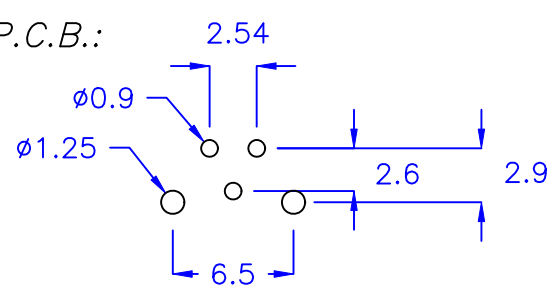


◎ HOLE IN P.C.B.:



- ◎Halogen Free 低鹵
- ◎ROHS 2.0
- ◎ROHS 六項 compliant

DRAW NO. PGAS032708 GJS

PLASTIC TOLERANCE:		
L ≤ 10	±0.2	
10 < L ≤ 30	±0.3	
30 < L ≤ 50	±0.5	
50 < L ≤ 100	±0.7	
100 < L ≤ 250	±1.2	
ABOVE 250	±1.5	

網頁圖示供參考，最終以品固公司正式圖面為主  
 The plastic tolerance is just for your reference; all the measurements and dimensions are according to the "DATA SHEET" issued by PINGOOD.

MATERIAL: N66 V2 or EQUIVALENT

COLOR: BLACK



品固企業股份有限公司  
 品基電子(東莞)有限公司  
 蘇州品基電子科技有限公司  
 東莞市鑽隆商貿有限公司  
 PINGOOD ENTERPRISE CO.,LTD.

PART NAME:	LED 座 LED HOUSING
PART NO:	EDL-03-N2B

A	VERSION
	1

SIZE	1
------	---

	UNIT	SCALE
	mm	

SHEET 1 OF 1