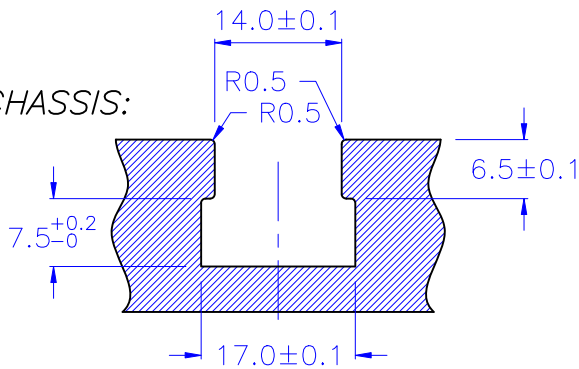




◎ HOLE IN CHASSIS:



◎ CHASSIS THICKNESS: 0.8~3.2 mm

- ◎Halogen Free 低鹵
- ◎ROHS 2.0
- ◎ROHS 六項 compliant

DRAW NO. PGAS015887 GJS

PLASTIC TOLERANCE: $L \leq 10 \quad \pm 0.2$ $10 < L \leq 30 \quad \pm 0.3$ $30 < L \leq 50 \quad \pm 0.5$ $50 < L \leq 100 \quad \pm 0.7$ $100 < L \leq 250 \quad \pm 1.2$ ABOVE 250 ± 1.5	網頁圖示供參考, 最終以品固公司正式圖面為主 The plastic tolerance is just for your reference; all the measurements and dimensions are according to the "DATA SHEET" issued by PINGOOD.	 品固企業股份有限公司 品基電子(東莞)有限公司 蘇州品基電子科技有限公司 東莞市鑽隆商貿有限公司 鑽隆有限公司 PINGOOD ENTERPRISE CO.,LTD.	PART NAME: 方型護線環 EDGE SADDLE		VERSION A SIZE 1A
	MATERIAL: N66 V0 or EQUIVALENT COLOR: NATURAL		PART NO.: DSF-10A-NOW	SHEET 1 OF 1	
	UNIT mm SCALE				