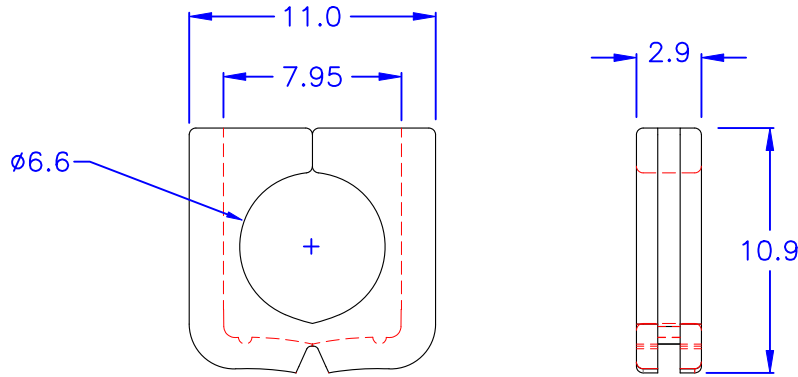


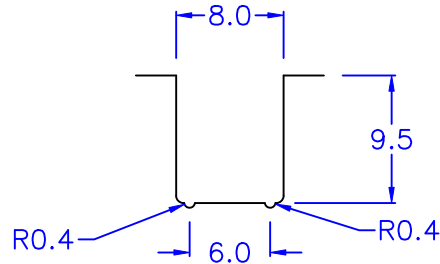
未閉合尺寸(供參考)



◎ 本圖面尺寸是在產品閉合狀態量測

◎ P.C.B. THICKNESS: 0.8 mm

◎ HOLE IN P.C.B.:



- ◎ Halogen Free 低鹵
- ◎ ROHS 2.0
- ◎ ROHS 六項 compliant

DRAW NO. PGAS029981

GJS

PLASTIC TOLERANCE:	
L ≤ 10	±0.2
10 < L ≤ 30	±0.3
30 < L ≤ 50	±0.5
50 < L ≤ 100	±0.7
100 < L ≤ 250	±1.2
ABOVE 250	±1.5

網頁圖示供參考,最終以品固公司正式圖面為主  
The plastic tolerance is just for your reference; all the measurements and dimensions are according to the "DATA SHEET" issued by PINGOOD.

MATERIAL: N66 V2 or EQUIVALENT  
COLOR: BLACK



品固企業股份有限公司  
品基電子(東莞)有限公司  
蘇州品基電子科技有限公司  
東莞市鑽隆商貿有限公司  
PINGOOD ENTERPRISE CO.,LTD.

PART NAME:  
方型護線環  
EDGE SADDLE

A SIZE	VERSION
	1

PART NO:  
DS-4RT-N2B

SHEET 1 OF 1

	UNIT	SCALE
	mm	