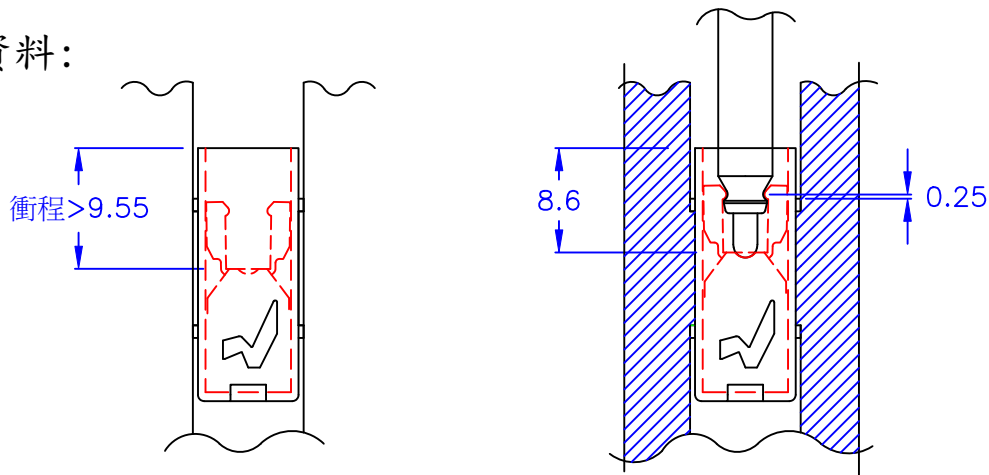


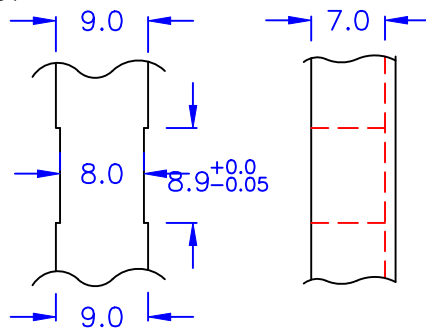
動作資料:



夾子欲下壓產生扣住功能時  
行程距離外殼頂端衝程至少需 9.55mm  
Maximum Push-IN Position

夾子扣住時  
夾子頂端位置  
距離外殼頂端 8.6mm  
Close Position

◎ HOLE IN DIMENSIONS:



◎ ROHS compliant

DRAW NO. PGAS024461

GJS

PLASTIC TOLERANCE:		
L ≤ 10	±0.2	
10 < L ≤ 30	±0.3	
30 < L ≤ 50	±0.5	
50 < L ≤ 100	±0.7	
100 < L ≤ 250	±1.2	
ABOVE 250	±1.5	

網頁圖示供參考, 最終以品固公司正式圖面為主  
The plastic tolerance is just for your reference; all the measurements and dimensions are according to the "DATA SHEET" issued by PINGOOD.

外殼材質: PC or EQUIVALENT  
夾子材質: N66 V2 or EQUIVALENT  
COLOR: BLACK



品固企業股份有限公司  
品基電子(東莞)有限公司  
蘇州品基電子科技有限公司  
鑽隆有限公司  
PINGOOD ENTERPRISE CO.,LTD.

PART NAME:  
門扣  
PUSH LATCH

PART NO:  
DL-550

A SIZE	VERSION
	1A

SHEET 1 OF 1