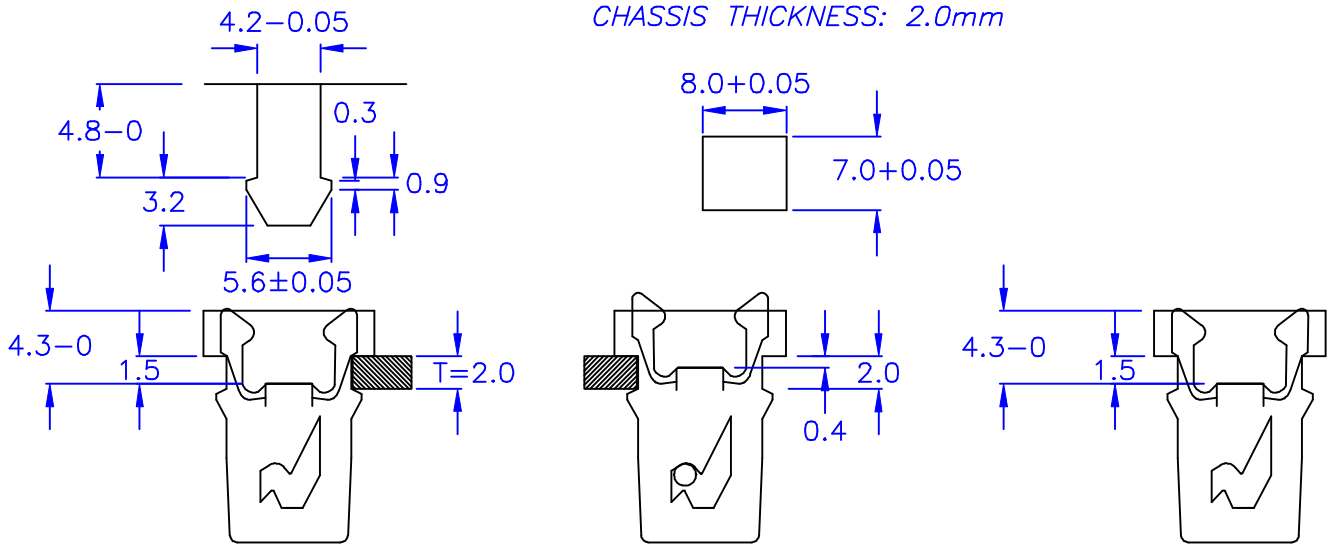


HOLE IN CHASSIS  
CHASSIS THICKNESS: 2.0mm



夾子欲下壓產生扣住功能時  
行程距離卡板頂端衝程至少需1.5mm

夾子扣住時  
夾子頂端位置  
距離卡板頂端0.4mm

夾子扣住後欲退出  
夾子需再下壓解除扣住功能  
行程距離卡板頂端衝程至少需1.5mm

◎常溫耐久承受力0.25kg

◎Halogen Free

DRAW NO. PGAS026469

GJS

PLASTIC TOLERANCE:	
L ≤ 10	±0.2
10 < L ≤ 30	±0.3
30 < L ≤ 50	±0.5
50 < L ≤ 100	±0.7
100 < L ≤ 250	±1.2
ABOVE 250	±1.5

網頁圖示供參考, 最終以品固公司正式圖面為主  
The plastic tolerance is just for your reference; all the measurements and dimensions are according to the "DATA SHEET" issued by PINGOOD.

外殼材質: PC V2 or EQUIVALENT  
夾子材質: N66 V2 or EQUIVALENT  
COLOR: BLACK



品固企業股份有限公司  
品基電子(東莞)有限公司  
蘇州品基電子科技有限公司  
鑽隆有限公司  
PINGOOD ENTERPRISE CO.,LTD.

PART NAME:

門扣  
PUSH LATCH

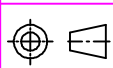
PART NO:

DL-400H

A  
SIZE

VERSION  
3B

SHEET 1 OF 1



UNIT  
mm

SCALE

表單號碼QF135