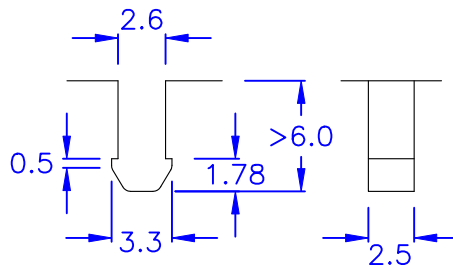
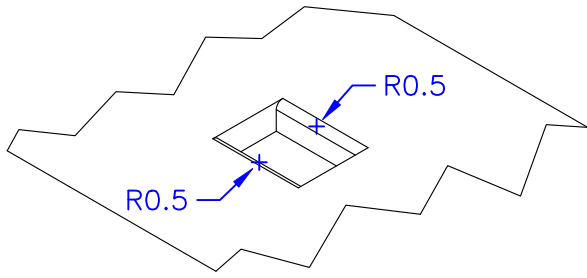
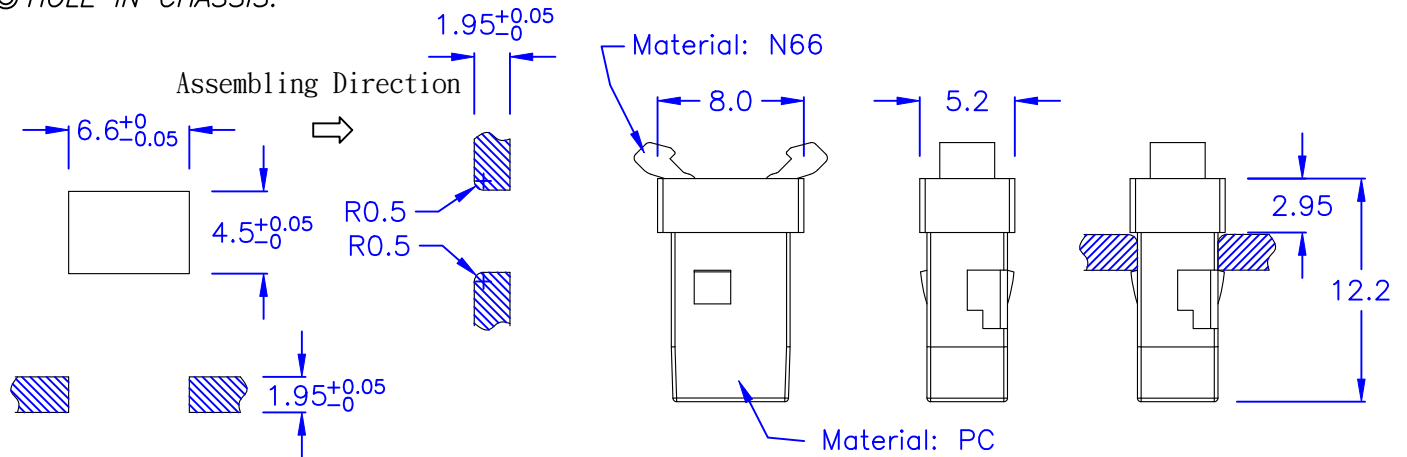


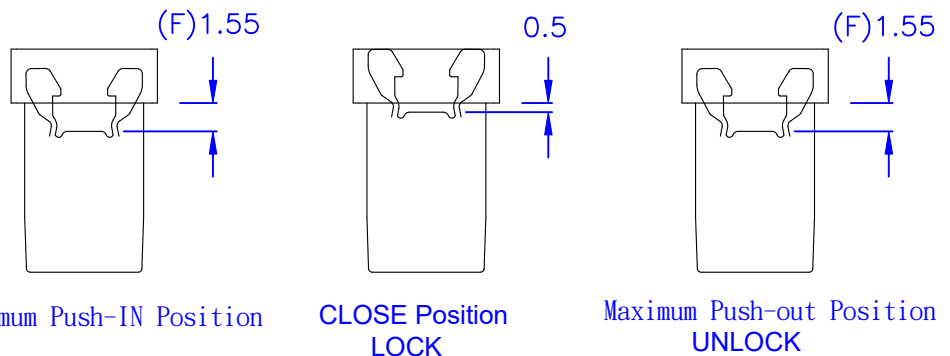
Push PIN



© HOLE IN CHASSIS:



© CHASSIS THICKNESS: $1.95+0.05$ mm



© The normal temperature durability 0.8 kg

DRAW NO. PGAS035302

GJS

PLASTIC TOLERANCE:	
$L \leq 10$	± 0.2
$10 < L \leq 30$	± 0.3
$30 < L \leq 50$	± 0.5
$50 < L \leq 100$	± 0.7
$100 < L \leq 250$	± 1.2
ABOVE 250	± 1.5

網頁圖示供參考, 最終以品固公司正式圖面為主
The plastic tolerance is just for your reference; all the measurements and dimensions are according to the "DATA SHEET" issued by PINGOOD.



品固企業股份有限公司
品基電子(東莞)有限公司
蘇州品基電子科技有限公司
東莞市鑽隆商貿有限公司
PINGOOD ENTERPRISE CO.,LTD.

HOUSING MATERIAL: PC V2 or EQUIVALENT

PART NAME:

CLIP MATERIAL: N66 V0 or EQUIVALENT

PUSH LATCH

COLOR: BLACK

PART NO:

DL-220C

A

VERSION

SIZE

2

	UNIT	SCALE
	mm	

SHEET 1 OF 1

表單號碼 QF135