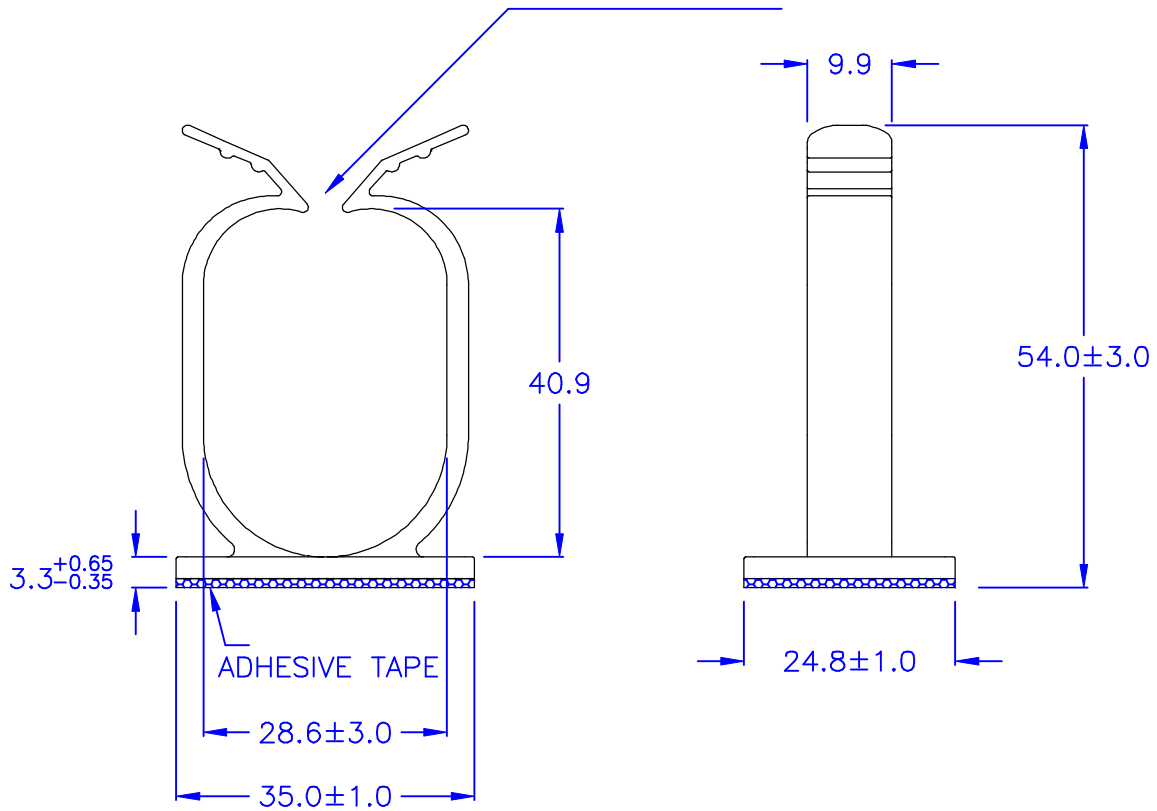


會因為變形而內縮  
甚至閉合,均屬正常



◎ 高度不含離形紙厚度

- ◎ Halogen Free 低鹵
- ◎ ROHS 2.0
- ◎ ROHS 六項 compliant

DRAW NO. PGAS031607

GJS

PLASTIC TOLERANCE:

$L \leq 10$	$\pm 0.2$
$10 < L \leq 30$	$\pm 0.3$
$30 < L \leq 50$	$\pm 0.5$
$50 < L \leq 100$	$\pm 0.7$
$100 < L \leq 250$	$\pm 1.2$
ABOVE 250	$\pm 1.5$

網頁圖示供參考,最終以品固公司正式圖面為主

The plastic tolerance is just for your reference; all the measurements and dimensions are according to the "DATA SHEET" issued by PINGOOD.

MATERIAL: N66 V2 or EQUIVALENT

COLOR: NATURAL

ADHESIVE TAPE: 3M (1600T) or EQUIVALENT

THICKNESS OF ADHESIVE TAPE :  $0.8^{+0.45}_{-0.13}$ mm



品固企業股份有限公司  
品基電子(東莞)有限公司  
蘇州品基電子科技有限公司  
東莞市鑽隆商貿有限公司  
PINGOOD ENTERPRISE CO.,LTD.

PART NAME:

隔離束線座  
WIRE SADDLE

PART NO:

CZW-28JK-NQW

A  
SIZE

VERSION

1

SHEET 1 OF 1

	UNIT	SCALE
	mm	