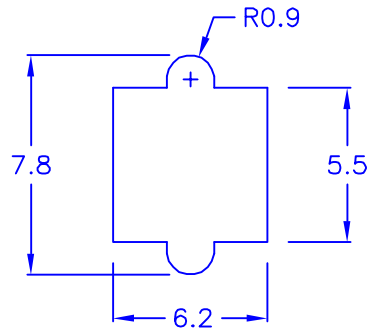


◎ HOLE IN CHASSIS:



◎ CHASSIS THICKNESS: 1.0~1.2 mm

◎ROHS compliant

DRAW NO. PGAS016132 GJS

PLASTIC TOLERANCE:		網頁圖示供參考，最終以品固公司正式圖面為主 The plastic tolerance is just for your reference; all the measurements and dimensions are according to the "DATA SHEET" issued by PINGOOD.
L≤10	±0.2	
10<L≤30	±0.3	
30<L≤50	±0.5	
50<L≤100	±0.7	
100<L≤250	±1.2	
ABOVE 250	±1.5	



品固企業股份有限公司
 品基電子(東莞)有限公司
 蘇州品基電子科技有限公司
 鑽隆有限公司
 PINGOOD ENTERPRISE CO.,LTD.

MATERIAL: N66 V2 or EQUIVALENT

COLOR: NATURAL

PART NAME:

隔離束線座
 WIRE SADDLE

PART NO:

CU-2C-N2W

A
 SIZE

VERSION

1

	UNIT	SCALE
	mm	

SHEET 1 OF 1