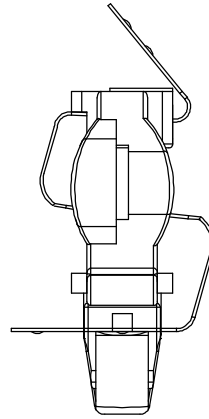
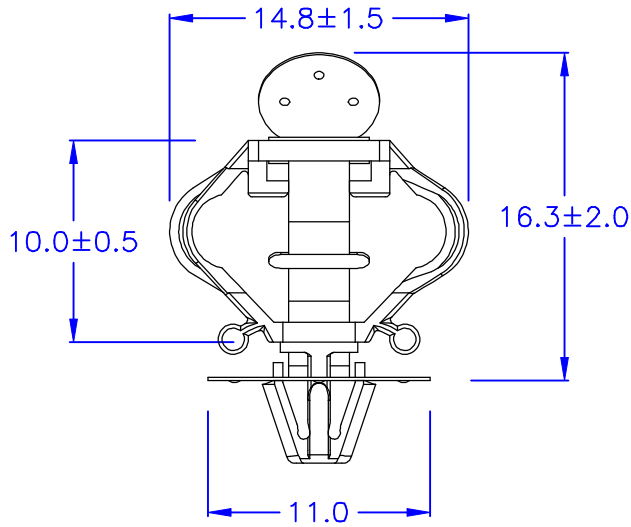
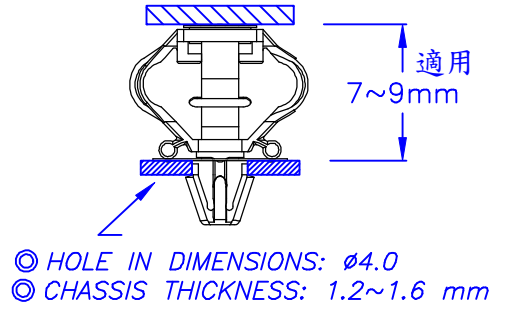


示意圖



<b>PLASTIC TOLERANCE:</b>	
L ≤ 10	±0.2
10 < L ≤ 30	±0.3
30 < L ≤ 50	±0.5
50 < L ≤ 100	±0.7
100 < L ≤ 250	±1.2
ABOVE 250	±1.5

網頁圖示供參考, 最終以品固公司正式圖面為主  
The plastic tolerance is just for your reference; all the measurements and dimensions are according to the "DATA SHEET" issued by PINGOOD.

**MATERIAL: N66 V0 or EQUIVALENT**

**COLOR: NATURAL**

**MATERIAL: 磷青銅鍍銀**

**COLOR: SILVER**

	UNIT	SCALE
	mm	

DRAW NO. PGAS022213

GJS



品固企業股份有限公司  
品基電子(東莞)有限公司  
蘇州品基電子科技有限公司  
鑽隆有限公司  
PINGOOD ENTERPRISE CO.,LTD.

PART NAME:

導電間隔柱

CONDUCTIVE SUPPORT

PART NO:

CQA-10-UHS

A

SIZE

VERSION

1

SHEET 1 OF 1