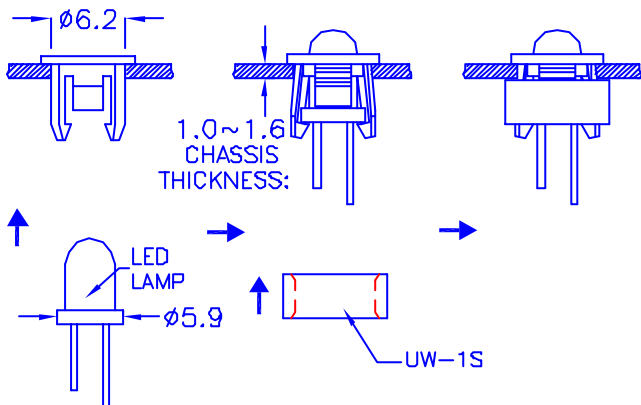


◎ HOLE IN CHASSIS:



◎ROHS compliant

DRAW NO. PGAS013324

GJS

PLASTIC TOLERANCE:
 $L \leq 10 \quad \pm 0.2$
 $10 < L \leq 30 \quad \pm 0.3$
 $30 < L \leq 50 \quad \pm 0.5$
 $50 < L \leq 100 \quad \pm 0.7$
 $100 < L \leq 250 \quad \pm 1.2$
 ABOVE 250 ± 1.5

網頁圖示供參考,最終以品固公司正式圖面為主
 The plastic tolerance is just for your reference; all the measurements and dimensions are according to the "DATA SHEET" issued by PINGOOD.



品固企業股份有限公司
 品基電子(東莞)有限公司
 蘇州品基電子科技有限公司
 鑽隆有限公司
 PINGOOD ENTERPRISE CO.,LTD.

MATERIAL: N66 V2 or EQUIVALENT
COLOR: BLACK

PART NAME:

LED 座
 LED HOUSING

A

REV.

SIZE

4

PART NO.:

CLED-1S

SHEET 1 OF 1

UNIT	SCALE
mm	

EF0404505