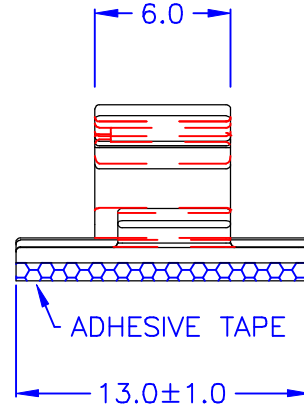
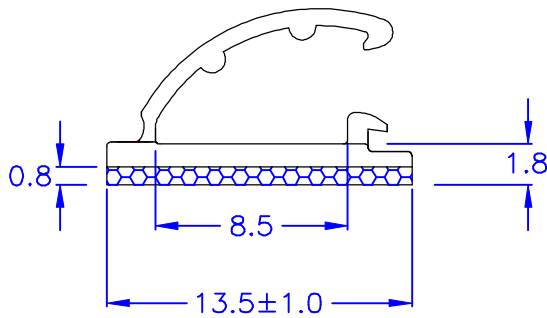
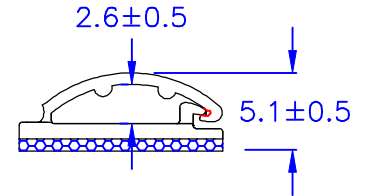


◎ 產品扣合後參考尺寸



◎ 高度不含離形紙厚度

◎Halogen Free 低鹵

DRAW NO. PGAS025592

GJS

PLASTIC TOLERANCE:	
L ≤ 10	±0.2
10 < L ≤ 30	±0.3
30 < L ≤ 50	±0.5
50 < L ≤ 100	±0.7
100 < L ≤ 250	±1.2
ABOVE 250	±1.5

網頁圖示供參考, 最終以品固公司正式圖面為主

The plastic tolerance is just for your reference; all the measurements and dimensions are according to the "DATA SHEET" issued by PINGOOD.

MATERIAL: N66 V2 or EQUIVALENT

COLOR: BLACK

ADHESIVE TAPE: 3M (1600T) or EQUIVALENT

THICKNESS OF ADHESIVE TAPE : 0.8mm



品固企業股份有限公司
品基電子(東莞)有限公司
蘇州品基電子科技有限公司
鑽隆有限公司
PINGOOD ENTERPRISE CO.,LTD.

PART NAME:

電線固定座
WIRE MOUNT

A

SIZE

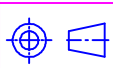
VERSION

1

PART NO:

CHW-4NJ-NQB

SHEET 1 OF 1



UNIT
mm

SCALE

表單號碼QF135