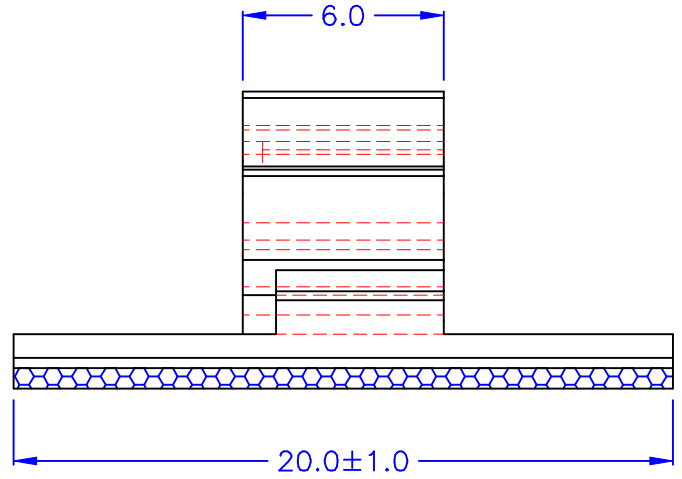
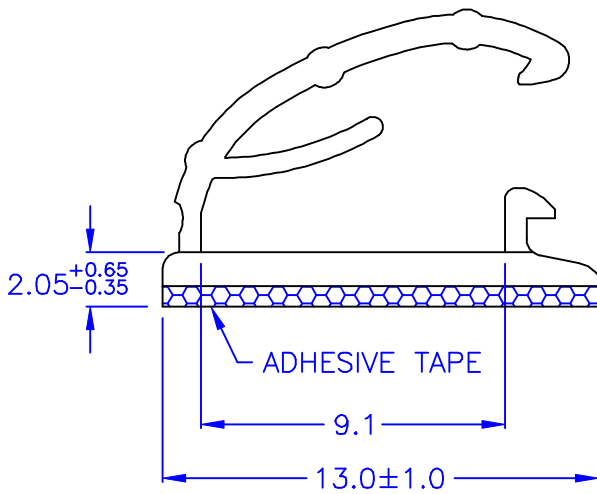
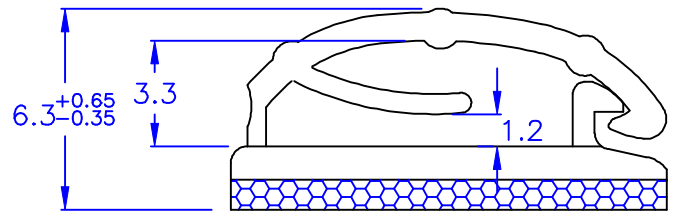


◎ 產品扣合後參考尺寸



◎ 高度不含離形紙厚度

- ◎ Halogen Free 低鹵
- ◎ ROHS 2.0
- ◎ ROHS 六項 compliant

DRAW NO. PGAS031393

GJS

| | | | |
|---|--|--|--|
| PLASTIC TOLERANCE: | | | 網頁圖示供參考, 最終以品固公司正式圖面為主 The plastic tolerance is just for your reference; all the measurements and dimensions are according to the "DATA SHEET" issued by PINGOOD. |
| L ≤ 10 ± 0.2 | | | |
| 10 < L ≤ 30 ± 0.3 | | | |
| 30 < L ≤ 50 ± 0.5 | | | |
| 50 < L ≤ 100 ± 0.7 | | | |
| 100 < L ≤ 250 ± 1.2 | | | |
| ABOVE 250 ± 1.5 | | | |
| MATERIAL: N66 V2 or EQUIVALENT | | | |
| COLOR: NATURAL | | | |
| ADHESIVE TAPE: 3M (1600T) or EQUIVALENT | | | |
| THICKNESS OF ADHESIVE TAPE : 0.8 ^{+0.15} _{-0.15} mm | | | |



品固企業股份有限公司
品基電子(東莞)有限公司
蘇州品基電子科技有限公司
東莞市鑽隆商貿有限公司
PINGOOD ENTERPRISE CO.,LTD.

PART NAME:

電線固定座
WIRE MOUNT

PART NO:

CHW-2K-NQW

A
SIZE

VERSION
4C

SHEET 1 OF 1

表單號碼QF135