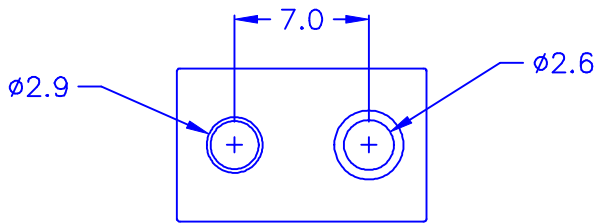
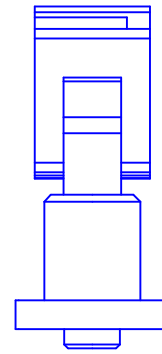
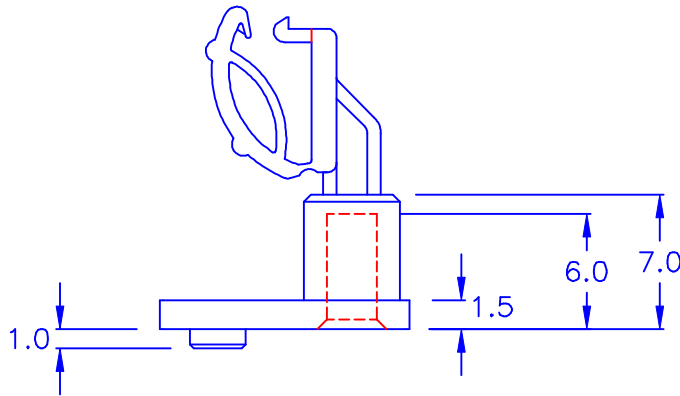
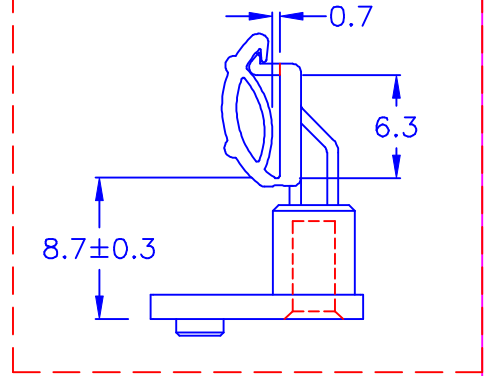
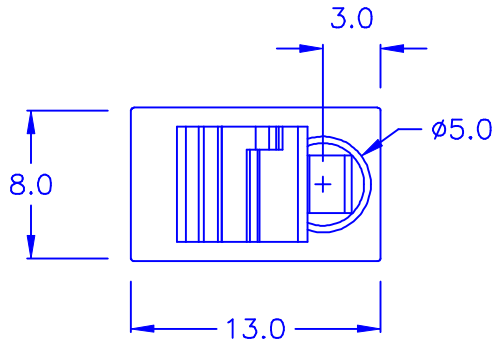
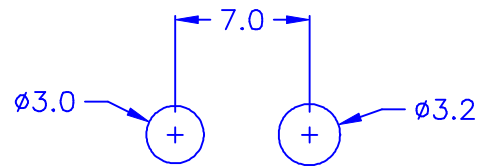


◎ 產品扣合後參考尺寸



◎ HOLE IN CHASSIS:



- ◎Halogen Free 低鹵
- ◎ROHS 2.0
- ◎ROHS 六項 compliant

DRAW NO. PGAS021241

GJS

PLASTIC TOLERANCE:

L≤10	±0.2
10<L≤30	±0.3
30<L≤50	±0.5
50<L≤100	±0.7
100<L≤250	±1.2
ABOVE 250	±1.5

網頁圖示供參考, 最終以品固公司正式圖面為主

The plastic tolerance is just for your reference; all the measurements and dimensions are according to the "DATA SHEET" issued by PINGOOD.

MATERIAL: N66 V2 or EQUIVALENT

COLOR: NATURAL



品固企業股份有限公司
品基電子(東莞)有限公司
蘇州品基電子科技有限公司
鑽隆有限公司
PINGOOD ENTERPRISE CO.,LTD.

PART NAME:

電線固定座
WIRE MOUNT

PART NO:

CAF-8A-N2W

A	VERSION
	1A
SIZE	

SHEET 1 OF 1

	UNIT	SCALE
	mm	