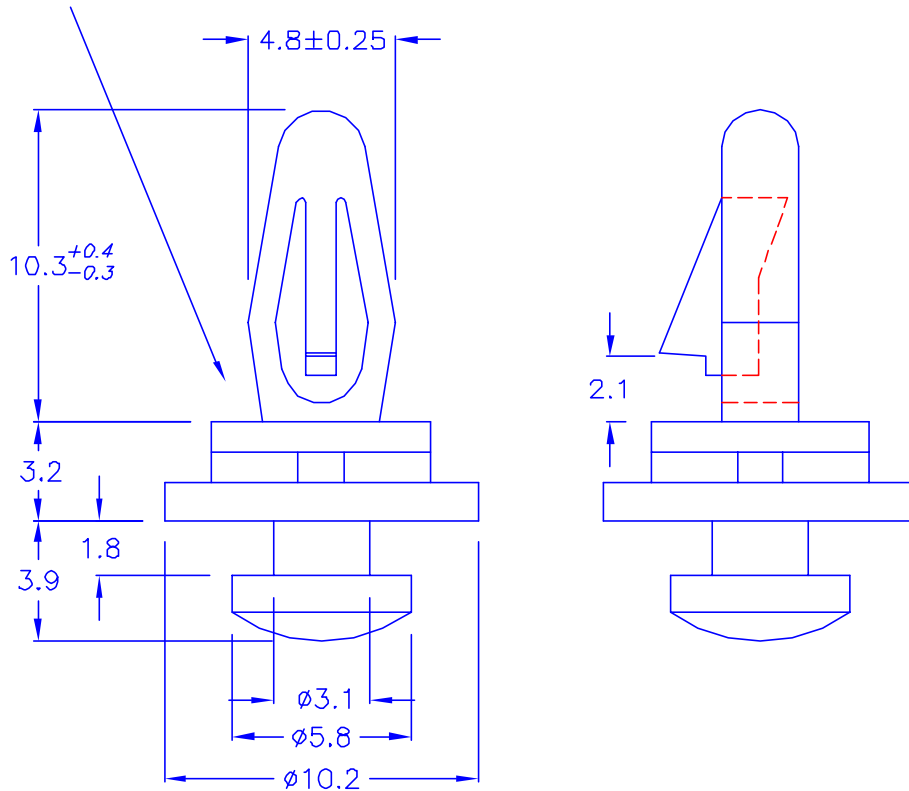
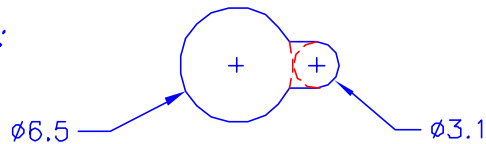


- ◎ HOLE IN P.C.B: $\phi 4.0$ mm
- ◎ P.C.B THICKNESS: 1.6 mm



◎ HOLE IN CHASSIS:



◎ CHASSIS THICKNESS: 1.0~1.7 mm

- ◎HF
- ◎ROHS compliant

DRAW NO. PGAS017183

GJS

PLASTIC TOLERANCE:	
$L \leq 10$	± 0.2
$10 < L \leq 30$	± 0.3
$30 < L \leq 50$	± 0.5
$50 < L \leq 100$	± 0.7
$100 < L \leq 250$	± 1.2
ABOVE 250	± 1.5

網頁圖示供參考, 最終以品固公司正式圖面為主
The plastic tolerance is just for your reference; all the measurements and dimensions are according to the "DATA SHEET" issued by PINGOOD.



品固企業股份有限公司
品基電子(東莞)有限公司
蘇州品基電子科技有限公司
鑽隆有限公司
PINGOOD ENTERPRISE CO.,LTD.

MATERIAL: N66 V2 or EQUIVALENT
COLOR: NATURAL

PART NAME:

PC板間隔柱
SPACER SUPPORT

A

SIZE

VERSION

5A

PART NO:

AC-003-N2W

SHEET 1 OF 1

UNIT	SCALE
mm	

表單號碼QF135