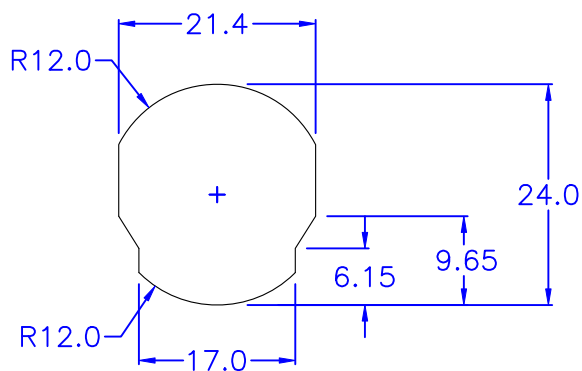


◎ HOLE IN CHASSIS:



◎ CHASSIS THICKNESS: 1.0 mm

- ◎Halogen Free 低鹵
- ◎ROHS 2.0
- ◎ROHS 六項 compliant

DRAW NO. PGAS032439 GJS

<b>PLASTIC TOLERANCE:</b>		網頁圖示供參考,最終以品固公司正式圖面為主 The plastic tolerance is just for your reference; all the measurements and dimensions are according to the "DATA SHEET" issued by PINGOOD.
L ≤ 10	±0.2	
10 < L ≤ 30	±0.3	
30 < L ≤ 50	±0.5	
50 < L ≤ 100	±0.7	
100 < L ≤ 250	±1.2	<b>MATERIAL: N66 V2 or EQUIVALENT</b>
ABOVE 250	±1.5	<b>COLOR: BLACK</b>



品固企業股份有限公司  
品基電子(東莞)有限公司  
蘇州品基電子科技有限公司  
東莞市鑽隆商貿有限公司  
PINGOOD ENTERPRISE CO.,LTD.

**PART NAME:**  
電源線扣  
STRAIN RELIEF BUSHING

<b>A</b>	VERSION
	1A
SIZE	

**PART NO:**  
8R-2QT-N2B

SHEET 1 OF 1

	UNIT	SCALE
	mm	