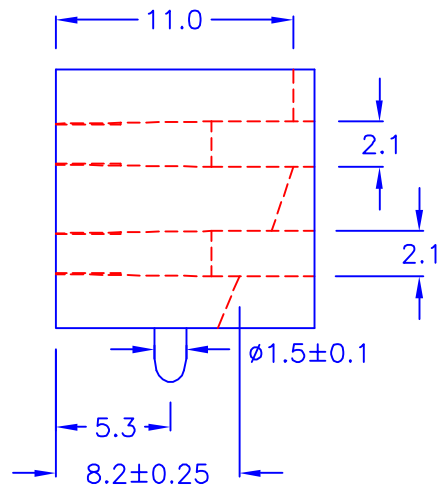
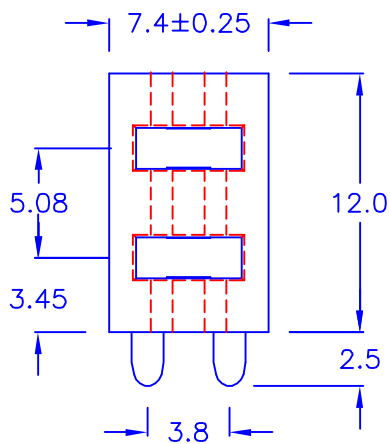
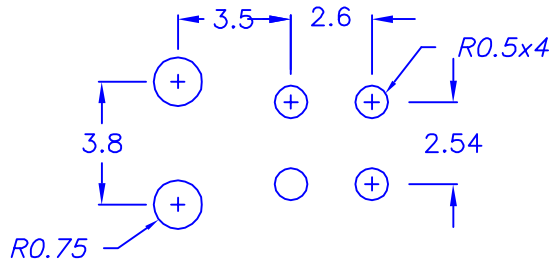


◎ HOLE IN P.C.B:



◎HF
◎ROHS compliant

DRAW NO. PGAS016593

GJS

PLASTIC TOLERANCE:	
L ≤ 10	±0.2
10 < L ≤ 30	±0.3
30 < L ≤ 50	±0.5
50 < L ≤ 100	±0.7
100 < L ≤ 250	±1.2
ABOVE 250	±1.5

網頁圖示供參考, 最終以品固公司正式圖面為主
The plastic tolerance is just for your reference; all the measurements and dimensions are according to the "DATA SHEET" issued by PINGOOD.



品固企業股份有限公司
品基電子(東莞)有限公司
蘇州品基電子科技有限公司
鑽隆有限公司
PINGOOD ENTERPRISE CO.,LTD.

MATERIAL: N66 V2 or EQUIVALENT
COLOR: BLACK

PART NAME:
LED座
LED HOUSING

A SIZE	VERSION
	1A

PART NO:
2LEA-5

SHEET 1 OF 1

	UNIT	SCALE
	mm	