

品固品基

PINGOOD



PLASTIC ELECTRONIC
PRODUCTS **2019**
電子電腦塑膠零件
固扣件專業製造工廠 **38th**



專業電子·電機·電腦週邊塑膠配件·研發·設計·製造的專家



PINGOOD ENTERPRISE CO.,LTD.

NO.8, ALLEY 1, LANE 768, SEC 4 PATEH RD., TAIPEI, 11577 TAIWAN

TEL: 886-2-27885767 FAX: 886-2-27885768 <http://www.pingood.com.tw>

CHINA FACTORY: SUZHOU
蘇州品基電子科技有限公司



HEADQUARTER: TAIPEI, TAIWAN
品固企業股份有限公司 台北總公司



CHINA FACTORY: DONGGUAN
品基電子(東莞)有限公司



TAIWAN FACTORY: ZHONGLI
品固企業股份有限公司 中壢工廠



公司簡介

公司名稱：品固企業股份有限公司 (東莞品基、蘇州品基)

設立時間：1982年6月15日(成立38年).

資本額：新台幣126,000,000元.

地址：台北市南港區八德路四段768巷1弄8號。(品固大樓)

電話：886-2-27885767.

傳真：886-2-27885768.

部門分類：總經理室,業務部,生產管理部,財務部,研發部,資材部,ERP部門,MIS部門,
模具製造部,品管部,廠務部.

台北公司面積：2800平方公尺

中壢工廠面積：12000平方公尺。

模具廠面積：800平方公尺。

大陸東莞工廠面積：36000平方公尺。

大陸東莞工廠地址：廣東省東莞市塘廈鎮平山188工業區果岭路6號。

大陸蘇州工廠面積：12000平方公尺。

大陸蘇州工廠地址：江蘇省蘇州市吳中區橫涇街道天鵝蕩路2986號。

設備：射出成型機，CNC放電加工機，CNC線割機，CNC綜合加工機...etc.

測試及各種檢驗儀器：3D掃描儀，X-Ray光譜儀，氣相色譜質譜聯用儀，

環境實驗機，影像量測儀，顯微鏡投影機，繪圖機，

萬能破壞機，高阻抗測試機，拉力機，自動測試機...etc.

國內主要客戶：各大股票上市上櫃之電腦電子產品製造廠及相關產品製造商。

國外主要客戶：DELL, HITACHI, SONY, HP, SHARP, ...etc.

海外行銷：本公司海外行銷遍及五大洲數十國。

產品認證：UL.

公司認證：ISO9001.

工廠認證：ISO9001, ISO14001認證。



*本公司產品未標示單位者皆採mm之公制單位。

*所有尺寸及規格均以本公司之產品承認書為主,目錄尺寸為輔。

*歡迎各界大鑒不吝來電賜教,本公司定當竭誠為您服務。

*製版日期：2018年12月31日

Company: PINGOOD Enterprise Co., Ltd.

Founded: June 15 th, 1982. (38 th Anniversary)

Address: No.8, Alley 1, Lane 768, Sec.4 Pateh Rd., Taipei 115, Taiwan

Telephone: 886-2-27885767

FAX: 886-2-27885768

Department: Sales&Marketing, R&D, Finance, Production, Molding, Q.C, MIS,ERP...etc.

Capital: US\$4,200,000.00

Taipei ,Taiwan HQ: 2,800 m².

Company Owned Factory :

Chungli ,Taiwan : 12,000 m².

Mold Factory Area: 800 m².

Dongguan ,China : 36,000 m².

Suzhou ,China : 12,000 m².

In-house Design, Measure, Packing and Testing team.

Sales Territory: Worldwide.

Certificate: ISO9001, ISO14001, and UL.

All measures are in metric unit of "mm" scale except noted .

This catalogue is only subsidiary for your reference; all the measurements and dimensions are according to the "DATA SHEET" issued by PINGOOD.

Detailed information will be provided upon request, please kindly contact us via email at pingood@pingood.com.tw !

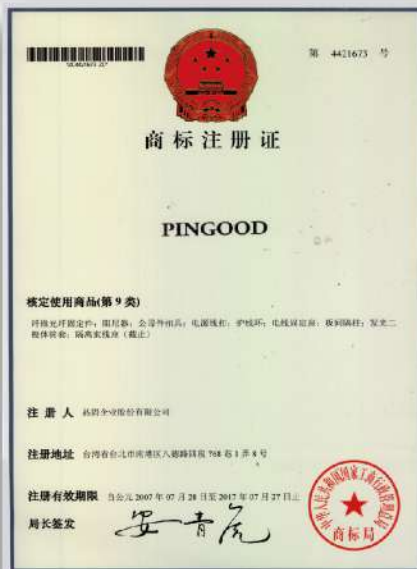
Edited Date: December 31 st , 2018

客戶對我們的肯定與鼓勵

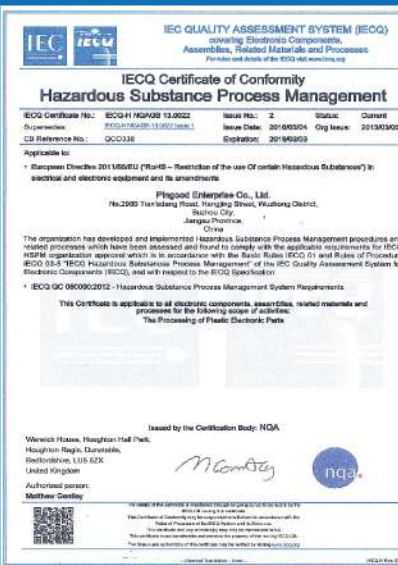
Appreciation and Encouragement from Customers



專利開發 Patent Development



各項證書



ISO9001品質管理系統政策:

全員參與、客戶滿意、員工高興、永續經營。

品固企業致力於品質持續改善的過程，以符合 ISO 9001 品質管理系統之需求，為此目標我們必須提供最優先順序的產品和服務品質，以有效的品質管理系統持續改善，來實現海內外廣大的客戶群滿意的品質保證。

ISO14001環境管理系統政策:

節省能源減少廢棄物、減低污染回收再利用

環境保護是品固企業身為地球公民一份子的重要責任。品固企業向其所有員工、客戶及社會大眾承諾，每一管理運作均以可靠的、符合環境保護的方式進行。製程中所產生的各項污染、廢棄物的預防及減低，以及資源回收再利用，是我們對環境保護持續改善的主要方向。

QC 080000產品無有害物質管理系統政策:

符合法規預防汙染、綠色採購持續改善。

面對當前全球環境保護趨勢及各項環境保護法令之持續要求，品固企業持續以最新的技術及不間斷之管理制度，善盡地球環境保護的一份心力，為社會及企業永續經營而努力。品固企業在設計初期便將環境管理物質納入設計規劃重點，嚴格要求供應鏈提供的原物料，必須遵守國際相關環保法規，以及品固企業訂定的環境管理物質技術標準以及管制內容。

品固企業環境管理物質沿革：

- 1.自2006年起，本公司所有產品已全面導入符合歐盟RoHS指令的要求，環保檢測實驗室亦同時成立。
- 2.2009年起，因應國際綠色組織提出鹵素化合物對於人體及環境具有潛在危害的訴求，開始導入無鹵素(Halogen Free, HF)產品。
- 3.2009年起，歐盟REACH法規公布，開始與供應商合作調查產品中化學成分，確保產品中不含REACH法規中所規範的高關注物質(Substance of Very High Concern, SVHC)。
- 4.2010年，鑑於國際間關注非洲地區所開採之衝突礦產(錫、金、鉍、鎢)於電子電機產品中的使用狀況，品固企業產品中並不含有上述成分，亦要求供應商需於材料承認階段，即承諾產品中不可使用衝突礦產。

品固企業對碳排放減量之承諾

品固企業深知氣候變遷是因人類活動產生大量溫室氣體，造成了地球溫度的上升，做為地球公民的一份子，必須要善盡社會責任！

品固企業：

- 1.建立有效的碳/溫室氣體排放量的盤查
- 2.從減碳思維更進一步提昇整體作業流程
- 3.在生產的過程中減少碳排放
- 4.對廠內製程進行碳管理



品固企業推動碳/溫室氣體減量及改善計畫，持續對環境保護盡一份心力，以提供環保、減碳的綠色產品給廣大的海內外客戶，期許能帶來企業永續經營的利器及成為節能減碳之業界先驅者，與大家一同邁向低碳家園之路。

品固企業從2013推行節能至今，

- (1) 每間員工宿舍安裝冷氣，使員工能得到更好的休息。
- (2) 生產車間安裝空調，使員工可以在更舒適的環境下工作。
- (3) 太陽能發電，對地球環保盡一份責任。

ISO9001 Quality Management System

We continue following the most effective quality management system to have continuous improvements in the quality of our product & service to achieve our domestic and global customers' satisfaction.

ISO14001 Environmental Management System

Environmental Protection is all our responsibilities. PINGOOD has also adopted the internal controls to have ISO 14001 compliance from the resources and production processes to meet energy saving, reduction in waste and consumption of resources and minimize the impact to the environmental for a long term viability of businesses.

QC 080000 Hazardous Substance Process Management System

Today, we are facing the ongoing global environmental protection requirements. PINGOOD has implemented with the latest technology and continuous improvement management system to meet the environmental friendly from the design phase, material from the supply chains, to mass production all comply with the updated global environmental regulations.

Milestone of Green procurement of sources:

2006 Meet RoHS Compliant

2009 Meet REACH Requirement & Implement to Halogen Free products.

2010 Commit not to use conflict minerals

Carbon footprint Verification

In 2012, PINGOOD has conducted effective carbon/GHG emission verification to further enhance in the overall production process flow to reduce carbon emissions and done the extra environmental protection efforts toward a long term business goal.

模具部 Molding Division



CNC Machining center



FANUC CNC Machining center



Sodick CNC Electric discharge machine



CNC Electric discharge machine



Seibu Slow wire cutting machine



Slow wire cutting machine



Metal Cutting Machine Tools



Metal Cutting Machine Tools

成型部 Injection Division



Japan TOYO Fully Electric Injection Molding Machine



Vertical Injection Molding Machine



Japan TOYO Fully Electric Injection Molding Machine



Double injection machine



Japan TOYO Fully Electric Injection Molding Machine



Injection Division Clean room



Injection Division



Injection Division



Sales and Marketing Division



Sales and Marketing Division



Taiwan Factory: ZHONGLI 中壢



Taiwan Factory: ZHONGLI 中壢



Guangdong Factory:
DONGGUAN 東莞



Guangdong Factory:
DONGGUAN 東莞

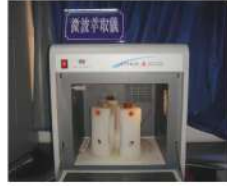
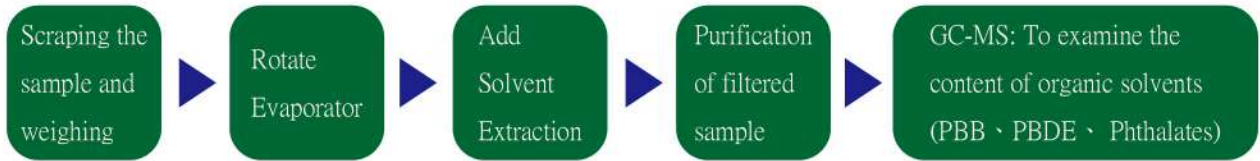


Suzhou Factory: SUZHOU 蘇州

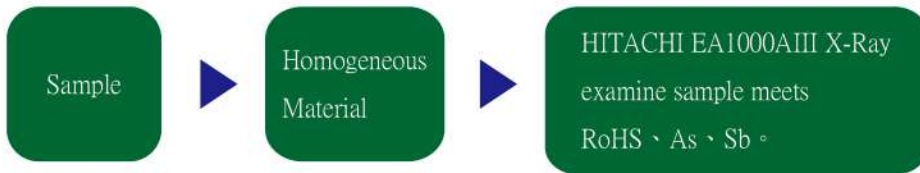


Suzhou Factory: SUZHOU 蘇州

RoHS laboratory (GC-MS) Analysis Process

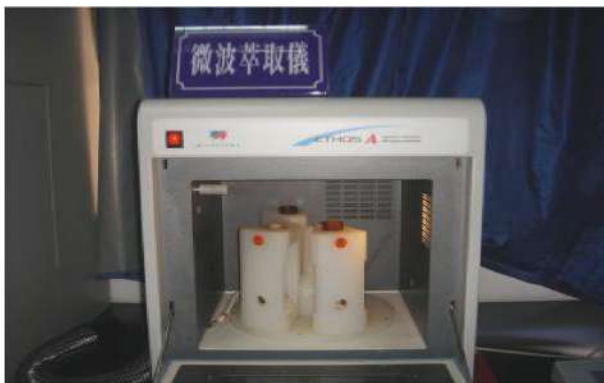


RoHS laboratory (X-Ray) Inspection Process



In order to fulfill the responsibility for environmental protection, the environmental friendly substances are tested and checked.

The HITACHI EA1000A III X-ray Fluorescence Analyzer: Meet the EU RoHS Directive and the rapid detection and analysis of hazardous substances in electrical and electronic product, e.g.: Cd, Pb, Hg, Cr, Br, As, Sb, etc. Complying with Halogen free requirement, we use XRF (X-ray Fluorescence Spectrometer) to analysis the content to meet customer requirement. GC-MS (Gas chromatography - mass spectrometry) for the detection of PBB, PBDE, Phthalates in organic solvents.



Microwave Extracted Device



Microwave Extracted Device

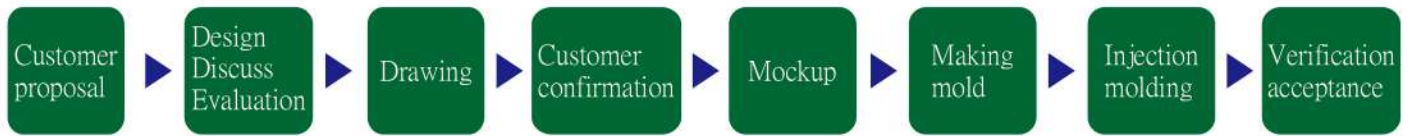


HITACHI EA1000A III X-ray
Fluorescence Analyzer

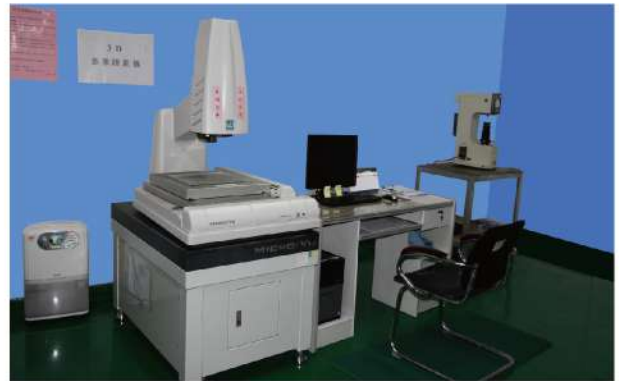


GC-MS
(Gas chromatography - mass spectrometry)

— 產品開發流程 Product Development Process —



Design Team Joint development



3D Laser Scanner Micro Vu Vertex 311HC Apple Designated machine



Verification acceptance



Rapid prototyping machine



3D Printer sample

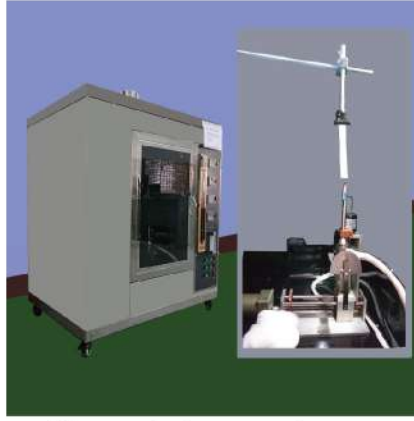


Rapid prototyping sample

實驗室儀器 Laboratory equipment



Destructive testing machine



Flame test apparatus



Programmable Temperature and Humidity Chamber



Colorimeter



Image Dimension Measurement System



2.5D Non-Contact Video Measuring System



Tensile testing machine



3D printer



Mechanical Impact tester



Rockwell Type Hardness tester



Constant speed and force tester



Melt Flow Indexer



Education and training



Education and training



Custom-made products



Operating system



Automatic packaging machine



Ultrasonic cleaner



Mold Storage Room



Production assembly processing

PINGOOD



1-30 	1-31 	1-32 	1-33 
1-34 	1-35 	1-36 	1-37 
1-38 	1-39 	1-40 	1-41 
1-42 	1-43 	1-44 	1-45 
1-46 	1-47 	1-48 	1-49 
1-50 	1-51 	1-52 	響應環保 減碳計畫

一個優秀的團隊文化釀造出優秀的人
愛崗敬業、開拓進取、創新服務、放眼未來

線扣,護線環,塞環 BUSHING,SNAP BUSHING

PINGOOD



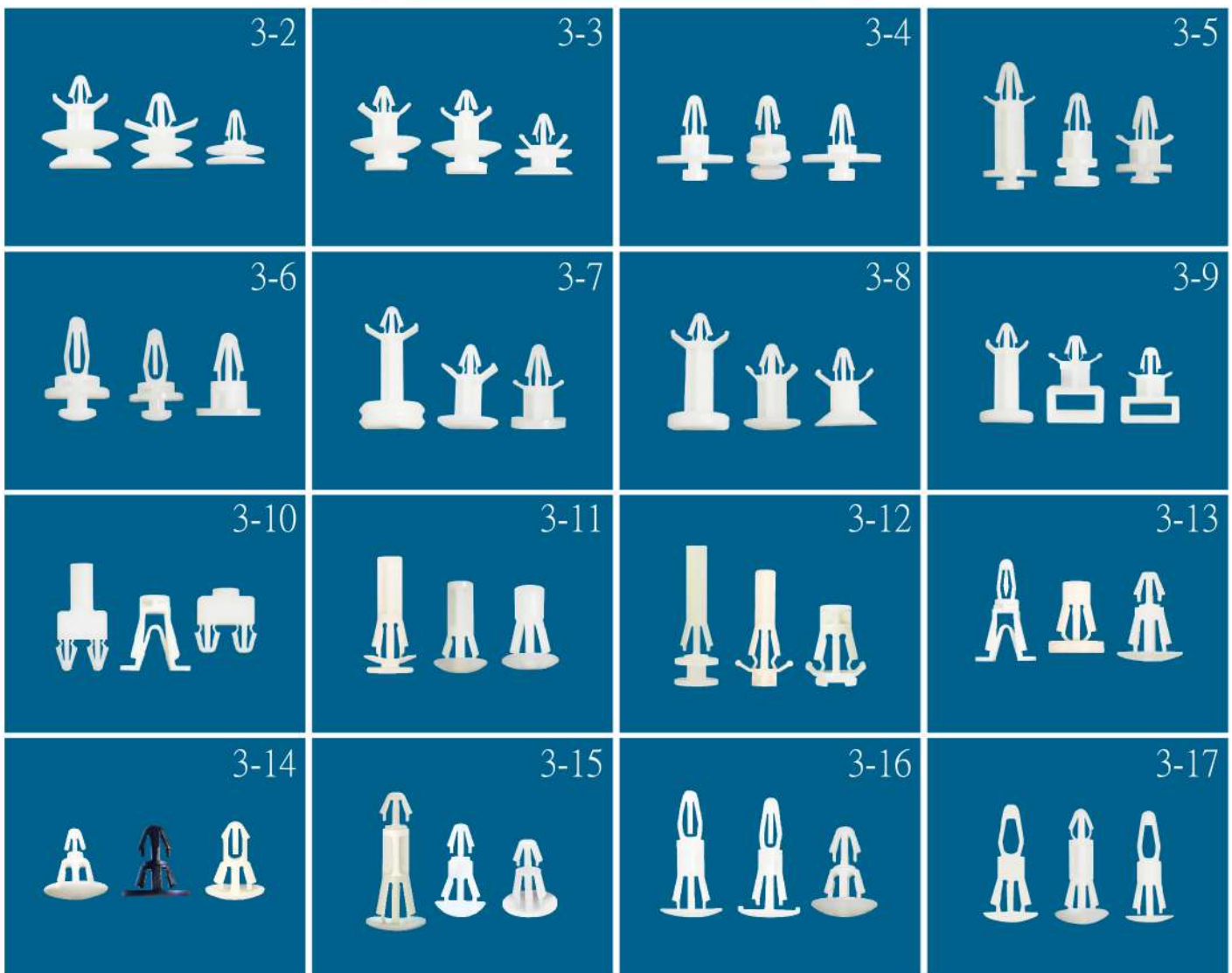
線扣,護線環,塞環 BUSHING,SNAP BUSHING

PINGOOD



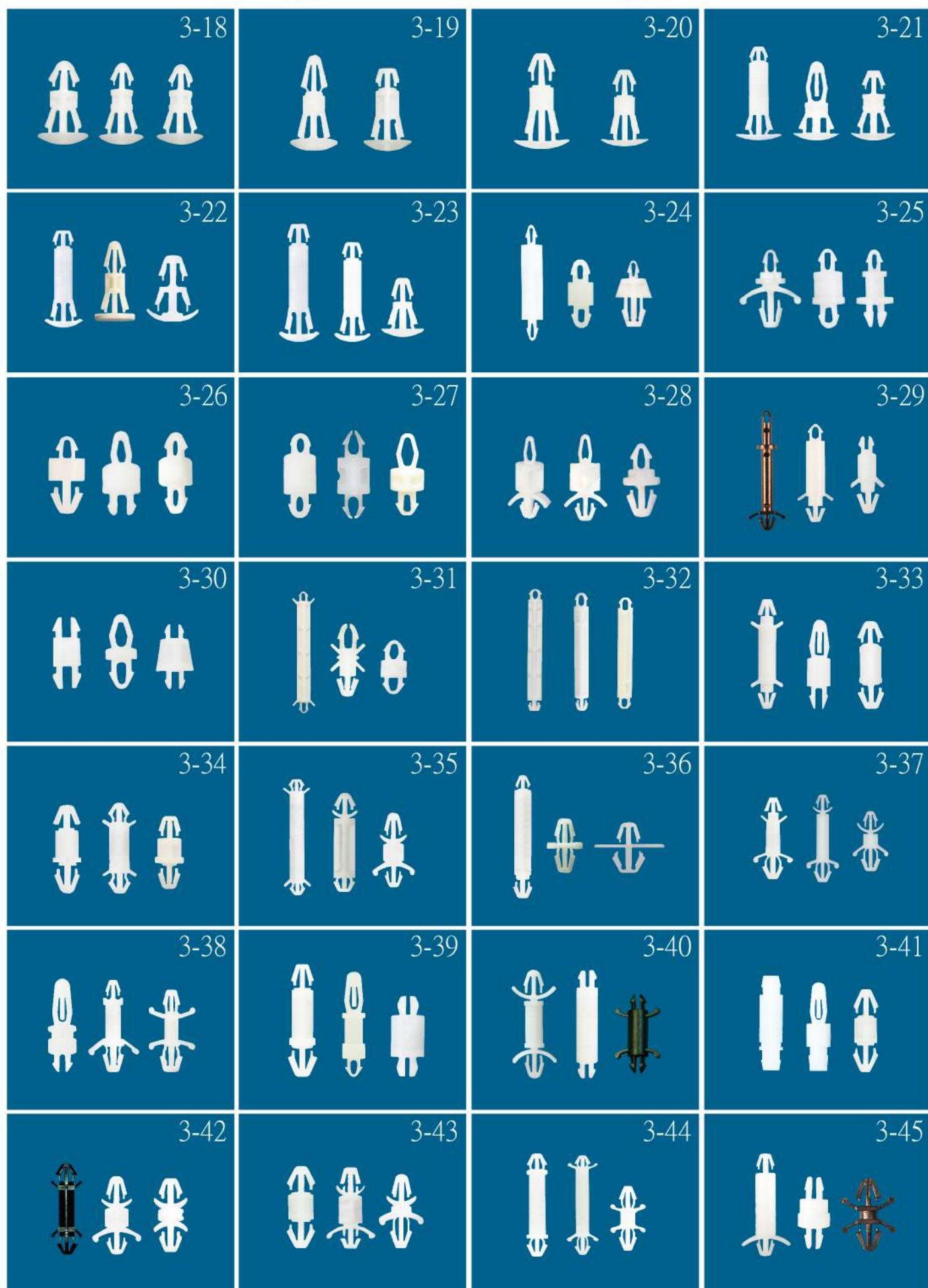
P.C.板間隔柱 SPACER SUPPORT

PINGOOD



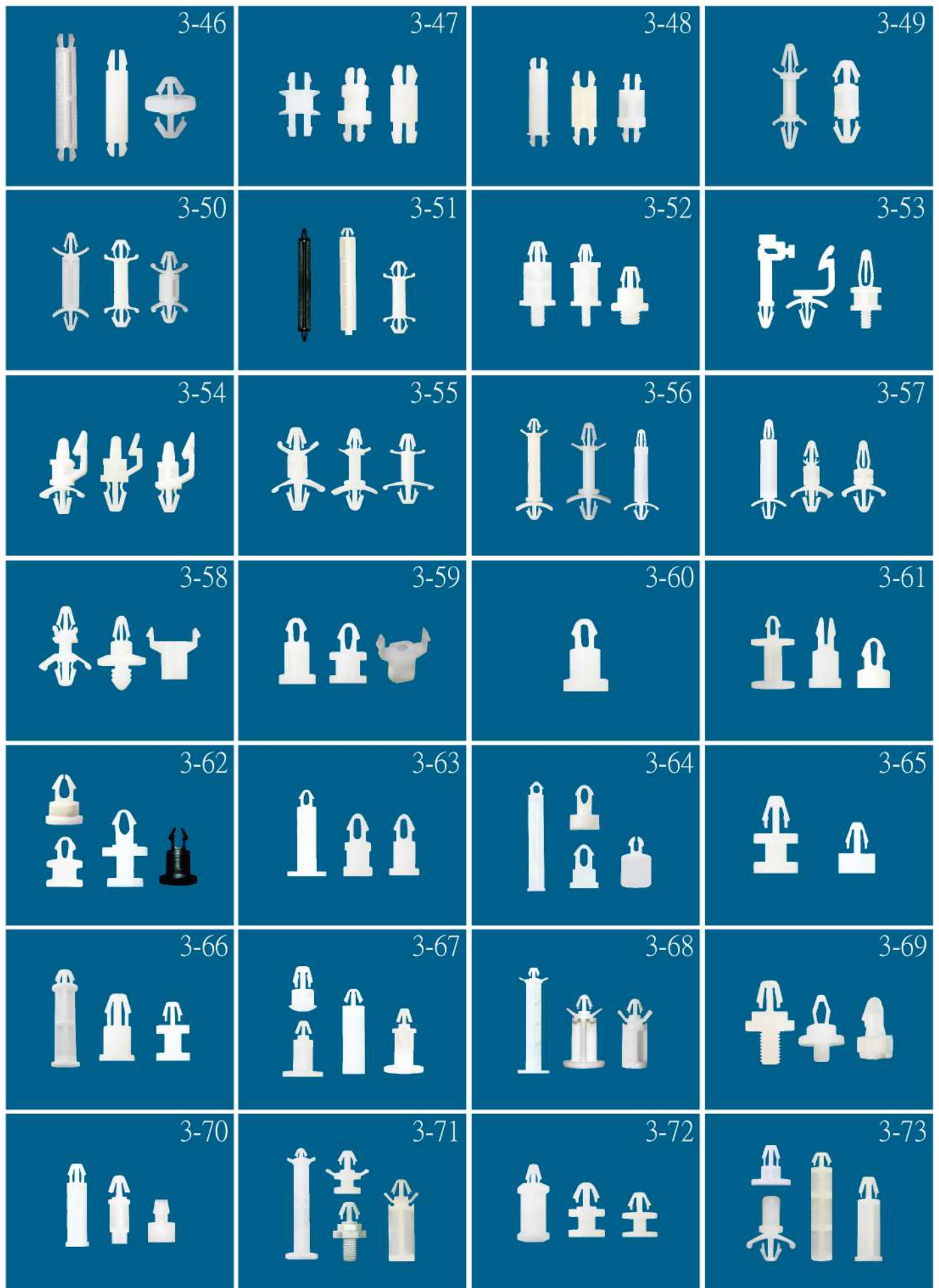
P.C.板間隔柱SPACER SUPPORT

PINGOOD



P.C.板間隔柱SPACER SUPPORT

PINGOOD



P.C.板間隔柱SPACER SUPPORT

PINGOOD

3-74



3-75



3-76



3-77



3-78



3-79



3-80



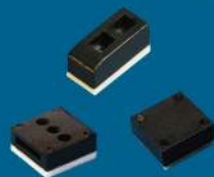
3-81



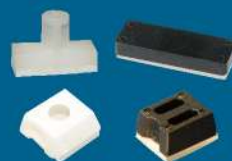
3-82



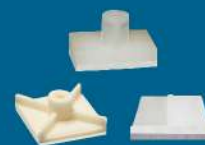
3-83



3-84



3-85



3-86



3-87



3-88



3-89



3-90



3-91



3-92



3-93



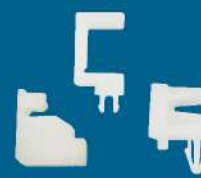
3-94



3-95



3-96



3-97



3-98



3-99



3-100



3-101



P.C.板間隔柱SPACER SUPPORT

PINGOOD

3-102



3-103



3-104



3-105



3-106



3-107



3-108



3-109



3-110



3-111



3-112



3-113



3-114



3-115



3-116



3-117



3-118



3-119



3-120



3-121



3-122



3-123



3-124



3-125



3-126



3-127



3-128



3-129



P.C.板間隔柱SPACER SUPPORT

PINGOOD

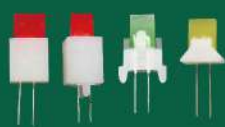
<p>3-130</p> 	<p>3-131</p> 	<p>3-132</p> 	<p>3-133</p> 
<p>3-134</p> 	<p>3-135</p> 	<p>3-136</p> 	<p>3-137</p> 
<p>3-138</p> 	<p>3-139</p> 	<p>3-140</p> 	<p>3-141</p> 
<p>3-142</p> 	<p>3-143</p> 	<p>3-144</p> 	<p>3-145</p> 
<p>3-146</p> 	<p>3-147</p> 	<p>3-148</p> 	<p>3-149</p> 
<p>3-150</p> 	<p>沒有完美的個人，只有完美的團隊 團隊精神是企業文化的核心</p>		

挑戰自我，永不放棄，只有不完美的產品
沒有挑剔的客戶，每天進一步，踏上成功路

LED 套, LED 座 LED HOLDER, LED HOUSING

PINGOOD

4-2



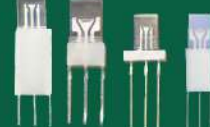
4-3



4-4



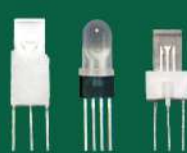
4-5



4-6



4-7



4-8



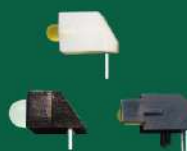
4-9



4-10



4-11



4-12



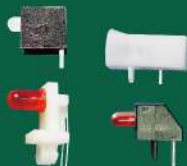
4-13



4-14



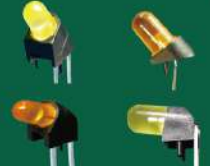
4-15



4-16



4-17



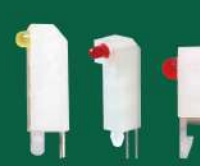
4-18



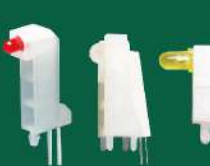
4-19



4-20



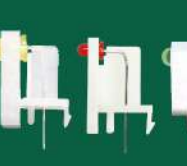
4-21



4-22



4-23



4-24



4-25



4-26



4-27



4-28



4-29



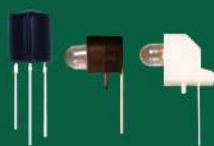
LED 套, LED 座 LED HOLDER, LED HOUSING

PINGOOD

4-30



4-31



4-32



4-33



4-34



4-35



4-36



4-37



4-38



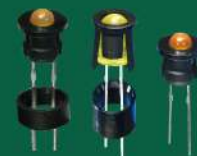
4-39



4-40



4-41



4-42



4-43



4-44



4-45



4-46



4-47



4-48



4-49



4-50



4-51



4-52



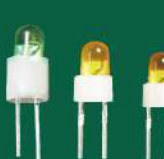
4-53



4-54



4-55



4-56

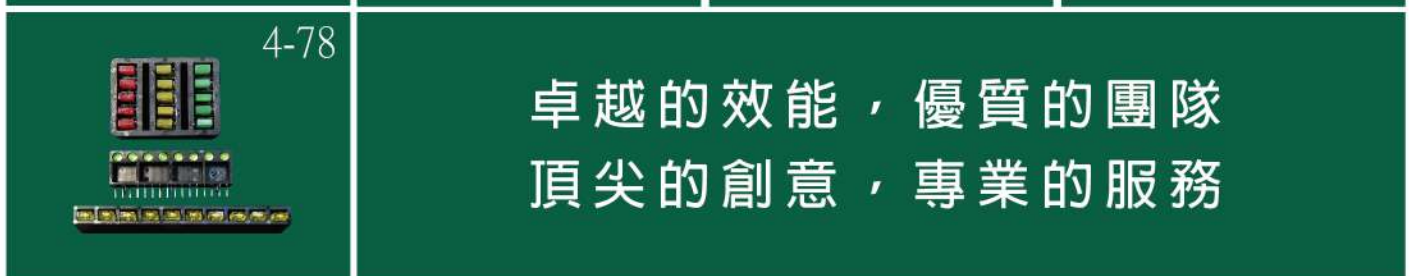
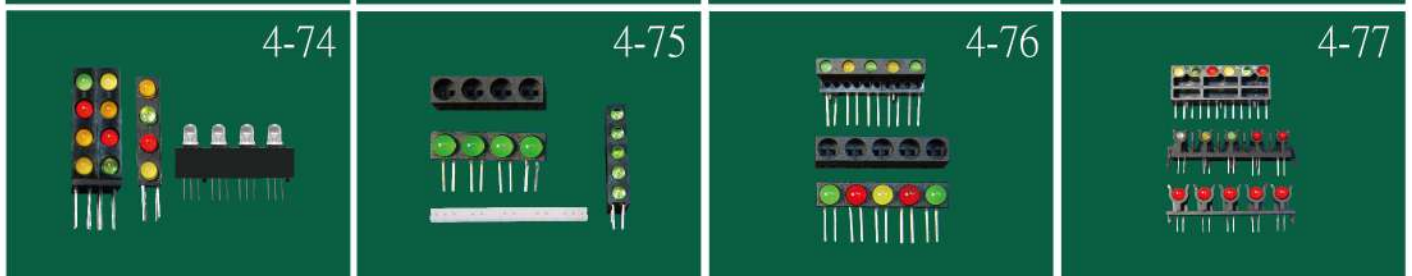
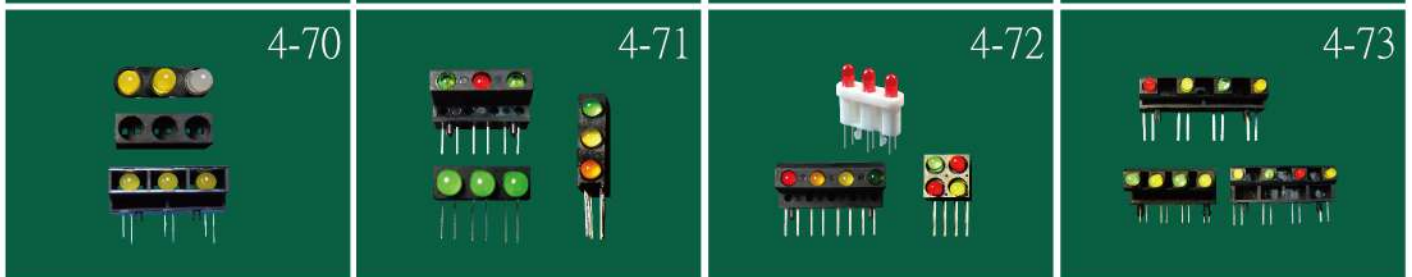
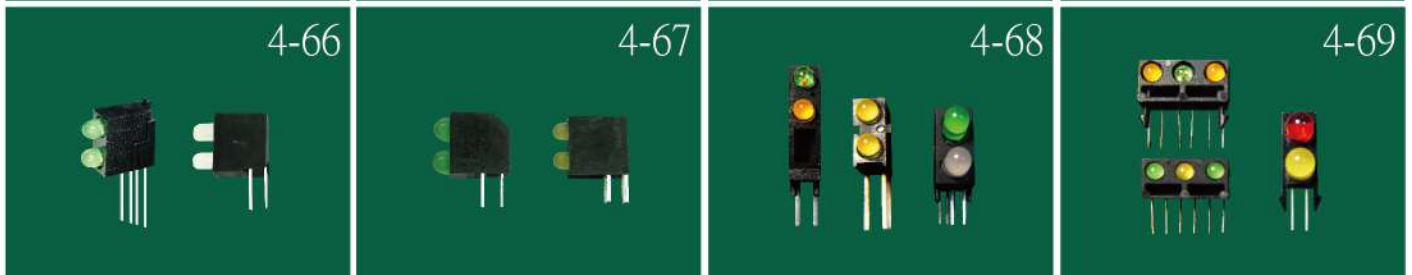
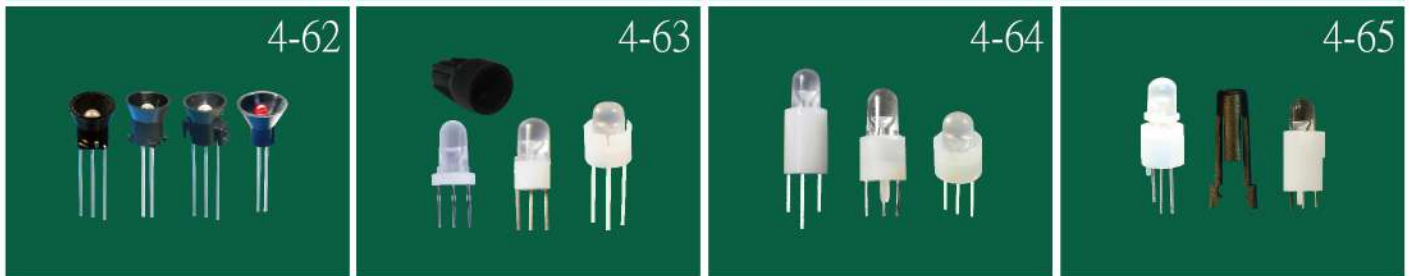


4-57



LED 套, LED 座 LED HOLDER, LED HOUSING

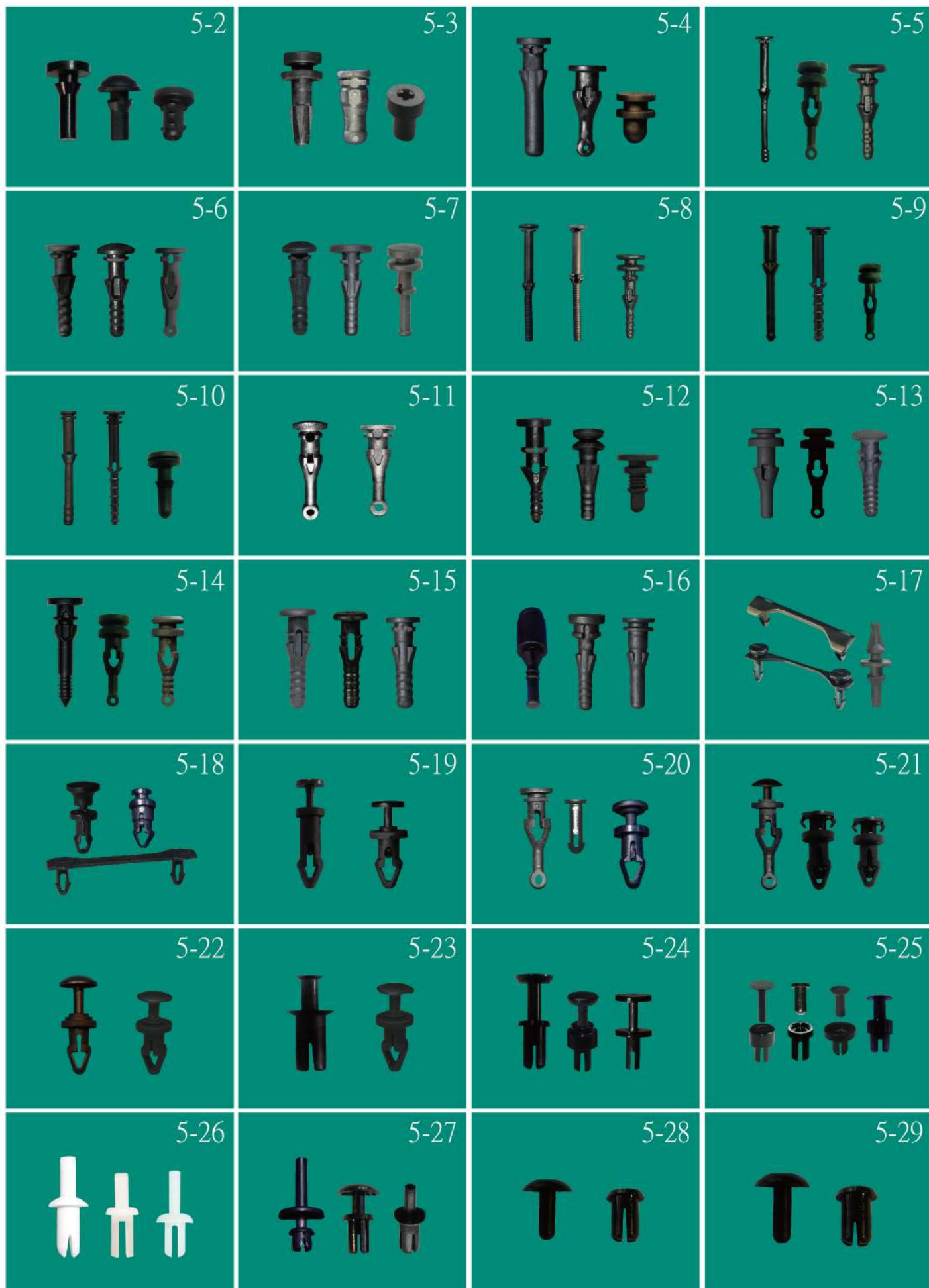
PINGOOD



今天比昨天做得好，明天比今天做得更好
勝任本職就是人才，創新開拓就是優秀人才

鉚釘, 螺絲, 螺帽, 扣具 PLASTIC FASTENER

PINGOOD



鉚釘, 螺絲, 螺帽, 扣具 PLASTIC FASTENER

PINGOOD



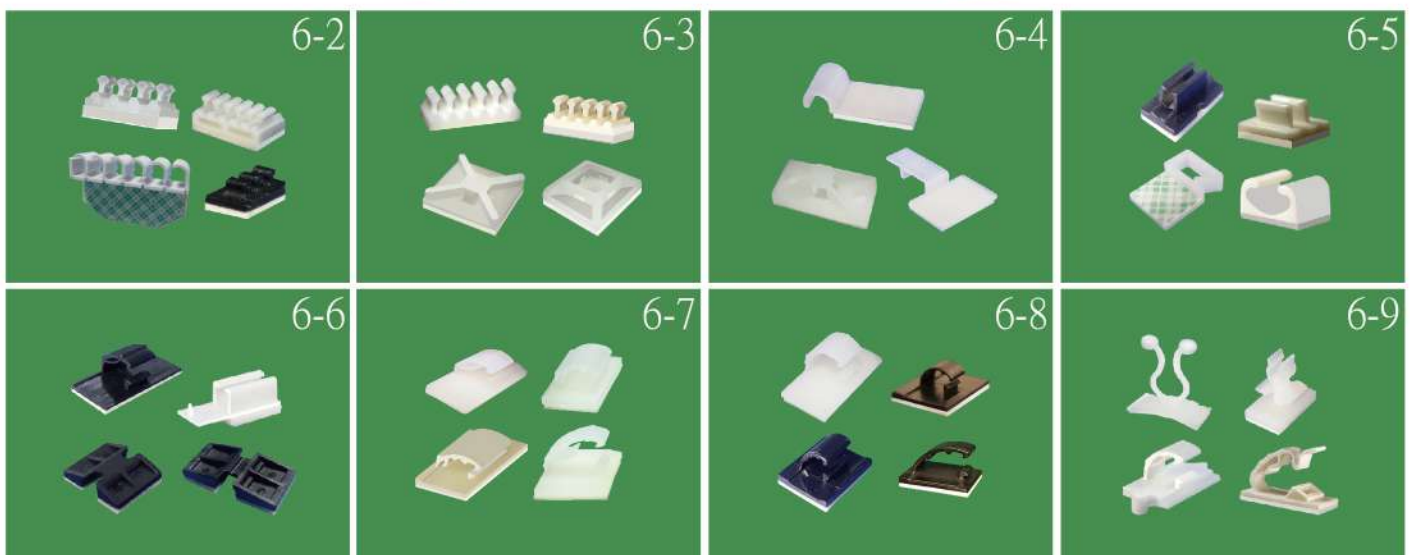
鉚釘, 螺絲, 螺帽, 扣具 PLASTIC FASTENER

PINGOOD



線材固定, 線材隔離 CABLE CLAMP, SADDLE

PINGOOD



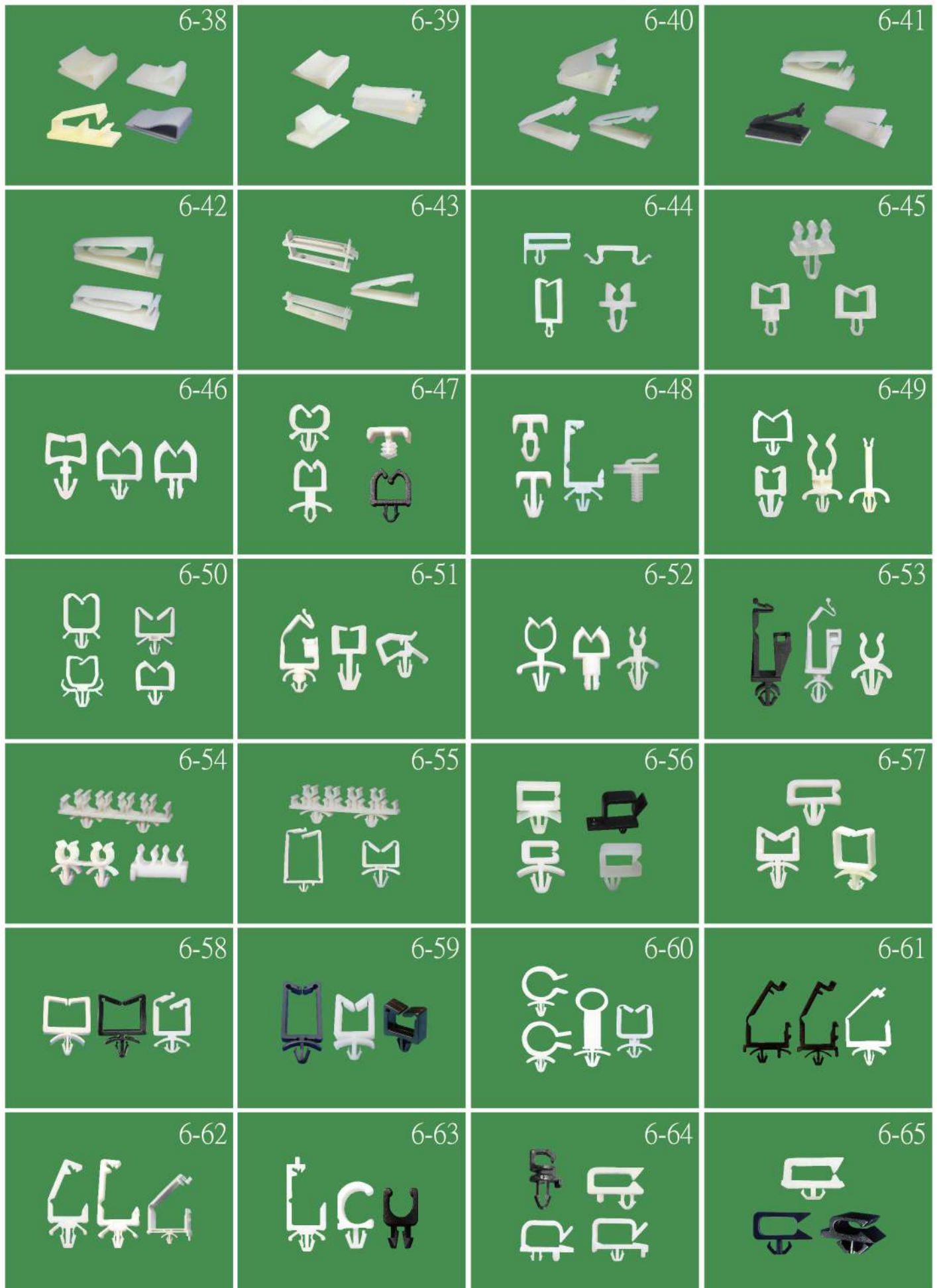
線材固定, 線材隔離 CABLE CLAMP, SADDLE

PINGOOD



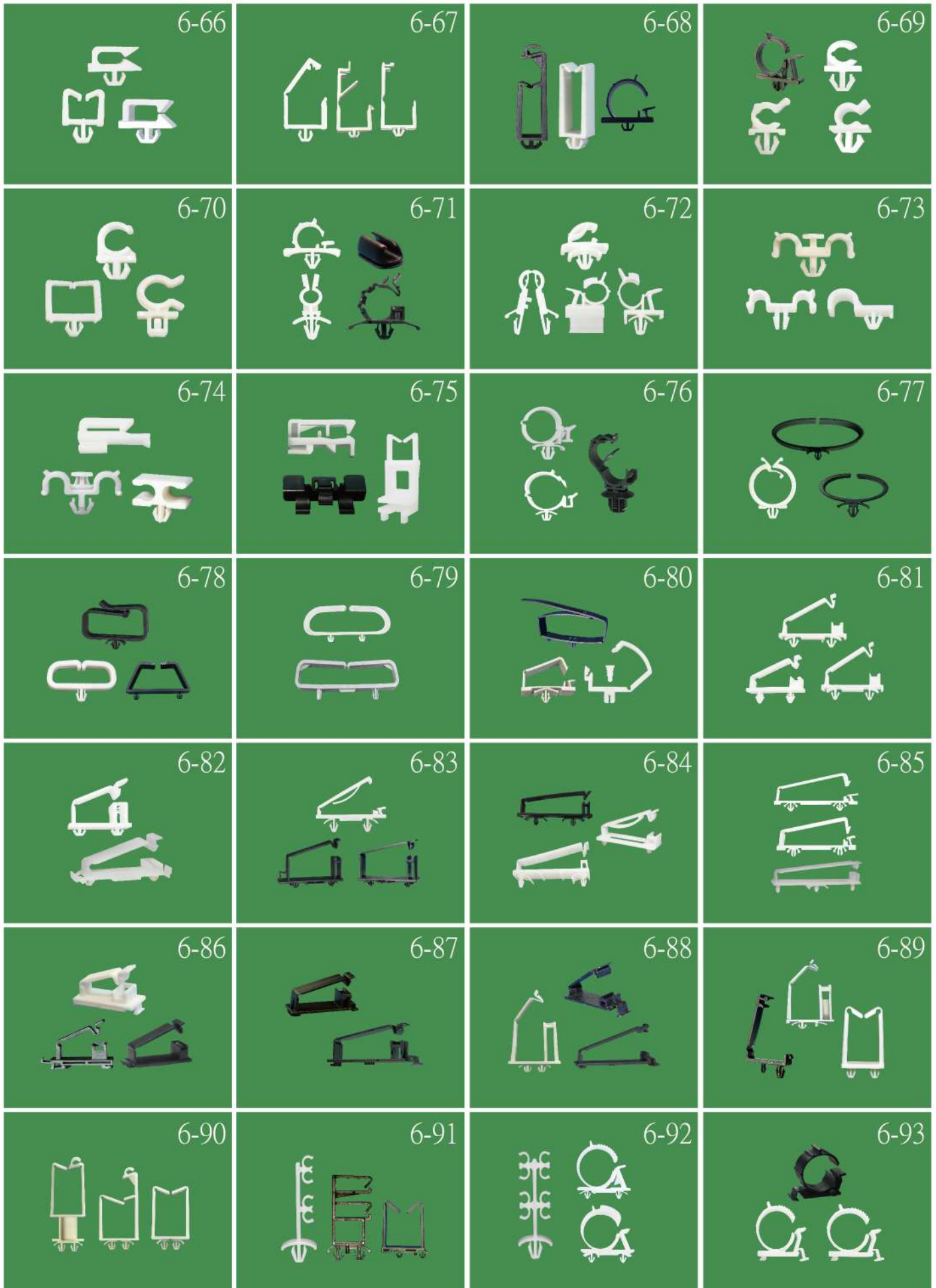
線材固定,線材隔離 CABLE CLAMP,SADDLE

PINGOOD
















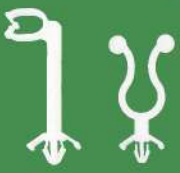














線材固定,線材隔離 CABLE CLAMP,SADDLE

PINGOOD



線材固定, 線材隔離 CABLE CLAMP, SADDLE

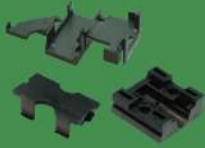
PINGOOD

 <p>6-94</p>	 <p>6-95</p>	 <p>6-96</p>	 <p>6-97</p>
 <p>6-98</p>	 <p>6-99</p>	 <p>6-100</p>	 <p>6-101</p>
 <p>6-102</p>	 <p>6-103</p>	 <p>6-104</p>	 <p>6-105</p>
 <p>6-106</p>	 <p>6-107</p>	 <p>6-108</p>	 <p>6-109</p>
 <p>6-110</p>	 <p>6-111</p>	 <p>6-112</p>	 <p>6-113</p>
 <p>6-114</p>	 <p>6-115</p>	 <p>6-116</p>	 <p>6-117</p>
 <p>6-118</p>	 <p>6-119</p>	 <p>6-120</p>	 <p>6-121</p>

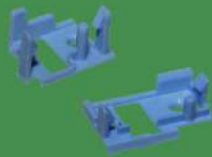
線材固定,線材隔離 CABLE CLAMP,SADDLE

PINGOOD

6-150



6-151



需求萬變努力不變
真誠合作共創輝煌

EMI扣 SLEEVE FERRITE CLAMP

PINGOOD

7-2



7-2



7-2



7-3



電子零附件 PCB ASSEMBLY COMPONENTS

PINGOOD

8-2



8-3



8-4



8-5



8-6



8-7



8-8



8-9



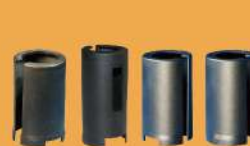
8-10



8-11



8-12



8-13



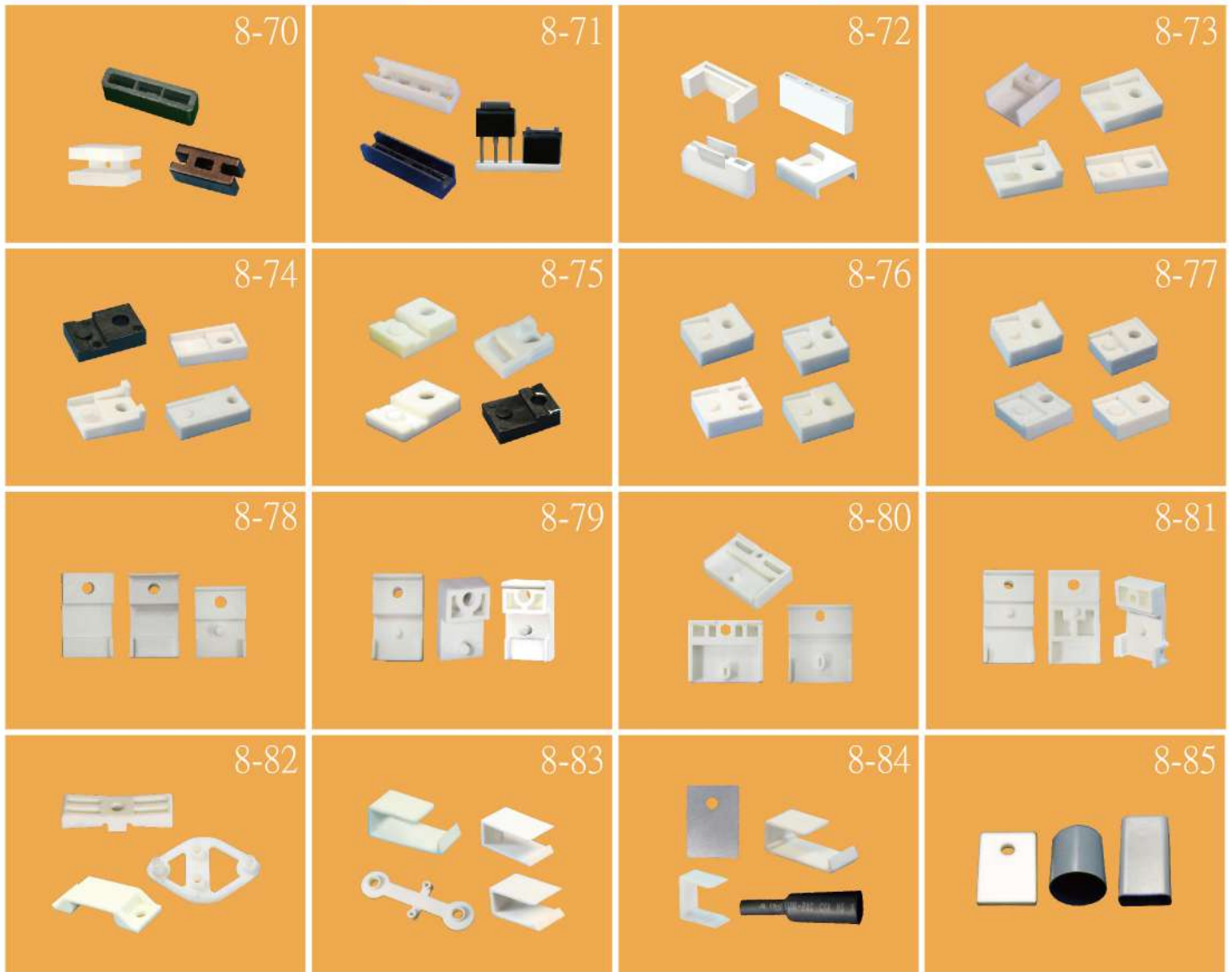


PINGOOD



電子零附件 PCB ASSEMBLY COMPONENTS

PINGOOD



腳墊,燙金腳墊,墊座 PLASTIC RUBBER FOOT

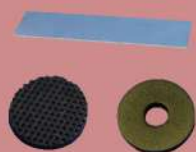
PINGOOD



腳墊,燙金腳墊,墊座 PLASTIC RUBBER FOOT

PINGOOD

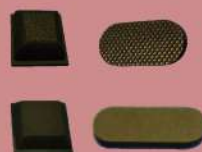
9-10



9-11



9-12



9-13



9-14



用心才能創新，競爭才能發展
培育合作員工，創造合作團隊

拉柄 CIRCUIT BOARD EJECTOR

PINGOOD

10-2



10-3



10-4



10-5



10-6



10-7



追求卓越，掌握先機
打造未來，共享願景

導槽 P.C.B GUIDE RAIL

PINGOOD

11-2



11-3



11-4



11-5



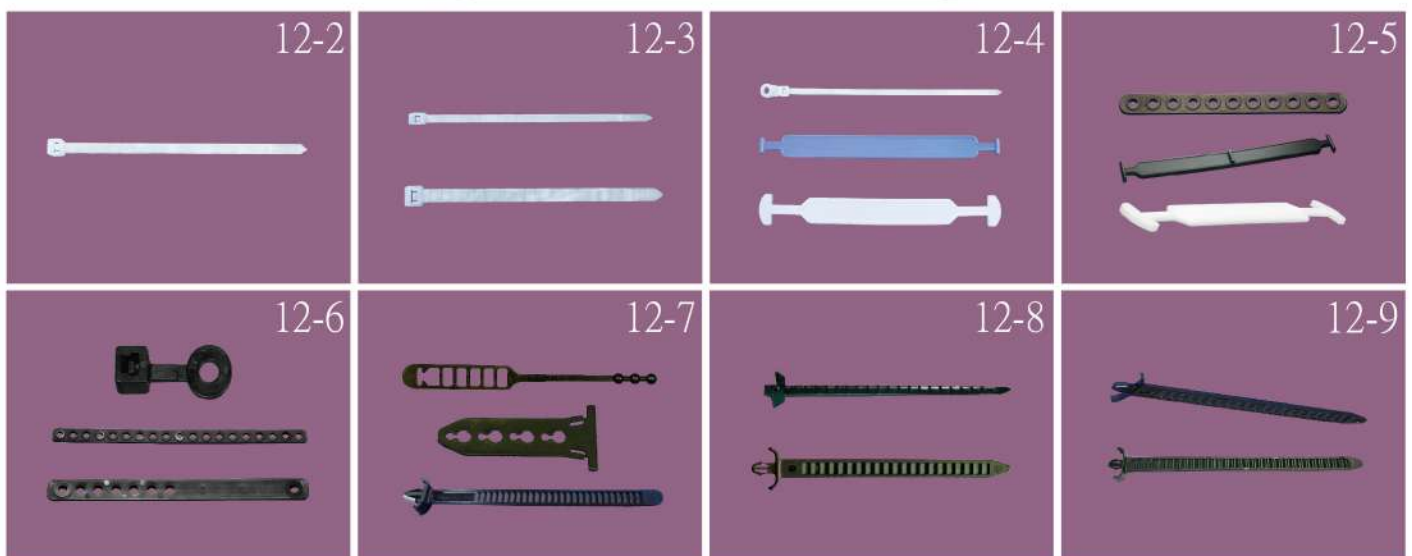
導槽 P.C.B GUIDE RAIL

PINGOOD



束線帶 CABLE TIES

PINGOOD



束線帶CABLE TIES

PINGOOD

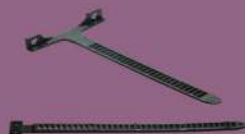
12-10



12-11



12-12



12-13



12-14



12-15



12-16



12-17



12-18



12-19



12-20



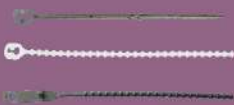
12-21



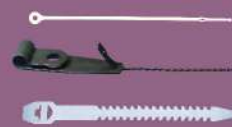
12-22



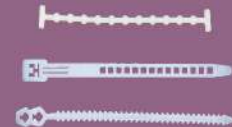
12-23



12-24



12-25



12-26



以人才為根本，以市場為導向
以質量為保證，以服務為宗旨

其他塑膠製品HANDLE,HOUSING,COVER

PINGOOD

13-2



13-3



13-4



13-5



其他塑膠製品 HANDLE, HOUSING, COVER

PINGOOD



其他塑膠製品 HANDLE, HOUSING, COVER

PINGOOD

<p>13-34</p> 	<p>13-35</p> 	<p>13-36</p> 	<p>13-37</p> 
<p>13-38</p> 	<p>13-39</p> 	<p>13-40</p> 	<p>13-41</p> 
<p>13-42</p> 	<p>13-43</p> 	<p>13-44</p> 	<p>13-45</p> 
<p>13-46</p> 	<p>13-47</p> 	<p>13-48</p> 	<p>13-49</p> 
<p>13-50</p> 	<p>13-51</p> 	<p>13-52</p> 	<p>13-53</p> 
<p>13-54</p> 	<p>13-55</p> 	<p>13-56</p> 	<p>13-57</p> 
<p>13-58</p> 	<p>13-59</p> 	<p>13-60</p> 	<p>13-61</p> 

其他塑膠製品 HANDLE, HOUSING, COVER

PINGOOD

13-62 	13-63 	13-64 	13-65 
13-66 	13-67 	13-68 	13-69 
13-70 	13-71 	13-72 	13-73 
13-74 	13-75 	13-76 	13-77 
13-78 	13-79 	13-80 	13-81 
13-82 	13-83 	13-84 	13-85 
13-86 	13-87 	13-88 	13-89 

其他塑膠製品 HANDLE, HOUSING, COVER

PINGOOD



端子附件, 五金 HARDWARE

PINGOOD

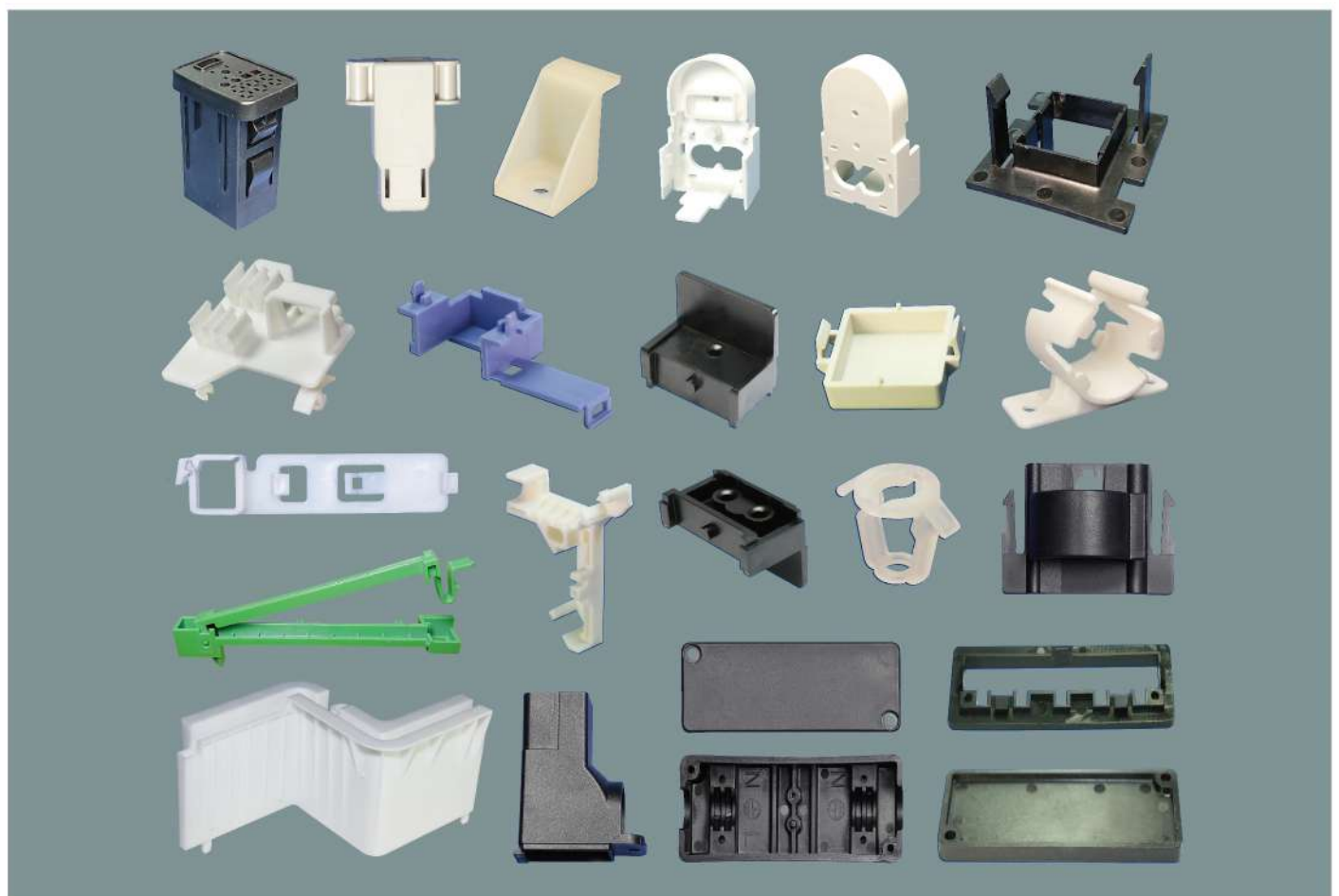


端子附件,五金 HARDWARE

PINGOOD



客製化產品 CUSTOM PART



索引 INDEX

【數字】		【C】			
	ABH 6-13		CHH 6-125	CMD 6-139	
101A~112NP	ABK 6-16	C系列整座	CHJ 6-62	CMG 6-115	
103C~115MC	AC 3-6	9-7,9-10	CHK 6-63	CMF 6-17	
3-134,3-135	ACBS 3-4~3-7	CAC 6-59	CHL 6-60	CMK 6-55	
201~338 3-133	ACK 5-41	CAF 6-141	CHM 6-56	CML 6-14	
3-136	ACMS 3-4	CAP 8-57	CHN 6-70	CMM 6-116	
2A 6-124	ACT 3-6	CAR 6-13	CHP 6-77	CMP 6-141	
2CH 6-142	AD 3-126,3-129	CBG 6-56	CHQ 6-112	CMQ 6-116	
2CS 6-54	ADA 3-130	CBS 3-58	CHR 6-48	CMR 6-2,6-3	
2LEA 4-9~4-10	ADF 3-127	CBD 3-144	CHST 6-123	CMRW 6-45	
2LED 4-66~4-69	ADGF 3-131	CBL 3-145,3-146	CHT 6-44	CMS 6-136	
2RF 2-2,2-5	ADH 3-126	CBLA 3-146	CHU 6-17	CMW 6-95	
3CH 6-142	ADJ 3-129	CBPA 3-147	CHW 6-6~6-8	CMX 6-2	
3LED 4-69~4-72	ADK 3-126	CC 6-71	CHX 6-72	CMZ 6-54	
3LEL 4-71	ADM 3-130	CCA 6-72	CHY 6-75	CNA 6-69	
3RF 2-2	ADP 3-127	CCD 6-71	CIC 6-73	CND 6-78	
401AF~9634C	ADQ 3-127	CCF 6-76	CID 6-44	CNF 6-134,6-135	
3-133,3-134	AF 3-6	CD 6-68	CIK 6-74	CNFA 6-135	
3-137	AVI 13-47	CDA 13-14	CIM 6-122	CNFK 6-134	
40M 8-58	【B】	CDF 6-69	CIS 6-73,6-74	CNG 6-75	
4LED 4-72	BAK 6-71	CDS 13-6~13-13	CJA 6-46	CNH 6-138	
4-74,4-75	BAR 6-127	CDT 13-14	CK 6-62,6-63	CNJ 6-140	
4LEL 4-72,4-73	BCBS 3-78	CDY 13-13	CKA 6-113	CNK 6-135	
4RF 2-2	BCMS 3-78	CF 11-2	CKB 6-113	CNQ 6-137	
5LED 4-75~4-77	BFA 13-99	CFP 13-52	CKF 6-79	CNR 6-136	
5LEL 4-76	BFN 12-24	CG 11-2~11-14	CKH 6-67	CNW 6-137,3-138	
5R 2-2~2-4	BH 2-23~2-25	CGB 11-15	CKIM 6-76	CP 10-2~10-7	
5RF 2-2,2-3	BH-5~7	CGL 11-12	CKK 6-81,6-82	CQ 13-16,13-17	
601~901,60*	13-30,13-31	CGM	6-119	CQA 3-138	
8-56~8-61	BHA 2-23,2-24	11-15~11-17	CKL 6-76	CRC 6-94	
6FW-10 6-2	BHB 1-43	CGR 13-90	CKM 6-18,6-19	CRN 6-94	
6FW-11 6-124	BHR 13-60	CH 6-45~6-47	CKN 6-114	CS 6-52,6-53	
6LED 4-77	BJA 13-5,13-6	6-49~6-52	CKP 6-80	6-71	
6R 2-2,2-4	BSA 13-2,13-3	6-57~6-61,6-63	CKQ 6-78,6-79	CSF 6-44	
7R 2-2,2-4	BSC 13-4	6-66,6-69,6-70	CKR 6-124,6-125	CSK 6-60	
8LED 4-78	BSQ 12-26	6-143	CKS 6-61,6-62	CST 8-85	
8R 2-2,2-3	BSR 6-80	CH-08F,08K 3-99	CKT 6-115	CT 2-23	
9R 2-2	BSW 12-5,12-6	CH-10K 3-99	CKW 6-19	CTK 6-91	
10LED 4-78	BST 12-4,12-5	CHA 6-123	CKX 6-114	CTM 6-92	
15LED 4-78	12-19~12-25	CHB 6-111	CKY 6-114	CTR 6-116	
【A】	BSX 12-5	CHF 6-11,6-12	CKZ 6-19	CTT 6-137	
A 6-123	BWA 13-4	6-132,6-134	CLA 4-49	CTX 6-54,6-55	
AAA 3-86	BWD 13-5	CHFA 6-12	CLED 4-37	6-118	
AB 6-3~6-5	BWF 13-5	CHFD 6-14	4-39~4-47	CU 6-25,6-26	
6-9~6-11	BWH 13-4	CHFK 6-136	CM 6-58	6-65,6-66	
6-13~6-16	BWK 13-2	CHFM 6-134	CMA 6-47	6-73,6-99	
6-128	BWN 13-2	CHFQ 6-12	CMB 6-68	CUA 6-64	
ABD 6-13	BXR 12-23	CHG 6-133	CMC 6-45	CUD 6-98	

索引 INDEX

CUH	6-56	CZH	6-49	DSC	2-22	EES	4-8	FCM-35*	
CUK	6-56	CZJ	6-9	DSF	2-15	EET	4-57		6-127
CW	8-3,8-4,8-14	CZK	6-17	DSH	2-20	EEW	4-16	FCP	6-4
CWA	8-17~8-18	CZL	6-55	DSW	2-15,2-16	EKB	4-28	FCQ	6-87,6-88
CWB	8-7	CZM	6-57	DUA	13-108	EKC	4-21	FCR	6-39
CWC	8-7	CZQ	6-9	DVI	13-81,13-82	EKF	4-19	FCS	6-84
CWD	8-8,8-9	CZR	6-50	DXA	8-10~8-12	EKL	4-8	FCT	3-11
CWF	8-5,8-6	CZS	6-53	DXC	8-13	EKM	4-32	FCW	6-35~6-37
CWG	8-7	CZW	6-17	DXH	8-13	EKN	4-27	FCWA	6-97
CWH	8-8	【D】		DXM	8-10	EKT	4-27	FCX	6-86
CWJ	8-9	D-0710	13-35	DXP	8-11	ELA	4-15	FCY	6-38
CWL	8-9	DAB	13-23	DXS	8-13	EMQ	7-3	FCZ	6-86
CWM	8-4	DAH	13-41	DXW	8-26	EMR	7-2	FDD	6-32
CWP	8-14	DAP	13-22	【E】		EQA	4-53	FDH	6-93
CWQ	8-5,8-13	DC		ECW	4-59	EQC	4-50	FDK	6-27
CWR	8-18	13-104~13-106		EDA	4-28	EQF	4-54	FDM	6-26
CWS	8-8	DCBS	3-65,3-66	EDC	4-27	EQH	4-54	FDP	6-100
CWT	8-10	DCC	13-48	EDD	4-59	【F】		FDQ	6-41
CWU	8-18	DCMS	3-72	EDE	4-7	FAA	6-84	FDW	6-25
CWW	8-19	DCQ	13-31	EDF	4-8	FAC	6-132	FDX	6-26
CWX	8-3	DCR	3-148	EDG	4-58,4-59	FAF	6-133	FFR	3-11
CWY	8-10	DCRJ	3-148	EDH	4-4	FAG	6-133	FGH	6-9
CWZ	8-4	DDS	2-14,2-15	EDJ	4-25	FAK	6-139	FH	13-35
CXK	6-85	DDS-04	2-25	EDK	1-30~1-33	FAM	6-116	FIB	13-86
CXR	6-82	DFA	6-119	EDL	4-26	FB	6-38	FJH	3-149
CXT	6-119	DFB	6-150	EDM	4-29	FBA	13-15	FJW	3-147
CYA	6-83	DFG	6-128	EDN	1-27,1-28	FBC	6-99,6-100	FK	3-10
CYB	6-88	DFK	6-128	EDN-05,5C		FBF	6-44	FKC	3-93
CYC	6-89	DFQ	6-151		1-32	FBM	6-100	FKD	3-92
CYD	6-90	DHD	13-48	EDP	4-58	FC	6-38,6-39	FKK	3-120
CYF	3-94	DHM	13-109	EDQ	4-34		6-102	FKM	3-92
CYG	6-83	DL	1-3~1-6	EDR	4-10	FC-002	14-8	FLA	6-118
CYH	6-67		1-8~1-14	EDT	4-20	FCA	6-97	FLED	4-48
CYJ	6-97	DLA	1-2	EDW	4-21	FCB	3-11	FMG	3-150
CYK	6-67	DLB	1-6	EDZ	1-28,1-29	FCC	6-42,6-83	FMQ	3-150
CYL	6-89	DLC	1-5	EEA	4-49		6-85,6-101	FMY	3-149
CYM	6-90	DLF	1-6	EEB	4-33	FCD	6-41,6-43	FN	14-10
CYP	6-91	DLK	1-7	EEC	4-26	FCF	6-43	FQC	6-126
CYQ	6-89	DLM	1-5	EED	13-2	FCG	6-101	FRAC	6-19
CYR	6-90	DMI	13-80,13-81	EEF	4-34,4-35	FCH	6-126	FS	6-4
CYS	6-68	DMK	3-31	EEG	4-60	FCJ	6-100	FSA	6-131
CYW	6-64	DP	13-85,13-86	EEH	4-25	FCK	6-98	FSC	6-26
CYX	6-140	DPM	13-29	EEJ	4-34	FCM	6-39,6-40	FSD	6-30
CZA	6-50	DPS	13-29	EEK	4-26	FCM-25J,26		FSK	6-131
CZB	6-50	DPX	13-30	EEL	4-10		6-95	FU	6-5
CZC	6-47	DS	2-13	EEM	4-25	FCM-01	6-139	FUA	6-6
CZD	6-130		2-16~2-19	EEN	4-19	FCM-20*		FUM	6-5
CZF	6-51		2-21,2-22	EEO	4-60		6-125,6-126	FUS	6-5

索引 INDEX

FW	6-20~6-25	GSD	8-48	HHQ	1-43	KDM	3-12	LCWS	3-55
	6-27~6-29	GSG	8-47	HJA	8-64	KFD	3-145	LCY	3-28
	6-32,6-33,6-93	GSH	8-48	HKA	13-52	KFDX	3-150	LCZ	3-101
FW-08A	6-137	GSK	8-52	HP	13-17	KFL	3-145	LD	3-121,3-122
FW-CD30	6-31	GSM	8-50,8-51	HPM	13-91	KHA	3-24	LDA	9-14
FWA	6-34	GSP	9-14	HS	13-36~13-43	KLED	4-37,4-38	LDAD	1-52
FWB	6-30	GSQ	8-47	HSA	13-36	KPD	3-92	LDHD	1-51
FWC	6-72	GTT	9-13	HSD	13-41	KWT	3-134	LEA	4-9,4-31
FWD	6-72	GXA	9-14	HSF	13-43,13-44	KYA	6-140	LEAD	1-34~1-39
FWF	6-6	【H】		HSL	13-42	KYC	6-120		1-44~1-48
FWG	6-30	H,H2M,H4	3-140	HSM	13-39	KYF	6-120		1-51,1-52
FWH	6-80	HB	13-47	HSQ	13-37	KYH	6-122	LEC	4-33
FWI	6-133	HBA	13-52	HSW	13-42	KYK	6-120	LECD	1-49
FWJ	6-117	HBC	13-50	HTA	13-74	KYM	6-121	LED	4-3
FWK	6-131	HBF	13-51	HTD	13-45	KYR	6-121		4-14,4-15
FWM	12-14,12-15	HC	13-45,13-46	HU	8-15~8-17	KYT	6-121,6-122		4-51~4-53,4-56
FWP	6-33		13-48		8-19~8-25	KYW	6-122	LED-2x10	4-2
FWQ	6-92		13-53~13-59		8-61,8-62	【L】		LED-2F~5F	4-11
FWR	6-94	HCA	13-44,13-45	HU4,HU6	3-141	L系列整座		LED3	4-54~4-57
FWS	6-64	HCD	13-59	HUA	8-25		9-10,9-11	LED-3x*	4-4
FWT	6-37	HCG	11-17,11-18	HUC	8-25	L-9A	3-59	LED3x4	4-4
FWW	6-92	HCK	13-74	HUD	8-24	L-16*	3-58	LED-*x3	4-64
FWX	6-34	HCL	13-51	HUF	8-72	LBB	3-57	LED-*x3A	4-63
FWY	6-42	HCM	13-54,13-55	HUG	8-15	LBC	3-42,3-43	LED-5AT	4-22
FWZ	6-31	HCP	13-60	HUH	8-23	LBCM	3-37	LED-*BT	4-23
FXA	3-146	HCQ	13-46	HUJ	8-63~8-65	LBD	3-35	LEDX	4-51
FYA	12-15	HCR	13-59,13-61	HUK	8-62	LBK	3-25	LEE	4-29
FYB	12-15	HCS	13-72,13-73	HUM	8-26	LCA2	3-29	LEF5	4-15
FYC	6-98		13-86	HUP	8-26	LCA3	3-33	LEFD	1-42,1-43
FYD	12-16	HCW	13-51	HUQ	8-66	LCA35	3-42	LEG3	4-23,4-24
FYH	6-91	HCX	13-61	HUT	8-65		3-44,3-45	LEGD	1-49,1-50
FYK	6-27	HCZ	13-51	HUX	8-17	LCA4	3-50	LEH5	4-12
FYL	12-16	HD	13-34	HWH	3-139	LCAS	3-49		4-19,4-26
FYM	6-27	HDA	13-34	【I】		LCB3	3-37	LEHD	1-37
FYS	6-23	HDB	13-79	ICA	8-65	LCBA	3-37	LEI	4-22
FZA	3-148	HDD	13-57	ICC	8-65	LCBS	3-55,3-56	LEJ	4-3
【G】		HDK	13-57	IRK	14-14,14-15	LCC	3-56,3-57	LEJD	1-47
GCA	13-107	HDP	13-97	【J】		LCD	3-51	LEK2	4-29,4-31
GL	9-2~9-4	HDQ	13-73	JFW	14-9	LCF	3-45		4-35,4-36
GLA	9-5	HDT	13-73	JG	14-8	LCG	3-73	LEK4	4-29
GLC	9-13	HDY	13-80		14-10~14-14	LCH	3-38		4-31~4-33
GLD	9-14	HDZ	13-56	JH	14-4,14-5	LCJ	3-29	LEK5	4-28
GLE	9-6	HF	13-73	JP	14-5~14-7	LCK	3-51	LEM*	4-20
GLH	8-46,8-47	HFC	13-15	JT	14-2,14-3	LCM3,LCM5	13-26	LEMD	1-40,1-41
GLQ	9-12,9-13	HFJ	13-74	【K】		LCQ	3-41	LEN	4-35
GMC	9-6,9-7	HHB	3-139	KCA	3-49	LCR	3-29	LEND	1-50
GSA	8-49~8-51	HHJ	3-139	KDD	3-12	LCS	3-40	LEQ	4-2
GSB	8-51	HHP	1-33,1-34	KDH	3-12	LCX	3-31	LEQD	1-48

索引 INDEX

LER	4-28	LMR	3-108	LWP	3-122	MCS	3-24	MHT	3-131
LERD	1-49	LMX	3-106	LXC	3-114	MCT	12-18	MHW	13-31
LES	4-50	LO	6-141	【M】		MCU	3-41	MHY	13-92
LESD	1-46	LPL	13-107	M	2-28,2-29	MCW	3-44	MIA	8-44
LET*	4-16~4-18	LQC	13-30	M3F,M3P,M3T	8-33	MCX	3-38,3-39	MJC	13-35
LETD	1-46	LRA	13-107	M4F,M4P,M4T	8-33	MCY	3-32	MJGP	13-90
LEU	4-31	LS 3-116~3-119		MA	3-91	MCZ	3-39	MKK	13-95
LEUD	1-41	LSA	3-2	MAA	5-26	MD	13-17,13-18	MKL	10-2
LEW	4-22,4-36	LSB	3-100	MAB	5-26		13-96	MKP	13-94
LEWD	1-45	LSC	3-90,3-91	MAF	2-32	MDA	13-19	MLA	8-8
LEX	4-21	LSD	3-2,3-3,3-7	MB	5-34~5-52	MDB	13-19	MLED	4-39
LEXD	1-52	LSF	3-89	MBB	5-38	MDD	13-108	MLW	13-90
LEY	4-32	LSH	3-89	MBC	5-41	MDJ	13-18	MMD	2-30
LEYD	1-42	LSJ	3-88	MBDA	5-52	MDK	13-22	MMF	13-91
LEZ	4-50	LSK	3-108	MBF	2-30,2-33	MDL	13-25	MMFA	13-91
LEZD	1-38	LSL	3-123	MBH	5-49	MDP	5-60	MMH	8-6
LFC	6-102	LST	12-24,12-25	MBJ	5-39	MDV	13-17	MML	13-28
LFD	6-96	LSN	3-109	MBK	5-40	MDW	13-96	MMQ	2-33
LFE	6-74	LSP	3-110	MBL	5-34	MEA	3-25	MMR	13-28
LFK	6-75	LSQ	3-118	MBM	5-39	MEC	5-54	MMS	13-92
LFN	6-96	LSR	3-111	MBP	5-42	MEG	3-26	MMW	13-27
LFW	6-31	LSY	3-120	MBQ	5-40	MEH	3-28	MMX	13-33
LGA	9-7	LSZ	3-110	MBR	5-39	MEK	5-43	MNA	13-87
LH	5-56~5-58	LT	3-54	MBT	5-50	MEL	5-53	MNK	13-88
LHA	5-59	LTA3	3-34,3-35	MBTR	5-52	MEP	5-54	MNW	13-87
LHG	5-61	LTBS	3-55	MBS	5-38	MF	3-71,3-72	MPB	
LHJ	5-61	LTD	3-8,3-9	MBSK	5-41	MFC	3-68		13-99~13-103
LHK	5-17	LTF	3-115	MBY	5-51	MFD	3-68	MPG	13-98
LHM	5-59	LTG	3-54	MBZ	5-49	MFG	13-24	MPL	1-8
LHQ	5-17,5-18	LTH	3-107	MC	3-76,3-77	MFH	13-35		2-31,2-32,2-34
LHY	5-60	LTK	3-116	MCA	3-26	MFQ	3-71	MPR	8-66,13-94
LHZ	13-79	LTKL	3-102	MCB	3-46~3-48	MFR	3-68	MPT	8-63
LJA	4-13	LTKR	3-103	MCB3	3-33	MFS	3-75	MPV	13-109
LJD	4-22	LTN	3-103,3-107	MCC	3-74	MGF	13-27	MPW	13-108
LKB	3-100,3-101	LTQ	3-110	MCD2	3-27	MGK	13-29	MPZ	2-32
LKC	3-101	LTQB	3-50	MCE	3-43	MGL	13-27,13-92	MQB	3-73
LKN	3-102	LTQM	3-50	MCF	3-33,3-34	MGM	13-25	MQC	3-38
LLS	3-53	LTR	3-115	MCH	3-32	MGS	13-103	MQD	3-27
LMA	3-44	LTS	3-119	MCI	3-36	MGW	13-108	MQF	3-35
LMD	4-16	LTU	3-53	MCJ	3-25,3-74	MGX	13-93	MQG	3-99
LMF	3-104	LTW	3-115	MCK	3-26	MGZ	13-26	MQW	3-51
LMG	3-109	LTX	3-9	MCL	3-24,3-31	MH	13-32,13-33	MQY	3-34
LMH	3-104,3-105	LTY	3-100	MCM	3-30	MHG	2-30~2-32	MRA	13-24
LMJ	3-106	LTZ	3-102	MCN	3-36	MHG-05	3-92	MRH	13-89
LMK	3-105	LUG	14-14	MCP	3-39	MHG-3A	5-38	MRQ	13-88,13-89
LMM	3-104,3-105	LW	3-121	MCQ	3-36	MHL	13-61~13-72	MRR	13-89
LMP	3-107	LWC	3-122	MCQA	3-46	MHLA	13-72	MRT	5-61
LMQ	3-108	LWH	3-124	MCR	3-47	MHM	13-32	MRX	13-90

索引 INDEX

MRZ	13-87	NEY	13-50	PST	12-25	S系列螺絲	SMA*	5-71	
MS	3-87	NWT	8-35	PTC	8-14	5-61~5-64	SMC*	5-71	
MSA	3-84	【O】		【Q】		5-66,5-67,5-69	SN4	5-65	
MSB	3-86	OIL	8-32	Q系列墊座	9-12	SA	2-10,2-11	SP	13-30
MSC	3-86	OPW	8-32	QBE	4-65	SAQ	2-20,2-21	SQ	3-138
MSD	3-88	【P】		QBF	4-51	SB	2-8~2-10	SQA	5-64
MSF	3-87	P-1,5	13-93	QBK	4-65		2-12,2-13	SQR	5-19
MSH	3-88	P-2	14-2	QBT	4-30	SBD	2-7	SR	5-5
MSK	3-83	PAD10	6-18	QBU	4-61	SBK	2-6		5-9~5-11
MSLQ	3-84	PAD11	6-18	QDC	8-6	SC	2-11		5-13,5-14,5-16
MSP	3-86	PAK11	6-18	QLA	4-19	SCA	3-23		5-18~5-25
MSQ	3-85	PC	6-103	QLB	4-6	SCB	3-19		5-27~5-32,5-34
MSR	3-83		6-144,6-145	QLC	4-12,4-18	SCC	3-20,3-21		5-55,5-56
MSS	3-85	PCA	3-61	QLD	4-75	SCD	3-16,3-17	SRA	5-17
MST	3-85	PCBS	3-70	QLE	4-5,4-6		3-21	SRB	5-14
MSZ	3-84	PCC	3-62	QLED	4-48	SCE	3-14	SRBK	5-15
MTB	13-25	PCE	3-59~3-61	QLF	4-63	SCF	3-21	SRCK	5-6,5-7
MTC	3-121	PCF	3-66	QLG	4-4	SCG	3-14		5-13,5-15
MTD	4-63	PCG	6-144	QLH	4-61,4-62	SCK	3-13,3-15	SRCM	5-12
MTG	3-120	PCJ	3-64	QLJ	4-13	SCL	3-23	SRCQ	5-3
MTH	13-21	PCK	3-62~3-64	QLK	4-6,4-7	SCM	3-22,3-23	SRD	5-5~5-10
MTJ	13-22	PCM	3-74	QLL	8-72	SCP	3-22		5-12,5-15,5-16
MTN	13-21	PCN	3-67	QLM	4-62	SCQ	3-13	SRDW	5-32
MTQ	13-24	PCQ	3-73	QLP	4-62	SCR3	5-68	SRF	5-2
MTU	8-26,8-27	PCR	3-61	QLQ	4-7	SCS	3-16	SRFK	5-31,5-32
MTX	4-65	PCS	6-47,6-48	QLR	4-62	SCT	3-17~3-19	SRG	5-6
MTY	13-97	PCS-2A	3-64	QLS	4-61	SCTMS	3-87	SRH	5-7
MTZ	8-6	PCT	6-149	QLT	4-30	SCU	3-16	SRJ	5-2
MU	2-29	PCU	6-150	QLU	4-30	SCW	3-15	SRL	5-13
MVA	13-18	PCW	6-150	QLW	4-60	SCX	3-15	SRM	5-4
MWC	13-28	PCX	6-31	QLX	4-18	SCY	3-17	SRMD	5-33
MWJ	13-98	PCY	3-62	QLY	4-36	SCZ	3-14	SRMF	5-25
MWZ	13-26	PDB	6-143	QPI	13-57	SDA	3-22	SRMR	5-24
MXR	2-33	PDT	6-117	QQA	4-60	SDC	3-71	SRMT	5-25
MYC	8-33	PEB	13-74	QQD	4-13	SDF	3-69	SRN	5-21
MZT	13-92	PED	13-28	QQR	4-27	SDH	13-88	SRQ	5-33
【N】		PF	12-26	QRN	1-50	SDM	3-69	SRQB	5-2
NBB	13-14	PG	1-14~1-26	【R】		SDS	3-52	SRQF	5-3
NBC	13-15	PH	13-16	R系列墊座		SDT	3-52	SRQM	5-33
NEA	13-84	PHA	3-62		9-8,9-9	SF	5-65	SRR	2-31
NEC	13-49	PIN	13-98	RJ	13-84	SG	2-5	SRS*	3-128
NEK	13-49	PL	6-146	RL	3-132	SH	3-130	SRTA	3-114
NEP	13-49	PLA	6-147	RMF	3-125	SHC	8-32	SRTC	3-111
NEQ	13-85	PLB	6-147,6-148	RS	3-131,3-132	SK	3-13	SRTF	3-112
NER	13-52	PLC	6-148	RX*	9-10	SL	2-6	SRTH	3-111
NES	13-84,13-85	PSA	12-7	【S】		SLED	4-3	SRTK	3-112
NET	13-82,13-83	PSF	12-10	S系列墊座	9-7	SLM	2-6	SRTM	3-113
NEX	13-82	PSK	12-11	S系列螺帽	5-70	SM	5-69	S RTP	3-113

索引 INDEX

SRTQ	3-112	TCH	3-70	TRJ	8-82	USC	2-27	WSG	8-55,8-56
SRU	5-54,5-55	TCJ	3-75	TRK	8-70	USF	13-78	WSH	8-40
SRX	5-26	TCK	3-75	TRL	8-72	USJ	13-79	WSI	8-55
SRXD	5-27	TCL	3-82	TRM	8-82	USK	2-26	WSJ	8-44
SRXM	5-18	TCM3	3-82	TRN	8-72	USM	2-26	WSL	8-44
SRY	5-4	TCN	3-75	TRQ	8-83,8-84	USQ	13-79	WSM	8-46
SRYC	5-3	TCP	3-91	TRR	8-66	UST	2-25,2-27	WSN	8-46
SRZ	5-4	TCQ	3-69	TRT	8-70	UTF	6-130	WSNA	8-57
SS	2-12	TCR	3-80	TRX	8-81	UTU	2-35	WSP	2-7
SSA	3-52	TCS	3-74	TRY	8-71	UW	1-30	WSQ	8-45
SSBS*	3-53	TCT	3-88	TRZ	8-69		13-20,13-21	WSR	8-32
SSK	2-12	TCU	3-41	TS	3-123	UWA	8-27	WSS	8-48
SSR	3-129	TCW	3-67	TSA	3-123	UWB	8-28	WST	8-45
STR	5-32	TCX	3-76	TSC	3-124	UWC	8-28	WSU	8-33,8-46
SU	5-62	TCY	3-79	TSD	3-125	UWD	8-36,8-40	WSX	8-39
SU2,SU6	5-66	TCYA	3-79	TT15	6-111	UWF	8-43	WSZ	2-7
SU6A	5-63	TD*	6-108	TU14	6-110	UWJ	8-36	WU	8-45
SUN4	5-65	TDA	6-52	TUA	6-107	UWK	8-37	WWA	8-56
SUN6	5-65	TDD	6-49	TUT	6-112	UWM	8-42	WWD	8-5
SUP	3-147	TDF	6-49	TX11	6-111	UWQ	8-41	WWF	8-43
SW4	5-67,5-68	TDH	6-77	【U】		UWS	8-42	WWK	8-41
SW5	5-68	TDR*	6-109	U系列墊座	9-8	UWT	8-29	【Y】	
SWA	8-52	TDY*		U系列華司		【V】		YAA	12-17
SY	2-11		6-108,6-109		8-27~8-31	VCK	13-49	YAD	12-6
SZ	5-53	TE21	6-110		8-35,8-36	VCP	13-53	YAK	12-22
【T】		TEY4	6-110	UA	3-97	VCQ	13-53	YAM	12-19
T系列墊座	9-12	TF8	6-104	UB	3-94~3-97	VFA	13-94	YJ	12-2~12-4
T9A	13-107	TG12	6-108	UBA	13-23	VTU	2-34,2-35		12-17,12-18
TA*		TGB	13-97	UBC	3-97	【W】		YJA	12-7
	6-103~6-106	TH,TH2,TH4	3-142	UBL	3-97	WC	14-8	YJB	12-12
TAA	3-10	THB	3-143	UCB	3-45,3-48	WCB	3-58	YJC	12-8,12-9
TAH	3-139	THC	3-143	UCC	3-30	WCC	8-45	YJD	12-21
TAJ	3-79	THK	3-143	UCD	3-40	WCD	5-51	YJF	12-11
TAK	3-70	THM	3-143	UCF	3-30	WHT	9-6	YJH	12-14
TAN	3-76	THT	3-144	UCH	3-46	WRA	8-29	YJK	12-13
TAX	3-67	THU4,THU6	3-141	UCK	3-40	WRB	8-41	YJL	12-12
TB	3-124,3-125	TK6	6-109	UCX	3-27	WRC	8-38	YJM	12-13
TB8,TB20	6-107	TN16	6-104	UFT	3-133	WRD	8-37,8-39	YJP	12-9
TBK	3-90	TO	8-84,8-85	UN	5-68	WRF	8-42	YJR	12-8
TBW	3-91	TPW	13-99	UN4,UN6,UN10		WRK	8-38	YJW	12-10
TC20	6-112	TQ	8-2		5-70	WRP	8-40	YL	6-129,6-130
TCA	3-80,3-81	TQA	8-85	UN6K	8-33	WS	8-31,8-34	YLA	6-129
TCBS	3-81	TQC	8-2	UNB	3-98		8-38,8-39	YLB	6-129
TCBK	3-89	TQJ	8-54	UNC	3-98	WSA	8-41,8-42	YLC	6-128
TCC	3-73	TR	8-66~8-71	UNG	3-98	WSB	8-44	YLED	4-42
TCD	3-72		8-73~7-83	US	2-27	WSC	8-43	【其他】	
TCF	3-67	TRA	8-54	USB		WSE	8-57	熱收縮套管	8-84
TCG	3-89	TRC	8-52~8-54		13-75~13-78	WSF	8-37		

1



導光棒
LIGHT PIPE



塑膠阻尼器
ROTARY DAMPER



門扣
MAGNET LATCH,
STRIKE,
LATCH,
PUSH LATCH

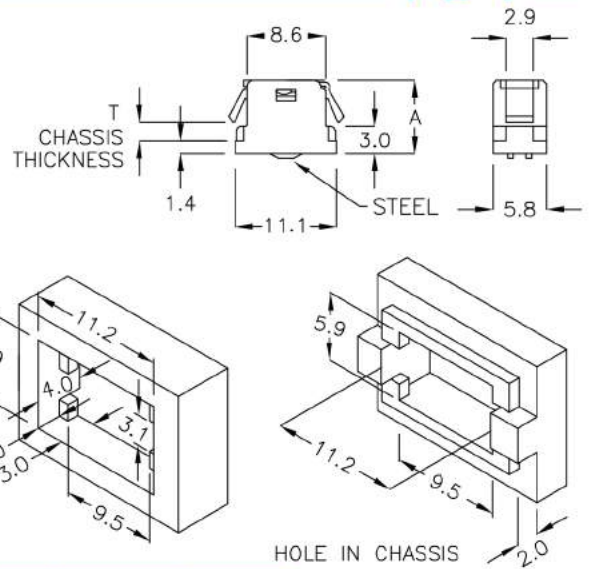


1-2-1

扣具 MAGNET LATCH(磁鐵式)



MATERIAL: NYLON 66(UL)+STEEL
 FLAME CLASS: 94V-2
 COLOR: BLACK



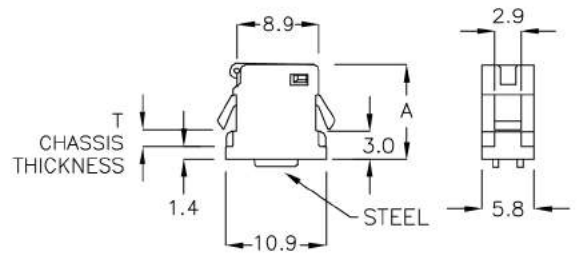
PART NO	A	T CHASSIS THICKNESS	PACKAGE
DLA-01	8.4	2.0	1000

1-2-2

扣具 MAGNET LATCH(磁鐵式)



MATERIAL: NYLON 66(UL)+STEEL
 FLAME CLASS: 94V-2
 COLOR: BLACK



HOLE IN CHASSIS SAME AS DLA-01

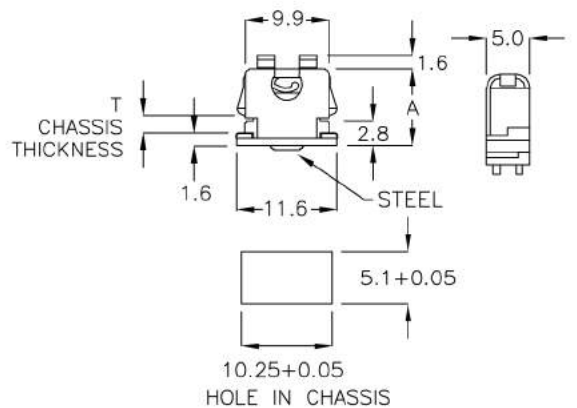
PART NO	A	T CHASSIS THICKNESS	PACKAGE
DLA-02	10.5	1.9	1000

1-2-3

扣具 MAGNET LATCH(磁鐵式)



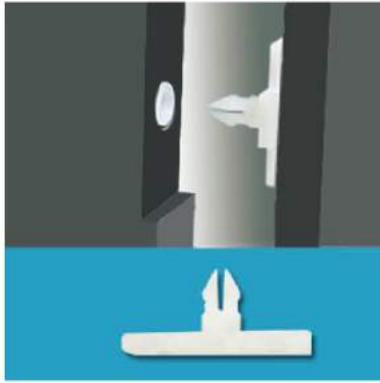
MATERIAL: NYLON 66(UL)+STEEL
 FLAME CLASS: 94V-2
 COLOR: BLACK



PART NO	A	T CHASSIS THICKNESS	PACKAGE
DLA-03	8.9	2.0	1000

1-3-1

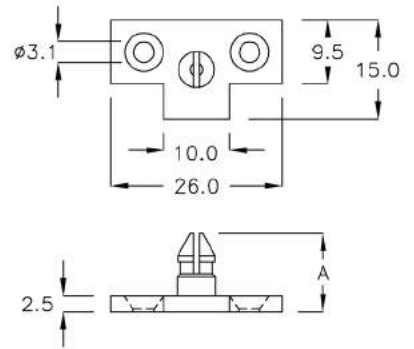
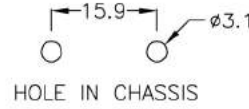
扣具 STRIKER



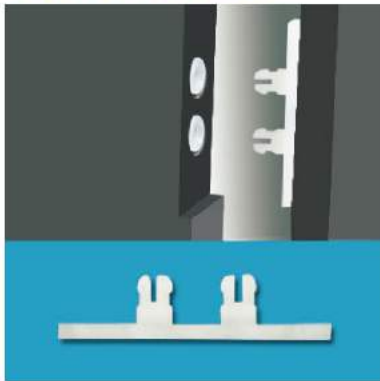
MATERIAL: NYLON 66(UL)
FLAME CLASS: 94V-2
COLOR: NATURAL

PART NO	A	PACKAGE
DL-10A	12.0	500

TO BE USED WITH P.G PART DL-10 (Page 1-3-3)
TO BE USED WITH P.G PART DL-10F (Page 1-3-4)



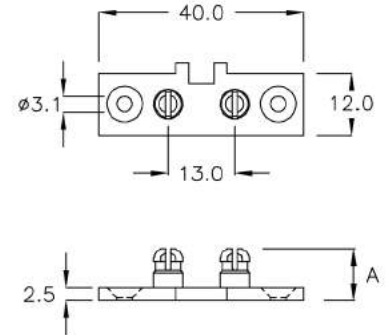
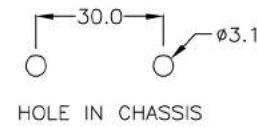
扣具 STRIKER



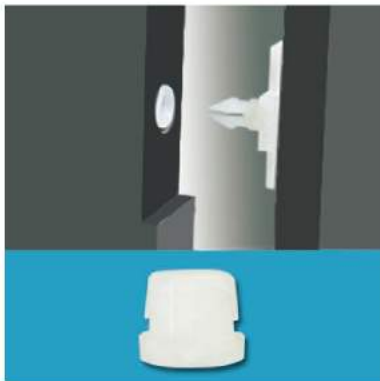
MATERIAL: NYLON 66(UL)
FLAME CLASS: 94V-2
COLOR: NATURAL

PART NO	A	PACKAGE
DL-10K	10.1	500

TO BE USED WITH P.G PART DL-10H (Page 1-4-1)



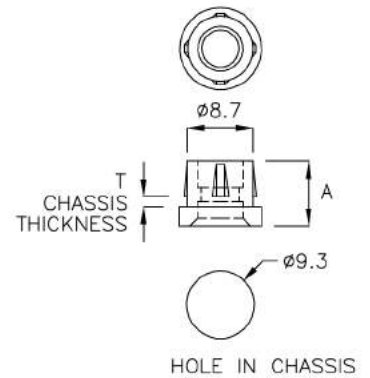
扣具 LATCH



MATERIAL: NYLON 66(UL)
FLAME CLASS: 94V-2
COLOR: NATURAL

PART NO	A	T CHASSIS THICKNESS	PACKAGE
DL-10	8.6	1.4	500

TO BE USED WITH P.G PART DL-10A (Page 1-3-1)



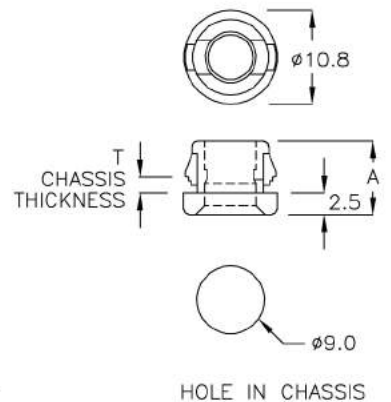
扣具 LATCH



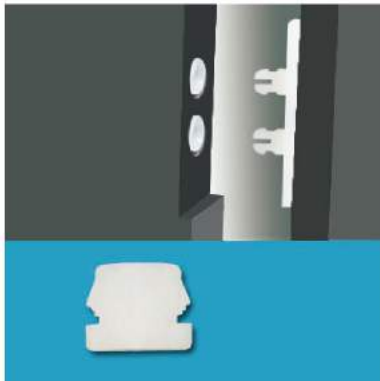
MATERIAL: NYLON 66(UL)
FLAME CLASS: 94V-2
COLOR: NATURAL

PART NO	A	T CHASSIS THICKNESS	PACKAGE
DL-10F	8.5	1.2~1.6	500

TO BE USED WITH P.G PART DL-10A (Page 1-3-1)



1-4-1

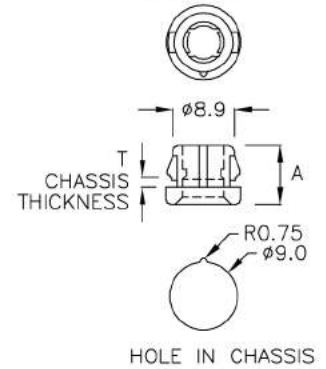


扣具 LATCH

MATERIAL: NYLON 66(UL)
 FLAME CLASS: 94V-2
 COLOR: NATURAL

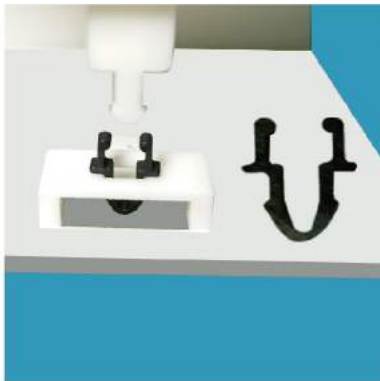
PART NO	A	T CHASSIS THICKNESS	PACKAGE
DL-10H	8.5	1.4~1.6	500

TO BE USED WITH P.G PART DL-10K (Page 1-3-2)



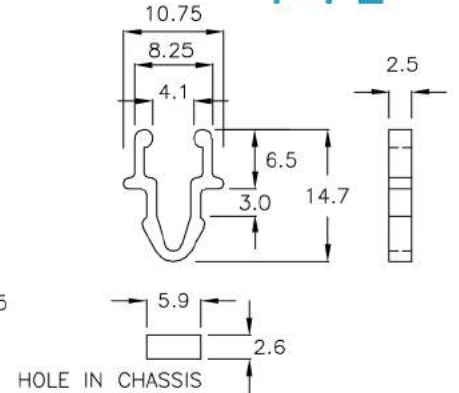
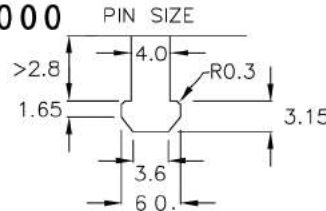
HOLE IN CHASSIS

1-4-2



扣具 LATCH (DL-2)

MATERIAL: NYLON 66(UL)
 FLAME CLASS: 94V-2
 COLOR: BLACK
 PACKAGE: 1000



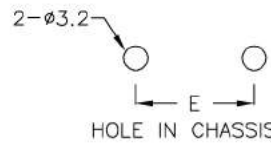
HOLE IN CHASSIS

1-4-3

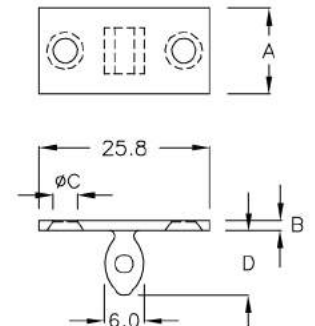


扣具 STRIKER

MATERIAL: NYLON 66(UL)
 FLAME CLASS: 94V-2
 COLOR: NATURAL



HOLE IN CHASSIS



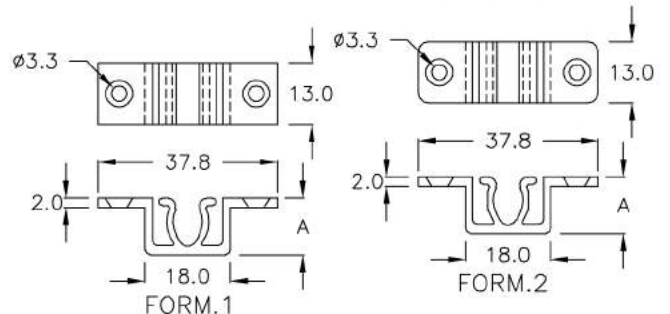
PART NO	A	B	C	D	E	TO BE USED WITH	PACKAGE
DL-008	13.0	1.5	3.7	9.9	18.0	DL-009	1000
DL-8DK	8.0	2.0	3.6	8.7	15.2	DL-9DK	

1-4-4



扣具 LATCH

MATERIAL: POM(UL)
 FLAME CLASS: 94HB
 COLOR: NATURAL
 PACKAGE: 200

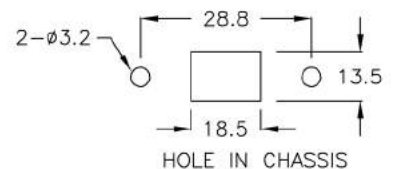


FORM.1

FORM.2

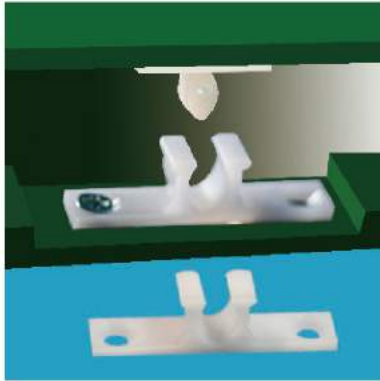
PART NO	A	FORM	PACKAGE
DL-009	12.1	1	200
DL-9KA	12.0	2	

TO BE USED WITH P.G PART DL-008 (Page 1-4-3)

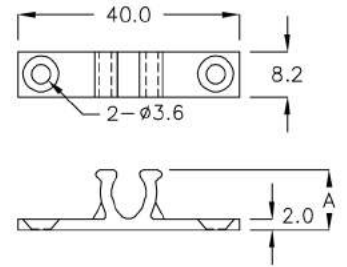
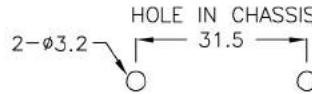


HOLE IN CHASSIS

扣具 LATCH



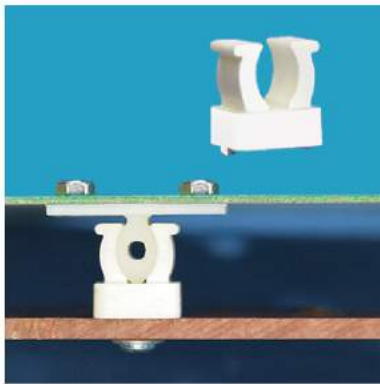
MATERIAL: POM(UL)
FLAME CLASS: 94HB
COLOR: NATURAL



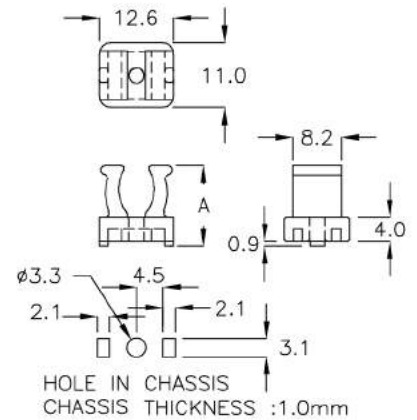
PART NO	A	PACKAGE
DL-9DK	10.8	200

TO BE USED WITH P.G PART DL-8DK (Page 1-4-3)

扣具 LATCH



MATERIAL: NYLON 66(UL)
FLAME CLASS: 94V-2
COLOR: NATURAL
SCREW: M3x4 TAPPING SCREW



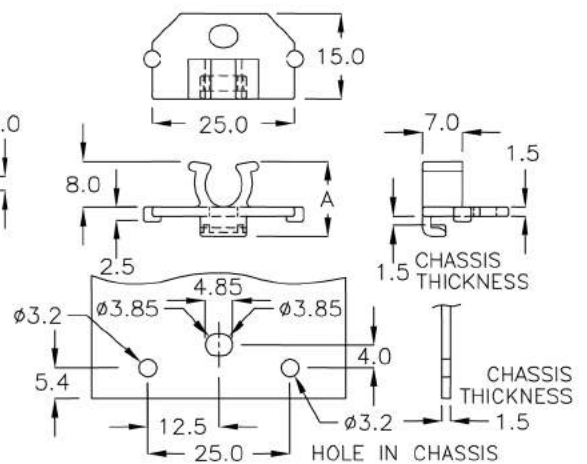
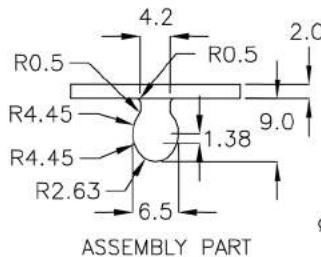
PART NO	A	PACKAGE
DLC-14	13.7	500

TO BE USED WITH P.G PART DL-008 (Page 1-4-3)

扣具 LATCH



MATERIAL: POM
FLAME CLASS: 94-HB
COLOR: BLACK



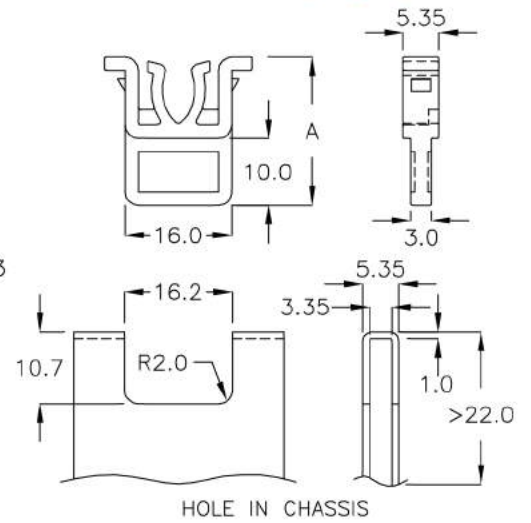
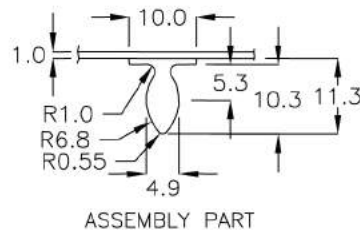
PART NO	A	PACKAGE
DLM-06	13.15	500

1-6-1



扣具 LATCH

MATERIAL: POM
FLAME CLASS: 94-HB
COLOR: NATURAL



PART NO	A	PACKAGE
★DLF-22QT	22.2	200

1-6-2

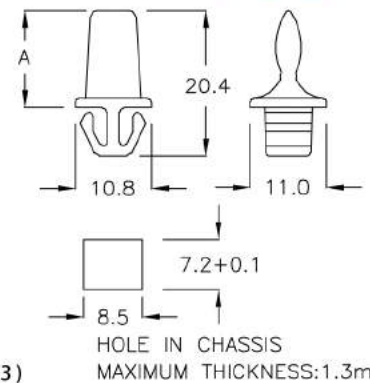


扣具 STRIKER

MATERIAL: POM(UL)
FLAME CLASS: 94-HB
COLOR: NATURAL

PART NO	A	PACKAGE
DL-20A	13.7	500

TO BE USED WITH P.G PART DL-20 (Page 1-6-3)



1-6-3

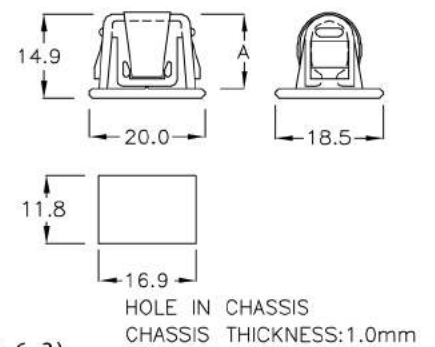


扣具 LATCH

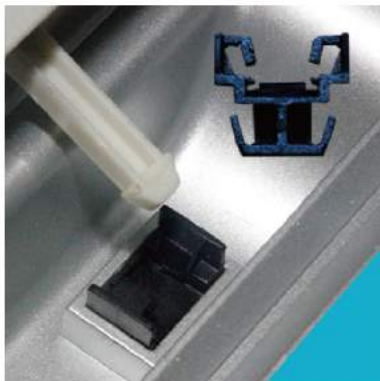
MATERIAL: NYLON 66(UL)
FLAME CLASS: 94V-2
COLOR: NATURAL

PART NO	A	PACKAGE
DL-20	13.2	500

TO BE USED WITH P.G PART DL-20A (Page 1-6-2)



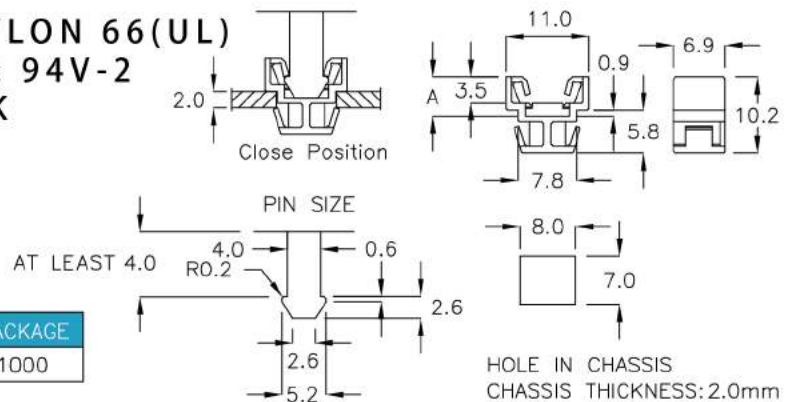
1-6-4



扣具 LATCH

MATERIAL: NYLON 66(UL)
FLAME CLASS: 94V-2
COLOR: BLACK

PART NO	A	PACKAGE
DLB-4A	5.3	1000



1-7-1

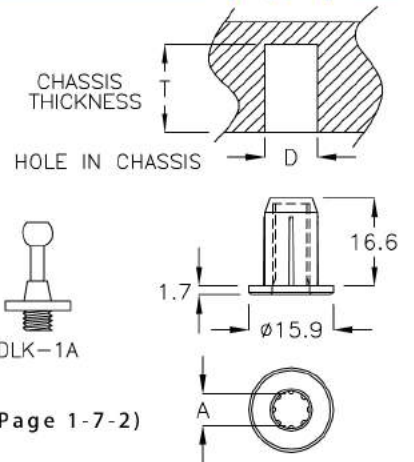
扣具 LATCH



MATERIAL: NYLON 66(UL)
FLAME CLASS: 94V-2
COLOR: BLACK

PART NO	A	D	T	PACKAGE
DLK-01	ø6.0		18.0	500
DLK-02	ø5.9	ø10.0		

TO BE USED WITH P.G MALE PART DLK-1A (Page 1-7-2)



1-7-2

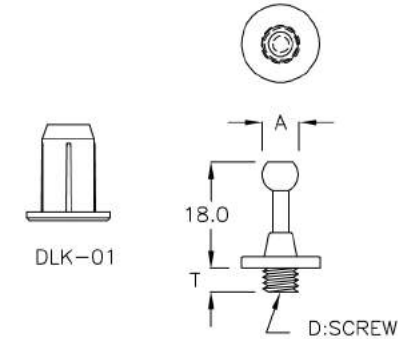
扣具 STRIKER



MATERIAL: NYLON 66(UL)
FLAME CLASS: 94V-2
COLOR: BLACK

PART NO	A	D	T	PACKAGE
DLK-1A	ø6.1	M6	5.0	500

TO BE USED WITH P.G FEMALE PART DLK-01,DLK-02(Page 1-7-1)



1-7-3

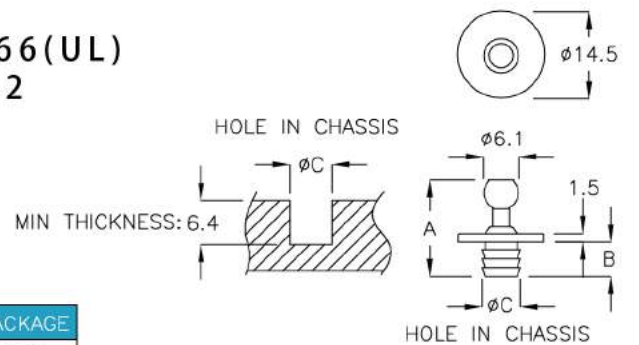
扣具 STRIKER



MATERIAL: NYLON 66(UL)
FLAME CLASS: 94V-2
COLOR: BLACK

PART NO	A	B	C	PACKAGE
DLK-2A	16.4	5.8	ø6.1	500

TO BE USED WITH P.G FEMALE PART MPL-02,MPL-04(Page1-8-1)



1-7-4

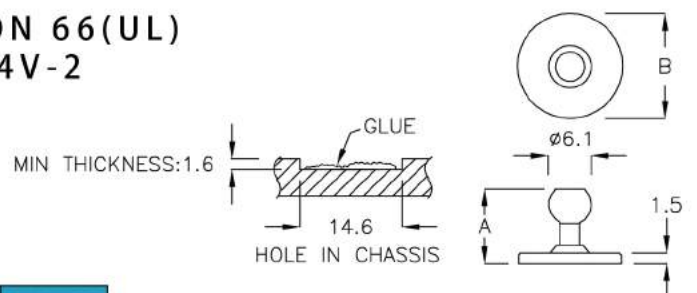
扣具 STRIKER



MATERIAL: NYLON 66(UL)
FLAME CLASS: 94V-2
COLOR: BLACK

PART NO	A	B	PACKAGE
DLK-2C	10.6	ø14.5	500

TO BE USED WITH P.G FEMALE PART MPL-02,MPL-04(Page1-8-1)

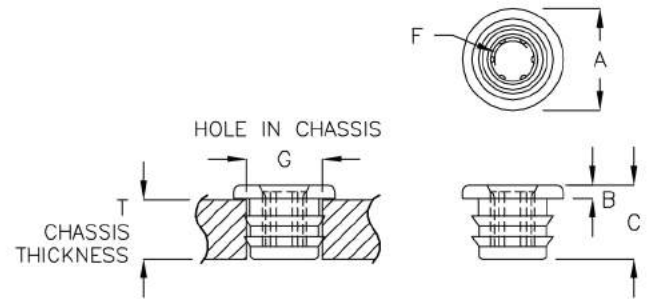


1-8-1



固定座 LATCH

MATERIAL: TPE
COLOR: BLACK



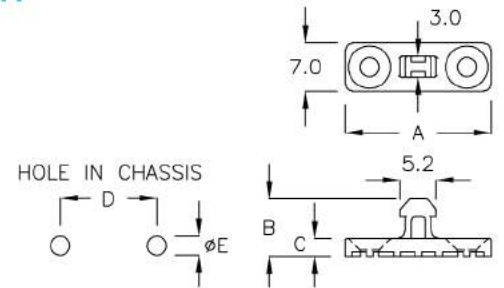
PART NO	A	B	C	F	T CHASSIS THICKNESS	MATERIAL	G HOLE IN CHASSIS	PACKAGE
MPL-01	ø15.0	1.8	10.8	ø6.0	10.0	TPE 55°	ø10.0	500
						TPE 70°	ø10.5	
MPL-02	ø15.0	2.0	11.0	ø5.5	10.0	TPE 55°	ø10.0	
						TPE 70°	ø10.5	
MPL-04	ø14.0	2.0	10.5	ø5.9	9.5	TPE 55°	ø10.0	
						TPE 70°	ø10.5	

1-8-2



扣具 PUSH LATCH STRIKER

MATERIAL: NYLON 66(UL)
FLAME CLASS: 94V-2
COLOR: BLACK



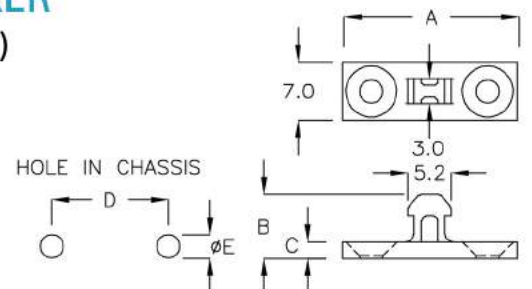
PART NO	A	B	C	D	E	SUITABLE P.G. PUSH LATCH	PACKAGE
DL-03C	21.0	8.3	2.6	14.0	2.8	DL-150C, DL-400D	1000

1-8-3

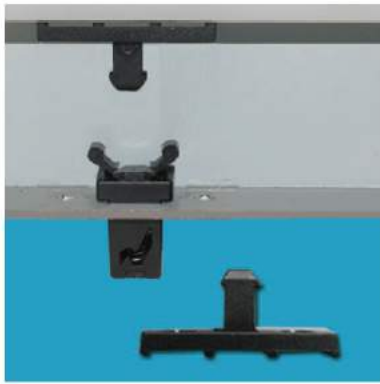


扣具 PUSH LATCH STRIKER

MATERIAL: NYLON 66(UL)
FLAME CLASS: 94V-2
COLOR: BLACK

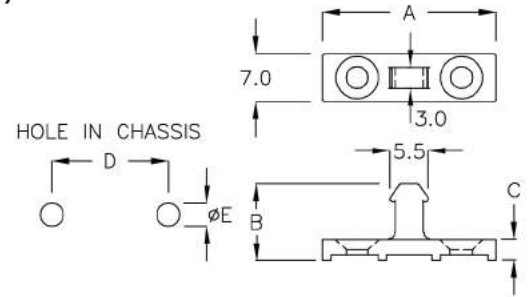


PART NO	A	B	C	D	E	SUITABLE P.G. PUSH LATCH	PACKAGE
DL-001	25.0	10.1	2.1	15.0	3.2	DL-100B, DL-400D	1000
DL-003	21.0	7.7	2.0	14.0	2.8	DL-100C, DL-150C, DL-400D	



扣具 PUSH LATCH STRIKER

MATERIAL: NYLON 66(UL)
 FLAME CLASS: 94V-2
 COLOR: BLACK



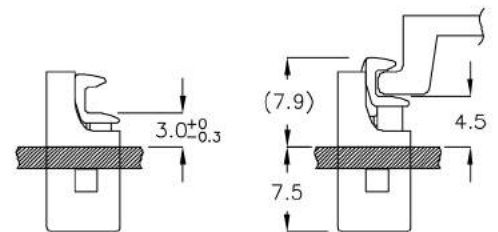
PART NO	A	B	C	D	E	SUITABLE P.G. PUSH LATCH	PACKAGE
DL-002	25.0	11.0	3.0	15.0	3.2	DL-100A,DL-100C DL-150C,DL-400D	1000



門扣 PUSH LATCH

MATERIAL: NYLON 66(UL),PC(UL)
 FLAME CLASS: 94V-2
 COLOR: BLACK

PART NO	A	PACKAGE
DL-250	6.65	1000

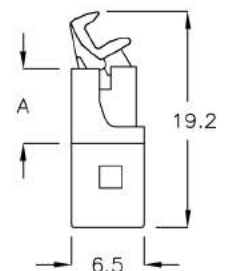
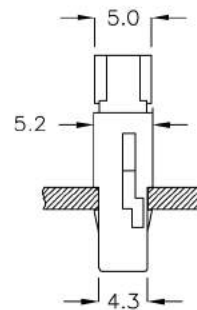
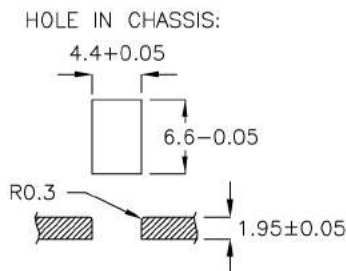
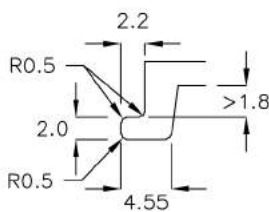


夾子欲下壓產生扣住功能時
 行程距離卡板頂端衝程
 3.0mm

Maximum Push-IN Position

夾子扣住時
 夾子頂端位置
 距離卡板頂端
 4.5mm

Close Position

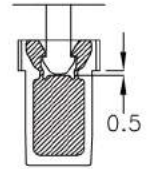
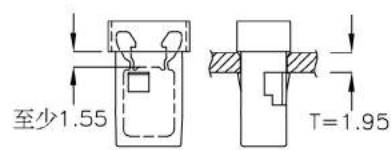
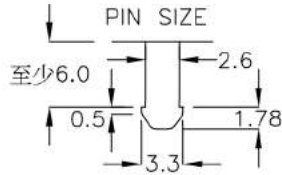




門扣 PUSH LATCH

MATERIAL: NYLON 66(UL), PC(UL)
 FLAME CLASS: 94V-2
 COLOR: BLACK

PART NO	A	PACKAGE
DL-220C	2.95	1000



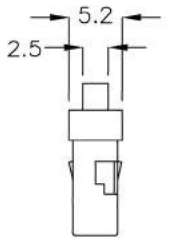
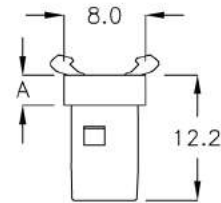
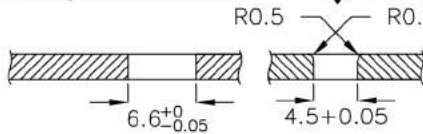
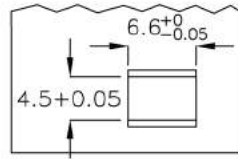
HOLE IN CHASSIS:
 CHASSIS THICKNESS :1.95mm

夾子欲下壓產生扣住功能時
 行程距離卡板頂端衝程
 至少需1.55mm

Maximum Push-IN Position

夾子扣住時
 夾子頂端位置
 距離卡板頂端
 0.5mm

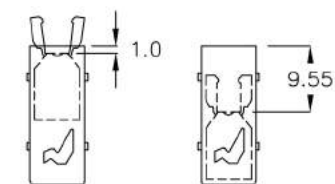
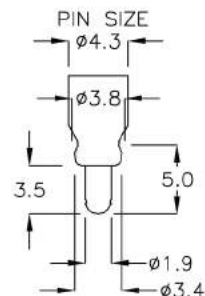
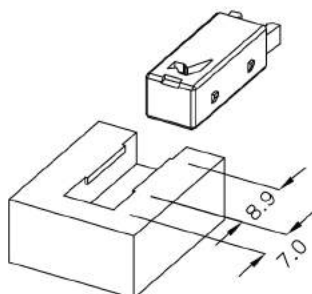
Close Position



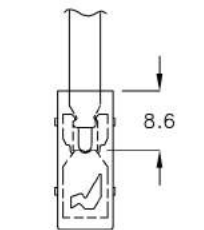
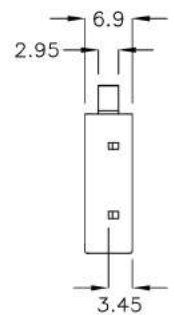
門扣 PUSH LATCH

MATERIAL: NYLON 66(UL), PC(UL)
 FLAME CLASS: 94V-2
 COLOR: BLACK

PART NO	A	PACKAGE
DL-550	5	1000

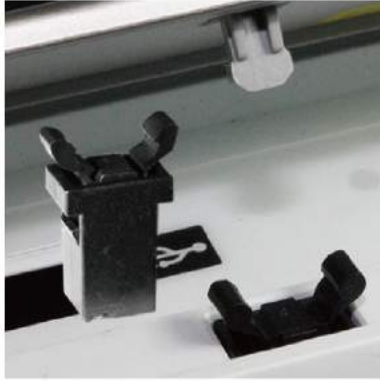


夾子欲下壓產生扣住功能時
 行程距離外殼頂端衝程至少需9.55mm
 Maximum Push-IN Position

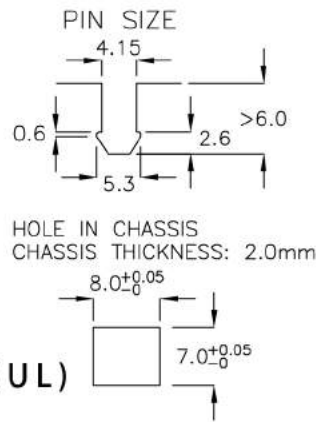


夾子扣住時
 夾子頂端位置
 距離外殼頂端8.6mm
 Close Position

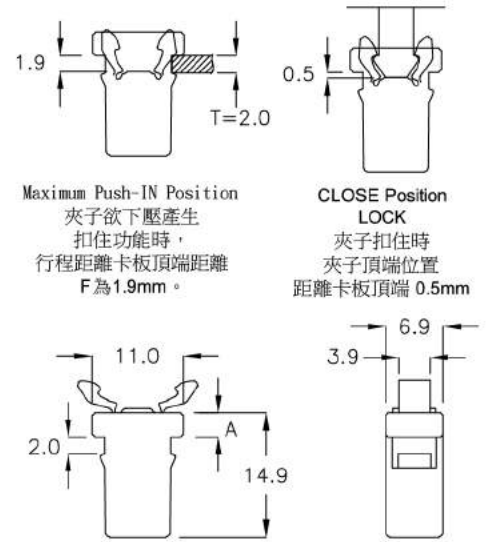
門扣 PUSH LATCH



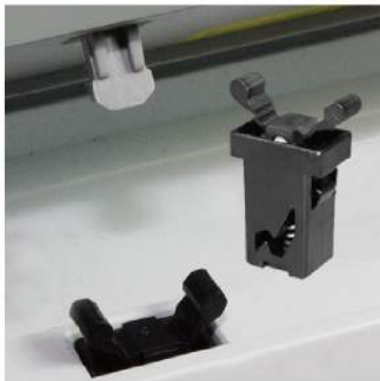
MATERIAL: NYLON 66(UL),PC(UL)
 FLAME CLASS: 94V-2
 COLOR: BLACK



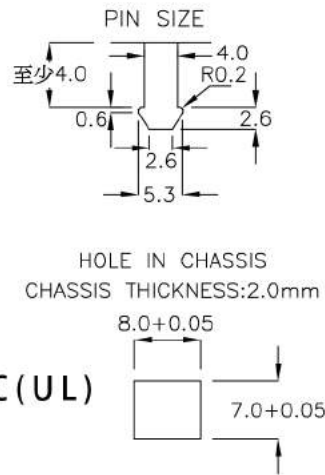
PART NO	A	PACKAGE
DL-650C	2.9	1000



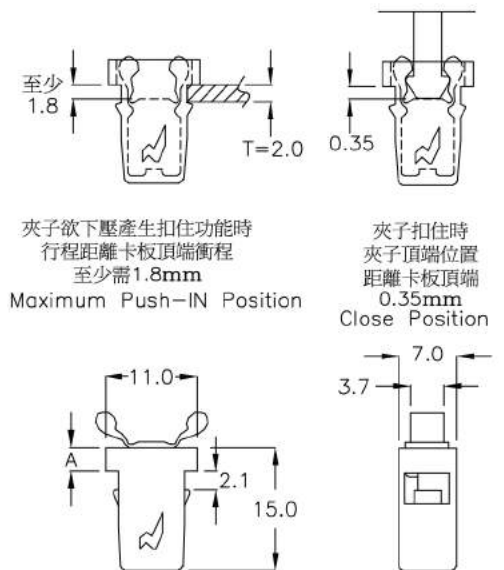
門扣 PUSH LATCH



MATERIAL: NYLON 66(UL),PC(UL)
 FLAME CLASS: 94V-2
 COLOR: BLACK,GRAY

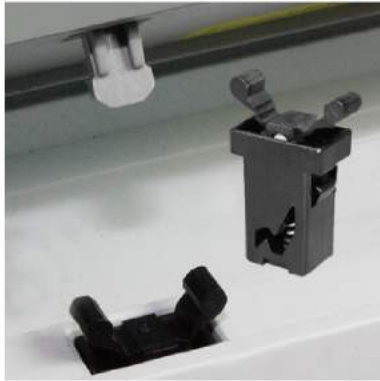


PART NO	A	PACKAGE
DL-100A	2.9	1000

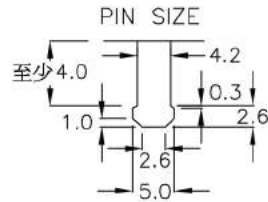


1-12-1

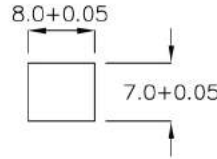
門扣 PUSH LATCH



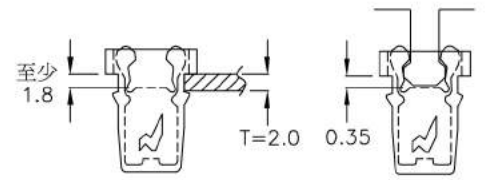
MATERIAL: NYLON 66(UL),PC(UL)
FLAME CLASS: 94V-2
COLOR: BLACK,GRAY



HOLE IN CHASSIS
 CHASSIS THICKNESS:2.0mm

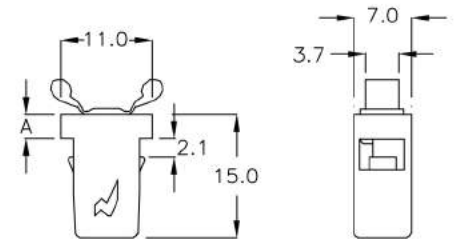


PART NO	A	PACKAGE
DL-100B	2.9	1000



夾子欲下壓產生扣住功能時
 行程距離卡板頂端衝程
 至少需1.8mm
 Maximum Push-IN Position

夾子扣住時
 夾子頂端位置
 距離卡板頂端
 0.35mm
 Close Position

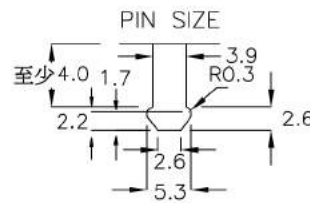


1-12-2

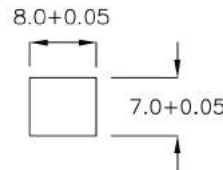
門扣 PUSH LATCH



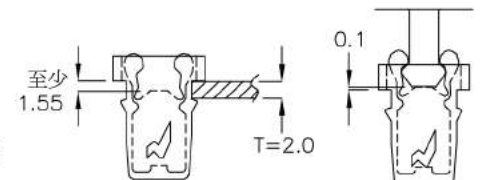
MATERIAL: NYLON 66(UL),PC(UL)
FLAME CLASS: 94V-2
COLOR: BLACK,GRAY



HOLE IN CHASSIS
 CHASSIS THICKNESS:2.0mm

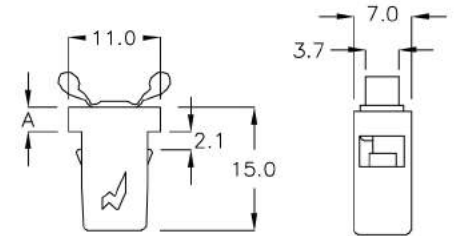


PART NO	A	PACKAGE
DL-100C	2.9	1000



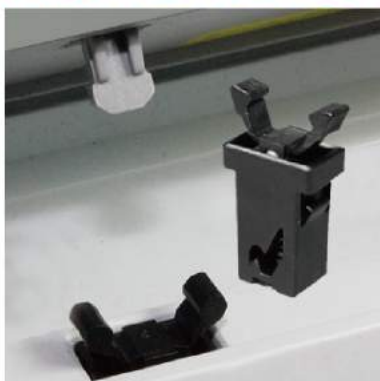
夾子欲下壓產生扣住功能時
 行程距離卡板頂端衝程
 至少需1.55mm
 Maximum Push-IN Position

夾子扣住時
 夾子頂端位置
 距離卡板頂端
 0.1mm
 Close Position

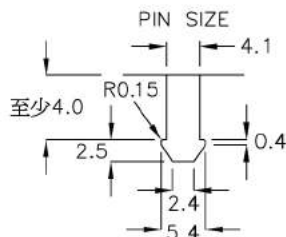


1-12-3

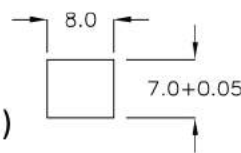
門扣 PUSH LATCH



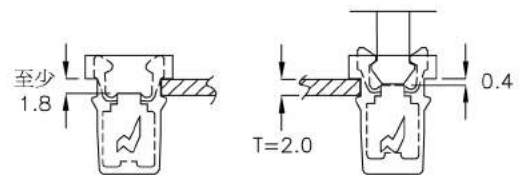
MATERIAL: NYLON 66(UL),PC(UL)
FLAME CLASS: 94V-2
COLOR: BLACK,GRAY



HOLE IN CHASSIS
 CHASSIS THICKNESS:2.0mm

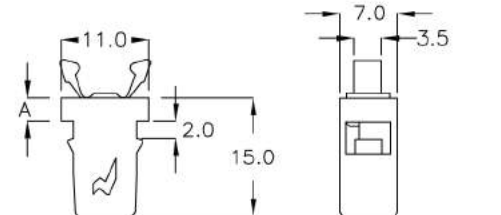


PART NO	A	PACKAGE
DL-150C	2.9	1000

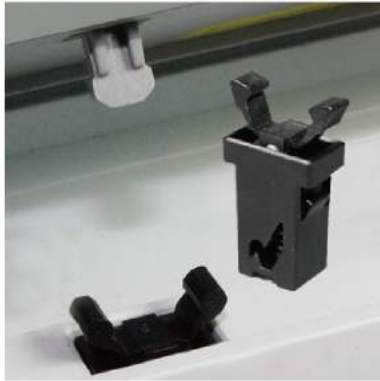


夾子欲下壓產生扣住功能時
 行程距離卡板頂端衝程至少需1.8mm
 Maximum Push-IN Position

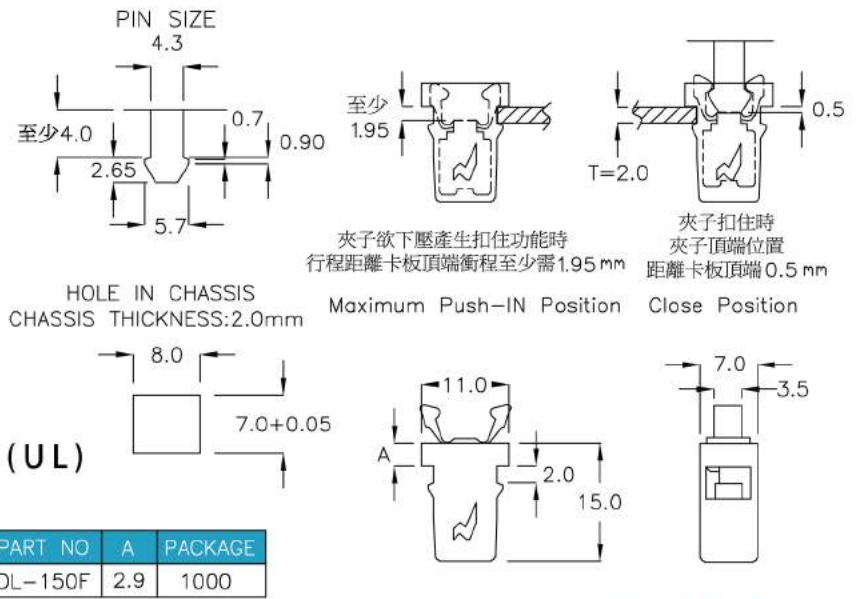
夾子扣住時
 夾子頂端位置
 距離卡板頂端
 0.4mm
 Close Position



門扣 PUSH LATCH



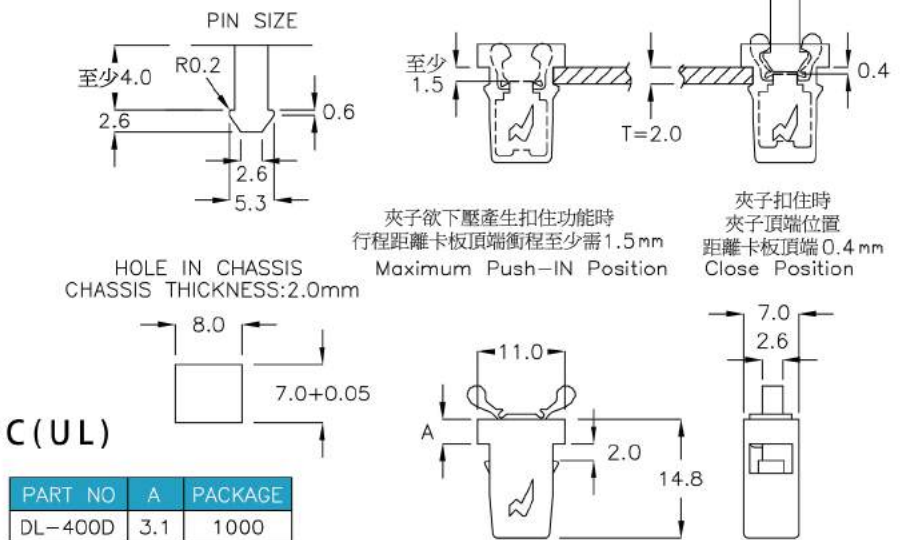
MATERIAL: NYLON 66(UL),PC(UL)
FLAME CLASS: 94V-2
COLOR: BLACK,GRAY



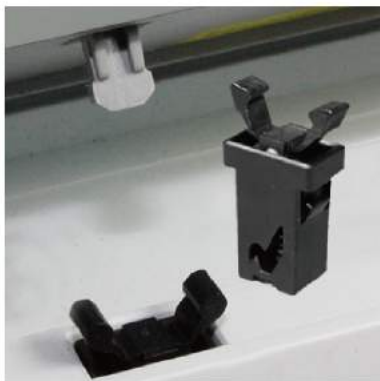
門扣 PUSH LATCH



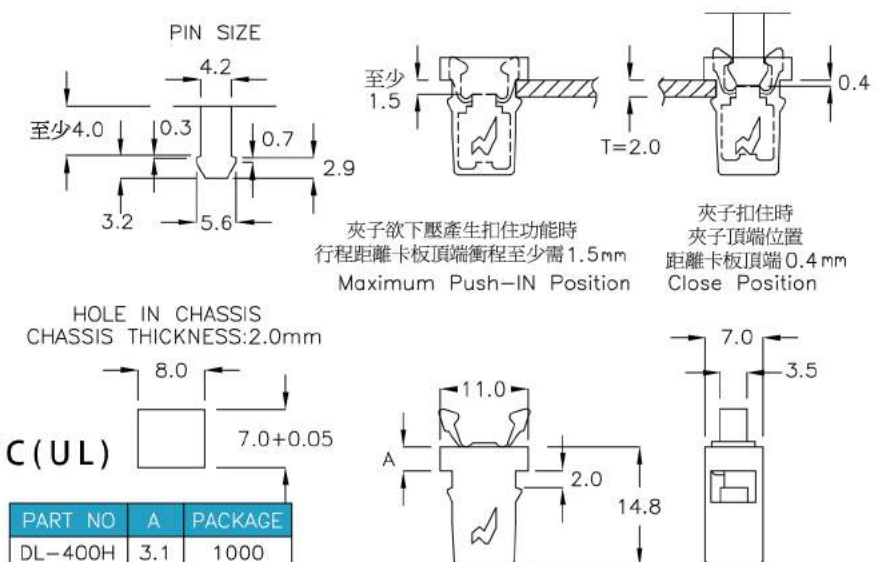
MATERIAL: NYLON 66(UL),PC(UL)
FLAME CLASS: 94V-2
COLOR: BLACK,GRAY



門扣 PUSH LATCH

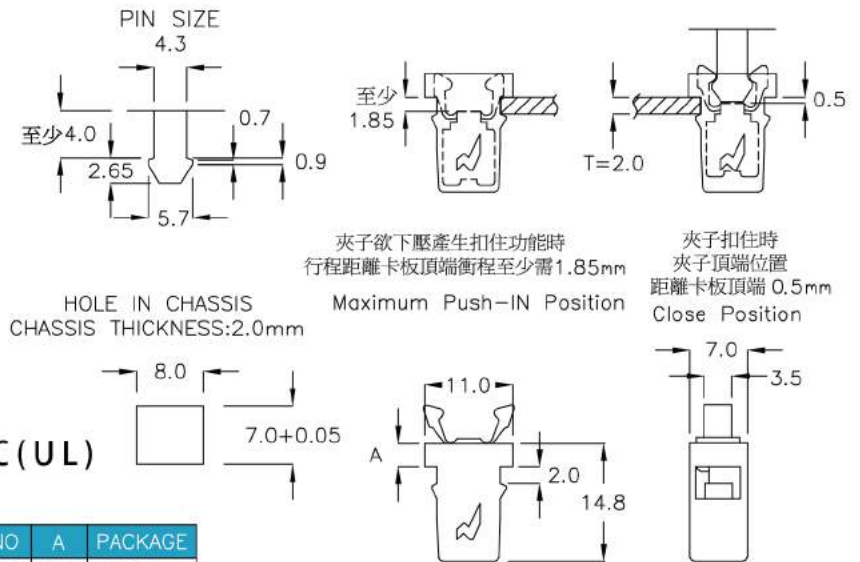
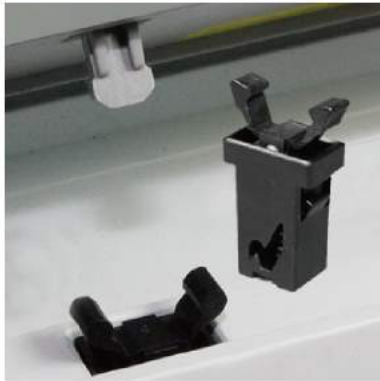


MATERIAL: NYLON 66(UL),PC(UL)
FLAME CLASS: 94V-2
COLOR: BLACK,GRAY



1-14-1

門扣 PUSH LATCH

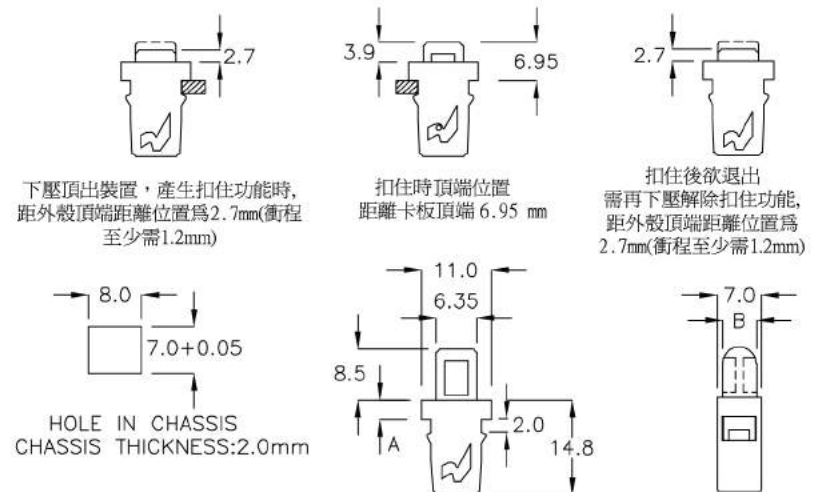


MATERIAL: NYLON 66(UL),PC(UL)
FLAME CLASS: 94V-2
COLOR: BLACK,GRAY

PART NO	A	PACKAGE
DL-700F	2.9	1000

1-14-2

門扣 PUSH LATCH

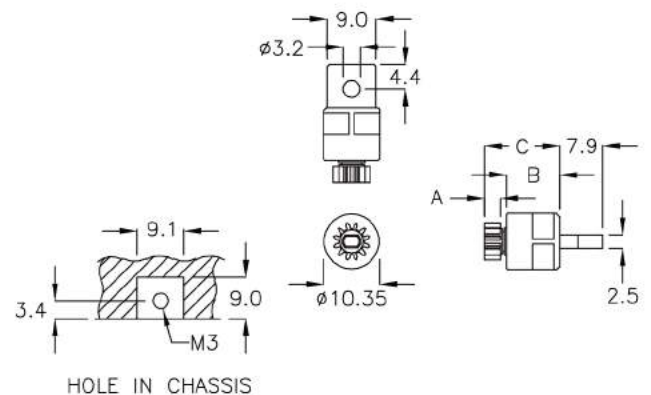


MATERIAL: NYLON 66(UL)
,PC(UL)
FLAME CLASS: 94V-2
COLOR: BLACK

PART NO	A	B	PACKAGE
DL-400P	3.1	5.3	1000

1-14-3

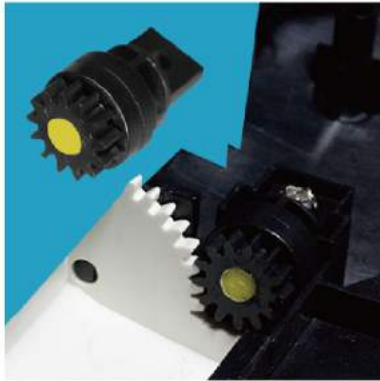
塑膠阻尼器 ROTARY DAMPER



MATERIAL: PC,POM
COLOR:
BLACK,NATURAL

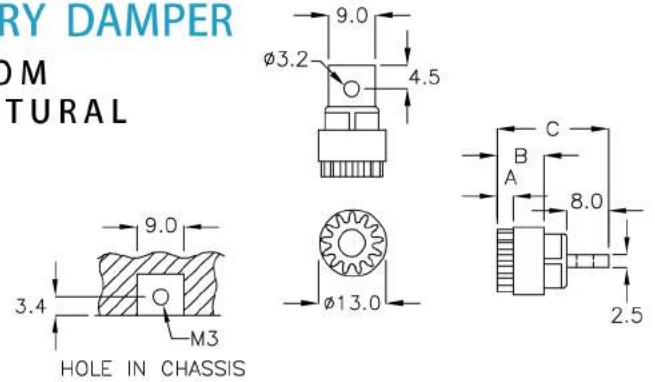
PART NO	PITCH DIAMETER	MODULE	TOOTH NUMBER	PRESSURE ANGLE	A	B	C	TORQUE (gf-cm)	PACKAGE
PG-10	ø6.0	0.5	12	20'	3.0	9.8	13.8	10~45	500

TORQUE VALUE CAN BE CUSTOMIZED PER CUSTOMERS' DEMAND



塑膠阻尼器 ROTARY DAMPER

MATERIAL: ABS, POM
COLOR: BLACK, NATURAL



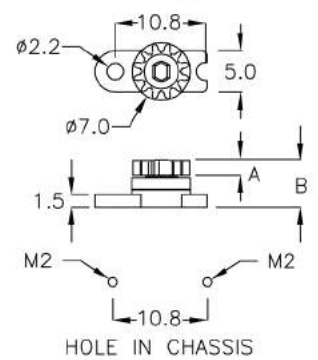
PART NO	PITCH DIAMETER	MODULE	TOOTH NUMBER	PRESSURE ANGLE	A	B	C	TORQUE (gf-cm)	PACKAGE
PG-01A	∅10.4	0.8	13	20°	3.2	9.0	22.0	23,38,63	500
PG-01K	∅8.8	0.8	11	20°	3.0	8.8	21.8		

TORQUE VALUE CAN BE CUSTOMIZED PER CUSTOMERS' DEMAND



塑膠阻尼器 ROTARY DAMPER

MALE MATERIAL: PC(UL)
FLAME CLASS: 94V-2
MATERIAL: POM
FLAME CLASS: 94HB
AVAILABLE TORQUE: 7~30 gf-cm



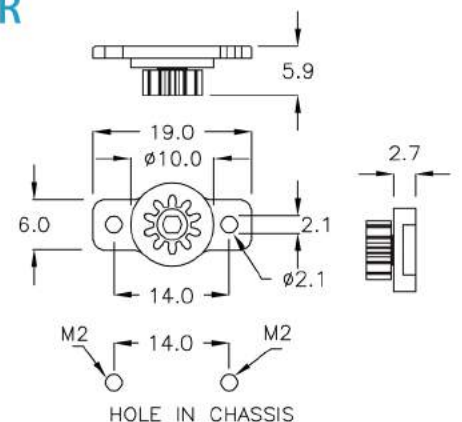
PART NO	PITCH DIAMETER	MODULE	TOOTH NUMBER	PRESSURE ANGLE	A	B	PACKAGE
PG-04K	∅6.0	0.5	12	20°	1.8	5.7	1000

TORQUE VALUE CAN BE CUSTOMIZED PER CUSTOMERS' DEMAND
INSTALLATION: IS JAMED BY THE CLIP



塑膠阻尼器 ROTARY DAMPER

MATERIAL: PC(UL)
FLAME CLASS: 94V-2
MATERIAL: POM
FLAME CLASS: 94HB
COLOR: BLACK
PITCH DIAMETER: ∅ 6.0
MODULE: 0.6
TOOTH NUMBER: 10
PRESSURE ANGLE: 20°



PART NO	TORQUE(gf-cm)	PACKAGE
PG-07S	10~75	1000

TORQUE VALUE CAN BE CUSTOMIZED PER CUSTOMERS' DEMAND

1-16-1

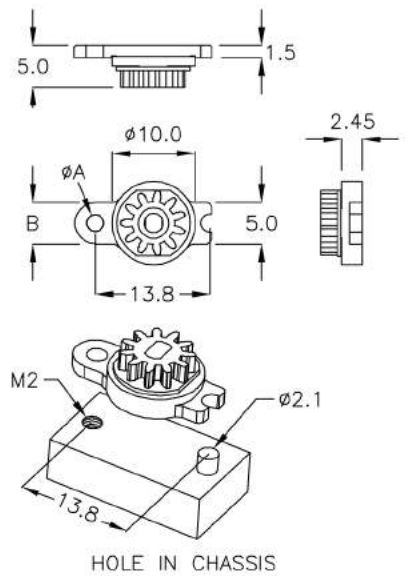


塑膠阻尼器 ROTARY DAMPER

MATERIAL: ABS,POM
 COLOR: BLACK
 PITCH DIAMETER: $\Phi 6.6$
 MODULE: 0.6
 TOOTH NUMBER: 11
 PRESSURE ANGLE: 20°

PART NO	A	B	TORQUE (gf-cm)	PACKAGE
PG-07M	2.1	5.0	15,25,45,60	1000
PG-07F	2.7	5.6	15,25,45,60	

TORQUE VALUE CAN BE CUSTOMIZED PER CUSTOMERS' DEMAND



1-16-2

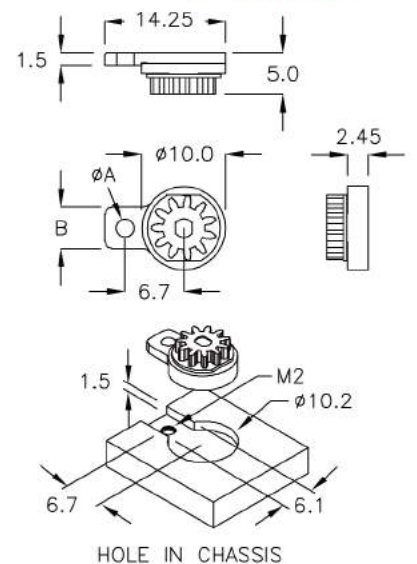


塑膠阻尼器 ROTARY DAMPER

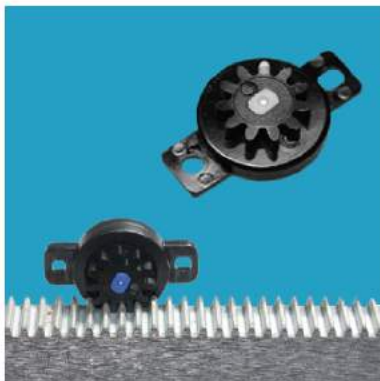
MATERIAL: ABS,POM
 COLOR: BLACK
 PITCH DIAMETER: $\Phi 6.6$
 MODULE: 0.6
 TOOTH NUMBER: 11
 PRESSURE ANGLE: 20°

PART NO	A	B	TORQUE (gf-cm)	PACKAGE
PG-7BP	2.1	6.0	15,25,45,60	1000

TORQUE VALUE CAN BE CUSTOMIZED PER CUSTOMERS' DEMAND

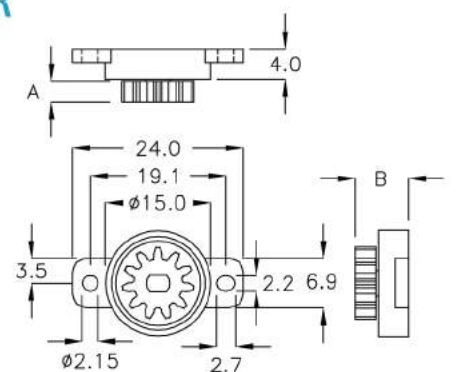
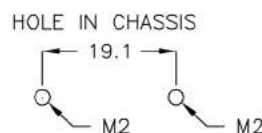


1-16-3



塑膠阻尼器 ROTARY DAMPER

MATERIAL: ABS,POM
 COLOR: BLACK



PART NO	PITCH DIAMETER	MODULE	TOOTH NUMBER	PRESSURE ANGLE	A	B	TORQUE (gf-cm)	PACKAGE
PG-3AS	$\Phi 8.8$	0.8	11	20°	3.0	7.5	15	500
PG-3MS	$\Phi 10.4$	0.8	13	20°	3.0	7.5		

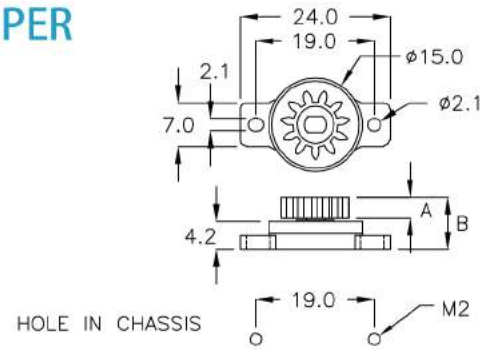
TORQUE VALUE CAN BE CUSTOMIZED PER CUSTOMERS' DEMAND

1-17-1



塑膠阻尼器 ROTARY DAMPER

MALE MATERIAL: PC(UL)
 FLAME CLASS: 94V-2
 MATERIAL: POM
 FLAME CLASS: 94HB
 COLOR: BLACK



PART NO	PITCH DIAMETER	MODULE	TOOTH NUMBER	PRESSURE ANGLE	A	B	TORQUE (gf-cm)	PACKAGE
PG-13	ø8.8	0.8	11	20°	3.0	7.7	45,70,100,130,	500
PG-13M	ø10.4	0.8	13	20°	3.0	7.7	150,200,230,270	

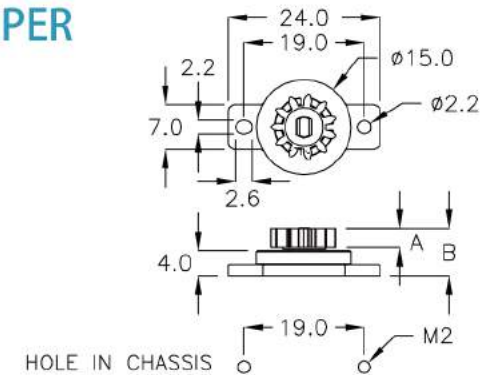
TORQUE VALUE CAN BE CUSTOMIZED PER CUSTOMERS' DEMAND

1-17-2



塑膠阻尼器 ROTARY DAMPER

MALE MATERIAL: PC(UL)
 FLAME CLASS: 94V-2
 MALE MATERIAL: POM
 FLAME CLASS: 94HB
 COLOR: BLACK



PART NO	PITCH DIAMETER	MODULE	TOOTH NUMBER	PRESSURE ANGLE	A	B	TORQUE (gf-cm)	PACKAGE
★ PG-13QR	ø8.8	0.8	11	20°	3.0	7.6	15~175	500
★ PG-13YP	ø10.4	0.8	13	20°	3.0	7.6		

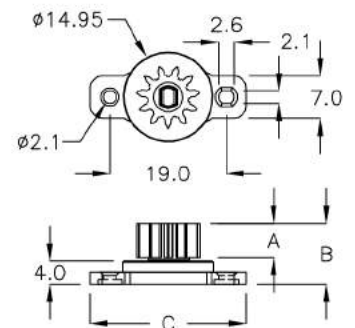
TORQUE VALUE CAN BE CUSTOMIZED PER CUSTOMERS' DEMAND

1-17-3



塑膠阻尼器 ROTARY DAMPER

MATERIAL: PC(UL)
 FLAME CLASS: 94V-2
 MATERIAL: POM
 FLAME CLASS: 94HB
 COLOR: BLACK
 AVAILABLE TORQUE:
 40~280 gf-cm



PART NO	PITCH DIAMETER	MODULE	TOOTH NUMBER	PRESSURE ANGLE	A	B	C	PACKAGE
PG-13DF	ø8.8	0.8	11	20°	5.6	10.0	24.0	500
PG-13HJ	ø8.8	0.8	11	20°	5.6	10.0	25.5	

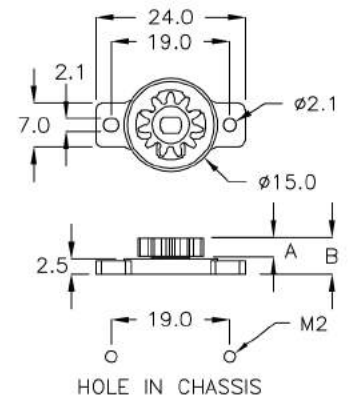
TORQUE VALUE CAN BE CUSTOMIZED PER CUSTOMERS' DEMAND

1-18-1



塑膠阻尼器 ROTARY DAMPER

MALE MATERIAL: PC(UL)
 FLAME CLASS: 94V-2
 MATERIAL: POM
 FLAME CLASS: 94HB
 COLOR: BLACK



PART NO	PITCH DIAMETER	MODULE	TOOTH NUMBER	PRESSURE ANGLE	A	B	TORQUE (gf-cm)	PACKAGE
PG-13PC	ø8.8	0.8	11	20°	3.0	6.0	45~155	500
PG-13PL	ø10.4	0.8	13	20°	3.0	6.0		

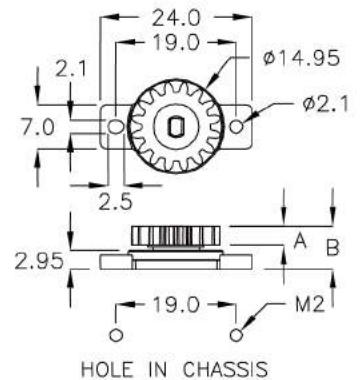
TORQUE VALUE CAN BE CUSTOMIZED PER CUSTOMERS' DEMAND

1-18-2



塑膠阻尼器 ROTARY DAMPER

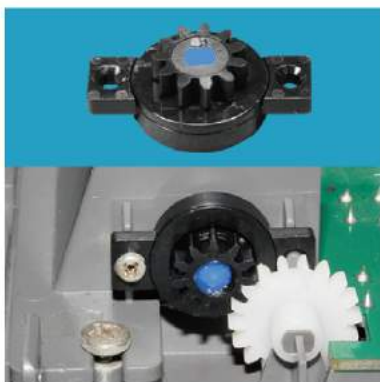
MALE MATERIAL: PC(UL)
 FLAME CLASS: 94V-2
 MALE MATERIAL: POM
 FLAME CLASS: 94HB
 COLOR: BLACK



PART NO	PITCH DIAMETER	MODULE	TOOTH NUMBER	PRESSURE ANGLE	A	B	TORQUE (gf-cm)	PACKAGE
★ PG-21	ø12.8	0.8	16	20°	3.0	6.8	12,25	500

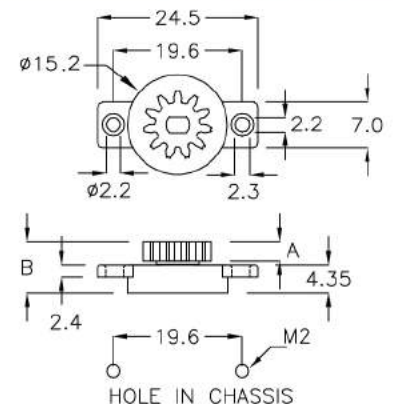
TORQUE VALUE CAN BE CUSTOMIZED PER CUSTOMERS' DEMAND

1-18-3



塑膠阻尼器 ROTARY DAMPER

MATERIAL: ABS,POM
 COLOR: BLACK
 AVAILABLE TORQUE:
 15,45,100,130gf-cm



PART NO	PITCH DIAMETER	MODULE	TOOTH NUMBER	PRESSURE ANGLE	A	B	PACKAGE
PG-8CS	ø8.8	0.8	11	20°	3.0	7.85	500
PG-8FS	ø10.4	0.8	13	20°	3.0	7.85	

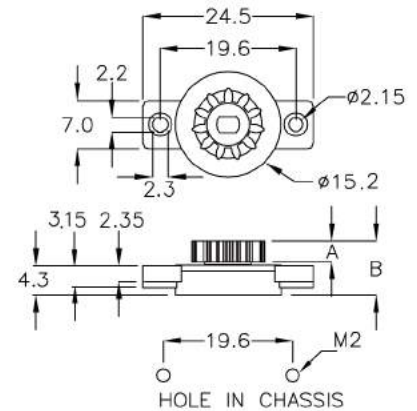
TORQUE VALUE CAN BE CUSTOMIZED PER CUSTOMERS' DEMAND

1-19-1



塑膠阻尼器 ROTARY DAMPER

MATERIAL: PC(UL)
 FLAME CLASS: 94V-2
 MATERIAL: POM
 FLAME CLASS: 94HB
 COLOR: BLACK
 AVAILABLE TORQUE:
 60, 110, 190gf-cm



PART NO	PITCH DIAMETER	MODULE	TOOTH NUMBER	PRESSURE ANGLE	A	B	PACKAGE
PG-08H	ø8.8	0.8	11	20°	3.0	7.85	500

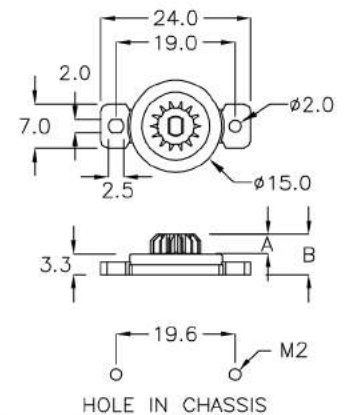
TORQUE VALUE CAN BE CUSTOMIZED PER CUSTOMERS' DEMAND

1-19-2



塑膠阻尼器 ROTARY DAMPER

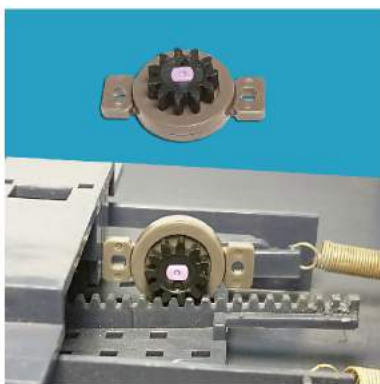
MATERIAL: PC(UL)
 FLAME CLASS: 94V-2
 MATERIAL: POM
 FLAME CLASS: 94HB
 COLOR: GRAY



PART NO	PITCH DIAMETER	MODULE	TOOTH NUMBER	PRESSURE ANGLE	A	B	TORQUE (gf-cm)	PACKAGE
PG-15	ø7.0	0.5	14	20°	3.0	6.4	25~110	500

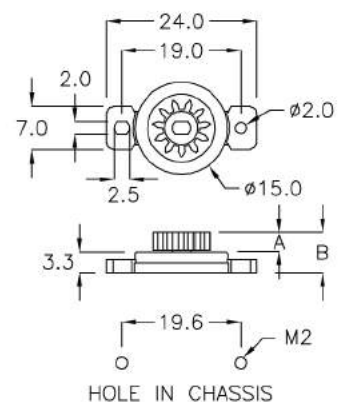
TORQUE VALUE CAN BE CUSTOMIZED PER CUSTOMERS' DEMAND

1-19-3



塑膠阻尼器 ROTARY DAMPER

MATERIAL: PC(UL)
 FLAME CLASS: 94V-2
 MATERIAL: POM
 FLAME CLASS: 94HB
 COLOR: GRAY



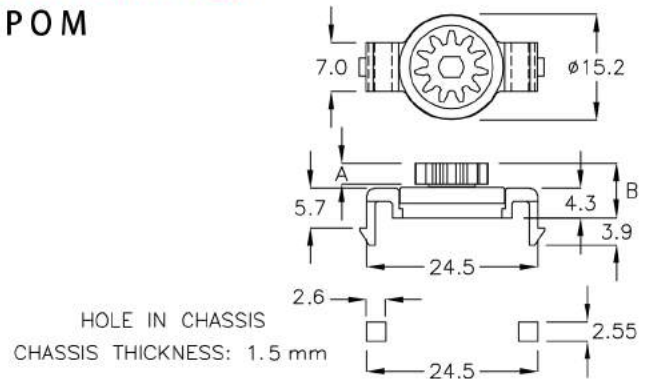
PART NO	PITCH DIAMETER	MODULE	TOOTH NUMBER	PRESSURE ANGLE	A	B	TORQUE (gf-cm)	PACKAGE
PG-15A	ø8.8	0.8	11	20°	3.0	6.4	25~110	500

TORQUE VALUE CAN BE CUSTOMIZED PER CUSTOMERS' DEMAND



塑膠阻尼器 ROTARY DAMPER

MATERIAL: ABS, POM
COLOR: BLACK



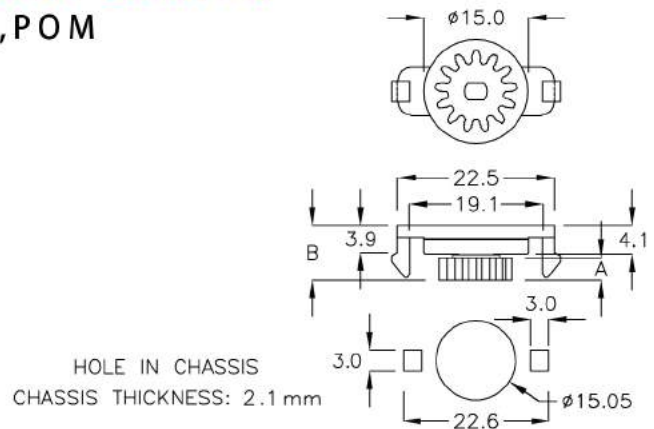
PART NO	PITCH DIAMETER	MODULE	TOOTH NUMBER	PRESSURE ANGLE	A	B	TORQUE (gf-cm)	PACKAGE
PG-8AS	ø8.8	0.8	11	20°	3.0	7.8	15,45	500
PG-8MS	ø10.4	0.8	13	20°	3.0	7.8	100,130	

TORQUE VALUE CAN BE CUSTOMIZED PER CUSTOMERS' DEMAND



塑膠阻尼器 ROTARY DAMPER

MATERIAL: ABS, POM
COLOR: BLACK



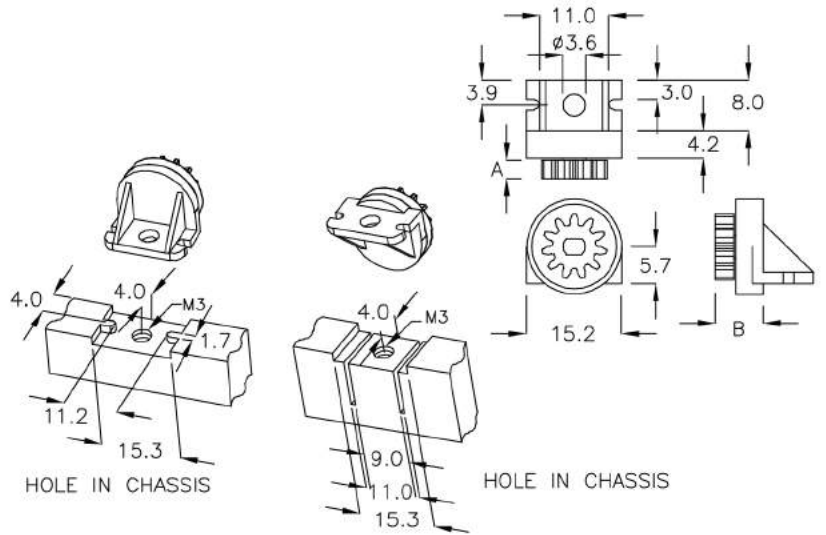
PART NO	PITCH DIAMETER	MODULE	TOOTH NUMBER	PRESSURE ANGLE	A	B	TORQUE (gf-cm)	PACKAGE
PG-8LS	ø8.8	0.8	11	20°	3.0	7.6	15,45	500
PG-8DS	ø10.4	0.8	13	20°	3.0	7.6	100,130	

TORQUE VALUE CAN BE CUSTOMIZED PER CUSTOMERS' DEMAND

塑膠阻尼器 ROTARY DAMPER



MATERIAL: ABS, POM
COLOR: BLACK



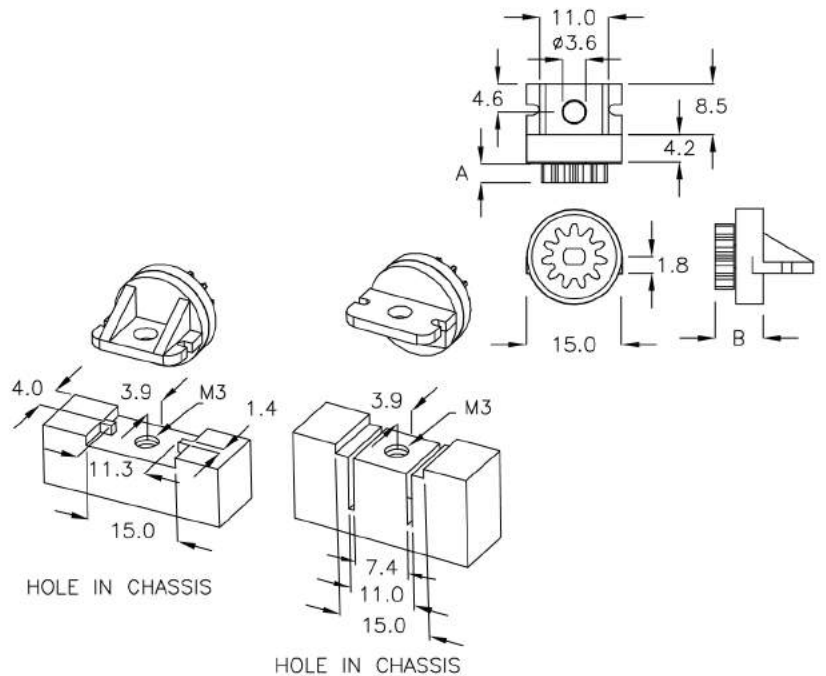
PART NO	PITCH DIAMETER	MODULE	TOOTH NUMBER	PRESSURE ANGLE	A	B	TORQUE (gf-cm)	PACKAGE
PG-5AS	ø8.8	0.8	11	20°	3.0	7.7	15	500
PG-5MS	ø10.4	0.8	13	20°	3.0	7.7		

TORQUE VALUE CAN BE CUSTOMIZED PER CUSTOMERS' DEMAND

塑膠阻尼器 ROTARY DAMPER



MATERIAL: ABS, POM
COLOR: BLACK



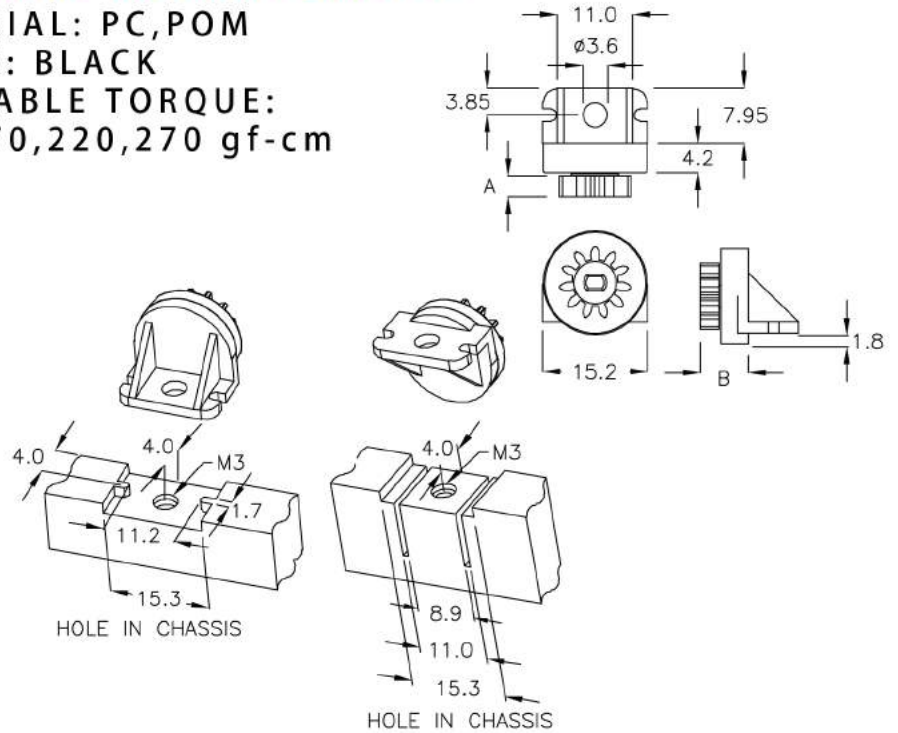
PART NO	PITCH DIAMETER	MODULE	TOOTH NUMBER	PRESSURE ANGLE	A	B	TORQUE (gf-cm)	PACKAGE
PG-5CS	ø8.8	0.8	11	20°	3.0	7.7	15,45	500
PG-5LS	ø10.4	0.8	13	20°	3.0	7.7		

TORQUE VALUE CAN BE CUSTOMIZED PER CUSTOMERS' DEMAND



塑膠阻尼器 ROTARY DAMPER

MATERIAL: PC, POM
 COLOR: BLACK
 AVAILABLE TORQUE:
 130, 170, 220, 270 gf-cm



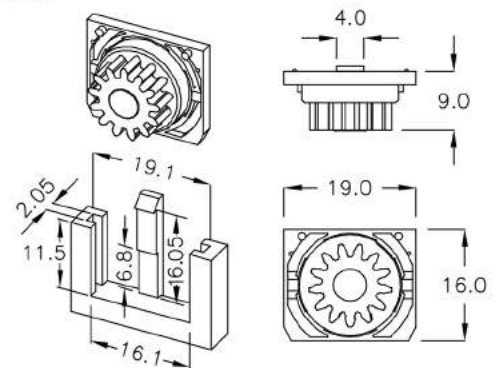
PART NO	PITCH DIAMETER	MODULE	TOOTH NUMBER	PRESSURE ANGLE	A	B	TORQUE (gf-cm)	PACKAGE
PG-12	ø8.8	0.8	11	20°	3.0	7.6	45, 70, 100, 130, 150, 200, 230, 270	500
PG-12M	ø10.4	0.8	13	20°	3.0	7.6		

TORQUE VALUE CAN BE CUSTOMIZED PER CUSTOMERS' DEMAND



塑膠阻尼器 ROTARY DAMPER

MATERIAL: POM
 COLOR: BLACK
 PITCH DIAMETER: $\Phi 10.4$
 MODULE: 0.8
 TOOTH NUMBER: 13
 PRESSURE ANGLE: 20°
 AVAILABLE TORQUE:
 45, 85 gf-cm



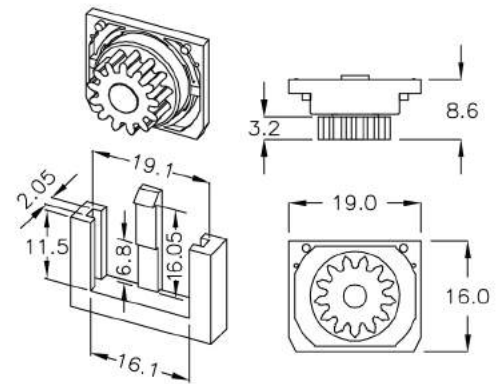
PART NO	PACKAGE
PG-06A	500

TORQUE VALUE CAN BE CUSTOMIZED PER CUSTOMERS' DEMAND
 INSTALLATION: IS JAMED BY THE CLIP



塑膠阻尼器 ROTARY DAMPER

MATERIAL: POM
 COLOR: BLACK
 PITCH DIAMETER: $\Phi 10.4$
 PRESSURE ANGLE: 20°
 MODULE: 0.8
 TOOTH NUMBER: 13
 AVAILABLE TORQUE:
 25,37,65gf-cm



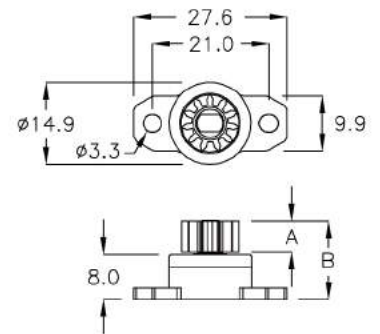
PART NO	PACKAGE
PG-06C	500

TORQUE VALUE CAN BE CUSTOMIZED PER CUSTOMERS' DEMAND
 INSTALLATION: IS JAMED BY THE CLIP



塑膠阻尼器 ROTARY DAMPER

MATERIAL: PC(UL)
 FLAME CLASS: 94V-2
 MATERIAL: POM
 FLAME CLASS: 94HB
 COLOR: BLACK



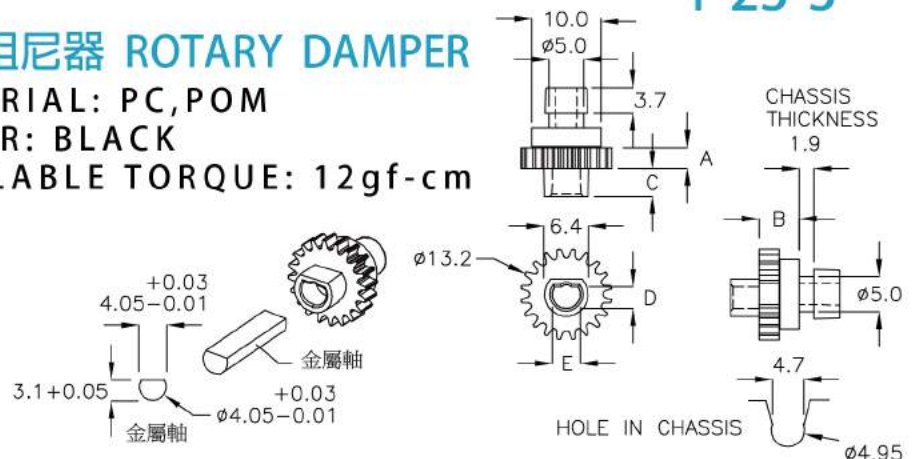
PART NO	PITCH DIAMETER	MODULE	TOOTH NUMBER	PRESSURE ANGLE	A	B	TORQUE (gf-cm)	PACKAGE
PG-16D	$\Phi 8.8$	0.8	11	20°	5.5	14.0	60~500	500

TORQUE VALUE CAN BE CUSTOMIZED PER CUSTOMERS' DEMAND



塑膠阻尼器 ROTARY DAMPER

MATERIAL: PC, POM
 COLOR: BLACK
 AVAILABLE TORQUE: 12gf-cm



PART NO	PITCH DIAMETER	MODULE	TOOTH NUMBER	PRESSURE ANGLE	A	B	C	D	E	TORQUE (gf-cm)	PACKAGE
PG-17	$\Phi 12.0$	0.6	20	20°	3.0	6.15	4.0	3.05	4.05	13	500
PG-18	$\Phi 12.0$	0.6	20	20°	3.0	7.15	3.0	3.7	4.7	25	

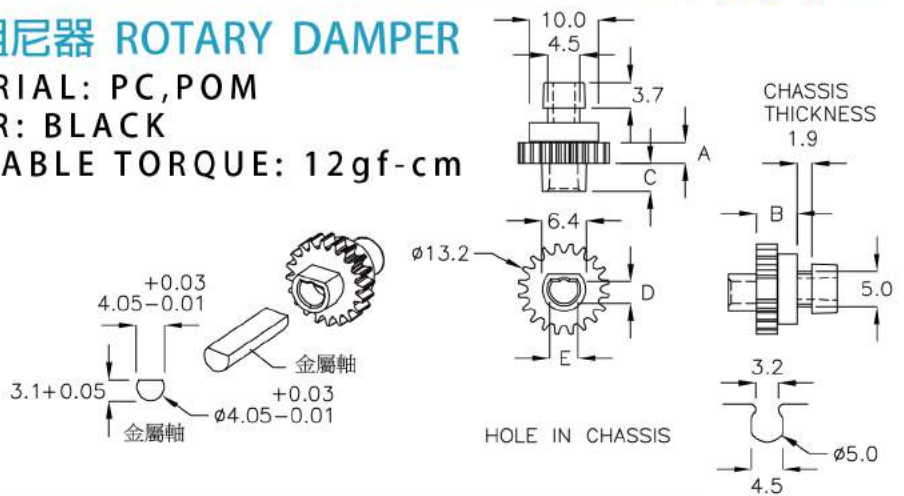
TORQUE VALUE CAN BE CUSTOMIZED PER CUSTOMERS' DEMAND

1-24-1



塑膠阻尼器 ROTARY DAMPER

MATERIAL: PC, POM
 COLOR: BLACK
 AVAILABLE TORQUE: 12gf-cm



PART NO	PITCH DIAMETER	MODULE	TOOTH NUMBER	PRESSURE ANGLE	A	B	C	D	E	TORQUE (gf-cm)	PACKAGE
PG-17MD	ø12.0	0.6	20	20°	3.0	6.15	4.0	3.05	4.05	13	500

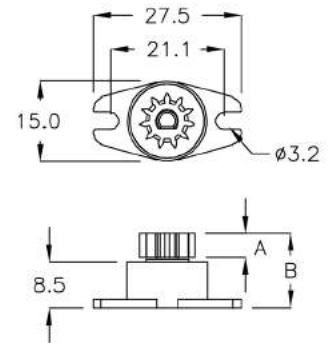
TORQUE VALUE CAN BE CUSTOMIZED PER CUSTOMERS' DEMAND

1-24-2



塑膠阻尼器 ROTARY DAMPER

MATERIAL: PC(UL)
 FLAME CLASS: 94V-2
 MATERIAL: POM
 FLAME CLASS: 94HB
 COLOR: BLACK
 AVAILABLE TORQUE: 220gf-cm



PART NO	PITCH DIAMETER	MODULE	TOOTH NUMBER	PRESSURE ANGLE	A	B	PACKAGE
PG-22	ø8.8	0.8	11	20°	4.5	13.8	500

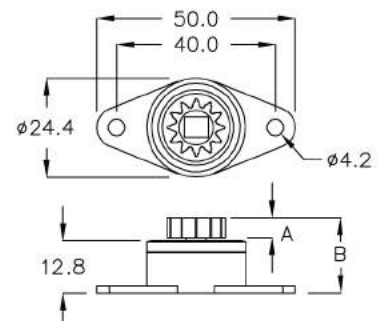
TORQUE VALUE CAN BE CUSTOMIZED PER CUSTOMERS' DEMAND

1-24-3



塑膠阻尼器 ROTARY DAMPER

MATERIAL: PC(UL)
 FLAME CLASS: 94V-2
 MATERIAL: POM
 FLAME CLASS: 94HB
 COLOR: BLACK
 AVAILABLE TORQUE: 500gf-cm



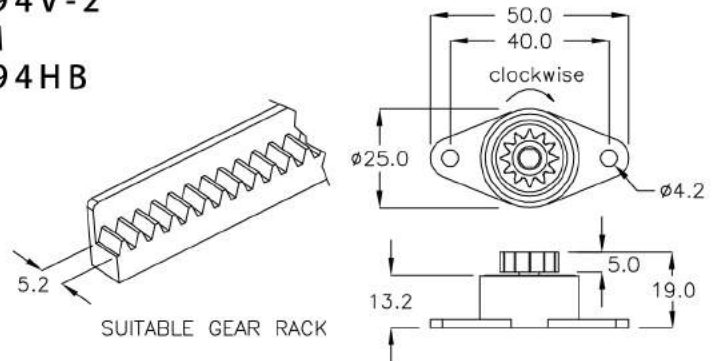
PART NO	PITCH DIAMETER	MODULE	TOOTH NUMBER	PRESSURE ANGLE	A	B	PACKAGE
PG-20	ø12.0	1.0	12	20°	5.0	18.2	64

TORQUE VALUE CAN BE CUSTOMIZED PER CUSTOMERS' DEMAND



塑膠阻尼器 ROTARY DAMPER

MATERIAL: PC(UL)
 FLAME CLASS: 94V-2
 MATERIAL: POM
 FLAME CLASS: 94HB
 COLOR: BLACK



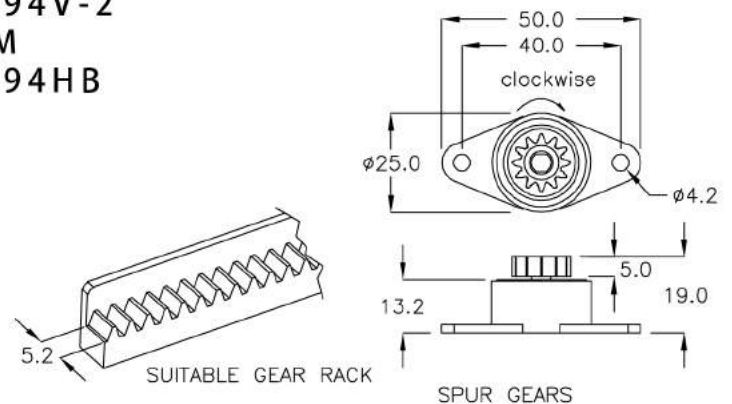
PART NO	PITCH DIAMETER	MODULE	TOOTH NUMBER	PRESSURE ANGLE	TORQUE gf-cm		PACKAGE
					withershin	clockwise	
PG-30-600	ø12.0	1.0	12	20°	600	50	64
PG-30-1400	ø12.0	1.0	12	20°	1400	50	

TORQUE VALUE CAN BE CUSTOMIZED PER CUSTOMERS' DEMAND



塑膠阻尼器 ROTARY DAMPER

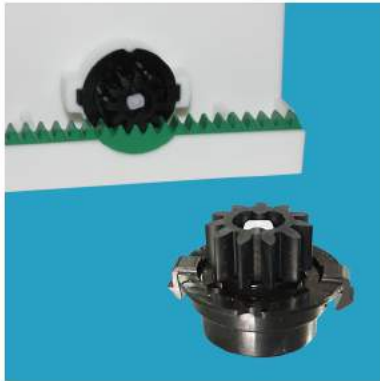
MATERIAL: PC(UL)
 FLAME CLASS: 94V-2
 MATERIAL: POM
 FLAME CLASS: 94HB
 COLOR: BLACK



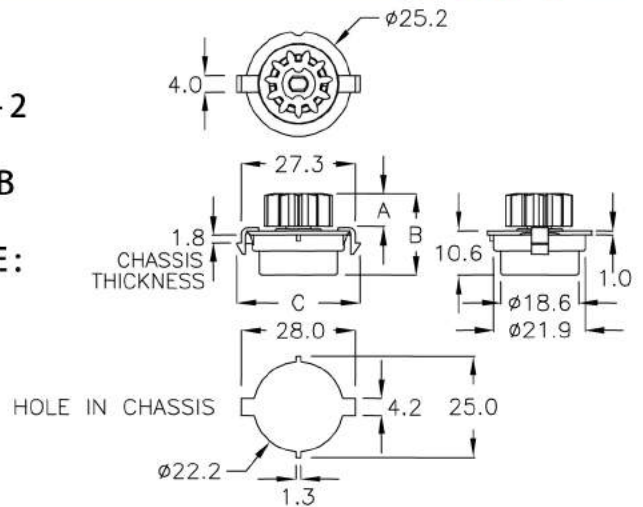
PART NO	PITCH DIAMETER	MODULE	TOOTH NUMBER	TYPE OF GEARS	PRESSURE ANGLE	TORQUE gf-cm		PACKAGE
						withershin	clockwise	
PG-50-600	ø12.0	1.0	12	SPUR GEARS	20°	600	50	64
PG-50-1400	ø12.0	1.0	12	SPUR GEARS	20°	1400	50	

TORQUE VALUE CAN BE CUSTOMIZED PER CUSTOMERS' DEMAND

塑膠阻尼器 ROTARY DAMPER



MATERIAL: PC(UL)
 FLAME CLASS: 94V-2
 MATERIAL: POM
 FLAME CLASS: 94HB
 COLOR: BLACK
 AVAILABLE TORQUE:
 100gf-cm



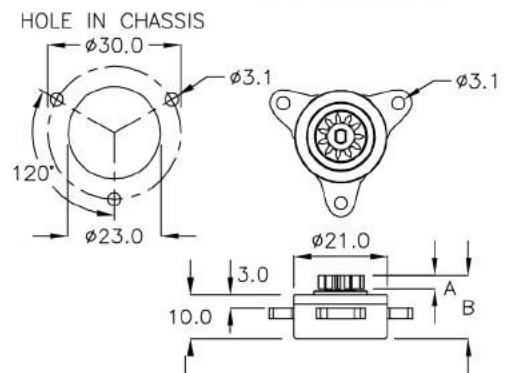
PART NO	PITCH DIAMETER	MODULE	TOOTH NUMBER	PRESSURE ANGLE	A	B	C	PACKAGE
PG-27	ø13.75	1.25	11	20°	7.9	19.5	29.3	200

TORQUE VALUE CAN BE CUSTOMIZED PER CUSTOMERS' DEMAND

塑膠阻尼器 ROTARY DAMPER



MATERIAL: PC(UL)
 FLAME CLASS: 94V-2
 MATERIAL: POM
 FLAME CLASS: 94HB
 COLOR: BLACK
 AVAILABLE TORQUE:
 400gf-cm



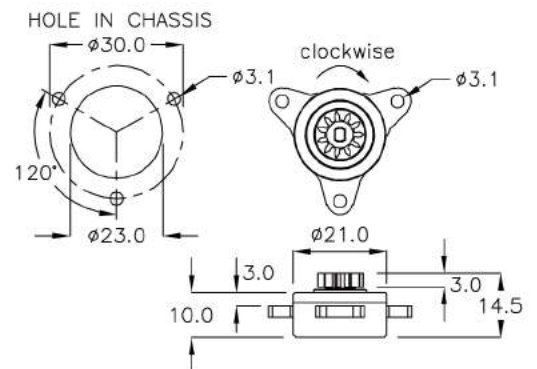
PART NO	PITCH DIAMETER	MODULE	TOOTH NUMBER	PRESSURE ANGLE	A	B	PACKAGE
PG-40	ø8.8	0.8	11	20°	3.0	14.5	200

TORQUE VALUE CAN BE CUSTOMIZED PER CUSTOMERS' DEMAND

塑膠阻尼器 ROTARY DAMPER



MATERIAL: PC(UL)
 FLAME CLASS: 94V-2
 MATERIAL: POM
 FLAME CLASS: 94HB
 COLOR: BLACK



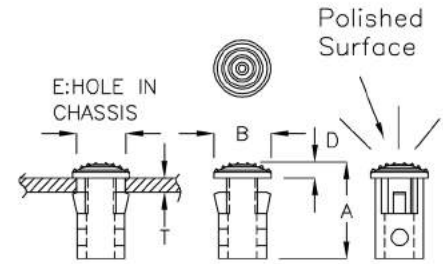
PART NO	PITCH DIAMETER	MODULE	TOOTH NUMBER	PRESSURE ANGLE	TORQUE gf-cm		PACKAGE
					withershin	clockwise	
PG-45-380	ø8.8	0.8	11	20°	380	140	200
PG-45-700	ø8.8	0.8	11	20°	700	200	

TORQUE VALUE CAN BE CUSTOMIZED PER CUSTOMERS' DEMAND

導光罩 LIGHT TRANSPORTER



MATERIAL: PC(UL)
FLAME CLASS: 94V-2
COLOR: CLEAR

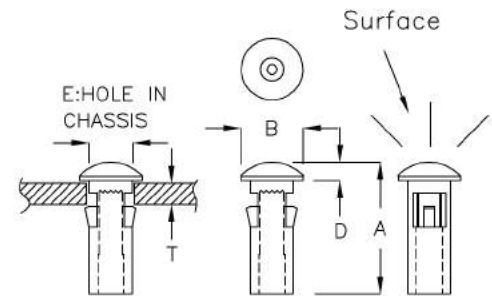


PART NO	A	B	D	E: HOLE IN CHASSIS	T CHASSIS THICKNESS	SUITABLE DIAMETER FIBER	PACKAGE
EDN-03	6.9	ø4.1	1.1	ø3.5	1.0	ø2.0	1000

導光罩 LIGHT TRANSPORTER



MATERIAL: PC(UL)
FLAME CLASS: 94V-2
COLOR: CLEAR

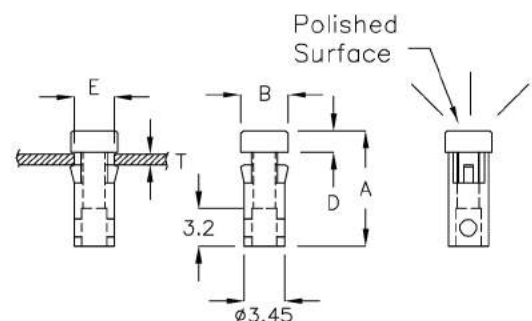


PART NO	SURFACE	A	B	D	E: HOLE IN CHASSIS	T: HOLE CHASSIS THICKNESS	SUITABLE DIAMETER FIBER	PACKAGE
EDN-3C	Matt	11.6	ø5.0	1.5	ø3.55	3.0	ø2.0	1000
EDN-5A	Polished	6.9	ø5.1	1.1	ø4.5	1.0	ø3.0	

導光罩 LIGHT TRANSPORTER



MATERIAL: PC(UL)
FLAME CLASS: 94V-2
COLOR: CLEAR

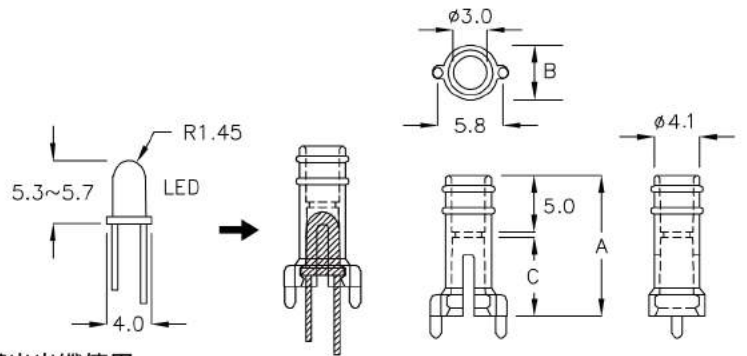


PART NO	A	B	D	E: HOLE IN CHASSIS	T: HOLE CHASSIS THICKNESS	SUITABLE DIAMETER FIBER	PACKAGE
EDN-3K	9.8	ø4.0	1.8	ø3.5	1.0	ø2.0	1000

LED座 LED HOUSING

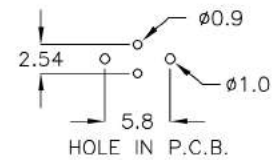


MATERIAL: NYLON 66(UL)
FLAME CLASS: 94V-2
COLOR: BLACK



搭配 $\phi 3$ 導光光纖使用

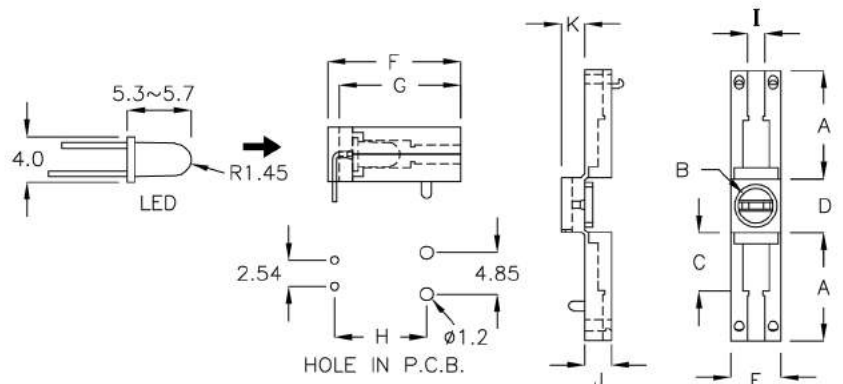
FOR $\phi 3$ 2 PIN LED LAMP					
PART NO	A	B	C	FIBER DIAMETER	PACKAGE
EDZ-2A	12.5	$\phi 4.9$	7.0	$\phi 3.0$	1000



LED座 LED HOUSING



MATERIAL: NYLON 66(UL)
FLAME CLASS: 94V-2
COLOR: BLACK



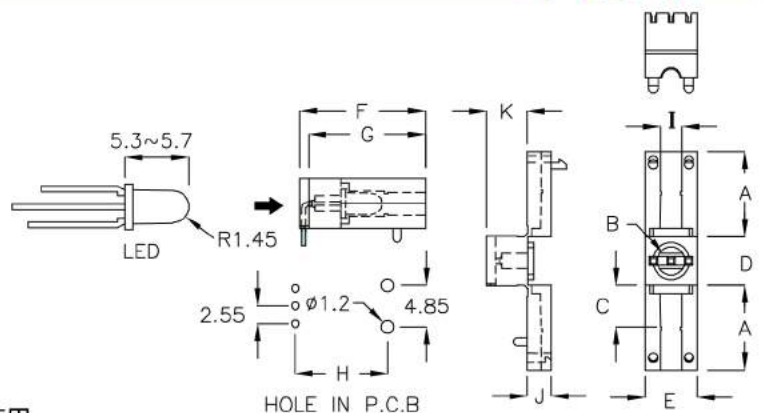
FOR $\phi 3$ 2 PIN LED LAMP

PART NO	A	B	C	D	E	F	G	H	I	J	K	FIBER DIAMETER	PACKAGE
EDZ-03	13.0	$\phi 4.0$	7.0	6.5	6.0	15.9	14.6	11.05	2.1	3.2	2.9	$\phi 2.0$	500
EDZ-2C	12.3	$\phi 4.0$	6.0	7.0	7.5	14.8	13.5	10.05	3.0	3.6	2.4	$\phi 3.0$	

LED座 LED HOUSING



MATERIAL:
NYLON 66(UL)
FLAME CLASS: 94V-2
COLOR: BLACK



搭配 $\phi 3$ 導光光纖使用

FOR $\phi 3$ 3 PIN LED LAMP

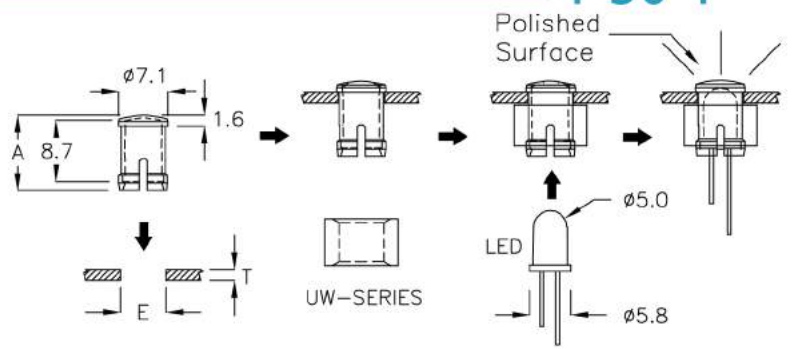
PART NO	A	B	C	D	E	F	G	H	I	J	K	FIBER TRANSPORTER	PACKAGE
EDZ-04	12.3	$\phi 4.1$	6.0	7.0	7.5	18.2	16.9	13.5	3.0	3.6	5.8	$\phi 3.0$	500

1-30-1

LED導光罩 LED CAP



MATERIAL: PC(UL)
 FLAME CLASS: 94V-2
 COLOR: CLEAR
 CAN BE USED AS AN OPTION
 UW-SERIES (Page 1-30-3)



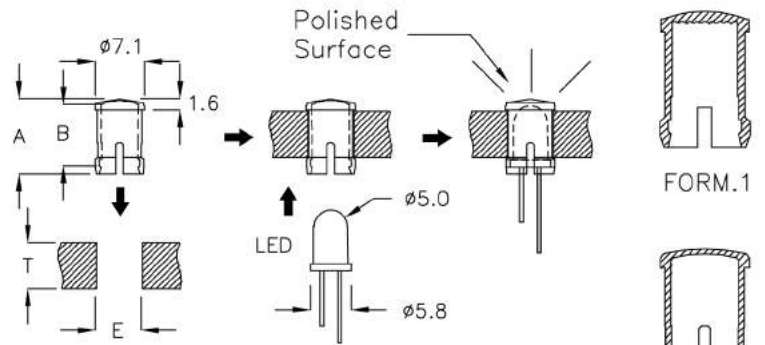
PART NO	A	T CHASSIS THICKNESS	SUITABLE HOLDER	E HOLE IN CHASSIS	PACKAGE
EDK-01	10.9	0.8	UW-07C	ø6.45	1000
		1.0	UW-07A		
		1.2	UW-06C		
		1.6	UW-06A		
		2.0	UW-05C		
		2.5	UW-05A		
		3.0	UW-04C		
	6.7				

1-30-2

LED導光罩 LED CAP



MATERIAL: PC(UL)
 FLAME CLASS: 94V-2
 COLOR: CLEAR



PART NO	A	B	E HOLE IN CHASSIS	T CHASSIS THICKNESS	FORM	PACKAGE
EDK-1C	10.9	8.5	ø6.45	6.7	1	1000
EDK-1TP	10.8	8.9	ø6.45	6.7	2	

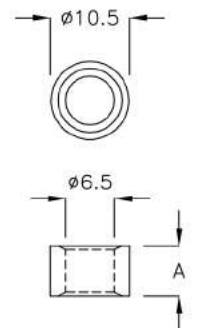
1-30-3

固定座 LAMP HOLDER



MATERIAL: NYLON 66(UL)
 FLAME CLASS: 94V-2
 COLOR: BLACK

PART NO	A	PACKAGE
UW-04C	4.5	2000
UW-05A	5.0	
UW-05C	5.5	
UW-06A	5.9	1000
UW-06C	6.3	
UW-07A	6.5	
UW-07C	6.7	



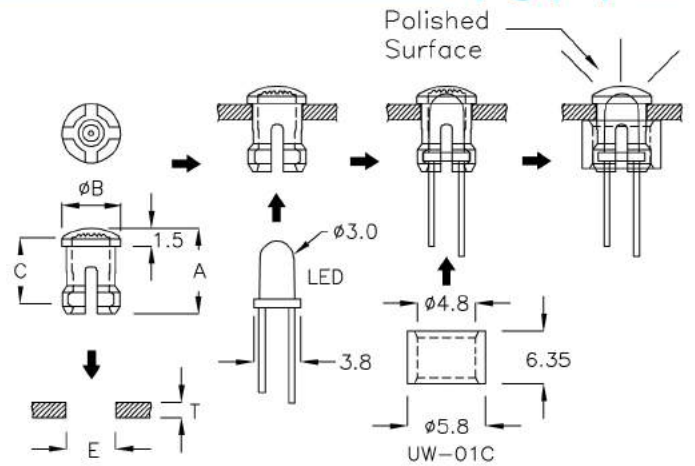
CAN BE USED WITH P.G PART EDK-01 (Page 1-30-1)

1-31-1

LED導光罩 LED CAP



MATERIAL: PC(UL)
FLAME CLASS: 94V-2
COLOR: CLEAR



PART NO	A	B	C	T CHASSIS THICKNESS	SUITABLE HOLDER	E HOLE IN CHASSIS	PACKAGE
EDK-02	7.3	5.0	5.6	0.8~2.8	UW-01C	ø4.3	1000

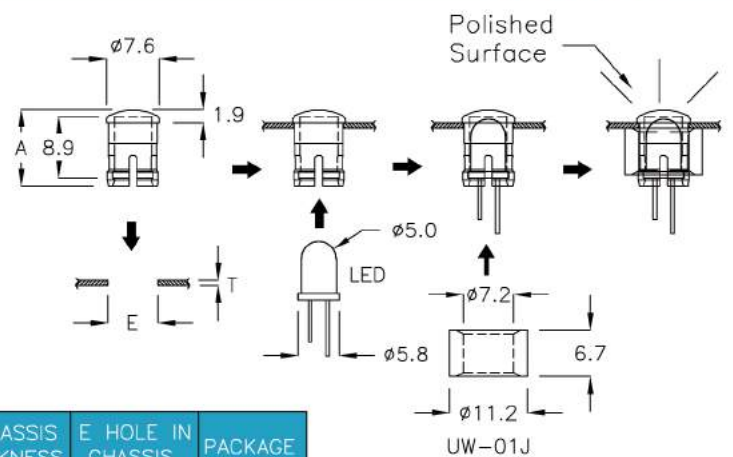
CAN BE USED AS AN OPTION P.G PART UW-01C (Page 13-20-3)

1-31-2

LED導光罩 LED CAP



MATERIAL: PC(UL)
FLAME CLASS: 94V-2
COLOR: CLEAR



PART NO	A	T CHASSIS THICKNESS	E HOLE IN CHASSIS	PACKAGE
EDK-03	11.1	0.8	ø7.2	1000

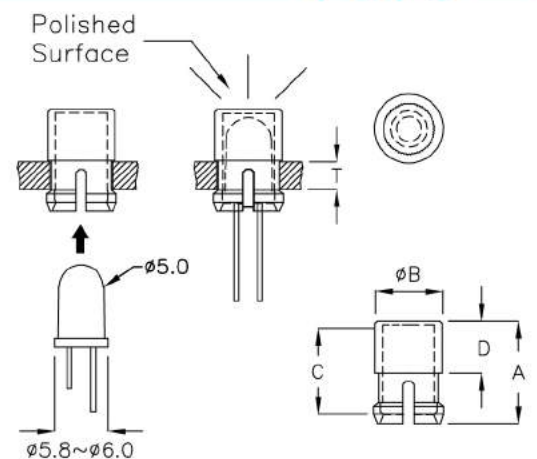
CAN BE USED AS AN OPTION P.G PART UW-01J (Page 13-20-3)

1-31-3

LED導光罩 LED CAP



MATERIAL: PC(UL)
FLAME CLASS: 94V-2
COLOR: CLEAR

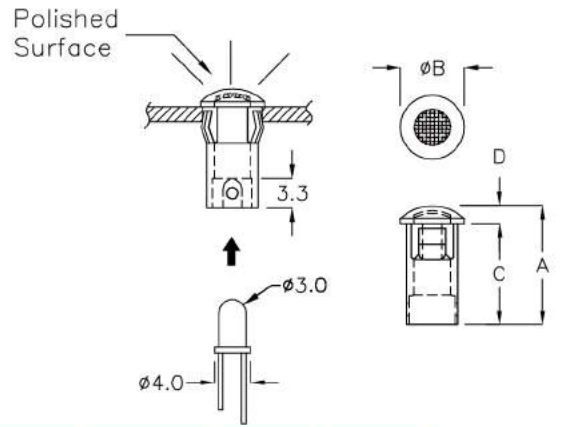


PART NO	A	B	C	D	HOLE IN CHASSIS	T CHASSIS THICKNESS	SUITABLE LED LAMP	PACKAGE
EDK-1A	10.9	7.2	9.1	5.4	ø6.4	3.2	ø5.0	1000

LED導光罩 LED CAP



MATERIAL: PC(UL)
FLAME CLASS: 94V-2
COLOR: CLEAR

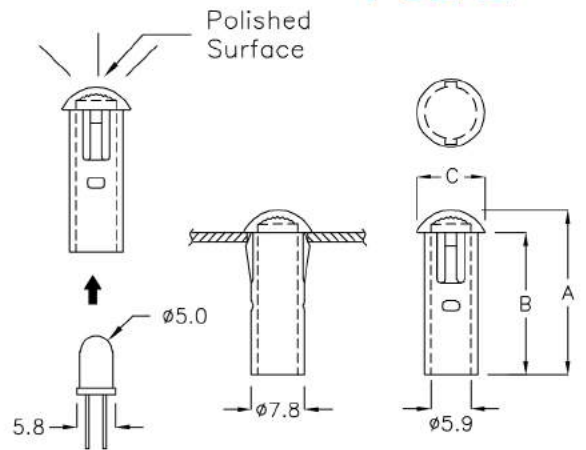


PART NO	A	B	C	D	HOLE IN CHASSIS	CHASSIS THICKNESS	SUITABLE LED LAMP	PACKAGE
EDN-05	13.2	ø7.1	11.2	2.0	ø6.0	1.6~2.0	ø3.0	1000

LED導光罩 LED CAP



MATERIAL: PC(UL)
FLAME CLASS: 94V-2
COLOR: CLEAR

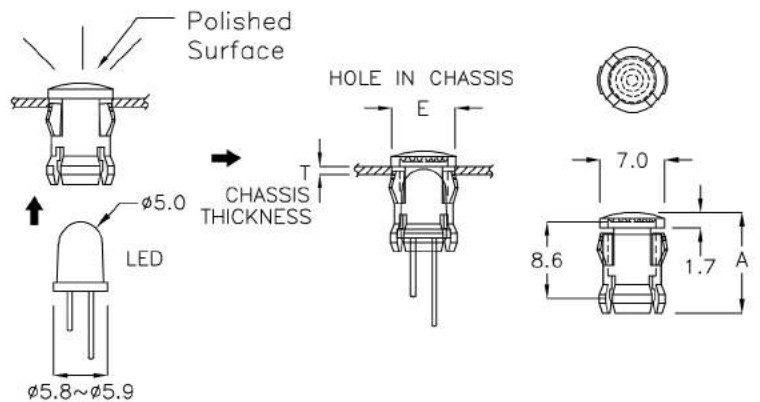


PART NO	A	B	C	HOLE IN CHASSIS	CHASSIS THICKNESS	PACKAGE
EDN-5C	24.2	20.9	ø10.1	ø8.5	2.0	500

LED導光罩 LED CAP



MATERIAL: PC(UL)
FLAME CLASS: 94V-2
COLOR: CLEAR

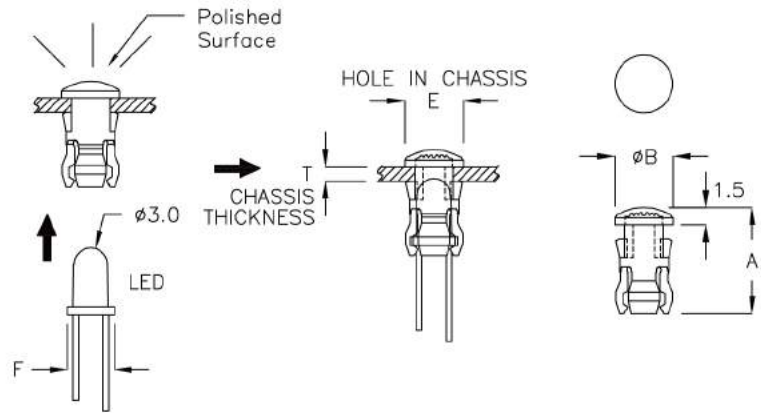


FOR ø5 2PIN LED LAMP				
PART NO	A	E	T	PACKAGE
EDK-5A	10.9	ø6.4	0.8	1000

LED導光罩 LED CAP



MATERIAL: PC(UL)
FLAME CLASS: 94V-2
COLOR: CLEAR

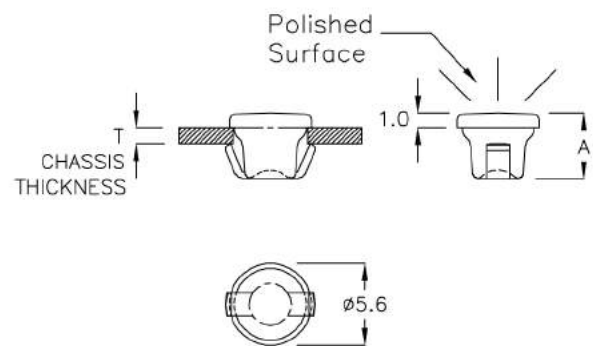


FOR ø3 2PIN LED LAMP						
PART NO	A	B	E	F	T	PACKAGE
EDK-3F	9.1	ø5.0	ø4.3	3.8	1.1	1000
EDK-3HW	9.3	ø5.3	ø4.8	3.9	0.8	

導光柱 LIGHT PIPE



MATERIAL: PC(UL)
FLAME CLASS: 94V-2
COLOR: CLEAR

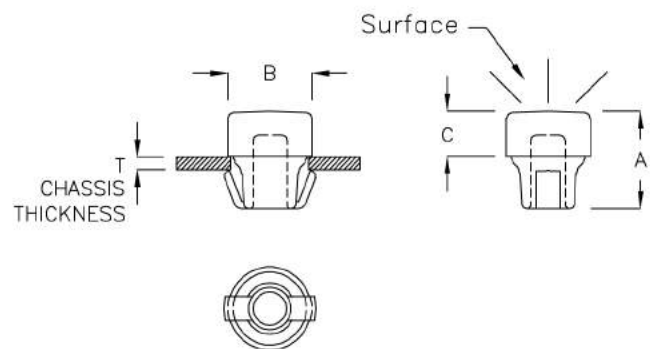


PART NO	A	HOLE IN CHASSIS	T:CHASSIS THICKNESS	PACKAGE
HHP-04	4.5	ø5.0	1.0	1000
HHP-4A	4.9	ø5.0	1.2	
HHP-4F	3.8	ø5.0	0.8	

導光柱 LIGHT PIPE



MATERIAL: PC(UL)
FLAME CLASS: 94V-2
COLOR: CLEAR

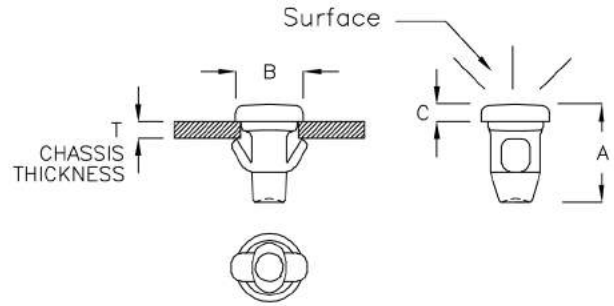


PART NO	SURFACE	A	B	C	HOLE IN CHASSIS	T:CHASSIS THICKNESS	PACKAGE
HHP-4C	Polished	6.5	ø5.6	3.0	ø5.0	0.8	1000
HHP-11JC	Matt	10.8	ø10.0	6.0	ø8.5	2.0	

導光柱 LIGHT PIPE

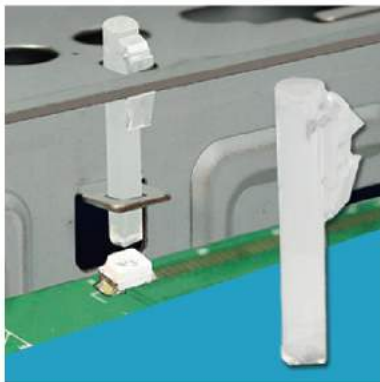


MATERIAL: PC(UL)
FLAME CLASS: 94V-2
COLOR: CLEAR

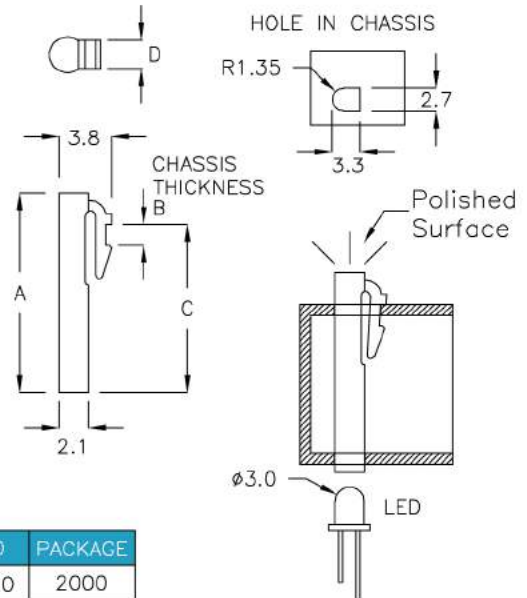


PART NO	SURFACE	A	B	C	HOLE IN CHASSIS	T: CHASSIS THICKNESS	PACKAGE
HHP-09	Polished	5.5	∅3.8	1.0	∅3.2	0.8	1000
HHP-9AC	Matt	9.0	∅5.0	0.5	∅4.3	0.8	

導光柱 LIGHT PIPE



MATERIAL: PC(UL)
FLAME CLASS: 94V-2
COLOR: CLEAR

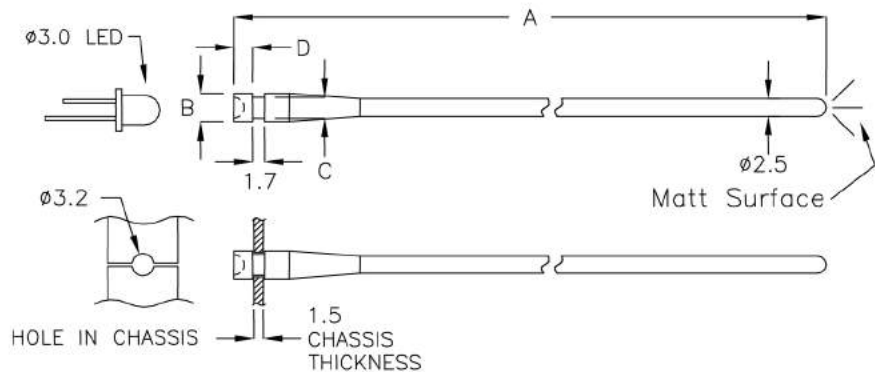


PART NO	A	B	C	D	PACKAGE
LEAD-14	14.4	1.2	12.1	2.0	2000

導光柱 LIGHT PIPE



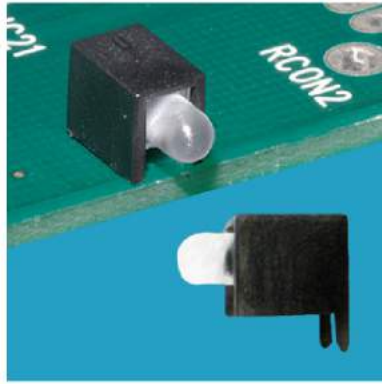
MATERIAL: PMMA
FLAME CLASS: 94HB
COLOR: CLEAR



PART NO	A	B	C	D	PACKAGE
LEAD-15	223.2	∅4.0	∅3.0	2.7	100

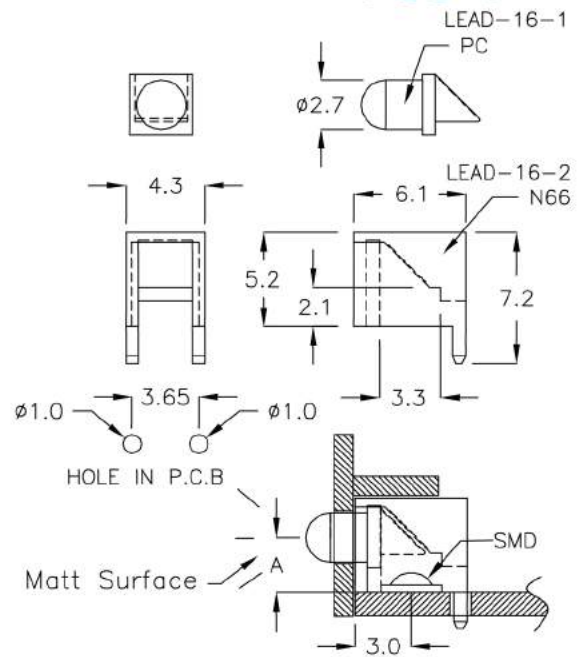
1-35-1

導光柱 LIGHT PIPE



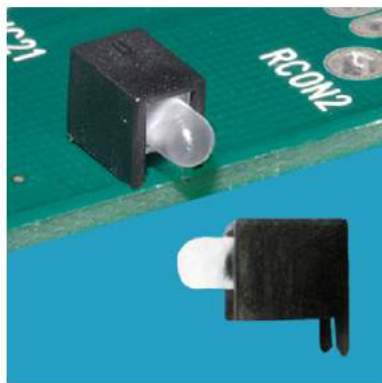
MATERIAL: PC(UL)
 FLAME CLASS: 94V-0
 COLOR: CLEAR
 MOUNT MATERIAL:
 NYLON 66(UL)
 FLAME CLASS: 94V-0
 COLOR: BLACK

PART NO	A	PACKAGE
LEAD-16	3.0	1000



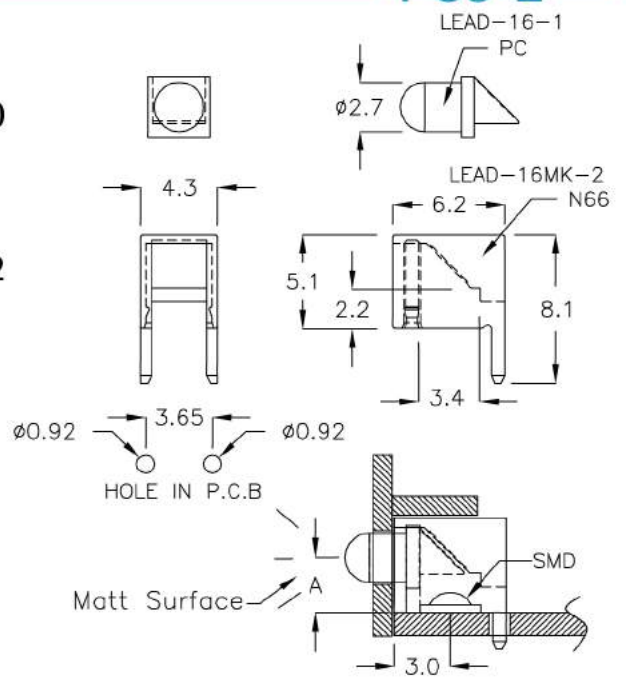
1-35-2

導光柱 LIGHT PIPE



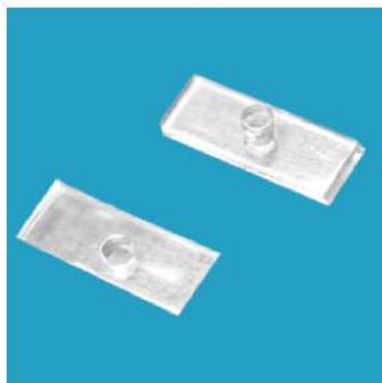
MATERIAL: PC(UL)
 FLAME CLASS: 94V-0
 COLOR: CLEAR
 MOUNT MATERIAL:
 NYLON 66(UL)
 FLAME CLASS: 94V-2
 COLOR: BLACK

PART NO	A	PACKAGE
LEAD-16MK	3.0	1000



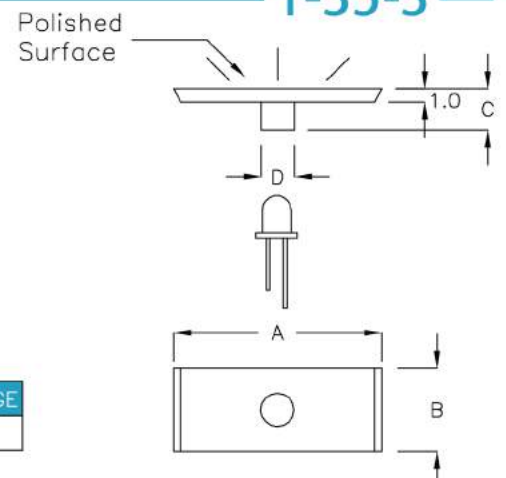
1-35-3

導光柱 LIGHT PIPE



MATERIAL: PMMA
 COLOR: CLEAR

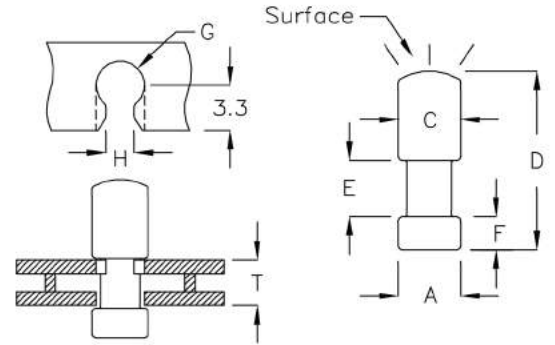
PART NO	A	B	C	D	PACKAGE
LEAD-17	15.0	6.0	3.0	2.4	1000



導光柱 LIGHT PIPE



MATERIAL: PC(UL)
FLAME CLASS: 94V-2
COLOR: CLEAR

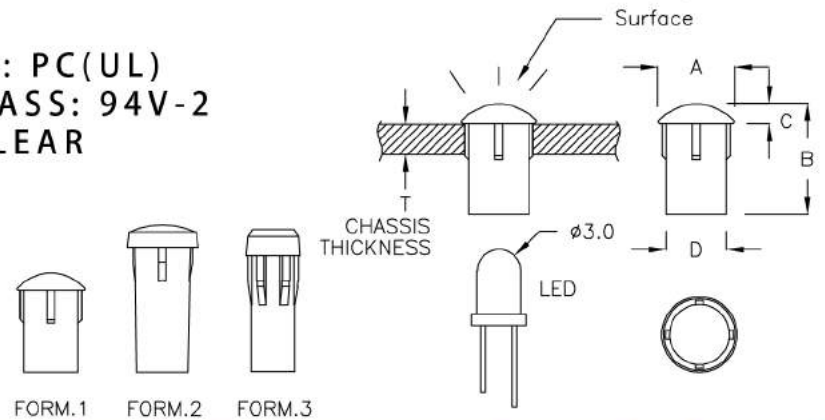


PART NO	A	C	D	E	F	G	H	T	SURFACE	PACKAGE
LEAD-20	ø4.95	ø4.95	14.1	4.4	2.62	ø3.65	3.45	4.2	Matt	2000
LEAD-20AC	ø4.95	ø4.95	15.8	4.5	2.65	ø3.55	3.35	4.3	Polished	

導光柱 LIGHT PIPE

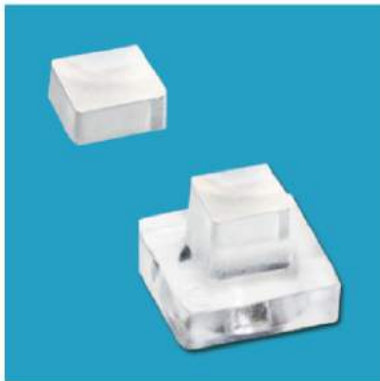


MATERIAL: PC(UL)
FLAME CLASS: 94V-2
COLOR: CLEAR

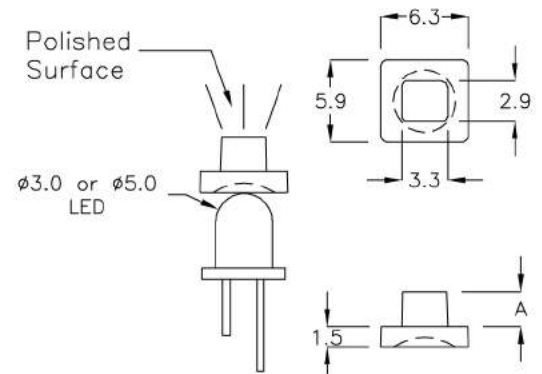


PART NO	A	B	C	D HOLE IN CHASSIS	T CHASSIS THICKNESS	SURFACE	FORM	PACKAGE
LEAD-3TM	ø3.3	3.95	0.75	ø3.0	>1.0	Matt	1	2000
LEAD-9HP	ø3.25	8.55	1.55	ø2.95	>1.8	Polished	3	
LEAD-18KT	ø3.8	5.5	1.0	ø3.1	>1.6	Polished	1	
LEAD-18	ø3.8	5.5	1.0	ø3.2	>1.8	Matt	1	
LEAD-30	ø3.8	4.1	1.0	ø3.1	>1.4	Matt	1	
LEAD-30FQ	ø3.8	3.5	1.0	ø3.1	>1.4	Matt	1	
LEAD-30M	ø3.8	9.7	1.2	ø3.1	>1.0	Polished	2	
LEAD-39	ø3.8	24.8	1.2	ø3.1	>1.0	Matt	2	1000

導光柱 LIGHT PIPE



MATERIAL: PC(UL)
FLAME CLASS: 94V-2
COLOR: CLEAR



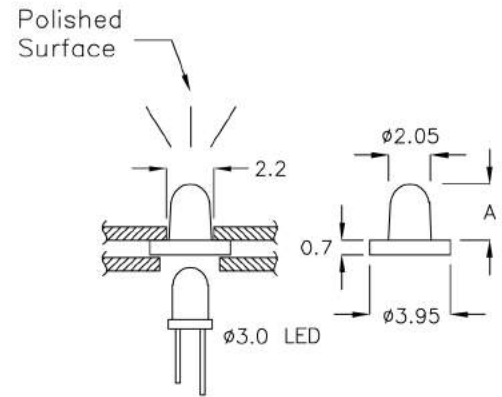
PART NO	A	PACKAGE
LEAD-29	2.5	2000

導光柱 LIGHT PIPE



MATERIAL: PC(UL)
FLAME CLASS: 94V-2
COLOR: CLEAR

PART NO	A	PACKAGE
LEAD-3FK	2.75	2000

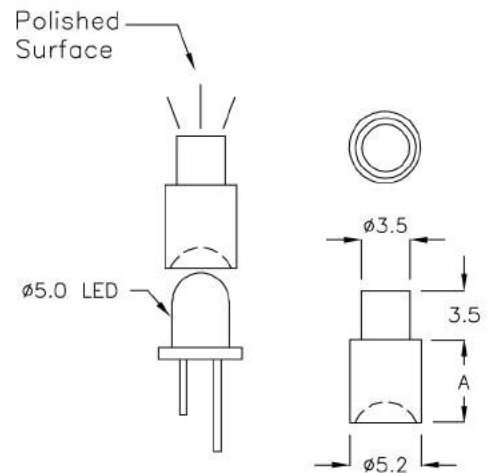


導光柱 LIGHT PIPE



MATERIAL: PC(UL)
FLAME CLASS: 94V-2
COLOR: CLEAR

PART NO	A	PACKAGE
LEAD-35	6.0	2000

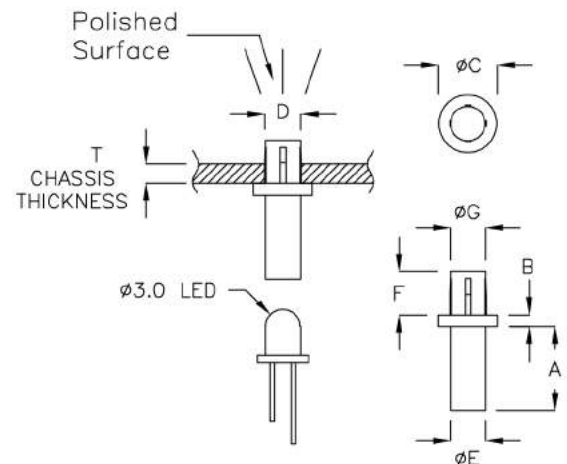


導光柱 LIGHT PIPE



MATERIAL: PC(UL)
FLAME CLASS: 94V-2
COLOR: CLEAR

PART NO	A	B	C	D HOLE IN CHASSIS	E	F	G	T CHASSIS THICKNESS	PACKAGE
LEHD-5Q	1.4	1.3	3.8	ø3.0	2.8	2.3	2.6	1.4	2000
LEHD-12F	7.0	1.0	4.9	ø3.0	2.9	3.6	2.9	1.6	



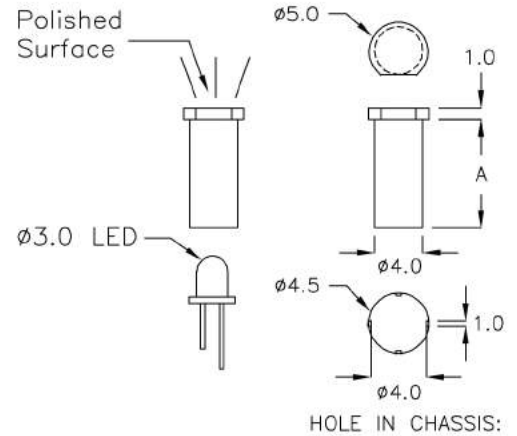
1-38-1

導光柱 LIGHT PIPE



MATERIAL: PMMA
COLOR: CLEAR

PART NO	A	PACKAGE
LEZD-10	9.0	2000



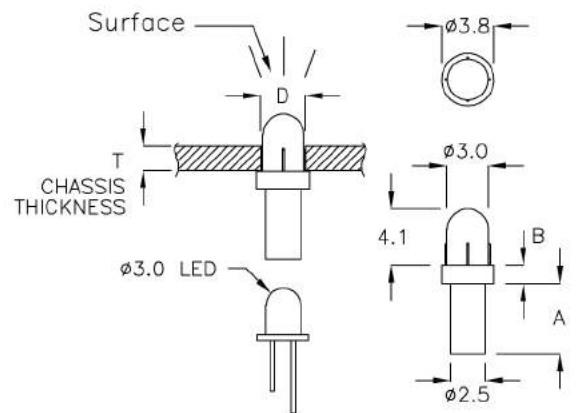
1-38-2

導光柱 LIGHT PIPE



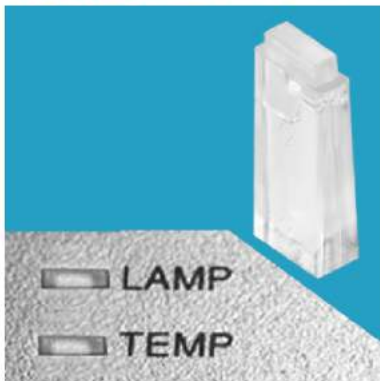
MATERIAL: PC(UL)
FLAME CLASS: 94V-2
COLOR: CLEAR

PART NO	A	B	D HOLE IN CHASSIS	T CHASSIS THICKNESS	SURFACE	PACKAGE
LEAD-36	5.1	1.3	ø3.1	1.6	Matt	1000
LEAD-36PQ	5.1	1.3	ø3.0	1.6	Polished	
LEAD-37	1.9	1.3	ø3.1	1.6	Matt	



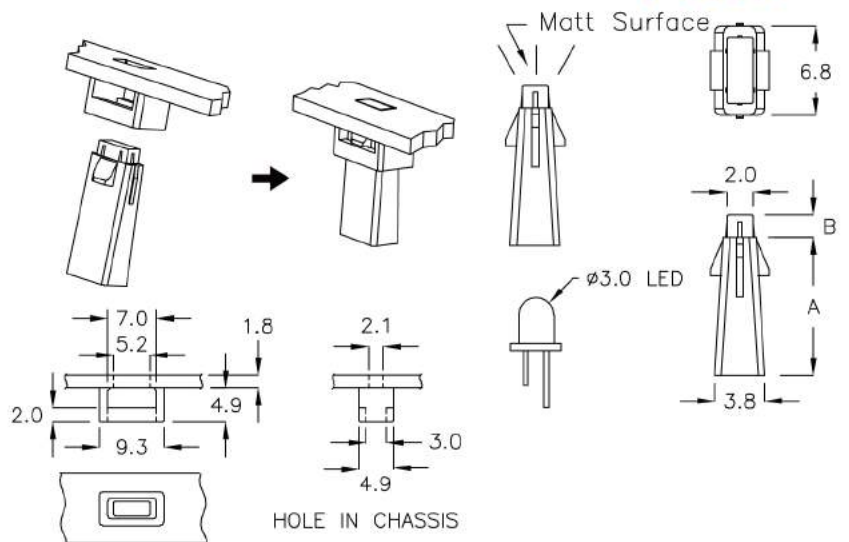
1-38-3

導光柱 LIGHT PIPE



MATERIAL: PC(UL)
FLAME CLASS: 94V-2
COLOR: CLEAR

PART NO	A	B	PACKAGE
LEAD-52MK	14.2	1.7	2000

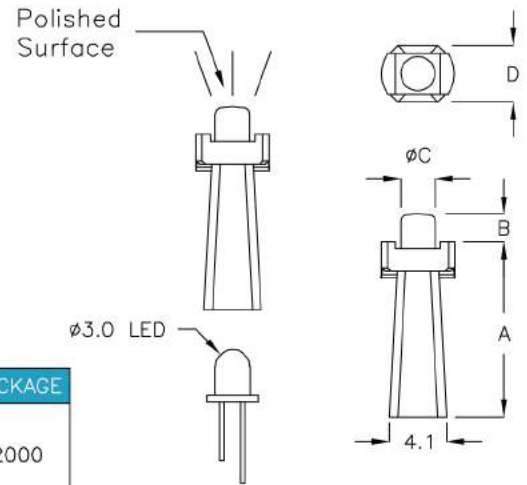


導光柱 LIGHT PIPE

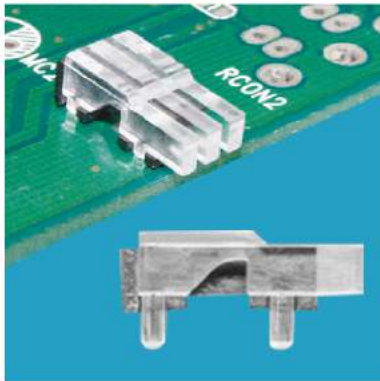


MATERIAL: PC(UL)
FLAME CLASS: 94V-2
COLOR: CLEAR

PART NO	A	B	C	D	PACKAGE
LEAD-40	10.1	2.0	2.5	3.0	2000
LEAD-51	12.6	2.0	2.5	4.1	
LEAD-51K	13.5	2.0	1.6	3.0	

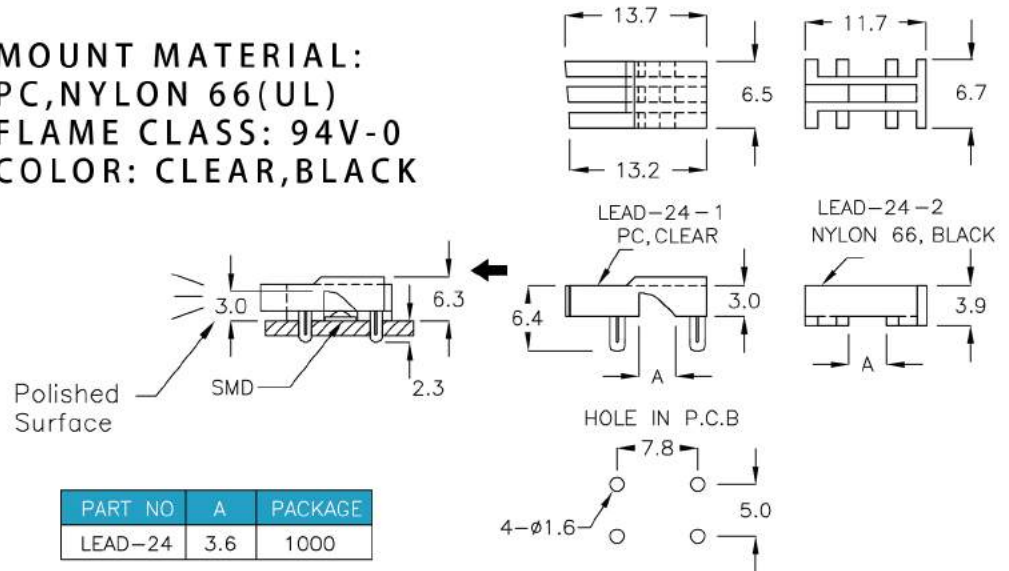


導光柱 LIGHT PIPE



MOUNT MATERIAL: PC, NYLON 66(UL)
FLAME CLASS: 94V-0
COLOR: CLEAR, BLACK

PART NO	A	PACKAGE
LEAD-24	3.6	1000

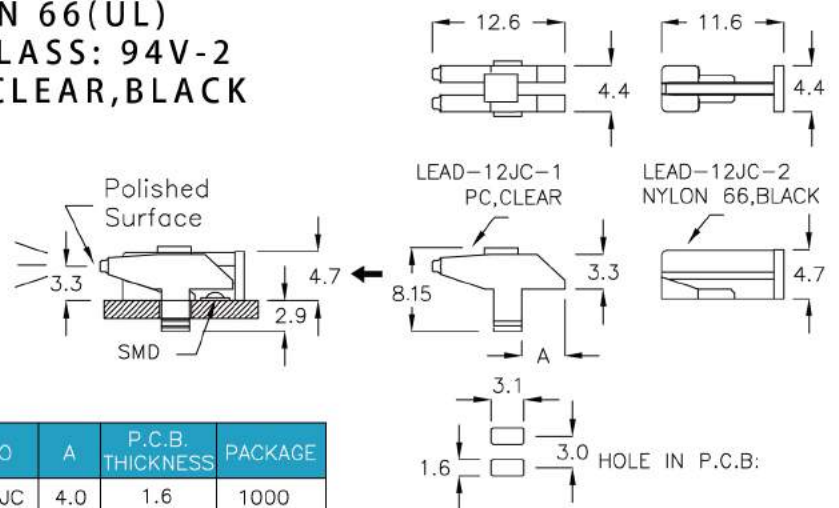


導光柱 LIGHT PIPE

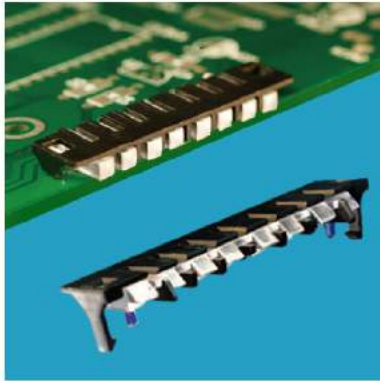


MOUNT MATERIAL: PC, NYLON 66(UL)
FLAME CLASS: 94V-2
COLOR: CLEAR, BLACK

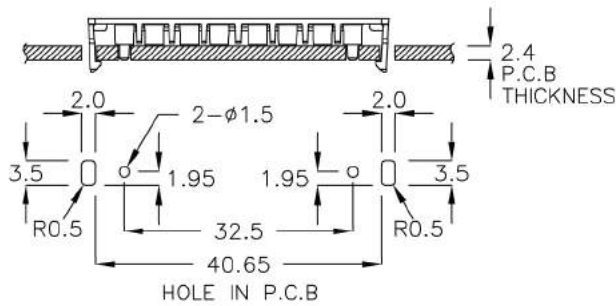
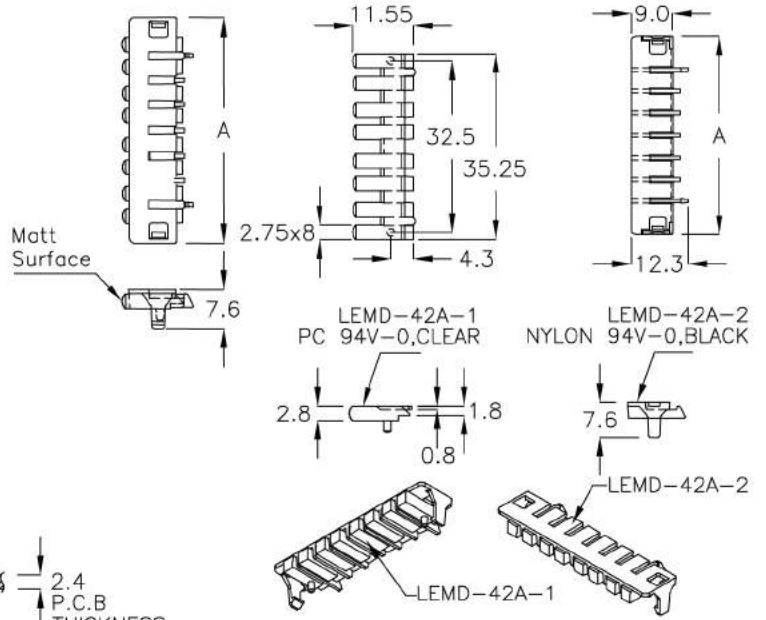
PART NO	A	P.C.B. THICKNESS	PACKAGE
LEAD-12JC	4.0	1.6	1000



導光柱 LIGHT PIPE



MATERIAL: PC, NYLON 66(UL)
FLAME CLASS: 94V-0
COLOR: CLEAR, BLACK

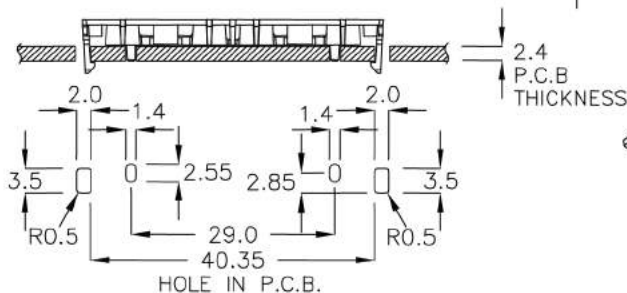
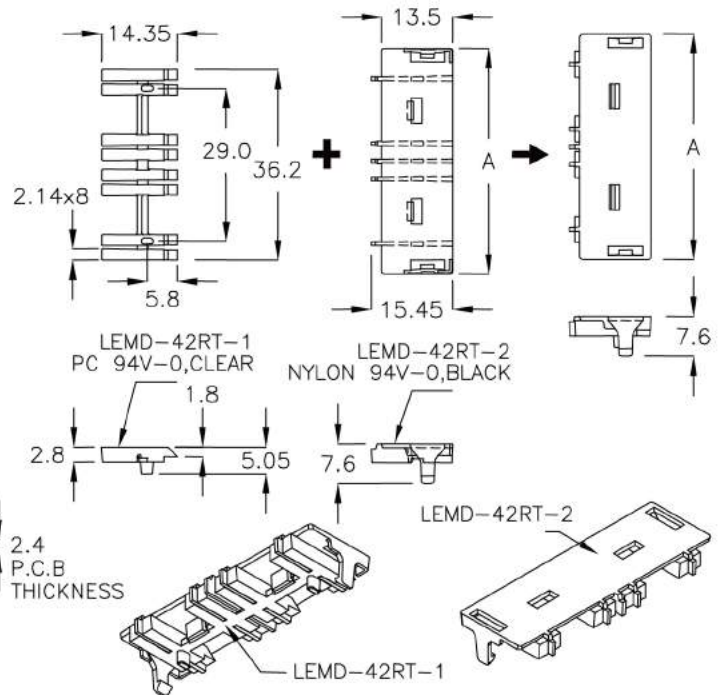


PART NO	A	PACKAGE
LEMD-42A	42.8	200

導光柱 LIGHT PIPE



MATERIAL: PC, NYLON 66(UL)
FLAME CLASS: 94V-0
COLOR: CLEAR, BLACK

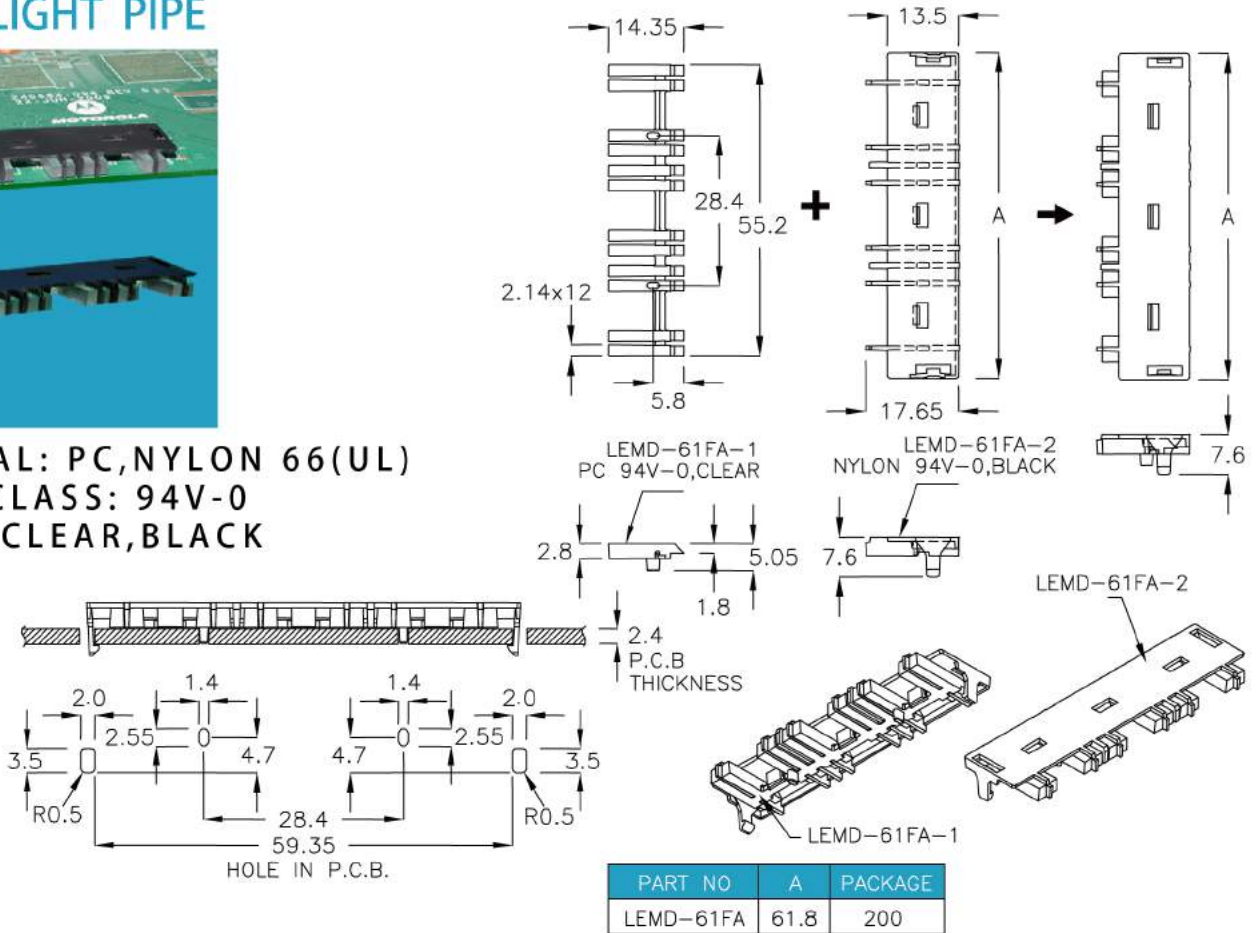


PART NO	A	PACKAGE
LEMD-42RT	42.8	200

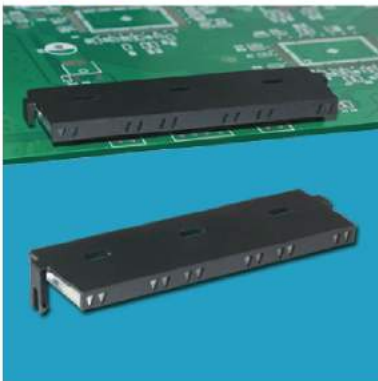
導光柱 LIGHT PIPE



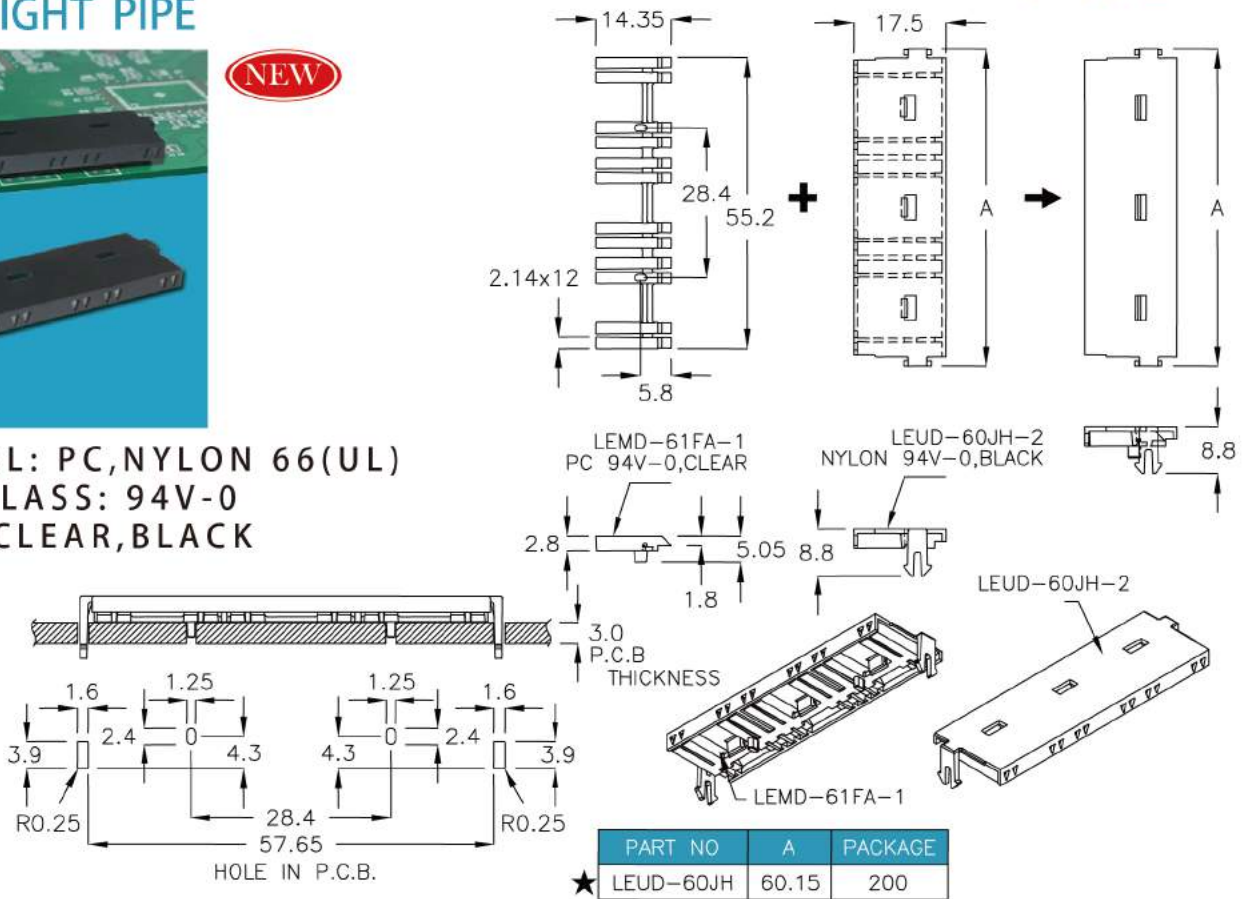
MATERIAL: PC, NYLON 66(UL)
 FLAME CLASS: 94V-0
 COLOR: CLEAR, BLACK



導光柱 LIGHT PIPE



MATERIAL: PC, NYLON 66(UL)
 FLAME CLASS: 94V-0
 COLOR: CLEAR, BLACK

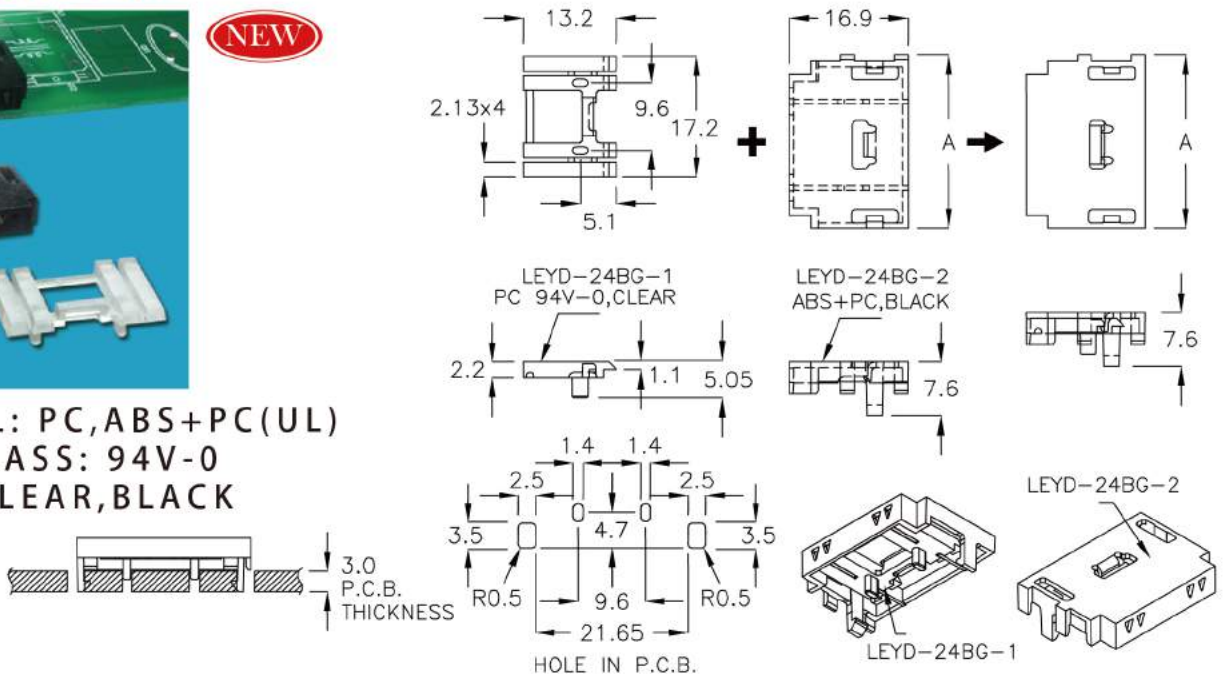


導光柱 LIGHT PIPE

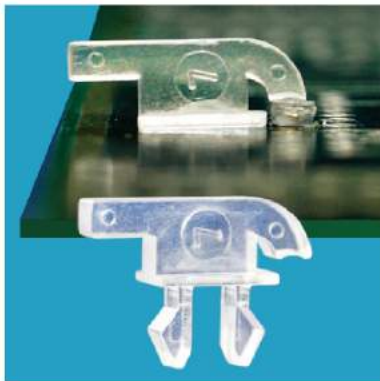


NEW

MATERIAL: PC, ABS+PC(UL)
FLAME CLASS: 94V-0
COLOR: CLEAR, BLACK



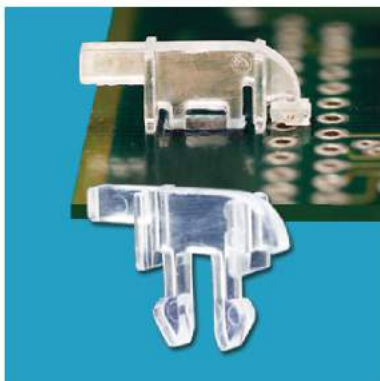
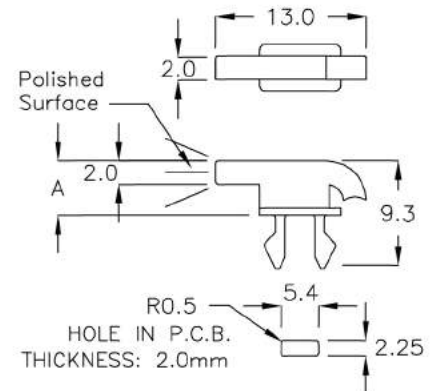
PART NO	A	PACKAGE
★ LEYD-24BG	24.7	200



導光柱 LIGHT PIPE

MATERIAL: PC(UL)
FLAME CLASS: 94V-0
COLOR: CLEAR

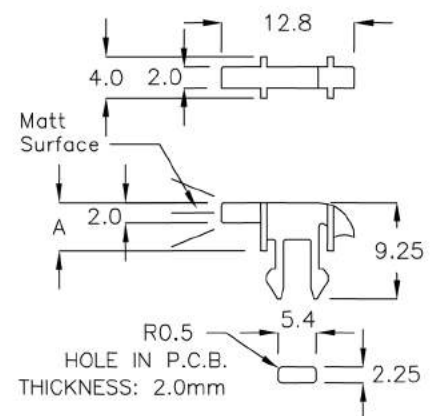
PART NO	A	PACKAGE
LEFD-4A	4.7	1000



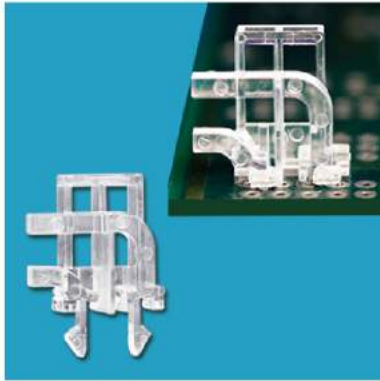
導光柱 LIGHT PIPE

MATERIAL: PC(UL)
FLAME CLASS: 94V-0
COLOR: CLEAR

PART NO	A	PACKAGE
LEFD-4RZ	4.7	1000



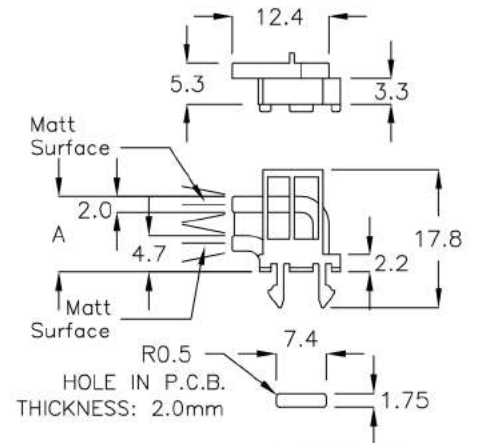
1-43-1



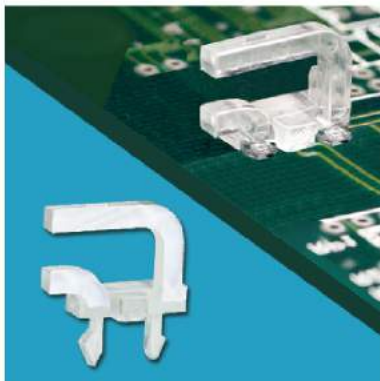
導光柱 LIGHT PIPE

MATERIAL: PC(UL)
FLAME CLASS: 94V-0
COLOR: CLEAR

PART NO	A	PACKAGE
LEFD-9DK	9.7	1000



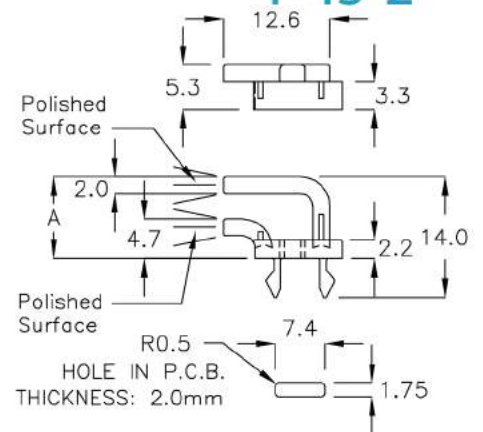
1-43-2



導光柱 LIGHT PIPE

MATERIAL: PC(UL)
FLAME CLASS: 94V-0
COLOR: CLEAR

PART NO	A	PACKAGE
LEFD-9MQ	9.7	1000



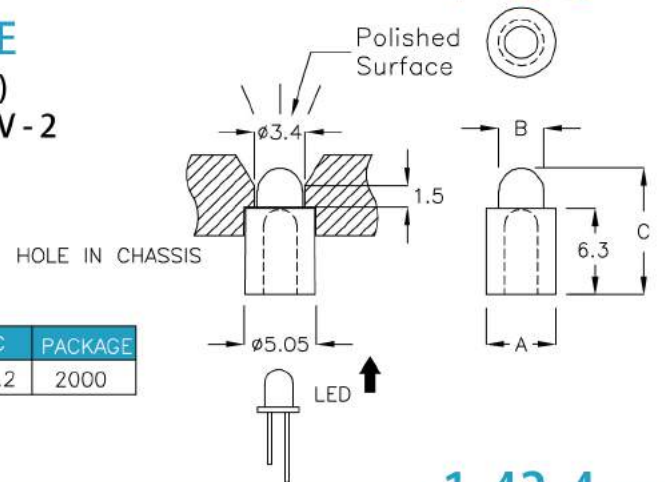
1-43-3



導光柱 LIGHT PIPE

MATERIAL: PC(UL)
FLAME CLASS: 94V-2
COLOR: CLEAR

PART NO	A	B	C	PACKAGE
HHQ-01	ø5.0	ø3.3	9.2	2000



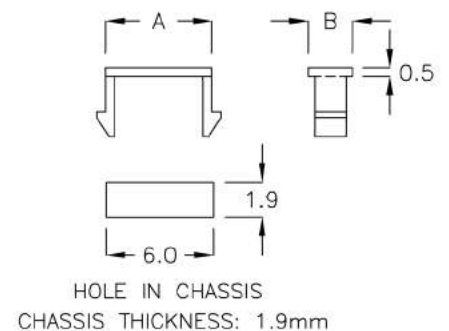
1-43-4



保護蓋 COVER

MATERIAL: PC(UL)
FLAME CLASS: 94V-2
COLOR: CLEAR

PART NO	A	B	PACKAGE
BHB-06	6.0	2.5	2000

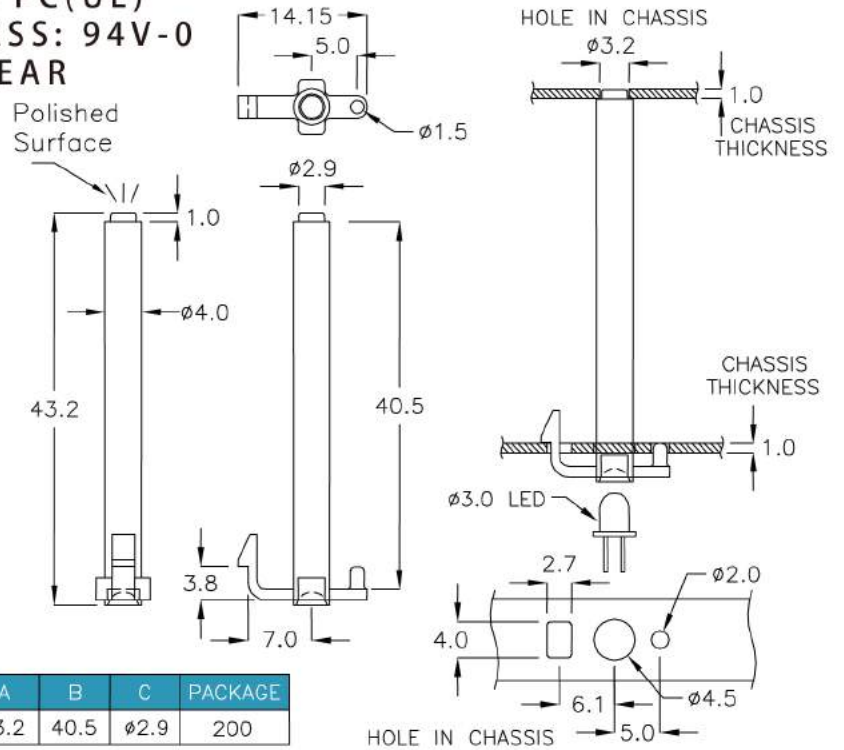


導光柱 LIGHT PIPE



MATERIAL: PC(UL)
FLAME CLASS: 94V-0
COLOR: CLEAR

NEW

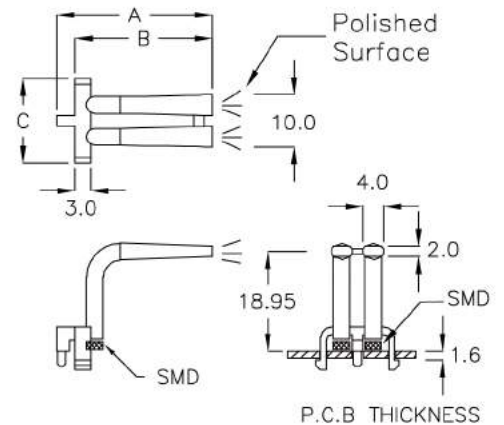
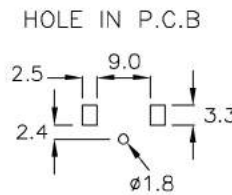


PART NO	A	B	C	PACKAGE
★ LEAD-43KT	43.2	40.5	2.9	200

導光柱 LIGHT PIPE



MATERIAL: PC(UL)
FLAME CLASS: 94V-2
COLOR: CLEAR

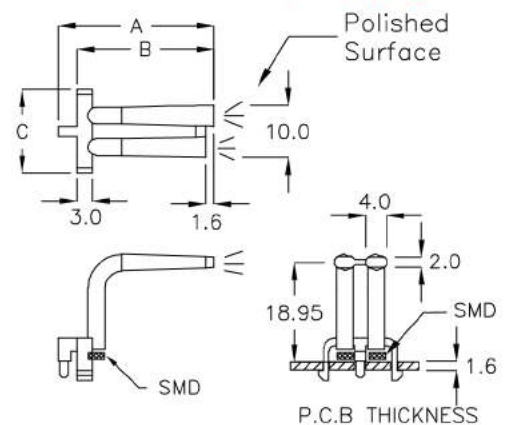
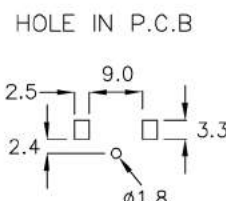


PART NO	A	B	C	PACKAGE
LEAD-25	29.7	26.2	16.0	500

導光柱 LIGHT PIPE



MATERIAL: PC(UL)
FLAME CLASS: 94V-2
COLOR: CLEAR

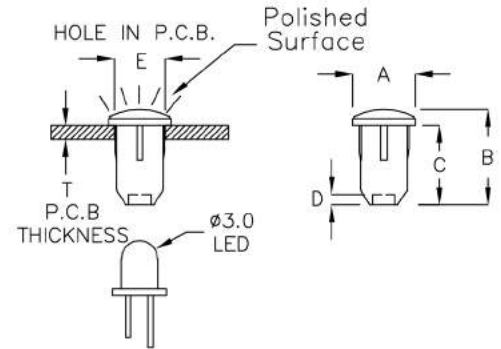


PART NO	A	B	C	PACKAGE
LEAD-26	29.7	26.2	16.0	500

導光柱 LIGHT PIPE



MATERIAL: PC(UL)
FLAME CLASS: 94V-0
COLOR: CLEAR

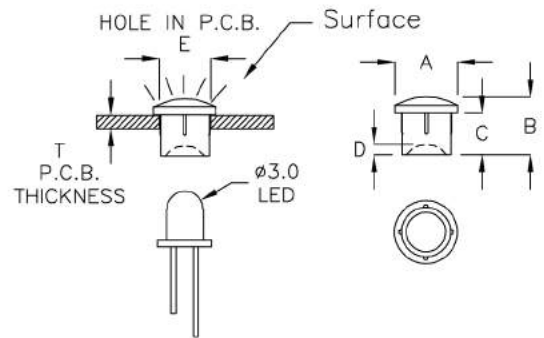


PART NO	A	B	C	D	E HOLE IN P.C.B.	T P.C.B. THICKNESS	PACKAGE
LEAD-7QS	ø5.0	7.7	6.4	0.8	ø3.9	≥2.0	2000

導光柱 LIGHT PIPE



MATERIAL: PC(UL)
FLAME CLASS: 94V-2
COLOR: CLEAR

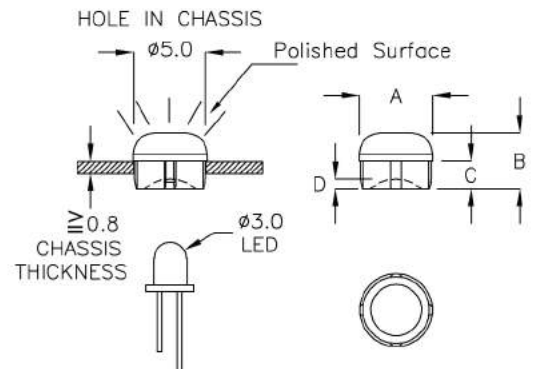


PART NO	A	B	C	D	E HOLE IN P.C.B.	T P.C.B. THICKNESS	Surface	PACKAGE
LEAD-28	ø5.0	4.6	3.3	0.8	ø3.96	≥1.6	Matt	2000
LEAD-28AM	ø5.0	4.6	3.25	0.8	ø3.96	≥1.6	Polished	
LEAD-4RK	ø3.8	3.95	2.95	0.4	ø3.1	≥1.4	Matt	

導光柱 LIGHT PIPE



MATERIAL: PC(UL)
FLAME CLASS: 94V-2
COLOR: CLEAR

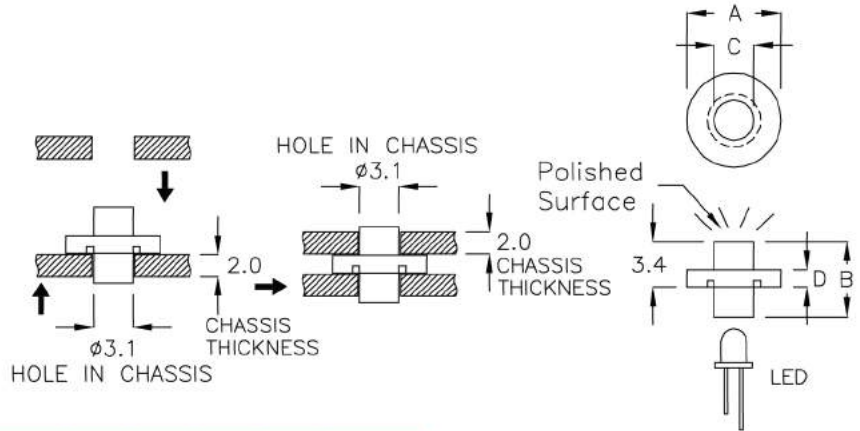


PART NO	A	B	C	D	PACKAGE
LEWD-04	ø5.25	4.0	2.0	0.75	2000

導光柱 LIGHT PIPE



MATERIAL: PC(UL)
FLAME CLASS: 94V-2
COLOR: CLEAR

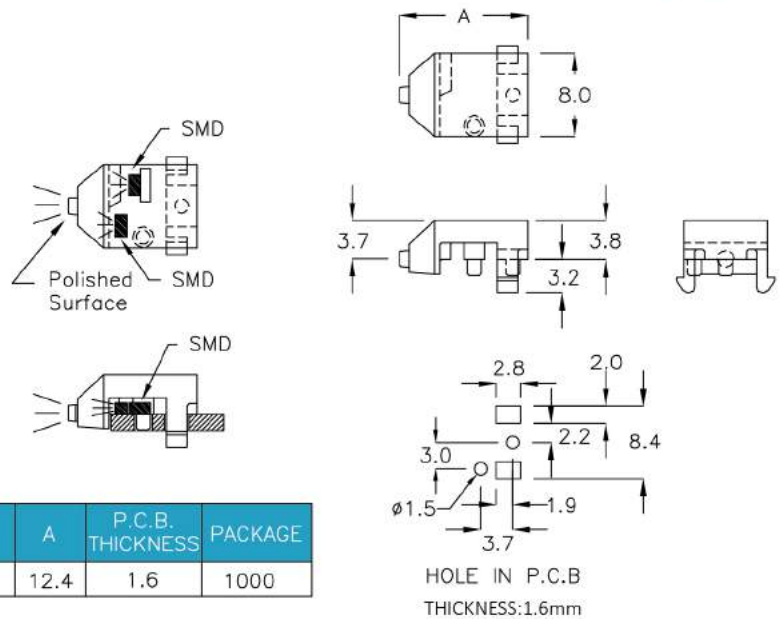


PART NO	A	B	C	D	PACKAGE
LEAD-5A	7.0	5.6	2.95	1.3	2000

導光柱 LIGHT PIPE



MATERIAL: PC(UL)
FLAME CLASS: 94V-2
COLOR: NATURAL

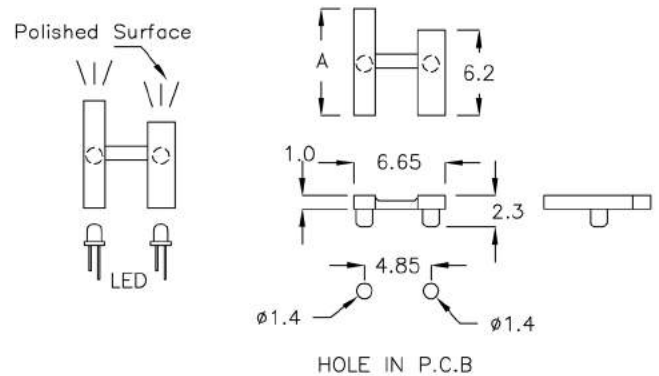


PART NO	A	P.C.B. THICKNESS	PACKAGE
LESD-12K	12.4	1.6	1000

導光柱 LIGHT PIPE



MATERIAL: PC(UL)
FLAME CLASS: 94V-2
COLOR: NATURAL

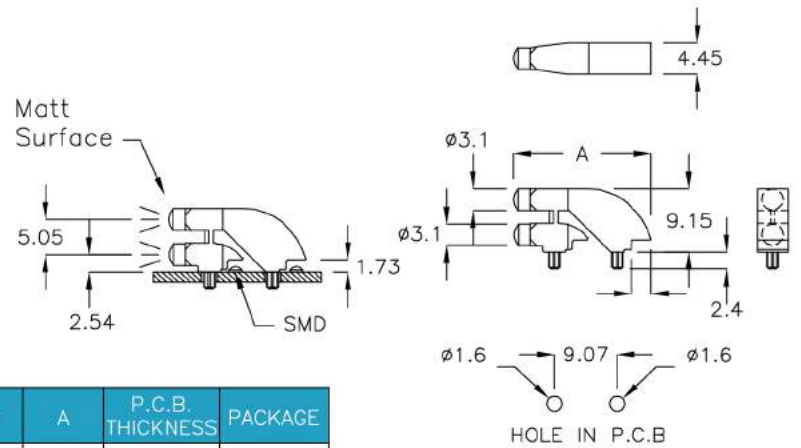


PART NO	A	P.C.B. THICKNESS	PACKAGE
LETD-6K	7.75	1.6	2000

導光柱 LIGHT PIPE



MATERIAL: PC
FLAME CLASS: 94V-0
COLOR: CLEAR



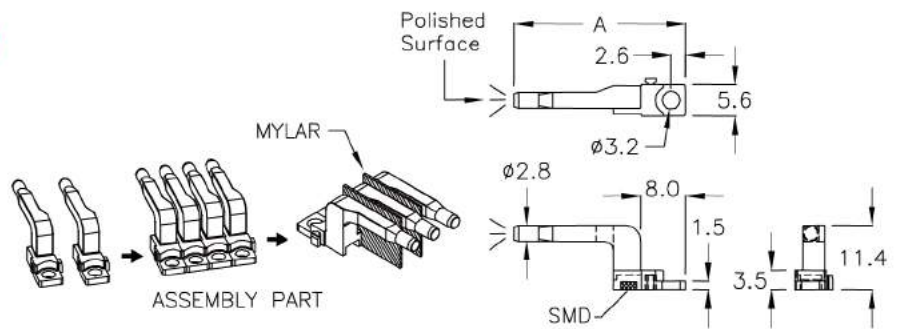
PART NO	A	P.C.B. THICKNESS	PACKAGE
LEJD-19K	19.85	1.6	500

導光柱 LIGHT PIPE



MATERIAL: PC(UL)
FLAME CLASS: 94V-2
COLOR: CLEAR

NEW

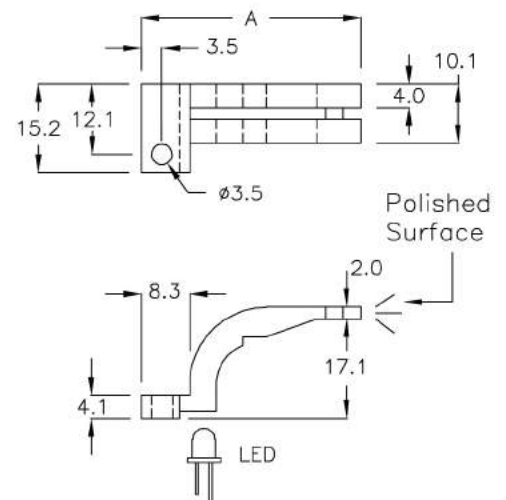


PART NO	A	PACKAGE
★ LEAD-29CT	30.5	500

導光柱 LIGHT PIPE

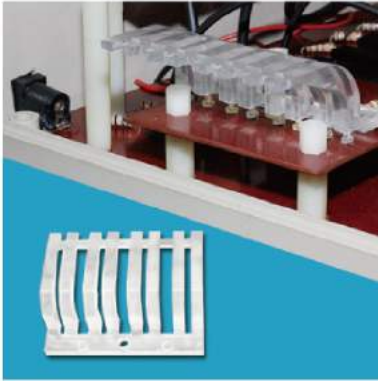


MATERIAL: PMMA
COLOR: CLEAR

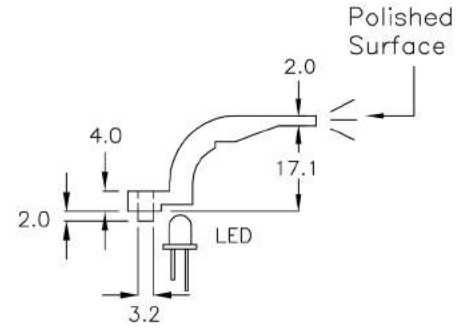
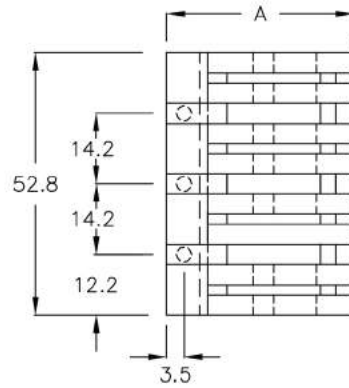


PART NO	A	PACKAGE
LEAD-2	37.5	500

導光柱 LIGHT PIPE



MATERIAL: PMMA
COLOR: CLEAR

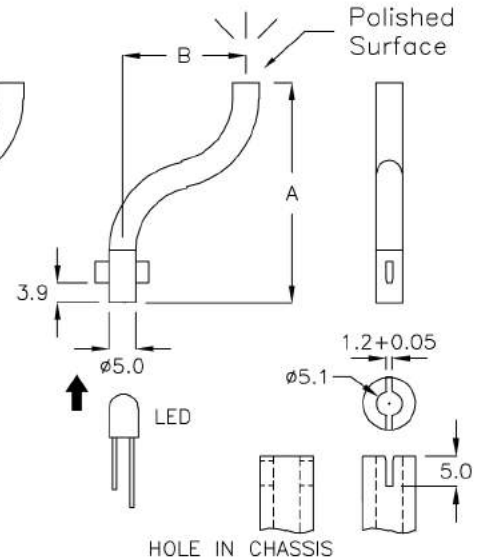
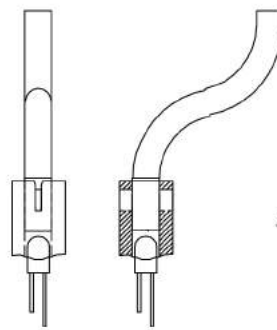


PART NO	A	PACKAGE
LEAD-8	37.5	100

導光柱 LIGHT PIPE



MATERIAL: PMMA
COLOR: CLEAR

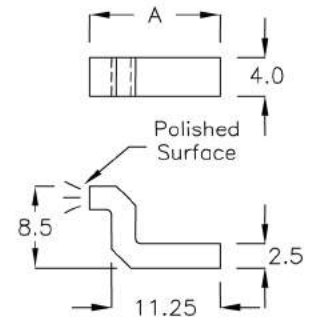
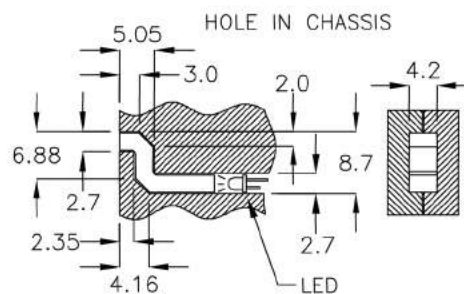


PART NO	A	B	PACKAGE
LEAD-10	41.5	23.3	500
LEAD-11	45.5	23.3	
LEAD-12	76.5	23.3	

導光柱 LIGHT PIPE



MATERIAL: PC(UL)
FLAME CLASS: 94V-2
COLOR: NATURAL



PART NO	A	PACKAGE
LEQD-13K	13.5	2000

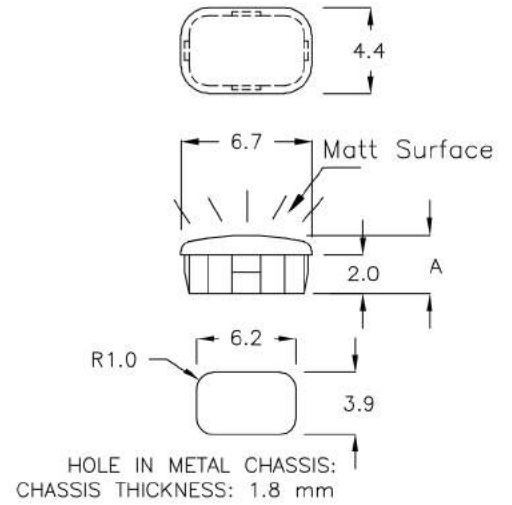
1-49-1

導光柱 LIGHT PIPE



MATERIAL: PC(UL)
FLAME CLASS: 94V-2
COLOR: CLEAR

PART NO	A	PACKAGE
LECD-3K	3.0	1000



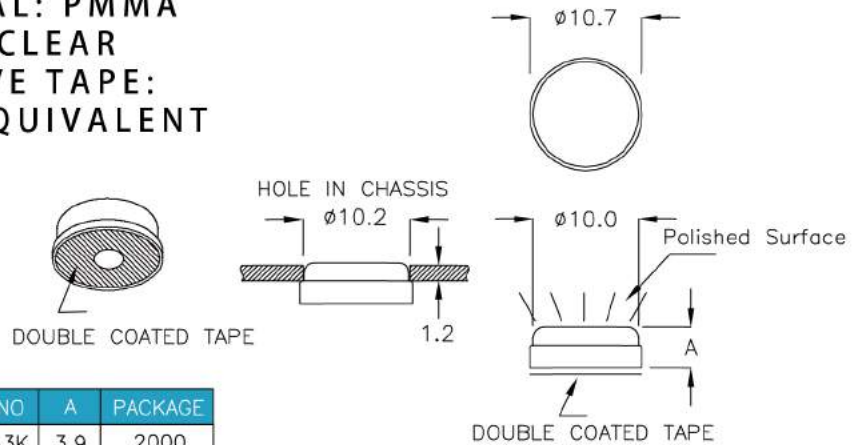
1-49-2

導光柱 LIGHT PIPE



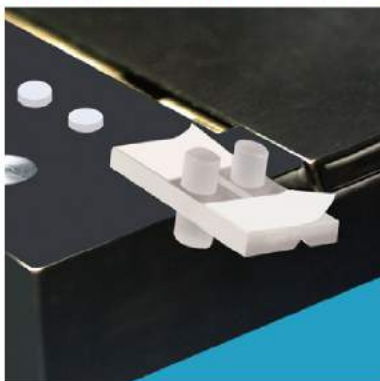
MATERIAL: PMMA
COLOR: CLEAR
ADHESIVE TAPE:
3M or EQUIVALENT

PART NO	A	PACKAGE
LERD-3K	3.9	2000



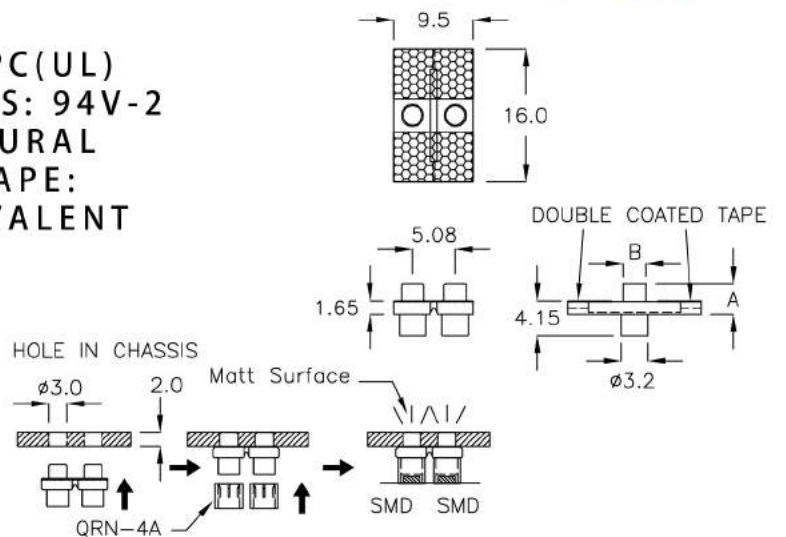
1-49-3

導光柱 LIGHT PIPE

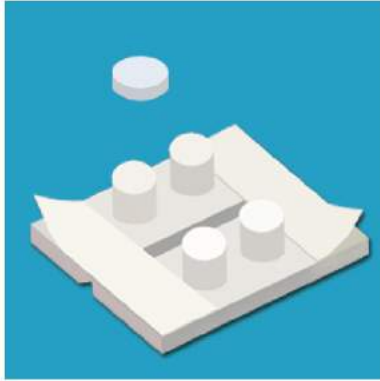


MATERIAL: PC(UL)
FLAME CLASS: 94V-2
COLOR: NATURAL
ADHESIVE TAPE:
3M or EQUIVALENT

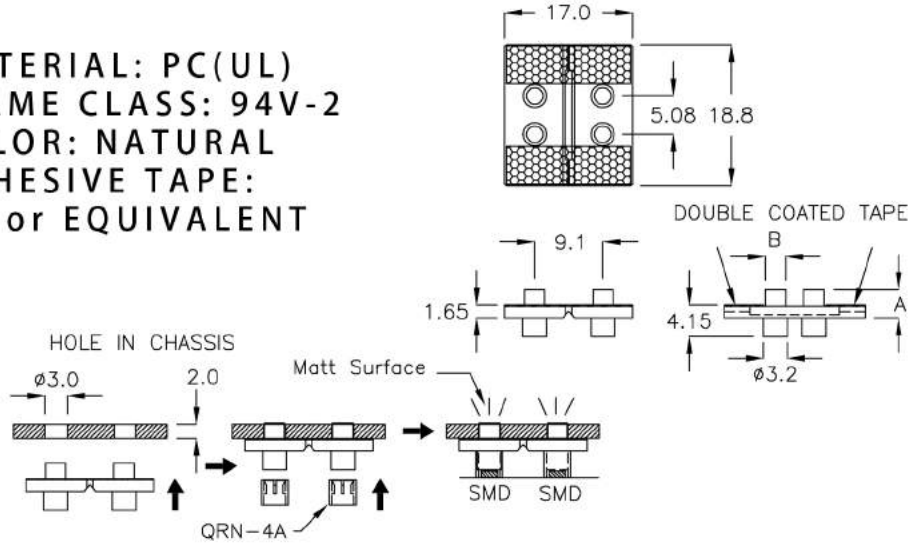
PART NO	A	B	PACKAGE
LEGD-2A	3.7	2x $\phi 2.7$	1000
LEGD-2KM	3.3	2x $\phi 2.7$	



導光柱 LIGHT PIPE

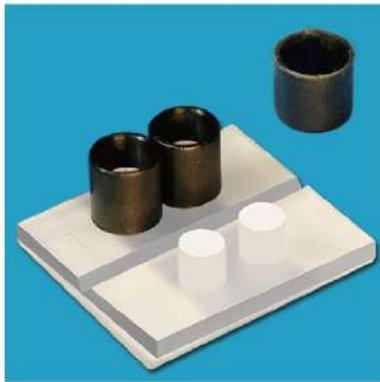


MATERIAL: PC(UL)
 FLAME CLASS: 94V-2
 COLOR: NATURAL
 ADHESIVE TAPE:
 3M or EQUIVALENT

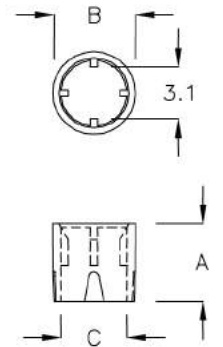


PART NO	A	B	PACKAGE
LEGD-4C	3.7	4x $\phi 2.7$	1000
LEGD-4QN	3.3	4x $\phi 2.7$	

遮光罩 LIGHT COVER



MATERIAL: NYLON 66(UL)
 FLAME CLASS: 94V-2
 COLOR: BLACK

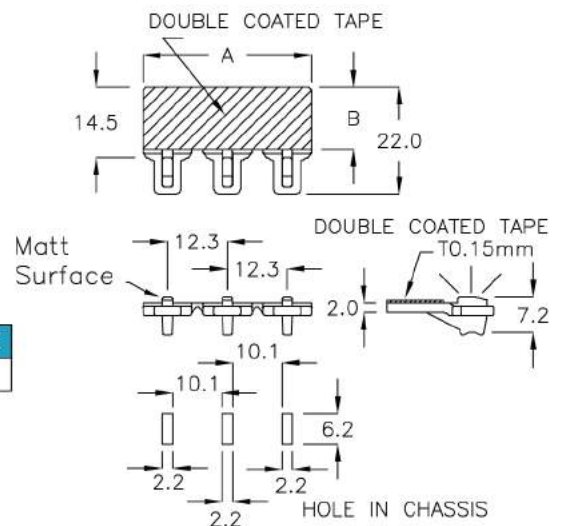


PART NO	A	B	C	PACKAGE
QRN-4A	4.7	$\phi 5.0$	$\phi 4.0$	2000

導光柱 LIGHT PIPE



MATERIAL: PC(UL)
 FLAME CLASS: 94V-2
 COLOR: NATURAL
 ADHESIVE TAPE: 3M

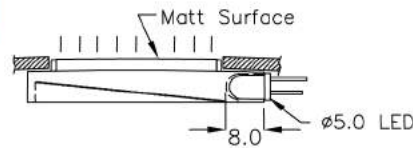


PART NO	A	B	PACKAGE
LEND-22A	34.6	12.8	200

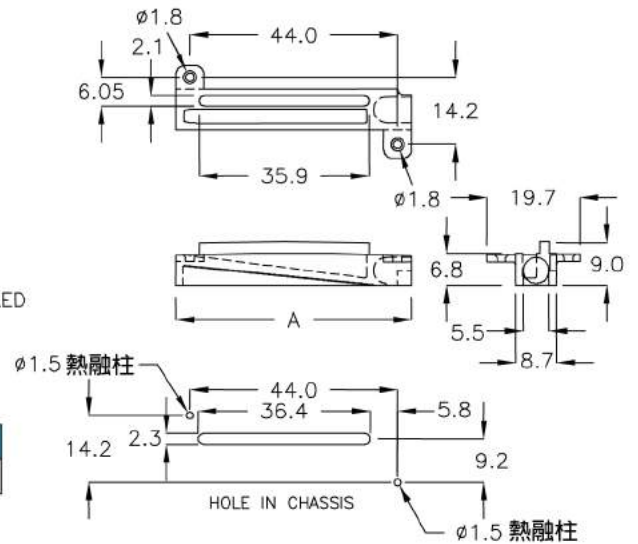
導光柱 LIGHT PIPE



MATERIAL: PC(UL)
FLAME CLASS: 94V-2
COLOR: CLEAR



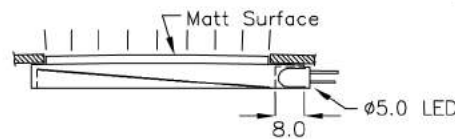
PART NO	A	PACKAGE
LEAD-1KC	50.0	500



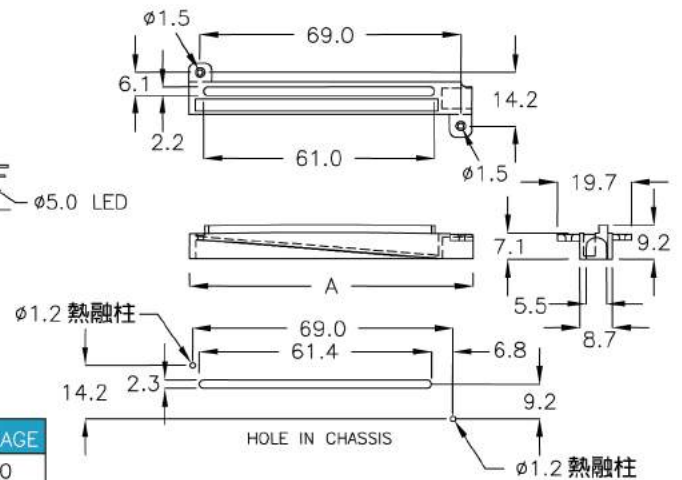
導光柱 LIGHT PIPE



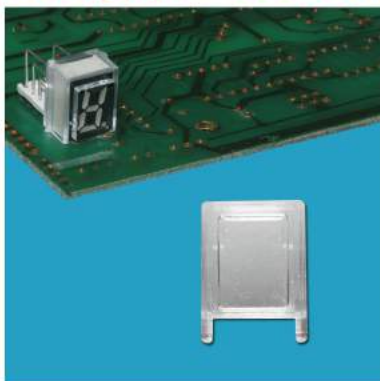
MATERIAL: PC(UL)
FLAME CLASS: 94V-2
COLOR: CLEAR



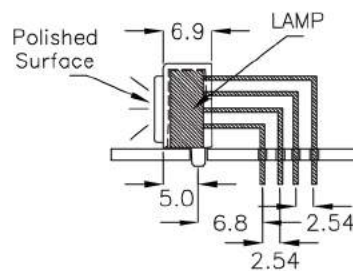
PART NO	A	PACKAGE
LEAD-1NJ	75.0	100



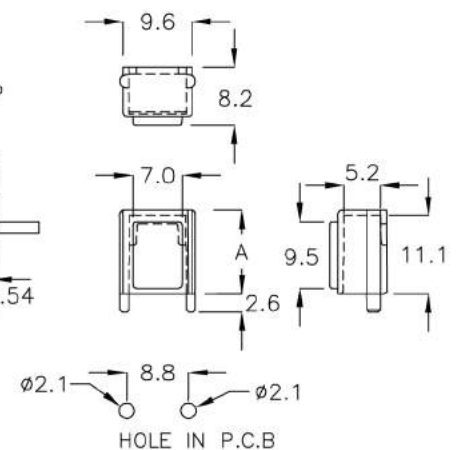
LED導光罩 LED CAP



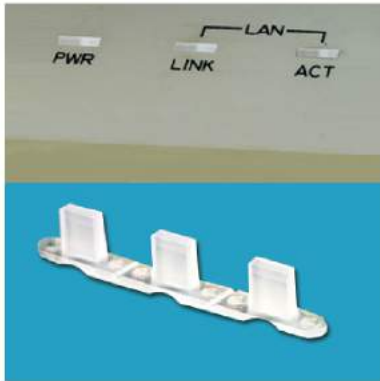
MATERIAL: PC(UL)
FLAME CLASS: 94V-0
COLOR: NATURAL



PART NO	A	PACKAGE
LDHD-12MG	11.9	1000

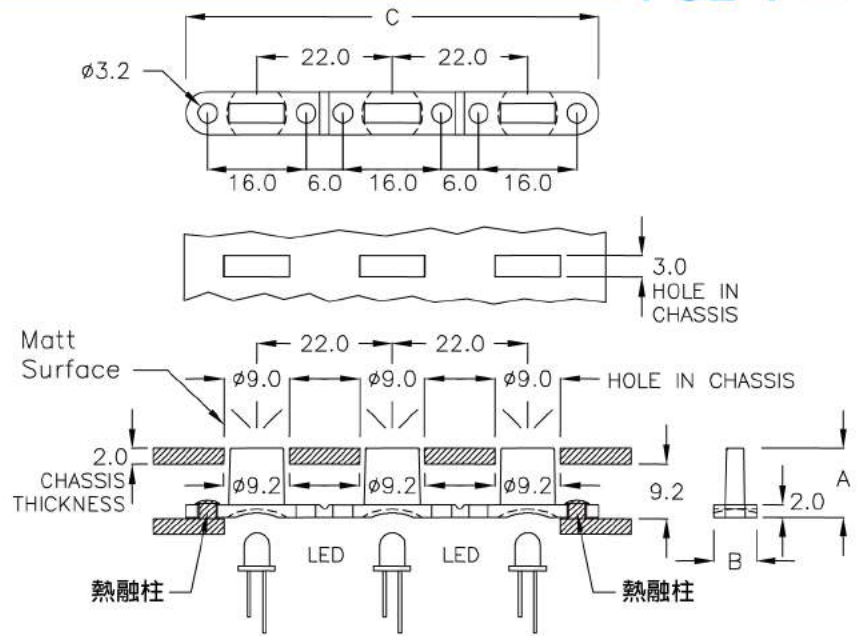


導光柱 LIGHT PIPE



MATERIAL: PC(UL)
FLAME CLASS: 94V-2
COLOR: NATURAL

PART NO	A	B	C	PACKAGE
LEXD-67D	11.2	7.0	67.0	200

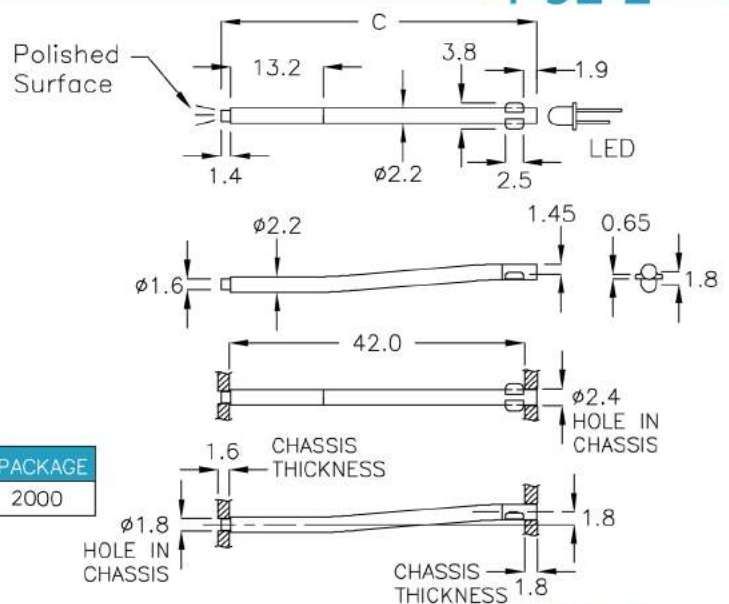


導光棒 LIGHT PIPE



MATERIAL: PC(UL)
FLAME CLASS: 94V-0
COLOR: CLEAR

PART NO	C	PACKAGE
LDAD-45AT	44.9	2000

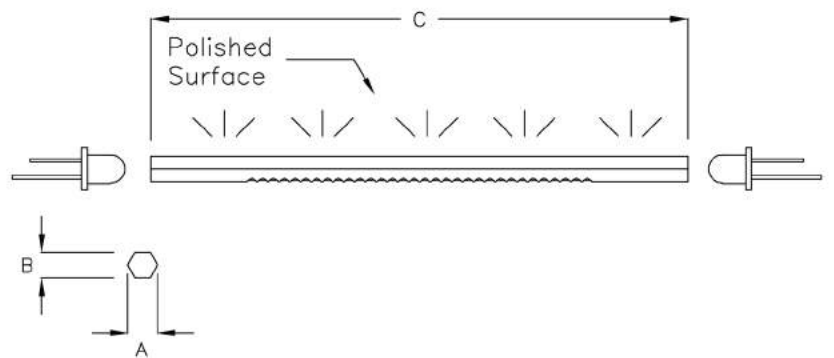


導光柱 LIGHT PIPE



MATERIAL: PC(UL)
FLAME CLASS: 94V-2
COLOR: CLEAR

PART NO	A	B	C	PACKAGE
LEAD-50	2.75	2.38	113.0	500



2



線扣
BUSHING



塞環
HOLE PLUG

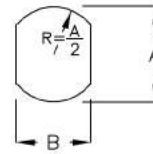


護線環
SNAP BUSHING

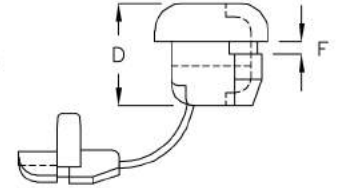


電源線扣 STRAIN RELIEF BUSHING

MATERIAL: NYLON 66(UL)
FLAME CLASS: 94V-2
COLOR: BLACK



HOLE IN CHASSIS



PG Cord Bushings are the easy and low-cost way to insulate and protect your AC Cords. Provide non-slip grip and will not damage the insulation of AC Cord.

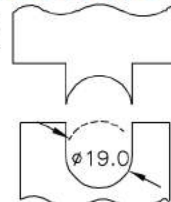


PART NO	SUITABLE CABLE TYPE & DIMENSIONS OF CHASSIS						D PART LENGTH	UL	PACKAGE
	CROSS SECTION SHAPE	WIRE ACCOMMODATED	SIZE	A	B TO PREVENT ROTATION	F MAXIMUM THICKNESS			
2RF-2	FLAT	SPT-1	2.8x5.3	9.5	8.7	3.2	10.3	UL	500
3RF-1	FLAT	SPT-2	3.0x5.6	11.1	9.9	2.6	10.3		
3RF-2	FLAT	SPT-2	3.0x5.6	11.1	10.1	1.6	10.3	UL	
4RF-4	FLAT	SPT-2	3.0x5.6	12.7	11.5	2.5	11.2	UL	
4RF-5	FLAT	SPT-2	3.8x7.6	12.7	11.8	1.6	10.6	UL	
4RF-6	FLAT	SPT-2	3.0x6.5	12.5	11.6	2.7	10.4	UL	
5R-2	ROUND	SVI	7.6	12.7	11.5	1.6	11.2		
5R-4	ROUND	SV,SVT	6.4	12.7	11.5	1.6	11.3	UL	
5R-4A	ROUND	SV,SVT	6.4	12.7	11.5	2.5	11.0	UL	
5RF-4	FLAT	SPT-2	3.8x8.9	14.3	13.4	1.6	15.4	UL	200
5RF-4	FLAT	SPT-3	5.0x10.0	14.3					
6R-4	ROUND	SVI	7.6	15.9	14.0	1.6	14.8	UL	
6R-6	ROUND	SJ,SJT	8.2	15.9	14.0	1.6	14.6	UL	
6R-6A	ROUND	SJ,SJT	8.2	15.9	14.0	3.2	14.6		
7R-2	ROUND	S,ST	9.2-10.5	19.0	16.8	1.6	19.0	UL	
7R-2	ROUND	S,ST	11.0	19.8					
7R-2A	ROUND	S,ST	9.2-10.5	19.0	16.8	3.2	19.0	UL	
7R-2A	ROUND	S,ST	11.0	19.8					
8R-2	ROUND	SJT	13.5-15.2	22.2	21.5	3.2	20.0	UL	
8R-2A	ROUND	SJT	13.5	23.0	22.0	2.0	19.9		
9R-2	ROUND	SJT	15.2-16.3	28.0	25.2	2.4	25.6		50
9R-2	ROUND	SJT	17.5	30.2	25.2	6.7	25.6		
9R-2A	ROUND	SJT	15.5	28.0	25.2	2.4	14.3		100
9R-2B	ROUND	SJT	18.2	28.0	25.2	2.4	23.8		50

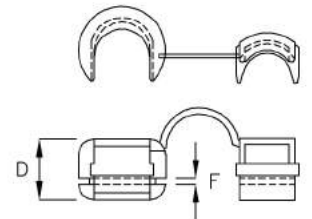


電源線扣 STRAIN RELIEF BUSHING

MATERIAL: NYLON 66(UL)
FLAME CLASS: 94V-2
COLOR: BLACK

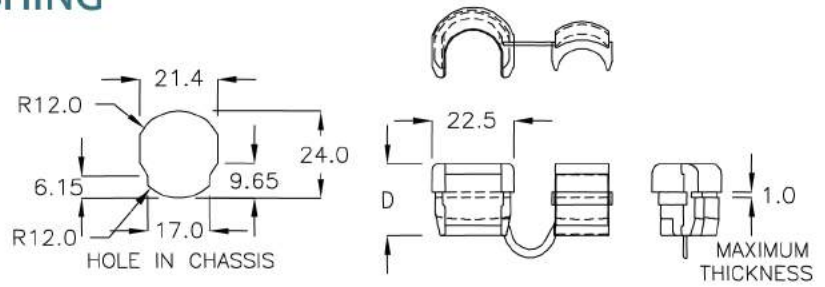


HOLE IN CHASSIS



PART NO	SUITABLE CABLE TYPE & DIMENSIONS OF CHASSIS				D PART LENGTH	UL	PACKAGE
	CROSS SECTION SHAPE	WIRE ACCOMMODATED	SIZE	F MAXIMUM THICKNESS			
7R-7	ROUND	S.P.S	14.0	1.6	17.6	UL	100
7R-7B	ROUND	S.P.S	12.5	1.3	17.5		
7R-7C	ROUND	S.P.S	13.5	1.3	17.6		
7R-7E	ROUND	S.P.S	12.0	1.3	17.5		

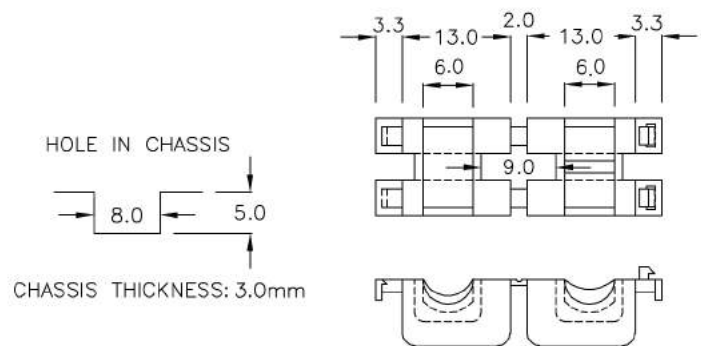
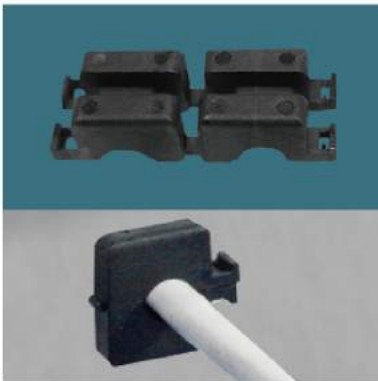
電源線扣 STRAIN RELIEF BUSHING



MATERIAL: NYLON 66(UL)
FLAME CLASS: 94V-2
COLOR: BLACK

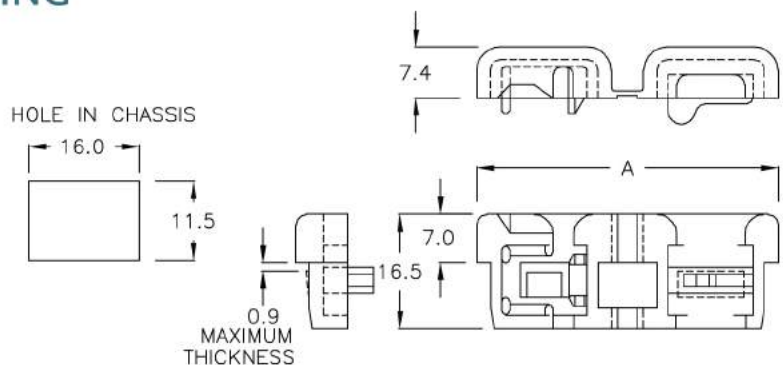
PART NO	D	WIRE ACCOMMODATED	PACKAGE
8R-2QT	19.8	∅15.0	100

電源線扣 STRAIN RELIEF BUSHING (5R-1)



MATERIAL: NYLON 66(UL)
FLAME CLASS: 94V-2
COLOR: BLACK
PACKAGE: 200

電源線扣 STRAIN RELIEF BUSHING



MATERIAL: NYLON 66(UL)
FLAME CLASS: 94V-2
COLOR: BLACK



PART NO	A	WIRE ACCOMMODATED	UL	PACKAGE
5RF-5A	42.6	SPT-2	UL	200
5RF-5B	42.8	SPT-2	UL	
5RF-5D	42.8	SPT-2		

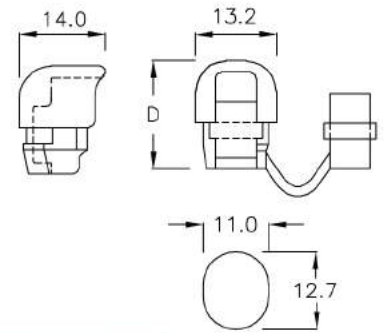
電源線扣 STRAIN RELIEF BUSHING



MATERIAL: NYLON 66(UL)
FLAME CLASS: 94V-2
COLOR: BLACK



PART NO	WIRE ACCOMMODATED	MAXIMUM THICKNESS	D	UL	PACKAGE
5R-6	SPT-2(3x6.6)	2.5	17.6	UL	200
5R-7	SV(ø6)	2.5	17.7	UL	

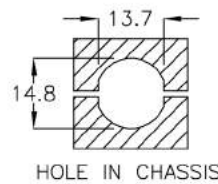


HOLE IN CHASSIS

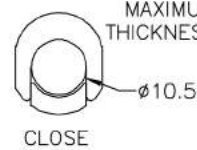
電源線扣 STRAIN RELIEF BUSHING



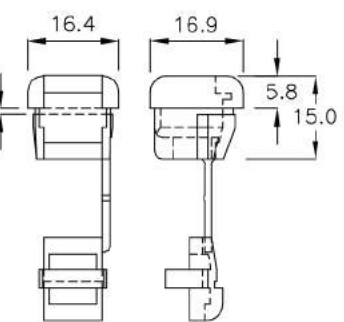
MATERIAL: NYLON 66(UL)
FLAME CLASS: 94V-2
COLOR: BLACK



HOLE IN CHASSIS



CLOSE

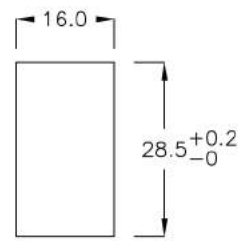


PART NO	MAXIMUM THICKNESS:T	PACKAGE
7R-2D	1.0	100

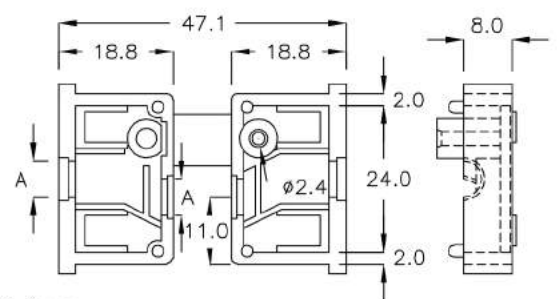
電源線扣 STRAIN RELIEF BUSHING



MATERIAL: NYLON 66(UL)
FLAME CLASS: 94V-2
COLOR: GRAY,BLACK

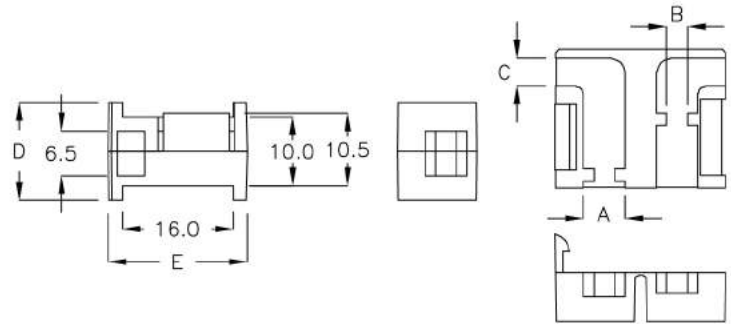
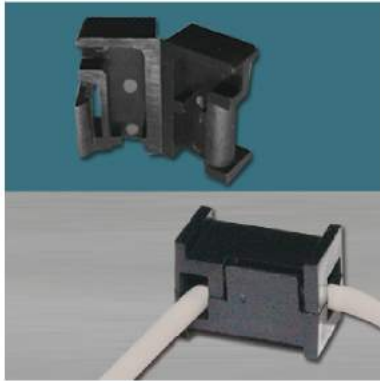


HOLE IN CHASSIS
 MAXIMUM THICKNESS:1.2mm



PART NO	A	PACKAGE
6R-9	ø6.0	100
6R-09C	ø8.5	200

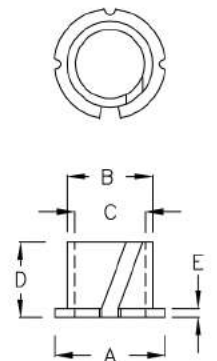
電源線扣 STRAIN RELIEF BUSHING



MATERIAL: NYLON 66(UL)
FLAME CLASS: 94V-2
COLOR: BLACK

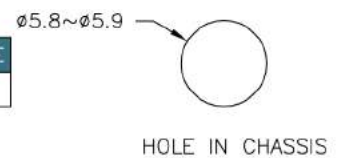
PART NO	A	B	C	D	E	PACKAGE
2RF-25	6.0	3.2	4.0	14.0	20.0	500

保護座 PROTECT HOUSING

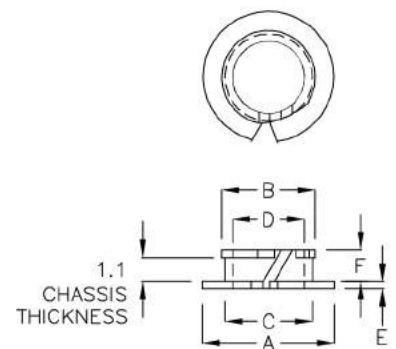
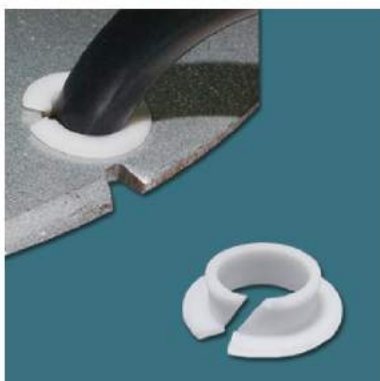


MATERIAL: NYLON 66(UL)
FLAME CLASS: 94V-2
COLOR: NATURAL

PART NO	A	B	C	D	E	PACKAGE
SG-05	ø8.0	ø6.2	ø5.05	5.4	0.6	2000

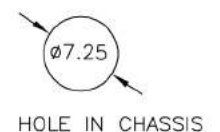


保護座 PROTECT HOUSING



MATERIAL: NYLON 66(UL)
FLAME CLASS: 94V-0
COLOR: NATURAL

PART NO	A	B	C	D	E	F	PACKAGE
SG-0610A	ø11.0	ø7.8	ø7.3	ø6.0	0.6	2.6	1000

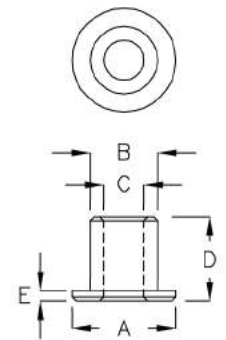


塞環 BUSHING



MATERIAL: POM
COLOR: BLACK

PART NO	A	B	C	D	E	PACKAGE
SLM-05	∅8.0	∅5.2	∅3.1	6.5	0.8	1000

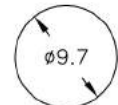
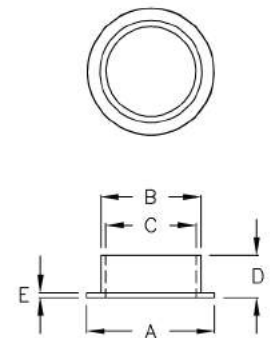


護線環 SNAP BUSHING



MATERIAL: NYLON 66(UL)
FLAME CLASS: 94V-2
COLOR: NATURAL

PART NO	A	B	C	D	E	PACKAGE
SL-0910	∅12.2	∅9.6	∅8.6	4.0	0.5	1000



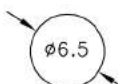
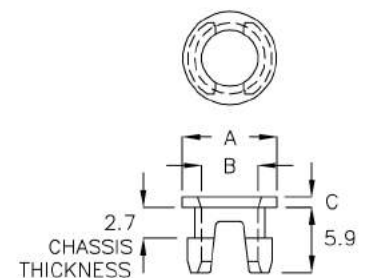
HOLE IN CHASSIS

護線環 SNAP BUSHING



MATERIAL: NYLON 66(UL)
FLAME CLASS: 94V-2
COLOR: BLACK

PART NO	A	B	C	PACKAGE
SBK-5AQ	8.5	5.1	0.9	1000



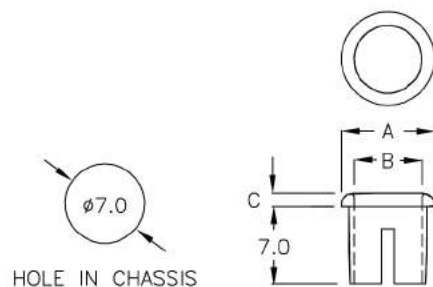
HOLE IN CHASSIS

護線環 SNAP BUSHING

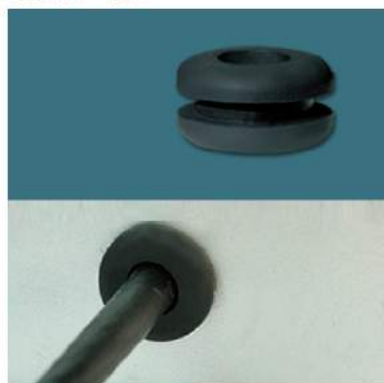


MATERIAL: NYLON 66(UL)
FLAME CLASS: 94V-2
COLOR: NATURAL

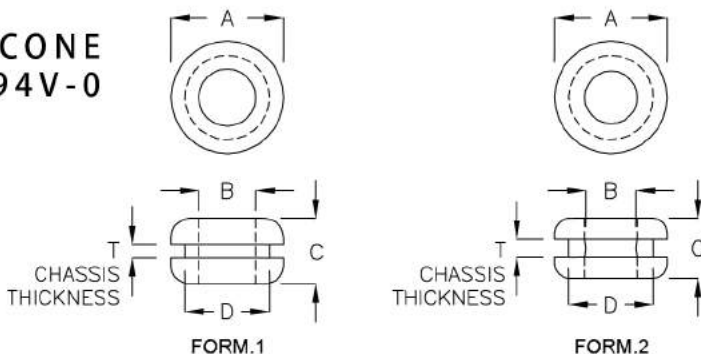
PART NO	A	B	C	PACKAGE
SBD-06	8.5	6.2	1.2	1000



護線環 SNAP BUSHING



MATERIAL: SILICONE
FLAME CLASS: 94V-0
COLOR: BLACK

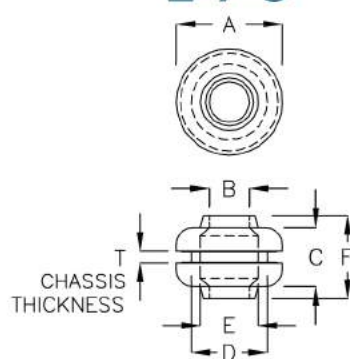


PART NO	A	B	C	D HOLE IN CHASSIS	T CHASSIS THICKNESS	FORM	PACKAGE
WSP-8QN	8.8	4.4	5.7	∅6.8	1.6	2	1000
WSP-12F	12.0	6.1	7.0	∅9.0	1.3	1	
WSP-12AC	12.8	6.8	6.8	∅10.0	1.4	2	2000
WSP-16BK	16.0	5.4	8.5	∅12.0	2.4	2	1000
WSP-16C	16.0	7.1	8.5	∅12.0	2.4	2	
WSP-20K	20.0	8.2	8.5	∅16.0	2.4	2	500
WSP-20RY	20.0	6.8	8.5	∅16.0	2.4	2	

護線環 SNAP BUSHING



MATERIAL: SILICONE
FLAME CLASS: 94V-0
COLOR: BLACK

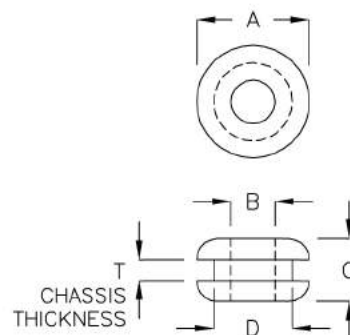


PART NO	A	B	C	E	F	D HOLE IN CHASSIS	T CHASSIS THICKNESS	PACKAGE
WSZ-9AC	9.4	3.1	5.7	4.8	8.5	∅7.0	1.6	1000
WSZ-12KM	12.6	4.8	7.0	6.8	9.8	∅8.9	1.6	
WSZ-13BR	13.9	5.3	6.9	7.3	9.7	∅10.4	1.6	
WSZ-14A	15.5	6.6	6.7	8.6	9.5	∅12.0	1.6	
WSZ-14DX	14.2	6.2	6.7	8.2	9.5	∅10.6	1.6	
WSZ-15DZ	15.5	6.9	6.9	8.9	9.7	∅12.0	1.6	
★ WSZ-16AM	16.0	7.4	6.9	9.4	9.7	∅12.5	1.6	

護線環 SNAP BUSHING



MATERIAL: SILICONE
COLOR: BLACK

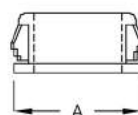
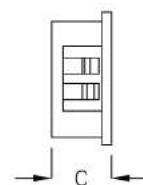
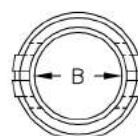


PART NO	A	B	C	D HOLE IN CHASSIS	T CHASSIS THICKNESS	PACKAGE
SB-0603	8.5	3.3	4.5	ø5.3	1.4	2000
SB-0806	10.5	5.5	5.5	ø7.5	1.4	1000
SB-1208	16.0	10.0	8.0	ø12.0	3.0	

護線環 SNAP BUSHING



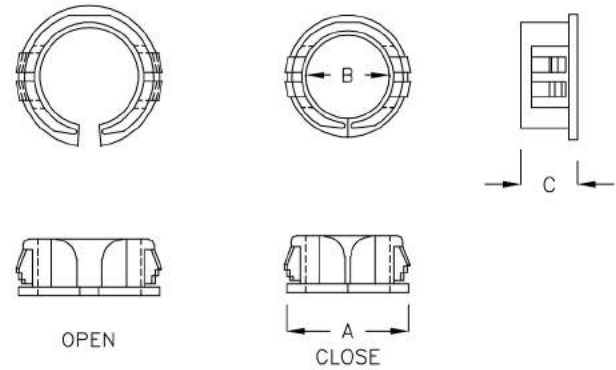
MATERIAL: NYLON 66(UL)
FLAME CLASS: 94V-2
COLOR: BLACK



RU[®] E88476

PART NO	CHASSIS THICKNESS	HOLE IN CHASSIS	A	B	C	UL	PACKAGE
SB-4757	3.6~6.4	ø57.2	63.1	47.1	18.3		50
SB-3845	1.5~3.2	ø44.5	47.7	35.3	11.6		100
SB-3338K	1.0~3.2	ø38.1	40.9	33.3	11.5		200
SB-3338	6.4	ø38.1	41.2	33.3	14.3		
SB-2634	1.0~2.8	ø34.2	38.0	26.2	11.5	UL	100
SB-2530	1.0~3.1	ø30.0	33.5	25.2	11.5		
SB-2428	1.0~3.3	ø28.0	31.5	24.1	11.3		200
SB-1822	0.9~2.3	ø22.0	24.8	18.2	11.5	UL	
SB-1519	1.0~3.0	ø19.0	21.7	15.3	11.1	UL	
SB-1316	1.4~3.5	ø16.0	18.0	12.8	10.4	UL	500
SB-1316K	0.8~1.8	ø16.0	18.0	12.8	10.4		
SB-1013	0.8~3.0	ø13.0	15.3	10.2	9.1	UL	1000
SB-0710	0.8~1.8	ø10.0	12.1	7.2	6.6	UL	
SB-0305	1.6~1.7	ø4.8	6.5	3.2	6.0		

開口式護線環 OPEN CLOSED BUSHING

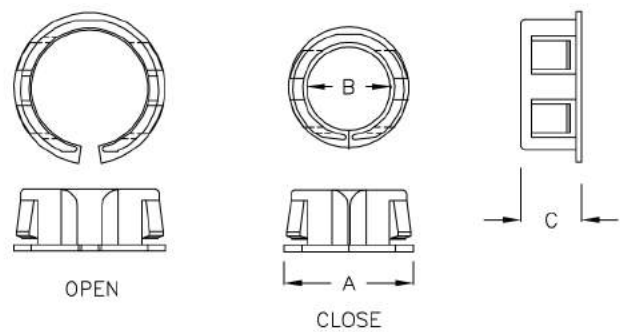
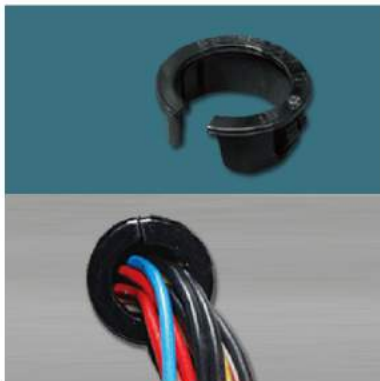


MATERIAL: NYLON 66(UL)
FLAME CLASS: 94V-2
COLOR: BLACK



PART NO	CHASSIS THICKNESS	HOLE IN CHASSIS	A	B	C	UL	PACKAGE
SB-1822A	1.0~3.5	ø22.0	24.8	17.3	11.5	UL	200
SB-1922A	0.8~1.2	ø22.0	25.0	19.0	7.4		500
SB-1720A	0.8~1.0	ø20.0	23.5	17.0	7.2		
SB-1519A	1.2~3.3	ø19.0	20.6	14.4	11.0	UL	200
SB-1316A	1.2~3.5	ø16.0	18.0	10.5	10.5	UL	500
SB-1216A	0.7~3.3	ø16.0	18.6	12.3	10.0	UL	
SB-1013A	0.8~3.5	ø13.0	14.9	9.0	10.5	UL	
SB-0609A	0.7~1.7	ø9.5	11.4	6.6	6.5	UL	1000

開口式護線環 OPEN CLOSED BUSHING

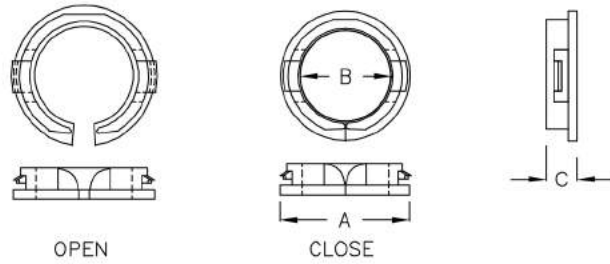


MATERIAL: NYLON 66(UL)
FLAME CLASS: 94V-2
COLOR: BLACK



PART NO	CHASSIS THICKNESS	HOLE IN CHASSIS	A	B	C	UL	PACKAGE
SB-2126A	0.8~1.2	ø25.4~25.6	28.0	21.1	8.0		500
SB-2024A	0.8~1.2	ø24.0	26.4	20.0	11.3	UL	
SB-2228A	0.8~1.2	ø27.8	28.8	22.0	9.0		200

開口式護線環 OPEN CLOSED BUSHING

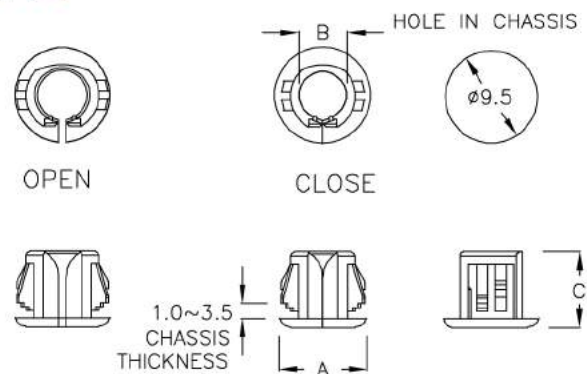
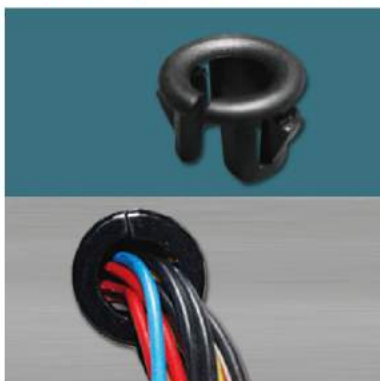


MATERIAL: NYLON 66(UL)
FLAME CLASS: 94V-2
COLOR: BLACK



PART NO	CHASSIS THICKNESS	HOLE IN CHASSIS	A	B	C	UL	PACKAGE
SA-2529A	0.4~1.1	∅29.0	32.6	25.0	7.0		200
SA-2327A	0.4~1.0	∅27.0~∅27.2	30.6	23.0	6.0		
SA-2024A	1.0~1.2	∅24.0	26.0	20.0	5.3		500
SA-2024A1	0.8~1.0	∅24.0	26.0	20.0	5.4		
SA-1822A	0.8~1.0	∅22.0	24.6	17.6	5.6	UL	
SA-1519A	0.8~1.0	∅19.0	21.8	14.9	5.7		
SA-1317Q	1.8~2.0	∅17.0	19.5	13.5	5.9		
SA-1316A	1.0~1.4	∅16.0	18.4	12.5	5.4	UL	
SA-1013A	1.0~1.5	∅13.0	15.5	9.6	5.4		1000
SA-1013C	1.9~2.0	∅13.0	15.5	9.6	5.9		
SA-0407A	0.7~0.9	∅6.8~∅7.0	9.8	4.8	5.0	UL	
SA-0204K	0.7~0.9	∅4.5	5.1	2.8	5.0		

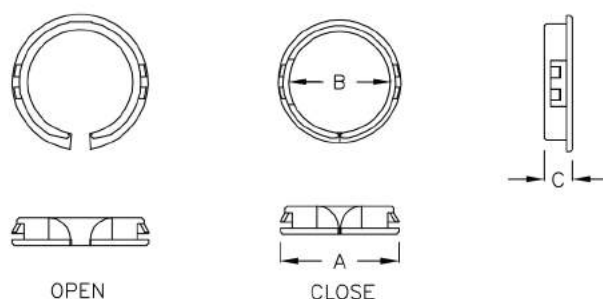
開口式護線環 OPEN CLOSED BUSHING



MATERIAL: NYLON 66(UL)
FLAME CLASS: 94V-2
COLOR: BLACK

PART NO	HOLE IN CHASSIS	CHASSIS THICKNESS	A	B	C	PACKAGE
SB-0609C	∅9.5	1.0~3.5	11.8	6.1	9.8	1000

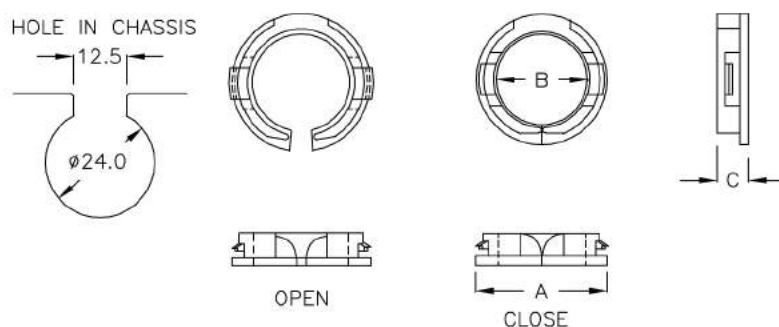
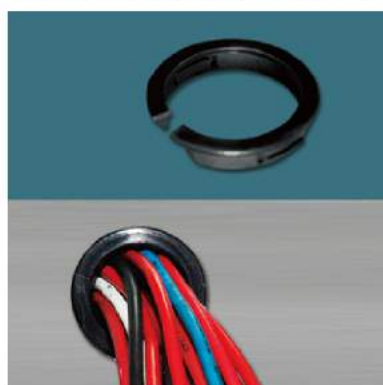
開口式護線環 OPEN CLOSED BUSHING



MATERIAL: NYLON 66(UL)
FLAME CLASS: 94V-2
COLOR: BLACK

PART NO	CHASSIS THICKNESS	HOLE IN CHASSIS	A	B	C	PACKAGE
SY-2832A	0.8~1.4	∅32.0	35.1	28.2	6.7	200

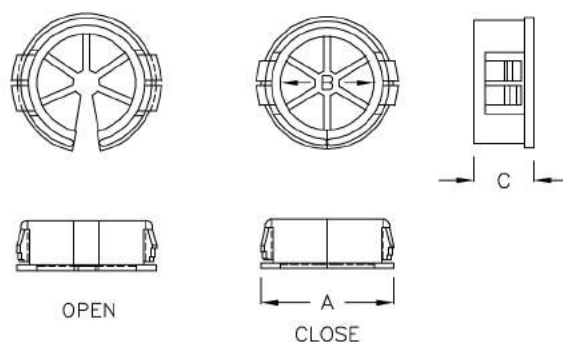
開口式護線環 OPEN CLOSED BUSHING



MATERIAL: NYLON 66(UL)
FLAME CLASS: 94V-2
COLOR: BLACK

PART NO	MAXIMUM THICKNESS	A	B	C	PACKAGE
SA-2024C	0.8~1.1	26.0	20.0	5.3	500

開口式護線環 OPEN CLOSED BUSHING



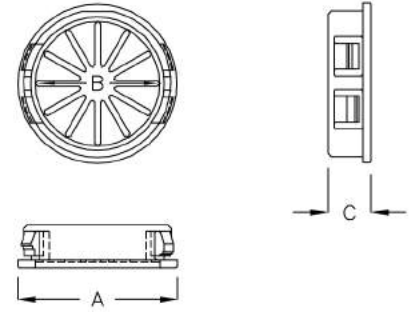
MATERIAL: NYLON 66(UL)
FLAME CLASS: 94V-2
COLOR: BLACK

PART NO	MAXIMUM THICKNESS	HOLE IN CHASSIS	A	B	C	PACKAGE
SC-2128A	0.8~3.0	∅27.8~∅28.0	29.5	20.7	11.5	200
SC-1926A	0.8~3.0	∅25.4~∅25.5	27.0	19.0	11.5	
SC-1926C	0.8~1.0	∅25.4~∅25.5	27.0	19.0	5.3	500
SC-1422A	0.8~3.0	∅22.2~∅22.4	23.8	14.6	11.5	
SC-1319A	0.8~3.0	∅19.0~∅19.1	21.8	14.1	9.9	

護線環 SNAP BUSHING



MATERIAL: NYLON 66(UL)
FLAME CLASS: 94V-2
COLOR: BLACK

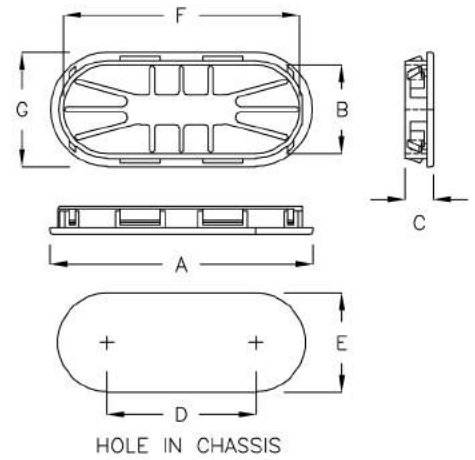


PART NO	CHASSIS THICKNESS	HOLE IN CHASSIS	A	B	C	PACKAGE
SS-3238	1.2~3.2	∅38.1~∅38.2	41.0	32.0	11.0	200

護線環 SNAP BUSHING



MATERIAL: NYLON 66(UL)
FLAME CLASS: 94V-2
COLOR: BLACK

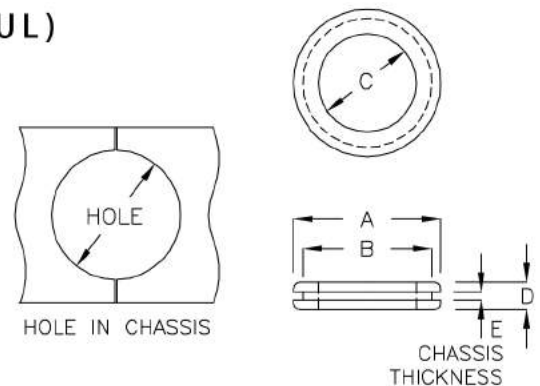


PART NO	CHASSIS THICKNESS	A	B	C	D	E	G	F	PACKAGE
SSK-7175	1.2	79.4	26.7	8.5	45.0	30.0	34.7	71.4	100
SSK-106110	1.2	115.4	46.7	8.5	60.0	50.0	55.7	106.4	

護線環 SNAP BUSHING



MATERIAL: NYLON 66(UL)
FLAME CLASS: 94V-2
COLOR: BLACK

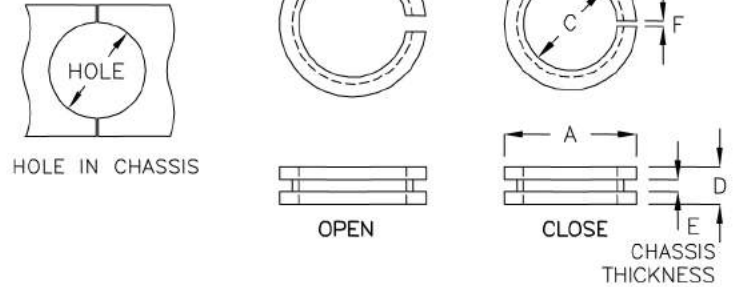


PART NO	HOLE IN CHASSIS	A	B	C	D	E CHASSIS THICKNESS	PACKAGE
SB-2114	∅18.0	∅21.2	∅18.0	∅14.1	4.0	1.0	1000

開口式護線環 OPEN CLOSED BUSHING



MATERIAL: NYLON 66(UL)
FLAME CLASS: 94V-2
COLOR: BLACK

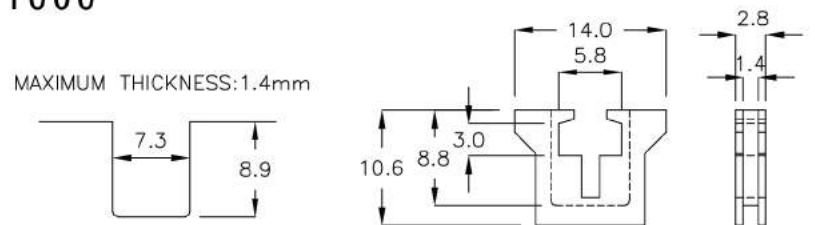


PART NO	HOLE IN CHASSIS	A	C	D	E CHASSIS THICKNESS	F	PACKAGE
SB-1223A	∅19.0	22.0	11.9	4.8	1.1	1.2~2.3	500
SB-1318A	∅14.8	18.0	12.8	6.1	2.2	0.7~1.3	
SB-1420A	∅16.0	18.9	13.6	3.65	1.5	0.3~0.8	

方型護線環 EDGE SADDLE (DS-7)



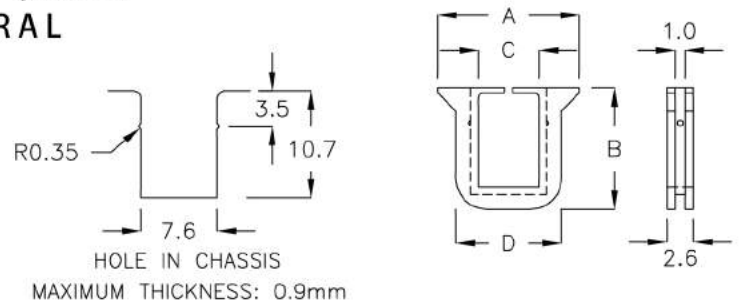
MATERIAL: NYLON 66(UL)
FLAME CLASS: 94V-2
COLOR: NATURAL
PACKAGE: 1000



方型護線環 EDGE SADDLE



MATERIAL: NYLON 66(UL)
FLAME CLASS: 94V-2
COLOR: NATURAL

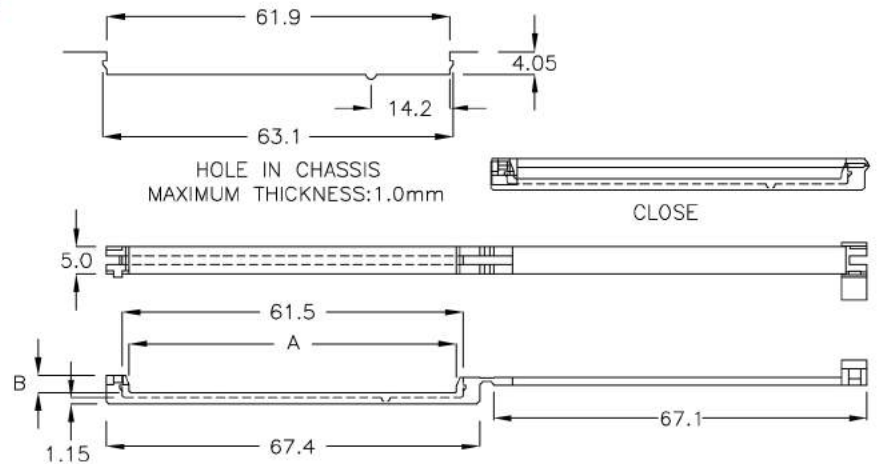


PART NO	A	B	C	D	PACKAGE
DS-8	14.0	12.0	6.0	10.4	2000

方型護線環 EDGE SADDLE



MATERIAL: NYLON 66(UL)
FLAME CLASS: 94V-2
COLOR: BLACK

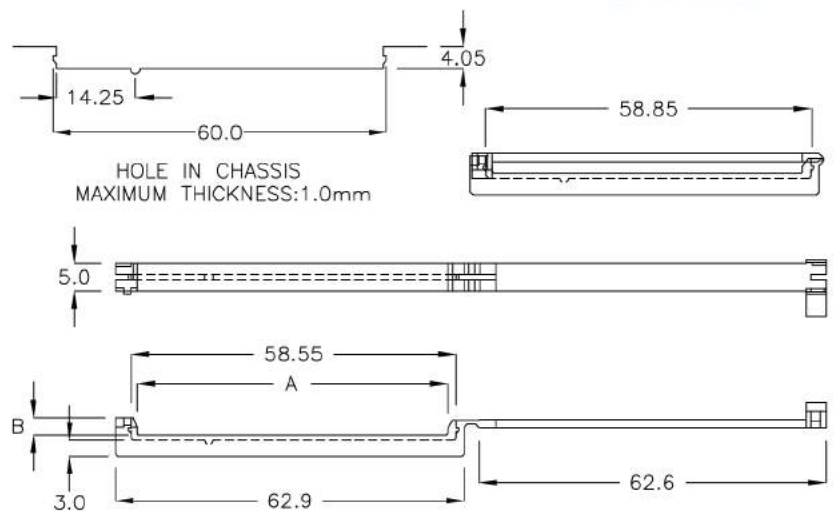


PART NO	A	B	PACKAGE
DDS-02	59.0	3.1	200

方型護線環 EDGE SADDLE

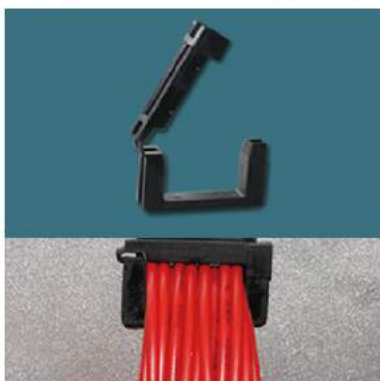


MATERIAL: NYLON 66(UL)
FLAME CLASS: 94V-2
COLOR: BLACK

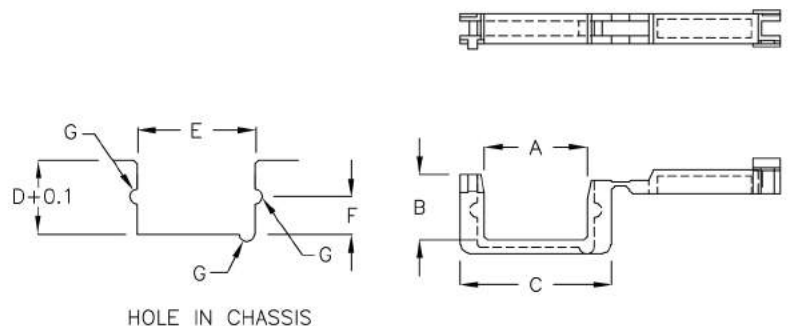


PART NO	A	B	PACKAGE
DDS-03	56.0	3.1	200

方型護線環 EDGE SADDLE

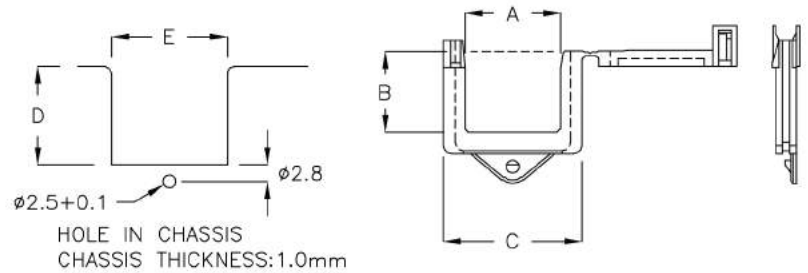


MATERIAL: NYLON 66(UL)
FLAME CLASS: 94V-2
COLOR: BLACK



PART NO	A	B	C	D	E	F	G	MAXIMUM THICKNESS	PACKAGE
DDS-01	17.4	11.2	25.8	12.6	20.0	6.3	R1.4	2.1	500
DDS-06	28.0	6.6	36.6	9.0	31.0	3.3	R1.35	2.0	200

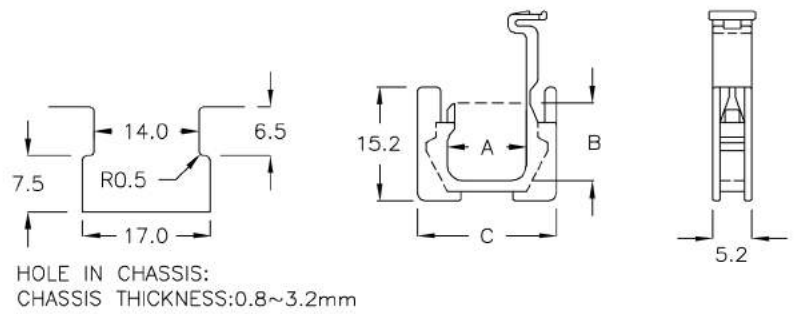
方型護線環 EDGE SADDLE



MATERIAL: NYLON 66(UL)
FLAME CLASS: 94V-2
COLOR: BLACK

PART NO	A	B	C	D	E	PACKAGE
DDS-17	17.0	14.4	24.6	21.0	21.0	200
DDS-22	22.4	21.3	30.6	29.0	27.1	

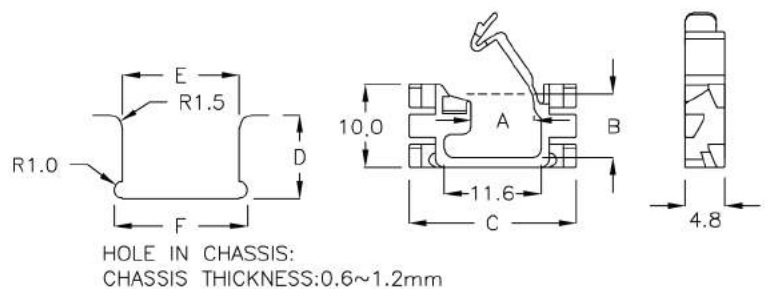
方型護線環 EDGE SADDLE



MATERIAL: NYLON 66(UL)
FLAME CLASS: 94V-2
COLOR: NATURAL

PART NO	A	B	C	PACKAGE
DSF-10A	10.5	10.8	18.5	500

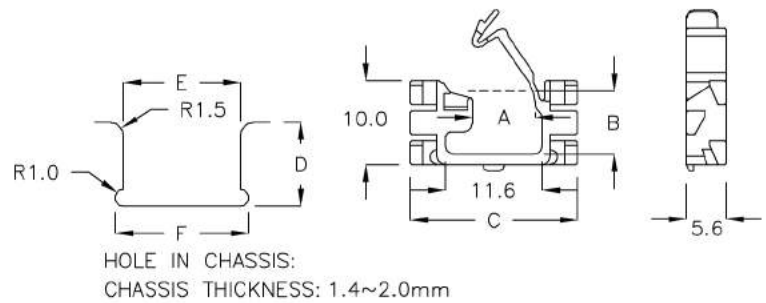
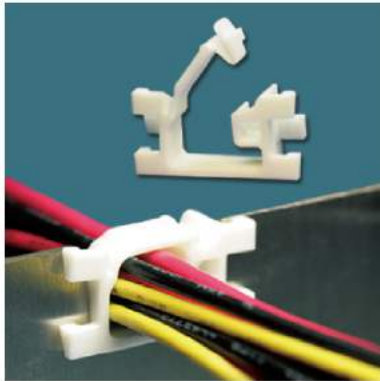
方型護線環 EDGE SADDLE



MATERIAL: NYLON 66(UL)
FLAME CLASS: 94V-2
COLOR: NATURAL

PART NO	A	B	C	D	E	F	PACKAGE
DSW-11A	7.6	7.7	20.0	10.0	14.0	16.0	1000

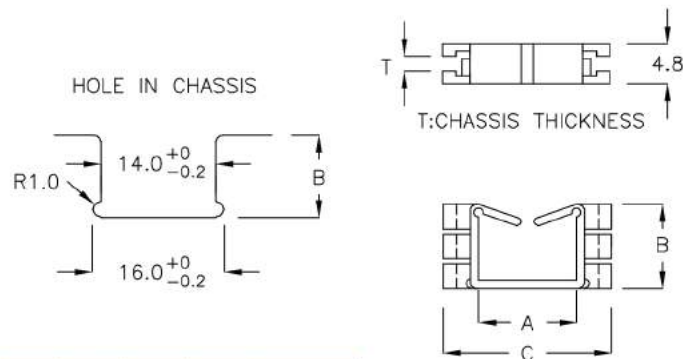
方型護線環 EDGE SADDLE



MATERIAL: NYLON 66(UL)
FLAME CLASS: 94V-2
COLOR: NATURAL

PART NO	A	B	C	D	E	F	PACKAGE
DSW-11MQ	7.6	7.7	20.0	10.0	14.0	16.0	1000

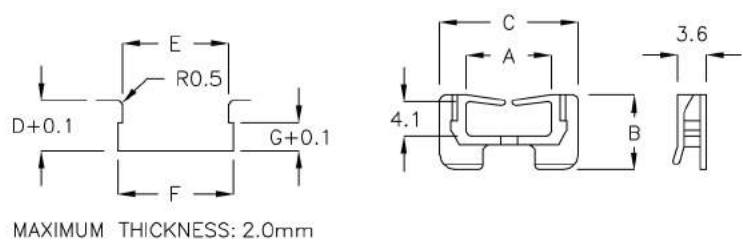
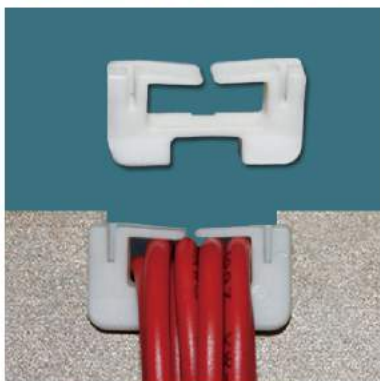
方型護線環 EDGE SADDLE



MATERIAL: NYLON 66(UL)
FLAME CLASS: 94V-2
COLOR: BLACK

PART NO	A	B	C	T	PACKAGE
DS-1	12.0	10.0	20.2	0.9	1000
DS-3	12.0	10.0	20.2	1.9	

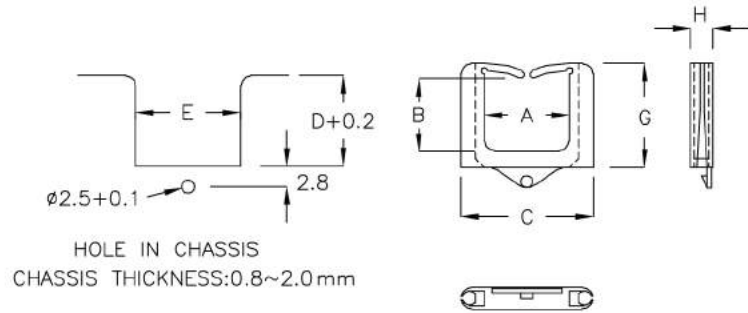
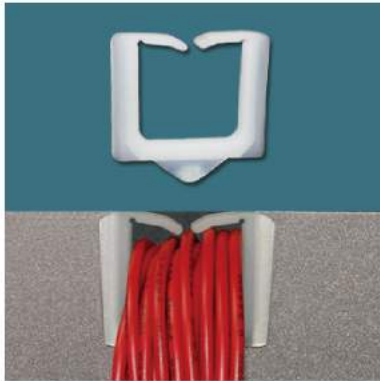
方型護線環 EDGE SADDLE



MATERIAL: NYLON 66(UL)
FLAME CLASS: 94V-0
COLOR: NATURAL

PART NO	A	B	C	D	E	F	G	PACKAGE
DS-02S	5.2	8.5	11.5	6.1	8.1	9.1	3.6	2000
DS-2	10.2	9.1	16.9	6.1	12.8	13.8	3.4	1000

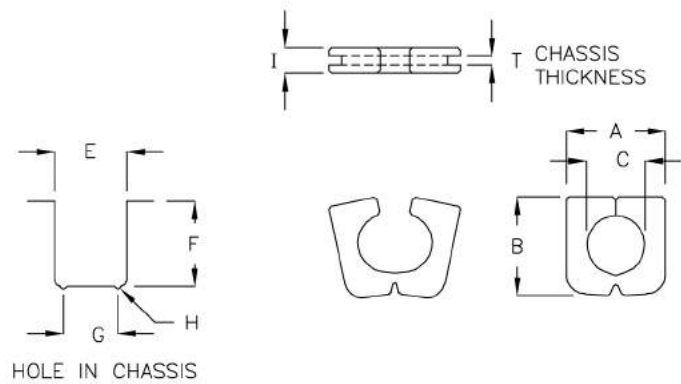
方型護線環 EDGE SADDLE



MATERIAL: NYLON 66(UL)
FLAME CLASS: 94V-2
COLOR: NATURAL

PART NO	A	B	C	D	E	G	H	PACKAGE
DS-11A	11.5	6.3	25.0	12.5	13.6 ^{+0.1} ₋₀	12.5	7.1	1000
DS-12	11.5	7.3	19.8	12.3	14.0 ^{+0.1} ₋₀	12.2	4.5	
DS-16	17.0	14.6	26.0	21.0	21.0 ⁺⁰ _{-0.2}	21.1	4.5	500
DS-23	22.8	22.4	33.3	29.0	27.0 ^{+0.1} ₋₀	29.0	4.5	

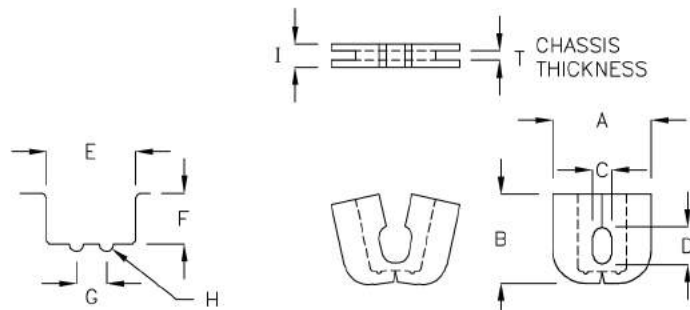
方型護線環 EDGE SADDLE



MATERIAL: NYLON 66(UL)
FLAME CLASS: 94V-2
COLOR: NATURAL, BLACK

PART NO	A	B	C	E	F	G	H	I	T CHASSIS THICKNESS	PACKAGE
DS-4RT	11.0	10.9	∅6.6	8.0	9.5	6.0	R0.4	2.9	0.7~0.8	1000

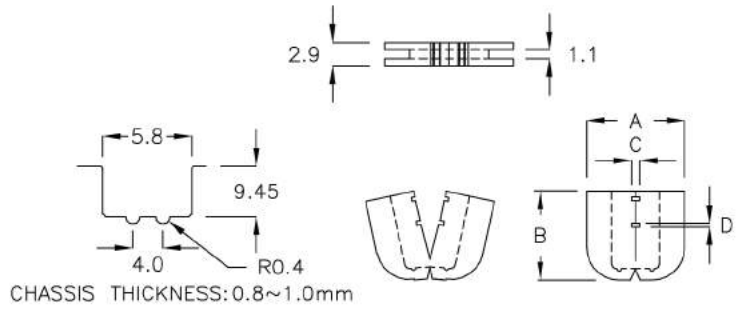
方型護線環 EDGE SADDLE



MATERIAL: NYLON 66(UL)
FLAME CLASS: 94V-2
COLOR: NATURAL, BLACK

PART NO	A	B	C	D	E	F	G	H	I	T CHASSIS THICKNESS	PACKAGE
DS-04K	12.0	10.9	2.3	4.55	6.05	9.45	4.0	R0.4	2.9	0.8~1.0	1000
DS-4WY	12.5	11.5	2.4	4.8	7.2	10.3	4.35	R0.3	2.5	0.5~0.6	
DS-4KJ	12.0	10.9	2.6	5.2	6.05	9.45	4.0	R0.4	2.9	0.8~1.0	

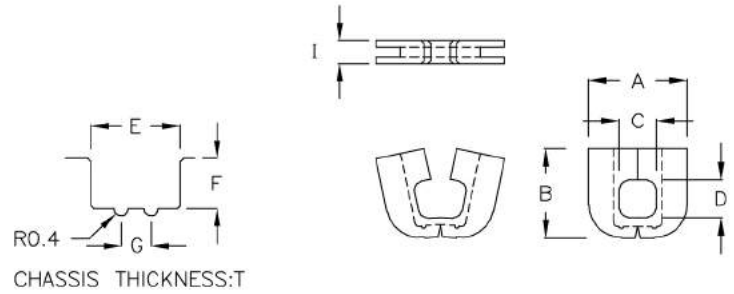
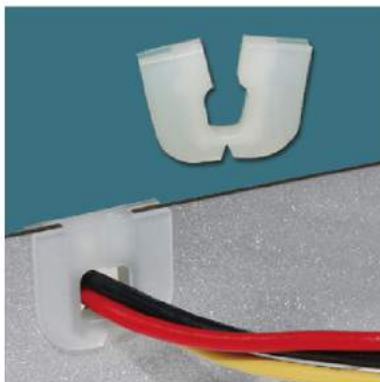
方型護線環 EDGE SADDLE



MATERIAL: NYLON 66(UL)
FLAME CLASS: 94V-2
COLOR: NATURAL, BLACK

PART NO	A	B	C	D	PACKAGE
DS-04P	12.0	10.9	1.0	0.5	1000

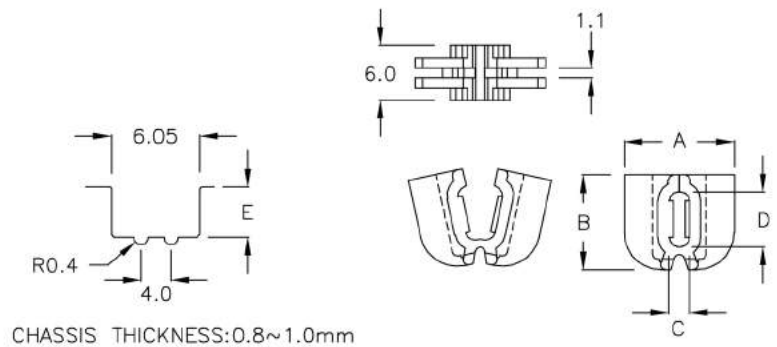
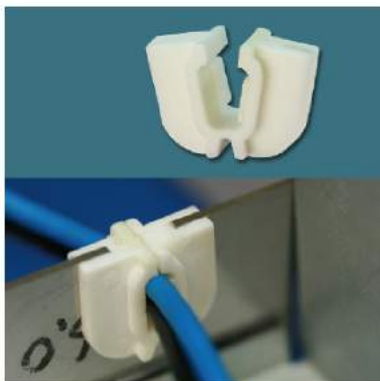
方型護線環 EDGE SADDLE



MATERIAL: NYLON 66(UL)
FLAME CLASS: 94V-2
COLOR: NATURAL, BLACK

PART NO	A	B	C	D	E	F	G	I	T CHASSIS THICKNESS	PACKAGE
DS-04Q	12.0	10.9	4.6	4.6	5.9	9.45	4.0	2.9	0.8~1.0	1000
DS-04F	12.0	10.9	4.6	7.0	6.0	9.45	4.0	2.9	0.8~1.0	
DS-04R	12.0	11.0	6.5	7.0	8.0	9.5	6.0	2.9	0.8~1.0	
DS-4FA	12.0	10.9	4.5	7.0	6.1	9.45	4.0	2.9	0.4~0.6	
DS-4GL	13.3	10.9	6.9	7.0	8.3	9.5	6.3	3.0	0.6~0.8	
DS-06	14.6	8.8	7.0	4.6	8.3	7.4	6.4	2.9	0.8~1.0	

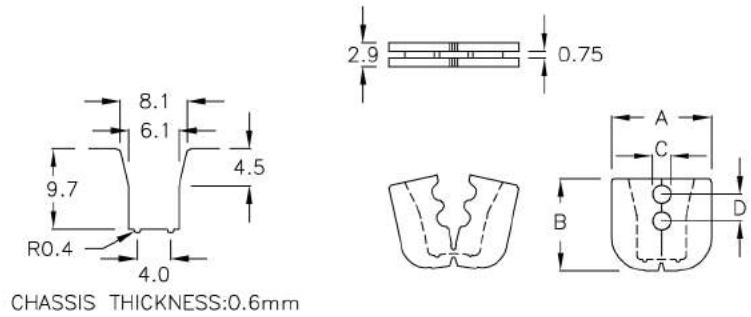
方型護線環 EDGE SADDLE



MATERIAL: NYLON 66(UL)
FLAME CLASS: 94V-2
COLOR: NATURAL, BLACK

PART NO	A	B	C	D	E	PACKAGE
DS-04H	12.0	10.4	2.3	6.0	9.45	1000
DS-04J	12.0	10.4	4.6	4.6	9.45	
DS-04L	12.0	10.4	2.3	4.7	9.45	

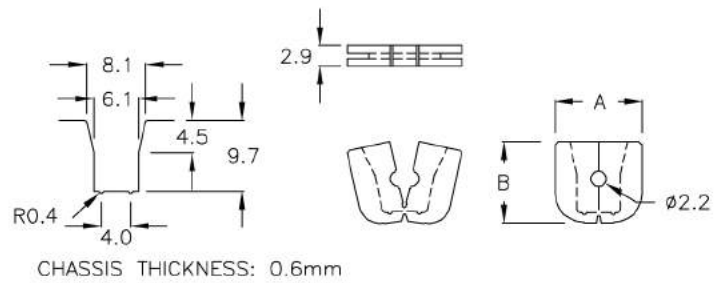
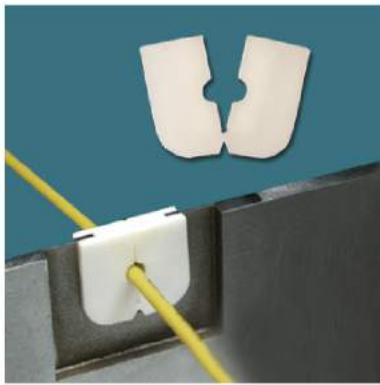
方型護線環 EDGE SADDLE



MATERIAL: NYLON 66(UL)
FLAME CLASS: 94V-2
COLOR: BLACK

PART NO	A	B	C	D	PACKAGE
DS-4AD	12.0	11.1	∅2.2	3.2	1000

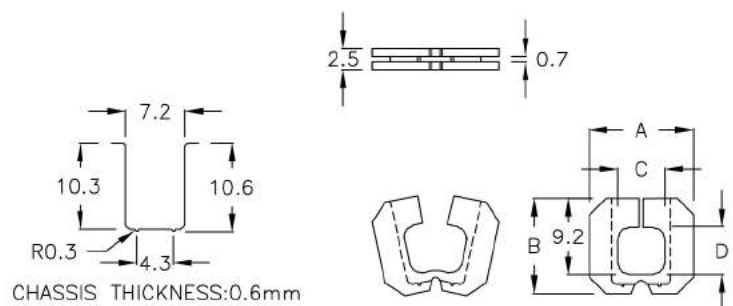
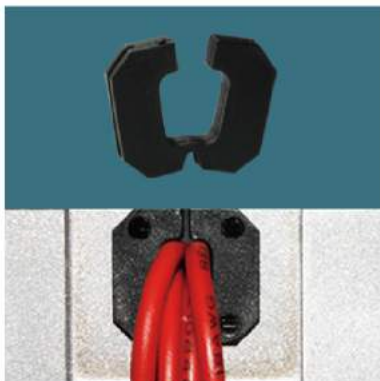
方型護線環 EDGE SADDLE



MATERIAL: NYLON 66(UL)
FLAME CLASS: 94V-2
COLOR: NATURAL,BLACK

PART NO	A	B	PACKAGE
DS-4MP	12.0	11.1	1000

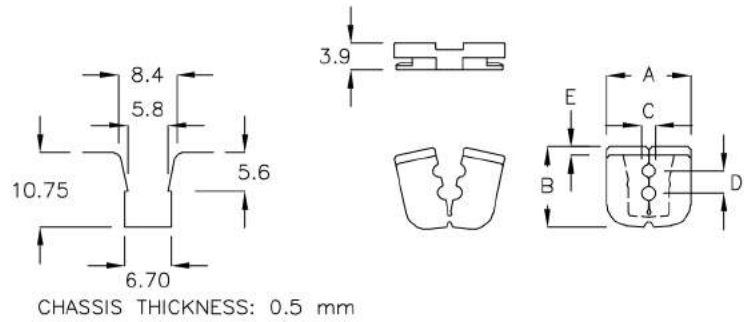
方型護線環 EDGE SADDLE



MATERIAL: NYLON 66(UL)
FLAME CLASS: 94V-2
COLOR: BLACK

PART NO	A	B	C	D	PACKAGE
DS-4CF	12.5	11.5	4.3	6.5	1000
DS-4DG	12.5	11.5	4.3	4.3	
DS-4HQ	12.5	11.5	4.3	2.15	

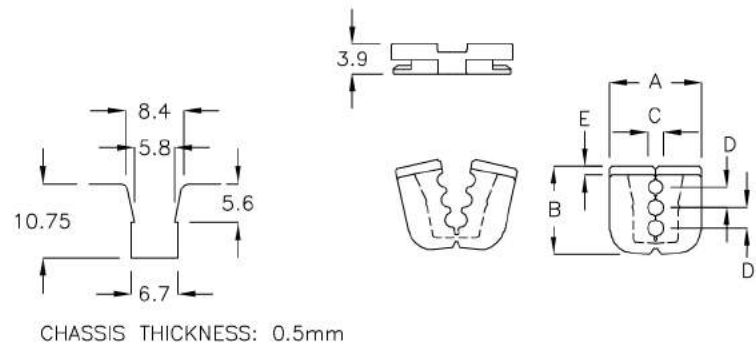
方型護線環 EDGE SADDLE



MATERIAL: NYLON 66(UL)
FLAME CLASS: 94V-2
COLOR: NATURAL, BLACK

PART NO	A	B	C	D	E	PACKAGE
DSH-12K	12.2	11.55	∅2.1	3.2	1.2	1000

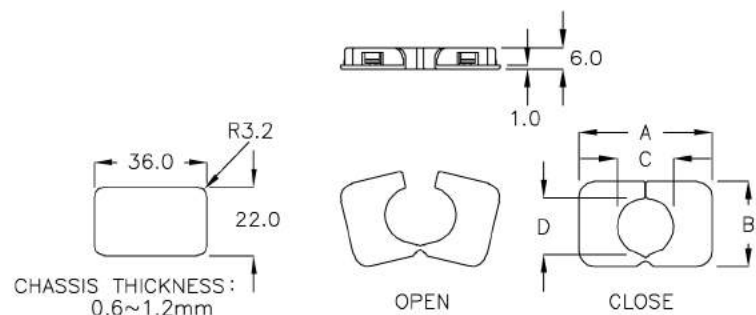
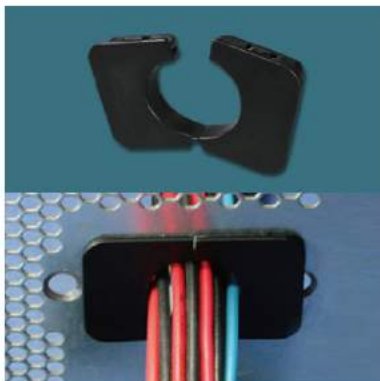
方型護線環 EDGE SADDLE



MATERIAL: NYLON 66(UL)
FLAME CLASS: 94V-2
COLOR: NATURAL, BLACK

PART NO	A	B	C	D	E	PACKAGE
DSH-12HM	12.2	11.55	∅2.1	2.6	1.2	1000

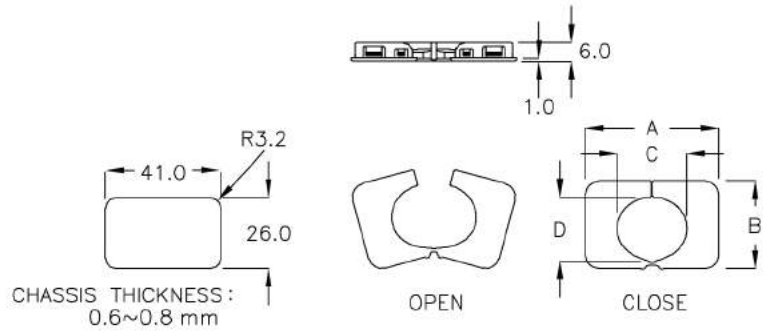
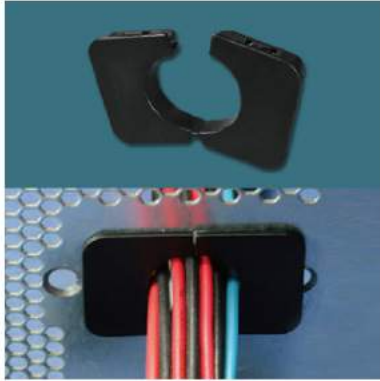
方型護線環 EDGE SADDLE



MATERIAL: NYLON 66(UL)
FLAME CLASS: 94V-2
COLOR: BLACK

PART NO	A	B	C	D	PACKAGE
SAQ-16	37.8	24.0	16.0	16.0	200

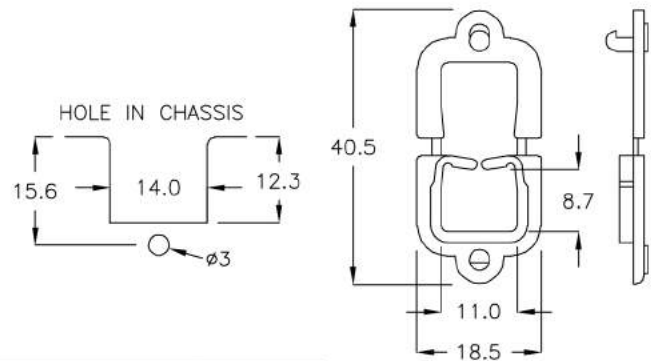
方型護線環 EDGE SADDLE



MATERIAL: NYLON 66(UL)
FLAME CLASS: 94V-2
COLOR: BLACK

PART NO	A	B	C	D	PACKAGE
SAQ-20A	42.8	28.0	22.0	20.0	200

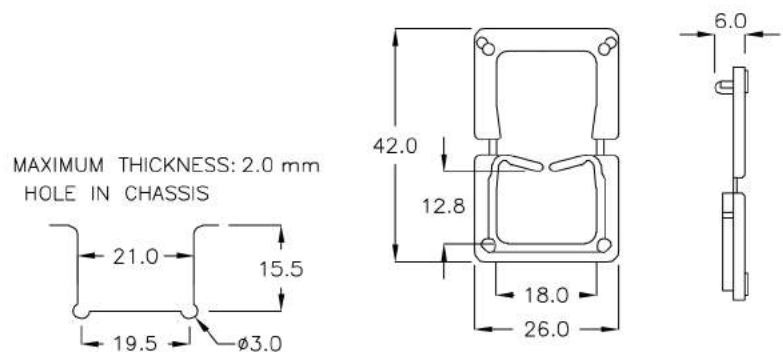
方型護線環 EDGE SADDLE



MATERIAL: NYLON 66(UL)
FLAME CLASS: 94V-2
COLOR: BLACK

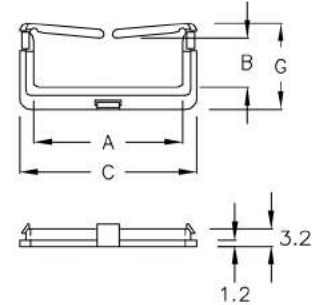
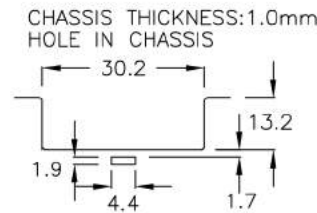
PART NO	MAX THICKNESS	PACKAGE
DS-10S	0.7	500
DS-10A	2.2	
DS-10	1.6	

方型護線環 EDGE SADDLE (DS-14)



MATERIAL: NYLON 66(UL)
FLAME CLASS: 94V-2
COLOR: BLACK
PACKAGE: 500

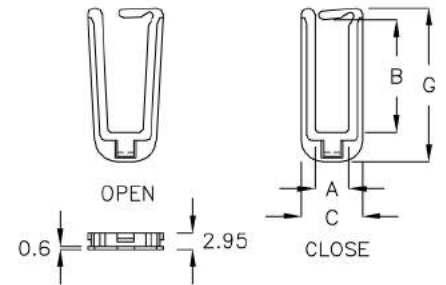
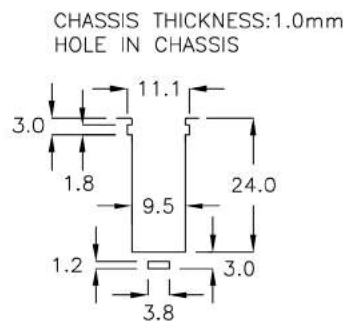
方型護線環 EDGE SADDLE



MATERIAL: NYLON 66(UL)
FLAME CLASS: 94V-2
COLOR: BLACK

PART NO	A	B	C	G	PACKAGE
DS-27	27.0	9.0	32.0	15.6	500

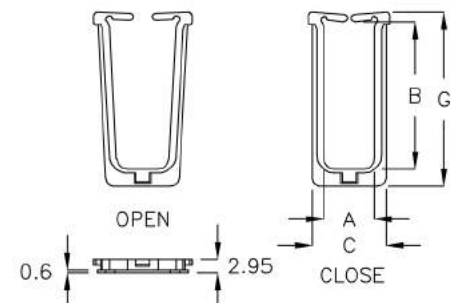
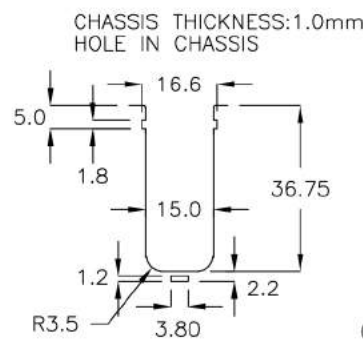
方型護線環 EDGE SADDLE



MATERIAL: NYLON 66(UL)
FLAME CLASS: 94V-2
COLOR: BLACK

PART NO	A	B	C	G	PACKAGE
DSC-6GM	6.3	20.0	11.1	27.8	500

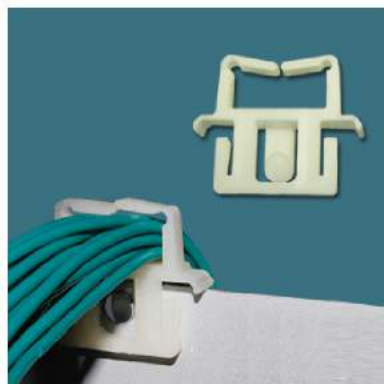
方型護線環 EDGE SADDLE



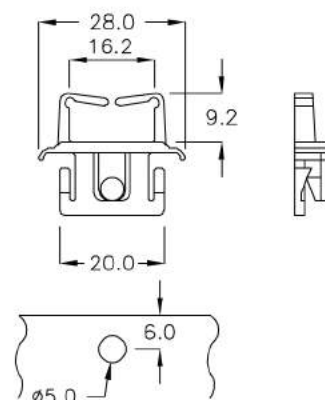
MATERIAL: NYLON 66(UL)
FLAME CLASS: 94V-2
COLOR: BLACK

PART NO	A	B	C	G	PACKAGE
DSC-12NT	11.8	32.7	16.4	38.7	500

方型護線環 EDGE SADDLE (CT-16)

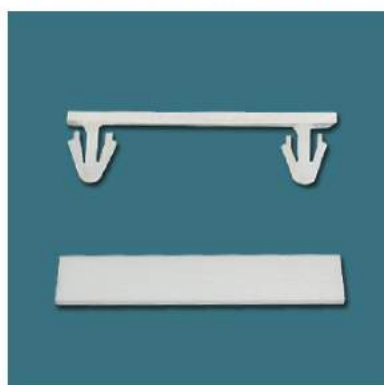


MATERIAL: NYLON 66(UL)
FLAME CLASS: 94V-2
COLOR: NATURAL
PACKAGE: 500

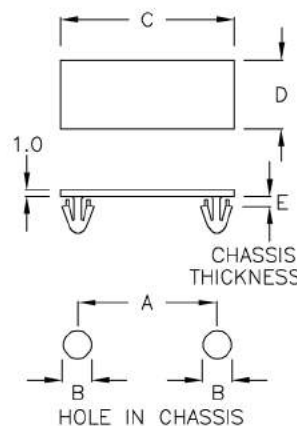


HOLE IN CHASSIS
 MAXIMUM THICKNESS: 2.0mm

保護蓋 HOLE PROTECT COVER



MATERIAL: NYLON 66(UL)
FLAME CLASS: 94V-2
COLOR: NATURAL

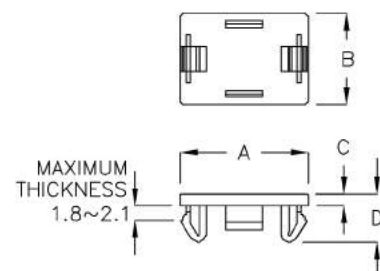


PART NO	A	B	C	D	E	PACKAGE
BH-8	20.0	∅3.2	25.0	10.0	1.0	1000
BH-9	34.0	∅3.5	46.0	12.0	0.8	
BH-10	25.0	∅3.1	35.0	16.0	1.6	
BH-10A	25.0	∅3.1	35.0	16.0	2.6	
BH-10C	32.0	∅3.2	42.0	16.0	3.6	
BH-51A	46.0	∅3.2	51.0	10.0	0.8	200

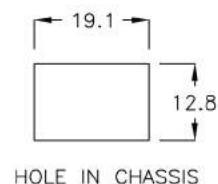
保護蓋 HOLE PROTECT COVER



MATERIAL: NYLON 66(UL)
FLAME CLASS: 94V-2
COLOR: BLACK



PART NO	A	B	C	D	PACKAGE
BHA-03	21.3	5.2	2.0	8.0	500



HOLE IN CHASSIS

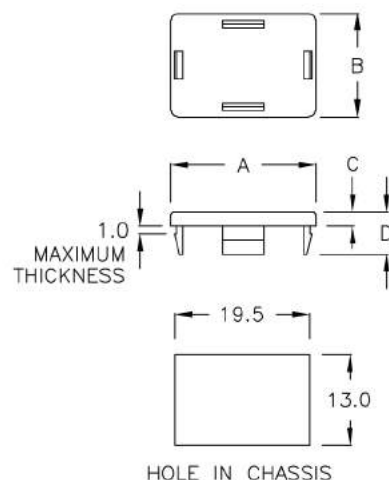
2-24-1

保護蓋 HOLE PROTECT COVER



MATERIAL: NYLON 66(UL)
FLAME CLASS: 94V-2
COLOR: BLACK

PART NO	A	B	C	D	PACKAGE
BHA-01	21.0	15.0	2.0	6.0	500



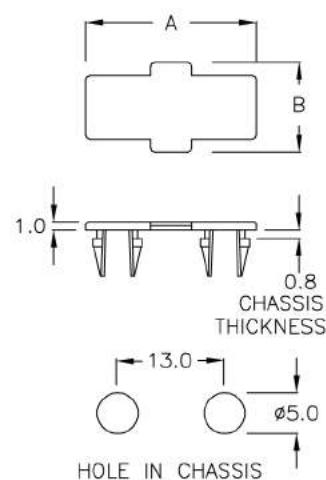
2-24-2

保護蓋 HOLE PROTECT COVER



MATERIAL: NYLON 66(UL)
FLAME CLASS: 94V-2
COLOR: NATURAL

PART NO	A	B	PACKAGE
BH-011	20.5	10.7	1000



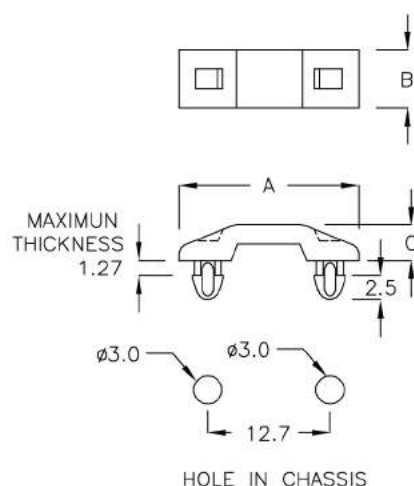
2-24-3

保護蓋 HOLE PROTECT COVER



MATERIAL: NYLON 66(UL)
FLAME CLASS: 94V-2
COLOR: BLACK,NATURAL

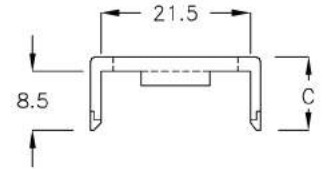
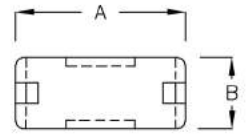
PART NO	A	B	C	PACKAGE
BH-019	18.7	6.0	3.7	1000



端子保護蓋 CONNECTOR COVER



MATERIAL: NYLON 66(UL)
FLAME CLASS: 94V-2
COLOR: NATURAL

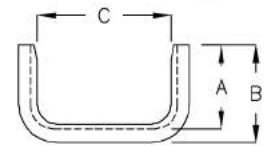
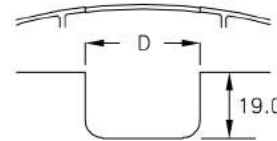
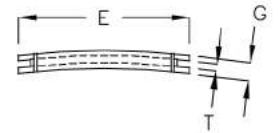


PART NO	A	B	C	PACKAGE
BH-012	24.5	10.2	10.5	500

護線套 EDGING



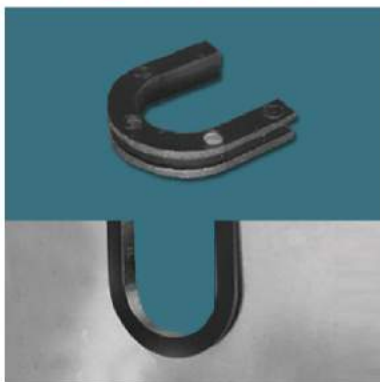
MATERIAL: NYLON 66(UL)
FLAME CLASS: 94V-2
COLOR: BLACK



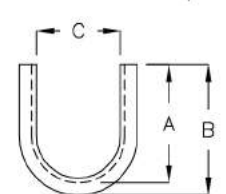
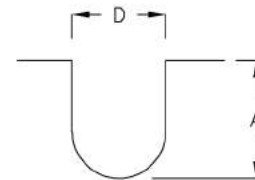
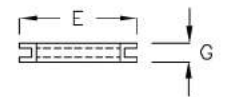
HOLE IN CHASSIS
 T:CHASSIS THICKNESS

PART NO	A	B	C	D	E	T	G	PACKAGE
DDS-04	18.6	21.7	29.5	33.0	37.9	1.3	4.0	500

護線套 EDGING



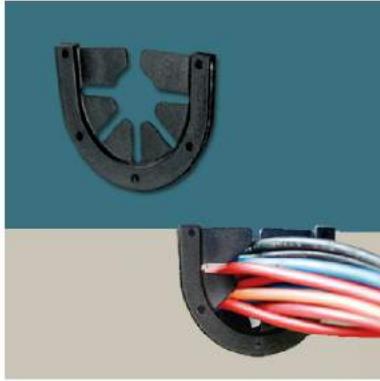
MATERIAL: NYLON 66(UL)
FLAME CLASS: 94V-2
COLOR: BLACK



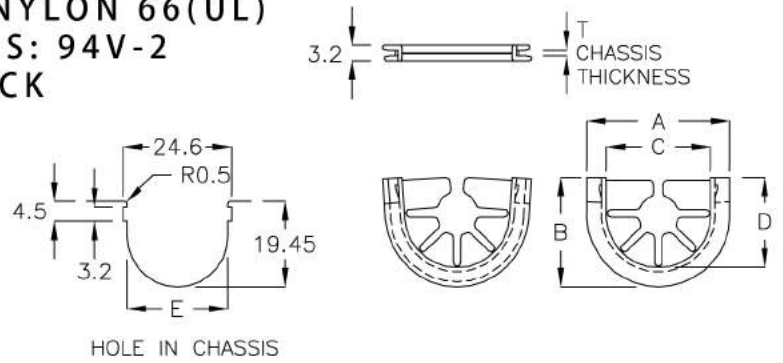
HOLE IN CHASSIS
 T:CHASSIS THICKNESS

PART NO	A	B	C	D	E	T	G	PACKAGE
UST-01	24.3	26.8	17.2	19.2	24.2	1.6	3.85	500
UST-02	18.0	21.0	16.0	18.0	24.0	1.7	3.8	
UST-03	27.9	29.7	16.0	17.8	21.4	0.8	3.0	
UST-04	14.0	16.0	10.0	12.0	16.0	1.3	3.4	
UST-05	25.7	27.5	16.0	17.8	21.4	1.0	3.0	
UST-06	34.0	36.5	21.3	26.0	31.3	1.6	3.8	
UST-07	34.2	36.8	21.3	26.1	31.3	2.0	4.3	
UST-08	26.5	29.5	20.7	22.0	28.3	1.8	4.0	
UST-12	18.0	21.0	16.0	18.0	24.0	1.0	3.3	

護線套 EDGING



MATERIAL: NYLON 66(UL)
FLAME CLASS: 94V-2
COLOR: BLACK

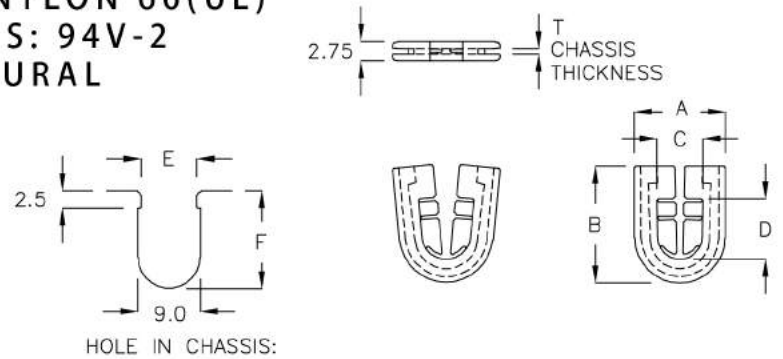


PART NO	A	B	C	D	E	T CHASSIS THICKNESS	PACKAGE
USK-21A	29.0	22.1	21.2	18.0	23.0	1.0	500

方型護線環 EDGE SADDLE

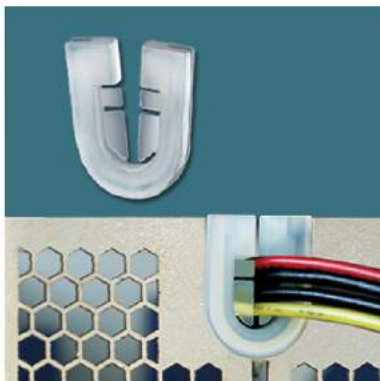


MATERIAL: NYLON 66(UL)
FLAME CLASS: 94V-2
COLOR: NATURAL

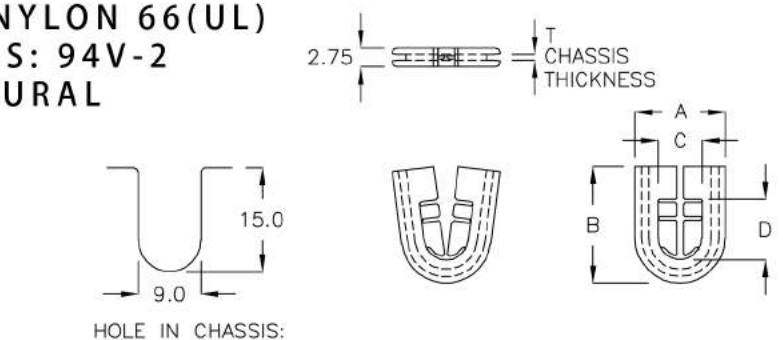


PART NO	A	B	C	D	E	F	T CHASSIS THICKNESS	PACKAGE
USM-6KP	13.0	16.8	6.4	8.7	8.0	15.0	0.6	1000

方型護線環 EDGE SADDLE



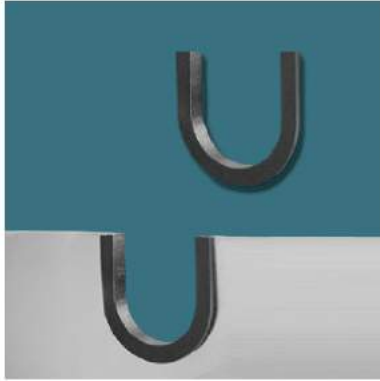
MATERIAL: NYLON 66(UL)
FLAME CLASS: 94V-2
COLOR: NATURAL



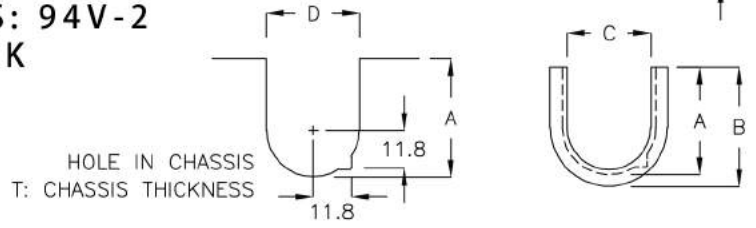
PART NO	A	B	C	D	T CHASSIS THICKNESS	PACKAGE
USM-6M	13.0	16.8	6.4	8.7	0.6	1000

2-27-1

護線套 EDGING



MATERIAL: NYLON 66(UL)
FLAME CLASS: 94V-2
COLOR: BLACK



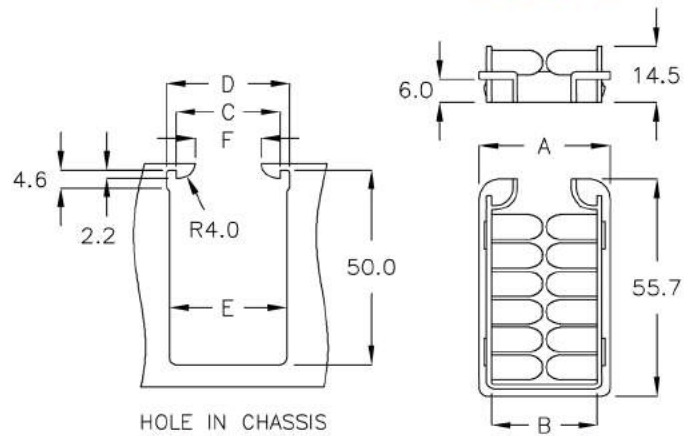
PART NO	A	B	C	D	E	T	G	PACKAGE
UST-27Q	29.2	31.7	27.4	29.4	35.1	0.8	3.0	500

2-27-2

方型護線環 EDGE SADDLE



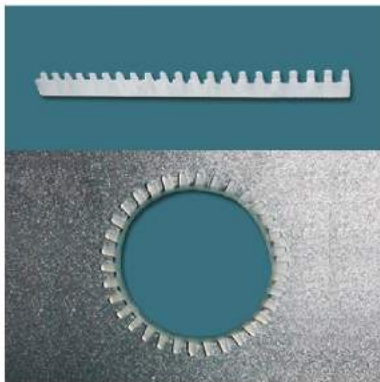
MATERIAL: NYLON 66(UL)
FLAME CLASS: 94V-2
COLOR: BLACK



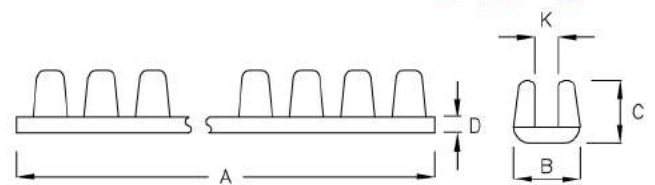
PART NO	A	B	C	D	E	F	T CHASSIS THICKNESS	PACKAGE
USC-27KH	33.6	27.2	26.8	31.6	30.0	17.0	0.8~1.6	100
USC-37FG	43.6	37.2	36.8	41.6	40.0	29.2	0.8~1.6	

2-27-3

活動護線套 MOVABLE BUSHING



MATERIAL: NYLON 66(UL)
FLAME CLASS: 94V-2
COLOR: NATURAL

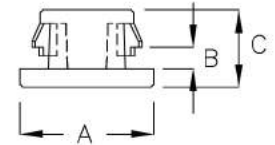
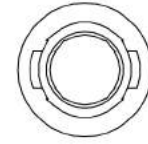


PART NO	A	B	C	D	K	SUITABLE THICKNESS	PACKAGE
US-12.31	31.2	3.2	4.0	1.2	1.1	1.2	2000
US-116.7	66.5	3.7	3.9	1.0	1.1	1.2	
US-127.9	79.0	3.2	4.3	1.2	1.2	1.3	
US-2010	100.0	4.4	4.3	1.3	1.9	2.0	1000
US-0725	255.0	3.2	4.6	1.8	0.6	0.7	
US-0926	260.0	3.1	3.8	0.9	0.9	1.0	
US-1125	256.0	3.4	4.4	1.6	1.0	1.1	
US-1126	265.0	3.5	4.4	1.6	1.0	1.1	
US-1225	255.0	3.2	4.2	1.4	1.2	1.3	
US-1317	176.0	3.7	4.3	1.3	1.4	1.5	
US-1325	256.0	3.7	4.3	1.3	1.4	1.5	500
US-1725	256.0	4.2	4.4	1.4	1.6	1.7	
US-2025	256.0	4.4	4.3	1.4	2.0	2.1	
US-2425	256.0	5.2	4.6	1.7	2.3	2.4	
US-3025	255.0	5.8	4.5	1.3	3.1	3.2	
US-3525	256.0	6.2	5.5	2.3	3.5	3.6	200

塞環 HOLE PLUG

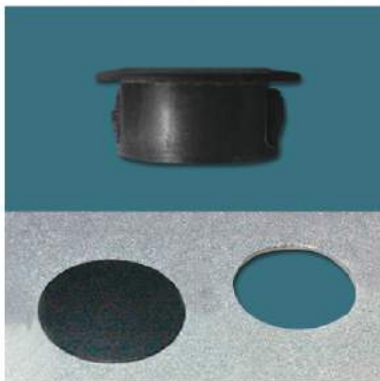


MATERIAL: NYLON 66(UL)
FLAME CLASS: 94V-2
COLOR: BLACK

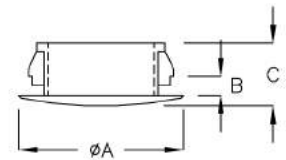
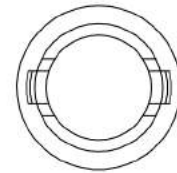


PART NO	CHASSIS THICKNESS	HOLE IN CHASSIS	A	B	C	PACKAGE
M-8A	1.6	ø8.5	ø11.5	1.8	6.6	1000

塞環 HOLE PLUG

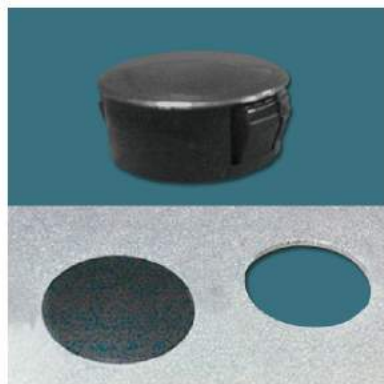


MATERIAL: NYLON 66(UL)
FLAME CLASS: 94V-2
COLOR: BLACK

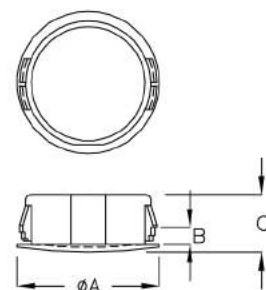


PART NO	MAXIMUM THICKNESS	HOLE IN CHASSIS	A	B	C	PACKAGE
M-3K	1.6	ø3.0~ø3.1	5.2	1.65	4.3	2000
M-3LM	1.6	ø3.4~ø3.6	5.6	1.8	4.3	
M-4DR	1.6	ø3.9~ø4.1	5.8	1.65	5.0	
M-4MF	1.6	ø4.4~ø4.6	6.0	1.65	5.0	
M-4	1.6	ø4.7~ø4.9	6.0	1.8	5.2	
M-5	1.0	ø4.95~ø5.0	7.5	1.3	5.7	
M-6	1.6	ø6.3~ø6.5	7.6	1.8	5.6	
M-6A	1.6	ø6.2~ø6.5	8.0	1.85	8.0	1000
M-7	1.6	ø7.0~ø7.1	11.0	1.9	7.0	
M-8	1.6	ø7.6~ø8.0	9.5	1.8	6.0	
M-9	1.2	ø9.5~ø9.6	13.0	2.0	6.5	
M-10	1.4	ø9.6~ø10.0	13.0	1.8	6.0	
M-11A	1.4	ø11.45~ø11.55	18.6	2.0	7.0	
M-11DC	0.8	ø11.2~ø11.25	15.0	1.35	6.9	
M-13	2.1	ø12.7~ø13.0	17.0	2.3	8.0	500
M-16	2.0	ø15.9~ø16.0	20.0	2.3	7.7	

塞環 HOLE PLUG

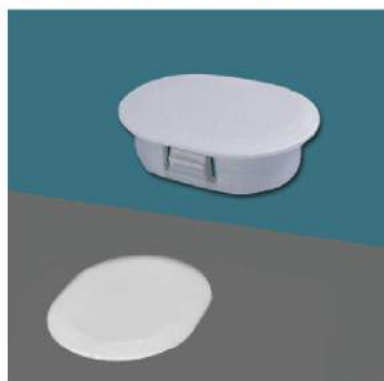


MATERIAL: NYLON 66(UL)
FLAME CLASS: 94V-2
COLOR: BLACK

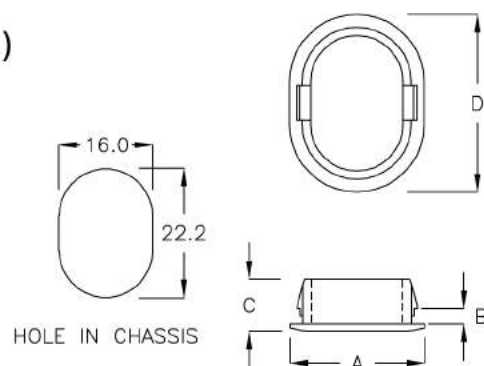


PART NO	MAXIMUM THICKNESS	HOLE IN CHASSIS	A	B	C	PACKAGE
M-15	1.6	ø15.0~ø15.1	16.8	1.8	7.0	500
M-19	3.2	ø18.9~ø19.0	23.5	3.5	10.5	
M-22	3.0	ø21.9~ø22.0	26.0	3.4	9.6	
M-22C	3.5	ø21.9~ø22.0	25.8	3.7	11.7	200
M-25	3.2	ø25.4~ø25.6	28.0	4.0	12.7	
M-28A	3.5	ø28.3~ø28.4	32.0	3.9	13.1	
M-30	3.2	ø30.5~ø30.6	34.0	4.0	13.0	
M-32	2.2	ø32.0~ø32.1	35.7	2.6	13.0	

塞環 HOLE PLUG

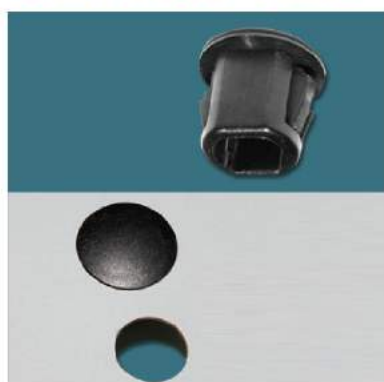


MATERIAL: NYLON 66(UL)
FLAME CLASS: 94V-2
COLOR: NATURAL, BLACK

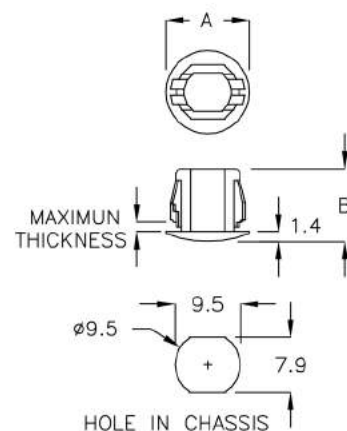


PART NO	MAXIMUM THICKNESS	A	B	C	D	PACKAGE
M-22A	2.0	19.4	2.2	7.5	25.6	200

塞頭 HOLE PLUG



MATERIAL: NYLON 66(UL)
FLAME CLASS: 94V-2
COLOR: BLACK



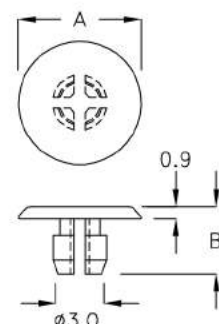
PART NO	MAXIMUM THICKNESS	A	B	PACKAGE
MU-9JP	3.4	ø12.0	10.5	1000

2-30-1



保護蓋 HOLE PROTECTOR
MATERIAL: NYLON 66(UL)
FLAME CLASS: 94V-2
COLOR: BLACK

PART NO	A	B	PACKAGE
MBF-01	ø8.9	4.9	1000



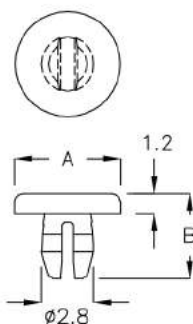
HOLE IN CHASSIS
 MAXIMUM THICKNESS: 1.1mm

2-30-2



塞頭 HOLE PLUG
MATERIAL: NYLON 66(UL)
FLAME CLASS: 94V-2
COLOR: NATURAL

PART NO	A	B	PACKAGE
MHG-1A	ø6.2	5.0	2000



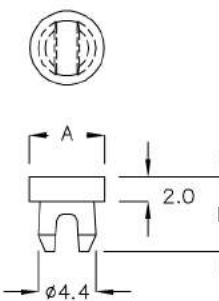
HOLE IN CHASSIS
 CHASSIS THICKNESS: >4.0mm

2-30-3



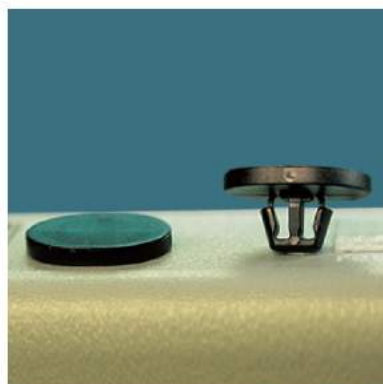
塞頭 HOLE PLUG
MATERIAL: NYLON 66(UL)
FLAME CLASS: 94V-2
COLOR: BLACK

PART NO	A	B	PACKAGE
MHG-02	ø6.0	6.0	2000



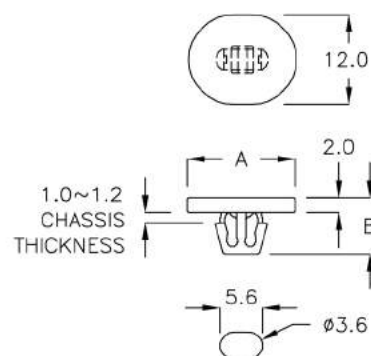
HOLE IN CHASSIS
 CHASSIS THICKNESS: >1.6mm

2-30-4



塞頭 HOLE PLUG
MATERIAL: NYLON 66(UL)
FLAME CLASS: 94V-2
COLOR: BLACK

PART NO	A	B	PACKAGE
MMD-01	14.4	7.5	1000



HOLE IN CHASSIS

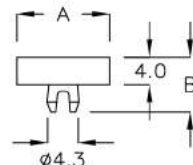
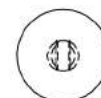
2-31-1



塞頭 HOLE PLUG

MATERIAL: NYLON 66(UL)
FLAME CLASS: 94V-2
COLOR: BLACK

PART NO	A	B	PACKAGE
MHG-04	ø13.4	7.9	2000



HOLE IN CHASSIS
CHASSIS THICKNESS: >4.0mm

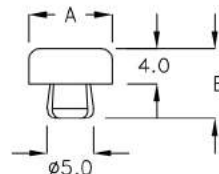
2-31-2



塞頭 HOLE PLUG

MATERIAL: NYLON 66(UL)
FLAME CLASS: 94V-2
COLOR: NATURAL

PART NO	A	B	PACKAGE
MHG-4A	ø9.5	8.0	2000



HOLE IN CHASSIS
CHASSIS THICKNESS: >4.0mm

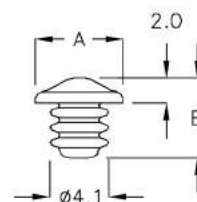
2-31-3



塞頭 HOLE PLUG

MATERIAL: SILICONE
COLOR: NATURAL

PART NO	A	B	PACKAGE
SRR-6A	ø7.0	6.4	2000



HOLE IN CHASSIS
CHASSIS THICKNESS: >4.0mm

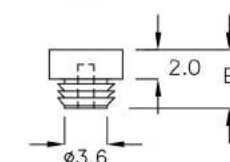
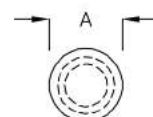
2-31-4



塞頭 HOLE PLUG

MATERIAL: TPE
COLOR: BLACK

PART NO	A	B	PACKAGE
MPL-05	ø5.0	4.0	2000



HOLE IN CHASSIS:
CHASSIS THICKNESS: >2.0mm

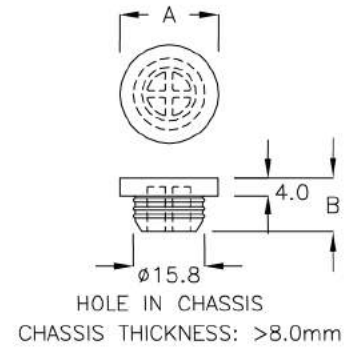
2-32-1



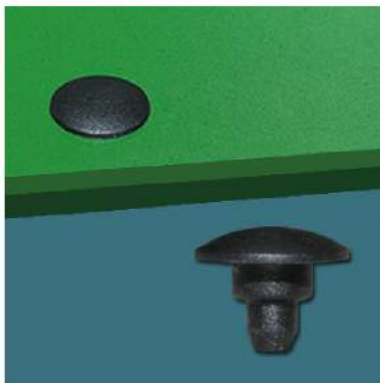
塞頭 HOLE PLUG

MATERIAL: TPE(UL)
FLAME CLASS: 94V-0
COLOR: BLACK

PART NO	A	B	PACKAGE
MPL-21Q	ø21.8	12.0	100



2-32-2

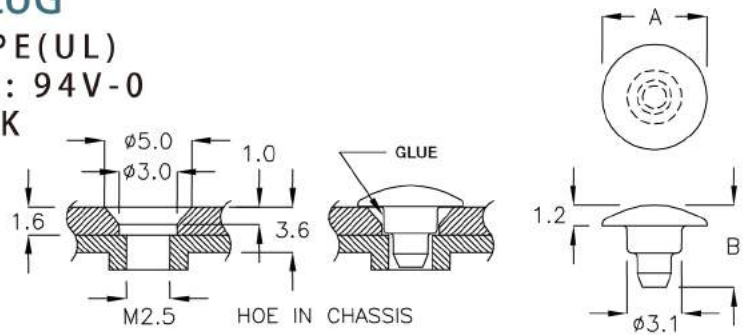


塞頭 HOLE PLUG

MATERIAL: TPE(UL)
FLAME CLASS: 94V-0
COLOR: BLACK

NEW

PART NO	A	B	PACKAGE
★ MPZ-6Q	ø6.0	4.7	2000



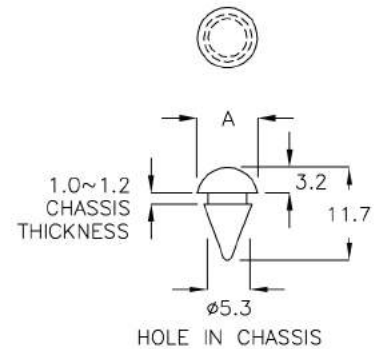
2-32-3



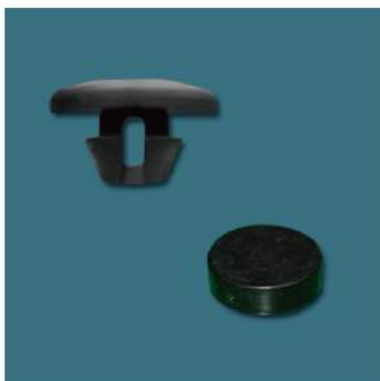
塞頭 HOLE PLUG

MATERIAL: SILICONE
COLOR: BLACK

PART NO	A	PACKAGE
MHG-5F	ø7.7	1000



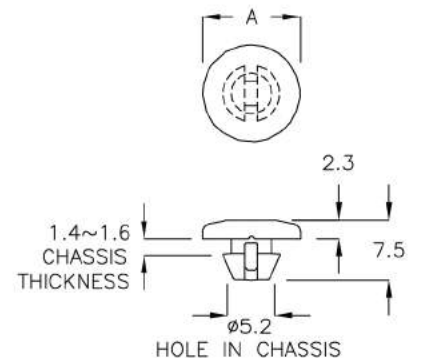
2-32-4



塞頭 HOLE PLUG

MATERIAL: TPE
COLOR: BLACK

PART NO	A	PACKAGE
MAF-4D	ø12.0	1000

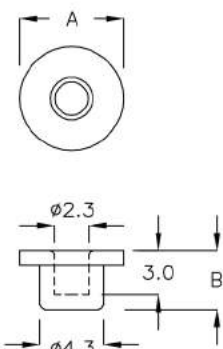


2-33-1



固定座 MOUNT
 MATERIAL: SILICONE
 COLOR: BLACK

PART NO	A	B	PACKAGE
MMQ-01	ø7.0	4.0	2000

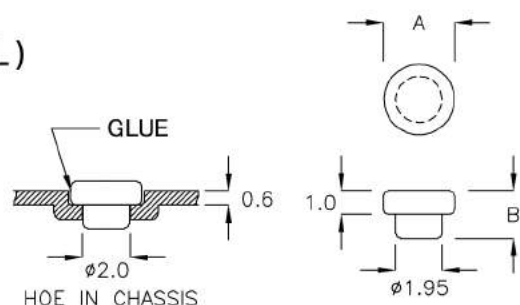


2-33-2



固定座 MOUNT
 MATERIAL: NYLON 66(UL)
 FLAME CLASS: 94V-2
 COLOR: NATURAL

PART NO	A	B	PACKAGE
MMQ-02	ø3.0	2.0	2000

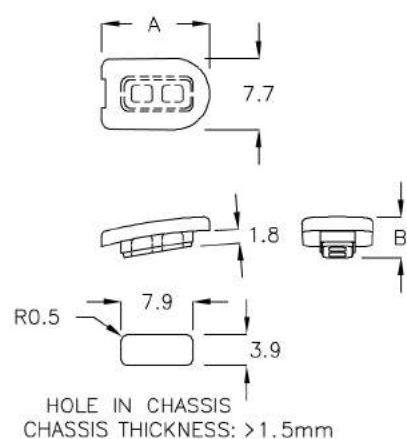


2-33-3



塞頭 HOLE PLUG
 MATERIAL: TPE
 COLOR: BLACK

PART NO	A	B	PACKAGE
MXR-7BK	11.75	4.4	1000

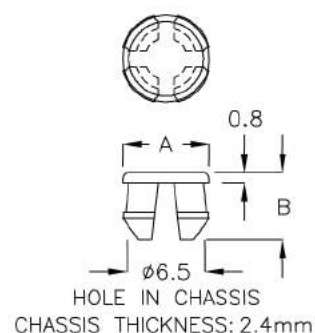


2-33-4



塞頭 HOLE PLUG
 MATERIAL: NYLON 66(UL)
 FLAME CLASS: 94V-2
 COLOR: BLACK

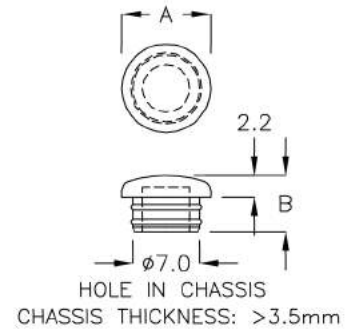
PART NO	A	B	PACKAGE
MBF-6A	ø7.0	5.4	2000



ANT3 RFID 塞頭 ANT3 RFID HOLE PLUG

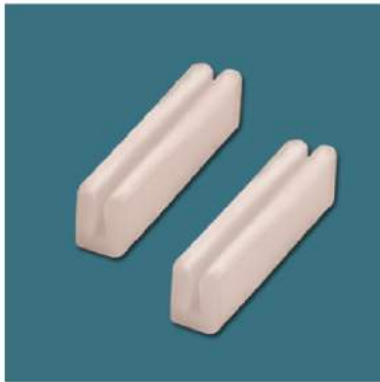


MATERIAL: TPE
COLOR: BLACK

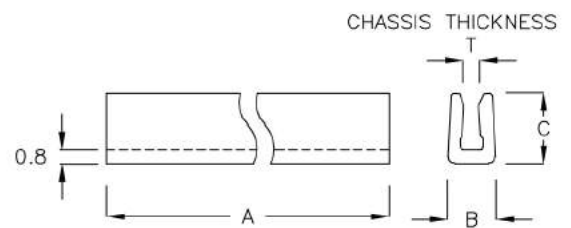


PART NO	A	B	PACKAGE
MPL-9A	∅9.0	5.7	2000

護板套 EDGING

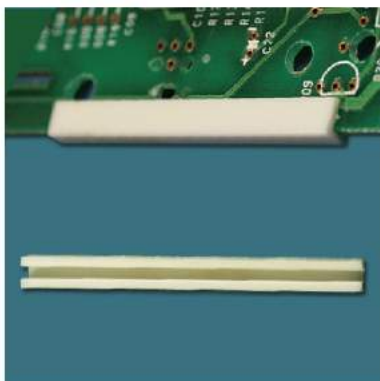


MATERIAL: NYLON 66(UL)
FLAME CLASS: 94V-2
COLOR: NATURAL

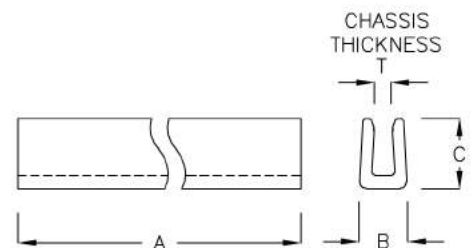


PART NO	A	B	C	T	PACKAGE
VTU-14	14.0	2.4	3.2	0.8	1000
VTU-20DM	20.0	2.8	5.5	1.0	

護板套 EDGING

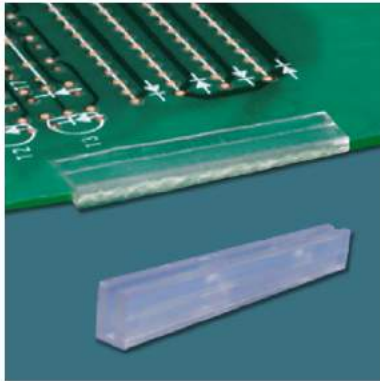


MATERIAL: NYLON 66(UL)
FLAME CLASS: 94V-2
COLOR: NATURAL

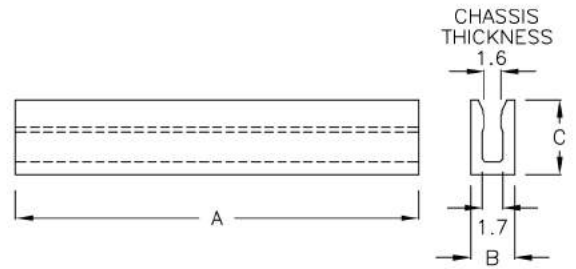


PART NO	A	B	C	T	CHASSIS THICKNESS	PACKAGE
VTU-20A	20.0	4.8	5.0	2.5	1000	
VTU-30C	30.0	4.4	5.0	1.6		
VTU-47	47.0	4.4	5.0	1.6		

護板套 EDGING

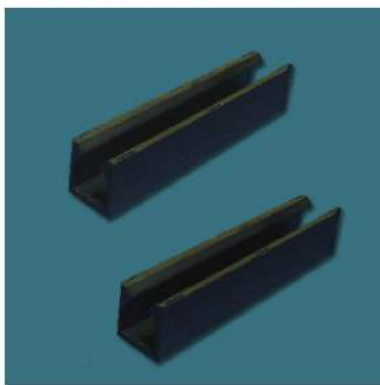


MATERIAL: PC(UL)
FLAME CLASS: 94V-2
COLOR: NATURAL

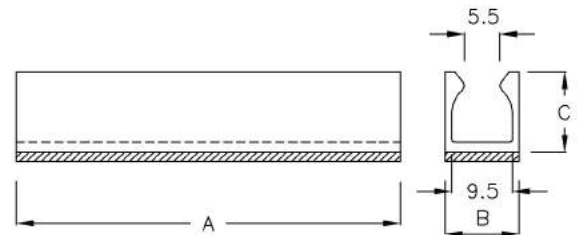


PART NO	A	B	C	PACKAGE
UTU-30	30.0	3.6	6.0	1000
UTU-60	60.0	3.6	6.0	500
UTU-60A	59.0	5.5	8.0	
UTU120	120.0	5.5	8.0	100

護線套 EDGING

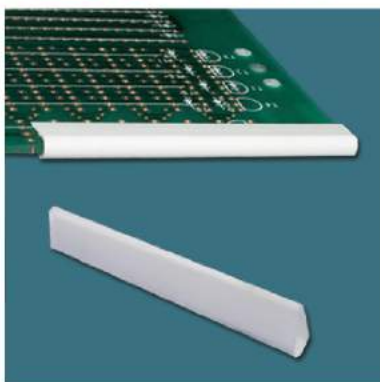


MATERIAL: NYLON 66(UL)
FLAME CLASS: 94V-2
COLOR: BLACK
ADHESIVE TAPE: 3M

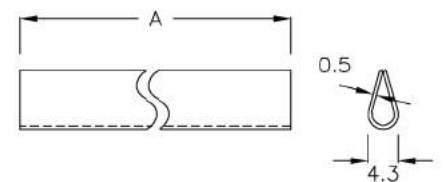


PART NO	A	B	C	PACKAGE
UTU-60C	60.0	11.5	12.5	100

V型套管 V TUBE



MATERIAL: ABS
FLAME CLASS: 94V-0
COLOR: NATURAL



PART NO	A	CHASSIS THICKNESS	PACKAGE
VTU-180	180.0	0.3~1.0	200

A DIMENSION IS ACCORDING TO CUSTOMER'S REQUEST

3

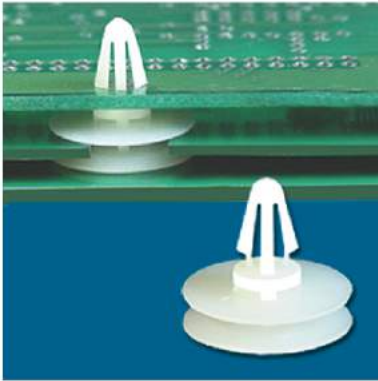


P.C.板間隔柱
SPACER SUPPORT

P.C.板間隔柱 SPACER SUPPORT

PINGOOD

3-2-1

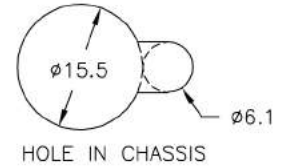
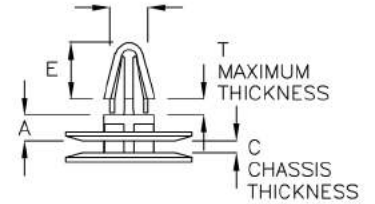


P.C.板間隔柱 SPACER SUPPORT

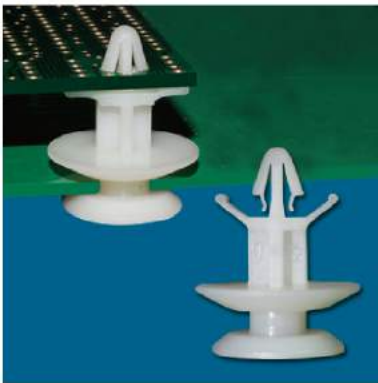
MATERIAL: NYLON 66(UL)
FLAME CLASS: 94V-2
COLOR: NATURAL

PART NO	A	T MAXIMUM THICKNESS	C CHASSIS THICKNESS	E	PACKAGE
LSA-2A	3.0	1.6	1.2	6.8	500

HOLE IN P.C.B.: $\phi 4.0$



3-2-2

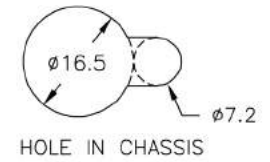
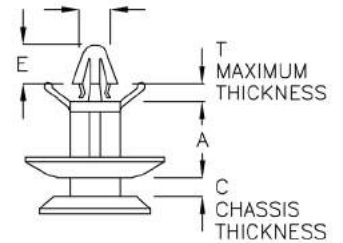


P.C.板間隔柱 SPACER SUPPORT

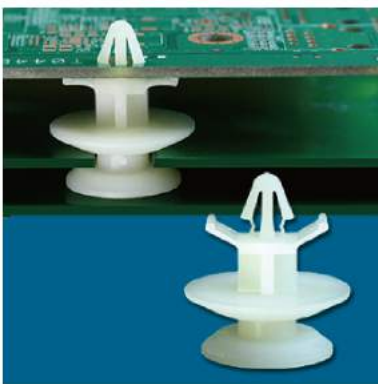
MATERIAL: NYLON 66(UL)
FLAME CLASS: 94V-2
COLOR: NATURAL

PART NO	A	T MAXIMUM THICKNESS	C CHASSIS THICKNESS	E	PACKAGE
LSD-9B	8.6	4.0	2.5	5.8	500
LSD-11A	11.1	2.0	2.5	5.8	
LSD-12	12.1	1.6	2.5	5.8	
LSD-12A	12.1	2.0	2.5	5.8	
LSD-14	14.0	1.6	2.5	5.8	

HOLE IN P.C.B.: $\phi 4.5$



3-2-3

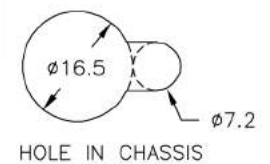
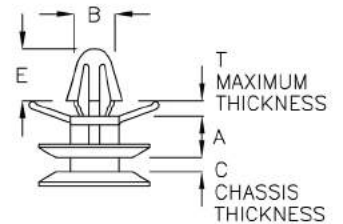


P.C.板間隔柱 SPACER SUPPORT

MATERIAL: NYLON 66(UL)
FLAME CLASS: 94V-2
COLOR: NATURAL

PART NO	A	B	T MAXIMUM THICKNESS	C CHASSIS THICKNESS	E	PACKAGE
LSD-4A	4.5	$\phi 4.5$	2.0	2.5	5.8	500
LSD-6	6.0	$\phi 6.0$	1.6	1.8	7.6	
LSD-9A	9.5	$\phi 4.5$	1.6	1.8	5.8	
LSD-9C	8.6	$\phi 6.0$	1.6	1.8	7.6	
LSD-13A	13.3	$\phi 6.0$	1.6	1.8	7.6	

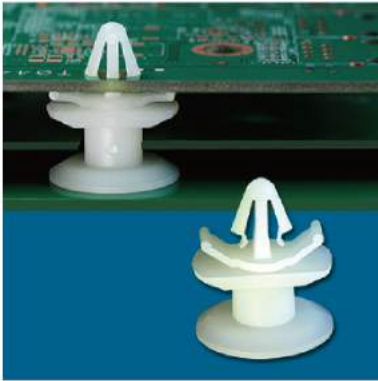
HOLE IN P.C.B.



P.C.板間隔柱 SPACER SUPPORT

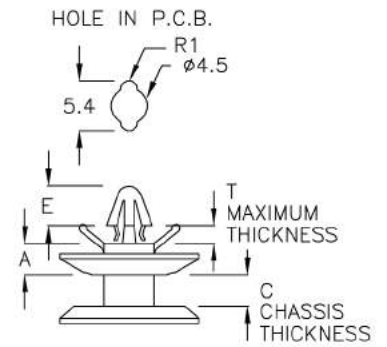
PINGOOD

3-3-1

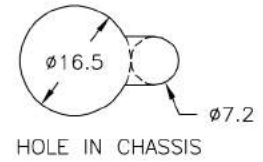


P.C.板間隔柱 SPACER SUPPORT

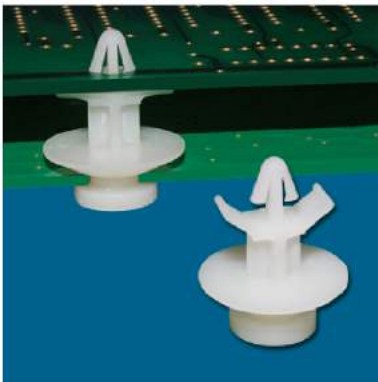
MATERIAL: NYLON 66(UL)
FLAME CLASS: 94V-2
COLOR: NATURAL



PART NO	A	T MAXIMUM THICKNESS	C CHASSIS THICKNESS	E	PACKAGE
LSD-8	3.3	2.0	2.5	6.5	500
LSD-8C	3.2	2.0	5.0	6.5	

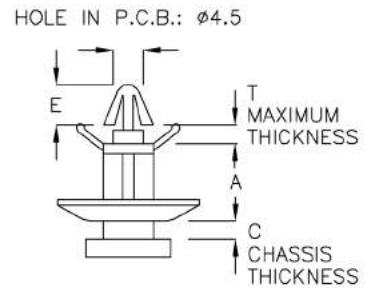


3-3-2

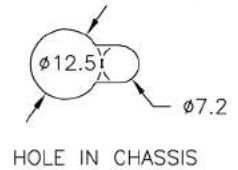


P.C.板間隔柱 SPACER SUPPORT

MATERIAL: NYLON 66(UL)
FLAME CLASS: 94V-2
COLOR: NATURAL



PART NO	A	T MAXIMUM THICKNESS	C CHASSIS THICKNESS	E	PACKAGE
LSD-11	11.0	2.0	2.2	5.8	500

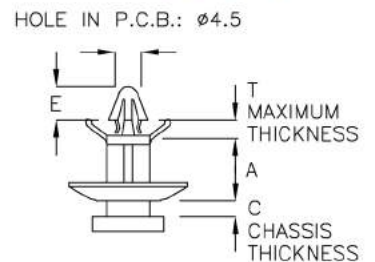


3-3-3

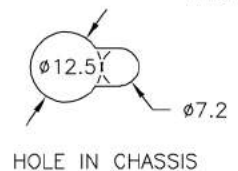


P.C.板間隔柱 SPACER SUPPORT

MATERIAL: NYLON 66(UL)
FLAME CLASS: 94V-2
COLOR: NATURAL



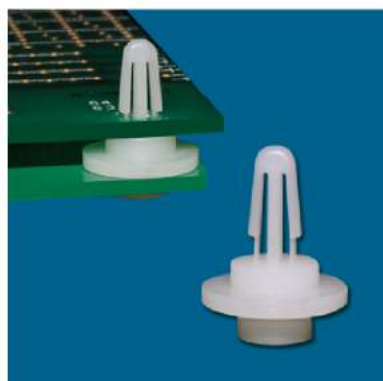
PART NO	A	T MAXIMUM THICKNESS	C CHASSIS THICKNESS	E	PACKAGE
LSD-11C	11.0	2.0	2.1	5.8	500



P.C.板間隔柱 SPACER SUPPORT

PINGOOD

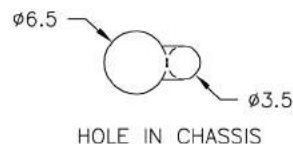
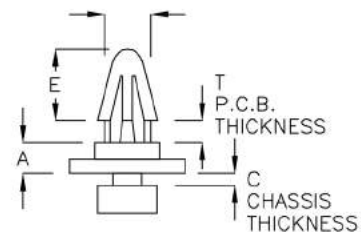
3-4-1



P.C.板間隔柱 SPACER SUPPORT

MATERIAL: NYLON 66(UL)
FLAME CLASS: 94V-2
COLOR: NATURAL

HOLE IN P.C.B.: $\phi 3.4$



PART NO	A	T P.C.B. THICKNESS	C CHASSIS THICKNESS	E	PACKAGE
ACBS-3C	3.5	1.4~1.8	0.8~1.0	7.1	1000

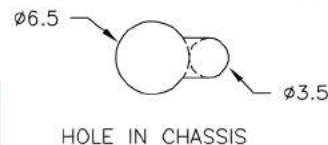
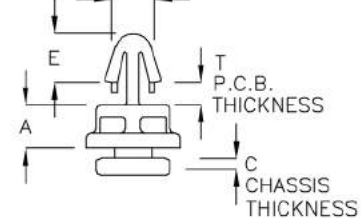
3-4-2



P.C.板間隔柱 SPACER SUPPORT

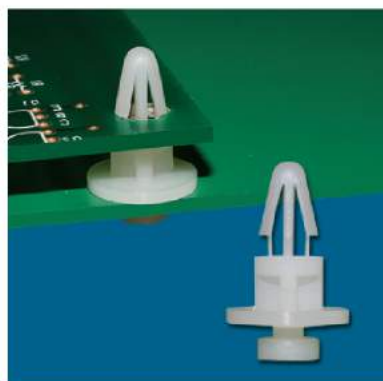
MATERIAL: NYLON 66(UL)
FLAME CLASS: 94V-2
COLOR: NATURAL

HOLE IN P.C.B.: $\phi 3.4$



PART NO	A	T P.C.B. THICKNESS	C CHASSIS THICKNESS	E	PACKAGE
ACMS-3RK	3.5	1.6	0.6	4.0	1000

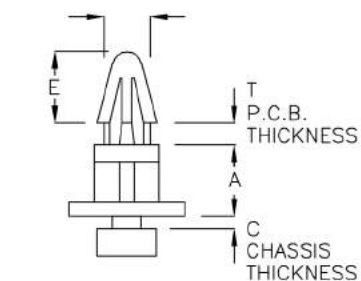
3-4-3



P.C.板間隔柱 SPACER SUPPORT

MATERIAL: NYLON 66(UL)
FLAME CLASS: 94V-2
COLOR: NATURAL

HOLE IN P.C.B.: $\phi 4.0$

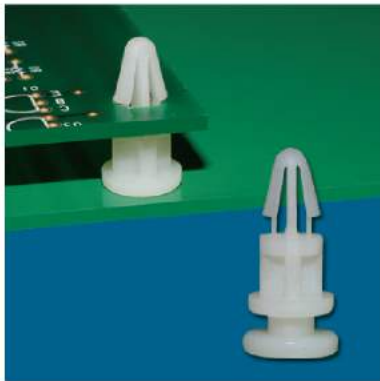


PART NO	A	T P.C.B. THICKNESS	C CHASSIS THICKNESS	E	PACKAGE
ACBS-2	2.5	1.4~1.7	0.8~1.4	7.1	1000
ACBS-3A	3.5	1.4~1.7	0.8~1.0	7.1	
ACBS-5	5.0	1.2~1.7	0.8~1.4	7.1	
ACBS-6	6.5	1.2~1.7	0.8~1.2	7.3	
ACBS-6B	6.35	1.4~1.9	0.8~1.4	7.1	
ACBS-6C	6.35	1.4~2.0	0.8~1.4	7.2	
ACBS-6M	6.85	1.2~1.6	0.5~0.8	7.0	
ACBS-8	8.0	1.4~1.8	0.8~1.4	7.1	
ACBS-10	10.0	1.4~1.8	0.8~1.5	7.1	
ACBS-12	12.7	1.4~1.8	1.0~1.6	7.1	

P.C.板間隔柱 SPACER SUPPORT

PINGOOD

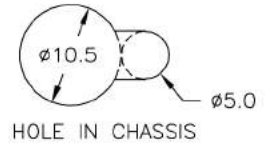
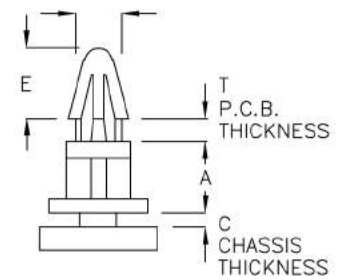
—3-5-1—



P.C.板間隔柱 SPACER SUPPORT

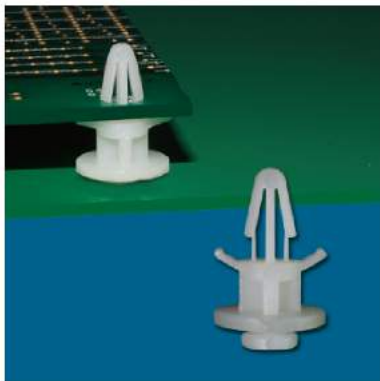
MATERIAL: NYLON 66(UL)
FLAME CLASS: 94V-2
COLOR: NATURAL

HOLE IN P.C.B.: $\phi 4.0$



PART NO	A	T P.C.B. THICKNESS	C CHASSIS THICKNESS	E	PACKAGE
ACBS-8A	8.0	1.4~1.9	1.6~2.2	7.1	1000

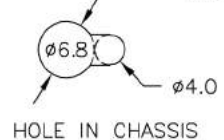
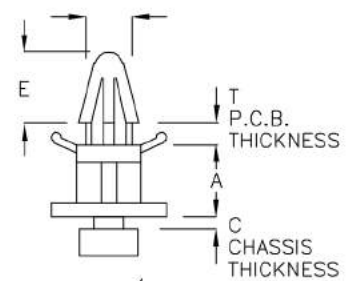
—3-5-2—



P.C.板間隔柱 SPACER SUPPORT

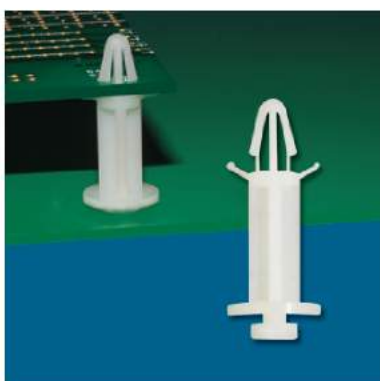
MATERIAL: NYLON 66(UL)
FLAME CLASS: 94V-2
COLOR: NATURAL

HOLE IN P.C.B.: $\phi 4.0$



PART NO	A	T P.C.B. THICKNESS	C CHASSIS THICKNESS	E	PACKAGE
ACBS-6K	6.5	1.8~2.3	0.6~0.8	7.1	1000

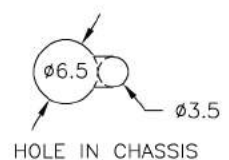
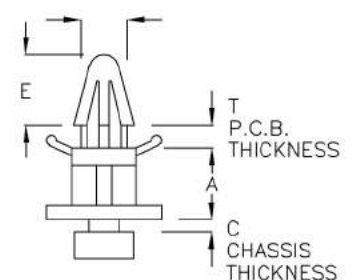
—3-5-3—



P.C.板間隔柱 SPACER SUPPORT

MATERIAL: NYLON 66(UL)
FLAME CLASS: 94V-2
COLOR: NATURAL

HOLE IN P.C.B.: $\phi 4.0$

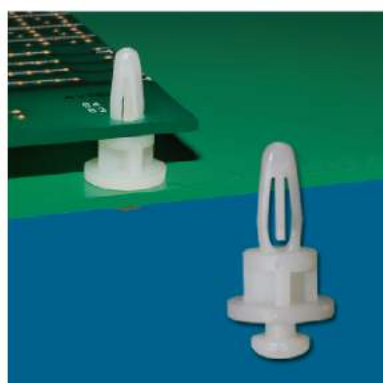


PART NO	A	T P.C.B. THICKNESS	C CHASSIS THICKNESS	E	PACKAGE
ACBS-6T	6.4	1.5~2.3	0.8~1.5	7.1	1000
ACBS-17T	17.0	1.4~1.8	0.6~0.8	7.1	500
ACBS-74T	74.0	1.4~1.6	1.0~1.2	7.3	200

P.C.板間隔柱 SPACER SUPPORT

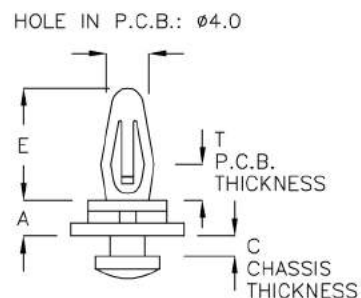
PINGOOD

3-6-1

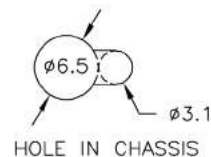


P.C.板間隔柱 SPACER SUPPORT

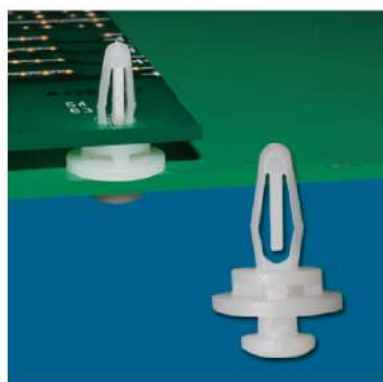
MATERIAL: NYLON 66(UL)
FLAME CLASS: 94V-2
COLOR: NATURAL



PART NO	A	T P.C.B. THICKNESS	C CHASSIS THICKNESS	E	PACKAGE
AC-003	3.2	1.6	1.0~1.7	10.2	1000
AC-006	6.4	1.6	1.0~1.7	10.2	

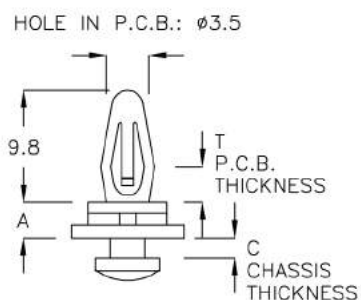


3-6-2

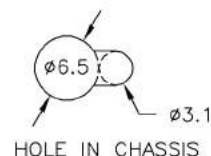


P.C.板間隔柱 SPACER SUPPORT

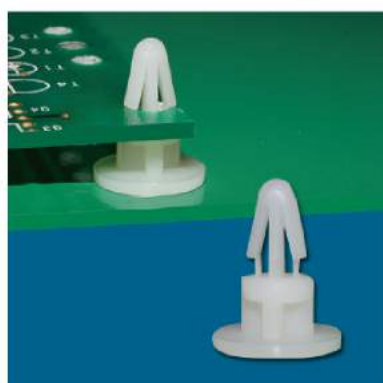
MATERIAL: NYLON 66(UL)
FLAME CLASS: 94V-2
COLOR: NATURAL



PART NO	A	T P.C.B. THICKNESS	C CHASSIS THICKNESS	PACKAGE
AF-003	3.2	1.6	1.0~1.7	1000

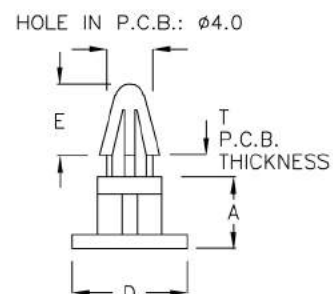


3-6-3



P.C.板間隔柱 SPACER SUPPORT

MATERIAL: NYLON 66(UL)
FLAME CLASS: 94V-2
COLOR: NATURAL

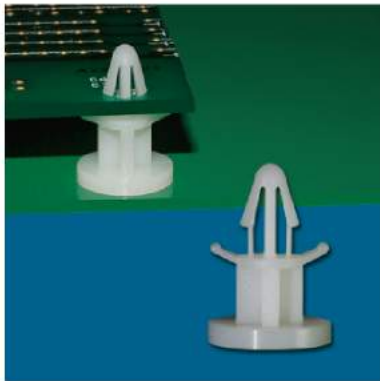


PART NO	A	T P.C.B. THICKNESS	D	E	PACKAGE
ACBS-6Y	6.4	1.2~1.6	$\phi 11.8$	7.2	1000
ACBS-8X	8.0	1.2~1.7	$\phi 15.0$	7.2	
ACBS-8Y	8.0	1.2~1.7	$\phi 11.6$	7.2	
ACBS-8K	8.0	1.2~1.7	$\phi 18.0$	7.1	500
ACT-17	17.0	1.4~1.8	$\phi 11.3$	7.0	

P.C.板間隔柱 SPACER SUPPORT

PINGOOD

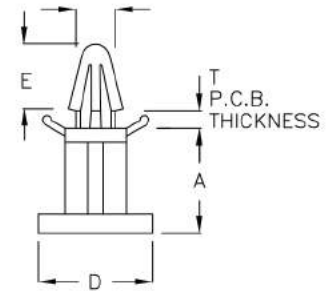
3-7-1



P.C.板間隔柱 SPACER SUPPORT

MATERIAL: NYLON 66(UL)
FLAME CLASS: 94V-2
COLOR: NATURAL

HOLE IN P.C.B.: $\phi 4.0$



PART NO	A	T P.C.B. THICKNESS	D	E	PACKAGE
ACBS-8D	8.0	1.2~1.6	$\phi 12.0$	7.5	1000
ACBS-9K	8.5	1.6~2.2	$\phi 12.0$	6.0	
ACBS-9Y	9.0	1.2~1.6	$\phi 12.0$	7.1	
ACBS-10Y	10.0	1.2~1.6	$\phi 12.0$	7.1	
ACBS-11Y	11.0	1.2~1.6	$\phi 12.0$	7.1	

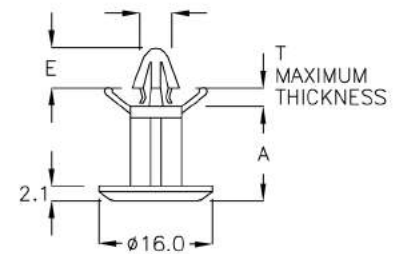
3-7-2



P.C.板間隔柱 SPACER SUPPORT

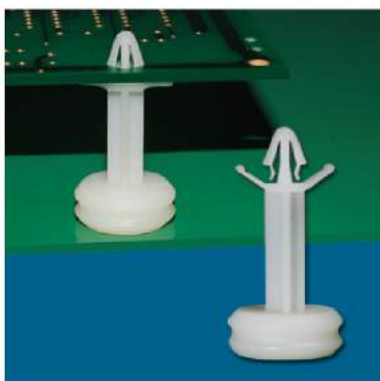
MATERIAL: NYLON 66(UL)
FLAME CLASS: 94V-2
COLOR: NATURAL

HOLE IN P.C.B.: $\phi 4.5$



PART NO	A	T MAXIMUM THICKNESS	E	PACKAGE
LSD-13	13.3	2.0	5.8	500

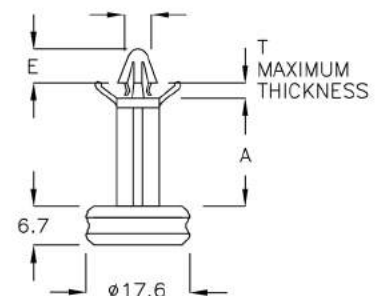
3-7-3



P.C.板間隔柱 SPACER SUPPORT

MATERIAL: NYLON 66(UL)
FLAME CLASS: 94V-2
COLOR: NATURAL

HOLE IN P.C.B.: $\phi 4.5$



PART NO	A	T MAXIMUM THICKNESS	E	PACKAGE
LSD-21	19.0	2.0	5.8	200

P.C.板間隔柱 SPACER SUPPORT

PINGOOD

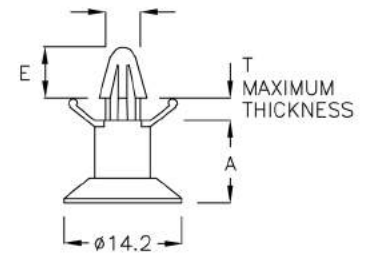
3-8-1



P.C.板間隔柱 SPACER SUPPORT

MATERIAL: NYLON 66(UL)
FLAME CLASS: 94V-2
COLOR: NATURAL

HOLE IN P.C.B.: $\phi 4.0$



PART NO	A	T MAXIMUM THICKNESS	E	PACKAGE
LTD-10	9.9	2.0	5.4	500

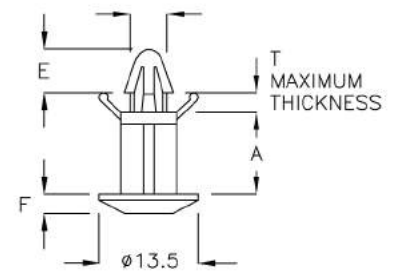
3-8-2



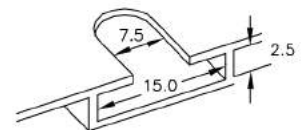
P.C.板間隔柱 SPACER SUPPORT

MATERIAL: NYLON 66(UL)
FLAME CLASS: 94V-2
COLOR: NATURAL

HOLE IN P.C.B.: $\phi 4.5$



PART NO	A	T MAXIMUM THICKNESS	E	F	PACKAGE
LTD-11	11.0	2.0	5.8	2.0	500
LTD-14	14.0	2.0	5.8	2.0	



HOLE IN CHASSIS

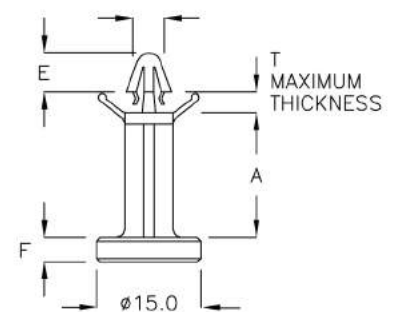
3-8-3



P.C.板間隔柱 SPACER SUPPORT

MATERIAL: NYLON 66(UL)
FLAME CLASS: 94V-2
COLOR: NATURAL

HOLE IN P.C.B.: $\phi 4.5$



PART NO	A	T MAXIMUM THICKNESS	E	F	PACKAGE
LTD-18	18.0	1.8	5.8	3.5	500
LTD-18A	18.0	1.8	5.8	3.0	

P.C.板間隔柱 SPACER SUPPORT

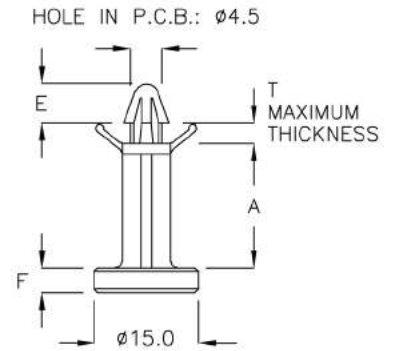
PINGOOD

3-9-1



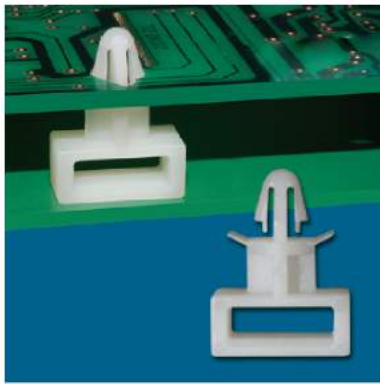
P.C.板間隔柱 SPACER SUPPORT

MATERIAL: NYLON 66(UL)
FLAME CLASS: 94V-2
COLOR: NATURAL



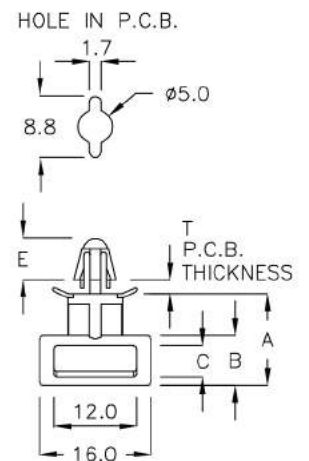
PART NO	A	T MAXIMUM THICKNESS	E	F	PACKAGE
LTD-18C	18.0	1.7	6.0	3.0	500

3-9-2



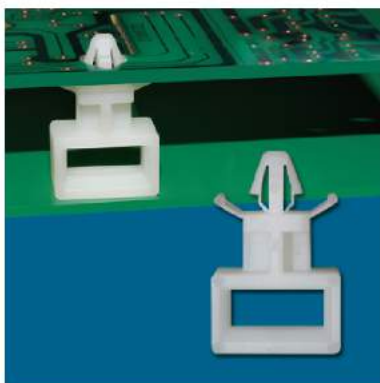
P.C.板間隔柱 SPACER SUPPORT

MATERIAL: NYLON 66(UL)
FLAME CLASS: 94V-2
COLOR: NATURAL



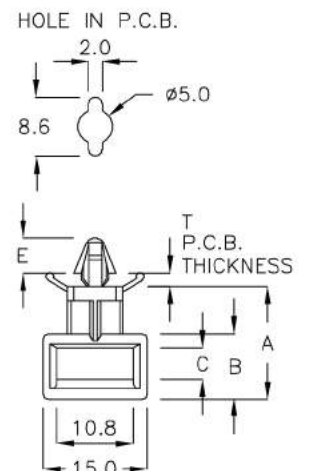
PART NO	A	B	C	T P.C.B. THICKNESS	E	PACKAGE
LTX-13	13.2	7.2	3.7	1.6	6.0	1000

3-9-3



P.C.板間隔柱 SPACER SUPPORT

MATERIAL: NYLON 66(UL)
FLAME CLASS: 94V-2
COLOR: NATURAL

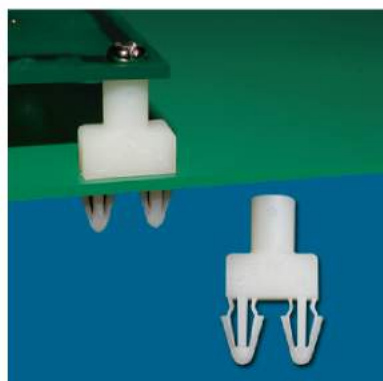


PART NO	A	B	C	T P.C.B. THICKNESS	E	PACKAGE
LTX-16A	16.2	9.4	4.5	1.6	5.0	500

P.C.板間隔柱 SPACER SUPPORT

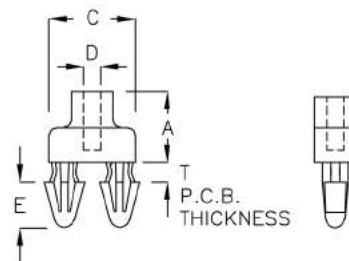
PINGOOD

3-10-1

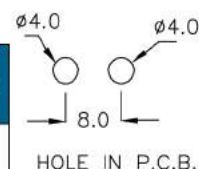


P.C.板間隔柱 SPACER SUPPORT

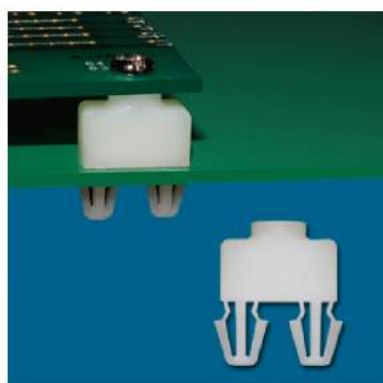
MATERIAL: NYLON 66(UL)
FLAME CLASS: 94V-2
COLOR: NATURAL



PART NO	A	T P.C.B. THICKNESS	C	D TAPPING SCREW	E	PACKAGE
TAA-01	13.8	2.0	12.5	M3X8	6.7	500
TAA-03	21.0	1.6	12.5	M3X8	6.7	
TAA-04	15.0	2.0	12.5	M3X8	6.7	
TAA-05	5.0	1.6	12.5	M3X4	6.7	
TAA-06	14.1	2.5	12.5	M3X8	6.7	

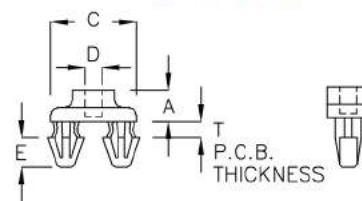


3-10-2

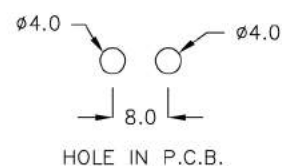


P.C.板間隔柱 SPACER SUPPORT

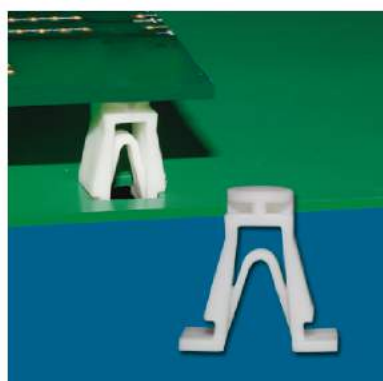
MATERIAL: NYLON 66(UL)
FLAME CLASS: 94V-2
COLOR: NATURAL



PART NO	A	T P.C.B. THICKNESS	C	D TAPPING SCREW	E	PACKAGE
TAA-07	4.5	2.0	12.5	M3X4	4.3	500
TAA-4A	8.5	1.6	12.5	M3X6	4.8	

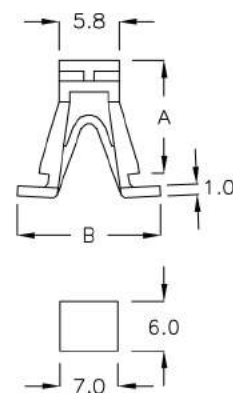


3-10-3



P.C.板間隔柱 SPACER SUPPORT

MATERIAL: NYLON 66(UL)
FLAME CLASS: 94V-0
COLOR: NATURAL



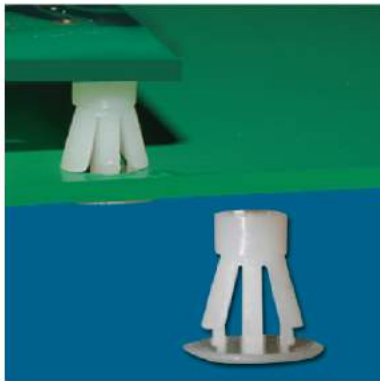
PART NO	A	B	PACKAGE
FK-011	11.0	13.0	1000

HOLE IN CHASSIS
CHASSIS THICKNESS: 1.0mm

P.C.板間隔柱 SPACER SUPPORT

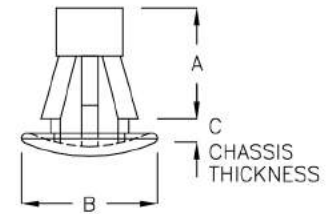
PINGOOD

3-11-1



P.C.板間隔柱 SPACER SUPPORT

MATERIAL: NYLON 66(UL)
 FLAME CLASS: 94V-2
 COLOR: NATURAL
 HOLE IN CHASSIS: $\Phi 5.5$



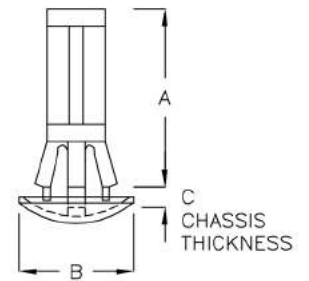
PART NO	A	B	C CHASSIS THICKNESS	PACKAGE
FCB-4M	4.5	$\phi 9.8$	0.8~1.2	1000
FCB-5	5.0	$\phi 11.5$	1.4~2.0	
FCB-6	6.35	$\phi 10.4$	1.0~2.0	
FCB-6A	6.35	$\phi 10.0$	1.5~2.3	
FCB-7	7.0	$\phi 10.4$	1.3~1.9	
FCB-8	8.0	$\phi 9.8$	1.0~1.4	
FCB-10	10.0	$\phi 9.8$	1.0~1.4	
FCB-10A	10.0	$\phi 11.5$	1.4~2.0	
FCB-12	12.7	$\phi 9.8$	1.0~1.4	
FCB-12A	12.7	$\phi 9.9$	1.2~2.2	
FCB-14	13.9	$\phi 9.9$	1.5~2.0	500
FCB-15	15.7	$\phi 9.8$	1.6~2.2	

3-11-2



P.C.板間隔柱 SPACER SUPPORT

MATERIAL: NYLON 66(UL)
 FLAME CLASS: 94V-2
 COLOR: NATURAL
 HOLE IN CHASSIS: $\Phi 5.5$



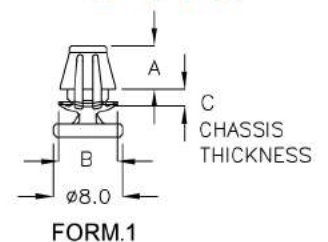
PART NO	A	B	C CHASSIS THICKNESS	PACKAGE
FCT-14	14.0	$\phi 9.8$	1.0~2.0	1000
FCT-19A	19.0	$\phi 10.0$	0.8~1.6	

3-11-3

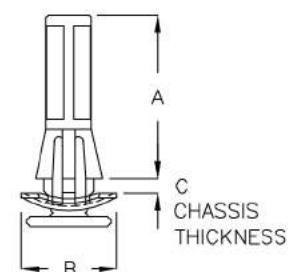


P.C.板間隔柱 SPACER SUPPORT

MATERIAL: NYLON 66(UL)
 FLAME CLASS: 94V-2
 COLOR: NATURAL
 HOLE IN CHASSIS: $\Phi 4.8$



FORM.1



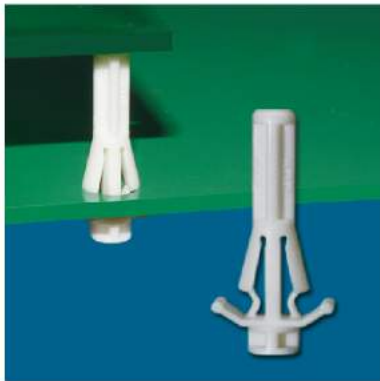
FORM.2

PART NO	A	B	C CHASSIS THICKNESS	FORM	PACKAGE
FFR-05	5.0	$\phi 6.75$	1.4~1.6	1	1000
FFR-15H	15.5	$\phi 9.0$	1.4~1.6	2	

P.C.板間隔柱 SPACER SUPPORT

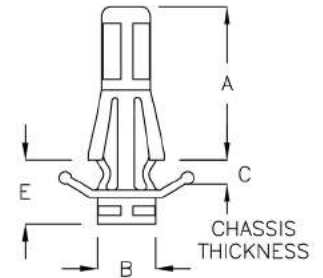
PINGOOD

3-12-1



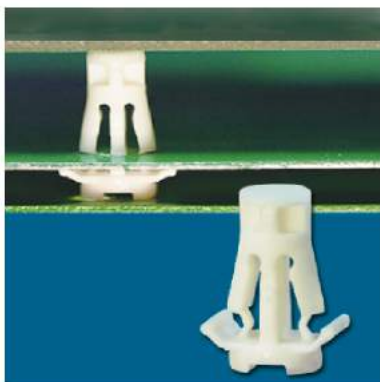
P.C.板間隔柱 SPACER SUPPORT

MATERIAL: NYLON 66(UL)
 FLAME CLASS: 94V-2
 COLOR: NATURAL
 HOLE IN CHASSIS: $\Phi 4.0$



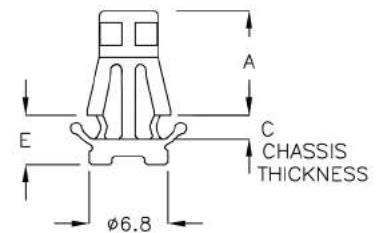
PART NO	A	B	C CHASSIS THICKNESS	E	PACKAGE
KDD-11	11.0	4.2	1.6	4.6	500
KDD-12C	12.5	4.2	1.6	4.1	
KDD-12MK	12.5	5.0	1.6	4.7	
KDD-12TS	12.5	5.0	1.6	5.5	
KDD-14C	14.6	4.2	1.6	5.1	
KDD-15A	15.0	5.0	1.6	4.6	
KDD-19	19.0	4.2	1.6	5.2	
KDD-22A	22.3	4.2	1.6	5.2	
KDD-24	24.0	5.0	1.6	4.6	

3-12-2



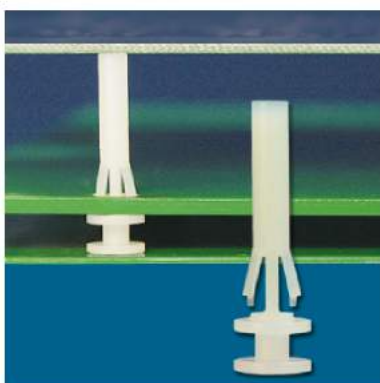
P.C.板間隔柱 SPACER SUPPORT

MATERIAL: NYLON 66(UL)
 FLAME CLASS: 94V-2
 COLOR: NATURAL
 HOLE IN CHASSIS: $\Phi 5.6$



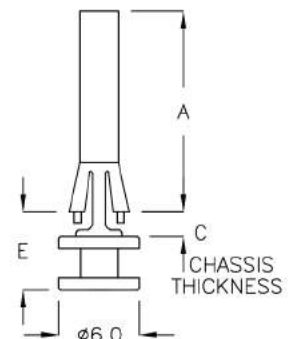
PART NO	A	C CHASSIS THICKNESS	E	PACKAGE
KDH-09	9.0	0.8~1.6	4.3	1000

3-12-3



P.C.板間隔柱 SPACER SUPPORT

MATERIAL: NYLON 66(UL)
 FLAME CLASS: 94V-2
 COLOR: NATURAL
 HOLE IN CHASSIS: $\Phi 3.5$

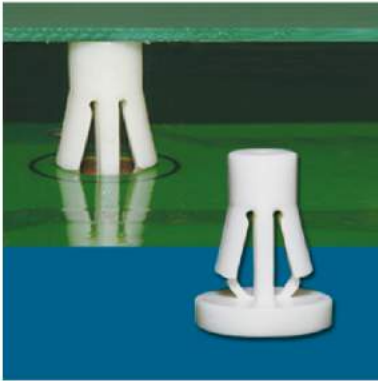


PART NO	A	C CHASSIS THICKNESS	E	PACKAGE
KDM-14K	15.0	1.4~1.6	5.8	500
KDM-16	16.0	1.4~1.6	5.8	2000

P.C.板間隔柱 SPACER SUPPORT

PINGOOD

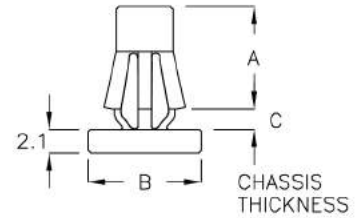
3-13-1



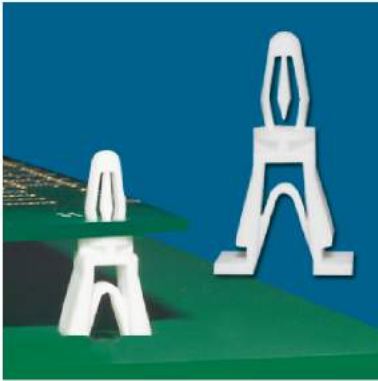
P.C.板間隔柱 SPACER SUPPORT

MATERIAL: NYLON 66(UL)
FLAME CLASS: 94V-2
COLOR: NATURAL
HOLE IN CHASSIS: $\Phi 5.6$

PART NO	A	B	C CHASSIS THICKNESS	PACKAGE
SCQ-09	9.0	$\Phi 10.0$	1.6	1000



3-13-2

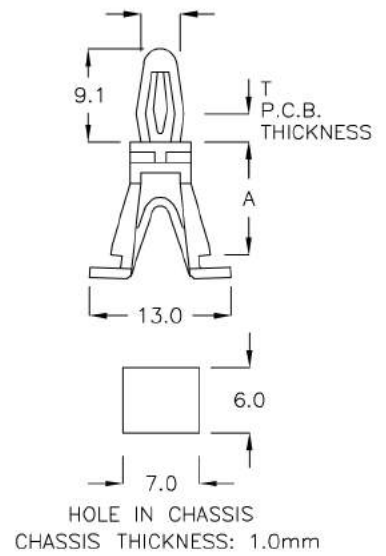


P.C.板間隔柱 SPACER SUPPORT

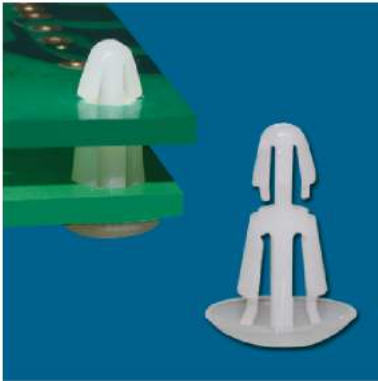
MATERIAL: NYLON 66(UL)
FLAME CLASS: 94V-2
COLOR: NATURAL

PART NO	A	T P.C.B. THICKNESS	PACKAGE
SK-011	11.0	1.6	1000

HOLE IN P.C.B.: $\Phi 4.0$



3-13-3

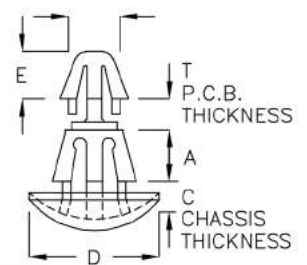


P.C.板間隔柱 SPACER SUPPORT

MATERIAL: NYLON 66(UL)
FLAME CLASS: 94V-2
COLOR: NATURAL
HOLE IN CHASSIS: $\Phi 4.0$

PART NO	A	T P.C.B. THICKNESS	C CHASSIS THICKNESS	D	E	PACKAGE
SCK-2C	2.5	1.4~1.6	0.8~1.0	$\Phi 5.8$	2.7	2000
SCK-2K	2.5	1.6~1.9	0.8~1.0	$\Phi 5.8$	2.65	
SCK-3A	3.2	1.4~1.6	0.8~1.6	$\Phi 8.2$	3.1	1000
SCK-04	4.0	1.4~1.6	0.8~1.6	$\Phi 8.2$	3.1	
SCK-4AM	4.5	1.4~1.6	0.8~1.6	$\Phi 8.2$	3.1	
SCK-05	5.0	1.4~1.6	0.8~1.2	$\Phi 5.8$	3.1	
SCK-5QN	5.5	1.4~1.6	0.8~1.6	$\Phi 8.2$	3.1	
SCK-06	6.0	1.4~1.6	0.8~1.4	$\Phi 8.2$	3.1	
SCK-07	7.0	1.4~1.6	0.8~1.6	$\Phi 8.2$	3.1	
SCK-08	8.0	1.4~1.6	0.8~1.6	$\Phi 8.2$	3.1	
SCK-10	10.0	1.4~1.6	0.8~1.6	$\Phi 8.2$	3.1	
SCK-12	12.0	1.4~1.6	0.8~1.6	$\Phi 8.2$	3.1	

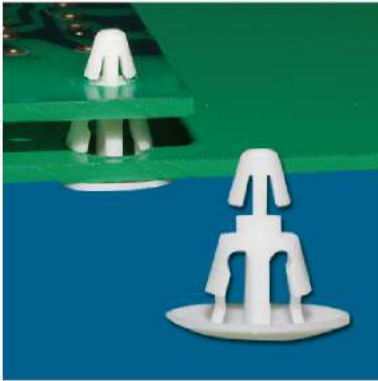
HOLE IN P.C.B.: $\Phi 3.0$



P.C.板間隔柱 SPACER SUPPORT

PINGOOD

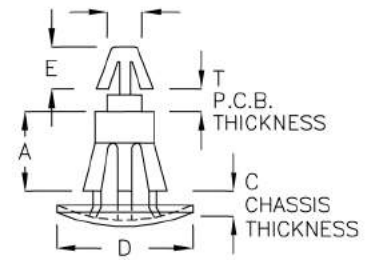
3-14-1



P.C.板間隔柱 SPACER SUPPORT

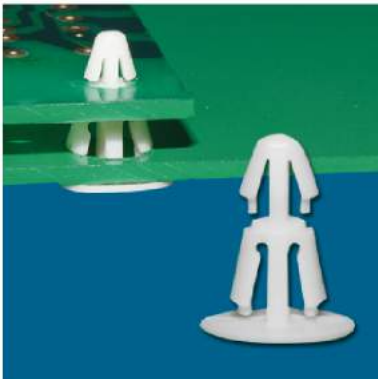
MATERIAL: NYLON 66(UL)
 FLAME CLASS: 94V-2
 COLOR: NATURAL
 HOLE IN CHASSIS: $\Phi 5.5$

HOLE IN P.C.B.: $\Phi 3.0$



PART NO	A	T P.C.B. THICKNESS	C CHASSIS THICKNESS	D	E	PACKAGE
SCE-3A	3.5	1.2~1.7	1.1~1.7	$\Phi 11.45$	3.6	1000
SCE-4KD	4.8	1.2~1.7	1.1~1.6	$\Phi 11.45$	3.6	
SCE-6	6.35	1.2~1.7	1.1~1.6	$\Phi 11.45$	3.6	
SCE-07	7.0	1.2~1.7	1.1~1.6	$\Phi 11.45$	3.6	
SCE-8	8.0	1.2~1.7	1.1~1.6	$\Phi 11.45$	3.6	
SCE-10	9.7	1.2~1.7	1.1~1.6	$\Phi 11.45$	3.6	500
SCE-10A	10.5	1.2~1.7	1.1~1.6	$\Phi 11.45$	3.6	
SCE-10C	9.7	1.2~1.7	1.1~1.6	$\Phi 7.0$	3.6	
SCE-11	11.0	1.2~1.7	1.1~1.6	$\Phi 11.45$	3.6	

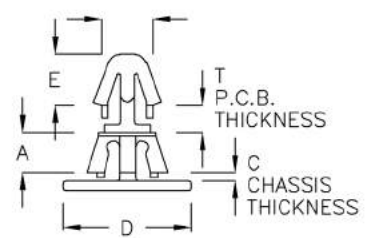
3-14-2



P.C.板間隔柱 SPACER SUPPORT

MATERIAL: NYLON 66(UL)
 FLAME CLASS: 94V-2
 COLOR: NATURAL
 HOLE IN CHASSIS: $\Phi 4.0$

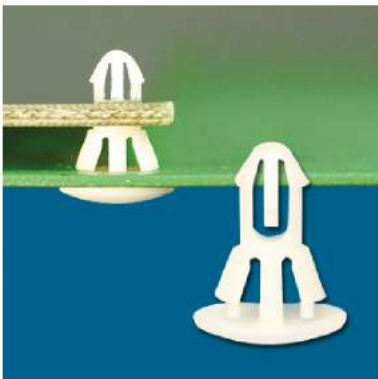
HOLE IN P.C.B.: $\Phi 3.0$



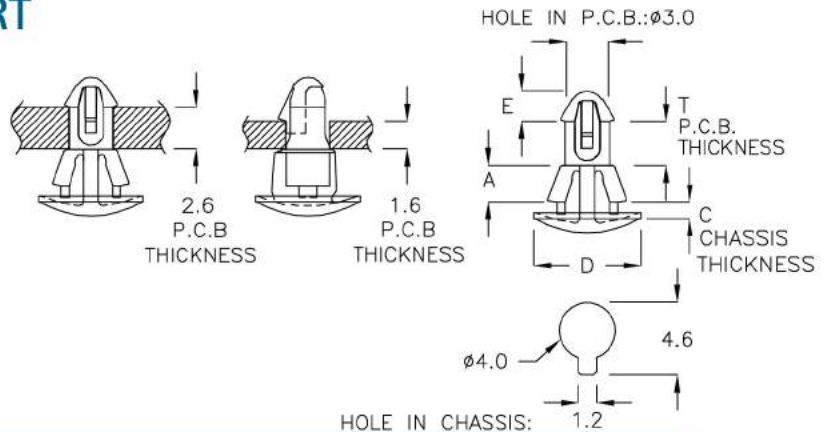
PART NO	A	T P.C.B. THICKNESS	C CHASSIS THICKNESS	D	E	PACKAGE
SCG-2A	2.5	1.6	0.5	$\Phi 8.0$	3.2	2000
SCG-3D	3.8	1.6	0.8	$\Phi 8.0$	3.2	
SCG-05	5.0	1.6	0.5	$\Phi 8.0$	3.2	

3-14-3

P.C.板間隔柱 SPACER SUPPORT



MATERIAL: NYLON 66(UL)
 FLAME CLASS: 94V-2
 COLOR: NATURAL

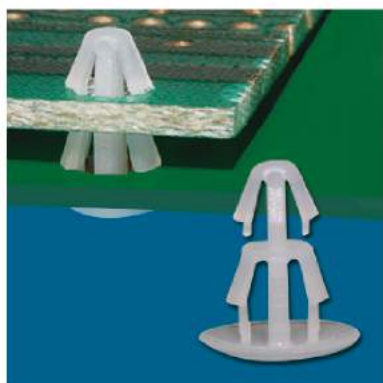


PART NO	A	T P.C.B. THICKNESS	C CHASSIS THICKNESS	D	E	PACKAGE
SCZ-2M	2.5	1.6	0.8~1.0	$\Phi 7.0$	2.0	2000
		2.6				

P.C.板間隔柱 SPACER SUPPORT

PINGOOD

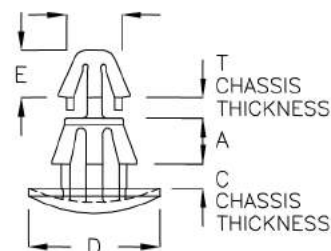
3-15-1



P.C.板間隔柱 SPACER SUPPORT

MATERIAL: NYLON 66(UL)
 FLAME CLASS: 94V-2
 COLOR: NATURAL
 HOLE IN CHASSIS: $\Phi 4.0$

HOLE IN P.C.B.: $\phi 3.2$



PART NO	A	T P.C.B. THICKNESS	C CHASSIS THICKNESS	D	E	PACKAGE
SCK-2DM	2.8	0.8~1.0	1.8	$\phi 8.0$	3.0	2000

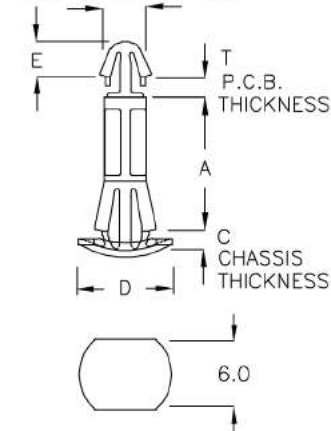
3-15-2



P.C.板間隔柱 SPACER SUPPORT

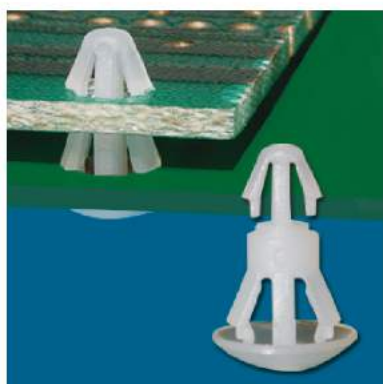
MATERIAL: NYLON 66(UL)
 FLAME CLASS: 94V-2
 COLOR: NATURAL
 HOLE IN CHASSIS: $\Phi 4.0$

HOLE IN P.C.B.: $\phi 3.2$



PART NO	A	T P.C.B. THICKNESS	C CHASSIS THICKNESS	D	E	PACKAGE
SCX-15	15.0	1.6	1.0	$\phi 8.0$	3.0	1000
SCX-35C	35.3	1.6	1.0	$\phi 8.0$	3.0	500

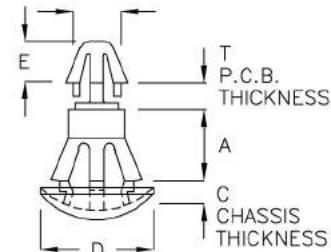
3-15-3



P.C.板間隔柱 SPACER SUPPORT

MATERIAL: NYLON 66(UL)
 FLAME CLASS: 94V-2
 COLOR: NATURAL
 HOLE IN CHASSIS: $\Phi 5.5$

HOLE IN P.C.B.: $\phi 3.4$

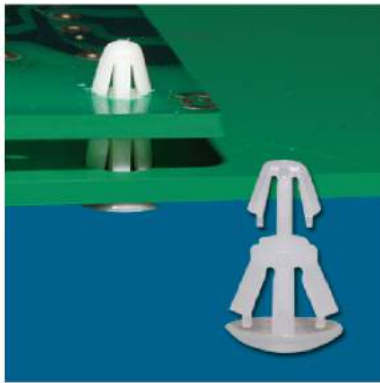


PART NO	A	T P.C.B. THICKNESS	C CHASSIS THICKNESS	D	E	PACKAGE
SCW-05	5.0	1.2~1.6	0.6~1.2	$\phi 8.0$	3.0	1000

P.C.板間隔柱 SPACER SUPPORT

PINGOOD

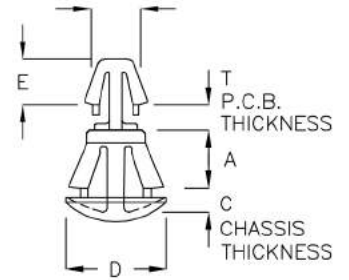
3-16-1



P.C.板間隔柱 SPACER SUPPORT

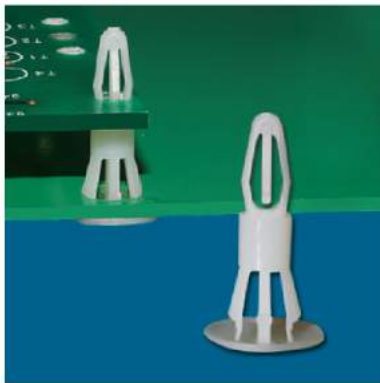
MATERIAL: NYLON 66(UL)
 FLAME CLASS: 94V-2
 COLOR: NATURAL
 HOLE IN CHASSIS: $\Phi 5.5$

HOLE IN P.C.B.: $\Phi 3.5$



PART NO	A	T P.C.B. THICKNESS	C CHASSIS THICKNESS	D	E	PACKAGE
SCS-4KP	4.5	1.6~1.8	0.8~1.0	$\Phi 7.8$	3.5	1000
SCU-11K	11.0	1.4~1.6	0.8~1.2	$\Phi 9.5$	2.8	

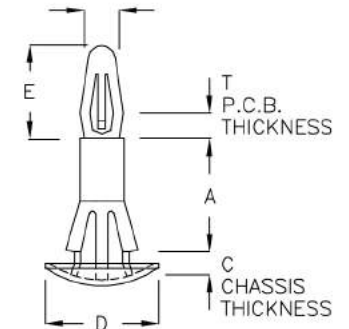
3-16-2



P.C.板間隔柱 SPACER SUPPORT

MATERIAL: NYLON 66(UL)
 FLAME CLASS: 94V-2
 COLOR: NATURAL
 HOLE IN CHASSIS: $\Phi 5.5$

HOLE IN P.C.B.: $\Phi 4.0$



PART NO	A	T P.C.B. THICKNESS	C CHASSIS THICKNESS	D	E	PACKAGE
SCD-10S	10.0	0.8~1.9	1.0~1.6	$\Phi 11.5$	9.65	500
SCD-12S	11.8	0.8~1.9	1.2~2.0	$\Phi 11.5$	9.65	

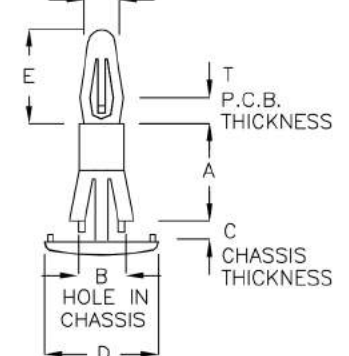
3-16-3



P.C.板間隔柱 SPACER SUPPORT

MATERIAL: NYLON 66(UL)
 FLAME CLASS: 94V-2
 COLOR: NATURAL

HOLE IN P.C.B.: $\Phi 4.0$

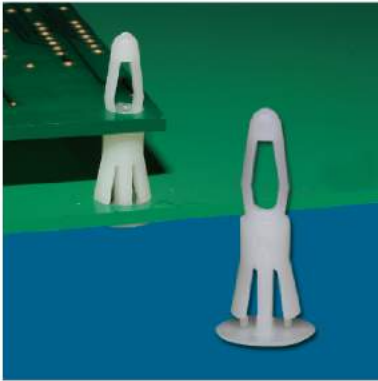


PART NO	A	B HOLE IN CHASSIS	T P.C.B. THICKNESS	C CHASSIS THICKNESS	D	E	PACKAGE
SCD-10	10.0	$\Phi 5.5$	1.2~1.7	1.0~1.6	$\Phi 11.4$	10.6	500
SCD-12	12.7	$\Phi 5.5$	1.2~1.7	1.0~1.5	$\Phi 12.8$	10.6	
SCD-15K	15.9	$\Phi 5.4$	1.2~1.6	1.5~1.6	$\Phi 12.7$	9.6	

P.C.板間隔柱 SPACER SUPPORT

PINGOOD

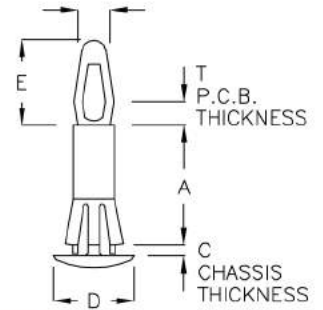
3-17-1



P.C.板間隔柱 SPACER SUPPORT

MATERIAL: NYLON 66(UL)
 FLAME CLASS: 94V-2
 COLOR: NATURAL
 HOLE IN CHASSIS: $\Phi 5.5$

HOLE IN P.C.B.: $\Phi 4.0$



PART NO	A	T P.C.B. THICKNESS	C CHASSIS THICKNESS	D	E	PACKAGE
SCD-10A	10.0	1.2~1.6	1.0~1.1	$\Phi 10.0$	10.8	500
SCD-25	25.0	1.2~1.6	1.0~1.1	$\Phi 10.0$	10.6	

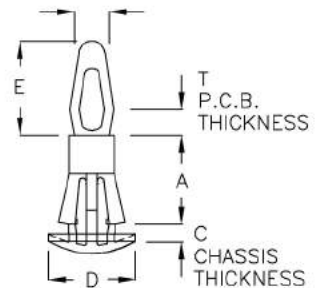
3-17-2



P.C.板間隔柱 SPACER SUPPORT

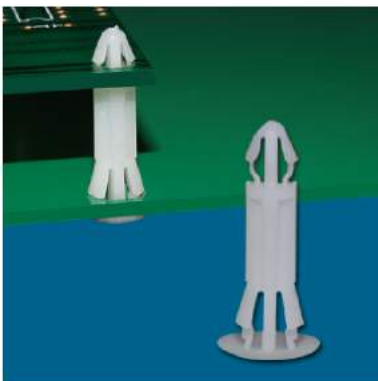
MATERIAL: NYLON 66(UL)
 FLAME CLASS: 94V-2
 COLOR: BLACK
 HOLE IN CHASSIS: $\Phi 5.5$

HOLE IN P.C.B.: $\Phi 4.0$



PART NO	A	T P.C.B. THICKNESS	C CHASSIS THICKNESS	D	E	PACKAGE
SCY-10	10.0	1.2~1.6	1.2~1.6	$\Phi 9.85$	10.6	1000

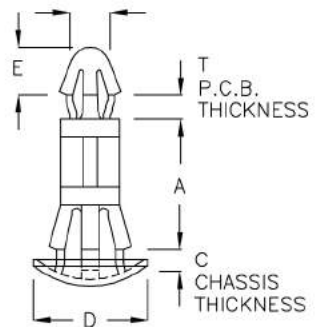
3-17-3



P.C.板間隔柱 SPACER SUPPORT

MATERIAL: NYLON 66(UL)
 FLAME CLASS: 94V-2
 COLOR: NATURAL
 HOLE IN CHASSIS: $\Phi 5.5$

HOLE IN P.C.B.: $\Phi 4.0$

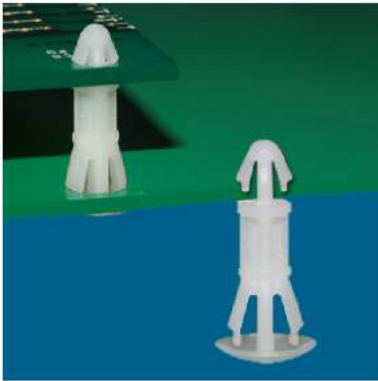


PART NO	A	T P.C.B. THICKNESS	C CHASSIS THICKNESS	D	E	PACKAGE
SCT-06	6.0	1.2~1.6	1.2~1.6	$\Phi 10.0$	4.0	1000
SCT-7	7.0	1.2~1.6	1.3~2.0	$\Phi 11.2$	4.0	
SCT-12A	12.0	1.2~1.6	1.1~2.0	$\Phi 9.9$	4.0	
SCT-13A	13.5	1.2~1.6	0.8~1.6	$\Phi 9.9$	4.0	
SCT-14	14.0	1.2~1.6	1.3~2.0	$\Phi 9.9$	4.0	
SCT-21A	21.7	1.2~1.6	0.8~1.6	$\Phi 9.9$	4.0	500

P.C.板間隔柱 SPACER SUPPORT

PINGOOD

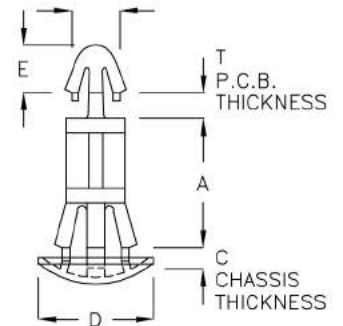
3-18-1



P.C.板間隔柱 SPACER SUPPORT

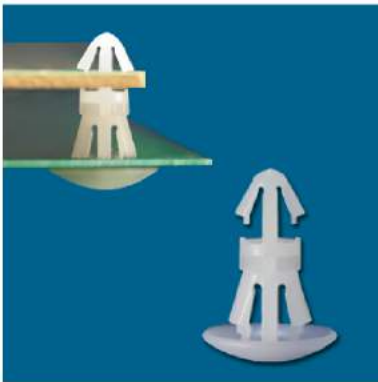
MATERIAL: NYLON 66(UL)
 FLAME CLASS: 94V-2
 COLOR: NATURAL
 HOLE IN CHASSIS: $\Phi 5.5$

HOLE IN P.C.B.: $\Phi 4.0$



PART NO	A	T P.C.B. THICKNESS	C CHASSIS THICKNESS	D	E	PACKAGE
SCT-3	3.0	1.2~1.6	0.8~1.6	$\Phi 9.8$	4.0	1000
SCT-3A	3.5	1.2~1.6	0.8~1.0	$\Phi 9.8$	3.6	
SCT-10	10.0	1.2~1.6	1.4~2.0	$\Phi 9.8$	4.5	

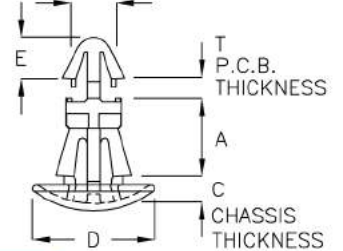
3-18-2



P.C.板間隔柱 SPACER SUPPORT

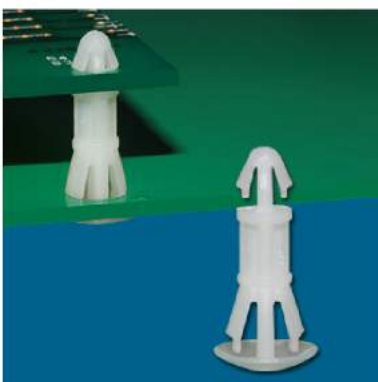
MATERIAL: NYLON 66(UL)
 FLAME CLASS: 94V-2
 COLOR: NATURAL
 HOLE IN CHASSIS: $\Phi 5.5$

HOLE IN P.C.B.: $\Phi 4.0$



PART NO	A	T P.C.B. THICKNESS	C CHASSIS THICKNESS	D	E	PACKAGE
SCT-7AF	7.0	1.2~1.6	1.2	$\Phi 11.1$	3.8	1000

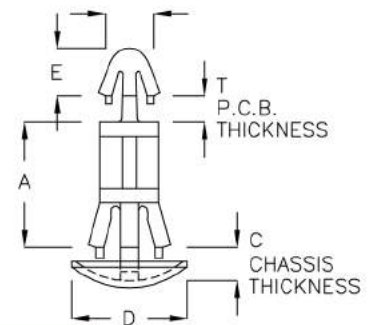
3-18-3



P.C.板間隔柱 SPACER SUPPORT

MATERIAL: NYLON 66(UL)
 FLAME CLASS: 94V-2
 COLOR: NATURAL
 HOLE IN CHASSIS: $\Phi 5.5$

HOLE IN P.C.B.: $\Phi 4.0$



PART NO	A	T P.C.B. THICKNESS	C CHASSIS THICKNESS	D	E	PACKAGE
SCT-05	5.0	1.2~1.6	1.4~2.0	$\Phi 9.8$	4.0	1000
SCT-6KT	6.35	1.2~1.6	1.4~2.0	$\Phi 9.8$	4.0	
SCT-08	8.0	1.2~1.6	1.4~2.0	$\Phi 9.8$	4.0	
SCT-8C	8.0	1.2~1.6	1.1~1.8	$\Phi 9.6$	4.0	
SCT-12C	11.9	1.2~1.6	1.1~1.8	$\Phi 9.7$	4.0	
SCT-18	18.0	1.2~1.6	1.0~2.0	$\Phi 9.8$	4.0	
SCT-18K	18.0	1.2~1.6	1.8~2.2	$\Phi 9.8$	4.0	

P.C.板間隔柱 SPACER SUPPORT

PINGOOD

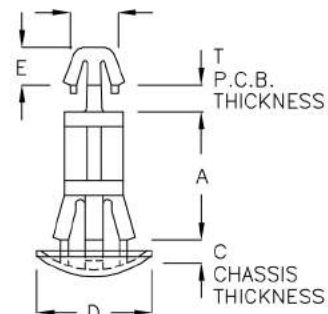
3-19-1



P.C.板間隔柱 SPACER SUPPORT

MATERIAL: NYLON 66(UL)
 FLAME CLASS: 94V-2
 COLOR: NATURAL
 HOLE IN CHASSIS: $\Phi 5.5$

HOLE IN P.C.B.: $\Phi 4.0$



PART NO	A	T P.C.B. THICKNESS	C CHASSIS THICKNESS	D	E	PACKAGE
SCT-10A	10.0	1.2~1.6	0.8~1.6	$\Phi 10.0$	3.2	1000
SCT-19	19.0	1.2~1.6	0.8~1.6	$\Phi 10.0$	3.2	
SCT-19A	19.0	1.2~1.6	0.6	$\Phi 10.0$	3.4	

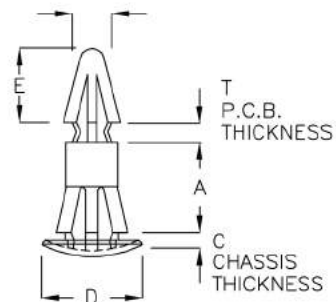
3-19-2



P.C.板間隔柱 SPACER SUPPORT

MATERIAL: NYLON 66(UL)
 FLAME CLASS: 94V-2
 COLOR: NATURAL
 HOLE IN CHASSIS: $\Phi 5.5$

HOLE IN P.C.B.: $\Phi 4.0$

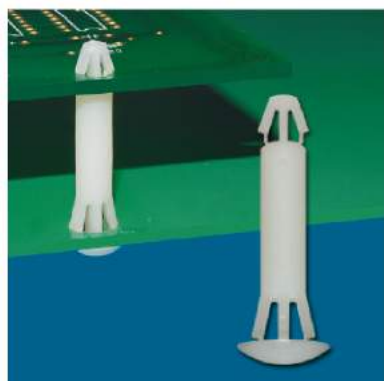


PART NO	A	T P.C.B. THICKNESS	C CHASSIS THICKNESS	D	E	PACKAGE
SCB-5	5.0	1.2~1.6	0.8~1.4	$\Phi 10.0$	7.4	1000
SCB-5.5	5.5	1.2~1.6	0.8~1.7	$\Phi 10.0$	7.1	
SCB-6	6.35	1.2~1.6	0.8~1.2	$\Phi 10.0$	7.5	
SCB-6A	6.5	1.4~1.8	0.8~1.7	$\Phi 10.1$	7.1	
SCB-6F	6.5	1.2~1.6	1.0~1.7	$\Phi 10.0$	4.9	
SCB-8	8.0	1.2~1.6	0.8~1.4	$\Phi 9.9$	7.1	
SCB-8A	8.0	1.2~1.6	0.8~1.1	$\Phi 10.1$	7.4	
SCB-9A	9.0	1.2~1.8	0.8~1.4	$\Phi 10.0$	7.3	
SCB-10	10.0	1.2~1.6	0.8~1.2	$\Phi 10.0$	7.6	
SCB-10A	10.0	1.5~2.4	1.0~1.4	$\Phi 10.0$	7.1	
SCB-11F	11.0	1.2~1.6	0.8~1.2	$\Phi 9.9$	7.3	
SCB-12	12.4	1.2~1.6	0.8~1.4	$\Phi 9.9$	7.2	
SCB-15	15.6	1.2~1.6	0.8~1.4	$\Phi 9.8$	7.3	
SCB-16	16.2	1.2~1.6	0.7~1.2	$\Phi 9.8$	6.6	
SCB-19	19.0	1.2~1.6	0.8~1.4	$\Phi 9.9$	7.5	500
SCB-24	24.0	1.2~1.6	0.8~1.4	$\Phi 9.8$	7.5	
SCB-28A	28.3	1.4~1.8	0.8~1.0	$\Phi 10.0$	6.4	

P.C.板間隔柱 SPACER SUPPORT

PINGOOD

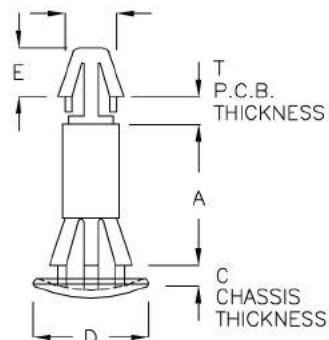
3-20-1



P.C.板間隔柱 SPACER SUPPORT

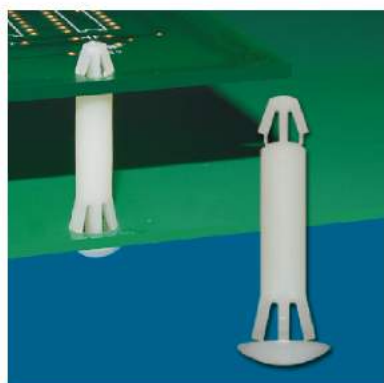
MATERIAL: NYLON 66(UL)
 FLAME CLASS: 94V-2
 COLOR: NATURAL
 HOLE IN CHASSIS: $\Phi 5.5$

HOLE IN P.C.B.: $\Phi 4.5$



PART NO	A	T P.C.B. THICKNESS	C CHASSIS THICKNESS	D	E	PACKAGE
SCC-21	21.0	1.4~1.6	0.8~1.0	$\Phi 10.0$	4.0	1000

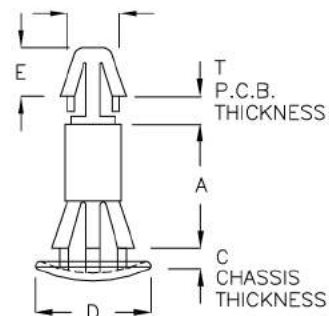
3-20-2



P.C.板間隔柱 SPACER SUPPORT

MATERIAL: NYLON 66(UL)
 FLAME CLASS: 94V-2
 COLOR: NATURAL
 HOLE IN CHASSIS: $\Phi 5.5$

HOLE IN P.C.B.: $\Phi 4.0$



PART NO	A	T P.C.B. THICKNESS	C CHASSIS THICKNESS	D	E	PACKAGE
SCC-3	3.5	1.2~1.6	1.6~2.2	$\Phi 11.45$	4.0	1000
SCC-3A	3.1	1.5~1.7	1.8~2.2	$\Phi 11.45$	4.0	
SCC-3C	3.5	1.8~2.3	1.8~2.2	$\Phi 11.45$	4.0	
SCC-5	5.0	1.2~1.6	1.6~2.2	$\Phi 11.45$	4.0	
SCC-6	6.35	1.4~1.9	1.6~2.2	$\Phi 11.45$	4.0	
SCC-8	8.2	1.3~1.7	1.6~2.2	$\Phi 11.45$	4.0	
SCC-8D	7.9	1.3~1.7	1.6~2.2	$\Phi 11.45$	4.0	
SCC-10	10.0	1.4~1.8	1.6~2.2	$\Phi 11.45$	4.0	
SCC-10A	10.0	1.8~2.2	1.6~2.2	$\Phi 11.45$	4.0	
SCC-10C	10.0	2.8~3.2	1.6~2.2	$\Phi 11.45$	4.0	
SCC-12	12.7	1.2~1.6	1.6~2.2	$\Phi 11.45$	4.0	
SCC-15	15.7	1.3~1.7	1.6~2.2	$\Phi 11.45$	4.0	
SCC-19	19.0	1.6~1.8	1.6~2.2	$\Phi 11.45$	4.0	
SCC-19A	19.1	1.6~2.0	1.6~2.2	$\Phi 11.45$	4.0	
SCC-20	20.0	1.2~1.6	1.6~2.2	$\Phi 11.45$	4.0	500
SCC-24	23.8	1.3~1.7	1.6~2.0	$\Phi 11.45$	4.0	
SCC-26A	25.8	1.4~1.6	1.7~2.3	$\Phi 11.45$	4.0	
SCC-32	32.0	1.4~1.6	1.7~2.3	$\Phi 11.45$	4.0	

P.C.板間隔柱 SPACER SUPPORT

PINGOOD

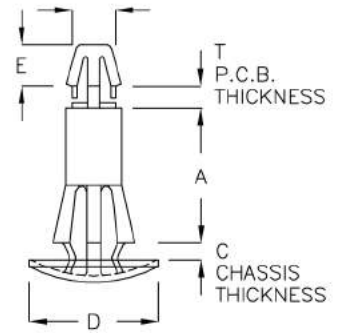
3-21-1



P.C.板間隔柱 SPACER SUPPORT

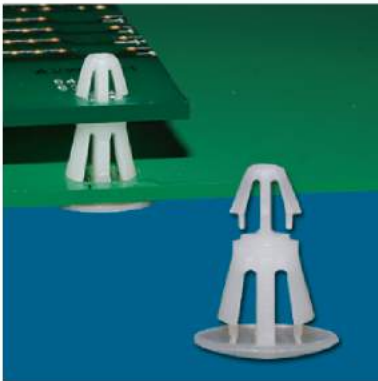
MATERIAL: NYLON 66(UL)
 FLAME CLASS: 94V-2
 COLOR: NATURAL
 HOLE IN CHASSIS: $\Phi 5.6$

HOLE IN P.C.B.: $\Phi 4.0$



PART NO	A	T P.C.B. THICKNESS	C CHASSIS THICKNESS	D	E	PACKAGE
SCC-34	34.0	1.4~1.6	1.6~1.8	$\Phi 11.4$	3.6	500

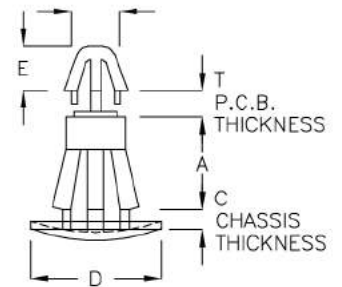
3-21-2



P.C.板間隔柱 SPACER SUPPORT

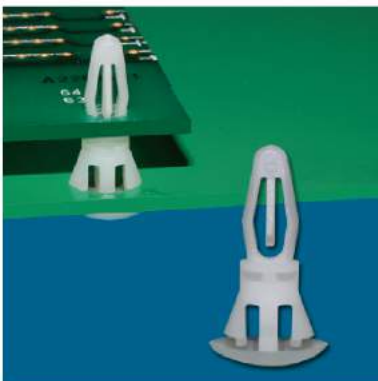
MATERIAL: NYLON 66(UL)
 FLAME CLASS: 94V-2
 COLOR: NATURAL
 HOLE IN CHASSIS: $\Phi 6.0$

HOLE IN P.C.B.: $\Phi 4.0$



PART NO	A	T P.C.B. THICKNESS	C CHASSIS THICKNESS	D	E	PACKAGE
SCF-5	5.0	1.2~1.7	0.8~1.6	$\Phi 11.55$	4.0	1000
SCF-06	6.35	1.2~1.7	0.8~1.6	$\Phi 11.55$	4.1	
SCF-8	8.0	1.2~1.7	0.8~1.6	$\Phi 11.55$	4.0	500
SCF-10	10.0	1.2~1.7	0.8~1.6	$\Phi 11.55$	4.1	
SCF-12	12.7	1.2~1.7	0.8~1.6	$\Phi 11.55$	4.0	
SCF-15AP	15.9	1.2~1.7	0.8~2.0	$\Phi 11.0$	3.0	
SCF-21J	21.6	1.2~1.6	0.6~0.8	$\Phi 11.55$	4.0	

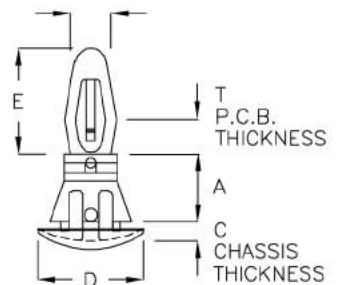
3-21-3



P.C.板間隔柱 SPACER SUPPORT

MATERIAL: NYLON 66(UL)
 FLAME CLASS: 94V-2
 COLOR: NATURAL
 HOLE IN CHASSIS: $\Phi 6.0$

HOLE IN P.C.B.: $\Phi 4.0$



PART NO	A	T P.C.B. THICKNESS	C CHASSIS THICKNESS	D	E	PACKAGE
SCD-6A	6.4	1.2~1.7	0.8~1.2	$\Phi 10.0$	10.1	1000

P.C.板間隔柱 SPACER SUPPORT

PINGOOD

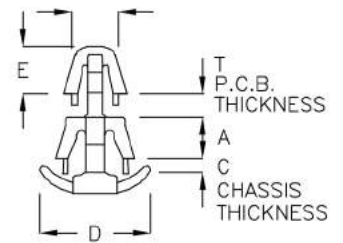
3-22-1



P.C.板間隔柱 SPACER SUPPORT

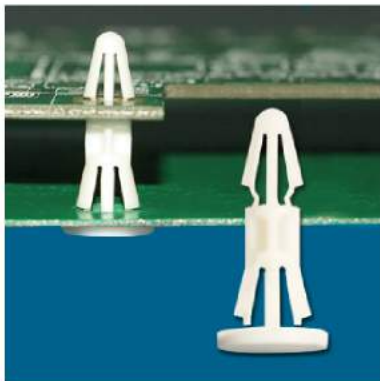
MATERIAL: NYLON 66(UL)
 FLAME CLASS: 94V-2
 COLOR: NATURAL
 HOLE IN CHASSIS: $\Phi 5.5$

HOLE IN P.C.B.: $\Phi 4.0$



PART NO	A	T P.C.B. THICKNESS	C CHASSIS THICKNESS	D	E	PACKAGE
SCP-3A	3.5	1.4~1.6	0.5~0.8	$\Phi 9.5$	4.0	2000

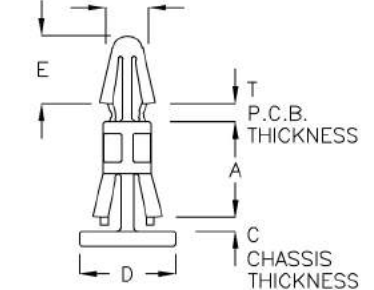
3-22-2



P.C.板間隔柱 SPACER SUPPORT

MATERIAL: NYLON 66(UL)
 FLAME CLASS: 94V-2
 COLOR: NATURAL
 HOLE IN CHASSIS: $\Phi 5.5$

HOLE IN P.C.B.: $\Phi 4.0$



PART NO	A	T P.C.B. THICKNESS	C CHASSIS THICKNESS	D	E	PACKAGE
SDA-10	10.0	1.2~1.6	0.8~1.2	$\Phi 10.0$	7.1	1000

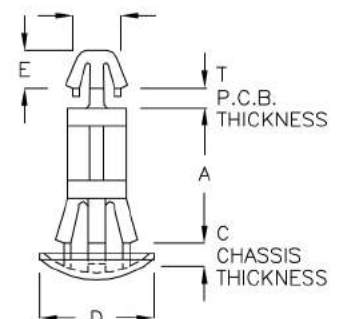
3-22-3



P.C.板間隔柱 SPACER SUPPORT

MATERIAL: NYLON 66(UL)
 FLAME CLASS: 94V-2
 COLOR: NATURAL
 HOLE IN CHASSIS: $\Phi 5.5$

HOLE IN P.C.B.: $\Phi 4.2$



PART NO	A	T P.C.B. THICKNESS	C CHASSIS THICKNESS	D	E	PACKAGE
SCM-19	19.0	1.0	0.6~0.8	$\Phi 10.0$	3.3	500
SCM-25	25.0	1.6	0.6~0.8	$\Phi 10.0$	2.7	

P.C.板間隔柱 SPACER SUPPORT

PINGOOD

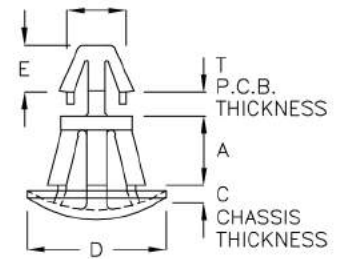
3-23-1



P.C.板間隔柱 SPACER SUPPORT

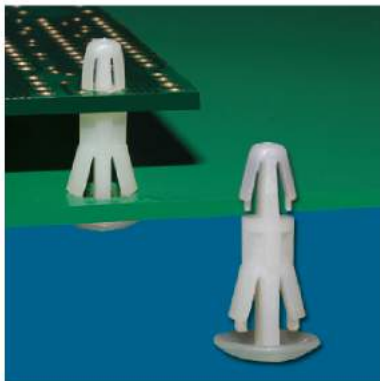
MATERIAL: NYLON 66(UL)
 FLAME CLASS: 94V-2
 COLOR: NATURAL
 HOLE IN CHASSIS: $\Phi 5.5$

HOLE IN P.C.B.: $\Phi 4.2$



PART NO	A	T P.C.B. THICKNESS	C CHASSIS THICKNESS	D	E	PACKAGE
SCM-05	5.0	1.6	0.6	$\Phi 10.0$	3.3	1000

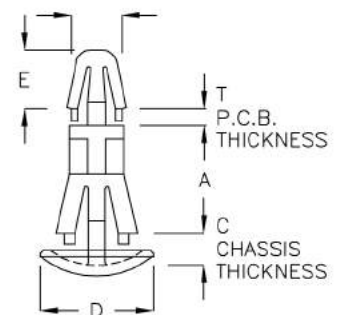
3-23-2



P.C.板間隔柱 SPACER SUPPORT

MATERIAL: NYLON 66(UL)
 FLAME CLASS: 94V-2
 COLOR: NATURAL
 HOLE IN CHASSIS: $\Phi 5.5$

HOLE IN P.C.B.: $\Phi 4.3$



PART NO	A	T P.C.B. THICKNESS	C CHASSIS THICKNESS	D	E	PACKAGE
SCL-9	9.0	1.1	1.5~1.8	$\Phi 9.5$	5.1	500

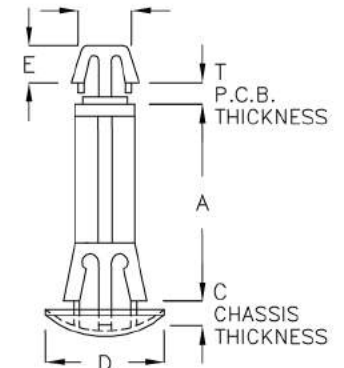
3-23-3



P.C.板間隔柱 SPACER SUPPORT

MATERIAL: NYLON 66(UL)
 FLAME CLASS: 94V-2
 COLOR: NATURAL
 HOLE IN CHASSIS: $\Phi 5.5$

HOLE IN P.C.B.: $\Phi 4.5$

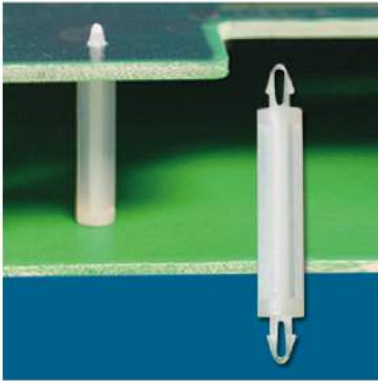


PART NO	A	T P.C.B. THICKNESS	C CHASSIS THICKNESS	D	E	PACKAGE
SCA-19	19.0	1.6	0.8	$\Phi 10.0$	3.1	1000

P.C.板間隔柱 SPACER SUPPORT

PINGOOD

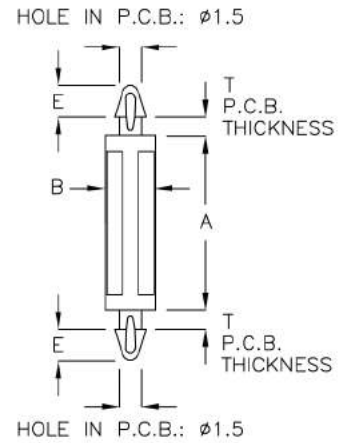
3-24-1



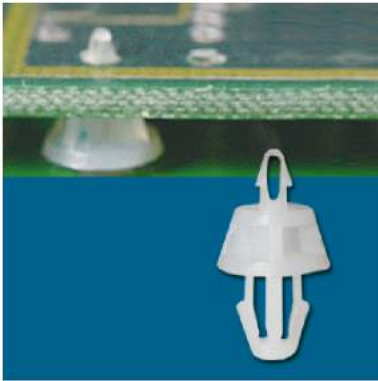
P.C.板間隔柱 SPACER SUPPORT

MATERIAL: NYLON 66(UL)
FLAME CLASS: 94V-2
COLOR: NATURAL

PART NO	A	B	T P.C.B. THICKNESS	E	PACKAGE
MCL-14	14.0	∅3.2	1.0	2.0	2000



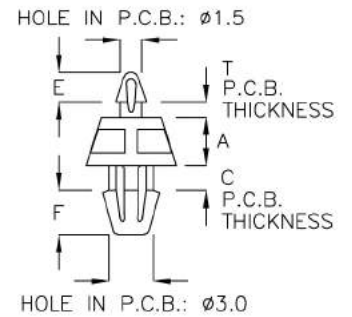
3-24-2



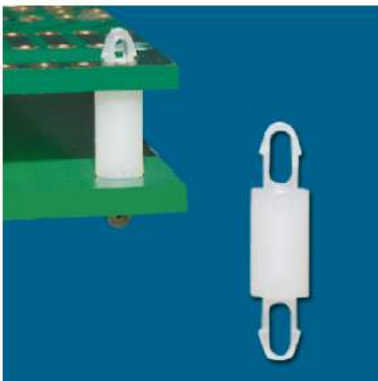
P.C.板間隔柱 SPACER SUPPORT

MATERIAL: NYLON 66(UL)
FLAME CLASS: 94V-2
COLOR: NATURAL

PART NO	A	T P.C.B. THICKNESS	C P.C.B. THICKNESS	E	F	PACKAGE
KHA-3A	3.2	0.8	1.6	2.0	2.95	2000



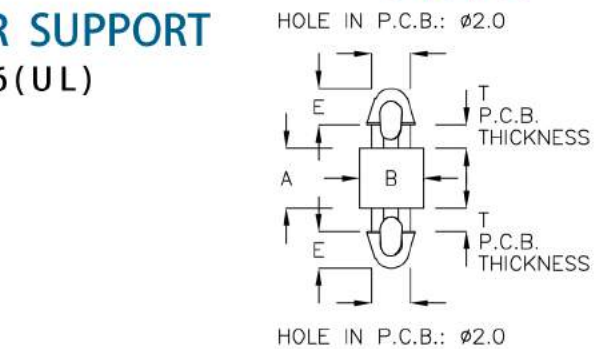
3-24-3



P.C.板間隔柱 SPACER SUPPORT

MATERIAL: NYLON 66(UL)
FLAME CLASS: 94V-2
COLOR: NATURAL

PART NO	A	B	T P.C.B. THICKNESS	E	PACKAGE
MCS-2A	2.2	∅3.2	1.0	1.85	2000
MCS-2F	2.2	∅3.2	1.6	1.85	
MCS-03	3.0	∅3.2	1.0	1.95	
MCS-3DF	3.5	∅3.2	1.0	1.85	
MCS-04	4.0	∅3.2	1.0	1.85	
MCS-4A	4.5	∅3.2	1.0	1.85	
MCS-4C	4.0	∅3.2	1.6	1.85	
MCS-4F	4.5	∅3.2	1.6	1.85	
MCS-05	5.0	∅3.2	1.0	1.85	
MCS-5A	5.5	∅3.2	1.0	1.85	

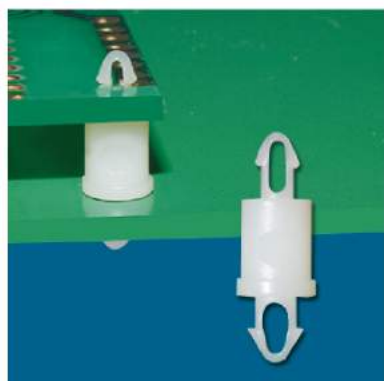


PART NO	A	B	T P.C.B. THICKNESS	E	PACKAGE
MCS-5C	5.0	∅3.2	1.6	1.85	2000
MCS-5F	5.5	∅3.2	1.6	1.85	
MCS-06	6.0	∅3.2	1.0	1.85	
MCS-6A	6.5	∅3.2	1.0	1.85	
MCS-6C	6.0	∅3.2	1.6	1.85	
MCS-6F	6.5	∅3.2	1.6	1.85	
MCS-08	8.0	∅3.2	1.0	1.85	
MCS-8C	8.0	∅3.2	1.6	1.85	
MCS-10A	10.5	∅3.2	1.6	2.1	
MCS-18	18.2	∅3.0	1.0	1.5	
MCS-22	22.0	∅3.2	1.6	2.0	

P.C.板間隔柱 SPACER SUPPORT

PINGOOD

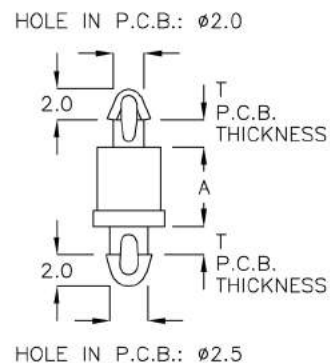
3-25-1



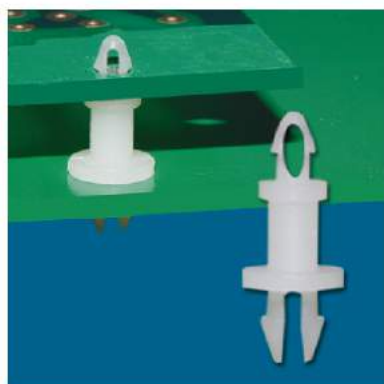
P.C.板間隔柱 SPACER SUPPORT

MATERIAL: NYLON 66(UL)
FLAME CLASS: 94V-2
COLOR: NATURAL

PART NO	A	T P.C.B. THICKNESS	PACKAGE
MEA-2M	2.5	1.6	2000
MEA-4M	4.5	1.6	
MEA-05	5.0	1.6	
MEA-5M	5.5	1.6	
MEA-6M	6.5	1.6	



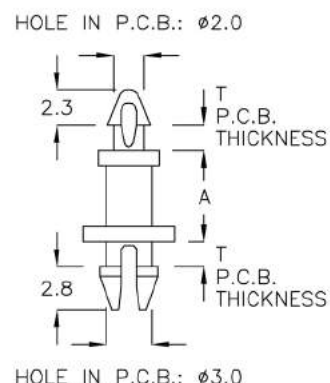
3-25-2



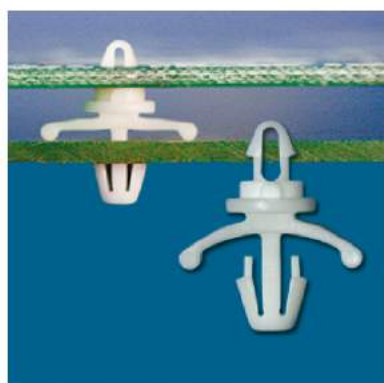
P.C.板間隔柱 SPACER SUPPORT

MATERIAL: NYLON 66(UL)
FLAME CLASS: 94V-2
COLOR: NATURAL

PART NO	A	T P.C.B. THICKNESS	PACKAGE
MCJ-6	6.0	1.6	2000



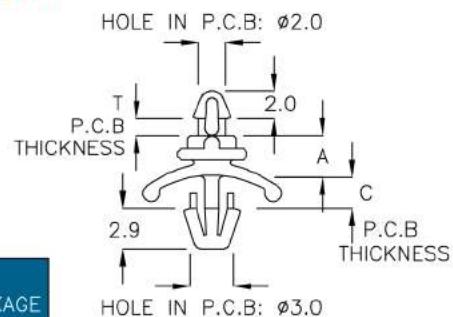
3-25-3



P.C.板間隔柱 SPACER SUPPORT

MATERIAL: NYLON 66(UL)
FLAME CLASS: 94V-2
COLOR: NATURAL

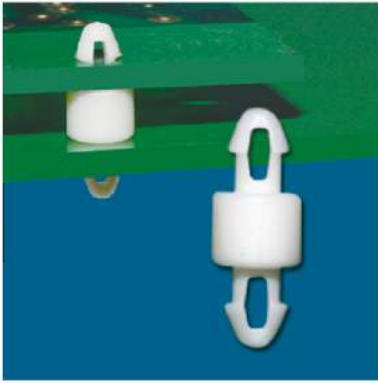
PART NO	A	T P.C.B. THICKNESS	C P.C.B. THICKNESS	PACKAGE
LBK-04	3.0	0.8~1.0	0.8~1.6	2000



P.C.板間隔柱 SPACER SUPPORT

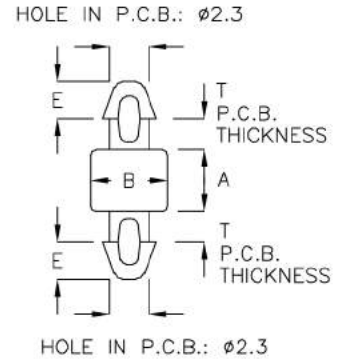
PINGOOD

3-26-1



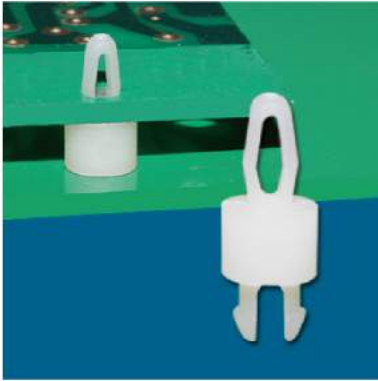
P.C.板間隔柱 SPACER SUPPORT

MATERIAL: NYLON 66(UL)
FLAME CLASS: 94V-2
COLOR: NATURAL



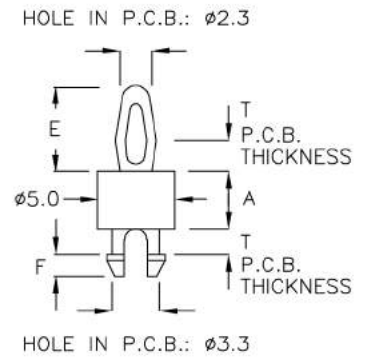
PART NO	A	B	T P.C.B. THICKNESS	E	PACKAGE
MCK-3A	3.5	ø4.4	1.7	2.2	2000

3-26-2



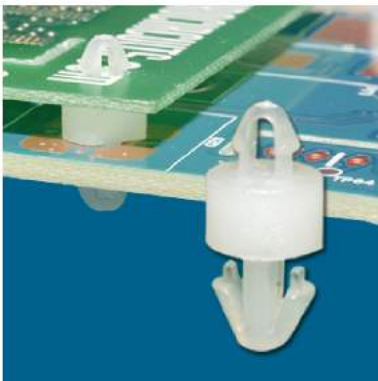
P.C.板間隔柱 SPACER SUPPORT

MATERIAL: NYLON 66(UL)
FLAME CLASS: 94V-2
COLOR: NATURAL



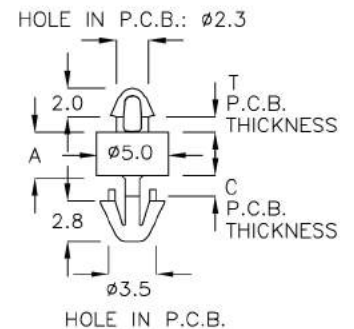
PART NO	A	T P.C.B. THICKNESS	E	F	PACKAGE
MCA-4	3.8	0.8~1.6	5.8	1.5	2000
MCA-06	6.0	0.8~1.6	5.8	1.4	

3-26-3



P.C.板間隔柱 SPACER SUPPORT

MATERIAL: NYLON 66(UL)
FLAME CLASS: 94V-2
COLOR: NATURAL

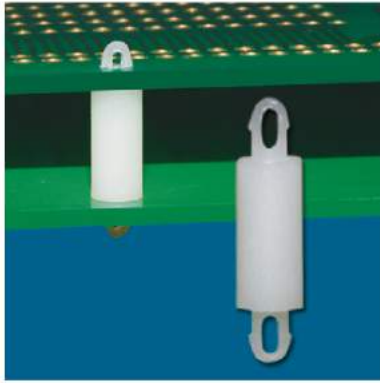


PART NO	A	T P.C.B. THICKNESS	C P.C.B. THICKNESS	PACKAGE
MEG-03	3.0	0.9	1.6	2000
MEG-06	6.0	1.6	2.3	

P.C.板間隔柱 SPACER SUPPORT

PINGOOD

3-27-1



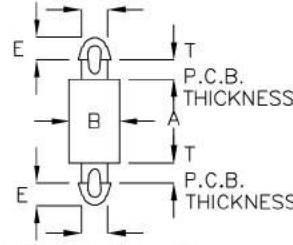
P.C.板間隔柱 SPACER SUPPORT

MATERIAL: NYLON 66(UL)

FLAME CLASS: 94V-2

COLOR: NATURAL

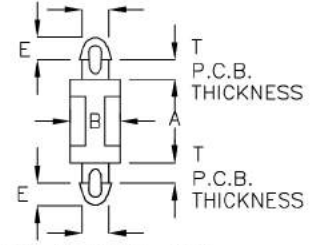
HOLE IN P.C.B.: $\phi 2.5$



HOLE IN P.C.B.: $\phi 2.5$

FORM.1

HOLE IN P.C.B.: $\phi 2.5$



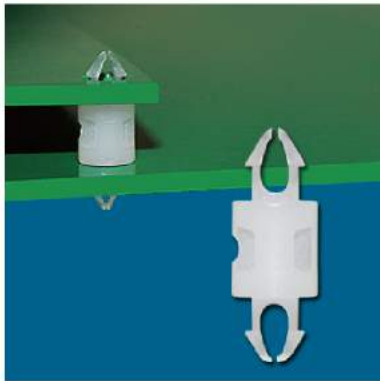
HOLE IN P.C.B.: $\phi 2.5$

FORM.2

PART NO	A	B	E	T	FORM	PACKAGE
MCD2-2	2.0	$\phi 4.5$	2.2	1.2~1.6	1	2000
MCD2-2M	2.5	$\phi 4.5$	2.0	1.2~1.6	1	
MCD2-3	3.0	$\phi 4.5$	2.2	1.2~1.6	1	
MCD2-3A	3.2	$\phi 4.3$	2.2	1.2~1.6	1	
MCD2-3M	3.5	$\phi 4.5$	2.0	1.2~1.6	1	
MCD2-4	4.0	$\phi 4.5$	2.2	1.2~1.6	1	
MCD2-4M	4.5	$\phi 4.5$	2.1	1.2~1.6	1	
MCD2-5	5.0	$\phi 4.5$	2.2	1.2~1.6	1	
MCD2-5M	5.5	$\phi 4.5$	2.0	1.2~1.6	1	

PART NO	A	B	E	T	FORM	PACKAGE
MCD2-6	6.0	$\phi 4.6$	2.2	1.2~1.6	1	2000
MCD2-6M	6.5	$\phi 4.5$	2.1	1.2~1.6	1	
MCD2-7	7.0	$\phi 4.5$	2.4	1.2~1.6	1	
MCD2-7A	7.5	$\phi 4.5$	2.2	1.6~1.8	2	
MCD2-8	8.0	$\phi 4.5$	2.2	1.2~1.6	1	
MCD2-9M	9.5	$\phi 4.5$	2.0	1.2~1.6	1	1000
MCD2-10	10.0	$\phi 4.5$	2.2	1.2~1.6	1	
MCD2-12	12.0	$\phi 4.5$	2.2	1.2~1.6	1	
MCD2-20	20.0	$\phi 4.5$	2.0	1.2~1.6	2	

3-27-2



P.C.板間隔柱 SPACER SUPPORT

MATERIAL: NYLON 66(UL)

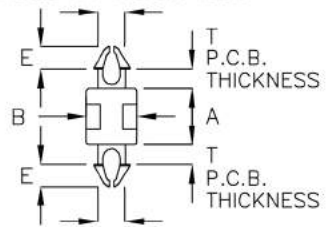
FLAME CLASS: 94V-2

COLOR: NATURAL



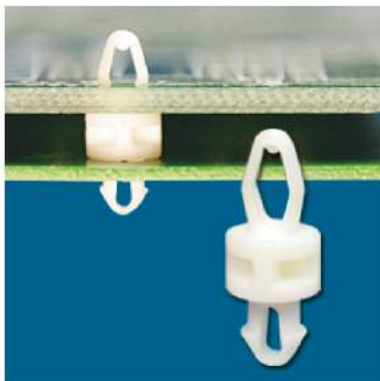
PART NO	A	B	E	T P.C.B. THICKNESS	PACKAGE
★ UCX-5K	5.0	$\phi 4.5$	2.0	1.2~1.6	2000

HOLE IN P.C.B.: $\phi 2.5$



HOLE IN P.C.B.: $\phi 2.5$

3-27-3



P.C.板間隔柱 SPACER SUPPORT

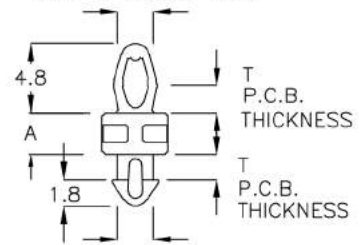
MATERIAL: NYLON 66(UL)

FLAME CLASS: 94V-2

COLOR: NATURAL

PART NO	A	T P.C.B. THICKNESS	PACKAGE
MQD-2DK	2.8	1.4~1.6	2000

HOLE IN P.C.B.: $\phi 2.5$

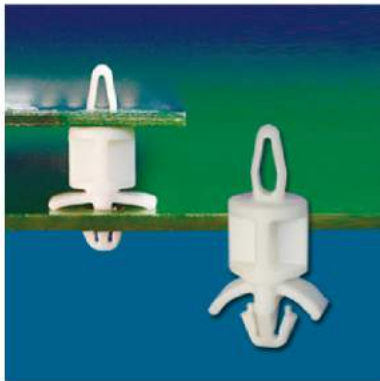


HOLE IN P.C.B.: $\phi 2.5$

P.C.板間隔柱 SPACER SUPPORT

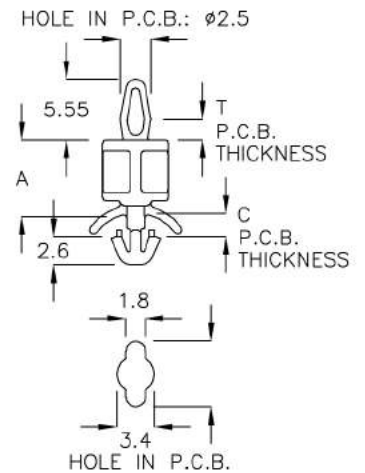
PINGOOD

3-28-1



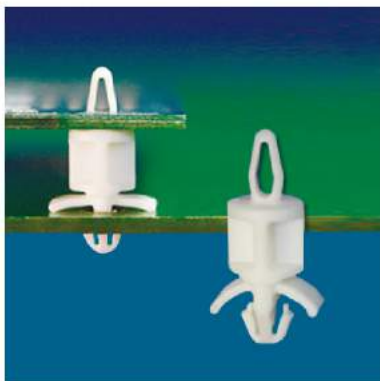
P.C.板間隔柱 SPACER SUPPORT

MATERIAL: NYLON 66(UL)
FLAME CLASS: 94V-2
COLOR: NATURAL



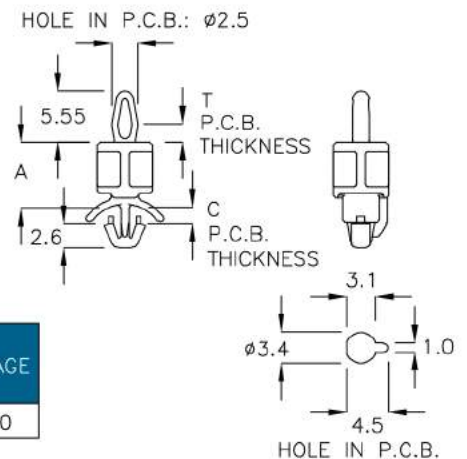
PART NO	A	T P.C.B. THICKNESS	C P.C.B. THICKNESS	PACKAGE
LCY-7MR	7.0	1.6	1.0~1.6	1000

3-28-2



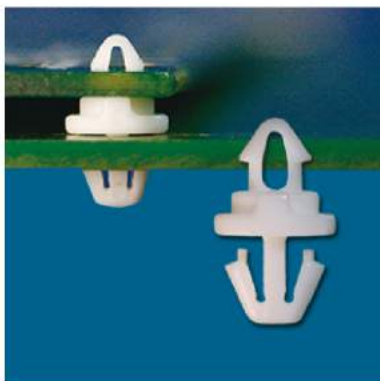
P.C.板間隔柱 SPACER SUPPORT

MATERIAL: NYLON 66(UL)
FLAME CLASS: 94V-2
COLOR: NATURAL



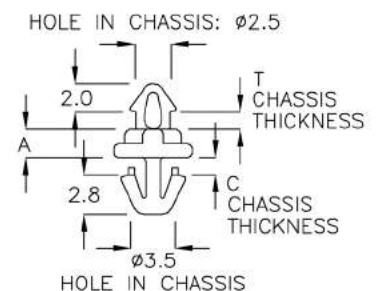
PART NO	A	T P.C.B. THICKNESS	C P.C.B. THICKNESS	PACKAGE
LCY-7SA	7.0	1.6	1.0~1.6	1000

3-28-3



P.C.板間隔柱 SPACER SUPPORT

MATERIAL: NYLON 66(UL)
FLAME CLASS: 94V-2
COLOR: NATURAL

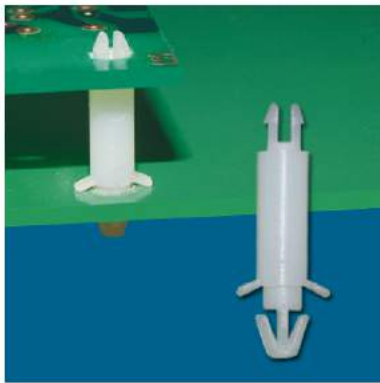


PART NO	A	T CHASSIS THICKNESS	C CHASSIS THICKNESS	PACKAGE
MEH-02	2.0	1.0	1.0	2000

P.C.板間隔柱 SPACER SUPPORT

PINGOOD

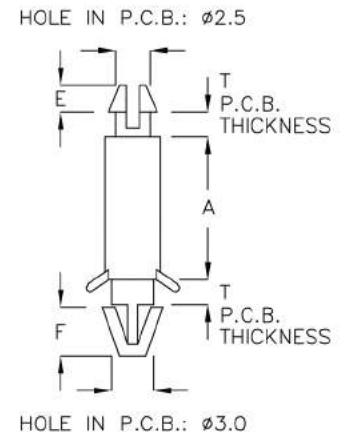
3-29-1



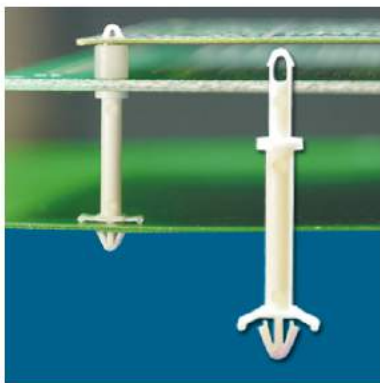
P.C.板間隔柱 SPACER SUPPORT

MATERIAL: NYLON 66(UL)
FLAME CLASS: 94V-2
COLOR: NATURAL

PART NO	A	T P.C.B. THICKNESS	E	F	PACKAGE
LCA2-5	5.0	1.0~1.7	1.7	3.3	2000
LCA2-8	7.7	1.0~1.7	1.7	3.3	
LCA2-9	9.0	1.0~1.7	1.7	3.3	
LCA2-10	10.0	1.0~1.7	1.7	3.3	
LCA2-12	12.0	1.0~1.7	1.7	3.3	
LCA2-14	14.0	1.0~1.7	1.6	3.3	
LCA2-16	15.8	1.0~1.7	1.7	3.3	



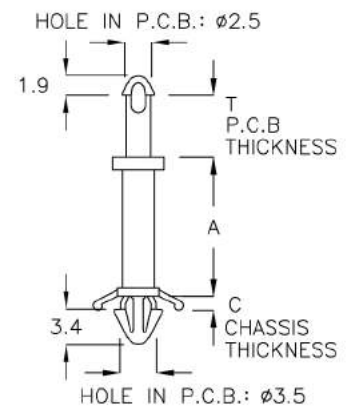
3-29-2



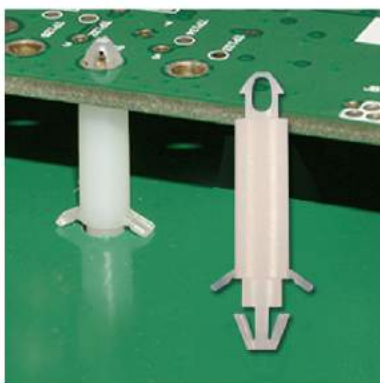
P.C.板間隔柱 SPACER SUPPORT

MATERIAL: NYLON 66(UL)
FLAME CLASS: 94V-2
COLOR: NATURAL, BLACK

PART NO	A	T P.C.B. THICKNESS	C CHASSIS THICKNESS	PACKAGE
LCJ-19	19.0	7.4	0.3~0.6	500



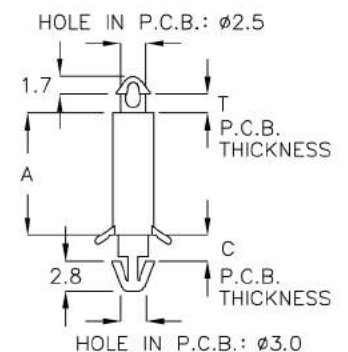
3-29-3



P.C.板間隔柱 SPACER SUPPORT

MATERIAL: NYLON 66(UL)
FLAME CLASS: 94V-2
COLOR: NATURAL

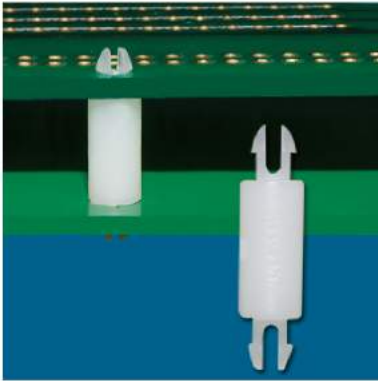
PART NO	A	T P.C.B. THICKNESS	C P.C.B. THICKNESS	PACKAGE
LCR-11A	11.6	1.6	2.0	1000



P.C.板間隔柱 SPACER SUPPORT

PINGOOD

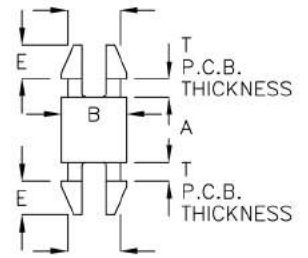
3-30-1



P.C.板間隔柱 SPACER SUPPORT

MATERIAL: NYLON 66(UL)
FLAME CLASS: 94V-2
COLOR: NATURAL

HOLE IN P.C.B.: $\phi 2.5$



HOLE IN P.C.B.: $\phi 2.5$

PART NO	A	B	T P.C.B. THICKNESS	E	PACKAGE
UCF-03	3.0	$\phi 3.0$	0.8	1.5	2000
UCF-9H	9.5	$\phi 4.5$	1.6	1.8	1000

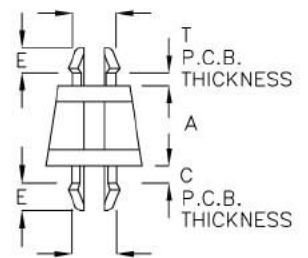
3-30-2



P.C.板間隔柱 SPACER SUPPORT

MATERIAL: NYLON 66(UL)
FLAME CLASS: 94V-2
COLOR: NATURAL

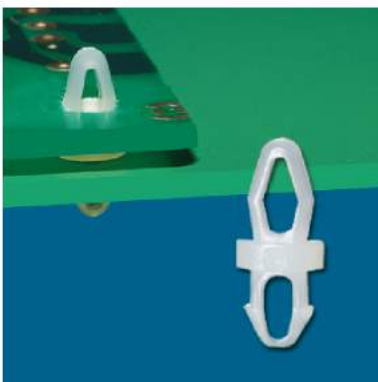
HOLE IN P.C.B.: $\phi 2.7$



HOLE IN P.C.B.: $\phi 2.8$

PART NO	A	T P.C.B. THICKNESS	C P.C.B. THICKNESS	E	PACKAGE
UCC-05	5.0	0.8	1.0	1.6	2000

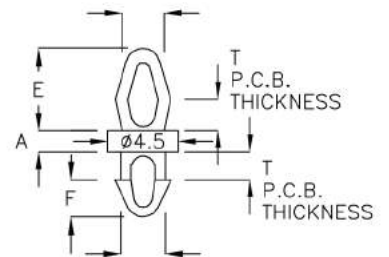
3-30-3



P.C.板間隔柱 SPACER SUPPORT

MATERIAL: NYLON 66(UL)
FLAME CLASS: 94V-2
COLOR: NATURAL

HOLE IN P.C.B.: $\phi 3.0$



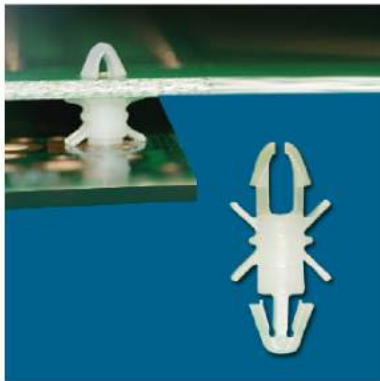
HOLE IN P.C.B.: $\phi 3.0$

PART NO	A	T P.C.B. THICKNESS	E	F	PACKAGE
MCM-2A	1.4	1.4~1.6	5.4	2.4	2000
MCM-02	2.0	1.4~1.6	5.3	2.4	

P.C.板間隔柱 SPACER SUPPORT

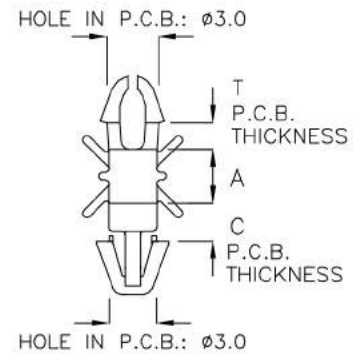
PINGOOD

3-31-1



P.C.板間隔柱 SPACER SUPPORT

MATERIAL: NYLON 66(UL)
FLAME CLASS: 94V-2
COLOR: NATURAL



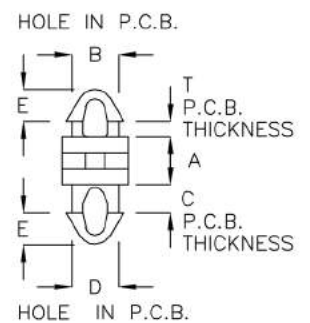
PART NO	A	T P.C.B. THICKNESS	C P.C.B. THICKNESS	PACKAGE
LCX-3A	3.25	0.8~1.0	1.4~1.6	2000

3-31-2



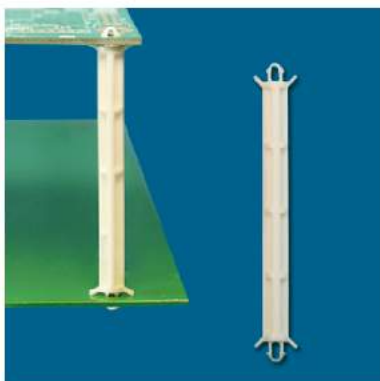
P.C.板間隔柱 SPACER SUPPORT

MATERIAL: NYLON 66(UL)
FLAME CLASS: 94V-2
COLOR: NATURAL



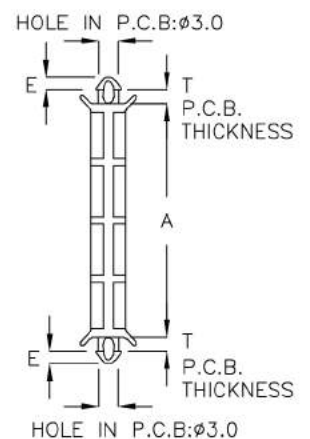
PART NO	A	B	D	T P.C.B. THICKNESS	C P.C.B. THICKNESS	E	PACKAGE
MCL-03	3.0	ø3.0	ø3.0	0.8	1.6	2.1	2000
MCL-18	18.0	ø1.5	ø1.5	1.0	1.0	2.2	

3-31-3



P.C.板間隔柱 SPACER SUPPORT

MATERIAL: NYLON 66(UL)
FLAME CLASS: 94V-2
COLOR: NATURAL

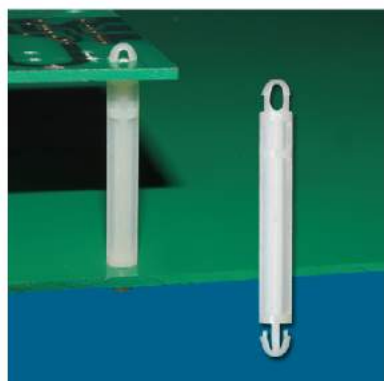


PART NO	A	E	T P.C.B. THICKNESS	PACKAGE
DMK-49J	49.6	1.8	1.6	500

P.C.板間隔柱 SPACER SUPPORT

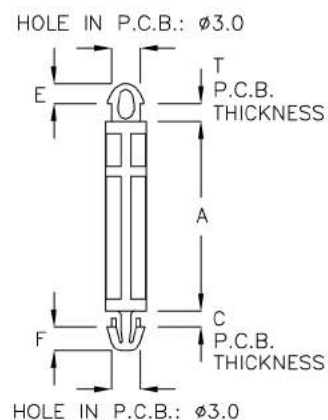
PINGOOD

3-32-1



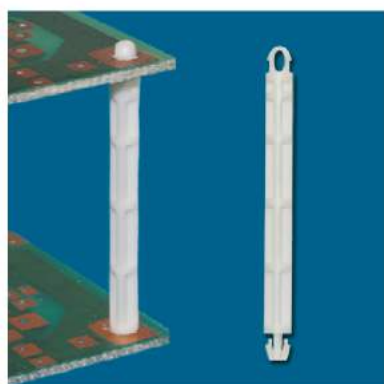
P.C.板間隔柱 SPACER SUPPORT

MATERIAL: NYLON 66(UL)
FLAME CLASS: 94V-2
COLOR: NATURAL



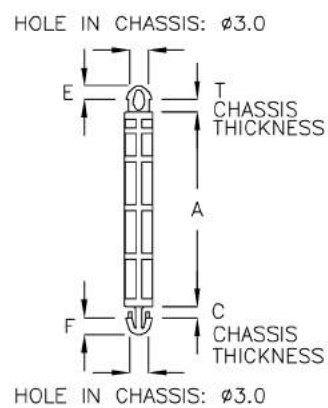
PART NO	A	T P.C.B. THICKNESS	C P.C.B. THICKNESS	E	F	PACKAGE
MCY-25	25.0	1.4 ~ 1.6	1.0 ~ 1.2	2.0	2.4	500
MCY-26A	26.8	1.4 ~ 1.6	1.0 ~ 1.2	2.0	2.4	

3-32-2



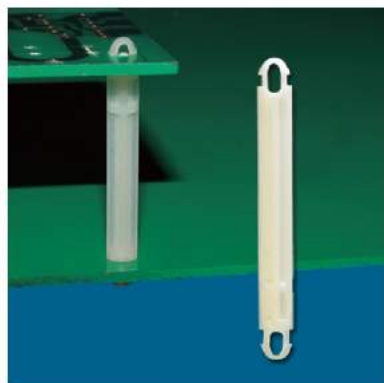
P.C.板間隔柱 SPACER SUPPORT

MATERIAL: NYLON 66(UL)
FLAME CLASS: 94V-2
COLOR: NATURAL



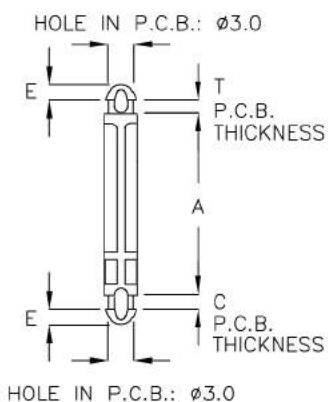
PART NO	A	T P.C.B. THICKNESS	C P.C.B. THICKNESS	E	F	PACKAGE
MCY-36P	36.5	1.6	1.2	2.0	2.4	500

3-32-3



P.C.板間隔柱 SPACER SUPPORT

MATERIAL: NYLON 66(UL)
FLAME CLASS: 94V-2
COLOR: NATURAL

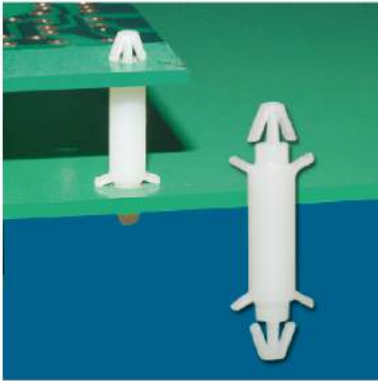


PART NO	A	T P.C.B. THICKNESS	C P.C.B. THICKNESS	E	PACKAGE
MCH-28A	28.2	1.0 ~ 1.2	1.4 ~ 1.6	1.9	500

P.C.板間隔柱 SPACER SUPPORT

PINGOOD

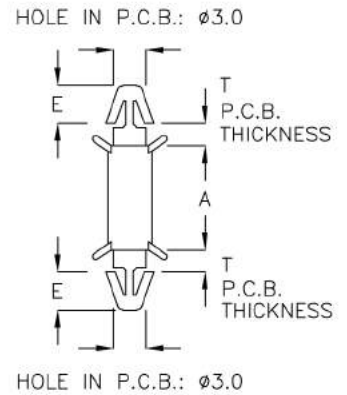
3-33-1



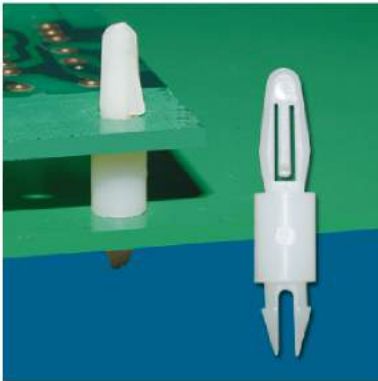
P.C.板間隔柱 SPACER SUPPORT

MATERIAL: NYLON 66(UL)
FLAME CLASS: 94V-2
COLOR: NATURAL

PART NO	A	T P.C.B. THICKNESS	E	PACKAGE
LCA3-3A	3.1	1.0~1.7	3.2	2000
LCA3-3	3.2	1.0~1.7	3.2	
LCA3-7	6.8	1.6~1.9	3.2	
LCA3-11	11.5	1.0~1.6	3.2	1000
LCA3-15	15.2	1.0~1.6	3.2	
LCA3-20	19.8	1.0~1.8	3.2	
LCA3-25	25.0	1.6~1.7	3.2	



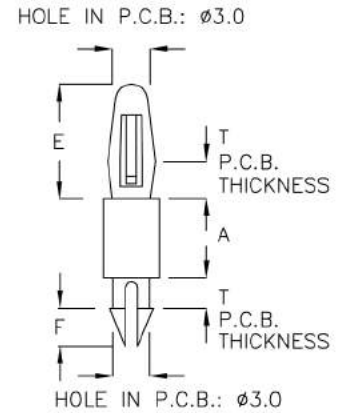
3-33-2



P.C.板間隔柱 SPACER SUPPORT

MATERIAL: NYLON 66(UL)
FLAME CLASS: 94V-2
COLOR: NATURAL

PART NO	A	T P.C.B. THICKNESS	E	F	PACKAGE
MCB3-6	6.35	1.2~1.7	9.1	3.3	2000
MCB3-12	12.7	1.2~1.7	9.1	3.3	1000



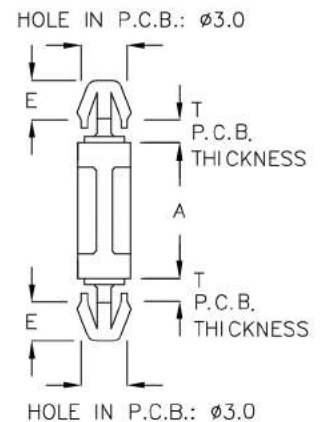
3-33-3



P.C.板間隔柱 SPACER SUPPORT

MATERIAL: NYLON 66(UL)
FLAME CLASS: 94V-2
COLOR: NATURAL

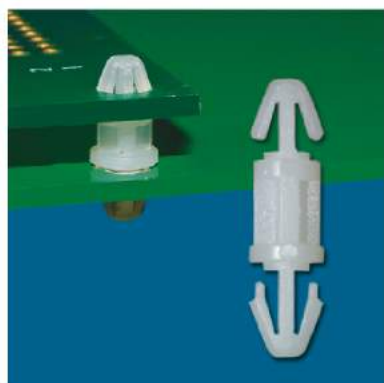
PART NO	A	T P.C.B. THICKNESS	E	PACKAGE
MCF-2A	2.5	1.2~1.8	3.6	2000
MCF-03	3.0	1.2~1.8	3.7	
MCF-3M	3.5	1.2~1.8	3.6	
MCF-04	4.0	1.2~1.8	3.7	
MCF-4M	4.5	1.2~1.8	3.6	
MCF-05	5.0	1.2~1.8	3.7	
MCF-5M	5.5	1.2~1.8	3.6	
MCF-6	6.35	1.2~1.8	3.7	
MCF-07	7.0	1.2~1.8	3.7	
MCF-8	8.0	1.2~1.8	3.7	
MCF-09	9.0	1.2~2.0	3.6	
MCF-10	9.7	1.2~1.8	3.7	1000
MCF-12	12.7	1.2~1.8	3.7	
MCF-57	57.0	1.4~1.6	3.5	500



P.C.板間隔柱 SPACER SUPPORT

PINGOOD

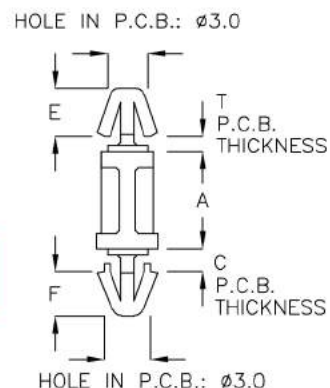
3-34-1



P.C.板間隔柱 SPACER SUPPORT

MATERIAL: NYLON 66(UL)
FLAME CLASS: 94V-2
COLOR: NATURAL

PART NO	A	T P.C.B. THICKNESS	C P.C.B. THICKNESS	E	F	PACKAGE
MCF-6A	6.0	0.8~1.0	1.2~1.7	3.6	3.6	2000
MCF-3RK	3.1	1.0~1.35	1.5~1.7	3.5	2.5	



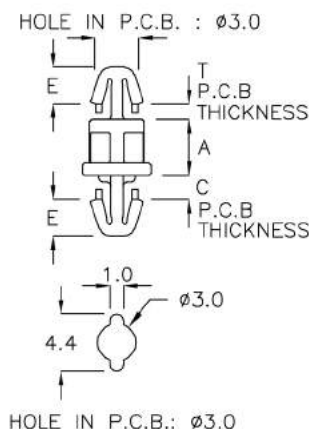
3-34-2



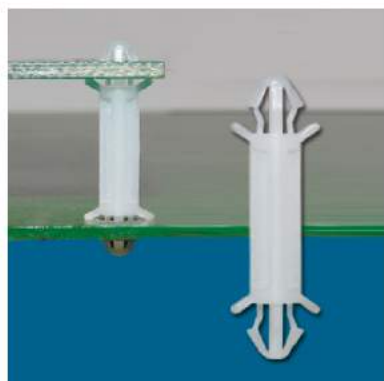
P.C.板間隔柱 SPACER SUPPORT

MATERIAL: NYLON 66(UL)
FLAME CLASS: 94V-2
COLOR: NATURAL

PART NO	A	T P.C.B. THICKNESS	C P.C.B. THICKNESS	E	PACKAGE
MQY-4MA	4.3	0.8~1.0	1.4~1.6	2.8	2000



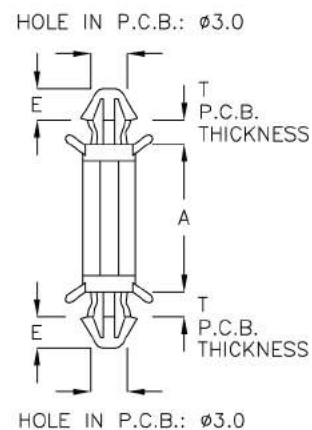
3-34-3



P.C.板間隔柱 SPACER SUPPORT

MATERIAL: NYLON 66(UL)
FLAME CLASS: 94V-2
COLOR: NATURAL

PART NO	A	T P.C.B. THICKNESS	E	PACKAGE
LTA3-10M	10.5	1.2~1.6	2.5	1000
LTA3-12	12.0	1.2~1.6	2.5	
LTA3-13	13.0	1.2~1.6	2.5	
LTA3-18M	18.3	1.2~1.6	2.5	
LTA3-36A	36.8	0.8~1.8	2.5	500
LTA3-40	40.0	1.2~1.6	2.5	



P.C.板間隔柱 SPACER SUPPORT

PINGOOD

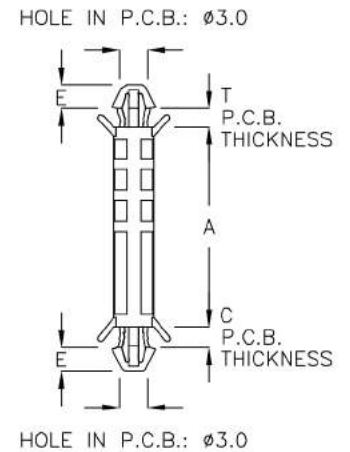
3-35-1



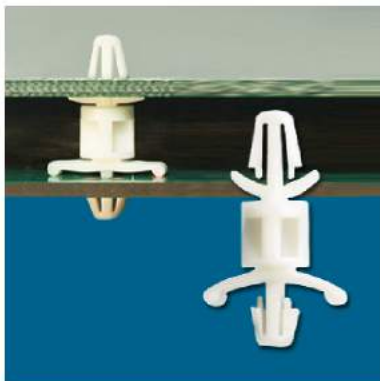
P.C.板間隔柱 SPACER SUPPORT

MATERIAL: NYLON 66(UL)
FLAME CLASS: 94V-2
COLOR: NATURAL

PART NO	A	T P.C.B. THICKNESS	C P.C.B. THICKNESS	E	PACKAGE
LTA3-40A	40.8	1.2~1.6	1.4~1.6	2.4	1000
LTA3-41A	41.5	1.2~1.6	1.4~1.8	2.4	



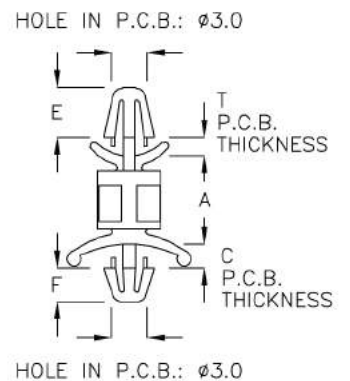
3-35-2



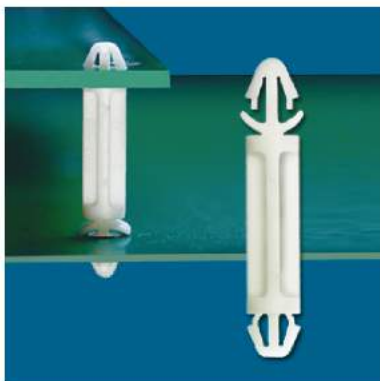
P.C.板間隔柱 SPACER SUPPORT

MATERIAL: NYLON 66(UL)
FLAME CLASS: 94V-2
COLOR: NATURAL

PART NO	A	T P.C.B. THICKNESS	C P.C.B. THICKNESS	E	F	PACKAGE
LBD-7A	7.65	0.8~1.0	1.4~1.6	4.0	2.7	1000



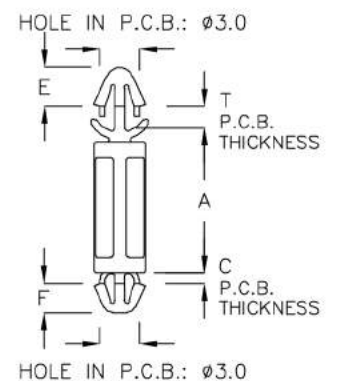
3-35-3



P.C.板間隔柱 SPACER SUPPORT

MATERIAL: NYLON 66(UL)
FLAME CLASS: 94V-2
COLOR: NATURAL

PART NO	A	T P.C.B. THICKNESS	C P.C.B. THICKNESS	E	F	PACKAGE
MQF-14DC	14.4	1.2~1.6	0.6	3.05	2.35	1000

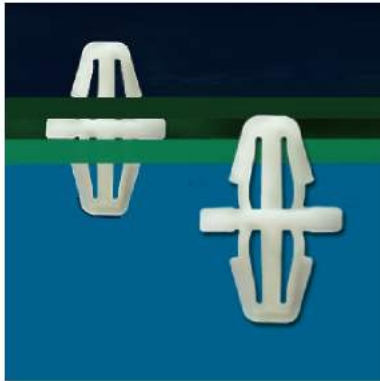


P.C.板間隔柱 SPACER SUPPORT

PINGOOD

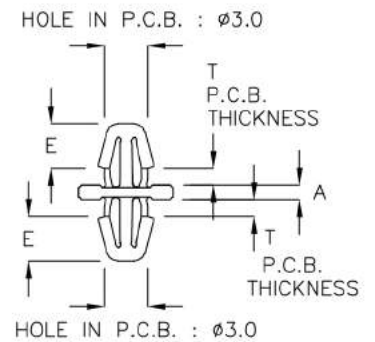
3-36-1

P.C.板間隔柱 SPACER SUPPORT

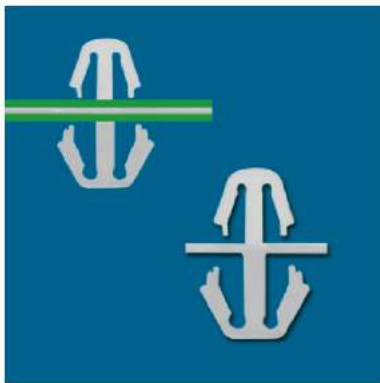


MATERIAL: NYLON 66(UL)
FLAME CLASS: 94V-2
COLOR: NATURAL

PART NO	A	T CHASSIS THICKNESS	E	PACKAGE
MCQ-1AT	1.0	1.0	3.1	2000

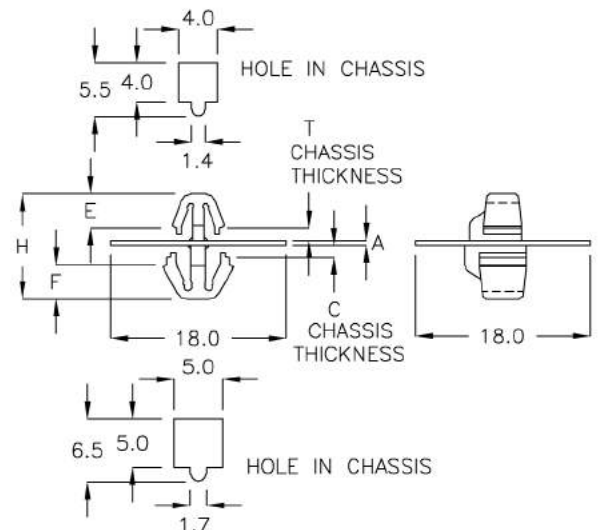


P.C.板間隔柱 SPACER SUPPORT

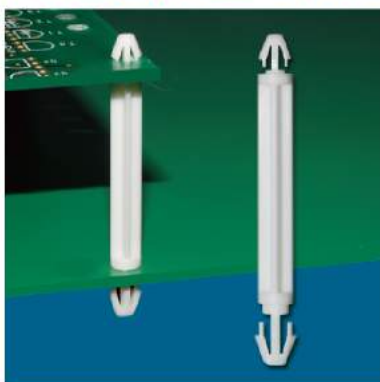


MATERIAL:
NYLON 66(UL)
FLAME CLASS: 94V-2
COLOR: NATURAL

PART NO	A	T CHASSIS THICKNESS	C CHASSIS THICKNESS	E	F	H	PACKAGE
MCI-1GS	0.5	1.0	1.0~1.5	3.5	3.5	10.8	1000
MCI-1JR	0.5	0.5	1.0~1.5	3.5	3.5	10.1	

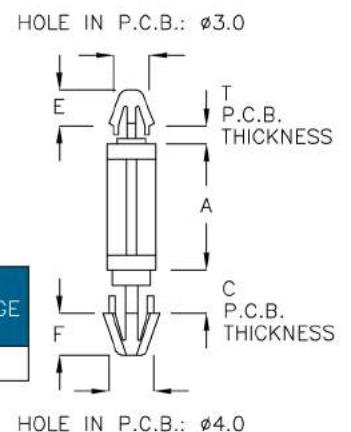


P.C.板間隔柱 SPACER SUPPORT



MATERIAL: NYLON 66(UL)
FLAME CLASS: 94V-2
COLOR: NATURAL

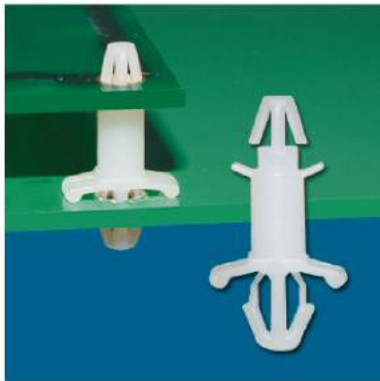
PART NO	A	T P.C.B. THICKNESS	C P.C.B. THICKNESS	E	F	PACKAGE
MCN-31	31.0	1.2~1.6	3.6~4.0	3.5	4.1	1000



P.C.板間隔柱 SPACER SUPPORT

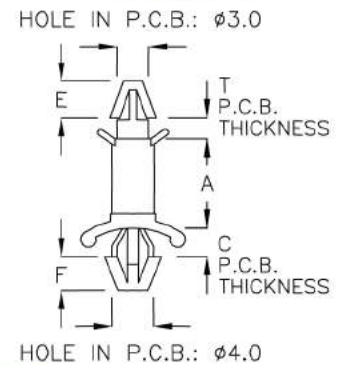
PINGOOD

3-37-1



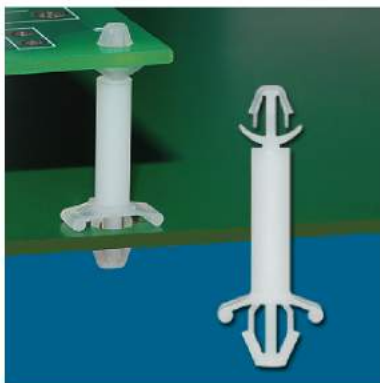
P.C.板間隔柱 SPACER SUPPORT

MATERIAL: NYLON 66(UL)
FLAME CLASS: 94V-2
COLOR: NATURAL



PART NO	A	T P.C.B. THICKNESS	C P.C.B. THICKNESS	E	F	PACKAGE
LCB3-8	7.4	0.8~1.7	0.8~2.0	3.5	3.5	1000
LCB3-10	10.0	0.8~1.7	0.8~2.0	3.5	3.5	
★LCB3-13	13.0	1.2~1.6	0.8~1.8	3.5	3.3	

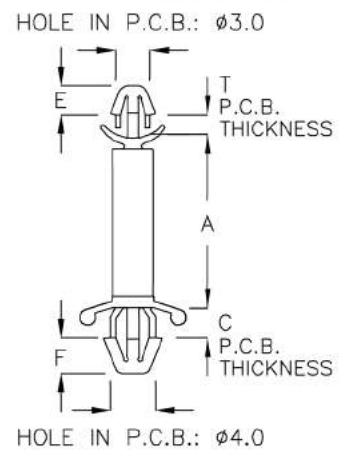
3-37-2



P.C.板間隔柱 SPACER SUPPORT

MATERIAL: NYLON 66(UL)
FLAME CLASS: 94V-2
COLOR: NATURAL

NEW



PART NO	A	T P.C.B. THICKNESS	C P.C.B. THICKNESS	E	F	PACKAGE
★LCBA-15L	16.4	0.8~1.8	1.2~2.0	2.8	3.4	1000

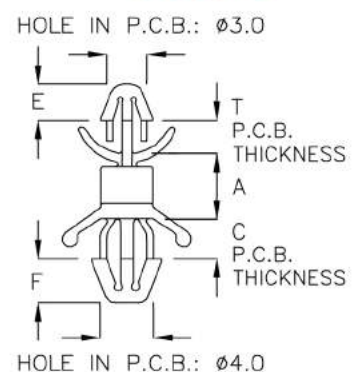
3-37-3



P.C.板間隔柱 SPACER SUPPORT

MATERIAL: NYLON 66(UL)
FLAME CLASS: 94V-2
COLOR: NATURAL

NEW

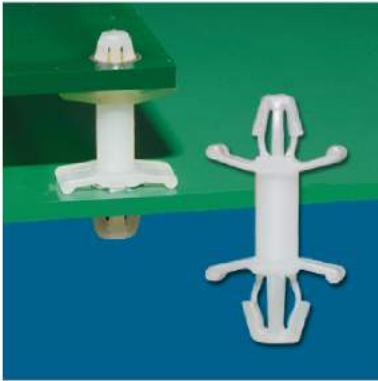


PART NO	A	T P.C.B. THICKNESS	C P.C.B. THICKNESS	E	F	PACKAGE
★LBCM-5GA	5.0	0.8~2.0	1.2~2.6	2.8	3.4	1000

P.C.板間隔柱 SPACER SUPPORT

PINGOOD

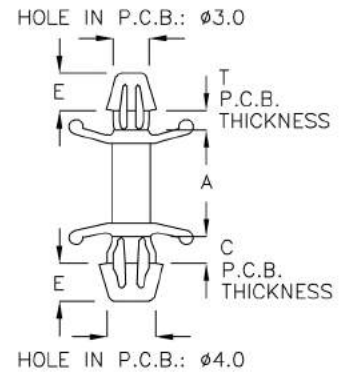
3-38-1



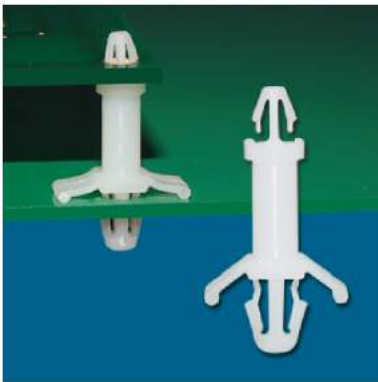
P.C.板間隔柱 SPACER SUPPORT

MATERIAL: NYLON 66(UL)
FLAME CLASS: 94V-2
COLOR: NATURAL

PART NO	A	T P.C.B. THICKNESS	C P.C.B. THICKNESS	E	PACKAGE
LCH-6A	6.6	0.6~1.0	1.6~1.8	3.1	1000
LCH-8A	8.6	0.6~1.0	1.6~1.8	3.1	



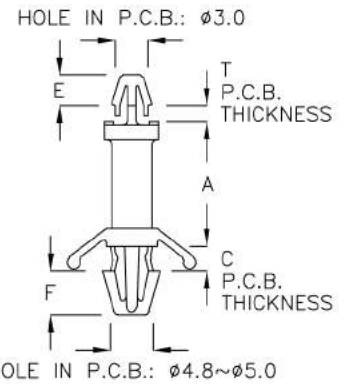
3-38-2



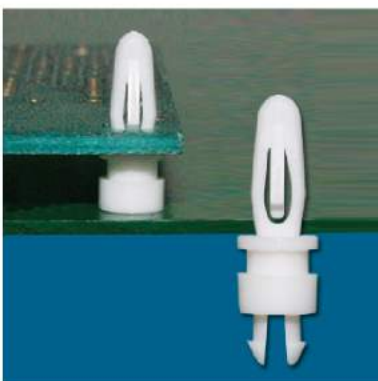
P.C.板間隔柱 SPACER SUPPORT

MATERIAL: NYLON 66(UL)
FLAME CLASS: 94V-2
COLOR: NATURAL

PART NO	A	T P.C.B. THICKNESS	C P.C.B. THICKNESS	E	F	PACKAGE
MQC-14	13.9	1.4~1.6	0.8~2.0	3.5	5.1	1000



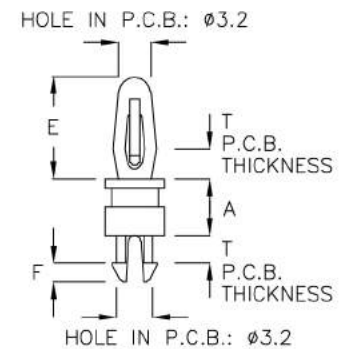
3-38-3



P.C.板間隔柱 SPACER SUPPORT

MATERIAL: NYLON 66(UL)
FLAME CLASS: 94V-2
COLOR: NATURAL

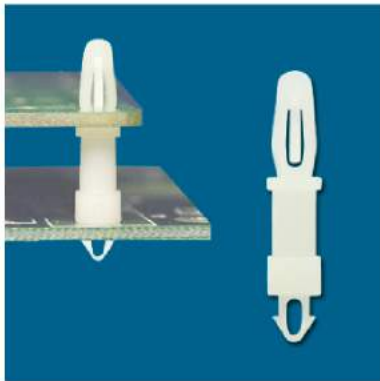
PART NO	A	T P.C.B. THICKNESS	C P.C.B. THICKNESS	E	F	PACKAGE
MCX-4A	4.8	1.4~1.6	1.4~1.6	8.7	1.6	2000
★ MCX-4GR	4.0	1.4~1.6	0.8~1.0	8.7	1.6	



P.C.板間隔柱 SPACER SUPPORT

PINGOOD

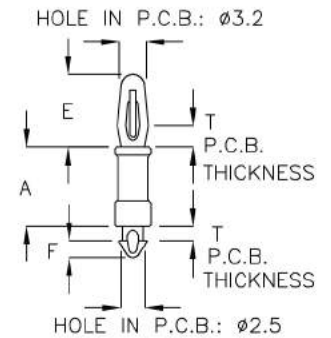
3-39-1



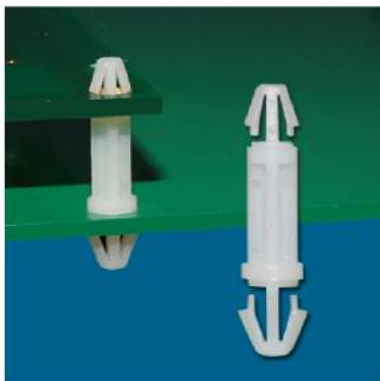
P.C.板間隔柱 SPACER SUPPORT

MATERIAL: NYLON 66(UL)
FLAME CLASS: 94V-2
COLOR: NATURAL

PART NO	A	T P.C.B. THICKNESS	E	F	PACKAGE
MCX-9C	9.5	1.4 ~ 1.6	8.7	2.0	2000



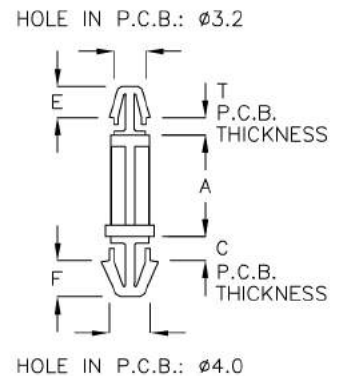
3-39-2



P.C.板間隔柱 SPACER SUPPORT

MATERIAL: NYLON 66(UL)
FLAME CLASS: 94V-2
COLOR: NATURAL

PART NO	A	T P.C.B. THICKNESS	C P.C.B. THICKNESS	E	F	PACKAGE
MCZ-10A	10.5	1.4~1.6	2.1~2.3	3.3	3.7	2000
MCZ-10MR	10.45	1.4~1.6	1.8~2.0	3.1	2.7	



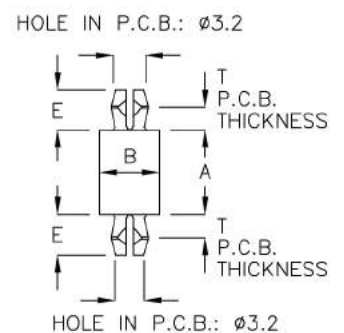
3-39-3



P.C.板間隔柱 SPACER SUPPORT

MATERIAL: NYLON 66(UL)
FLAME CLASS: 94V-2
COLOR: NATURAL

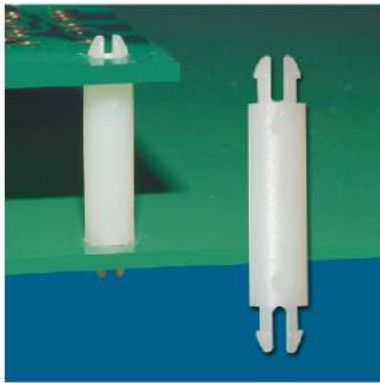
PART NO	A	B	T P.C.B. THICKNESS	E	PACKAGE
MCP-7A	7.9	$\phi 5.6$	1.4 ~ 1.6	3.8	2000



P.C.板間隔柱SPACER SUPPORT

PINGOOD

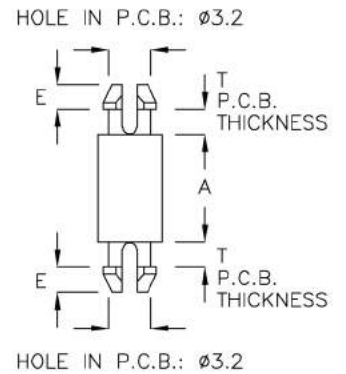
3-40-1



P.C.板間隔柱 SPACER SUPPORT

MATERIAL: NYLON 66(UL)
FLAME CLASS: 94V-2
COLOR: NATURAL

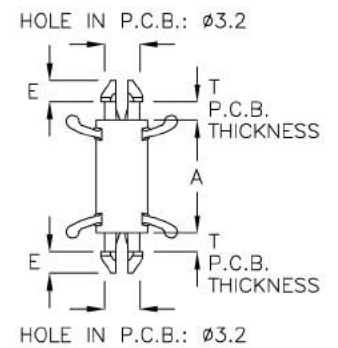
PART NO	A	T P.C.B. THICKNESS	E	PACKAGE
UCD-10A	10.1	1.4 ~ 1.6	1.9	2000
UCD-11A	11.1	1.4 ~ 1.6	1.9	
UCD-16A	15.9	1.4 ~ 1.6	1.9	1000



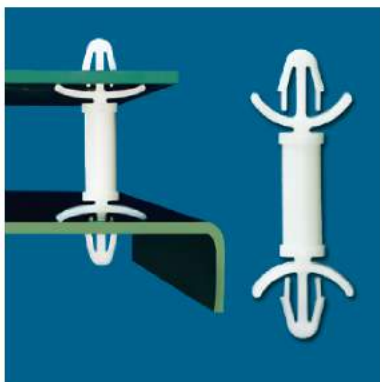
P.C.板間隔柱 SPACER SUPPORT

MATERIAL: NYLON 66(UL)
FLAME CLASS: 94V-2
COLOR: NATURAL, BLACK

PART NO	A	T P.C.B. THICKNESS	E	PACKAGE
UCK-10F	10.1	1.4 ~ 1.6	1.9	2000



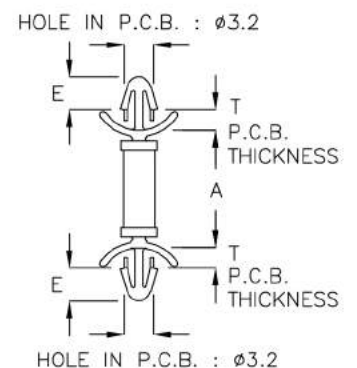
3-40-3



P.C.板間隔柱 SPACER SUPPORT

MATERIAL: NYLON 66(UL)
FLAME CLASS: 94V-2
COLOR: NATURAL

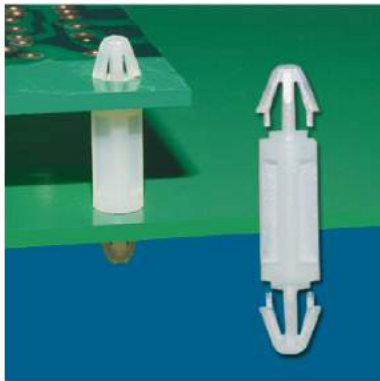
PART NO	A	T P.C.B. THICKNESS	E	PACKAGE
LCS-14D	14.3	0.8~2.0	4.0	1000



P.C.板間隔柱 SPACER SUPPORT

PINGOOD

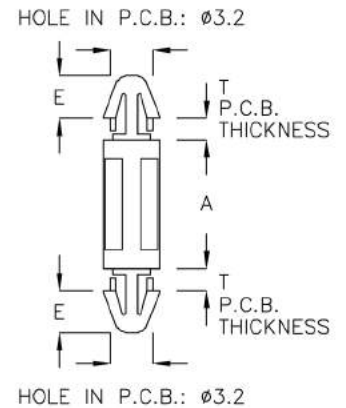
3-41-1



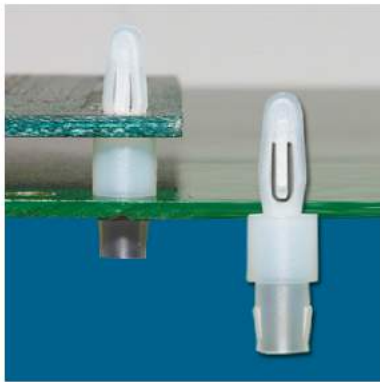
P.C.板間隔柱 SPACER SUPPORT

MATERIAL: NYLON 66(UL)
FLAME CLASS: 94V-2
COLOR: NATURAL

PART NO	A	T P.C.B. THICKNESS	E	PACKAGE
MCU-10	10.3	1.4 ~ 1.6	3.4	2000



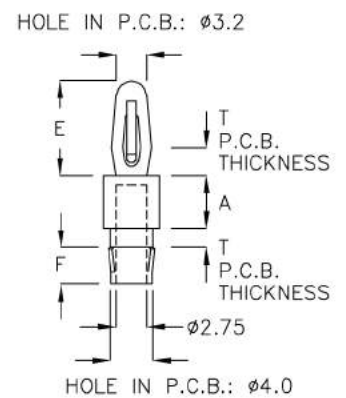
3-41-2



P.C.板間隔柱 SPACER SUPPORT

MATERIAL: NYLON 66(UL)
FLAME CLASS: 94V-2
COLOR: NATURAL

PART NO	A	T P.C.B. THICKNESS	E	F	PACKAGE
TCU-4A	4.8	1.4 ~ 1.6	8.7	3.3	2000



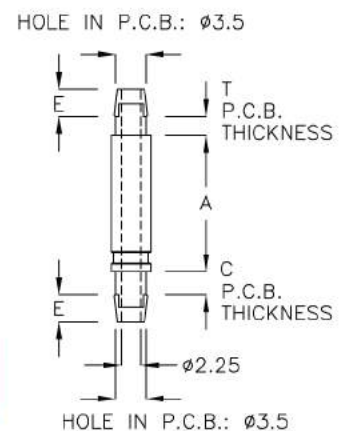
3-41-3



P.C.板間隔柱 SPACER SUPPORT

MATERIAL: NYLON 66(UL)
FLAME CLASS: 94V-2
COLOR: NATURAL

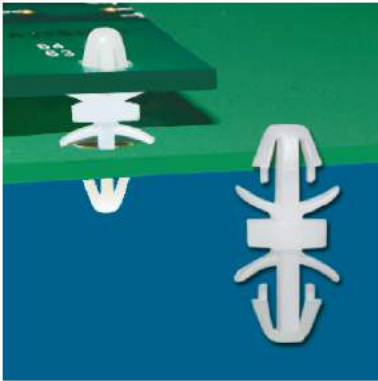
PART NO	A	T P.C.B. THICKNESS	C P.C.B. THICKNESS	E	PACKAGE
LCQ-15A	15.6	1.8 ~ 2.0	2.3 ~ 2.5	3.1	1000



P.C.板間隔柱 SPACER SUPPORT

PINGOOD

3-42-1

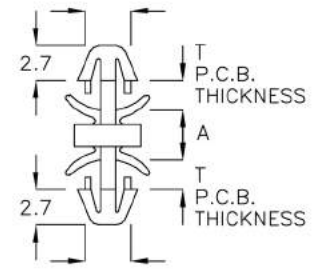


P.C.板間隔柱 SPACER SUPPORT

MATERIAL: NYLON 66(UL)
FLAME CLASS: 94V-2
COLOR: NATURAL

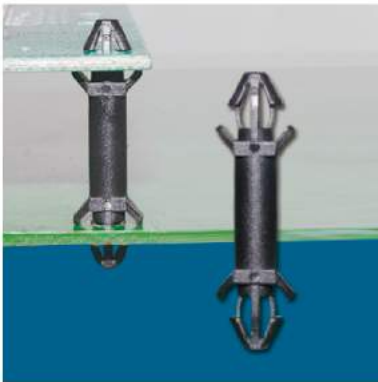
PART NO	A	T P.C.B. THICKNESS	PACKAGE
LBC-4A	5.0	1.2~1.6	1000

HOLE IN P.C.B.: $\phi 3.5$



HOLE IN P.C.B.: $\phi 3.5$

3-42-2

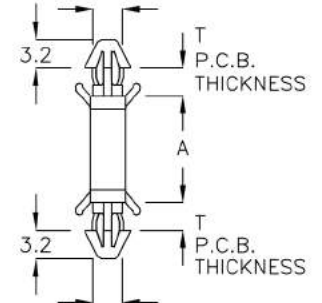


P.C.板間隔柱 SPACER SUPPORT

MATERIAL: NYLON 66(UL)
FLAME CLASS: 94V-2
COLOR: NATURAL, BLACK

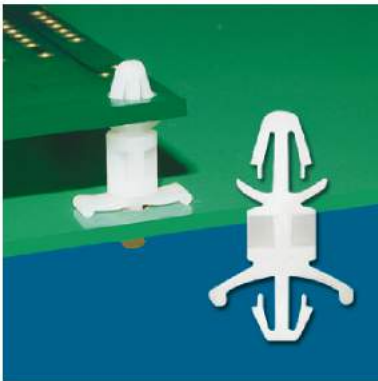
PART NO	A	T P.C.B. THICKNESS	PACKAGE
LCA35-13C	13.6	2.0~2.75	1000

HOLE IN P.C.B.: $\phi 3.5$



HOLE IN P.C.B.: $\phi 3.5$

3-42-3

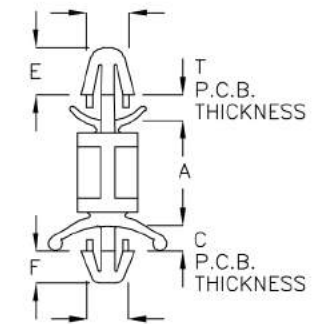


P.C.板間隔柱 SPACER SUPPORT

MATERIAL: NYLON 66(UL)
FLAME CLASS: 94V-2
COLOR: NATURAL

PART NO	A	T P.C.B. THICKNESS	C P.C.B. THICKNESS	E	F	PACKAGE
LBC-03	3.0	1.0~1.6	0.8~1.6	4.0	2.8	1000
LBC-04	4.0	1.0~1.6	0.8~1.6	4.0	2.8	
LBC-5A	5.0	1.0~1.6	0.8~1.6	4.0	2.8	
LBC-05	5.35	1.0~1.6	0.8~1.6	4.0	2.8	
LBC-6A	6.35	1.0~1.6	0.8~1.6	4.0	2.8	
LBC-06	6.75	1.0~1.6	0.8~1.6	4.0	2.8	
LBC-07	7.0	1.0~1.6	0.8~1.6	4.0	2.8	
★ LBC-7A	7.5	1.2~1.7	0.8~1.6	4.0	2.5	
LBC-8A	8.0	1.0~1.6	0.8~1.6	4.0	2.8	
LBC-08	8.35	1.0~1.6	0.8~1.6	4.0	2.8	
LBC-09	9.60	1.0~1.6	0.8~2.0	4.0	2.4	
LBC-11	11.2	1.0~1.6	0.8~2.0	4.0	2.4	
LBC-12	12.7	1.0~1.6	0.8~2.0	4.0	2.4	
LBC-16	16.0	1.0~1.6	0.8~2.0	4.0	2.4	

HOLE IN P.C.B.: $\phi 3.5$

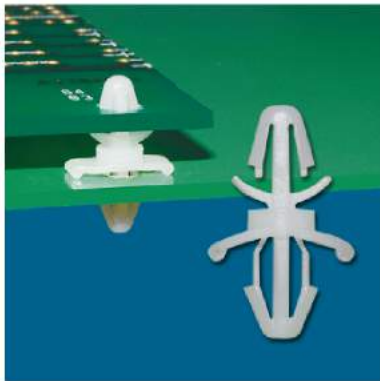


HOLE IN P.C.B.: $\phi 3.5$

P.C.板間隔柱 SPACER SUPPORT

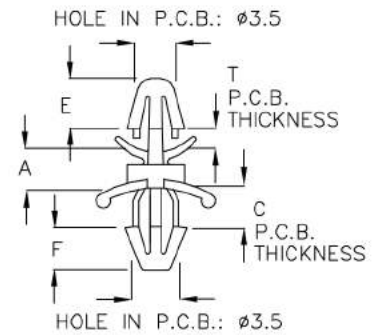
PINGOOD

3-43-1



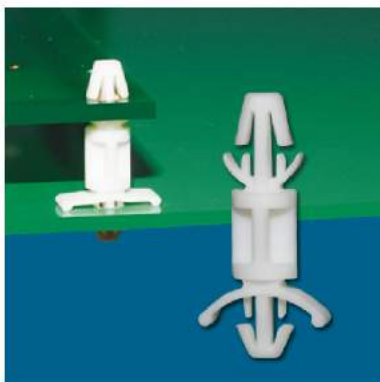
P.C.板間隔柱 SPACER SUPPORT

MATERIAL: NYLON 66(UL)
FLAME CLASS: 94V-2
COLOR: NATURAL



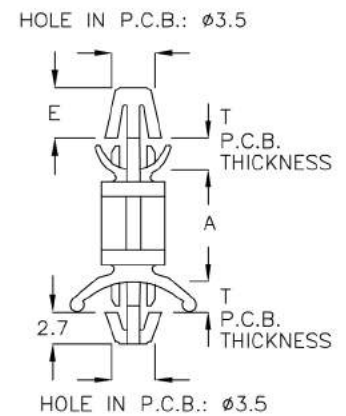
PART NO	A	T P.C.B. THICKNESS	C P.C.B. THICKNESS	E	F	PACKAGE
LBC-3A	3.4	1.0~1.6	2.0~2.4	4.0	3.4	1000

3-43-2



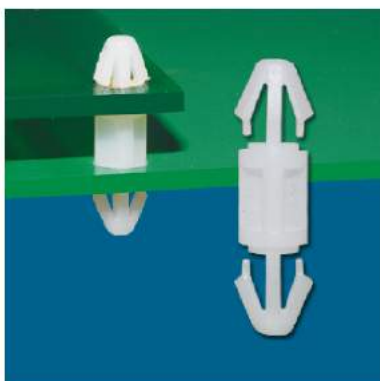
P.C.板間隔柱 SPACER SUPPORT

MATERIAL: NYLON 66(UL)
FLAME CLASS: 94V-2
COLOR: NATURAL



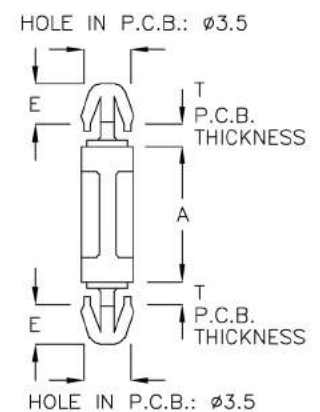
PART NO	A	T P.C.B. THICKNESS	E	PACKAGE
LBC-10	9.6	0.8~1.6	4.0	1000

3-43-3



P.C.板間隔柱 SPACER SUPPORT

MATERIAL: NYLON 66(UL)
FLAME CLASS: 94V-2
COLOR: NATURAL

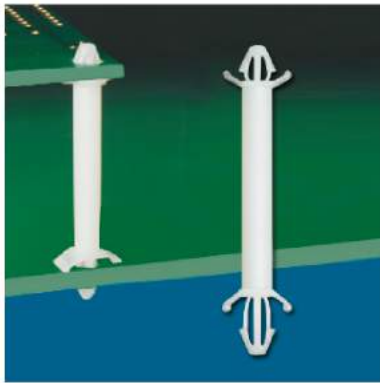


PART NO	A	T P.C.B. THICKNESS	E	PACKAGE
MCE-2A	2.5	1.4~1.8	3.75	2000
MCE-03	3.0	1.4~1.8	3.7	
MCE-3A	3.5	1.4~1.8	3.75	
MCE-4	4.0	1.4~1.8	3.7	
MCE-4A	4.5	1.4~1.8	3.75	
MCE-05	5.0	1.4~1.8	3.7	
MCE-5A	5.5	1.4~1.8	3.75	
MCE-6A	6.0	1.4~1.8	3.75	
MCE-6	6.35	1.4~1.8	3.7	
MCE-07	7.0	1.4~1.8	3.7	
MCE-7A	7.0	1.4~1.8	2.8	
MCE-8	8.0	1.4~1.8	3.7	
MCE-10	9.7	1.4~1.8	3.7	1000
MCE-12	12.7	1.4~1.8	3.7	
MCE-15A	15.0	1.4~1.6	2.8	

P.C.板間隔柱 SPACER SUPPORT

PINGOOD

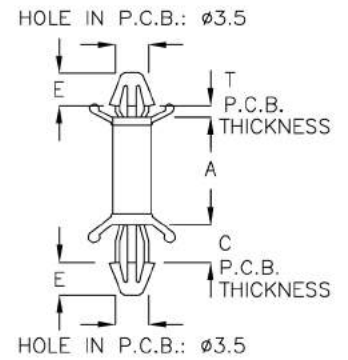
3-44-1



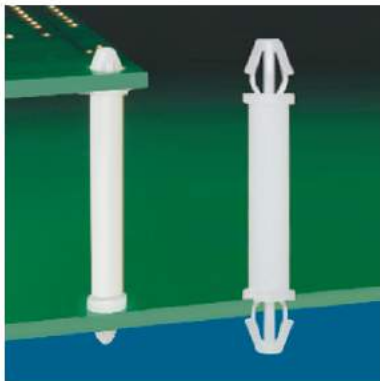
P.C.板間隔柱 SPACER SUPPORT

MATERIAL: NYLON 66(UL)
FLAME CLASS: 94V-2
COLOR: NATURAL

PART NO	A	E	T P.C.B. THICKNESS	C P.C.B. THICKNESS	PACKAGE
LMA-3A	3.6	3.2	0.8~1.6	2.0~2.6	1000
LMA-27	27.5	3.5	0.4~1.1	2.5~3.6	500



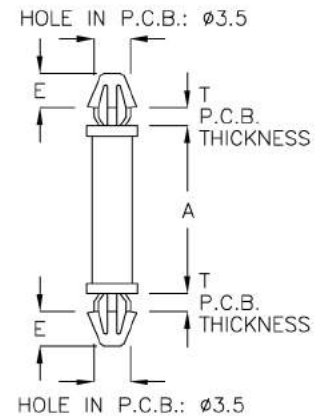
3-44-2



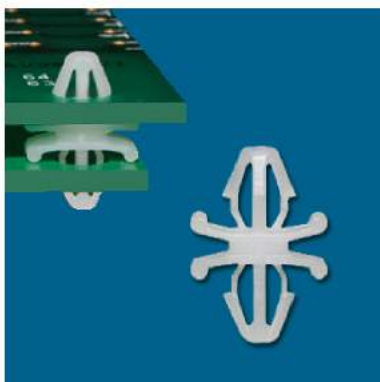
P.C.板間隔柱 SPACER SUPPORT

MATERIAL: NYLON 66(UL)
FLAME CLASS: 94V-2
COLOR: NATURAL

PART NO	A	T P.C.B. THICKNESS	E	PACKAGE
MCW-20	20.0	1.2~1.6	3.4	1000



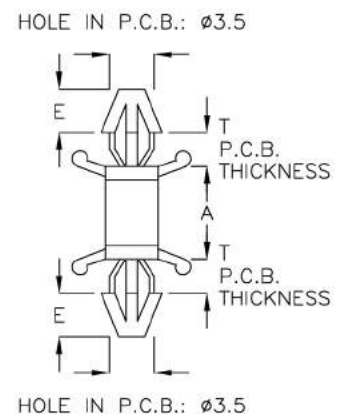
3-44-3



P.C.板間隔柱 SPACER SUPPORT

MATERIAL: NYLON 66(UL)
FLAME CLASS: 94V-2
COLOR: NATURAL

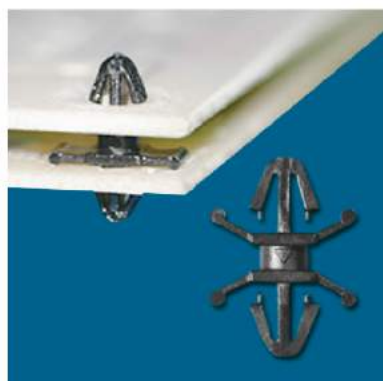
PART NO	A	T P.C.B. THICKNESS	E	PACKAGE
LCA35-3	2.1	0.8~2.0	3.5	1000
LCA35-3A	3.0	0.8~2.0	3.4	
LCA35-3M	3.5	0.8~2.0	3.4	
LCA35-4	4.0	0.8~2.0	3.4	
LCA35-5	4.8	0.8~2.0	3.5	
LCA35-5M	5.5	0.8~2.0	3.4	
LCA35-7	7.0	0.8~2.0	3.5	
LCA35-10	10.0	0.8~2.0	3.5	
LCA35-18	18.0	1.1~1.7	3.5	
LCA35-20	20.0	1.0~1.6	3.5	
LCA35-21	20.8	1.2~1.6	3.5	500
LCA35-25	25.0	1.4~1.6	3.4	



P.C.板間隔柱 SPACER SUPPORT

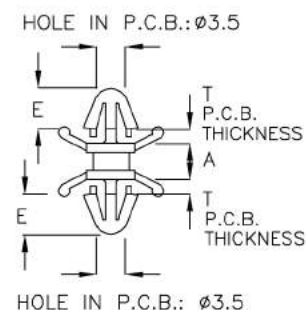
PINGOOD

3-45-1



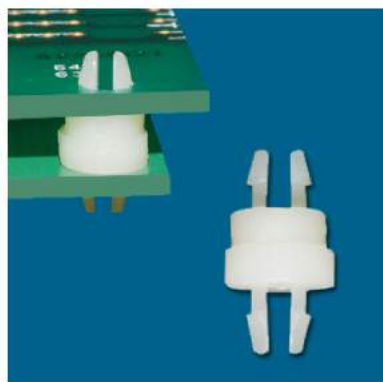
P.C.板間隔柱 SPACER SUPPORT

MATERIAL: NYLON 66(UL)
FLAME CLASS: 94V-2
COLOR: NATURAL, BLACK



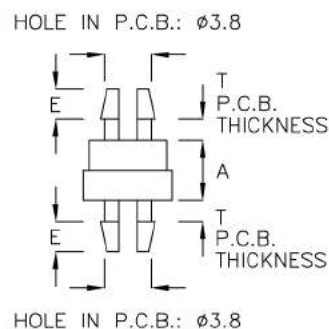
PART NO	A	T P.C.B. THICKNESS	E	PACKAGE
LCA35-3H	3.05	0.3~0.6	3.4	1000

3-45-2



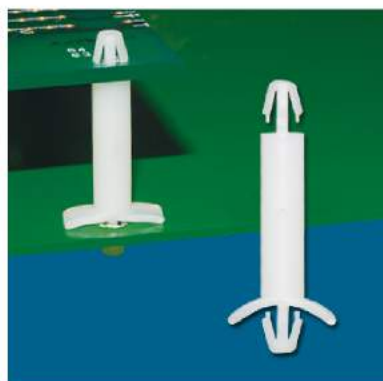
P.C.板間隔柱 SPACER SUPPORT

MATERIAL: NYLON 66(UL)
FLAME CLASS: 94V-2
COLOR: NATURAL



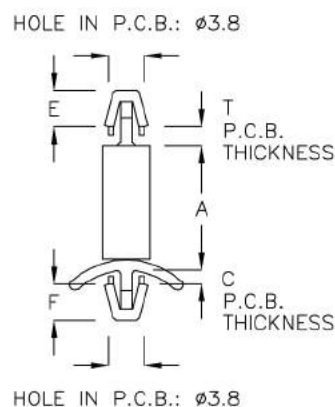
PART NO	A	T P.C.B. THICKNESS	E	PACKAGE
UCB-5A	4.8	1.4 ~ 1.6	2.6	2000

3-45-3



P.C.板間隔柱 SPACER SUPPORT

MATERIAL: NYLON 66(UL)
FLAME CLASS: 94V-2
COLOR: NATURAL



PART NO	A	T P.C.B. THICKNESS	C P.C.B. THICKNESS	E	F	PACKAGE
LCF-18A	17.8	1.4 ~ 1.6	0.6~1.0	3.5	3.6	1000

P.C.板間隔柱 SPACER SUPPORT

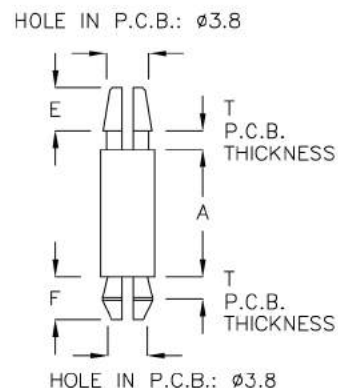
PINGOOD

3-46-1



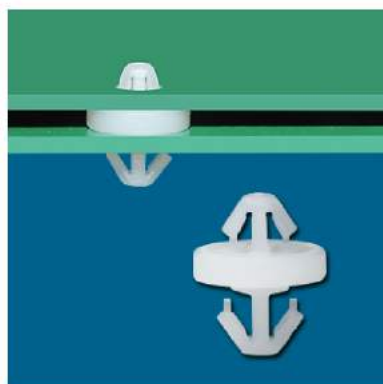
P.C.板間隔柱 SPACER SUPPORT

MATERIAL: NYLON 66(UL)
FLAME CLASS: 94V-2
COLOR: NATURAL



PART NO	A	T P.C.B. THICKNESS	E	F	PACKAGE
MCB-19K	19.0	1.4~1.6	4.0	3.8	1000

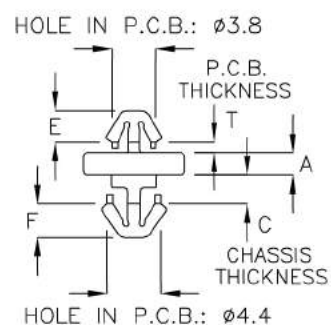
3-46-2



P.C.板間隔柱 SPACER SUPPORT

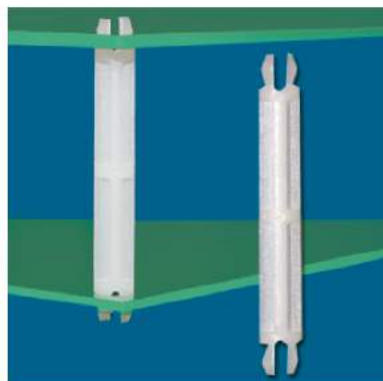
MATERIAL: NYLON 66(UL)
FLAME CLASS: 94V-2
COLOR: NATURAL

NEW



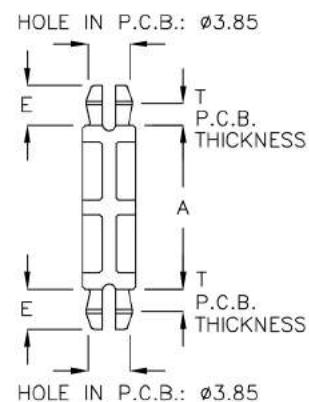
PART NO	A	T P.C.B. THICKNESS	C CHASSIS THICKNESS	E	F	PACKAGE
★ MCQA-2HC	2.0	0.8	2.2	2.8	3.0	2000

3-46-3



P.C.板間隔柱 SPACER SUPPORT

MATERIAL: NYLON 66(UL)
FLAME CLASS: 94V-2
COLOR: NATURAL

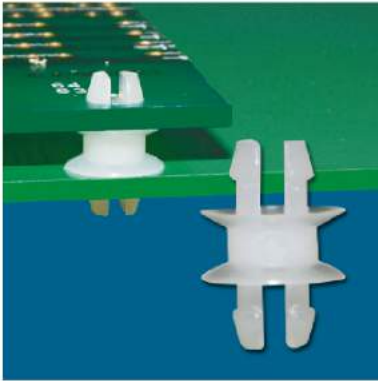


PART NO	A	T P.C.B. THICKNESS	E	PACKAGE
UCH-29AM	29.0	1.0~1.6	3.6	500

P.C.板間隔柱 SPACER SUPPORT

PINGOOD

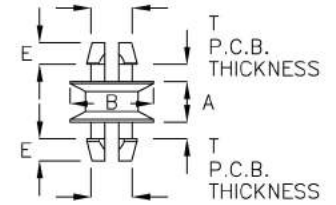
3-47-1



P.C.板間隔柱 SPACER SUPPORT

MATERIAL: NYLON 66(UL)
FLAME CLASS: 94V-2
COLOR: NATURAL

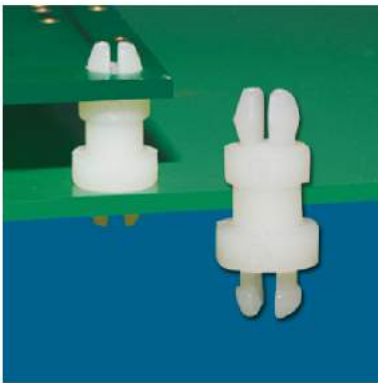
HOLE IN P.C.B.: $\phi 4.0$



HOLE IN P.C.B.: $\phi 4.0$

PART NO	A	B	T P.C.B. THICKNESS	E	PACKAGE
MCR-3A	3.6	$\phi 7.4$	1.4 ~ 1.6	2.0	2000

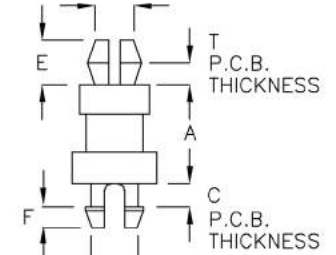
3-47-2



P.C.板間隔柱 SPACER SUPPORT

MATERIAL: NYLON 66(UL)
FLAME CLASS: 94V-2
COLOR: NATURAL

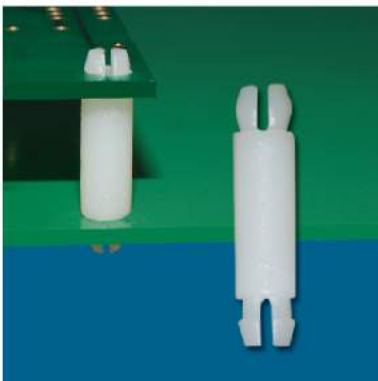
HOLE IN P.C.B.: $\phi 4.0$



HOLE IN P.C.B.: $\phi 4.0$

PART NO	A	T P.C.B. THICKNESS	C P.C.B. THICKNESS	E	F	PACKAGE
MCB-8A	7.9	1.0~1.6	1.4~1.6	3.6	2.0	2000

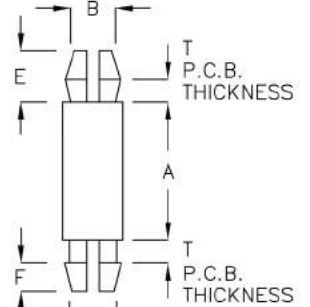
3-47-3



P.C.板間隔柱 SPACER SUPPORT

MATERIAL: NYLON 66(UL)
FLAME CLASS: 94V-2
COLOR: NATURAL

HOLE IN P.C.B.



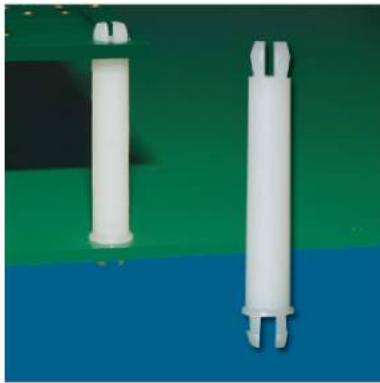
HOLE IN P.C.B.

PART NO	A	B	T P.C.B. THICKNESS	E	F	PACKAGE
MCB-3	3.2	$\phi 4.0$	0.8~1.6	3.6~3.8	2.1	2000
MCB-6	6.35	$\phi 4.0$	0.8~1.6	3.6~3.8	2.3	
MCB-8	8.2	$\phi 4.0$	0.8~1.6	3.6~3.8	2.2	
MCB-10	10.5	$\phi 4.0$	0.8~1.6	3.6~3.8	2.1	
MCB-12	12.7	$\phi 4.0$	0.8~1.6	3.6~3.8	2.2	
MCB-15	15.7	$\phi 4.0$	0.8~1.6	3.6~3.8	2.2	1000
MCB-19	19.1	$\phi 4.0$	0.8~1.6	3.6~3.8	2.2	
MCB-28	28.5	$\phi 3.85$	0.8~1.6	3.6~3.8	1.8	
MCB-30A	30.7	$\phi 3.85$	0.8~1.6	3.6~3.8	1.8	

P.C.板間隔柱 SPACER SUPPORT

PINGOOD

3-48-1

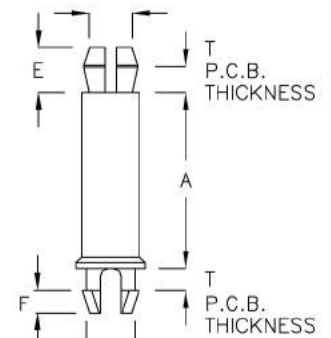


P.C.板間隔柱 SPACER SUPPORT

MATERIAL: NYLON 66(UL)
FLAME CLASS: 94V-2
COLOR: NATURAL

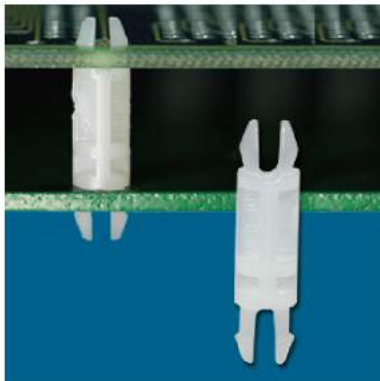
PART NO	A	T P.C.B. THICKNESS	E	F	PACKAGE
MCB-24	24.1	1.2~1.6	3.6	1.9	1000

HOLE IN P.C.B.: $\phi 4.0$



HOLE IN P.C.B.: $\phi 4.0$

3-48-2

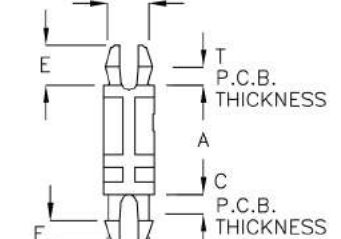


P.C.板間隔柱 SPACER SUPPORT

MATERIAL: NYLON 66(UL)
FLAME CLASS: 94V-2
COLOR: NATURAL

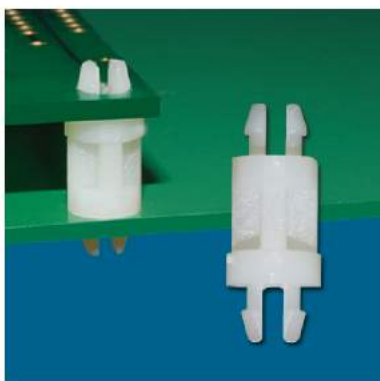
PART NO	A	T P.C.B. THICKNESS	C P.C.B. THICKNESS	E	F	PACKAGE
MCB-10K	10.5	0.8	2.2~2.3	3.8	2.1	2000

HOLE IN P.C.B.: $\phi 4.0$



HOLE IN P.C.B.: $\phi 4.0$

3-48-3

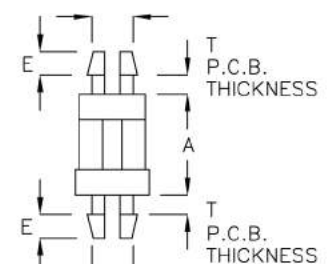


P.C.板間隔柱 SPACER SUPPORT

MATERIAL: NYLON 66(UL)
FLAME CLASS: 94V-2
COLOR: NATURAL

PART NO	A	T P.C.B. THICKNESS	E	PACKAGE
UCB-9M	9.5	1.2~1.6	2.4	1000

HOLE IN P.C.B.: $\phi 4.0$

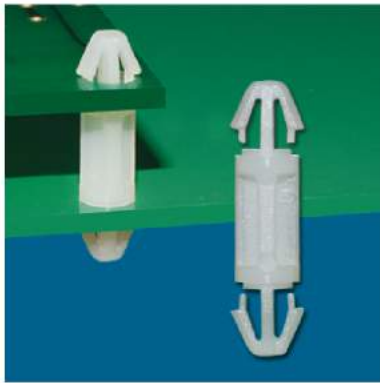


HOLE IN P.C.B.: $\phi 4.0$

P.C.板間隔柱 SPACER SUPPORT

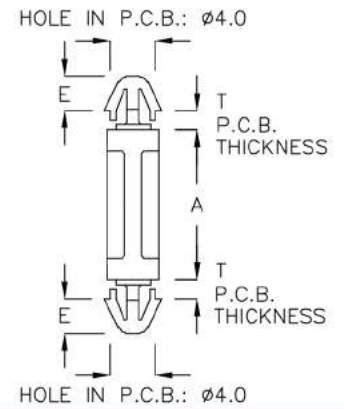
PINGOOD

3-49-1



P.C.板間隔柱 SPACER SUPPORT

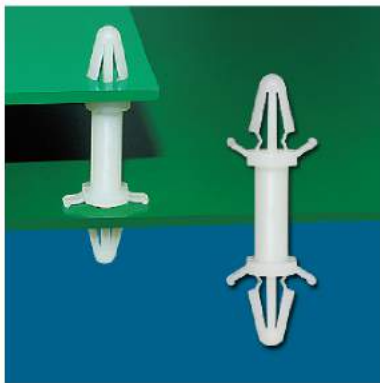
MATERIAL: NYLON 66(UL)
FLAME CLASS: 94V-2
COLOR: NATURAL



PART NO	A	T P.C.B. THICKNESS	E	PACKAGE
KCA-2M	2.5	1.4~1.6	3.0	2000
KCA-3	3.2	1.4~1.6	3.6	
KCA-04	4.0	1.4~1.6	3.8	
KCA-4A	4.5	1.4~1.6	3.6	
KCA-5	5.0	1.4~1.6	3.6	
KCA-5A	5.5	1.4~1.6	3.6	1000
KCA-6	6.35	1.4~1.6	3.6	
KCA-07	7.0	1.4~1.6	3.0	
KCA-7A	7.5	1.4~1.6	3.6	
KCA-8	8.0	1.4~1.6	3.6	
KCA-9	9.5	1.4~1.6	3.6	
KCA-10	10.5	1.4~1.6	3.6	
KCA-11	11.0	1.4~1.6	3.6	
KCA-12	12.7	1.4~1.6	3.6	
KCA-12S	12.7	1.4~1.6	3.2	

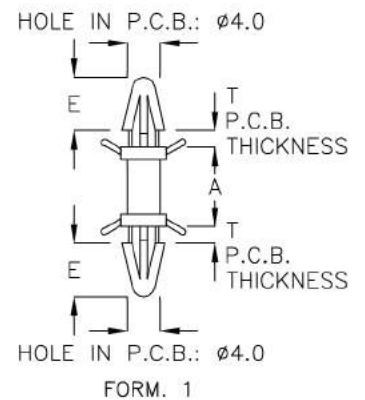
PART NO	A	T P.C.B. THICKNESS	E	PACKAGE
KCA-14	14.0	1.4~1.6	3.0	1000
KCA-15	15.7	1.4~1.6	3.6	
★ KCA-15L	15.9	1.2~1.7	3.0	
KCA-19	19.0	1.4~1.6	3.6	
KCA-20	20.0	1.4~1.6	3.6	
KCA-25	25.0	1.4~1.6	3.7	500
KCA-28A	28.5	1.4~1.6	3.6	
KCA-30	30.0	1.4~1.6	3.7	
KCA-34	34.0	1.4~1.6	3.6	
KCA-34A	34.0	1.4~1.6	3.6	
KCA-40A	40.4	1.4~1.6	3.6	200
KCA-47	47.0	1.4~1.6	3.25	
KCA-69	69.0	1.4~1.6	3.7	
KCA-80	80.0	1.4~1.6	3.0	

3-49-2

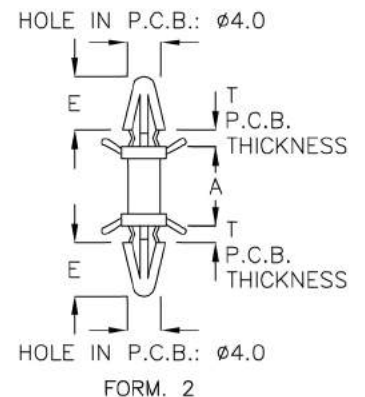


P.C.板間隔柱 SPACER SUPPORT

MATERIAL: NYLON 66(UL)
FLAME CLASS: 94V-2
COLOR: NATURAL



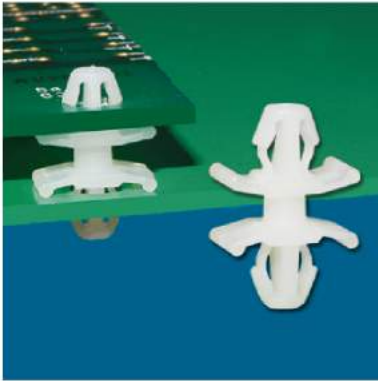
PART NO	A	T P.C.B. THICKNESS	E	FORM	PACKAGE
LCAS-3	3.5	0.8~1.8	7.0	1	1000
LCAS-10	10.5	0.8~1.8	7.0	1	
LCAS-15	14.8	0.8~1.8	7.0	2	
LCAS-16M	16.6	0.8~1.8	7.0	2	
LCAS-44	44.0	0.8~1.8	6.0	2	200
LCAS-48	47.8	0.8~1.8	7.0	2	



P.C.板間隔柱 SPACER SUPPORT

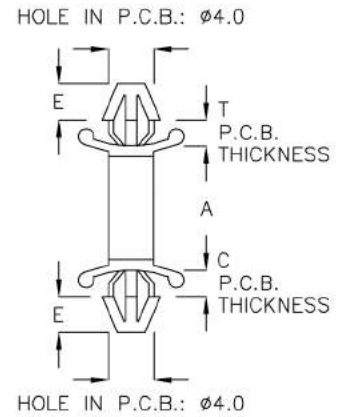
PINGOOD

3-50-1



P.C.板間隔柱 SPACER SUPPORT

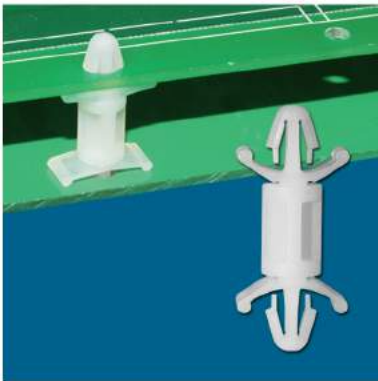
MATERIAL: NYLON 66(UL)
FLAME CLASS: 94V-2
COLOR: NATURAL



PART NO	A	T P.C.B. THICKNESS	C P.C.B. THICKNESS	E	PACKAGE
LCA4-4	4.0	1.0~1.6	1.0~1.6	3.4	1000
LCA4-5	4.9	1.6~1.9	1.6~1.9	3.0	
LCA4-6	6.0	1.0~1.6	1.0~1.6	3.4	
LCA4-7	7.0	1.0~1.6	1.0~1.6	3.4	
LCA4-8	7.1	1.2~1.8	1.2~1.8	3.6	
LCA4-8A	7.6	2.5~3.0	2.5~3.0	2.6	
LCA4-9	8.8	1.6~2.0	1.6~2.0	3.0	
LCA4-10	10.0	1.2~2.0	1.2~2.0	3.6	
LCA4-10A	10.4	1.1~1.8	1.6~3.1	3.6	
LCA4-12	13.1	1.1~2.0	1.1~2.0	3.6	
LCA4-15	15.9	1.1~2.0	1.1~2.0	3.6	
LCA4-16	16.2	1.3~2.2	1.3~2.2	3.6	

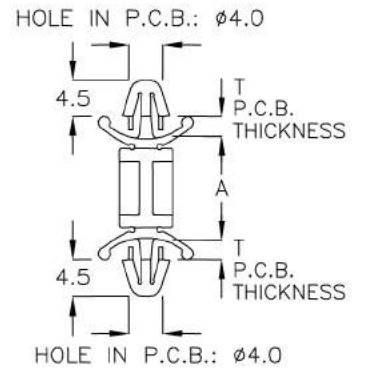
PART NO	A	T P.C.B. THICKNESS	C P.C.B. THICKNESS	E	PACKAGE
LCA4-17	17.2	1.1~2.0	1.1~2.0	3.6	1000
LCA4-20A	19.6	1.1~2.0	1.7~3.5	3.6	500
LCA4-29M	29.5	1.0~1.7	1.0~1.7	3.6	
LCA4-31	30.8	1.0~1.7	1.0~1.7	3.6	
LCA4-34A	34.0	1.1~1.9	1.6~3.1	3.6	
LCA4-34C	34.0	0.8~2.0	1.7~3.5	3.6	
LCA4-36	36.0	2.0~3.0	2.0~3.0	3.6	
LCA4-36A	35.3	2.5~3.8	2.5~3.8	3.6	
LCA4-44	43.6	0.8~1.9	0.8~1.9	3.6	
LCA4-55	55.0	0.8~1.8	0.8~1.8	3.6	200
LCA4-56	56.4	1.0~1.6	1.0~1.6	3.6	

3-50-2



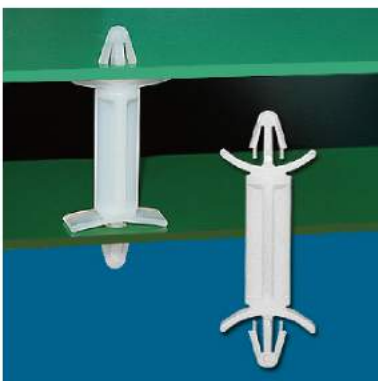
P.C.板間隔柱 SPACER SUPPORT

MATERIAL: NYLON 66(UL)
FLAME CLASS: 94V-2
COLOR: NATURAL



PART NO	A	T P.C.B. THICKNESS	PACKAGE
LTQB-12CH	12.7	0.8~1.7	1000

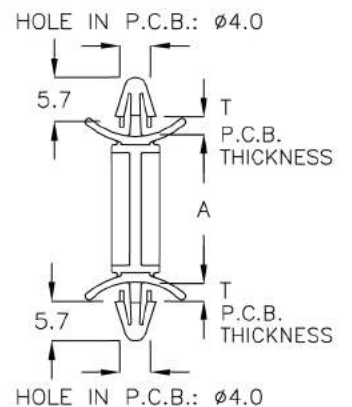
3-50-3



P.C.板間隔柱 SPACER SUPPORT

MATERIAL: NYLON 66(UL)
FLAME CLASS: 94V-2
COLOR: NATURAL

NEW



PART NO	A	T P.C.B. THICKNESS	PACKAGE
★ LTQM-22A	22.5	0.8~2.0	500

P.C.板間隔柱 SPACER SUPPORT

PINGOOD

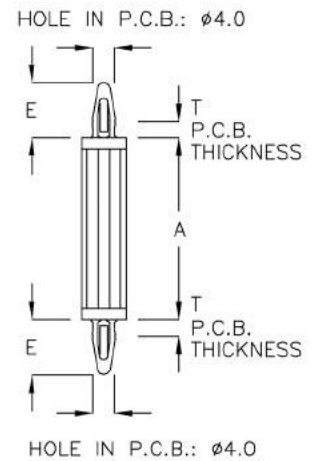
— 3-51-1 —



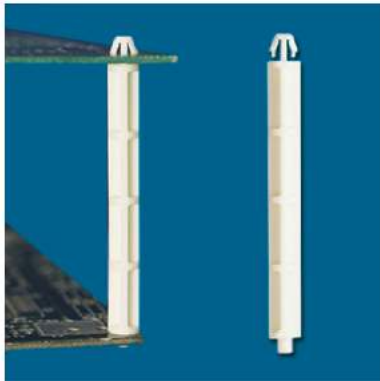
P.C.板間隔柱 SPACER SUPPORT

MATERIAL: NYLON 66(UL)
FLAME CLASS: 94V-2
COLOR: NATURAL, BLACK

PART NO	A	T P.C.B. THICKNESS	E	PACKAGE
LCD-151	151.8	1.8~2.0	10.0	100



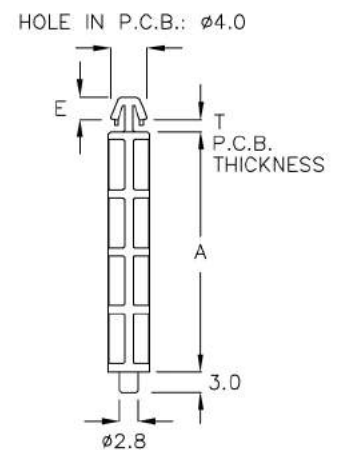
— 3-51-2 —



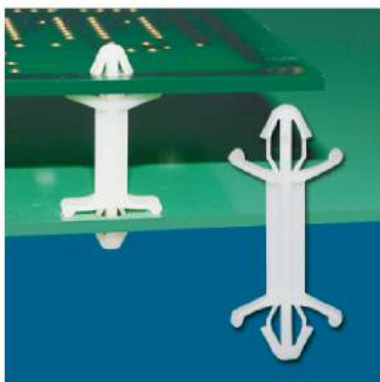
P.C.板間隔柱 SPACER SUPPORT

MATERIAL: NYLON 66(UL)
FLAME CLASS: 94V-2
COLOR: NATURAL

PART NO	A	T P.C.B. THICKNESS	E	PACKAGE
MQW-51A	51.7	1.6	3.3	500



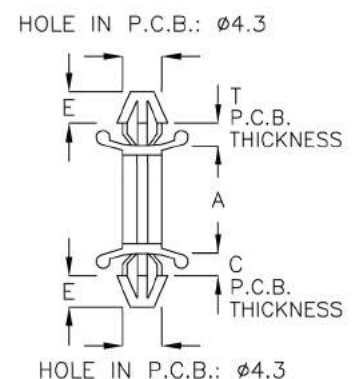
— 3-51-3 —



P.C.板間隔柱 SPACER SUPPORT

MATERIAL: NYLON 66(UL)
FLAME CLASS: 94V-2
COLOR: NATURAL

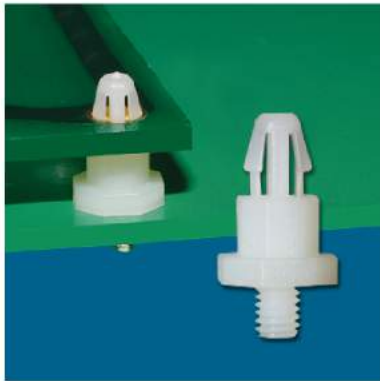
PART NO	A	T P.C.B. THICKNESS	C P.C.B. THICKNESS	E	PACKAGE
LCK-20	14.6	0.6	0.8~1.0	3.4	1000
LCK-27	21.2	0.6	1.4~1.6	3.4	



P.C.板間隔柱 SPACER SUPPORT

PINGOOD

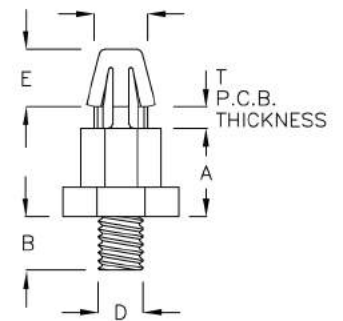
3-52-1



P.C.板間隔柱 SPACER SUPPORT

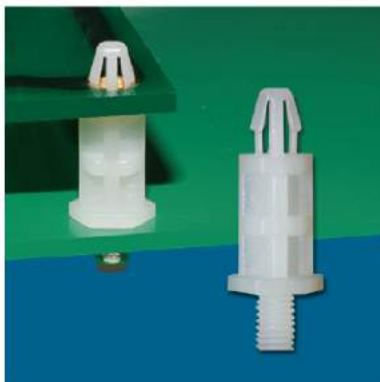
MATERIAL: NYLON 66(UL)
FLAME CLASS: 94V-2
COLOR: NATURAL

HOLE IN P.C.B.: $\phi 3.0$



PART NO	A	B	T P.C.B. THICKNESS	D SCREW	E	PACKAGE
SDS-05	4.9	3.0	0.8~1.0	M2.5	3.3	2000
SDS-05A	4.9	3.0	0.8~1.0	M4	3.3	
SDS-3A	3.4	4.0	0.8~1.0	M4	3.5	

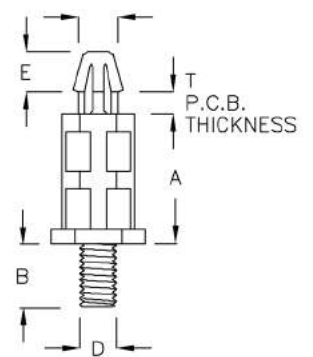
3-52-2



P.C.板間隔柱 SPACER SUPPORT

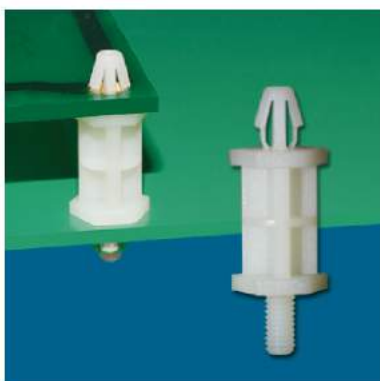
MATERIAL: NYLON 66(UL)
FLAME CLASS: 94V-2
COLOR: NATURAL

HOLE IN P.C.B.: $\phi 3.2$



PART NO	A	B	T P.C.B. THICKNESS	D SCREW	E	PACKAGE
SDT-10A	10.4	5.0	1.4~1.6	M3	3.25	2000

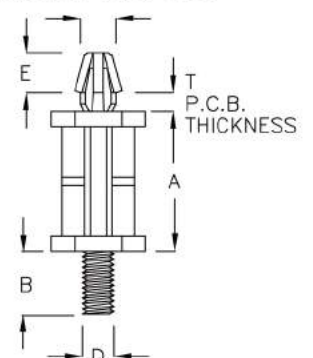
3-52-3



P.C.板間隔柱 SPACER SUPPORT

MATERIAL: NYLON 66(UL)
FLAME CLASS: 94V-2
COLOR: NATURAL

HOLE IN P.C.B.: $\phi 3.5$

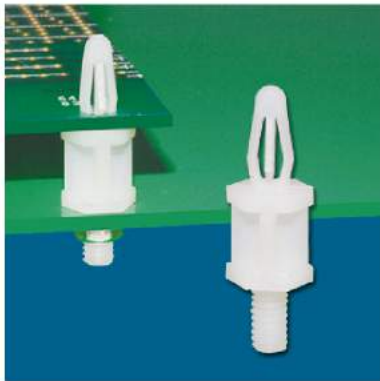


PART NO	A	B	T P.C.B. THICKNESS	D SCREW	E	PACKAGE
SSA-13A	13.0	6.0	1.4~1.6	M3	3.9	500

P.C.板間隔柱 SPACER SUPPORT

PINGOOD

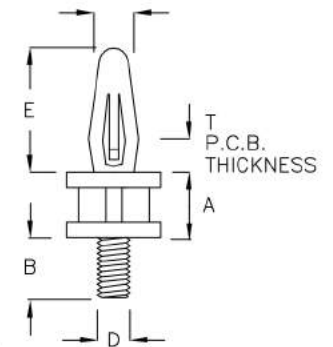
3-53-1



P.C.板間隔柱 SPACER SUPPORT

MATERIAL: NYLON 66(UL)
FLAME CLASS: 94V-2
COLOR: NATURAL

HOLE IN P.C.B.: $\phi 4.0$



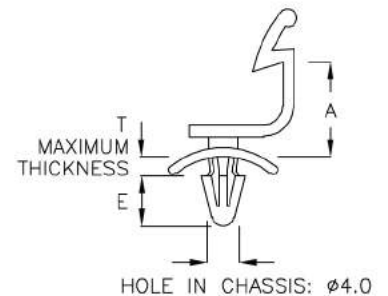
PART NO	A	B	T P.C.B. THICKNESS	D SCREW	E	PACKAGE
SSBS-6	6.2	7.6	1.0~1.7	#6-32	10.6	1000
SSBS-6M	6.35	5.0	1.0~1.7	#6-32	10.6	
SSBS-10	9.6	7.5	1.0~1.7	#6-32	10.6	
SSBS-12A	12.5	5.0	1.0~1.7	#6-32	10.1	500
SSBS4-6	6.3	5.0	1.0~1.7	M4	10.6	
SSBS4-10	10.0	7.4	1.0~1.7	M4	10.6	
SSBS4-16	15.8	7.4	1.0~1.7	M4	10.6	

3-53-2



P.C.板間隔柱 SPACER SUPPORT

MATERIAL: NYLON 66(UL)
FLAME CLASS: 94V-2
COLOR: NATURAL



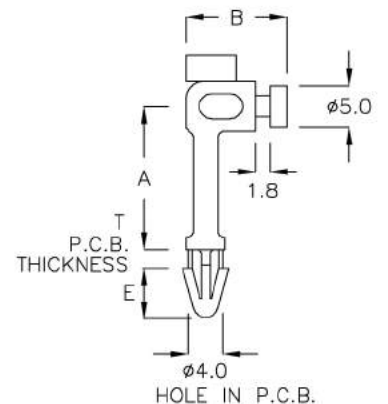
PART NO	A	T MAXIMUM THICKNESS	E	PACKAGE
LLS-12	12.6	2.0	6.6	500

3-53-3



P.C.板間隔柱 SPACER SUPPORT

MATERIAL: NYLON 66(UL)
FLAME CLASS: 94V-2
COLOR: NATURAL



PART NO	A	B	T P.C.B. THICKNESS	E	PACKAGE
LTU-20	20.0	12.1	1.7	6.0	500
LTU-20A	20.0	12.1	2.0	6.0	

P.C.板間隔柱 SPACER SUPPORT

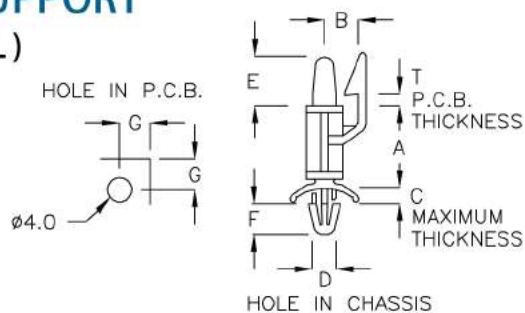
PINGOOD

3-54-1



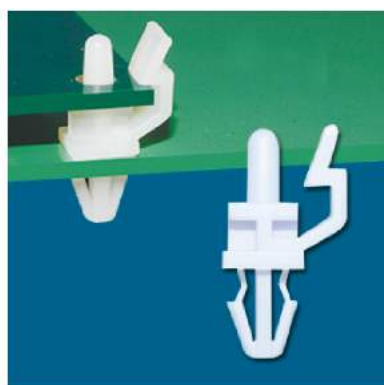
P.C.板間隔柱 SPACER SUPPORT

MATERIAL: NYLON 66(UL)
FLAME CLASS: 94V-2
COLOR: NATURAL



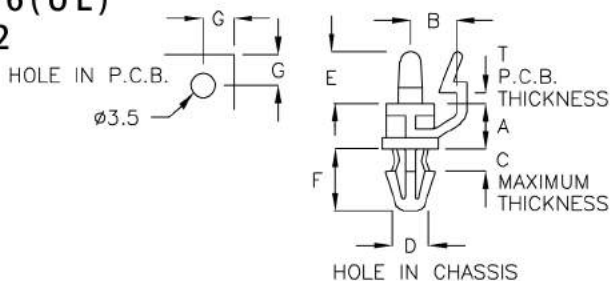
PART NO	A	B	D	T P.C.B. THICKNESS	C MAXIMUM THICKNESS	E	F	G	PACKAGE
LT-10	9.2	5.5	$\phi 4.0$	0.8~2.0	2.0	7.4	5.2	5.0	500
LT-12	11.9	5.5	$\phi 4.0$	0.8~2.0	2.0	7.4	4.5	5.0	
LT-15	15.1	5.5	$\phi 4.0$	0.8~2.0	2.0	7.4	5.2	5.0	
LT-18	17.2	5.5	$\phi 4.0$	0.8~2.0	2.0	7.4	5.2	5.0	
LT-26	26.2	6.4	$\phi 5.0$	0.8~2.0	2.0	15.0	5.2	6.0	

3-54-2



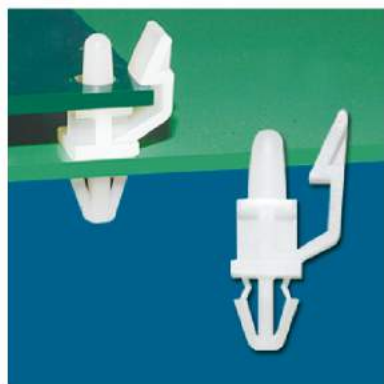
P.C.板間隔柱 SPACER SUPPORT

MATERIAL: NYLON 66(UL)
FLAME CLASS: 94V-2
COLOR: NATURAL



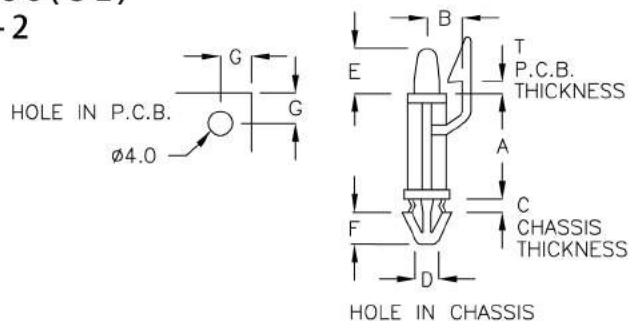
PART NO	A	B	D	T P.C.B. THICKNESS	C MAXIMUM THICKNESS	E	F	G	PACKAGE
LTG-5A	5.7	5.7	$\phi 4.7$	0.8~1.0	2.4	6.5	5.0	5.2	500

3-54-3



P.C.板間隔柱 SPACER SUPPORT

MATERIAL: NYLON 66(UL)
FLAME CLASS: 94V-2
COLOR: NATURAL

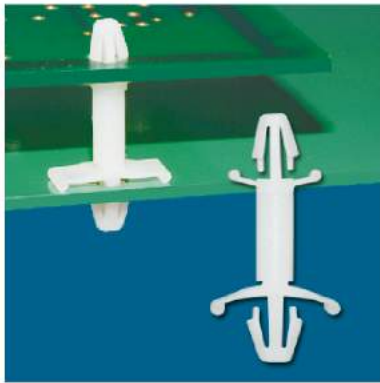


PART NO	A	B	D	T P.C.B. THICKNESS	C CHASSIS THICKNESS	E	F	G	PACKAGE
LT-08A	7.5	5.8	$\phi 4.5$	1.4 ~ 1.6	1.2~1.6	7.0	5.2	5.0	500
LT-18A	18.6	5.4	$\phi 4.5$	1.4 ~ 1.6	1.0~1.4	7.4	5.2	5.0	

P.C.板間隔柱 SPACER SUPPORT

PINGOOD

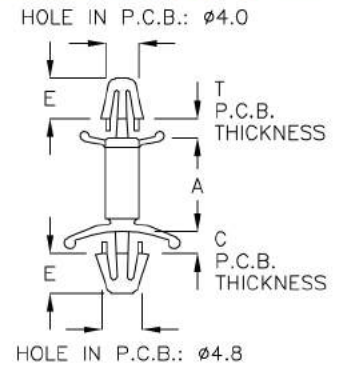
3-55-1



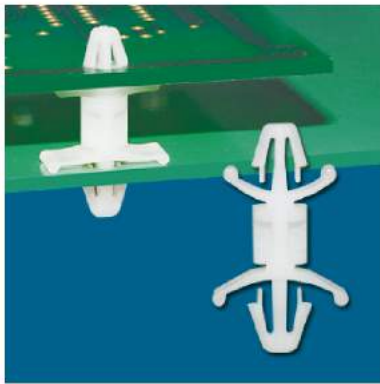
P.C.板間隔柱 SPACER SUPPORT

MATERIAL: NYLON 66(UL)
FLAME CLASS: 94V-2
COLOR: NATURAL

PART NO	A	T P.C.B. THICKNESS	C P.C.B. THICKNESS	E	PACKAGE
LCWS-12	12.7	1.4~1.6	0.8~2.0	4.8	500



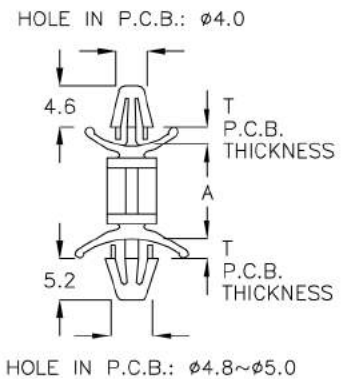
3-55-2



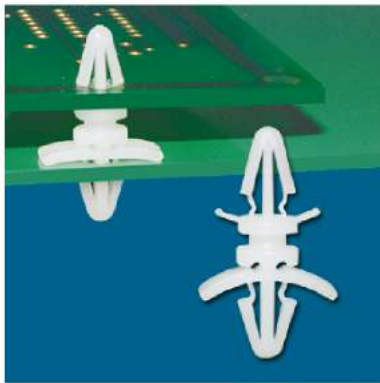
P.C.板間隔柱 SPACER SUPPORT

MATERIAL: NYLON 66(UL)
FLAME CLASS: 94V-2
COLOR: NATURAL

PART NO	A	T P.C.B. THICKNESS	PACKAGE
LTBS-6	6.35	0.8~1.7	500
LTBS-10	9.4	0.8~1.7	
LTBS-12	12.7	0.8~1.7	
LTBS-15	15.9	0.8~1.7	
LTBS-19	19.1	0.8~1.7	
LTBS-21	20.5	0.8~1.7	
LTBS-22	22.2	0.8~1.7	



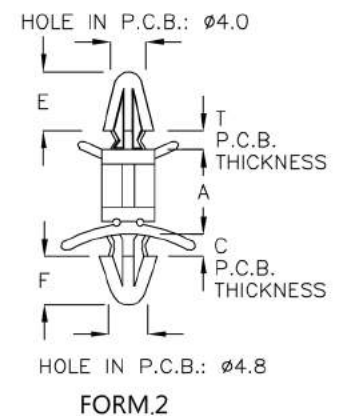
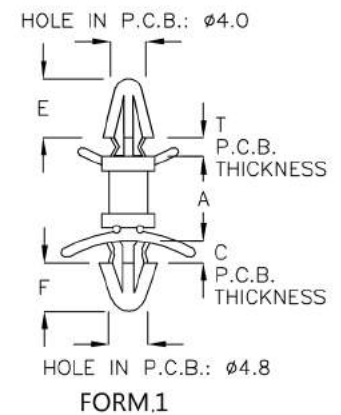
3-55-3



P.C.板間隔柱 SPACER SUPPORT

MATERIAL: NYLON 66(UL)
FLAME CLASS: 94V-2
COLOR: NATURAL

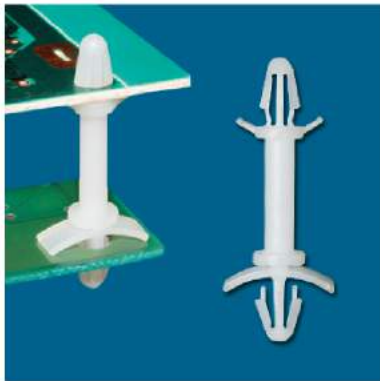
PART NO	A	T P.C.B. THICKNESS	C P.C.B. THICKNESS	E	F	FORM	PACKAGE
LCBS-5	5.0	0.8~1.7	0.8~1.7	7.1	6.1	1	1000
LCBS-6	6.35	0.8~1.7	0.8~1.7	7.1	6.1	1	
LCBS-10	10.0	0.8~1.7	0.8~1.7	7.1	6.1	1	
LCBS-15	15.0	0.8~1.7	0.8~1.7	7.1	5.7	1	
LCBS-20	20.0	0.8~1.7	0.8~1.7	7.1	5.7	1	
LCBS-25	25.0	0.8~1.7	0.8~1.7	7.1	5.7	1	500
LCBS-29	29.0	0.8~1.7	0.8~1.7	7.1	6.1	2	
LCBS-30	30.0	1.0~2.0	1.0~2.0	7.0	6.0	2	
LCBS-35	35.0	0.8~1.7	0.8~1.7	7.1	6.1	1	
LCBS-37KM	37.7	0.8~1.7	1.0~2.0	7.1	6.0	2	
LCBS-38	38.0	0.8~1.7	0.8~1.7	7.1	6.1	1	
LCBS-45	45.0	0.8~1.7	0.8~1.7	7.1	6.1	1	



P.C.板間隔柱 SPACER SUPPORT

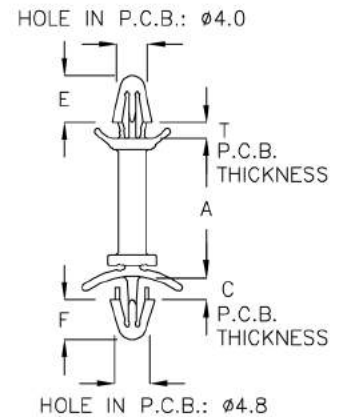
PINGOOD

3-56-1



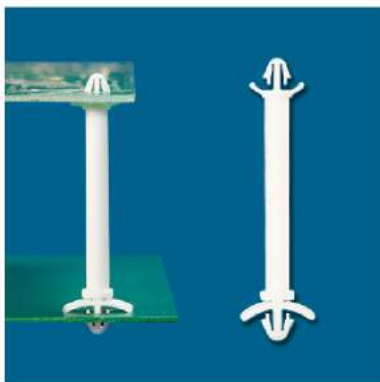
P.C.板間隔柱 SPACER SUPPORT

MATERIAL: NYLON 66(UL)
FLAME CLASS: 94V-2
COLOR: NATURAL



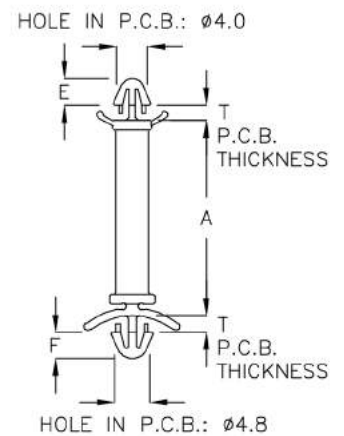
PART NO	A	T P.C.B. THICKNESS	C P.C.B. THICKNESS	E	F	PACKAGE
LCBS-20QT	20.0	0.8~1.7	1.5~2.5	6.7	5.7	500

3-56-2



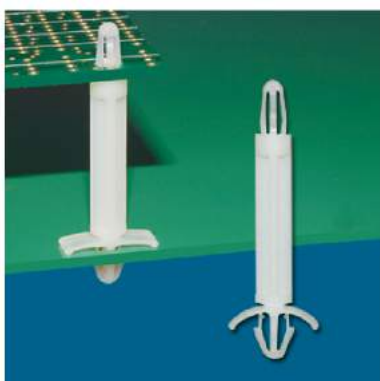
P.C.板間隔柱 SPACER SUPPORT

MATERIAL: NYLON 66(UL)
FLAME CLASS: 94V-2
COLOR: NATURAL



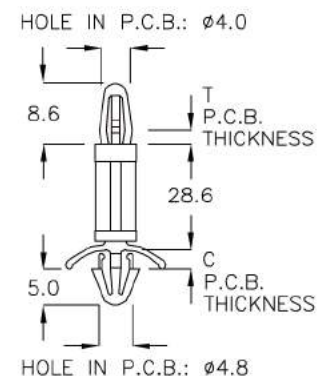
PART NO	A	T P.C.B. THICKNESS	E	F	PACKAGE
LCBS-44	43.65	0.8~1.7	4.0	4.0	500

3-56-3



P.C.板間隔柱 SPACER SUPPORT

MATERIAL: NYLON 66(UL)
FLAME CLASS: 94V-2
COLOR: NATURAL

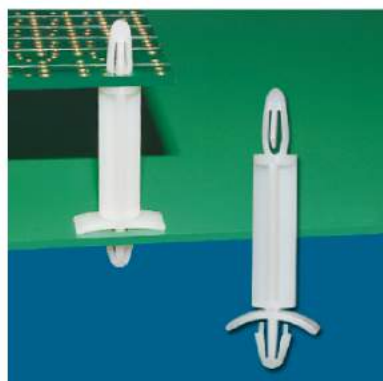


PART NO	T P.C.B. THICKNESS	C P.C.B. THICKNESS	PACKAGE
LCC-28A	1.2~1.6	0.5~2.0	500

P.C.板間隔柱 SPACER SUPPORT

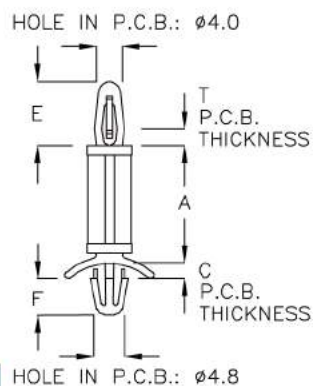
PINGOOD

3-57-1



P.C.板間隔柱 SPACER SUPPORT

MATERIAL: NYLON 66(UL)
FLAME CLASS: 94V-2
COLOR: NATURAL



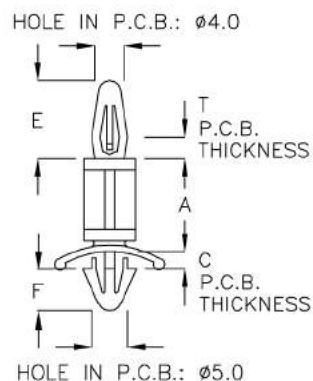
PART NO	A	T P.C.B. THICKNESS	C P.C.B. THICKNESS	E	F	PACKAGE
★ LCC-16KF	15.9	1.2~1.7	0.8~2.0	10.2	5.0	500
★ LCC-25QT	25.4	1.2~1.7	0.8~2.0	10.2	5.0	
LCC-25A	25.8	1.2~1.6	0.8~1.6	10.2	5.9	1000
LCC-28C	28.6	1.2~1.6	0.8~2.0	10.2	5.9	500

3-57-2



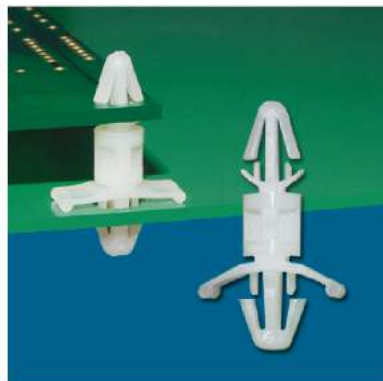
P.C.板間隔柱 SPACER SUPPORT

MATERIAL: NYLON 66(UL)
FLAME CLASS: 94V-2
COLOR: NATURAL



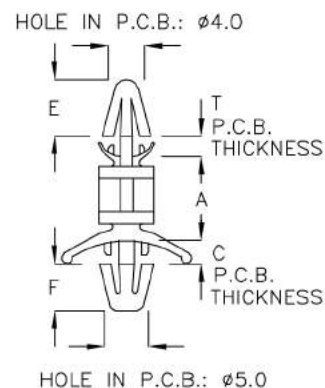
PART NO	A	T P.C.B. THICKNESS	C P.C.B. THICKNESS	E	F	PACKAGE
LCC-5	4.8	1.2~1.6	1.0~2.2	10.7	5.5	500
LCC-6	6.35	1.2~1.6	1.0~2.2	10.7	5.5	
LCC-10	9.6	1.2~1.6	1.0~2.2	10.7	5.5	
LCC-12	12.7	1.2~1.6	1.0~2.2	10.7	5.5	
LCC-15	15.9	1.2~1.6	1.0~2.2	10.7	5.5	

3-57-3



P.C.板間隔柱 SPACER SUPPORT

MATERIAL: NYLON 66(UL)
FLAME CLASS: 94V-2
COLOR: NATURAL



PART NO	A	T P.C.B. THICKNESS	C P.C.B. THICKNESS	E	F	PACKAGE
LBB-10	9.6	0.8~1.7	0.8~2.0	5.8	5.1	1000

P.C.板間隔柱 SPACER SUPPORT

PINGOOD

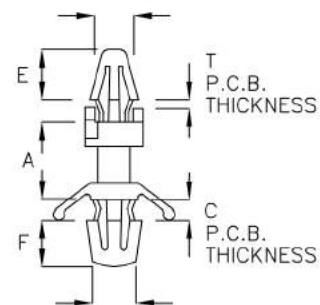
3-58-1



P.C.板間隔柱 SPACER SUPPORT

MATERIAL: NYLON 66(UL)
FLAME CLASS: 94V-2
COLOR: NATURAL

HOLE IN P.C.B.: $\phi 4.0$



HOLE IN P.C.B.: $\phi 5.0$

PART NO	A	T P.C.B. THICKNESS	C P.C.B. THICKNESS	E	F	PACKAGE
CBS-5	4.8	0.8~1.9	0.5~2.2	6.0	5.5	1000
CBS-6	6.35	0.8~1.9	0.5~2.2	6.0	5.5	
CBS-10	9.2	0.8~1.9	0.5~2.2	6.0	5.5	
CBS-12	12.7	0.8~1.9	0.5~2.2	6.0	5.5	
CBS-15	15.9	0.8~1.9	0.5~2.2	6.0	5.5	500
CBS-19	19.0	0.8~1.9	0.5~2.2	6.0	5.5	
CBS-25	25.4	0.8~1.9	0.5~2.2	6.0	5.5	
CBS-28	28.5	0.8~1.9	0.5~2.2	6.0	5.5	
CBS-35	35.0	0.8~1.9	0.5~2.2	6.0	5.5	

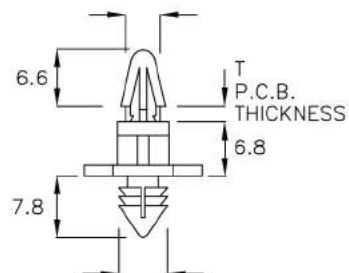
3-58-2



P.C.板間隔柱 SPACER SUPPORT

MATERIAL: NYLON 66(UL)
FLAME CLASS: 94V-2
COLOR: NATURAL

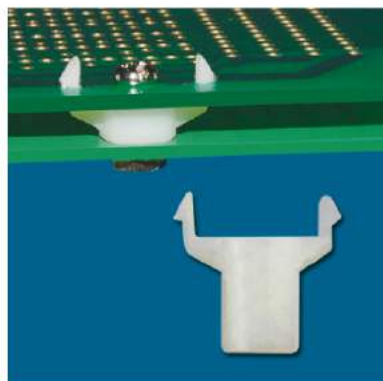
HOLE IN P.C.B.: $\phi 4.0$



HOLE IN WOODENWARE: $\phi 6.0$
WOODENWARE THICKNESS: >7.0 mm

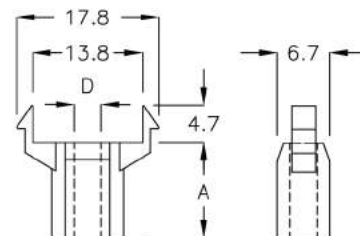
PART NO	T P.C.B. THICKNESS	PACKAGE
WCB-6	1.2~1.6	1000

3-58-3

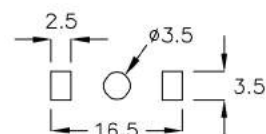


P.C.板間隔柱 SPACER SUPPORT

MATERIAL: NYLON 66(UL)
FLAME CLASS: 94V-2
COLOR: NATURAL



HOLE IN P.C.B.
P.C.B. THICKNESS: 1.6 mm



PART NO	A	D SCREW	PACKAGE
L-16	12.0	M3.0 x 19.0	500
L-16S	5.0	M3.0 x 12.0	1000

P.C.板間隔柱 SPACER SUPPORT

PINGOOD

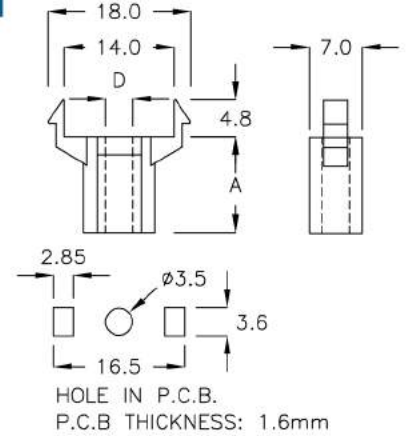
3-59-1



P.C.板間隔柱 SPACER SUPPORT

MATERIAL: NYLON 66(UL)
FLAME CLASS: 94V-2
COLOR: NATURAL

PART NO	A	D SCREW	PACKAGE
L-9A	9.4	M3.0X16.0	1000



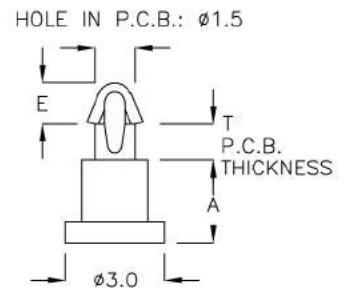
3-59-2



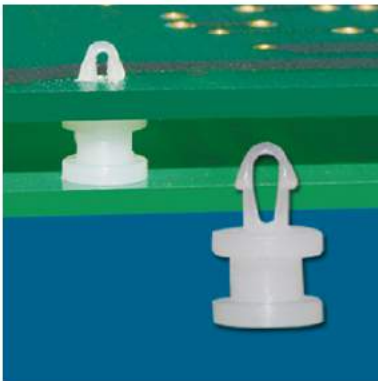
P.C.板間隔柱 SPACER SUPPORT

MATERIAL: NYLON 66(UL)
FLAME CLASS: 94V-2
COLOR: NATURAL

PART NO	A	T P.C.B. THICKNESS	E	PACKAGE
PCE-1AL	1.5	1.4~1.6	2.0	2000
PCE-2L	2.0	1.4~1.6	2.0	
PCE-2M	2.5	1.4~1.6	2.0	
PCE-3L	3.0	1.4~1.6	2.0	
PCE-3M	3.5	1.4~1.6	2.0	
PCE-04	4.0	1.4~1.6	2.0	
PCE-4EW	4.5	1.4~1.6	2.0	
PCE-5BZ	5.0	1.4~1.6	2.0	



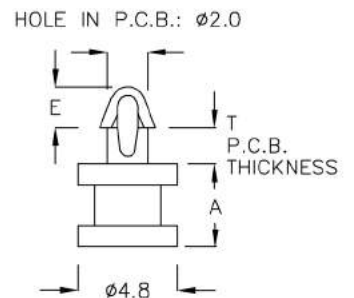
3-59-3



P.C.板間隔柱 SPACER SUPPORT

MATERIAL: NYLON 66(UL)
FLAME CLASS: 94V-2
COLOR: NATURAL

PART NO	A	T P.C.B. THICKNESS	E	PACKAGE
PCE-4D	4.0	1.4~1.6	2.1	2000



P.C.板間隔柱 SPACER SUPPORT

PINGOOD

3-60-1



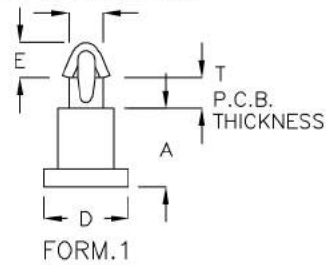
P.C.板間隔柱 SPACER SUPPORT

MATERIAL: NYLON 66(UL)

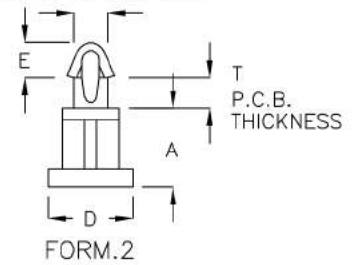
FLAME CLASS: 94V-2

COLOR: NATURAL

HOLE IN P.C.B.: $\phi 2.0$



HOLE IN P.C.B.: $\phi 2.0$



PART NO	A	D	T P.C.B. THICKNESS	E	FORM	PACKAGE
PCE-1A	1.5	$\phi 4.8$	1.4~1.6	2.0	1	2000
PCE-1C	1.8	$\phi 4.2$	1.4~1.6	2.0	1	
PCE-02	2.0	$\phi 4.2$	1.4~1.6	2.3	1	
PCE-2A	2.5	$\phi 4.8$	1.4~1.6	2.0	1	
PCE-2C	2.0	$\phi 4.8$	1.8~2.0	2.0	1	
PCE-2D	2.9	$\phi 4.2$	1.4~1.6	2.3	1	
PCE-2F	2.0	$\phi 4.2$	0.8~1.0	2.0	1	
PCE-2H	2.2	$\phi 4.2$	1.0~1.2	2.0	1	
PCE-2K	1.8	$\phi 4.2$	1.0~1.2	2.0	1	
PCE-2XC	2.15	$\phi 4.2$	1.4~1.6	2.0	1	
PCE-03	3.0	$\phi 4.2$	1.4~1.6	2.0	1	
PCE-3A	2.6	$\phi 4.1$	1.4~1.6	2.0	1	
PCE-3DF	3.2	$\phi 4.8$	1.4~1.6	2.1	1	
PCE-3K	3.5	$\phi 4.8$	1.4~1.6	2.0	1	
PCE-3PW	3.85	$\phi 6.0$	1.4~1.6	2.0	1	
PCE-3RY	3.75	$\phi 4.8$	1.4~1.6	2.0	1	
PCE-4A	4.0	$\phi 4.8$	1.4~1.6	2.1	1	
PCE-4F	4.7	$\phi 4.8$	1.4~1.6	2.0	1	
PCE-4M	4.5	$\phi 4.8$	1.4~1.6	2.0	1	
PCE-05	5.0	$\phi 4.8$	1.4~1.6	2.0	1	
PCE-5JD	5.0	$\phi 4.8$	1.0~1.2	2.0	1	
PCE-5QR	5.0	$\phi 6.0$	1.4~1.6	2.0	2	
PCE-5TS	5.3	$\phi 4.8$	0.8~1.0	2.3	1	
PCE-5K	5.6	$\phi 4.8$	1.4~1.6	2.0	1	
PCE-06	6.0	$\phi 4.8$	1.4~1.6	2.1	1	
PCE-6A	6.5	$\phi 4.8$	1.4~1.6	2.2	1	
PCE-6C	6.5	$\phi 4.8$	1.4~1.6	2.0	1	
PCE-6NS	6.5	$\phi 6.0$	1.4~1.6	2.0	2	
PCE-07	7.0	$\phi 4.2$	1.0~1.2	2.0	1	
PCE-08	8.0	$\phi 4.8$	1.4~1.6	3.0	1	
PCE-09	9.0	$\phi 5.0$	1.4~1.6	2.0	1	

P.C.板間隔柱 SPACER SUPPORT

PINGOOD

3-61-1

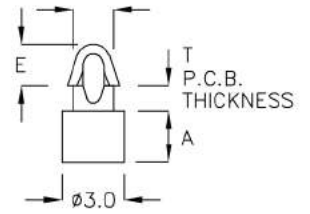


P.C.板間隔柱 SPACER SUPPORT

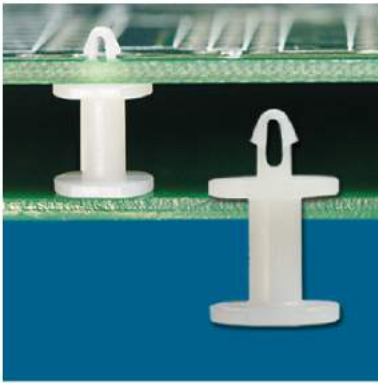
MATERIAL: NYLON 66(UL)
FLAME CLASS: 94V-2
COLOR: NATURAL

PART NO	A	T P.C.B. THICKNESS	E	PACKAGE
PCR-2C	2.5	0.8~1.0	2.0	2000
PCR-03	3.0	0.8~1.0	2.0	
PCR-3M	3.5	0.8~1.0	2.0	
PCR-04	4.0	0.8~1.0	2.0	
PCR-4M	4.5	0.8~1.0	2.0	

HOLE IN P.C.B.: $\phi 2.0$



3-61-2

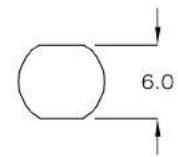
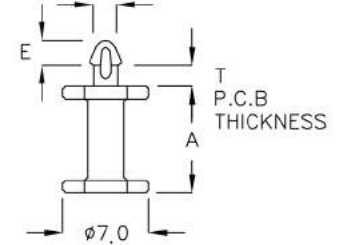


P.C.板間隔柱 SPACER SUPPORT

MATERIAL: NYLON 66(UL)
FLAME CLASS: 94V-2
COLOR: NATURAL

PART NO	A	T P.C.B. THICKNESS	E	PACKAGE
PCE-8MR	8.0	1.4~1.6	2.0	2000
PCE-10F	10.5	1.4~1.6	2.0	
PCE-11	11.0	1.4~1.6	2.0	

HOLE IN P.C.B.: $\phi 2.0$



3-61-3

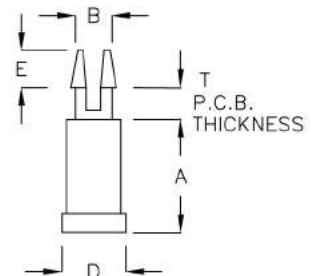


P.C.板間隔柱 SPACER SUPPORT

MATERIAL: NYLON 66(UL)
FLAME CLASS: 94V-2
COLOR: NATURAL

PART NO	A	B	D	T P.C.B. THICKNESS	E	PACKAGE
PCA-3	3.0	$\phi 2.0$	$\phi 3.5$	0.8~1.0	2.8	2000
PCA-3C	3.0	$\phi 2.0$	$\phi 3.0$	1.0~1.2	2.6	
PCA-4	4.0	$\phi 1.5$	$\phi 3.0$	1.4~1.6	2.1	
PCA-4A	4.0	$\phi 2.0$	$\phi 3.5$	1.4~1.6	2.1	
PCA-4C	4.7	$\phi 2.0$	$\phi 4.8$	1.4~1.6	2.6	
PCA-5	5.0	$\phi 2.0$	$\phi 3.5$	1.4~1.6	2.1	

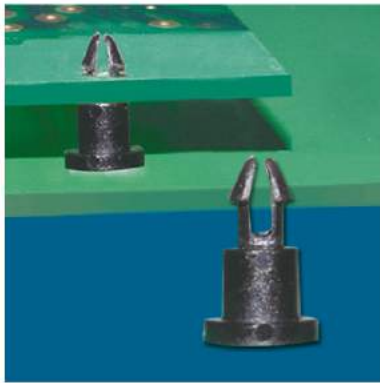
HOLE IN P.C.B.



P.C.板間隔柱 SPACER SUPPORT

PINGOOD

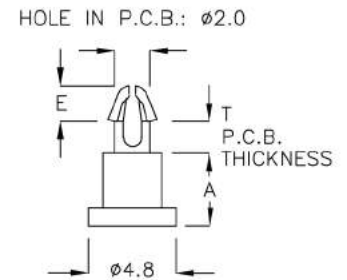
3-62-1



P.C.板間隔柱 SPACER SUPPORT

MATERIAL: NYLON 66(UL)
FLAME CLASS: 94V-2
COLOR: NATURAL, BLACK

PART NO	A	T P.C.B. THICKNESS	E	PACKAGE
PCC-03	3.0	1.4~1.6	2.0	2000
PCC-04	4.0	1.4~1.6	2.0	
PCC-05	5.0	1.4~1.6	2.0	



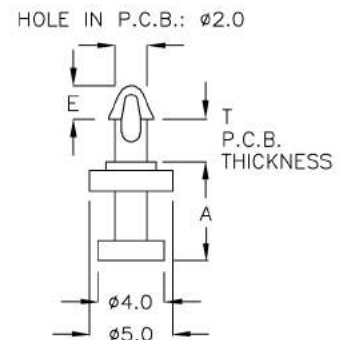
3-62-2



P.C.板間隔柱 SPACER SUPPORT

MATERIAL: NYLON 66(UL)
FLAME CLASS: 94V-2
COLOR: NATURAL

PART NO	A	T P.C.B. THICKNESS	E	PACKAGE
PCY-06	5.9	2.2~2.4	2.0	2000



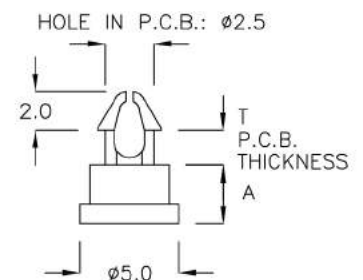
3-62-3



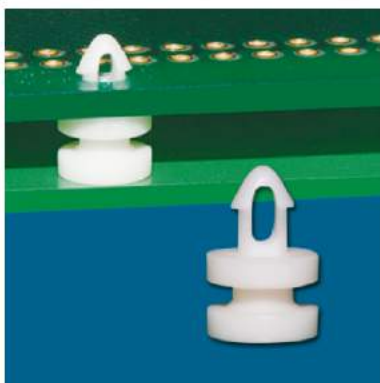
P.C.板間隔柱 SPACER SUPPORT

MATERIAL: NYLON 66(UL)
FLAME CLASS: 94V-2
COLOR: NATURAL

PART NO	A	T P.C.B. THICKNESS	PACKAGE
PHA-2T	2.95	1.4~1.6	2000



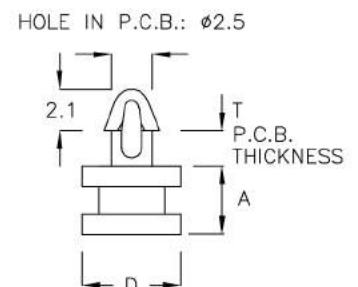
3-62-4



P.C.板間隔柱 SPACER SUPPORT

MATERIAL: NYLON 66(UL)
FLAME CLASS: 94V-2
COLOR: NATURAL

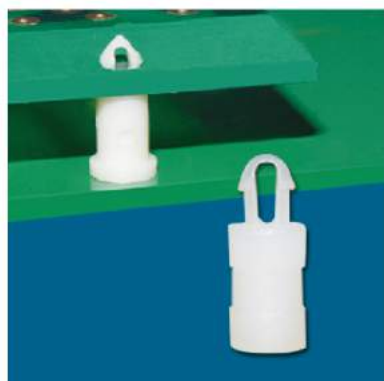
PART NO	A	D	T P.C.B. THICKNESS	PACKAGE
PCK-4C	4.1	$\phi 5.5$	1.8~2.0	2000
PCK-4G	4.0	$\phi 4.4$	0.8~1.0	



P.C.板間隔柱 SPACER SUPPORT

PINGOOD

3-63-1

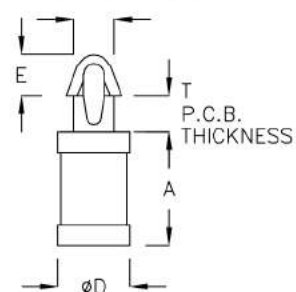


P.C.板間隔柱 SPACER SUPPORT

MATERIAL: NYLON 66(UL)
FLAME CLASS: 94V-2
COLOR: NATURAL

PART NO	A	D	T P.C.B. THICKNESS	E	PACKAGE
PCK-1MF	1.6	3.5	0.8~1.0	2.0	2000
PCK-2M	2.5	3.5	0.8~1.0	2.0	
PCK-3M	3.5	4.4	0.8~1.0	2.0	
PCK-4M	4.5	4.4	0.8~1.0	2.0	
PCK-05	5.0	4.4	0.8~1.0	2.0	
PCK-5A	5.6	4.4	0.8~1.0	2.4	
PCK-7A	7.0	4.4	1.4~1.6	2.4	
PCK-7C	7.5	4.4	0.8~1.0	2.3	
PCK-8A	8.0	4.4	1.4~1.6	2.2	
PCK-9A	8.9	4.4	1.4~1.6	2.2	

HOLE IN P.C.B.: $\phi 2.5$



3-63-2

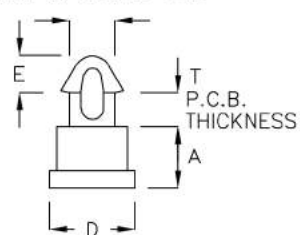


P.C.板間隔柱 SPACER SUPPORT

MATERIAL: NYLON 66(UL)
FLAME CLASS: 94V-2
COLOR: NATURAL

PART NO	A	D	T P.C.B. THICKNESS	E	PACKAGE
PCK-1A	1.5	$\phi 4.5$	1.4~1.6	2.1	2000
PCK-2A	2.5	$\phi 4.5$	1.4~1.6	2.1	
PCK-2C	2.7	$\phi 6.0$	1.4~1.6	2.2	
PCK-2D	2.8	$\phi 5.0$	1.4~1.6	2.0	
PCK-2F	2.8	$\phi 5.0$	1.5~1.7	2.0	
PCK-2J	2.95	$\phi 5.0$	1.4~1.6	2.0	
PCK-3A	3.5	$\phi 4.5$	1.4~1.6	2.0	
PCK-04	4.0	$\phi 4.5$	1.4~1.6	1.9	
PCK-4A	4.5	$\phi 4.5$	1.4~1.6	2.1	
PCK-4F	4.0	$\phi 5.0$	1.4~1.6	2.0	
PCK-5K	5.0	$\phi 3.6$	1.9~2.1	2.0	
PCK-5RH	5.0	$\phi 4.5$	1.4~1.6	1.6	
PCK-06	6.0	$\phi 4.5$	1.6~1.8	1.5	

HOLE IN P.C.B.: $\phi 2.5$



3-63-3

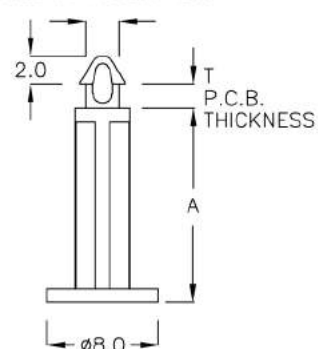


P.C.板間隔柱 SPACER SUPPORT

MATERIAL: NYLON 66(UL)
FLAME CLASS: 94V-2
COLOR: NATURAL

PART NO	A	T P.C.B. THICKNESS	PACKAGE
PCK-14	14.0	1.4~1.6	2000
PCK-15	15.0	1.4~1.6	

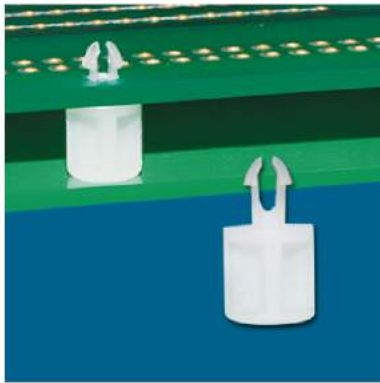
HOLE IN P.C.B.: $\phi 2.5$



P.C.板間隔柱 SPACER SUPPORT

PINGOOD

3-64-1

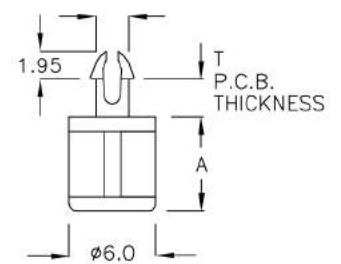


P.C.板間隔柱 SPACER SUPPORT

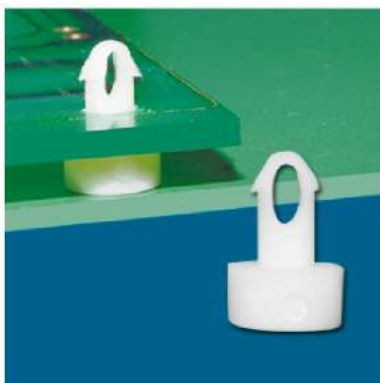
MATERIAL: NYLON 66(UL)
FLAME CLASS: 94V-2
COLOR: NATURAL

PART NO	A	T P.C.B. THICKNESS	PACKAGE
PCK-6C	6.5	2.2~2.45	2000

HOLE IN P.C.B.: $\phi 2.5$



3-64-2

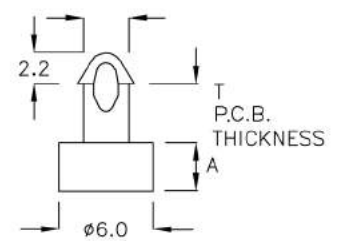


P.C.板間隔柱 SPACER SUPPORT

MATERIAL: NYLON 66(UL)
FLAME CLASS: 94V-2
COLOR: NATURAL

PART NO	A	T P.C.B. THICKNESS	PACKAGE
PCS-2A	3.1	3.3~3.5	2000

HOLE IN P.C.B.: $\phi 3.0$



3-64-3

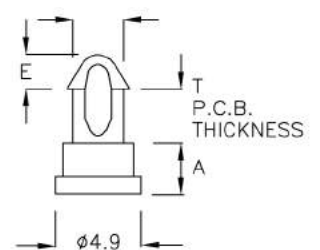


P.C.板間隔柱 SPACER SUPPORT

MATERIAL: NYLON 66(UL)
FLAME CLASS: 94V-2
COLOR: NATURAL

PART NO	A	T P.C.B. THICKNESS	E	PACKAGE
PCJ-3S	2.9	2.6~2.85	2.0	2000
PCJ-3T	3.5	2.3~2.5	2.0	
PCJ-3M	3.5	3.3~3.5	2.1	
PCJ-4A	3.85	3.4~3.65	2.2	
PCJ-4M	4.5	2.3~2.5	2.1	

HOLE IN P.C.B.: $\phi 3.0$



3-64-4

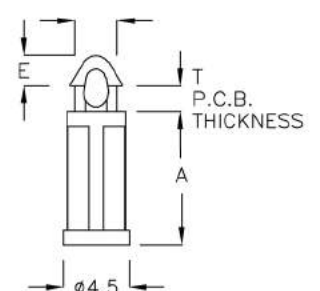


P.C.板間隔柱 SPACER SUPPORT

MATERIAL: NYLON 66(UL)
FLAME CLASS: 94V-2
COLOR: NATURAL

PART NO	A	T P.C.B. THICKNESS	E	PACKAGE
PCJ-9FQ	9.5	0.8~1.0	2.0	2000
PCJ-33A	33.7	1.4~1.6	2.1	500

HOLE IN P.C.B.: $\phi 3.0$

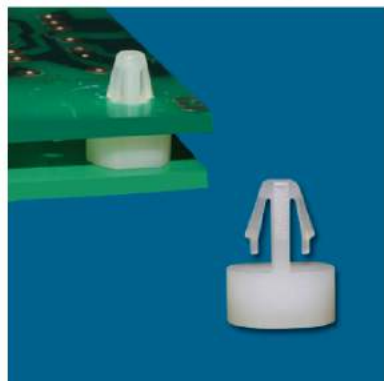


P.C.板間隔柱 SPACER SUPPORT

PINGOOD

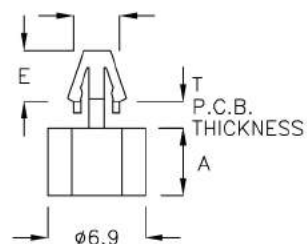
3-65-1

P.C.板間隔柱 SPACER SUPPORT



MATERIAL: NYLON 66(UL)
FLAME CLASS: 94V-2
COLOR: NATURAL

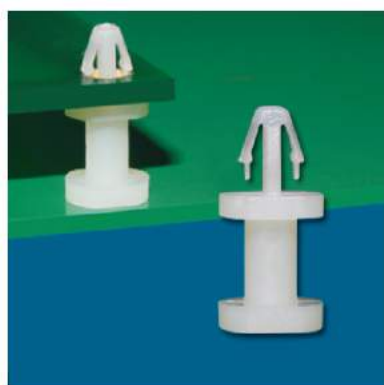
HOLE IN P.C.B.: $\phi 3.0$



PART NO	A	T P.C.B. THICKNESS	E	PACKAGE
DCBS-2	2.0	1.2~1.7	3.8	2000
DCBS-2A	2.5	1.2~1.7	3.8	
DCBS-3	3.0	1.2~1.7	3.8	
DCBS-3A	3.3	1.2~1.7	3.8	
DCBS-3M	3.5	1.2~1.7	3.8	

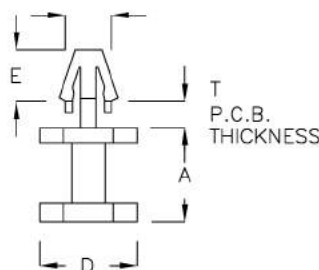
3-65-2

P.C.板間隔柱 SPACER SUPPORT



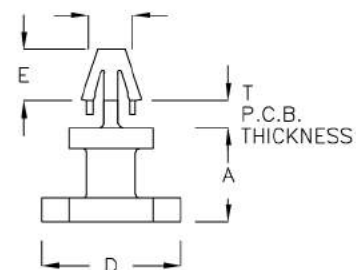
MATERIAL: NYLON 66(UL)
FLAME CLASS: 94V-2
COLOR: NATURAL

HOLE IN P.C.B.: $\phi 3.0$



FORM. 1

HOLE IN P.C.B.: $\phi 3.0$



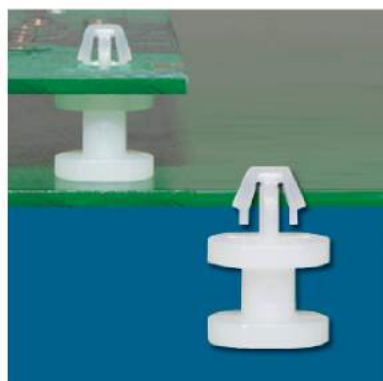
FORM. 2

PART NO	A	D	T P.C.B. THICKNESS	E	FORM	PACKAGE
DCBS-4	4.0	$\phi 7.0$	1.2~1.6	3.8	1	2000
DCBS-4C	4.0	$\phi 6.0$	1.2~1.6	3.7	1	
DCBS-4M	4.5	$\phi 7.0$	1.2~1.6	3.8	1	
DCBS-5	5.0	$\phi 7.0$	1.2~1.6	3.8	1	
DCBS-5M	5.5	$\phi 7.0$	1.2~1.6	3.8	1	
DCBS-6	6.0	$\phi 7.0$	1.2~1.6	3.8	1	
DCBS-7	7.0	$\phi 7.0$	1.2~1.6	3.7	1	
DCBS-8	8.0	$\phi 7.0$	1.2~1.6	3.8	1	
DCBS-8A	8.0	$\phi 6.8$	1.2~1.6	4.3	1	
DCBS-8C	8.0	$\phi 7.0$	2.0~2.2	3.3	1	
DCBS-8M	8.5	$\phi 7.0$	1.2~1.6	3.7	1	
DCBS-9	9.0	$\phi 7.0$	1.2~1.6	3.8	1	
DCBS-10	10.0	$\phi 7.0$	1.2~1.6	3.8	1	
DCBS-10A	10.5	$\phi 7.0$	1.2~1.6	3.9	1	
DCBS-11	11.0	$\phi 7.0$	1.2~1.6	3.8	1	1000
DCBS-12	12.0	$\phi 7.0$	1.2~1.6	3.8	1	
DCBS-13	13.0	$\phi 7.0$	1.2~1.6	3.8	1	
DCBS-14	14.0	$\phi 4.8$	1.2~1.6	3.8	1	
DCBS-15	15.0	$\phi 7.0$	1.2~1.6	3.8	1	
DCBS-16KH	16.0	$\phi 10.0$	1.2~1.6	3.7	2	

P.C.板間隔柱 SPACER SUPPORT

PINGOOD

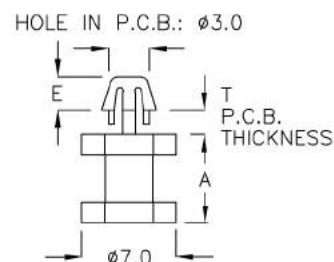
3-66-1



P.C.板間隔柱 SPACER SUPPORT

MATERIAL: NYLON 66(UL)
FLAME CLASS: 94V-2
COLOR: NATURAL

PART NO	A	T P.C.B. THICKNESS	E	PACKAGE
DCBS-6A	6.5	1.4~1.6	2.5	2000



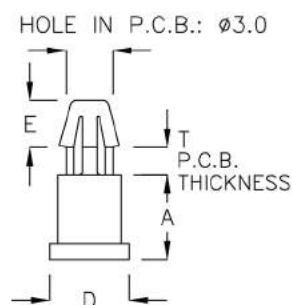
3-66-2



P.C.板間隔柱 SPACER SUPPORT

MATERIAL: NYLON 66(UL)
FLAME CLASS: 94V-2
COLOR: NATURAL

PART NO	A	T P.C.B. THICKNESS	E	D	PACKAGE
PCF-2A	2.5	1.4~1.6	2.95	$\phi 5.0$	2000
PCF-2C	2.8	1.4~1.6	2.95	$\phi 5.0$	
PCF-03	3.0	1.4~1.6	3.1	$\phi 5.0$	
PCF-3A	3.2	1.4~1.6	3.1	$\phi 5.0$	
PCF-3C	3.0	1.4~1.6	2.95	$\phi 6.0$	
PCF-3M	3.5	1.4~1.6	3.0	$\phi 5.0$	
PCF-04	4.0	1.4~1.6	3.0	$\phi 5.0$	
PCF-4A	4.5	1.4~1.6	2.95	$\phi 5.0$	
PCF-05	5.0	1.4~1.6	3.0	$\phi 5.0$	
PCF-5A	5.0	1.4~1.6	3.1	$\phi 9.0$	
PCF-09	9.0	1.4~1.6	2.95	$\phi 5.0$	
PCF-9FK	9.4	1.4~1.6	2.9	$\phi 6.0$	



3-66-3

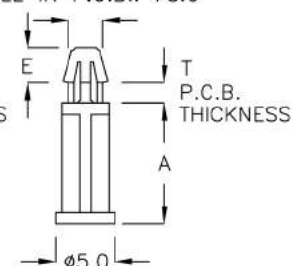
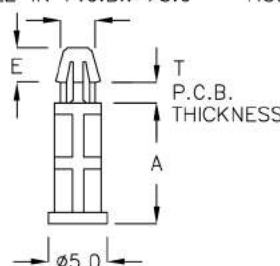


P.C.板間隔柱 SPACER SUPPORT

MATERIAL: NYLON 66(UL)
FLAME CLASS: 94V-2
COLOR: NATURAL

HOLE IN P.C.B.: $\phi 3.0$

HOLE IN P.C.B.: $\phi 3.0$



FORM.1

FORM.2

PART NO	A	T P.C.B. THICKNESS	E	FORM	PACKAGE
PCF-9A	9.5	1.6	2.7	2	2000
PCF-10	10.0	1.6	2.7	1	
PCF-20	20.0	1.6	2.7	1	1000
PCF-22	22.0	1.6	2.9	1	
PCF-25	25.0	1.6	2.9	1	

P.C.板間隔柱 SPACER SUPPORT

PINGOOD

3-67-1

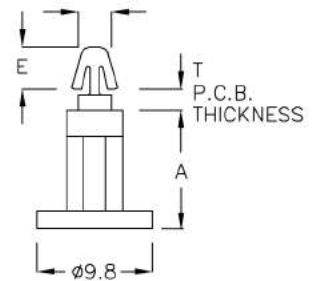


P.C.板間隔柱 SPACER SUPPORT

MATERIAL: NYLON 66(UL)
FLAME CLASS: 94V-2
COLOR: NATURAL

PART NO	A	T P.C.B. THICKNESS	E	PACKAGE
TCF-4A	4.5	1.6~1.7	3.6	2000
TCF-10	10.0	1.6~1.7	3.8	1000

HOLE IN P.C.B.: $\phi 3.0$



3-67-2

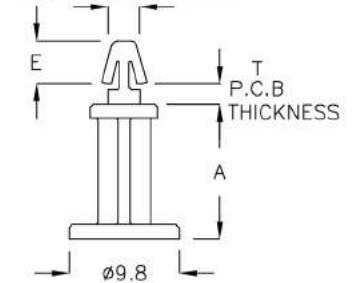


P.C.板間隔柱 SPACER SUPPORT

MATERIAL: NYLON 66(UL)
FLAME CLASS: 94V-2
COLOR: NATURAL

PART NO	A	T P.C.B. THICKNESS	E	PACKAGE
TAX-12D	12.0	1.55~1.65	3.8	1000

HOLE IN P.C.B.: $\phi 3.0$



3-67-3

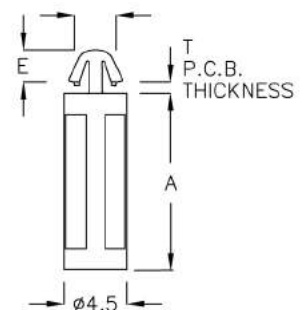


P.C.板間隔柱 SPACER SUPPORT

MATERIAL: NYLON 66(UL)
FLAME CLASS: 94V-2
COLOR: NATURAL

PART NO	A	T P.C.B. THICKNESS	E	PACKAGE
TCW-12A	12.7	0.6	2.3	1000

HOLE IN P.C.B.: $\phi 3.0$



3-67-4

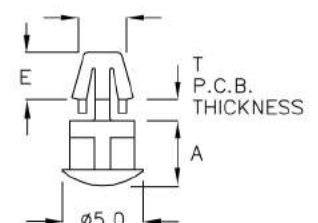


P.C.板間隔柱 SPACER SUPPORT

MATERIAL: NYLON 66(UL)
FLAME CLASS: 94V-2
COLOR: NATURAL

PART NO	A	T P.C.B. THICKNESS	E	PACKAGE
PCN-04	4.0	1.0~1.2	2.95	2000

HOLE IN P.C.B.: $\phi 3.0$



P.C.板間隔柱 SPACER SUPPORT

PINGOOD

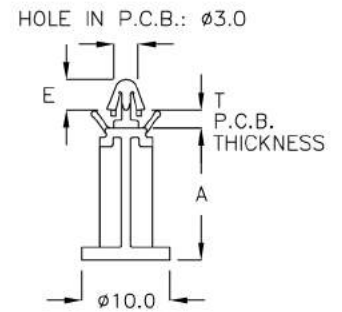
3-68-1



P.C.板間隔柱 SPACER SUPPORT

MATERIAL: NYLON 66(UL)
FLAME CLASS: 94V-2
COLOR: NATURAL

PART NO	A	T P.C.B. THICKNESS	E	PACKAGE
MFR-15	15.0	1.2~1.6	3.5	1000



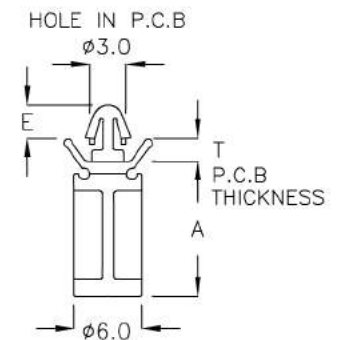
3-68-2



P.C.板間隔柱 SPACER SUPPORT

MATERIAL: NYLON 66(UL)
FLAME CLASS: 94V-2
COLOR: NATURAL

PART NO	A	T P.C.B. THICKNESS	E	PACKAGE
MFD-12	12.0	1.2~1.6	3.0	1000



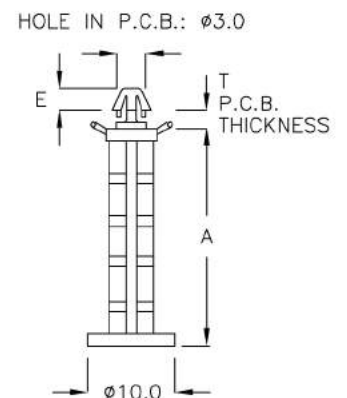
3-68-3



P.C.板間隔柱 SPACER SUPPORT

MATERIAL: NYLON 66(UL)
FLAME CLASS: 94V-2
COLOR: NATURAL

PART NO	A	T P.C.B. THICKNESS	E	PACKAGE
★ MFC-37KS	37.5	1.4~1.6	2.7	500
MFC-38C	38.4	1.2~1.6	2.7	



P.C.板間隔柱 SPACER SUPPORT

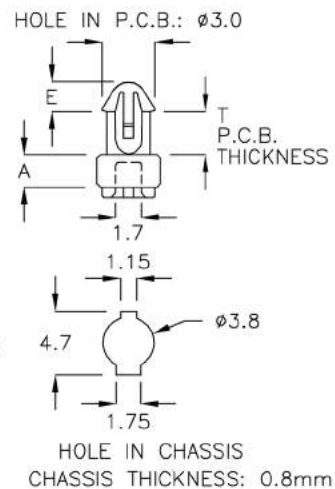
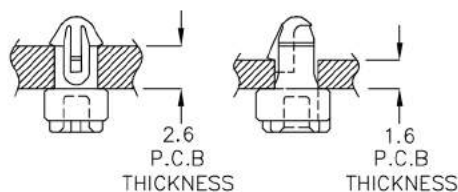
PINGOOD

3-69-1



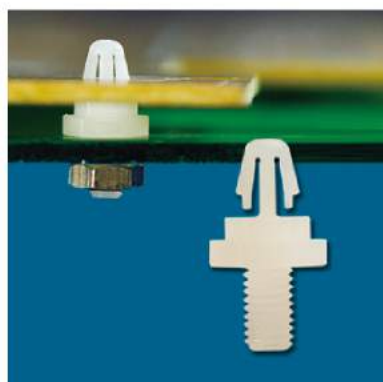
P.C.板間隔柱 SPACER SUPPORT

MATERIAL: NYLON 66(UL)
 FLAME CLASS: 94V-2
 COLOR: NATURAL
 TAPPING SCREW M2x2.0



PART NO	A	T P.C.B. THICKNESS	E	PACKAGE
SDF-2C	2.15	1.6	2.0	2000
		2.6		

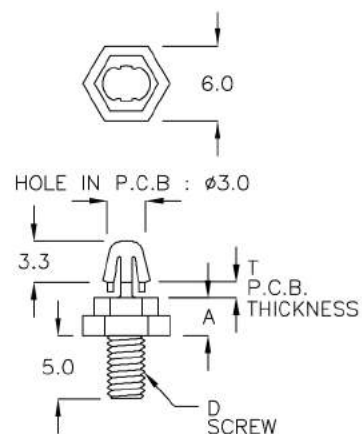
3-69-2



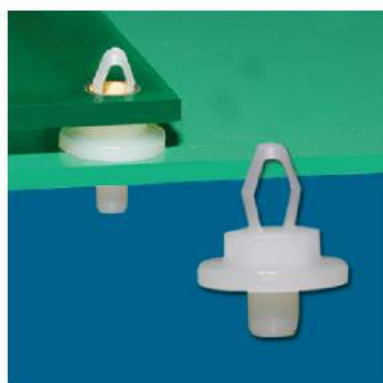
P.C.板間隔柱 SPACER SUPPORT

MATERIAL: NYLON 66(UL)
 FLAME CLASS: 94V-2
 COLOR: NATURAL

PART NO	A	T P.C.B. THICKNESS	D	PACKAGE
SDM-03	3.0	0.8~1.0	M3	2000
SDM-04	4.0	0.8~1.0	M2.5	2000



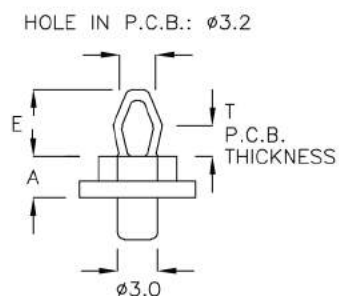
3-69-3



P.C.板間隔柱 SPACER SUPPORT

MATERIAL: NYLON 66(UL)
 FLAME CLASS: 94V-2
 COLOR: NATURAL

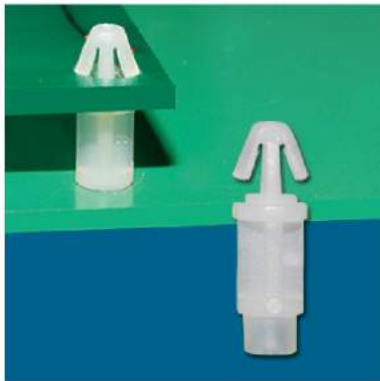
PART NO	A	T P.C.B. THICKNESS	E	PACKAGE
TCQ-03	3.0	1.4~1.6	4.8	1000



P.C.板間隔柱 SPACER SUPPORT

PINGOOD

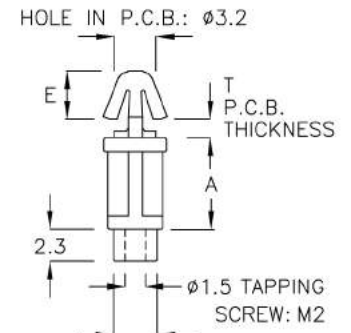
3-70-1



P.C.板間隔柱 SPACER SUPPORT

MATERIAL: NYLON 66(UL)
FLAME CLASS: 94V-2
COLOR: NATURAL

PART NO	A	T P.C.B. THICKNESS	E	PACKAGE
TAK-6A	6.6	1.0~1.2	3.5	2000



HOLE IN CHASSIS : $\phi 3.25$
CHASSIS THICKNESS: 2.5mm

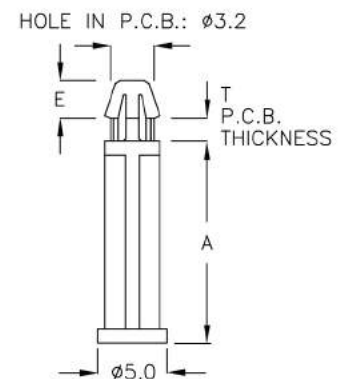
3-70-2



P.C.板間隔柱 SPACER SUPPORT

MATERIAL: NYLON 66(UL)
FLAME CLASS: 94V-2
COLOR: NATURAL

PART NO	A	T P.C.B. THICKNESS	E	PACKAGE
TCH-14A	14.5	1.4~1.6	2.7	1000



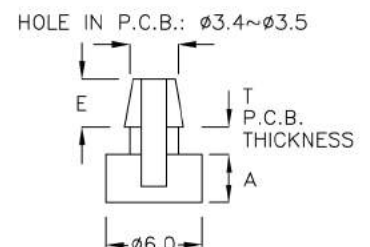
3-70-3



P.C.板間隔柱 SPACER SUPPORT

MATERIAL: NYLON 66(UL)
FLAME CLASS: 94V-2
COLOR: NATURAL

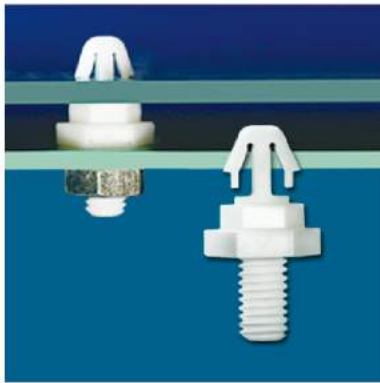
PART NO	A	T P.C.B. THICKNESS	E	PACKAGE
PCBS-3	3.0	1.4~1.6	3.0	2000
PCBS-3M	3.5	1.4~1.6	3.0	
PCBS-4	4.0	1.4~1.6	3.0	
PCBS-4M	4.5	1.4~1.6	3.0	
PCBS-5	5.0	1.4~1.6	3.0	



P.C.板間隔柱 SPACER SUPPORT

PINGOOD

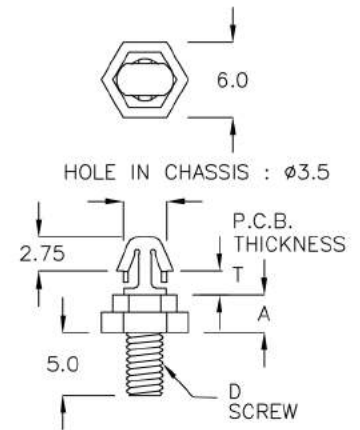
3-71-1



P.C.板間隔柱 SPACER SUPPORT

MATERIAL: NYLON 66(UL)
FLAME CLASS: 94V-2
COLOR: NATURAL

PART NO	A	T CHASSIS THICKNESS	D	PACKAGE
SDC-3TH	3.0	1.2~1.6	M3	2000



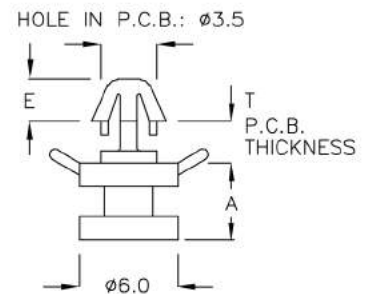
3-71-2



P.C.板間隔柱 SPACER SUPPORT

MATERIAL: NYLON 66(UL)
FLAME CLASS: 94V-2
COLOR: NATURAL

PART NO	A	T P.C.B. THICKNESS	E	PACKAGE
MF-04A	4.6	1.6~2.0	2.5	2000



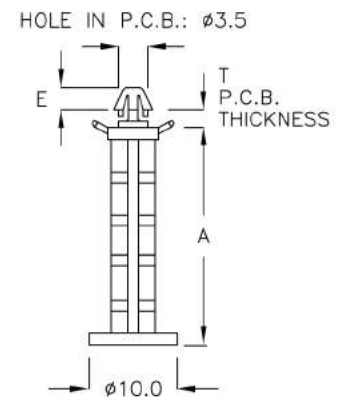
3-71-3



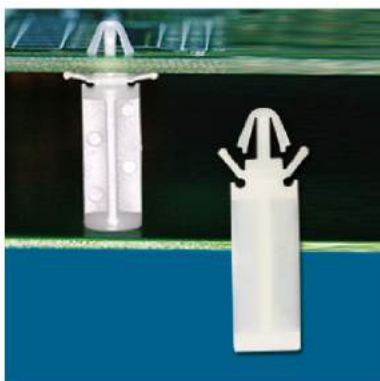
P.C.板間隔柱 SPACER SUPPORT

MATERIAL: NYLON 66(UL)
FLAME CLASS: 94V-2
COLOR: NATURAL

PART NO	A	T P.C.B. THICKNESS	E	PACKAGE
MF-36	35.95	1.4~1.6	2.5	500
MF-38A	38.35	1.4~1.6	2.5	



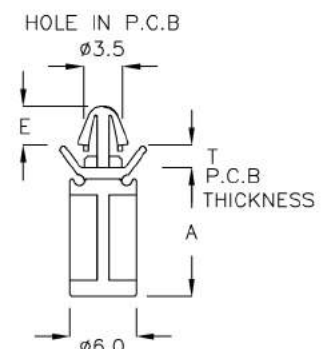
3-71-4



P.C.板間隔柱 SPACER SUPPORT

MATERIAL: NYLON 66(UL)
FLAME CLASS: 94V-2
COLOR: NATURAL

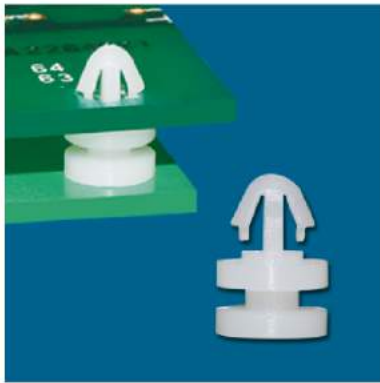
PART NO	A	T P.C.B. THICKNESS	E	PACKAGE
MFQ-4A	4.5	1.2~1.6	3.5	1000
MFQ-07	7.0	1.2~1.6	3.5	
MFQ-12	12.0	1.2~1.6	3.5	
MFQ-15	15.0	1.2~1.6	3.5	
MFQ-16	16.0	1.2~1.6	3.5	



P.C.板間隔柱 SPACER SUPPORT

PINGOOD

3-72-1



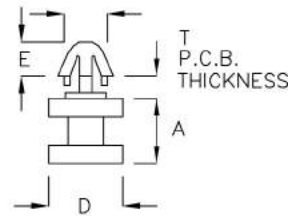
P.C.板間隔柱 SPACER SUPPORT

MATERIAL: NYLON 66(UL)

FLAME CLASS: 94V-2

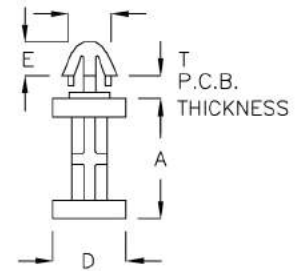
COLOR: NATURAL

HOLE IN P.C.B.: $\phi 3.5$



FORM.1

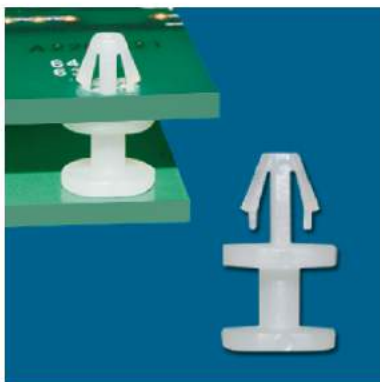
HOLE IN P.C.B.: $\phi 3.5$



FORM.2

PART NO	A	D	T P.C.B. THICKNESS	E	FORM	PACKAGE
MF-003	3.0	$\phi 6.0$	1.3~1.6	3.0	1	2000
MF-03M	3.5	$\phi 6.0$	1.3~1.6	2.8	1	
MF-004	4.0	$\phi 6.0$	1.3~1.6	3.0	1	
MF-005	5.0	$\phi 6.0$	1.3~1.6	3.0	1	
MF-05M	5.5	$\phi 6.0$	1.3~1.6	2.8	1	
MF-10	10.0	$\phi 3.5$	0.8~1.0	3.0	1	
MF-10AD	10.0	$\phi 6.0$	1.2~1.4	2.8	1	1000
MF-13	13.0	$\phi 6.0$	1.0~1.2	2.9	2	
MF-19	19.0	$\phi 6.0$	1.0~1.2	2.9	2	500

3-72-2



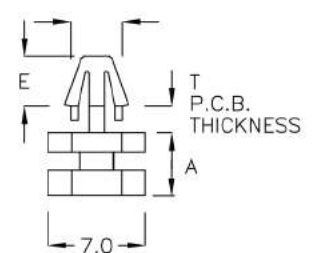
P.C.板間隔柱 SPACER SUPPORT

MATERIAL: NYLON 66(UL)

FLAME CLASS: 94V-2

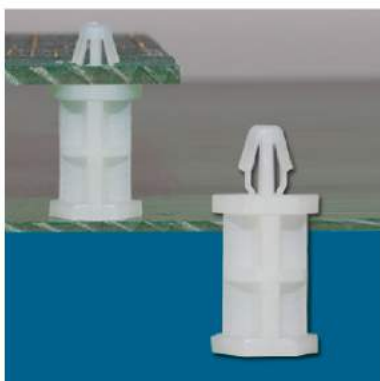
COLOR: NATURAL

HOLE IN P.C.B.: $\phi 3.5$



PART NO	A	T P.C.B. THICKNESS	E	PACKAGE
DCMS-4M	4.5	1.4~1.7	3.7	2000
DCMS-6	6.35	1.4~1.7	3.7	
DCMS-11SF	11.0	1.0~1.4	3.0	

3-72-3



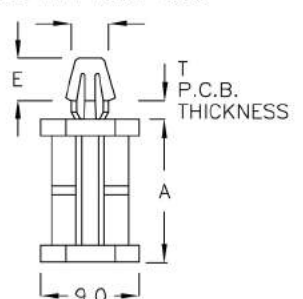
P.C.板間隔柱 SPACER SUPPORT

MATERIAL: NYLON 66(UL)

FLAME CLASS: 94V-2

COLOR: NATURAL

HOLE IN P.C.B.: $\phi 3.5$

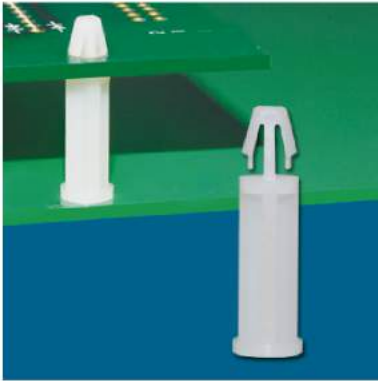


PART NO	A	T P.C.B. THICKNESS	E	PACKAGE
TCD-13	13.0	1.4~1.6	3.85	500

P.C.板間隔柱 SPACER SUPPORT

PINGOOD

3-73-1

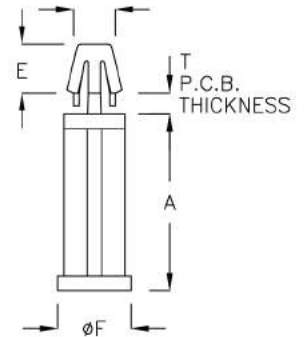


P.C.板間隔柱 SPACER SUPPORT

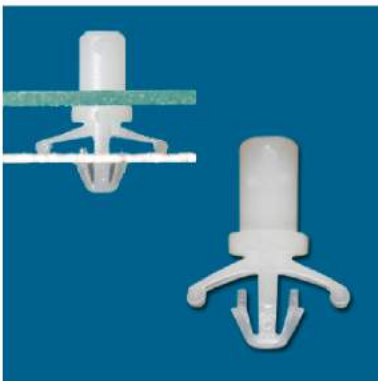
MATERIAL: NYLON 66(UL)
FLAME CLASS: 94V-2
COLOR: NATURAL

PART NO	A	T P.C.B. THICKNESS	E	F	PACKAGE
TCC-13A	13.5	1.4~1.6	5.0	9.0	1000
TCC-14	14.5	1.4~1.6	4.1	6.0	
TCC-14A	14.5	1.4~1.6	2.75	6.0	
TCC-21SD	21.0	1.0~1.2	2.8	8.0	500

HOLE IN P.C.B.: $\phi 3.5$



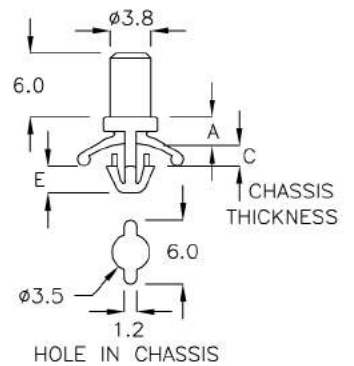
3-73-2



P.C.板間隔柱 SPACER SUPPORT

MATERIAL: NYLON 66(UL)
FLAME CLASS: 94V-2
COLOR: NATURAL

PART NO	A	C CHASSIS THICKNESS	E	PACKAGE
LCG-2K	2.65	0.6	2.5	1000



3-73-3

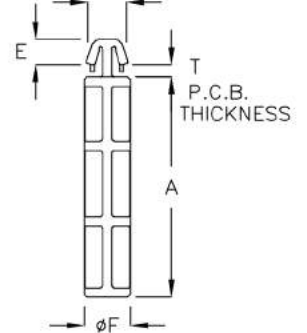


P.C.板間隔柱 SPACER SUPPORT

MATERIAL: NYLON 66(UL)
FLAME CLASS: 94V-2
COLOR: NATURAL

PART NO	A	T P.C.B. THICKNESS	E	F	PACKAGE
MQB-25M	25.5	1.0~1.2	2.8	5.0	500
MQB-28F	28.5	1.0~1.2	2.8	5.0	

HOLE IN P.C.B.: $\phi 3.55$



3-73-4

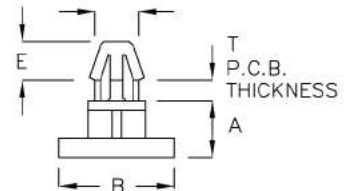


P.C.板間隔柱 SPACER SUPPORT

MATERIAL: NYLON 66(UL)
FLAME CLASS: 94V-2
COLOR: NATURAL

PART NO	A	B	T P.C.B. THICKNESS	E	PACKAGE
PCQ-03	3.0	$\phi 5.5$	1.4~1.6	3.2	2000
PCQ-4A	4.3	$\phi 9.5$	1.4~1.6	3.2	

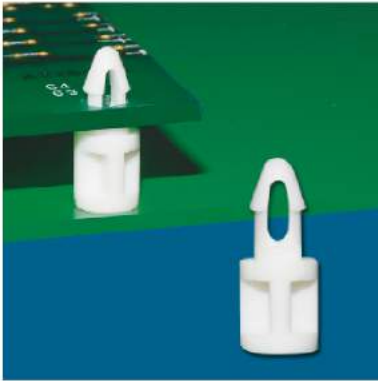
HOLE IN P.C.B.: $\phi 3.7$



P.C.板間隔柱 SPACER SUPPORT

PINGOOD

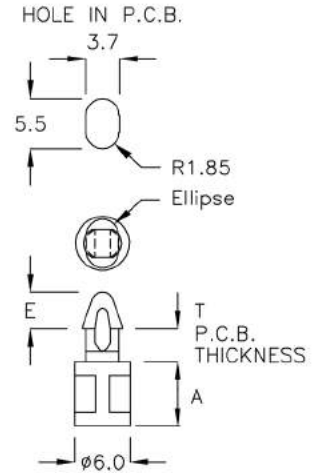
3-74-1



P.C.板間隔柱 SPACER SUPPORT

MATERIAL: NYLON 66(UL)
FLAME CLASS: 94V-2
COLOR: NATURAL

PART NO	A	T P.C.B. THICKNESS	E	PACKAGE
PCM-07	7.0	3.2~3.4	4.0	2000



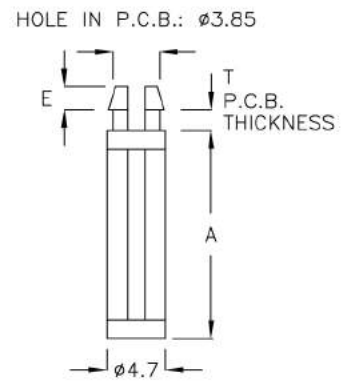
3-74-2



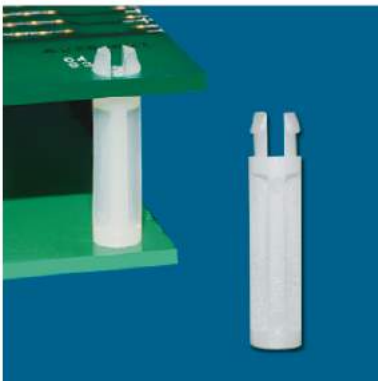
P.C.板間隔柱 SPACER SUPPORT

MATERIAL: NYLON 66(UL)
FLAME CLASS: 94V-2
COLOR: NATURAL

PART NO	A	T P.C.B. THICKNESS	E	PACKAGE
MCC-17S	16.6	1.4~1.6	2.0	1000



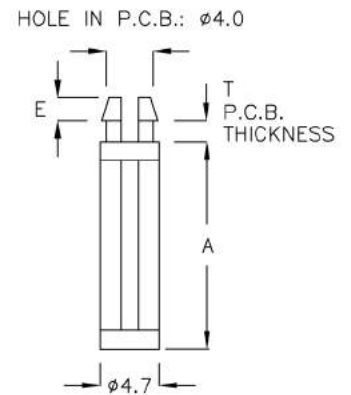
3-74-3



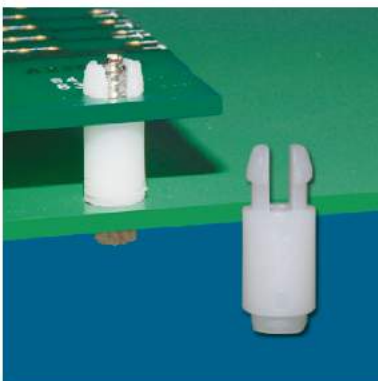
P.C.板間隔柱 SPACER SUPPORT

MATERIAL: NYLON 66(UL)
FLAME CLASS: 94V-2
COLOR: NATURAL

PART NO	A	T P.C.B. THICKNESS	E	PACKAGE
TCS-15	15.0	1.4~1.6	2.0	1000



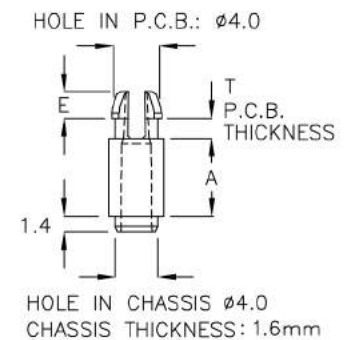
3-74-4



P.C.板間隔柱 SPACER SUPPORT

MATERIAL: NYLON 66(UL)
FLAME CLASS: 94V-2
COLOR: NATURAL
SCREW: M2x14 SCREW

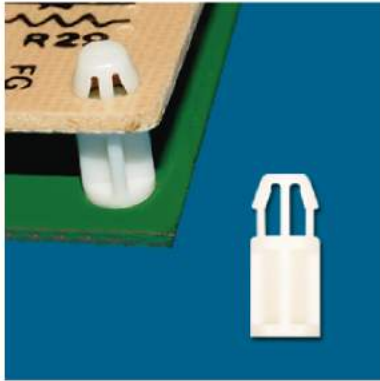
PART NO	A	T P.C.B. THICKNESS	E	PACKAGE
MCJ-07	7.0	1.4~1.6	2.4	2000



P.C.板間隔柱 SPACER SUPPORT

PINGOOD

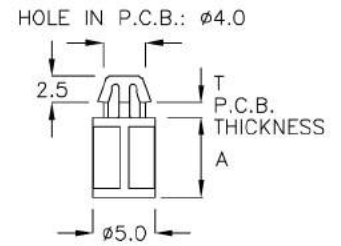
3-75-1



P.C.板間隔柱 SPACER SUPPORT

MATERIAL: NYLON 66(UL)
FLAME CLASS: 94V-2
COLOR: NATURAL

PART NO	A	T P.C.B. THICKNESS	PACKAGE
TCN-07	7.0	1.2~1.6	2000



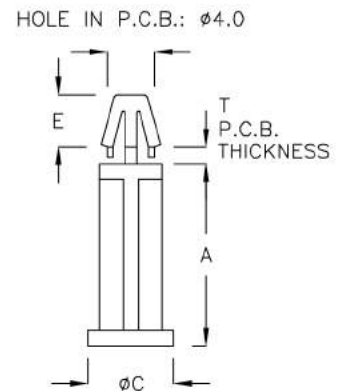
3-75-2



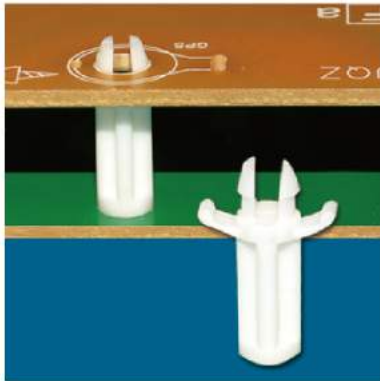
P.C.板間隔柱 SPACER SUPPORT

MATERIAL: NYLON 66(UL)
FLAME CLASS: 94V-2
COLOR: NATURAL

PART NO	A	T P.C.B. THICKNESS	C	E	PACKAGE
TCK-15	15.5	1.2~1.4	10.9	5.0	1000
TCK-17	17.5	1.2~1.4	10.9	5.0	500
TCK-21A	21.5	1.2~1.6	8.0	3.0	



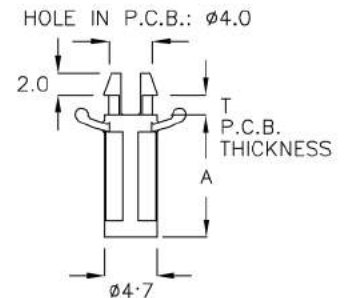
3-75-3



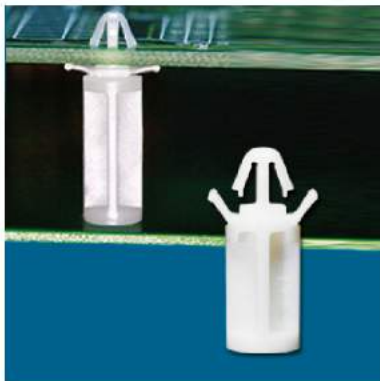
P.C.板間隔柱 SPACER SUPPORT

MATERIAL: NYLON 66(UL)
FLAME CLASS: 94V-2
COLOR: NATURAL

PART NO	A	T P.C.B. THICKNESS	PACKAGE
TCJ-11	11.0	1.2~1.6	1000
TCJ-12A	12.2	1.2~1.6	
TCJ-15	15.0	1.2~1.6	
TCJ-18	18.0	1.2~1.6	



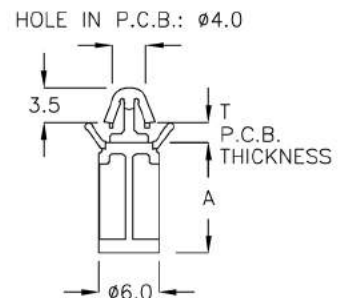
3-75-4



P.C.板間隔柱 SPACER SUPPORT

MATERIAL: NYLON 66(UL)
FLAME CLASS: 94V-2
COLOR: NATURAL

PART NO	A	T P.C.B. THICKNESS	PACKAGE
MFS-11	11.0	1.2~1.6	1000



P.C.板間隔柱 SPACER SUPPORT

PINGOOD

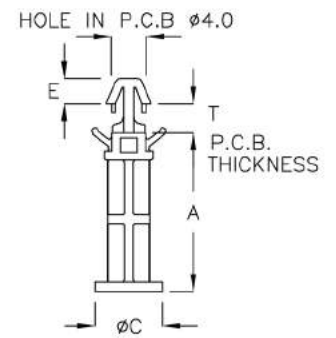
3-76-1



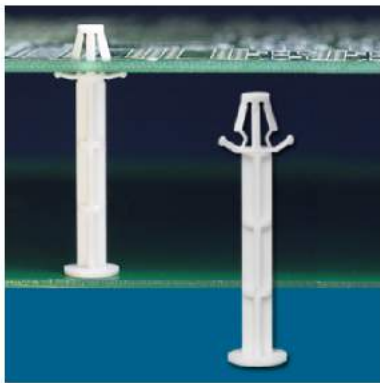
P.C.板間隔柱 SPACER SUPPORT

MATERIAL: NYLON 66(UL)
FLAME CLASS: 94V-2
COLOR: NATURAL

PART NO	A	T P.C.B. THICKNESS	C	E	PACKAGE
TCX-12	12.0	1.6~2.0	ø4.7	3.0	1000
TCX-19H	19.6	2.6~3.0	ø8.0	3.0	
TCX-21	21.0	1.4~1.8	ø8.0	3.0	500



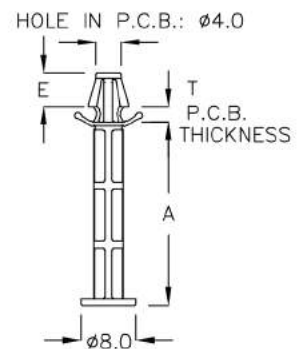
3-76-2



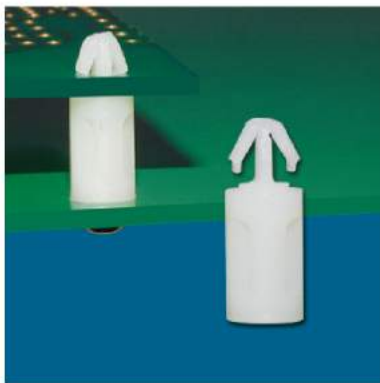
P.C.板間隔柱 SPACER SUPPORT

MATERIAL: NYLON 66(UL)
FLAME CLASS: 94V-2
COLOR: NATURAL

PART NO	A	T P.C.B. THICKNESS	E	PACKAGE
TAN-29F	29.4	1.4~1.6	4.9	500



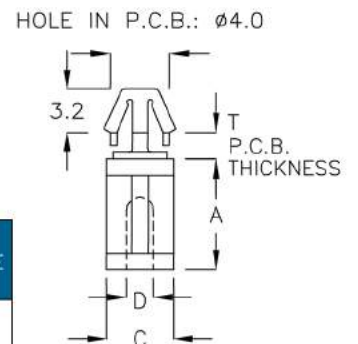
3-76-3



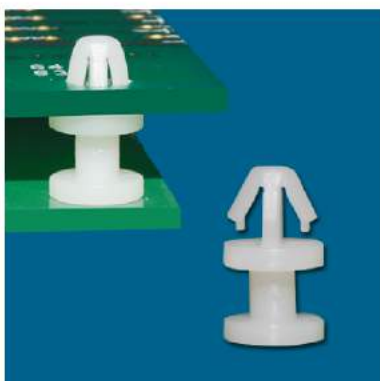
P.C.板間隔柱 SPACER SUPPORT

MATERIAL: NYLON 66(UL)
FLAME CLASS: 94V-2
COLOR: NATURAL

PART NO	A	T P.C.B. THICKNESS	C	D TAPPING SCREW	PACKAGE
MC-5	5.0	1.2~1.7	ø4.95	M2.5	2000
MC-6	6.35	1.2~1.7	ø4.9	M2.5	
MC-10	9.7	1.2~1.7	ø5.8	M2.5	1000
MC-12	12.7	1.2~1.7	ø5.8	M2.5	



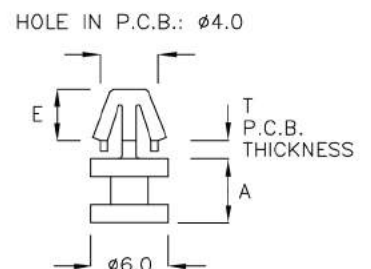
3-76-4



P.C.板間隔柱 SPACER SUPPORT

MATERIAL: NYLON 66(UL)
FLAME CLASS: 94V-2
COLOR: NATURAL

PART NO	A	T P.C.B. THICKNESS	E	PACKAGE
MC-3M	3.5	0.9~1.1	3.2	2000
MC-4M	4.5	0.9~1.1	3.2	
MC-05C	5.0	0.9~1.1	4.0	
MC-5M	5.5	0.9~1.1	3.2	
MC-6F	6.0	0.9~1.1	3.2	

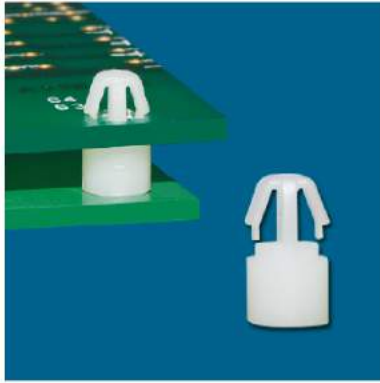


P.C.板間隔柱 SPACER SUPPORT

PINGOOD

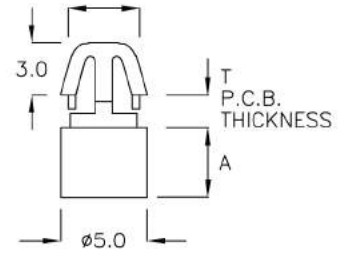
3-77-1

P.C.板間隔柱 SPACER SUPPORT



MATERIAL: NYLON 66(UL)
FLAME CLASS: 94V-2
COLOR: NATURAL

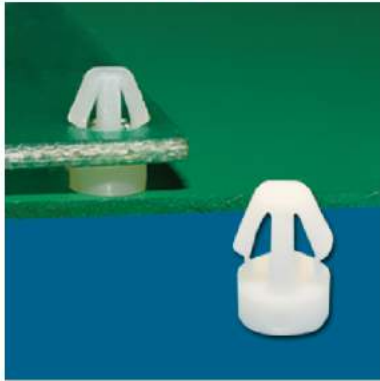
HOLE IN P.C.B.: $\phi 4.0$



PART NO	A	T P.C.B. THICKNESS	PACKAGE
MC-04F	4.0	1.2~1.6	2000

3-77-2

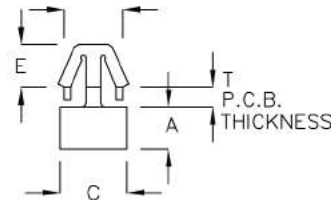
P.C.板間隔柱 SPACER SUPPORT



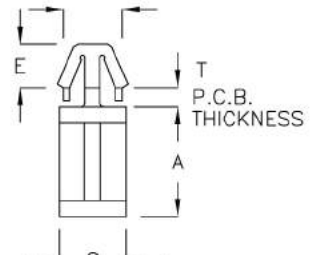
MATERIAL: NYLON 66(UL)
FLAME CLASS: 94V-2
COLOR: NATURAL

HOLE IN P.C.B.: $\phi 4.0$

HOLE IN P.C.B.: $\phi 4.0$



FORM.1



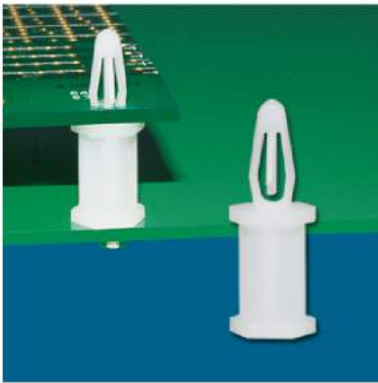
FORM.2

PART NO	A	T P.C.B. THICKNESS	C	E	FORM	PACKAGE
MC-1AK	1.5	0.6~0.8	$\phi 5.0$	3.0	1	2000
MC-002	2.0	0.6~0.8	$\phi 5.0$	3.6	1	
MC-02A	2.0	0.7~0.8	$\phi 4.8$	2.5	1	
MC-02C	2.0	0.9~1.2	$\phi 5.0$	3.8	1	
MC-2DP	2.0	0.85~1.15	$\phi 6.8$	2.2	1	
MC-2M	2.5	1.2~1.6	$\phi 5.0$	3.6	1	
MC-2NJ	2.0	0.85~1.0	$\phi 5.0$	2.2	1	
MC-2P	2.3	1.2~1.6	$\phi 5.0$	3.5	1	
MC-3	3.0	1.2~1.7	$\phi 5.1$	3.4	2	2000
MC-3A	3.0	1.6~2.0	$\phi 7.0$	2.9	2	
MC-3K	3.5	1.2~1.6	$\phi 5.0$	3.5	2	
MC-3QS	3.2	1.2~1.6	$\phi 5.0$	3.5	2	
MC-4	4.0	1.2~1.7	$\phi 5.2$	3.4	2	
★ MC-4KP	4.0	1.6~1.8	$\phi 7.0$	2.9	2	
MC-04D	4.5	1.2~1.7	$\phi 5.0$	3.3	2	
MC-5B	5.0	0.8~1.0	$\phi 5.1$	3.4	2	
MC-06A	6.5	1.2~1.7	$\phi 5.0$	3.3	2	
MC-07M	7.5	1.2~1.7	$\phi 5.0$	3.3	2	
MC-8	8.0	1.2~1.7	$\phi 4.9$	3.6	2	1000
MC-8A	8.5	1.2~1.6	$\phi 5.1$	3.3	2	
MC-09	9.0	1.2~1.6	$\phi 5.1$	3.3	2	
MC-10A	10.0	1.2~1.6	$\phi 5.1$	3.3	2	
MC-14	14.0	1.2~1.6	$\phi 5.1$	3.5	2	
MC-14C	14.5	1.2~1.6	$\phi 5.1$	3.0	2	
MC-15C	15.9	1.2~1.6	$\phi 5.1$	3.0	2	
MC-35	35.0	1.2~1.6	$\phi 5.1$	3.3	2	500

P.C.板間隔柱 SPACER SUPPORT

PINGOOD

3-78-1

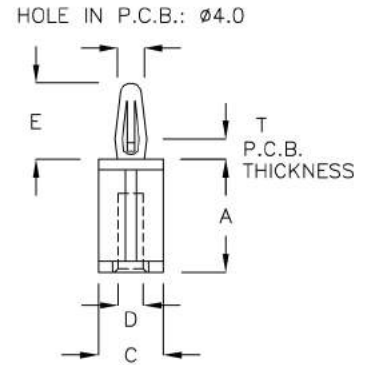


P.C.板間隔柱 SPACER SUPPORT

MATERIAL: NYLON 66(UL)

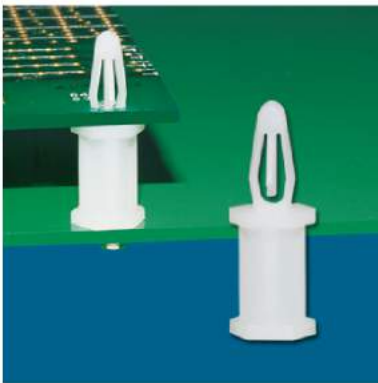
FLAME CLASS: 94V-2

COLOR: NATURAL



PART NO	A	T P.C.B. THICKNESS	C	SCREW & THICKNESS		E	PACKAGE
				D TAPPING SCREW	SUITABLE THICKNESS		
BCBS-6	6.35	1.2~1.7	9.0	M3.5X6	1.0	10.7	500
BCBS-8	8.0	1.2~1.7	8.9	M3.5X6	1.0	10.6	
BCBS-10	10.0	1.2~1.7	9.0	M3.5X6	1.0	10.1	
BCBS-12	12.7	1.2~1.7	8.9	M3.5X6	1.0	10.6	
BCBS-14	14.0	1.2~1.7	9.2	M3.5X6	1.0	10.2	
BCBS-15	15.9	1.2~1.7	9.1	M3.5X6	1.0	10.1	
BCBS-29A	29.0	1.2~1.7	9.2	M3.5X6	1.0	10.4	
BCBS-29	29.4	1.2~1.7	9.2	M3X6	1.0	10.4	

3-78-2

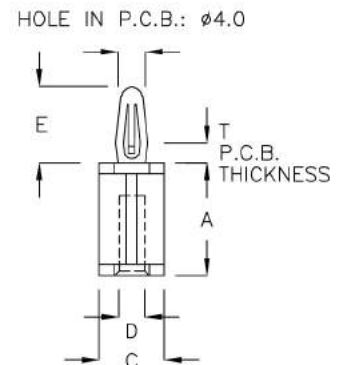


P.C.板間隔柱 SPACER SUPPORT

MATERIAL: NYLON 66(UL)

FLAME CLASS: 94V-2

COLOR: NATURAL

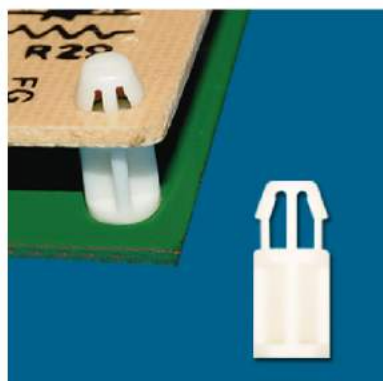


PART NO	A	T P.C.B. THICKNESS	C	SCREW & THICKNESS		E	PACKAGE
				D TAPPING SCREW	SUITABLE THICKNESS		
BCMS-6	6.35	1.2~1.7	9.0	M3X6	1.0	10.7	500
BCMS-6AD	6.0	1.2~1.7	8.6	M3X5	1.0	10.2	
BCMS-8	8.0	1.2~1.7	8.9	M3X6	1.0	10.6	
BCMS-10	10.0	1.2~1.7	9.0	M3X6	1.0	10.1	
BCMS-12	12.7	1.2~1.7	8.9	M3X6	1.0	10.6	
BCMS-14	14.0	1.2~1.7	9.2	M3X6	1.0	10.3	

P.C.板間隔柱 SPACER SUPPORT

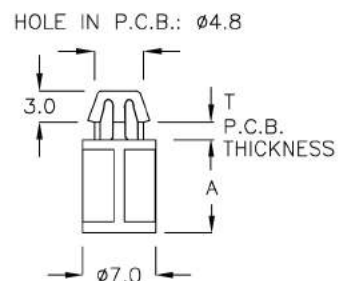
PINGOOD

3-79-1



P.C.板間隔柱 SPACER SUPPORT

MATERIAL: NYLON 66(UL)
FLAME CLASS: 94V-2
COLOR: NATURAL



PART NO	A	T P.C.B. THICKNESS	PACKAGE
TCY-09	9.0	1.2~1.6	1000
TCY-12A	12.8	1.2~1.6	
TCY-16	16.0	1.2~1.6	
TCY-18	18.0	1.2~1.6	
TCY-22	22.0	1.2~1.6	

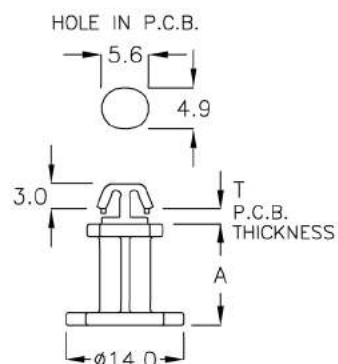
3-79-2



P.C.板間隔柱 SPACER SUPPORT

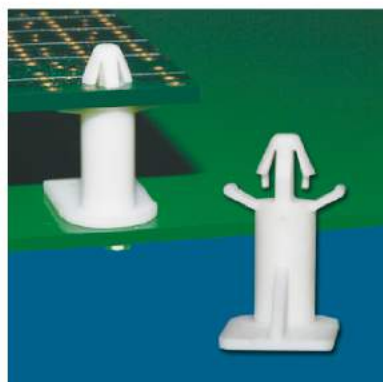
MATERIAL: NYLON 66(UL)
FLAME CLASS: 94V-2
COLOR: NATURAL

NEW



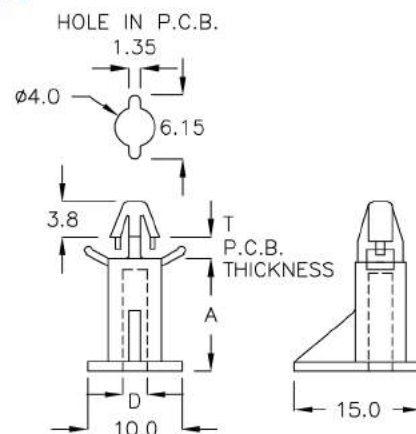
PART NO	A	T P.C.B. THICKNESS	PACKAGE
★ TCYA-12JM	12.0	1.6	1000

3-79-3



P.C.板間隔柱 SPACER SUPPORT

MATERIAL: NYLON 66(UL)
FLAME CLASS: 94V-2
COLOR: NATURAL



PART NO	A	T P.C.B. THICKNESS	SCREW & THICKNESS		PACKAGE
			D TAPPING SCREW	SUITABLE THICKNESS	
TAJ-12	12.0	1.2~2.1	M3X8	1.0	500

P.C.板間隔柱 SPACER SUPPORT

PINGOOD

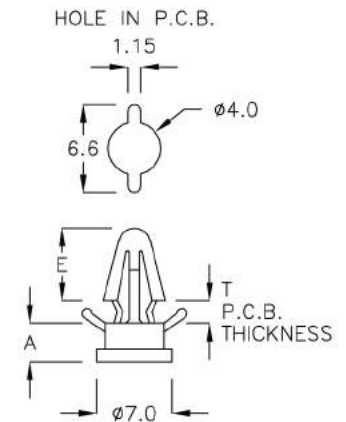
3-80-1



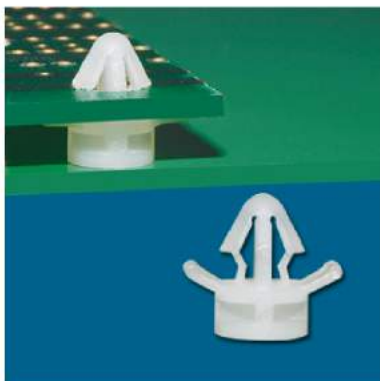
P.C.板間隔柱 SPACER SUPPORT

MATERIAL: NYLON 66(UL)
FLAME CLASS: 94V-2
COLOR: NATURAL

PART NO	A	T P.C.B. THICKNESS	E	PACKAGE
TCA-3F	3.6	1.5~1.8	6.8	1000



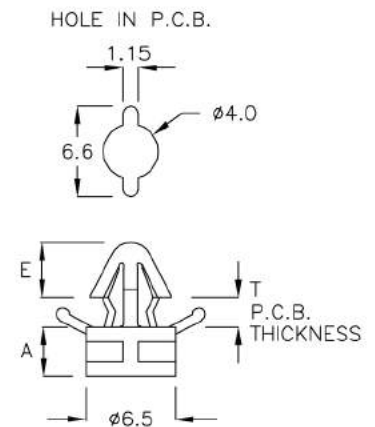
3-80-2



P.C.板間隔柱 SPACER SUPPORT

MATERIAL: NYLON 66(UL)
FLAME CLASS: 94V-2
COLOR: NATURAL

PART NO	A	T P.C.B. THICKNESS	E	PACKAGE
TCR-3A	3.6	1.2~1.7	4.0	2000



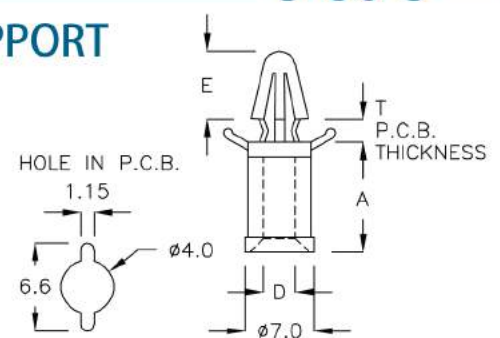
3-80-3



P.C.板間隔柱 SPACER SUPPORT

MATERIAL: NYLON 66(UL)
FLAME CLASS: 94V-2
COLOR: NATURAL

PART NO	A	T P.C.B. THICKNESS	SCREW & THICKNESS		E	PACKAGE
			D TAPPING SCREW	SUITABLE THICKNESS		
TCA-3K	3.6	1.2~1.7	M3X3	1.0	5.0	1000
TCA-4A	4.5	1.2~1.7	M3X4	1.0	6.8	500
TCA-5C	5.5	1.2~1.7	M3X5	1.0	4.0	1000
TCA-07	7.0	1.2~1.7	M3X6	1.0	6.8	
TCA-7A	7.7	1.2~1.7	M3X7	1.0	5.8	
TCA-8A	8.5	1.2~1.7	M3X7	1.0	6.8	
TCA-8C	8.5	1.2~1.7	M3X7	1.0	5.8	



P.C.板間隔柱 SPACER SUPPORT

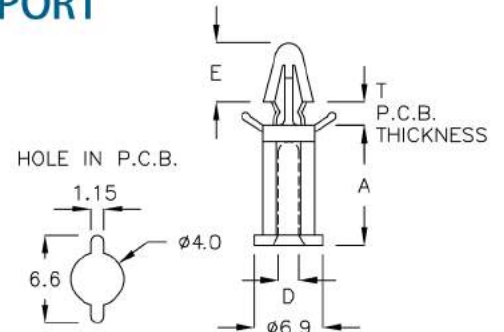
PINGOOD

3-81-1



P.C.板間隔柱 SPACER SUPPORT

MATERIAL: NYLON 66(UL)
FLAME CLASS: 94V-2
COLOR: NATURAL



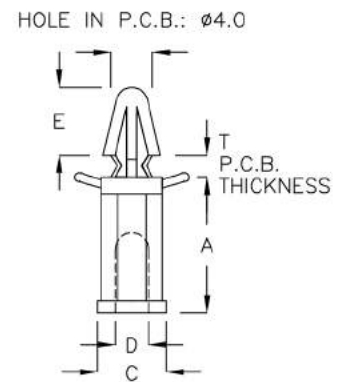
PART NO	A	T P.C.B. THICKNESS	SCREW & THICKNESS		E	PACKAGE
			D TAPPING SCREW	SUITABLE THICKNESS		
TCA-14	14.0	1.1~1.7	M3X10	1.0	7.0	500

3-81-2



P.C.板間隔柱 SPACER SUPPORT

MATERIAL: NYLON 66(UL)
FLAME CLASS: 94V-2
COLOR: NATURAL

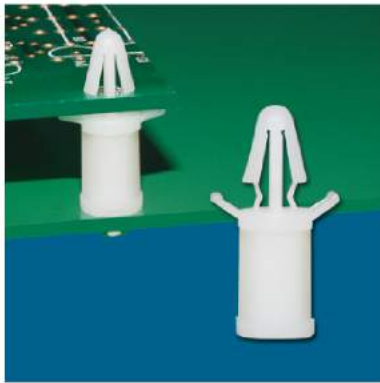


PART NO	A	T P.C.B. THICKNESS	C	SCREW & THICKNESS		E	PACKAGE
				D TAPPING SCREW	SUITABLE THICKNESS		
TCBS-5	5.0	1.2~1.9	6.9	M3X4.5	1.0	7.1	1000
TCBS-5A	5.5	1.2~1.9	6.9	M3X4.5	1.0	7.1	
TCBS-6	6.35	1.2~1.9	8.0	M3X5	1.0	6.8	
TCBS-7	7.0	1.2~1.9	7.8	M3X6	1.0	6.8	
TCBS-10	10.0	1.2~1.9	6.9	M3X6	1.0	7.1	
TCBS-12K	12.5	1.2~1.9	6.9	M3X8	1.0	6.8	
TCBS-15	15.0	1.2~1.9	6.9	M3X10	1.0	7.1	
TCBS-18	18.0	1.2~1.9	6.9	M3X10	1.0	6.8	
TCBS-20	20.0	1.2~1.9	6.8	M3X10	1.0	7.1	500
TCBS-25	25.0	1.2~1.9	6.9	M3X10	1.0	7.1	
TCBS-27A	27.4	1.2~1.9	6.9	M3X10	1.0	6.8	
TCBS-29	29.3	1.2~1.9	6.9	M3X10	1.0	6.8	
TCBS-30	30.0	1.2~1.9	6.9	M3X10	1.0	7.1	
TCBS-35	35.0	1.2~1.9	6.9	M3X10	1.0	7.1	
TCBS-38	38.0	1.2~1.9	9.9	M3X10	1.0	7.1	
TCBS-40	40.0	1.2~1.9	7.0	M3X10	1.0	7.1	
TCBS-49	49.0	1.2~1.9	8.1	M3X10	1.0	6.6	200

P.C.板間隔柱 SPACER SUPPORT

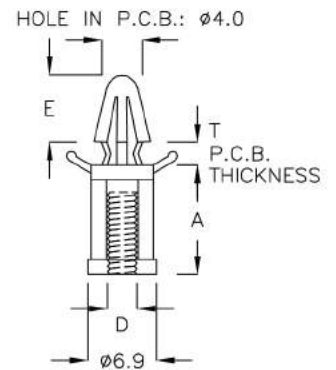
PINGOOD

3-82-1



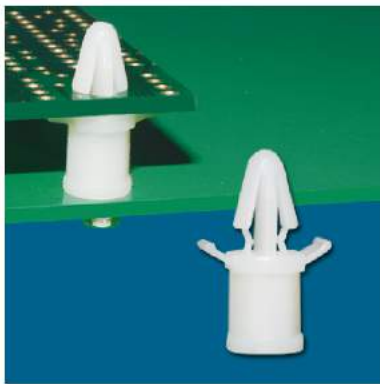
P.C.板間隔柱 SPACER SUPPORT

MATERIAL: NYLON 66(UL)
FLAME CLASS: 94V-2
COLOR: NATURAL



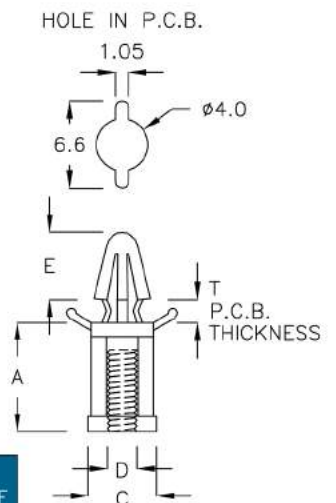
PART NO	A	T P.C.B. THICKNESS	SCREW & THICKNESS		E	PACKAGE
			D SCREW	SUITABLE THICKNESS		
TCM3-7	7.0	1.2~1.7	M3X7	1.0	6.8	1000
TCM3-8M	8.5	1.2~1.7	M3X6	1.0	6.8	
TCM3-11	11.0	1.2~1.7	M3X8	1.0	6.8	

3-82-2



P.C.板間隔柱 SPACER SUPPORT

MATERIAL: NYLON 66(UL)
FLAME CLASS: 94V-2
COLOR: NATURAL



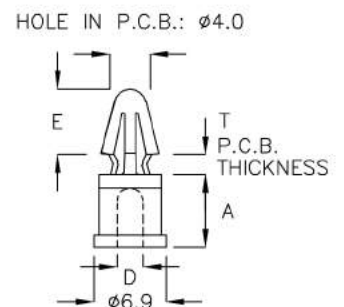
PART NO	A	T P.C.B. THICKNESS	C	SCREW & THICKNESS		E	PACKAGE
				D SCREW	SUITABLE THICKNESS		
TCM3-8MF	8.5	1.2~1.7	6.9	M3X7	1.0	6.9	1000

3-82-3



P.C.板間隔柱 SPACER SUPPORT

MATERIAL: NYLON 66(UL)
FLAME CLASS: 94V-2
COLOR: NATURAL

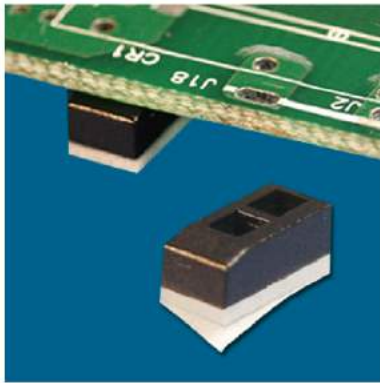


PART NO	A	T P.C.B. THICKNESS	SCREW & THICKNESS		E	PACKAGE
			D TAPPING SCREW	SUITABLE THICKNESS		
TCL-07	7.0	1.2~1.7	M3X7	1.0	6.2	1000

P.C.板間隔柱 SPACER SUPPORT

PINGOOD

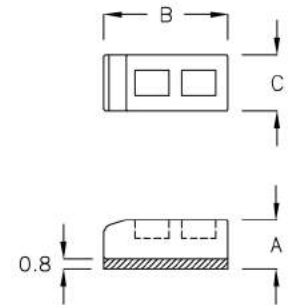
3-83-1



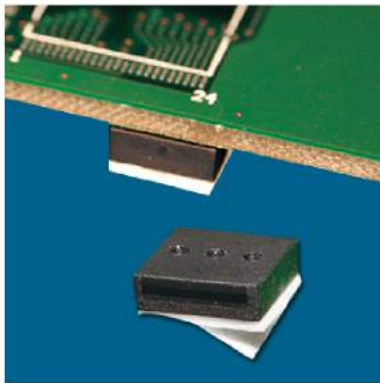
P.C.板間隔柱 SPACER SUPPORT

MATERIAL: PC(UL)
FLAME CLASS: 94V-2
COLOR: BLACK
ADHESIVE TAPE: 3M

PART NO	A	B	C	PACKAGE
MSR-4Q	3.95	10.0	4.5	2000



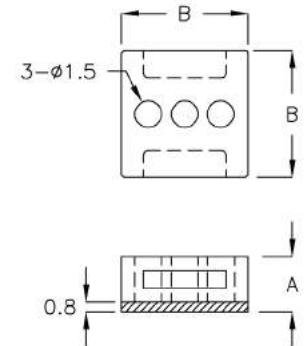
3-83-2



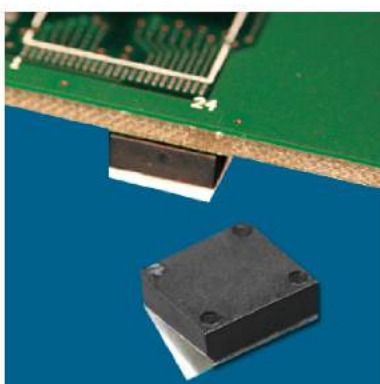
P.C.板間隔柱 SPACER SUPPORT

MATERIAL: NYLON 66(UL)
FLAME CLASS: 94V-2
COLOR: BLACK
ADHESIVE TAPE: 3M

PART NO	A	B	PACKAGE
MSK-2C	3.3	10.0	2000
MSK-2F	3.3	7.0	
MSK-3AF	3.8	10.0	1000
MSK-3D	4.3	10.0	
MSK-6K	6.1	10.0	



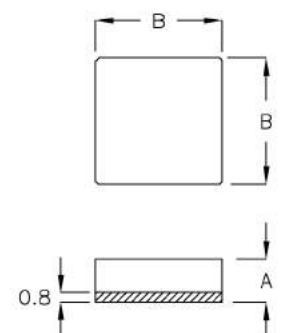
3-83-3



P.C.板間隔柱 SPACER SUPPORT

MATERIAL: NYLON 66(UL)
FLAME CLASS: 94V-2
COLOR: BLACK
ADHESIVE TAPE: 3M

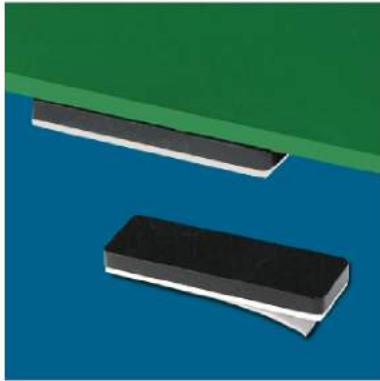
PART NO	A	B	PACKAGE
MSK-2A	3.3	10.0	2000
MSK-2RY	2.3	10.0	



P.C.板間隔柱 SPACER SUPPORT

PINGOOD

3-84-1

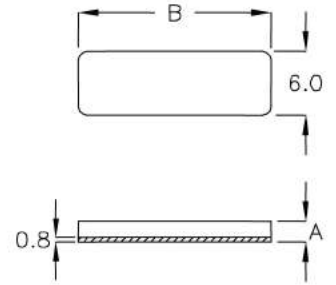


P.C.板間隔柱 SPACER SUPPORT

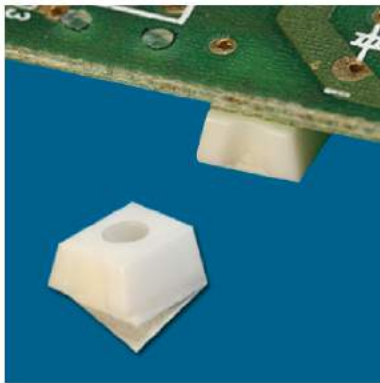
MATERIAL: NYLON 66(UL)
 FLAME CLASS: 94V-2
 COLOR: BLACK
 ADHESIVE TAPE: 3M

NEW

PART NO	A	B	PACKAGE
★MSLQ-2	2.35	18.0	1000



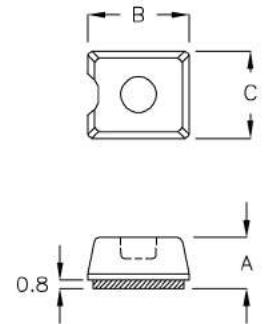
3-84-2



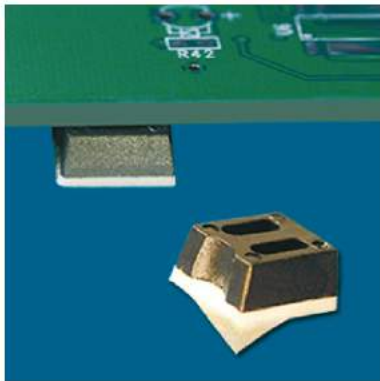
P.C.板間隔柱 SPACER SUPPORT

MATERIAL: NYLON 66(UL)
 FLAME CLASS: 94V-2
 COLOR: NATURAL
 ADHESIVE TAPE: 3M

PART NO	A	B	C	PACKAGE
MSZ-3Q	3.8	7.0	6.0	2000



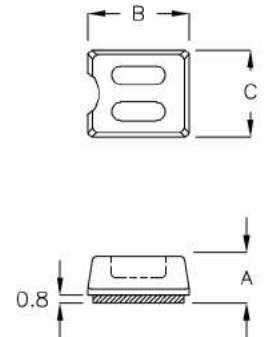
3-84-3



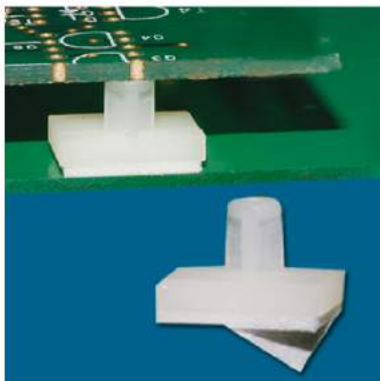
P.C.板間隔柱 SPACER SUPPORT

MATERIAL: NYLON 66(UL)
 FLAME CLASS: 94V-2
 COLOR: BLACK
 ADHESIVE TAPE: 3M

PART NO	A	B	C	PACKAGE
MSZ-3KS	3.6	7.0	6.0	2000
MSZ-4ST	5.1	7.0	6.0	
MSZ-5RY	5.75	7.0	6.0	



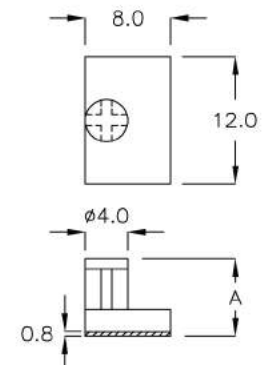
3-84-4



P.C.板間隔柱 SPACER SUPPORT

MATERIAL: NYLON 66(UL)
 FLAME CLASS: 94V-2
 COLOR: NATURAL
 ADHESIVE TAPE: 3M

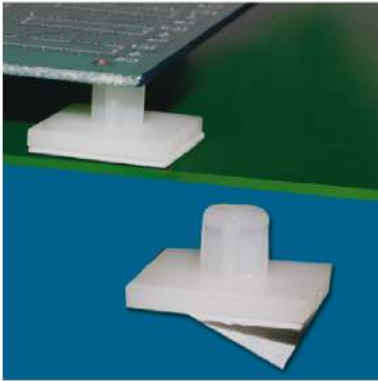
PART NO	A	PACKAGE
MSA-6A	7.7	500
MSA-10	9.8	



P.C.板間隔柱 SPACER SUPPORT

PINGOOD

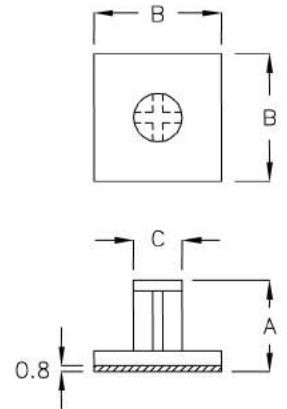
3-85-1



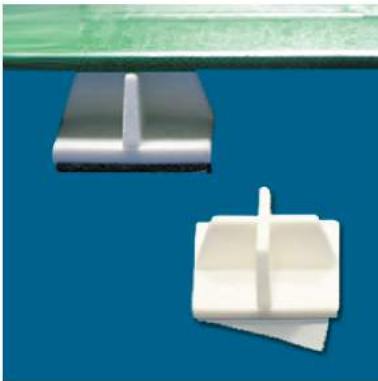
P.C.板間隔柱 SPACER SUPPORT

MATERIAL: NYLON 66(UL)
 FLAME CLASS: 94V-2
 COLOR: NATURAL
 ADHESIVE TAPE: 3M

PART NO	A	B	C	PACKAGE
MST-05	5.0	12.0	φ6.9	500
MST-6C	6.35	12.0	φ6.9	
MST-07	7.0	18.1	φ6.9	
MST-9A	9.4	18.1	φ6.9	
★ MST-10C	10.8	18.0	φ8.0	
MST-16	15.9	18.1	φ6.9	
MST-16SA	16.4	18.1	φ6.9	
★ MST-19BH	19.4	18.0	φ8.0	
★ MST-20CQ	20.6	18.1	φ6.9	
MST-22	21.8	18.0	φ6.9	
MST-37F	37.0	18.1	φ6.9	



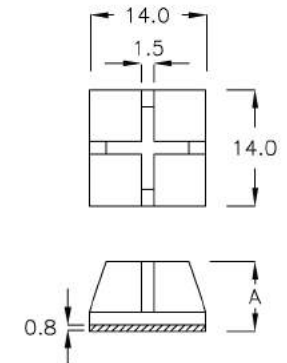
3-85-2



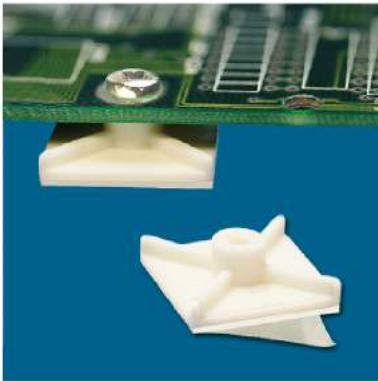
P.C.板間隔柱 SPACER SUPPORT

MATERIAL: NYLON 66(UL)
 FLAME CLASS: 94V-2
 COLOR: NATURAL
 ADHESIVE TAPE: 3M

PART NO	A	PACKAGE
MSQ-7A	8.4	500
MSQ-7C	7.5	
MSQ-27K	27.4	



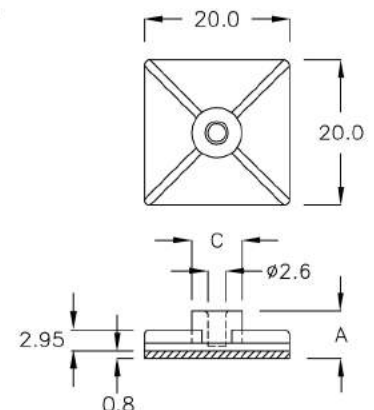
3-85-3



P.C.板間隔柱 SPACER SUPPORT

MATERIAL: NYLON 66(UL)
 FLAME CLASS: 94V-2
 COLOR: NATURAL
 ADHESIVE TAPE: 3M
 SCREW: M3 TAPPING SCREW

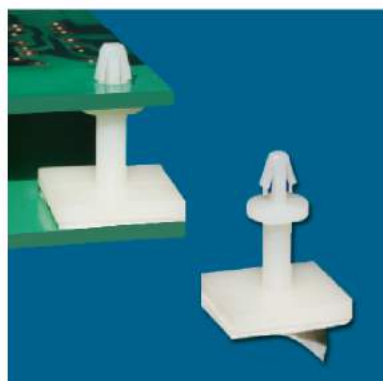
PART NO	A	C	PACKAGE
MSS-6A	6.35	φ7.0	500



P.C.板間隔柱 SPACER SUPPORT

PINGOOD

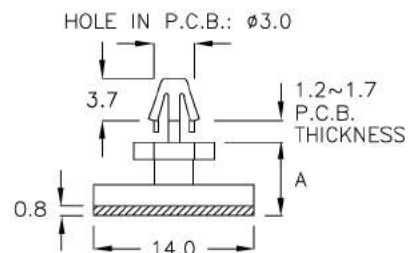
3-86-1



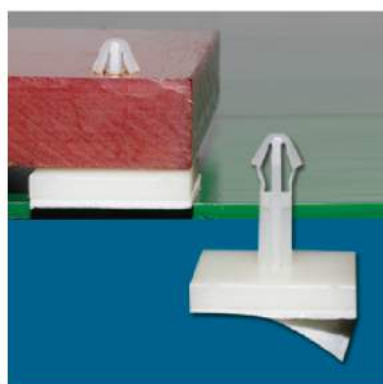
P.C.板間隔柱 SPACER SUPPORT

MATERIAL: NYLON 66(UL)
FLAME CLASS: 94V-2
COLOR: NATURAL
ADHESIVE TAPE: 3M

PART NO	A	ADHESIVE AREA	PACKAGE
MSB-6A	6.3	14.0x14.0	500
MSB-11A	12.6	14.0x14.0	



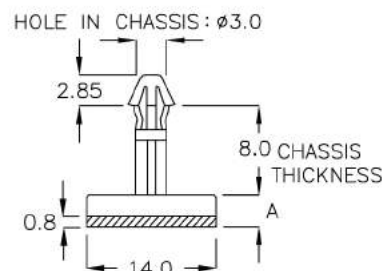
3-86-2



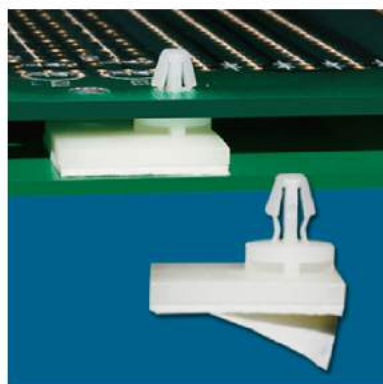
P.C.板間隔柱 SPACER SUPPORT

MATERIAL: NYLON 66(UL)
FLAME CLASS: 94V-2
COLOR: NATURAL
ADHESIVE TAPE: 3M

PART NO	A	ADHESIVE AREA	PACKAGE
MSP-03	2.8	14.0x16.0	2000



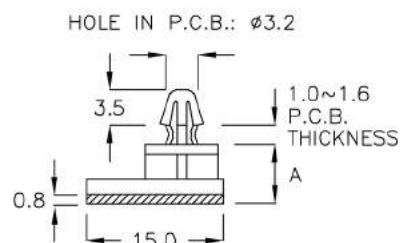
3-86-3



P.C.板間隔柱 SPACER SUPPORT

MATERIAL: NYLON 66(UL)
FLAME CLASS: 94V-2
COLOR: NATURAL
ADHESIVE TAPE: 3M

PART NO	A	ADHESIVE AREA	PACKAGE
AAA-01	3.0	15.0x15.0	500
AAA-3A	4.5	15.0x15.0	



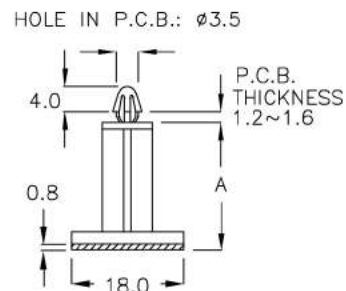
3-86-4



P.C.板間隔柱 SPACER SUPPORT

MATERIAL: NYLON 66(UL)
FLAME CLASS: 94V-2
COLOR: NATURAL
ADHESIVE TAPE: 3M

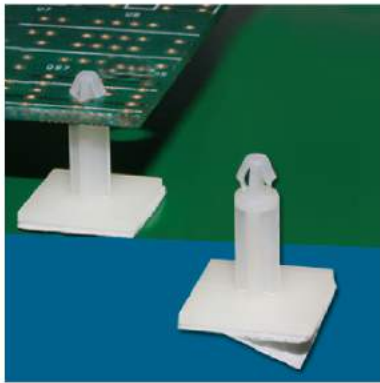
PART NO	A	ADHESIVE AREA	PACKAGE
MSC-20A	20.3	18.0x18.0	500



P.C.板間隔柱 SPACER SUPPORT

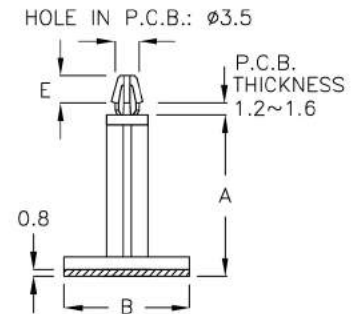
PINGOOD

3-87-1



P.C.板間隔柱 SPACER SUPPORT

MATERIAL: NYLON 66(UL)
 FLAME CLASS: 94V-2
 COLOR: NATURAL
 ADHESIVE TAPE: 3M



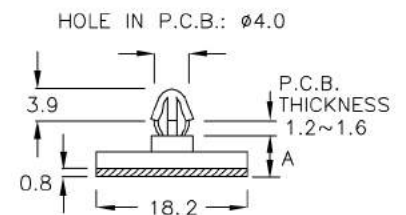
PART NO	A	E	B ADHESIVE AREA	PACKAGE
MSF-13F	13.8	2.9	14.5x14.5	1000
MSF-25	25.1	3.85	18.0x18.0	200

3-87-2



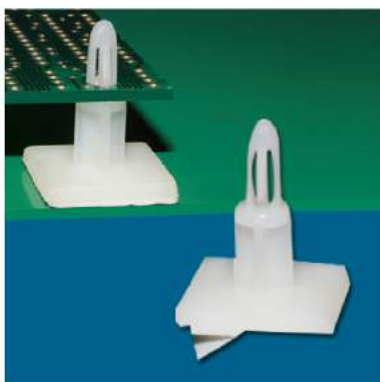
P.C.板間隔柱 SPACER SUPPORT

MATERIAL: NYLON 66(UL)
 FLAME CLASS: 94V-2
 COLOR: NATURAL
 ADHESIVE TAPE: 3M



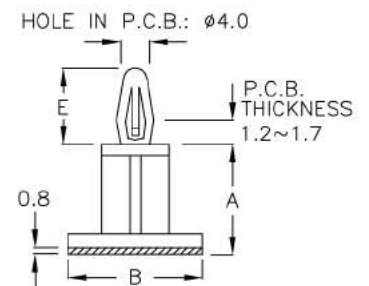
PART NO	A	ADHESIVE AREA	PACKAGE
SCTMS-5	4.7	18.2x18.2	500

3-87-3



P.C.板間隔柱 SPACER SUPPORT

MATERIAL: NYLON 66(UL)
 FLAME CLASS: 94V-2
 COLOR: NATURAL
 ADHESIVE TAPE: 3M

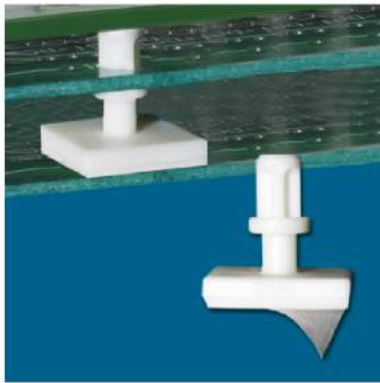


PART NO	A	E	B	ADHESIVE AREA	PACKAGE
MS-6	6.25	10.2	18.0	18.0x18.0	500
MS-8	7.9	9.7	18.0	18.0x18.0	
MS-10	9.5	10.2	18.0	18.0x18.0	
MS-11A	11.5	4.9	18.0	18.0x18.0	
MS-12	12.6	10.3	18.0	18.0x18.0	
MS-16A	16.4	10.2	19.9	19.9x19.9	200
MS-19	19.3	10.2	18.0	18.0x18.0	
MS-22	22.2	9.6	18.0	18.0x18.0	

P.C.板間隔柱 SPACER SUPPORT

PINGOOD

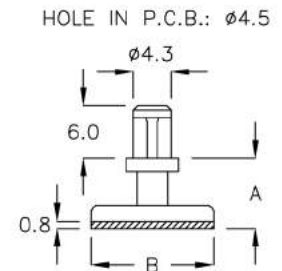
3-88-1



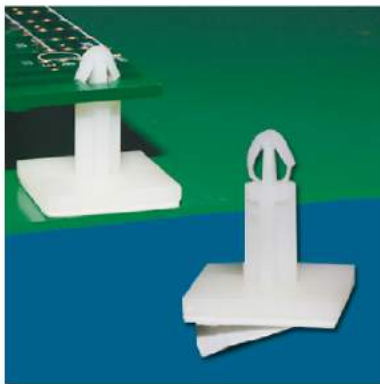
P.C.板間隔柱 SPACER SUPPORT

MATERIAL: NYLON 66(UL)
FLAME CLASS: 94V-2
COLOR: NATURAL
ADHESIVE TAPE: 3M

PART NO	A	B	ADHESIVE AREA	PACKAGE
MSH-8RL	8.0	14.0	14.0x14.0	500



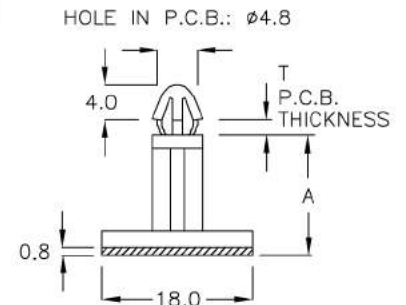
3-88-2



P.C.板間隔柱 SPACER SUPPORT

MATERIAL: NYLON 66(UL)
FLAME CLASS: 94V-2
COLOR: NATURAL
ADHESIVE TAPE: 3M

PART NO	A	ADHESIVE AREA	T P.C.B. THICKNESS	PACKAGE
MSD-15	14.2	18.0x18.0	1.2~1.6	500



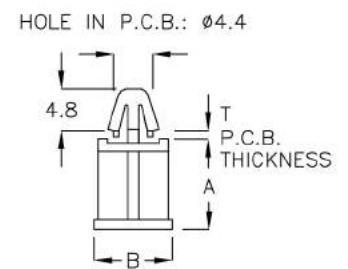
3-88-3



P.C.板間隔柱 SPACER SUPPORT

MATERIAL: NYLON 66(UL)
FLAME CLASS: 94V-2
COLOR: NATURAL

PART NO	A	B	T P.C.B. THICKNESS	PACKAGE
TCT-10A	10.8	$\phi 9.0$	0.6~0.8	1000



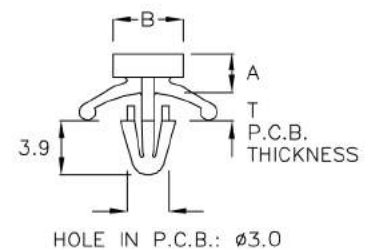
3-88-4



P.C.板間隔柱 SPACER SUPPORT

MATERIAL: NYLON 66(UL)
FLAME CLASS: 94V-2
COLOR: NATURAL

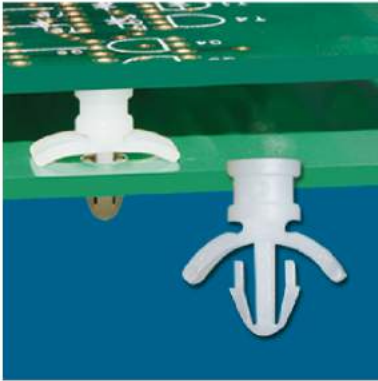
PART NO	A	B	T P.C.B. THICKNESS	PACKAGE
LSJ-2A	2.8	$\phi 5.0$	0.8~1.4	1000



P.C.板間隔柱 SPACER SUPPORT

PINGOOD

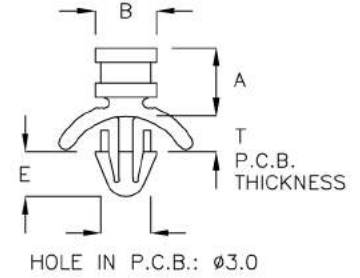
3-89-1



P.C.板間隔柱 SPACER SUPPORT

MATERIAL: NYLON 66(UL)
FLAME CLASS: 94V-2
COLOR: NATURAL

PART NO	A	B	E	T P.C.B. THICKNESS	PACKAGE
LSF-05	5.15	∅4.3	3.15	0.8~1.6	2000
LSF-8KM	8.25	∅4.5	3.2	0.8~2.0	



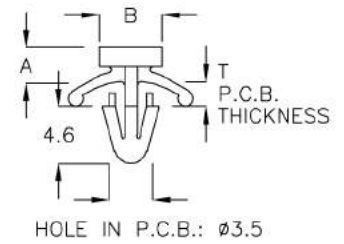
3-89-2



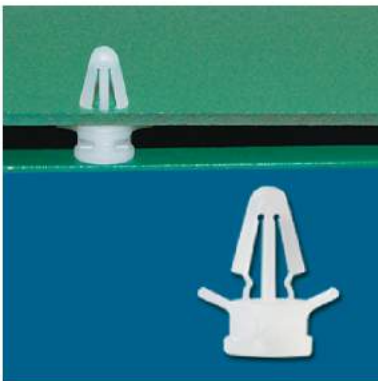
P.C.板間隔柱 SPACER SUPPORT

MATERIAL: NYLON 66(UL)
FLAME CLASS: 94V-2
COLOR: NATURAL

PART NO	A	B	T P.C.B. THICKNESS	PACKAGE
LSH-2A	2.7	∅5.0	0.8~1.6	1000
LSH-2DH	1.8	∅5.0	0.8~1.6	



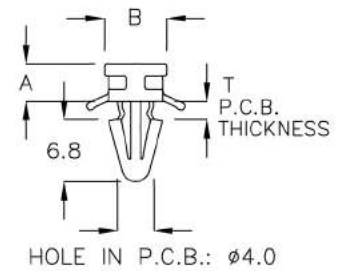
3-89-3



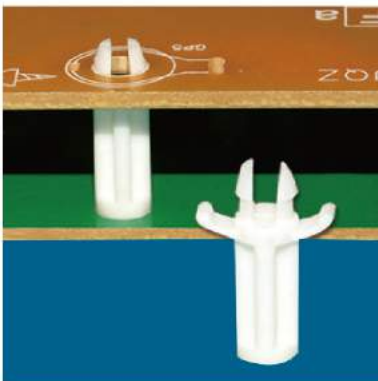
P.C.板間隔柱 SPACER SUPPORT

MATERIAL: NYLON 66(UL)
FLAME CLASS: 94V-2
COLOR: NATURAL

PART NO	A	B	T P.C.B. THICKNESS	PACKAGE
TCBK-4A	4.1	∅6.8	1.2~1.6	1000



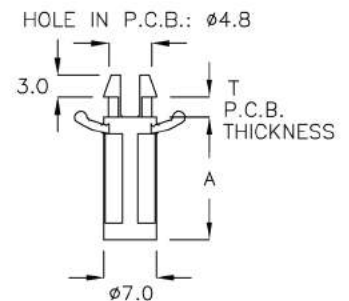
3-89-4



P.C.板間隔柱 SPACER SUPPORT

MATERIAL: NYLON 66(UL)
FLAME CLASS: 94V-2
COLOR: NATURAL

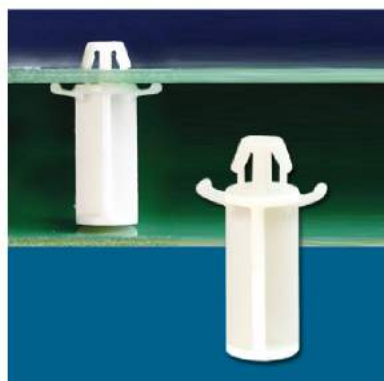
PART NO	A	T P.C.B. THICKNESS	PACKAGE
TCG-09	9.0	1.4~1.6	1000
TCG-16	16.0	1.4~1.6	



P.C.板間隔柱 SPACER SUPPORT

PINGOOD

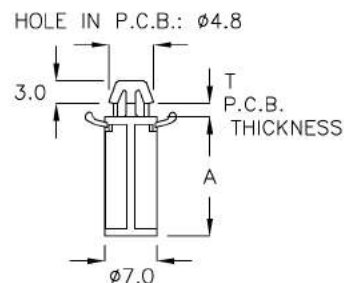
3-90-1



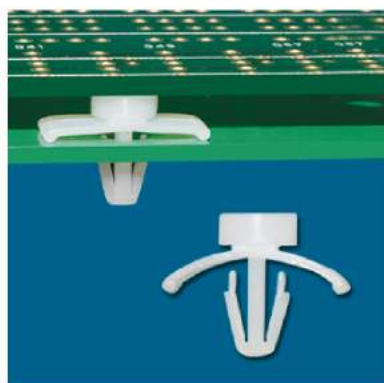
P.C.板間隔柱 SPACER SUPPORT

MATERIAL: NYLON 66(UL)
FLAME CLASS: 94V-2
COLOR: NATURAL

PART NO	A	T P.C.B. THICKNESS	PACKAGE
TBK-14A	14.7	1.4~1.6	500
TBK-16F	16.0	1.4~1.6	1000
TBK-20	20.0	1.4~1.6	500
TBK-22	22.0	1.4~1.6	
TBK-34	34.0	1.4~1.6	



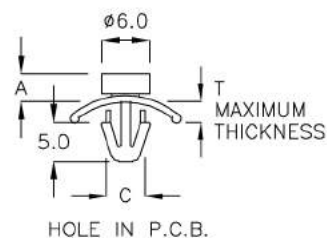
3-90-2



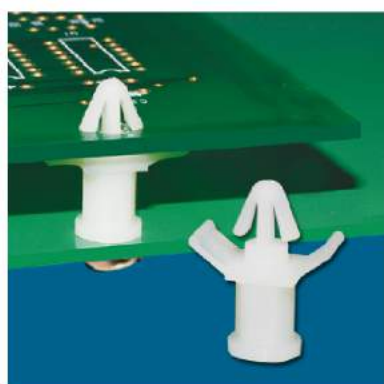
P.C.板間隔柱 SPACER SUPPORT

MATERIAL: NYLON 66(UL)
FLAME CLASS: 94V-2
COLOR: NATURAL

PART NO	A	C	T MAXIMUM THICKNESS	PACKAGE
LSC-3A	3.8	4.8~5.0	2.1	1000
LSC-3C	3.7	4.0	2.1	



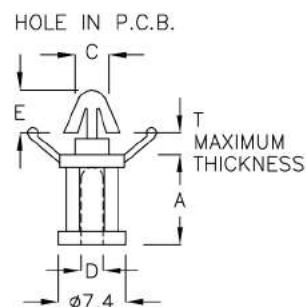
3-90-3



P.C.板間隔柱 SPACER SUPPORT

MATERIAL: NYLON 66(UL)
FLAME CLASS: 94V-2
COLOR: NATURAL

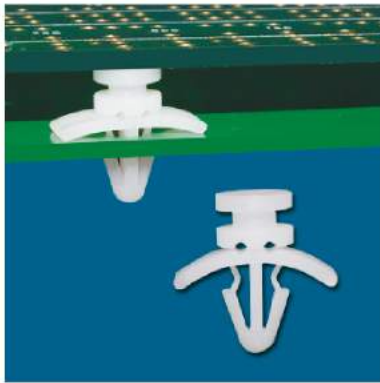
PART NO	A	C	T MAXIMUM THICKNESS	D TAPPING SCREW	E	PACKAGE
LSC-5	4.8	4.8~5.0	2.0	M3	5.6	1000
LSC-10	9.4	4.8~5.0	2.0	M3	5.6	
LSC-12	12.7	4.8~5.0	2.0	M3	5.6	500
LSC-15A	15.9	4.5~4.6	2.0	M3	5.6	
LSC-19	19.1	4.5~4.6	2.0	M3	5.6	



P.C.板間隔柱 SPACER SUPPORT

PINGOOD

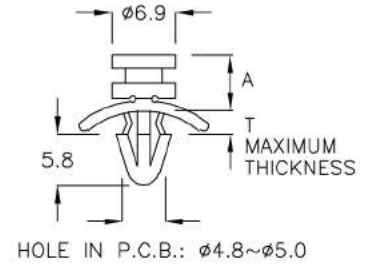
3-91-1



P.C.板間隔柱 SPACER SUPPORT

MATERIAL: NYLON 66(UL)
FLAME CLASS: 94V-2
COLOR: NATURAL

PART NO	A	T MAXIMUM THICKNESS	PACKAGE
LSC-6	6.35	2.0	1000



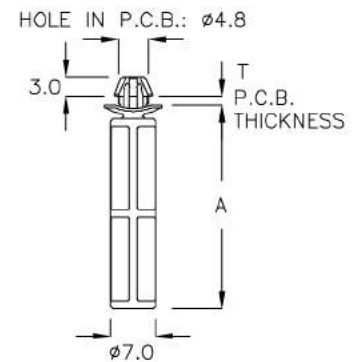
3-91-2



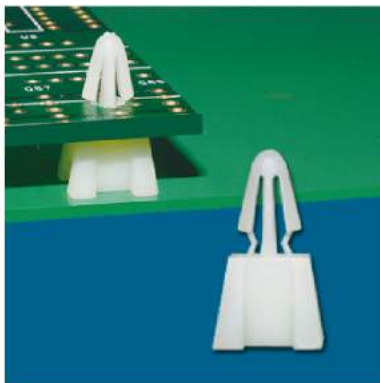
P.C.板間隔柱 SPACER SUPPORT

MATERIAL: NYLON 66(UL)
FLAME CLASS: 94V-2
COLOR: NATURAL

PART NO	A	T P.C.B. THICKNESS	PACKAGE
TBW-36A	36.2	1.6	500



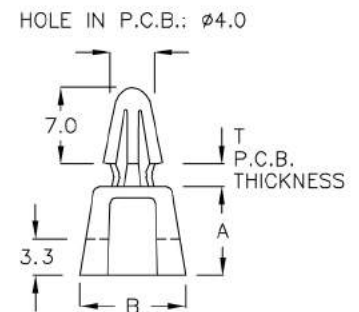
3-91-3



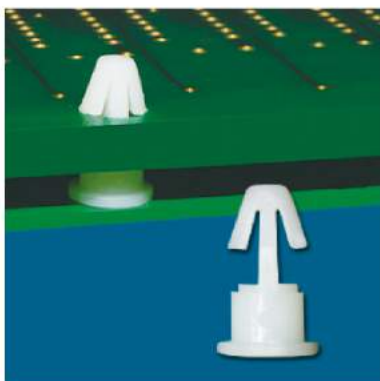
P.C.板間隔柱 SPACER SUPPORT

MATERIAL: NYLON 66(UL)
FLAME CLASS: 94V-2
COLOR: NATURAL

PART NO	A	B	T P.C.B. THICKNESS	PACKAGE
TCP-08	7.9	9.5	1.3~1.6	500



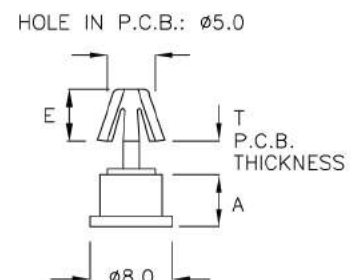
3-91-4



P.C.板間隔柱 SPACER SUPPORT

MATERIAL: NYLON 66(UL)
FLAME CLASS: 94V-2
COLOR: NATURAL

PART NO	A	T P.C.B. THICKNESS	E	PACKAGE
MA-005	5.0	2.8~3.0	5.1	1000
MA-012	12.0	2.8~3.0	5.0	500
MA-014	14.0	2.8~3.0	5.0	



P.C.板間隔柱 SPACER SUPPORT

PINGOOD

3-92-1

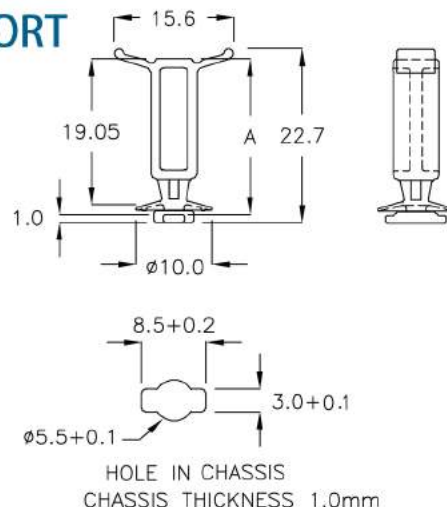


P.C.板間隔柱 SPACER SUPPORT

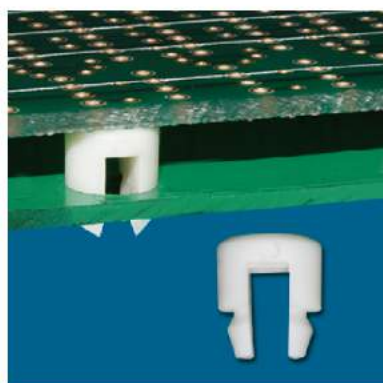
MATERIAL: NYLON 66(UL)
FLAME CLASS: 94V-2
COLOR: NATURAL

Insert With 90 Degree Angle
And Press Down

PART NO	A	PACKAGE
KPD-24A	20.4	1000



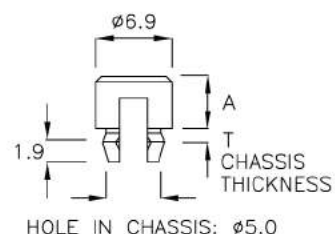
3-92-2



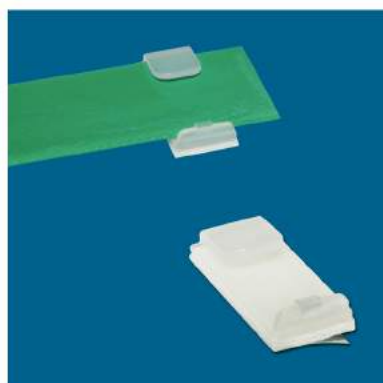
P.C.板間隔柱 SPACER SUPPORT

MATERIAL: NYLON 66(UL)
FLAME CLASS: 94V-2
COLOR: NATURAL

PART NO	A	T CHASSIS THICKNESS	PACKAGE
MHG-05	4.7	0.6~0.8	1000



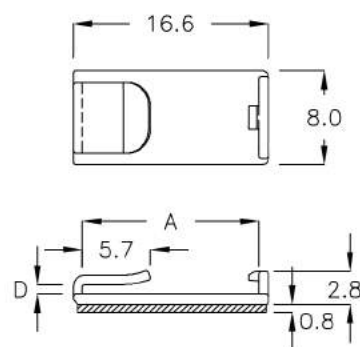
3-92-3



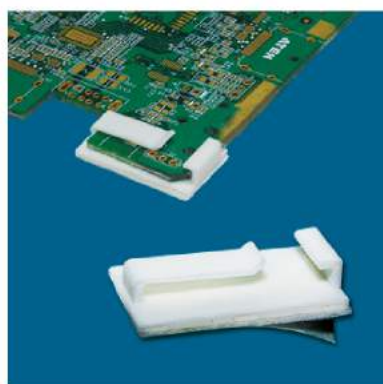
P.C.板間隔柱 SPACER SUPPORT

MATERIAL: NYLON 66(UL)
FLAME CLASS: 94V-2
COLOR: NATURAL
ADHESIVE TAPE: 3M

PART NO	A	D	PACKAGE
FKD-16Y	15.0	0.8	200



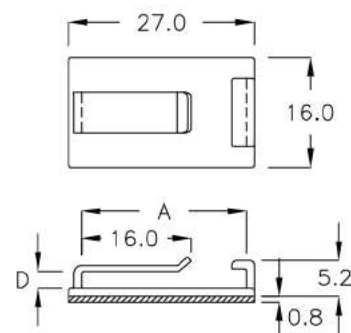
3-92-4



P.C.板間隔柱 SPACER SUPPORT

MATERIAL: NYLON 66(UL)
FLAME CLASS: 94V-2
COLOR: NATURAL
ADHESIVE TAPE: 3M

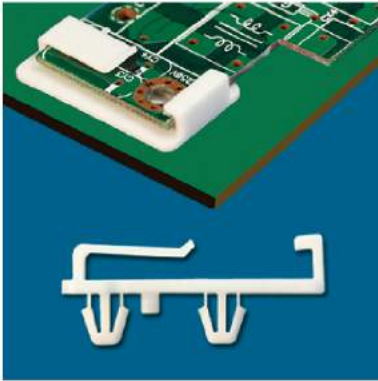
PART NO	A	D	PACKAGE
FKM-27JC	23.8	2.4	200



P.C.板間隔柱 SPACER SUPPORT

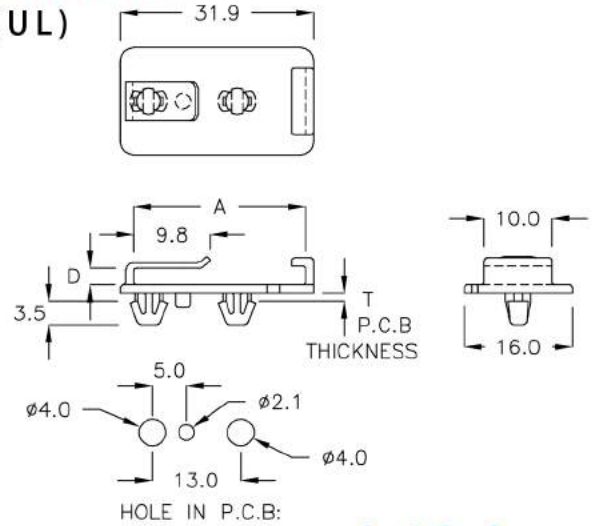
PINGOOD

3-93-1



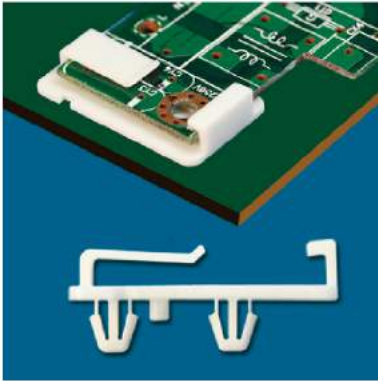
P.C.板間隔柱 SPACER SUPPORT

MATERIAL: NYLON 66(UL)
FLAME CLASS: 94V-2
COLOR: NATURAL



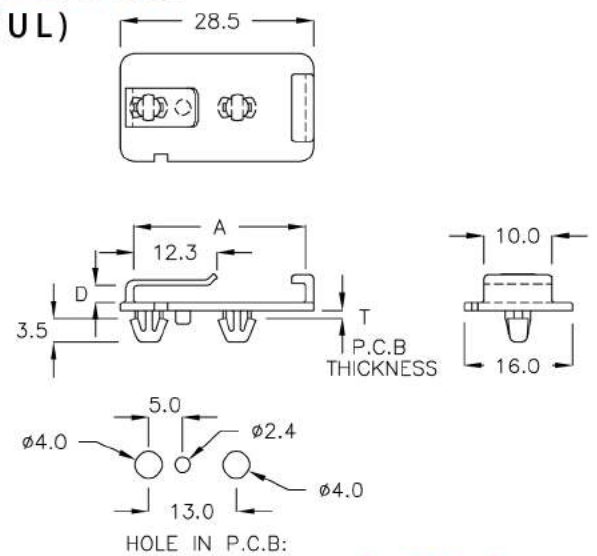
PART NO	A	D	T P.C.B THICKNESS	PACKAGE
FKC-31AP	28.7	1.7	0.5~0.8	200
FKC-31Y	28.7	2.5	0.6~0.8	

3-93-2



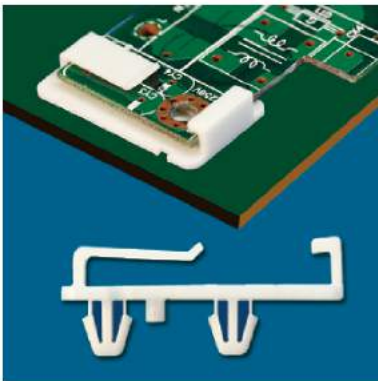
P.C.板間隔柱 SPACER SUPPORT

MATERIAL: NYLON 66(UL)
FLAME CLASS: 94V-2
COLOR: NATURAL



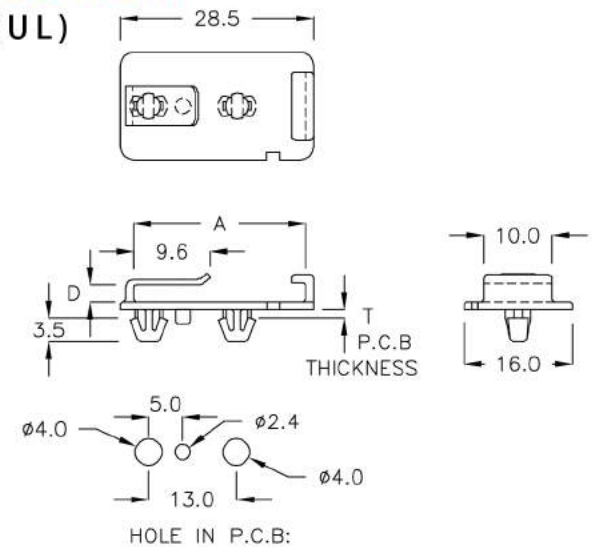
PART NO	A	D	T P.C.B THICKNESS	PACKAGE
FKC-28AS	25.3	2.5	0.6~0.8	200

3-93-3



P.C.板間隔柱 SPACER SUPPORT

MATERIAL: NYLON 66(UL)
FLAME CLASS: 94V-2
COLOR: NATURAL



PART NO	A	D	T P.C.B THICKNESS	PACKAGE
FKC-28PQ	25.3	2.5	0.6~0.8	200

P.C.板間隔柱 SPACER SUPPORT

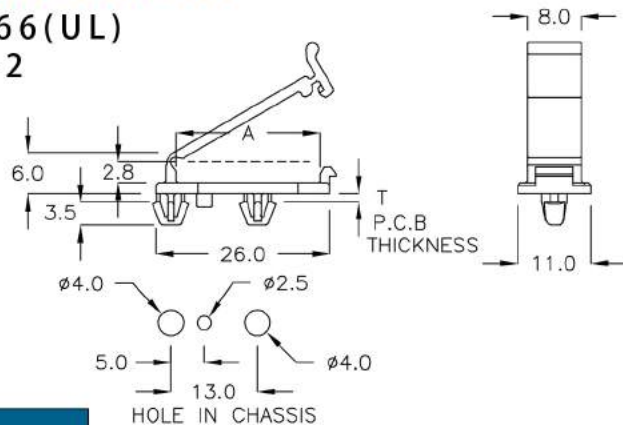
PINGOOD

3-94-1



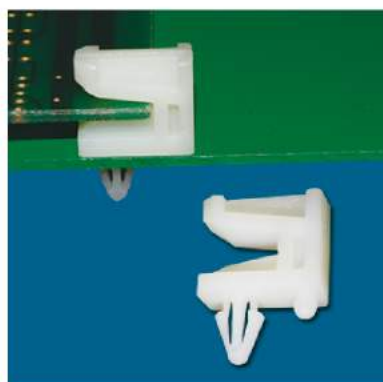
P.C.板間隔柱 SPACER SUPPORT

MATERIAL: NYLON 66(UL)
FLAME CLASS: 94V-2
COLOR: BLACK



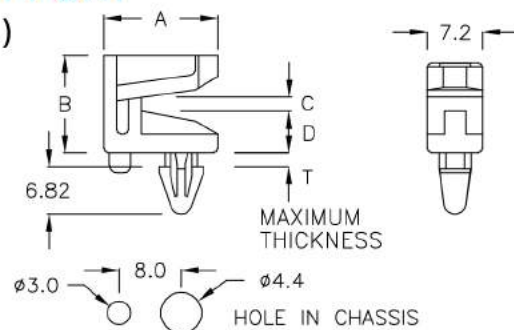
PART NO	A	T P.C.B. THICKNESS	PACKAGE
CYF-21	21.6	0.6~0.8	100

3-94-2



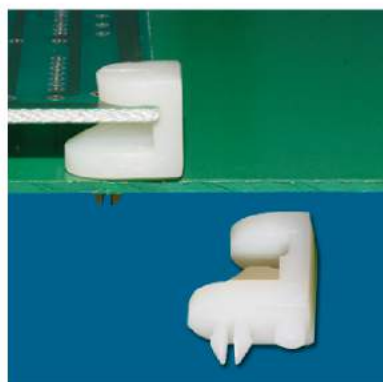
P.C.板間隔柱 SPACER SUPPORT

MATERIAL: NYLON 66(UL)
FLAME CLASS: 94V-2
COLOR: NATURAL



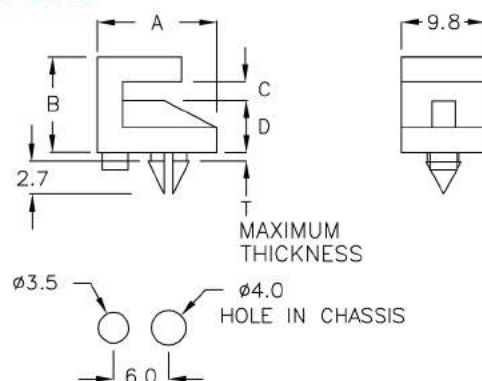
PART NO	A	B	C	D	T MAXIMUM THICKNESS	PACKAGE
UB-05A	15.0	12.8	1.8	5.5	1.6	500

3-94-3



P.C.板間隔柱 SPACER SUPPORT

MATERIAL: NYLON 66(UL)
FLAME CLASS: 94V-2
COLOR: NATURAL

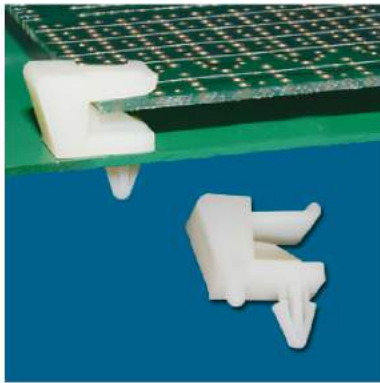


PART NO	A	B	C	D	T MAXIMUM THICKNESS	PACKAGE
UB-6	12.6	10.8	1.7	6.0	1.0	500

P.C.板間隔柱SPACER SUPPORT

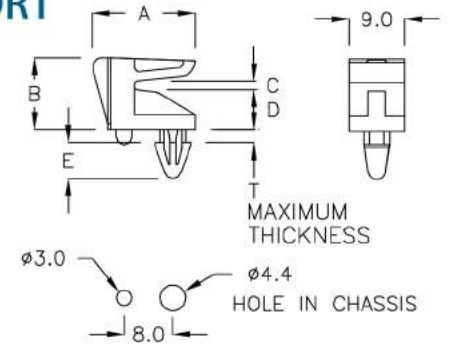
PINGOOD

3-95-1



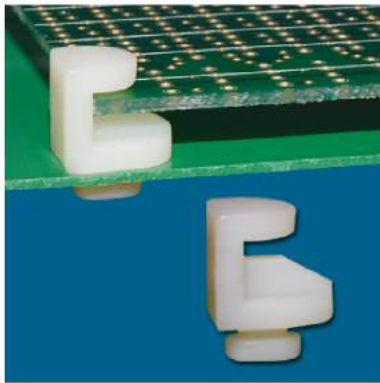
P.C.板間隔柱 SPACER SUPPORT

MATERIAL: NYLON 66(UL)
FLAME CLASS: 94V-2
COLOR: NATURAL



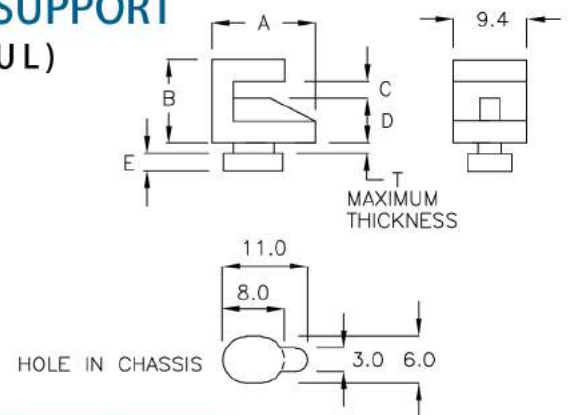
PART NO	A	B	C	D	E	T MAXIMUM THICKNESS	PACKAGE
UB-6BT	17.4	11.8	1.3	6.5	6.3	1.6	500
UB-6CT	17.5	11.8	1.6	6.35	6.0	1.6	

3-95-2



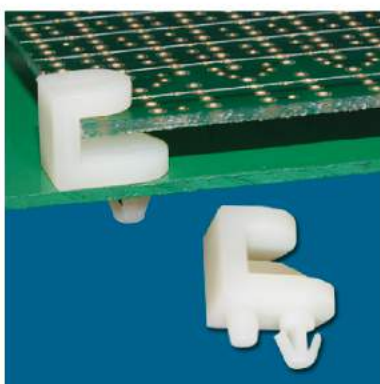
P.C.板間隔柱 SPACER SUPPORT

MATERIAL: NYLON 66(UL)
FLAME CLASS: 94V-2
COLOR: NATURAL



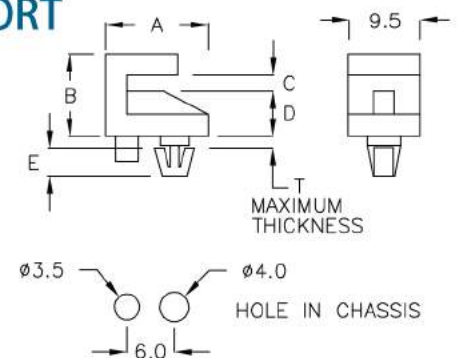
PART NO	A	B	C	D	E	T MAXIMUM THICKNESS	PACKAGE
UB-6A	12.5	10.7	1.9	5.9	2.6	1.2	500
UB-6D	12.3	11.5	2.3	6.4	2.5	1.2	

3-95-3



P.C.板間隔柱 SPACER SUPPORT

MATERIAL: NYLON 66(UL)
FLAME CLASS: 94V-2
COLOR: NATURAL

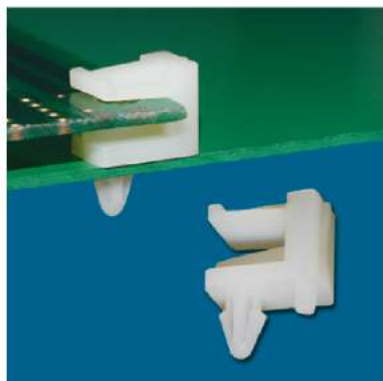


PART NO	A	B	C	D	E	T MAXIMUM THICKNESS	PACKAGE
UB-6E	13.5	10.8	2.2	6.4	3.5	1.3	500
UB-6K	13.4	10.8	2.1	6.0	3.7	2.1	

P.C.板間隔柱 SPACER SUPPORT

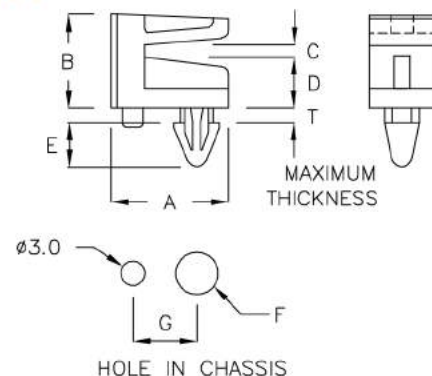
PINGOOD

3-96-1



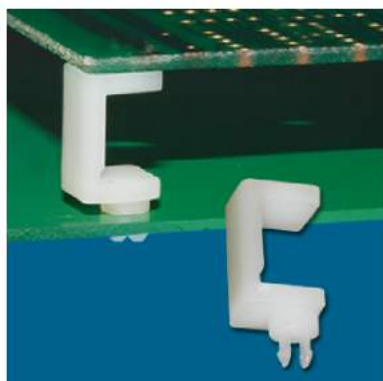
P.C.板間隔柱 SPACER SUPPORT

MATERIAL: NYLON 66(UL)
FLAME CLASS: 94V-2
COLOR: NATURAL



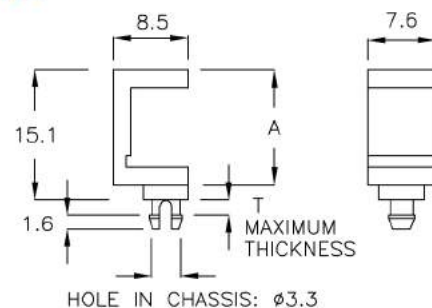
PART NO	A	B	C	D	E	F	G	T MAXIMUM THICKNESS	PACKAGE
UB-06H	21.5	11.8	1.3	6.6	6.0	∅4.4	8.0	1.6	500
UB-6T	14.8	11.9	1.3	6.6	5.9	∅4.4	8.0	1.7	
UB-06U	12.0	11.8	1.3	6.6	6.0	∅4.4	6.5	1.8	
UB-08U	12.0	14.0	2.0	8.5	7.0	∅4.4	6.5	0.8	
UB-14T	15.0	19.2	1.3	14.0	5.9	∅4.4	8.0	1.8	
UB-18T	15.5	23.6	1.6	18.2	6.0	∅5.0	8.5	1.8	200

3-96-2



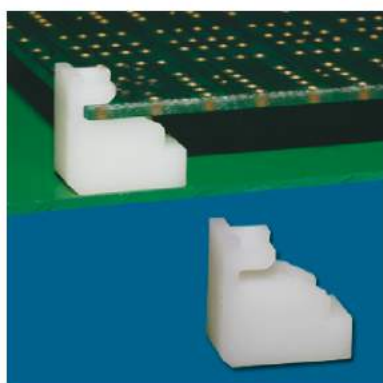
P.C.板間隔柱 SPACER SUPPORT

MATERIAL: NYLON 66(UL)
FLAME CLASS: 94V-2
COLOR: NATURAL



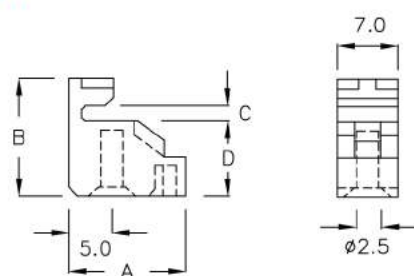
PART NO	A	T MAXIMUM THICKNESS	PACKAGE
UB-7	13.3	1.6	500

3-96-3



P.C.板間隔柱 SPACER SUPPORT

MATERIAL: NYLON 66(UL)
FLAME CLASS: 94V-2
COLOR: NATURAL
SCREW: TAPPING SCREW M3

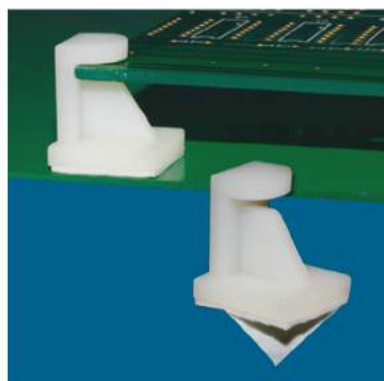


PART NO	A	B	C	D	PACKAGE
UB-09K	13.5	13.6	1.8	8.6	500

P.C.板間隔柱SPACER SUPPORT

PINGOOD

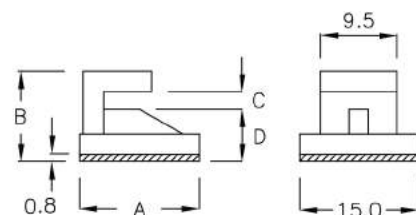
3-97-1



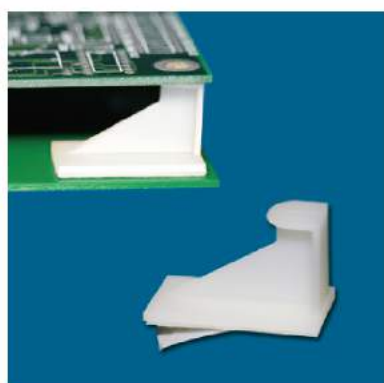
P.C.板間隔柱 SPACER SUPPORT

MATERIAL: NYLON 66(UL)
 FLAME CLASS: 94V-2
 COLOR: NATURAL
 ADHESIVE TAPE: 3M

PART NO	A	B	C	D	PACKAGE
UB-6F	15.0	11.1	2.2	6.35	500
UB-11F	15.0	15.8	2.4	10.8	
UB-12F	15.0	16.7	2.3	11.9	



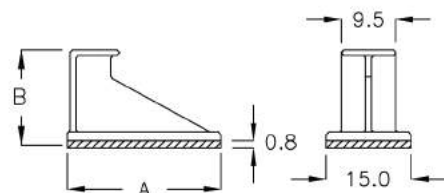
3-97-2



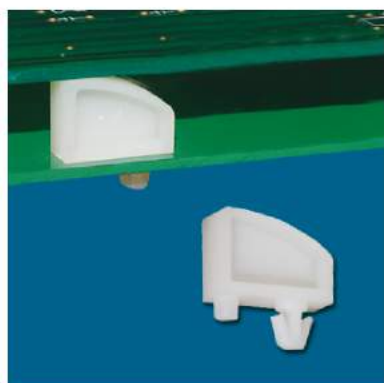
P.C.板間隔柱 SPACER SUPPORT

MATERIAL: NYLON 66(UL)
 FLAME CLASS: 94V-2
 COLOR: NATURAL
 ADHESIVE TAPE: 3M

PART NO	A	B	PACKAGE
UBC-17	27.0	16.7	500



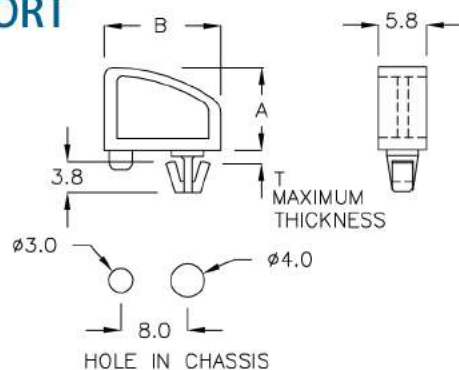
3-97-3



P.C.板間隔柱 SPACER SUPPORT

MATERIAL: NYLON 66(UL)
 FLAME CLASS: 94V-2
 COLOR: NATURAL

PART NO	A	B	T MAXIMUM THICKNESS	PACKAGE
UA-10	10.0	14.0	1.2	500



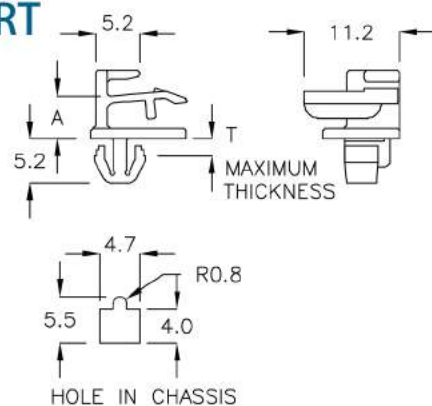
3-97-4



P.C.板間隔柱 SPACER SUPPORT

MATERIAL: NYLON 66(UL)
 FLAME CLASS: 94V-2
 COLOR: NATURAL

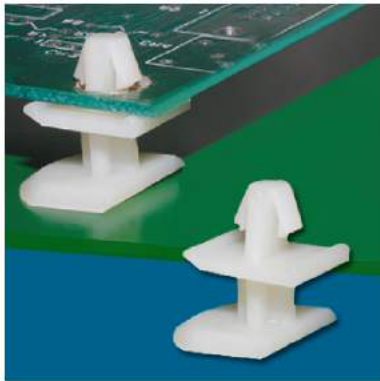
PART NO	A	T MAXIMUM THICKNESS	PACKAGE
UBL-05	5.0	1.6	500



P.C.板間隔柱 SPACER SUPPORT

PINGOOD

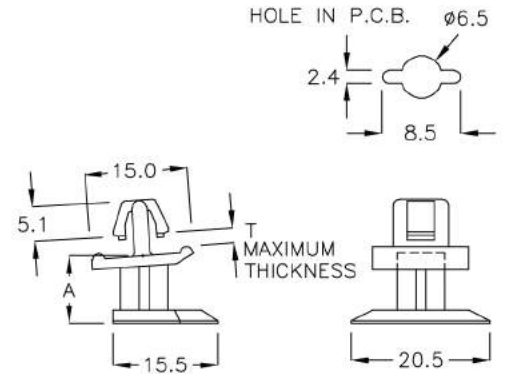
3-98-1



P.C.板間隔柱 SPACER SUPPORT

MATERIAL: NYLON 66(UL)
FLAME CLASS: 94V-2
COLOR: NATURAL

PART NO	A	T MAXIMUM THICKNESS	PACKAGE
UNB-11	10.0	2.0	500



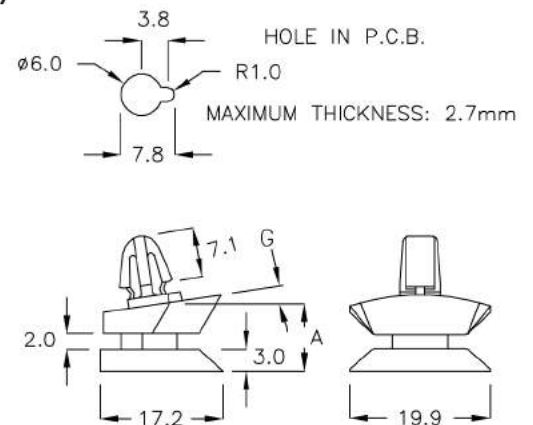
3-98-2



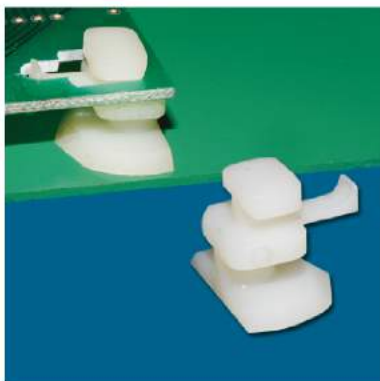
P.C.板間隔柱 SPACER SUPPORT

MATERIAL: NYLON 66(UL)
FLAME CLASS: 94V-2
COLOR: NATURAL

PART NO	A	G	PACKAGE
UNC-10A	9.1	8.5°	500



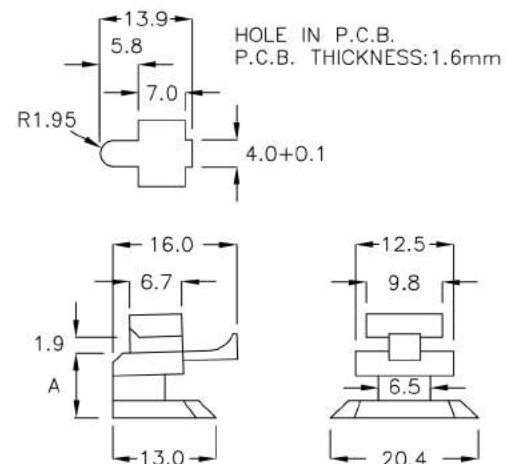
3-98-3



P.C.板間隔柱 SPACER SUPPORT

MATERIAL: NYLON 66(UL)
FLAME CLASS: 94V-2
COLOR: NATURAL

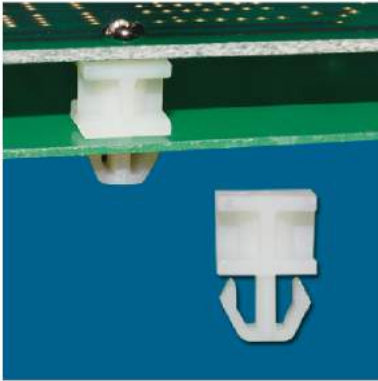
PART NO	A	PACKAGE
UNG-8	8.2	500



P.C.板間隔柱 SPACER SUPPORT

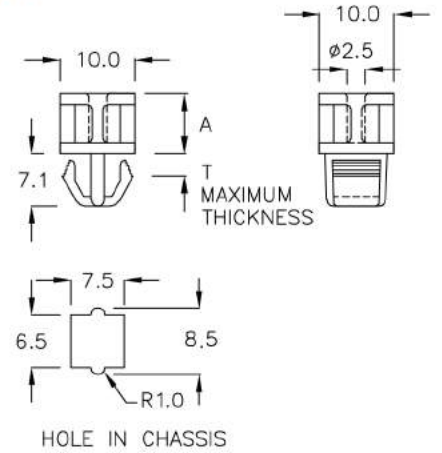
PINGOOD

3-99-1



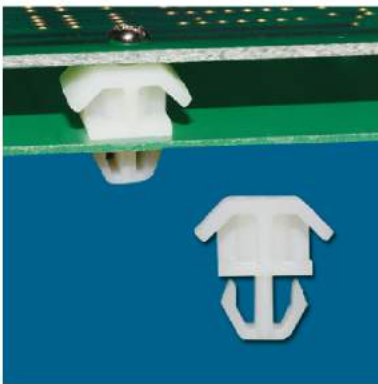
P.C.板間隔柱 SPACER SUPPORT

MATERIAL: NYLON 66(UL)
 FLAME CLASS: 94V-2
 COLOR: NATURAL
 SCREW: TAPPING SCREW M3



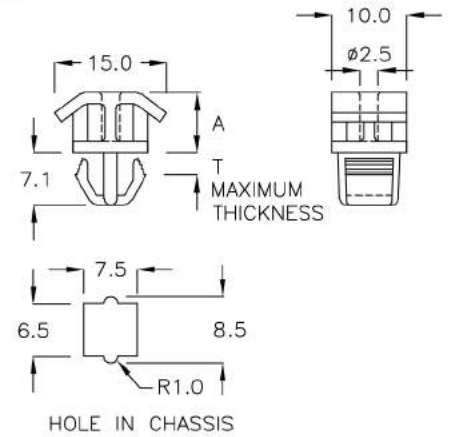
PART NO	A	T MAXIMUM THICKNESS	PACKAGE
CH-08F	8.0	2.0	500
CH-10K	10.0	1.4	

3-99-2



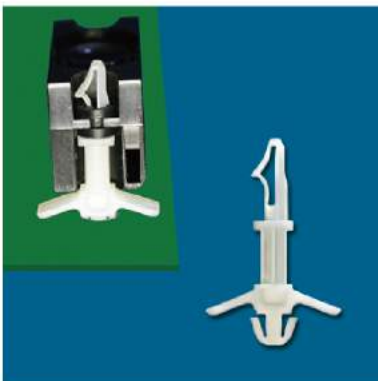
P.C.板間隔柱 SPACER SUPPORT

MATERIAL: NYLON 66(UL)
 FLAME CLASS: 94V-2
 COLOR: NATURAL
 SCREW: TAPPING SCREW M3



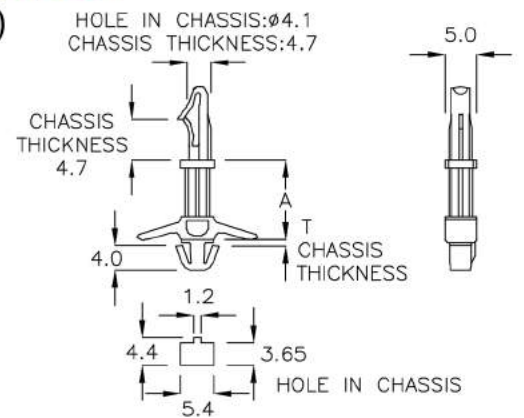
PART NO	A	T MAXIMUM THICKNESS	PACKAGE
CH-08K	8.0	2.0	500

3-99-3



P.C.板間隔柱 SPACER SUPPORT

MATERIAL: NYLON 66(UL)
 FLAME CLASS: 94V-2
 COLOR: NATURAL

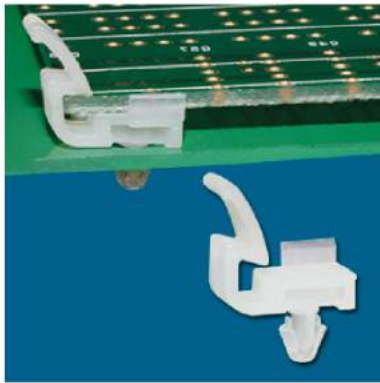


PART NO	A	T CHASSIS THICKNESS	PACKAGE
MQG-12P	12.7	0.6~0.8	500

P.C.板間隔柱 SPACER SUPPORT

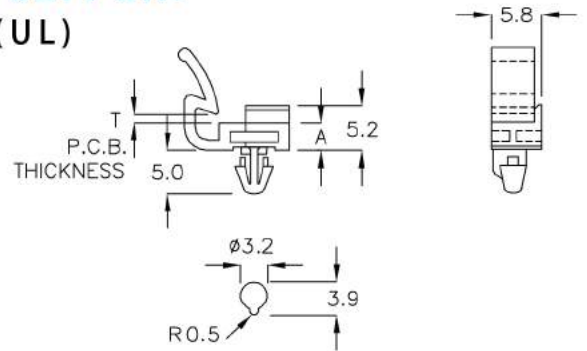
PINGOOD

3-100-1



P.C.板間隔柱 SPACER SUPPORT

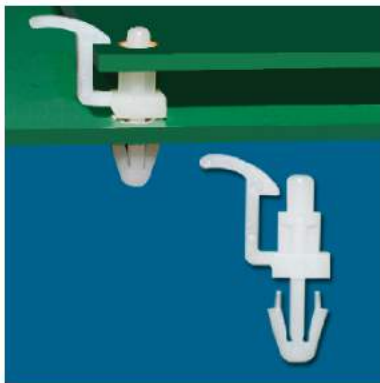
MATERIAL: NYLON 66(UL)
FLAME CLASS: 94V-2
COLOR: NATURAL



PART NO	A	T P.C.B. THICKNESS	PACKAGE
LSB-3A	3.2	0.8~1.6	1000

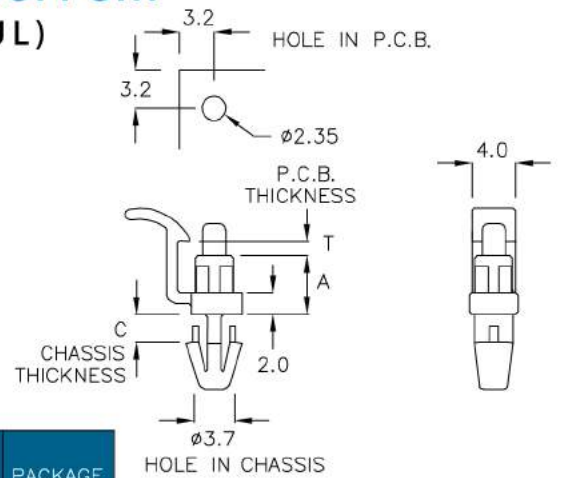
HOLE IN CHASSIS
CHASSIS THICKNESS: 1.4~1.6mm

3-100-2



P.C.板間隔柱 SPACER SUPPORT

MATERIAL: NYLON 66(UL)
FLAME CLASS: 94V-2
COLOR: NATURAL



PART NO	A	T P.C.B. THICKNESS	C CHASSIS THICKNESS	PACKAGE
LTY-5A	5.4	0.8~1.0	2.2~2.4	500

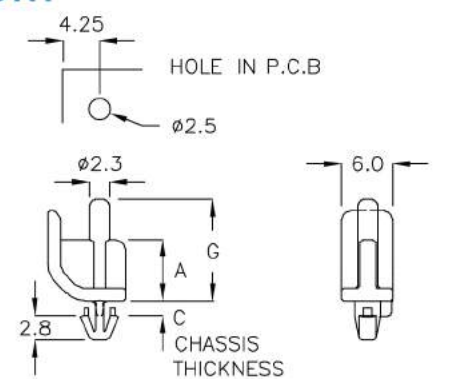
HOLE IN CHASSIS

3-100-3

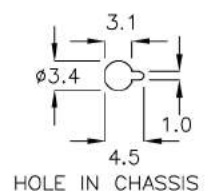


P.C.板間隔柱 SPACER SUPPORT

MATERIAL: NYLON 66(UL)
FLAME CLASS: 94V-2
COLOR: NATURAL



PART NO	A	G	C CHASSIS THICKNESS	PACKAGE
LKB-6PA	7.0	11.7	1.4~1.6	1000

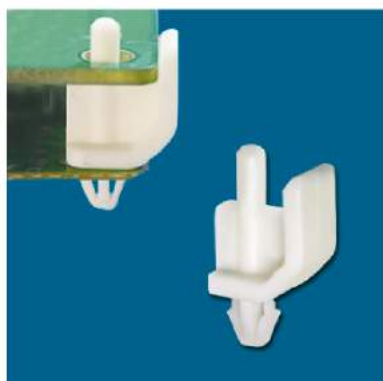


HOLE IN CHASSIS

P.C.板間隔柱 SPACER SUPPORT

PINGOOD

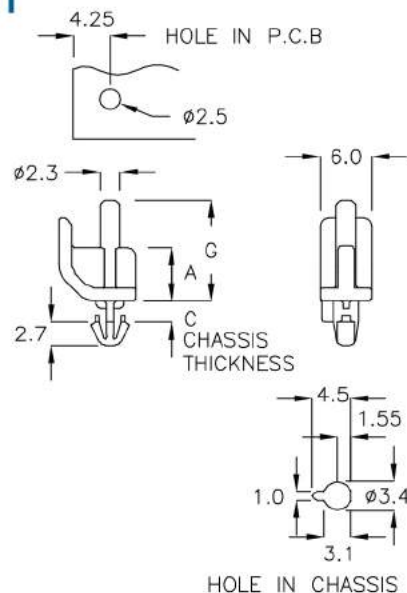
3-101-1



P.C.板間隔柱 SPACER SUPPORT

MATERIAL: NYLON 66(UL)
FLAME CLASS: 94V-2
COLOR: NATURAL

PART NO	A	G	C CHASSIS THICKNESS	PACKAGE
LKB-6FQ	6.2	11.7	2.2~2.4	1000



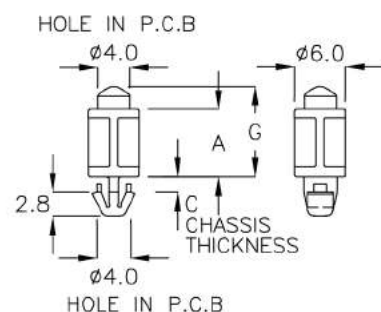
3-101-2



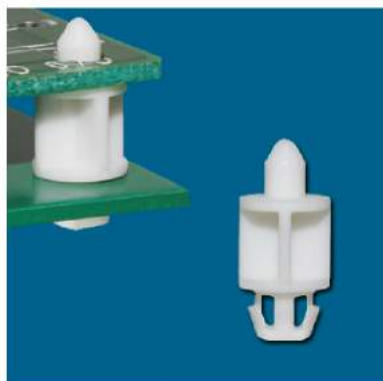
P.C.板間隔柱 SPACER SUPPORT

MATERIAL: NYLON 66(UL)
FLAME CLASS: 94V-2
COLOR: BLACK

PART NO	A	G	C CHASSIS THICKNESS	PACKAGE
LCZ-8PH	8.0	10.7	1.6	2000



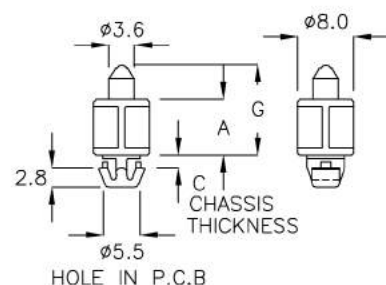
3-101-3



P.C.板間隔柱 SPACER SUPPORT

MATERIAL: NYLON 66(UL)
FLAME CLASS: 94V-2
COLOR: NATURAL

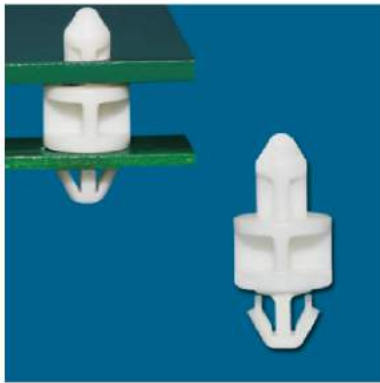
PART NO	A	G	C CHASSIS THICKNESS	PACKAGE
LKC-8A	8.0	13.0	1.6	2000



P.C.板間隔柱 SPACER SUPPORT

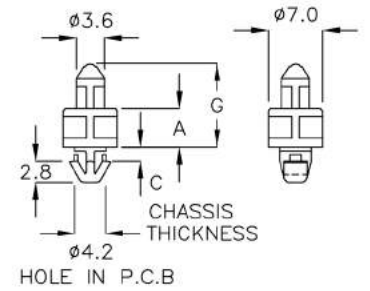
PINGOOD

3-102-1



P.C.板間隔柱 SPACER SUPPORT

MATERIAL: NYLON 66(UL)
FLAME CLASS: 94V-2
COLOR: NATURAL



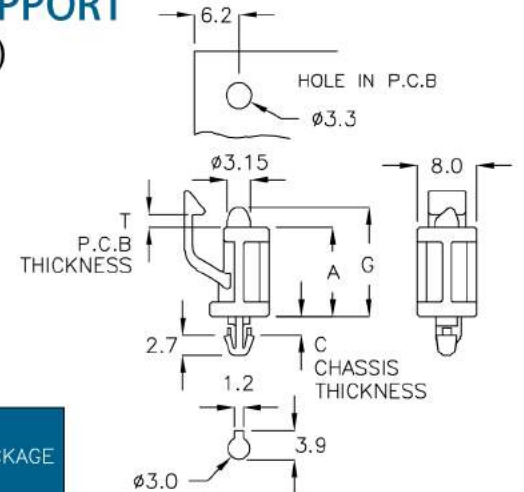
PART NO	A	G	C CHASSIS THICKNESS	PACKAGE
LKN-5T	5.0	11.0	1.6	2000

3-102-2



P.C.板間隔柱 SPACER SUPPORT

MATERIAL: NYLON 66(UL)
FLAME CLASS: 94V-2
COLOR: NATURAL



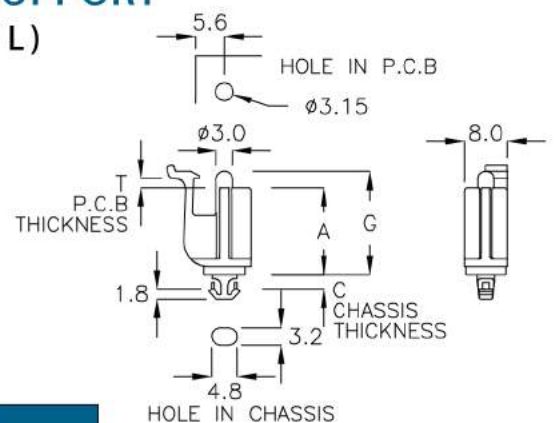
PART NO	A	G	T P.C.B THICKNESS	C CHASSIS THICKNESS	PACKAGE
LTZ-12HC	12.0	14.7	1.6	2.4	500

3-102-3



P.C.板間隔柱 SPACER SUPPORT

MATERIAL: NYLON 66(UL)
FLAME CLASS: 94V-2
COLOR: NATURAL



PART NO	A	G	T P.C.B THICKNESS	C CHASSIS THICKNESS	PACKAGE
LTKL-16	16.0	19.0	1.4~1.6	2.5	500

P.C.板間隔柱SPACER SUPPORT

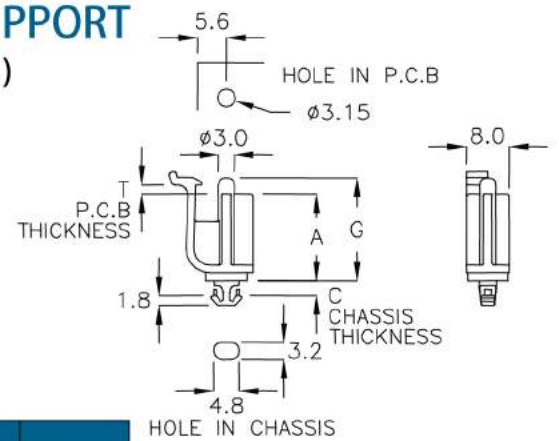
PINGOOD

3-103-1



P.C.板間隔柱 SPACER SUPPORT

MATERIAL: NYLON 66(UL)
FLAME CLASS: 94V-2
COLOR: NATURAL



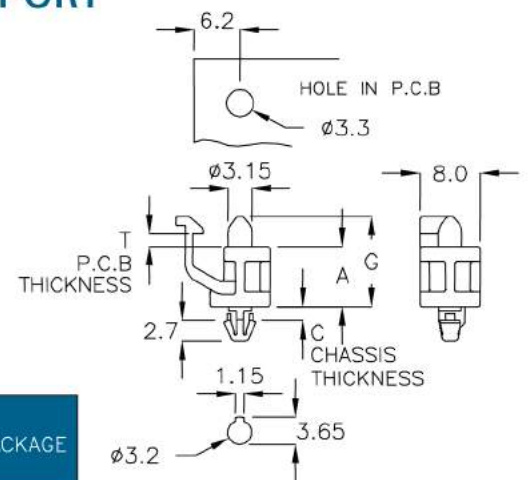
PART NO	A	G	T P.C.B THICKNESS	C CHASSIS THICKNESS	PACKAGE
LTKR-16C	16.0	19.0	1.4~1.6	2.5	500

3-103-2



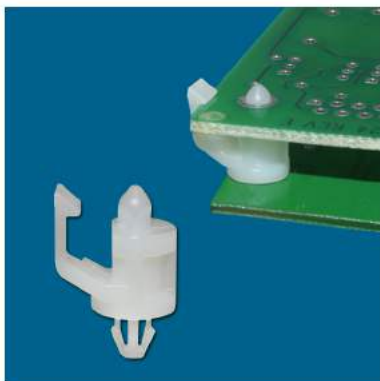
P.C.板間隔柱 SPACER SUPPORT

MATERIAL: NYLON 66(UL)
FLAME CLASS: 94V-2
COLOR: NATURAL



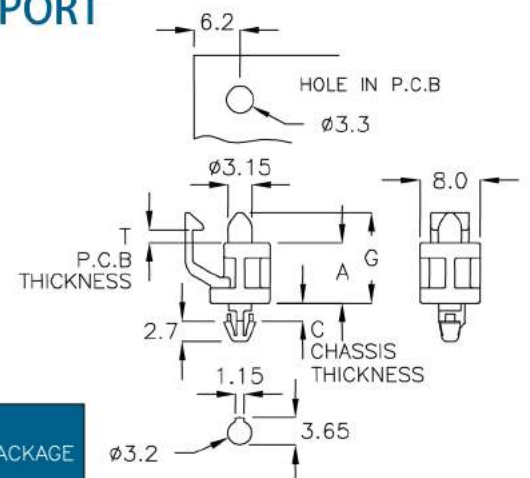
PART NO	A	G	T P.C.B THICKNESS	C CHASSIS THICKNESS	PACKAGE
LTN-8G	8.0	12.0	1.6	1.6	1000

3-103-3



P.C.板間隔柱 SPACER SUPPORT

MATERIAL: NYLON 66(UL)
FLAME CLASS: 94V-2
COLOR: NATURAL

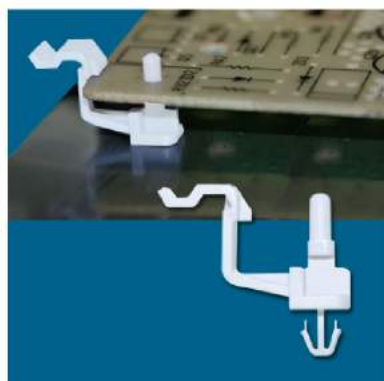


PART NO	A	G	T P.C.B THICKNESS	C CHASSIS THICKNESS	PACKAGE
LTN-8CK	8.0	12.0	1.6	2.2	1000

P.C.板間隔柱SPACER SUPPORT

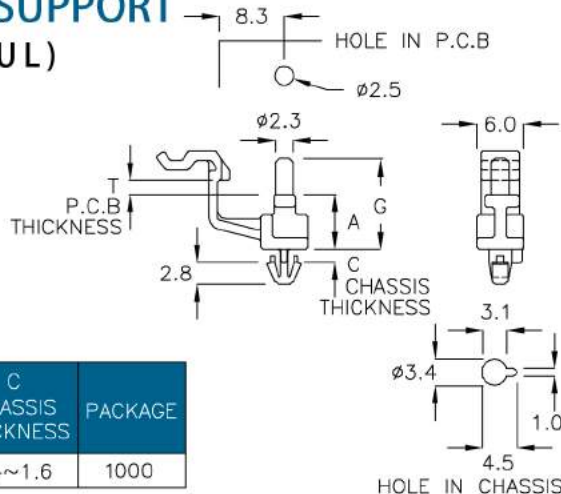
PINGOOD

3-104-1



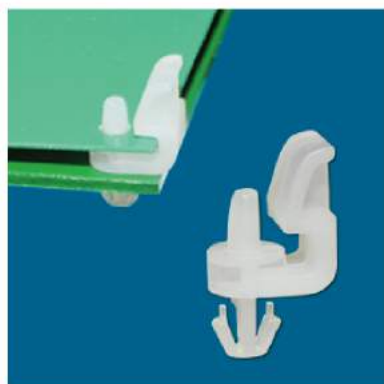
P.C.板間隔柱 SPACER SUPPORT

MATERIAL: NYLON 66(UL)
FLAME CLASS: 94V-2
COLOR: BLUE, BLACK



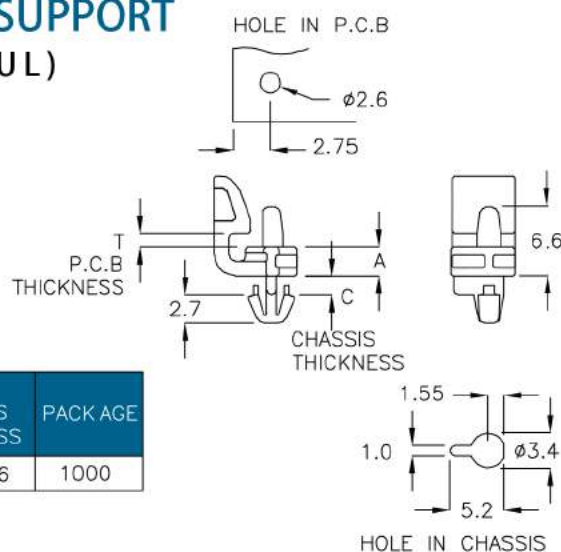
PART NO	A	G	T P.C.B THICKNESS	C CHASSIS THICKNESS	PACKAGE
LMM-6DA	7.0	11.7	1.4~1.6	1.4~1.6	1000

3-104-2



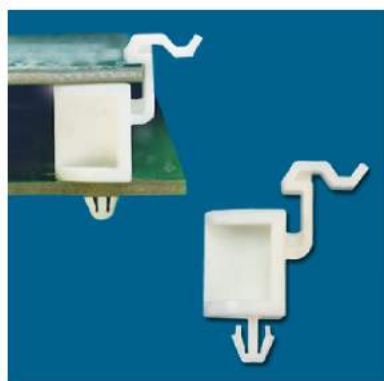
P.C.板間隔柱 SPACER SUPPORT

MATERIAL: NYLON 66(UL)
FLAME CLASS: 94V-2
COLOR: NATURAL



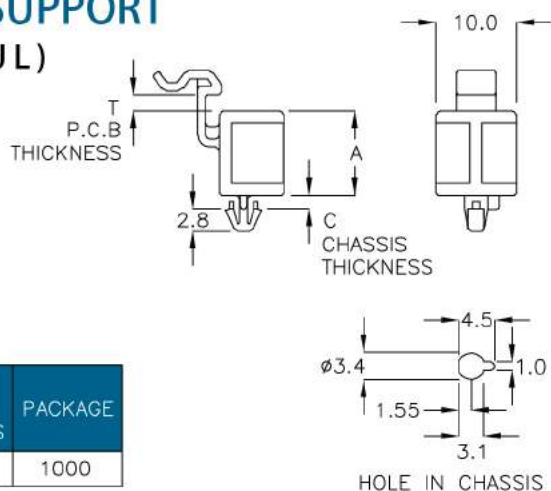
PART NO	A	T P.C.B THICKNESS	C CHASSIS THICKNESS	PACK AGE
LMF-2K	2.8	0.8~1.0	1.4~1.6	1000

3-104-3



P.C.板間隔柱 SPACER SUPPORT

MATERIAL: NYLON 66(UL)
FLAME CLASS: 94V-2
COLOR: NATURAL

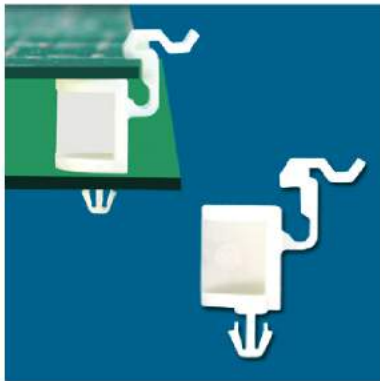


PART NO	A	T P.C.B. THICKNESS	C CHASSIS THICKNESS	PACKAGE
LMH-11	10.5	1.6~1.8	1.4~1.6	1000

P.C.板間隔柱 SPACER SUPPORT

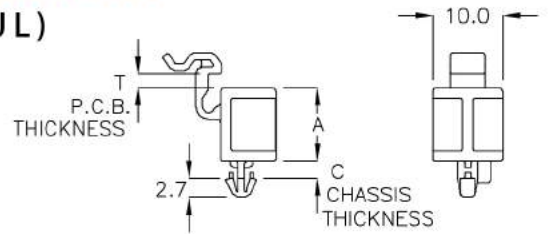
PINGOOD

3-105-1

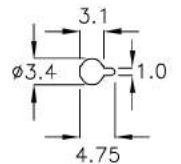


P.C.板間隔柱 SPACER SUPPORT

MATERIAL: NYLON 66(UL)
FLAME CLASS: 94V-2
COLOR: NATURAL



PART NO	A	T P.C.B THICKNESS	C CHASSIS THICKNESS	PACKAGE
LMH-11SA	10.5	1.6~1.8	2.2~2.4	1000



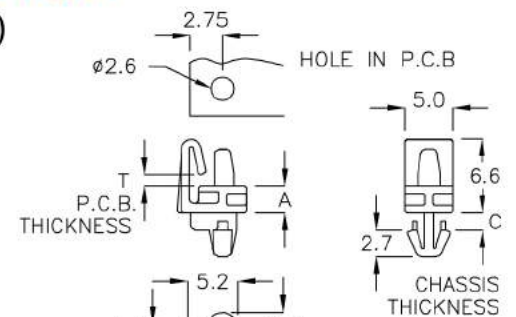
HOLE IN CHASSIS

3-105-2

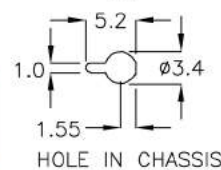


P.C.板間隔柱 SPACER SUPPORT

MATERIAL: NYLON 66(UL)
FLAME CLASS: 94V-2
COLOR: NATURAL

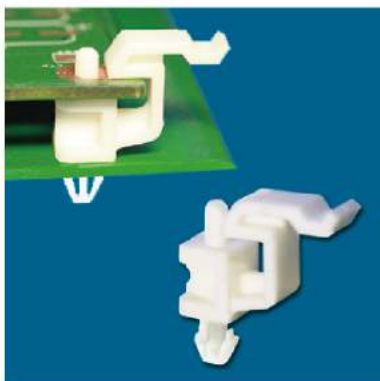


PART NO	A	T P.C.B THICKNESS	C CHASSIS THICKNESS	PACKAGE
LMK-2YW	2.8	0.8~1.0	1.4~1.6	2000



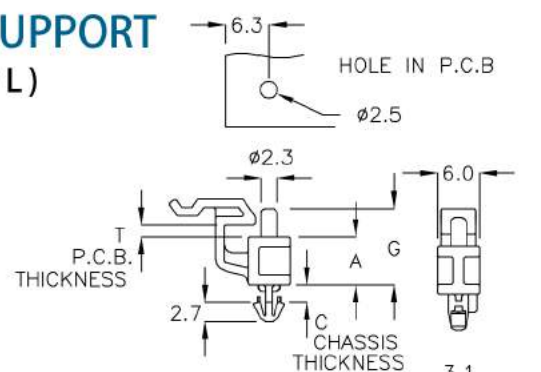
HOLE IN CHASSIS

3-105-3

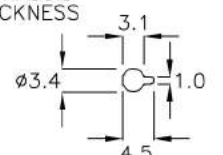


P.C.板間隔柱 SPACER SUPPORT

MATERIAL: NYLON 66(UL)
FLAME CLASS: 94V-2
COLOR: NATURAL



PART NO	A	G	T P.C.B THICKNESS	C CHASSIS THICKNESS	PACKAGE
LMM-6CP	6.9	11.0	1.4~1.6	2.2~2.4	1000

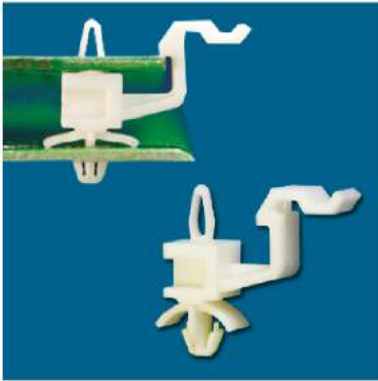


HOLE IN CHASSIS

P.C.板間隔柱SPACER SUPPORT

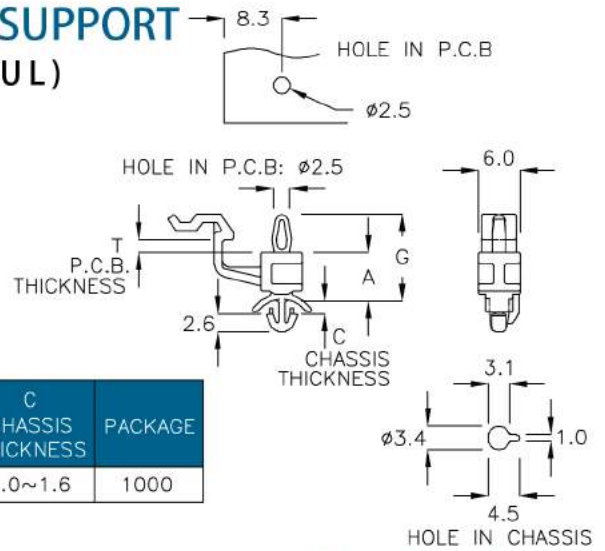
PINGOOD

3-106-1



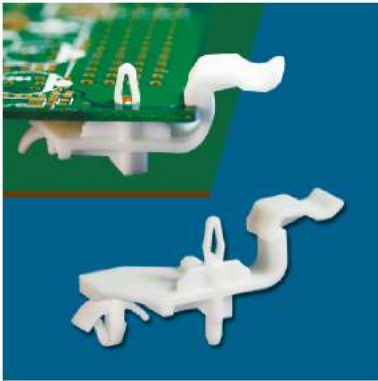
P.C.板間隔柱 SPACER SUPPORT

MATERIAL: NYLON 66(UL)
FLAME CLASS: 94V-2
COLOR: NATURAL



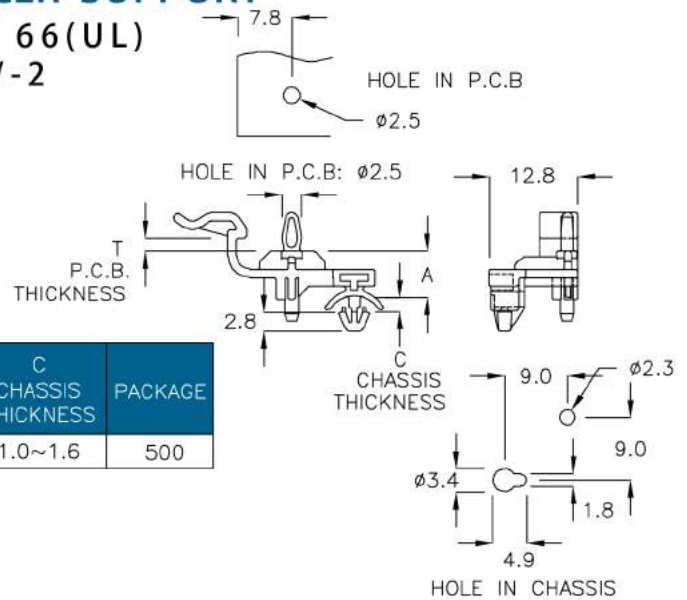
PART NO	A	G	T P.C.B THICKNESS	C CHASSIS THICKNESS	PACKAGE
LMJ-7TC	7.0	12.55	1.6	1.0~1.6	1000

3-106-2



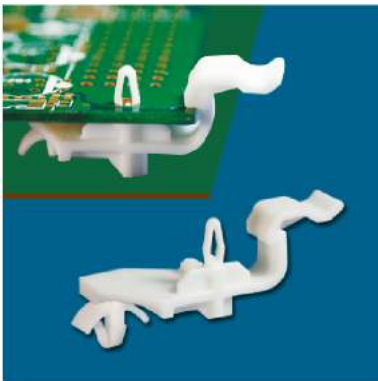
P.C.板間隔柱 SPACER SUPPORT

MATERIAL: NYLON 66(UL)
FLAME CLASS: 94V-2
COLOR: NATURAL



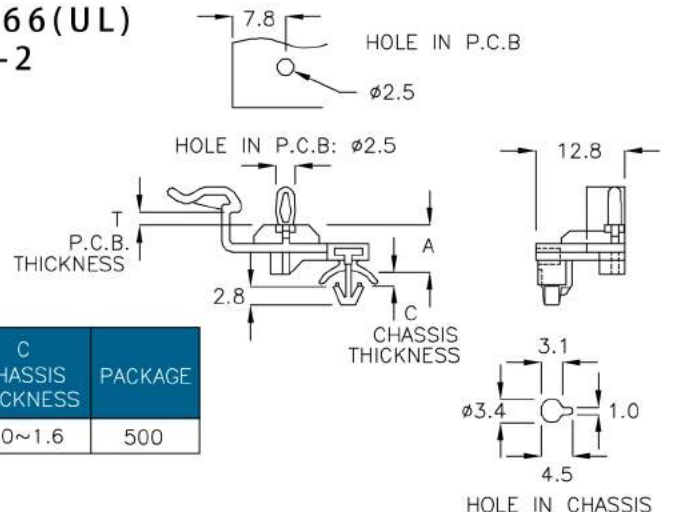
PART NO	A	T P.C.B THICKNESS	C CHASSIS THICKNESS	PACKAGE
LMX-7BK	6.7	1.6	1.0~1.6	500

3-106-3



P.C.板間隔柱 SPACER SUPPORT

MATERIAL: NYLON 66(UL)
FLAME CLASS: 94V-2
COLOR: NATURAL

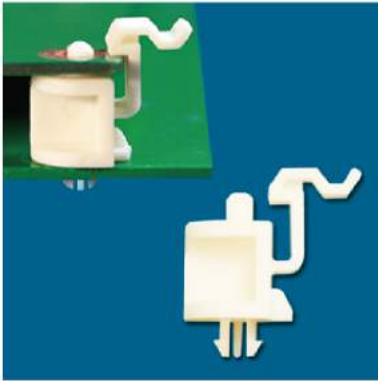


PART NO	A	T P.C.B THICKNESS	C CHASSIS THICKNESS	PACKAGE
LMX-7YD	6.7	1.6	1.0~1.6	500

P.C.板間隔柱SPACER SUPPORT

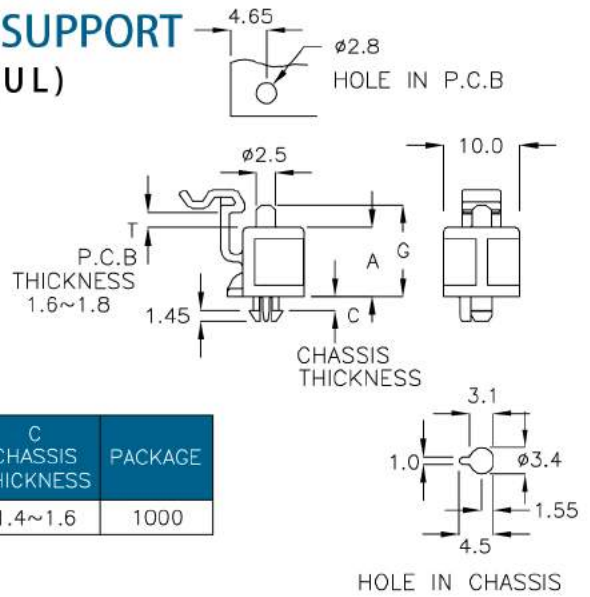
PINGOOD

3-107-1



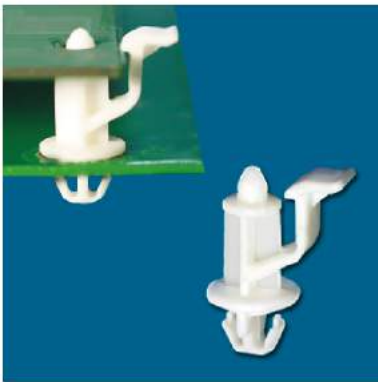
P.C.板間隔柱 SPACER SUPPORT

MATERIAL: NYLON 66(UL)
FLAME CLASS: 94V-2
COLOR: NATURAL



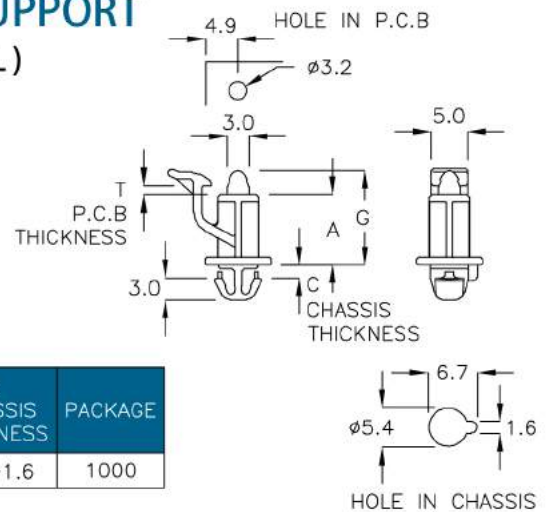
PART NO	A	G	T P.C.B. THICKNESS	C CHASSIS THICKNESS	PACKAGE
LTH-9PN	9.0	12.0	1.6~1.8	1.4~1.6	1000

3-107-2



P.C.板間隔柱 SPACER SUPPORT

MATERIAL: NYLON 66(UL)
FLAME CLASS: 94V-2
COLOR: NATURAL



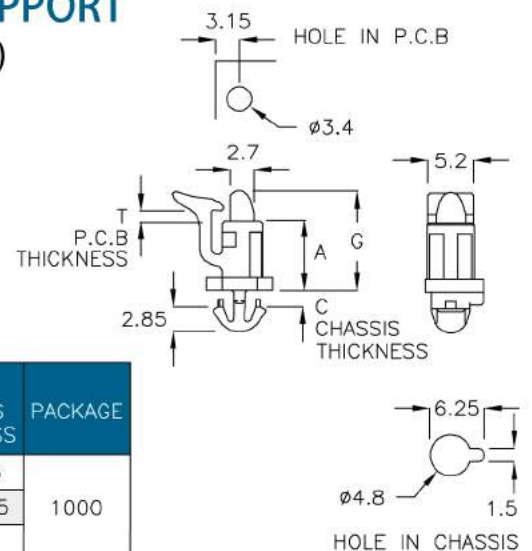
PART NO	A	G	T P.C.B. THICKNESS	C CHASSIS THICKNESS	PACKAGE
LMP-9RQ	9.55	12.85	0.8~1.0	1.4~1.6	1000

3-107-3



P.C.板間隔柱 SPACER SUPPORT

MATERIAL: NYLON 66(UL)
FLAME CLASS: 94V-2
COLOR: NATURAL, BLACK

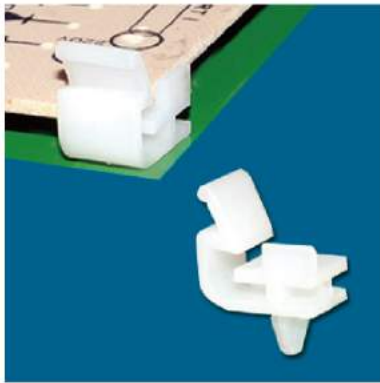


PART NO	A	G	T P.C.B. THICKNESS	C CHASSIS THICKNESS	PACKAGE
LTN-7C	7.85	11.4	1.0~1.2	1.4~1.6	1000
LTN-7F	7.85	11.4	1.0~1.2	2.0~2.15	
LTN-9K	9.0	12.6	1.2~1.6	2.15	

P.C.板間隔柱 SPACER SUPPORT

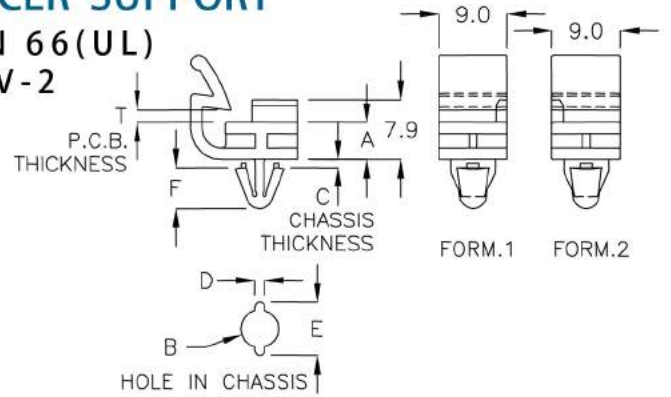
PINGOOD

3-108-1



P.C.板間隔柱 SPACER SUPPORT

MATERIAL: NYLON 66(UL)
FLAME CLASS: 94V-2
COLOR: NATURAL



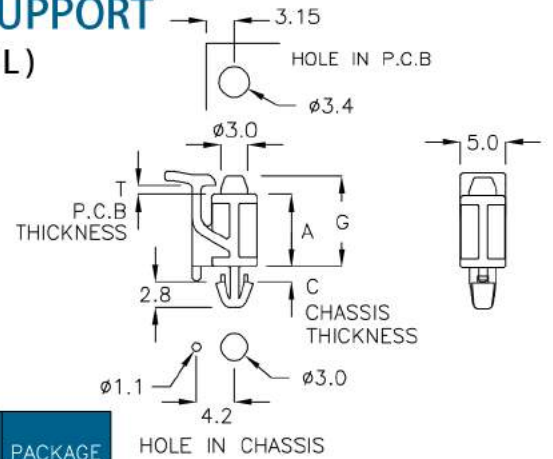
PART NO	A	B	D	E	F	T P.C.B. THICKNESS	C CHASSIS THICKNESS	FORM	PACKAGE
LSK-6P	4.9	∅5.0	∅1.3	7.0	5.4	1.4~1.6	0.6~0.8	1	500
LSK-6Q	4.9	∅3.5	∅1.2	5.5	4.5	1.4~1.6	0.6~0.8	2	

3-108-2



P.C.板間隔柱 SPACER SUPPORT

MATERIAL: NYLON 66(UL)
FLAME CLASS: 94V-2
COLOR: NATURAL



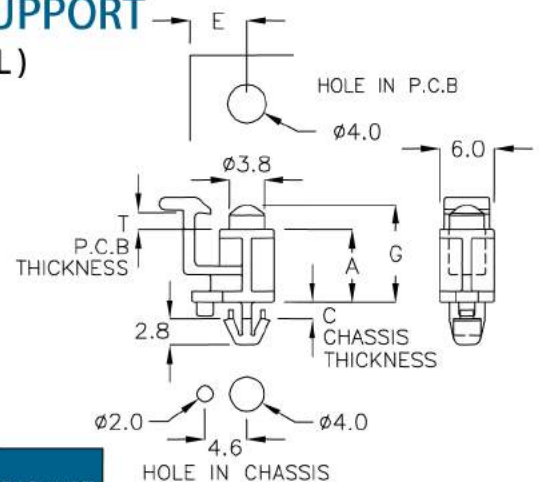
PART NO	A	G	T P.C.B. THICKNESS	C CHASSIS THICKNESS	PACKAGE
LMR-08	8.0	10.0	0.6~0.8	1.4~1.6	1000

3-108-3



P.C.板間隔柱 SPACER SUPPORT

MATERIAL: NYLON 66(UL)
FLAME CLASS: 94V-2
COLOR: BLACK

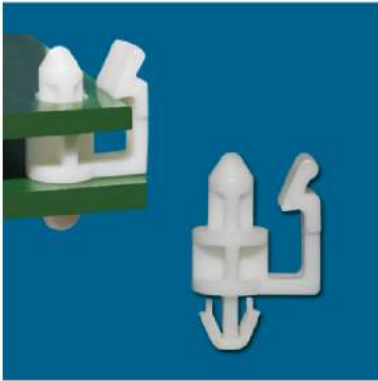


PART NO	A	G	E	T P.C.B. THICKNESS	C CHASSIS THICKNESS	PACKAGE
LMQ-8HR	8.0	10.7	5.3	1.6	1.6	1000

P.C.板間隔柱 SPACER SUPPORT

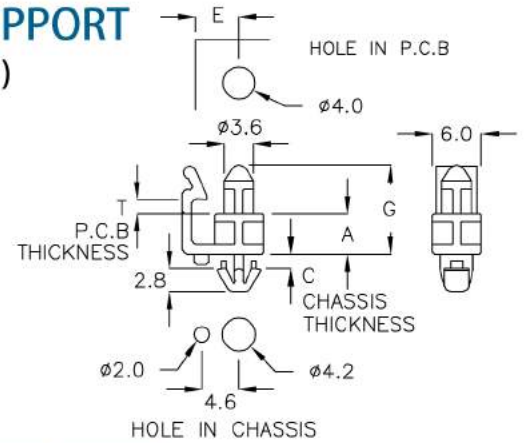
PINGOOD

3-109-1



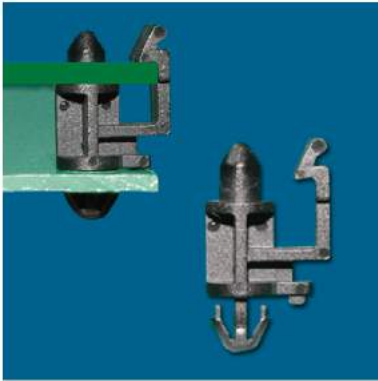
P.C.板間隔柱 SPACER SUPPORT

MATERIAL: NYLON 66(UL)
FLAME CLASS: 94V-2
COLOR: NATURAL



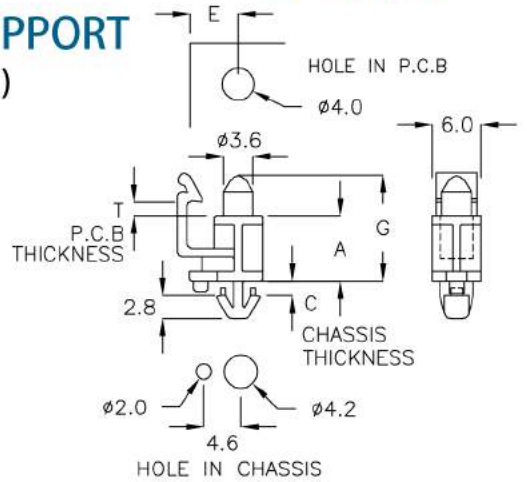
PART NO	A	G	E	T P.C.B. THICKNESS	C CHASSIS THICKNESS	PACKAGE
LMG-5FH	5.0	11.0	5.3	1.6	1.6	2000

3-109-2



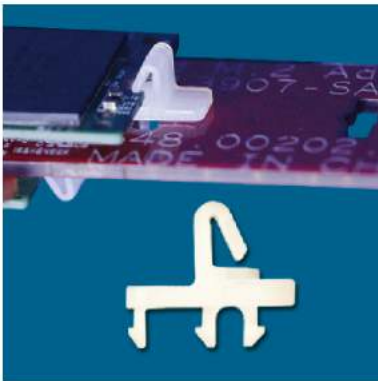
P.C.板間隔柱 SPACER SUPPORT

MATERIAL: NYLON 66(UL)
FLAME CLASS: 94V-2
COLOR: BLACK



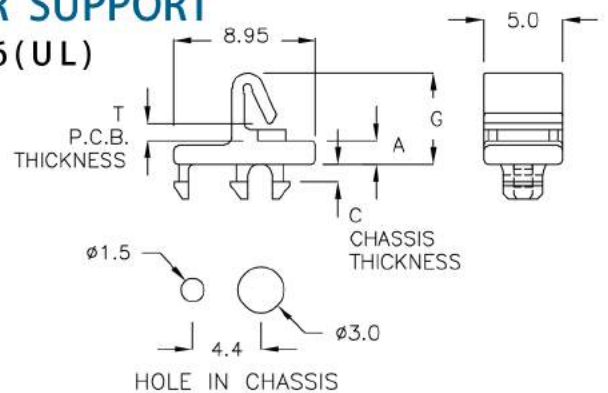
PART NO	A	G	E	T P.C.B. THICKNESS	C CHASSIS THICKNESS	PACKAGE
LMG-8AT	8.0	13.0	5.9	1.6	1.6	1000

3-109-3



P.C.板間隔柱 SPACER SUPPORT

MATERIAL: NYLON 66(UL)
FLAME CLASS: 94V-2
COLOR: NATURAL

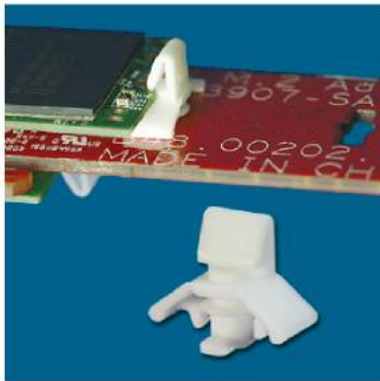


PART NO	A	G	T P.C.B. THICKNESS	C CHASSIS THICKNESS	PACKAGE
LSN-1A	1.5	5.8	0.85	1.0	2000
LSN-1XR	1.5	5.6	0.85	1.6	

P.C.板間隔柱SPACER SUPPORT

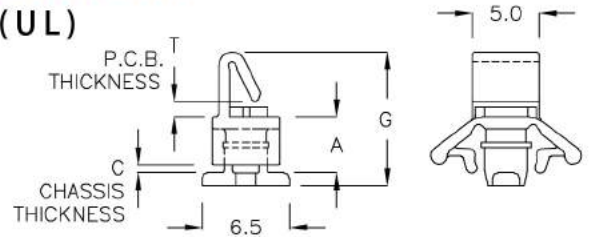
PINGOOD

3-110-1



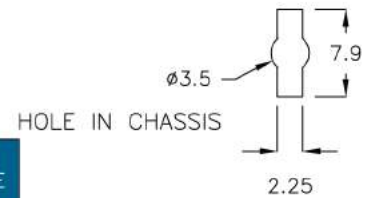
P.C.板間隔柱 SPACER SUPPORT

MATERIAL: NYLON 66(UL)
FLAME CLASS: 94V-2
COLOR: NATURAL



Insert With 90 Degree Angle
And Press Down

PART NO	A	G	T P.C.B THICKNESS	C CHASSIS THICKNESS	PACKAGE
LSZ-4A	4.15	10.0	0.8	1.0~1.6	1000

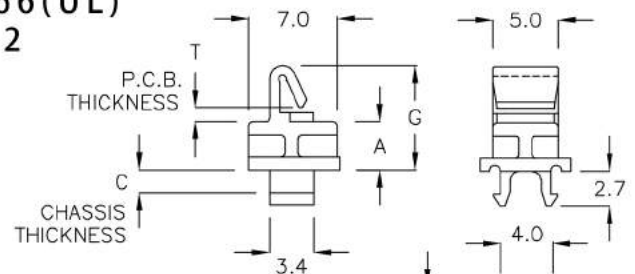


3-110-2



P.C.板間隔柱 SPACER SUPPORT

MATERIAL: NYLON 66(UL)
FLAME CLASS: 94V-2
COLOR: NATURAL



PART NO	A	G	T P.C.B THICKNESS	C CHASSIS THICKNESS	PACKAGE
LSP-3AN	3.7	8.0	0.8	1.6	2000

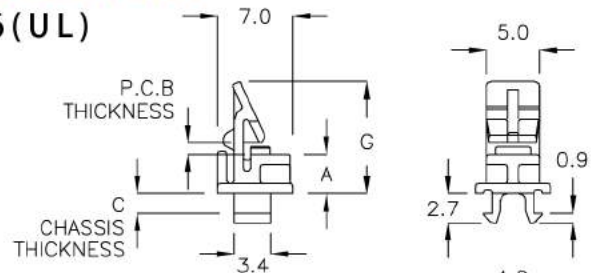


3-110-3

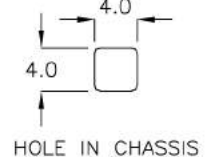


P.C.板間隔柱 SPACER SUPPORT

MATERIAL: NYLON 66(UL)
FLAME CLASS: 94V-2
COLOR: NATURAL



PART NO	A	G	T P.C.B THICKNESS	C CHASSIS THICKNESS	PACKAGE
LTQ-2AR	2.5	9.2	0.8	1.6	2000
LTQ-3CP	3.7	10.5	0.8	1.6	

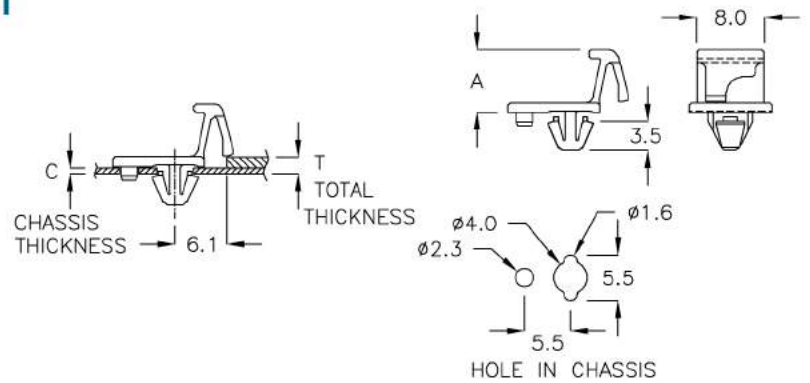


P.C.板間隔柱 SPACER SUPPORT

PINGOOD

3-111-1

P.C.板間隔柱 SPACER SUPPORT

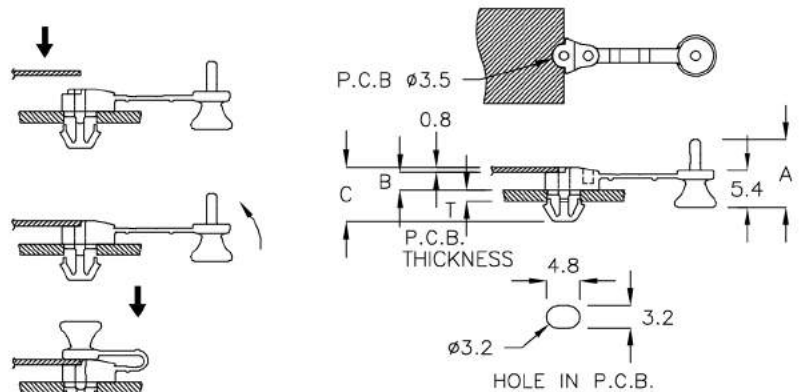


MATERIAL: NYLON 66(UL)
FLAME CLASS: 94V-2
COLOR: BLACK

PART NO	A	C CHASSIS THICKNESS	T TOTAL THICKNESS	PACKAGE
LSR-1FM	7.5	0.8	2.1	1000

3-111-2

P.C.板固定扣 P.C.B. RIVET

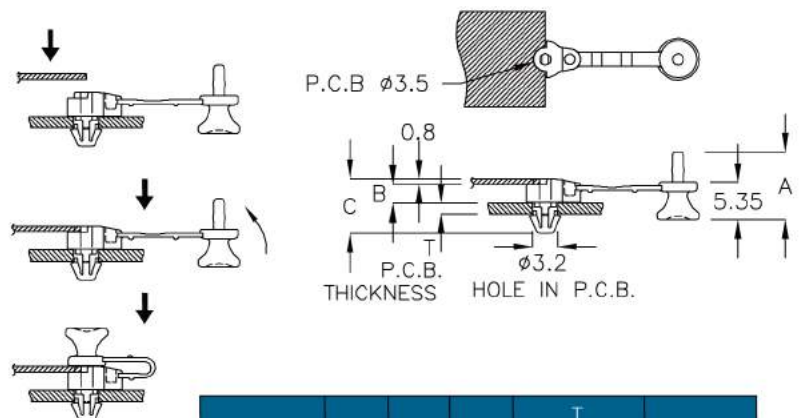


MATERIAL: NYLON 66(UL)
FLAME CLASS: 94V-2
COLOR: BLACK

PART NO	A	B	C	T P.C.B. THICKNESS	PACKAGE
SRTC-4A	9.7	2.5	7.8	1.6	500
SRTC-4FD	10.9	2.5	9.2	3.0	1000

3-111-3

P.C.板固定扣 P.C.B. RIVET



MATERIAL: NYLON 66(UL)
FLAME CLASS: 94V-2
COLOR: BLACK

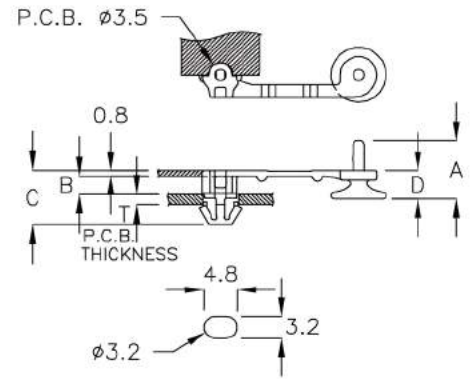
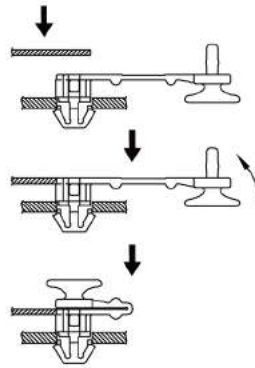
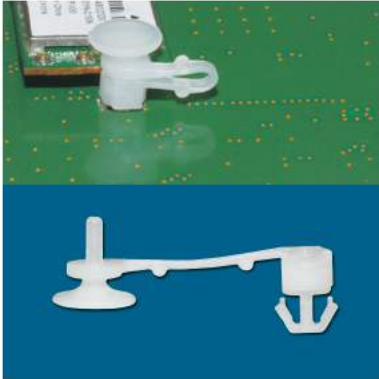
PART NO	A	B	C	T P.C.B. THICKNESS	PACKAGE
SRTH-3FG	9.7	2.5	7.65	1.6	500

P.C.板間隔柱SPACER SUPPORT

PINGOOD

3-112-1

P.C.板固定扣 P.C.B. RIVET

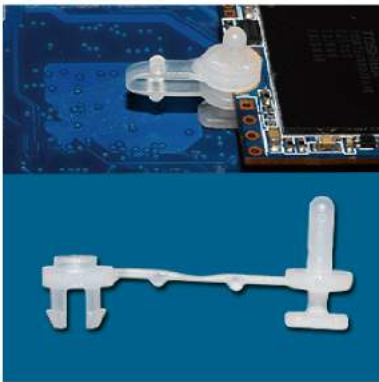


MATERIAL: NYLON 66(UL)
FLAME CLASS: 94V-2
COLOR: NATURAL

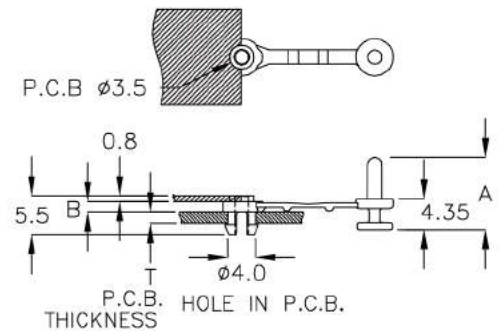
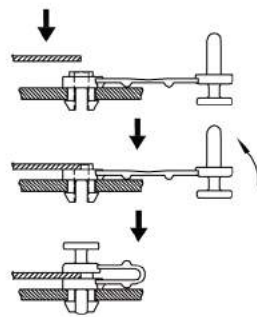
PART NO	A	B	C	D	T P.C.B. THICKNESS	PACKAGE
SRTF-4GW	8.45	2.5	7.8	4.1	1.6	500
★ SRTF-4RM	9.7	2.5	7.4	5.4	1.2	

3-112-2

P.C.板固定扣 P.C.B. RIVET



NEW

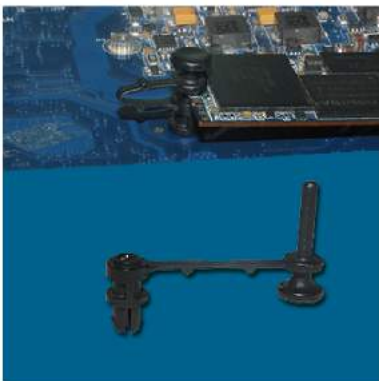


MATERIAL: NYLON 66(UL)
FLAME CLASS: 94V-2
COLOR: NATURAL

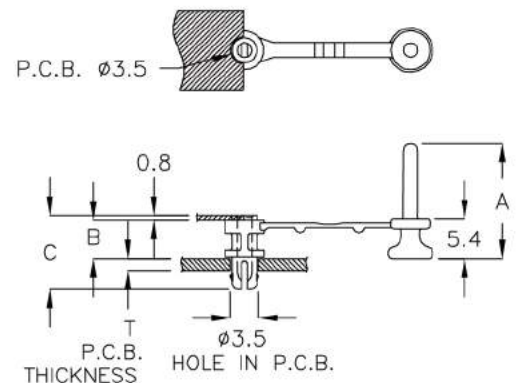
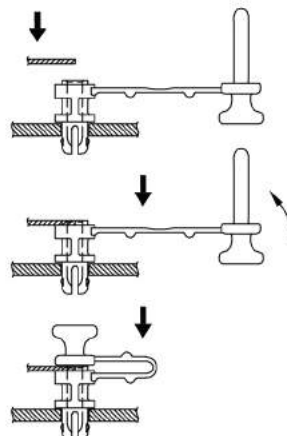
PART NO	A	B	T P.C.B. THICKNESS	PACKAGE
★ SRTQ-4D	10.25	1.5	1.6	500

3-112-3

P.C.板固定扣 P.C.B. RIVET



NEW



MATERIAL: NYLON 66(UL)
FLAME CLASS: 94V-2
COLOR: NATURAL

PART NO	A	B	C	T P.C.B. THICKNESS	PACKAGE
★ SRTK-3GP	15.6	5.05	10.15	1.6~2.2	1000
★ SRTK-3RZ	17.35	6.65	11.95	1.6~2.2	

P.C.板間隔柱SPACER SUPPORT

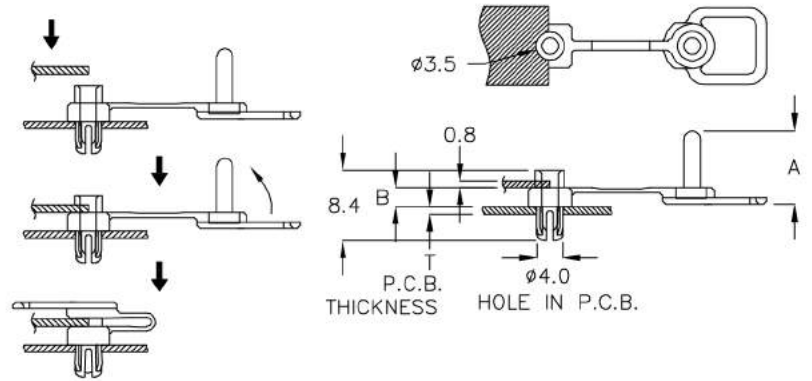
PINGOOD

3-113-1

P.C.板固定扣 P.C.B. RIVET



MATERIAL: NYLON 66(UL)
FLAME CLASS: 94V-2
COLOR: NATURAL



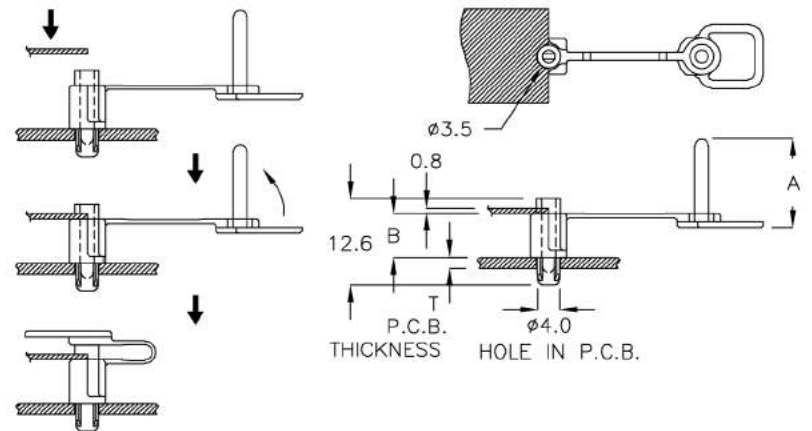
PART NO	A	B	T P.C.B. THICKNESS	PACKAGE
SRTM-4K	8.8	2.3	1.2~1.6	500

3-113-2

P.C.板固定扣 P.C.B. RIVET



MATERIAL: NYLON 66(UL)
FLAME CLASS: 94V-2
COLOR: NATURAL



PART NO	A	B	T P.C.B. THICKNESS	PACKAGE
SRTM-4PQ	13.5	6.5	1.2~1.6	500

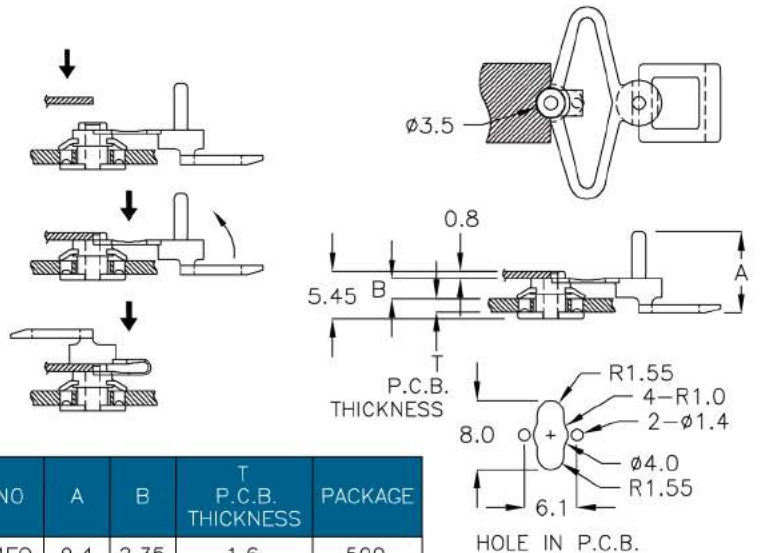
3-113-3

P.C.板固定扣 P.C.B. RIVET



NEW

MATERIAL: NYLON 66(UL)
FLAME CLASS: 94V-2
COLOR: NATURAL



PART NO	A	B	T P.C.B. THICKNESS	PACKAGE
★ SRTP-4FQ	9.4	2.35	1.6	500

P.C.板間隔柱SPACER SUPPORT

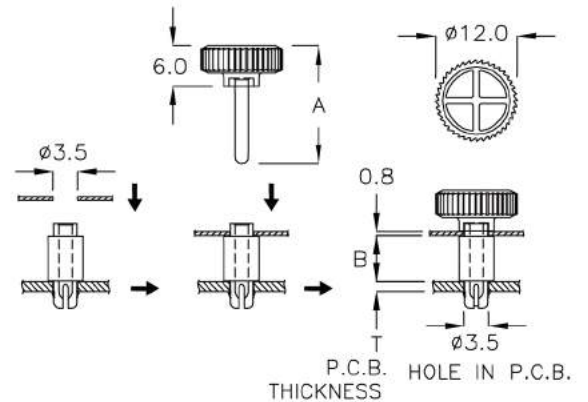
PINGOOD

3-114-1

P.C.板固定扣 P.C.B. RIVET



NEW



MATERIAL: NYLON 66(UL)
FLAME CLASS: 94V-2
COLOR: BLACK

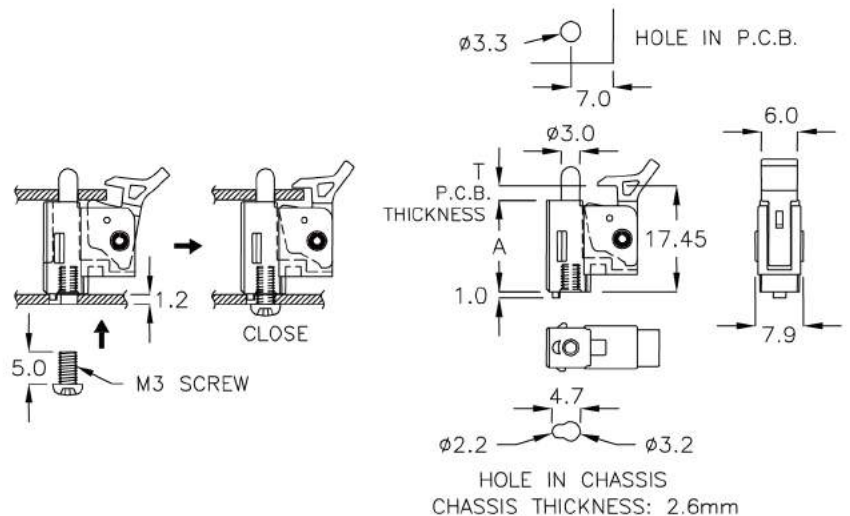
PART NO	A	B	T P.C.B. THICKNESS	PACKAGE
★ SRTA-3KP	17.4	6.65	1.6	500

P.C.板間隔柱 SPACER SUPPORT

3-114-2



NEW



MATERIAL: NYLON 66(UL)
FLAME CLASS: 94V-0
COLOR: NATURAL, BLUE
USE SCREW: M3

PART NO	A	T P.C.B. THICKNESS	PACKAGE
★ LXC-21K	15.1	1.6	200

P.C.板間隔柱 SPACER SUPPORT

PINGOOD

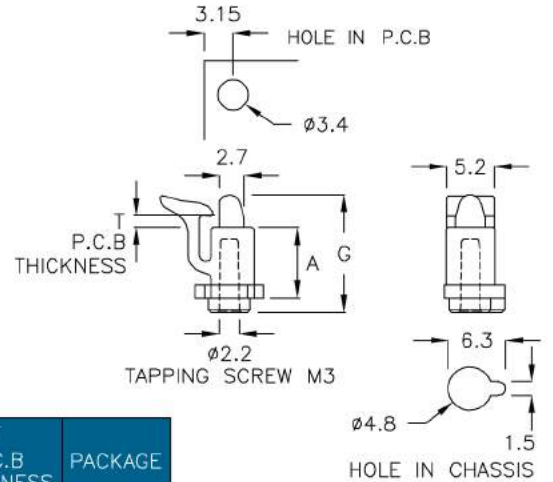
3-115-1

P.C.板間隔柱 SPACER SUPPORT



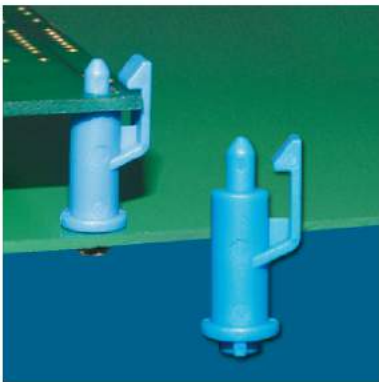
MATERIAL: NYLON 66(UL)
 FLAME CLASS: 94V-2
 COLOR: NATURAL, BLACK
 TAPPING SCREW M3x6

PART NO	A	G	T P.C.B. THICKNESS	PACKAGE
LTW-7C	7.85	12.9	1.0~1.2	1000



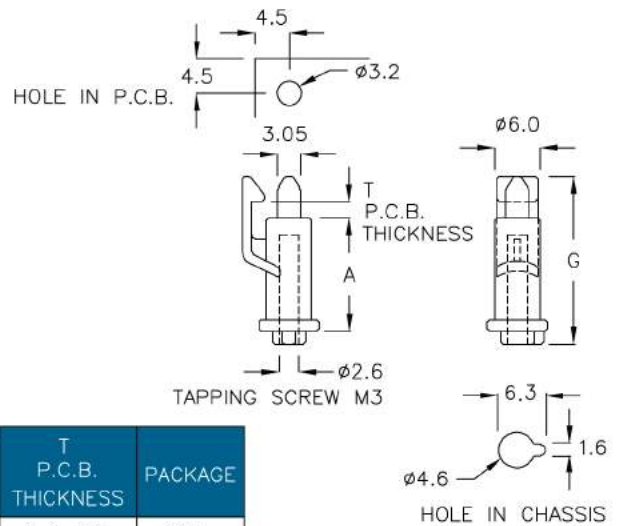
3-115-2

P.C.板間隔柱 SPACER SUPPORT



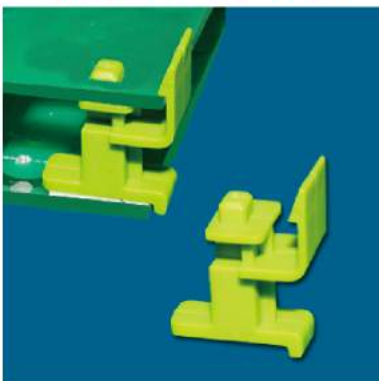
MATERIAL: NYLON 66(UL)
 FLAME CLASS: 94V-2
 COLOR: BLUE
 TAPPING SCREW M3x8

PART NO	A	G	T P.C.B. THICKNESS	PACKAGE
LTF-01	15.0	22.2	1.6~1.8	500



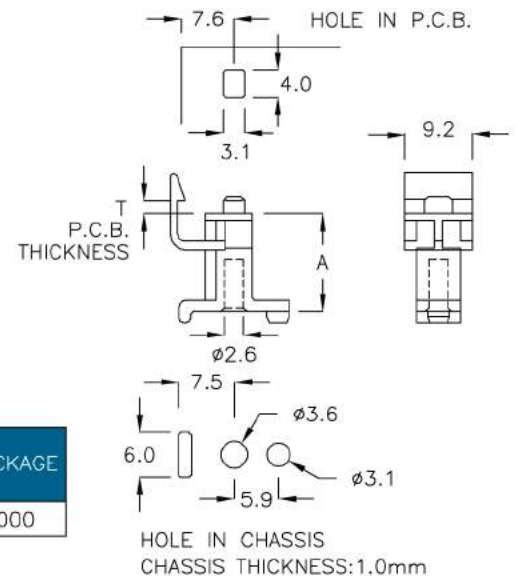
3-115-3

P.C.板間隔柱 SPACER SUPPORT



MATERIAL: NYLON 66(UL)
 FLAME CLASS: 94V-2
 COLOR: NATURAL, GREEN
 TAPPING SCREW M3x7

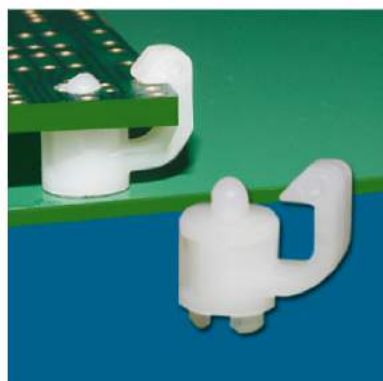
PART NO	A	T P.C.B. THICKNESS	PACKAGE
LTR-13A	13.2	1.4~1.6	1000



P.C.板間隔柱 SPACER SUPPORT

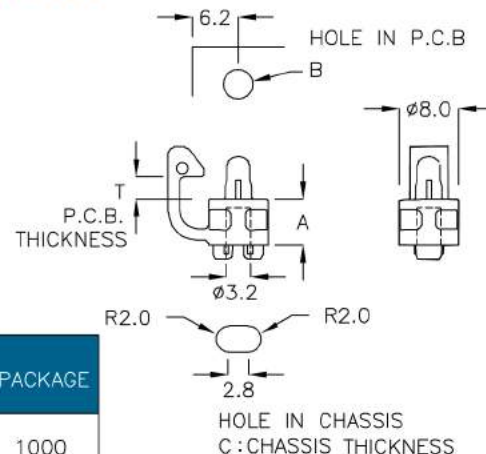
PINGOOD

3-116-1



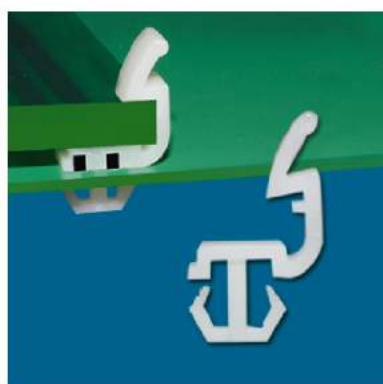
P.C.板間隔柱 SPACER SUPPORT

MATERIAL: NYLON 66(UL)
 FLAME CLASS: 94V-2
 COLOR: NATURAL
 TAPPING SCREW: M3.5x6



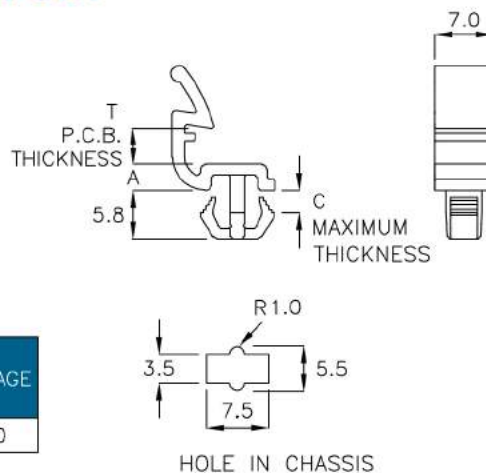
PART NO	A	B	C CHASSIS THICKNESS	T P.C.B. THICKNESS	PACKAGE
LTK-6A	6.2	∅4.0	2.0~2.3	2.8~3.0	1000
LTK-7C	7.5	∅3.3	2.5~2.7	1.6~1.85	

3-116-2



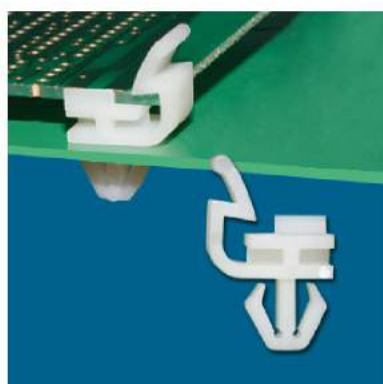
P.C.板間隔柱 SPACER SUPPORT

MATERIAL: NYLON 66(UL)
 FLAME CLASS: 94V-2
 COLOR: NATURAL



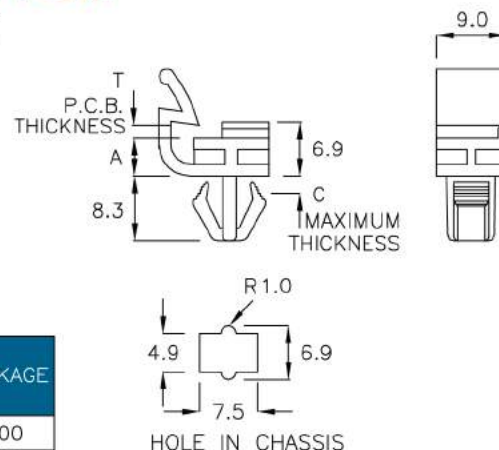
PART NO	A	T P.C.B. THICKNESS	C MAXIMUM THICKNESS	PACKAGE
LS-3A	3.0	3.8~4.0	2.0	500

3-116-3



P.C.板間隔柱 SPACER SUPPORT

MATERIAL: NYLON 66(UL)
 FLAME CLASS: 94V-2
 COLOR: NATURAL

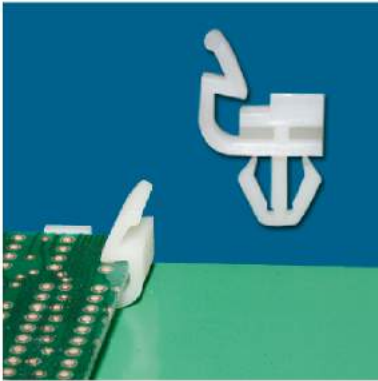


PART NO	A	T P.C.B. THICKNESS	C MAXIMUM THICKNESS	PACKAGE
LS-4A	4.9	1.4~1.6	1.6	500

P.C.板間隔柱 SPACER SUPPORT

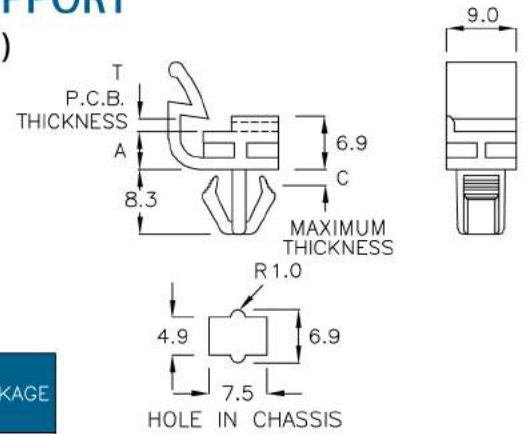
PINGOOD

3-117-1



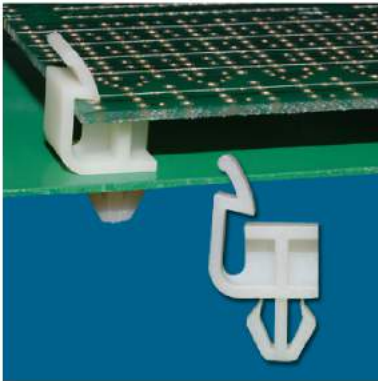
P.C.板間隔柱 SPACER SUPPORT

MATERIAL: NYLON 66(UL)
FLAME CLASS: 94V-2
COLOR: NATURAL



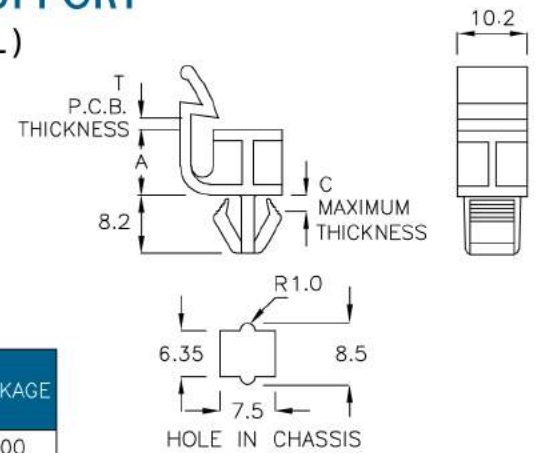
PART NO	A	T P.C.B. THICKNESS	C MAXIMUM THICKNESS	PACKAGE
LS-4C	4.9	1.4~1.6	1.6	500

3-117-2



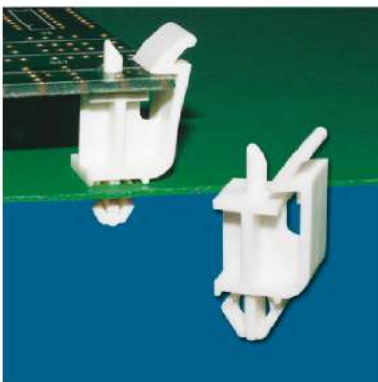
P.C.板間隔柱 SPACER SUPPORT

MATERIAL: NYLON 66(UL)
FLAME CLASS: 94V-2
COLOR: NATURAL



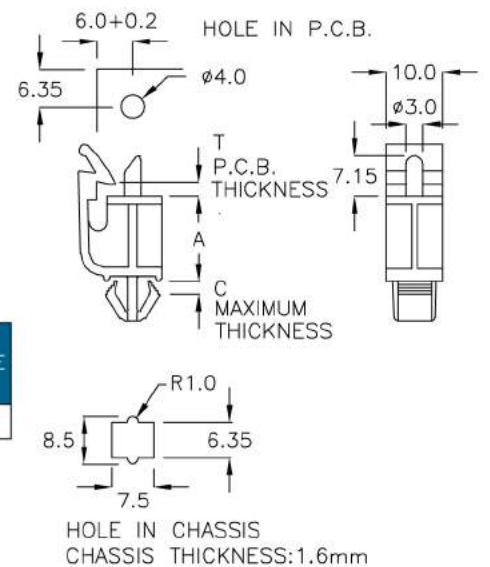
PART NO	A	T P.C.B. THICKNESS	C MAXIMUM THICKNESS	PACKAGE
LS-9A	9.0	0.8~2.2	2.0	500

3-117-3



P.C.板間隔柱 SPACER SUPPORT

MATERIAL: NYLON 66(UL)
FLAME CLASS: 94V-2
COLOR: NATURAL

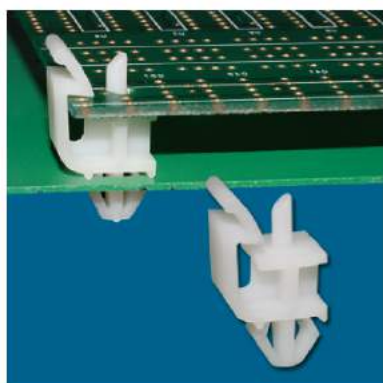


PART NO	A	T P.C.B. THICKNESS	C MAXIMUM THICKNESS	PACKAGE
LS-15	15.2	1.4~1.6	1.6	500

P.C.板間隔柱 SPACER SUPPORT

PINGOOD

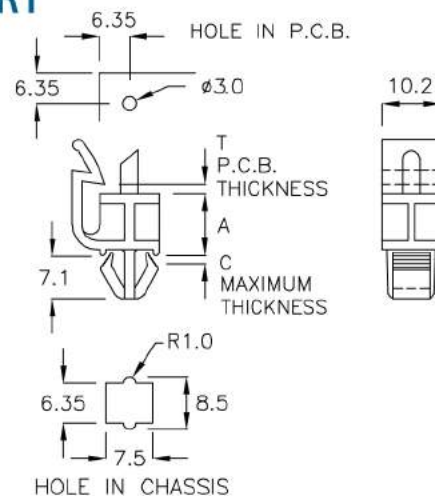
3-118-1



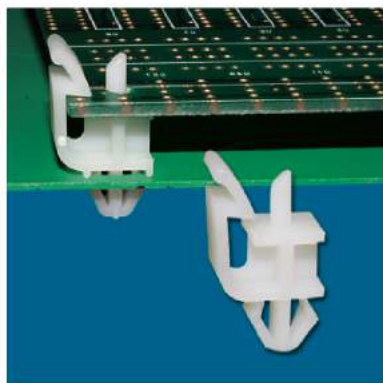
P.C.板間隔柱 SPACER SUPPORT

MATERIAL: NYLON 66(UL)
FLAME CLASS: 94V-2
COLOR: NATURAL

PART NO	A	T P.C.B. THICKNESS	C MAXIMUM THICKNESS	PACKAGE
LS-7	7.5	0.8~2.2	1.4	500
LS-10	10.0	0.8~2.2	1.4	



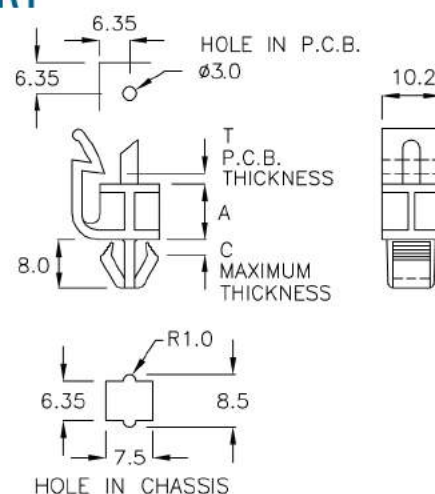
3-118-2



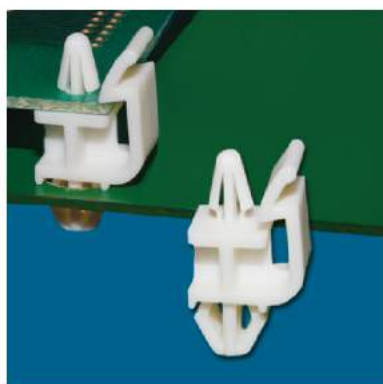
P.C.板間隔柱 SPACER SUPPORT

MATERIAL: NYLON 66(UL)
FLAME CLASS: 94V-2
COLOR: NATURAL

PART NO	A	T P.C.B. THICKNESS	C MAXIMUM THICKNESS	PACKAGE
LS-9	9.0	0.8~2.2	2.0	500



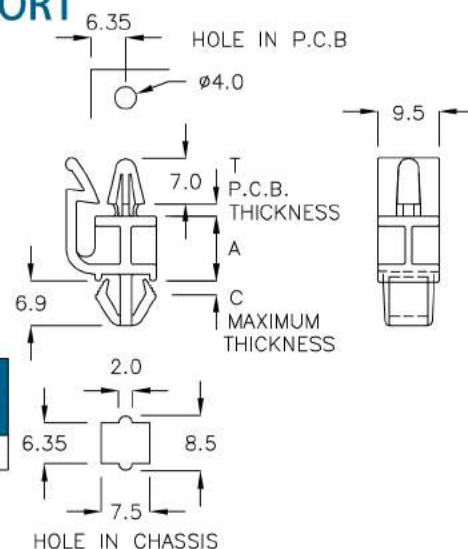
3-118-3



P.C.板間隔柱 SPACER SUPPORT

MATERIAL: NYLON 66(UL)
FLAME CLASS: 94V-2
COLOR: NATURAL

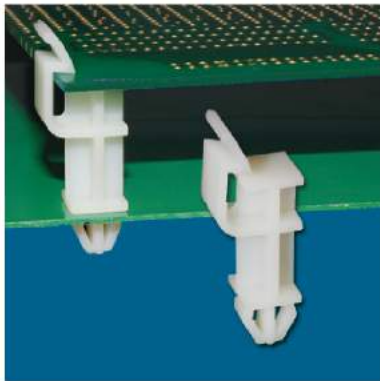
PART NO	A	T P.C.B. THICKNESS	C MAXIMUM THICKNESS	PACKAGE
LSQ-10	10.0	1.6	1.6	500



P.C.板間隔柱SPACER SUPPORT

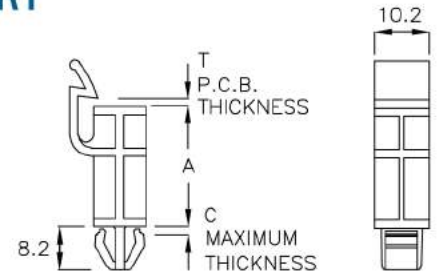
PINGOOD

3-119-1

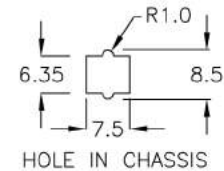


P.C.板間隔柱 SPACER SUPPORT

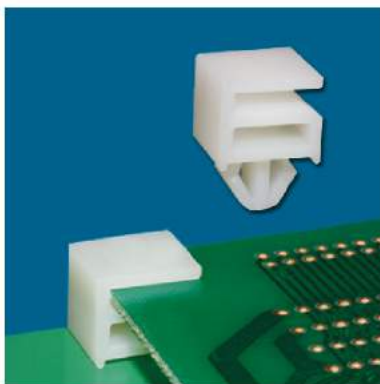
MATERIAL: NYLON 66(UL)
FLAME CLASS: 94V-2
COLOR: NATURAL



PART NO	A	T P.C.B. THICKNESS	C MAXIMUM THICKNESS	PACKAGE
LS-22A	22.5	1.4~1.6	0.8	500

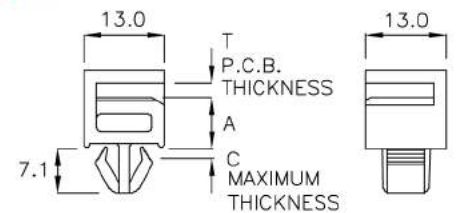


3-119-2

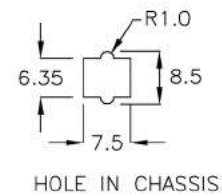


P.C.板間隔柱 SPACER SUPPORT

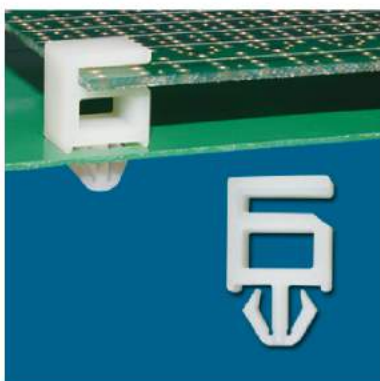
MATERIAL: NYLON 66(UL)
FLAME CLASS: 94V-2
COLOR: NATURAL



PART NO	A	T P.C.B. THICKNESS	C MAXIMUM THICKNESS	PACKAGE
LTS-7	7.5	0.8~2.2	1.4	500
LTS-10	10.0	0.8~2.2	1.4	

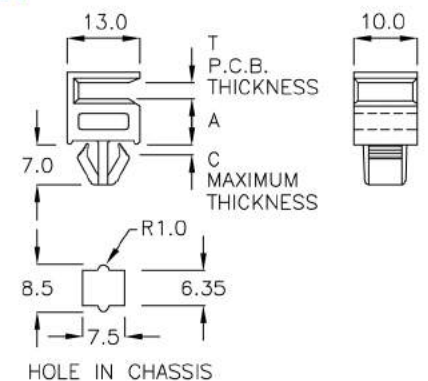


3-119-3

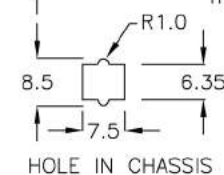


P.C.板間隔柱 SPACER SUPPORT

MATERIAL: NYLON 66(UL)
FLAME CLASS: 94V-2
COLOR: NATURAL



PART NO	A	T P.C.B. THICKNESS	C MAXIMUM THICKNESS	PACKAGE
LTS-10A	10.0	1.2~2.2	1.6	500

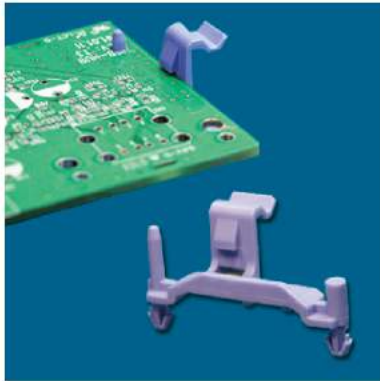


P.C.板間隔柱 SPACER SUPPORT

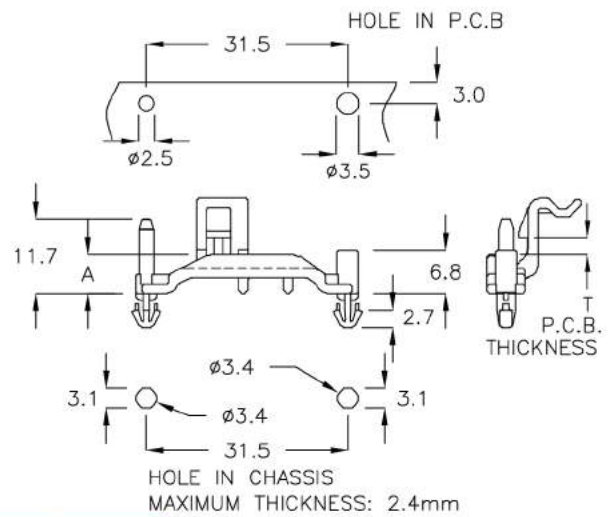
PINGOOD

3-120-1

P.C.板間隔柱 SPACER SUPPORT



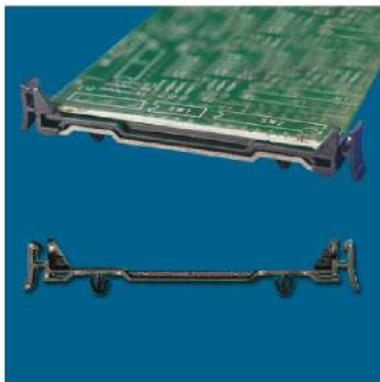
MATERIAL: NYLON 66(UL)
FLAME CLASS: 94V-2
COLOR: NATURAL, BLUE



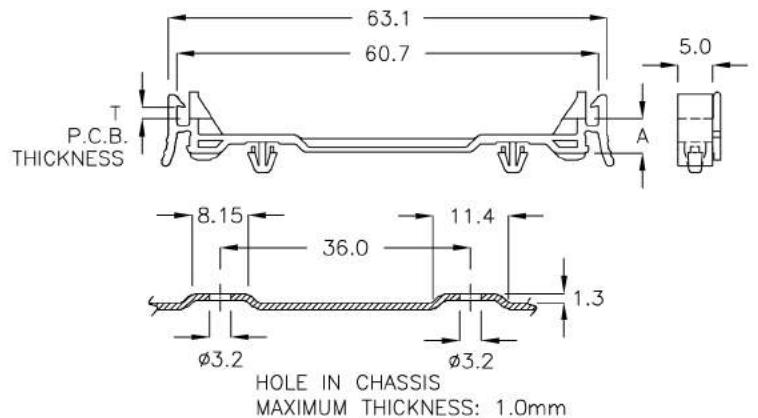
PART NO	A	T P.C.B. THICKNESS	PACKAGE
FKK-6RC	6.1	1.4~1.6	200

3-120-2

P.C.板間隔柱 SPACER SUPPORT



MATERIAL: NYLON 66(UL)
FLAME CLASS: 94V-2
COLOR: BLACK



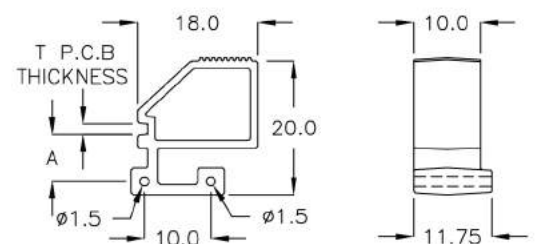
PART NO	A	T P.C.B. THICKNESS	PACKAGE
MTG-65DR	4.9	1.6	200

3-120-3

P.C.板間隔柱 SPACER SUPPORT



MATERIAL: NYLON 66(UL)
FLAME CLASS: 94V-2
COLOR: NATURAL
M2x8 TAPPING SCREW



PART NO	A	T P.C.B. THICKNESS	PACKAGE
LSY-07	7.0	1.4~1.6	200

3-120

www.pingood.com.tw

P.C.板間隔柱 SPACER SUPPORT

PINGOOD

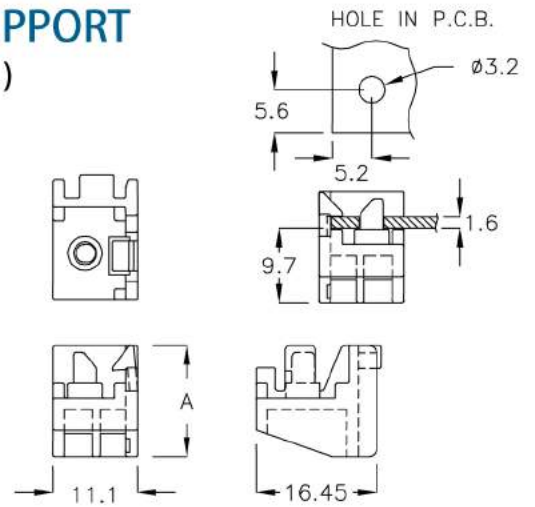
3-121-1



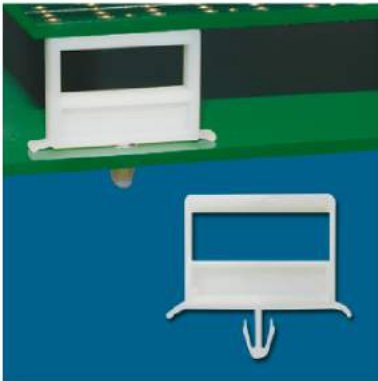
P.C.板間隔柱 SPACER SUPPORT

MATERIAL: NYLON 66(UL)
FLAME CLASS: 94V-0
COLOR: BLACK

PART NO	A	PACKAGE
MTC-14A	14.65	1000



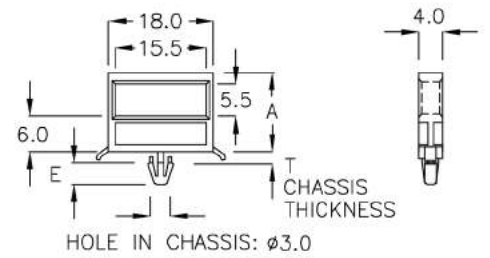
3-121-2



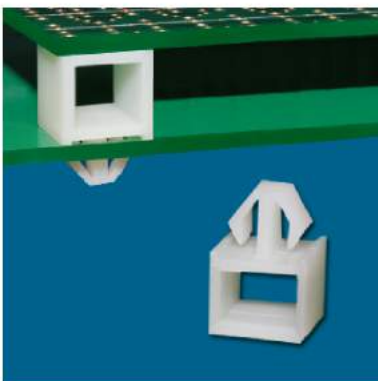
P.C.板間隔柱 SPACER SUPPORT

MATERIAL: NYLON 66(UL)
FLAME CLASS: 94V-2
COLOR: NATURAL

PART NO	A	T CHASSIS THICKNESS	E	PACKAGE
LD-13	13.3	1.2~1.6	3.8	500



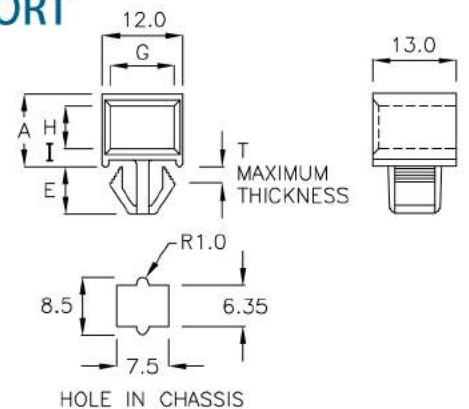
3-121-3



P.C.板間隔柱 SPACER SUPPORT

MATERIAL: NYLON 66(UL)
FLAME CLASS: 94V-2
COLOR: NATURAL

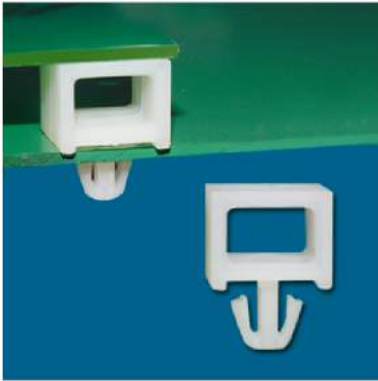
PART NO	A	E	G	H	I	T MAXIMUM THICKNESS	PACKAGE
LW-10	10.6	7.1	9.4	6.3	2.65	1.8	200
LW-012	12.7	7.1	9.2	8.2	2.75	1.8	
LW-013	12.5	6.4	9.1	8.2	2.5	1.4	



P.C.板間隔柱 SPACER SUPPORT

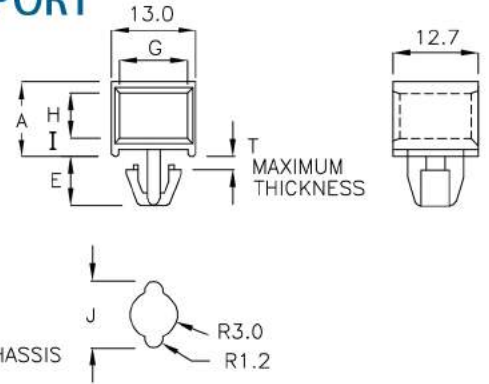
PINGOOD

3-122-1



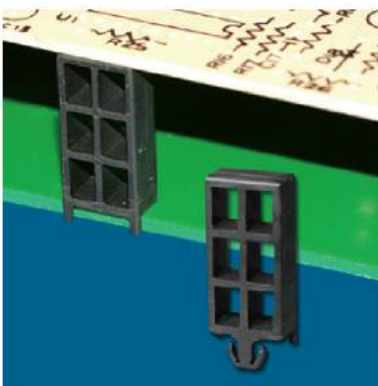
P.C.板間隔柱 SPACER SUPPORT

MATERIAL: NYLON 66(UL)
FLAME CLASS: 94V-2
COLOR: NATURAL



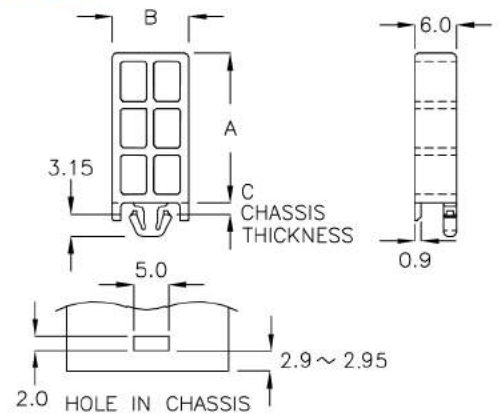
PART NO	A	E	G	H	I	J	T MAXIMUM THICKNESS	PACKAGE
LD-10A	10.6	7.2	9.5	6.1	2.5	8.4	1.6	500
LD-12C	12.6	7.1	9.1	8.2	2.65	9.4	1.6	

3-122-2



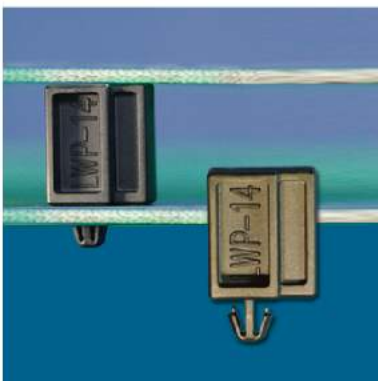
P.C.板間隔柱 SPACER SUPPORT

MATERIAL: NYLON 66(UL)
FLAME CLASS: 94V-2
COLOR: BLACK



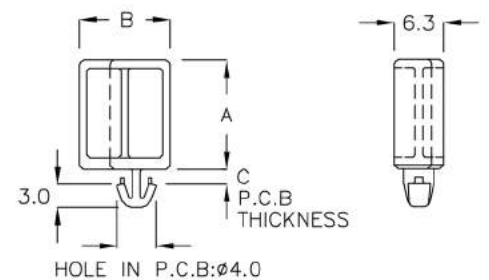
PART NO	A	B	C CHASSIS THICKNESS	PACKAGE
LWC-21A	21.5	11.0	1.4~1.6	500

3-122-3



P.C.板間隔柱 SPACER SUPPORT

MATERIAL: NYLON 66(UL)
FLAME CLASS: 94V-2
COLOR: NATURAL, BLACK

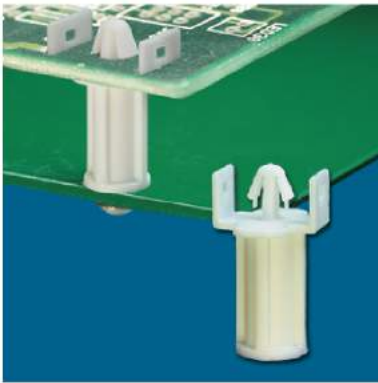


PART NO	A	B	C P.C.B. THICKNESS	PACKAGE
LWP-14	14.0	11.7	1.7	500

P.C.板間隔柱 SPACER SUPPORT

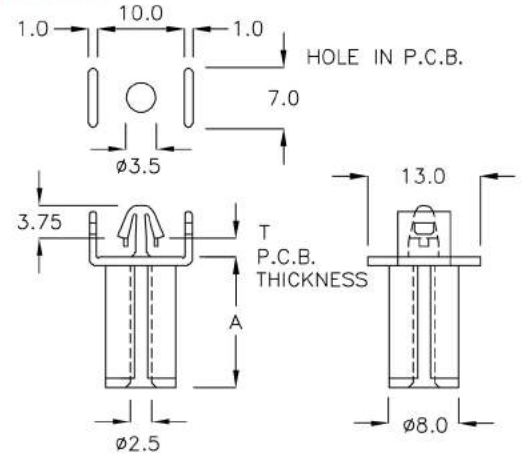
PINGOOD

3-123-1



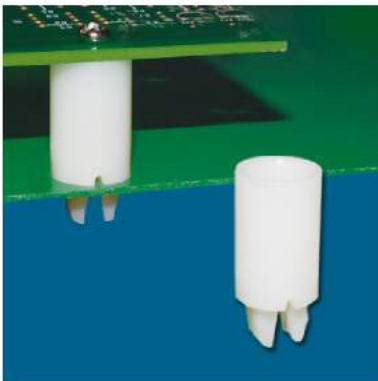
P.C.板間隔柱 SPACER SUPPORT

MATERIAL: NYLON 66(UL)
 FLAME CLASS: 94V-2
 COLOR: NATURAL
 TAPPING SCREW M3x8



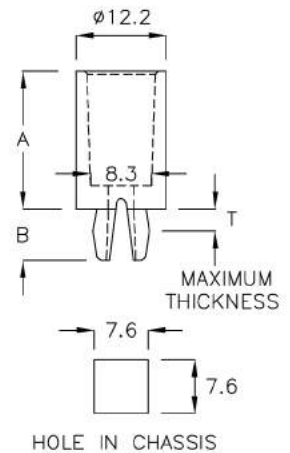
PART NO	A	T P.C.B. THICKNESS	PACKAGE
LSL-15	15.0	1.8~1.95	500

3-123-2



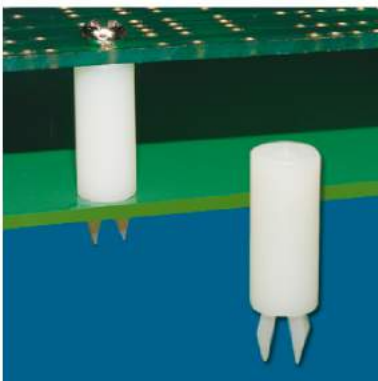
P.C.板間隔柱 SPACER SUPPORT

MATERIAL: NYLON 66(UL)
 FLAME CLASS: 94V-2
 USE STANDARD TAPPING
 SCREW: TAPPING SCREW
 #6-32UNC
 COLOR: NATURAL



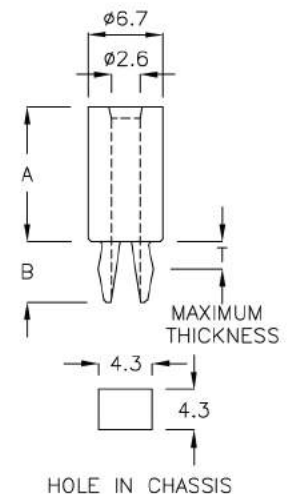
PART NO	A	B	T MAXIMUM THICKNESS	PACKAGE
TS-18	18.8	7.0	2.2	500

3-123-3



P.C.板間隔柱 SPACER SUPPORT

MATERIAL: NYLON 66(UL)
 FLAME CLASS: 94V-2
 USE STANDARD TAPPING
 SCREW: TAPPING SCREW
 M3x22mm
 COLOR: NATURAL

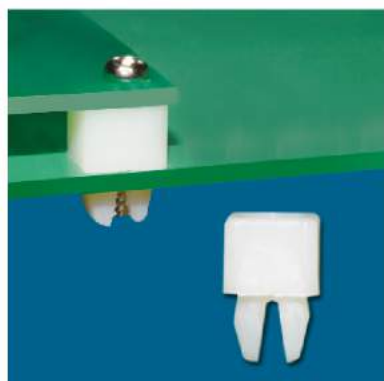


PART NO	A	B	T MAXIMUM THICKNESS	PACKAGE
TSA-16	15.9	5.5	1.6	200

P.C.板間隔柱SPACER SUPPORT

PINGOOD

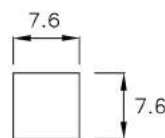
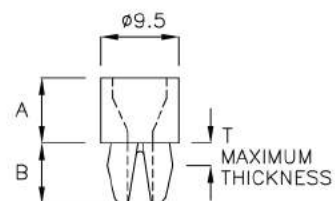
3-124-1



P.C.板間隔柱 SPACER SUPPORT

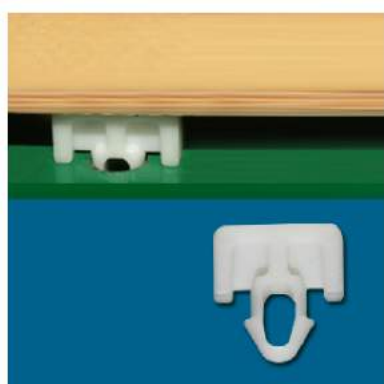
MATERIAL: NYLON 66(UL)
 FLAME CLASS: 94V-2
 USE STANDARD TAPPING
 SCREW: TAPPING SCREW
 #6-32UNC
 COLOR: NATURAL

PART NO	A	B	T MAXIMUM THICKNESS	PACKAGE
TB-6	1.3	7.0	2.2	1000
TB-6A	1.0	7.0	2.2	
TB-7	7.6	7.1	2.2	500



HOLE IN CHASSIS

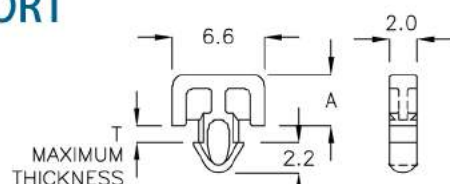
3-124-2



P.C.板間隔柱 SPACER SUPPORT

MATERIAL: NYLON 66(UL)
 FLAME CLASS: 94V-2
 COLOR: NATURAL

PART NO	A	T MAXIMUM THICKNESS	PACKAGE
LWH-3K	3.7	1.0	2000
LWH-5C	5.2	1.0	500



HOLE IN CHASSIS

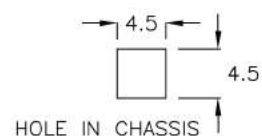
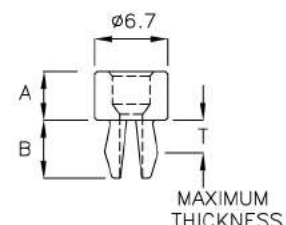
3-124-3



P.C.板間隔柱 SPACER SUPPORT

MATERIAL: NYLON 66(UL)
 FLAME CLASS: 94V-2
 USE STANDARD TAPPING
 SCREW: TAPPING M2.5
 COLOR: NATURAL

PART NO	A	B	T MAXIMUM THICKNESS	PACKAGE
TSC-4A	4.5	5.4	2.0	1000



HOLE IN CHASSIS

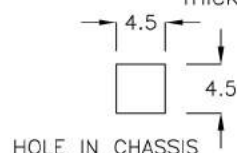
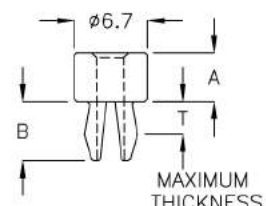
3-124-4



P.C.板間隔柱 SPACER SUPPORT

MATERIAL: NYLON 66(UL)
 FLAME CLASS: 94V-2
 USE STANDARD TAPPING
 SCREW: TAPPING M3
 COLOR: NATURAL

PART NO	A	B	T MAXIMUM THICKNESS	PACKAGE
TSC-4DK	4.5	5.4	2.3	1000

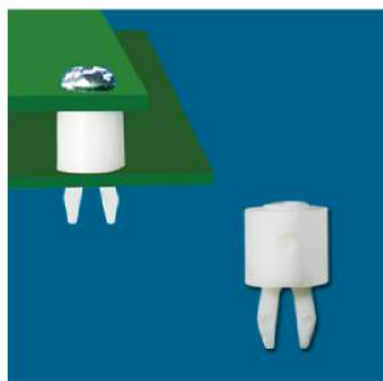


HOLE IN CHASSIS

P.C.板間隔柱 SPACER SUPPORT

PINGOOD

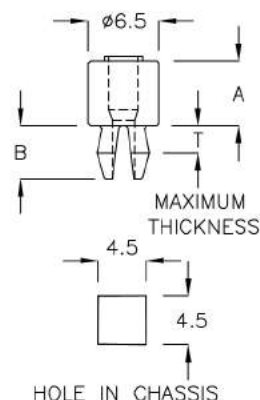
3-125-1



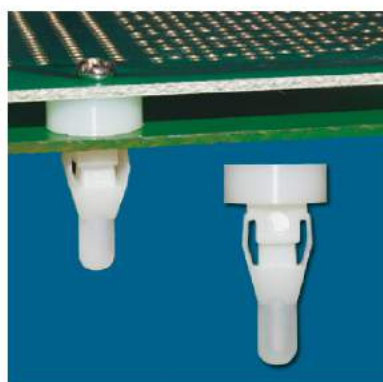
P.C.板間隔柱 SPACER SUPPORT

MATERIAL: NYLON 66(UL)
 FLAME CLASS: 94V-2
 USE STANDARD TAPPING
 SCREW: TAPPING M2.5
 COLOR: NATURAL

PART NO	A	B	T MAXIMUM THICKNESS	PACKAGE
TSD-6M	6.0	4.9	1.6	1000



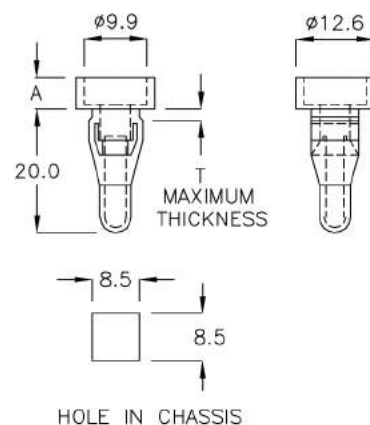
3-125-2



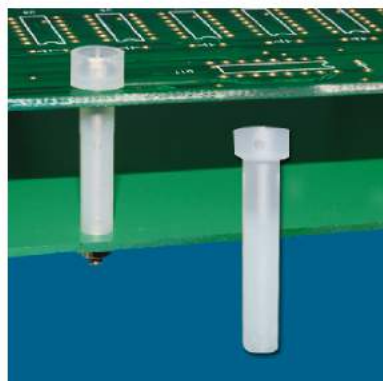
P.C.板間隔柱 SPACER SUPPORT

MATERIAL: NYLON 66(UL)
 FLAME CLASS: 94V-2
 USE STANDARD TAPPING
 SCREW: TAPPING M4x10mm
 COLOR: NATURAL

PART NO	A	T MAXIMUM THICKNESS	PACKAGE
TB-10	4.9	1.0	500
TB-10A	3.0	1.0	
TB-10C	0.8	1.0	



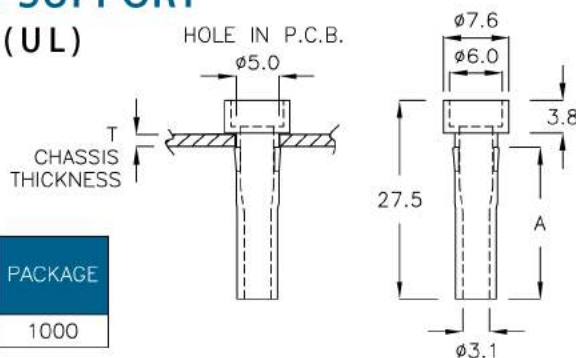
3-125-3



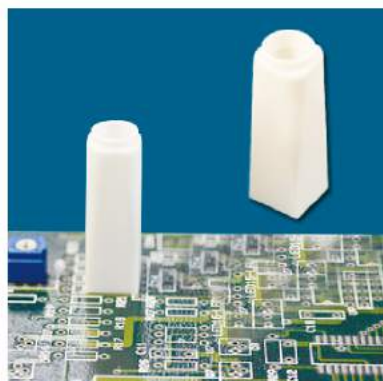
P.C.板間隔柱 SPACER SUPPORT

MATERIAL: NYLON 66(UL)
 FLAME CLASS: 94V-2
 COLOR: NATURAL

PART NO	A	T CHASSIS THICKNESS	PACKAGE
RMF-22	22.1	1.3 ~ 1.5	1000



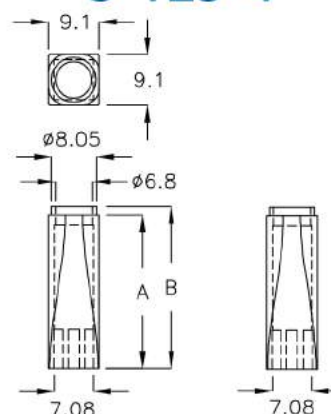
3-125-4



固定座 MOUNT

MATERIAL: NYLON 66(UL)
 FLAME CLASS: 94V-2
 COLOR: NATURAL

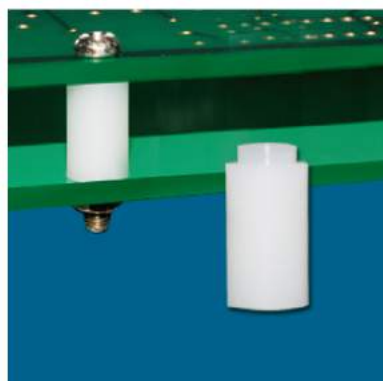
PART NO	A	B	PACKAGE
RMF-21A	21.4	23.0	500
RMF-25A	25.9	27.5	
RMF-27A	27.7	29.3	
RMF-32A	32.3	34.4	



P.C.板間隔柱SPACER SUPPORT

PINGOOD

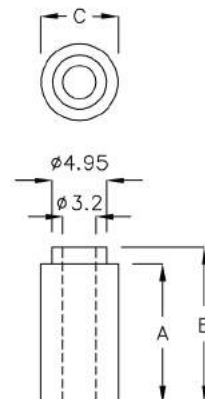
3-126-1



圓體間隔柱 SPACER SUPPORT

MATERIAL: NYLON 66(UL)
FLAME CLASS: 94V-2
COLOR: NATURAL

PART NO	A	B	C	PACKAGE
AD-012	12.0	13.5	ø7.0	500
AD-12A	12.5	14.0	ø7.0	



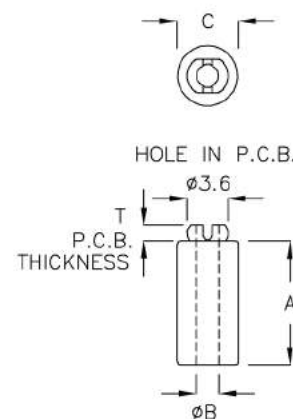
3-126-2



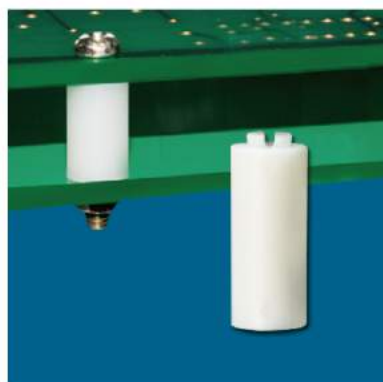
圓體間隔柱 SPACER SUPPORT

MATERIAL: NYLON 66(UL)
FLAME CLASS: 94V-2
COLOR: NATURAL

PART NO	A	B	C	T P.C.B. THICKNESS	PACKAGE
ADK-13	13.0	ø2.1	ø5.6	1.6	1000



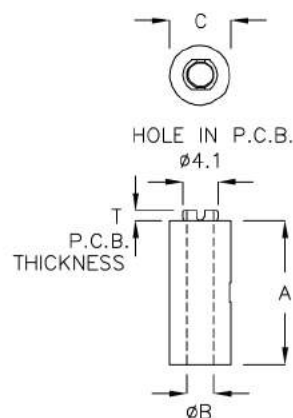
3-126-3



圓體間隔柱 SPACER SUPPORT

MATERIAL: NYLON 66(UL)
FLAME CLASS: 94V-2
COLOR: NATURAL

PART NO	A	B	C	T P.C.B. THICKNESS	PACKAGE
ADH-06C	6.3	ø3.25	ø7.4	1.4~1.6	1000
ADH-17	17.1	ø3.2	ø7.3	1.4~1.6	500
ADH-19T	19.1	ø3.25	ø7.4	1.4~1.6	



P.C.板間隔柱SPACER SUPPORT

PINGOOD

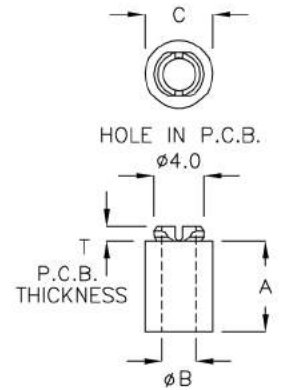
3-127-1



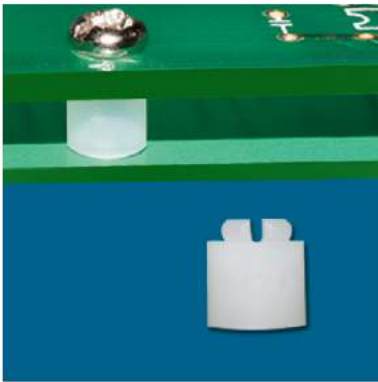
圓體間隔柱 SPACER SUPPORT

MATERIAL: NYLON 66(UL)
FLAME CLASS: 94V-2
COLOR: NATURAL

PART NO	A	B	C	T P.C.B. THICKNESS	PACKAGE
ADP-20A	20.0	ø3.2	ø5.0	1.0~1.2	500



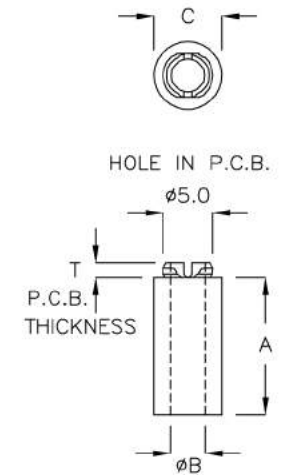
3-127-2



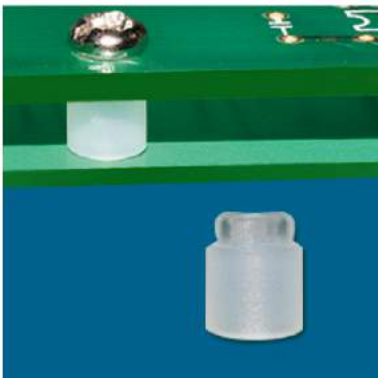
圓體間隔柱 SPACER SUPPORT

MATERIAL: NYLON 66(UL)
FLAME CLASS: 94V-2
COLOR: NATURAL

PART NO	A	B	C	T P.C.B. THICKNESS	PACKAGE
ADF-2M	2.5	ø3.5	ø7.0	1.6~1.8	1000
ADF-03	3.0	ø3.5	ø7.0	1.6~1.8	
ADF-3M	3.5	ø3.5	ø7.0	1.6~1.8	
ADF-04	4.0	ø3.5	ø7.0	1.6~1.8	
ADF-4M	4.5	ø3.5	ø7.0	1.6~1.8	
ADF-05	5.0	ø3.5	ø7.0	1.6~1.8	
ADF-5M	5.5	ø3.5	ø7.0	1.6~1.8	
ADF-06	6.0	ø3.5	ø7.0	1.6~1.8	
ADF-6M	6.5	ø3.5	ø7.0	1.6~1.8	
ADF-07	7.0	ø3.5	ø7.0	1.6~1.8	
ADF-7M	7.5	ø3.5	ø7.0	1.6~1.8	
ADF-08	8.0	ø3.5	ø7.0	1.6~1.8	
ADF-8M	8.5	ø3.5	ø7.0	1.6~1.8	
ADF-09	9.0	ø3.5	ø7.0	1.6~1.8	
ADF-10	10.0	ø3.5	ø7.0	1.6~1.8	
ADF-11	11.0	ø3.5	ø7.0	1.6~1.8	
ADF-17RM	17.5	ø3.5	ø7.0	1.6~1.8	500



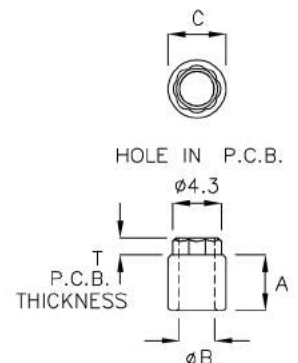
3-127-3



圓體間隔柱 SPACER SUPPORT

MATERIAL: NYLON 66(UL)
FLAME CLASS: 94V-2
COLOR: NATURAL

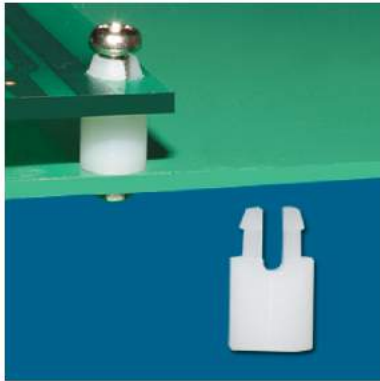
PART NO	A	B	C	T P.C.B. THICKNESS	PACKAGE
ADQ-05	5.0	ø3.2	ø5.2	1.6~1.8	2000



P.C.板間隔柱SPACER SUPPORT

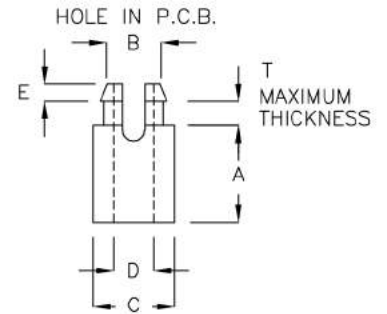
PINGOOD

3-128-1



P.C.板間隔柱 SPACER SUPPORT

MATERIAL: NYLON 66(UL)
FLAME CLASS: 94V-2
COLOR: NATURAL

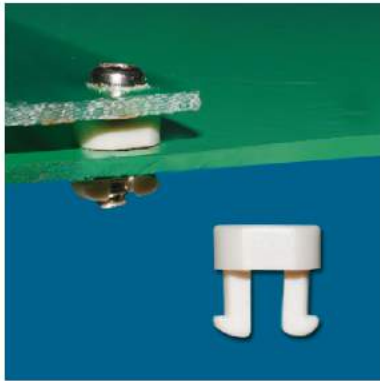


PART NO	A	B	C	D	T MAXIMUM THICKNESS	E	PACKAGE	
SRS2-2A	2.5	ø3.0	ø4.0	ø2.1	1.6	1.0	2000	
SRS2-2M	2.5	ø4.0	ø5.5	ø2.7	1.7	1.5		
SRS2-3	3.0	ø4.0	ø5.5	ø2.7	1.7	1.5		
SRS2-3GK	3.5	ø4.0	ø5.5	ø2.7	1.7	1.4		
SRS2-4	4.0	ø4.0	ø5.5	ø2.7	1.7	1.5		
SRS2-4AC	4.0	ø3.0	ø4.0	ø2.1	1.6	1.0		
SRS2-4CB	4.5	ø4.0	ø5.5	ø2.7	1.7	1.4		
SRS2-5	5.0	ø4.0	ø5.5	ø2.7	1.7	1.5		
SRS2-5ZM	5.5	ø4.0	ø5.5	ø2.7	1.7	1.4		
SRS2-6	6.0	ø4.0	ø5.5	ø2.7	1.7	1.5		
SRS2-6A	6.35	ø3.55	ø4.6	ø2.3	1.1	1.2		
SRS2-8	8.0	ø4.0	ø5.5	ø2.7	1.6	1.4		
SRS2-15	15.0	ø4.0	ø5.5	ø3.1	1.6	1.55	500	
SRS3-3	3.5	ø4.8	ø6.4	ø3.2	1.7	1.4	2000	
SRS3-3A	3.0	ø4.0	ø5.5	ø2.8	1.6	1.4		
SRS3-3M	3.0	ø4.8	ø6.5	ø3.2	1.7	1.7		
SRS3-3S	2.7	ø4.8	ø6.5	ø3.2	1.7	1.6		
SRS3-4	4.0	ø4.8	ø6.5	ø3.2	1.7	1.7		
SRS3-4A	4.5	ø4.8	ø6.5	ø3.4	1.6	1.9		
SRS3-5	5.0	ø4.8	ø6.5	ø3.2	1.7	1.6		
SRS3-6	6.5	ø4.8	ø6.4	ø3.2	1.7	1.6	1000	
SRS3-6S	6.1	ø4.8	ø6.5	ø3.2	1.7	1.6		
SRS3-7	7.7	ø4.8	ø6.5	ø3.2	1.7	1.7		
SRS3-7F	7.4	ø4.8	ø6.5	ø3.2	1.7	1.7		
SRS3-7S	7.0	ø4.8	ø6.5	ø3.2	1.7	1.6		
SRS3-8	8.0	ø4.8	ø6.5	ø3.2	1.7	1.6		
SRS3-9	9.0	ø4.8	ø6.5	ø3.2	1.7	1.8		
SRS3-10M	10.5	ø4.8	ø6.5	ø3.2	1.7	1.7		
SRS3-12A	12.7	ø4.8	ø6.5	ø3.2	1.7	1.6		500
SRS3-14	14.2	ø4.8	ø6.5	ø3.2	1.7	1.7		
SRS4-6	6.4	ø6.0	ø6.9	ø3.9	1.7	1.6	1000	
SRS4-12	12.7	ø6.0	ø6.9	ø3.9	1.7	1.7	500	
SRS4-12S	12.0	ø6.0	ø6.9	ø3.9	1.7	1.6		

P.C.板間隔柱 SPACER SUPPORT

PINGOOD

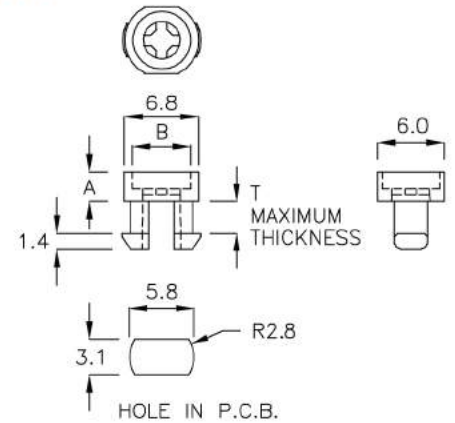
3-129-1



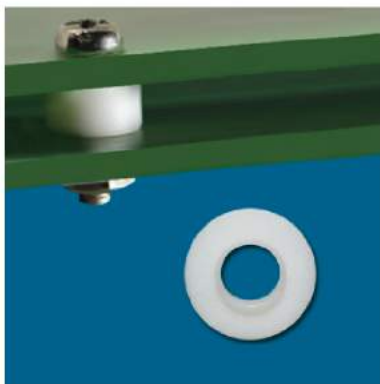
P.C.板間隔柱 SPACER SUPPORT

MATERIAL: NYLON 66(UL)
FLAME CLASS: 94V-2
COLOR: NATURAL

PART NO	A	B	T MAXIMUM THICKNESS	PACKAGE
SSR-2A	2.65	∅5.2	2.6	2000



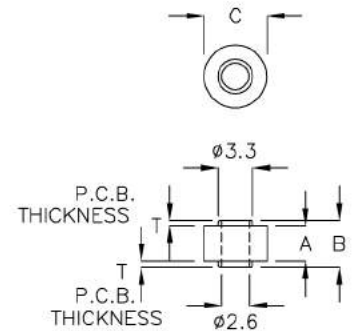
3-129-2



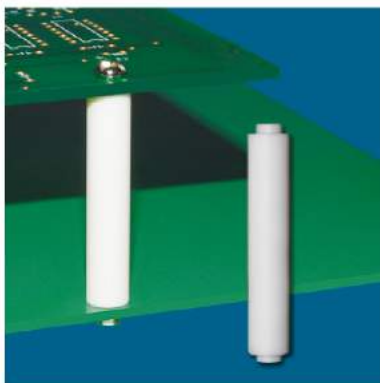
圓體間隔柱 SPACER SUPPORT

MATERIAL: NYLON 66(UL)
FLAME CLASS: 94V-2
COLOR: NATURAL

PART NO	A	B	C	T P.C.B. THICKNESS	PACKAGE
ADJ-2CH	2.9	3.9	∅6.0	0.8~1.6	2000
ADJ-3FQ	3.4	4.4	∅6.0	0.8~1.6	



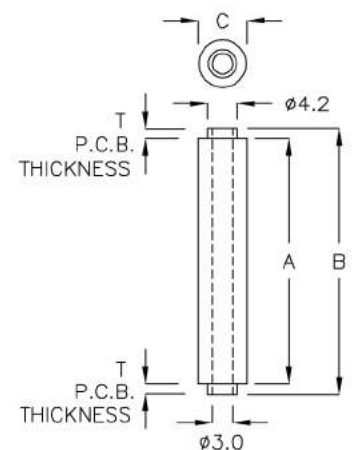
3-129-3



圓體間隔柱 SPACER SUPPORT

MATERIAL: NYLON 66(UL)
FLAME CLASS: 94V-0
COLOR: NATURAL

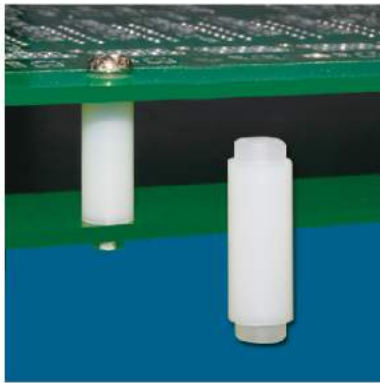
PART NO	A	B	C	T P.C.B. THICKNESS	PACKAGE
AD-35A	35.4	38.4	∅7.0	1.6~1.8	500



P.C.板間隔柱SPACER SUPPORT

PINGOOD

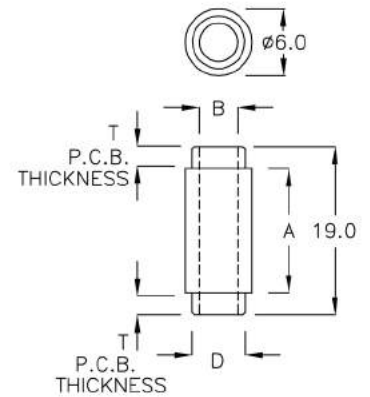
3-130-1



圓體間隔柱 SPACER SUPPORT

MATERIAL: NYLON 66(UL)
FLAME CLASS: 94V-2
COLOR: NATURAL

PART NO	A	B	D	T P.C.B. THICKNESS	PACKAGE
ADA-15	15.0	∅3.5	∅4.8	2.2~2.4	1000



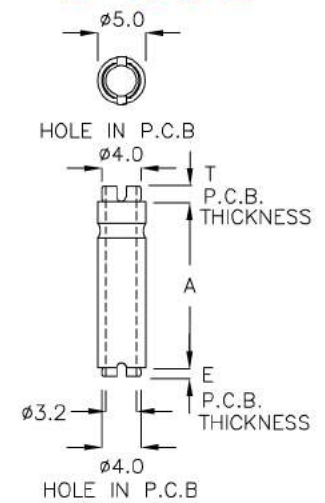
3-130-2



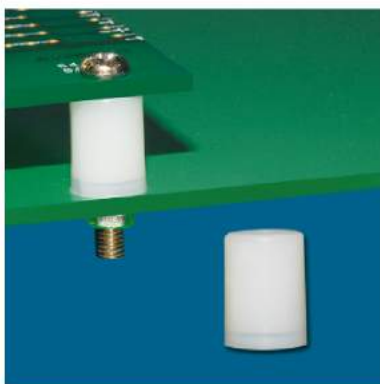
圓體間隔柱 SPACER SUPPORT

MATERIAL: NYLON 66(UL)
FLAME CLASS: 94V-2
COLOR: NATURAL

PART NO	A	T P.C.B. THICKNESS	E P.C.B. THICKNESS	PACKAGE
ADM-20A	20.0	1.8~2.0	1.0~1.2	500



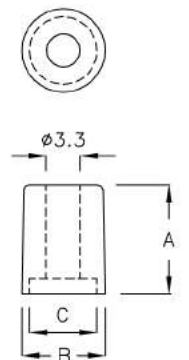
3-130-3



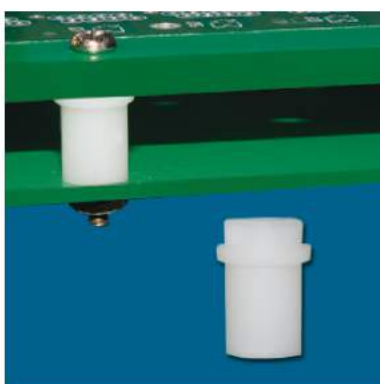
P.C.板間隔柱 SPACER SUPPORT

MATERIAL: NYLON 66(UL)
FLAME CLASS: 94V-2
COLOR: NATURAL

PART NO	A	B	C	PACKAGE
SH-10	10.5	∅8.0	∅6.5	1000



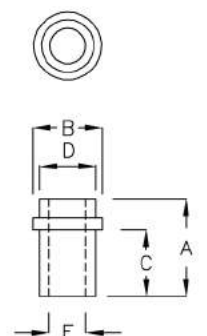
3-130-4



絕緣套 BUSHING

MATERIAL: NYLON 66(UL)
FLAME CLASS: 94V-2
COLOR: NATURAL

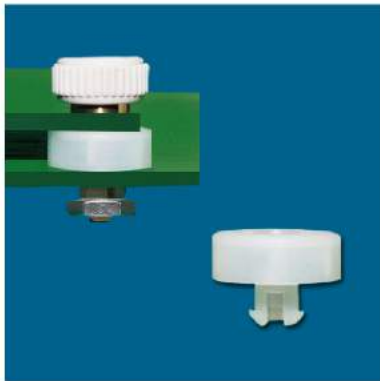
PART NO	A	B	C	D	E	PACKAGE
SH-12A	12.7	∅9.0	8.7	∅7.4	∅4.8	1000



P.C.板間隔柱 SPACER SUPPORT

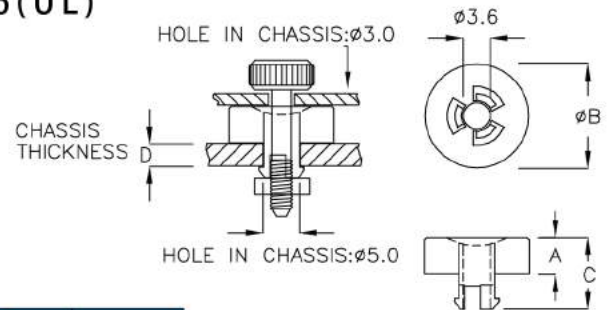
PINGOOD

3-131-1



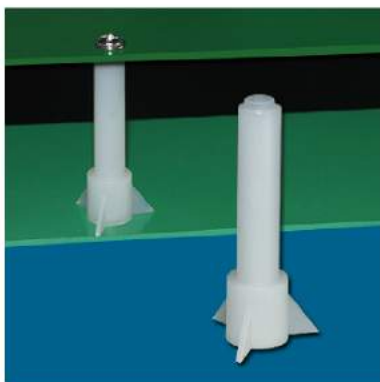
P.C.板間隔柱 SPACER SUPPORT

MATERIAL: NYLON 66(UL)
FLAME CLASS: 94V-2
COLOR: NATURAL
SCREW: M3



PART NO	A	B	C	D CHASSIS THICKNESS	PACKAGE
MHT-05	5.0	14.0	10.2	3.2~3.4	1000
MHT-5A	5.0	14.0	9.6	2.8~3.0	

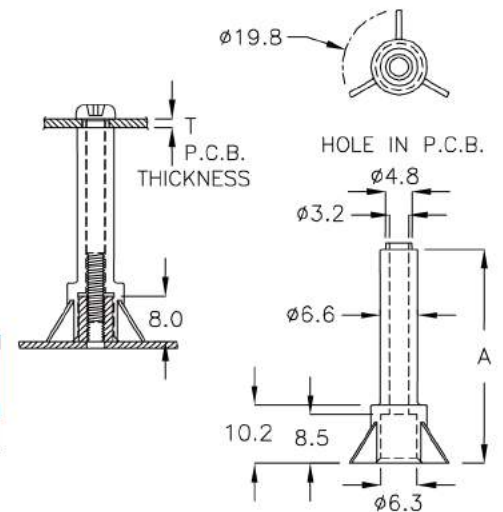
3-131-2



P.C.板間隔柱 SPACER SUPPORT

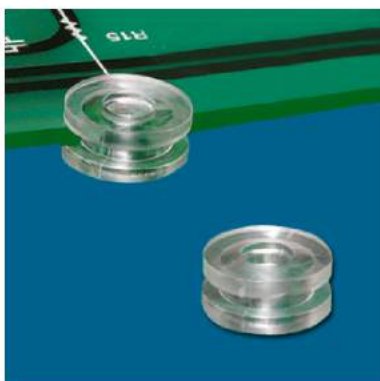
MATERIAL: NYLON 66(UL)
FLAME CLASS: 94V-2
COLOR: NATURAL

NEW



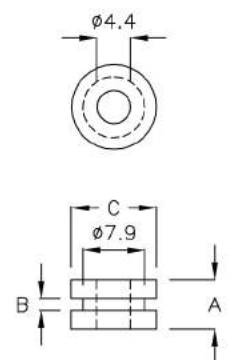
PART NO	A	T P.C.B. THICKNESS	PACKAGE
★ADGF-38C	37.5	0.8~1.0	200

3-131-3



圓體間隔柱 SPACER SUPPORT

MATERIAL: PC(UL)
FLAME CLASS: 94V-2
COLOR: CLEAR

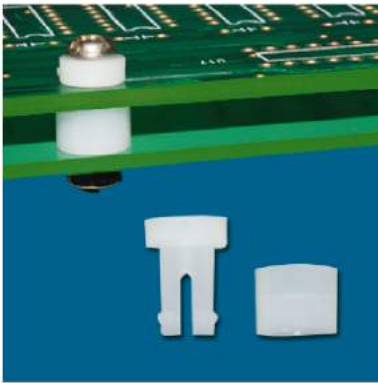


PART NO	A	B	C	PACKAGE
RS-2	5.0	1.6	$\phi 11.0$	500

P.C.板間隔柱SPACER SUPPORT

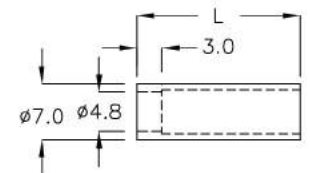
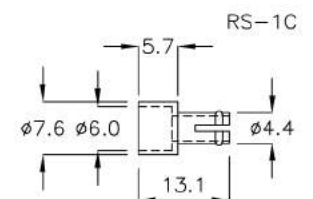
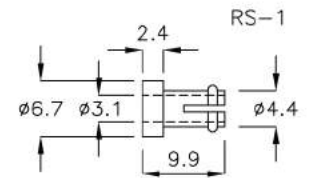
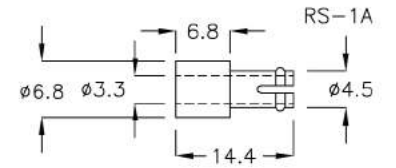
PINGOOD

3-132-1



P.C.板間隔柱 SPACER SUPPORT

MATERIAL: NYLON 66(UL)
 FLAME CLASS: 94V-2
 SCREW: M3
 P.C.B MAX THICKNESS: 2.4mm
 COLOR: NATURAL



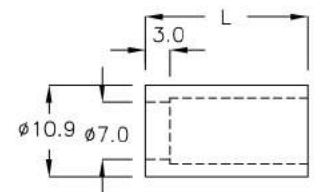
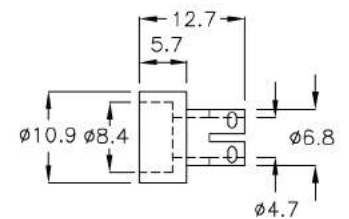
PART NO	L	HOLE IN P.C.B	HOLE IN CHASSIS	PACKAGE
RS-1	RS-57	6.0	ø5.0	ø3.5
	RS-78	7.8		
RS-1A	RS-105	10.5	ø5.0	ø3.5
	RS-145	14.5		
RS-1C	RS-160	16.0	ø5.0	ø3.5
	RS-180	18.4		
RS-1C	RS-215	21.5	ø5.0	ø3.5
	RS-280	28.2		

3-132-2



P.C.板間隔柱 SPACER SUPPORT

MATERIAL: ABS
 FLAME CLASS: 94HB
 SCREW: M4
 P.C.B MAX THICKNESS: 2.0mm
 COLOR: NATURAL

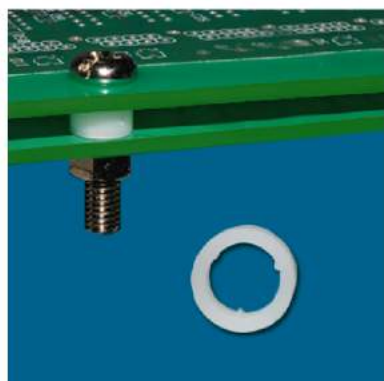


PART NO	L	HOLE IN P.C.B	HOLE IN CHASSIS	PACKAGE
RL-1	RL-6S	5.7	ø7.2	ø4.5
	RL-10	10.0		
	RL-15	15.2		
	RL-20	20.2		
	RL-25	25.2		

P.C.板間隔柱SPACER SUPPORT

PINGOOD

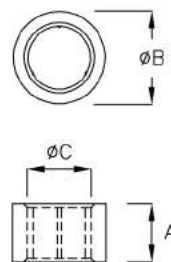
3-133-1



圓體間隔柱 SPACER SUPPORT

MATERIAL: NYLON 66(UL)
FLAME CLASS: 94V-2
COLOR: NATURAL

PART NO	A	B	C	PACKAGE
505-3L	5.0	8.0	5.45	2000



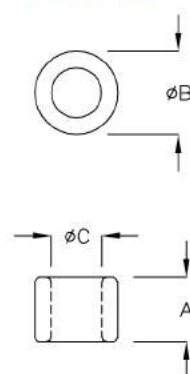
3-133-2



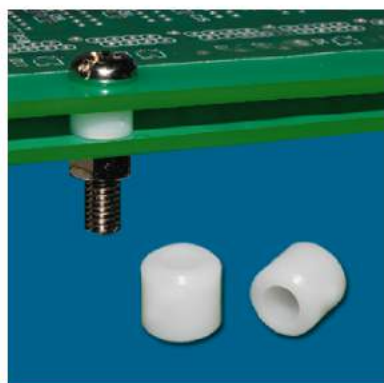
圓體間隔柱 SPACER SUPPORT

MATERIAL: NYLON 66(UL)
FLAME CLASS: 94V-2
COLOR: NATURAL

PART NO	A	B	C	PACKAGE
403QP	3.8	5.8	4.3	2000
6310A	10.8	12.4	6.3	1000



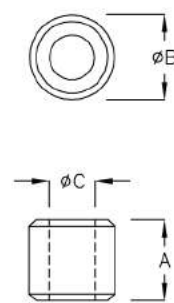
3-133-3



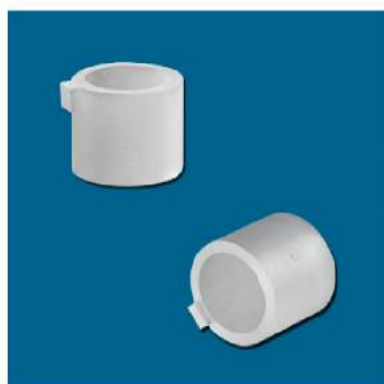
圓體間隔柱 SPACER SUPPORT

MATERIAL: NYLON 66(UL)
FLAME CLASS: 94V-2
COLOR: NATURAL

PART NO	A	B	C	PACKAGE
509A	9.0	9.5	5.1	1000
304K	4.0	5.0	3.15	2000



3-133-4

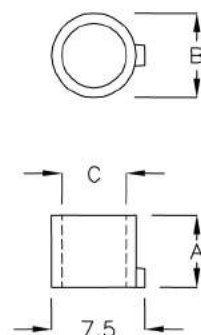


圓體間隔柱 SPACER SUPPORT

MATERIAL: NYLON 66(UL)
FLAME CLASS: 94V-2
COLOR: NATURAL

NEW

PART NO	A	B	C	PACKAGE
★ UFT-5A	5.8	$\phi 6.8$	$\phi 5.2$	1000

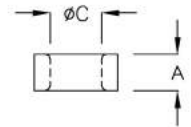


P.C.板間隔柱SPACER SUPPORT

PINGOOD

3-134-1

圓體間隔柱 SPACER SUPPORT



PART NO	A	B	C	PACKAGE
403C	3.5	8.0	4.9	2000

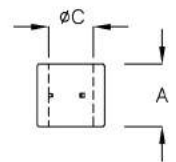
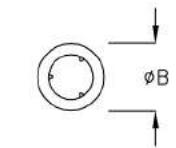
MATERIAL: NYLON 66(UL)
FLAME CLASS: 94V-2
COLOR: NATURAL, BLACK

3-134-2

圓體間隔柱 SPACER SUPPORT



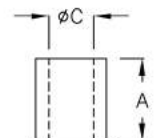
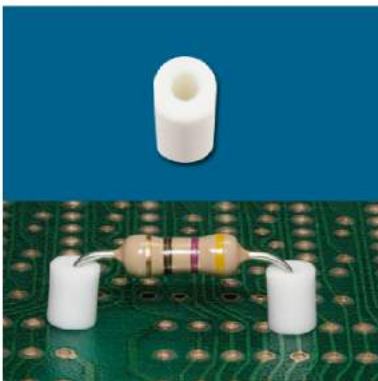
PART NO	A	B	C	USE SCREW	PACKAGE
KWT-103	3.1	2.5	1.0	M3	2000
KWT-302	2.0	5.0	3.3		
KWT-305	5.0	5.0	3.3		
KWT-306	6.0	5.0	3.3		
KWT-308	8.0	5.0	3.3		
KWT-310	10.0	5.0	3.3		
KWT-311	11.0	5.0	3.3		
KWT-405	5.0	6.5	4.3	M4	
KWT-406	6.0	6.5	4.3		
KWT-408	8.0	6.5	4.3		
KWT-410	10.0	6.5	4.3		
KWT-412	12.0	6.5	4.3		
KWT-414	14.0	6.5	4.3		
KWT-416	16.0	6.5	4.3		



MATERIAL: NYLON 66(UL)
FLAME CLASS: 94V-2
COLOR: NATURAL

3-134-3

零件墊片 COMPONENT PAD



PART NO	A	B	C	PACKAGE
103C	3.0	4.5	1.8	2000
103DC	3.1	2.5	1.1	
104C	4.5	4.5	1.8	
104DC	4.5	3.8	1.0	
104MC	4.5	3.6	1.2	
105AC	4.9	9.0	4.2	
109AC	8.9	3.2	1.5	
109C	9.0	4.5	1.8	

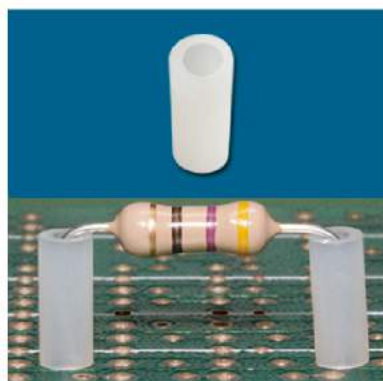
PART NO	A	B	C	PACKAGE
109DC	9.0	3.8	1.0	2000
115MC	15.4	4.1	1.9	

MATERIAL: CERAMICS
COLOR: NATURAL

P.C.板間隔柱SPACER SUPPORT

PINGOOD

3-135-1



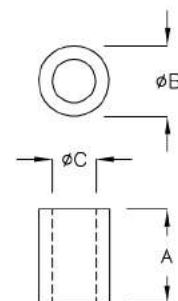
零件墊片 COMPONENT PAD

MATERIAL: NYLON 66(UL)

FLAME CLASS: 94V-2

COLOR: NATURAL

OPTIONAL MATERIAL: PBT(UL)



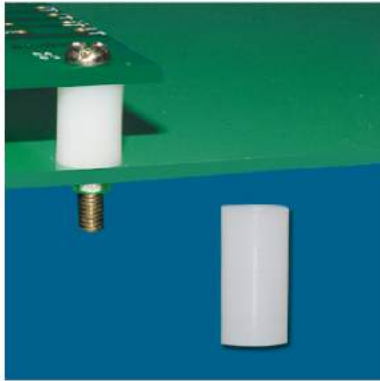
PART NO	A	B	C	PACKAGE
101A	1.1	3.0	1.7	2000
101CR	1.6	2.2	0.7	
101DC	1.6	3.2	0.8	
101MT	1.6	3.2	1.2	
102(H)	2.5	3.2	1.5	
102F	2.0	3.0	1.5	
102JK	2.4	3.5	1.8	
103	3.6	3.5	1.4	
103AF	3.0	2.5	1.5	
103K	3.1	2.2	0.8	
103MR	3.2	2.2	0.8	
103TD	3.2	3.2	1.2	
103M	3.5	4.5	1.6	
103S	3.0	3.5	1.4	
104	4.2	4.5	1.4	
104AD	4.8	2.2	0.8	
104CF	4.8	3.2	1.2	
104A	5.0	4.0	1.4	
104M	4.5	4.5	1.6	

PART NO	A	B	C	PACKAGE
105	5.0	4.5	1.6	2000
105A	5.0	3.0	1.4	
105M	5.5	4.5	1.6	
106	6.0	4.4	1.6	
106GK	6.4	3.2	1.2	
106HJ	6.4	4.0	1.2	
107	7.0	4.4	1.6	
108BH	7.9	3.2	1.2	
108GL	7.9	4.0	1.2	
108	8.0	4.5	1.4	
108A	8.0	3.2	1.6	
109CM	9.5	3.2	1.2	
112NP	12.7	3.2	1.2	

P.C.板間隔柱SPACER SUPPORT

PINGOOD

3-136-1

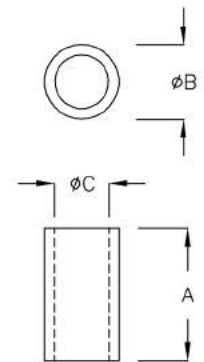


圓體間隔柱 SPACER SUPPORT

MATERIAL: NYLON 66(UL)

FLAME CLASS: 94V-2

COLOR: NATURAL



PART NO	A	B	C	PACKAGE
201	1.0	3.7	2.2	2000
201A	1.5	3.7	2.2	
201KG	1.6	2.2	0.8	
201JM	1.6	3.6	2.2	
201FN	1.6	4.2	2.7	
201C	1.8	3.7	2.2	
201D	1.9	3.0	2.0	
202	2.0	4.5	2.5	
202C	2.0	3.7	2.2	
202F	2.6	4.6	2.7	
202A	2.5	3.7	2.2	
203	3.0	4.5	2.5	
203A	3.0	3.6	2.2	
203C	3.0	3.7	2.2	
203EG	3.2	3.2	2.3	
203KJ	3.2	3.6	2.2	
203BU	3.2	4.2	2.7	
203M	3.5	4.5	2.5	
203D	3.7	4.5	2.5	
204	4.0	4.5	2.5	
204KT	4.0	4.7	2.7	
204A	4.1	3.6	2.2	
204M	4.5	4.5	2.5	
204FP	4.8	3.2	2.3	
204GN	4.8	3.6	2.2	
204NJ	4.8	4.2	2.7	
205	5.0	4.5	2.5	
205C	5.5	4.5	2.5	
206	6.0	4.5	2.5	
206BQ	6.4	3.2	2.3	
206AP	6.4	3.6	2.2	
206DN	6.4	4.2	2.7	
206CH	6.4	4.8	2.3	
206M	6.5	4.5	2.5	
206F	6.6	4.8	2.8	
207	7.0	4.8	2.3	
207A	7.0	3.7	2.2	
207C	7.5	3.7	2.3	

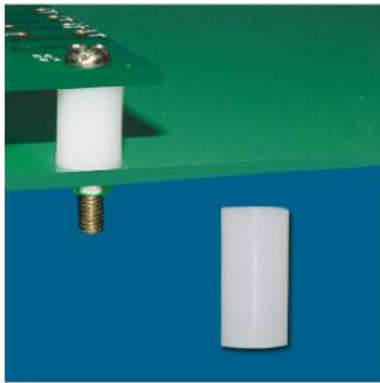
PART NO	A	B	C	PACKAGE	
208FJ	7.9	3.6	2.2	2000	
208	8.0	4.5	2.5		
208C	8.5	4.5	2.5		
209	9.0	4.5	2.5		
209AQ	9.5	3.6	2.2		
209C	9.5	4.5	2.5		
210	10.0	4.5	2.5		
211	11.0	3.7	2.2		
301PW	1.5	5.0	3.1		2000
301NL	1.6	4.8	3.2		
301BR	1.6	6.4	3.2		
301GS	1.6	6.4	3.7		
302A	2.0	6.0	3.0		
302C	2.0	6.5	3.1		
302B	2.5	5.0	3.1		
302DK	2.0	8.0	3.5		
302JY	2.5	8.0	3.2		
303	3.3	5.0	3.1		
303A	3.0	6.0	3.1		
303C	3.5	5.7	3.1		
303D	3.0	5.0	3.1		
303F	2.6	8.0	3.5		
303H	3.0	6.35	3.2		
303Q	2.8	6.35	3.2		
303DQ	3.2	4.8	3.2		
303HP	3.2	6.4	3.2		
303YF	3.2	6.4	3.7		
303RP	3.8	5.2	3.7		
303S	3.5	4.0	3.0	2000	
304A	4.0	5.0	3.2		
304	4.2	5.0	3.1		
304C	4.5	6.0	3.2		
304PR	4.8	4.8	3.2		
304HX	4.8	6.4	3.2		
304JS	4.8	6.4	3.7		
305	5.0	5.0	3.1		
305A	5.0	8.0	3.1		
305C	5.5	5.0	3.0		
305DM	5.9	5.7	3.7		

PART NO	A	B	C	PACKAGE
306	6.1	5.0	3.1	2000
306A	6.3	6.5	3.9	
306XF	6.4	4.8	3.2	
306KY	6.4	6.4	3.2	
306QS	6.4	6.4	3.7	
306M	6.5	5.0	3.1	
306SK	6.0	8.0	3.3	
307	7.0	5.0	3.1	
307A	7.5	5.0	3.1	
307B	7.5	3.9	3.1	
308CW	7.9	6.4	3.2	
308FR	7.9	6.4	3.7	
308LT	7.9	4.8	3.2	
308	8.1	5.0	3.1	
308C	8.4	6.5	3.9	
308M	8.5	5.0	3.1	
308A	8.7	5.0	3.1	
309A	9.0	5.0	3.1	
309	9.2	5.0	3.1	
309MS	9.5	4.8	3.2	
309PT	9.5	6.4	3.7	
309C	9.6	7.5	3.5	
310	10.1	5.0	3.1	1000
311	11.0	5.0	3.1	
311MH	11.1	4.8	3.2	
311BN	11.1	6.4	3.2	
312A	12.0	5.0	3.2	
312	12.3	5.0	3.1	
313	13.0	5.0	3.1	
314	14.0	5.0	3.1	
315	15.0	5.0	3.1	
316	16.0	5.0	3.1	
317	17.0	5.0	3.1	
318	18.3	5.0	3.1	
319	19.0	5.0	3.1	
320	20.0	5.0	3.1	
324	24.0	5.0	3.1	
331	31.0	5.0	3.1	500
338	38.0	5.9	3.1	

P.C.板間隔柱SPACER SUPPORT

PINGOOD

3-137-1

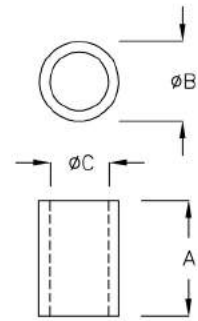


圓體間隔柱 SPACER SUPPORT

MATERIAL: NYLON 66(UL),POM

FLAME CLASS: 94V-2

COLOR: NATURAL



PART NO	A	B	C	PACKAGE	
401AF	1.6	6.4	4.3	2000	
402	2.0	6.5	4.0		
402TK	2.5	8.0	4.0		
402A	2.5	6.5	4.0		
403	3.0	6.5	4.0		
403DG	3.2	6.4	4.3		
403A	3.5	5.9	4.5		
403RL	3.5	8.0	4.5		
404	4.0	6.5	4.0		
404C	4.0	6.5	3.5		
405	5.2	6.5	3.9		
405A	4.5	10.7	4.3		1000
405MQ	4.8	6.4	4.3		2000
406	6.0	6.5	4.1		
406A	6.4	6.5	4.1		
406SR	6.4	6.4	4.3		
406B	6.1	6.5	4.4		
406D	6.3	9.8	4.4		
407	7.2	6.5	4.0		
407C	7.5	6.5	4.1		
408QF	7.9	6.4	4.3		
408	8.1	6.5	4.0		
408H	8.5	6.5	4.1		
408L	8.0	7.4	4.5		
409	9.1	6.5	3.9		
409C	9.5	6.5	4.1		
410	10.0	6.5	4.1	1000	
411	11.0	6.5	4.1		
411TP	11.1	6.4	4.3		
412	12.0	6.3	4.2		
413	13.0	6.5	4.1		
414	14.0	8.0	4.2		
415	15.0	6.5	4.1		
416A	16.8	6.3	4.2		
417	17.1	6.3	4.2		
420	20.0	8.0	4.2		
421	21.0	8.0	4.0		
422A	22.23	8.0	4.93		500

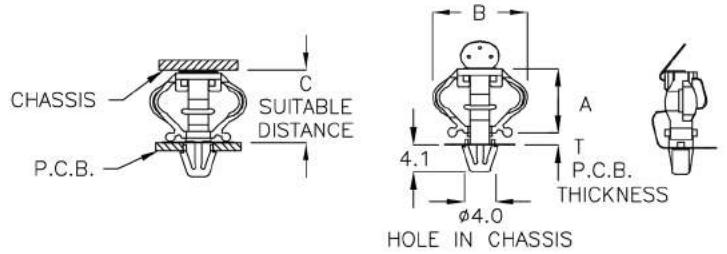
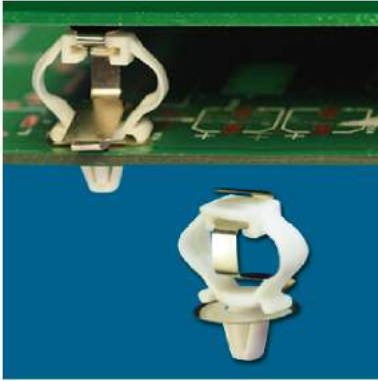
PART NO	A	B	C	PACKAGE	
425A	25.4	6.3	4.3	500	
427A	27.5	6.5	4.1		
428	28.0	6.5	4.1		
428A	28.7	6.5	4.1		
433A	33.5	8.0	4.3		
503	3.0	7.0	5.0		2000
503A	3.2	9.5	4.9		
505	5.0	8.0	5.3		
506	6.0	7.0	5.3		
507	7.0	8.0	4.9	1000	
508	7.9	7.0	5.3		
508A	8.0	10.0	5.6		
509	9.0	7.0	5.3		
509M	9.6	8.0	5.0		
510	10.0	7.0	5.3		
510A	9.4	10.0	5.4		
516	16.0	7.0	5.3		
525	25.0	8.0	5.1		500
527A	27.5	7.0	5.5		
530	30.0	8.0	5.1		
612	12.6	6.5	3.8	1000	
614	14.2	6.5	3.7		
617	17.0	9.9	6.2		
6305	5.0	8.5	6.3		
6305A	5.5	7.3	6.3		
6305PH	5.0	11.0	6.3		
6315CX	15.0	11.0	6.3		
8305RT	5.0	13.0	8.3		
8315DK	15.0	13.0	8.3		
8507	6.9	10.5	8.5		
9634C	34.0	19.0	9.5	200	
51-080	8.0	8.0	5.1	1000	
57-065	6.5	13.0	5.7		
64-072	7.2	7.6	6.4		
65-100	10.0	10.0	6.5		
70-080	8.0	10.0	7.0		
70-110	11.0	10.0	7.0		
75-130	13.0	10.5	7.5		
82-080	8.0	10.6	8.2		

P.C.板間隔柱 SPACER SUPPORT

PINGOOD

3-138-1

導電板間隔柱 CONDUCTIVE SUPPORT

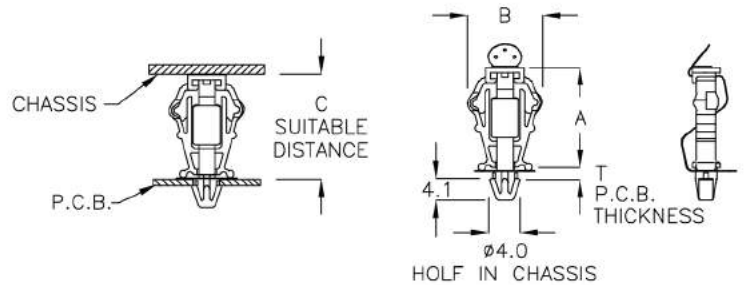
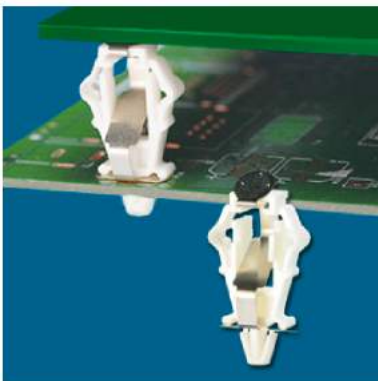


MATERIAL: NYLON 66(UL)
 FLAME CLASS: 94V-2
 COLOR: NATURAL
 MATERIAL: PHOSPHOR BRONZE
 PLATING: NICKEL

PART NO	A	B	T P.C.B. THICKNESS	C SUITABLE DISTANCE	PACKAGE
CQA-10	10.0	14.8	1.2~1.6	7.0~9.0	1000

3-138-2

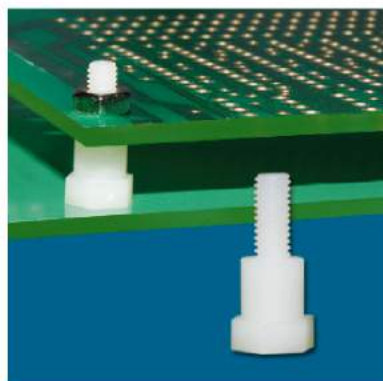
導電板間隔柱 CONDUCTIVE SUPPORT



MATERIAL: NYLON 66(UL)
 FLAME CLASS: 94V-2
 COLOR: NATURAL
 MATERIAL: PHOSPHOR BRONZE
 PLATING: NICKEL

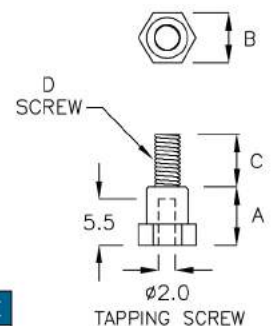
PART NO	A	B	T P.C.B. THICKNESS	C SUITABLE DISTANCE	PACKAGE
CQA-14DS	14.5	13.7	1.2~1.4	13.0~14.3	1000
CQA-18K	18.45	13.7	1.2~1.4	18.0~18.3	

3-138-3



P.C.板間隔柱 SPACER SUPPORT

MATERIAL: NYLON 66(UL)
 FLAME CLASS: 94V-2
 COLOR: NATURAL
 SCREW: M2.5 TAPPING SCREW

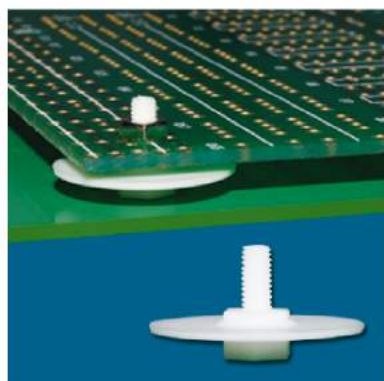


PART NO	A	B	C	D	PACKAGE
SQ-10A	7.0	6.0	6.3	M3	1000

P.C.板間隔柱 SPACER SUPPORT

PINGOOD

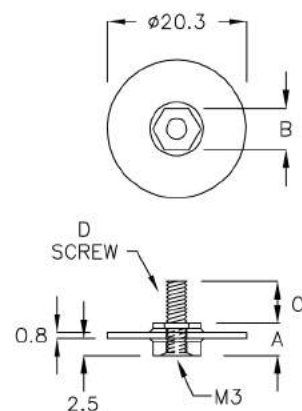
3-139-1



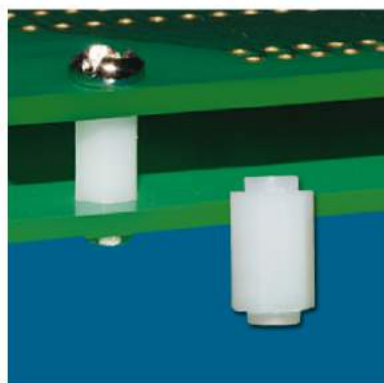
P.C.板間隔柱 SPACER SUPPORT

MATERIAL: NYLON 66(UL)
FLAME CLASS: 94V-2
COLOR: NATURAL

PART NO	A	B	C	D	PACKAGE
TAH-05	4.7	6.0	6.0	M3	500



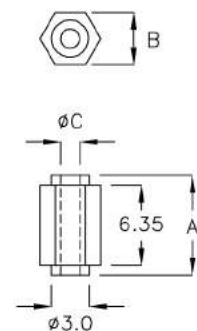
3-139-2



六角型間隔柱 SPACER SUPPORT

MATERIAL: NYLON 66(UL)
FLAME CLASS: 94V-2
COLOR: NATURAL
SCREW: M2 TAPPING SCREW

PART NO	A	B	C	PACKAGE
HHB-06D	7.95	4.15	1.6	1000



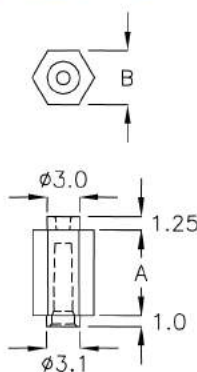
3-139-3



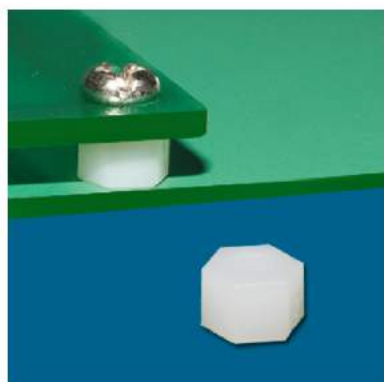
六角型間隔柱 SPACER SUPPORT

MATERIAL: NYLON 66(UL)
FLAME CLASS: 94V-2
COLOR: NATURAL
SCREW: M2x5.5 SCREW

PART NO	A	B	PACKAGE
HHJ-8KC	7.95	5.0	1000



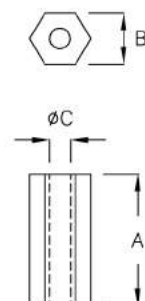
3-139-4



六角型間隔柱 SPACER SUPPORT

MATERIAL: NYLON 66(UL)
FLAME CLASS: 94V-2
COLOR: NATURAL
SCREW: M3 TAPPING SCREW

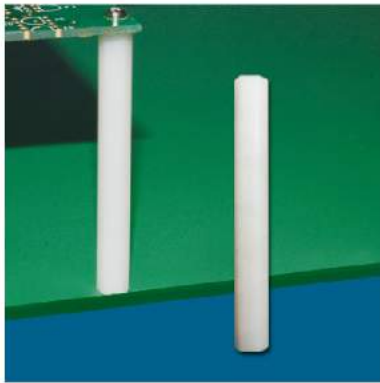
PART NO	A	B	C	PACKAGE
HWH-04	4.0	5.5	2.5	1000
HWH-10	10.0	4.5	2.45	



P.C.板間隔柱SPACER SUPPORT

PINGOOD

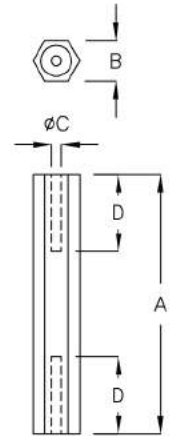
3-140-1



六角型間隔柱 SPACER SUPPORT

MATERIAL: NYLON 66(UL)
 FLAME CLASS: 94V-2
 COLOR: NATURAL
 SCREW: M3 TAPPING SCREW

PART NO	A	B	C	D	PACKAGE
H-57	57.8	5.9	2.5	10.0	200
H-65	65.5	5.6	2.6	14.9	
H-105	105	9.9	2.6	14.6	100
H-140	139.5	9.9	2.6	14.6	



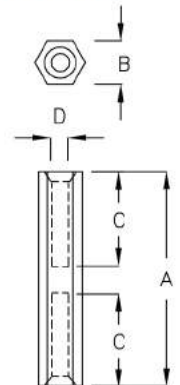
3-140-2



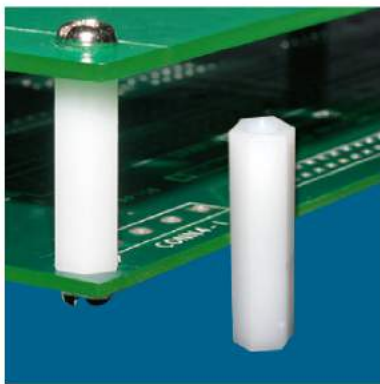
六角型間隔柱 SPACER SUPPORT

MATERIAL: NYLON 66(UL)
 FLAME CLASS: 94V-2
 COLOR: NATURAL
 SCREW: M3 TAPPING SCREW

PART NO	A	B	C	D	PACKAGE
H-32	32.0	5.5	14.0	ø2.6	500
H-49	49.0	5.5	15.0		200



3-140-3

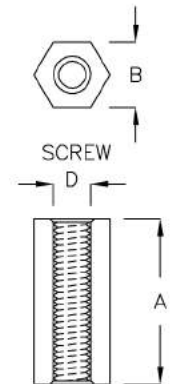


六角型間隔柱 SPACER SUPPORT

MATERIAL: NYLON 66(UL)
 FLAME CLASS: 94V-2
 COLOR: NATURAL
 OPTIONAL MATERIAL:
 POM (94HB FLAMMABILITY)

PART NO	A	B	D	PACKAGE
H2M-6	6.0	4.9	M2.6	1000
H-5KC	5.0	5.4	M3	2000
H-6	6.35	5.5	M3	1000
H-7	7.0	5.5		
H-8	8.0	5.5		
H-9	9.0	5.5		
H-10S	10.0	5.5		
H-10	10.5	5.5		
H-11	11.0	5.5		
H-12	12.0	5.5		
H-13	12.8	5.5		
H-14	14.0	5.5		

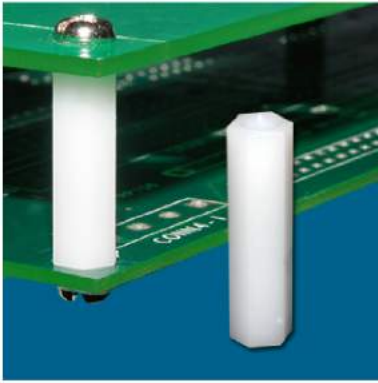
PART NO	A	B	D	PACKAGE
H-15	15.0	5.5	M3	1000
H-16	16.0	5.5		
H-17	17.0	5.5		
H-18	18.2	5.5		
H-20	20.1	5.5		
H-22	22.0	5.5		
H-24	24.0	5.5	M3	500
H-25	25.0	5.5		
H-26	26.3	5.5		
H-28	27.8	5.5		
H-30	30.0	5.5		
H4-36	36.0	8.0		



P.C.板間隔柱SPACER SUPPORT

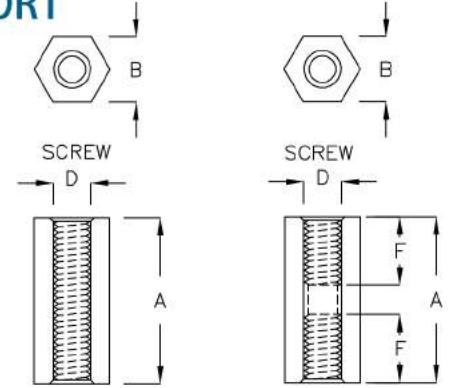
PINGOOD

3-141-1



六角型間隔柱 SPACER SUPPORT

MATERIAL: NYLON 66(UL)
FLAME CLASS: 94V-2
COLOR: NATURAL



FORM . 1

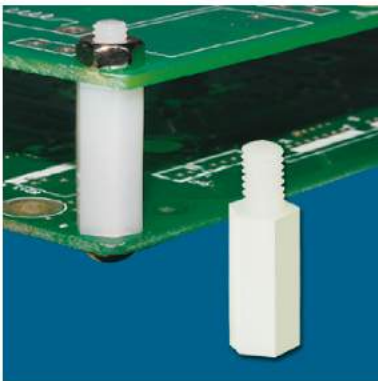
FORM . 2

PART NO	A	B	D	F	FORM	PACKAGE
HU4-406A	6.35	4.75	#4-40	/	1	1000
HU4-409A	9.53	4.75	#4-40	/	1	
HU4-412A	12.7	4.75	#4-40	/	1	
HU4-415A	15.9	4.75	#4-40	6.0	2	
HU4-419A	19.05	4.75	#4-40	8.0	2	
HU4-606C	6.35	6.35	#4-40	/	1	
HU4-609C	9.53	6.35	#4-40	/	1	
HU4-612C	12.7	6.35	#4-40	/	1	
HU4-615C	15.9	6.35	#4-40	6.0	2	
HU4-619C	19.05	6.35	#4-40	8.0	2	
HU4-625C	25.4	6.35	#4-40	8.0	2	

PART NO	A	B	D	F	FORM	PACKAGE
HU6-406D	6.35	4.75	#6-32	/	1	1000
HU6-409D	9.53	4.75	#6-32	/	1	
HU6-412D	12.7	4.75	#6-32	/	1	
HU6-415D	15.9	4.75	#6-32	6.0	2	
HU6-419D	19.05	4.75	#6-32	8.0	2	
HU6-606H	6.35	6.35	#6-32	/	1	
HU6-609H	9.53	6.35	#6-32	/	1	
HU6-612H	12.7	6.35	#6-32	/	1	
HU6-615H	15.9	6.35	#6-32	6.0	2	
HU6-619H	19.05	6.35	#6-32	8.0	2	
HU6-625H	25.4	6.35	#6-32	8.0	2	500

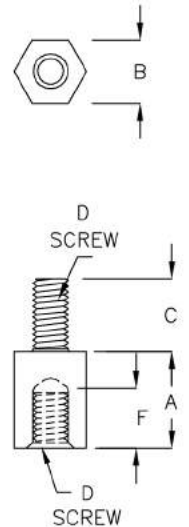
3-141-2

六角型間隔柱 SPACER SUPPORT



MATERIAL: NYLON 66(UL)
FLAME CLASS: 94V-2
COLOR: NATURAL
D: SCREW

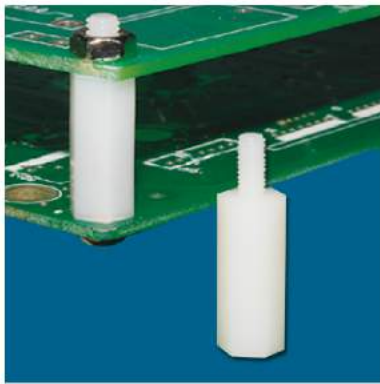
PART NO	A	B	C	D	F	PACKAGE
THU4-406C	6.35	4.75	4.75	#4-40	4.75	1000
THU4-409C	9.53					
THU4-412C	12.7					
THU4-415C	15.9	4.75	4.75	#4-40	4.75	500
THU4-419C	19.05					
THU4-425C	25.4					
THU4-606A	6.35	6.35	4.75	#4-40	4.75	1000
THU4-609A	9.53					
THU4-612A	12.7					
THU4-615A	15.9	6.35	4.75	#4-40	4.75	500
THU4-619A	19.05					
THU4-625A	25.4					
THU6-406H	6.35	4.75	6.35	#6-32	4.75	1000
THU6-409H	9.53					
THU6-412H	12.7					
THU6-415H	15.9	4.75	6.35	#6-32	6.35	500
THU6-419H	19.05					
THU6-425H	25.4					
THU6-606D	6.35	6.35	6.35	#6-32	4.75	1000
THU6-609D	9.53					
THU6-612D	12.7					
THU6-615D	15.9	6.35	6.35	#6-32	6.35	500
THU6-619D	19.05					
THU6-625D	25.4					



P.C.板間隔柱SPACER SUPPORT

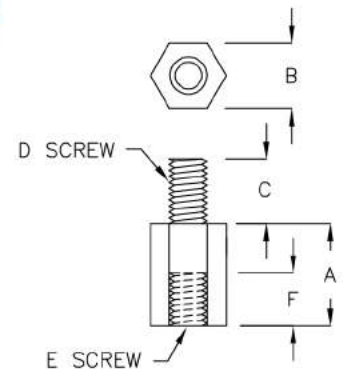
PINGOOD

3-142-1



六角型間隔柱 SPACER SUPPORT

MATERIAL: NYLON 66(UL)
 FLAME CLASS: 94V-2
 COLOR: NATURAL
 D: SCREW
 OPTIONAL MATERIAL:
 POM (94HB FLAMMABILITY)



PART NO	A	B	C	D	E	F	PACKAGE
★ TH2F-6C	6.0	5.0	8.0	M3	M2.5	5.0	1000
TH2M-6	6.0	4.9	5.0	M2.6	M2.6	5.0	
TH-5	5.0	6.0	4.8	M3	M3	4.0	
TH-6	6.35	6.0	4.8				
TH-7	7.0	6.0	6.3	M3	M3	6.0	
TH-8	8.0	6.0	6.3				
TH-9	9.0	6.0	6.0	M3	M3	8.0	
TH-10	10.0	6.0	6.0				
TH-11	11.0	6.0	6.1	M3	M3	10.0	
TH-12	12.7	6.0	6.4				
TH-12A	12.0	4.7	6.4	M3	M3	10.0	
TH-14	14.0	6.0	6.0				
TH-14C	14.0	4.7	4.0	M3	M3	10.0	
TH-15	15.0	6.0	6.0				
TH-16	16.0	6.0	6.1	M3	M3	10.0	

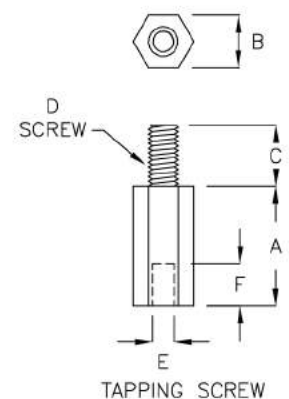
PART NO	A	B	C	D	E	F	PACKAGE
TH-17.5	17.5	6.0	6.0	M3	M3	10.0	1000
TH-17.5A	17.5	4.7	6.0				
TH-18A	18.4	6.0	6.1				
TH-20	20.0	6.0	6.1	M3	M3	10.0	500
TH-21	21.0	6.0	6.0	M3	M3	10.0	1000
TH-22	22.0	6.0	6.4	M3	M3	10.0	500
TH-25	25.0	6.0	6.5				
TH-30	30.0	6.0	6.5	M4	M3	8.0	1000
TH4-10	10.1	6.1	6.1				
TH4-13	13.0	6.0	6.0	M4	M4	10.0	
TH4-15	15.0	6.0	6.0	M4	M4	8.0	500
TH4-19	19.0	8.0	5.5				
TH4-25	25.0	6.0	6.4	M4	M4	10.0	
TH4-30	30.2	6.0	6.4				
TH4-37	37.0	8.0	5.5	M4	M4	8.0	200
TH4-45	45.0	6.0	6.4	M4	M4	10.0	

3-142-2



六角型間隔柱 SPACER SUPPORT

MATERIAL: NYLON 66(UL)
 FLAME CLASS: 94V-2
 COLOR: NATURAL
 SCREW: TAPPING SCREW

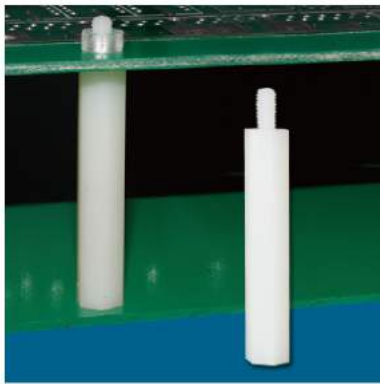


PART NO	A	B	C	D	E	F	PACKAGE
TH2-4	4.0	5.0	2.8	M2	ø1.6	2.8	2000
TH-15A	15.0	5.0	5.0	#6-32	ø2.8	10.0	1000

P.C.板間隔柱SPACER SUPPORT

PINGOOD

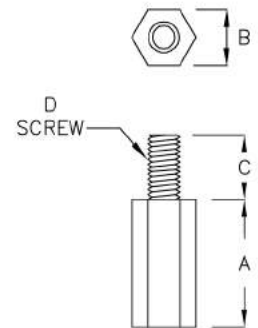
3-143-1



六角型間隔柱 SPACER SUPPORT

MATERIAL: NYLON 66(UL)
FLAME CLASS: 94V-2
COLOR: NATURAL
SCREW: TAPPING SCREW

PART NO	A	B	C	D	PACKAGE
THK-35	34.5	6.0	6.0	M3	1000
THK-36M	36.0	6.0	6.0	M3	
THK-37M	37.0	6.0	6.0	M3	



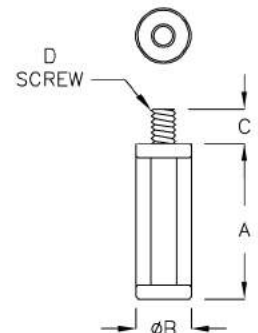
3-143-2



P.C.板間隔柱 SPACER SUPPORT

MATERIAL: NYLON 66(UL)
FLAME CLASS: 94V-2
COLOR: NATURAL

PART NO	A	B	C	D	PACKAGE
THB-29	29.2	8.0	5.0	#6-32	1000



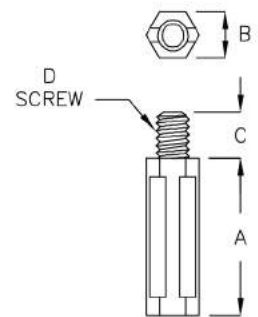
3-143-3



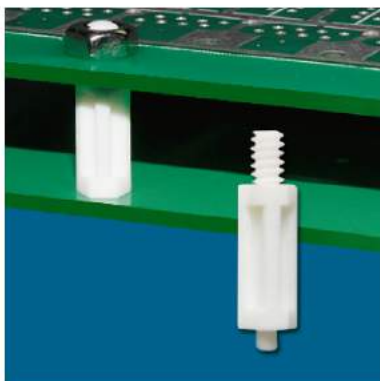
六角型間隔柱 SPACER SUPPORT

MATERIAL: NYLON 66(UL)
FLAME CLASS: 94V-2
COLOR: NATURAL

PART NO	A	B	C	D	PACKAGE
THM-17	17.0	5.0	5.0	#6-32	1000



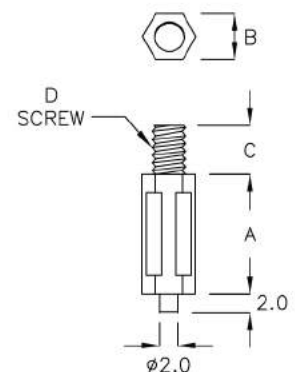
3-143-4



六角型間隔柱 SPACER SUPPORT

MATERIAL: NYLON 66(UL)
FLAME CLASS: 94V-2
COLOR: NATURAL

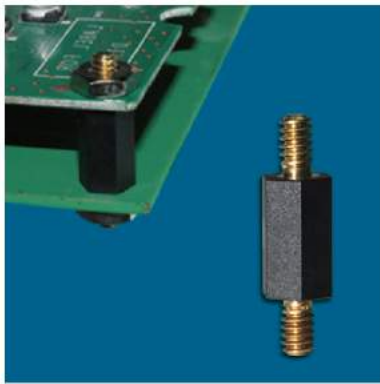
PART NO	A	B	C	D	PACKAGE
THC-13	13.0	5.0	5.0	#6-32	2000



P.C.板間隔柱SPACER SUPPORT

PINGOOD

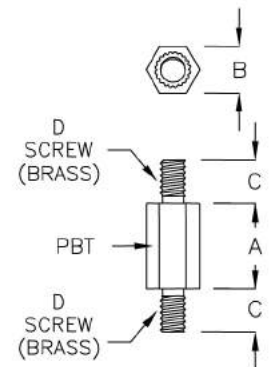
3-144-1



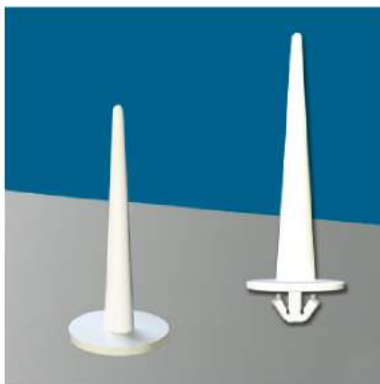
六角型間隔柱 SPACER SUPPORT

MATERIAL: PBT(UL)
FLAME CLASS: 94V-0
COLOR: BLACK
MATERIAL: BRASS

PART NO	A	B	C	D	PACKAGE
THT-6U12	12.0	6.5	6.0	#6-32	500



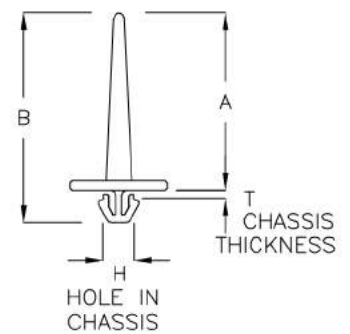
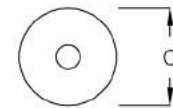
3-144-2



間隔柱 SPACER SUPPORT

MATERIAL: PC
FLAME CLASS: 94V-0
COLOR: WHITE

PART NO	A	B	C	H HOLE IN CHASSIS	T CHASSIS THICKNESS	PACKAGE
CBD-28AP	28.5	32.05	∅10.0	∅3.8	0.6~0.8	500
CBD-28PQ	28.8	32.55	∅10.0	∅3.8	0.9~1.0	
CBD-29M	29.5	33.05	∅10.0	∅3.8	0.6~0.8	
CBD-31MA	31.5	35.05	∅10.0	∅3.8	0.6~0.8	



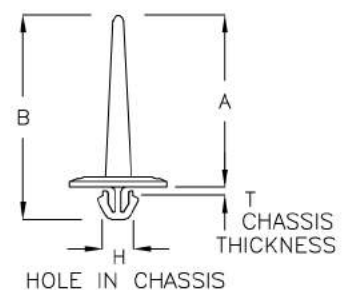
3-144-3



間隔柱 SPACER SUPPORT

MATERIAL: PC
FLAME CLASS: 94V-0
COLOR: WHITE

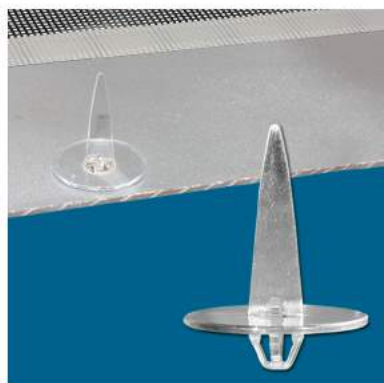
PART NO	A	B	C	H HOLE IN CHASSIS	T CHASSIS THICKNESS	PACKAGE
CBD-25A	25.4	29.8	∅13.3	∅4.5	0.6~0.8	500
CBD-27F	27.2	31.15	∅15.0	∅4.8	0.8~1.0	
CBD-33AC	33.0	36.6	∅13.4	∅4.6	0.5~0.6	
CBD-33P	33.0	36.9	∅13.3	∅4.6	0.5~0.8	



P.C.板間隔柱SPACER SUPPORT

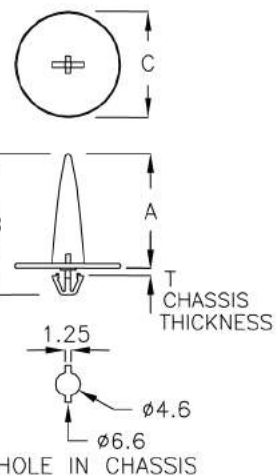
PINGOOD

3-145-1



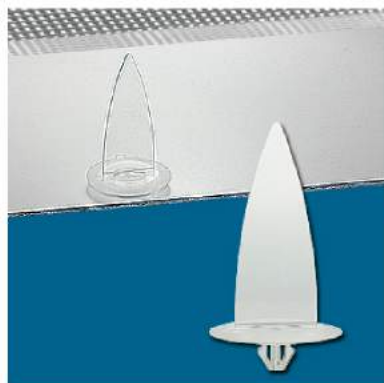
間隔柱 SPACER SUPPORT

MATERIAL: PC
FLAME CLASS: 94V-0
COLOR: CLEAR



PART NO	A	B	C	T CHASSIS THICKNESS	PACKAGE
KFD-21A	21.75	26.65	∅20.0	0.6	500

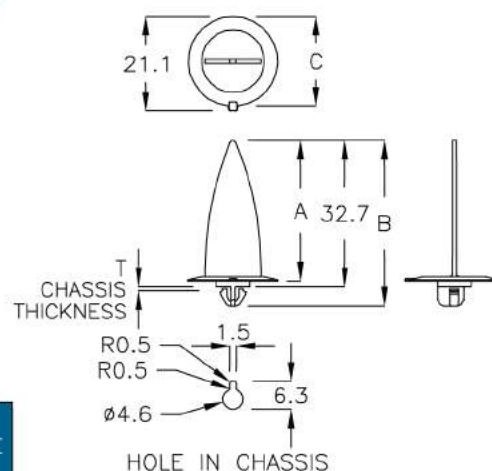
3-145-2



間隔柱 SPACER SUPPORT

MATERIAL: PC
FLAME CLASS: 94V-2
COLOR: CLEAR

NEW



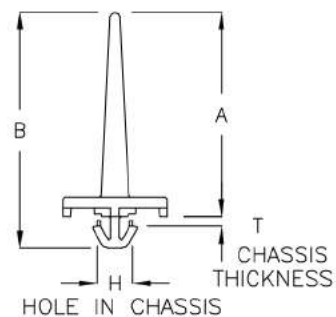
PART NO	A	B	C	T CHASSIS THICKNESS	PACKAGE
★ KFL-31FD	31.4	37.0	∅20.0	0.6~0.8	500

3-145-3



間隔柱 SPACER SUPPORT

MATERIAL: PC
FLAME CLASS: 94V-0
COLOR: WHITE

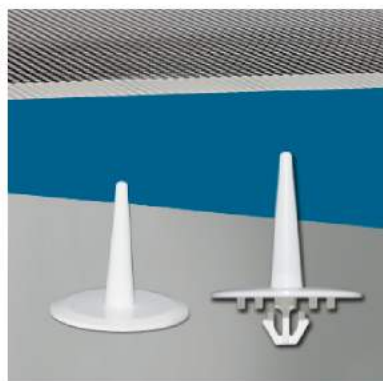


PART NO	A	B	C	H HOLE IN CHASSIS	T CHASSIS THICKNESS	PACKAGE
CBL-42CY	42.6	47.1	∅15.0	∅5.0	1.2~1.3	500

P.C.板間隔柱SPACER SUPPORT

PINGOOD

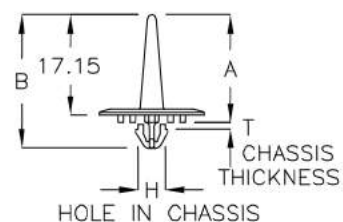
3-146-1



間隔柱 SPACER SUPPORT

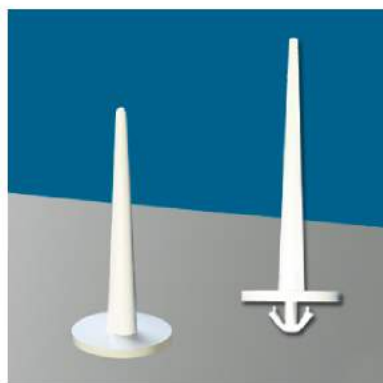
MATERIAL: PC
FLAME CLASS: 94V-0
COLOR: WHITE

NEW



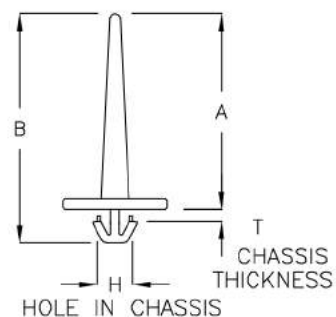
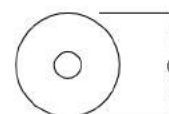
PART NO	A	B	C	H HOLE IN CHASSIS	T CHASSIS THICKNESS	PACKAGE
★ CBLA-18JL	18.5	22.8	∅18.0	∅4.6	0.8	500

3-146-2



間隔柱 SPACER SUPPORT

MATERIAL: PC
FLAME CLASS: 94V-0
COLOR: WHITE



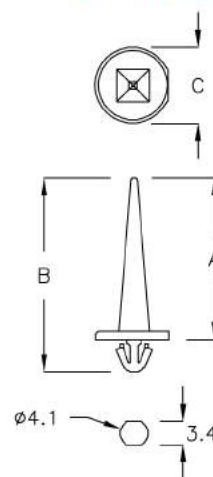
PART NO	A	B	C	H HOLE IN CHASSIS	T CHASSIS THICKNESS	PACKAGE
CBL-42MK	40.0	44.1	∅15.0	∅5.2	1.2~1.3	500

3-146-3



間隔柱 SPACER SUPPORT

PART NO	MATERIAL	COLOR	A	B	C	PACKAGE
FXA-30Y	PC V0	WHITE	30.5	35.1	∅11.0	500
FXA-35PC	PC V2	CLEAR	35.8	40.4	∅11.0	
FXA-39A	PC V2	CLEAR	39.4	44.0	∅11.0	



HOLE IN CHASSIS
CHASSIS THICKNESS: 1.0mm

P.C.板間隔柱SPACER SUPPORT

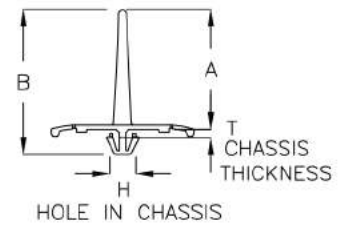
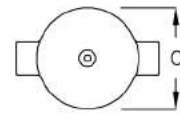
PINGOOD

3-147-1



間隔柱 SPACER SUPPORT

MATERIAL: PC
FLAME CLASS: 94V-0
COLOR: WHITE



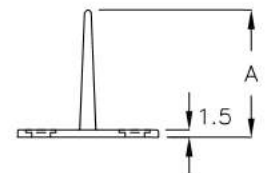
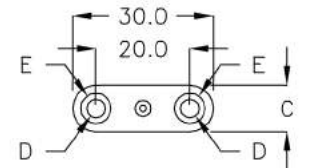
PART NO	A	B	C	H HOLE IN CHASSIS	T CHASSIS THICKNESS	PACKAGE
SUP-23A	24.0	28.9	∅20.0	∅5.0	0.6~0.8	500
SUP-34D	34.0	38.9	∅20.0	∅5.0	0.6~0.8	

3-147-2



間隔柱 SPACER SUPPORT

MATERIAL: PC
FLAME CLASS: 94V-0
COLOR: WHITE



PART NO	A	C	D	E	PACKAGE
FJW-18PQ	18.8	10.0	∅4.0	∅6.5	500
FJW-25T	25.2	10.0	∅4.0	∅6.5	
FJW-27AK	27.2	10.0	∅4.0	∅6.5	
FJW-27HM	27.2	10.0	∅4.3	∅8.5	

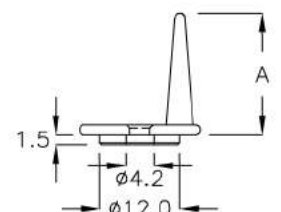
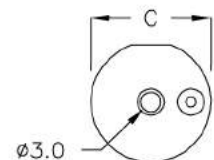
3-147-3



間隔柱 SPACER SUPPORT

MATERIAL: PC
FLAME CLASS: 94V-0
COLOR: WHITE

NEW

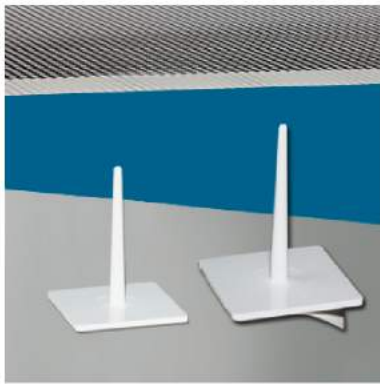


PART NO	A	C	PACKAGE
★ CBPA-18C	18.2	∅18.0	200

P.C.板間隔柱SPACER SUPPORT

PINGOOD

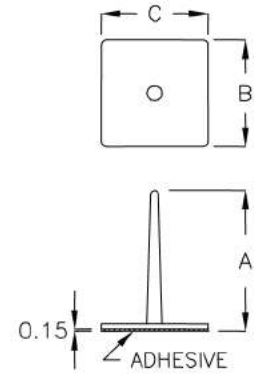
3-148-1



間隔柱 SPACER SUPPORT

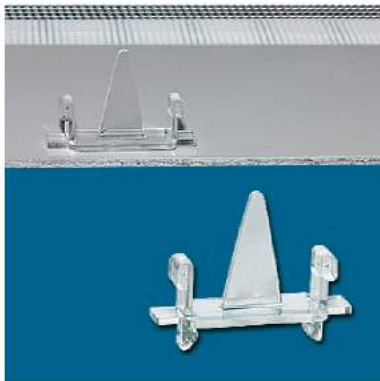
MATERIAL: PC
FLAME CLASS: 94V-0
COLOR: WHITE

NEW



PART NO	A	B	C	PACKAGE
★ FZA-26FD	26.15	20.0	20.0	500

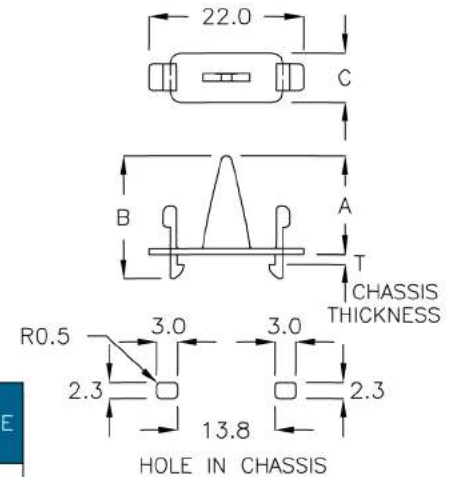
3-148-2



間隔柱 SPACER SUPPORT

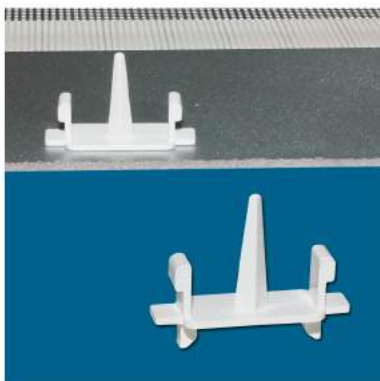
MATERIAL: PC
FLAME CLASS: 94V-2
COLOR: CLEAR

NEW



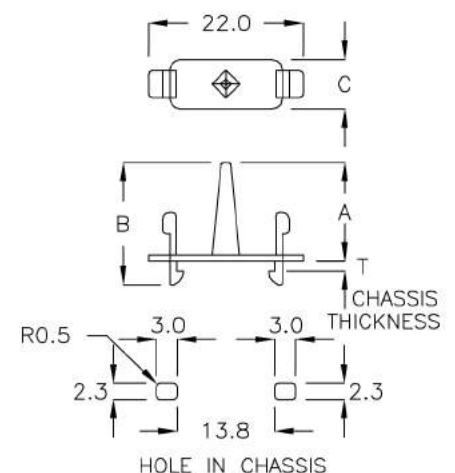
PART NO	A	B	C	T CHASSIS THICKNESS	PACKAGE
★ DCRJ-14MK	14.0	17.4	7.0	1.2	500

3-148-3



間隔柱 SPACER SUPPORT

MATERIAL: PC
FLAME CLASS: 94V-0
COLOR: WHITE

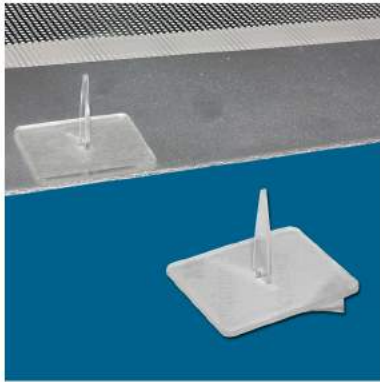


PART NO	A	B	C	T CHASSIS THICKNESS	PACKAGE
DCR-14H	14.0	17.4	7.0	1.0~1.2	500

P.C.板間隔柱SPACER SUPPORT

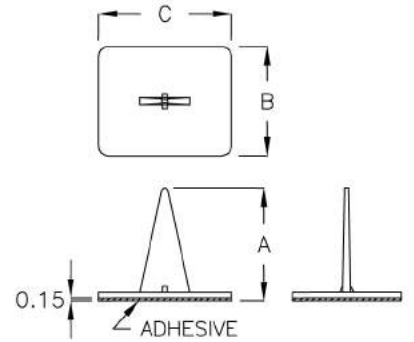
PINGOOD

3-149-1



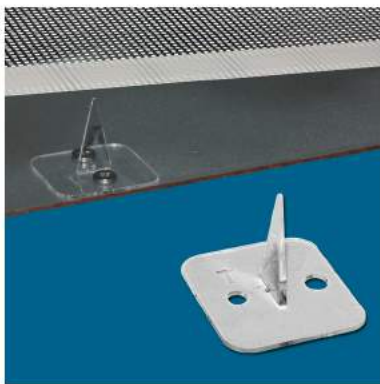
間隔柱 SPACER SUPPORT

MATERIAL: PC
COLOR: CLEAR
ADHESIVE TYPE: 3M



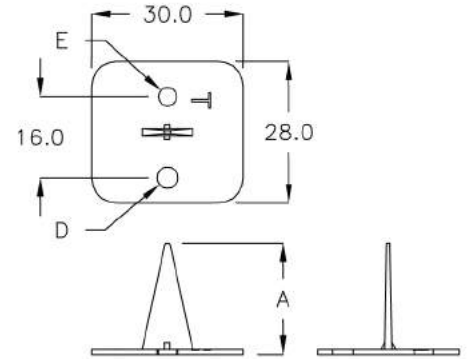
PART NO	A	B	C	FLAME CLASS	PACKAGE
FJH-19KT	19.9	22.0	27.0	94V-2	500
FJH-20MA	20.7	30.0	25.0	94V-0	
★ FJH-21DP	21.65	20.0	20.0	94V-2	
★ FJH-21GK	21.65	22.0	27.0	94V-2	
FJH-21MD	21.65	22.0	27.0	94V-2	

3-149-2



間隔柱 SPACER SUPPORT

MATERIAL: PC
FLAME CLASS: 94V-2
COLOR: CLEAR

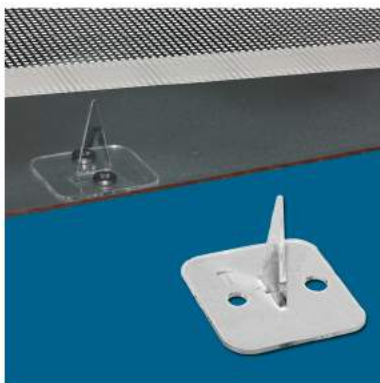


此產品亦可貼背膠

OPTIONAL WITH ADHESIVE TAPE
ON BASE OF WIRE CLAMP

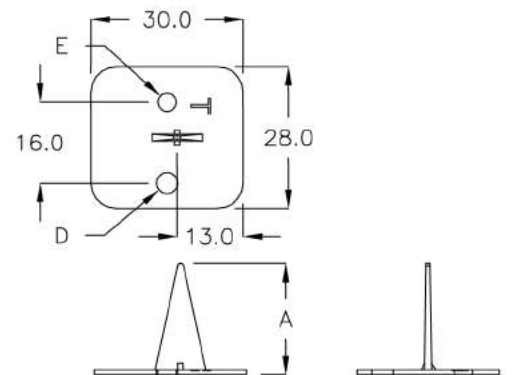
PART NO	A	D	E	PACKAGE
FMY-22C	22.0	∅4.2	∅3.7	500

3-149-3



間隔柱 SPACER SUPPORT

MATERIAL: PC
FLAME CLASS: 94V-2
COLOR: CLEAR



此產品亦可貼背膠

OPTIONAL WITH ADHESIVE TAPE
ON BASE OF WIRE CLAMP

PART NO	A	D	E	PACKAGE
★ FMY-21TC	21.5	∅4.2	∅3.7	200
FMY-22KP	22.0	∅4.2	∅3.7	

P.C.板間隔柱SPACER SUPPORT

PINGOOD

3-150-1

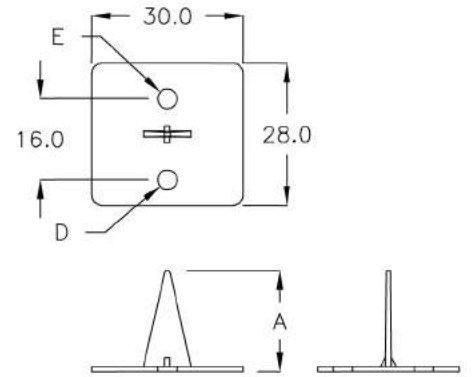


間隔柱 SPACER SUPPORT

MATERIAL: PC
FLAME CLASS: 94V-2
COLOR: CLEAR

此產品亦可貼背膠

OPTIONAL WITH ADHESIVE TAPE
ON BASE OF WIRE CLAMP



PART NO	A	D	E	PACKAGE
FMG-19LH	19.9	∅5.5	∅3.9	500

3-150-2

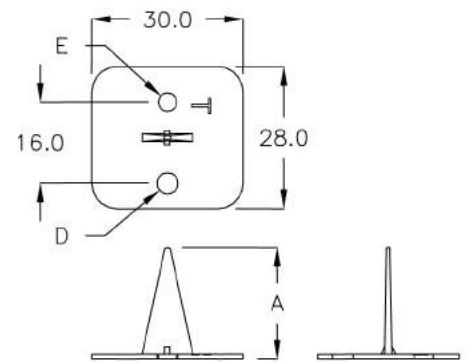


間隔柱 SPACER SUPPORT

MATERIAL: PC
FLAME CLASS: 94V-2
COLOR: CLEAR

此產品亦可貼背膠

OPTIONAL WITH ADHESIVE TAPE
ON BASE OF WIRE CLAMP



PART NO	A	D	E	PACKAGE
FMQ-21MC	21.5	∅4.2	∅3.5	500

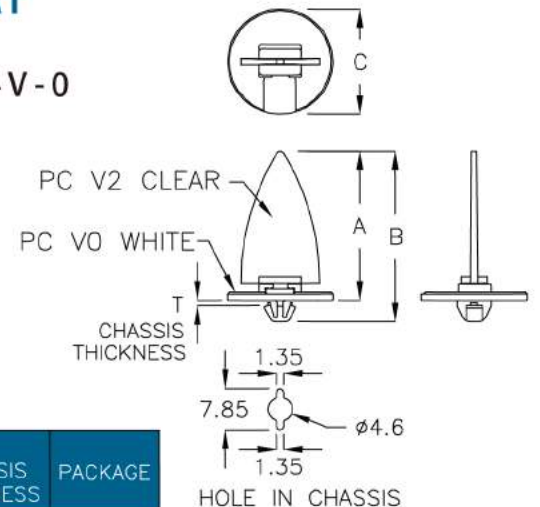
3-150-3



間隔柱 SPACER SUPPORT

MATERIAL: PC
FLAME CLASS: 94V-2, 94V-0
COLOR: CLEAR, WHITE

NEW



PART NO	A	B	C	T CHASSIS THICKNESS	PACKAGE
★ KFDX-28M	28.3	32.4	∅20.0	0.8	500

4



LED套
LED HOLDER



LED座
LED HOUSING

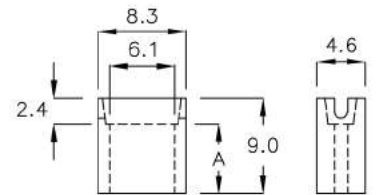
4-2-1



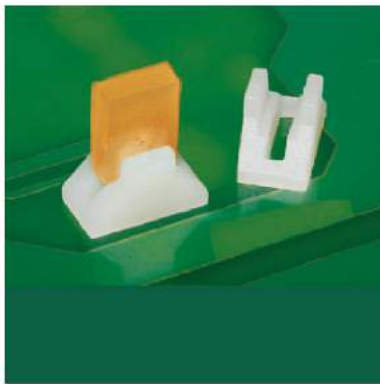
LED套 LED HOLDER

MATERIAL: NYLON 66(UL)
FLAME CLASS: 94V-2
COLOR: NATURAL

FOR QUADRATE 2PIN LED		
PART NO	A	PACKAGE
LEQ-9	6.6	2000



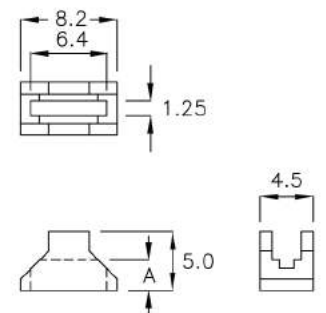
4-2-2



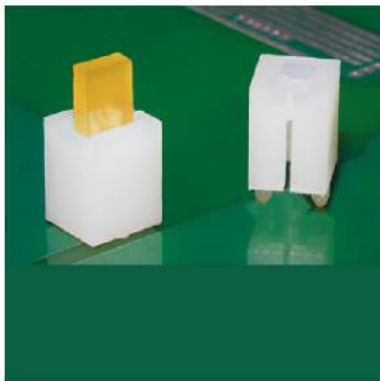
LED套 LED HOLDER

MATERIAL: NYLON 66(UL)
FLAME CLASS: 94V-2
COLOR: NATURAL

FOR QUADRATE 2PIN LED		
PART NO	A	PACKAGE
LEQ-1	2.6	2000



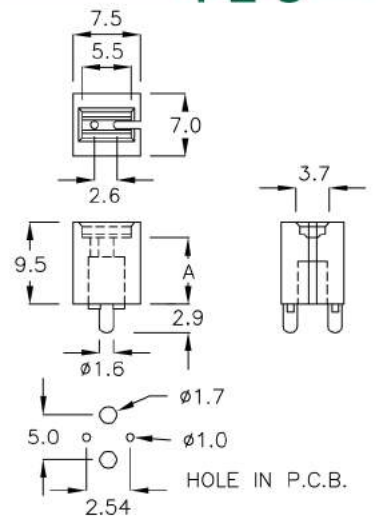
4-2-3



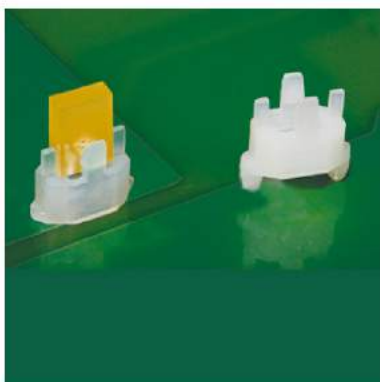
LED套 LED HOLDER

MATERIAL: NYLON 66(UL)
FLAME CLASS: 94V-2
COLOR: NATURAL

FOR QUADRATE 2PIN LED		
PART NO	A	PACKAGE
LED-2x10	7.8	1000



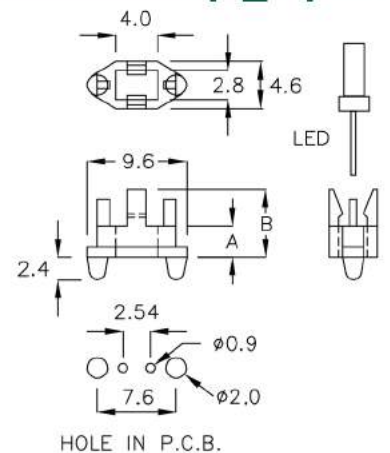
4-2-4



LED套 LED HOLDER

MATERIAL: NYLON 66(UL)
FLAME CLASS: 94V-2
COLOR: NATURAL

FOR QUADRATE 2PIN LED			
PART NO	A	B	PACKAGE
LEQ-3T	3.0	6.5	2000
LEQ-4T	4.0	7.5	



LED套, LED座 LED HOLDER, LED HOUSING

PINGOOD

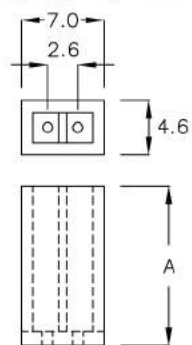
4-3-1



LED套 LED HOLDER

MATERIAL: NYLON 66(UL)
FLAME CLASS: 94V-2
COLOR: NATURAL

FOR QUADRATE 2PIN LED		
PART NO	A	PACKAGE
LED-13.5	13.5	1000



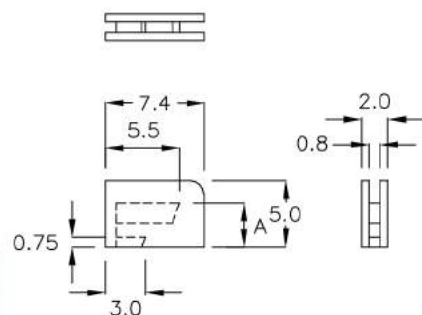
4-3-2



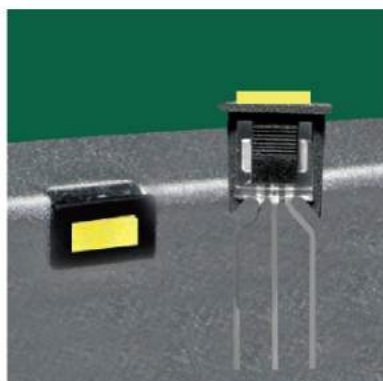
LED套 LED HOLDER

MATERIAL: NYLON 66(UL)
FLAME CLASS: 94V-2
COLOR: BLACK

FOR QUADRATE 2PIN LED		
PART NO	A	PACKAGE
LEJ-3	3.3	2000



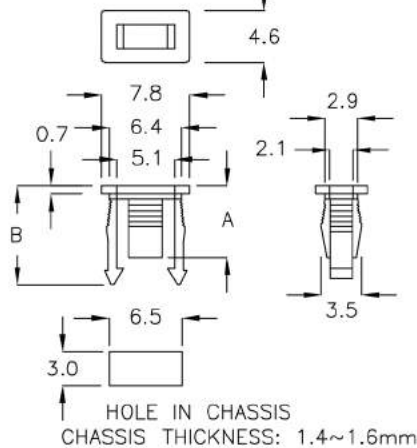
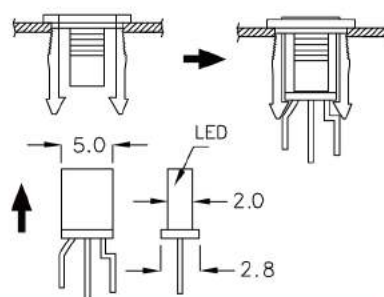
4-3-3



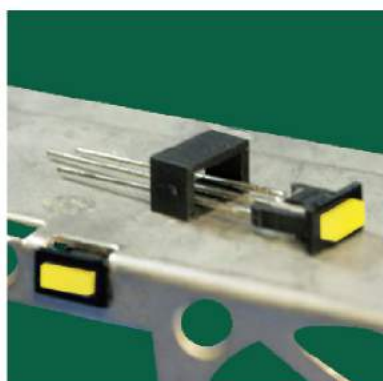
LED座 LED HOUSING

MATERIAL: NYLON 66(UL)
FLAME CLASS: 94V-2
COLOR: BLACK

FOR QUADRATE 2PIN ,3PIN LED			
PART NO	A	B	PACKAGE
SLED-1	5.2	7.6	2000
SLED-2M	6.2	8.6	



4-3-4

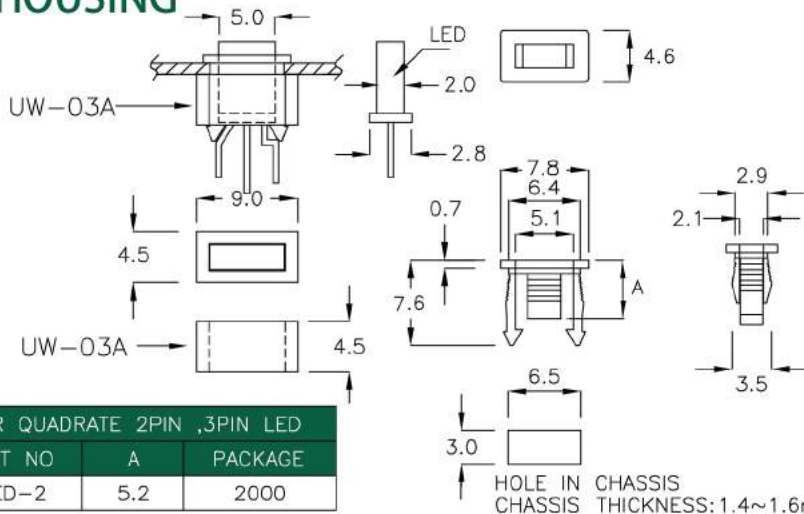


LED座 LED HOUSING

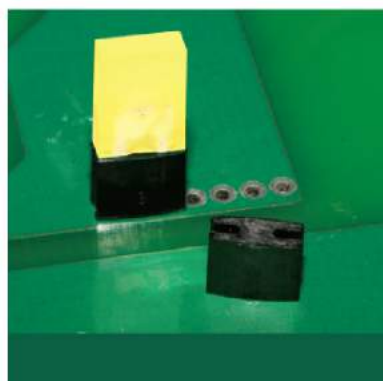
MATERIAL: NYLON 66(UL)
FLAME CLASS: 94V-2
COLOR: BLACK

SLED-2 ALSO CAN BE USED WITH UW-03A

FOR QUADRATE 2PIN ,3PIN LED		
PART NO	A	PACKAGE
SLED-2	5.2	2000



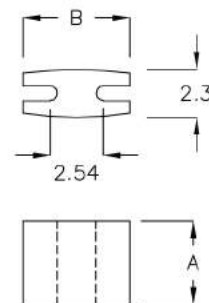
4-4-1



LED 套 LED HOLDER

MATERIAL: NYLON 66(UL)
FLAME CLASS: 94V-2
COLOR: BLACK

FOR QUADRATE 2PIN LED			
PART NO	A	B	PACKAGE
EDH-04	4.0	5.1	2000
EDH-4A	4.5	5.1	



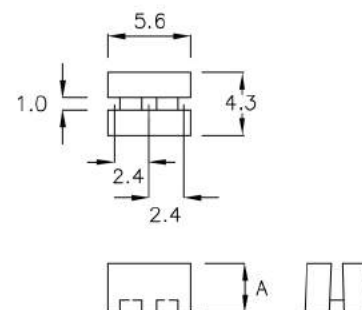
4-4-2



LED 套 LED HOLDER

MATERIAL: NYLON 66(UL)
FLAME CLASS: 94V-2
COLOR: NATURAL

FOR QUADRATE 3PIN LED		
PART NO	A	PACKAGE
LED-3x3	3.2	2000
LED3x4	4.0	



4-4-3

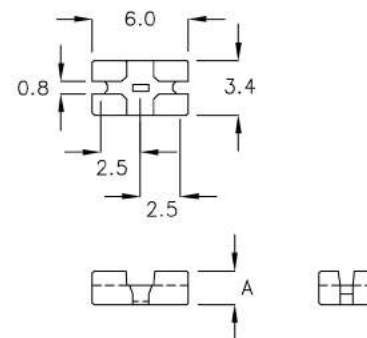


LED 套 LED HOLDER

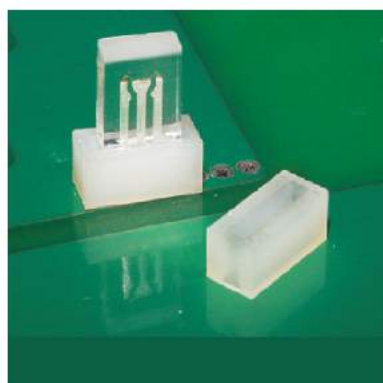
MATERIAL: NYLON 66(UL)
FLAME CLASS: 94V-2
COLOR: BLACK

Build-in Clamp Function

FOR QUADRATE 3PIN LED		
PART NO	A	PACKAGE
LED-3x2KQ	2.1	2000



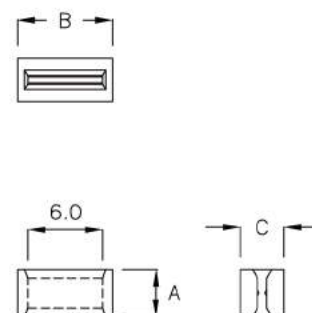
4-4-4



LED 套 LED HOLDER

MATERIAL: NYLON 66(UL)
FLAME CLASS: 94V-2
COLOR: NATURAL

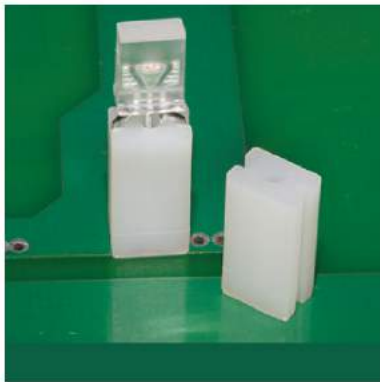
FOR QUADRATE 3PIN LED				
PART NO	A	B	C	PACKAGE
QLG-4S	3.8	7.6	3.5	2000



LED 套, LED 座 LED HOLDER, LED HOUSING

PINGOOD

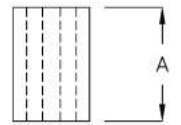
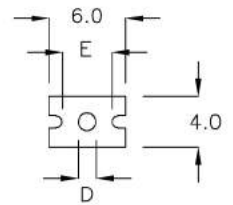
4-5-1



LED 套 LED HOLDER

MATERIAL: NYLON 66(UL)
FLAME CLASS: 94V-2
COLOR: NATURAL

FOR QUADRATE 3PIN LED				
PART NO	A	D	E	PACKAGE
QLE-1MH	1.5	∅1.4	3.7	2000
QLE-12C	12.0	∅1.45	3.9	1000



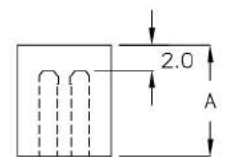
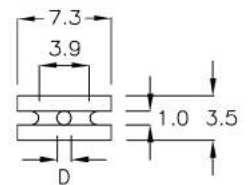
4-5-2



LED 套 LED HOLDER

MATERIAL: NYLON 66(UL)
FLAME CLASS: 94V-2
COLOR: NATURAL

FOR QUADRATE 3PIN LED			
PART NO	A	D	PACKAGE
QLE-3	3.0	∅1.1	2000
QLE-4B	3.8		
QLE-5B	5.1		
QLE-5M	5.5		
QLE-7B	7.0		
QLE-8B	8.0	∅1.1	1000
QLE-10	10.0		
QLE-12	12.0		



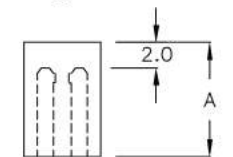
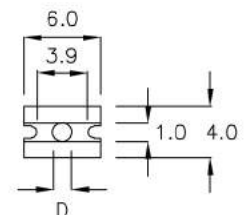
4-5-3



LED 套 LED HOLDER

MATERIAL: NYLON 66(UL)
FLAME CLASS: 94V-2
COLOR: NATURAL

FOR QUADRATE 3PIN LED			
PART NO	A	D	PACKAGE
QLE-4	4.0	∅1.1	2000
QLE-5	5.0		
QLE-6	6.0		
QLE-7	7.0		
QLE-8	8.0	∅1.1	1000
QLE-9	9.0		
QLE-10A	10.0	∅1.45	
QLE-11	11.0		
QLE-12A	12.0	∅1.1	
QLE-13	13.0		
QLE-14	14.0		
QLE-15	15.0		



4-5-4

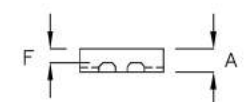
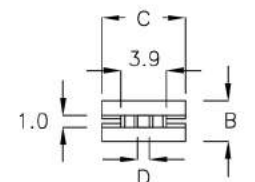


LED 套 LED HOLDER

MATERIAL: NYLON 66(UL)
FLAME CLASS: 94V-2
COLOR: NATURAL

Build-in Clamp Function

FOR QUADRATE 3PIN LED						
PART NO	A	B	C	D	F	PACKAGE
QLE-02	2.0	3.5	7.3	1.0	1.2	2000
QLE-3HA	3.0	3.0	6.5	1.0	2.2	

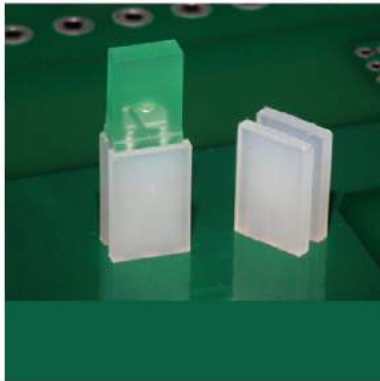


LED套, LED座 LED HOLDER, LED HOUSING

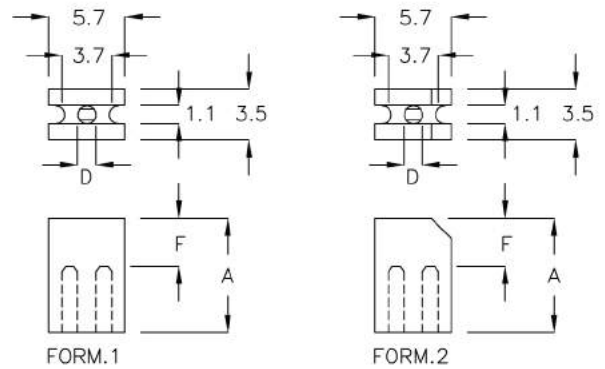
PINGOOD

4-6-1

LED套 LED HOLDER



MATERIAL: NYLON 66(UL)
FLAME CLASS: 94V-2
COLOR: NATURAL

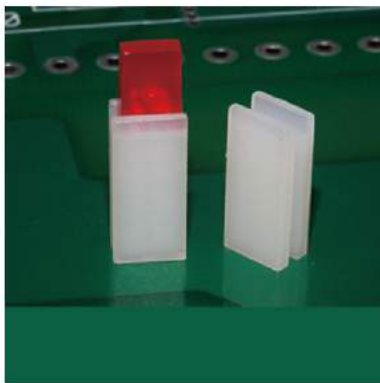


Build-in Clamp Function

FOR QUADRATE 3PIN LED					
PART NO	A	F	D	FORM	PACKAGE
QLE-8LR	8.5	3.5	∅1.1	FORM.2	1000
QLE-9AK	9.0	4.0	∅1.1	FORM.1	

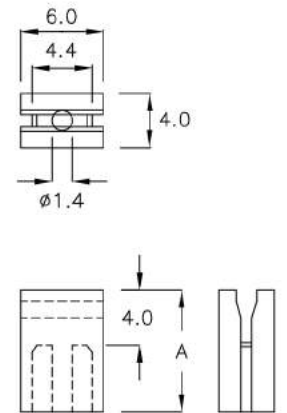
4-6-2

LED套 LED HOLDER



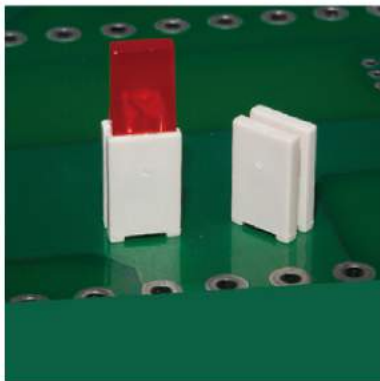
MATERIAL: NYLON 66(UL)
FLAME CLASS: 94V-2
COLOR: NATURAL

FOR QUADRATE 3PIN LED		
PART NO	A	PACKAGE
QLK-5M	5.4	2000
QLK-6	6.0	
QLK-7	6.9	
QLK-8	8.0	
QLK-9	9.0	1000
QLK-10	10.0	
QLK-11	11.0	
QLK-12	12.0	
QLK-13	13.0	
QLK-14	14.0	
QLK-15	14.9	
QLK-16	15.9	
QLK-17	17.0	
QLK-18	18.0	
QLK-18A	18.5	
QLK-19	19.0	



4-6-3

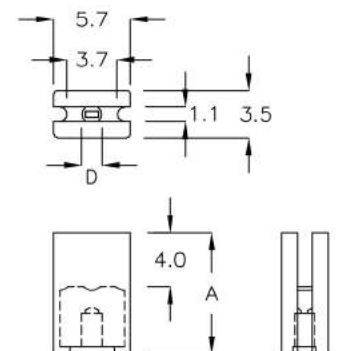
LED套 LED HOLDER



MATERIAL: NYLON 46(UL)
FLAME CLASS: 94V-0
COLOR: NATURAL

Build-in Clamp Function

FOR QUADRATE LED 3PIN			
PART NO	A	D	PACKAGE
QLB-9NC	9.0	∅1.1	1000



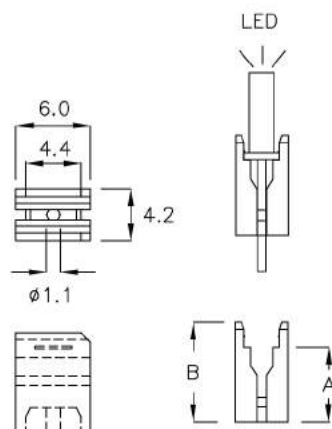
4-7-1



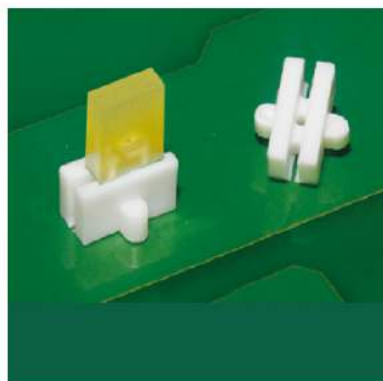
LED套 LED HOLDER

MATERIAL: NYLON 66(UL)
FLAME CLASS: 94V-2
COLOR: NATURAL

FOR QUADRATE 3PIN LED			
PART NO	A	B	PACKAGE
QLQ-6	6.0	8.0	2000

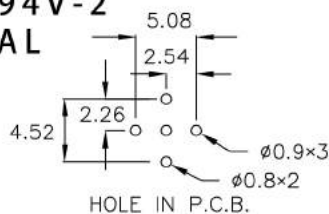


4-7-2



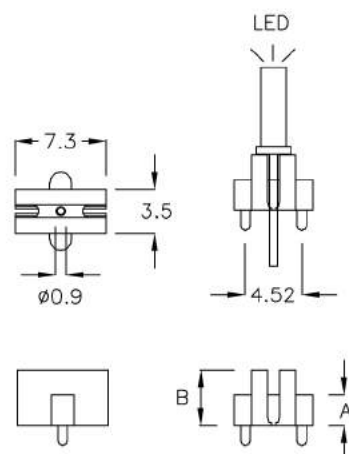
LED套 LED HOLDER

MATERIAL: NYLON 66(UL)
FLAME CLASS: 94V-2
COLOR: NATURAL



Build-in Clamp Function

FOR QUADRATE 3PIN LED			
PART NO	A	B	PACKAGE
QLK-4T	2.5	4.5	2000



4-7-3

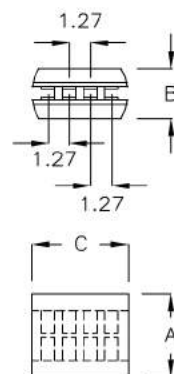


LED套 LED HOLDER

MATERIAL: NYLON 66(UL)
FLAME CLASS: 94V-2
COLOR: NATURAL, BLACK

Build-in Clamp Function

FOR $\phi 5$ 4PIN LED				
PART NO	A	B	C	PACKAGE
EDE-3A	3.5	3.0	5.8	2000
EDE-04	4.0	3.0	5.8	
EDE-4A	4.5	3.0	5.8	
EDE-05	5.0	3.0	5.8	
EDE-5A	5.5	3.0	5.8	
EDE-06	6.0	3.0	5.8	
EDE-6A	6.5	3.0	5.8	
EDE-07	7.0	3.0	5.8	
EDE-7A	7.5	3.0	5.8	
EDE-08	8.0	3.0	5.8	
EDE-8A	8.5	3.0	5.8	
EDE-09	9.0	3.0	5.8	
EDE-15	15.0	3.0	5.8	



LED套, LED座 LED HOLDER, LED HOUSING

PINGOOD

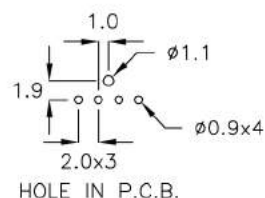
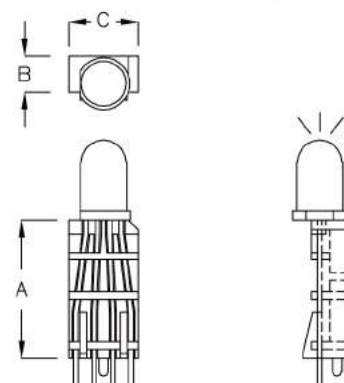
4-8-1



LED套 LED HOLDER

MATERIAL: NYLON 66(UL)
FLAME CLASS: 94V-0
COLOR: NATURAL

FOR $\phi 5$ 4PIN LED				
PART NO	A	B	C	PACKAGE
EES-15	15.0	3.9	7.5	2000



4-8-2

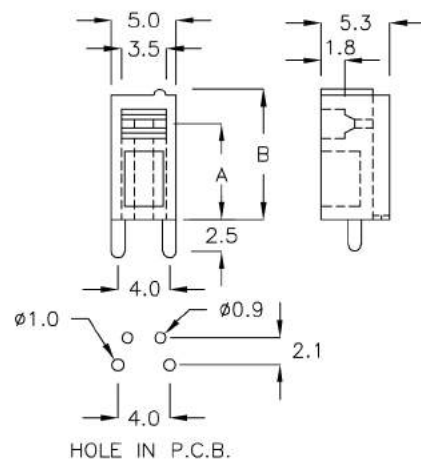


LED座 LED HOUSING

MATERIAL: NYLON 66(UL)
FLAME CLASS: 94V-2
COLOR: NATURAL, BLACK

Build-in Clamp Function

FOR QUADRATE 2PIN LED			
PART NO	A	B	PACKAGE
EDF-09	9.0	11.7	1000



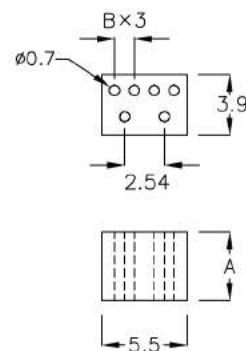
4-8-3



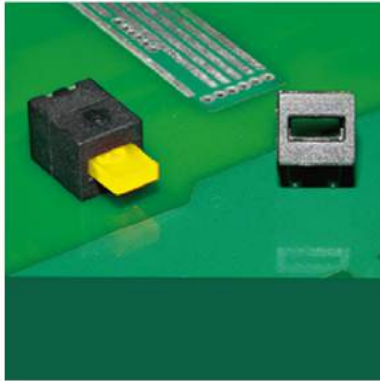
LED座 LED HOUSING

MATERIAL: NYLON 66(UL)
FLAME CLASS: 94V-2
COLOR: NATURAL, BLACK

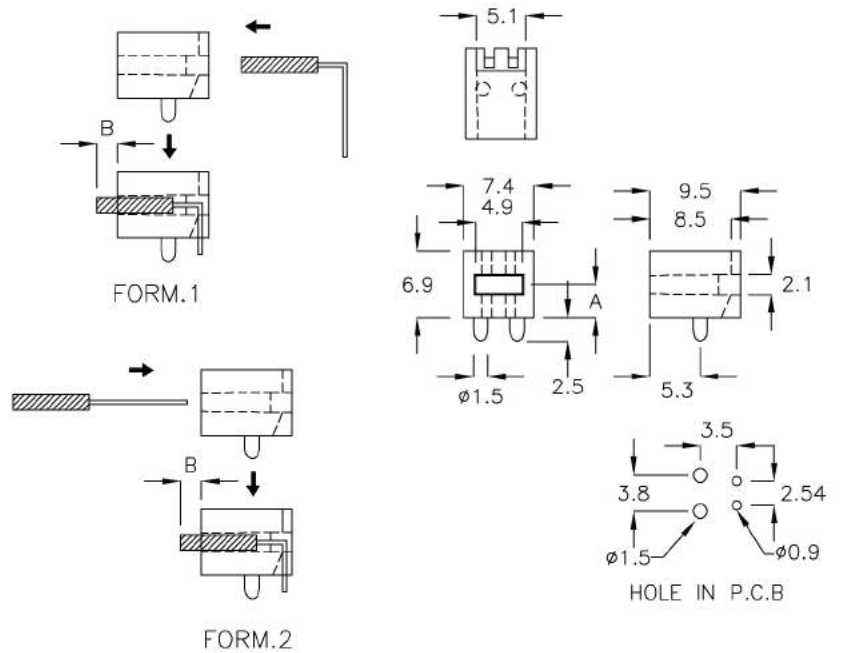
FOR QUADRATE 2PIN LED			
PART NO	A	B	PACKAGE
EKL-01	4.4	1.27	1000



LED 座 LED HOUSING

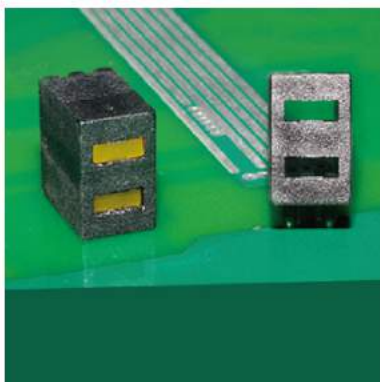


MATERIAL: NYLON 66(UL)
FLAME CLASS: 94V-2
COLOR: BLACK

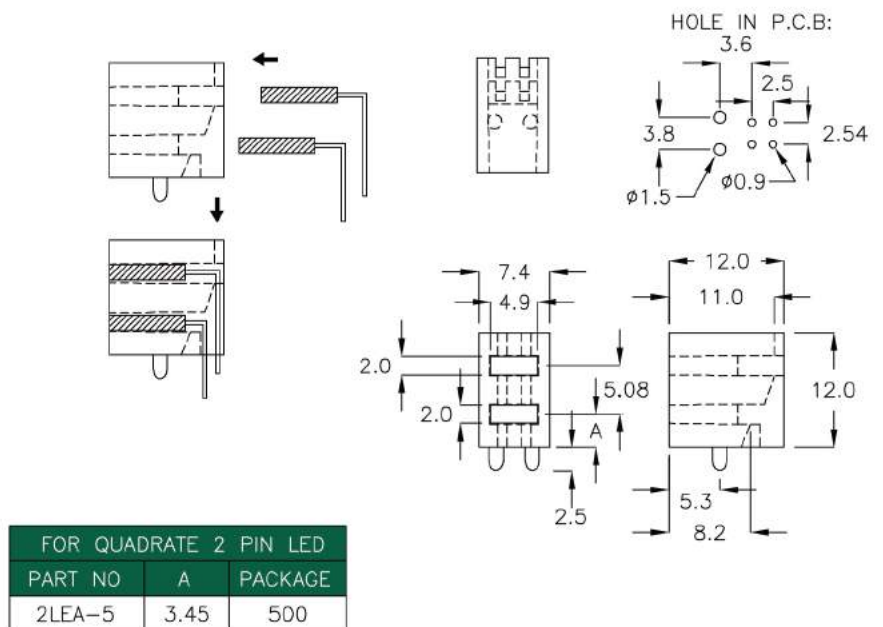


FOR QUADRATE 2PIN LED				
PART NO	A	B	FORM	PACKAGE
LEA-5	3.45	0	1	500
LEA-5A	3.45	4.3	2	
LEA-5C	3.45	2.8	2	

LED 座 LED HOUSING



MATERIAL: NYLON 66(UL)
FLAME CLASS: 94V-2
COLOR: BLACK



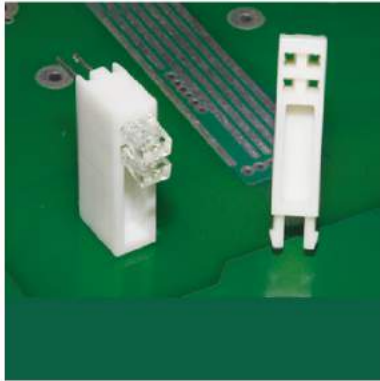
FOR QUADRATE 2 PIN LED		
PART NO	A	PACKAGE
2LEA-5	3.45	500

LED 套, LED 座 LED HOLDER, LED HOUSING

PINGOOD

4-10-1

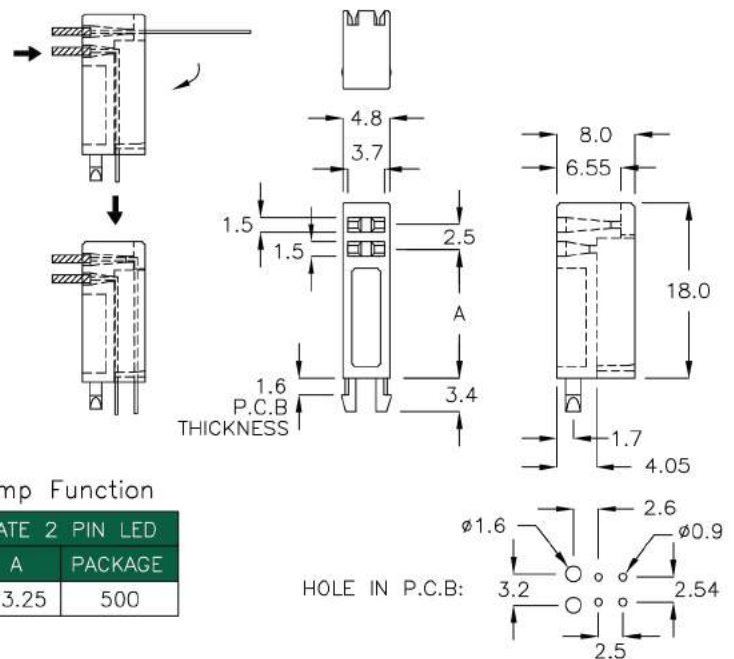
LED 座 LED HOUSING



MATERIAL: NYLON 66(UL)
FLAME CLASS: 94V-2
COLOR: NATURAL

Build-in Clamp Function

FOR QUADRATE 2 PIN LED			
PART NO	A	PACKAGE	
2LEA-3AK	13.25	500	



4-10-2

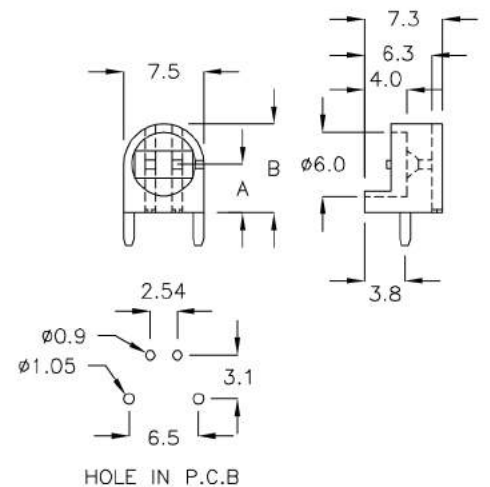
LED 座 LED HOUSING



MATERIAL: NYLON 66(UL)
FLAME CLASS: 94V-2
COLOR: BLACK

Build-in Clamp Function

FOR ø5 2PIN LED			
PART NO	A	B	PACKAGE
EDR-4A	4.5	8.2	1000



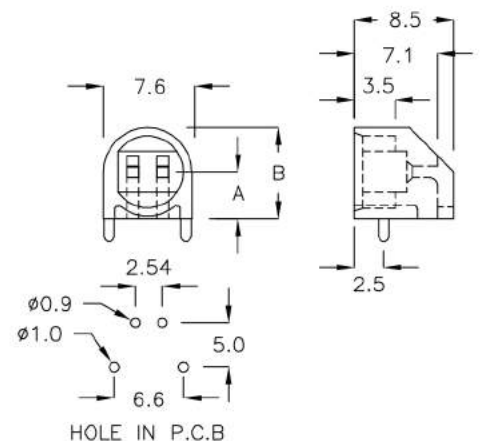
4-10-3

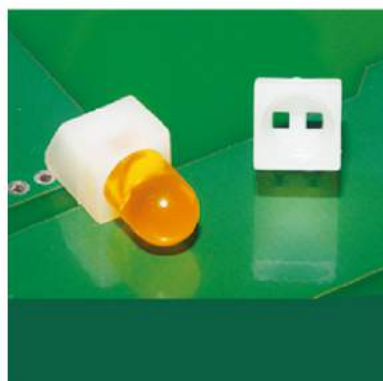
LED 座 LED HOUSING



MATERIAL: NYLON 66(UL)
FLAME CLASS: 94V-2
COLOR: BLACK

FOR ø5 2PIN LED			
PART NO	A	B	PACKAGE
EEL-4TQ	4.0	7.8	1000



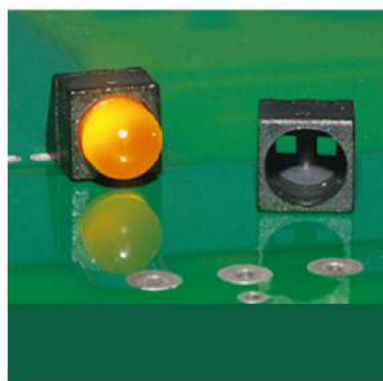
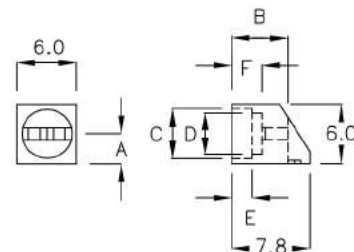


LED座 LED HOUSING

MATERIAL: NYLON 66(UL)
FLAME CLASS: 94V-2
COLOR: NATURAL, BLACK

Built-in Clamp Function

FOR $\phi 5$, $\phi 3$ 2PIN LED							
PART NO	A	B	C	D	E	F	PACKAGE
LED-2F	3.0	5.6	$\phi 5.0$	$\phi 4.1$	2.0	3.5	1000

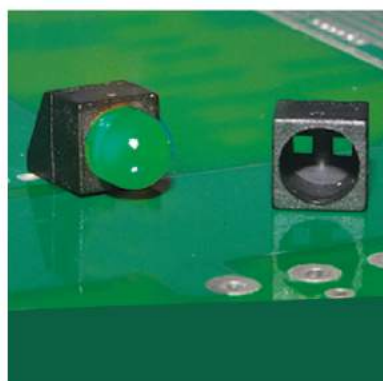
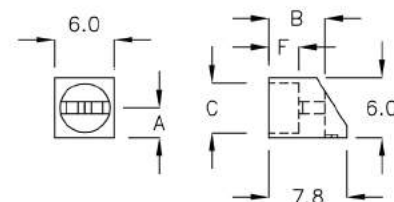


LED座 LED HOUSING

MATERIAL: NYLON 66(UL)
FLAME CLASS: 94V-2
COLOR: BLACK

Built-in Clamp Function

FOR $\phi 5$ 2PIN LED					
PART NO	A	B	C	F	PACKAGE
LED-3F	3.0	4.8	$\phi 5.0$	4.2	1000

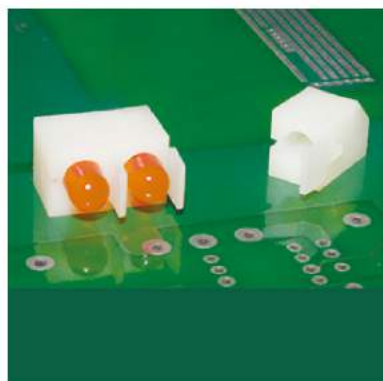
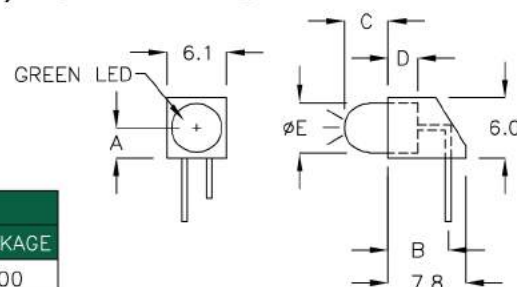


LED座 LED HOUSING

MATERIAL: NYLON 66(UL)+GREEN LED
FLAME CLASS: 94V-2
COLOR: BLACK

Built-in Clamp Function

FOR $\phi 5$ 2 PIN LED						
PART NO	A	B	C	D	E	PACKAGE
LED-3F-G	3.0	5.6	3.5	4.2	4.9	500

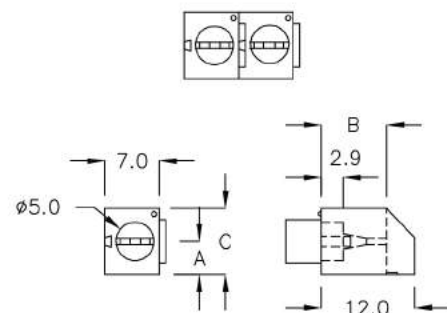


LED座 LED HOUSING

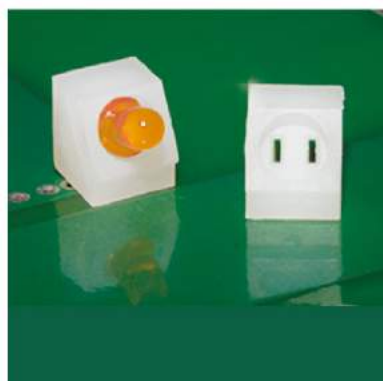
MATERIAL: NYLON 66(UL)
FLAME CLASS: 94V-2
COLOR: NATURAL

Built-in Clamp Function

FOR $\phi 5$ 2PIN LED				
PART NO	A	B	C	PACKAGE
LED-5F	4.3	8.4	8.6	1000



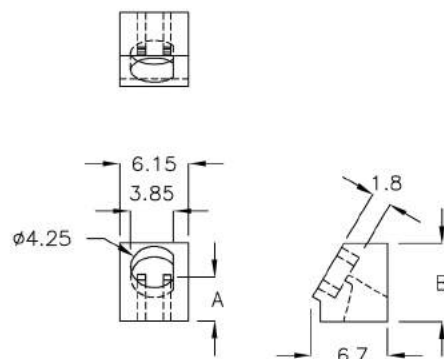
4-12-1



LED 座 LED HOUSING

MATERIAL: NYLON 66(UL)
FLAME CLASS: 94V-2
COLOR: NATURAL

FOR $\phi 3$ 2PIN LED			
PART NO	A	B	PACKAGE
QLC-3F	3.9	7.0	2000



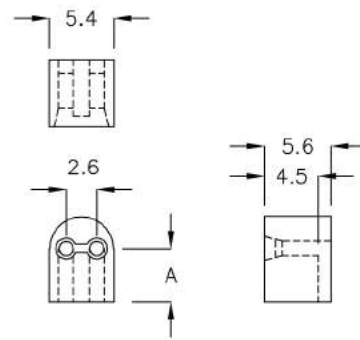
4-12-2



LED 座 LED HOUSING

MATERIAL: NYLON 66(UL)
FLAME CLASS: 94V-2
COLOR: NATURAL, BLACK

FOR $\phi 5$ 2 PIN LED		
PART NO	A	PACKAGE
LEH5-4.5	4.5	1000
LEH5-6	6.0	
LEH5-7	7.0	
LEH5-8	8.0	
LEH5-9	9.0	
LEH5-10	10.0	



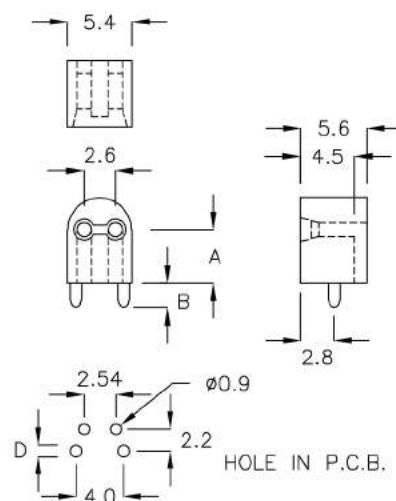
4-12-3



LED 座 LED HOUSING

MATERIAL: NYLON 66(UL)
FLAME CLASS: 94V-2
COLOR: NATURAL, BLACK

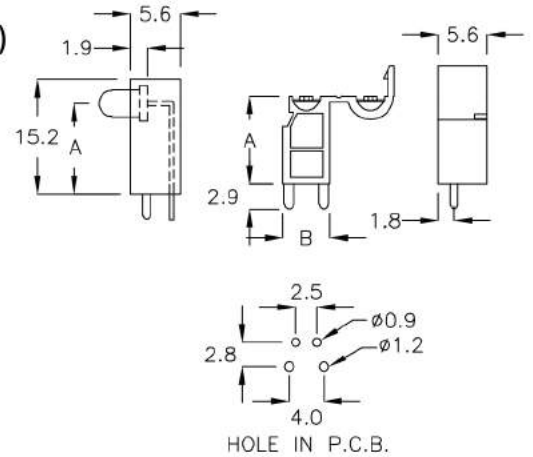
FOR $\phi 5$ 2PIN LED				
PART NO	A	B	D	PACKAGE
LEH5-3T	3.0	2.5	$\phi 1.0$	1000
LEH5-4.5T	4.5	2.5	$\phi 1.1$	
LEH5-6T	6.0	2.5	$\phi 1.0$	
LEH5-7T	7.0			
LEH5-8T	8.0	2.9	$\phi 1.0$	
LEH5-9T	9.0			
LEH5-10T	10.0			
LEH5-12.5T	12.5			
LEH5-16T	16.0			





LED 座 LED HOUSING

MATERIAL: NYLON 66(UL)
FLAME CLASS: 94V-2
COLOR: NATURAL



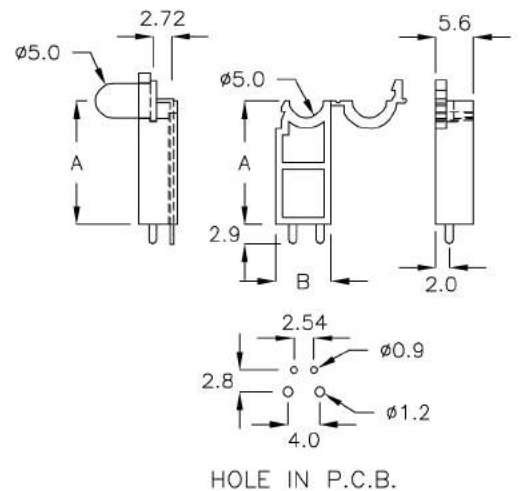
Build-in Clamp Function

FOR $\phi 3$ 2PIN LED			
PART NO	A	B	PACKAGE
LJA-12A	12.5	5.4	500



LED 座 LED HOUSING

MATERIAL: NYLON 66(UL)
FLAME CLASS: 94V-2
COLOR: BLACK



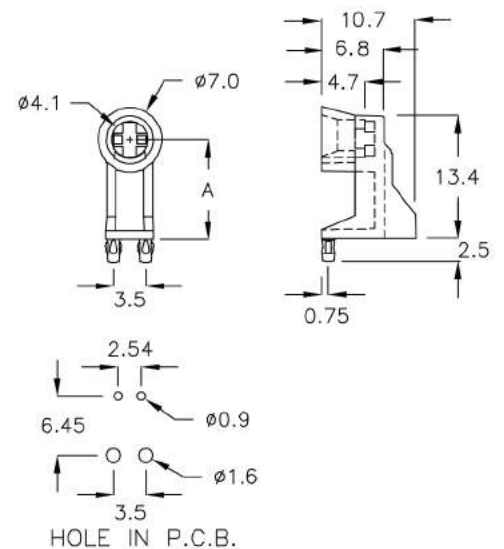
Build-in Clamp Function

FOR $\phi 5$ 2PIN LED			
PART NO	A	B	PACKAGE
QLJ-18	18.0	8.1	500



LED 座 LED HOUSING

MATERIAL: NYLON 66(UL)
FLAME CLASS: 94V-2
COLOR: BLACK



Build-in Clamp Function

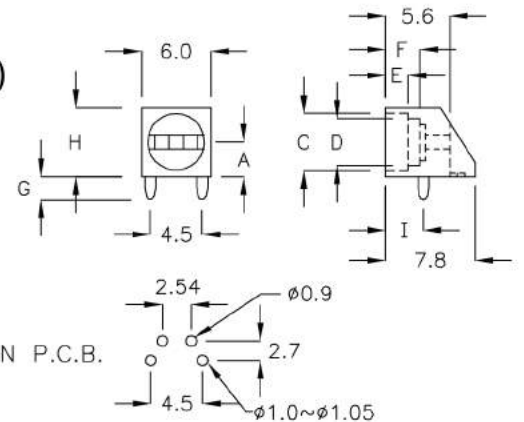
FOR $\phi 3$ 2PIN LED			
PART NO	A	PACKAGE	
QQD-10A	10.9	500	

4-14-1



LED座 LED HOUSING

MATERIAL: NYLON 66(UL)
FLAME CLASS: 94V-2
COLOR: BLACK



Build-in Clamp Function

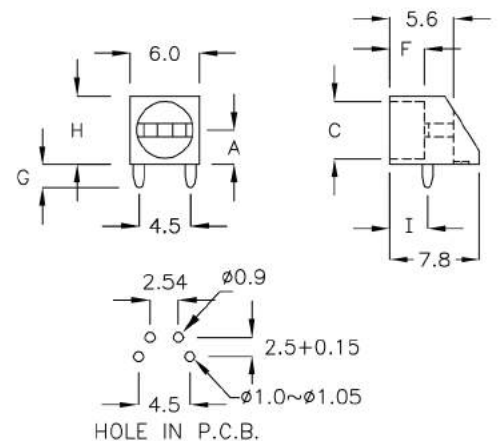
FOR $\phi 5, \phi 3$ 2PIN LED									
PART NO	A	C	D	E	F	G	H	I	PACKAGE
LED-2C	3.0	$\phi 5.0$	$\phi 4.1$	2.7	4.2	3.2	6.0	3.3	1000
LED-2Y	3.0	$\phi 5.0$	$\phi 4.1$	2.0	3.0	3.2	6.0	3.4	

4-14-2



LED座 LED HOUSING

MATERIAL: NYLON 66(UL)
FLAME CLASS: 94V-2
COLOR: BLACK



Build-in Clamp Function

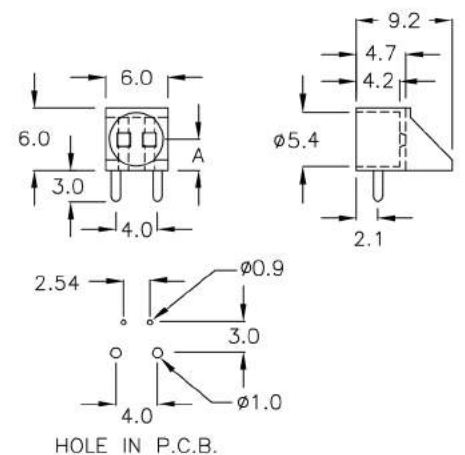
FOR $\phi 3$ 2PIN LED							
PART NO	A	C	F	G	H	I	PACKAGE
LED-3Y	4.0	$\phi 4.1$	1.4	2.5	7.0	3.3	1000
LED-3YK	4.0	$\phi 3.3$	1.4	2.5	7.0	3.3	
LED-4Y	3.0	$\phi 4.1$	1.4	1.5	6.0	3.3	

4-14-3



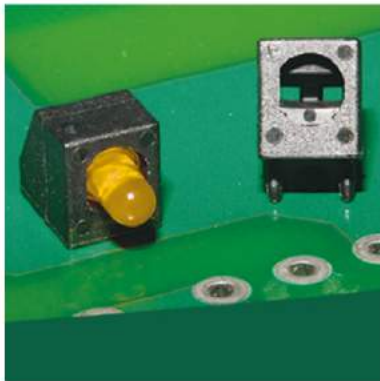
LED座 LED HOUSING

MATERIAL: NYLON 66(UL)
FLAME CLASS: 94V-2
COLOR: BLACK



FOR $\phi 5$ 2PIN LED		
PART NO	A	PACKAGE
LED-5Y	3.0	500

4-15-1

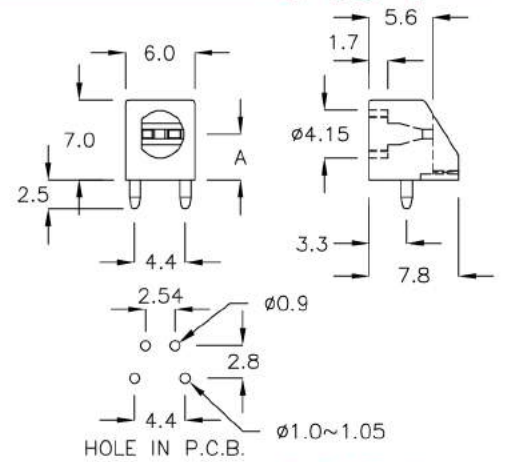


LED座 LED HOUSING

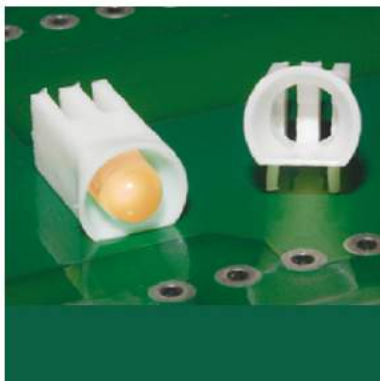
MATERIAL: NYLON 66(UL)
FLAME CLASS: 94V-2
COLOR: BLACK

Build-in Clamp Function

FOR $\phi 3$ 2PIN LED		
PART NO	A	PACKAGE
LED-4WK	4.0	1000



4-15-2

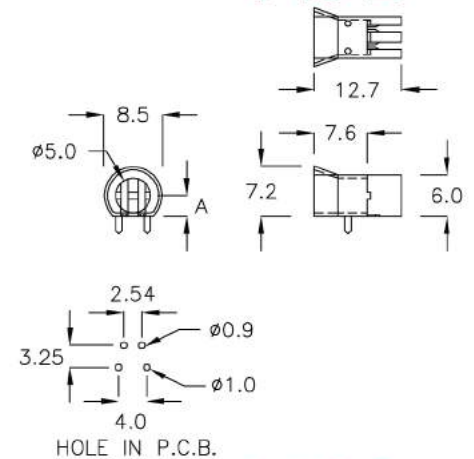


LED座 LED HOUSING

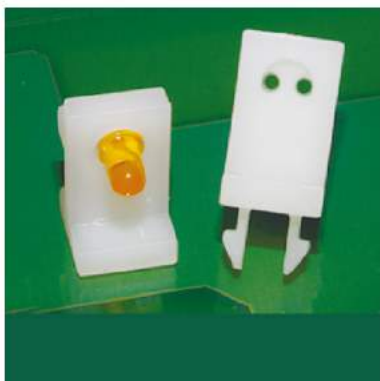
MATERIAL: NYLON 66(UL)
FLAME CLASS: 94V-2
COLOR: NATURAL

Build-in Clamp Function

FOR $\phi 5$ 2PIN LED		
PART NO	A	PACKAGE
ELA-01	3.0	500



4-15-3

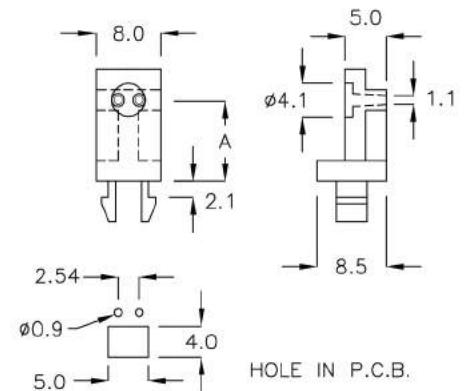


LED座 LED HOUSING

MATERIAL: NYLON 66(UL)
FLAME CLASS: 94V-2
COLOR: NATURAL

FOR $\phi 5$ 2PIN LED

PART NO	A	PACKAGE
LED-10Y	10.0	500



4-15-4

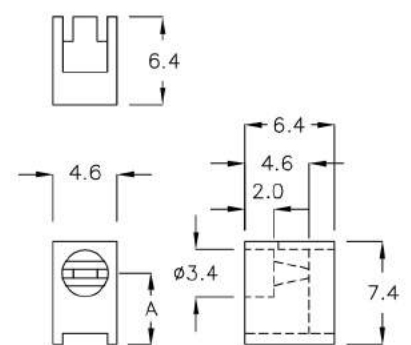


LED座 LED HOUSING

MATERIAL: NYLON 66(UL)
FLAME CLASS: 94V-2
COLOR: BLACK

FOR $\phi 3$ 2PIN LED

PART NO	A	PACKAGE
LEF5-5	5.1	1000



LED 套, LED 座 LED HOLDER, LED HOUSING

PINGOOD

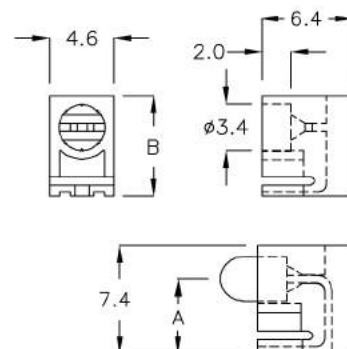
4-16-1



LED 座 LED HOUSING

MATERIAL: NYLON 66(UL)
FLAME CLASS: 94V-2
COLOR: BLACK

FOR $\phi 3$ 2PIN LED			
PART NO	A	B	PACKAGE
LMD-5A	5.1	7.3	1000



4-16-2

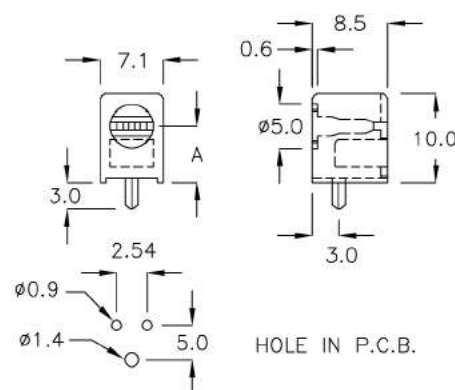


LED 座 LED HOUSING

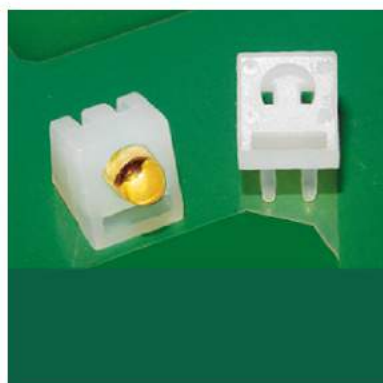
MATERIAL: NYLON 66(UL)
FLAME CLASS: 94V-2
COLOR: BLACK

Build-in Clamp Function

FOR $\phi 5$ 2PIN LED		
PART NO	A	PACKAGE
EEW-6A	6.35	1000



4-16-3

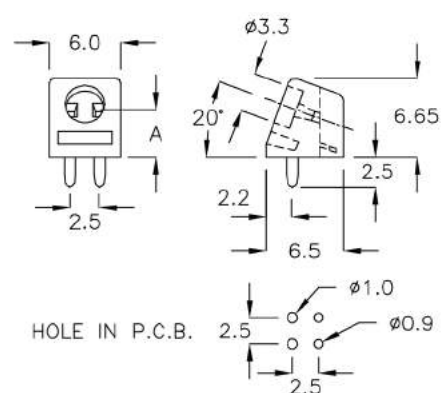


LED 座 LED HOUSING

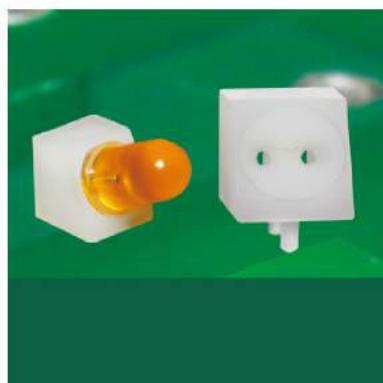
MATERIAL: NYLON 66(UL)
FLAME CLASS: 94V-2
COLOR: NATURAL

Build-in Clamp Function

FOR $\phi 3$ 2PIN LED		
PART NO	A	PACKAGE
LET3-4AK	4.0	1000



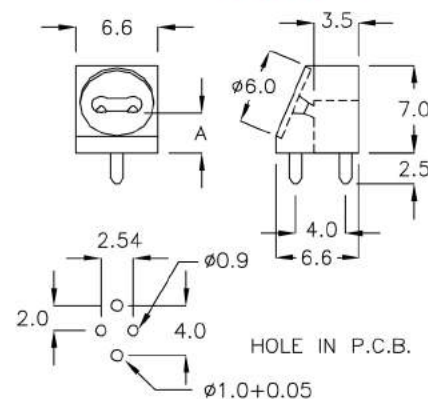
4-16-4



LED 座 LED HOUSING

MATERIAL: NYLON 66(UL)
FLAME CLASS: 94V-2
COLOR: NATURAL, BLACK

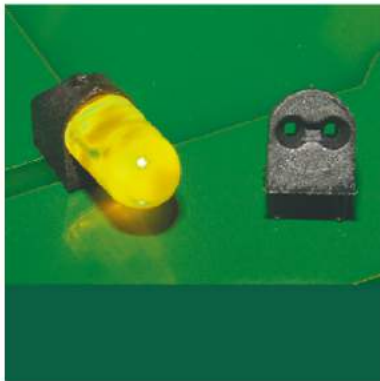
FOR $\phi 5$ 2PIN LED		
PART NO	A	PACKAGE
LET5-3T	3.3	1000



LED 套, LED 座 LED HOLDER, LED HOUSING

PINGOOD

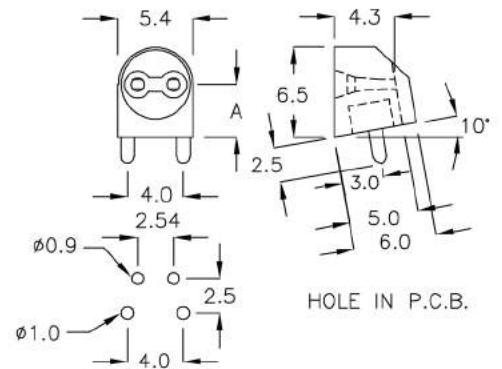
4-17-1



LED 座 LED HOUSING

MATERIAL: NYLON 66(UL)
FLAME CLASS: 94V-2
COLOR: BLACK

FOR $\phi 5$ 2PIN LED		
PART NO	A	PACKAGE
LET5-4.5T	3.8	1000



4-17-2

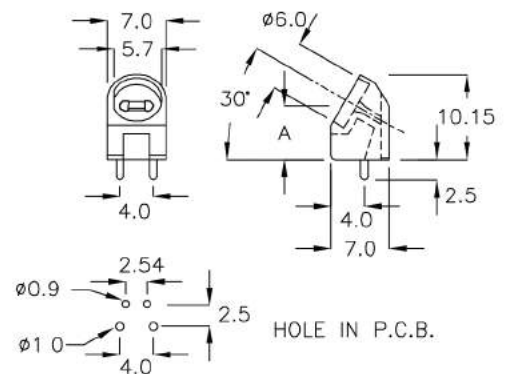


LED 座 LED HOUSING

MATERIAL: NYLON 66(UL)
FLAME CLASS: 94V-2
COLOR: BLACK

Build-in Clamp Function

FOR $\phi 5$ 2PIN LED		
PART NO	A	PACKAGE
LET5-5A	6.4	1000



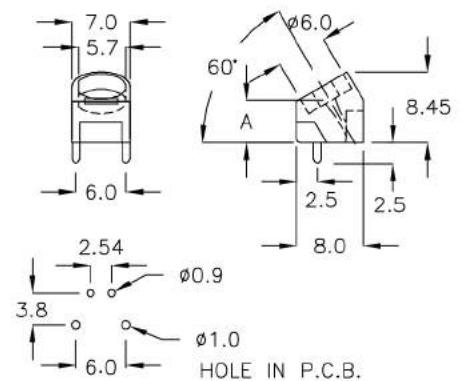
4-17-3



LED 座 LED HOUSING

MATERIAL: NYLON 66(UL)
FLAME CLASS: 94V-2
COLOR: BLACK

FOR $\phi 5$ 2PIN LED		
PART NO	A	PACKAGE
LET5-06	5.0	1000



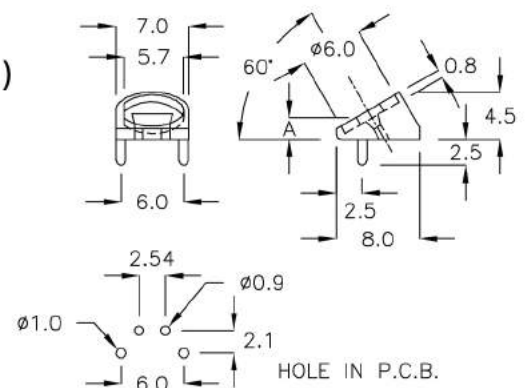
4-17-4



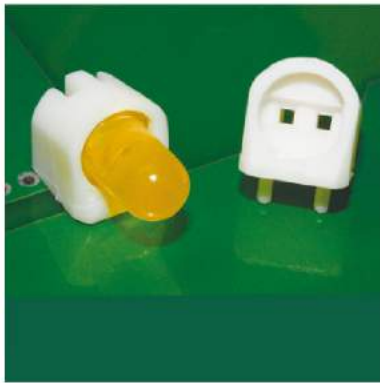
LED 座 LED HOUSING

MATERIAL: NYLON 66(UL)
FLAME CLASS: 94V-2
COLOR: BLACK

FOR $\phi 5$ 2PIN LED		
PART NO	A	PACKAGE
LET5-2C	2.0	2000



4-18-1

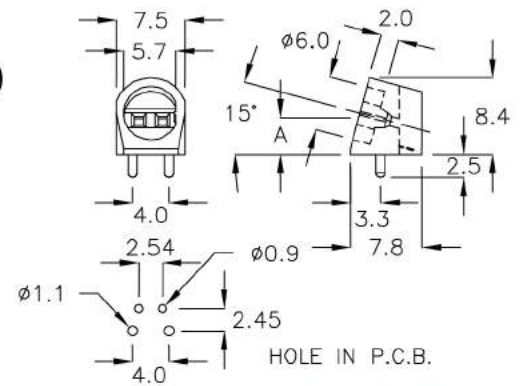


LED座 LED HOUSING

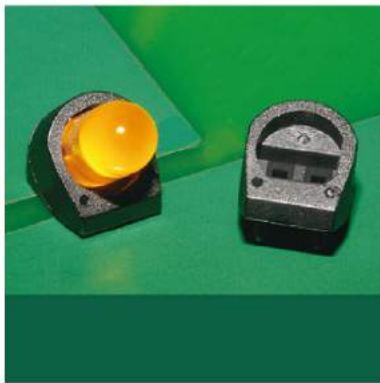
MATERIAL: NYLON 66(UL)
FLAME CLASS: 94V-2
COLOR: NATURAL, BLACK

Build-in Clamp Function

FOR $\phi 5$ 2PIN LED			
PART NO	A	PACKAGE	
LET5-4CK	4.0	1000	



4-18-2

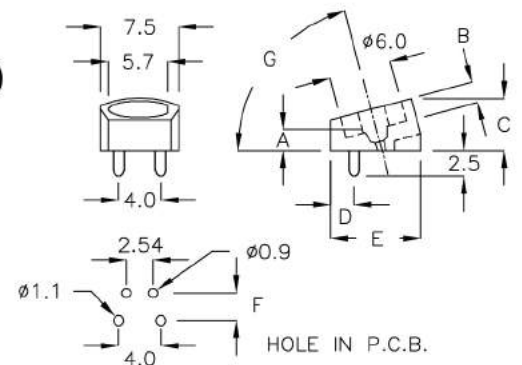


LED座 LED HOUSING

MATERIAL: NYLON 66(UL)
FLAME CLASS: 94V-2
COLOR: BLACK

Build-in Clamp Function

FOR $\phi 5$ 2PIN LED								
PART NO	A	B	C	D	E	F	G	PACKAGE
LET5-2DF	2.0	2.0	5.0	2.3	8.65	2.65	75°	1000
LET5-3MQ	3.0	2.0	7.25	3.35	8.85	3.9	45°	



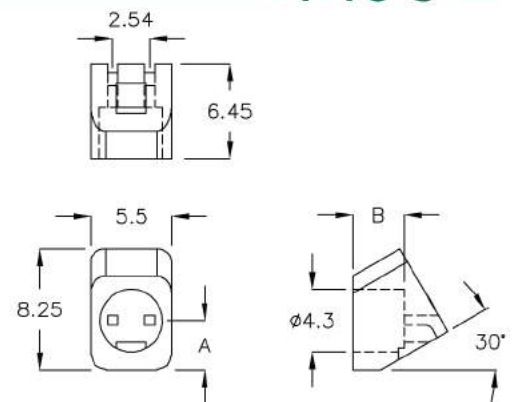
4-18-3



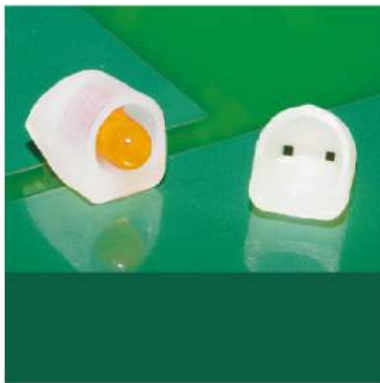
LED座 LED HOUSING

MATERIAL: NYLON 66(UL)
FLAME CLASS: 94V-2
COLOR: NATURAL

FOR $\phi 3$ 2PIN LED			
PART NO	A	B	PACKAGE
QLC-3A	3.4	3.5	2000



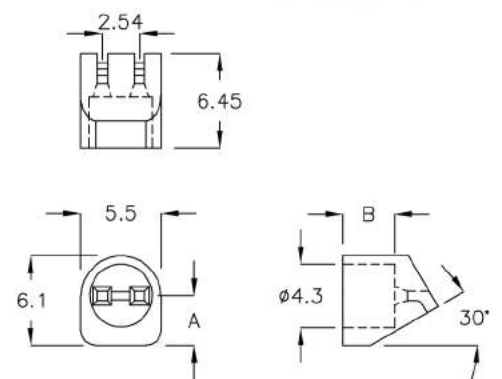
4-18-4



LED座 LED HOUSING

MATERIAL: NYLON 66(UL)
FLAME CLASS: 94V-2
COLOR: NATURAL

FOR $\phi 3$ 2PIN LED			
PART NO	A	B	PACKAGE
QLX-3K	3.4	3.5	1000



LED 套, LED 座 LED HOLDER, LED HOUSING

PINGOOD

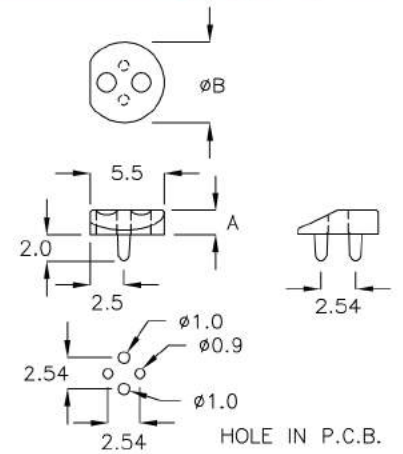
4-19-1



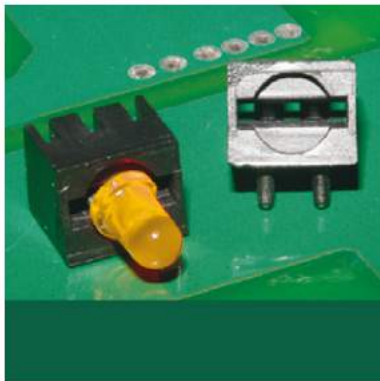
LED座 LED HOUSING

MATERIAL: NYLON 66(UL)
FLAME CLASS: 94V-2
COLOR: BLACK

FOR $\phi 3$ 2PIN LED			
PART NO	A	B	PACKAGE
EKF-1A	1.8	6.0	2000



4-19-2

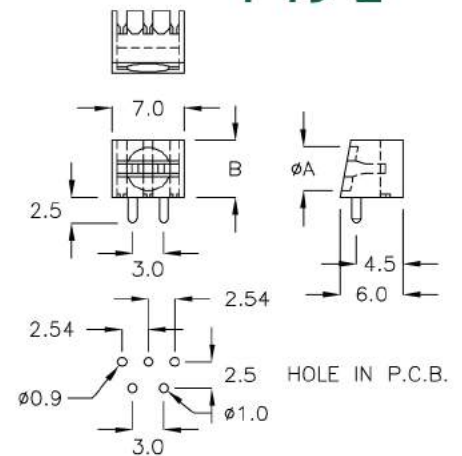


LED座 LED HOUSING

MATERIAL: NYLON 66(UL)
FLAME CLASS: 94V-2
COLOR: BLACK

Build-in Clamp Function

FOR $\phi 3$ 3PIN LED			
PART NO	A	B	PACKAGE
EEN-3A	4.3	5.5	1000



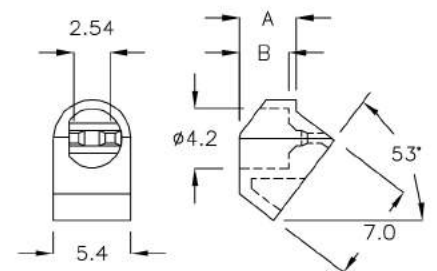
4-19-3



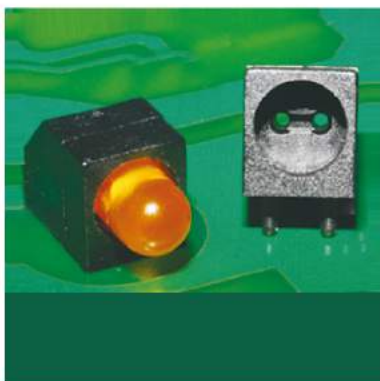
LED座 LED HOUSING

MATERIAL: NYLON 66(UL)
FLAME CLASS: 94V-2
COLOR: NATURAL

FOR $\phi 3$ 2PIN LED			
PART NO	A	B	PACKAGE
QLA-05	4.1	3.45	2000



4-19-4

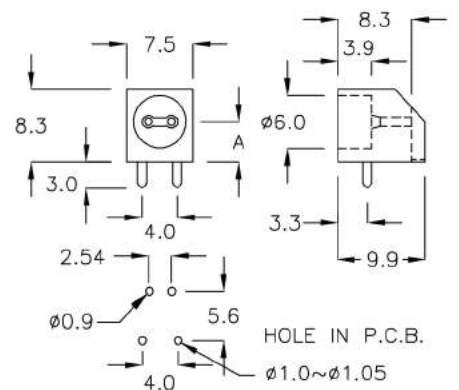


LED座 LED HOUSING

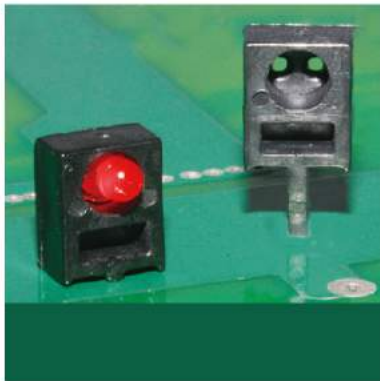
MATERIAL: NYLON 66(UL)
FLAME CLASS: 94V-2
COLOR: BLACK

Build-in Clamp Function

FOR $\phi 5$ 2PIN LED		
PART NO	A	PACKAGE
LEH5-4MT	4.5	500



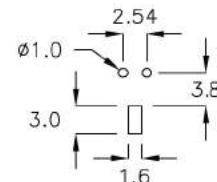
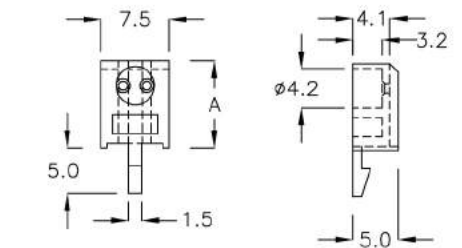
4-20-1



LED座 LED HOUSING

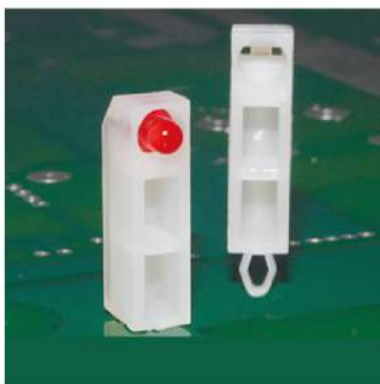
MATERIAL: NYLON 66(UL)
FLAME CLASS: 94V-2
COLOR: BLACK

FOR $\phi 3$ 2PIN LED			
PART NO	A	PACKAGE	
EDT-7A	9.5	1000	



HOLE IN P.C.B.
P.C.B. THICKNESS : 1.6mm

4-20-2

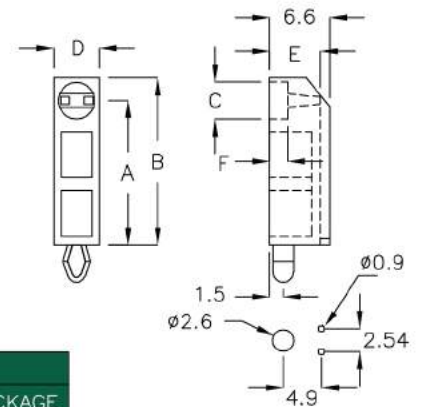


LED座 LED HOUSING

MATERIAL: NYLON 66(UL)
FLAME CLASS: 94V-2
COLOR: NATURAL

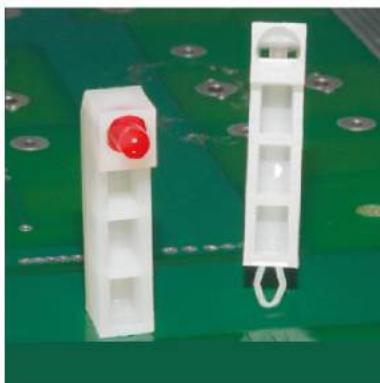
Build-in Clamp Function

FOR $\phi 3$ 2PIN LED							
PART NO	A	B	C	D	E	F	PACKAGE
LEM3-16	16.0	18.5	$\phi 4.1$	5.0	5.6	3.0	500
LEM4-16	16.0	18.6	$\phi 4.2$	5.1	5.7	2.0	



HOLE IN P.C.B.
P.C.B.
THICKNESS : 1.6mm

4-20-3

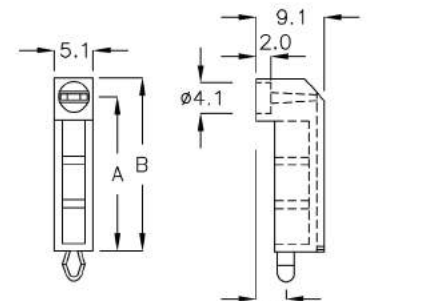


LED座 LED HOUSING

MATERIAL: NYLON 66(UL)
FLAME CLASS: 94V-2
COLOR: NATURAL

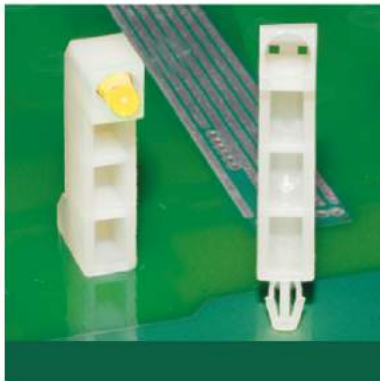
Build-in Clamp Function

FOR $\phi 3$ 2PIN LED			
PART NO	A	B	PACKAGE
LEM4-20A	20.5	23.0	500



HOLE IN P.C.B.
P.C.B. THICKNESS : 1.6mm

4-21-1

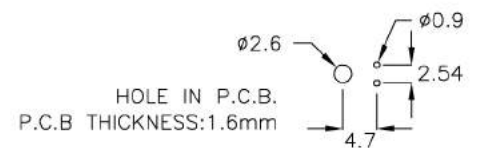
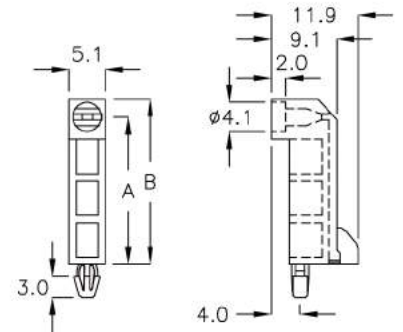


LED座 LED HOUSING

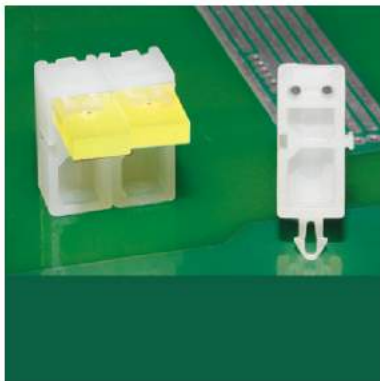
MATERIAL: NYLON 66(UL)
FLAME CLASS: 94V-2
COLOR: NATURAL

Build-in Clamp Function

FOR $\phi 3$ 2PIN LED			
PART NO	A	B	PACKAGE
EKC-20A	20.5	23.0	500



4-21-2

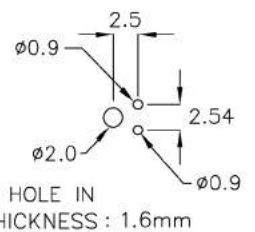
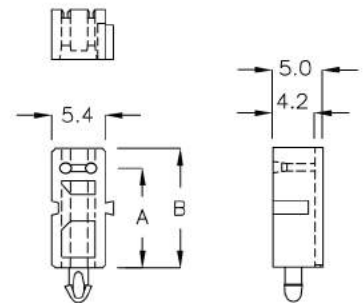


LED座 LED HOUSING

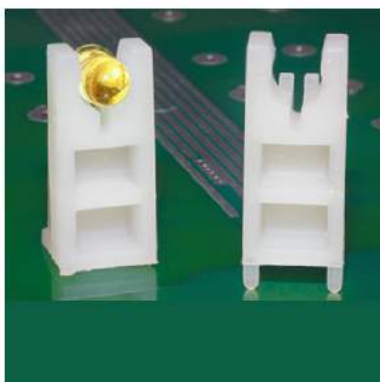
MATERIAL: NYLON 66(UL)
FLAME CLASS: 94V-2
COLOR: NATURAL

Build-in Clamp Function

FOR QUADRATE 2PIN LED			
PART NO	A	B	PACKAGE
EDW-10	10.0	12.0	1000



4-21-3

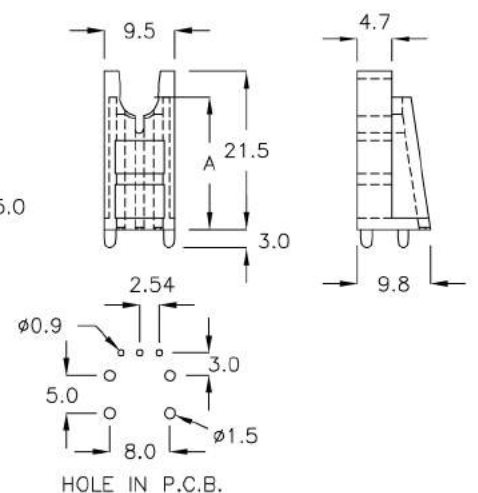
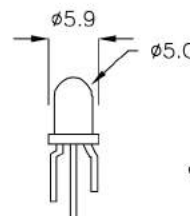


LED座 LED HOUSING

MATERIAL: NYLON 66(UL)
FLAME CLASS: 94V-2
COLOR: NATURAL

Build-in Clamp Function

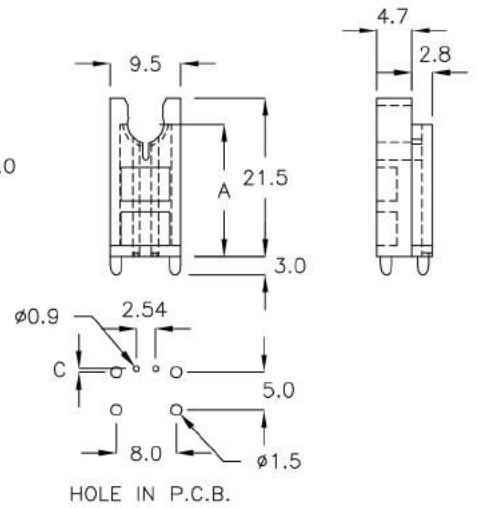
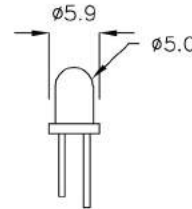
FOR $\phi 5$ 3PIN LED		
PART NO	A	PACKAGE
LEX-18T	18.0	500





LED座 LED HOUSING

MATERIAL: NYLON 66(UL)
FLAME CLASS: 94V-2
COLOR: NATURAL



Build-in Clamp Function

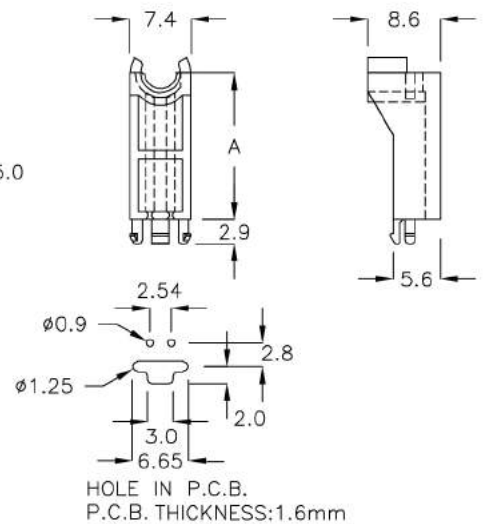
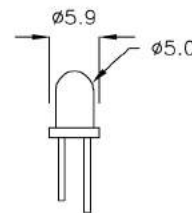
FOR $\phi 5$ 2PIN LED			
PART NO	A	C	PACKAGE
LEW-18T	18.0	0.5	500
LEI-18T	18.0	0.3	

HOLE IN P.C.B.



LED座 LED HOUSING

MATERIAL: NYLON 66(UL)
FLAME CLASS: 94V-2
COLOR: BLACK



Build-in Clamp Function

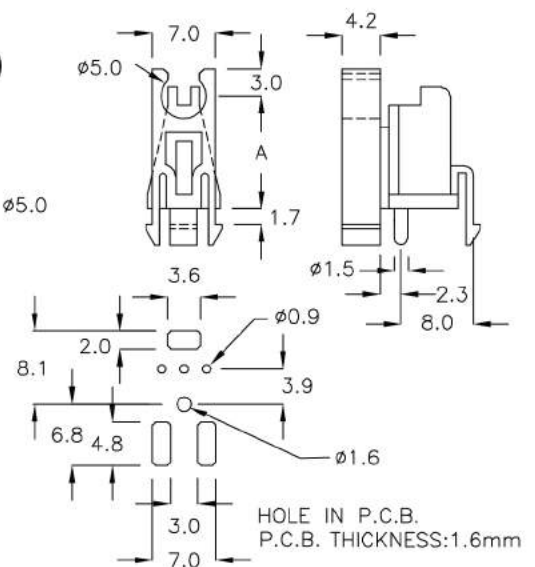
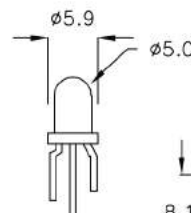
FOR $\phi 5$ 2PIN LED		
PART NO	A	PACKAGE
LJD-18	17.5	500

HOLE IN P.C.B.
P.C.B. THICKNESS:1.6mm



LED座 LED HOUSING

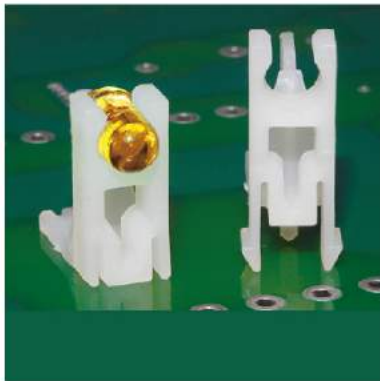
MATERIAL: NYLON 66(UL)
FLAME CLASS: 94V-2
COLOR: NATURAL



FOR $\phi 5$ 3PIN LED		
PART NO	A	PACKAGE
LED-5AT	12.5	500

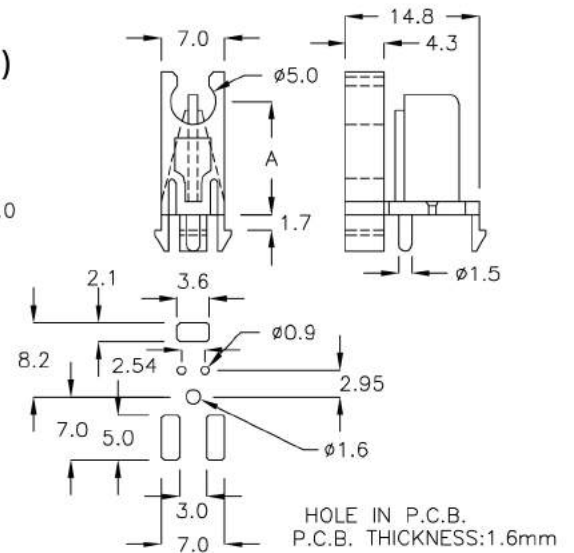
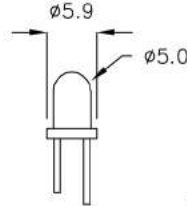
HOLE IN P.C.B.
P.C.B. THICKNESS:1.6mm

4-23-1



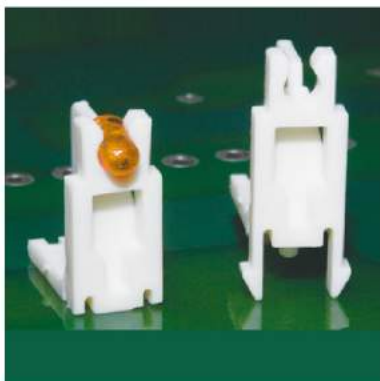
LED座 LED HOUSING

MATERIAL: NYLON 66(UL)
FLAME CLASS: 94V-2
COLOR: NATURAL



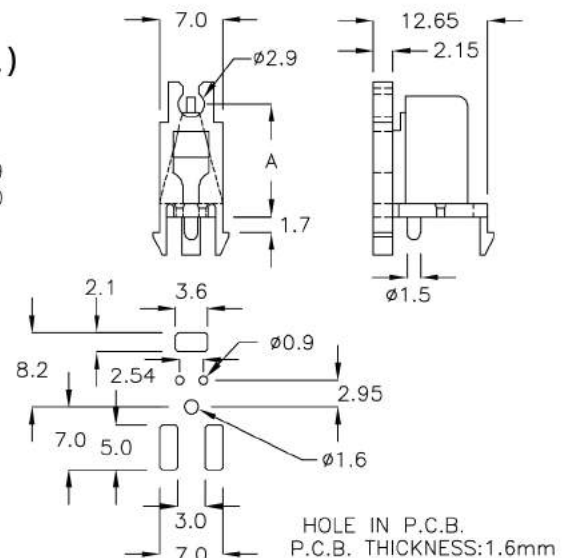
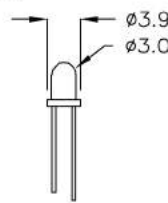
FOR $\phi 5$ 2PIN LED		
PART NO	A	PACKAGE
LED-5BT	12.5	500

4-23-2



LED座 LED HOUSING

MATERIAL: NYLON 66(UL)
FLAME CLASS: 94V-2
COLOR: NATURAL



FOR $\phi 3$ 2PIN LED		
PART NO	A	PACKAGE
LED-3BT	12.5	500

4-23-3

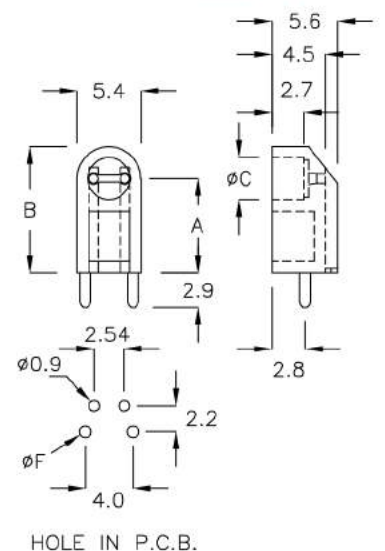


LED座 LED HOUSING

MATERIAL: NYLON 66(UL)
FLAME CLASS: 94V-2
COLOR: NATURAL

Build-in Clamp Function

FOR $\phi 3$ 2PIN LED					
PART NO	A	B	C	F	PACKAGE
LEG3-6A	6.5	9.2	$\phi 3.6$	1.1	1000
LEG3-8T	8.0	10.7	$\phi 3.6$	1.0	500
LEG3-10F	10.6	13.3	$\phi 4.1$	1.0	2000
LEG3-11C	11.6	14.3	$\phi 4.1$	1.0	2000



LED 套, LED 座 LED HOLDER, LED HOUSING

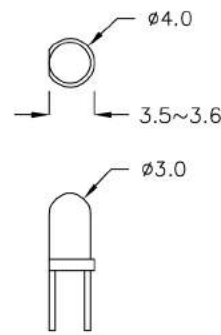
PINGOOD

4-24-1

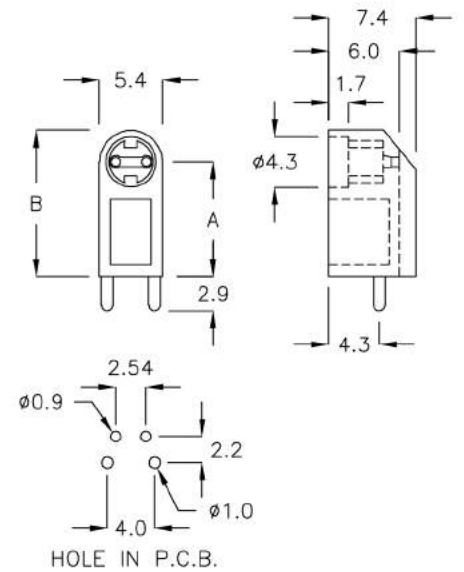
LED 座 LED HOUSING



MATERIAL: NYLON 66(UL)
FLAME CLASS: 94V-2
COLOR: BLACK



FOR $\phi 3$ 2PIN LED			
PART NO	A	B	PACKAGE
LEG3-9JQ	9.7	12.4	500

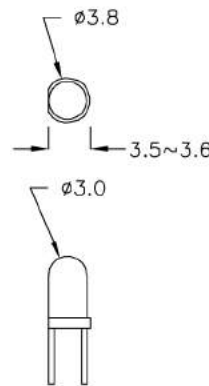


4-24-2

LED 座 LED HOUSING

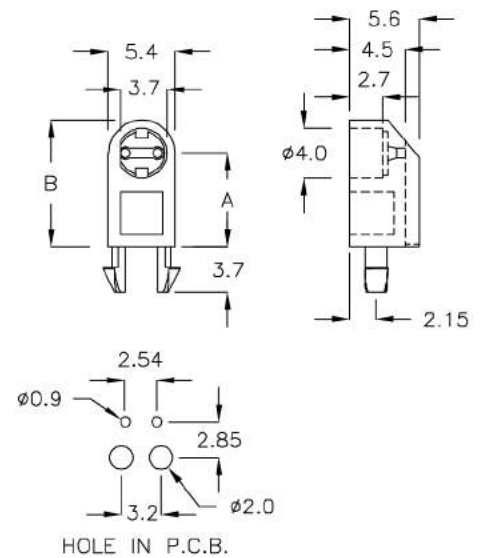


MATERIAL: NYLON 66(UL)
FLAME CLASS: 94V-2
COLOR: BLACK



Build-in Clamp Function

FOR $\phi 3$ 2PIN LED			
PART NO	A	B	PACKAGE
LEG3-7ML	7.5	10.2	1000

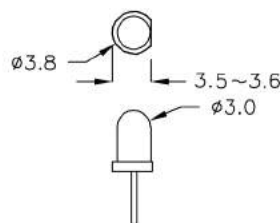


4-24-3

LED 座 LED HOUSING

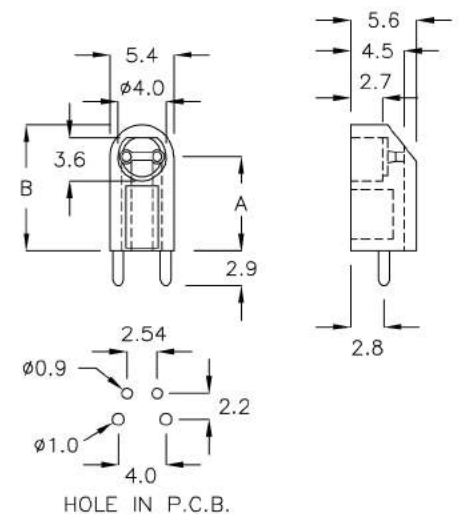


MATERIAL: NYLON 66(UL)
FLAME CLASS: 94V-2
COLOR: NATURAL, BLACK



Build-in Clamp Function

FOR $\phi 3$ 2PIN LED			
PART NO	A	B	PACKAGE
LEG3-10NQ	10.6	13.3	500



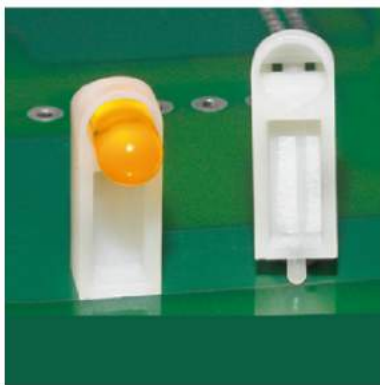
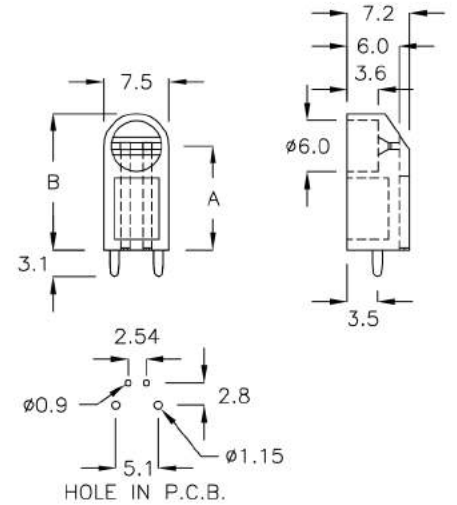


LED座 LED HOUSING

MATERIAL: NYLON 66(UL)
FLAME CLASS: 94V-2
COLOR: NATURAL

Build-in Clamp Function

FOR $\phi 5$ 2PIN LED			
PART NO	A	B	PACKAGE
EDJ-12	12.0	15.8	500

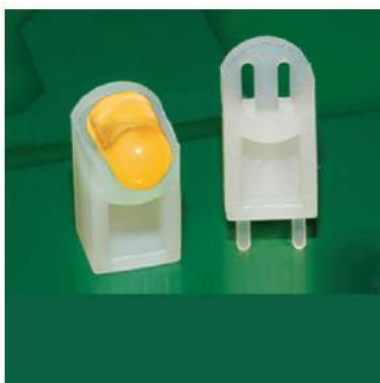
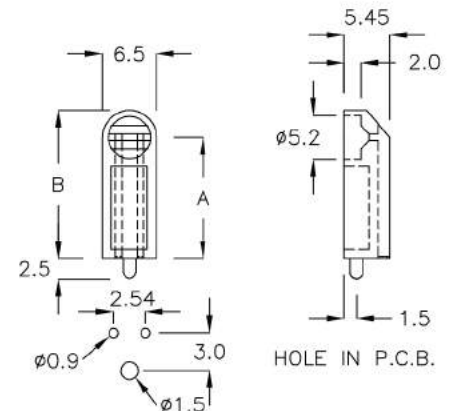


LED座 LED HOUSING

MATERIAL: NYLON 66(UL)
FLAME CLASS: 94V-2
COLOR: NATURAL

Build-in Clamp Function

FOR $\phi 5$ 2PIN LED			
PART NO	A	B	PACKAGE
EEM-14A	14.5	17.75	500

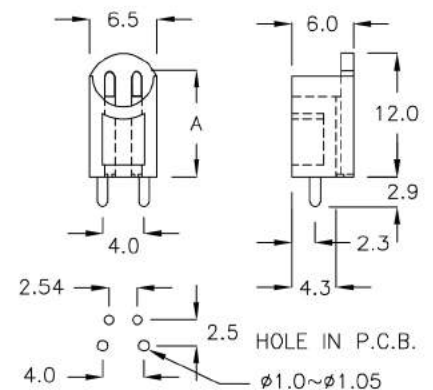


LED座 LED HOUSING

MATERIAL: NYLON 66(UL)
FLAME CLASS: 94V-2
COLOR: NATURAL

Build-in Clamp Function

FOR $\phi 5$ 2PIN LED		
PART NO	A	PACKAGE
EEH-9A	10.0	2000



LED套, LED座 LED HOLDER, LED HOUSING

PINGOOD

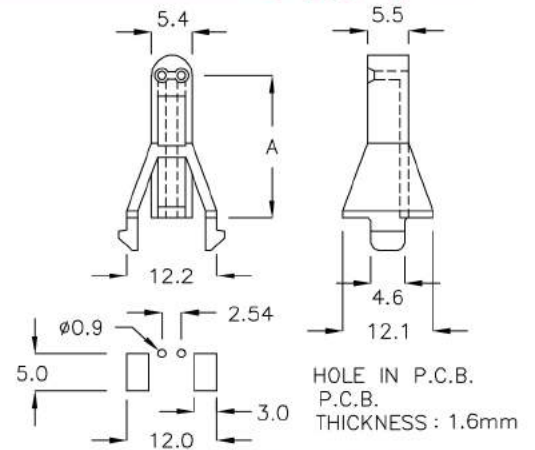
4-26-1



LED座 LED HOUSING

MATERIAL: NYLON 66(UL)
FLAME CLASS: 94V-2
COLOR: BLACK

FOR $\phi 5$ 2PIN LED			
PART NO	A	PACKAGE	
LEH5-19K	19.0	1000	



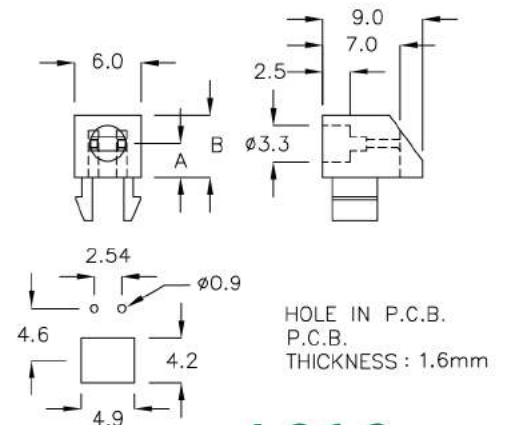
4-26-2



LED座 LED HOUSING

MATERIAL: NYLON 66(UL)
FLAME CLASS: 94V-2
COLOR: BLACK

FOR $\phi 3$ 2PIN LED			
PART NO	A	B	PACKAGE
EEC-03	3.05	5.6	1000



4-26-3

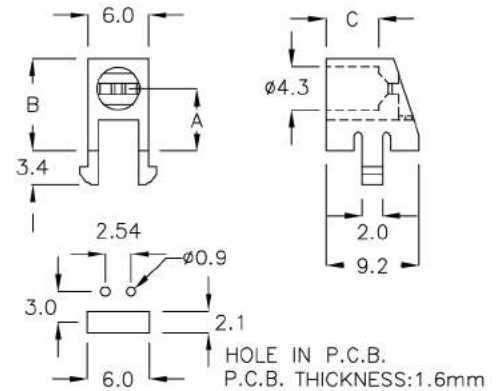


LED座 LED HOUSING

MATERIAL: NYLON 66(UL)
FLAME CLASS: 94V-2
COLOR: BLACK

Build-in Clamp Function

FOR $\phi 3$ 2PIN LED				
PART NO	A	B	C	PACKAGE
EEK-6A	6.1	9.1	5.2	1000



4-26-4

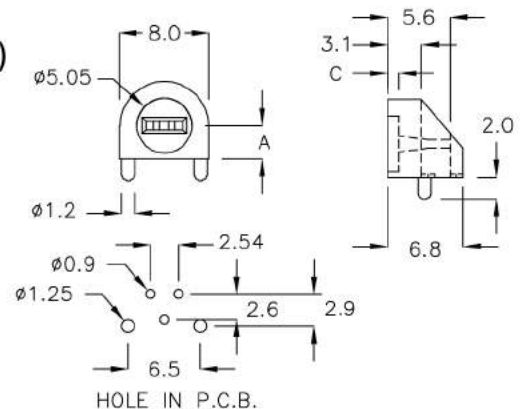


LED座 LED HOUSING

MATERIAL: NYLON 66(UL)
FLAME CLASS: 94V-2
COLOR: NATURAL

Build-in Clamp Function

FOR $\phi 5$ 3PIN LED			
PART NO	A	C	PACKAGE
EDL-03	3.0	1.0	1000



LED 套, LED 座 LED HOLDER, LED HOUSING

PINGOOD

4-27-1

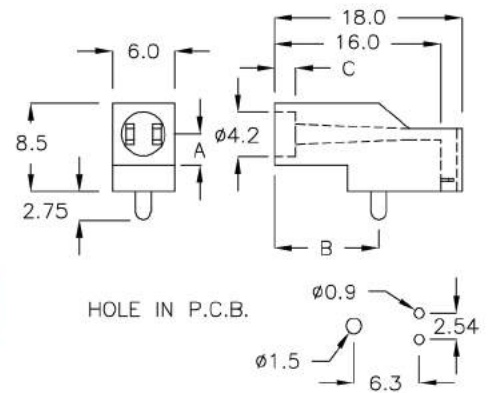


LED 座 LED HOUSING

MATERIAL: NYLON 66(UL)
FLAME CLASS: 94V-2
COLOR: BLACK

Build-in Clamp Function

FOR $\phi 3$ 2PIN LED				
PART NO	A	B	C	PACKAGE
EKN-05A	3.0	10.0	2.0	500



4-27-2

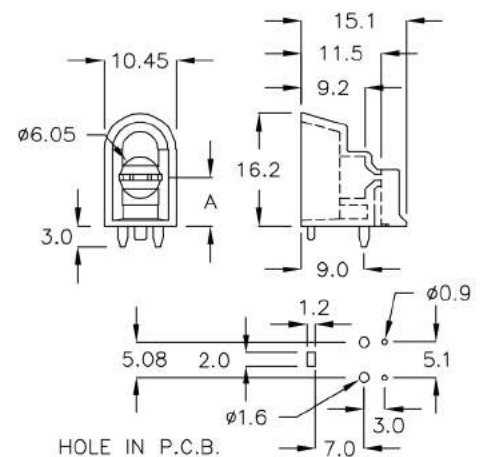


LED 座 LED HOUSING

MATERIAL: NYLON 66(UL)
FLAME CLASS: 94V-2
COLOR: BLACK

Build-in Clamp Function

FOR $\phi 5$ 2PIN LED		
PART NO	A	PACKAGE
QQR-7A	7.0	500



4-27-3

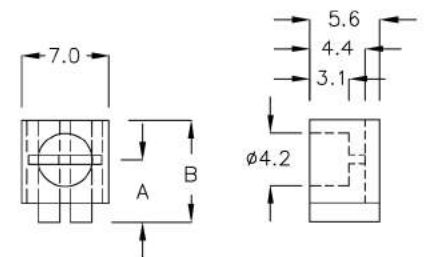


LED 座 LED HOUSING

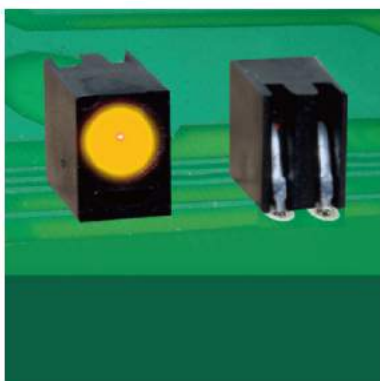
MATERIAL: NYLON 66(UL)
FLAME CLASS: 94V-2
COLOR: BLACK

Build-in Clamp Function

FOR $\phi 3$ 3PIN LED			
PART NO	A	B	PACKAGE
EDC-05	5.0	8.2	1000



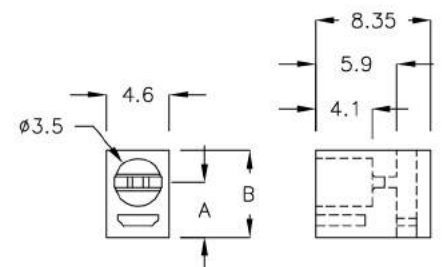
4-27-4



LED 座 LED HOUSING

MATERIAL: NYLON 66(UL)
FLAME CLASS: 94V-2
COLOR: BLACK

FOR $\phi 3$ 2PIN LED			
PART NO	A	B	PACKAGE
EKT-4C	4.0	6.3	2000



4-28-1

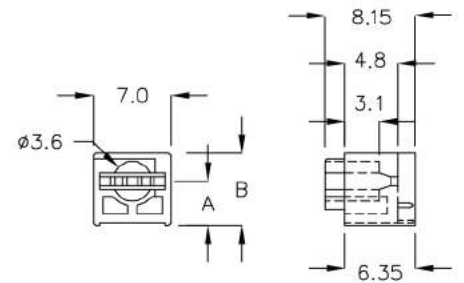


LED 座 LED HOUSING

MATERIAL: NYLON 66(UL)
FLAME CLASS: 94V-2
COLOR: BLACK

Build-in Clamp Function

FOR $\phi 3$ 3PIN LED			
PART NO	A	B	PACKAGE
EKB-04	4.0	6.6	1000



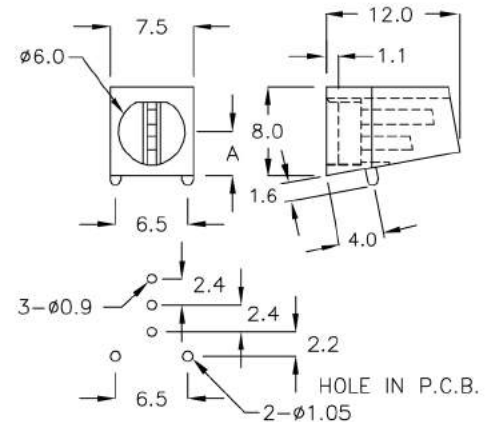
4-28-2



LED 座 LED HOUSING

MATERIAL: NYLON 66(UL)
FLAME CLASS: 94V-2
COLOR: BLACK

FOR $\phi 5$ 3PIN LED		
PART NO	A	PACKAGE
LER-4	4.0	1000



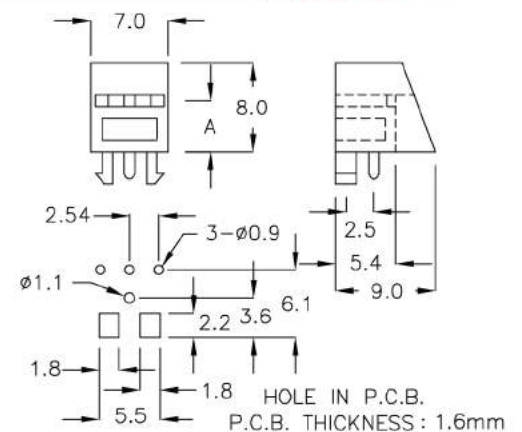
4-28-3



LED 座 LED HOUSING

MATERIAL: NYLON 66(UL)
FLAME CLASS: 94V-2
COLOR: BLACK

FOR $\phi 5$ 3PIN LED		
PART NO	A	PACKAGE
LEK5-5TX	4.6	500



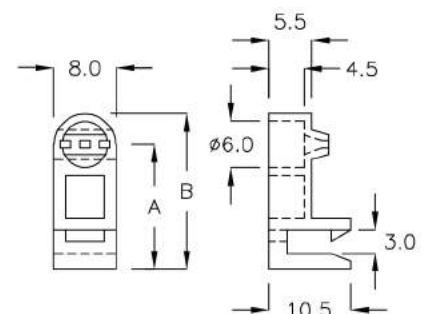
4-28-4



LED 座 LED HOUSING

MATERIAL: NYLON 66(UL)
FLAME CLASS: 94V-2
COLOR: NATURAL

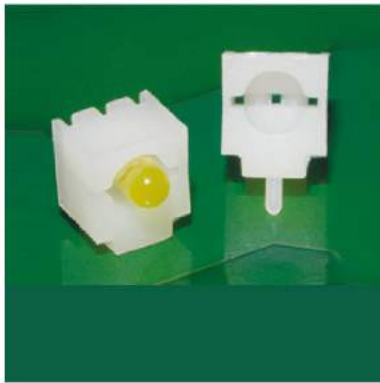
FOR $\phi 5$ 3PIN LED			
PART NO	A	B	PACKAGE
EDA-11	16.0	20.0	500



LED套, LED座 LED HOLDER, LED HOUSING

PINGOOD

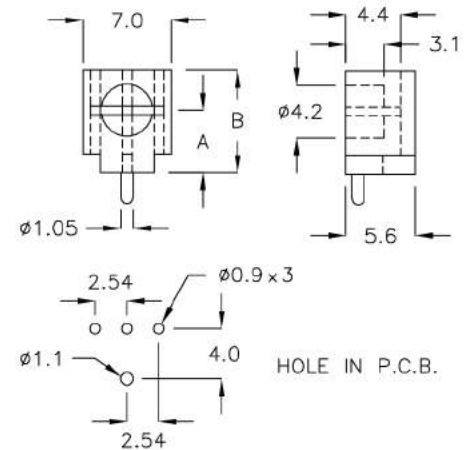
4-29-1



LED座 LED HOUSING

MATERIAL: NYLON 66(UL)
FLAME CLASS: 94V-2
COLOR: NATURAL

FOR $\phi 3$ 3PIN LED			
PART NO	A	B	PACKAGE
EDM-05	5.0	8.2	1000



4-29-2

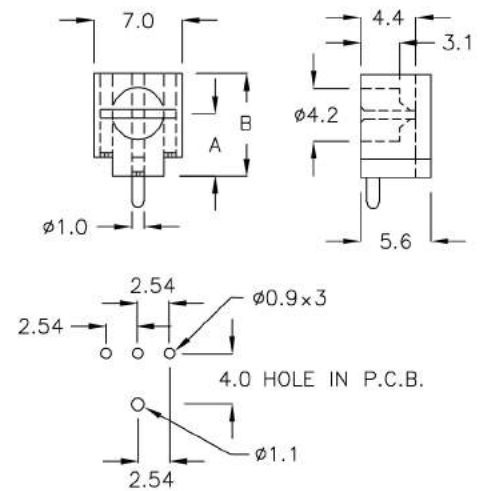


LED座 LED HOUSING

MATERIAL: NYLON 66(UL)
FLAME CLASS: 94V-2
COLOR: BLACK

Build-in Clamp Function

FOR $\phi 3$ 3PIN LED			
PART NO	A	B	PACKAGE
EDM-5C	5.0	8.2	1000



4-29-3



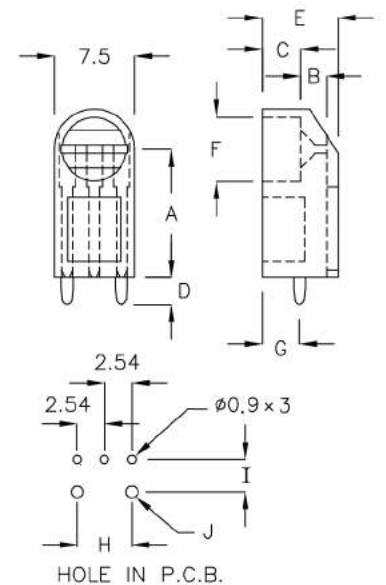
LED座 LED HOUSING

MATERIAL: NYLON 66(UL)
FLAME CLASS: 94V-2
COLOR: NATURAL

Build-in Clamp Function

FOR $\phi 5$ 3PIN LED						
PART NO	A	B	C	D	E	F
LEE-12	12.0	2.5	3.6	3.1	7.1	$\phi 6.0$
LEK2-10T	9.5	2.0	4.0	3.0	7.1	$\phi 6.1$
LEK2-12T	12.0	2.5	3.6	2.5	7.1	$\phi 6.0$
LEK2-13T	13.5	2.1	3.9	2.5	7.1	$\phi 6.0$
LEK2-18T	17.5	2.4	3.6	3.0	7.0	$\phi 6.0$
LEK4-4T	4.0	4.6	1.0	3.0	6.6	$\phi 6.2$

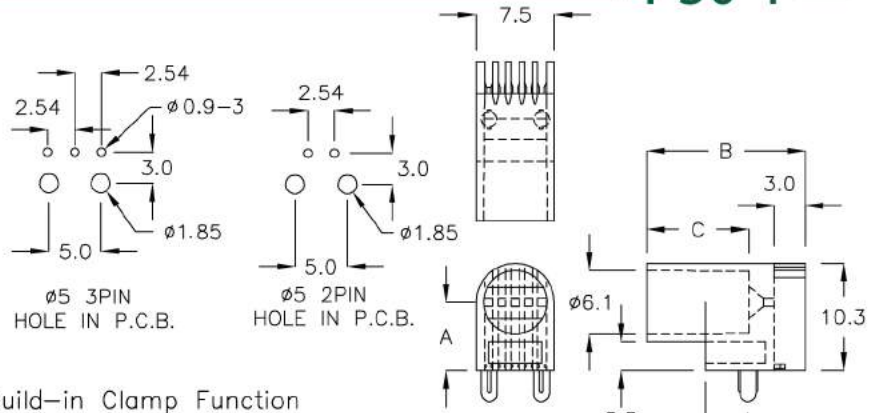
PART NO	G	H	I	J	PACKAGE
LEE-12	3.5	5.08	3.0	$\phi 1.2$	500
LEK2-10T	3.5	5.08	3.0	$\phi 1.2$	
LEK2-12T	3.5	5.08	3.0	$\phi 1.2$	
LEK2-13T	3.8	6.5	2.7	$\phi 1.05$	
LEK2-18T	3.5	5.08	3.0	$\phi 1.2$	
LEK4-4T	3.8	6.5	2.5	$\phi 1.05$	1000



LED 座 LED HOUSING



MATERIAL: NYLON 66(UL)
FLAME CLASS: 94V-2
COLOR: BLACK



FOR $\phi 5$ 2PIN & $\phi 5$ 3PIN LED				
PART NO	A	B	C	PACKAGE
QLT-6A	6.55	14.0	8.6	500
QLT-6C	6.55	14.0	6.1	

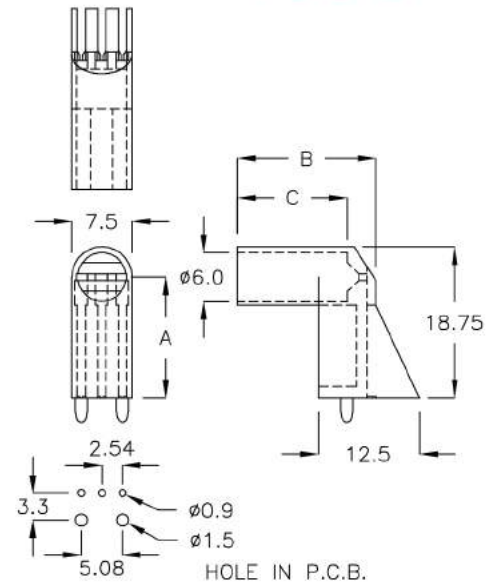
LED 座 LED HOUSING



MATERIAL: NYLON 66(UL)
FLAME CLASS: 94V-2
COLOR: BLACK

Build-in Clamp Function

FOR $\phi 5$ 3PIN LED LAMP				
PART NO	A	B	C	PACKAGE
QLU-15	15.0	17.1	13.6	500



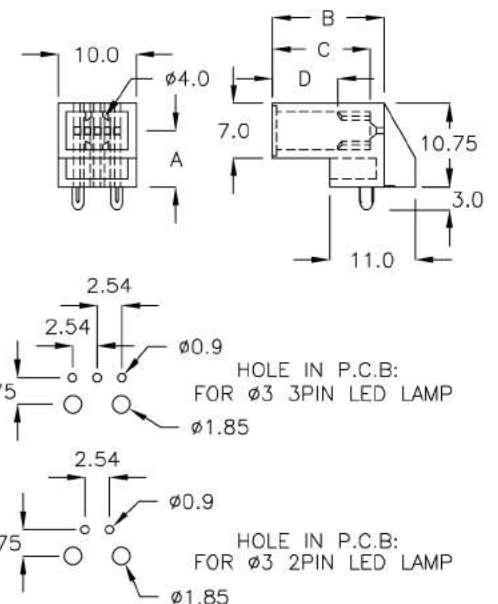
LED 座 LED HOUSING



MATERIAL: NYLON 66(UL)
FLAME CLASS: 94V-2
COLOR: BLACK

Build-in Clamp Function

FOR $\phi 3$ 3PIN, 2PIN LED LAMP					
PART NO	A	B	C	D	PACKAGE
QBT-7A	7.25	14.4	12.6	8.4	500
QBT-7C	7.25	14.4	7.6	3.4	
QBT-7D	7.25	14.4	6.6	2.4	
QBT-7F	7.25	8.4	6.6	2.4	
QBT-7K	7.25	13.4	11.6	7.4	



LED套, LED座 LED HOLDER, LED HOUSING

PINGOOD

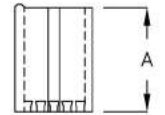
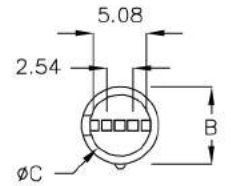
4-31-1



LED套 LED HOLDER

MATERIAL: NYLON 66(UL)
FLAME CLASS: 94V-2
COLOR: BLACK

FOR $\phi 5$ 3PIN, 2PIN LED				
PART NO	A	B	C	PACKAGE
LEA-01	10.0	$\phi 7.4$	$\phi 6.0$	2000



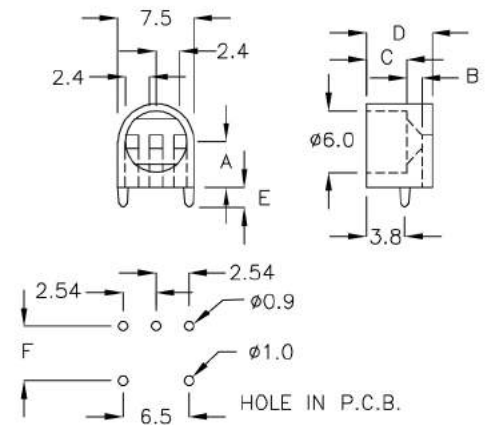
4-31-2



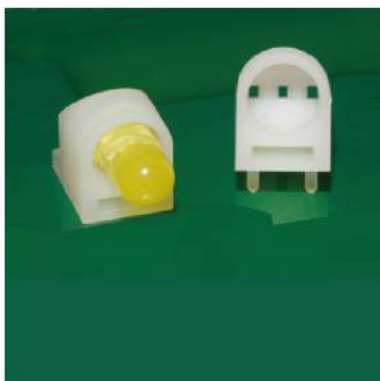
LED座 LED HOUSING

MATERIAL: NYLON 66(UL)
FLAME CLASS: 94V-2
COLOR: BLACK

FOR $\phi 5$ 3PIN LED							
PART NO	A	B	C	D	E	F	PACKAGE
LEK2-4.5T	4.5	2.1	4.0	7.1	3.1	2.8	1000
LEK4-4.5T	4.5	4.5	1.0	6.5	2.0	2.2	



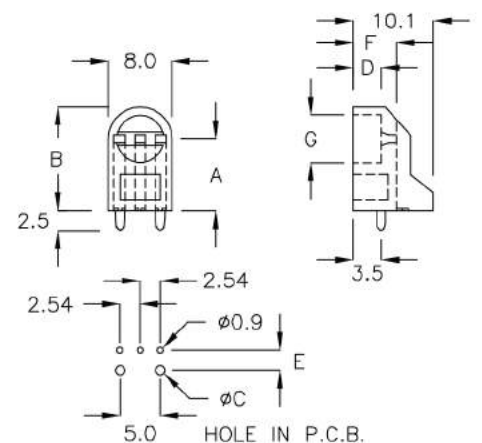
4-31-3



LED座 LED HOUSING

MATERIAL: NYLON 66(UL)
FLAME CLASS: 94V-2
COLOR: NATURAL

FOR $\phi 5$ 3PIN LED								
PART NO	A	B	C	D	E	F	G	PACKAGE
LEU-06	6.0	10.0	$\phi 1.0$	4.3	2.6	6.0	$\phi 6.2$	500
LEU-09	9.0	13.0	$\phi 1.2$	3.5	2.5	5.5	$\phi 6.0$	
LEU-10	10.0	14.0	$\phi 1.0$	4.0	2.6	5.5	$\phi 6.0$	

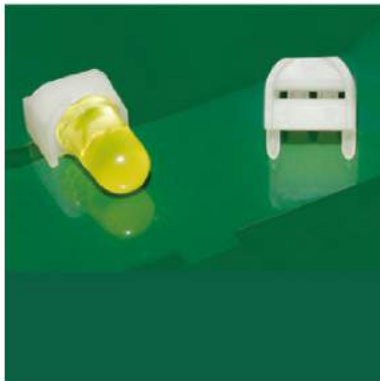


Build-in Clamp Function

LED套, LED座 LED HOLDER, LED HOUSING

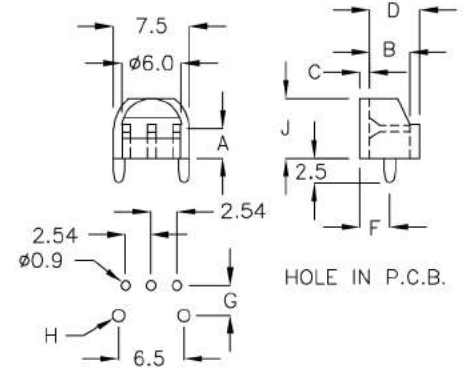
PINGOOD

4-32-1



LED座 LED HOUSING

MATERIAL: NYLON 66(UL)
FLAME CLASS: 94V-2
COLOR: NATURAL, BLACK



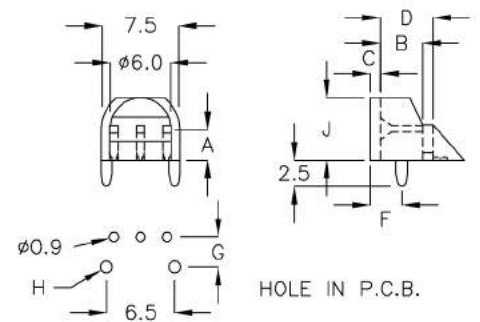
FOR $\phi 5$ 3PIN LED									
PART NO	A	B	C	D	F	G	H	J	PACKAGE
LEK4-3T	3.0	4.0	1.0	5.0	3.0	3.0	$\phi 1.2$	6.0	1000
LEY-03	3.5	4.0	1.0	5.0	3.0	2.7	$\phi 1.2$	6.5	

4-32-2



LED座 LED HOUSING

MATERIAL: NYLON 66(UL)
FLAME CLASS: 94V-2
COLOR: NATURAL, BLACK



Build-in Clamp Function

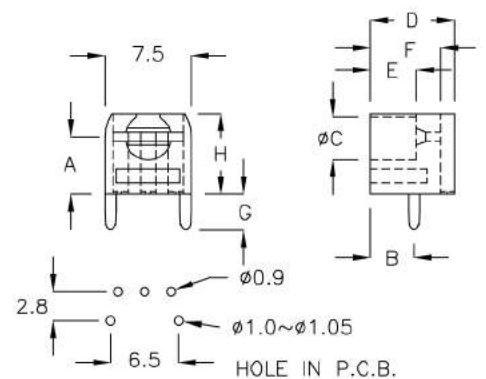
FOR $\phi 5$ 3PIN LED									
PART NO	A	B	C	D	F	G	H	J	PACKAGE
LEK4-3TW	3.0	4.0	1.0	5.0	3.0	3.0	$\phi 1.2$	6.0	1000

4-32-3



LED座 LED HOUSING

MATERIAL: NYLON 66(UL)
FLAME CLASS: 94V-2
COLOR: BLACK



Build-in Clamp Function

FOR $\phi 3$ 3PIN LED									
PART NO	A	B	C	D	E	F	G	H	PACKAGE
EKM-05	5.0	3.8	4.0	7.3	4.0	6.1	3.1	7.0	1000

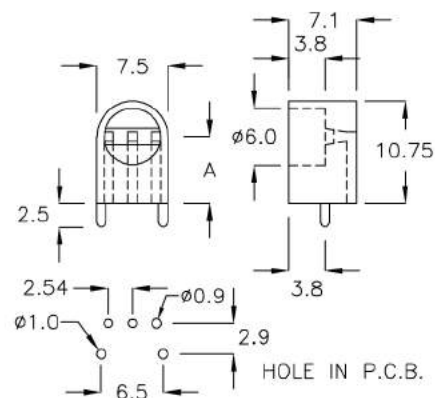
4-34-1



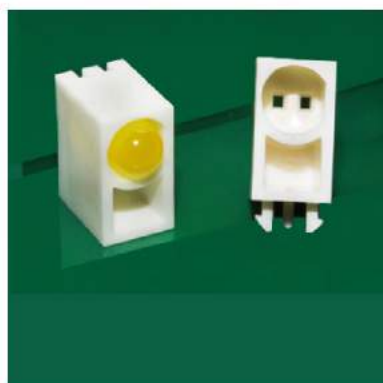
LED座 LED HOUSING

MATERIAL: NYLON 66(UL)
FLAME CLASS: 94V-2
COLOR: NATURAL

FOR $\phi 5$ 3PIN LED		
PART NO	A	PACKAGE
EDQ-07	7.0	1000



4-34-2

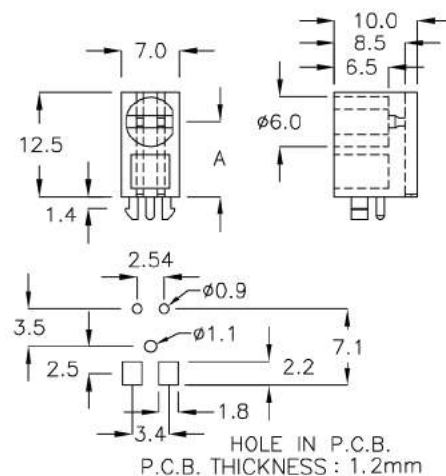


LED座 LED HOUSING

MATERIAL: NYLON 66(UL)
FLAME CLASS: 94V-2
COLOR: NATURAL

Build-in Clamp Function

FOR $\phi 5$ 2PIN LED		
PART NO	A	PACKAGE
EEJ-09	9.0	500



4-34-3

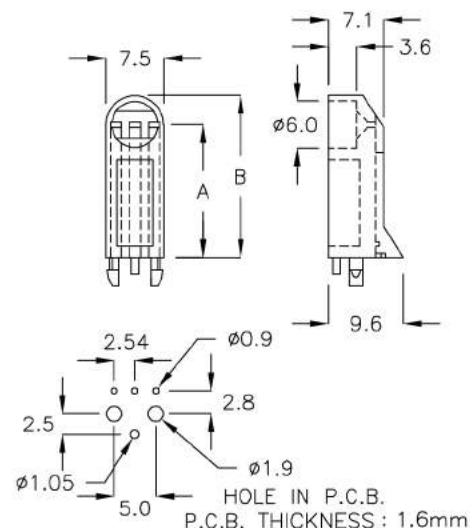


LED座 LED HOUSING

MATERIAL: NYLON 66(UL)
FLAME CLASS: 94V-2
COLOR: NATURAL

Build-in Clamp Function

FOR $\phi 5$ 3PIN LED			
PART NO	A	B	PACKAGE
EEF-17	17.0	20.9	500



LED 套, LED 座 LED HOLDER, LED HOUSING

PINGOOD

4-35-1

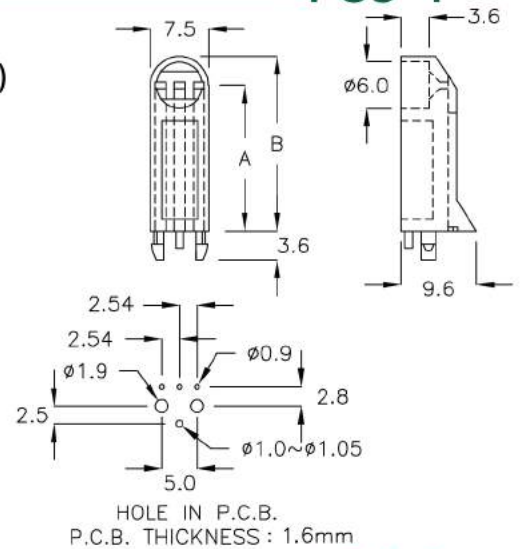
LED 座 LED HOUSING



MATERIAL: NYLON 66(UL)
FLAME CLASS: 94V-2
COLOR: NATURAL

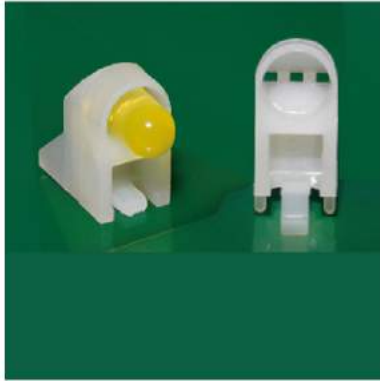
Build-in Clamp Function

FOR $\phi 5$ 3PIN LED				
PART NO	A	B	PACKAGE	
EEF-18A	18.7	22.4	500	
EEF-18C	18.4	22.1		



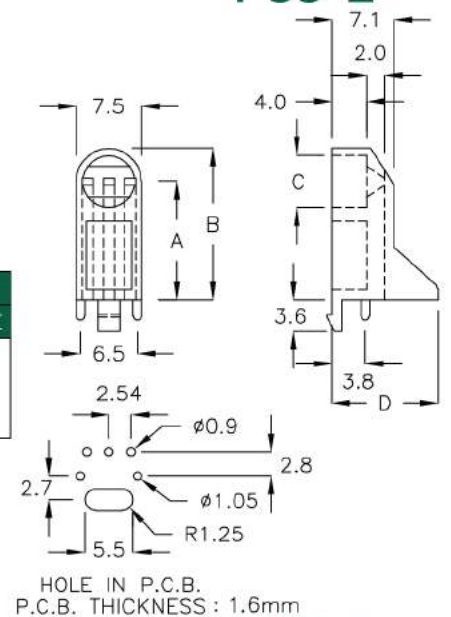
4-35-2

LED 座 LED HOUSING



MATERIAL: NYLON 66(UL)
FLAME CLASS: 94V-2
COLOR: NATURAL

FOR $\phi 5$ 3PIN LED					
PART NO	A	B	C	D	PACKAGE
LEK2-7TX	7.0	10.8	$\phi 6.2$	9.5	500
LEK2-10TX	10.0	13.8	$\phi 6.0$	12.1	
LEK2-13TX	13.5	17.3	$\phi 6.0$	12.1	



4-35-3

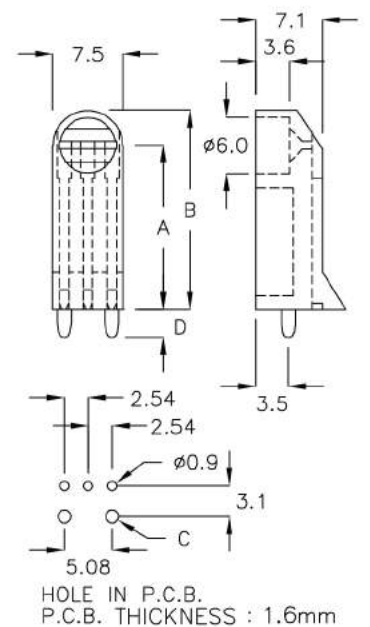
LED 座 LED HOUSING



MATERIAL: NYLON 66(UL)
FLAME CLASS: 94V-2
COLOR: NATURAL

Build-in Clamp Function

FOR $\phi 5$ 3PIN LED					
PART NO	A	B	C	D	PACKAGE
LEK2-5TW	5.0	8.75		3.0	1000
LEK2-6TW	6.0	9.95			
LEK2-7TW	7.0	10.75			
LEK2-8TW	8.0	11.75			
LEK2-9TW	9.0	12.75	$\phi 1.5$	3.0	500
LEK2-11TW	11.0	14.75			
LEK2-14TW	14.0	17.75	$\phi 1.6$	3.0	500
LEK2-15TW	15.0	18.75			
LEK2-16TW	16.0	19.75	$\phi 1.2$	3.0	500
LEK2-17TW	17.0	20.75			
LEK2-18TW	17.5	21.25	$\phi 1.5$	3.0	500
LEK2-18LTW	18.0	21.75			
LEK2-19TW	19.0	22.75	$\phi 1.6$	2.5	500
LEK2-20TW	20.0	23.75			
LEK2-11MTW	11.5	15.45	$\phi 1.2$	2.5	
LEN-05	5.0	8.75	$\phi 1.0$	3.0	1000



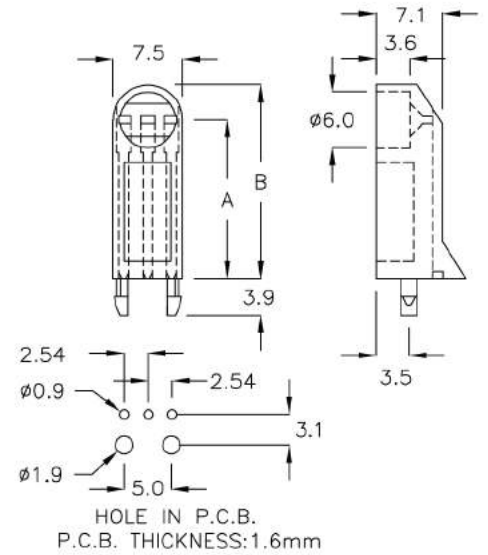


LED座 LED HOUSING

MATERIAL: NYLON 66(UL)
FLAME CLASS: 94V-2
COLOR: NATURAL

Build-in Clamp Function

FOR $\phi 5$ 3PIN LED			
PART NO	A	B	PACKAGE
LEK2-17TP	17.0	20.75	500

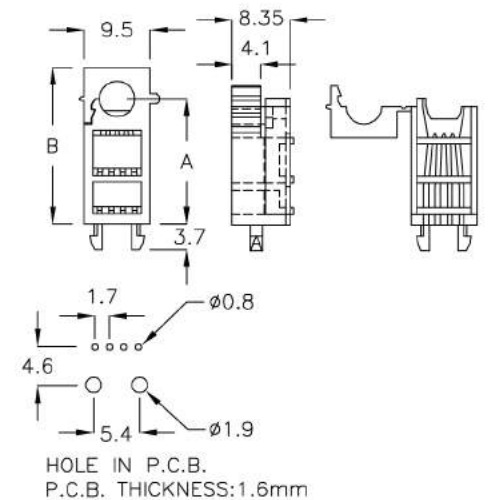


LED座 LED HOUSING

MATERIAL: NYLON 66(UL)
FLAME CLASS: 94V-0
COLOR: NATURAL

Build-in Clamp Function

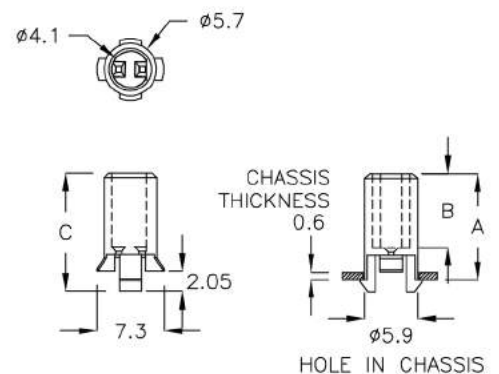
FOR $\phi 5$ 4PIN LED			
PART NO	A	B	PACKAGE
LEW-17D	17.0	21.5	500
LEW-18A	18.0	22.5	



LED座 LED HOUSING

MATERIAL: NYLON 66(UL)
FLAME CLASS: 94V-2
COLOR: BLACK

FOR $\phi 3$ 2PIN LED				
PART NO	A	B	C	PACKAGE
QLY-2A	11.45	8.0	12.8	500
QLY-7K	9.95	6.5	11.3	1000

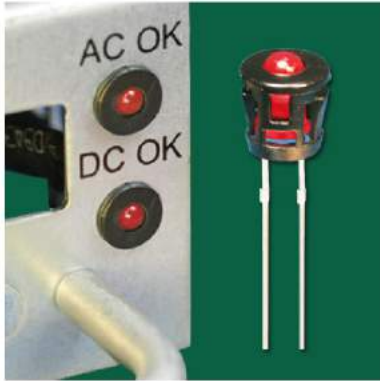


LED 套, LED 座 LED HOLDER, LED HOUSING

PINGOOD

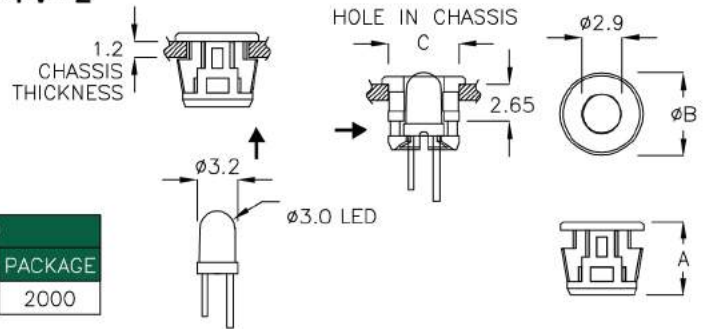
4-37-1

LED 座 LED HOUSING



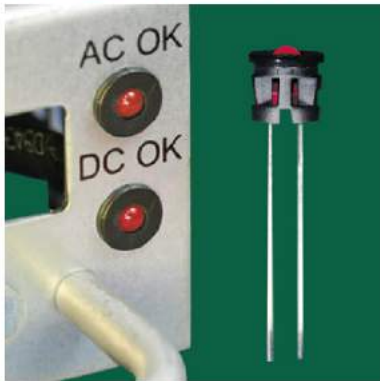
MATERIAL: NYLON 66(UL)
FLAME CLASS: 94V-2
COLOR: BLACK

FOR $\phi 3$ 2PIN LED				
PART NO	A	B	C	PACKAGE
CLED-3S	5.3	6.0	$\phi 5.2$	2000



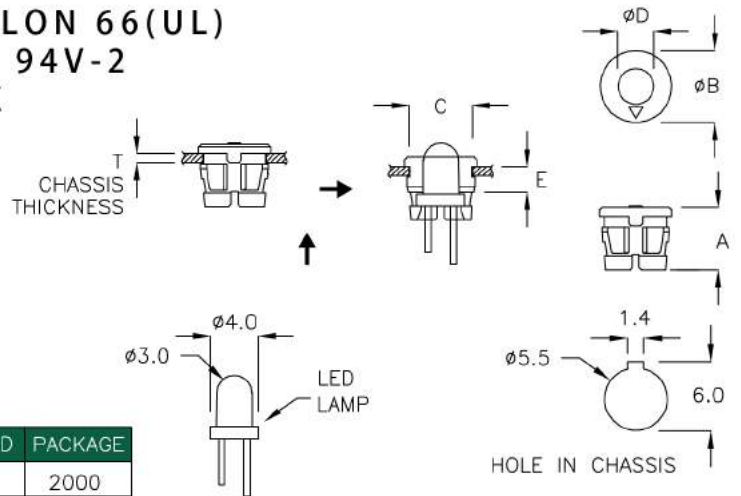
4-37-2

LED 座 LED HOUSING



MATERIAL: NYLON 66(UL)
FLAME CLASS: 94V-2
COLOR: BLACK

PART NO	A	B	C	D	E	T	FOR $\phi 3$ LED	PACKAGE
KLED-3FM	5.4	6.2	$\phi 5.5$	$\phi 3.1$	2.2	0.8	2PIN	2000



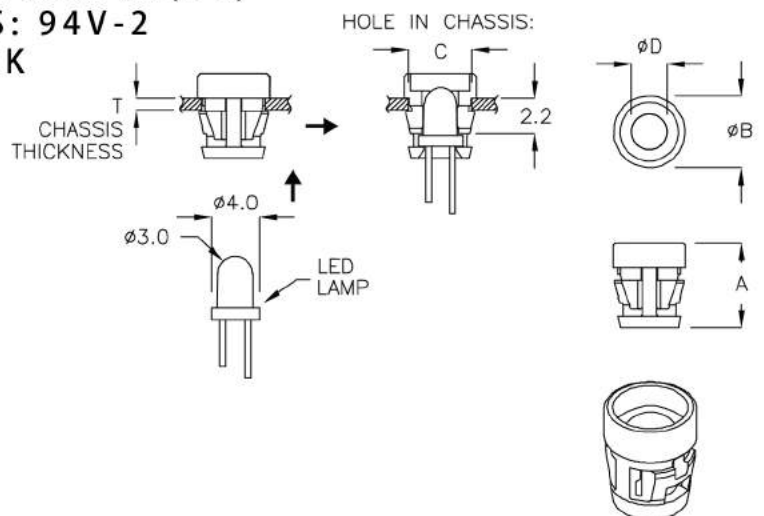
4-37-3

LED 座 LED HOUSING



MATERIAL: NYLON 66(UL)
FLAME CLASS: 94V-2
COLOR: BLACK

FOR $\phi 3$ 2PIN LED						
PART NO	A	B	C	D	T	PACKAGE
KLED-3DQ	6.7	5.6	$\phi 4.95$	$\phi 3.1$	0.8	2000



LED 套, LED 座 LED HOLDER, LED HOUSING

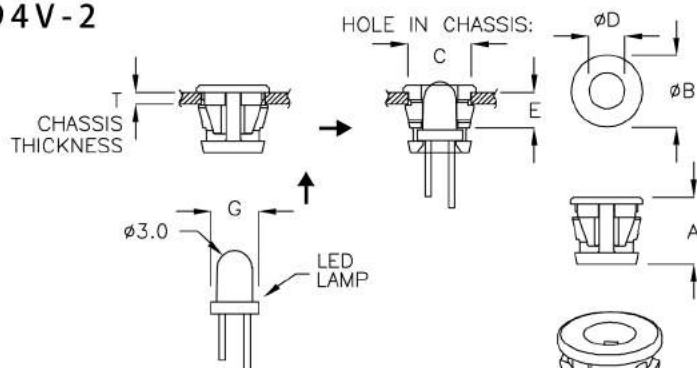
PINGOOD

4-38-1

LED 座 LED HOUSING



MATERIAL: NYLON 66(UL)
FLAME CLASS: 94V-2
COLOR: BLACK



FORM.1

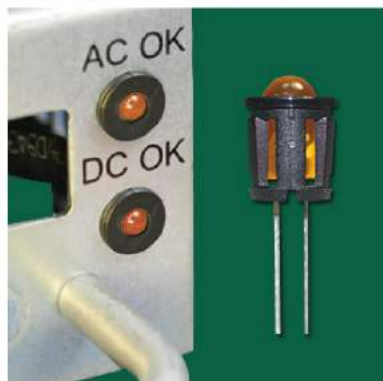


FORM.2

PART NO	A	B	C	D	E	G	T	FORM	FOR $\phi 3$ LED	PACKAGE
KLED-3A	5.6	6.0	$\phi 5.3$	$\phi 3.0$	2.95	$\phi 4.0$	1.0	1	2PIN	2000
KLED-3MK	5.6	6.0	$\phi 5.3$	$\phi 3.0$	2.95	$\phi 4.0$	0.9	1	2PIN	
KLED-3JL	5.0	5.5	$\phi 5.0$	$\phi 2.9$	1.9	$\phi 3.2$	0.8	1	2PIN	
KLED-3PH	5.2	5.6	$\phi 5.0$	$\phi 3.1$	2.2	$\phi 4.0$	0.8	1	2PIN	
KLED-3CF	5.6	5.6	$\phi 5.0$	$\phi 3.1$	2.6	$\phi 4.0$	1.0	1	2PIN	
KLED-3HS	5.2	6.0	$\phi 5.3$	$\phi 2.95$	2.55	$\phi 3.2$	0.9	1	2PIN	
KLED-3TB	5.7	6.0	$\phi 5.2$	$\phi 3.0$	2.6	$\phi 4.0$	1.0	1	2PIN	
KLED-3WT	5.7	6.0	$\phi 5.2$	$\phi 3.0$	2.8	$\phi 4.0$	1.0	1	2PIN	
KLED-3RG	5.6	6.0	$\phi 5.2$	$\phi 3.0$	2.85	$\phi 4.0$	0.8	2	3PIN	

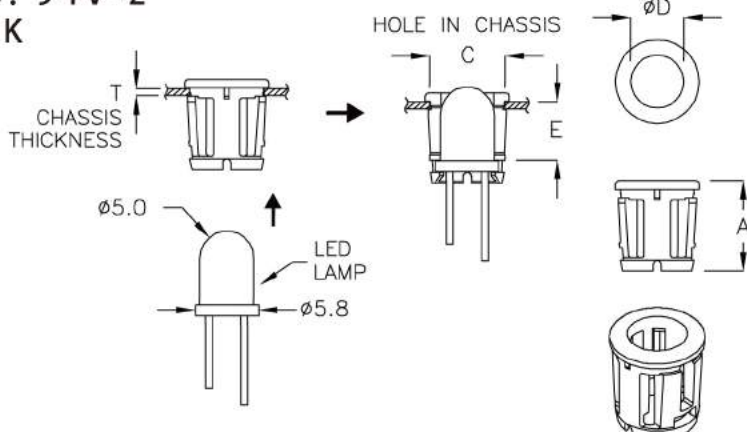
4-38-2

LED 座 LED HOUSING



MATERIAL: NYLON 66(UL)
FLAME CLASS: 94V-2
COLOR: BLACK

NEW



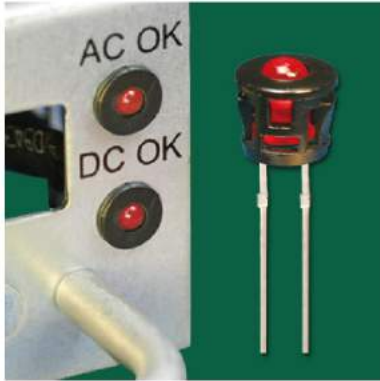
PART NO	A	B	C	D	E	T	FOR $\phi 5$ LED	PACKAGE
★ KLED-5MS	8.4	7.8	$\phi 7.0$	$\phi 4.9$	5.45	0.7	2PIN	2000

LED 套, LED 座 LED HOLDER, LED HOUSING

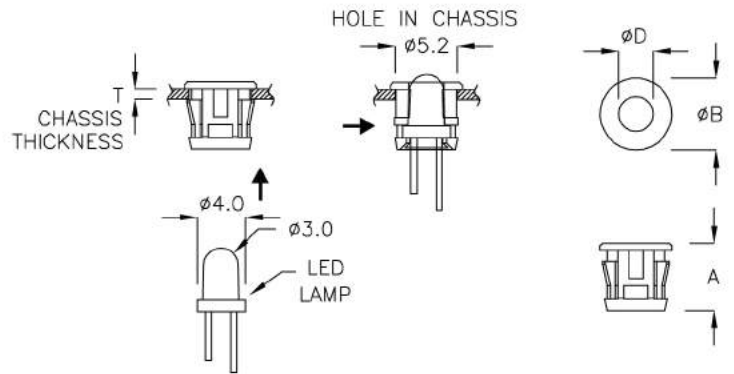
PINGOOD

4-39-1

LED 座 LED HOUSING



MATERIAL: NYLON 66(UL)
FLAME CLASS: 94V-2
COLOR: BLACK



FORM.1



FORM.2

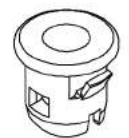
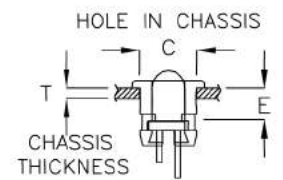
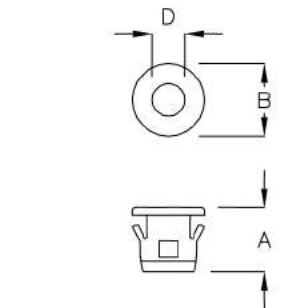
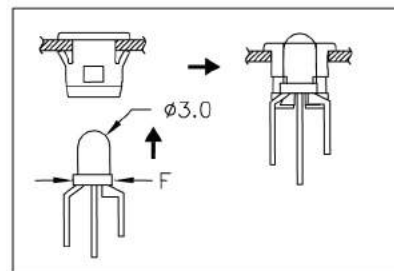
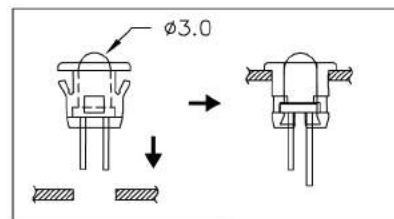
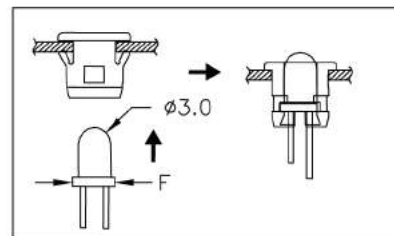
FOR ø3 2PIN or 3PIN LED							
PART NO	A	B	D	T	ø3 LED	FORM	PACKAGE
CLED-3C	5.6	6.0	ø3.0	0.8	2 PIN	1	2000
CLED-3H	5.8	6.0	ø3.0	0.9	2 PIN	1	
CLED-3K	5.6	6.0	ø2.9	0.8	3 PIN	2	
CLED-3RY	5.6	6.0	ø3.0	1.0	2 PIN	1	

LED 座 LED HOUSING

4-39-2



MATERIAL: NYLON 66(UL)
FLAME CLASS: 94V-2
COLOR: BLACK



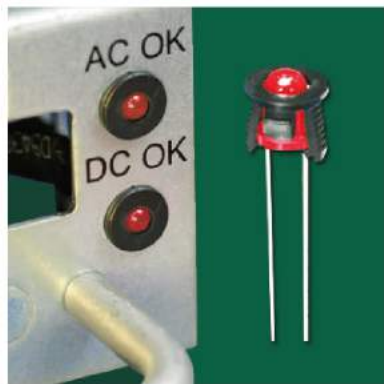
FOR ø3 2PIN or 3PIN LED								
PART NO	A	B	C	D	E	F	T	PACKAGE
MLED-3A	5.3	ø6.0	ø5.2	ø3.0	2.4	ø3.2	0.6	2000
MLED-3GS	6.0	ø6.7	ø5.3	ø3.05	3.0	ø3.8	0.8	

LED 套, LED 座 LED HOLDER, LED HOUSING

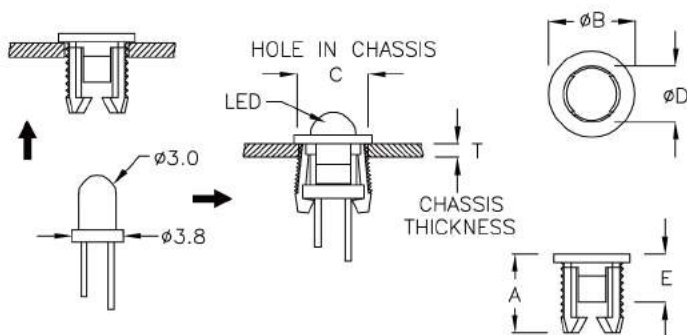
PINGOOD

4-40-1

LED 座 LED HOUSING



MATERIAL: NYLON 66(UL)
FLAME CLASS: 94V-2
COLOR: BLACK



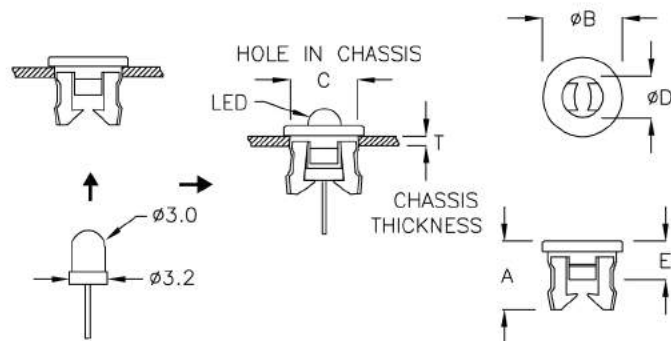
FOR ø3 2PIN LED							
PART NO	A	B	C	D	E	T	PACKAGE
CLED-1J	5.7	5.5	ø4.5	3.0	3.5	0.8	2000
CLED-1K	5.7	5.5	ø4.5	3.0	3.5	1.2	
CLED-1N	5.7	5.5	ø4.5	3.0	3.6	1.6	
CLED-3D	5.9	5.5	ø4.5	3.0	3.45	1.0	
CLED-6A	5.7	5.5	ø4.5	3.1	3.4	0.8	

4-40-2

LED 座 LED HOUSING



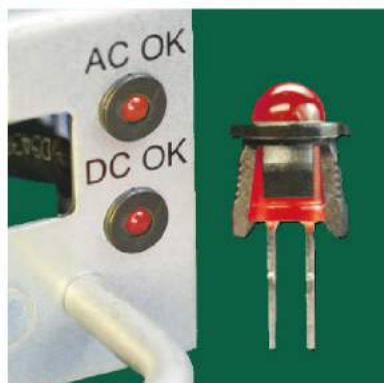
MATERIAL: PC(UL)
FLAME CLASS: 94V-2
COLOR: BLACK



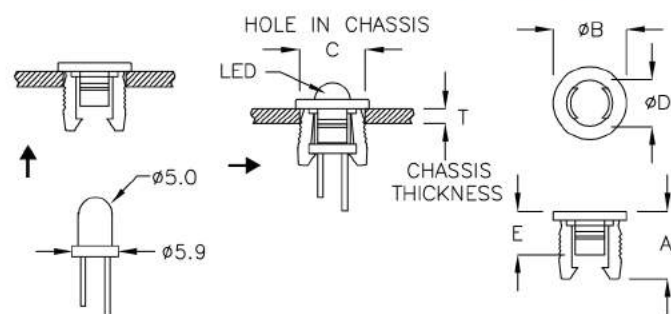
FOR ø3 2PIN LED							
PART NO	A	B	C	D	E	T	PACKAGE
CLED-3NX	4.8	5.6	ø5.0	2.95	2.7	0.8	2000

4-40-3

LED 座 LED HOUSING



MATERIAL: PC(UL)
FLAME CLASS: 94V-2
COLOR: BLACK



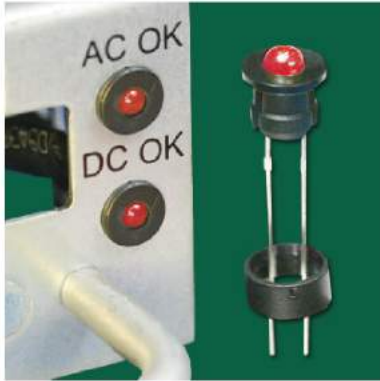
FOR ø5 2PIN LED							
PART NO	A	B	C	T CHASSIS THICKNESS	D	E	PACKAGE
CLED-1AQ	7.25	7.8	ø6.3	0.8~1.0	5.0	4.65	2000
			ø6.5	1.2~1.5			

LED套, LED座 LED HOLDER, LED HOUSING

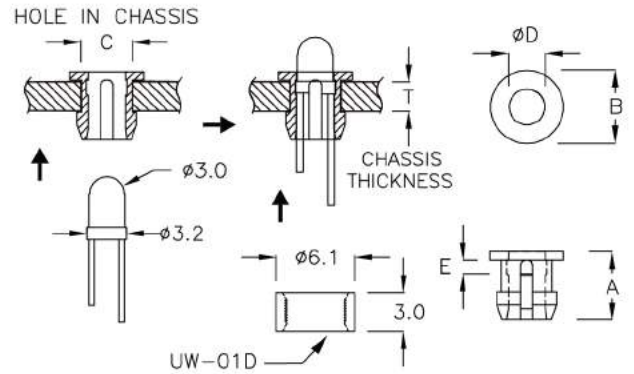
PINGOOD

4-41-1

LED座 LED HOUSING



MATERIAL: NYLON 66(UL)
FLAME CLASS: 94V-2
COLOR: BLACK



FOR $\phi 3$ 2PIN LED							
PART NO	A	B	C	D	E	T CHASSIS THICKNESS	PACKAGE
CLED-4A	5.5	$\phi 6.0$	$\phi 4.15$	3.0	1.1	0.8	2000
CLED-4D	5.6	$\phi 6.0$	$\phi 4.2$	3.0	2.7	0.8~2.5	

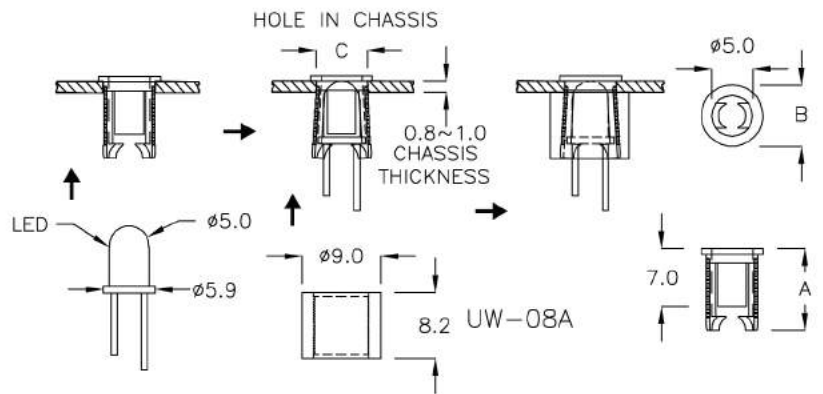
ALSO CAN ASSEMBLE WITH UW-01D(Paeg 13-21-1)

4-41-2

LED座 LED HOUSING



MATERIAL: NYLON 66(UL)
FLAME CLASS: 94V-2
COLOR: BLACK

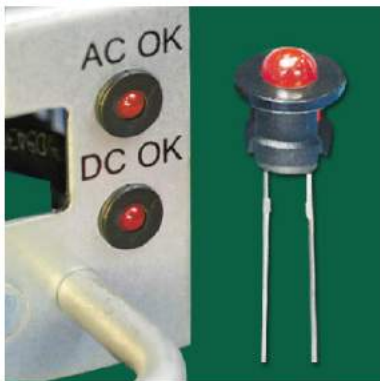


FOR $\phi 5$ 2PIN LED				
PART NO	A	B	C	PACKAGE
CLED-2K	9.9	$\phi 7.4$	$\phi 6.4$	2000

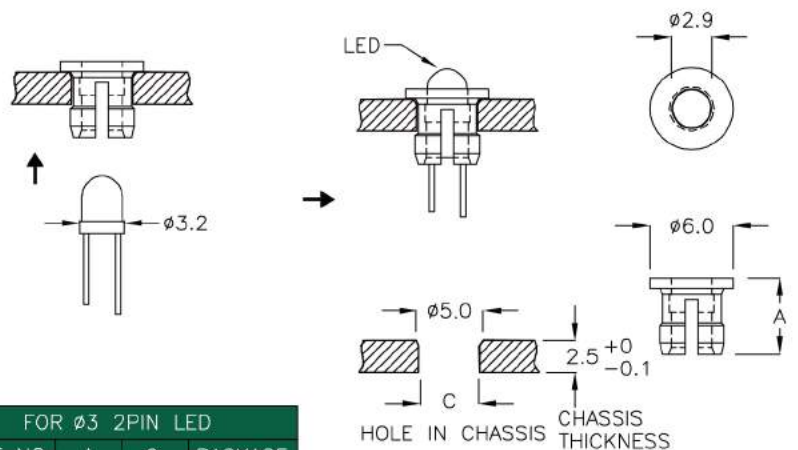
ALSO CAN ASSEMBLE WITH UW-08A(Paeg 13-21-1)

4-41-3

LED座 LED HOUSING



MATERIAL: NYLON 66(UL)
FLAME CLASS: 94V-2
COLOR: BLACK



FOR $\phi 3$ 2PIN LED			
PART NO	A	C	PACKAGE
CLED-4	5.5	$\phi 4.3$	2000

LED 套, LED 座 LED HOLDER, LED HOUSING

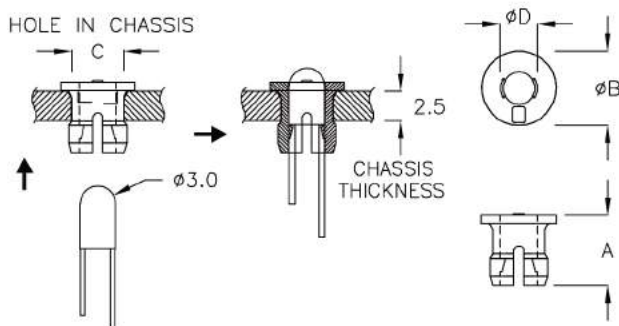
PINGOOD

4-42-1

LED 座 LED HOUSING



MATERIAL: NYLON 66(UL)
FLAME CLASS: 94V-2
COLOR: BLACK



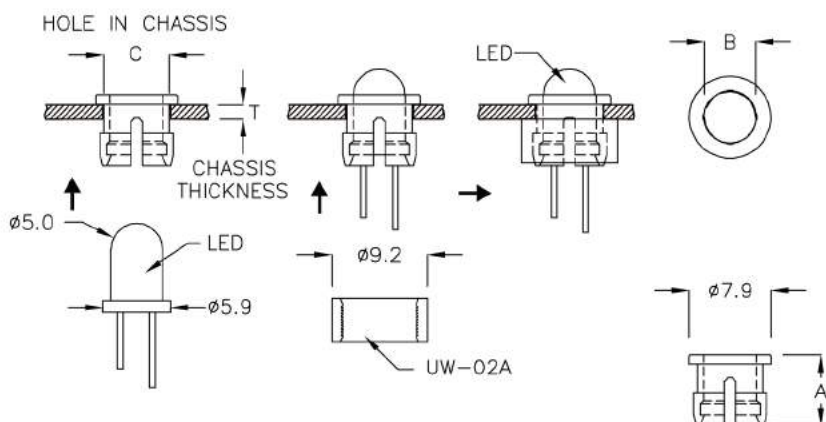
FOR $\phi 3$ 2PIN LED					
PART NO	A	B	C	D	PACKAGE
CLED-4FM	5.7	$\phi 6.0$	$\phi 4.5$	3.0	2000

4-42-2

LED 座 LED HOUSING



MATERIAL: NYLON 66(UL)
FLAME CLASS: 94V-2
COLOR: BLACK

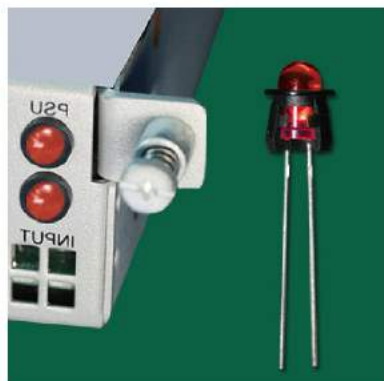


FOR $\phi 5$ 2PIN LED					
PART NO	A	B	C	T	PACKAGE
CLED-5	6.8	$\phi 5.0$	$\phi 6.4$	0.8~2.6	2000
CLED-5A	6.8	$\phi 5.1$	$\phi 6.4$	2.8	

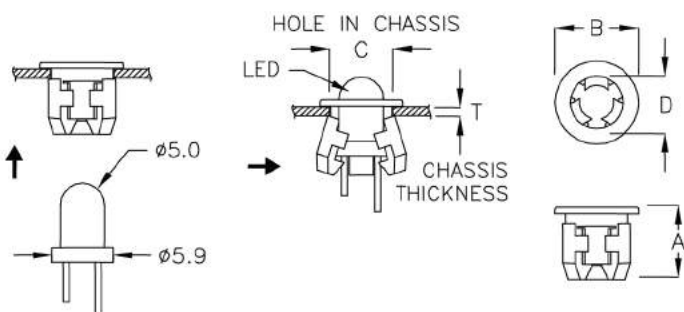
"CLED-5" ALSO CAN ASSEMBLE WITH UW-02A(Page 13-21-1)

4-42-3

LED 座 LED HOUSING



MATERIAL: NYLON 66(UL)
FLAME CLASS: 94V-2
COLOR: BLACK



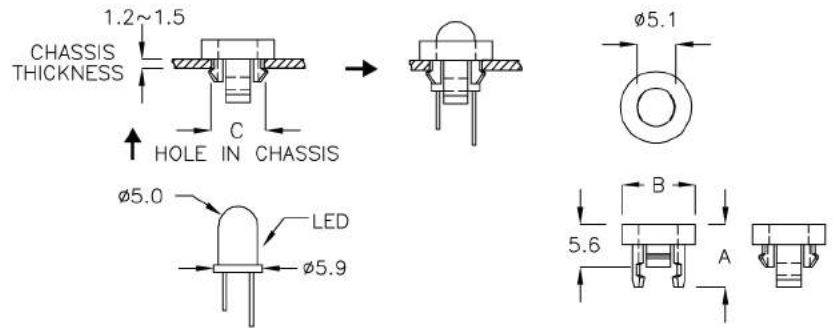
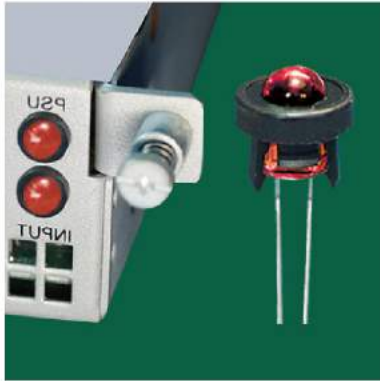
FOR $\phi 5$ 2PIN LED						
PART NO	A	B	C	T CHASSIS THICKNESS	D	PACKAGE
YLED-5GK	6.9	$\phi 8.0$	$\phi 6.0$	0.8	$\phi 5.0$	2000

LED 套, LED 座 LED HOLDER, LED HOUSING

PINGOOD

4-43-1

LED 座 LED HOUSING

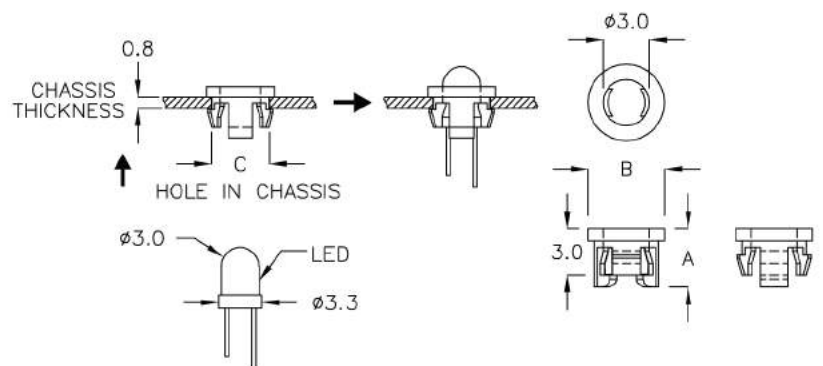
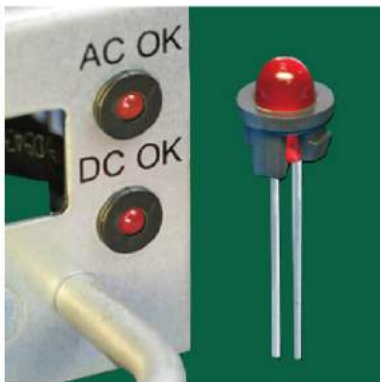


MATERIAL: NYLON 66(UL)
FLAME CLASS: 94V-2
COLOR: BLACK

FOR $\phi 5$ 2PIN or 3PIN LED				
PART NO	A	B	C	PACKAGE
CLED-1L	8.2	$\phi 9.5$	$\phi 7.0$	2000

4-43-2

LED 座 LED HOUSING

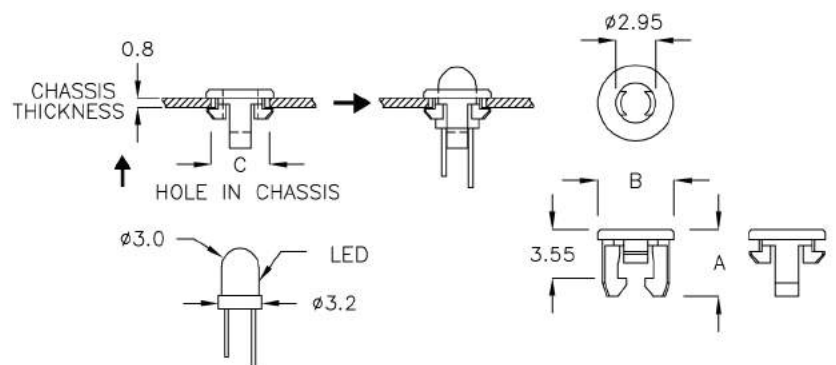


MATERIAL: NYLON 66(UL)
FLAME CLASS: 94V-2
COLOR: BLACK

FOR $\phi 3$ 2PIN or 3PIN LED				
PART NO	A	B	C	PACKAGE
CLED-2M	3.8	$\phi 5.0$	$\phi 4.3$	2000

4-43-3

LED 座 LED HOUSING



MATERIAL: NYLON 66(UL)
FLAME CLASS: 94V-2
COLOR: BLACK

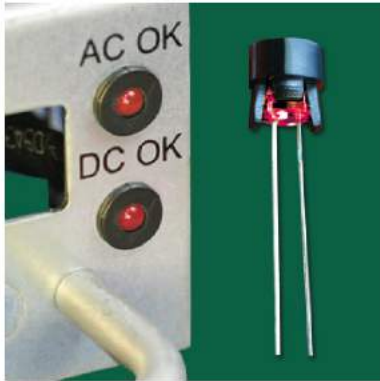
FOR $\phi 3$ 2PIN LED				
PART NO	A	B	C	PACKAGE
CLED-2AJ	4.9	$\phi 5.6$	$\phi 5.0$	2000

LED 套, LED 座 LED HOLDER, LED HOUSING

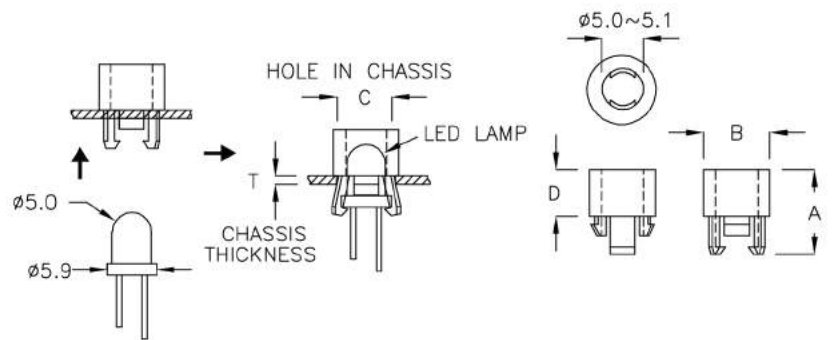
PINGOOD

4-44-1

LED 座 LED HOUSING



MATERIAL: NYLON 66(UL)
FLAME CLASS: 94V-2
COLOR: BLACK



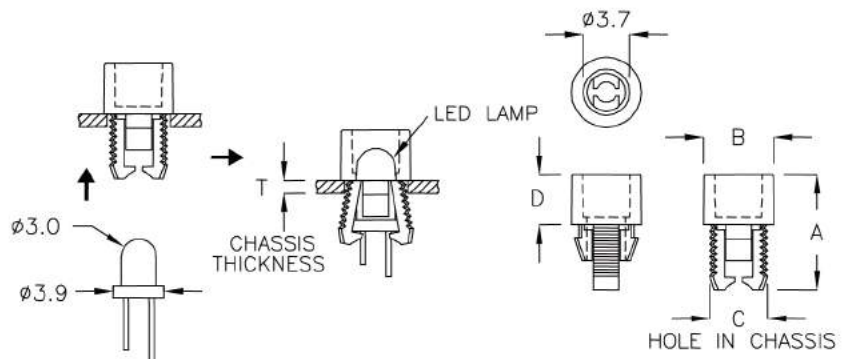
FOR ø5 2PIN or 3PIN LED						
PART NO	A	B	C	D	T CHASSIS THICKNESS	PACKAGE
CLED-1M	8.5	ø7.9	ø6.6	4.0	0.8~1.0	2000
CLED-1Q	10.3	ø7.9	ø6.5	6.1	0.8~1.0	
CLED-1R	13.8	ø7.9	ø6.5	9.6	0.8~1.0	
CLED-1FC	9.2	ø7.9	ø6.5	5.0	0.8~1.0	

4-44-2

LED 座 LED HOUSING



MATERIAL: NYLON 66(UL)
FLAME CLASS: 94V-2
COLOR: BLACK



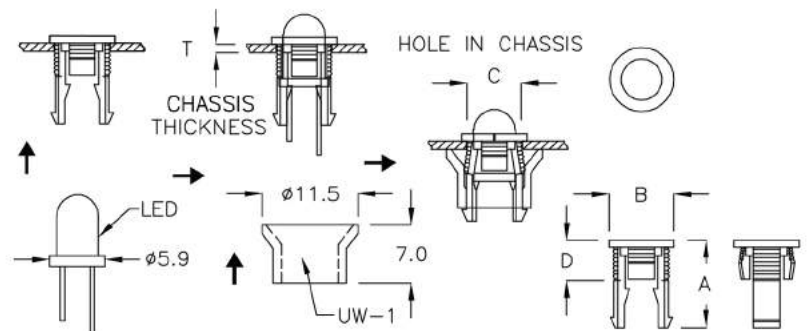
FOR ø3 2PIN or 3PIN LED						
PART NO	A	B	C	D	T CHASSIS THICKNESS	PACKAGE
CLED-1GK	9.05	ø5.5	ø4.5	3.95	0.8	2000

4-44-3

LED 座 LED HOUSING



MATERIAL: NYLON 66(UL)
FLAME CLASS: 94V-2
COLOR: BLACK



FOR ø5 2PIN LED						
PART NO	A	B	C	D	T CHASSIS THICKNESS	PACKAGE
CLED-2	10.5	ø7.8	ø6.5	4.85	1.0	2000
CLED-10YS	10.5	ø7.8	ø6.2	4.65	0.7~1.0	

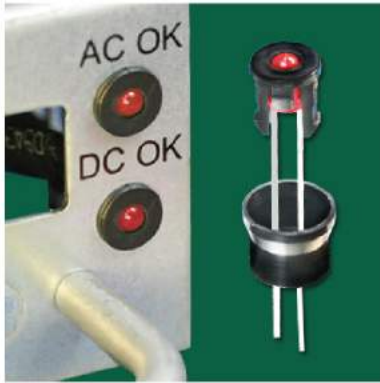
ALSO CAN ASSEMBLE WITH UW-1 (Page 13-20-1)

LED 套, LED 座 LED HOLDER, LED HOUSING

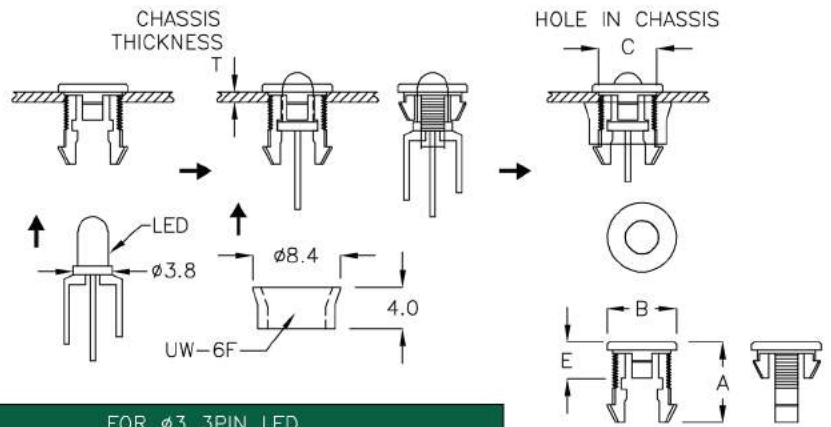
PINGOOD

4-45-1

LED 座 LED HOUSING



MATERIAL: NYLON 66(UL)
FLAME CLASS: 94V-2
COLOR: BLACK



FOR $\phi 3$ 3PIN LED						
PART NO	A	B	C	E	T	PACKAGE
CLED-6D	8.1	$\phi 6.7$	$\phi 5.7$	3.9	1.2	2000
CLED-6F	7.7	$\phi 6.7$	$\phi 5.7$	3.5	0.8	

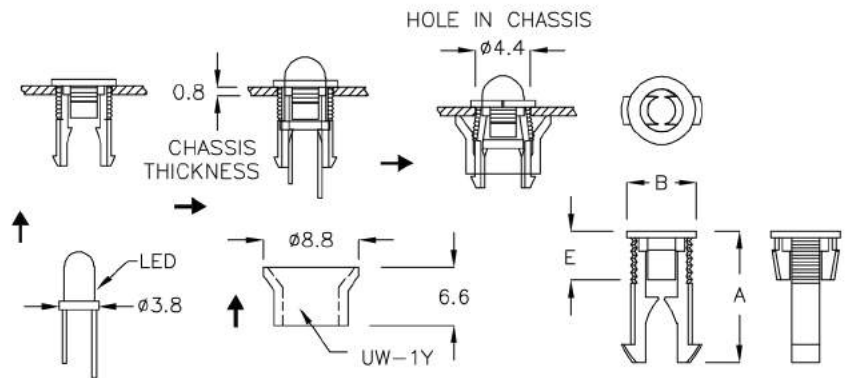
ALSO CAN ASSEMBLE WITH UW-6F (Page 13-20-2)

4-45-2

LED 座 LED HOUSING



MATERIAL: NYLON 66(UL)
FLAME CLASS: 94V-2
COLOR: BLACK



FOR $\phi 3$ 2PIN LED				
PART NO	A	B	E	PACKAGE
CLED-2P	9.35	$\phi 4.9$	3.5	2000

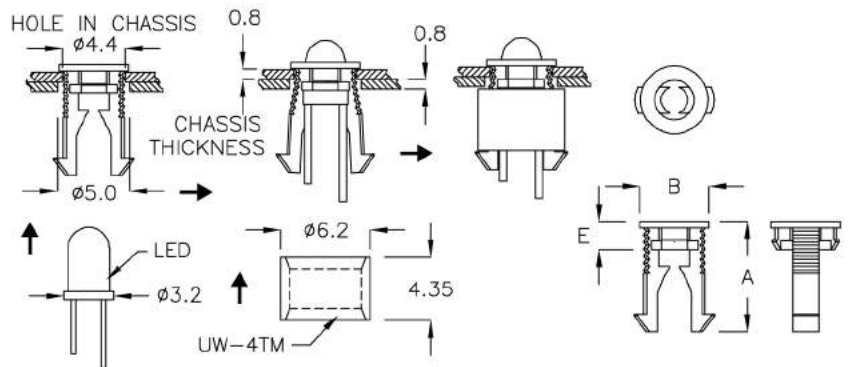
ALSO CAN ASSEMBLE WITH UW-1Y (Page 13-20-1)

4-45-3

LED 座 LED HOUSING



MATERIAL: NYLON 66(UL)
FLAME CLASS: 94V-2
COLOR: BLACK



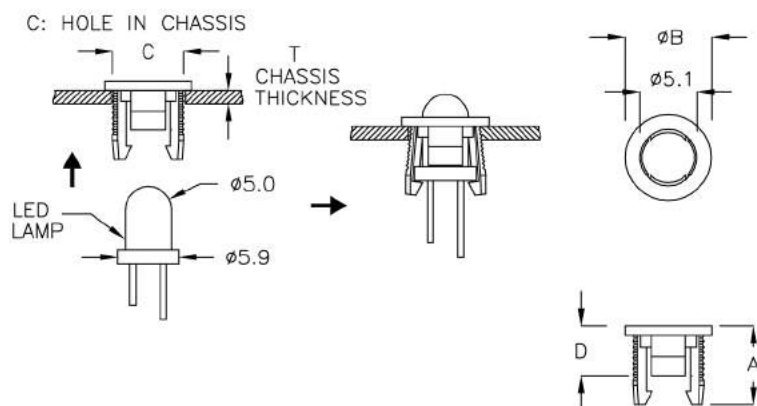
FOR $\phi 3$ 2PIN LED				
PART NO	A	B	E	PACKAGE
CLED-7WP	7.85	$\phi 4.9$	2.0	2000

ALSO CAN ASSEMBLE WITH UW-4TM (Page 13-20-3)

LED 座 LED HOUSING

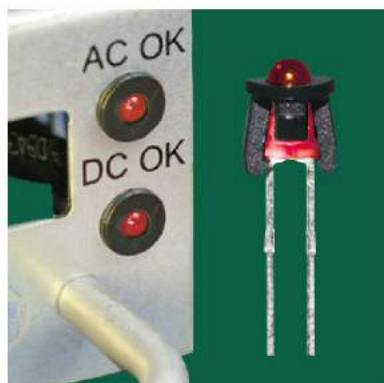


MATERIAL: NYLON 66(UL)
FLAME CLASS: 94V-2
COLOR: BLACK

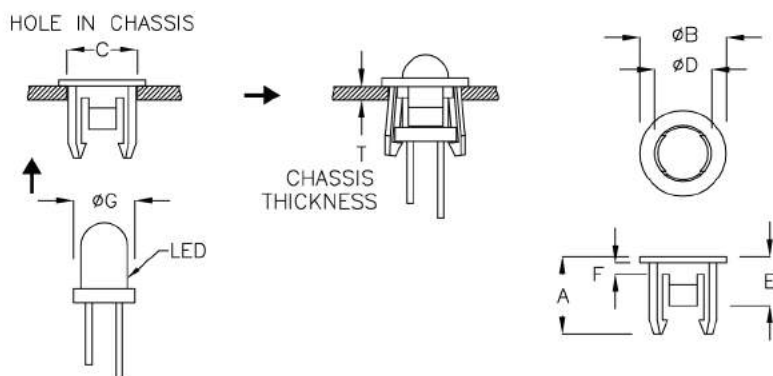


FOR ø5 2PIN LED						
PART NO	A	B	C	D	T CHASSIS THICKNESS	PACKAGE
CLED-1D	8.0	7.8	ø6.7	4.5	0.8~1.1	2000
CLED-4C	6.3	7.8	ø6.0	3.9	0.8~1.1	
CLED-6	8.1	7.8	ø7.0	4.5	0.8~0.9	

LED 座 LED HOUSING

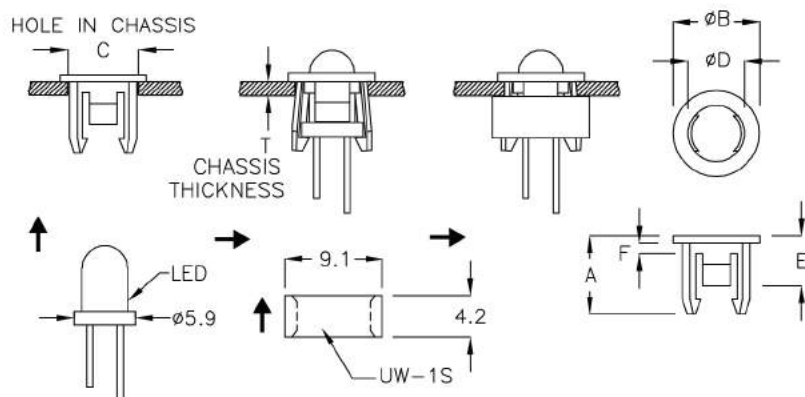
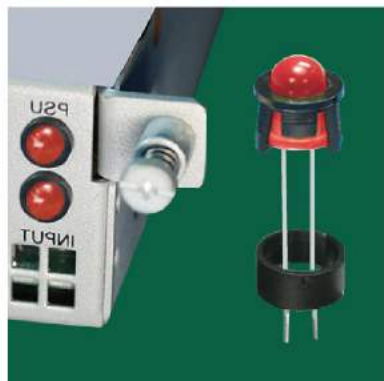


MATERIAL: NYLON 66(UL)
FLAME CLASS: 94V-2
COLOR: BLACK



FOR ø3 2PIN LED									
PART NO	A	B	C	D	E	F	T	G	PACKAGE
CLED-1H	5.0	5.5	ø5.0	3.0	3.0	0.5	1.0~1.1	ø3.9	2000
CLED-1W	5.5	5.8	ø4.7	3.0	3.0	0.5	1.2~1.3	ø3.9	
CLED-2D	5.2	5.6	ø5.0	3.0	3.1	0.3	0.8	ø3.9	
CLED-3F	6.4	5.5	ø4.5	3.0	4.2	0.4	0.8	ø3.9	
CLED-3Q	4.8	5.6	ø5.0	3.0	2.7	0.4	0.7~0.9	ø3.3~3.5	

LED座 LED HOUSING

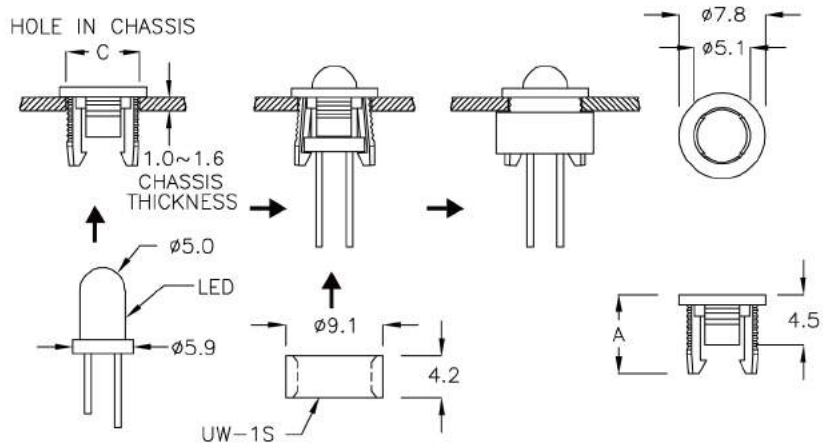
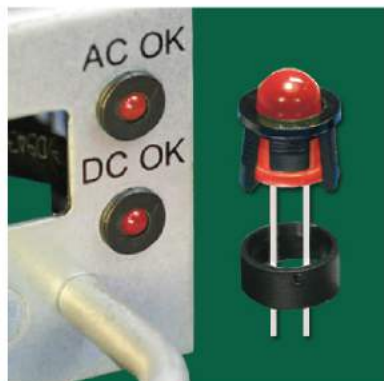


MATERIAL: NYLON 66(UL)
 FLAME CLASS: 94V-2
 COLOR: BLACK

FOR ø5 2PIN LED								PACKAGE
PART NO	A	B	C	D	E	F	T	
CLED-1S	7.0	7.8	ø6.2	5.1	4.5	1.0	1.0~1.6	2000
CLED-1T	6.9	7.8	ø6.2	5.1	4.5	1.9	1.0~1.6	
CLED-1U	7.0	7.8	ø6.2	5.1	4.5	0.2	1.0	

"CLED-1S" ALSO CAN ASSEMBLE WITH UW-1S(Page 13-20-3)

LED座 LED HOUSING



MATERIAL: NYLON 66(UL)
 FLAME CLASS: 94V-2
 COLOR: BLACK

FOR ø5 2PIN LED			PACKAGE
PART NO	A	C	
CLED-1	7.15	ø6.5	2000
CLED-1A	7.15	ø6.2	

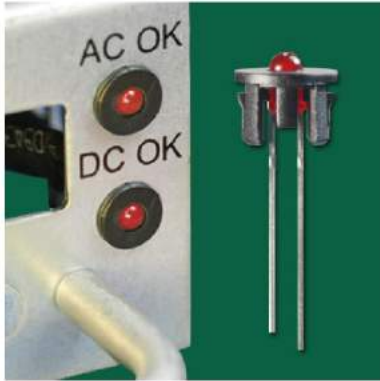
ALSO CAN ASSEMBLE WITH UW-1S(Page 13-20-3)

LED 套, LED 座 LED HOLDER, LED HOUSING

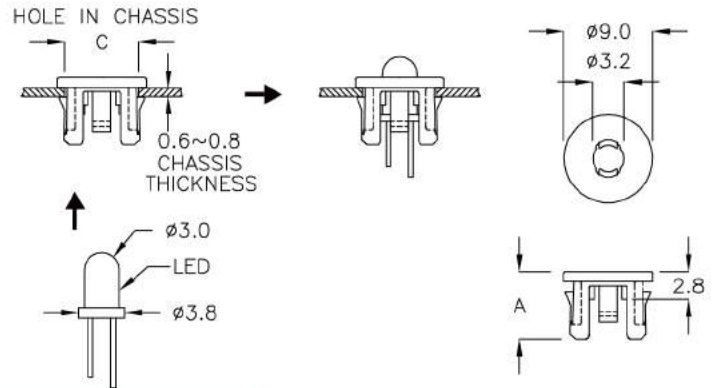
PINGOOD

4-48-1

LED 座 LED HOUSING



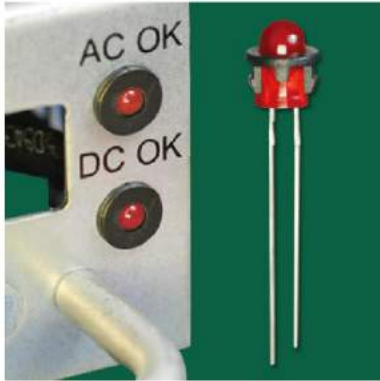
MATERIAL: NYLON 66(UL)
FLAME CLASS: 94V-2
COLOR: BLACK



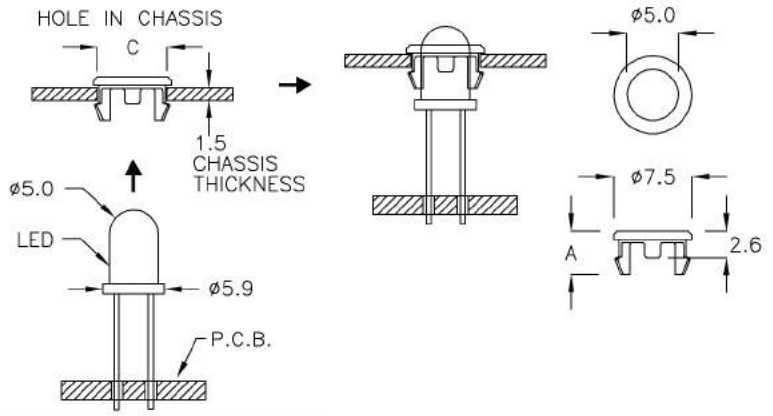
FOR $\phi 3$ 2PIN LED			
PART NO	A	C	PACKAGE
QLED-3AK	6.8	$\phi 7.6$	2000

4-48-2

LED 套 LED HOLDER



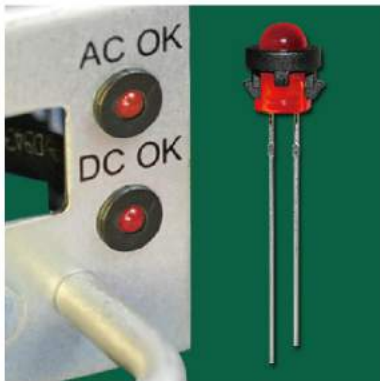
MATERIAL: NYLON 66(UL)
FLAME CLASS: 94V-2
COLOR: BLACK



FOR $\phi 5$ 2PIN LED			
PART NO	A	C	PACKAGE
FLED-5C	4.2	$\phi 6.5$	2000

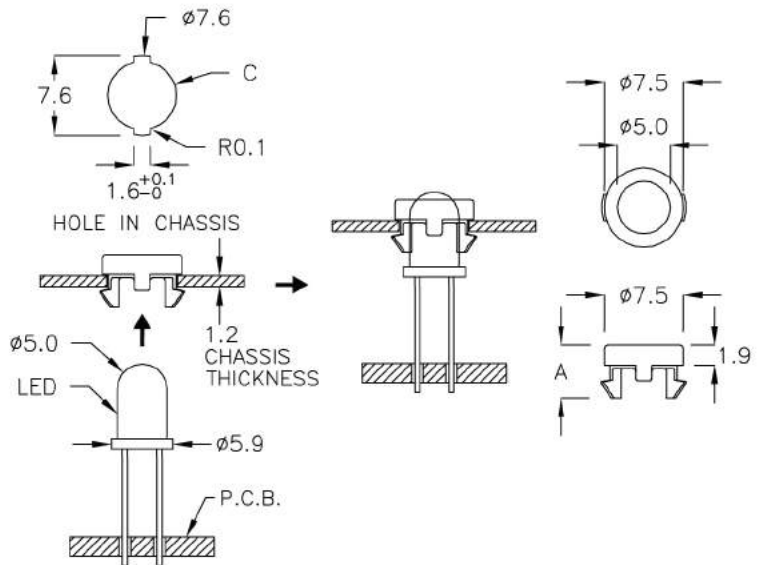
4-48-3

LED 座 LED HOUSING



NEW

MATERIAL: NYLON 66(UL)
FLAME CLASS: 94V-2
COLOR: BLACK



FOR $\phi 5$ 2PIN LED			
PART NO	A	C	PACKAGE
FLED-5HK	5.0	$\phi 6.5$	2000

LED套, LED座 LED HOLDER, LED HOUSING

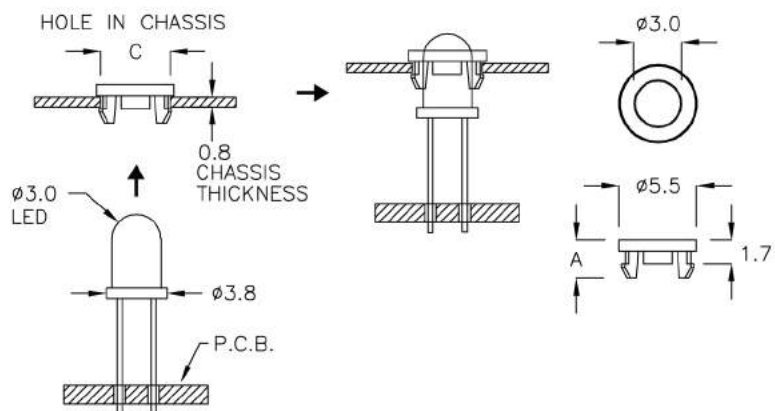
PINGOOD

4-49-1

LED套 LED HOLDER



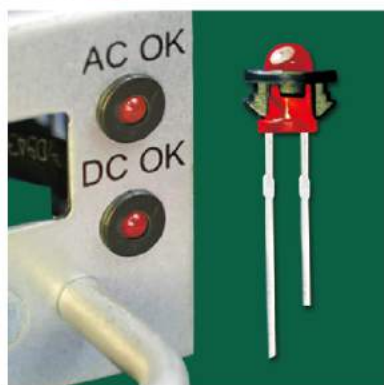
MATERIAL: NYLON 66(UL)
FLAME CLASS: 94V-2
COLOR: BLACK



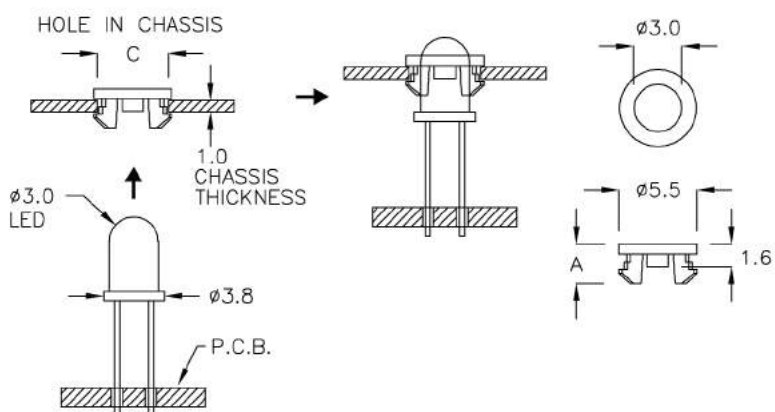
FOR ø3 2PIN LED			
PART NO	A	C	PACKAGE
CLA-03	2.7	ø4.7	2000

4-49-2

LED套 LED HOLDER



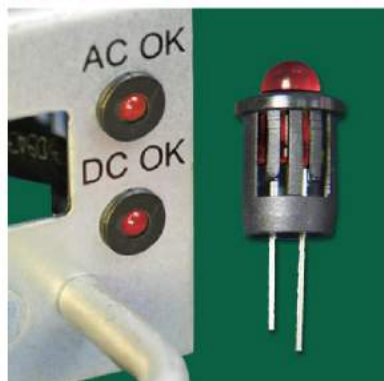
MATERIAL: NYLON 66(UL)
FLAME CLASS: 94V-2
COLOR: BLACK



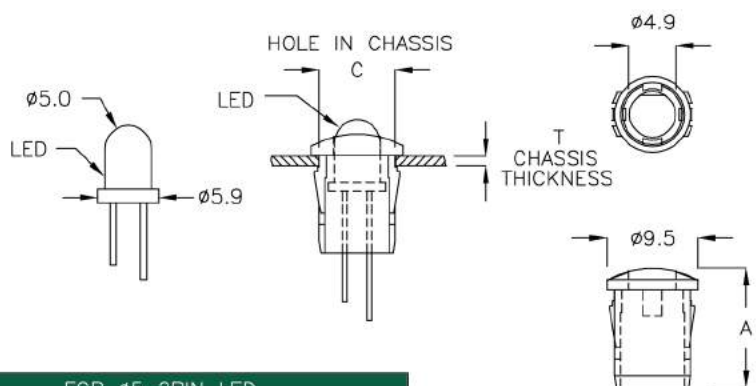
FOR ø3 2PIN LED			
PART NO	A	C	PACKAGE
CLA-3AR	2.8	ø4.9	2000

4-49-3

LED座 LED HOUSING



MATERIAL: NYLON 66(UL)
FLAME CLASS: 94V-2
COLOR: BLACK



FOR ø5 2PIN LED				
PART NO	A	C	T CHASSIS THICKNESS	PACKAGE
EEA-1C	12.2	ø8.0	0.8~1.5	2000
EEA-12D	12.2	ø8.0	2.0	

LED套, LED座 LED HOLDER, LED HOUSING

PINGOOD

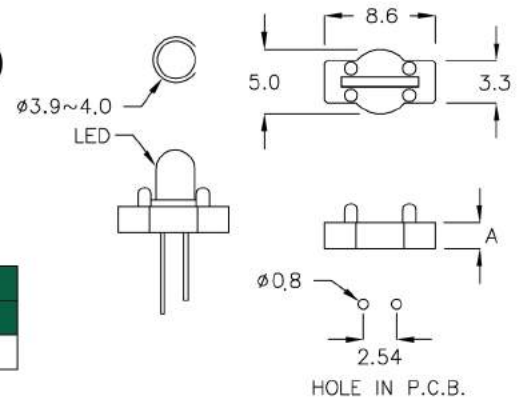
4-50-1



LED套 LED HOLDER

MATERIAL: NYLON 66(UL)
FLAME CLASS: 94V-2
COLOR: BLACK

FOR $\phi 3$ 2PIN LED		
PART NO	A	PACKAGE
LES-02	2.0	2000



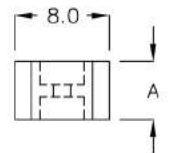
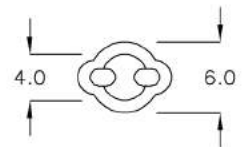
4-50-2



LED套 LED HOLDER

MATERIAL: NYLON 66(UL)
FLAME CLASS: 94V-2
COLOR: NATURAL

FOR $\phi 5$ 2PIN LED		
PART NO	A	PACKAGE
LES-5	5.0	2000



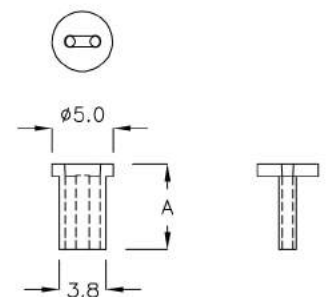
4-50-3



LED套 LED HOLDER

MATERIAL: NYLON 66(UL)
FLAME CLASS: 94V-2
COLOR: NATURAL

FOR $\phi 5$ 2PIN LED		
PART NO	A	PACKAGE
LEZ-7	7.0	2000



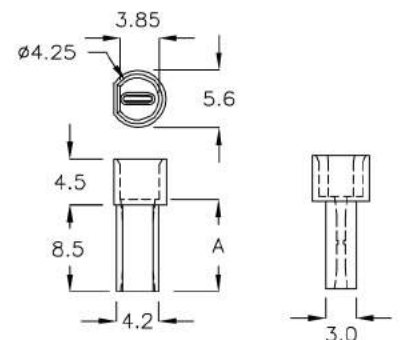
4-50-4



LED套 LED HOLDER

MATERIAL: NYLON 66(UL)
FLAME CLASS: 94V-2
COLOR: NATURAL

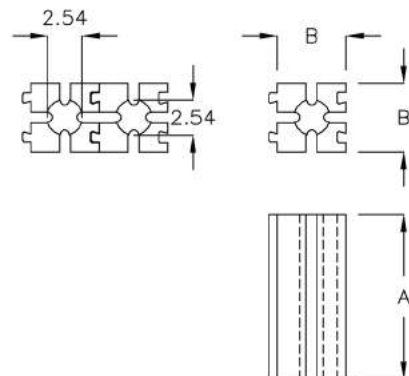
FOR $\phi 3$ 2PIN LED		
PART NO	A	PACKAGE
EQC-09	9.0	500





LED套 LED HOLDER

MATERIAL: NYLON 66(UL)
FLAME CLASS: 94V-2
COLOR: NATURAL, BLACK

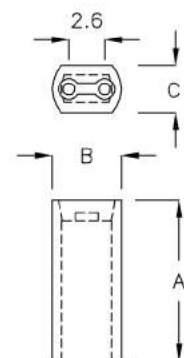


FOR $\phi 5$ 2PIN LED				
PART NO	A	B	PACKAGE	
LEDX-3	3.0	5.0	2000	
LEDX-4	4.0			
LEDX-5	5.0			
LEDX-6	6.0			
LEDX-7	7.0			
LEDX-8	8.0			
LEDX-9	9.0	5.0	1000	
LEDX-10	10.0			
LEDX-11	11.0			
LEDX-12	12.0			



LED套 LED HOLDER

MATERIAL: NYLON 66(UL)
FLAME CLASS: 94V-2
COLOR: NATURAL



FOR $\phi 5$ 2PIN LED				
PART NO	A	B	C	PACKAGE
QBF-15	15.0	5.0	3.4	1000

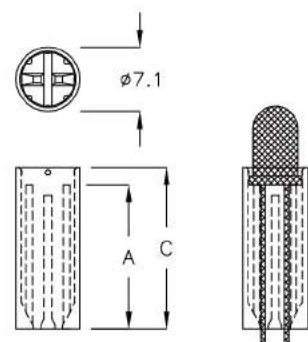


LED套 LED HOLDER

MATERIAL: NYLON 66(UL)
FLAME CLASS: 94V-2
COLOR: NATURAL

Build-in Clamp Function

FOR $\phi 5$ 2PIN LED			
PART NO	A	C	PACKAGE
LED-18	16.0	18.0	1000





LED套 LED HOLDER

MATERIAL: NYLON 66(UL)

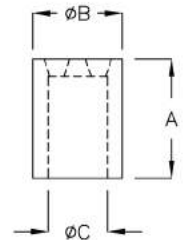
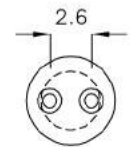
FLAME CLASS: 94V-2

COLOR: NATURAL

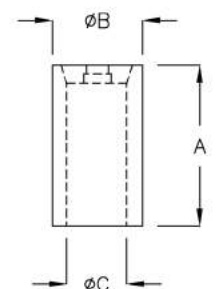
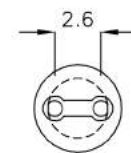
*: 表 LED 套開凹槽

*LED HOLDER WITH CONCAVE

LED 套無開槽



*LED 套開凹槽



FOR ø5 2PIN LED				
PART NO	A	B	C	PACKAGE
LED-2	2.2	5.6	3.8	2000
LED-2.5	2.6	5.9	3.8	
LED-3	3.2	5.6	3.8	
*LED-3.6	3.6	5.6	3.8	
LED-4	4.1	5.6	3.8	
*LED-4.5	4.5	5.6	3.8	
*LED-5	5.0	5.6	3.8	
*LED-6	6.0	5.6	3.8	
*LED-6S	6.0	5.7	3.8	
*LED-6.8	6.8	5.6	3.8	
LED-7.5	7.5	5.6	3.8	
*LED-8	8.0	5.6	3.8	
LED-8.8	8.8	5.6	3.8	
LED-9.8	9.8	5.6	3.8	
*LED-10A	10.0	5.9	3.9	
*LED-11A	11.0	5.8	3.8	1000
LED-12	12.0	5.8	3.9	
LED-15	15.0	5.6	3.9	
*LED-17	17.0	5.6	3.9	
LED-18.5	18.5	5.7	3.9	

FOR ø5 2PIN LED				
PART NO	A	B	C	PACKAGE
*LED-2A	2.0	5.0	3.6	2000
*LED-2.5A	2.5	5.0	3.6	
*LED-3A	3.0	5.0	3.6	
*LED-3.5	3.5	5.0	3.6	
*LED-4C	4.0	5.0	3.6	
*LED-4.5A	4.5	5.0	3.6	
*LED-5A	5.0	5.0	3.6	
*LED-5.5	5.5	5.0	3.6	
*LED-6A	6.0	5.0	3.6	
*LED-6.5A	6.5	5.0	3.6	
*LED-7	7.0	5.0	3.6	
*LED-7.5A	7.5	5.0	3.6	
*LED-7.9	7.9	5.0	3.6	
*LED-8.5A	8.5	5.0	3.6	
*LED-9	9.0	5.0	3.6	
LED-9.5	9.5	5.0	3.5	1000
*LED-10	10.0	5.0	3.5	
*LED-10.6	10.7	5.1	3.6	
LED-11	11.0	5.0	3.8	
*LED-12A	12.0	5.0	3.2	
*LED-13	13.0	5.0	3.6	
*LED-13.8	13.8	5.0	3.7	
LED-14	14.0	5.0	3.7	
*LED-14A	14.0	5.0	3.7	
*LED-15A	15.2	5.0	3.7	
*LED-16	16.0	5.0	3.7	
*LED-16A	16.4	5.0	3.7	
*LED-18B	18.3	5.1	3.5	
*LED-19	19.0	5.0	3.9	
*LED-20	20.2	5.0	3.8	
LED-21	21.0	5.1	3.8	
*LED-22	22.0	5.1	3.9	
*LED-23	23.0	5.1	3.8	
LED-24	24.0	5.8	3.9	500
LED-37	37.5	5.8	3.9	

LED套, LED座 LED HOLDER, LED HOUSING

PINGOOD

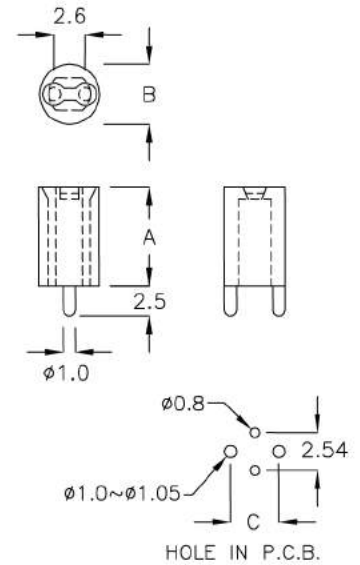
4-53-1

LED套 LED HOLDER



MATERIAL: NYLON 66(UL)
FLAME CLASS: 94V-2
COLOR: NATURAL

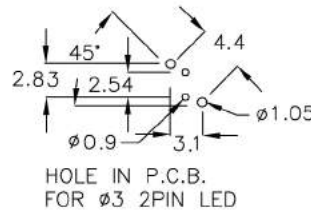
FOR $\phi 5$ 2PIN LED				
PART NO	A	B	C	PACKAGE
LED-4T	4.0	$\phi 5.0$	4.0	2000
LED-4DT	4.0	$\phi 4.2$	3.0	
LED-6T	6.0	$\phi 5.0$	4.0	
LED-7T	7.0	$\phi 5.0$	4.0	
LED-8T	8.0	$\phi 5.0$	4.0	1000
LED-10T	10.0	$\phi 5.0$	4.0	
LED-11T	11.0	$\phi 5.0$	4.0	
LED-12T	12.0	$\phi 5.0$	4.0	
LED-12AT	12.5	$\phi 5.0$	4.0	
LED-13T	13.0	$\phi 5.0$	4.0	
LED-14T	14.0	$\phi 5.0$	4.0	
★ LED-14FT	14.5	$\phi 5.0$	4.0	
LED-15T	15.0	$\phi 5.0$	4.0	
LED-17T	17.0	$\phi 5.7$	4.6	
LED-18T	18.3	$\phi 5.0$	4.0	
LED-19T	19.0	$\phi 5.0$	4.0	
LED-20T	20.0	$\phi 5.0$	4.0	500
LED-24T	24.0	$\phi 5.0$	4.0	
LED-28T	28.0	$\phi 5.0$	4.0	



LED座 LED HOUSING

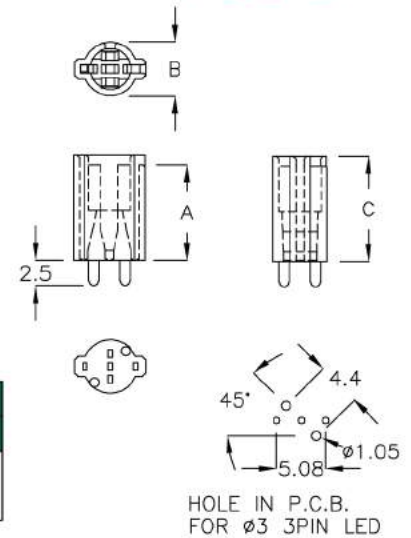


MATERIAL: NYLON 66(UL)
FLAME CLASS: 94V-2
COLOR: BLACK



Built-in Clamp Function

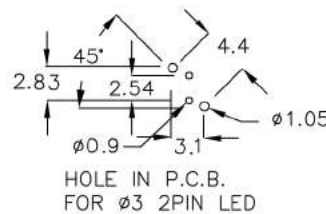
FOR $\phi 3$ 2PIN, 3PIN LED				
PART NO	A	B	C	PACKAGE
EQA-07	7.0	$\phi 5.4$	12.0	1000
EQA-11	11.0	$\phi 5.4$	12.0	



LED座 LED HOUSING

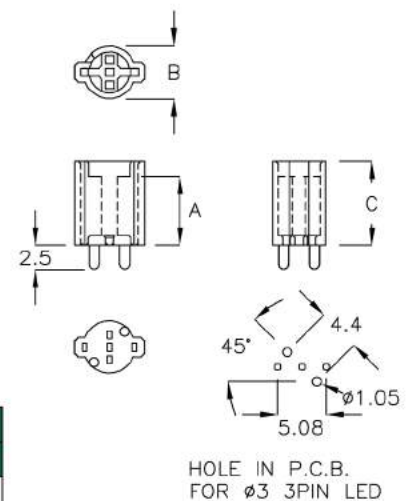


MATERIAL: NYLON 66(UL)
FLAME CLASS: 94V-2
COLOR: BLACK



Built-in Clamp Function

FOR $\phi 3$ 2PIN, 3PIN LED				
PART NO	A	B	C	PACKAGE
EQA-7PQ	7.0	$\phi 5.4$	8.5	1000



LED套, LED座 LED HOLDER, LED HOUSING

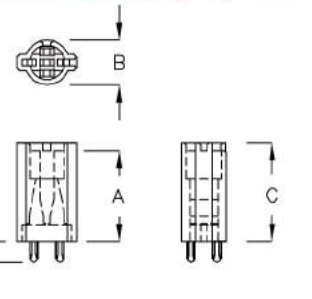
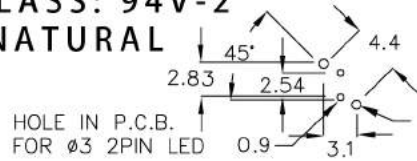
PINGOOD

4-54-1



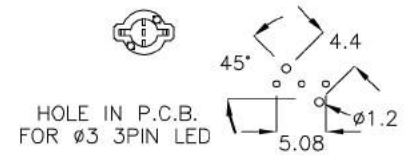
LED座 LED HOUSING

MATERIAL: NYLON 66(UL)
FLAME CLASS: 94V-2
COLOR: NATURAL



Build-in Clamp Function

FOR Ø3 2PIN, 3PIN LED				
PART NO	A	B	C	PACKAGE
EQF-19	19.0	Ø5.4	20.0	1000



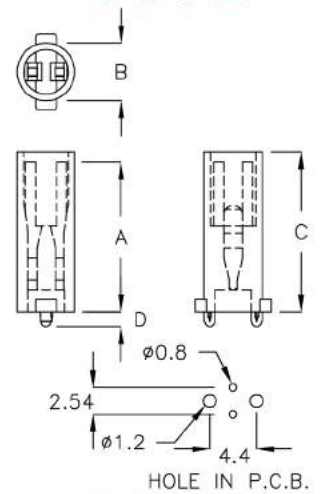
4-54-2



LED座 LED HOUSING

MATERIAL: NYLON 66(UL)
FLAME CLASS: 94V-2
COLOR: NATURAL

FOR Ø3 2PIN LED					
PART NO	A	B	C	D	PACKAGE
EQH-14	14.0	Ø5.4	15.0	1.4	1000
EQH-17	17.0	Ø5.4	18.0	1.8	
EQH-21	21.0	Ø5.4	22.0	1.8	



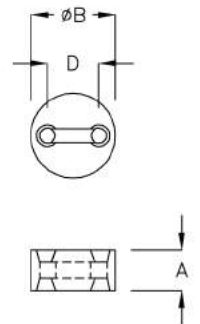
4-54-3



LED套 LED HOLDER

MATERIAL: NYLON 66(UL)
FLAME CLASS: 94V-2
COLOR: NATURAL

FOR Ø3 2PIN LED				
PART NO	A	B	D	PACKAGE
LED3-2A	2.0	4.2	2.54	2000



4-54-4

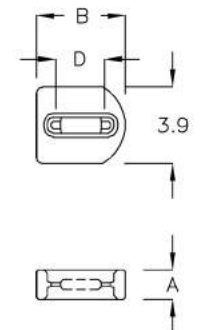


LED套 LED HOLDER

MATERIAL: NYLON 66(UL)
FLAME CLASS: 94V-2
COLOR: NATURAL

Build-in Clamp Function

FOR Ø3 2PIN LED				
PART NO	A	B	D	PACKAGE
LED3-1SQ	1.5	4.5	2.54	2000



LED套, LED座 LED HOLDER, LED HOUSING

PINGOOD

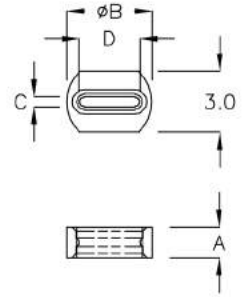
4-55-1



LED套 LED HOLDER

MATERIAL: NYLON 66(UL)
FLAME CLASS: 94V-2
COLOR: NATURAL

FOR $\phi 3$ 2PIN LED					
PART NO	A	B	C	D	PACKAGE
LED3-1D	1.5	4.2	0.5	3.0	2000
LED3-9K	9.0	4.2	0.5	3.0	



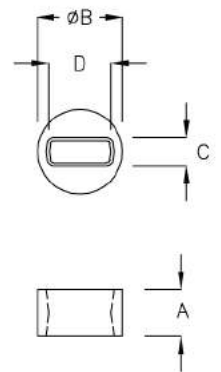
4-55-2



LED套 LED HOLDER

MATERIAL: NYLON 66(UL)
FLAME CLASS: 94V-2
COLOR: NATURAL, BLACK

FOR $\phi 3$ 2PIN LED					
PART NO	A	B	C	D	PACKAGE
LED3-1A	1.5	4.2	0.8	3.0	2000
LED3-1B	1.6	4.0	0.7	3.05	
LED3-1C	0.8	4.2	1.0	3.0	
LED3-2B	2.3	4.2	1.1	3.05	
LED3-2.5	2.5	4.1	1.2	3.05	
LED3-3B	3.2	4.2	1.0	3.05	



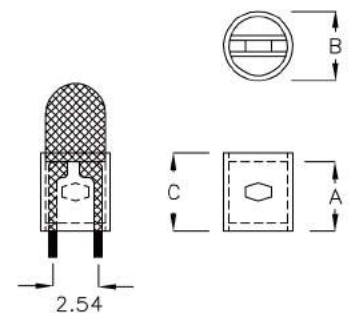
4-55-3



LED套 LED HOLDER

MATERIAL: NYLON 66(UL)
FLAME CLASS: 94V-2
COLOR: NATURAL

FOR $\phi 3$ 2PIN LED				
PART NO	A	B	C	PACKAGE
LED3-4M	4.0	$\phi 4.2$	4.5	2000



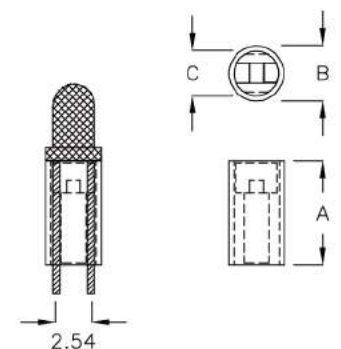
4-55-4



LED套 LED HOLDER

MATERIAL: NYLON 66(UL)
FLAME CLASS: 94V-2
COLOR: NATURAL

FOR $\phi 3$ 2PIN LED				
PART NO	A	B	C	PACKAGE
LED3-4DK	4.0	$\phi 4.0$	$\phi 3.5$	2000
LED3-6DC	6.0	$\phi 4.0$	$\phi 3.5$	
LED3-7K	7.5	$\phi 4.0$	$\phi 3.3$	



LED 套, LED 座 LED HOLDER, LED HOUSING

PINGOOD

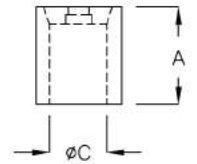
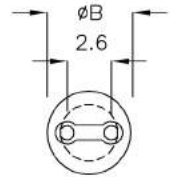
4-56-1

LED 套 LED HOLDER



MATERIAL: NYLON 66(UL)
FLAME CLASS: 94V-2
COLOR: NATURAL

FOR $\phi 3$ 2PIN LED				
PART NO	A	B	C	PACKAGE
LED-3.8	3.8	4.1	3.1	2000
LED-4A	4.1	4.1	3.1	



4-56-2

LED 套 LED HOLDER



MATERIAL: NYLON 66(UL)
FLAME CLASS: 94V-2
COLOR: NATURAL

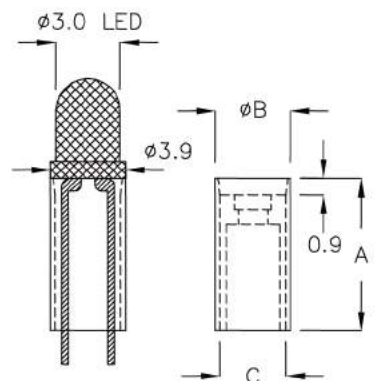
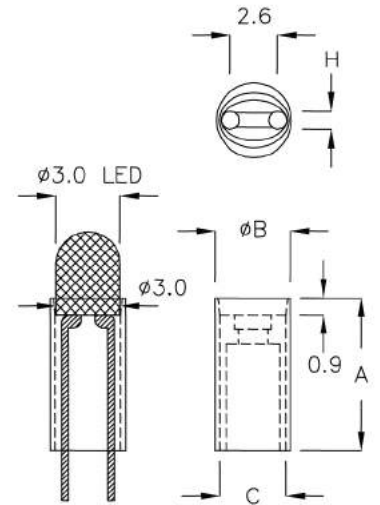
打*表LED套H:打橢圓孔

* LED HOLDER WITH AN OVAL HOLE "H"

FOR $\phi 3$ 2PIN LED				
PART NO	A	B	C	PACKAGE
LED3-3S	2.8	4.2	3.5	2000
LED3-3	3.0	4.2	3.5	
LED3-3A	3.5	4.2	3.5	
*LED3-4	4.0	4.2	3.5	
LED3-4A	4.5	4.2	3.5	
LED3-5	5.0	4.2	3.5	
LED3-5B	5.5	4.2	3.5	
LED3-6	6.1	4.2	3.5	
*LED3-6B	6.5	4.2	3.5	
LED3-7	7.0	4.2	3.5	
LED3-7B	7.6	4.2	3.5	
LED3-8	8.0	4.2	3.6	
LED3-8B	8.5	4.2	3.6	
LED3-9	9.0	4.2	3.6	
LED3-9A	9.2	4.2	3.6	
LED3-9B	9.5	4.2	3.6	
LED3-10	10.0	4.2	3.6	
LED3-11	11.1	4.2	3.5	
LED3-12	12.0	4.2	3.5	
*LED3-12B	12.5	4.2	3.6	
LED3-13	13.0	4.2	3.5	
LED3-14	14.0	4.2	3.6	
*LED3-15	15.0	4.2	3.5	
LED3-15A	15.0	4.1	3.6	
LED3-16	16.0	4.2	3.5	
*LED3-17	17.0	4.2	3.5	
LED3-18	18.0	4.2	3.5	
*LED3-18B	18.5	4.2	3.5	
LED3-19	19.0	4.2	3.5	
*LED3-20	20.0	4.2	3.5	
*LED3-21	21.0	4.2	3.5	
*LED3-22	22.0	4.2	3.5	
LED3-23	23.0	4.2	3.5	
LED3-25	25.0	4.4	3.5	

2000

1000



LED 套, LED 座 LED HOLDER, LED HOUSING

PINGOOD

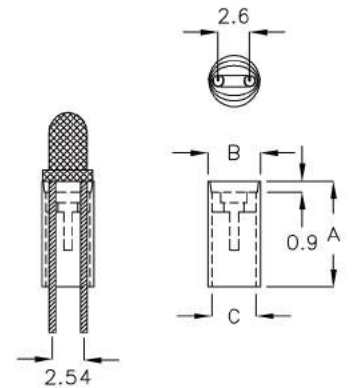
4-57-1



LED 套 LED HOLDER

MATERIAL: NYLON 66(UL)
FLAME CLASS: 94V-2
COLOR: NATURAL

FOR $\phi 3$ 2PIN LED				
PART NO	A	B	C	PACKAGE
LED3-8F	8.5	$\phi 4.2$	$\phi 3.6$	2000



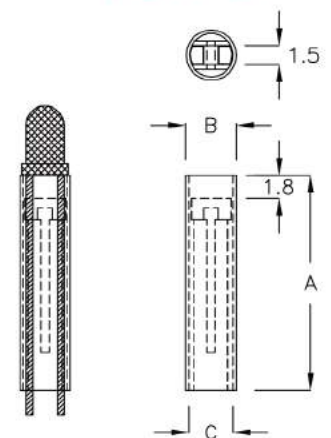
4-57-2



LED 套 LED HOLDER

MATERIAL: NYLON 66(UL)
FLAME CLASS: 94V-2
COLOR: NATURAL

FOR $\phi 3$ 2PIN LED				
PART NO	A	B	C	PACKAGE
LED3-17K	17.1	$\phi 4.0$	$\phi 3.5$	1000



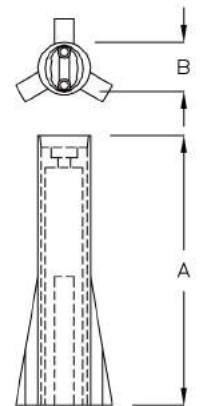
4-57-3



LED 套 LED HOLDER

MATERIAL: NYLON 66(UL)
FLAME CLASS: 94V-2
COLOR: NATURAL

FOR $\phi 3$ 2PIN LED			
PART NO	A	B	PACKAGE
LED3-21F	21.0	$\phi 4.2$	1000



4-57-4

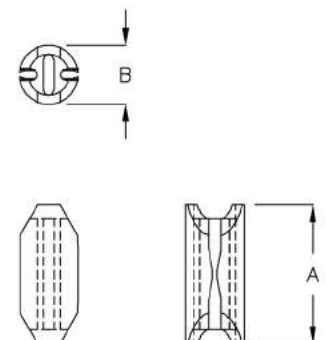


LED 套 LED HOLDER

MATERIAL: NYLON 66(UL)
FLAME CLASS: 94V-2
COLOR: NATURAL

Build-in Clamp Function

FOR $\phi 3$ 2PIN LED			
PART NO	A	B	PACKAGE
EET-10	10.0	$\phi 4.25$	2000



LED套, LED座 LED HOLDER, LED HOUSING

PINGOOD

4-58-1

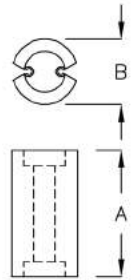
LED套 LED HOLDER



MATERIAL: NYLON 66(UL)
FLAME CLASS: 94V-2
COLOR: NATURAL, BLACK

Build-in Clamp Function

FOR $\phi 3$ & $\phi 5$ 2PIN LED			
PART NO	A	B	PACKAGE
EDG-10	10.0	$\phi 5.2$	2000



4-58-2

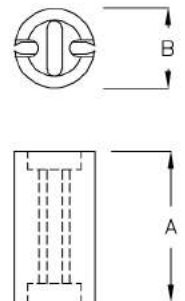
LED套 LED HOLDER



MATERIAL: NYLON 66(UL)
FLAME CLASS: 94V-2
COLOR: NATURAL, BLACK

Build-in Clamp Function

FOR $\phi 3$ & $\phi 5$ 2PIN LED			
PART NO	A	B	PACKAGE
EDP-02	2.0	$\phi 4.25$	2000
EDP-3M	3.5	$\phi 4.25$	
EDP-04	4.0	$\phi 4.25$	
EDP-4A	4.5	$\phi 4.25$	
EDP-05	5.0	$\phi 4.25$	
EDP-5A	5.5	$\phi 4.25$	
EDP-06	6.0	$\phi 4.25$	
EDP-6A	6.5	$\phi 4.25$	
EDP-07	7.0	$\phi 4.25$	
EDP-7A	7.5	$\phi 4.25$	
EDP-08	8.0	$\phi 4.25$	
EDP-8A	8.5	$\phi 4.25$	
EDP-09	9.0	$\phi 4.25$	
EDP-9A	9.5	$\phi 4.25$	
EDP-10	10.0	$\phi 4.25$	
EDP-10A	10.5	$\phi 4.25$	
EDP-11	11.0	$\phi 4.25$	
EDP-11A	11.5	$\phi 4.25$	
EDP-12	12.0	$\phi 4.25$	
EDP-12A	12.5	$\phi 4.25$	
EDP-17	17.0	$\phi 4.25$	



4-58-3

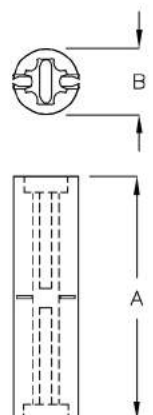
LED套 LED HOLDER



MATERIAL: NYLON 66(UL)
FLAME CLASS: 94V-2
COLOR: NATURAL, BLACK

Build-in Clamp Function

FOR $\phi 3$ & $\phi 5$ 2PIN LED			
PART NO	A	B	PACKAGE
EDP-23	23.0	$\phi 4.25$	1000

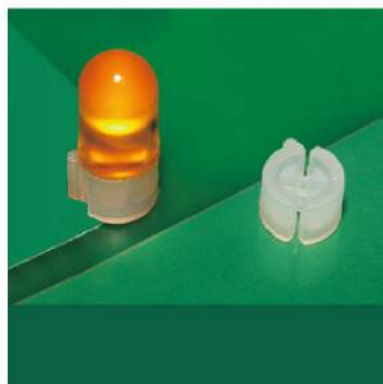


LED套, LED座 LED HOLDER, LED HOUSING

PINGOOD

4-59-1

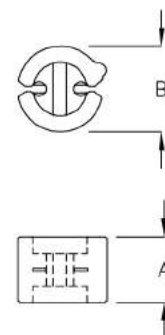
LED套 LED HOLDER



MATERIAL: NYLON 66(UL)
FLAME CLASS: 94V-2
COLOR: NATURAL, BLACK

Built-in Clamp Function

FOR $\phi 3$ & $\phi 5$ 2PIN LED			
PART NO	A	B	PACKAGE
EDD-4FQ	4.0	$\phi 5.2$	2000



4-59-2

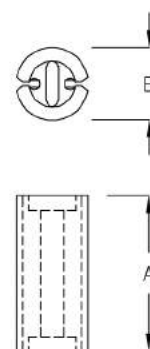
LED套 LED HOLDER



MATERIAL: NYLON 66(UL)
FLAME CLASS: 94V-2
COLOR: NATURAL, BLACK

Built-in Clamp Function

FOR $\phi 3$ & $\phi 5$ 2PIN LED			
PART NO	A	B	PACKAGE
EDG-02	2.0	$\phi 5.2$	2000
EDG-3M	3.5	$\phi 5.2$	
EDG-04	4.0	$\phi 5.2$	
EDG-4A	4.5	$\phi 5.2$	
EDG-05	5.0	$\phi 5.2$	
EDG-5A	5.5	$\phi 5.2$	
EDG-06	6.0	$\phi 5.2$	
EDG-6A	6.5	$\phi 5.2$	
EDG-07	7.0	$\phi 5.2$	
EDG-7A	7.5	$\phi 5.2$	
EDG-08	8.0	$\phi 5.2$	
EDG-8A	8.5	$\phi 5.2$	
EDG-09	9.0	$\phi 5.2$	
EDG-9A	9.5	$\phi 5.2$	
EDG-10A	10.0	$\phi 5.2$	
EDG-10C	10.5	$\phi 5.2$	
EDG-11	11.0	$\phi 5.2$	
EDG-11A	11.5	$\phi 5.2$	
EDG-12	12.0	$\phi 5.2$	
EDG-12A	12.5	$\phi 5.2$	



4-59-3

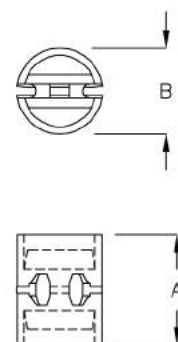
LED套 LED HOLDER



MATERIAL: NYLON 66(UL)
FLAME CLASS: 94V-2
COLOR: NATURAL, BLACK

Built-in Clamp Function

FOR $\phi 3$ 3PIN LED			
PART NO	A	B	PACKAGE
ECW-06	7.0	$\phi 5.4$	2000



LED 套, LED 座 LED HOLDER, LED HOUSING

PINGOOD

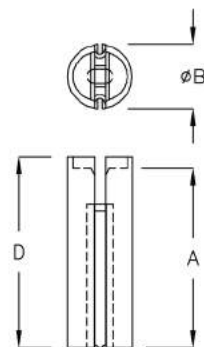
4-60-1



LED 套 LED HOLDER

MATERIAL: NYLON 66(UL)
FLAME CLASS: 94V-2
COLOR: BLACK

FOR $\phi 3$ 3PIN LED				
PART NO	A	B	D	PACKAGE
EEP-15	15.0	$\phi 5.4$	16.0	2000



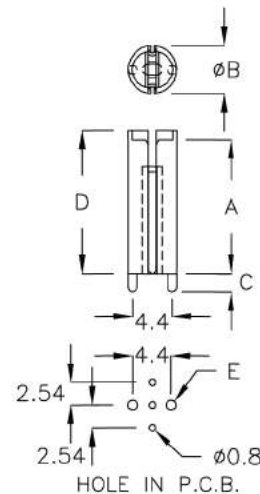
4-60-2



LED 套 LED HOLDER

MATERIAL: NYLON 66(UL)
FLAME CLASS: 94V-2
COLOR: BLACK

FOR $\phi 3$ 3PIN LED						
PART NO	A	B	C	D	E	PACKAGE
EEG-08	7.0	$\phi 5.4$	1.5	8.0	$\phi 1.05$	2000
EEG-15	15.0	$\phi 5.4$	2.0	16.0	$\phi 1.10$	1000



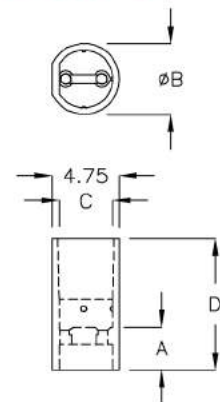
4-60-3



LED 套 LED HOLDER

MATERIAL: NYLON 66(UL)
FLAME CLASS: 94V-2
COLOR: BLACK

FOR $\phi 3$ 2PIN LED					
PART NO	A	B	C	D	PACKAGE
QLW-02	2.0	$\phi 5.0$	$\phi 4.1$	7.9	2000
QLW-2A	2.0	$\phi 5.0$	$\phi 4.1$	6.6	
QLW-03	4.5	$\phi 5.0$	$\phi 4.1$	10.0	



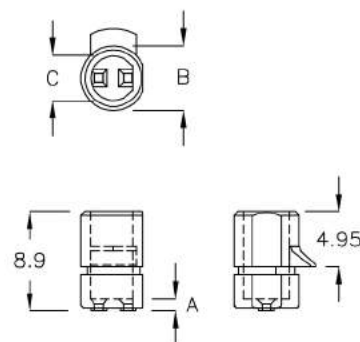
4-60-4



LED 套 LED HOLDER

MATERIAL: NYLON 66(UL)
FLAME CLASS: 94V-2
COLOR: BLACK

FOR $\phi 3$ 2PIN LED				
PART NO	A	B	C	PACKAGE
QQA-3AD	1.1	$\phi 5.8$	$\phi 4.1$	2000



LED套, LED座 LED HOLDER, LED HOUSING

PINGOOD

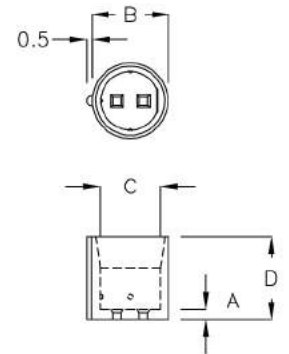
4-61-1



LED套 LED HOLDER

MATERIAL: NYLON 66(UL)
FLAME CLASS: 94V-2
COLOR: BLACK

FOR $\phi 5$ 2PIN LED					
PART NO	A	B	C	D	PACKAGE
QLS-1A	1.0	$\phi 7.4$	$\phi 5.9$	8.0	2000



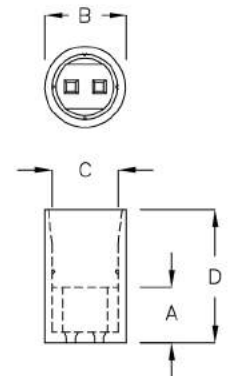
4-61-2



LED套 LED HOLDER

MATERIAL: NYLON 66(UL)
FLAME CLASS: 94V-2
COLOR: BLACK

FOR $\phi 5$ 2PIN LED					
PART NO	A	B	C	D	PACKAGE
QLS-05	5.0	$\phi 7.4$	$\phi 6.0$	12.0	2000



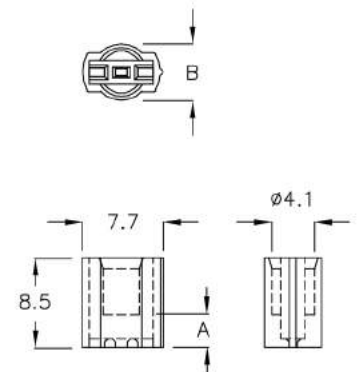
4-61-3



LED套 LED HOLDER

MATERIAL: NYLON 66(UL)
FLAME CLASS: 94V-2
COLOR: BLACK

FOR $\phi 3$ 3PIN LED			
PART NO	A	B	PACKAGE
QBU-03	3.1	$\phi 5.4$	2000



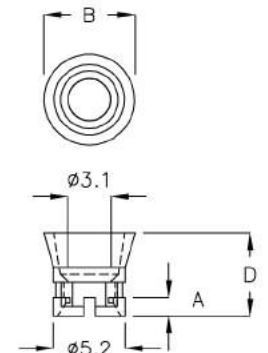
4-61-4



LED套 LED HOLDER

MATERIAL: NYLON 66(UL)
FLAME CLASS: 94V-2
COLOR: BLACK

FOR $\phi 3$ 3PIN LED				
PART NO	A	B	D	PACKAGE
QLH-01	1.35	$\phi 6.6$	6.0	2000



LED套, LED座 LED HOLDER, LED HOUSING

PINGOOD

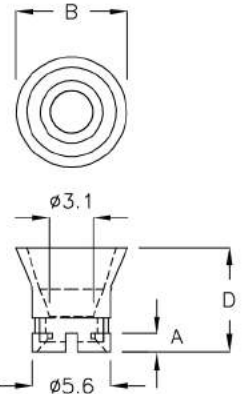
4-62-1



LED套 LED HOLDER

MATERIAL: NYLON 66(UL)
FLAME CLASS: 94V-2
COLOR: BLACK

FOR $\phi 3$ 3PIN LED				
PART NO	A	B	D	PACKAGE
QLH-2A	1.35	$\phi 8.0$	7.5	2000



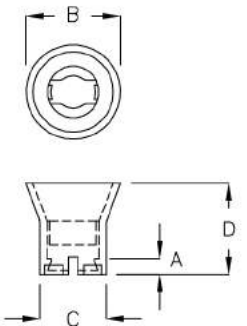
4-62-2



LED套 LED HOLDER

MATERIAL: NYLON 66(UL)
FLAME CLASS: 94V-2
COLOR: BLACK

FOR $\phi 3$ 3PIN LED					
PART NO	A	B	C	D	PACKAGE
QLM-3AF	1.3	$\phi 8.0$	$\phi 5.6$	7.7	2000
QLM-3CP	1.3	$\phi 6.6$	$\phi 5.2$	6.0	



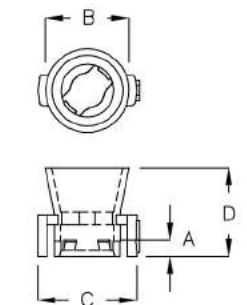
4-62-3



LED座 LED HOUSING

MATERIAL: NYLON 66(UL)
FLAME CLASS: 94V-2
COLOR: BLACK

FOR $\phi 3$ 3PIN LED					
PART NO	A	B	C	D	PACKAGE
QLP-3CA	1.3	$\phi 8.0$	8.4	7.7	2000
QLP-3FG	1.3	$\phi 6.6$	7.8	7.0	



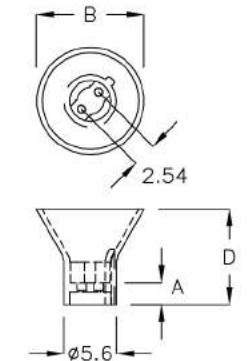
4-62-4



LED座 LED HOUSING

MATERIAL: NYLON 66(UL)
FLAME CLASS: 94V-2
COLOR: BLACK

FOR $\phi 3$ 2PIN LED				
PART NO	A	B	D	PACKAGE
QLR-3KH	2.35	11.5	10.2	2000



LED 套, LED 座 LED HOLDER, LED HOUSING

PINGOOD

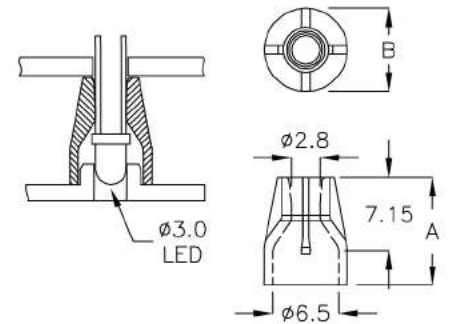
4-63-1



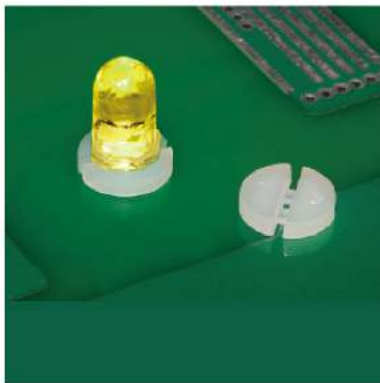
LED 套 LED HOLDER

MATERIAL: TPE
COLOR: BLACK

FOR $\phi 3$ 2PIN LED			
PART NO	A	B	PACKAGE
MTD-13HK	10.5	$\phi 8.1$	1000



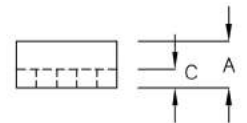
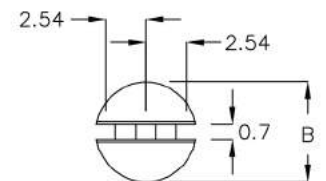
4-63-2



LED 套 LED HOLDER

MATERIAL: NYLON 66(UL)
FLAME CLASS: 94V-2
COLOR: NATURAL

FOR $\phi 5$ 3PIN LED				
PART NO	A	B	C	PACKAGE
LED-1x3A	1.6	$\phi 7.4$	0.5	2000



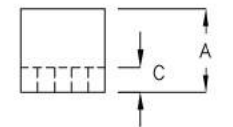
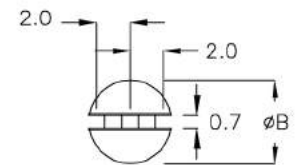
4-63-3



LED 套 LED HOLDER

MATERIAL: NYLON 66(UL)
FLAME CLASS: 94V-2
COLOR: NATURAL

FOR $\phi 3$ 3PIN LED				
PART NO	A	B	C	PACKAGE
LED-3x3A	3.0	5.0	1.0	2000
LED-4x3A	4.0	5.0	1.0	
LED-5x3A	5.0	5.0	1.5	
LED-5Cx3A	5.5	5.0	1.5	
LED-14x3A	14.0	5.0	9.0	1000



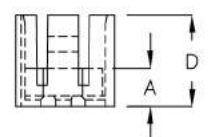
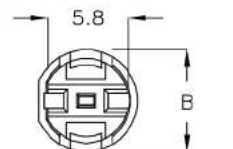
4-63-4



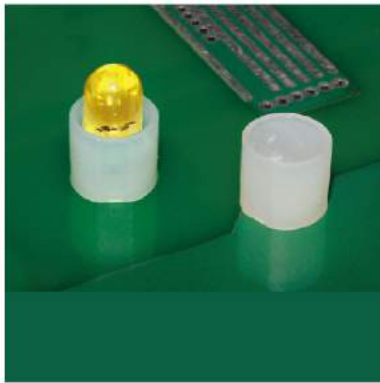
LED 套 LED HOLDER

MATERIAL: NYLON 66(UL)
FLAME CLASS: 94V-2
COLOR: NATURAL

FOR $\phi 5$ 3PIN LED				
PART NO	A	B	D	PACKAGE
QLF-3A	2.8	$\phi 7.1$	6.6	2000



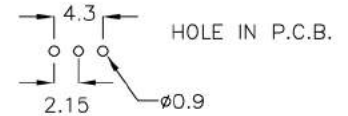
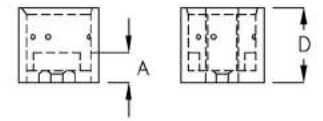
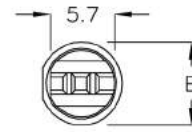
4-64-1



LED套 LED HOLDER

MATERIAL: NYLON 66(UL)
FLAME CLASS: 94V-2
COLOR: NATURAL

FOR $\phi 5$ 3PIN LED				
PART NO	A	B	D	PACKAGE
LED-2Mx3	2.6	$\phi 7.4$	6.6	1000



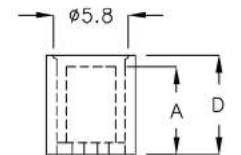
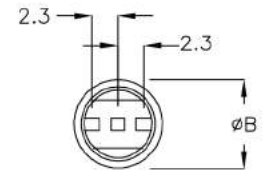
4-64-2



LED套 LED HOLDER

MATERIAL: NYLON 66(UL)
FLAME CLASS: 94V-2
COLOR: NATURAL

FOR $\phi 5$ 3PIN LED				
PART NO	A	B	D	PACKAGE
LED-5Sx3	5.0	7.4	6.0	2000
LED-4Sx3	4.4	7.4	6.0	
LED-5x3	5.5	7.4	6.5	1000
LED-5Kx3	5.0	7.4	7.7	
LED-7x3	7.0	7.4	8.0	
LED-8x3	8.0	7.4	9.0	
LED-8Mx3	8.5	7.4	9.5	
LED-10x3	10.5	7.4	11.5	500
LED-16x3	13.8	7.1	16.1	



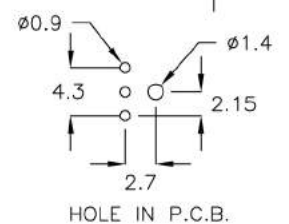
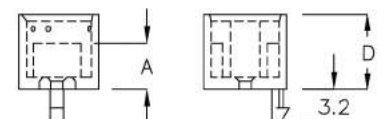
4-64-3



LED套 LED HOLDER

MATERIAL: NYLON 66(UL)
FLAME CLASS: 94V-2
COLOR: NATURAL

FOR $\phi 5$ 3PIN LED				
PART NO	A	B	D	PACKAGE
LED-1Tx3	2.6	$\phi 7.4$	6.6	1000
LED-4Tx3	4.0	$\phi 7.4$	6.7	



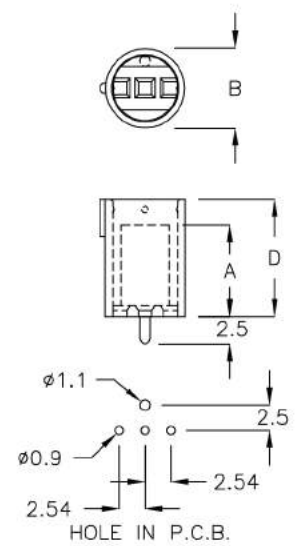
4-65-1



LED 套 LED HOLDER

MATERIAL: NYLON 66(UL)
FLAME CLASS: 94V-2
COLOR: NATURAL

FOR $\phi 5$ 3PIN LED				
PART NO	A	B	D	PACKAGE
QBE-8M	8.5	$\phi 7.5$	10.9	1000



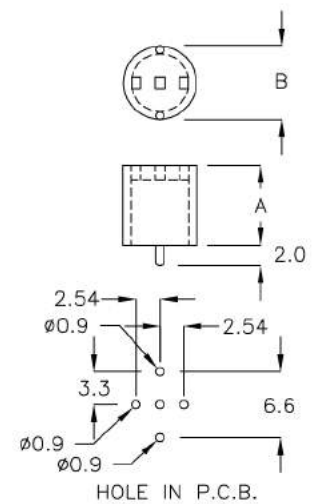
4-65-2



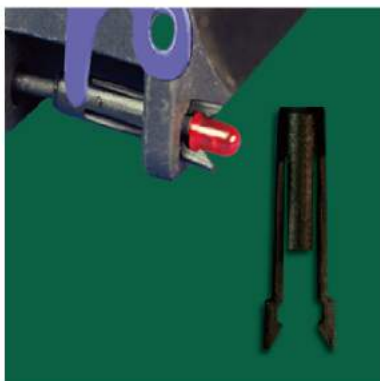
LED 套 LED HOLDER

MATERIAL: NYLON 66(UL)
FLAME CLASS: 94V-2
COLOR: NATURAL

FOR $\phi 5$ 3PIN LED			
PART NO	A	B	PACKAGE
QBK-08	8.0	$\phi 7.4$	2000

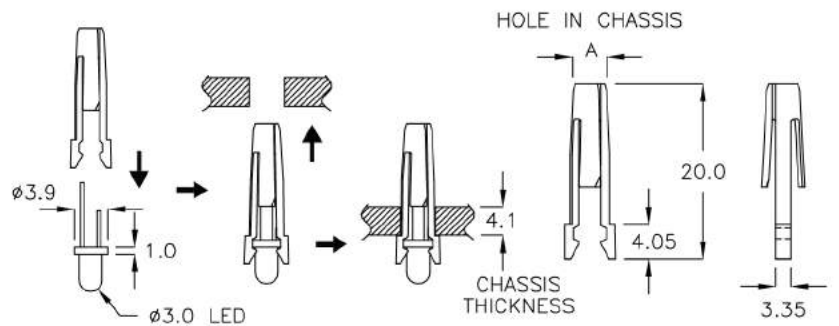


4-65-3



固定座 MOUNT

MATERIAL: NYLON 66(UL)
FLAME CLASS: 94V-2
COLOR: BLACK

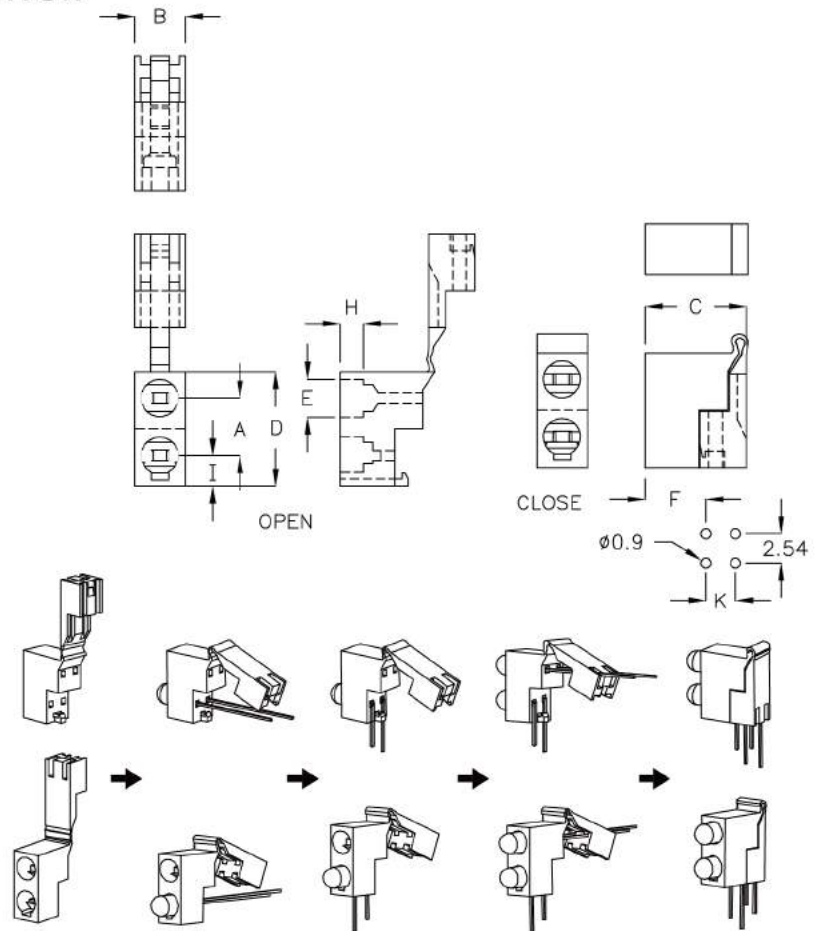


PART NO	A HOLE IN CHASSIS	PACKAGE
MTX-4JQ	$\phi 4.5$	1000

LED 座 LED HOUSING



MATERIAL: NYLON 66(UL)
FLAME CLASS: 94V-2
COLOR: BLACK

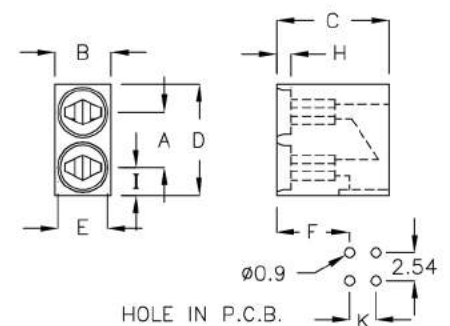


PART NO	A	B	C	D	E	F	H	I	K	SUITABLE LED	PACKAGE
2LED-3Q	5.0	4.5	8.9	10.0	Ø3.3	5.3	2.0	2.7	2.6	Ø3 2PIN	1000

LED 座 LED HOUSING



MATERIAL: NYLON 66(UL)
FLAME CLASS: 94V-2
COLOR: BLACK

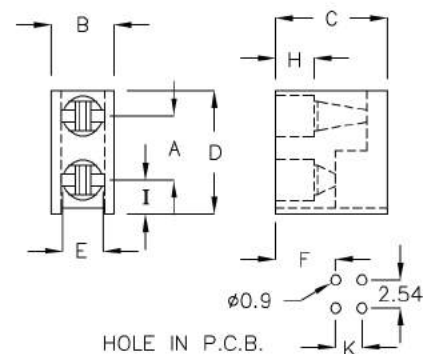


PART NO	A	B	C	D	E	F	H	I	K	SUITABLE LED	PACKAGE
2LED-3	5.0	5.1	10.1	10.0	Ø3.9	7.1	1.3	2.5	2.6	Ø3 2PIN	1000



LED座 LED HOUSING

MATERIAL: NYLON 66(UL)
FLAME CLASS: 94V-2
COLOR: BLACK

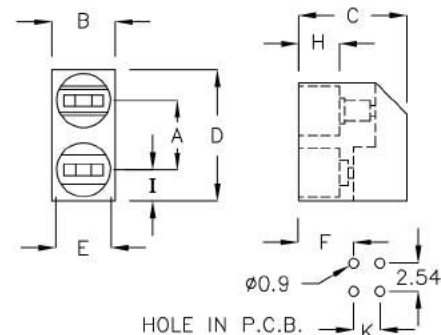


PART NO	A	B	C	D	E	F	H	I	K	SUITABLE LED	PACKAGE
2LED-3A	5.0	4.4	8.8	9.7	∅3.2	5.2	2.0	2.7	2.5	∅3 2PIN	1000
2LED-3B	5.0	5.0	8.9	9.8	∅3.2	5.2	3.0	2.7	2.5	∅3 2PIN	
2LED-3C	5.0	5.0	10.1	9.6	∅3.2	7.1	1.3	2.5	2.6	∅3 2PIN	
2LED-3D	5.0	4.4	9.0	9.8	∅3.4	5.45	1.5	2.6	2.55	∅3 2PIN	
2LED-3E	5.0	4.4	9.0	9.8	∅3.4	5.45	2.0	2.6	2.55	∅3 2PIN	
2LED-3P	6.0	4.4	9.7	13.5	∅3.3	6.2	2.0	5.0	2.55	∅3 2PIN	



LED座 LED HOUSING

MATERIAL: NYLON 66(UL)
FLAME CLASS: 94V-2
COLOR: BLACK

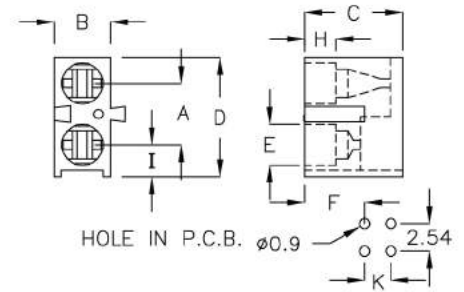


PART NO	A	B	C	D	E	F	K	H	I	SUITABLE LED	PACKAGE
2LED-5	6.2	5.9	11.0	12.0	∅5.0	6.1	2.4	4.2	2.85	∅5 2PIN	500



LED 座 LED HOUSING

MATERIAL: NYLON 66(UL)
FLAME CLASS: 94V-2
COLOR: BLACK

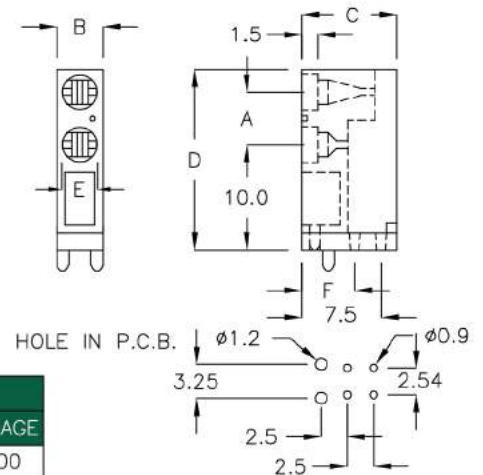


FOR $\phi 3$ 2PIN LED										
PART NO	A	B	C	D	E	F	H	I	K	PACKAGE
2LED-3F	5.0	4.6	8.0	9.7	$\phi 3.3$	5.1	2.6	2.6	2.4	1000
2LED-3H	5.1	4.3	8.1	12.6	$\phi 3.2$	4.8	2.0	4.6	2.6	
2LED-3J	5.0	4.4	9.0	9.7	$\phi 3.35$	5.3	1.5	2.6	2.5	

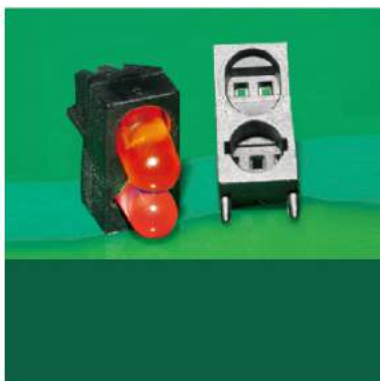


LED 座 LED HOUSING

MATERIAL: NYLON 66(UL)
FLAME CLASS: 94V-2
COLOR: BLACK



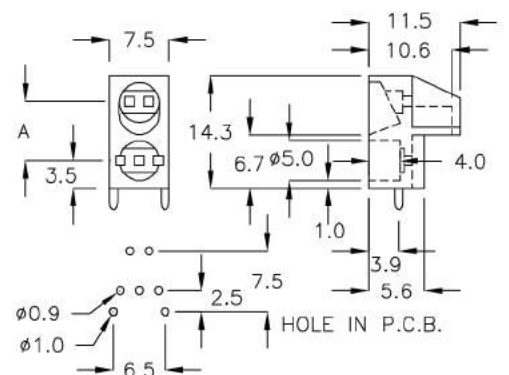
FOR $\phi 3$ 2PIN LED							
PART NO	A	B	C	D	E	F	PACKAGE
2LED-3K	5.0	4.4	9.0	17.1	$\phi 3.4$	5.0	1000



LED 座 LED HOUSING

MATERIAL: NYLON 66(UL)
FLAME CLASS: 94V-2
COLOR: BLACK

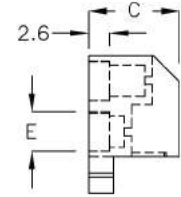
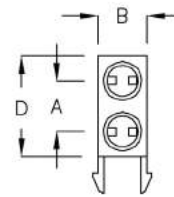
FOR $\phi 5$ 2 PIN LED $\phi 5$ 3 PIN LED		
PART NO	A	PACKAGE
2LED-5A	7.45	500



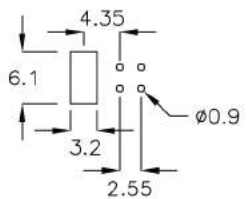


LED座 LED HOUSING

MATERIAL: PC(UL)
FLAME CLASS: 94V-2
COLOR: BLACK



HOLE IN P.C.B.
P.C.B. THICKNESS:1.6mm



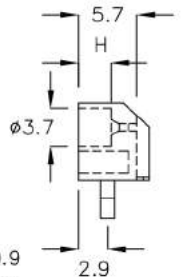
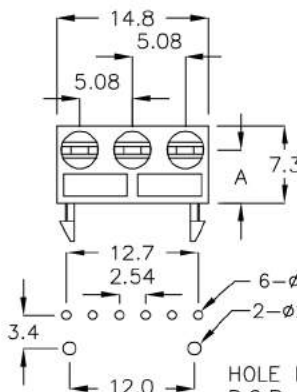
Build-in Clamp Function

PART NO	A	B	C	D	E	SUITABLE LED	PACKAGE
2LED-5C	6.3	6.0	11.2	12.5	04.9	05 2PIN	500



LED座 LED HOUSING

MATERIAL: NYLON 66(UL)
FLAME CLASS: 94V-2
COLOR: BLACK



HOLE IN P.C.B.
P.C.B. THICKNESS:1.6mm

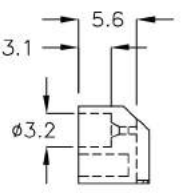
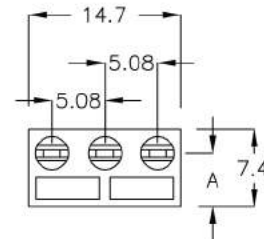
Build-in Clamp Function

FOR 03 2PIN LED			
PART NO	A	H	PACKAGE
3LED-3AT	5.1	3.2	500
3LED-3BT	5.1	2.0	



LED座 LED HOUSING

MATERIAL: NYLON 66(UL)
FLAME CLASS: 94V-2
COLOR: BLACK



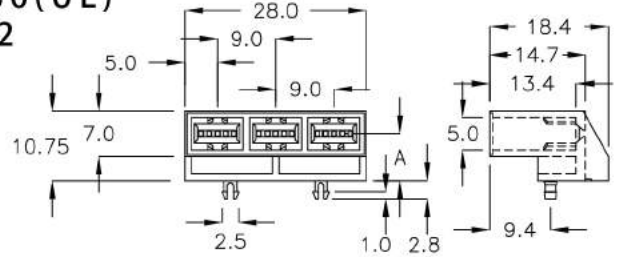
Build-in Clamp Function

FOR 03 2PIN LED		
PART NO	A	PACKAGE
3LED-3C	5.1	500

LED 座 LED HOUSING



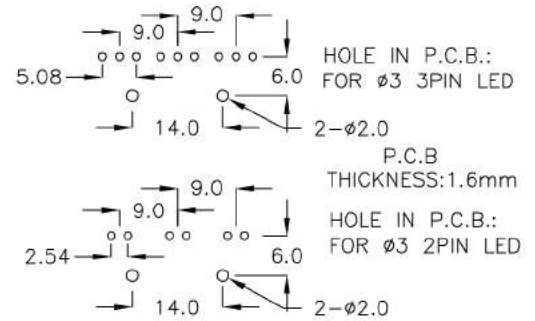
MATERIAL: NYLON 66(UL)
FLAME CLASS: 94V-2
COLOR: BLACK



Build-in Clamp Function

FOR $\phi 3$ 2PIN/3PIN LED
 FOR QUADRATE 2PIN/3PIN LED

PART NO	A	PACKAGE
3LED-3H	7.25	500



LED 座 LED HOUSING

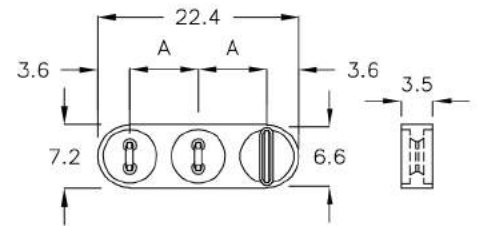


MATERIAL: NYLON 66(UL)
FLAME CLASS: 94V-2
COLOR: BLACK

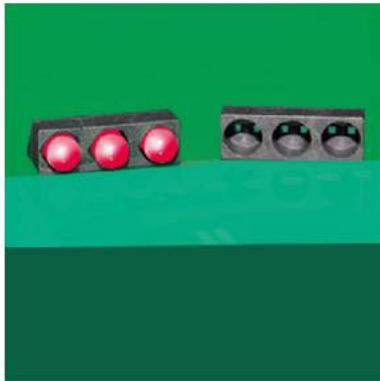
Build-in Clamp Function

FOR $\phi 5$ 3PIN LED x1
 FOR $\phi 5$ 2PIN LED x2

PART NO	A	PACKAGE
3LED-7	7.6	1000



LED 座 LED HOUSING

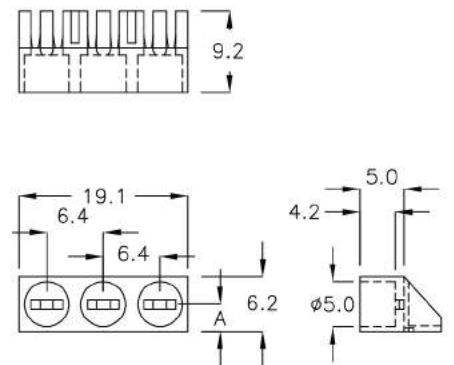


MATERIAL: NYLON 66(UL)
FLAME CLASS: 94V-2
COLOR: BLACK

Build-in Clamp Function

FOR $\phi 5$ 2PIN LED

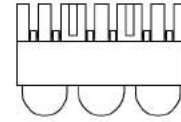
PART NO	A	PACKAGE
3LED-5	3.1	500



LED 座 LED HOUSING

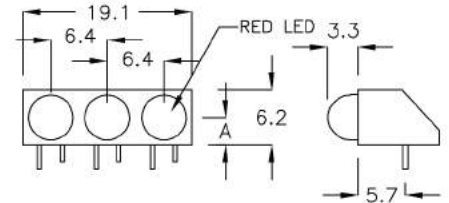


MATERIAL: NYLON 66(UL)
+RED LED
FLAME CLASS: 94V-2
COLOR: BLACK



Build-in Clamp Function

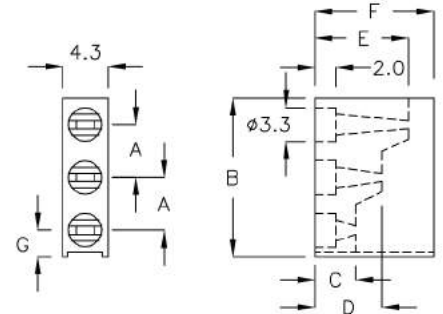
FOR $\phi 5$ 2PIN LED		
PART NO	A	PACKAGE
3LED-5-R	3.1	500



LED 座 LED HOUSING



MATERIAL: NYLON 66(UL)
FLAME CLASS: 94V-2
COLOR: BLACK



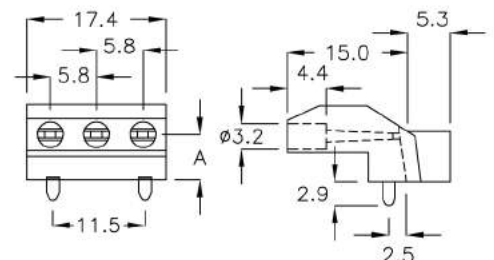
Build-in Clamp Function

FOR $\phi 3$ 2PIN LED								
PART NO	A	B	C	D	E	F	G	PACKAGE
3LED-3	5.08	15.25	3.9	6.45	9.0	11.45	2.50	500
3LED-3E	6.0	17.0	5.7	8.25	10.8	12.5	2.70	

LED 座 LED HOUSING

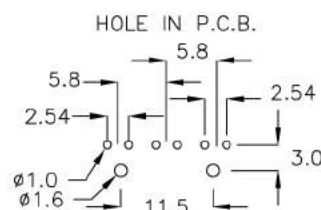


MATERIAL: NYLON 66(UL)
FLAME CLASS: 94V-2
COLOR: BLACK



Build-in Clamp Function

FOR $\phi 3$ 2PIN LED		
PART NO	A	PACKAGE
3LEL-6	5.5	200

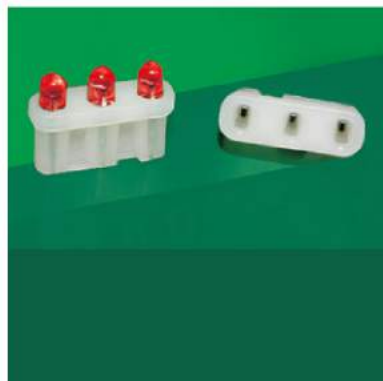


LED 套, LED 座 LED HOLDER, LED HOUSING

PINGOOD

4-72-1

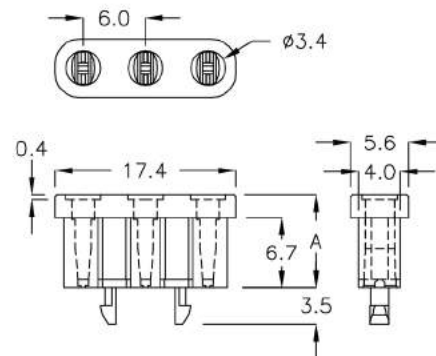
LED 座 LED HOUSING



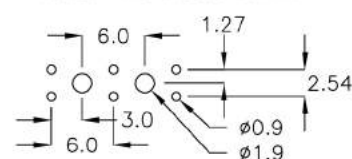
MATERIAL: NYLON 66(UL)
FLAME CLASS: 94V-2
COLOR: NATURAL

Build-in Clamp Function

FOR $\phi 3$ 2PIN LED		
PART NO	A	PACKAGE
3LED-3M	8.9	500



HOLE IN P.C.B.
P.C.B. THICKNESS: 1.6mm



4-72-2

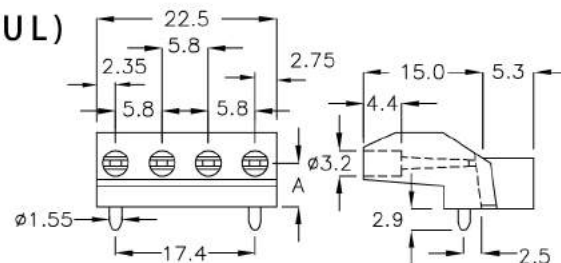
LED 座 LED HOUSING



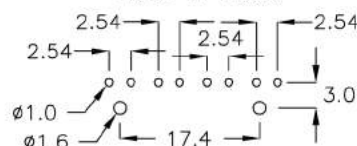
MATERIAL: NYLON 66(UL)
FLAME CLASS: 94V-2
COLOR: BLACK

Build-in Clamp Function

FOR $\phi 3$ 2PIN LED		
PART NO	A	PACKAGE
4LEL-6	5.6	200



HOLE IN P.C.B.



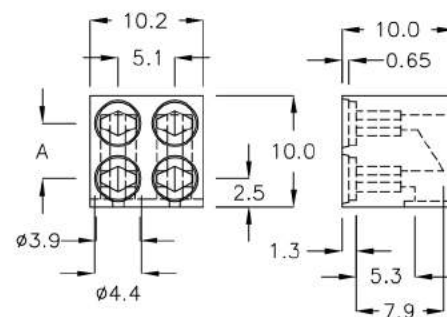
4-72-3

LED 座 LED HOUSING



MATERIAL: NYLON 66(UL)
FLAME CLASS: 94V-2
COLOR: BLACK

FOR $\phi 3$ 2PIN LED		
PART NO	A	PACKAGE
4LED-3	5.0	500

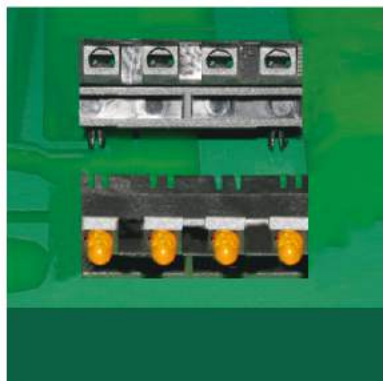


LED 套, LED 座 LED HOLDER, LED HOUSING

PINGOOD

4-73-1

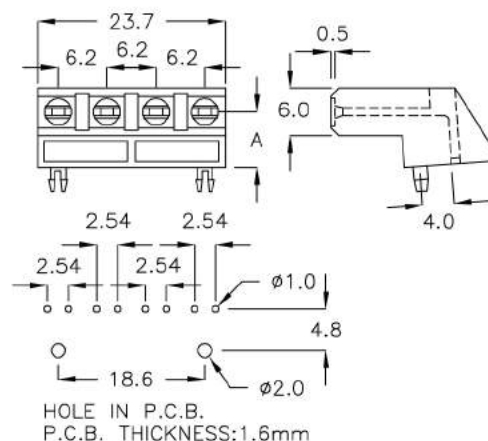
LED 座 LED HOUSING



Build-in Clamp Function

FOR $\phi 3$ 2PIN LED		
PART NO	A	PACKAGE
4LEL-6A	7.0	200

MATERIAL: NYLON 66(UL)
FLAME CLASS: 94V-2
COLOR: BLACK



4-73-2

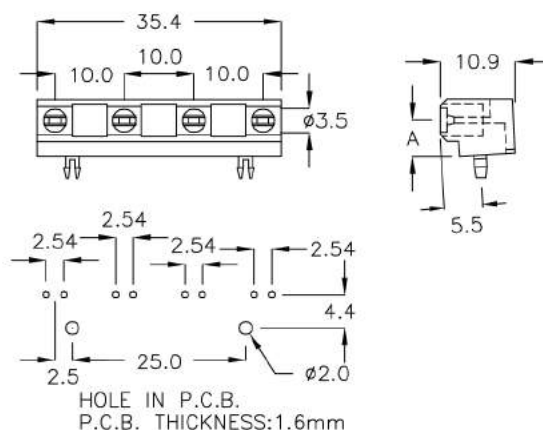
LED 座 LED HOUSING



Build-in Clamp Function

FOR $\phi 3$ 2PIN LED		
PART NO	A	PACKAGE
4LEL-6C	5.25	200

MATERIAL: NYLON 66(UL)
FLAME CLASS: 94V-2
COLOR: BLACK



4-73-3

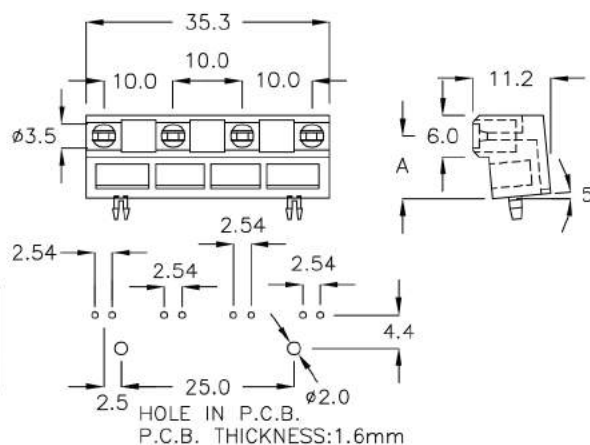
LED 座 LED HOUSING



Build-in Clamp Function

FOR $\phi 3$ 2PIN LED		
PART NO	A	PACKAGE
4LEL-6D	9.0	200

MATERIAL: NYLON 66(UL)
FLAME CLASS: 94V-2
COLOR: BLACK



LED 套, LED 座 LED HOLDER, LED HOUSING

PINGOOD

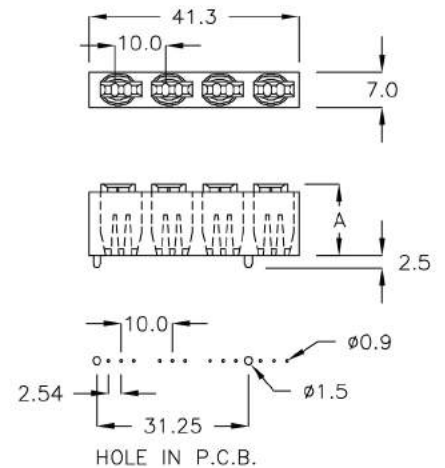
4-74-1

LED 套 LED HOLDER



MATERIAL: NYLON 66(UL)
FLAME CLASS: 94V-2
COLOR: BLACK

FOR $\phi 5$ 2PIN LED			
PART NO	A	PACKAGE	
4LED-1A	14.0	500	



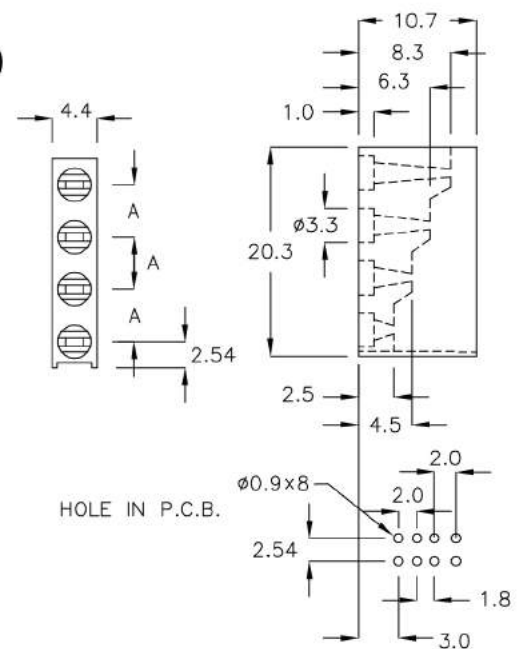
4-74-2

LED 座 LED HOUSING



MATERIAL: NYLON 66(UL)
FLAME CLASS: 94V-2
COLOR: BLACK

FOR $\phi 3$ 2PIN LED			
PART NO	A	PACKAGE	
4LED-3C	5.08	500	



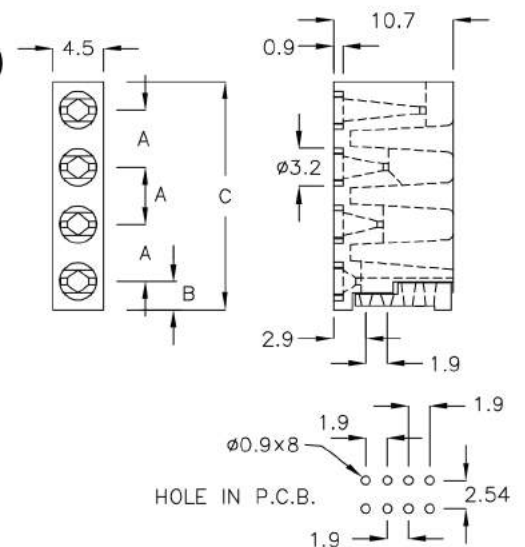
4-74-3

LED 座 LED HOUSING

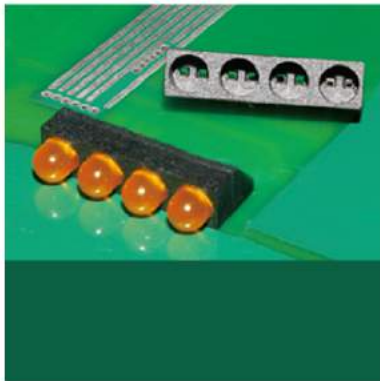


MATERIAL: NYLON 66(UL)
FLAME CLASS: 94V-2
COLOR: BLACK

FOR $\phi 3$ 2PIN LED				
PART NO	A	B	C	PACKAGE
4LED-3D	5.1	2.54	20.3	500
4LED-3K	5.1	4.75	22.5	



4-75-1

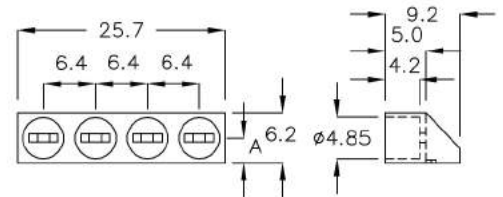
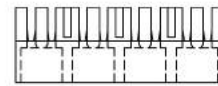


LED座 LED HOUSING

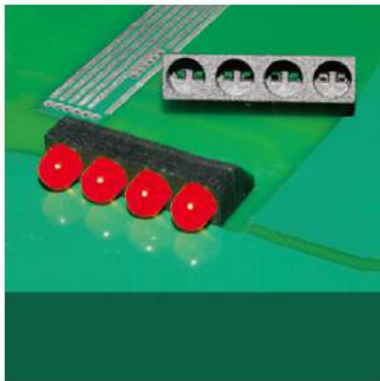
MATERIAL: NYLON 66(UL)
FLAME CLASS: 94V-2
COLOR: BLACK

Build-in Clamp Function

FOR $\phi 5$ 2PIN LED		
PART NO	A	PACKAGE
4LED-5	3.1	500



4-75-2

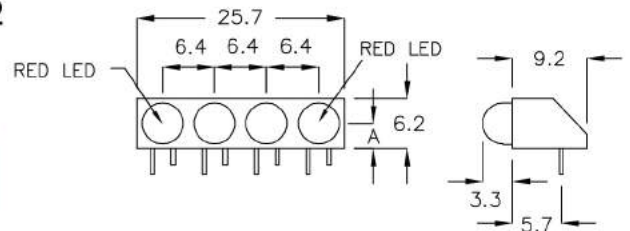
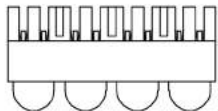


LED座 LED HOUSING

MATERIAL: NYLON 66(UL)
+RED LED
FLAME CLASS: 94V-2
COLOR: BLACK

Build-in Clamp Function

FOR $\phi 5$ 2PIN LED		
PART NO	A	PACKAGE
4LED-5-R	3.1	500



4-75-3

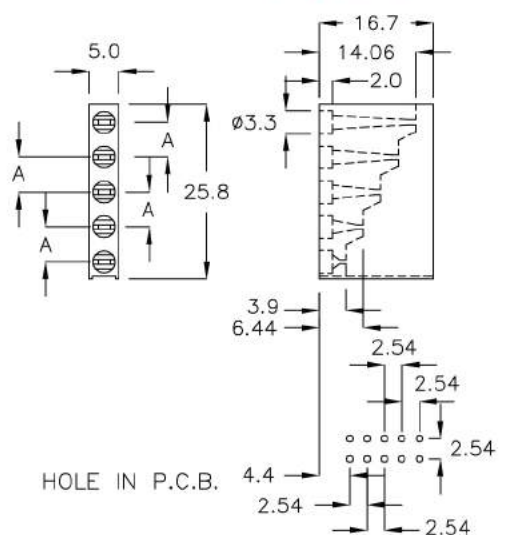
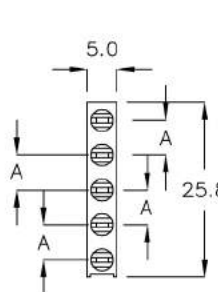


LED座 LED HOUSING

MATERIAL: NYLON 66(UL)
FLAME CLASS: 94V-2
COLOR: BLACK

Build-in Clamp Function

FOR $\phi 3$ 2PIN LED		
PART NO	A	PACKAGE
5LED-3	5.08	500



4-75-4

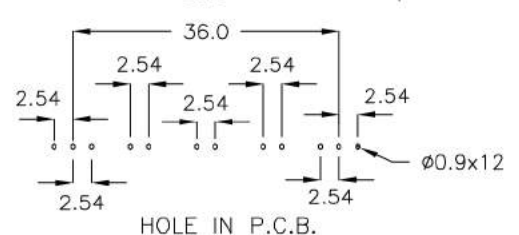
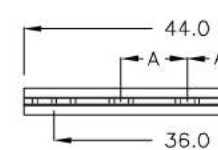


LED座 LED HOUSING

MATERIAL: NYLON 66(UL)
FLAME CLASS: 94V-2
COLOR: BLACK

Build-in Clamp Function

FOR $\phi 5$ 2PIN LED $\times 3$ FOR $\phi 5$ 3PIN LED $\times 2$		
PART NO	A	PACKAGE
QLD-44	9.0	1000



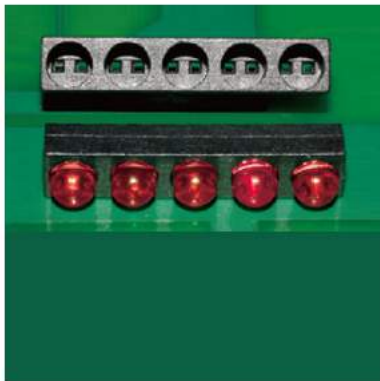
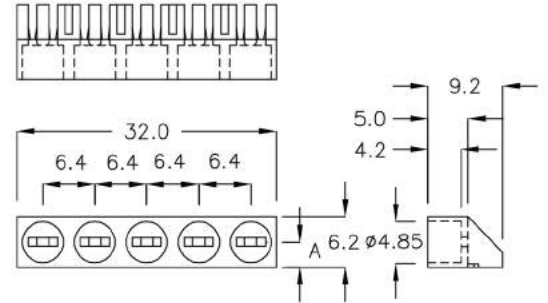


LED座 LED HOUSING

MATERIAL: NYLON 66(UL)
FLAME CLASS: 94V-2
COLOR: BLACK

Build-in Clamp Function

FOR $\phi 5$ 2PIN LED		
PART NO	A	PACKAGE
5LED-5	3.1	500

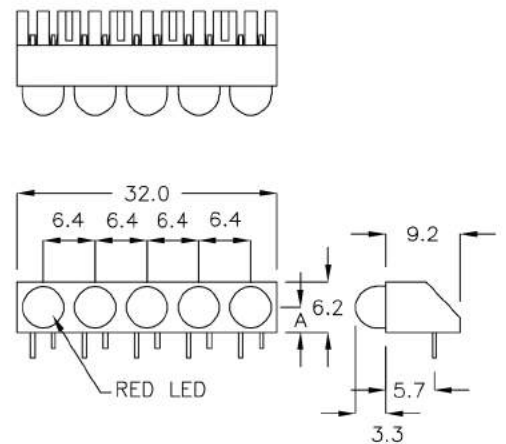


LED座 LED HOUSING

MATERIAL: NYLON 66(UL)
+RED LED
FLAME CLASS: 94V-2
COLOR: BLACK

Build-in Clamp Function

FOR $\phi 5$ 2PIN LED		
PART NO	A	PACKAGE
5LED-5-R	3.1	500

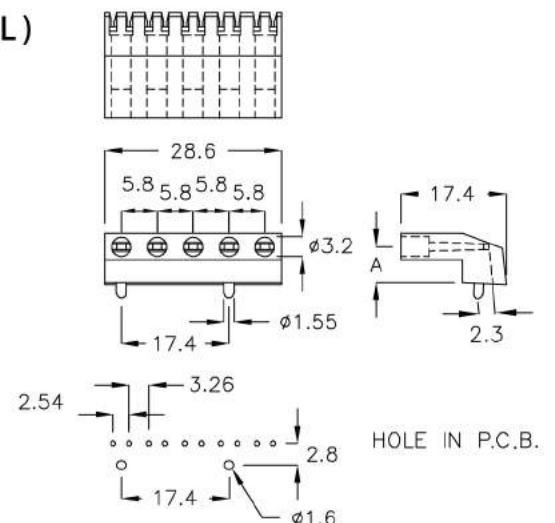


LED座 LED HOUSING

MATERIAL: NYLON 66(UL)
FLAME CLASS: 94V-2
COLOR: BLACK

Build-in Clamp Function

FOR $\phi 3$ 2PIN LED		
PART NO	A	PACKAGE
5LEL-6	5.8	200

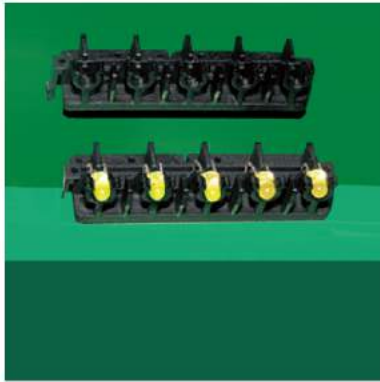


LED 套, LED 座 LED HOLDER, LED HOUSING

PINGOOD

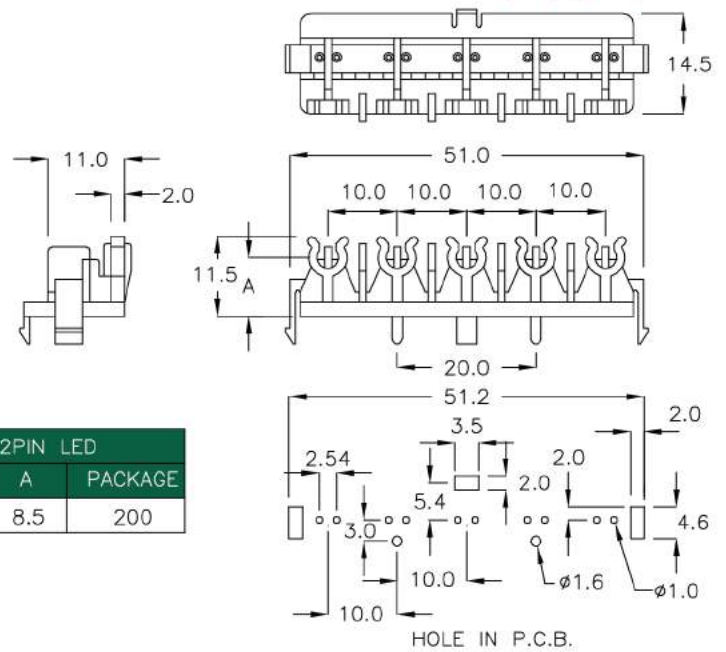
4-77-1

LED 座 LED HOUSING



MATERIAL: NYLON 66(UL)
FLAME CLASS: 94V-2
COLOR: BLACK

FOR $\varnothing 3$ 2PIN LED		
PART NO	A	PACKAGE
5LED-3AT	8.5	200



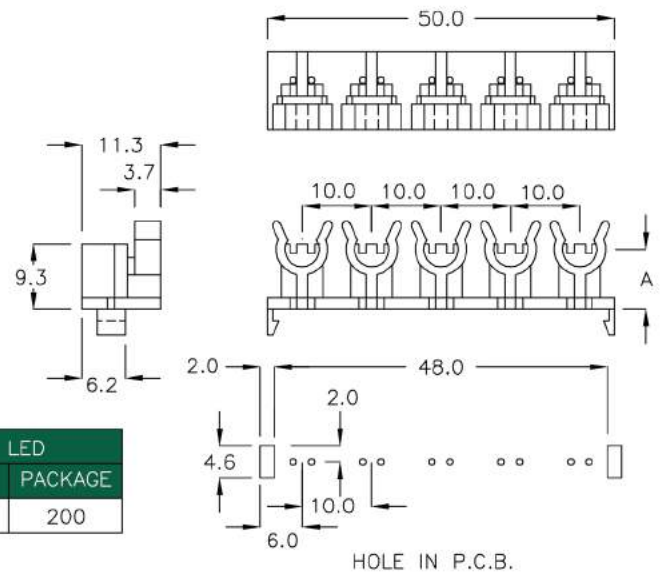
4-77-2

LED 座 LED HOUSING



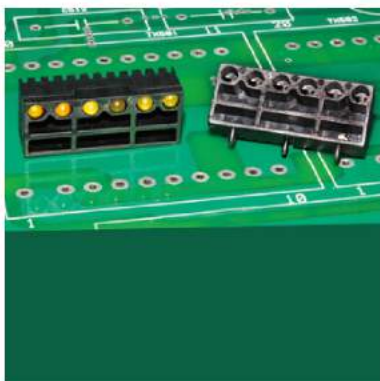
MATERIAL: NYLON 66(UL)
FLAME CLASS: 94V-2
COLOR: BLACK

FOR $\varnothing 5$ 2PIN LED		
PART NO	A	PACKAGE
5LED-5BT	8.5	200



4-77-3

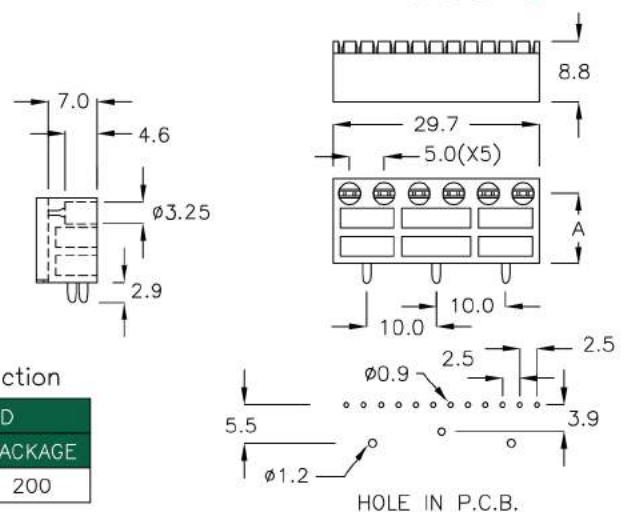
LED 座 LED HOUSING



MATERIAL: NYLON 66(UL)
FLAME CLASS: 94V-2
COLOR: BLACK

Build-in Clamp Function

FOR $\varnothing 3$ 2PIN LED		
PART NO	A	PACKAGE
6LED-3A	10.0	200



LED 套, LED 座 LED HOLDER, LED HOUSING

PINGOOD

4-78-1

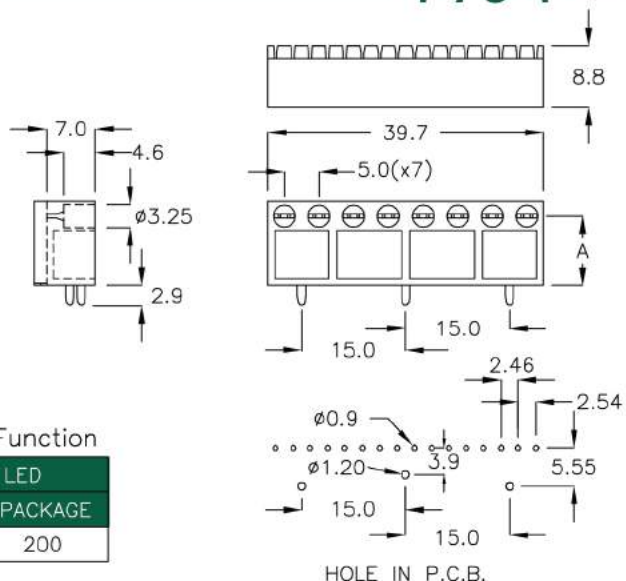
LED 座 LED HOUSING



MATERIAL: NYLON 66(UL)
FLAME CLASS: 94V-2
COLOR: BLACK

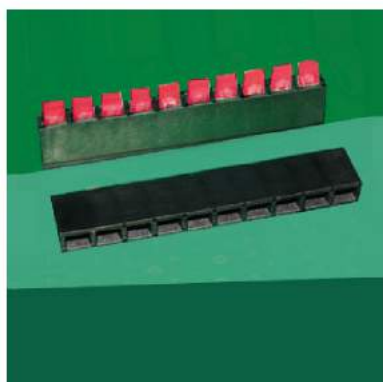
Build-in Clamp Function

FOR $\phi 3$ 2PIN LED		
PART NO	A	PACKAGE
8LED-3	10.0	200



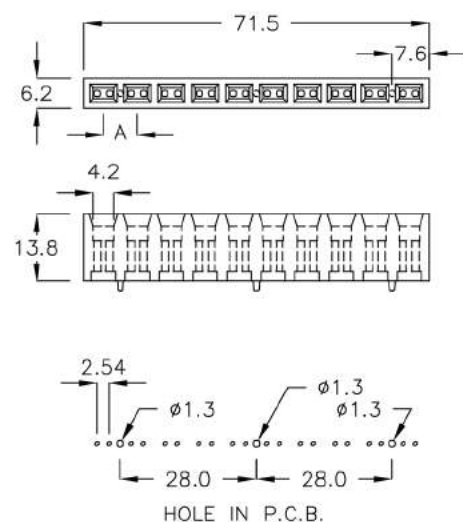
4-78-2

LED 座 LED HOUSING



MATERIAL: NYLON 66(UL)
FLAME CLASS: 94V-2
COLOR: BLACK

FOR QUADRATE 2PIN LED		
PART NO	A	PACKAGE
10LED-1	7.0	200



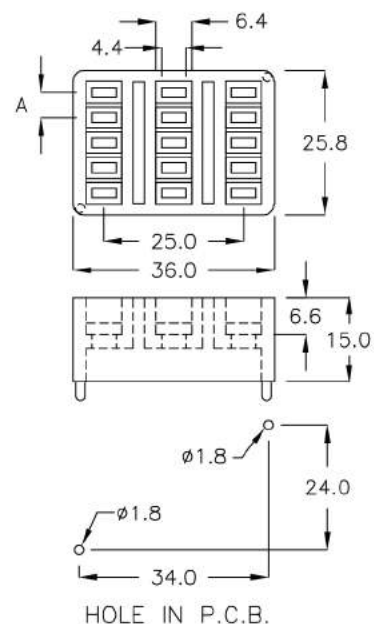
4-78-3

LED 座 LED HOUSING



MATERIAL: NYLON 66(UL)
FLAME CLASS: 94V-2
COLOR: BLACK

FOR QUADRATE 2PIN LED		
PART NO	A	PACKAGE
15LED-1	4.5	100



5



風扇鉚釘
FAN SNAP RIVET



螺帽, 扣具
SCREW, SCREW NUT



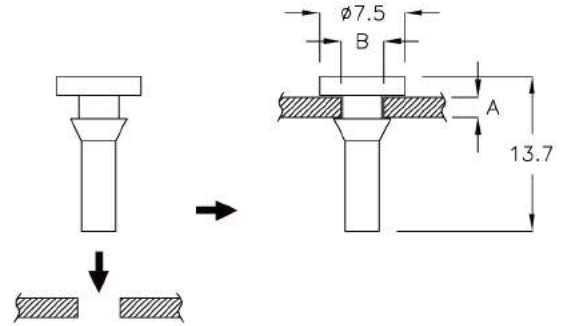
鉚釘, 螺絲
FASTENER,
SNAP RIVET



緩衝墊片 SILICONE BUMPER



MATERIAL: SILICONE
COLOR: BLACK

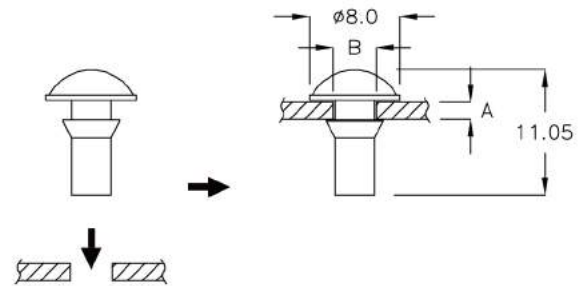


PART NO	A CHASSIS THICKNESS	B HOLE IN CHASSIS	PACKAGE
SRJ-3NS	2.3	$\phi 3.5$	2000

緩衝墊片 SILICONE BUMPER



MATERIAL: SILICONE
COLOR: BLACK

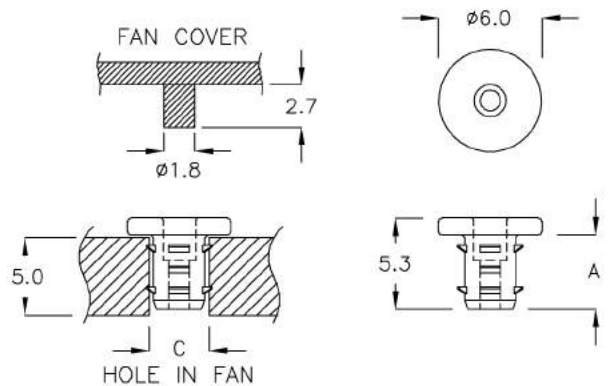


PART NO	A CHASSIS THICKNESS	B HOLE IN CHASSIS	PACKAGE
SRF-3A	1.9	$\phi 3.5$	2000

風扇鉚釘 FAN SNAP RIVET



MATERIAL: TPE
COLOR: BLACK

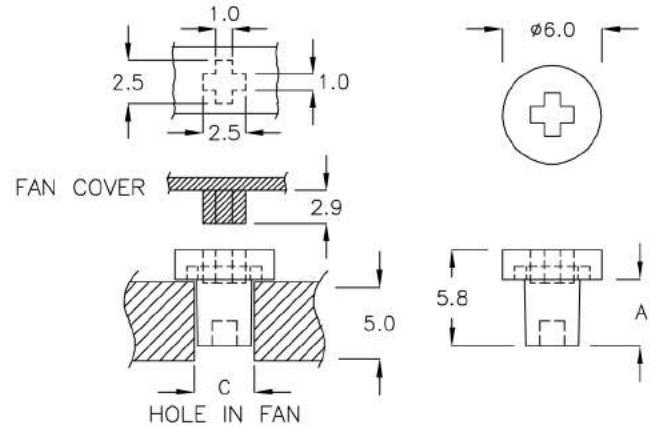


PART NO	A	C HOLE FAN	PACKAGE
SRQB-5A	4.3	$\phi 3.5$	2000

風扇鉚釘 FAN SNAP RIVET

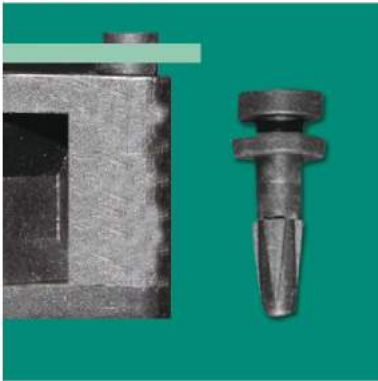


MATERIAL: TPE
COLOR: BLACK

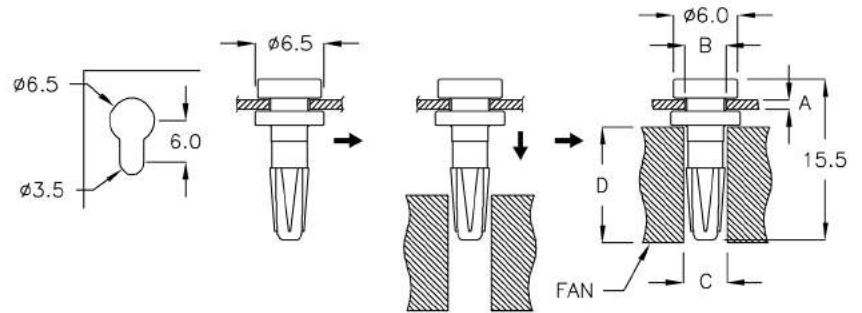


PART NO	A	C HOLE FAN	PACKAGE
SRQF-3AT	4.0	∅3.5	2000

風扇鉚釘 FAN SNAP RIVET

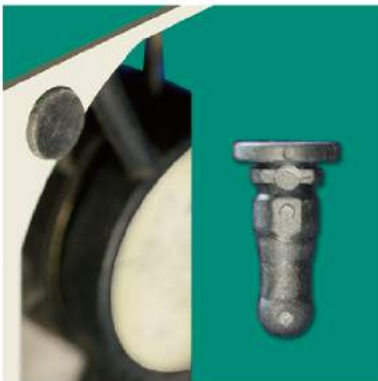


MATERIAL: TPE
COLOR: BLACK

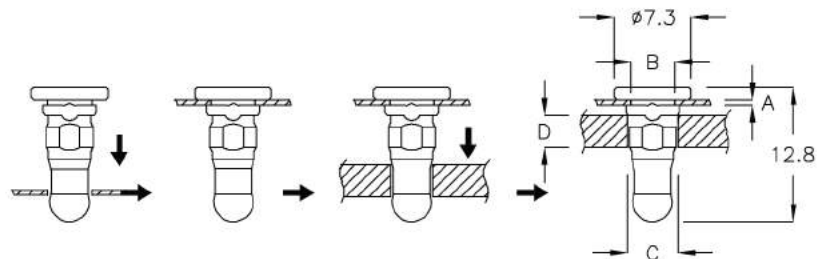


PART NO	A CHASSIS THICKNESS	B HOLE IN CHASSIS	C HOLE IN FAN	D FAN CHASSIS THICKNESS	PACKAGE
SRYC-3XZ	1.0	∅3.5	∅3.6	>11.0	2000

風扇鉚釘 FAN SNAP RIVET

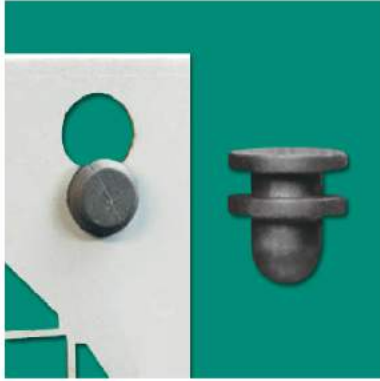


MATERIAL: TPE
COLOR: BLACK

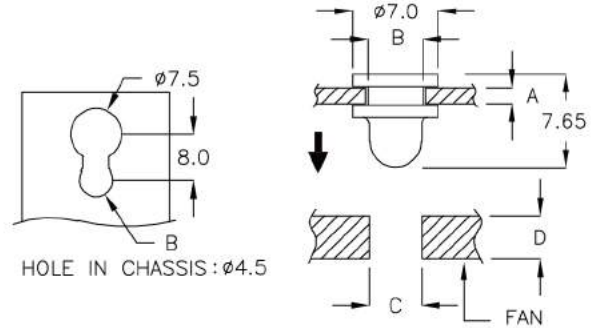


PART NO	A CHASSIS THICKNESS	B HOLE IN CHASSIS	C HOLE IN CHASSIS	D FAN CHASSIS THICKNESS	PACKAGE
SRCQ-4MT	0.5	∅4.3	∅4.5	4.0	2000

風扇鉚釘 FAN SNAP RIVET



MATERIAL: TPE
COLOR: BLACK

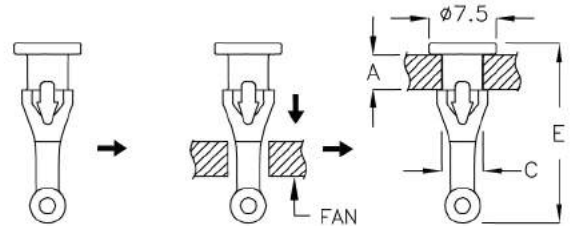


PART NO	A CHASSIS THICKNESS	B HOLE IN CHASSIS	C HOLE IN FAN	D FAN CHASSIS THICKNESS	PACKAGE
SRY-4XR	1.5	$\phi 4.5$	$\phi 4.5$	4.5	2000

風扇鉚釘 FAN SNAP RIVET



MATERIAL: TPE
COLOR: BLACK

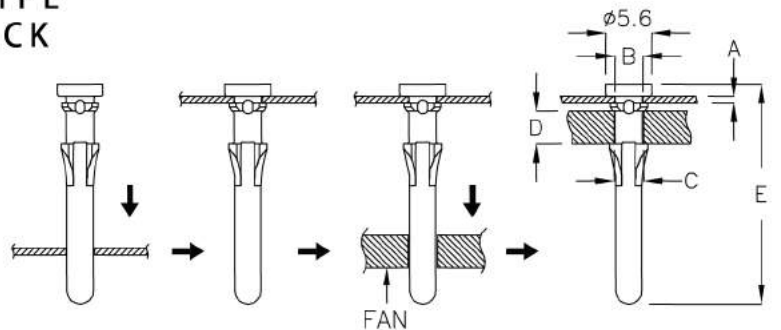


PART NO	A FAN CHASSIS THICKNESS	C HOLE IN FAN	E	PACKAGE
SRZ-4AT	4.0	$\phi 4.5$	20.1	2000

風扇鉚釘 FAN SNAP RIVET



MATERIAL: TPE
COLOR: BLACK

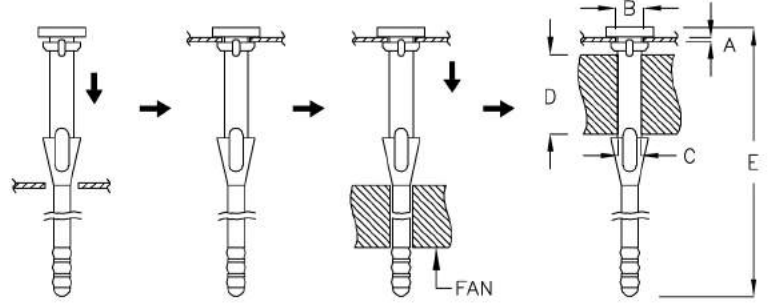


PART NO	A CHASSIS THICKNESS	B HOLE IN CHASSIS	C HOLE IN FAN	D FAN CHASSIS THICKNESS	E	PACKAGE
SRM-24NK	0.8	$\phi 3.5$	$\phi 3.5$	4.0	26.9	500

風扇鉚釘 FAN SNAP RIVET



MATERIAL: TPE
COLOR: BLACK

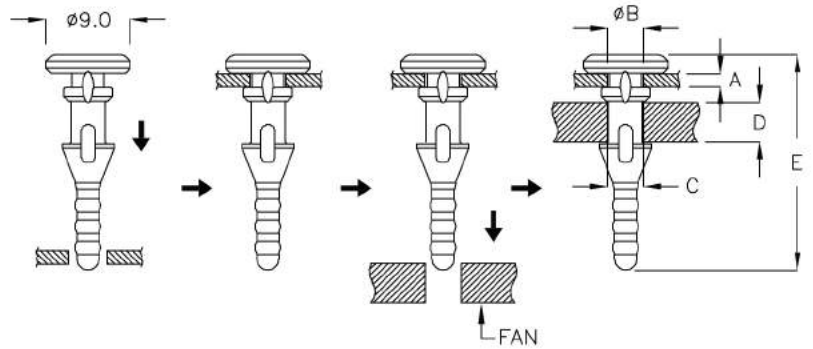


PART NO	A CHASSIS THICKNESS	B HOLE IN CHASSIS	C HOLE IN FAN	D FAN CHASSIS THICKNESS	E	PACKAGE
SRD-3GT	0.8	ø3.5	ø3.5	28.0	73.0	500

風扇鉚釘 FAN SNAP RIVET



MATERIAL: SILICONE
COLOR: BLACK

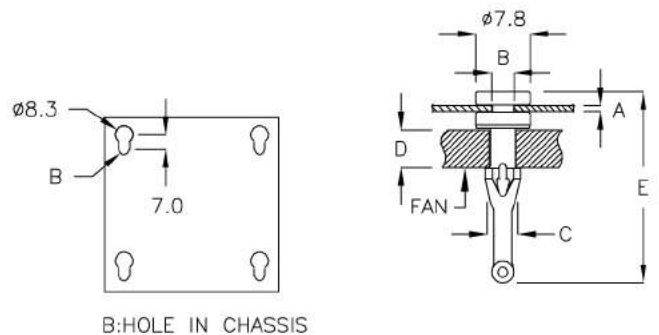


PART NO	A CHASSIS THICKNESS	B HOLE IN CHASSIS	C HOLE IN FAN	D FAN CHASSIS THICKNESS	E	PACKAGE
SRD-4WY	1.5	ø3.5	ø3.5	5.0	23.0	1000

風扇鉚釘 FAN SNAP RIVET

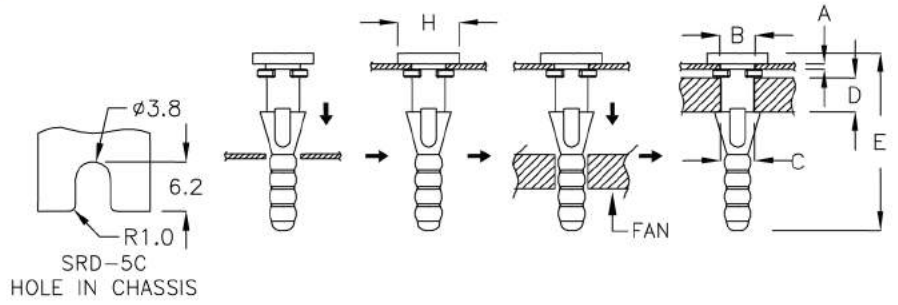


MATERIAL: SILICONE
COLOR: BLACK



PART NO	A CHASSIS THICKNESS	B HOLE IN CHASSIS	C HOLE IN FAN	D FAN CHASSIS THICKNESS	E	PACKAGE
SR-17KM	1.0	ø3.0	ø3.5	6.5	27.6	2000
SR-20RQ	1.0	ø4.0	ø3.5	5.0	25.45	

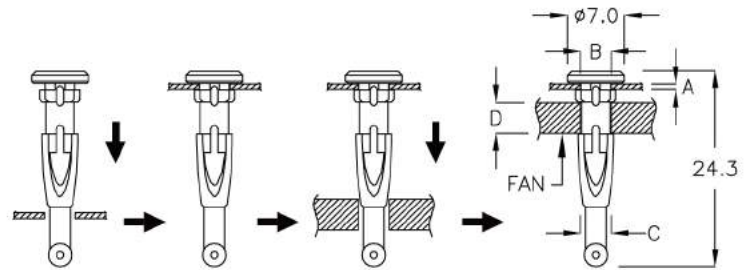
風扇鉚釘 FAN SNAP RIVET



MATERIAL: SILICONE
TPE
COLOR: BLACK

PART NO	MATERIAL	A CHASSIS THICKNESS	B HOLE IN CHASSIS	C HOLE IN FAN	D FAN CHASSIS THICKNESS	E	H	PACKAGE
SRD-3C	SILICONE	1.0	φ3.6	φ3.5	5.0	20.0	φ5.8	2000
SRD-3MF	TPE	0.8	φ3.5	φ3.5	4.0	20.0	φ5.8	
SRD-5C	SILICONE	0.8		φ4.3	5.0	23.8	φ8.0	1000

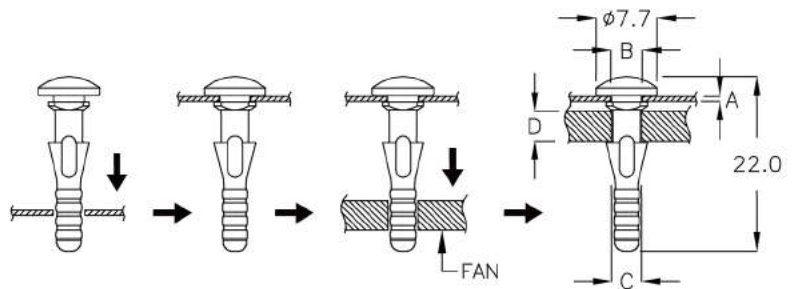
風扇鉚釘 FAN SNAP RIVET



MATERIAL: SILICONE
COLOR: BLACK

PART NO	A CHASSIS THICKNESS	B HOLE IN CHASSIS	C HOLE IN FAN	D FAN CHASSIS THICKNESS	PACKAGE
SRG-3A	0.8	φ3.7	φ3.5	5.0	1000

風扇鉚釘 FAN SNAP RIVET



MATERIAL: SILICONE
COLOR: BLACK

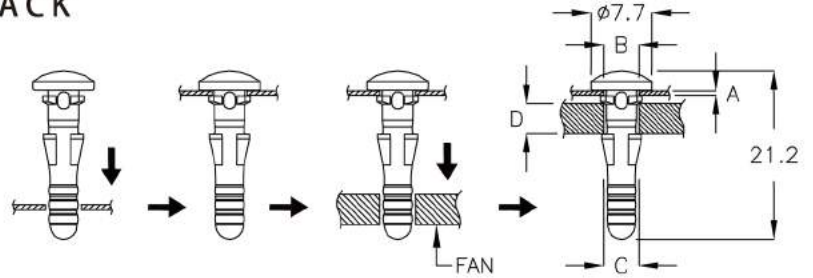
PART NO	A CHASSIS THICKNESS	B HOLE IN CHASSIS	C HOLE IN FAN	D FAN THICKNESS	PACKAGE
SRCK-3HR	1.0	φ4.0	φ3.5	5.0	2000

風扇鉚釘 FAN SNAP RIVET



MATERIAL: TPE
COLOR: BLACK

NEW

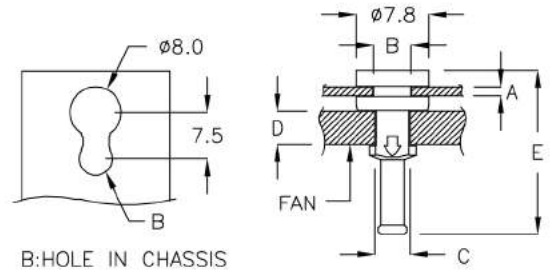


PART NO	A CHASSIS THICKNESS	B HOLE IN CHASSIS	C HOLE IN FAN	D FAN THICKNESS	PACKAGE
★ SRCK-4HT	1.0	∅4.0	∅4.0	4.0	2000

風扇鉚釘 FAN SNAP RIVET



MATERIAL: SILICONE
COLOR: BLACK

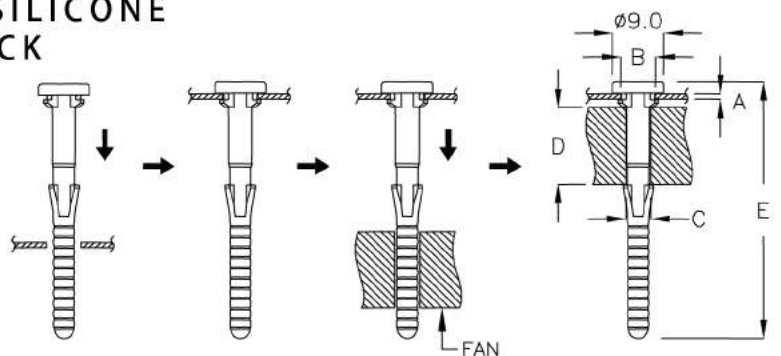


PART NO	A CHASSIS THICKNESS	B HOLE IN CHASSIS	C HOLE IN FAN	D FAN CHASSIS THICKNESS	E	PACKAGE
SRH-3M	1.0	∅4.0	∅3.5	4.0	17.7	2000

風扇鉚釘 FAN SNAP RIVET



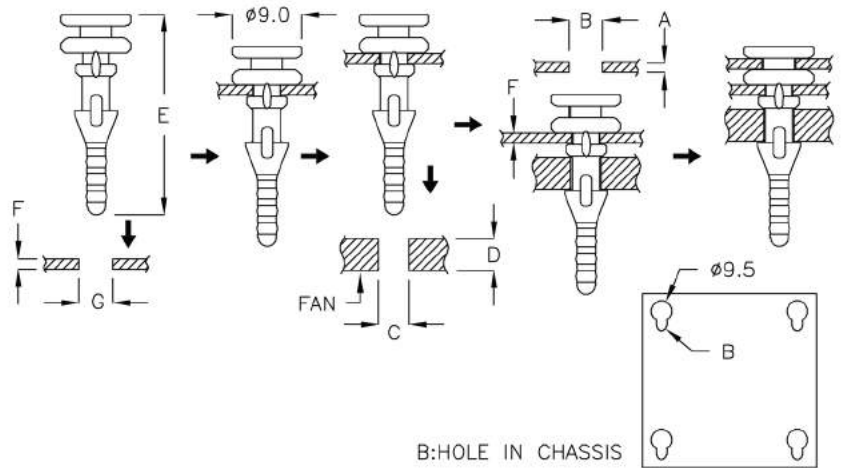
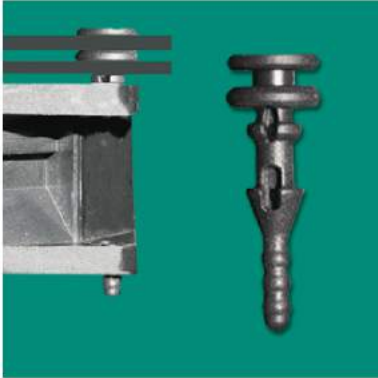
MATERIAL: SILICONE
COLOR: BLACK



PART NO	A CHASSIS THICKNESS	B HOLE IN CHASSIS	C HOLE IN FAN	D FAN CHASSIS THICKNESS	E	PACKAGE
SRD-3TF	2.0	∅4.0	∅3.5	5.0	25.0	2000
SRD-4GM	0.8	∅6.0	∅4.3	15.0	44.7	

5-8-1

風扇鉚釘 FAN SNAP RIVET



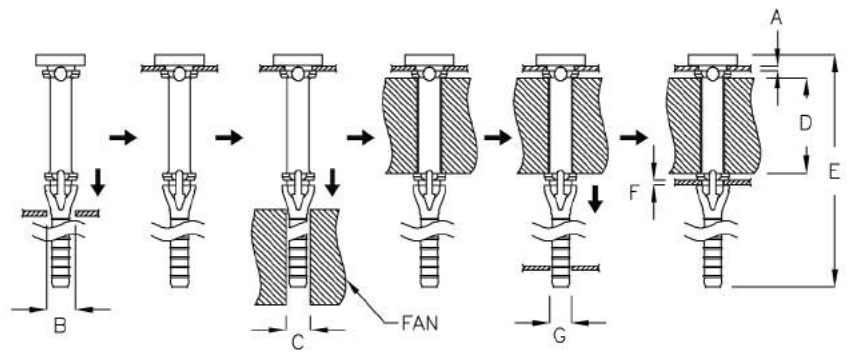
B: HOLE IN CHASSIS

MATERIAL: SILICONE
COLOR: BLACK

PART NO	A CHASSIS THICKNESS	B HOLE IN CHASSIS	C HOLE IN FAN	D FAN CHASSIS THICKNESS	F CHASSIS THICKNESS	G HOLE IN CHASSIS	E	PACKAGE
SRD-4PW	1.5	ø4.2	ø3.5	5.0	1.5	ø3.5	26.0	1000

5-8-2

風扇鉚釘 FAN SNAP RIVET

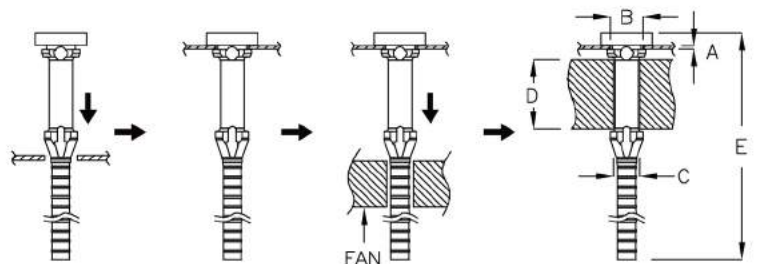
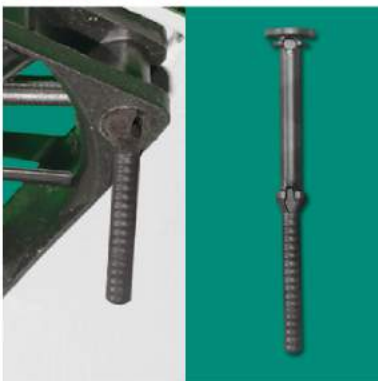


MATERIAL: SILICONE
COLOR: BLACK

PART NO	A CHASSIS THICKNESS	B HOLE IN CHASSIS	C HOLE IN FAN	D FAN CHASSIS THICKNESS	E	F CHASSIS THICKNESS	G HOLE IN CHASSIS	PACKAGE
SRD-3QW	0.8	ø4.5	ø3.5	28.0	72.7	0.8	ø3.5	500

5-8-3

風扇鉚釘 FAN SNAP RIVET



MATERIAL: SILICONE
COLOR: BLACK

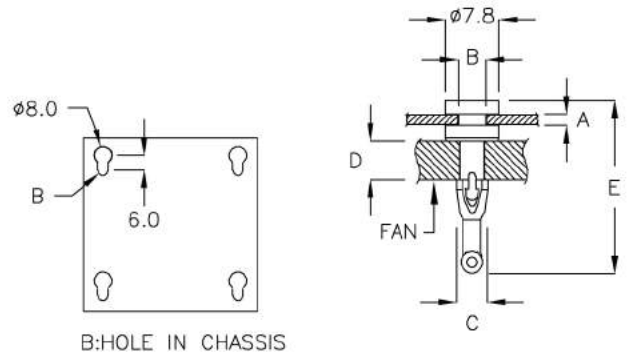
PART NO	A CHASSIS THICKNESS	B HOLE IN CHASSIS	C HOLE IN FAN	D FAN CHASSIS THICKNESS	E	PACKAGE
SRD-3A	0.8	ø4.5	ø3.5	28.0	70.7	500
SRD-3JK	0.8	ø4.5	ø3.5	20.0	54.7	

5-9-1

風扇鉚釘 FAN SNAP RIVET



COLOR: BLACK



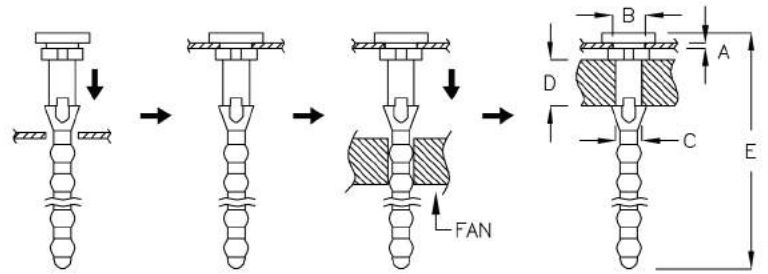
PART NO	MATERIAL	A CHASSIS THICKNESS	B HOLE IN CHASSIS	C HOLE IN FAN	D FAN CHASSIS THICKNESS	E	PACKAGE
SR-17Y	TPR,94V-0	1.6	ø4.1	ø3.6	6.5	27.65	2000
SR-20Y	TPR,94V-0	1.6	ø4.1	ø3.6	5.5	25.0	
SR-41Y	SILICONE	1.0	ø4.0	ø4.0	4.0	25.5	

5-9-2

風扇鉚釘 FAN SNAP RIVET



MATERIAL: SILICONE
TPE
COLOR: BLACK



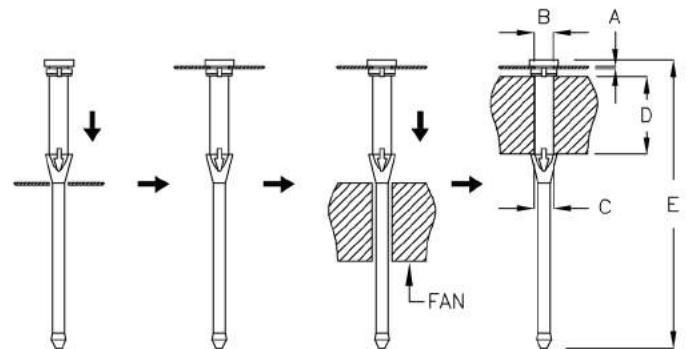
PART NO	MATERIAL	A CHASSIS THICKNESS	B HOLE IN CHASSIS	C HOLE IN FAN	D FAN CHASSIS THICKNESS	E	PACKAGE
SRD-4A	SILICONE	1.0	ø4.4	ø4.0	25.4	65.8	500
SRD-4C	TPE	0.8	ø5.0	ø4.0	25.4	65.4	

5-9-3

風扇鉚釘 FAN SNAP RIVET



MATERIAL: SILICONE
COLOR: BLACK

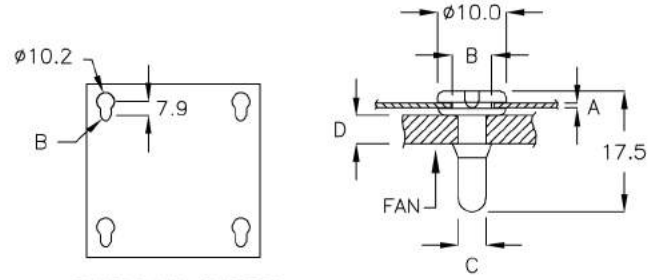


PART NO	A CHASSIS THICKNESS	B HOLE IN CHASSIS	C HOLE IN FAN	D FAN CHASSIS THICKNESS	E	PACKAGE
SRD-5H	0.8	ø4.2	ø4.2	20.0	69.3	500

風扇鉚釘 FAN SNAP RIVET



MATERIAL: TPE
COLOR: BLACK



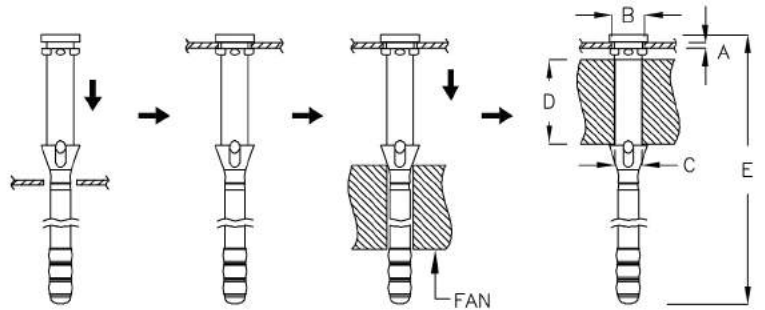
B: HOLE IN CHASSIS

PART NO	A CHASSIS THICKNESS	B HOLE IN CHASSIS	C HOLE IN FAN	D FAN CHASSIS THICKNESS	PACKAGE
SR-15C	0.8	ø5.9	ø4.2	4.0	2000

風扇鉚釘 FAN SNAP RIVET



MATERIAL: TPE
COLOR: BLACK

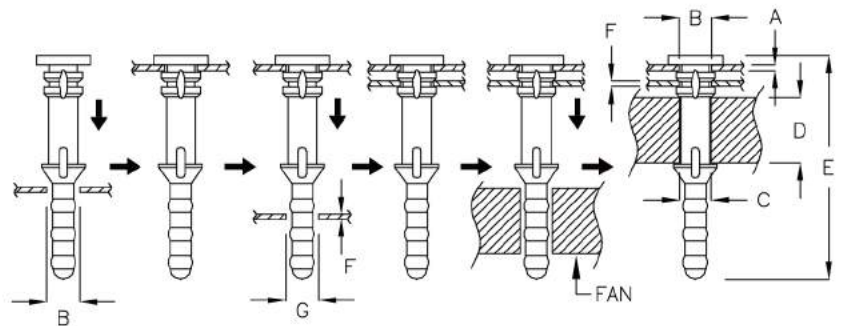


PART NO	MATERIAL	A CHASSIS THICKNESS	B HOLE IN CHASSIS	C HOLE IN FAN	D FAN CHASSIS THICKNESS	E	PACKAGE
SRD-4KH	TPE	1.0	ø4.3	ø4.3	15.0	46.5	1000

風扇鉚釘 FAN SNAP RIVET

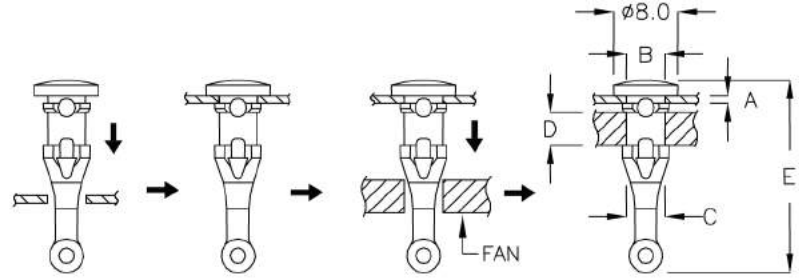


MATERIAL: SILICONE
COLOR: BLACK



PART NO	A CHASSIS THICKNESS	B HOLE IN CHASSIS	C HOLE IN FAN	D FAN CHASSIS THICKNESS	E	F CHASSIS THICKNESS	G HOLE IN CHASSIS	PACKAGE
SRD-4D	1.0~1.2	ø4.3	ø4.3	38.0	81.2	0.8~1.0	ø4.3	500

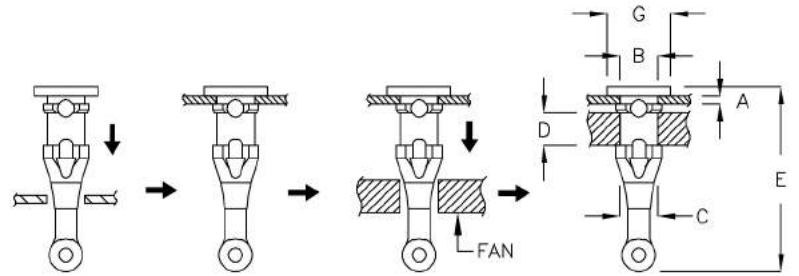
風扇鉚釘 FAN SNAP RIVET



MATERIAL: TPE
COLOR: BLACK

PART NO	A CHASSIS THICKNESS	B HOLE IN CHASSIS	C HOLE IN FAN	D FAN CHASSIS THICKNESS	E	PACKAGE
SR-22GS	1.0	ø4.3	ø4.3	4.0	23.2	2000

風扇鉚釘 FAN SNAP RIVET

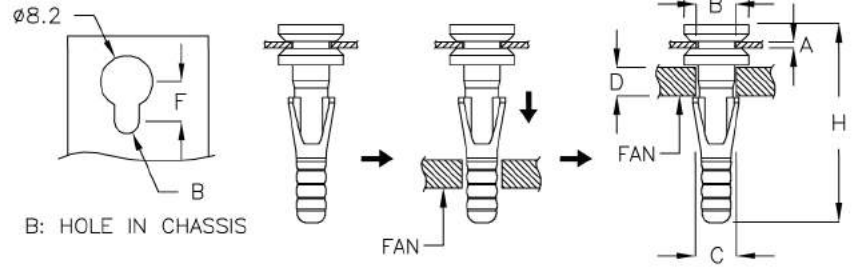


MATERIAL: SILICONE, TPE
COLOR: BLACK

PART NO	MATERIAL	A CHASSIS THICKNESS	B HOLE IN CHASSIS	C HOLE IN FAN	D FAN CHASSIS THICKNESS	E	G	PACKAGE
SR-16Y	TPE	0.9	ø4.6	ø4.6	4.0	22.2	ø7.6	2000
SR-22A	TPE	1.0	ø4.5	ø4.5	4.0	22.2	ø7.6	
SR-22BL	TPE	1.0	ø4.5	ø4.5	4.0	22.8	ø7.6	
SR-22C	TPE	1.0	ø4.5	ø4.5	3.0	22.2	ø7.6	
SR-22D	TPE	0.8	ø4.5	ø4.5	4.0	22.2	ø7.6	
SR-22F	TPE	0.8	ø4.5	ø4.5	3.0	22.2	ø7.6	
SR-22H	SILICONE	1.0	ø4.3	ø4.3	4.0	22.2	ø7.6	
SR-22J	TPE	1.0	ø4.3	ø4.3	3.0	22.2	ø7.6	
SR-22K	TPE	0.8	ø4.3	ø4.3	4.0	22.2	ø7.6	
SR-22L	TPE	0.8	ø4.3	ø4.3	3.0	22.2	ø7.6	
SR-22MP	SILICONE	2.0	ø4.8	ø4.3	4.5	23.6	ø8.0	
SR-22XW	SILICONE	1.2	ø4.5	ø4.5	4.0	22.7	ø9.3	

5-12-1

風扇鉚釘 FAN SNAP RIVET

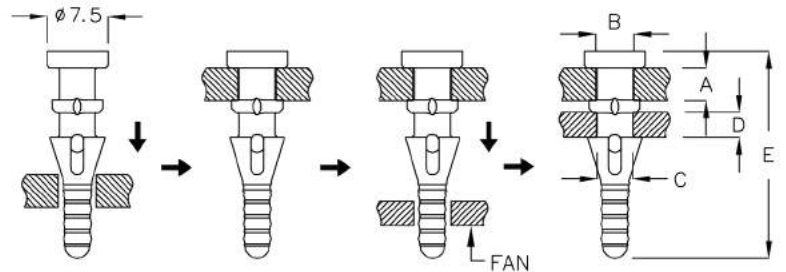


MATERIAL: TPE
COLOR: BLACK

PART NO	A CHASSIS THICKNESS	B HOLE IN CHASSIS	C HOLE IN FAN	D FAN CHASSIS THICKNESS	E	F	H	PACKAGE
SRD-7AK	0.8	ø4.4	ø4.3	4.0	7.8	6.1	23.9	1000
SRD-21Y	1.0	ø4.5	ø4.5	4.0	8.0	6.2	22.6	2000
SRD-25GW	1.0	ø4.5	ø4.3	5.4	7.8	6.2	25.7	1000

5-12-2

風扇鉚釘 FAN SNAP RIVET

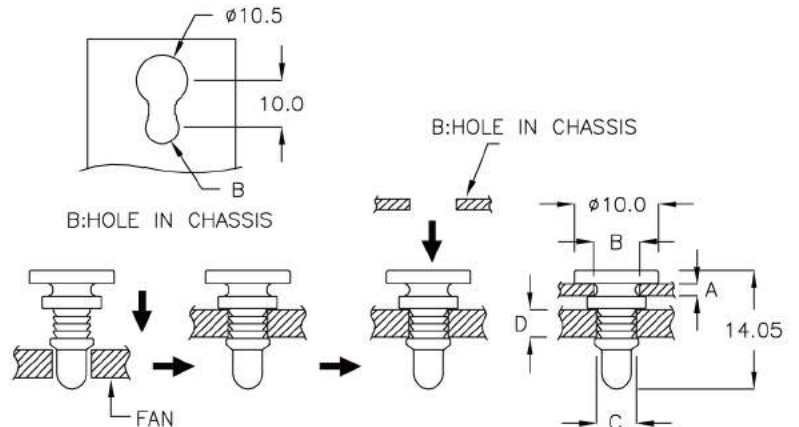


MATERIAL: TPE
COLOR: BLACK

PART NO	A CHASSIS THICKNESS	B HOLE IN CHASSIS	C HOLE IN FAN	D FAN CHASSIS THICKNESS	E	PACKAGE
SRD-4NH	4.0	ø4.65	ø4.3	4.0	25.4	1000

5-12-3

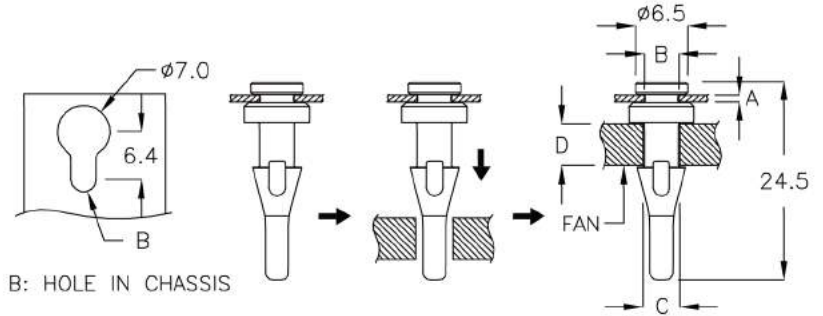
風扇鉚釘 FAN SNAP RIVET



MATERIAL: SILICONE
COLOR: BLACK

PART NO	A CHASSIS THICKNESS	B HOLE IN CHASSIS	C HOLE IN FAN	D FAN CHASSIS THICKNESS	PACKAGE
SRCM-5K	1.6	ø5.6	ø4.3	4.0	2000

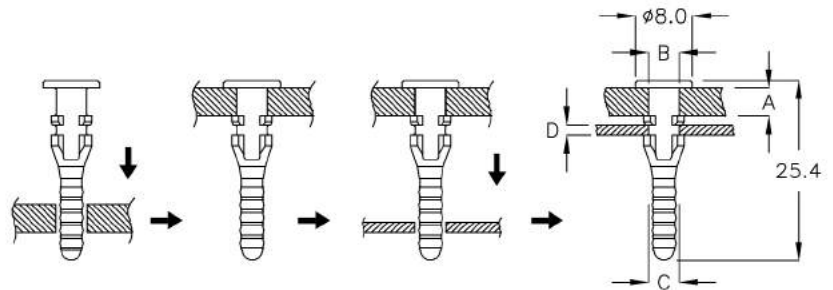
風扇鉚釘 FAN SNAP RIVET



MATERIAL: SILICONE
COLOR: BLACK

PART NO	A CHASSIS THICKNESS	B HOLE IN CHASSIS	C HOLE IN FAN	D FAN CHASSIS THICKNESS	PACKAGE
SRL-24JK	0.9	ø4.1	ø4.4	5.6	2000

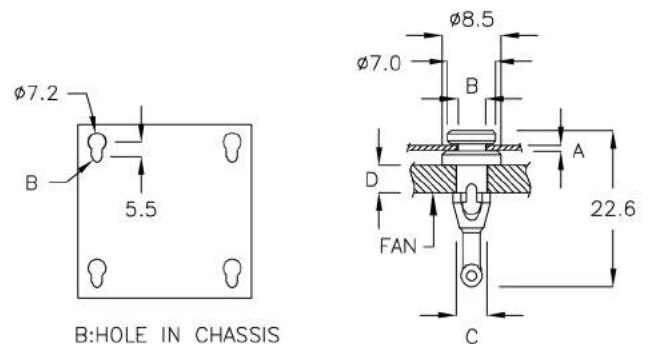
風扇鉚釘 FAN SNAP RIVET



MATERIAL: TPE
COLOR: BLACK

PART NO	A FAN CHASSIS THICKNESS	B HOLE IN FAN	C HOLE IN CHASSIS	D CHASSIS THICKNESS	PACKAGE
SRCK-4FA	4.0	ø4.4	ø4.4	1.5	2000

風扇鉚釘 FAN SNAP RIVET



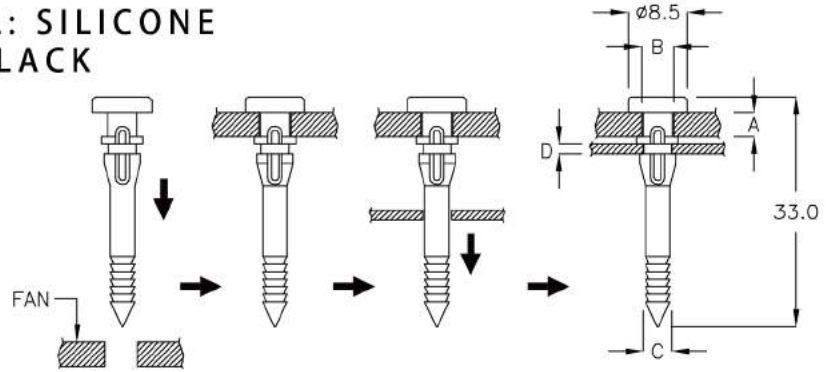
MATERIAL: TPR
FLAME CLASS: 94V-0
COLOR: BLACK

PART NO	A CHASSIS THICKNESS	B HOLE IN CHASSIS	C HOLE IN FAN	D FAN CHASSIS THICKNESS	PACKAGE
SR-26Y	1.0	ø4.1	ø4.5	4.0	1000

風扇鉚釘 FAN SNAP RIVET



MATERIAL: SILICONE
COLOR: BLACK

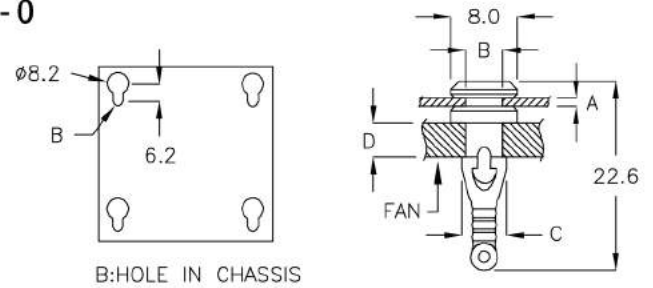


PART NO	A FAN CHASSIS THICKNESS	B HOLE IN FAN	C HOLE IN CHASSIS	D CHASSIS THICKNESS	PACKAGE
SRB-02	3.5	ø4.2	ø4.5	1.3	2000

風扇鉚釘 FAN SNAP RIVET



MATERIAL: TPR
FLAME CLASS: 94V-0
COLOR: BLACK

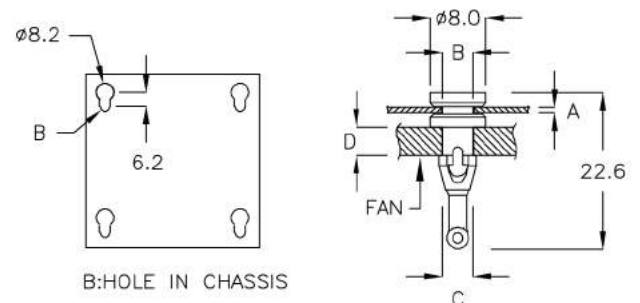


PART NO	A CHASSIS THICKNESS	B HOLE IN CHASSIS	C HOLE IN FAN	D FAN CHASSIS THICKNESS	PACKAGE
SR-21RK	1.0	ø4.5	ø4.5	4.0	2000

風扇鉚釘 FAN SNAP RIVET



MATERIAL: TPR
FLAME CLASS: 94V-0
COLOR: BLACK

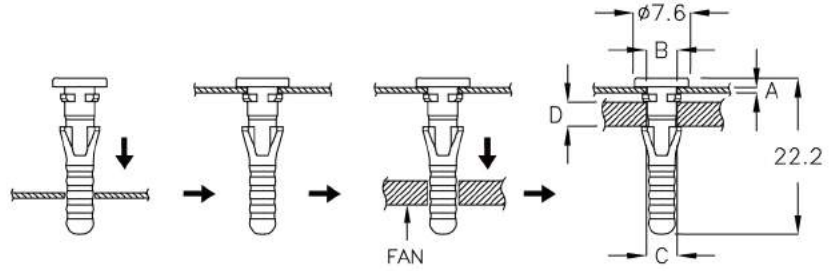


PART NO	A CHASSIS THICKNESS	B HOLE IN CHASSIS	C HOLE IN FAN	D FAN CHASSIS THICKNESS	PACKAGE
SR-21Y	1.0	ø4.5	ø4.5	4.0	2000

風扇鉚釘 FAN SNAP RIVET

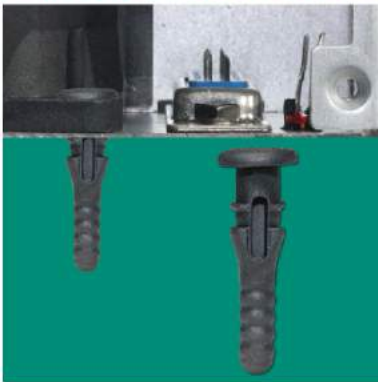


MATERIAL: TPE
COLOR: BLACK

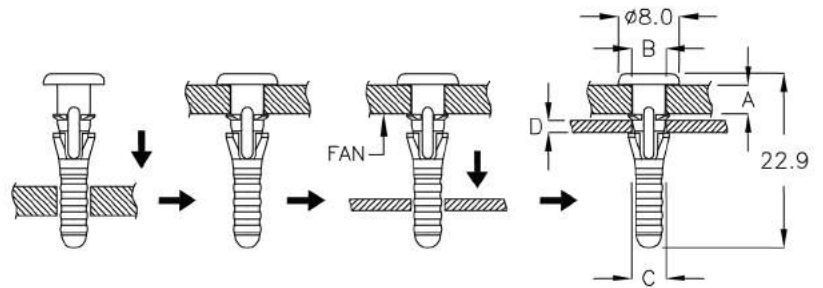


PART NO	A CHASSIS THICKNESS	B HOLE IN CHASSIS	C HOLE IN FAN	D FAN CHASSIS THICKNESS	PACKAGE
SRD-22AT	1.0	ø4.5	ø4.5	4.0	2000

風扇鉚釘 FAN SNAP RIVET



MATERIAL: TPE
COLOR: BLACK

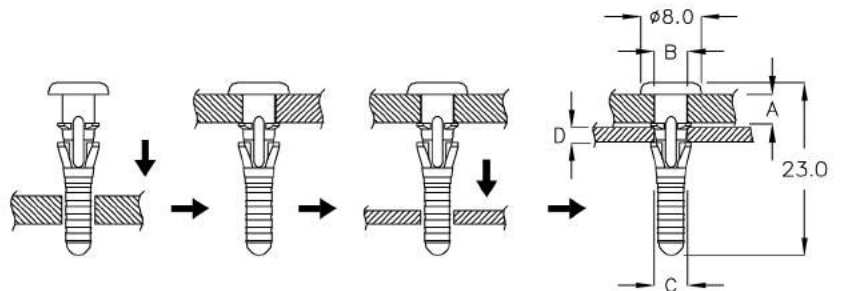


PART NO	A FAN THICKNESS	B HOLE IN FAN	C HOLE IN CHASSIS	D CHASSIS THICKNESS	PACKAGE
SRBK-4TK	4.0	ø4.5	ø4.5	2.0	2000

風扇鉚釘 FAN SNAP RIVET

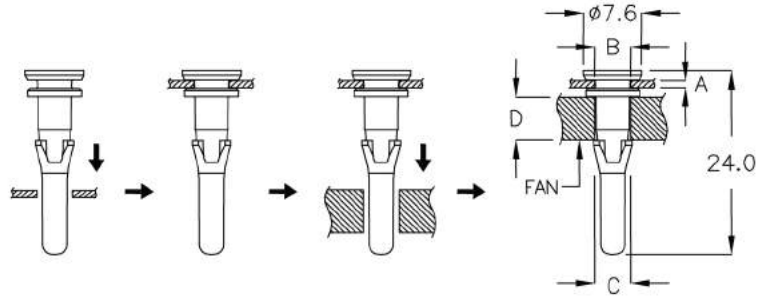


MATERIAL: TPE
COLOR: BLACK



PART NO	A FAN THICKNESS	B HOLE IN FAN	C HOLE IN CHASSIS	D CHASSIS THICKNESS	PACKAGE
SRCK-4JL	4.0	ø4.5	ø4.5	2.0	2000

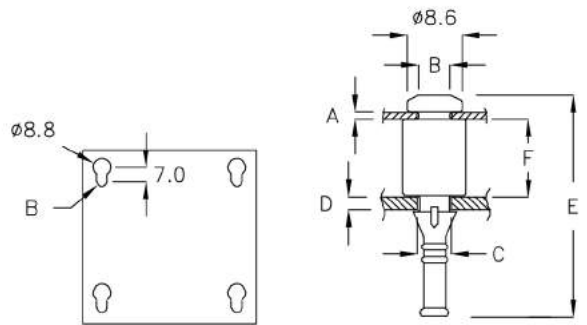
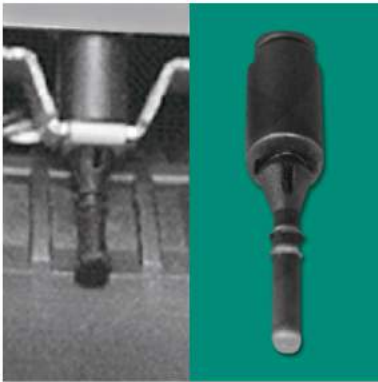
風扇鉚釘 FAN SNAP RIVET



MATERIAL: TPE
COLOR: BLACK

PART NO	A CHASSIS THICKNESS	B HOLE IN CHASSIS	C HOLE IN FAN	D FAN CHASSIS THICKNESS	PACKAGE
SRD-24D	1.0	ø4.5	ø4.5	6.0	2000

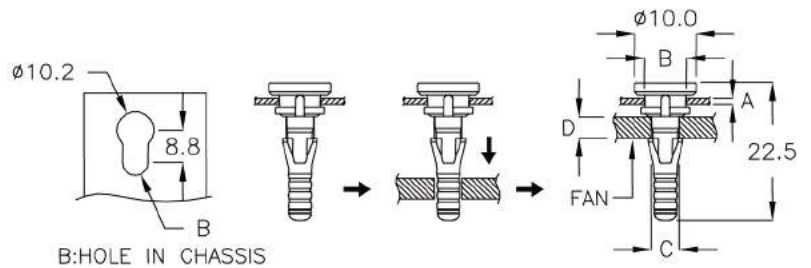
風扇鉚釘 FAN SNAP RIVET



MATERIAL: SILICONE
COLOR: BLACK

PART NO	A CHASSIS THICKNESS	B HOLE IN CHASSIS	C HOLE IN CHASSIS	D FAN CHASSIS THICKNESS	E	F	PACKAGE
SR-33Y	1.2	ø5.0	ø4.6	2.5	34.3	11.4	500
SR-36Y	1.2	ø5.0	ø4.6	2.5	34.9	12.0	

風扇鉚釘 FAN SNAP RIVET



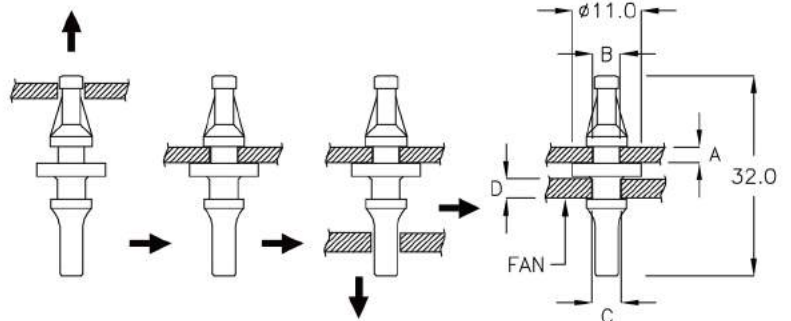
MATERIAL: TPE
COLOR: BLACK

PART NO	A CHASSIS THICKNESS	B HOLE IN CHASSIS	C HOLE IN FAN	D FAN CHASSIS THICKNESS	PACKAGE
SRD-21SA	1.0	ø7.1	ø4.5	4.0	2000

風扇鉚釘 FAN SNAP RIVET



MATERIAL: SILICONE
COLOR: BLACK

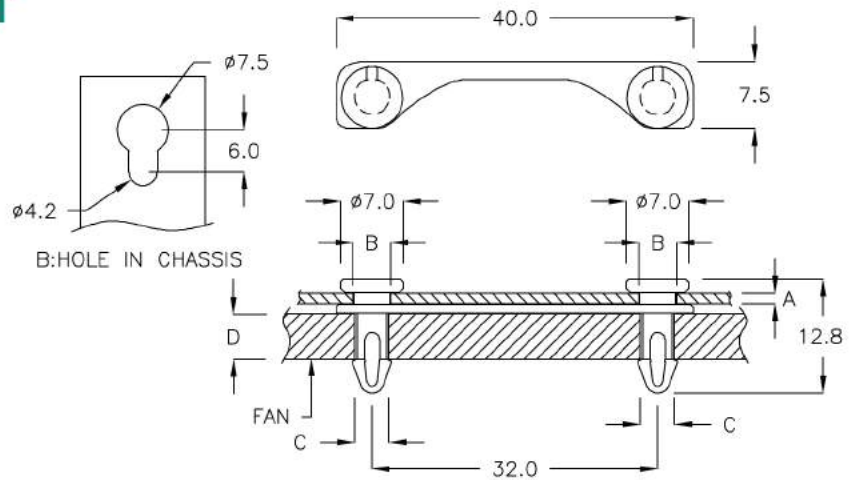


PART NO	A CHASSIS THICKNESS	B HOLE IN CHASSIS	C HOLE IN FAN	D FAN CHASSIS THICKNESS	PACKAGE
SRA-03	3.0	ø4.7	ø4.8	4.0	1000

風扇固定扣 FAN SNAP RIVET



MATERIAL: NYLON 66(UL)
FLAME CLASS: 94V-2
COLOR: BLACK

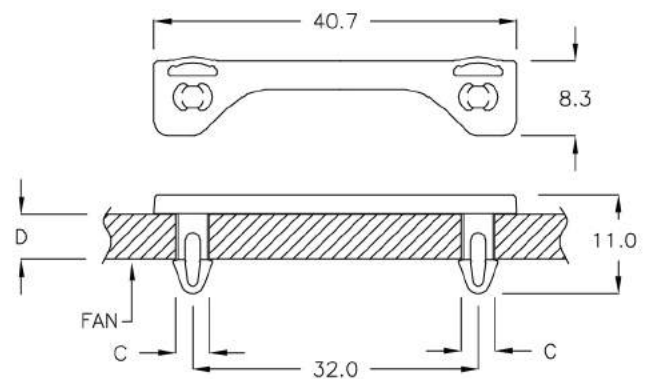


PART NO	A CHASSIS THICKNESS	B HOLE IN CHASSIS	C HOLE IN FAN	D FAN CHASSIS THICKNESS	PACKAGE
LHK-40	1.2	ø4.2	ø3.5	5.0	200

風扇固定扣 FAN SNAP RIVET



MATERIAL: NYLON 66(UL)
FLAME CLASS: 94V-2
COLOR: BLACK

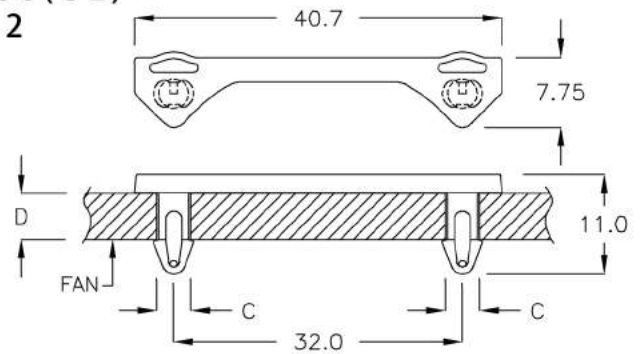


PART NO	C HOLE IN FAN	D FAN CHASSIS THICKNESS	PACKAGE
LHQ-40M	ø3.5	5.0	200

風扇固定扣 FAN SNAP RIVET



MATERIAL: NYLON 66(UL)
 FLAME CLASS: 94V-2
 COLOR: BLACK

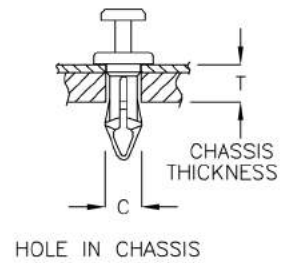


PART NO	C HOLE IN FAN	D FAN CHASSIS THICKNESS	PACKAGE
LHQ-40KP	∅3.5	5.0	200

鉚釘 MOUNTING BUTTON



MATERIAL: NYLON 66(UL)
 FLAME CLASS: 94V-2
 COLOR: BLACK

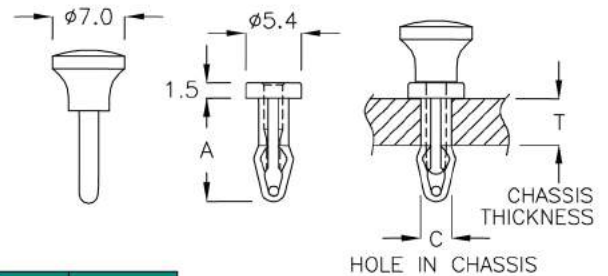


PART NO	A	C	T CHASSIS THICKNESS	PACKAGE
SR-02Y	8.9	∅3.1	2.5~3.2	2000
SR-03Y	10.0	∅3.2	4.2~4.5	
SR-4Y	12.3	∅4.3	5.6~6.4	
SR-06C	10.8	∅4.5	5.6~6.0	
SR-06Y	10.8	∅4.6	5.6~6.0	
SR-08Y	10.7	∅4.65	5.2~5.7	

尼龍鉚釘 SNAP RIVET



MATERIAL: NYLON 66(UL)
 FLAME CLASS: 94V-2
 COLOR: BLACK

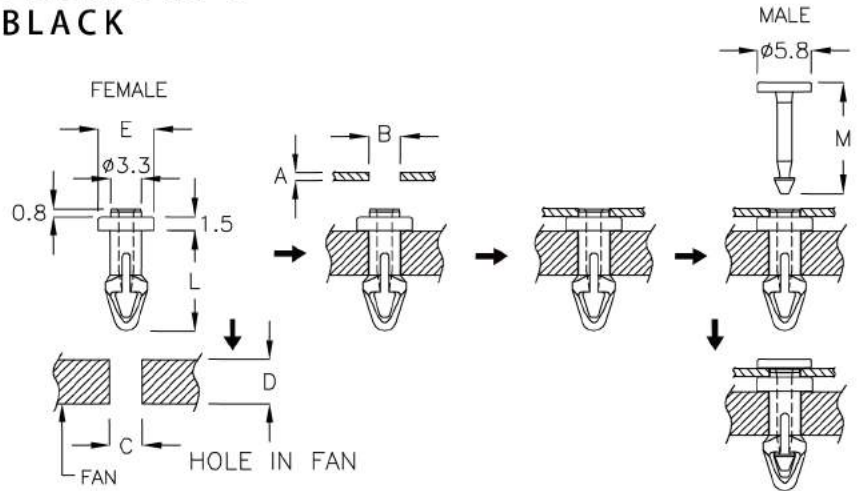


PART NO	A	C	T CHASSIS THICKNESS	PACKAGE
SRXM-3Y	10.0	∅3.0	4.8	2000

風扇鉚釘 FAN SNAP RIVET



MALE MATERIAL: NYLON 66(UL)
FLAME CLASS: 94V-0
FEMALE MATERIAL: TPE
FLAME CLASS: 94V-0
COLOR: BLACK

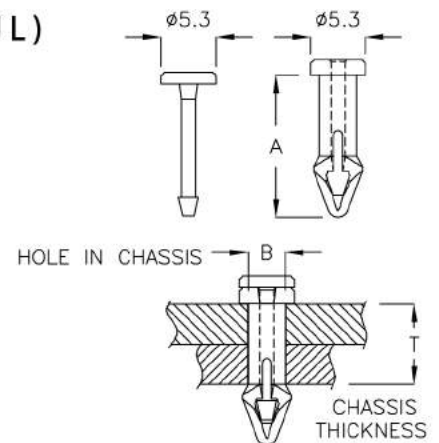


PART NO	A CHASSIS THICKNESS	B HOLE IN CHASSIS	C HOLE IN FAN	D FAN CHASSIS THICKNESS	E	L	M	PACKAGE
SQR-3AK	0.8	3.5	3.5	5.0	6.0	10.85	11.8	2000
SQR-3DP	1.0	3.5	3.5	5.0	6.0	10.85	12.0	
SQR-3KM	0.8	3.5	3.5	4.0	6.8	9.95	10.7	
SQR-3GF	1.0	3.5	3.5	4.0	6.8	9.95	10.9	

風扇鉚釘 FAN SNAP RIVET

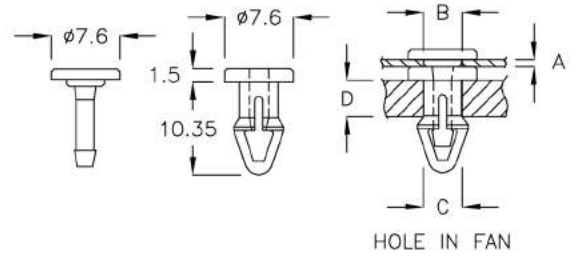
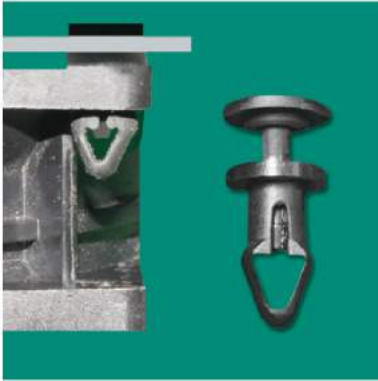


MALE MATERIAL: NYLON 66(UL)
FLAME CLASS: 94V-2
FEMALE MATERIAL: TPE
COLOR: BLACK



PART NO	A	B HOLE IN CHASSIS	T CHASSIS THICKNESS	PACKAGE
SR-14Y	13.65	3.6	8.1~8.3	2000

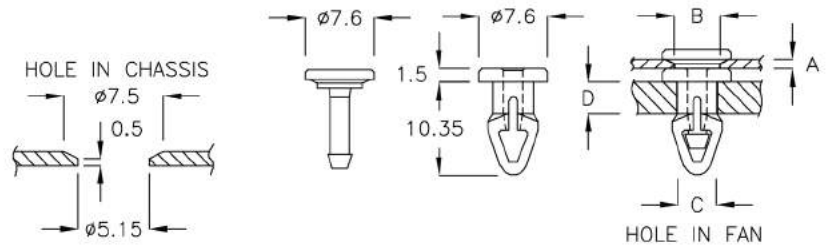
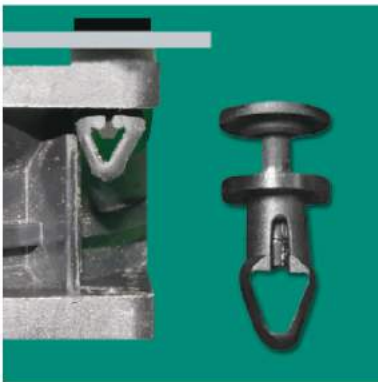
風扇鉚釘 FAN SNAP RIVET



MALE MATERIAL: NYLON 66(UL)
 FLAME CLASS: 94V-2
 FEMALE MATERIAL: PU
 COLOR: BLACK

PART NO	A CHASSIS THICKNESS	B HOLE IN CHASSIS	C HOLE IN FAN	D FAN CHASSIS THICKNESS	PACKAGE
SR-11Y	0.8	∅4.6	∅4.45	4.3~4.5	2000
SR-12Y	0.8	∅4.6	∅4.45	4.5~4.7	
SR-45Y	0.8	∅4.6	∅4.3	3.0	

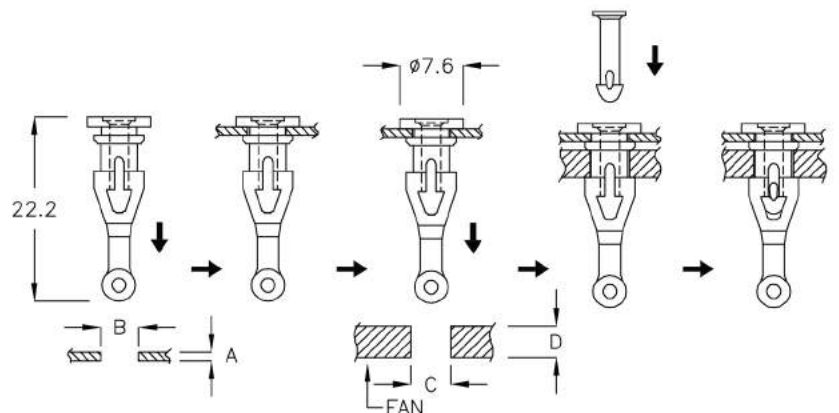
風扇鉚釘 FAN SNAP RIVET



MALE MATERIAL: NYLON 66(UL)
 FLAME CLASS: 94V-2
 FEMALE MATERIAL: TPE
 COLOR: BLACK

PART NO	A CHASSIS THICKNESS	B HOLE IN CHASSIS	C HOLE IN FAN	D FAN CHASSIS THICKNESS	PACKAGE
SR-13Y	1.0	∅5.0	∅4.45	4.0~4.2	2000

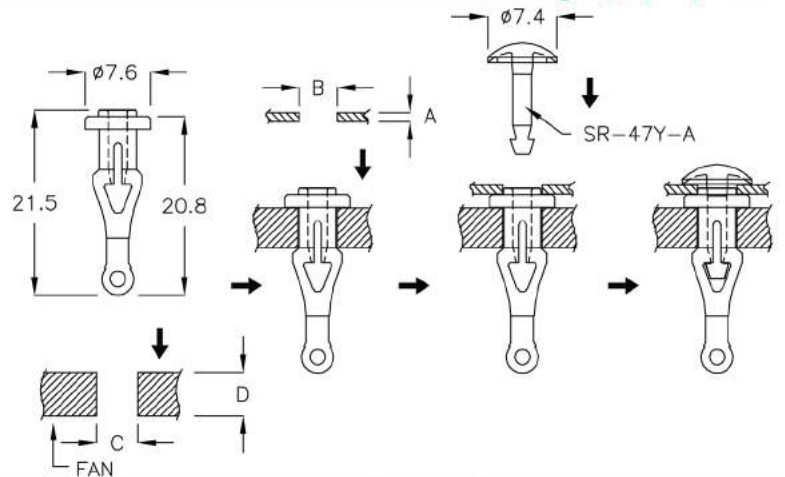
風扇鉚釘 FAN SNAP RIVET



MALE MATERIAL: NYLON 66(UL)
 FLAME CLASS: 94V-2
 FEMALE MATERIAL: TPE
 COLOR: BLACK

PART NO	A CHASSIS THICKNESS	B HOLE IN CHASSIS	C HOLE IN FAN	D FAN CHASSIS THICKNESS	PACKAGE
SR-15Y	1.0	∅4.6	∅4.6	3.8~4.0	2000

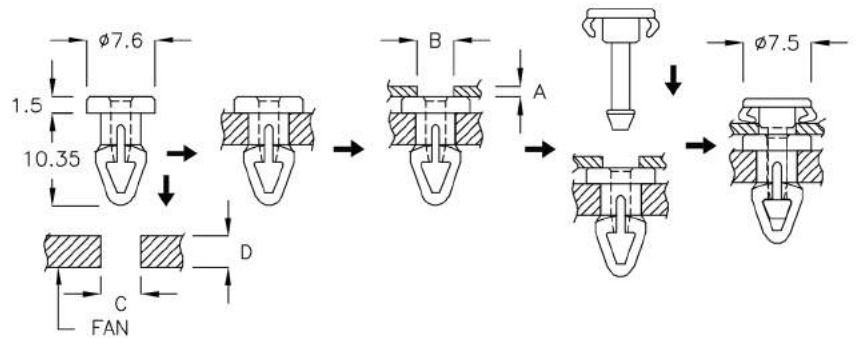
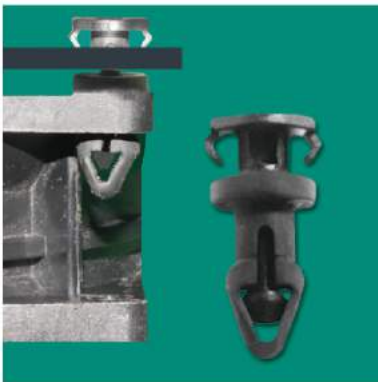
風扇鉚釘 FAN SNAP RIVET



MALE MATERIAL: NYLON 66(UL)
 FLAME CLASS: 94V-2
 FEMALE MATERIAL: TPE
 COLOR: BLACK

PART NO	A CHASSIS THICKNESS	B HOLE IN CHASSIS	C HOLE IN FAN	D FAN CHASSIS THICKNESS	PACKAGE
SRN-4YB	0.8	ø4.5	ø4.3	5.0	1000

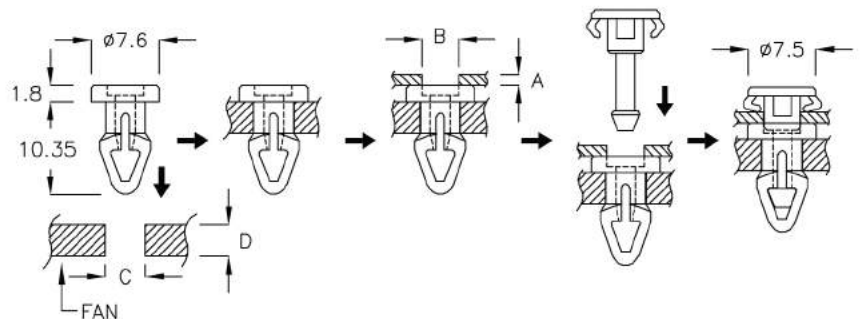
風扇鉚釘 FAN SNAP RIVET



MALE MATERIAL: NYLON 66(UL)
 FLAME CLASS: 94V-2
 FEMALE MATERIAL: TPE
 COLOR: BLACK

PART NO	A CHASSIS THICKNESS	B HOLE IN CHASSIS	C HOLE IN FAN	D FAN CHASSIS THICKNESS	PACKAGE
SR-19Y	0.8	ø4.1	ø4.45	4.0~4.2	2000

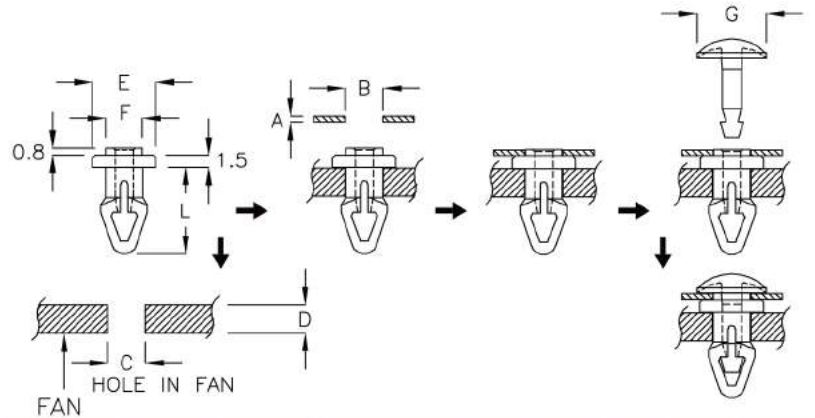
風扇鉚釘 FAN SNAP RIVET



MALE MATERIAL: NYLON 66(UL)
 FLAME CLASS: 94V-2
 FEMALE MATERIAL: TPE
 COLOR: BLACK

PART NO	A CHASSIS THICKNESS	B HOLE IN CHASSIS	C HOLE IN FAN	D FAN CHASSIS THICKNESS	PACKAGE
SR-23Y	1.2	ø4.1	ø4.45	4.0~4.2	2000
SR-24Y	0.8	ø4.1	ø4.45	4.0~4.2	

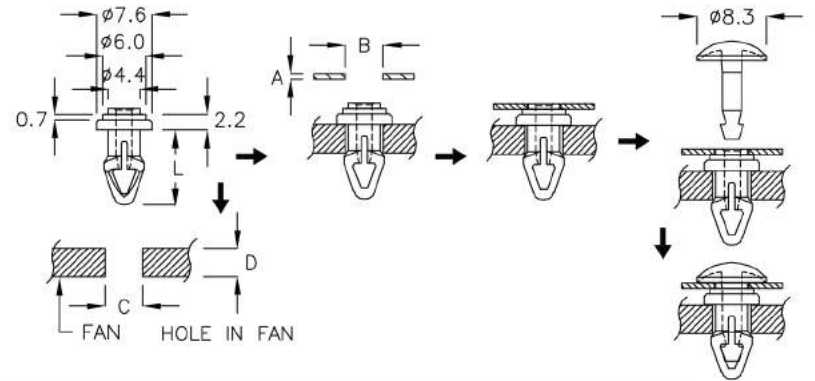
風扇鉚釘 FAN SNAP RIVET



MALE MATERIAL:
 NYLON 66(UL)
 FLAME CLASS: 94V-2
 FEMALE MATERIAL: TPE
 COLOR: BLACK

PART NO	A CHASSIS THICKNESS	B HOLE IN CHASSIS	C HOLE IN FAN	D FAN CHASSIS THICKNESS	E	F	G	L	PACKAGE
SR-38Y	0.8~1.2	ø4.5	ø4.45	4.0	ø7.6	ø4.4	ø8.3	10.35	2000
SR-42Y	0.8~1.0	ø3.5	ø3.5	5.0	ø6.0	ø3.35	ø5.8	11.3	

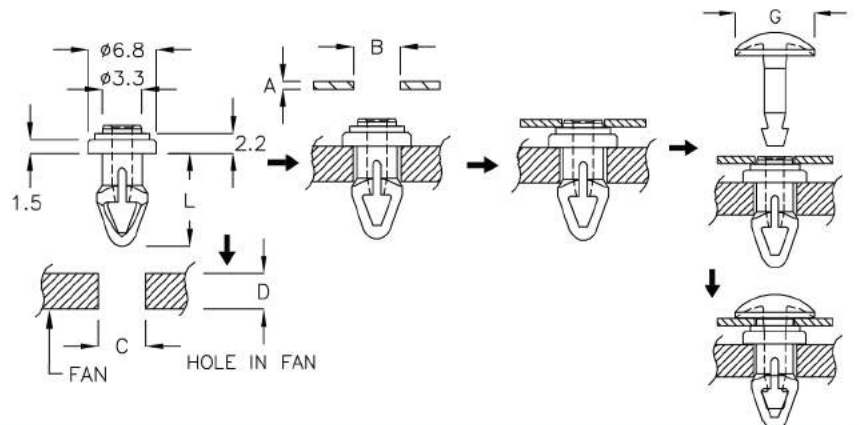
風扇鉚釘 FAN SNAP RIVET



MALE MATERIAL:
 NYLON 66(UL)
 FLAME CLASS: 94V-2
 FEMALE MATERIAL: TPE
 COLOR: BLACK

PART NO	A CHASSIS THICKNESS	B HOLE IN CHASSIS	C HOLE IN FAN	D FAN CHASSIS THICKNESS	L	PACKAGE
SR-39Y	0.8~1.2	ø4.5	ø4.45	4.0	10.35	2000
SR-43Y	0.8~1.2	ø4.5	ø4.3	3.5	9.95	

風扇鉚釘 FAN SNAP RIVET



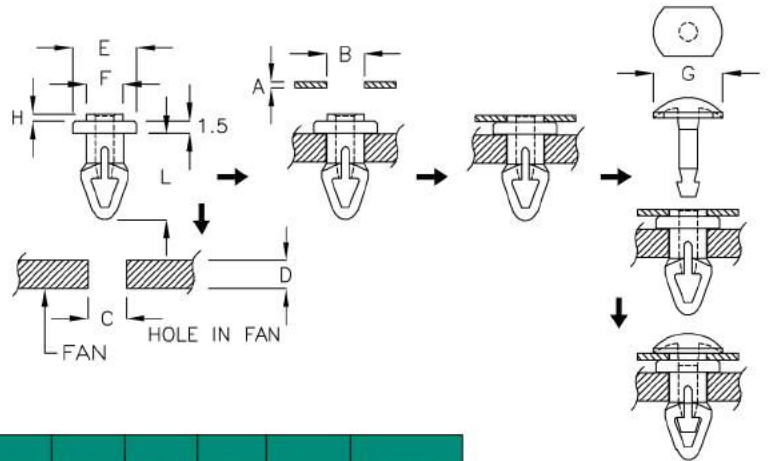
MALE MATERIAL:
 NYLON 66(UL)
 FLAME CLASS: 94V-2
 FEMALE MATERIAL: TPE
 COLOR: BLACK

PART NO	A CHASSIS THICKNESS	B HOLE IN CHASSIS	C HOLE IN FAN	D FAN CHASSIS THICKNESS	G	L	PACKAGE
SR-44Y	0.8	ø3.5	ø3.5	4.0	ø7.5	9.95	2000
SR-48Y	1.0	ø3.5	ø3.5	4.0	ø5.8	9.95	

風扇鉚釘 FAN SNAP RIVET



MALE MATERIAL: NYLON 66(UL)
 FLAME CLASS: 94V-2
 FEMALE MATERIAL: TPE
 COLOR: BLACK

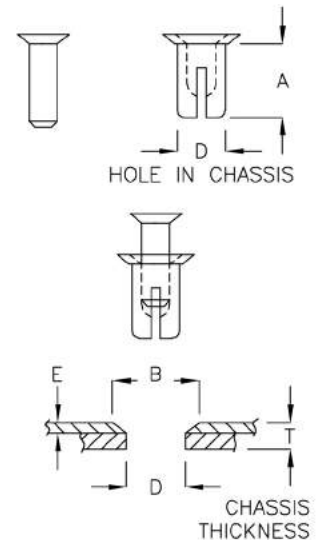


PART NO	A CHASSIS THICKNESS	B HOLE IN CHASSIS	C HOLE IN FAN	D FAN CHASSIS THICKNESS	E	F	G	H	L	PACKAGE
SR-46Y	1.0~1.2	ø4.5	ø4.45	4.0	ø7.6	ø4.4	ø7.4	0.8	10.35	2000
SR-47Y	0.8	ø4.5	ø4.3	5.0	ø7.6	ø4.4	ø7.4	0.7	11.35	

尼龍鉚釘 SNAP RIVET

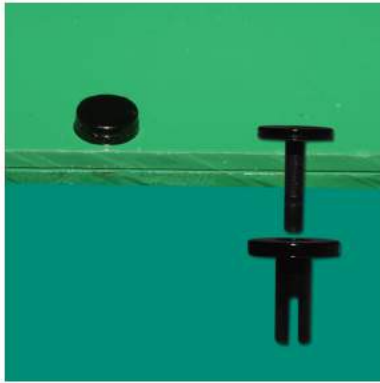


MATERIAL: NYLON 66(UL)
 FLAME CLASS: 94V-2
 COLOR: BLACK

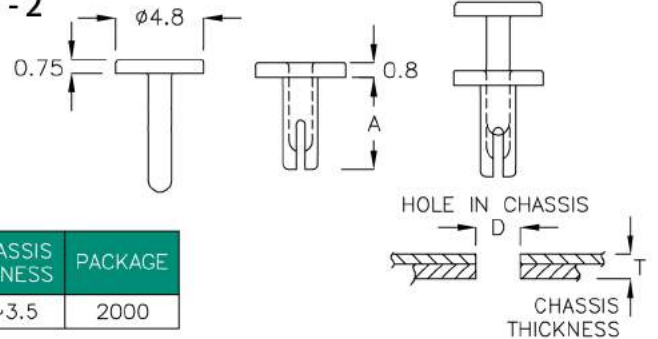


PART NO	HOLE D	A	B	T CHASSIS THICKNESS	E	PACKAGE
SR-3P	ø3.0	8.25	6.5	5.1~5.3	1.25	2000
SR-3RY	ø3.4	3.0	5.9	2.7~2.95	0.8	
SR-4B	ø4.0	6.35	6.5	3.5~3.9	0.7	
SR-4CA	ø4.0	6.2	6.5	3.5~4.9	0.8	
SR-4P	ø4.0	8.4	6.5	4.3~5.6	0.8	
SR-4PF	ø4.0	7.25	5.8	5.7~6.0	0.9	
SR-4PL	ø4.0	10.4	6.5	6.8~8.8	0.8	
SR-4PJ	ø3.9	15.0	6.5	12.0~13.0	1.5	

尼龍鉚釘 SNAP RIVET



MATERIAL: NYLON 66(UL)
 FLAME CLASS: 94V-2
 COLOR: BLACK

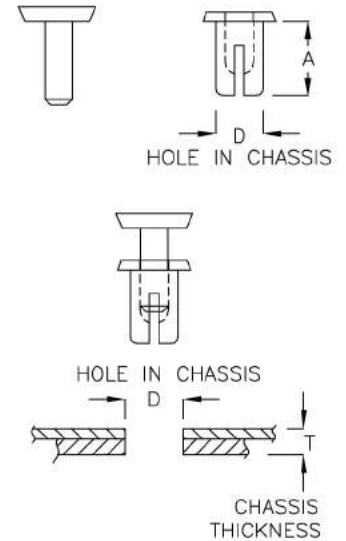


PART NO	HOLE D	A	T CHASSIS THICKNESS	PACKAGE
SR-2TK	φ2.0	5.0	2.8~3.5	2000

尼龍鉚釘 SNAP RIVET



MATERIAL: NYLON 66(UL)
 FLAME CLASS: 94V-2
 COLOR: BLACK

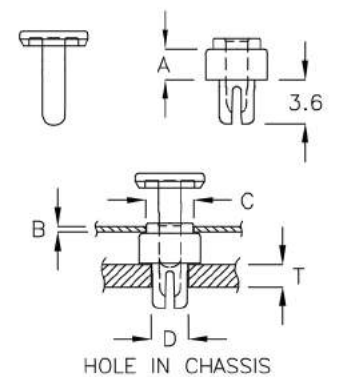


PART NO	HOLE D	A	T CHASSIS THICKNESS	PACKAGE
SR-3XK	φ3.0	7.5	3.5~4.6	2000
SR-3T	φ3.0	7.6	3.5~4.6	
SR-3TW	φ3.1	11.7	8.7~9.7	
SR-4T	φ4.0	8.1	3.7~5.2	
SR-4K	φ4.3	8.3	4.0~6.0	
SR-4LQ	φ4.5	10.5	6.0~7.2	

尼龍鉚釘 SNAP RIVET



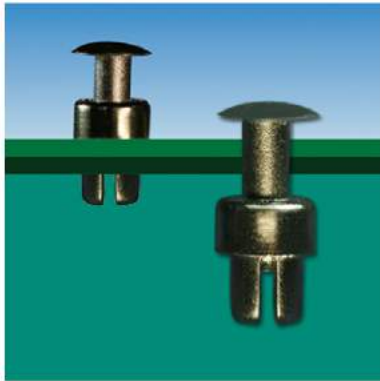
MATERIAL: NYLON 66(UL)
 FLAME CLASS: 94V-0
 COLOR: BLACK



PART NO	A	B CHASSIS THICKNESS	C HOLE IN CHASSIS	D HOLE IN CHASSIS	T CHASSIS THICKNESS	PACKAGE
SRMR-2H	2.5	0.25	φ3.0	φ2.0	1.6	2000
SRMR-3D	2.5	0.4	φ4.0	φ3.0	1.6	

PINGOOD

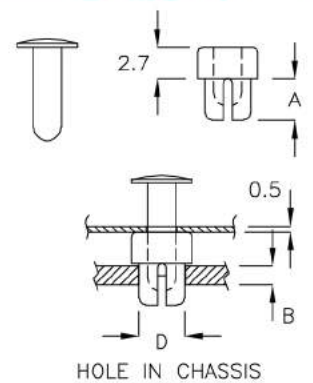
5-25-1



尼龍鉚釘 SNAP RIVET

MATERIAL: NYLON 66(UL)
FLAME CLASS: 94V-2
COLOR: BLACK

PART NO	A	B CHASSIS THICKNESS	D HOLE IN CHASSIS	PACKAGE
SR-4FH	3.6	1.6	ø4.0	2000



5-25-2

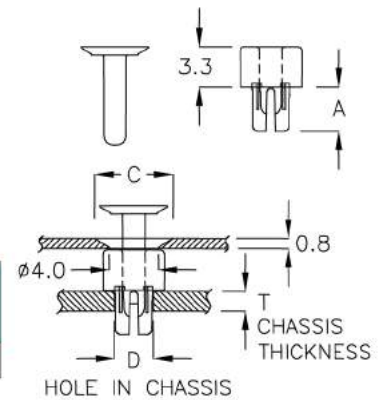


尼龍鉚釘 SNAP RIVET

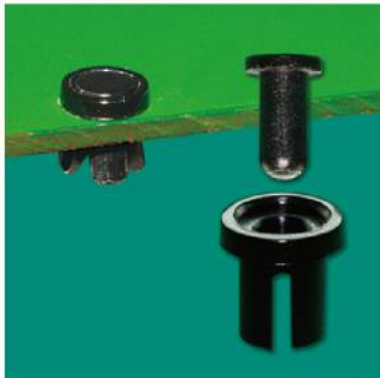
MATERIAL: NYLON 66(UL)
FLAME CLASS: 94V-2
COLOR: BLACK

NEW

PART NO	A	C HOLE IN CHASSIS	D HOLE IN CHASSIS	T CHASSIS THICKNESS	PACKAGE
SRMT-3C	3.6	ø6.4	ø3.18	1.6	2000



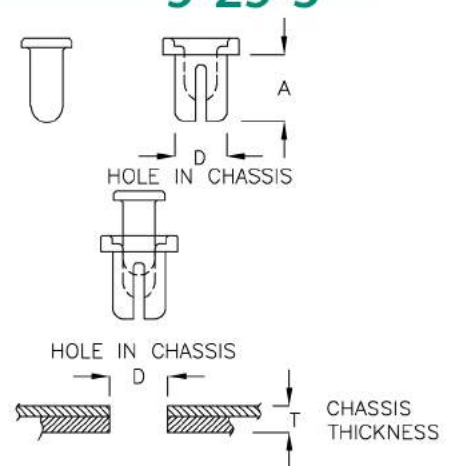
5-25-3



尼龍鉚釘 SNAP RIVET

MATERIAL: NYLON 66(UL)
FLAME CLASS: 94V-2
COLOR: BLACK

PART NO	HOLE D	A	T CHASSIS THICKNESS	PACKAGE
SRMF-4C	ø4.0	5.0	2.6	2000



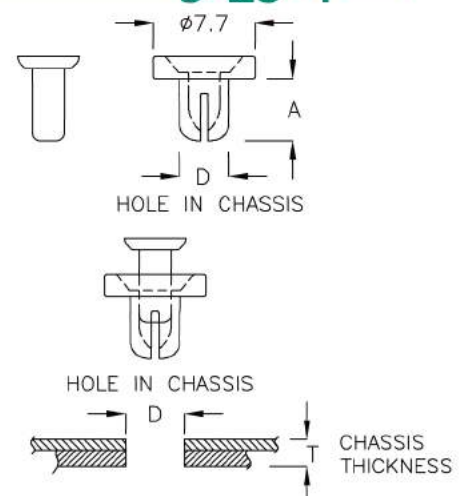
5-25-4



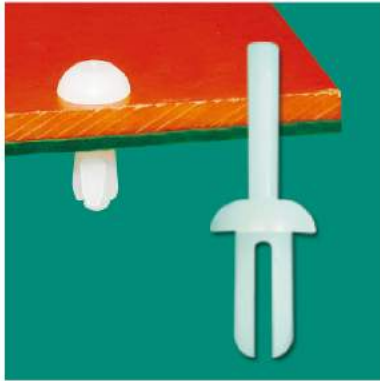
尼龍鉚釘 SNAP RIVET

MATERIAL: NYLON 66(UL)
FLAME CLASS: 94V-2
COLOR: BLACK

PART NO	HOLE D	A	T CHASSIS THICKNESS	PACKAGE
SR-4XT	ø4.0	4.7	1.8~2.5	2000



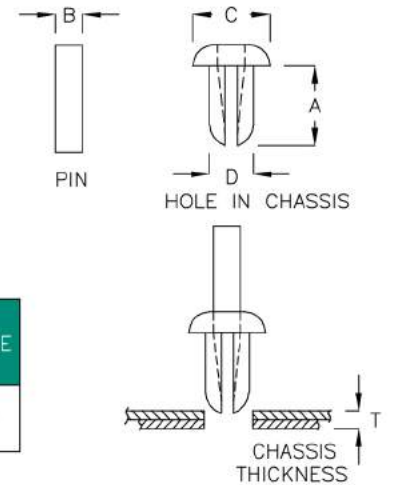
5-26-1



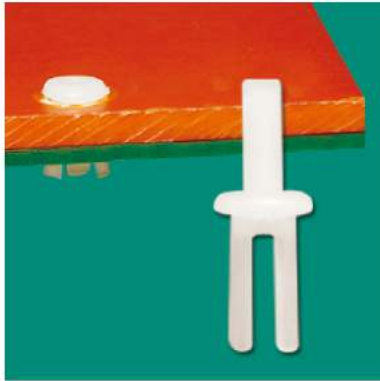
尼龍鉚釘 SNAP RIVET

MATERIAL: NYLON 66(UL)
FLAME CLASS: 94V-2
COLOR: NATURAL

PART NO	A	B	C	HOLE D	T CHASSIS THICKNESS	PACKAGE
MAA-3C	5.8	∅2.0	∅5.5	∅3.2	2.5~3.0	2000
MAA-4C	13.7	∅3.2	∅8.2	∅4.7	8.4~9.0	



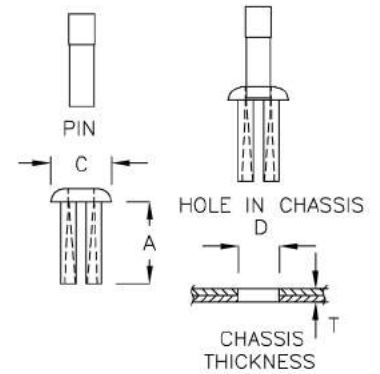
5-26-2



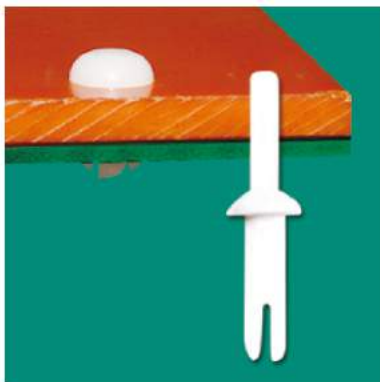
尼龍鉚釘 SNAP RIVET

MATERIAL: NYLON 66(UL)
FLAME CLASS: 94V-2
COLOR: NATURAL

PART NO	A	C	HOLE D	T CHASSIS THICKNESS	PACKAGE
MAB-3A	8.0	∅6.0	∅4.0	0.8~1.2	2000



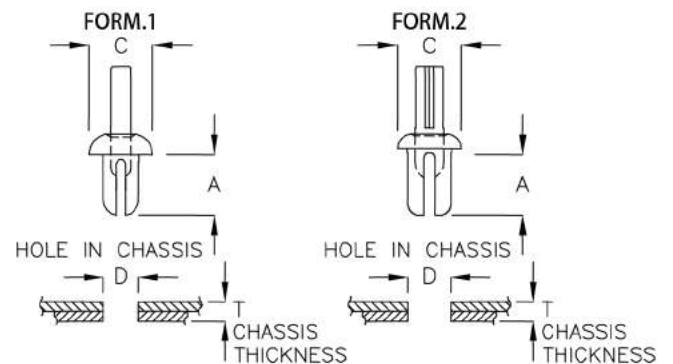
5-26-3



鉚釘 SNAP RIVET

MATERIAL: POM
COLOR: NATURAL

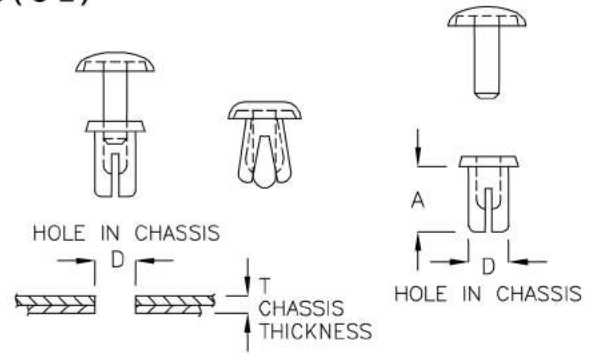
PART NO	A	C	HOLE D	T CHASSIS THICKNESS	FORM	PACKAGE
SRX-3DF	7.0	∅5.6	∅3.0	2.0~5.0	1	2000
SRX-3A	7.05	∅6.2	∅3.6	2.0~5.0	1	
SRX-4P	7.08	∅6.6	∅4.0	2.0~5.0	1	
SRX-5M	7.1	∅7.6	∅5.0	2.0~5.0	2	
SRX-6K	7.1	∅8.6	∅6.0	2.0~5.0	2	



尼龍鉚釘 SNAP RIVET



MATERIAL: NYLON 66(UL)
FLAME CLASS: 94V-2
COLOR: BLACK



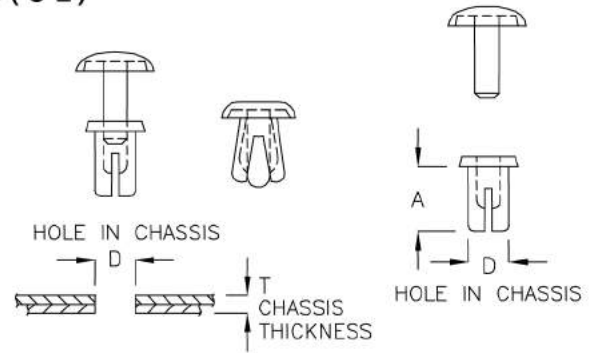
PART NO	D HOLE IN DIA	A	T CHASSIS THICKNESS	PACKAGE
★ SR-1FM	ø1.5	3.5	2.0~2.5	2000
★ SR-2CW	ø1.9	3.3	1.6~2.0	
SR-2	ø2.0	3.3	1.0~1.7	
SR-2AF	ø2.0	3.6	1.5~2.0	
SR-2BT	ø2.0	4.0	1.8~2.5	
SR-2DS	ø2.0	4.5	2.2~3.0	
SR-2FR	ø2.0	5.5	2.5~3.5	
SR-2K	ø2.0	6.1	3.5~4.5	
SR-2F	ø2.1	2.8	0.6~1.2	
SR-2H	ø2.1	4.4	1.7~2.8	
SR-2J	ø2.1	5.2	2.8~3.6	
SR-2RC	ø2.2	4.6	2.8~3.3	
SR-2GQ	ø2.5	3.6	0.5~1.0	
SR-2HY	ø2.5	4.0	0.8~1.6	
SR-2.5S	ø2.5	4.6	0.8~2.5	
SR-2JB	ø2.5	5.0	2.0~3.0	
SR-2KY	ø2.5	5.5	2.5~3.5	
SR-2NT	ø2.5	6.0	3.0~4.0	
SR-2GF	ø2.6	4.2	2.0~3.0	
SR-2.5	ø2.6	4.4	2.0~2.8	
SR-2.7F	ø2.7	3.6	1.0~2.0	
SR-2.7H	ø2.7	5.2	2.7~3.6	
SR-2.7J	ø2.7	5.9	3.4~4.3	
SR-3AQ	ø3.0	3.5	0.8~1.5	
SR-3YK	ø3.0	3.65	1.0~2.0	
SR-3S	ø3.0	3.9	1.2~2.2	
SR-3SP	ø3.0	4.3	1.2~2.0	
SR-3GC	ø3.0	4.5	1.0~2.0	
SR-3TY	ø3.0	4.5	2.0~3.0	
SR-3MK	ø3.0	5.5	2.0~3.0	
SR-3MC	ø3.0	5.5	2.5~3.3	
SR-3JW	ø3.0	5.6	3.0~3.5	
SR-3M	ø3.0	5.7	2.2~3.5	

PART NO	D HOLE IN DIA	A	T CHASSIS THICKNESS	PACKAGE
SR-3Q	ø3.0	5.8	1.6~3.3	2000
SR-3LK	ø3.0	5.8	3.5~4.0	
SR-3L	ø3.0	6.2	1.5~3.5	
SR-3XL	ø3.0	6.5	4.0~5.0	
SR-3BR	ø3.0	7.0	4.5~5.5	
SR-3B	ø3.0	7.6	3.5~4.6	
SR-3C	ø3.0	8.0	3.5~5.5	
SR-3V	ø3.0	8.3	5.0~6.3	
SR-3LC	ø3.0	9.3	6.3~7.3	
SR-3MP	ø3.0	10.3	7.3~8.3	
SR-3MQ	ø3.0	11.3	8.3~9.3	
SR-3LQ	ø3.0	12.3	9.3~10.3	
SR-3QF	ø3.0	13.3	10.3~11.3	
SR-3NR	ø3.1	4.5	2.0~3.0	
SR-03K	ø3.1	10.5	8.0~8.5	
SR-03D	ø3.1	15.6	11.5~12.8	
SR-3PF	ø3.2	3.65	1.5~1.8	
SR-03U	ø3.2	4.6	1.5~3.0	
SR-3W	ø3.3	13.0	9.0~10.5	
SR-3CL	ø3.5	4.5	2.0~2.5	
SR-3	ø3.5	5.7	2.5~4.0	
SR-3DX	ø3.5	6.0	3.5~4.5	
SR-3FL	ø3.5	6.5	4.0~5.0	
SR-3GR	ø3.5	7.0	4.5~5.5	
SR-3HA	ø3.5	7.5	5.0~6.0	
SR-3NB	ø3.5	8.0	5.5~6.5	
SR-3SD	ø3.5	8.5	5.2~6.3	
SR-3AC	ø3.5	8.6	5.5~6.5	
SR-3MF	ø3.5	9.6	6.5~7.5	
SR-3CK	ø3.6	4.5	2.0~2.8	
SR-3CF	ø3.6	4.7	2.0~2.8	
SR-3DK	ø3.6	7.0	4.3~5.3	
SR-3WJ	ø3.8	9.3	5.0~6.5	

尼龍鉚釘 SNAP RIVET



MATERIAL: NYLON 66(UL)
 FLAME CLASS: 94V-2
 COLOR: BLACK



PART NO	D HOLE IN DIA	A	T CHASSIS THICKNESS	PACKAGE
SR-4GS	ø4.0	4.4	1.0~2.2	2000
SR-4Q	ø4.0	5.0	1.1~3.1	
SR-4QR	ø4.0	5.3	3.0~3.5	
SR-4FM	ø4.0	5.5	2.2~2.8	
SR-4KC	ø4.0	6.0	2.5~3.5	
SR-4	ø4.0	6.2	2.0~4.5	
SR-4WA	ø4.0	6.2	2.7~4.0	
SR-4HP	ø4.0	6.2	3.5~4.0	
SR-04F	ø4.0	7.0	3.8~4.6	
SR-4RW	ø4.0	7.1	4.5~5.0	
SR-4LF	ø4.0	7.5	5.0~5.5	
SR-4N	ø4.0	7.8	5.4~6.0	
SR-4S	ø4.0	8.0	3.6~5.0	
SR-4M	ø4.0	9.7	6.0~7.0	
SR-4J	ø4.0	10.0	5.5~7.6	
SR-4QP	ø4.0	10.0	7.5~8.5	
SR-4FQ	ø4.0	11.4	8.5~9.5	
SR-4L	ø4.0	12.3	7.5~8.5	
SR-4XN	ø4.0	12.4	7.8~8.5	
SR-4MK	ø4.0	12.4	9.5~10.5	
SR-4QJ	ø4.0	13.4	10.5~11.5	
SR-04D	ø4.0	15.6	11.2~12.5	
SR-4PT	ø4.0	20.0	15.0~17.5	
SR-4PK	ø4.0	20.0	17.5~18.0	

PART NO	D HOLE IN DIA	A	T CHASSIS THICKNESS	PACKAGE
SR-4PH	ø4.0	21.0	18.0~18.5	2000
SR-4HK	ø4.1	5.1	2.0~3.2	
SR-4LK	ø4.1	6.1	3.5~4.2	
SR-4FK	ø4.1	7.0	4.5~5.4	
SR-4JK	ø4.1	8.9	5.6~6.6	
SR-4JM	ø4.1	9.9	7.5~8.3	
SR-4KT	ø4.3	8.3	4.0~6.0	
SR-04I	ø4.3	10.5	7.1~8.1	
SR-4SF	ø4.3	12.3	8.0~9.0	
SR-4LT	ø4.5	10.2	5.0~6.0	
SR-4LA	ø4.5	12.3	7.8~9.0	
SR-5S	ø5.0	4.6	1.0~2.0	
SR-5	ø5.0	7.8	3.8~5.0	
SR-05F	ø5.1	4.7	1.5~2.5	
SR-05M	ø5.1	5.5	2.5~3.2	
SR-05D	ø5.1	6.5	3.5~4.3	
SR-05H	ø5.1	7.7	4.5~5.5	
SR-05J	ø5.1	8.7	5.5~6.5	
SR-05K	ø5.1	9.7	6.5~7.5	
SR-05L	ø5.1	10.7	7.5~8.5	
SR-6MD	ø6.0	6.2	2.5~4.0	1000
★ SR-6NT	ø6.1	6.2	2.5~4.0	
SR-07C	ø7.0	11.2	8.0~9.0	2000

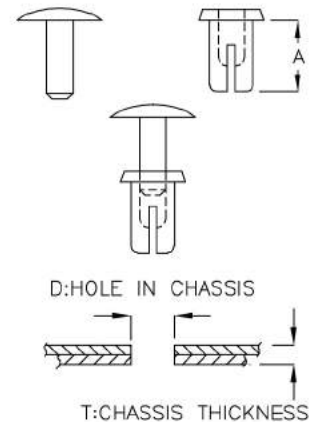
5-30-1



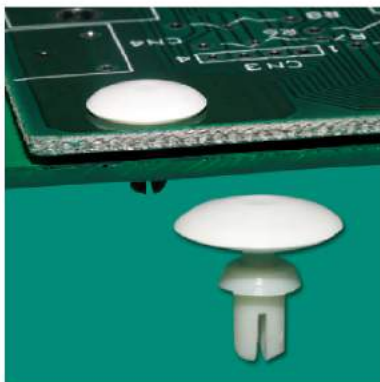
尼龍鉚釘 SNAP RIVET

MATERIAL: NYLON 66(UL)
FLAME CLASS: 94V-2
COLOR: BLACK

PART NO	HOLE D	A	T CHASSIS THICKNESS	PACKAGE
SR-04C	ø4.2	8.0	3.8~5.6	2000
SR-4CK	ø4.05	8.0	2.4~5.9	
SR-4LC	ø4.0	12.3	7.5~8.5	



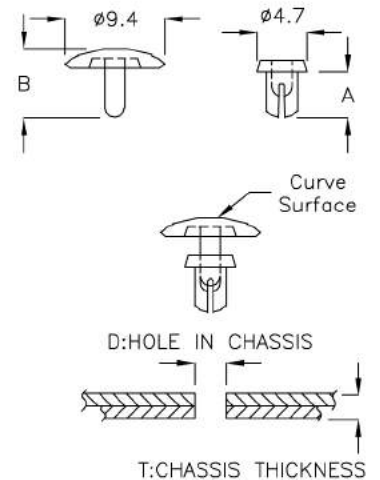
5-30-2



鉚釘 SNAP RIVET

MALE MATERIAL: PC(UL)
FLAME CLASS: 94V-0
COLOR: WHITE
FEMALE MATERIAL:
NYLON 66(UL)
FLAME CLASS: 94V-0
COLOR: NATURAL

PART NO	D HOLE IN CHASSIS	A	B	T CHASSIS THICKNESS	PACKAGE
SR-3SP	ø3.0	4.3	6.45	1.2~2.0	2000



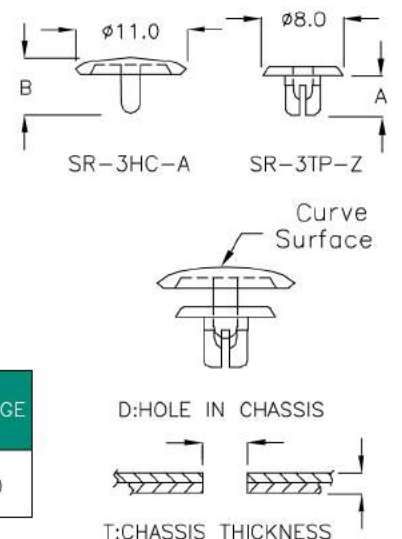
5-30-3



尼龍鉚釘 SNAP RIVET

MALE MATERIAL: PC(UL)
FLAME CLASS: 94V-0
COLOR: WHITE
FEMALE MATERIAL:
NYLON 66(UL)
FLAME CLASS: 94V-0
COLOR: NATURAL

PART NO	D HOLE IN CHASSIS	A	B	T CHASSIS THICKNESS	PACKAGE
SR-3HC-A	ø3.5	4.0	6.25	1.9~2.3	2000
SR-3TP-Z					

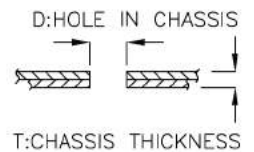
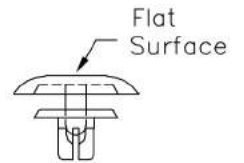
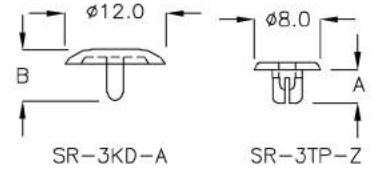


5-31-1



尼龍鉚釘 SNAP RIVET

MALE MATERIAL: PC(UL)
 FLAME CLASS: 94V-0
 COLOR: WHITE
 FEMALE MATERIAL:
 NYLON 66(UL)
 FLAME CLASS: 94V-0
 COLOR: NATURAL



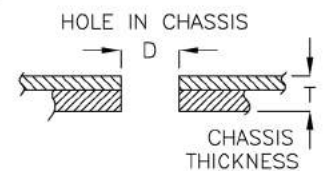
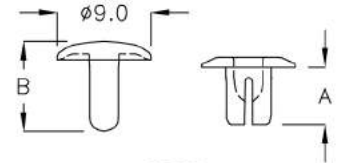
PART NO	D HOLE IN CHASSIS	A	B	T CHASSIS THICKNESS	PACKAGE
SR-3KD-A	ø3.5	4.0	6.25	1.9~2.3	2000
SR-3TP-Z					

5-31-2



尼龍鉚釘 SNAP RIVET

MATERIAL: NYLON 66(UL)
 FLAME CLASS: 94V-2
 COLOR: BLACK



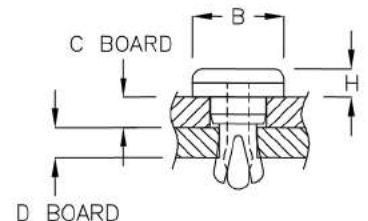
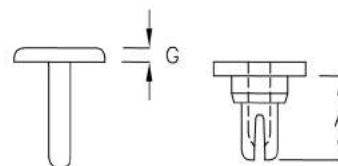
PART NO	D HOLE IN CHASSIS	A	B	T CHASSIS THICKNESS	PACKAGE
SR-4ZT	ø4.5	5.5	8.7	1.5~3.0	2000

5-31-3



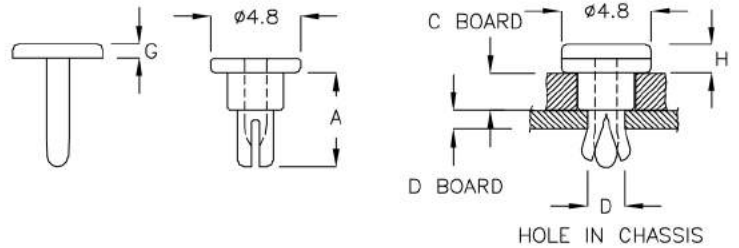
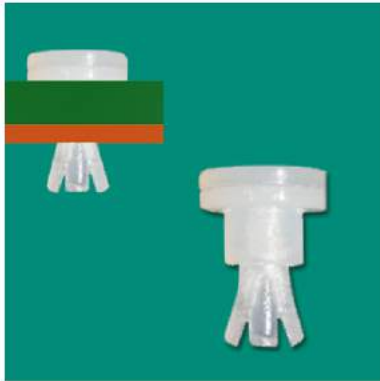
尼龍鉚釘 SNAP RIVET

MATERIAL: NYLON 66(UL)
 FLAME CLASS: 94V-2
 COLOR: BLACK



PART NO	A	B	G	H	C BOARD HOLE DIA	D BOARD HOLE DIA	C BOARD THICKNESS	D BOARD THICKNESS	PACKAGE
SRFK-2H	3.3	ø3.5	0.5	1.0	ø2.4	ø1.8	1.1	1.0~1.2	2000
SRFK-2D	4.4	ø4.8	0.75	1.5	ø3.0	ø2.0	1.6	0.8~1.6	
SRFK-2C	5.4	ø4.8	0.75	1.5	ø3.0	ø2.0	2.6	0.8~1.6	
SRFK-2F	6.4	ø4.8	0.75	1.5	ø3.0	ø2.0	3.6	0.8~1.6	

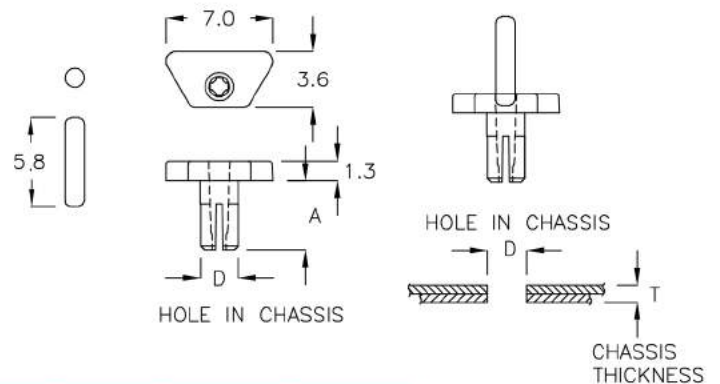
尼龍鉚釘 SNAP RIVET



MATERIAL: NYLON 66(UL)
FLAME CLASS: 94V-2
COLOR: NATURAL

PART NO	A	G	H	C BOARD HOLE DIA	D BOARD HOLE DIA	C BOARD THICKNESS	D BOARD THICKNESS	PACKAGE
SRFK-2RT	5.0	0.75	1.5	Ø3.0	Ø2.0	2.1	0.8~1.6	2000

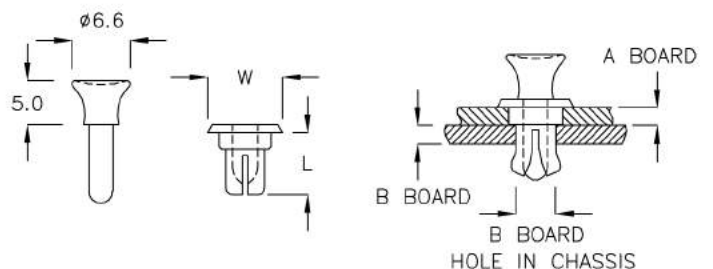
尼龍鉚釘 SNAP RIVET



MATERIAL: NYLON 66(UL)
FLAME CLASS: 94V-2
COLOR: BLACK

PART NO	HOLE D	A	T CHASSIS THICKNESS	PACKAGE
STR-4C	Ø2.6	4.5	3.0~3.1	2000

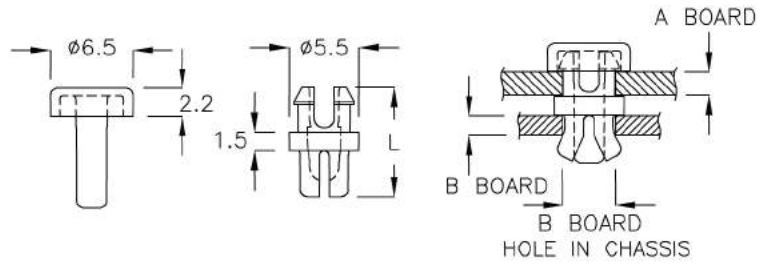
固定扣 NIFLATCH



MATERIAL: NYLON 66(UL)
FLAME CLASS: 94V-2
COLOR: BLACK

PART NO	A BOARD HOLE DIA	B BOARD HOLE DIA	A BOARD THICKNESS	B BOARD THICKNESS	L	W	PACKAGE
SRDW-2H	Ø2.4	Ø1.8	1.1	1.0~1.2	3.3	Ø4.8	2000
SRDW-2D	Ø3.0	Ø2.0	1.6	0.8~1.6	4.4	Ø4.8	
SRDW-2C	Ø3.0	Ø2.0	2.6	0.8~1.6	5.4	Ø4.8	
SRDW-2F	Ø3.0	Ø2.0	3.6	0.8~1.6	6.4	Ø4.8	
SR-4KK	Ø6.0	Ø4.5	2.0	2.0	7.0	Ø8.5	

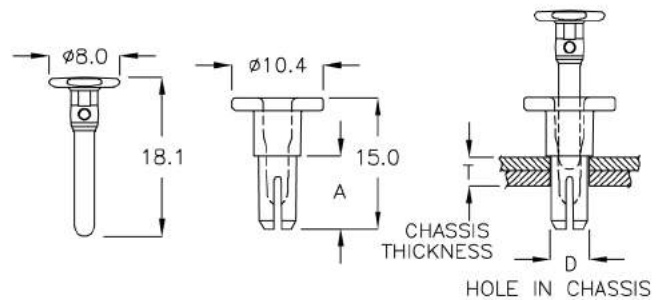
尼龍鉚釘 SNAP RIVET



MATERIAL: NYLON 66(UL)
FLAME CLASS: 94V-2
COLOR: BLACK

PART NO	A BOARD HOLE DIA	B BOARD HOLE DIA	A BOARD THICKNESS	B BOARD THICKNESS	L	PACKAGE
SRQM-4C	$\phi 4.2$	$\phi 4.0$	2.0	1.6	8.6	500

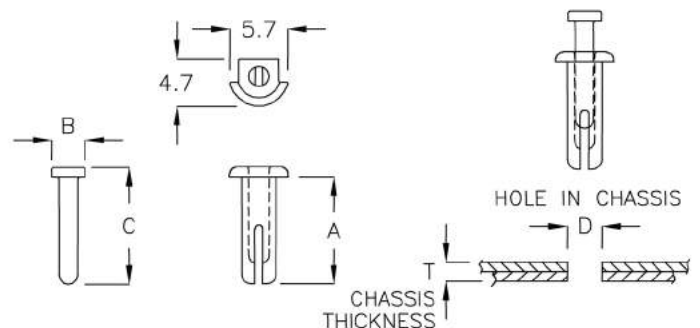
尼龍鉚釘 SNAP RIVET



MATERIAL: NYLON 66(UL)
FLAME CLASS: 94V-2
COLOR: BLACK

PART NO	A	D HOLE IN CHASSIS	T CHASSIS THICKNESS	PACKAGE
SRMD-4Q	8.3	$\phi 4.5$	4.0	2000

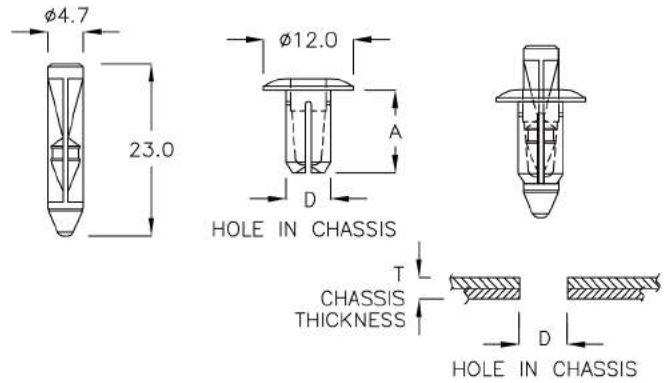
尼龍鉚釘 SNAP RIVET



MATERIAL: NYLON 66(UL)
FLAME CLASS: 94V-2
COLOR: BLACK

PART NO	A	B	C	D HOLE IN CHASSIS	T CHASSIS THICKNESS	PACKAGE
SRQ-3AH	10.5	$\phi 3.5$	12.0	$\phi 3.5$	8.0	2000
★ SRQ-3PT	12.0	$\phi 3.4$	14.0	$\phi 3.5$	8.0	

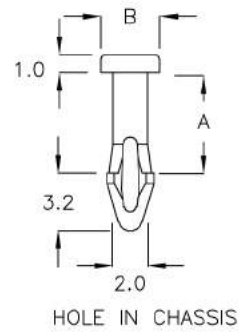
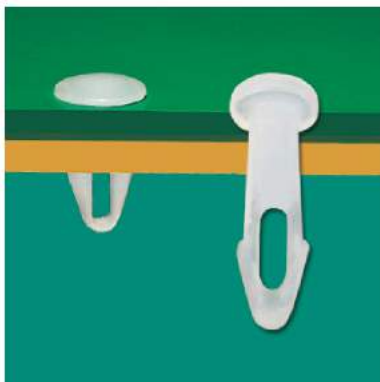
尼龍鉚釘 SNAP RIVET



MATERIAL: NYLON 66(UL)
FLAME CLASS: 94V-2
COLOR: BLACK

PART NO	A	D HOLE IN CHASSIS	T CHASSIS THICKNESS	PACKAGE
SR-12A	11.0	$\phi 6.1$	7.7~8.3	2000

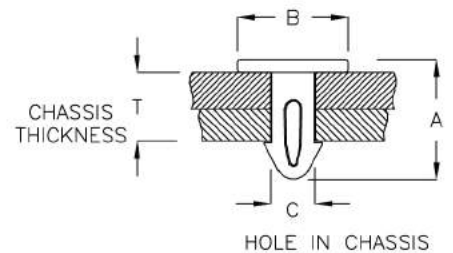
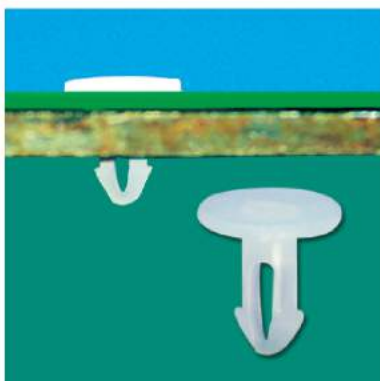
鉚釘 CANOE CLIP



MATERIAL: NYLON 66(UL)
FLAME CLASS: 94V-2
COLOR: NATURAL

PART NO	A	B	T CHASSIS THICKNESS	PACKAGE
MB-05F	5.6	$\phi 3.3$	5.4	2000

鉚釘 CANOE CLIP



MATERIAL: NYLON 66(UL)
FLAME CLASS: 94V-2
COLOR: NATURAL

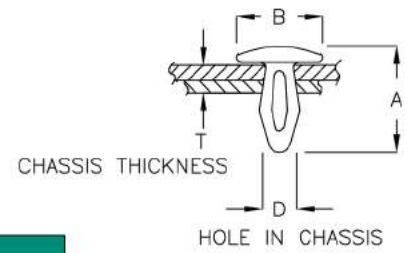
PART NO	A	B	C	T CHASSIS THICKNESS	PACKAGE
MBL-4HW	5.05	5.2	$\phi 2.1$	2.5	2000
MBL-5FQ	5.65	5.2	$\phi 2.1$	3.1	

5-35-1



鉚釘 CANOE CLIP

MATERIAL: NYLON 66(UL)
FLAME CLASS: 94V-2
COLOR: NATURAL



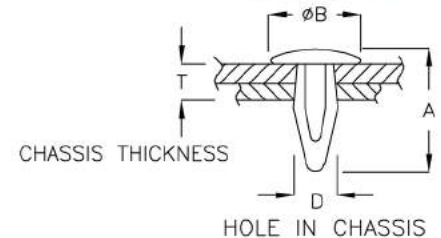
PART NO	A	B	T CHASSIS THICKNESS	D HOLE IN CHASSIS	PACKAGE
MB-01F	7.4	ø4.8	2.4~2.7	ø2.37	2000
MB-04C	15.4	ø9.0	4.3~4.8	ø4.5	1000
MB-05A	14.7	ø12.0	0.7~1.2	ø5.0	
MB-05D	15.3	ø12.0	0.7~1.0	ø5.0	

5-35-2



鉚釘 CANOE CLIP

MATERIAL: NYLON 66(UL)
FLAME CLASS: 94V-2
COLOR: NATURAL



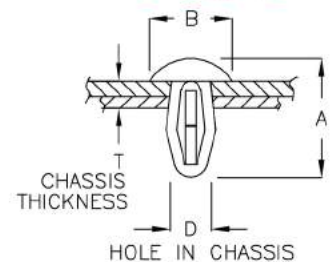
PART NO	A	B	T CHASSIS THICKNESS	D HOLE IN CHASSIS	PACKAGE
MB-1	9.7	ø7.4	2.0~3.5	ø3.0~ø3.2	2000
MB-1A	9.7	ø6.8	1.1~1.7	ø3.1~ø3.2	
MB-1C	6.2	ø6.9	1.6~2.0	ø2.95~ø3.0	
MB-1D	6.8	ø7.0	1.6~1.9	ø3.15~ø3.2	
MB-1S	7.2	ø7.0	1.5~2.1	ø3.1~ø3.2	
MB-01H	10.3	ø7.7	3.0~3.2	ø3.3~ø3.4	
MB-2	10.3	ø7.9	3.5~4.0	ø3.5~ø3.7	
MB-2S	10.3	ø7.8	2.8~3.8	ø3.2~ø3.4	
MB-3	12.4	ø7.7	3.2~5.0	ø3.7~ø3.8	
MB-3FC	7.5	ø5.6	2.4~2.7	ø2.95~3.05	
MB-3KA	7.5	ø6.0	2.4~2.7	ø3.45~3.55	
MB-4	12.9	ø10.0	2.1~3.7	ø3.9~ø4.05	
MB-04Q	9.0	ø6.0	2.5~3.5	ø3.8~ø4.0	
MB-5S	10.9	ø10.0	1.6~2.1	ø3.2~ø3.25	
MB-05C	13.2	ø12.7	2.5~3.5	ø4.0~ø4.05	
MB-11A	12.6	ø9.5	2.5~4.0	ø4.65~ø4.8	
MB-12	12.0	ø7.4	1.6~2.1	ø3.3~ø3.4	2000

5-35-3



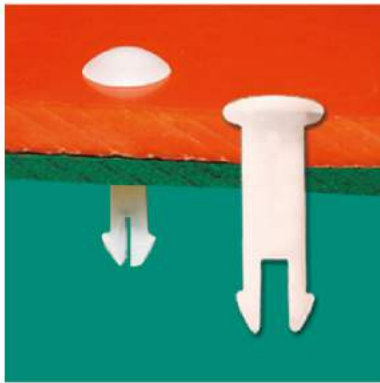
鉚釘 CANOE CLIP

MATERIAL: NYLON 66(UL)
FLAME CLASS: 94V-2
COLOR: NATURAL



PART NO	A	B	T CHASSIS THICKNESS	D HOLE IN CHASSIS	PACKAGE
MB-2K	8.6	ø5.8	2.8~3.0	ø3.2~ø3.3	2000

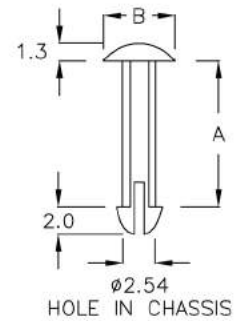
5-36-1



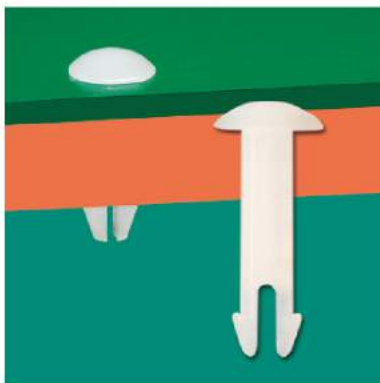
鉚釘 MOUNTING BUTTON

MATERIAL: NYLON 66(UL)
FLAME CLASS: 94V-2
COLOR: NATURAL

PART NO	A	B	CHASSIS THICKNESS	PACKAGE
MB-08K	10.5	ø5.1	10.3	2000



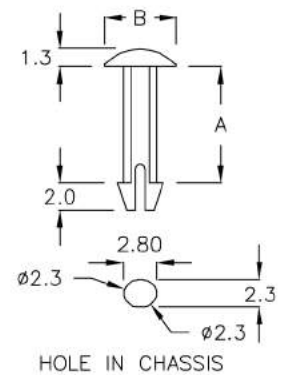
5-36-2



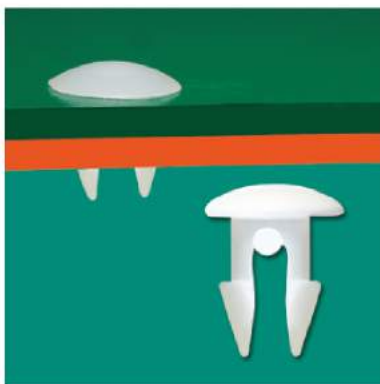
鉚釘 MOUNTING BUTTON

MATERIAL: NYLON 66(UL)
FLAME CLASS: 94V-2
COLOR: NATURAL

PART NO	A	B	CHASSIS THICKNESS	PACKAGE
MB-08R	8.4	ø5.1	8.2	2000



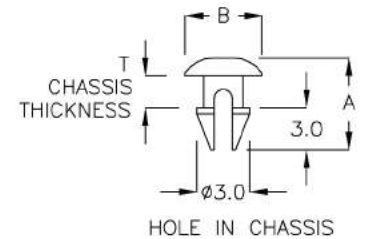
5-36-3



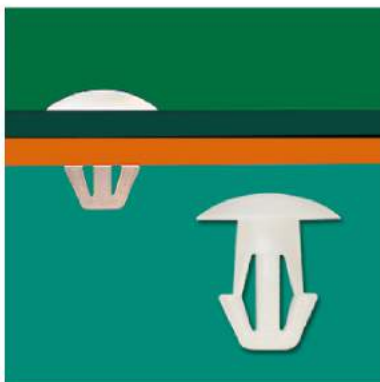
鉚釘 CANOE CLIP

MATERIAL: NYLON 66(UL)
FLAME CLASS: 94V-2
COLOR: NATURAL

PART NO	A	B	T CHASSIS THICKNESS	PACKAGE
MB-08M	6.6	ø5.5	2.2	2000
MB-8AC	7.9	ø5.5	3.5	
MB-8DK	8.5	ø5.5	4.1	



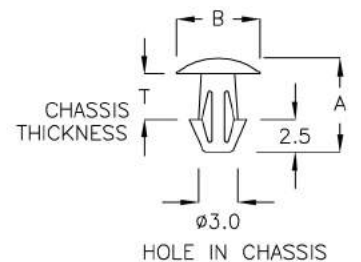
5-36-4

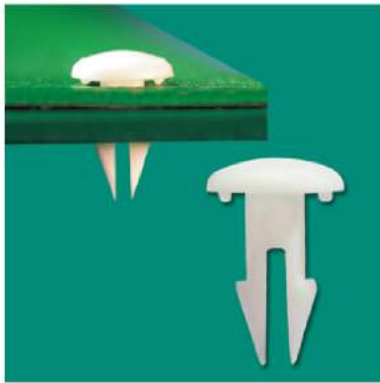


鉚釘 CANOE CLIP

MATERIAL: NYLON 66(UL)
FLAME CLASS: 94V-2
COLOR: NATURAL

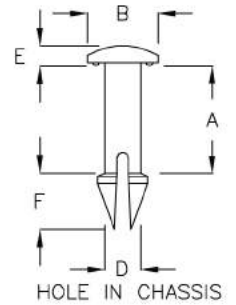
PART NO	A	B	T CHASSIS THICKNESS	PACKAGE
MB-08P	7.2	ø6.4	3.2	2000





鉚釘 MOUNTING BUTTON

MATERIAL: NYLON 66(UL)
FLAME CLASS: 94V-2
COLOR: NATURAL

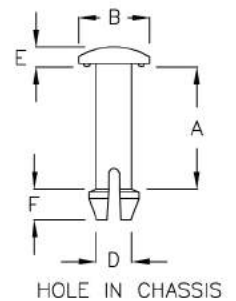


PART NO	A	B	D	E	F	T CHASSIS THICKNESS	PACKAGE
MB-8A	7.5	∅5.1	∅3.0	1.8	3.4	7.3	2000
MB-08C	3.5	∅6.2	∅3.0	1.9	3.8	3.4	
MB-08D	4.7	∅6.0	∅3.5	1.5	4.1	4.5	



鉚釘 MOUNTING BUTTON

MATERIAL: NYLON 66(UL)
FLAME CLASS: 94V-2
COLOR: NATURAL

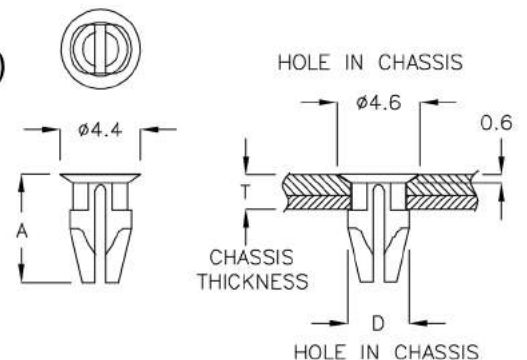


PART NO	A	B	D	E	F	CHASSIS THICKNESS	PACKAGE
MB-08G	3.55	∅6.2	∅3.0	1.9	1.4	3.4	2000
MB-08H	8.25	∅5.1	∅3.3	1.4	2.2	8.1	
MB-015	8.8	∅5.1	∅3.0	1.7	2.2	8.6	



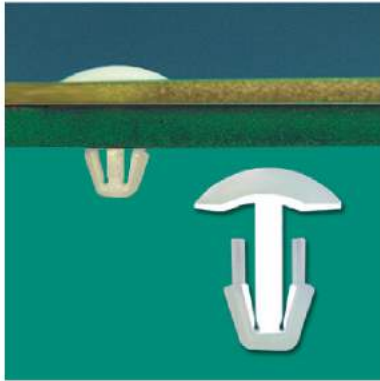
鉚釘 CANOE CLIP

MATERIAL: NYLON 66(UL)
FLAME CLASS: 94V-2
COLOR: BLACK



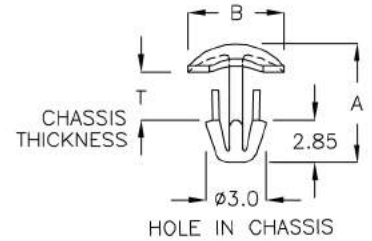
PART NO	A	D HOLE IN CHASSIS	T CHASSIS THICKNESS	PACKAGE
MB-06	6.0	∅3.0	1.9	2000

5-38-1



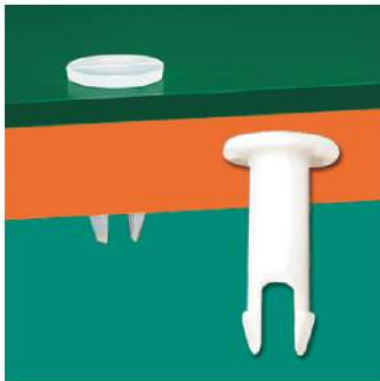
鉚釘 CANOE CLIP

MATERIAL: NYLON 66(UL)
FLAME CLASS: 94V-2
COLOR: NATURAL



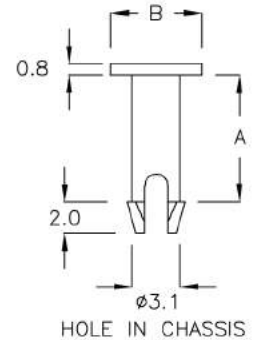
PART NO	A	B	T CHASSIS THICKNESS	PACKAGE
MBS-3A	7.95	ø6.4	3.2~3.6	1000

5-38-2



鉚釘 MOUNTING BUTTON

MATERIAL: NYLON 66(UL)
FLAME CLASS: 94V-2
COLOR: NATURAL



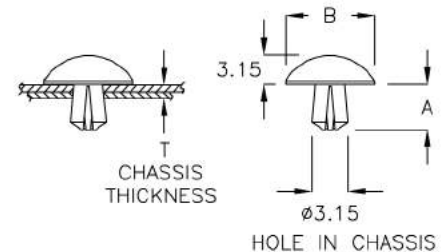
PART NO	A	B	CHASSIS THICKNESS	PACKAGE
MBB-01	8.1	5.85	7.9	1000

5-38-3



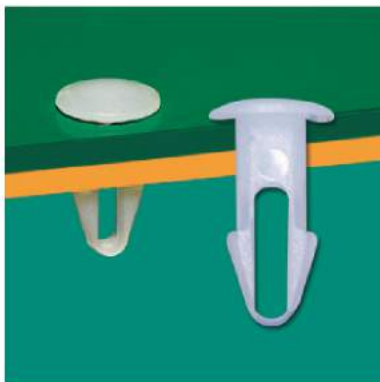
鉚釘 MOUNTING BUTTON

MATERIAL: NYLON 66(UL)
FLAME CLASS: 94V-2
COLOR: NATURAL



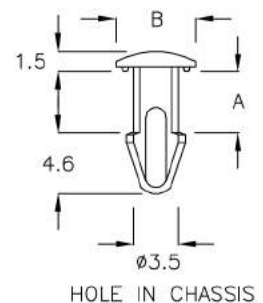
PART NO	A	B	T CHASSIS THICKNESS	PACKAGE
MHG-3A	4.9	ø9.5	2.0	2000

5-38-4



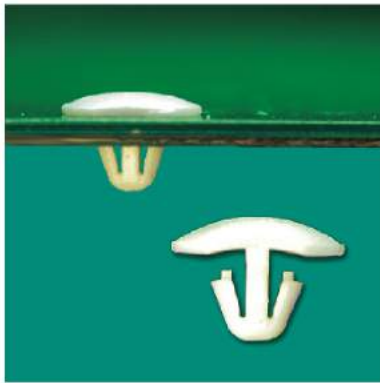
鉚釘 MOUNTING BUTTON

MATERIAL: NYLON 66(UL)
FLAME CLASS: 94V-2
COLOR: NATURAL



PART NO	A	B	T CHASSIS THICKNESS	PACKAGE
MB-08F	4.65	ø6.0	4.5	2000

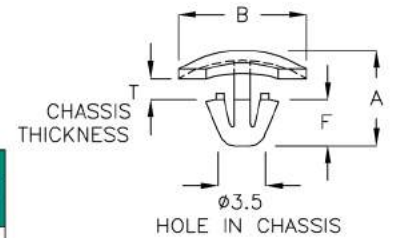
5-39-1



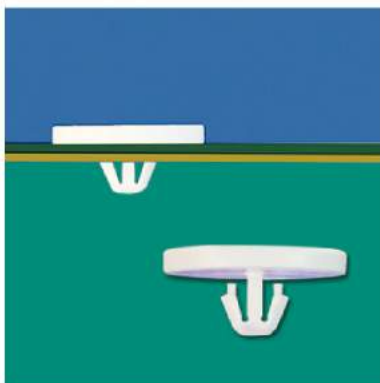
鉚釘 CANOE CLIP

MATERIAL: NYLON 66(UL)
FLAME CLASS: 94V-2
COLOR: NATURAL

PART NO	A	B	F	T CHASSIS THICKNESS	PACKAGE
MBM-1A	5.95	8.0	2.85	1.4~1.7	2000
MBM-2D	6.15	8.0	2.85	1.2~1.4	
MBM-3PY	5.7	8.0	2.5	0.9~1.1	



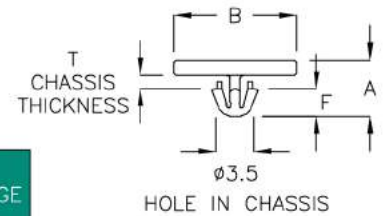
5-39-2



鉚釘 CANOE CLIP

MATERIAL: PC(UL)
FLAME CLASS: 94V-2
COLOR: NATURAL

PART NO	A	B	F	T CHASSIS THICKNESS	PACKAGE
MBR-3SQ	5.45	12.0	2.65	1.1	1000
MBR-3AC	6.05	15.0	3.4	1.0	



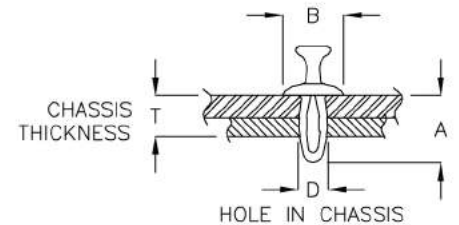
5-39-3



鉚釘 CANOE CLIP

MATERIAL: NYLON 66(UL)
FLAME CLASS: 94V-2
COLOR: NATURAL, BLACK

PART NO	A	B	T CHASSIS THICKNESS	D HOLE IN CHASSIS	PACKAGE
MBJ-3A	8.8	7.9	2.4~2.6	3.6~3.65	2000



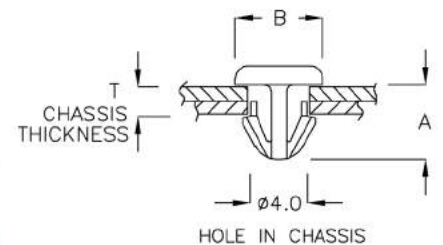
5-39-4



鉚釘 CANOE CLIP

MATERIAL: NYLON 66(UL)
FLAME CLASS: 94V-2
COLOR: BLACK

PART NO	A	B	T CHASSIS THICKNESS	PACKAGE
MB-07A	6.0	7.0	2.2	2000
MB-7AK	7.3	7.0	3.5	
MB-7DF	8.0	7.0	4.2	



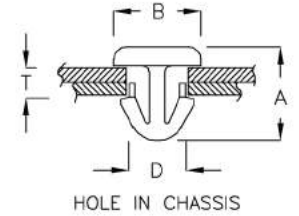
5-40-1



鉚釘 CANOE CLIP

MATERIAL: NYLON 66(UL)
FLAME CLASS: 94V-2
COLOR: NATURAL

PART NO	A	B	T CHASSIS THICKNESS	D HOLE IN THICKNESS	PACKAGE
MBQ-1A	6.7	ø8.0	1.8	ø4.1	2000
MBQ-1DC	6.85	ø7.0	2.1	ø4.0	
MBQ-1PM	6.5	ø7.0	1.8	ø4.0	
MBQ-1FH	5.8	ø7.0	1.0	ø4.0	



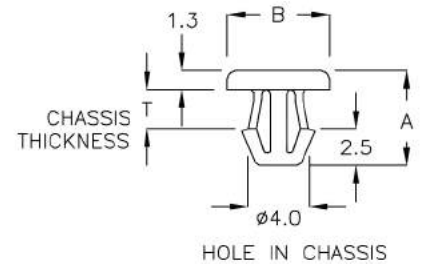
5-40-2



鉚釘 CANOE CLIP

MATERIAL: NYLON 66(UL)
FLAME CLASS: 94V-2
COLOR: BLACK

PART NO	A	B	T CHASSIS THICKNESS	PACKAGE
MBK-4A	6.5	ø7.0	2.4~2.6	2000



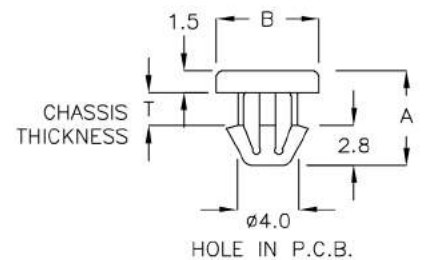
5-40-3



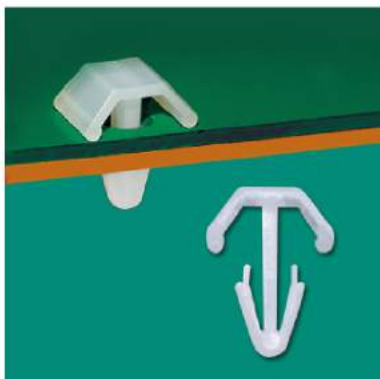
鉚釘 CANOE CLIP

MATERIAL: PC(UL)
FLAME CLASS: 94V-0
COLOR: NATURAL

PART NO	A	B	T CHASSIS THICKNESS	PACKAGE
MBQ-1RF	6.5	ø7.0	1.6~1.9	2000



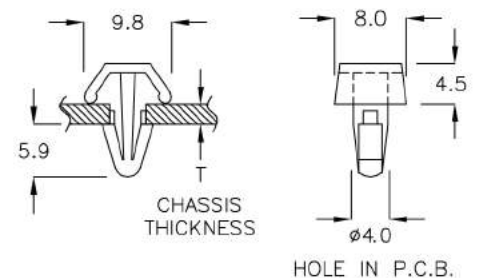
5-40-4



鉚釘 MOUNTING BUTTON

MATERIAL: NYLON 66(UL)
FLAME CLASS: 94V-2
COLOR: NATURAL

PART NO	T CHASSIS THICKNESS	PACKAGE
MB-10	2.5~3.2	1000

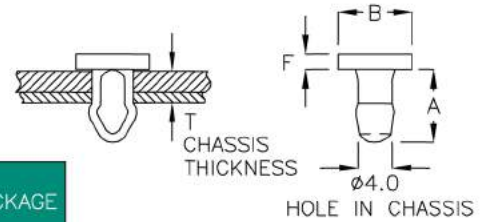


5-41-1



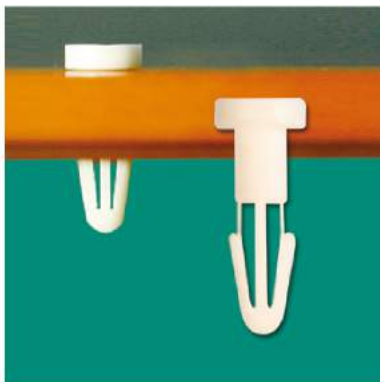
鉚釘 MOUNTING BUTTON

MATERIAL: NYLON 66(UL)
FLAME CLASS: 94V-2
COLOR: BLACK



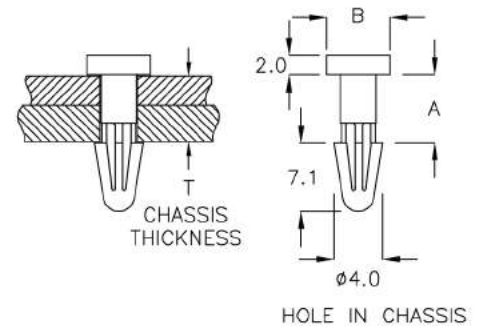
PART NO	A	B	F	T CHASSIS THICKNESS	PACKAGE
MBC-04	6.9	∅7.0	1.5	3.3	2000
MBC-4AK	5.8	∅7.0	1.5	2.2	
MBC-4DF	7.1	∅7.0	1.5	3.5	
MBC-4KM	8.1	∅7.0	2.0	4.5	

5-41-2



鉚釘 RIVET

MATERIAL: NYLON 66(UL)
FLAME CLASS: 94V-2
COLOR: NATURAL



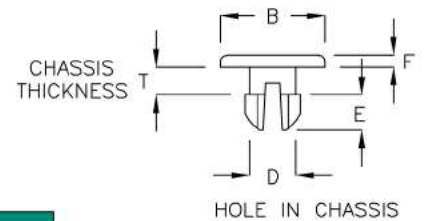
PART NO	A	B	T CHASSIS THICKNESS	PACKAGE
ACK-1A	7.0	∅6.5	6.8	2000

5-41-3



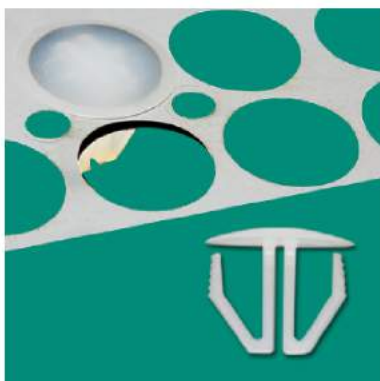
鉚釘 MOUNTING BUTTON

MATERIAL: PC(UL)
FLAME CLASS: 94V-2
COLOR: NATURAL



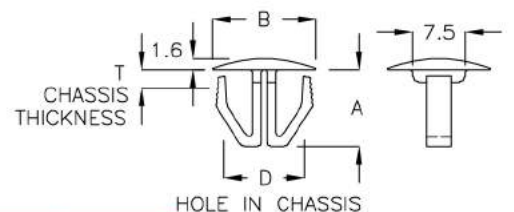
PART NO	B	T CHASSIS THICKNESS	D HOLE IN CHASSIS	E	F	PACKAGE
MB-9S	∅11.7	2.0	∅5.54	4.0	1.3	1000
MB-9	∅11.7	3.0	∅5.54	4.1	1.3	
MB-9K	∅15.1	4.3	∅7.4	4.7	1.3	
MB-09A	∅11.7	5.7	∅5.3	3.9	1.3	
MB-09M	∅8.0	2.6	∅5.0	3.3	0.5	

5-41-4



鉚釘 CANOE CLIP

MATERIAL: NYLON 66(UL)
FLAME CLASS: 94V-2
COLOR: NATURAL



PART NO	A	B	T CHASSIS THICKNESS	D HOLE IN CHASSIS	PACKAGE
MBSK-10A	11.0	∅15.0	0.8~3.2	∅8.5~∅10.0	1000

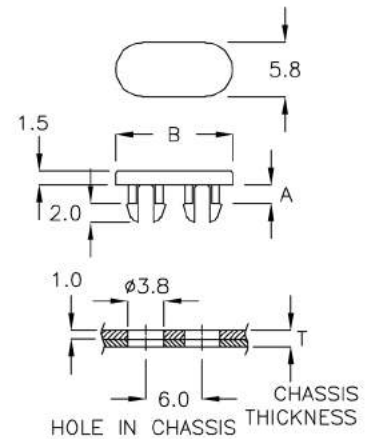
5-42-1



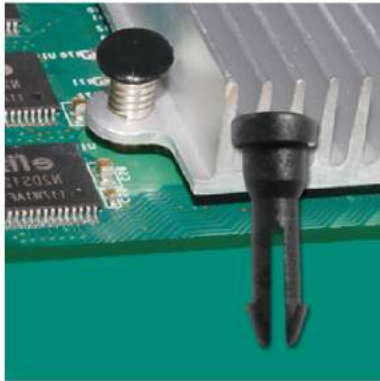
鉚釘 MOUNTING BUTTON

MATERIAL: NYLON 66(UL)
 FLAME CLASS: 94V-2
 COLOR: NATURAL

PART NO	A	B	T CHASSIS THICKNESS	PACKAGE
MBP-3JQ	2.0	12.5	1.8	2000



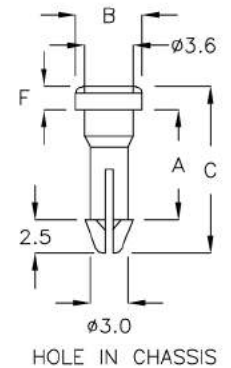
5-42-2



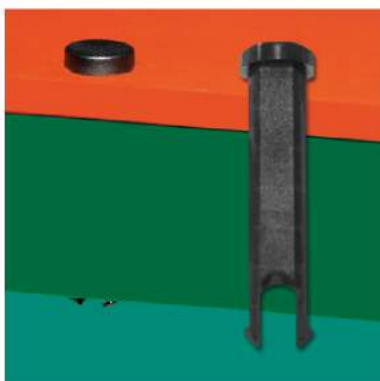
鉚釘 MOUNTING BUTTON

MATERIAL: NYLON 66(UL)
 FLAME CLASS: 94V-2
 COLOR: BLACK
 HOLE IN HEAT SINK: $\phi 3.2$
 SPECIFIC SPRING SPEC FOR APPLICATIVE
 THICKNESS OF CHASSIS

PART NO	A	B	C	F	PACKAGE
MB-08Y	8.3	$\phi 5.0$	12.55	1.75	2000
MB-15Y	14.6	$\phi 6.4$	19.85	2.75	



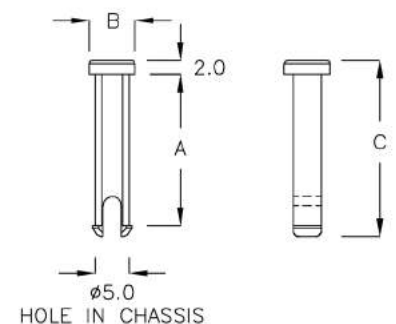
5-42-3



鉚釘 MOUNTING BUTTON

MATERIAL: NYLON 66(UL)
 FLAME CLASS: 94V-2
 COLOR: BLACK

PART NO	A	B	C	PACKAGE
MB-21A	22.0	$\phi 6.6$	25.6	1000

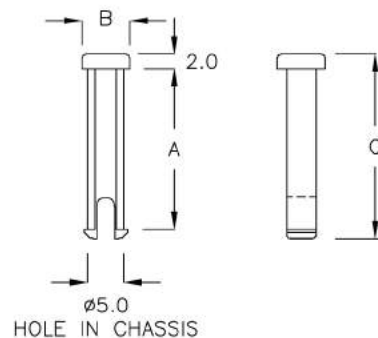




鉚釘 MOUNTING BUTTON

MATERIAL: NYLON 66(UL)
FLAME CLASS: 94V-2
COLOR: BLACK

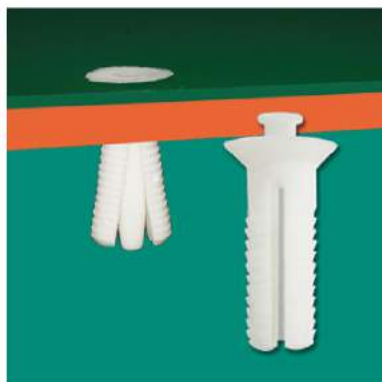
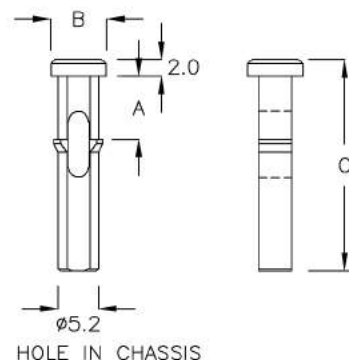
PART NO	A	B	C	PACKAGE
MB-22	22.1	ø6.6	25.4	1000



鉚釘 MOUNTING BUTTON

MATERIAL: NYLON 66(UL)
FLAME CLASS: 94V-2
COLOR: BLACK

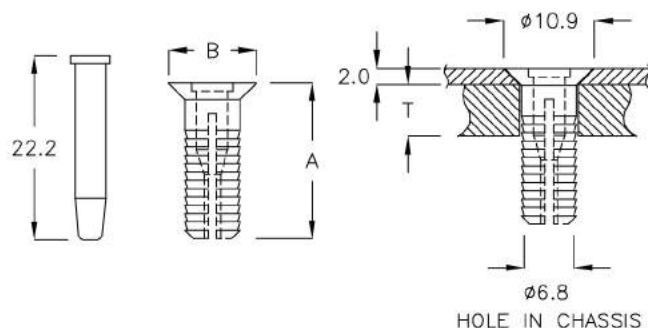
PART NO	A	B	C	PACKAGE
MB-25A	7.6	ø6.6	25.4	1000



鉚釘 MOUNTING BUTTON

MATERIAL: NYLON 66(UL)
FLAME CLASS: 94V-2
COLOR: NATURAL

PART NO	A	T CHASSIS THICKNESS	B	PACKAGE
MEK-01	16.7	6.5~7.5	ø10.6	2000



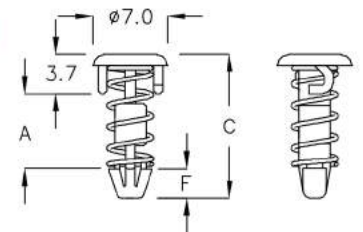
5-44-1



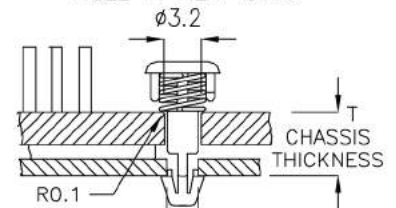
散熱片鉚釘 MOUNTING BUTTON

MATERIAL: NYLON 66(UL)
FLAME CLASS: 94V-2
COLOR: NATURAL

PART NO	A	C	F	T CHASSIS THICKNESS	PACKAGE
MB-05Y	4.2	10.7	2.8	3.0~4.2	2000
MB-07Y	7.0	13.5	2.8	4.5~6.0	
MB-07YA	9.0	15.2	2.5	4.5~7.0	



HOLE IN HEAT SINK



HOLE IN P.C.B.

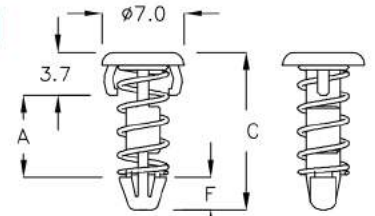
5-44-2



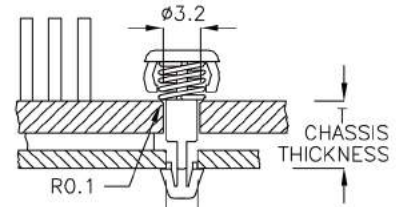
散熱片鉚釘 MOUNTING BUTTON

MATERIAL: NYLON 66(UL)
FLAME CLASS: 94V-2
COLOR: NATURAL

PART NO	A	C	F	T CHASSIS THICKNESS	PACKAGE
MB-07U	7.0	13.5	2.8	4.5~5.5	2000
MB-07UA	9.0	15.2	2.5	4.5~7.0	



HOLE IN HEAT SINK



HOLE IN P.C.B.

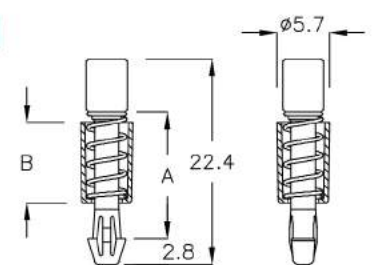
5-44-3



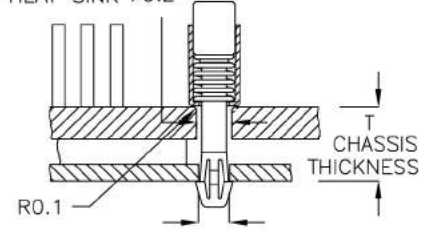
散熱片鉚釘 MOUNTING BUTTON

MATERIAL: NYLON 66(UL)
FLAME CLASS: 94V-2
COLOR: BLACK

PART NO	A	B	CHASSIS THICKNESS	PACKAGE
MB-08J	13.8	8.8	5.0~8.5	2000



HOLE IN HEAT SINK $\phi 3.2$



HOLE IN P.C.B.

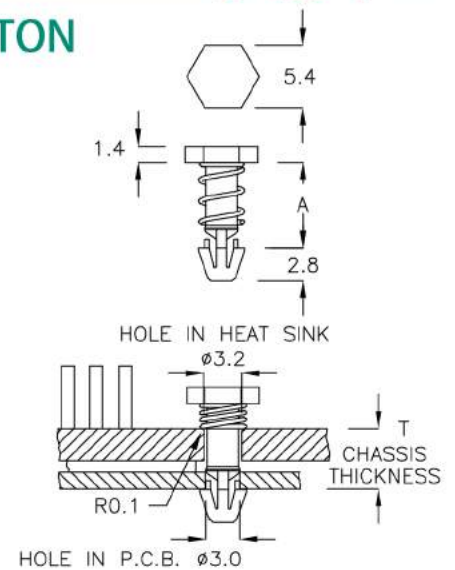
5-45-1



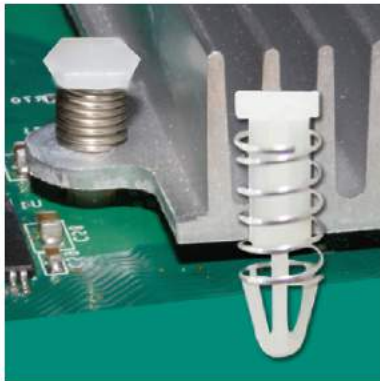
散熱片鉚釘 MOUNTING BUTTON

MATERIAL: NYLON 66(UL)
FLAME CLASS: 94V-2
COLOR: NATURAL, BLACK

PART NO	A	CHASSIS THICKNESS	PACKAGE
MB-08N	7.4	3.0~4.0	2000



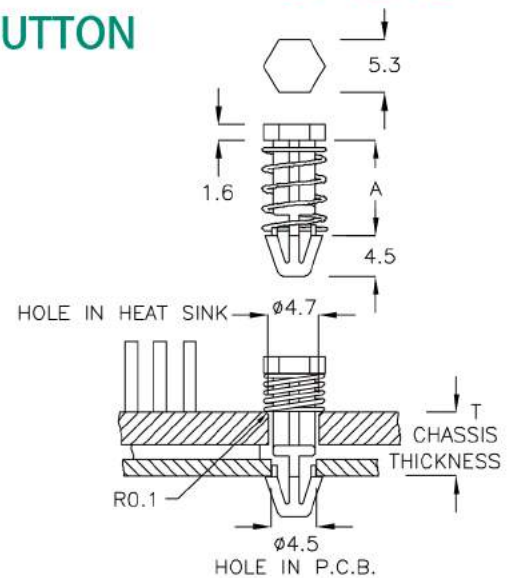
5-45-2



散熱片鉚釘 MOUNTING BUTTON

MATERIAL: NYLON 66(UL)
FLAME CLASS: 94V-2
COLOR: NATURAL

PART NO	A	CHASSIS THICKNESS	PACKAGE
MB-8KP	8.8	3.0~5.3	1000



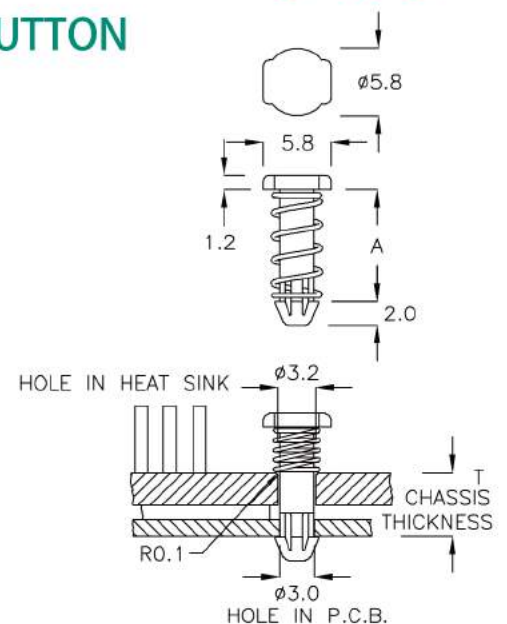
5-45-3



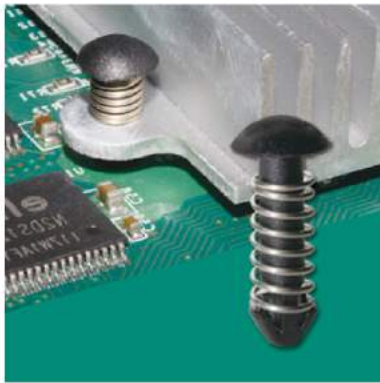
散熱片鉚釘 MOUNTING BUTTON

MATERIAL: NYLON 66(UL)
FLAME CLASS: 94V-2
COLOR: NATURAL

PART NO	A	CHASSIS THICKNESS	PACKAGE
MB-13	9.6	4.5~5.5	1000



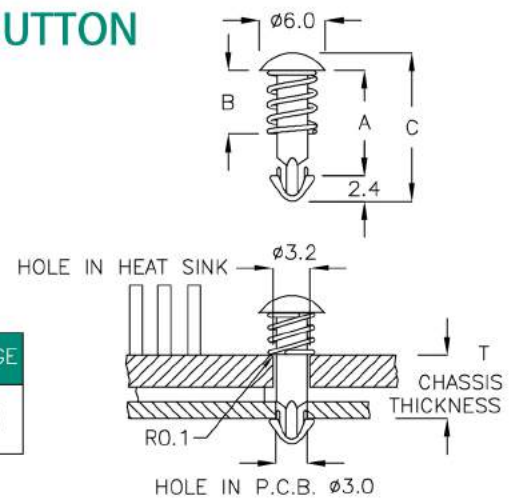
5-46-1



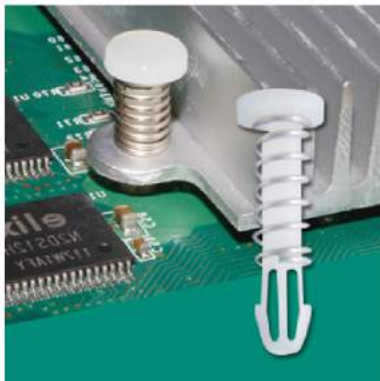
散熱片鉚釘 MOUNTING BUTTON

MATERIAL: NYLON 66(UL)
FLAME CLASS: 94V-2
COLOR: NATURAL, BLACK

PART NO	A	B	C	CHASSIS THICKNESS	PACKAGE
MB-13A	9.6	7.8	13.5	3.6~5.0	2000
MB-21	17.6	14.7	21.6	7.5~9.0	



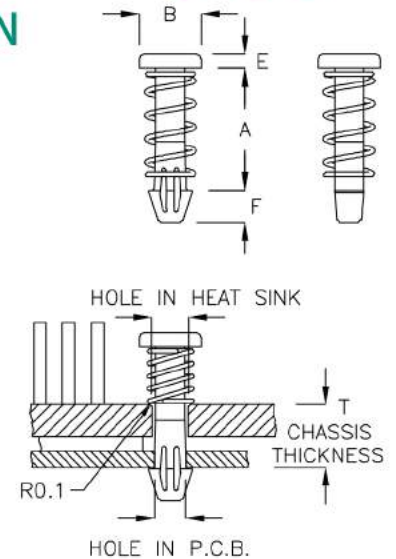
5-46-2



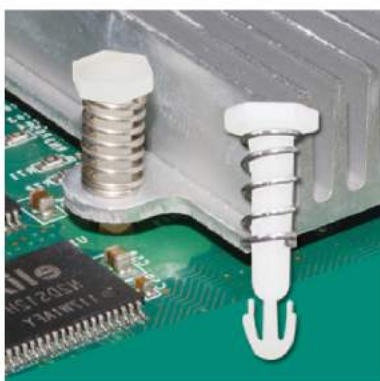
散熱片鉚釘 MOUNTING BUTTON

MATERIAL: NYLON 66(UL)
FLAME CLASS: 94V-2
COLOR: NATURAL

PART NO	A	B	HOLE IN P.C.B.	HOLE IN HEAT SINK	T CHASSIS THICKNESS	E	F	PACKAGE
MB-15C	12.5	6.4	3.0	3.2	5.5~6.5	1.5	3.3	1000
MB-15K	12.5	6.4	3.2	3.4	4.5~6.5	1.5	3.3	
MB-15F	14.0	5.5	3.0	3.2	7.0~8.0	1.5	2.8	2000



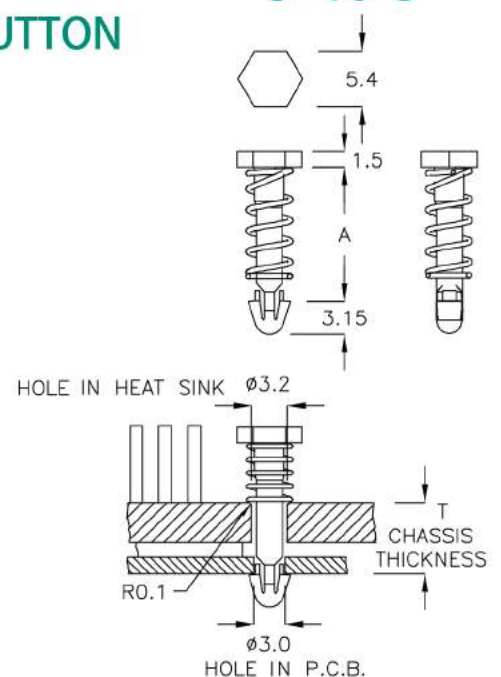
5-46-3



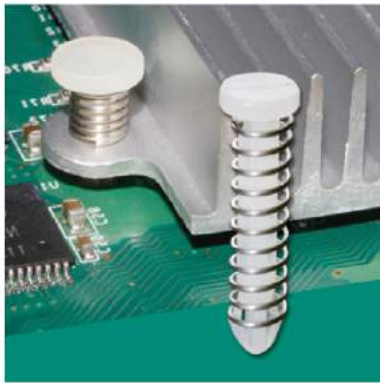
散熱片鉚釘 MOUNTING BUTTON

MATERIAL: NYLON 66(UL)
FLAME CLASS: 94V-2
COLOR: NATURAL

PART NO	A	T CHASSIS THICKNESS	PACKAGE
MB-17C	12.9	3.0~5.0	2000



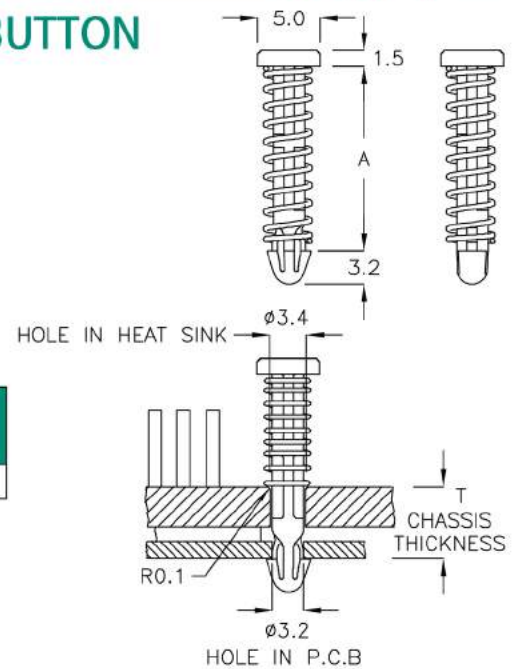
5-47-1



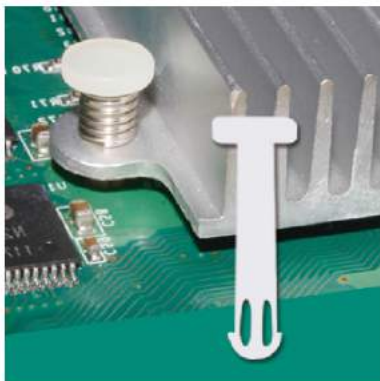
散熱片鉚釘 MOUNTING BUTTON

MATERIAL: NYLON 66(UL)
 FLAME CLASS: 94V-2
 COLOR: NATURAL

PART NO	A	T CHASSIS THICKNESS	PACKAGE
MB-17KM	17.7	7.5~9.5	1000



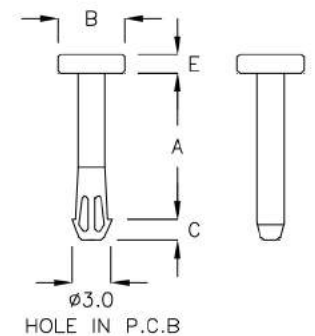
5-47-2



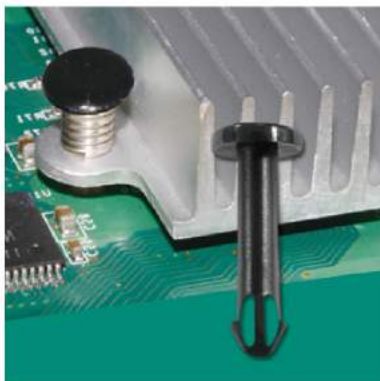
散熱片鉚釘 MOUNTING BUTTON

MATERIAL: NYLON 66(UL)
 FLAME CLASS: 94V-2
 COLOR: NATURAL
 HOLE IN HEAT SINK: $\Phi 3.2$
 SPECIFIC SPRING SPEC FOR
 APPLICATIVE THICKNESS OF CHASSIS

PART NO	A	B	C	E	PACKAGE
MB-07C	14.0	$\Phi 6.4$	3.3	1.8	2000
MB-07W	14.0	$\Phi 6.4$	2.0	1.8	
MB-14A	9.5	$\Phi 6.4$	3.3	1.5	
MB-14K	9.5	$\Phi 6.4$	3.3	0.9	
MB-15D	15.0	$\Phi 5.0$	2.0	1.8	



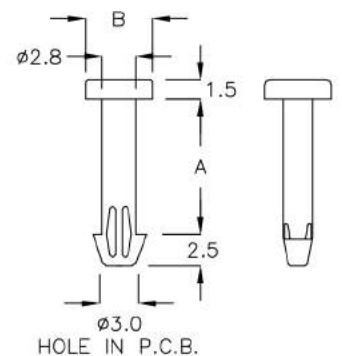
5-47-3



散熱片鉚釘 MOUNTING BUTTON

MATERIAL: NYLON 66(UL)
 FLAME CLASS: 94V-2
 COLOR: NATURAL, BLACK
 HOLE IN HEAT SINK: $\Phi 3.2$
 SPECIFIC SPRING SPEC FOR
 APPLICATIVE THICKNESS OF CHASSIS

PART NO	A	B	PACKAGE
MB-15A	11.5	$\Phi 6.4$	2000
MB-12XQ	8.7	$\Phi 6.4$	



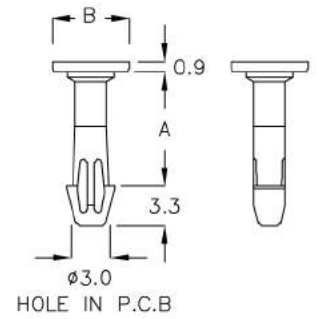
5-48-1



散熱片鉚釘 MOUNTING BUTTON

MATERIAL: NYLON 66(UL)
 FLAME CLASS: 94V-2
 COLOR: NATURAL
 HOLE IN HEAT SINK: $\Phi 3.2$
 SPECIFIC SPRING SPEC FOR
 APPLICATIVE THICKNESS OF CHASSIS

PART NO	A	B	PACKAGE
MB-14M	9.5	$\Phi 6.4$	2000



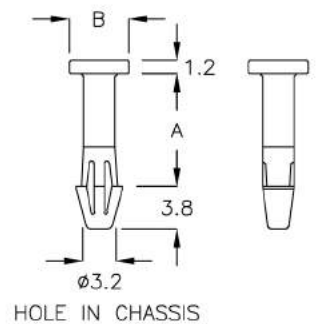
5-48-2



散熱片鉚釘 MOUNTING BUTTON

MATERIAL: NYLON 66(UL)
 FLAME CLASS: 94V-2
 COLOR: BLACK
 HOLE IN HEAT SINK: $\Phi 3.4$
 SPECIFIC SPRING SPEC FOR
 APPLICATIVE THICKNESS OF CHASSIS

PART NO	A	B	PACKAGE
MB-15NK	10.0	$\Phi 5.3$	2000



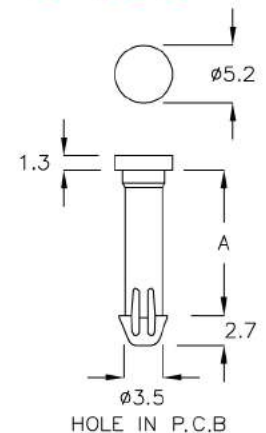
5-48-3



散熱片鉚釘 MOUNTING BUTTON

MATERIAL: NYLON 66(UL)
 FLAME CLASS: 94V-2
 COLOR: BLACK
 HOLE IN HEAT SINK: $\Phi 3.7$
 SPECIFIC SPRING SPEC FOR
 APPLICATIVE THICKNESS OF CHASSIS

PART NO	A	PACKAGE
MB-17F	13.1	1000



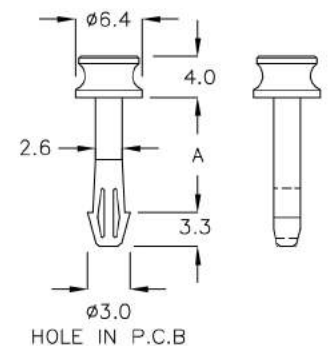
5-48-4



散熱片鉚釘 MOUNTING BUTTON

MATERIAL: NYLON 66(UL)
 FLAME CLASS: 94V-2
 COLOR: NATURAL
 HOLE IN HEAT SINK: $\Phi 3.2$
 SPECIFIC SPRING SPEC FOR
 APPLICATIVE THICKNESS OF CHASSIS

PART NO	A	PACKAGE
MB-99	11.0	2000
MB-99A	14.0	



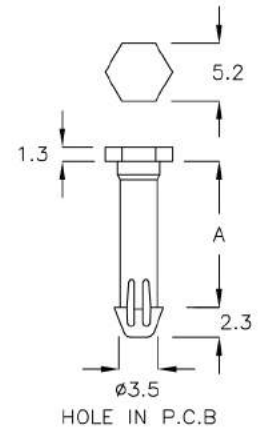
5-49-1



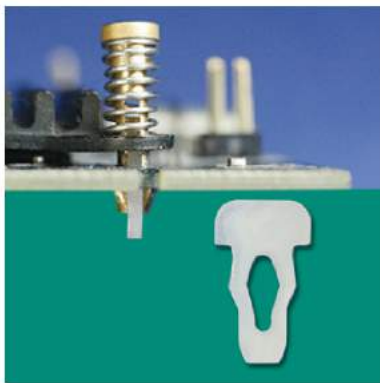
散熱片鉚釘 MOUNTING BUTTON

MATERIAL: NYLON 66(UL)
 FLAME CLASS: 94V-2
 COLOR: BLACK
 HOLE IN HEAT SINK: $\Phi 3.7$
 SPECIFIC SPRING SPEC FOR
 APPLICATIVE THICKNESS OF CHASSIS

PART NO	A	PACKAGE
MBH-16K	13.1	1000



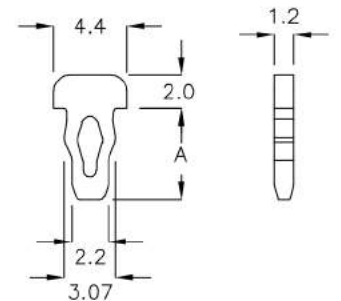
5-49-2



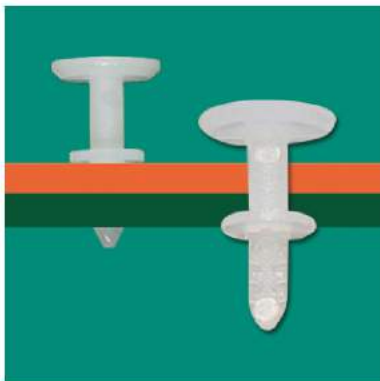
定位銷 PIN PLANAR LOCATOR

MATERIAL: NYLON 66(UL)
 FLAME CLASS: 94V-2
 COLOR: NATURAL

PART NO	A	PACKAGE
MBZ-06	5.5	2000



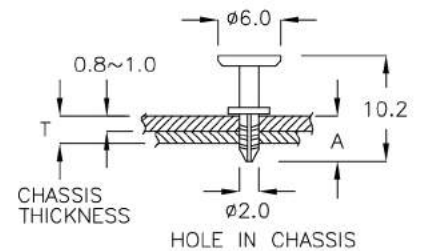
5-49-3



鉚釘 CANOE CLIP

MATERIAL: NYLON 66(UL)
 FLAME CLASS: 94V-2
 COLOR: NATURAL

PART NO	A	T CHASSIS THICKNESS	PACKAGE
MB-014	4.6	>2.4	2000



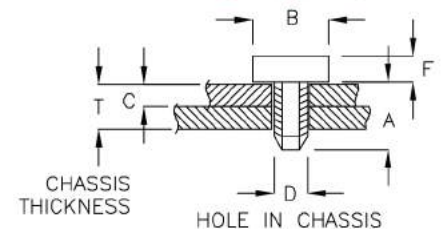
5-49-4



鉚釘 CANOE CLIP

MATERIAL: NYLON 66(UL)
 FLAME CLASS: 94V-2
 COLOR: NATURAL

PART NO	A	B	C CHASSIS THICKNESS	D HOLE IN CHASSIS	F	T CHASSIS THICKNESS	PACKAGE
MB-14Q	3.1	$\Phi 3.5$	0.8~1.0	$\Phi 1.8$	1.2	>3.0	2000
MB-14R	3.8	$\Phi 5.0$	0.8~1.0	$\Phi 3.0$	0.7	>3.5	
MB-14S	3.8	$\Phi 5.0$	0.8~1.0	$\Phi 3.0$	0.5	>3.5	
MB-14H	5.5	$\Phi 5.0$	0.8~1.0	$\Phi 3.0$	0.5	>5.0	

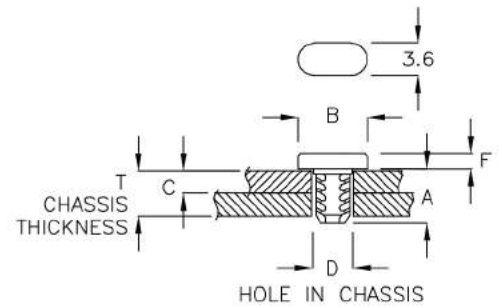


5-50-1



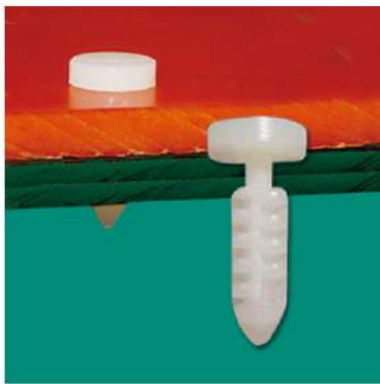
鉚釘 CANOE CLIP

MATERIAL: NYLON 66(UL)
FLAME CLASS: 94V-2
COLOR: BLACK



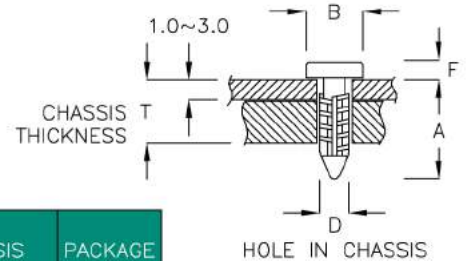
PART NO	A	B	C CHASSIS THICKNESS	D HOLE IN CHASSIS	F	T CHASSIS THICKNESS	PACKAGE
MBT-06	4.7	6.0	0.8~1.0	ø3.5	1.3	>5.0	2000

5-50-2



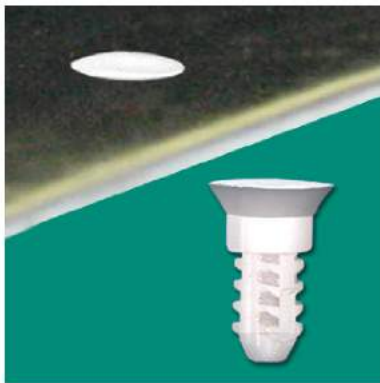
鉚釘 CANOE CLIP

MATERIAL: NYLON 66(UL)
FLAME CLASS: 94V-2
COLOR: NATURAL



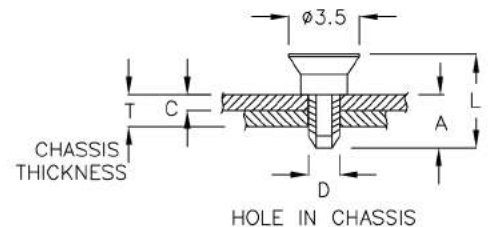
PART NO	A	B	D HOLE IN CHASSIS	F	T CHASSIS THICKNESS	PACKAGE
MB-011	9.7	ø5.5	ø2.9	1.5	>5.0	2000
MB-19A	17.6	ø10.9	ø5.0	1.0	>5.0	

5-50-3



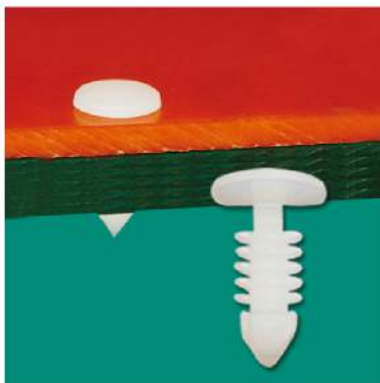
鉚釘 CANOE CLIP

MATERIAL: NYLON 66(UL)
FLAME CLASS: 94V-2
COLOR: NATURAL



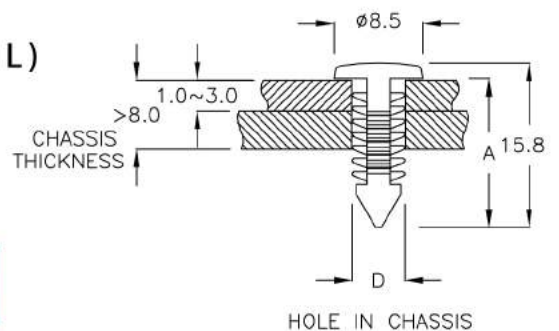
PART NO	A	C	D	T CHASSIS THICKNESS	L	PACKAGE
MB-14C	2.6	1.0	ø1.8	>2.6	4.6	2000
MB-14F	3.8	1.6	ø1.8	>3.8	7.3	

5-50-4



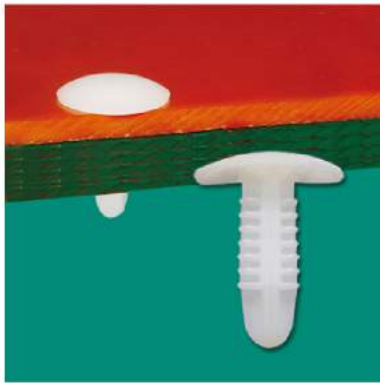
鉚釘 CANOE CLIP

MATERIAL: NYLON 66(UL)
FLAME CLASS: 94V-2
COLOR: NATURAL



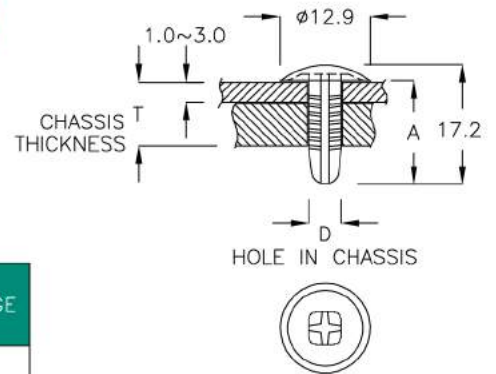
PART NO	A	D HOLE IN CHASSIS	PACKAGE
MB-17A	14.3	ø4.9~ø4.95	1000

5-51-1



鉚釘 MOUNTING BUTTON

MATERIAL: NYLON 66(UL)
FLAME CLASS: 94V-2
COLOR: NATURAL



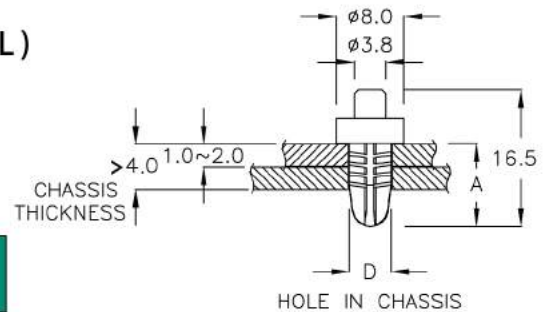
PART NO	A	D HOLE IN CHASSIS	T CHASSIS THICKNESS	PACKAGE
MB-17	14.9	ø5.0~ø5.1	>6.0	1000

5-51-2



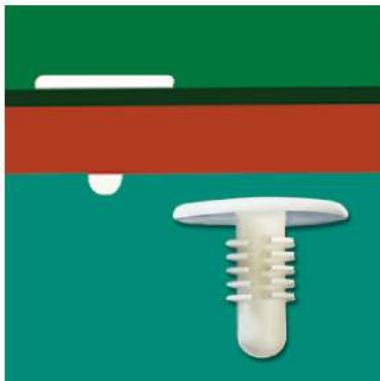
鉚釘 CANOE CLIP

MATERIAL: NYLON 66(UL)
FLAME CLASS: 94V-2
COLOR: BLACK



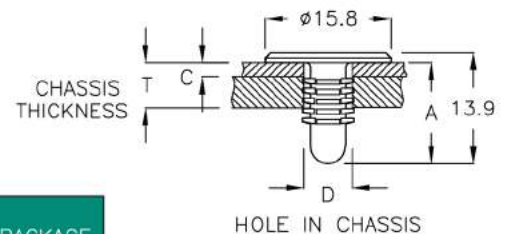
PART NO	A	D HOLE IN CHASSIS	PACKAGE
WCD-6A	10.0	ø5.6~ø5.7	2000

5-51-3



鉚釘 CANOE CLIP

MATERIAL: NYLON 66(UL)
FLAME CLASS: 94V-2
COLOR: NATURAL



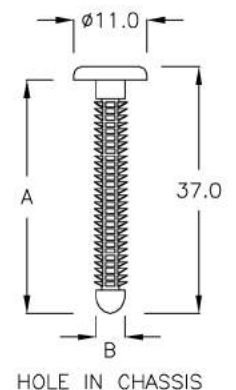
PART NO	A	C	D	T CHASSIS THICKNESS	PACKAGE
MBY-12JW	12.7	1.6	ø6.1	>6.0	1000

5-51-4



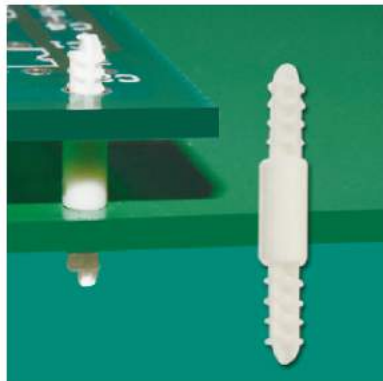
鉚釘 CANOE CLIP

MATERIAL: NYLON 66(UL)
FLAME CLASS: 94V-2
COLOR: NATURAL

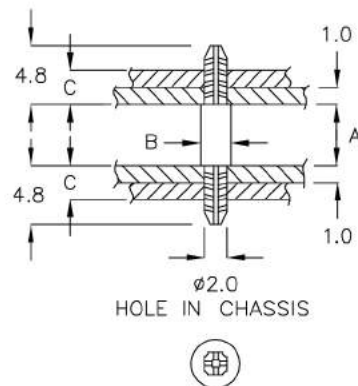


PART NO	A	B HOLE IN CHASSIS	PACKAGE
MB-35	35.0	ø4.7~ø4.9	1000

間隔柱用鉚釘 SUPPORTING RIVET



MATERIAL: NYLON 66(UL)
 FLAME CLASS: 94V-2
 COLOR: NATURAL
 C: CHASSIS THICKNESS

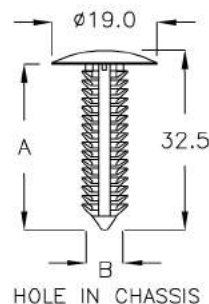


PART NO	A	B	C MAXIMUM THICKNESS	PACKAGE
MB-14D	5.0	$\phi 2.5$	3.0	2000

鉚釘 CANOE CLIP

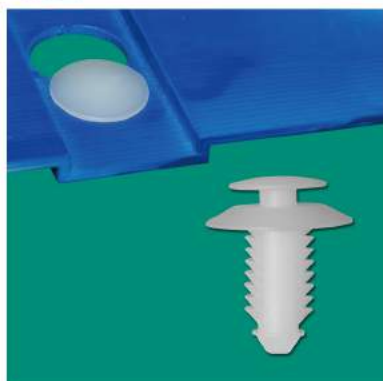


MATERIAL: NYLON 66(UL)
 FLAME CLASS: 94V-2
 COLOR: NATURAL

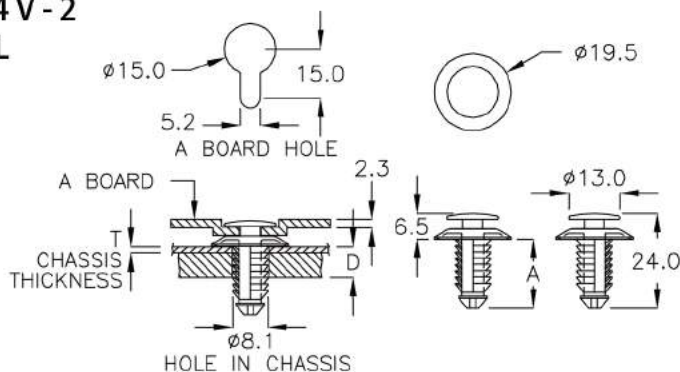


PART NO	A	B HOLE IN CHASSIS	CHASSIS THICKNESS	PACKAGE
MBTR-32	30.0	$\phi 7.1$	1.5~25.4	1000

鉚釘 CANOE CLIP

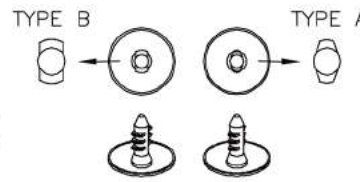
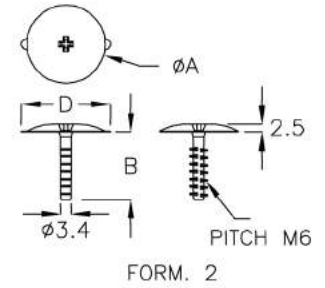
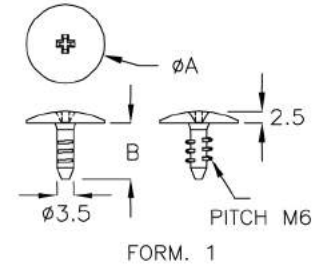
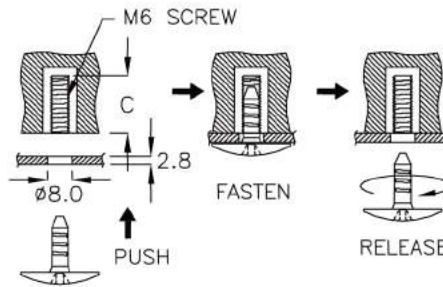
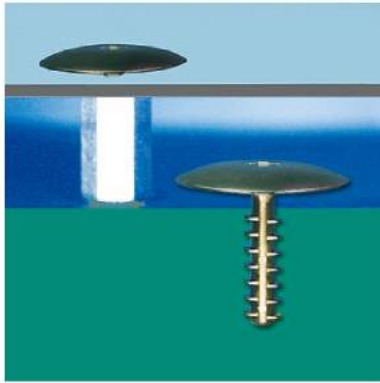


MATERIAL: NYLON 66(UL)
 FLAME CLASS: 94V-2
 COLOR: NATURAL



PART NO	A	A BOARD CHASSIS THICKNESS	T CHASSIS THICKNESS	D CHASSIS THICKNESS	PACKAGE
MBDA-24	17.5	2.3	0.8	12.0	1000

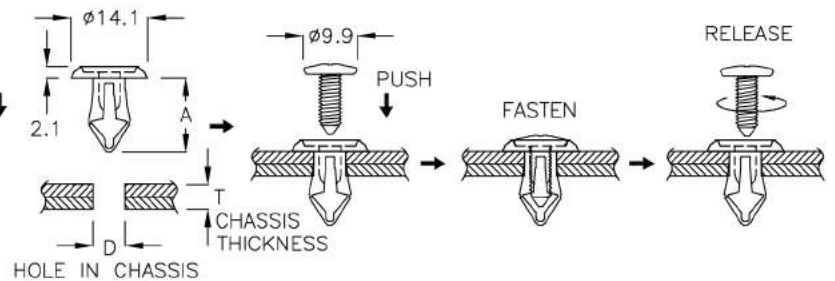
螺絲固定扣 PLASTIC SCREW



MATERIAL: NYLON 66(UL)
 FLAME CLASS: 94V-2
 COLOR: BLACK
 SZ-6M21A MATERIAL: ABS+PC
 FLAME CLASS: 94V-0
 COLOR: BLACK

PART NO	MATERIAL	A	B	C	D	HEAD STYLE	FIN STYLE	PACKAGE
SZ-6M12	N66	$\phi 16.8$	12.0	18.5		FORM.1	TYPE A	1000
★ SZ-6M12KD	N66	$\phi 16.8$	12.0	18.5		FORM.1	TYPE B	
★ SZ-6M13F	N66	$\phi 20.0$	13.5	18.5	24.0	FORM.2	TYPE B	
★ SZ-6M17D	N66	$\phi 20.0$	17.5	22.0	24.0	FORM.2	TYPE B	
★ SZ-6M21MQ	N66	$\phi 20.0$	21.5	25.0	24.0	FORM.2	TYPE B	
SZ-6M21A	ABS+PC	$\phi 25.0$	21.5	25.0	28.6	FORM.2	TYPE A	

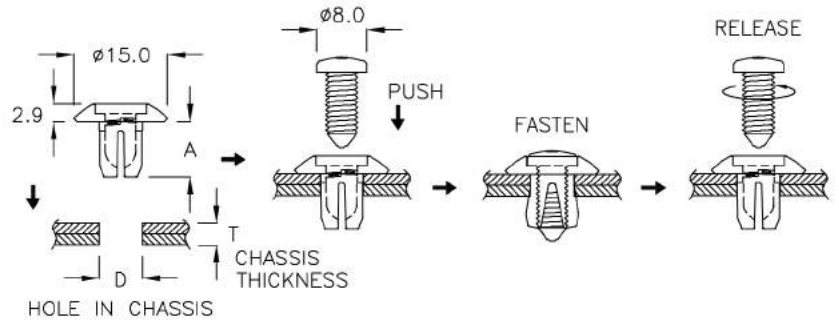
鉚釘 SNAP RIVET



MALE MATERIAL: PC(UL)
 FLAME CLASS: 94V-2
 FEMALE MATERIAL: NYLON 66(UL)
 FLAME CLASS: 94V-2
 COLOR: BLACK

PART NO	A	D HOLE IN CHASSIS	T CHASSIS THICKNESS	PACKAGE
MEL-6A	13.65	$\phi 5.9$	4.5	1000

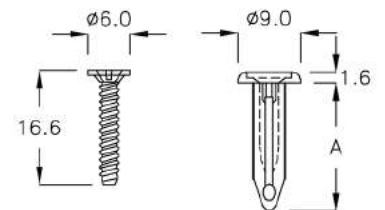
鉚釘 SNAP RIVET



MALE MATERIAL: PC(UL)
 FLAME CLASS: 94V-0
 FEMALE MATERIAL: PC(UL)
 FLAME CLASS: 94V-0
 COLOR: BLACK

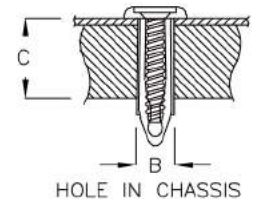
PART NO	A	D HOLE IN CHASSIS	T CHASSIS THICKNESS	PACKAGE
MEP-07	8.85	$\phi 7.0$	4.0~5.5	1000

鉚釘 SNAP RIVET

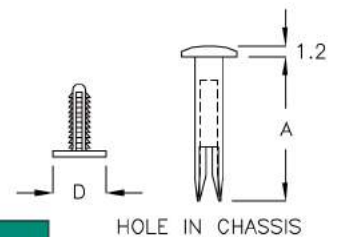


MATERIAL: NYLON 66(UL)
 FLAME CLASS: 94V-2
 COLOR: BLACK

PART NO	A	B HOLE IN CHASSIS	C CHASSIS THICKNESS	PACKAGE
MEC-18	18.45	$\phi 5.0$	9.5~11.5	1000

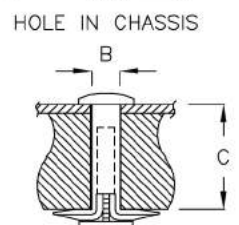


鉚釘 MOUNTING BUTTON



MALE MATERIAL: NYLON 66(UL)
 FLAME CLASS: 94V-2
 FEMALE MATERIAL: PU
 COLOR: BLACK

PART NO	A	B HOLE IN CHASSIS	C CHASSIS THICKNESS	D	PACKAGE
SRU-3	15.7	$\phi 3.2$	10.5~11.5	$\phi 5.8$	2000
SRU-3A	11.0	$\phi 2.7$	9.0~9.5	$\phi 5.6$	
SRU-3S	15.5	$\phi 2.7$	10.7~11.2	$\phi 5.6$	

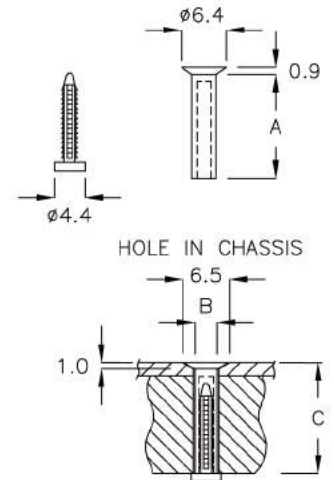


鉚釘 MOUNTING BUTTON



MALE MATERIAL: NYLON 66(UL)
 FLAME CLASS: 94V-2
 FEMALE MATERIAL: PU
 COLOR: BLACK

PART NO	A	B HOLE IN CHASSIS	C CHASSIS THICKNESS	PACKAGE
SRU-3F	15.1	∅3.5	16.2~16.8	2000

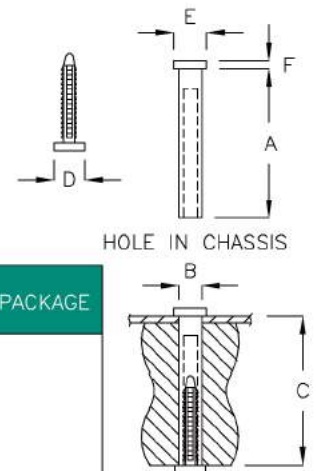


鉚釘 MOUNTING BUTTON



MALE MATERIAL: NYLON 66(UL)
 FLAME CLASS: 94V-2
 FEMALE MATERIAL: PU
 COLOR: BLACK

PART NO	A	B HOLE IN CHASSIS	C CHASSIS THICKNESS	D	E	F	PACKAGE
SRU-3C	18.6	∅3.4	18.8~19.5	∅4.4	∅4.7	1.1	2000
SRU-3H	26.0	∅4.5	26.2~26.8	∅5.4	∅6.0	1.1	
SRU-3J	21.0	∅4.4	21.2~21.8	∅6.0	∅6.0	1.0	
SRU-3K	17.6	∅4.2	17.8~18.4	∅7.4	∅7.4	1.2	
SRU-3M	15.3	∅4.5	15.8~16.2	∅7.4	∅7.4	1.2	
SRU-3ND	25.5	∅4.3	25.8~26.3	∅6.0	∅6.0	1.0	
SRU-3P	15.3	∅4.1	15.8~16.2	∅7.4	∅7.4	1.2	
SRU-3R	23.5	∅4.3	23.7~24.3	∅6.0	∅6.0	1.0	
SRU-3T	20.4	∅3.4	21.0~20.6	∅4.4	∅4.7	1.1	

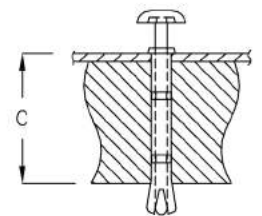
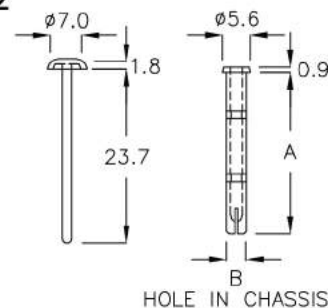


鉚釘 MOUNTING BUTTON

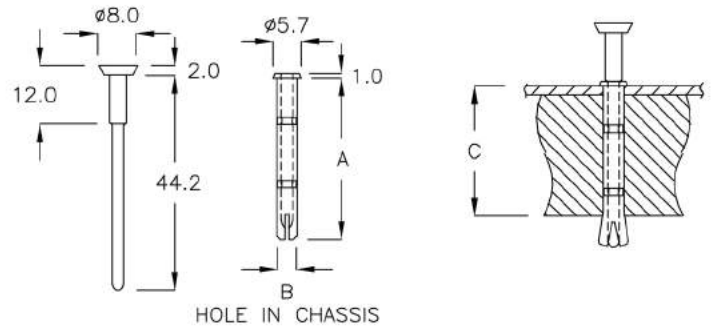


MALE MATERIAL: NYLON 66(UL)
 FEMALE MATERIAL: NYLON 66(UL)
 FLAME CLASS: 94V-2
 COLOR: BLACK

PART NO	A	B HOLE IN CHASSIS	C CHASSIS THICKNESS	PACKAGE
SR-4WY	23.5	∅4.0	20.5~21.5	2000



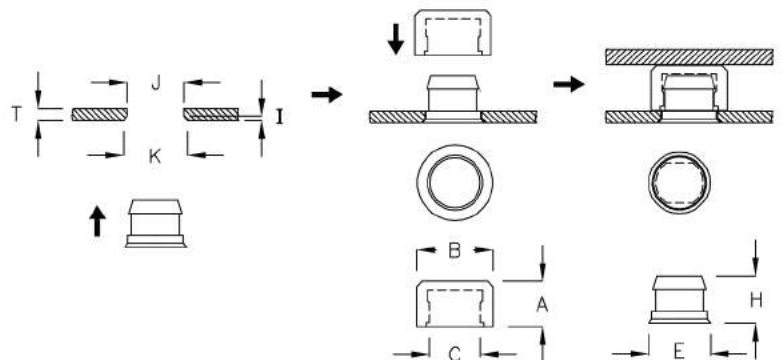
鉚釘 MOUNTING BUTTON



MALE MATERIAL: NYLON 66(UL)
 FEMALE MATERIAL: NYLON 66(UL)
 FLAME CLASS: 94V-2
 COLOR: BLACK

PART NO	A	B HOLE IN CHASSIS	C CHASSIS THICKNESS	PACKAGE
SR-4DK	33.2	$\phi 4.0$	29.0~30.0	2000

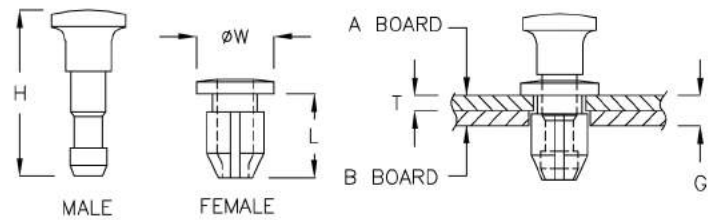
固定扣 SNAP LATCH



MATERIAL: NYLON 66(UL)
 FLAME CLASS: 94V-2
 COLOR: NATURAL

PART NO	A	B	C	E	H	I	J	K	T	PACKAGE
LH-013	4.0	$\phi 6.9$	$\phi 4.5$	$\phi 5.6$	4.2	0.6	5.1	5.8	1.2	2000
LH-015	9.4	$\phi 8.9$	$\phi 4.5$	$\phi 5.6$	4.2	0.5	5.1	5.8	1.0	
LH-016	5.1	$\phi 6.9$	$\phi 4.5$	$\phi 5.6$	4.2	0.6	5.1	5.8	1.2	
LH-017	3.6	$\phi 6.9$	$\phi 4.5$	$\phi 5.6$	3.5	0.6	5.1	5.8	1.2	
LH-018	3.4	$\phi 6.9$	$\phi 4.5$	$\phi 5.6$	3.5	1.3	5.1	5.8	1.9	
LH-019	3.8	$\phi 6.9$	$\phi 4.6$	$\phi 5.4$	4.2	0.55	4.9	5.6	1.1	
LH-021	3.0	$\phi 6.9$	$\phi 4.6$	$\phi 5.6$	3.4	0.6	5.15	5.8	1.2	
LH-024	2.9	$\phi 6.9$	$\phi 4.5$	$\phi 5.6$	2.75	0.45	5.15	6.05	0.8	
LH-026	4.0	$\phi 6.9$	$\phi 4.5$	$\phi 5.6$	3.9	0.6	5.1	5.8	0.8	
LH-027	3.3	$\phi 6.9$	$\phi 4.6$	$\phi 5.95$	3.3	0.66	5.1	6.6	1.0	

固定扣 SNAP LATCH



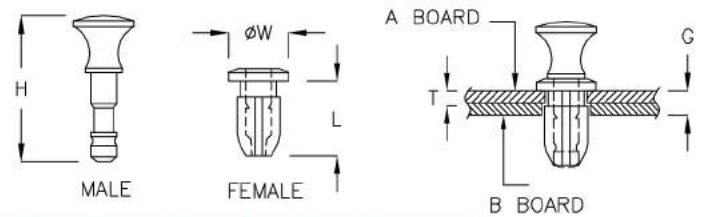
MALE MATERIAL: NYLON 66(UL)
 FLAME CLASS: 94V-2
 FEMALE MATERIAL: PC(UL)
 FLAME CLASS: 94V-2
 COLOR: BLACK

PART NO	T THICKNESS	G THICKNESS	A HOLE	B HOLE	L	W	H	PACKAGE
LH-01C	1.8~2.0	3.4~4.8	ø6.0	ø6.4	9.2	8.5	15.3	1000
LH-01D	2.1	4.1~4.8	ø6.0	ø6.4	9.2	8.5	18.2	
LH-01F	2.5	4.5~4.8	ø6.25	ø6.4	9.6	8.5	19.3	
LH-01M	1.6	2.7~3.6	ø6.1	ø6.4	8.6	8.5	17.5	
LH-01P	2.0	3.6~4.0	ø6.1	ø6.3	9.2	8.5	17.5	
LH-1	1.8~2.0	3.4~4.0	ø6.0	ø6.4	9.2	8.5	18.2	
LH-1L	3.9	7.7~8.2	ø6.0	ø6.4	11.3	8.5	20.2	
LH-2	1.5	3.8~4.6	ø7.6	ø8.0	9.9	10.8	18.2	500
LH-3	2.5	3.0~5.2	ø7.6	ø8.0	10.4	10.8	18.7	

固定扣 SNAP LATCH



MALE MATERIAL: NYLON 66(UL)
 FLAME CLASS: 94V-2
 FEMALE MATERIAL : PC(UL)
 FLAME CLASS: 94V-2
 COLOR: BLACK

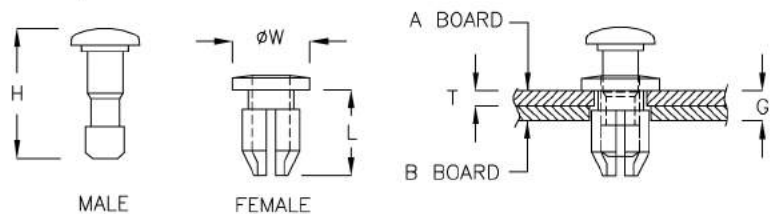


PART NO	T THICKNESS	G THICKNESS	A HOLE	B HOLE	L	W	H	PACKAGE
LH-01H	1.5~1.6	4.1~4.3	ø4.6	ø4.8	8.1	6.5	15.9	1000
LH-1RK	1.5~1.6	4.1~4.3	ø4.6	ø4.8	8.1	6.5	12.9	
LH-1Q	0.8	1.6~2.3	ø6.4	ø6.55	6.7	8.5	16.4	

固定扣 SNAP LATCH

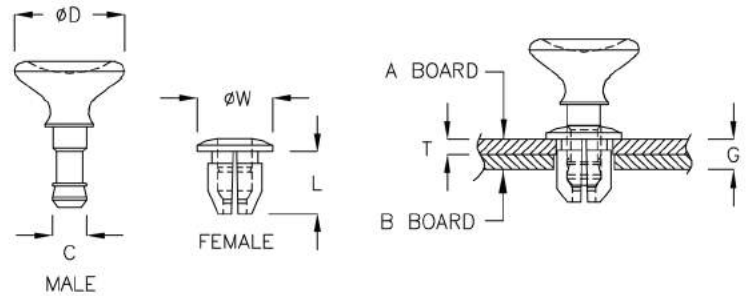


MALE MATERIAL: NYLON 66(UL)
 FLAME CLASS: 94V-2
 FEMALE MATERIAL : PC(UL)
 FLAME CLASS: 94V-2
 COLOR: NATURAL, BLACK



PART NO	T THICKNESS	G THICKNESS	A HOLE	B HOLE	L	W	H	PACKAGE
LH-01J	1.8~2.0	3.4~4.0	ø6.0	ø6.4	9.2	8.5	14.0	1000

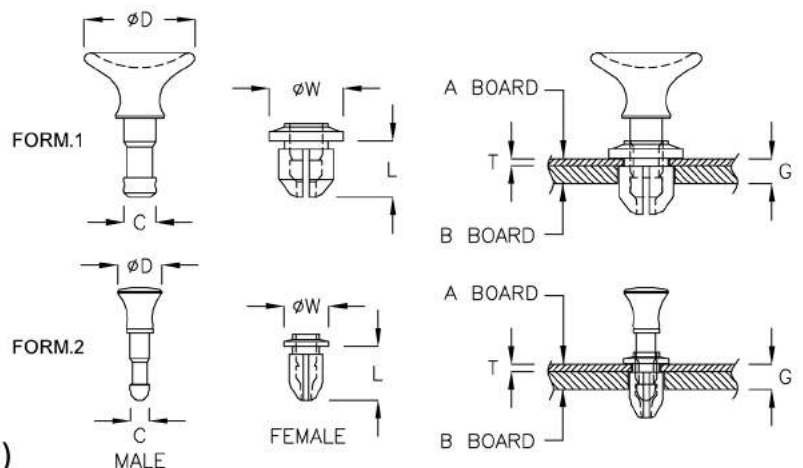
固定扣 SNAP LATCH



MALE MATERIAL: NYLON 66(UL)
 FLAME CLASS: 94V-2
 FEMALE MATERIAL: PC(UL)
 FLAME CLASS: 94V-2
 COLOR: BLACK

PART NO	T THICKNESS	G THICKNESS	A HOLE	B HOLE	C	D	L	W	PACKAGE
LH-2D	1.5	3.8~4.6	Ø7.6	Ø8.0	4.6	15.8	9.9	10.8	500
LH-2C	1.6	3.4~3.7	Ø7.6	Ø8.0	4.5	15.6	9.0	10.9	
LH-2T	1.6	3.4~3.7	Ø7.6	Ø8.0	4.6	15.8	9.0	10.9	
LH-04C	1.6	2.4~3.6	Ø7.6	Ø8.0	4.6	16.0	8.8	10.7	
LH-04D	2.4	3.5	Ø7.5	Ø8.0	5.0	16.0	9.9	10.5	

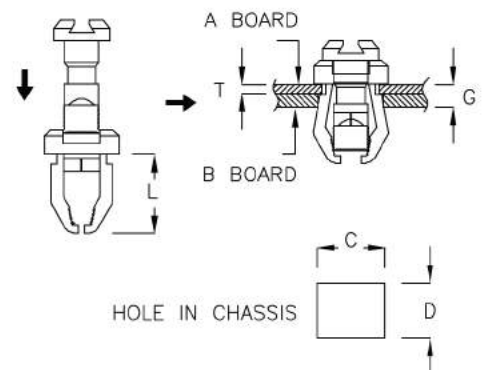
固定扣 SNAP LATCH



MALE MATERIAL: NYLON 66(UL)
 FLAME CLASS: 94V-2
 FEMALE MATERIAL: PC(UL)
 FLAME CLASS: 94V-2
 COLOR: BLACK

PART NO	T THICKNESS	G THICKNESS	A HOLE	B HOLE	C	D	L	W	FORM	PACKAGE
LH-04A	1.0	2.6~3.0	Ø7.8	Ø8.0	4.6	16.0	8.1	10.7	1	500
LH-4KP	1.0	2.8~3.8	Ø4.7	Ø4.8	2.7	6.35	7.7	6.5	2	1000

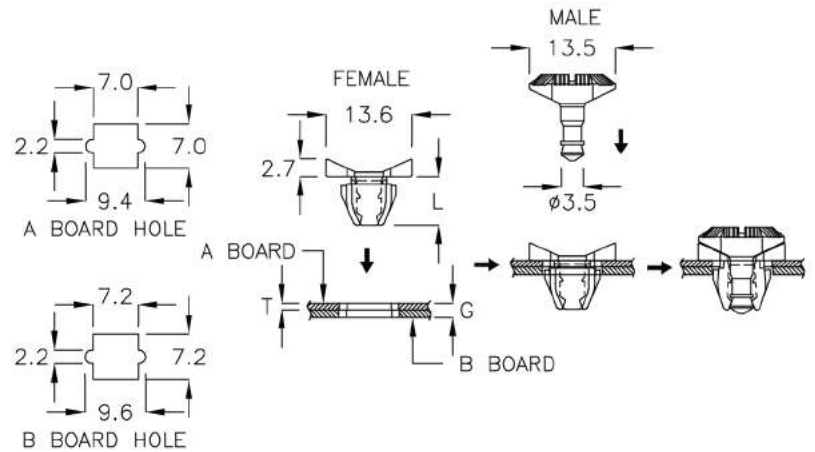
固定扣 SNAP LATCH



MATERIAL: PC(UL)
 FLAME CLASS: 94V-2
 COLOR: BLACK

PART NO	T THICKNESS	G THICKNESS	A BOARD HOLE CxD	B BOARD HOLE CxD	L	PACKAGE
LH-009	1.2	2.4~2.7	9.0x9.0	9.5x9.0	12.2	200

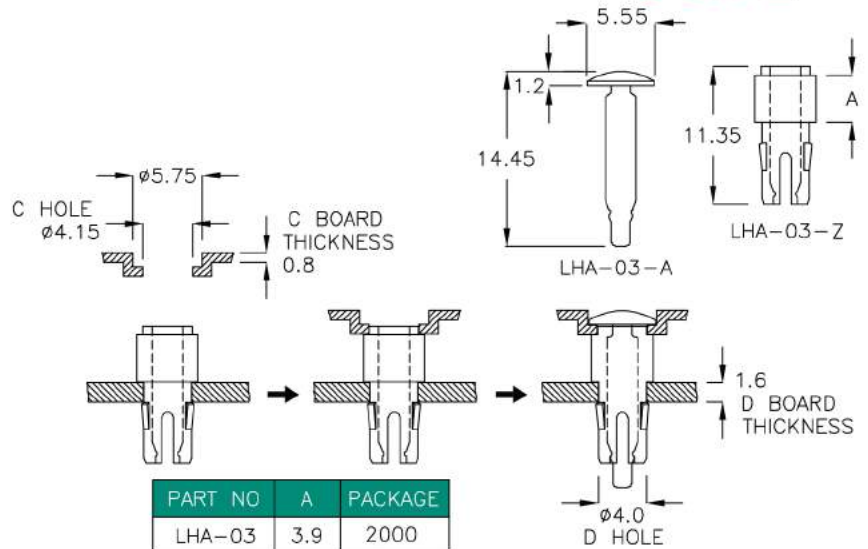
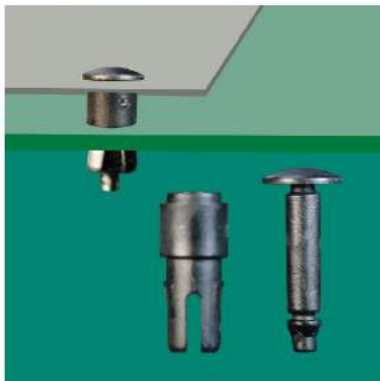
固定扣 SNAP LATCH



MATERIAL: NYLON 66(UL)
 FLAME CLASS: 94V-0
 FEMALE MATERIAL: NYLON 66(UL)
 FLAME CLASS: 94V-0
 COLOR: BLACK

PART NO	T THICKNESS	G THICKNESS	L	PACKAGE
LHM-7JQ	1.0	2.2	7.7	500

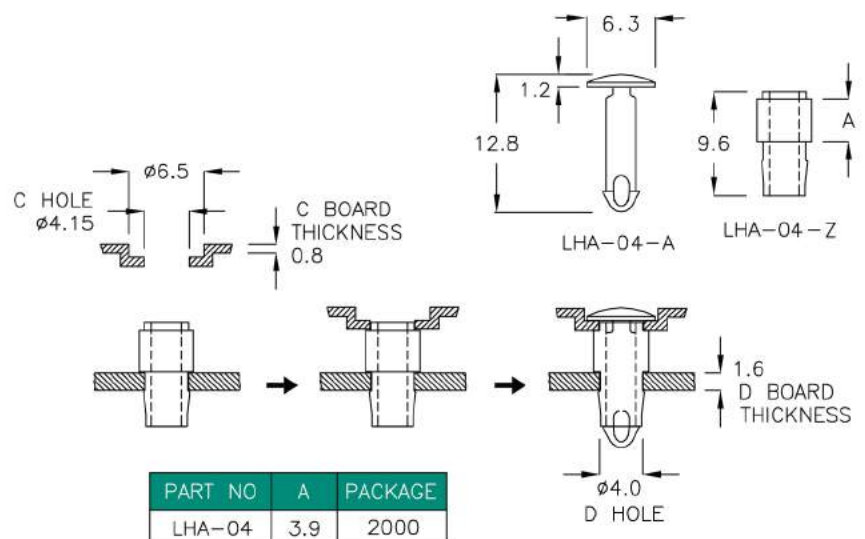
固定扣 SNAP LATCH



MATERIAL: NYLON 66(UL)
 FLAME CLASS: 94V-2
 COLOR: BLACK

PART NO	A	PACKAGE
LHA-03	3.9	2000

固定扣 SNAP LATCH



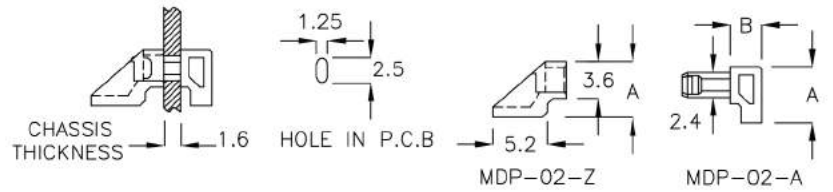
MATERIAL: NYLON 66(UL)
 FLAME CLASS: 94V-2
 COLOR: BLACK

PART NO	A	PACKAGE
LHA-04	3.9	2000

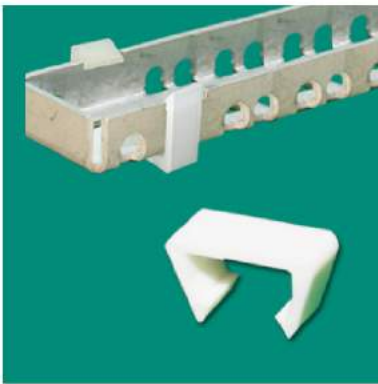


P.C.B. 固定座 P.C.B. MOUNT

MATERIAL: NYLON 66(UL)
FLAME CLASS: 94V-0
COLOR: NATURAL

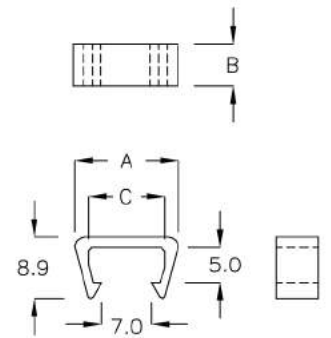


PART NO	A	B	PACKAGE
MDP-02-A	5.4	3.0	2000
MDP-02-Z	5.4	7.0	

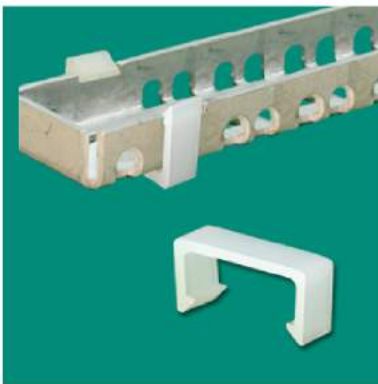


固定扣 MOUNT

MATERIAL: NYLON 66(UL)
FLAME CLASS: 94V-2
COLOR: NATURAL

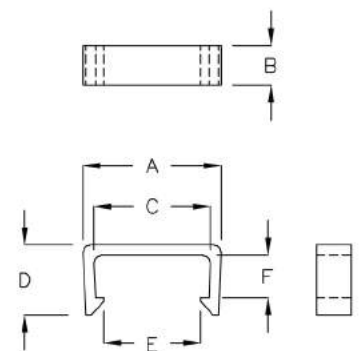


PART NO	A	B	C	PACKAGE
LHY-01	15.0	6.0	11.0	500



天線固定扣 MOUNT

MATERIAL: NYLON 66(UL)
FLAME CLASS: 94V-2
COLOR: NATURAL



PART NO	A	B	C	D	E	F	PACKAGE
LHY-12	12.0	7.0	9.2	6.6	7.0	2.4	2000
LHY-20	19.9	5.7	16.75	10.1	13.9	6.1	1000

5-61-1

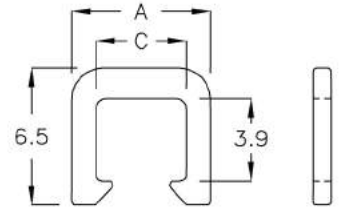
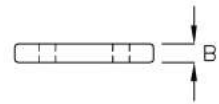


固定扣 MOUNT

MATERIAL: PC(UL)
FLAME CLASS: 94V-2
COLOR: NATURAL

NEW

PART NO	A	B	C	PACKAGE
★ LHG-06M	6.5	0.85	4.3	1000



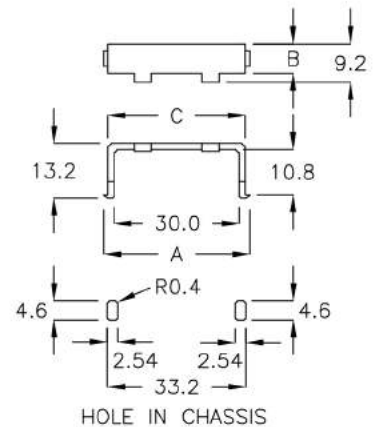
5-61-2



固定扣 NIFLATCH

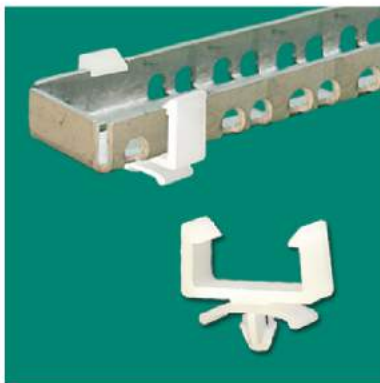
MATERIAL: NYLON 66(UL)
FLAME CLASS: 94V-0
COLOR: NATURAL

PART NO	A	B	C	PACKAGE
LHJ-33C	35.0	7.1	33.0	500



HOLE IN CHASSIS

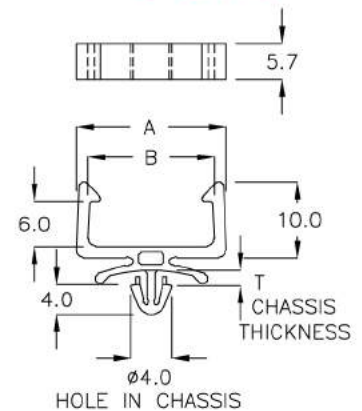
5-61-3



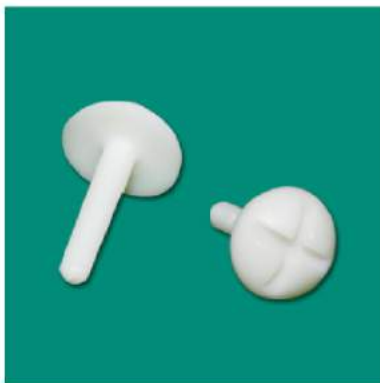
天線固定座 MOUNT

MATERIAL: NYLON 66(UL)
FLAME CLASS: 94V-2
COLOR: NATURAL

PART NO	A	B	T CHASSIS THICKNESS	PACKAGE
MRT-19Q	19.8	16.7	1.0~1.5	1000
MRT-19SK	19.8	16.7	1.5~2.0	



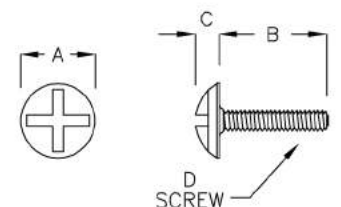
5-61-4



塑膠螺絲 PLASTIC SCREW

MATERIAL: NYLON 66(UL)
FLAME CLASS: 94V-2
COLOR: NATURAL
D: SCREW

PART NO	A	B	C	D	PACKAGE
S-2M10C	∅7.0	10.0	2.2	M2	2000

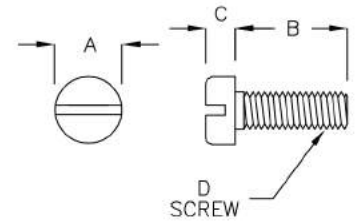




塑膠螺絲 PLASTIC SCREW

MATERIAL: NYLON 66(UL)
 FLAME CLASS: 94V-2
 COLOR: NATURAL
 D: SCREW

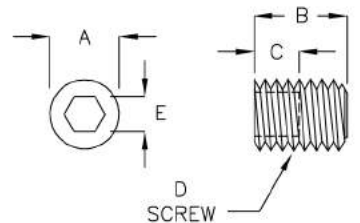
PART NO	A	B	C	D	PACKAGE
S-2M07	ø4.0	6.9	1.6	M2.6	2000
★ S-2M8DK	ø4.0	8.2	1.8	M2.6	
S-2M9A	ø4.0	9.5	1.6	M2.6	
S-2M10	ø4.0	10.5	1.8	M2.6	



塑膠螺絲 PLASTIC SCREW

MATERIAL: POM(UL)
 FLAME CLASS: 94HB
 COLOR: NATURAL
 D: SCREW

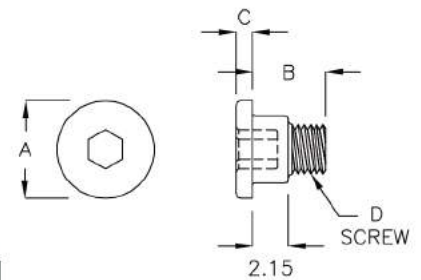
PART NO	A	B	C	D	E	PACKAGE
SU-304	ø2.9	4.0	2.5	M3	1.5	2000
SU-508	ø4.9	8.0	3.0	M5	2.5	



塑膠螺絲 PLASTIC SCREW

MATERIAL: POM(UL)
 FLAME CLASS: 94HB
 COLOR: BLACK
 D: SCREW

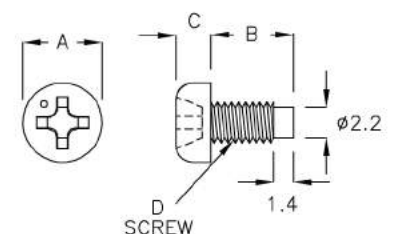
PART NO	A	B	C	D	PACKAGE
S-302Y	ø5.85	4.35	1.0	M3	2000



塑膠螺絲 PLASTIC SCREW

MATERIAL: PC(UL)
 FLAME CLASS: 94V-2
 COLOR: NATURAL
 D: SCREW
 OPTIONAL MATERIAL:
 NYLON 66(UL)

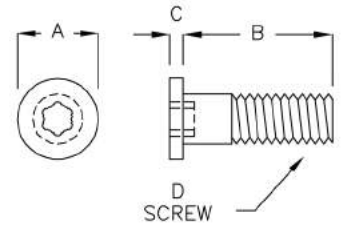
PART NO	A	B	C	D	PACKAGE
S-306A	ø5.7	5.9	2.5	M3	2000



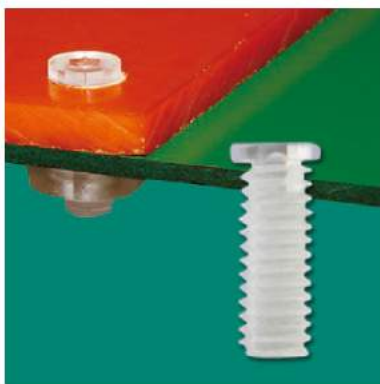


塑膠螺絲 PLASTIC SCREW

MATERIAL: PC(UL)
FLAME CLASS: 94V-2
COLOR: NATURAL
D: SCREW

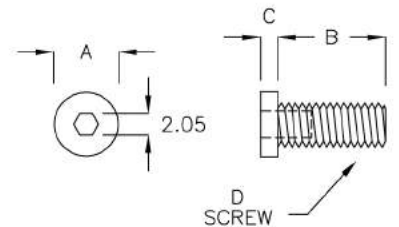


PART NO	A	B	C	D	PACKAGE
S-410W	ø6.5	9.9	1.1	M4	1000
S-412W	ø6.5	11.9	1.1	M4	



塑膠螺絲 PLASTIC SCREW

MATERIAL: PC(UL)
FLAME CLASS: 94V-2
COLOR: CLEAR
D: SCREW

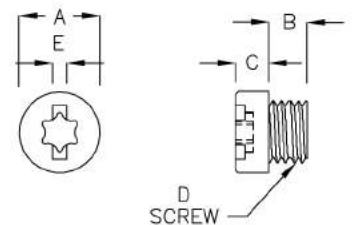


PART NO	A	B	C	D	PACKAGE
S-410Y	ø4.9	10.2	1.0	M4	1000



塑膠螺絲 PLASTIC SCREW

MATERIAL: NYLON 66(UL)
FLAME CLASS: 94V-2
COLOR: NATURAL
D: SCREW

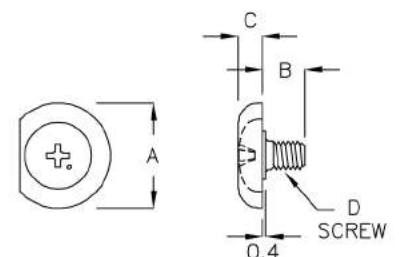


PART NO	A	B	C	D	E	PACKAGE
SU6A-3A	ø6.8	3.5	2.8	#6-32	1.2	2000
S-6M2A	ø8.3	2.2	2.2	M6x0.5	1.0	



塑膠螺絲 PLASTIC SCREW

MATERIAL: PC(UL)
FLAME CLASS: 94V-2
COLOR: CLEAR
D: SCREW

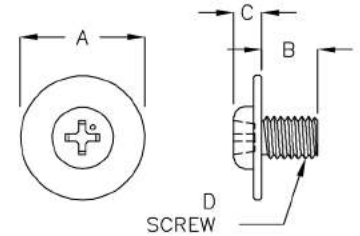


PART NO	A	B	C	D	PACKAGE
S-304F	ø11.0	4.45	2.5	M3	1000

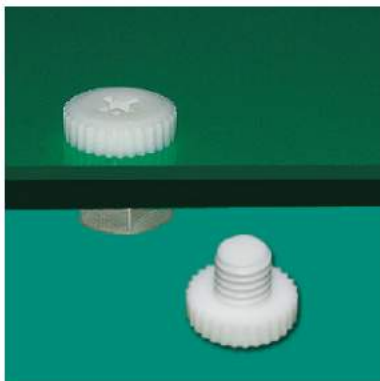


塑膠螺絲 PLASTIC SCREW

MATERIAL: NYLON 66(UL)
 FLAME CLASS: 94V-2
 COLOR: NATURAL
 MATERIAL: PPS(UL)
 FLAME CLASS: 94V-0
 COLOR: BLACK
 D: SCREW

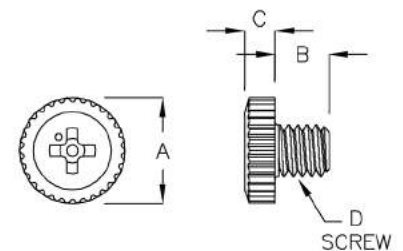


PART NO	MATERIAL	A	B	C	D	PACKAGE
S-4M5P	PPS	18.0	5.0	3.0	M4	1000
S-5M6T	PPS	18.0	6.0	3.5	M5	
S-6M8F	N66	18.0	8.0	4.0	M6	

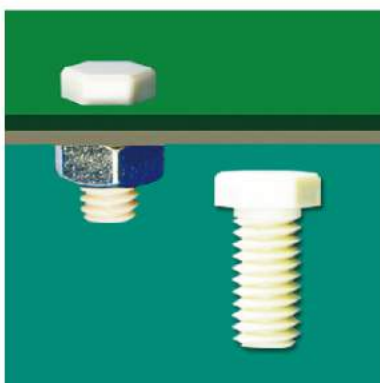


塑膠螺絲 PLASTIC SCREW

MATERIAL: NYLON 66(UL)
 FLAME CLASS: 94V-0
 COLOR: NATURAL
 D: SCREW

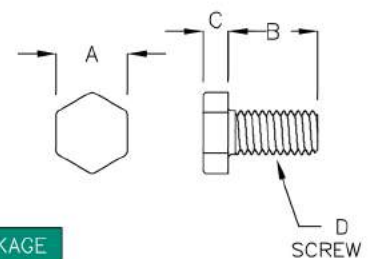


PART NO	A	B	C	D	PACKAGE
★ S-608W	ø11.5	5.9	3.3	M6	1000



塑膠螺絲 PLASTIC SCREW

FLAME CLASS: 94V-0
 COLOR: NATURAL
 D: SCREW

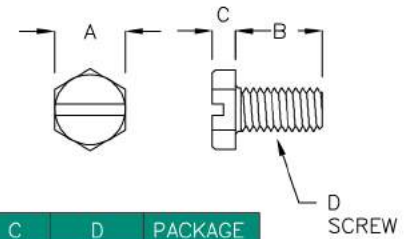


PART NO	MATERIAL	A	B	C	D	PACKAGE
SQA-406	PPS	7.0	6.0	2.4	M4	1000
SQA-408	PPS	7.0	8.0	2.4		
SQA-412	PPS	7.0	12.0	2.4		
SQA-410	PEEK	7.0	10.0	2.4	M5	
SQA-508	PPS	8.0	8.0	2.8		
SQA-510	PEEK	8.0	10.0	2.8		
SQA-512	PPS	8.0	12.0	2.8	M6	
SQA-515	PPS	8.0	15.0	2.8		
SQA-610	PPS	8.0	10.0	2.8		
SQA-612	PEEK	8.0	12.0	2.8		



塑膠螺絲 PLASTIC SCREW

MATERIAL: NYLON 66(UL)
 FLAME CLASS: 94V-2
 COLOR: NATURAL
 D: SCREW

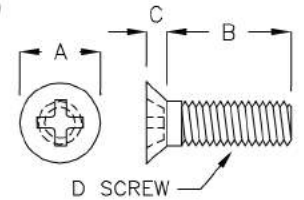


PART NO	A	B	C	D	PACKAGE
SUN4-406	4.6	6.35	1.25	#4-40	1000
SUN4-409	4.6	9.5	1.25		
SUN4-412	4.6	12.7	1.25		
SUN4-419	4.6	19.0	1.25		
SUN4-425	4.6	25.4	1.25	#6-32	
SUN6-606	6.2	6.35	2.05		
SUN6-609	6.2	9.5	2.05		
SUN6-612	6.2	12.7	2.05		
SUN6-619	6.2	19.0	2.05		
SUN6-625	6.2	25.4	2.05		



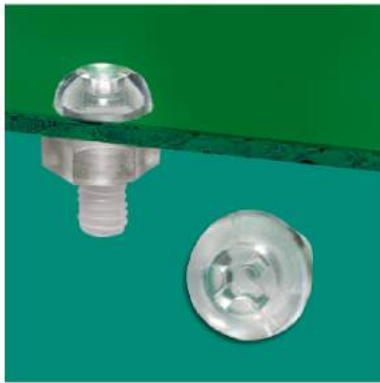
塑膠螺絲 PLASTIC SCREW

MATERIAL: PC(UL)
 FLAME CLASS: 94V-2
 COLOR: CLEAR
 OPTIONAL MATERIAL: NYLON 66(UL)
 FLAME CLASS: 94V-2
 COLOR: NATURAL
 MATERIAL: PEEK(UL)
 FLAME CLASS: 94V-0
 COLOR: NATURAL
 MATERIAL: PPS(UL)
 FLAME CLASS: 94V-0
 COLOR: BLACK
 D: SCREW



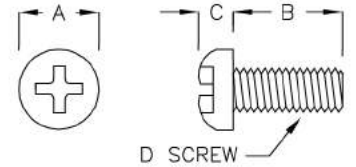
PART NO	MATERIAL	A	B	C	D	PACKAGE
SF-103BD	PEEK	ø3.2	2.0	1.2	M1.6	1000
SF-103NT	PEEK	ø3.2	2.5	1.2		
SF-104RM	PEEK	ø3.2	3.0	1.2		
SF-104WK	PEEK	ø3.2	3.5	1.2		
SF-105DP	PEEK	ø3.2	4.0	1.2		
SF-205	PC/N66	ø3.8	3.3	1.2		
SF-304	N66	ø6.0	2.3	1.7	M3	2000
SF-306	PC/N66	ø5.4	4.5	1.4	M3	1000
SF-308	PC/N66	ø5.8	6.4	1.5		
SF-310	PC/N66	ø5.5	9.0	1.2	M3	1000
SF-312	PC/N66	ø5.1	10.8	1.4		
SF-314	PC	ø5.6	12.8	1.4		

PART NO	MATERIAL	A	B	C	D	PACKAGE		
SF-406	PC	ø7.4	3.8	2.4	M4	1000		
SF-408	PC/N66	ø7.4	5.8	2.4				
SF-410	PC	ø7.6	7.9	2.1	M4	1000		
SF-412	PC	ø7.4	9.8	2.4				
SF-414	PPS/PC	ø7.4	11.6	2.4				
SF-416	PC	ø7.4	13.8	2.4				
SF-417	PPS/PC	ø7.4	14.6	2.4				
SF-418	PPS/PC	ø7.4	15.6	2.4				
SF-511	PC	ø9.1	8.2	2.5			M5	1000
SF-513	PC	ø9.1	10.2	2.5				
SF-515	PC	ø9.1	12.2	2.5				
SF-517	PPS/PC	ø9.1	14.5	2.5				
SF-518	PPS/PC	ø9.1	15.5	2.5				
SF-520	PPS/PC	ø9.1	17.5	2.5				
SN4-12	PC/N66	ø5.6	10.55	2.1	#4-40	1000		



塑膠螺絲 PLASTIC SCREW

MATERIAL: PC(UL), NYLON 66(UL)
 FLAME CLASS: 94V-2
 COLOR: CLEAR, NATURAL
 MATERIAL: PEEK(UL), PPS(UL)
 FLAME CLASS: 94V-0
 COLOR: NATURAL, BLACK
 D: SCREW



PART NO	MATERIAL	A	B	C	D	PACKAGE
S-102SY	PEEK	ø3.8	2.0	1.2	M1.6	2000
S-102LM	PEEK	ø3.8	2.5	1.2		
S-103FC	PEEK	ø3.8	3.17	1.2		
S-103A	PC/N66	ø3.8	3.3	1.2		
S-103YJ	PEEK	ø3.8	3.5	1.2		
S-104KP	PEEK	ø3.8	4.0	1.2		
S-104QH	PEEK	ø3.8	4.76	1.2		
S-105K	PC/N66	ø3.0	4.95	1.0		
S-106	PC/N66	ø3.8	6.0	1.2		
S-107WK	PEEK	ø3.8	7.94	1.2		
S-2M4K	PC/N66	ø6.0	4.5	2.5	M2.0	1000
S-2M6A	PC/N66	ø3.5	6.5	1.3		
S-2M08	PC/N66	ø3.5	8.0	1.3		
S-2M10A	PC	ø5.7	10.0	2.5	M2.5	
S-2AM11	PC/N66	ø4.3	11.0	1.6		
S-2M05	PC/N66	ø5.7	5.0	2.8	M2.6	
S-2M06	PC/N66	ø5.7	6.0	2.8		
S-304C	PC/N66	ø5.7	4.0	2.5	M3	
S-305A	PC/N66	ø5.7	5.0	2.5		
S-306	PC/N66	ø5.7	6.4	2.5	M3	
S-306MK	PC/N66	ø5.7	6.0	1.2		
S-308	PC/N66	ø5.7	8.0	2.5		
S-310	PC/N66	ø5.7	10.0	2.5		
S-312	PC/N66	ø5.7	12.1	2.5		
S-315	PC/N66	ø5.7	15.1	2.5		

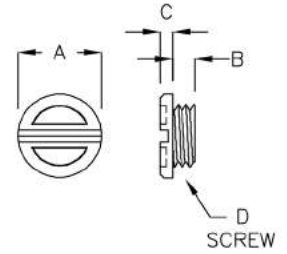
PART NO	MATERIAL	A	B	C	D	PACKAGE	
S-406	PC/N66	ø7.4	6.3	2.7	M4	1000	
S-408	PC/N66	ø7.4	8.0	2.8			
S-410	PC/N66	ø7.5	10.2	2.6			
S-412	PC/N66	ø7.4	12.2	2.7			
S-414	PC/N66	ø7.5	14.2	2.7			
S-416	PC/N66	ø7.4	16.2	2.7			
S-420	PC/N66	ø7.4	20.0	2.8			
S-425	PPS/PC	ø7.5	25.0	2.7			
S-510	PC/N66	ø9.1	10.2	3.6			M5
S-512	PC/N66	ø9.1	12.2	3.5			
S-516	PC	ø9.1	16.1	3.5			
S-520	PC	ø9.1	20.2	3.6			
S-525	PPS/PC	ø9.1	25.0	3.5			
S-530	PPS/PC	ø9.1	30.0	3.5			
S-605	PC/N66	ø9.0	4.1	3.3	M6	2000	
S-606	PPS/PC	ø9.0	6.0	3.3			
S-608	PPS/PC	ø9.0	8.0	3.3			
S-610	PPS/PC	ø9.0	10.0	3.3			
S-612	PPS/PC	ø9.0	12.0	3.3			
S-615	PPS/PC	ø9.0	15.0	3.3			
S-618	PPS/PC	ø9.0	18.0	3.3			
S-620	PPS/PC	ø9.0	20.0	3.3			
SU2-12A	PC/N66	ø4.2	12.7	1.5	#2-56		
SU6-06	PC/N66	ø6.9	6.4	2.5	#6-32		

5-67-1



塑膠螺絲 PLASTIC SCREW

MATERIAL: NYLON 66(UL)
FLAME CLASS: 94V-2
COLOR: NATURAL
MATERIAL: PPS(UL)
FLAME CLASS: 94V-0
COLOR: BLACK
D: SCREW



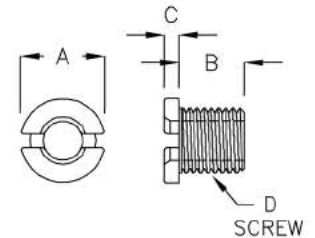
PART NO	MATERIAL	A	B	C	D	PACKAGE
S-4M2D	PPS	6.0	2.5	1.2	M4	2000
S-5M2K	PPS	7.0	2.8	1.2	M5	
S-6M02	N66	8.0	2.1	1.2	M6	
S-8M03	PPS	10.0	3.0	1.2	M8	

5-67-2



塑膠螺絲 PLASTIC SCREW

MATERIAL: NYLON 66(UL)
FLAME CLASS: 94V-2
COLOR: NATURAL
D: SCREW



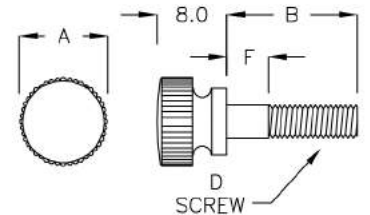
PART NO	A	B	C	D	PACKAGE
S-7M06	8.8	6.8	1.5	M7	1000

5-67-3



塑膠螺絲 PLASTIC SCREW

MATERIAL: NYLON 66(UL)
FLAME CLASS: 94V-2
COLOR: BLACK
D: SCREW



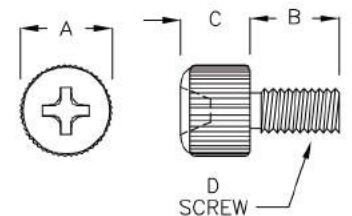
PART NO	A	B	D	F	L	PACKAGE
S-318C	ø9.0	10.0	M3	2.0	18.0	1000
S-423C	ø10.5	15.0	M4	5.0	23.0	
S-523C	ø10.5	15.0	M5	5.0	23.0	
S-626C	ø10.5	18.0	M6	5.0	26.0	

5-67-4



螺絲 SCREW

MATERIAL: ABS+PC
COLOR: GRAY
SCREW MATERIAL: ALLOY BRASS
D: SCREW

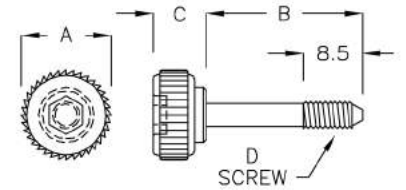


PART NO	A	B	C	D	PACKAGE
SW4-08	ø8.3	8.0	6.4	M4	500



螺絲 SCREW

MATERIAL: ABS+PC
 COLOR: GRAY
 SCREW MATERIAL: ALLOY BRASS
 D: SCREW

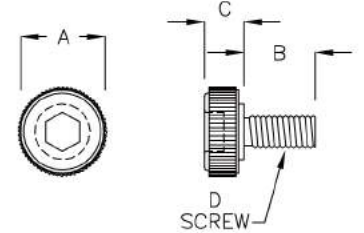


PART NO	A	B	C	D	PACKAGE
SW4-29	∅13.0	21.3	7.7	M4	500
SW4-31	∅13.0	24.0	7.7	M4	



螺絲 SCREW

MATERIAL: ABS+PC
 COLOR: GRAY
 SCREW MATERIAL: ALLOY BRASS
 D: SCREW

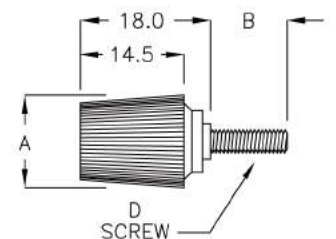


PART NO	A	B	C	D	PACKAGE
SW5-16	∅12.8	10.3	5.7	M5	500
UN-610	∅12.8	9.0	5.7	#6-32	



螺絲 SCREW

MATERIAL: NYLON 66(UL)
 FLAME CLASS: 94V-2
 COLOR: GRAY
 SCREW MATERIAL: IRON
 D: SCREW

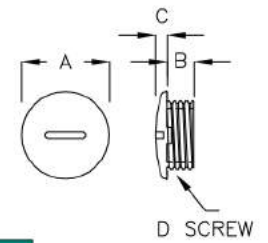


PART NO	A	B	D	PACKAGE
SCR3-27	∅11.6	9.5	M3	200



螺旋塞環 SCREW PLUG

MATERIAL: NYLON 66(UL)
FLAME CLASS: 94V-2
COLOR: BLACK
D: SCREW

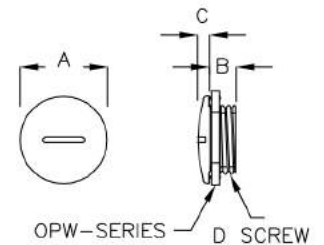


PART NO	A	B	C	D SCREW	PACKAGE
SM-UNEF58-N2B	φ23.5	8.0	3.5	5/8"-24UNEF	200
SM-PF12-N2B	φ26.3	8.1	3.5	PF1/2"	
SM-M8-N2B	φ12.0	8.5	2.4	M8	1000
SM-M10-N2B	φ14.0	8.5	2.4	M10	
SM-M12-N2B	φ16.15	8.5	3.35	M12	
SM-M16-N2B	φ20.2	8.0	3.45	M16	200
SM-M20-N2B	φ25.5	7.95	3.6	M20	
SM-M20A-N2B	φ25.5	6.0	3.6	M20	
SM-M25-N2B	φ30.3	8.45	3.55	M25	



防水螺旋塞環 WATERPROOF PLUG

MATERIAL: NYLON 66(UL)
FLAME CLASS: 94V-2
COLOR: BLACK
D: SCREW
WATERPROOF PROVE: IP67



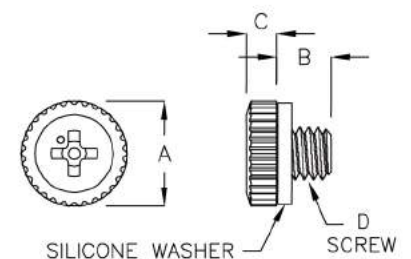
PART NO	A	B	C	D SCREW	ASSEMBLE WITH P.G. PART	PACKAGE
SM-UNEF58-JTB-X	φ23.5	8.0	3.5	5/8"-24UNEF	WSR-22AP-X8B	200
SM-PF12-HHB-X	φ26.3	8.1	3.5	PF1/2"	OPW-20-HSB	
SM-M8-HHB-X	φ12.0	8.5	2.4	M8	OPW-7A-SFB	1000
SM-M10-HHB-X	φ14.0	8.5	2.4	M10	OPW-9CD-SFB	
SM-M12-JTB-X	φ16.15	8.5	3.35	M12	WSR-11RM-X8B	
SM-M16-HHB-X	φ20.2	8.0	3.45	M16	OPW-15D-HSB	200
SM-M20-HHB-X	φ25.5	7.95	3.6	M20	OPW-19M-HSB	
SM-M20A-HHB-X	φ25.5	6.0	3.6	M20	OPW-19M-HSB	
SM-M25-HHB-X	φ30.3	8.45	3.55	M25	OPW-24A-HSB	

ASSEMBLE WITH P.G. PART OPW-SERIES (Page 8-32-2, 8-32-4)



塑膠螺絲 PLASTIC SCREW

MATERIAL: NYLON 66(UL)
FLAME CLASS: 94V-0
COLOR: NATURAL
D: SCREW

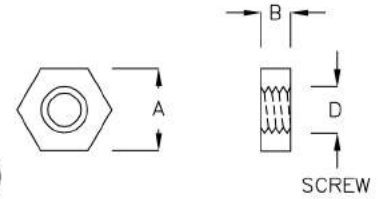


PART NO	A	B	C	D	PACKAGE
★ S-608W-43-X	φ11.5	5.9	3.3	M6	1000

塑膠螺帽 PLASTIC NUT



MATERIAL: PC(UL)
 FLAME CLASS: 94V-2
 COLOR: NATURAL
 D: SCREW
 S-12M MATERIAL: NYLON 66(UL)
 FLAME CLASS: 94V-2
 COLOR: NATURAL, BLACK

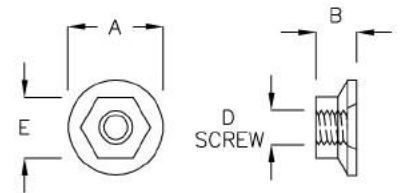


PART NO	A	B	D	MATERIAL	COLOR	PACKAGE
S-2M	5.0	2.4	M2.6	PC	NATURAL	1000
S-2MD	4.9	1.9	M2.6	PC	NATURAL	
S-3M	5.5	2.5	M3	PC	NATURAL	
S-4M	8.0	3.3	M4	PC	NATURAL	
S-5M	8.0	4.4	M5	PC	NATURAL	
S-7M	10.2	3.95	M7x0.75	N66	NATURAL	
S-12M	18.0	5.1	M12x1.5	N66	BLACK	
UN4-40AN	4.75	2.54	#4-40	N66	NATURAL	
UN4-40DK	6.35	2.54	#4-40	N66	NATURAL	
UN6-32	6.1	2.5	#6-32	PC	NATURAL	
UN6-32BP	6.35	3.05	#6-32	N66	NATURAL	
UN6-32RT	7.75	3.05	#6-32	N66	NATURAL	

塑膠螺帽 PLASTIC NUT



MATERIAL: NYLON 66(UL)
 FLAME CLASS: 94V-2
 COLOR: NATURAL
 D: SCREW

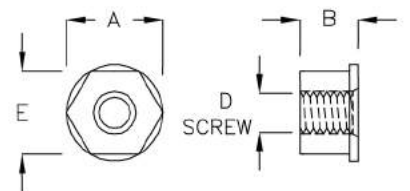


PART NO	A	B	D	E	PACKAGE
S-3MF	ø8.5	3.2	M3	5.4	1000
S-4MF	ø10.0	4.0	M4	6.9	
S-5MF	ø11.0	5.0	M5	7.9	

塑膠螺帽 PLASTIC NUT



MATERIAL: PC(UL)
 FLAME CLASS: 94V-2
 COLOR: CLEAR
 D: SCREW



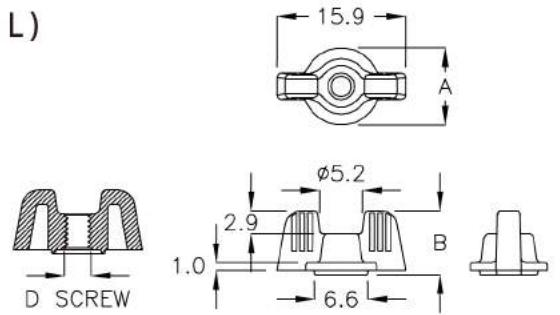
PART NO	A	B	D	E	PACKAGE
UN10-24	ø10.55	6.35	#10-24	9.15	1000

塑膠螺帽 PLASTIC NUT



MATERIAL: NYLON 66(UL)
 FLAME CLASS: 94V-2
 COLOR: NATURAL
 D: SCREW

NEW



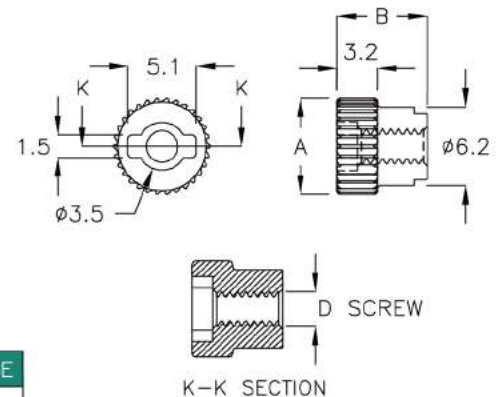
	PART NO	A	B	D	PACKAGE
★	SMA4-40C	ø9.55	7.9	#4-40	1000
★	SMA6-32F	ø9.55	7.9	#6-32	

塑膠螺帽 PLASTIC NUT



MATERIAL: NYLON 66(UL)
 FLAME CLASS: 94V-2
 COLOR: NATURAL
 D: SCREW

NEW



	PART NO	A	B	D	PACKAGE
★	SMC4-40D	ø7.6	7.1	#4-40	1000

6



線材隔離
SADDLES



線材固定
CABLE CLAMPS

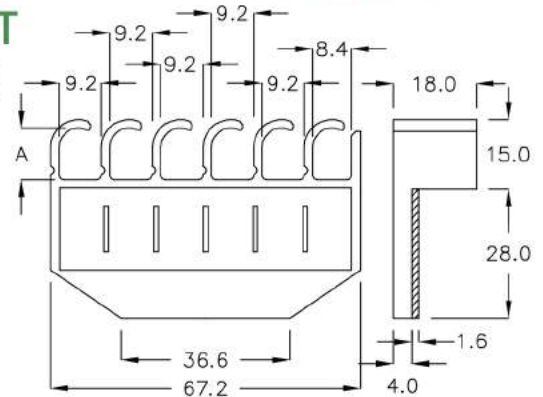
6-2-1



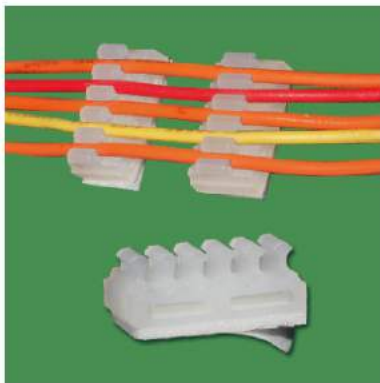
電線固定板 WIRE MOUNT

MATERIAL: NYLON 66(UL)
 FLAME CLASS: 94V-2
 COLOR: NATURAL
 ADHESIVE TAPE: 3M

PART NO	A	PACKAGE
6FW-10	11.0	50



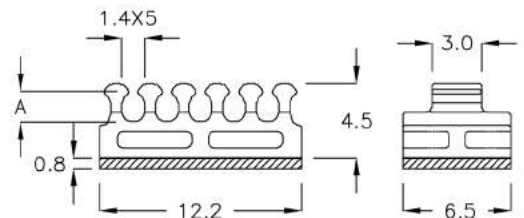
6-2-2



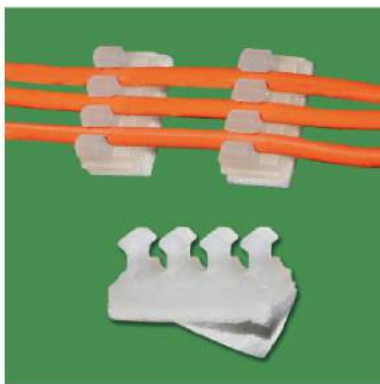
電線固定板 WIRE MOUNT

MATERIAL: NYLON 66(UL)
 FLAME CLASS: 94V-2
 COLOR: NATURAL
 ADHESIVE TAPE: 3M

PART NO	A	PACKAGE
CMX-12A	1.8	2000



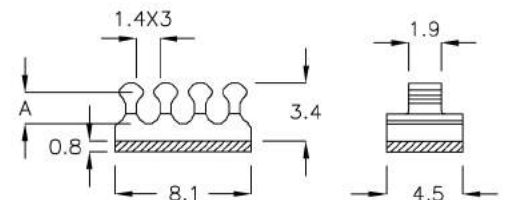
6-2-3



電線固定座 WIRE MOUNT

MATERIAL: NYLON 66(UL)
 FLAME CLASS: 94V-2
 COLOR: NATURAL
 ADHESIVE TAPE: 3M

PART NO	A	PACKAGE
CMR-8D	1.8	2000



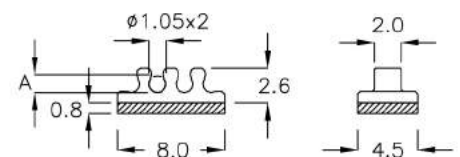
6-2-4

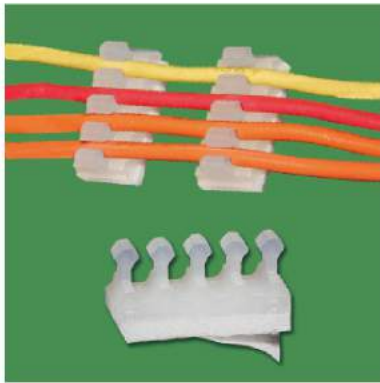


電線固定座 WIRE MOUNT

MATERIAL: NYLON 66(UL)
 FLAME CLASS: 94V-2
 COLOR: BLACK
 ADHESIVE TAPE: 3M

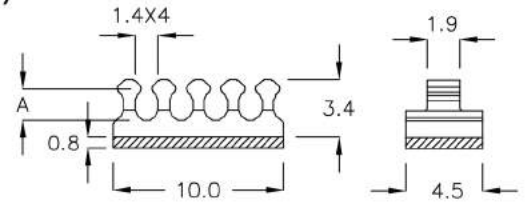
PART NO	A	PACKAGE
CMR-8AT	1.15	2000





電線固定座 WIRE MOUNT

MATERIAL: NYLON 66(UL)
 FLAME CLASS: 94V-2
 COLOR: NATURAL
 ADHESIVE TAPE: 3M

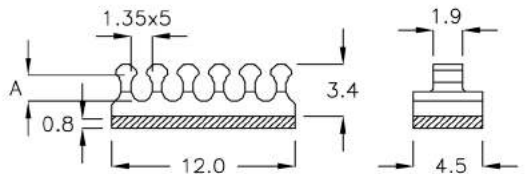


PART NO	A	PACKAGE
CMR-10FK	1.8	2000



電線固定座 WIRE MOUNT

MATERIAL: NYLON 66(UL)
 FLAME CLASS: 94V-2
 COLOR: NATURAL
 ADHESIVE TAPE: 3M

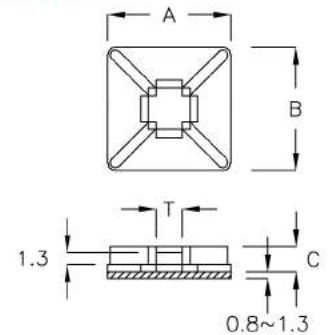


PART NO	A	PACKAGE
CMR-12QW	1.8	2000



束線固定板 ADHESIVE BACKED MOUNT

MATERIAL: NYLON 66(UL)
 FLAME CLASS: 94V-2
 COLOR: NATURAL
 ADHESIVE TAPE: 3M

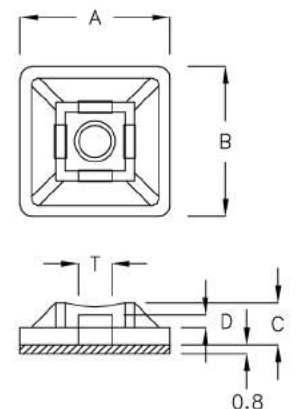


PART NO	A	B	C	T	PACKAGE
AB-2	19.0	19.0	3.9	3.4	500
AB-2S	13.0	13.0	3.9	2.8	1000



束線固定板 ADHESIVE BACKED MOUNT

MATERIAL: NYLON 66(UL)
 FLAME CLASS: 94V-2
 COLOR: NATURAL
 ADHESIVE TAPE: 3M
 ALSO CAN BE FASTENED
 WITH M3 SCREW



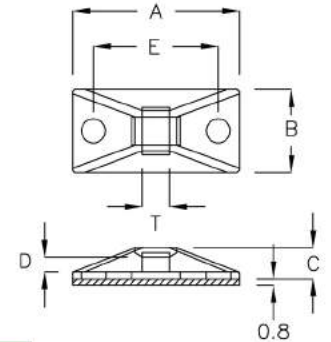
PART NO	A	B	C	D	T	PACKAGE
AB-3S	20.0	20.0	5.5	1.6	4.4	500
AB-3	28.3	28.3	5.9	1.8	5.0	200

6-4-1



束線固定板 ADHESIVE BACKED MOUNT

MATERIAL: NYLON 66(UL)
 FLAME CLASS: 94V-2
 COLOR: NATURAL
 ADHESIVE TAPE: 3M
 ALSO CAN BE FASTENED
 WITH SCREW "F"



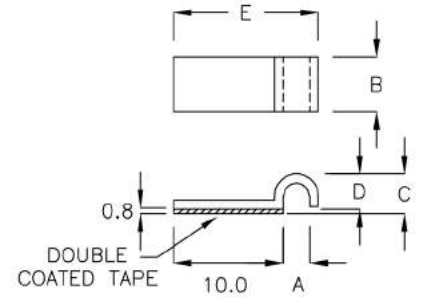
PART NO	A	B	C	D	E	F WITH SCREW	T	PACKAGE
AB-3P	24.0	12.0	4.5	1.95	18.0	M3	4.0	500
AB-3R	15.0	9.0	4.5	1.95	10.5	M2	3.8	

6-4-2



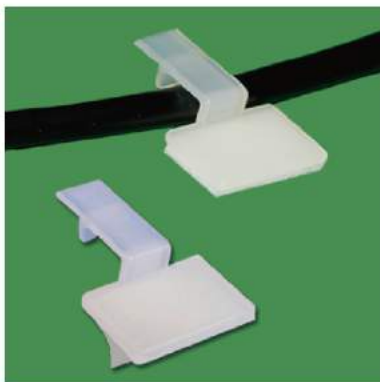
壓線座 WIRE CLAMP

MATERIAL: NYLON 66(UL)
 FLAME CLASS: 94V-2
 COLOR: NATURAL
 ADHESIVE TAPE: 3M



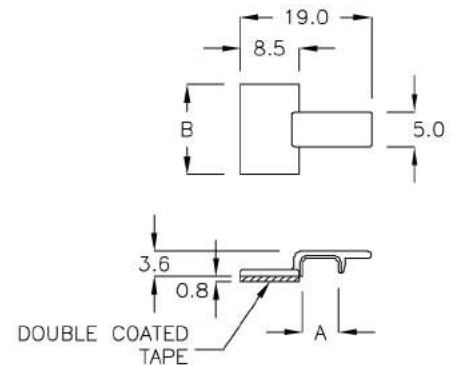
PART NO	A	B	C	D	E	PACKAGE
FS-05	2.4	5.0	4.1	3.2	13.2	2000
FS-12PT	1.5	5.0	3.2	2.4	12.3	

6-4-3



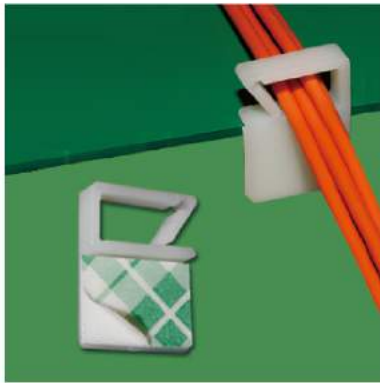
壓線座 WIRE CLAMP

MATERIAL: NYLON 66(UL)
 FLAME CLASS: 94V-2
 COLOR: NATURAL
 ADHESIVE TAPE: 3M



PART NO	A	B	PACKAGE
FCP-05	5.2	13.0	500

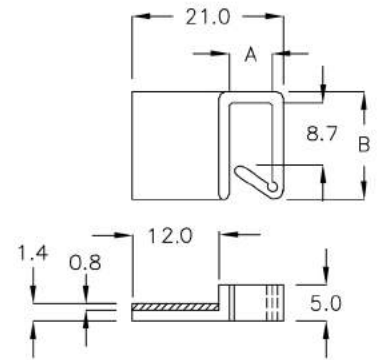
6-5-1



隔離束線座 WIRE SADDLE

MATERIAL: NYLON 66(UL)
 FLAME CLASS: 94V-2
 COLOR: NATURAL
 ADHESIVE TAPE: 3M

PART NO	A	B	PACKAGE
AB-5	6.0	15.0	500



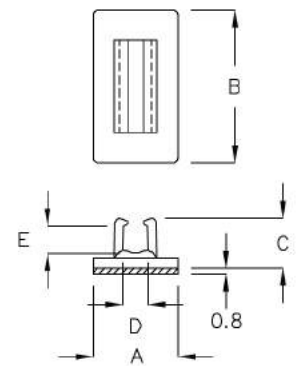
6-5-2



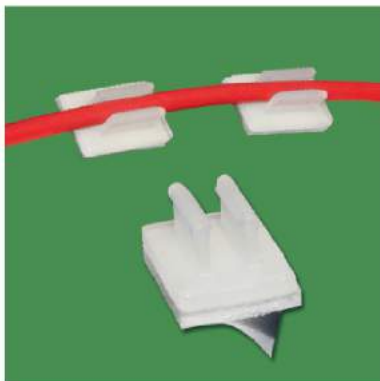
隔離束線座 WIRE SADDLE

MATERIAL: NYLON 66(UL)
 FLAME CLASS: 94V-2
 COLOR: NATURAL
 ADHESIVE TAPE: 3M

PART NO	A	B	C	D	E	PACKAGE
FU-10AK	8.5	10.0	5.0	2.0	2.2	2000
FU-10DF	8.5	10.0	5.8	3.0	3.2	
FU-15A	8.5	15.2	5.0	2.5	2.7	



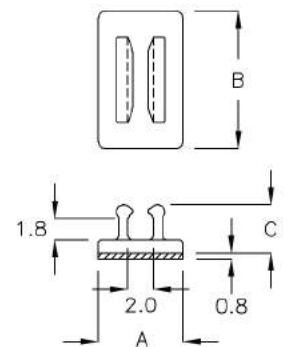
6-5-3



隔離束線座 WIRE SADDLE

MATERIAL: NYLON 66(UL)
 FLAME CLASS: 94V-2
 COLOR: NATURAL
 ADHESIVE TAPE: 3M

PART NO	A	B	C	PACKAGE
FUS-10C	6.5	10.5	3.7	2000



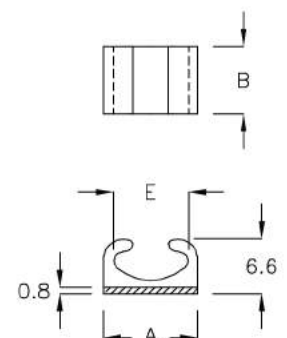
6-5-4



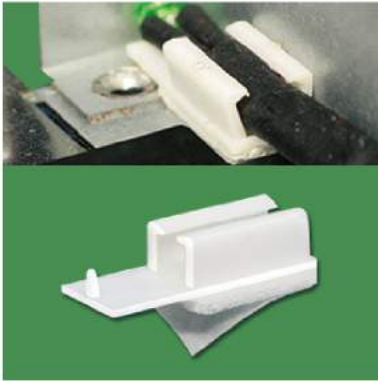
電線固定座 WIRE MOUNT

MATERIAL: NYLON 66(UL)
 FLAME CLASS: 94V-2
 COLOR: NATURAL
 ADHESIVE TAPE: 3M

PART NO	A	B	E	PACKAGE
FUM-12	11.25	8.0	9.0	2000
FUM-12FD	13.1	8.0	10.45	



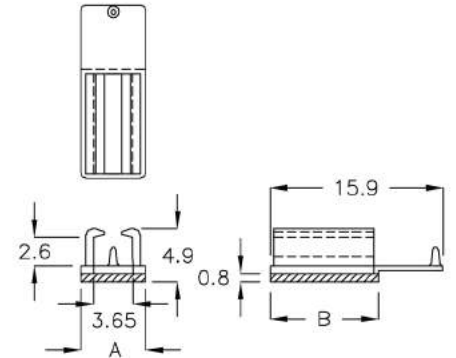
6-6-1



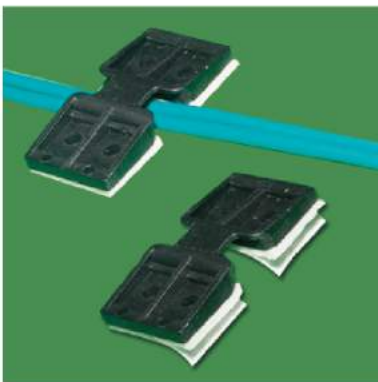
隔離束線座 WIRE SADDLE

MATERIAL: NYLON 66(UL)
 FLAME CLASS: 94V-2
 COLOR: NATURAL
 ADHESIVE TAPE: 3M

PART NO	A	B	PACKAGE
FUA-16	6.0	10.0	2000



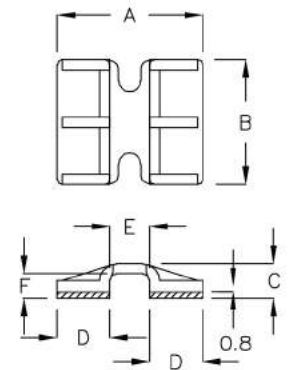
6-6-2



電線固定座 WIRE MOUNT

MATERIAL: NYLON 66(UL)
 FLAME CLASS: 94V-2
 COLOR: BLACK
 ADHESIVE TAPE: 3M

PART NO	A	B	C	D	E	F	PACKAGE
FWF-1A	14.0	12.0	3.5	5.1	3.8	2.6	1000
FWF-1C	24.0	12.0	3.6	9.6	4.8	2.6	500
FWF-1D	20.0	12.0	3.6	7.6	4.8	2.6	
FWF-1M	24.0	12.0	3.8	9.4	5.2	2.8	



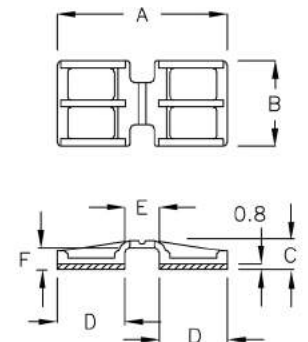
6-6-3



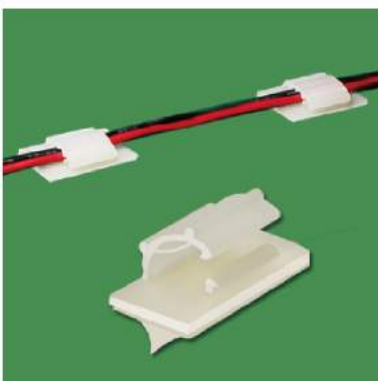
電線固定座 WIRE MOUNT

MATERIAL: NYLON 66(UL)
 FLAME CLASS: 94V-2
 COLOR: BLACK
 ADHESIVE TAPE: 3M

PART NO	A	B	C	D	E	F	PACKAGE
FWF-1F	24.0	12.0	3.6	9.6	4.8	2.6	500
FWF-1N	24.0	12.0	4.1	9.6	4.8	3.1	
FWF-1P	24.0	12.0	4.1	9.4	5.2	3.1	



6-6-4

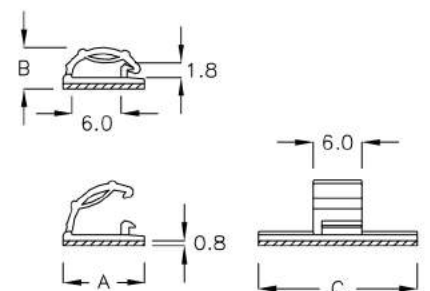


電線固定座 WIRE MOUNT

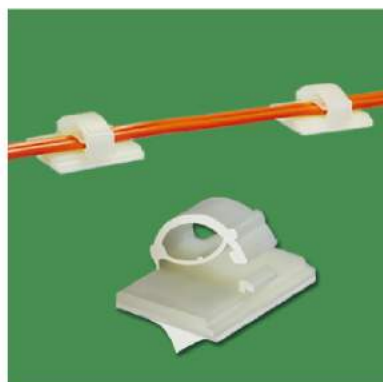
MATERIAL: NYLON 66(UL)
 FLAME CLASS: 94V-2
 COLOR: NATURAL
 ADHESIVE TAPE: 3M

WITH LOCK FEATURE

PART NO	A	B	C	PACKAGE
CHW-1C	10.0	5.5	19.5	500



6-7-1

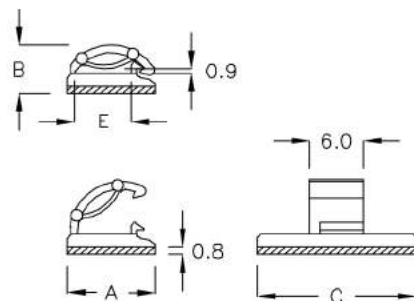


電線固定座 WIRE MOUNT

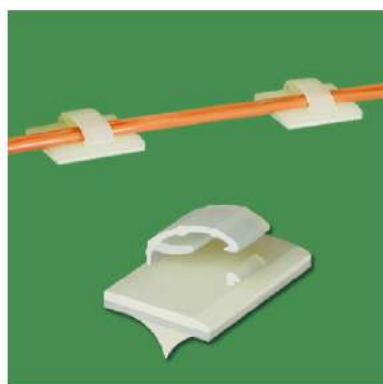
MATERIAL: NYLON 66(UL)
FLAME CLASS: 94V-2
COLOR: NATURAL
ADHESIVE TAPE: 3M

WITH LOCK FEATURE

PART NO	A	B	C	E	PACKAGE
CHW-01	10.0	5.8	19.5	6.0	500
CHW-2M	14.1	8.4	19.6	10.35	
CHW-04	10.0	5.8	12.0	6.0	
CHW-05	10.0	5.8	18.8	6.3	
CHW-07	10.0	5.8	19.5	6.1	



6-7-2

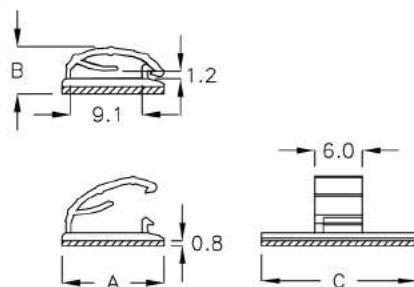


電線固定座 WIRE MOUNT

MATERIAL: NYLON 66(UL)
FLAME CLASS: 94V-2
COLOR: NATURAL
ADHESIVE TAPE: 3M

WITH LOCK FEATURE

PART NO	A	B	C	PACKAGE
CHW-2K	13.0	6.3	20.0	500



6-7-3

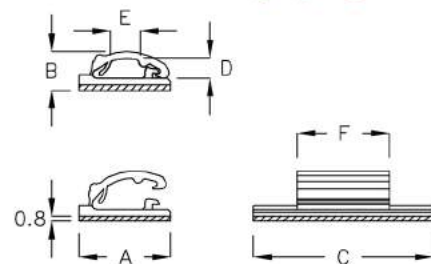


電線固定座 WIRE MOUNT

MATERIAL: NYLON 66(UL)
FLAME CLASS: 94V-2
COLOR: NATURAL
ADHESIVE TAPE: 3M

WITH LOCK FEATURE

PART NO	A	B	C	D	E	F	PACKAGE
CHW-2Q	10.0	4.7	19.5	2.2	3.3	10.0	500



6-7-4

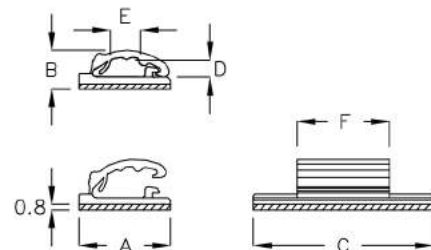


電線固定座 WIRE MOUNT

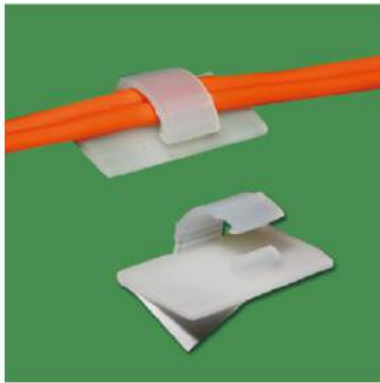
MATERIAL: NYLON 66(UL)
FLAME CLASS: 94V-2
COLOR: NATURAL
ADHESIVE TAPE: 3M

WITH LOCK FEATURE

PART NO	A	B	C	D	E	F	PACKAGE
CHW-2AC	10.0	4.7	19.5	1.8	3.3	10.0	500



6-8-1

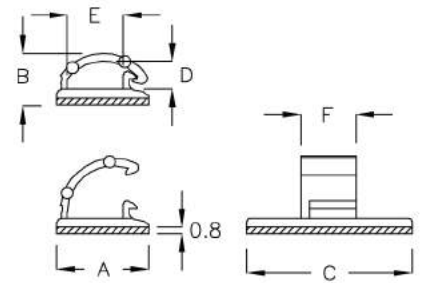


電線固定座 WIRE MOUNT

MATERIAL: NYLON 66(UL)
 FLAME CLASS: 94V-2
 COLOR: NATURAL
 ADHESIVE TAPE: 3M

WITH LOCK FEATURE

PART NO	A	B	C	D	E	F	PACKAGE
CHW-1A	10.0	6.1	19.5	3.0	6.0	6.0	500
CHW-1J	8.5	4.7	12.0	1.8	3.5	7.0	1000
CHW-2C	10.0	6.3	20.0	3.0	5.9	11.0	500
CHW-3R	10.0	7.9	30.0	4.3	5.4	20.0	



6-8-2

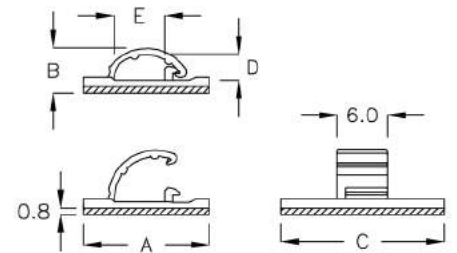


電線固定座 WIRE MOUNT

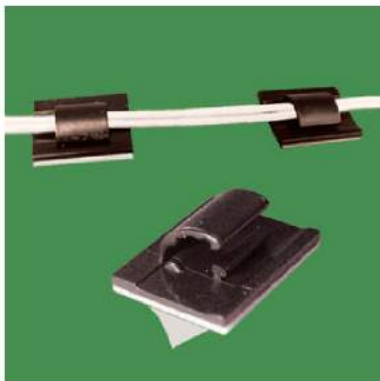
MATERIAL: NYLON 66(UL)
 FLAME CLASS: 94V-2
 COLOR: BLACK
 ADHESIVE TAPE: 3M

WITH LOCK FEATURE

PART NO	A	B	C	D	E	PACKAGE
CHW-1D	15.0	5.4	19.5	3.0	6.0	500
CHW-1H	15.0	5.3	19.5	2.5	6.0	



6-8-3

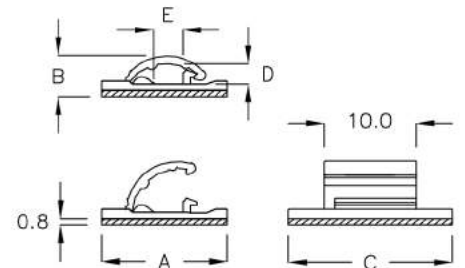


電線固定座 WIRE MOUNT

MATERIAL: NYLON 66(UL)
 FLAME CLASS: 94V-2
 COLOR: BLACK
 ADHESIVE TAPE: 3M

WITH LOCK FEATURE

PART NO	A	B	C	D	E	PACKAGE
CHW-1F	15.0	5.4	19.5	2.5	3.4	500



6-8-4

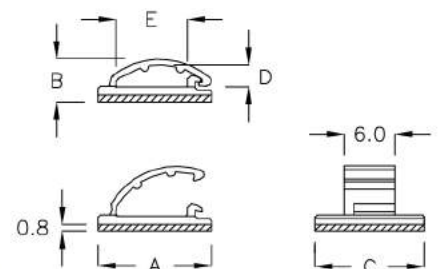


電線固定座 WIRE MOUNT

MATERIAL: NYLON 66(UL)
 FLAME CLASS: 94V-2
 COLOR: BLACK
 ADHESIVE TAPE: 3M

WITH LOCK FEATURE

PART NO	A	B	C	D	E	PACKAGE
CHW-4NJ	13.5	5.1	13.0	2.6	8.5	500



6-9-1

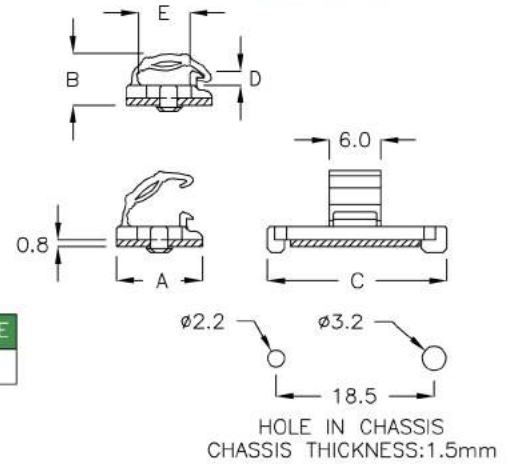


電線固定座 WIRE MOUNT

MATERIAL: NYLON 66(UL)
FLAME CLASS: 94V-2
COLOR: NATURAL
ADHESIVE TAPE: 3M

WITH LOCK FEATURE

PART NO	A	B	C	D	E	PACKAGE
CZQ-1SK	10.0	6.1	21.0	1.7	6.0	500



6-9-2

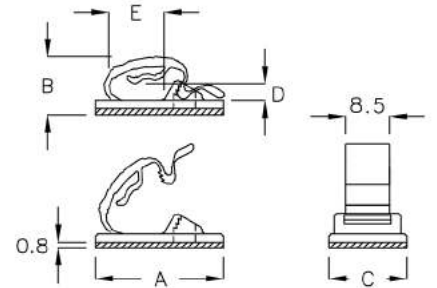


電線固定座 WIRE MOUNT

MATERIAL: NYLON 66(UL)
FLAME CLASS: 94V-2
COLOR: NATURAL
ADHESIVE TAPE: 3M

WITH LOCK FEATURE

PART NO	A	B	C	D	E	PACKAGE
CZJ-20K	20.5	10.1	12.5	2.7	8.8	500



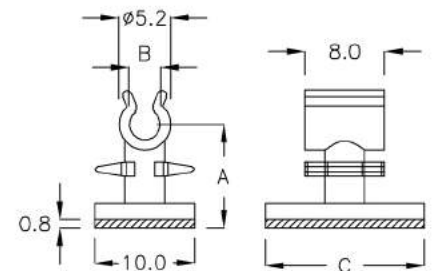
6-9-3



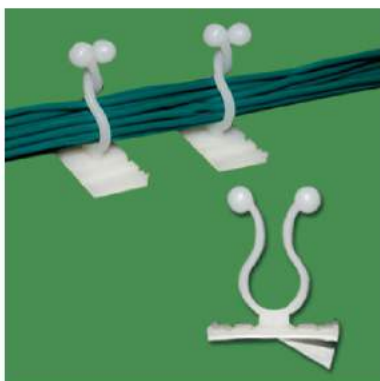
電線固定座 WIRE MOUNT

MATERIAL: NYLON 66(UL)
FLAME CLASS: 94V-2
COLOR: NATURAL
ADHESIVE TAPE: 3M

PART NO	A	B	C	PACKAGE
FGH-01	10.3	CLOSE DIA	15.9	500



6-9-4

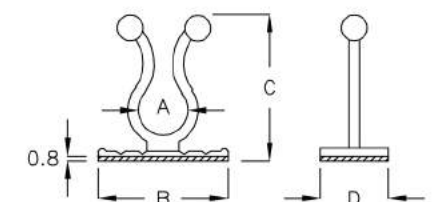


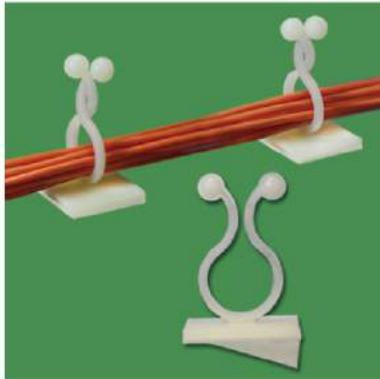
電線固定座 MOUNTING PURSE LOCK

MATERIAL: NYLON 66(UL)
FLAME CLASS: 94V-2
COLOR: NATURAL
ADHESIVE TAPE: 3M
SUIT FOR: ARCUATE SURFACE

WITH LOCK FEATURE

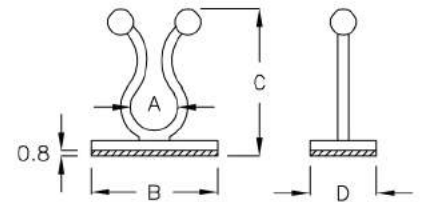
PART NO	A	B	C	D	CLOSE DIA	PACKAGE
AB-8C	9.5	25.0	28.3	13.0	8.2	500





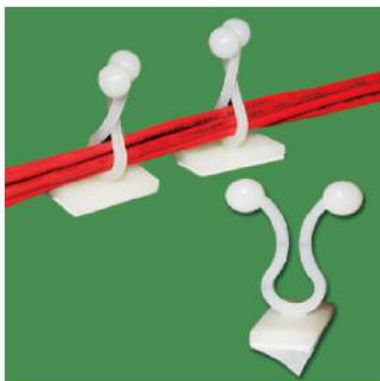
電線固定座 MOUNTING PURSE LOCK

MATERIAL: NYLON 66(UL)
FLAME CLASS: 94V-2
COLOR: NATURAL
ADHESIVE TAPE: 3M



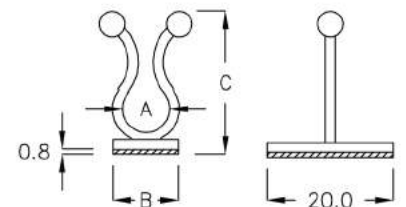
WITH LOCK FEATURE

PART NO	A	B	C	D	CLOSE DIA	PACKAGE
AB-3DT	4.0	18.0	18.0	14.0	∅3.0	500
AB-04C	4.9	20.0	25.2	13.0	∅4.0	
AB-04D	4.9	14.5	21.1	15.5	∅4.0	
AB-05C	6.0	20.0	24.7	13.0	∅5.0	
AB-7	8.7	20.0	22.7	13.0	∅7.0	
AB-07C	8.7	15.5	23.0	16.0	∅7.0	
AB-8	9.5	24.8	27.9	13.0	∅8.2	
AB-08D	9.5	15.5	25.4	20.0	∅8.2	
AB-8FA	9.5	20.0	27.0	14.0	∅8.5	
AB-10	10.8	21.0	31.3	19.0	∅10.0	
AB-10D	10.8	18.5	27.3	21.0	∅10.0	
AB-12A	14.0	22.0	35.3	13.0	∅12.5	
AB-13	14.8	22.0	35.5	13.0	∅13.0	
AB-13A	14.8	25.0	35.5	20.0	∅13.3	
AB-16	17.8	25.0	39.3	13.0	∅16.2	
AB-16C	17.9	25.0	39.3	18.0	∅16.0	
AB-18	20.0	25.0	39.0	18.0	∅18.0	
AB-20R	22.2	25.4	43.0	25.4	∅20.5	
AB-22	21.0	25.5	40.8	13.0	∅19.0	



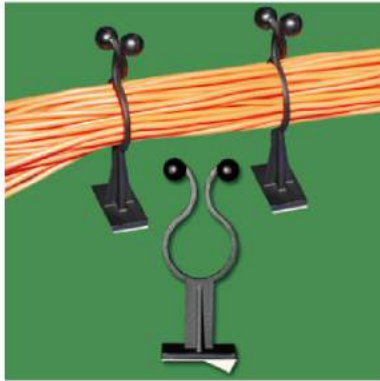
電線固定座 MOUNTING PURSE LOCK

MATERIAL: NYLON 66(UL)
FLAME CLASS: 94V-2
COLOR: NATURAL
ADHESIVE TAPE: 3M



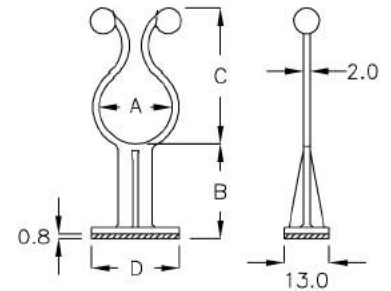
WITH LOCK FEATURE

PART NO	A	B	C	CLOSE DIA	PACKAGE
AB-4	6.7	10.0	28.6	∅5.8	500



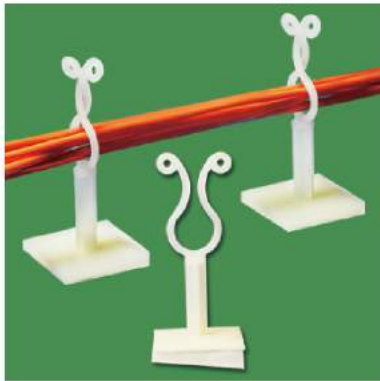
電線固定座 MOUNTING PURSE LOCK

MATERIAL: NYLON 66(UL)
 FLAME CLASS: 94V-2
 COLOR: BLACK
 ADHESIVE TAPE: 3M



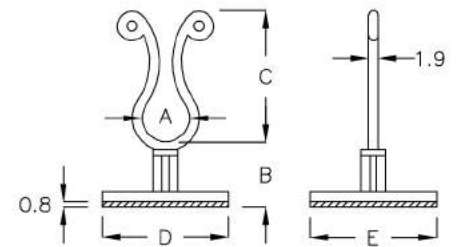
WITH LOCK FEATURE

PART NO	A	B	C	D	CLOSE DIA	PACKAGE
AB-18JK	21.0	26.8	39.1	25.2	ø18.5	200
AB-18MD	21.0	16.8	39.1	25.2	ø18.5	



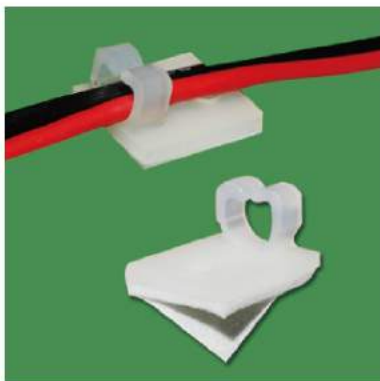
電線固定座 MOUNTING PURSE LOCK

MATERIAL: NYLON 66(UL)
 FLAME CLASS: 94V-2
 COLOR: NATURAL
 ADHESIVE TAPE: 3M



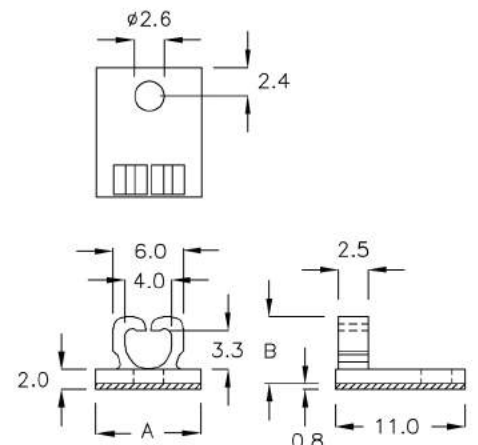
WITH LOCK FEATURE

PART NO	A	B	C	D	E	CLOSE DIA	PACKAGE
AB-8S	9.5	6.25	26.3	25.4	25.4	ø8.5	200
AB-8H	9.5	12.6	26.3	25.4	25.4	ø8.5	
AB-10A	11.6	27.3	28.0	25.4	25.4	ø10.2	
AB-11A	11.4	4.8	27.4	25.4	13.0	ø9.7	

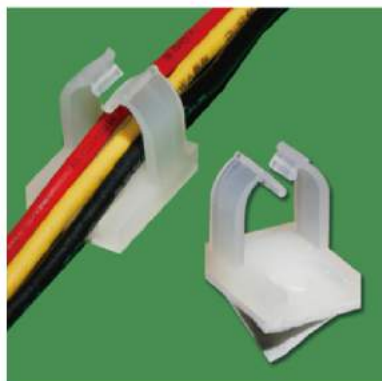


隔離束線座 WIRE SADDLE

MATERIAL: NYLON 66(UL)
 FLAME CLASS: 94V-2
 COLOR: NATURAL
 ADHESIVE TAPE: 3M
 ALSO CAN BE FASTENED WITH M2.5 SCREW

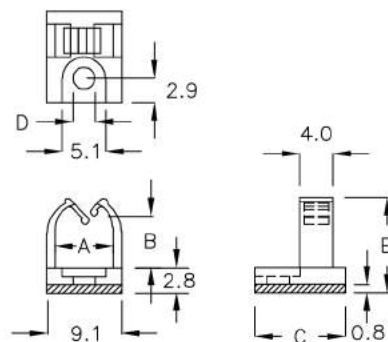


PART NO	A	B	PACKAGE
CHF-4A	9.0	5.7	1000



隔離束線座 WIRE SADDLE

MATERIAL: NYLON 66(UL)
 FLAME CLASS: 94V-2
 COLOR: NATURAL
 ADHESIVE TAPE: 3M
 ALSO CAN BE FASTENED WITH M2.5 or M3 SCREW

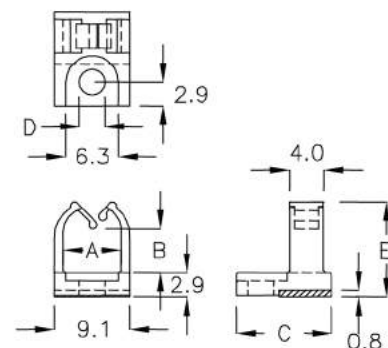


PART NO	A	B	C	D	E	USE SCREW	PACKAGE
CHF-8	6.9	6.2	11.0	∅2.7	11.2	M2.5	500
CHF-8A	6.9	6.2	11.0	∅3.1	11.2	M3	
CHF-8C	7.0	10.0	10.9	∅2.7	15.0	M2.5	



隔離束線座 WIRE SADDLE

MATERIAL: NYLON 66(UL)
 FLAME CLASS: 94V-2
 COLOR: NATURAL
 ADHESIVE TAPE: 3M
 ALSO CAN BE FASTENED WITH M3 SCREW

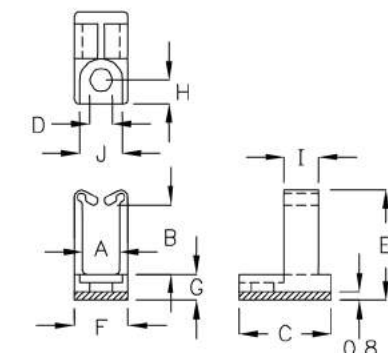


PART NO	A	B	C	D	E	PACKAGE
CHFQ-6DM	6.9	5.2	11.3	∅3.1	11.4	1000



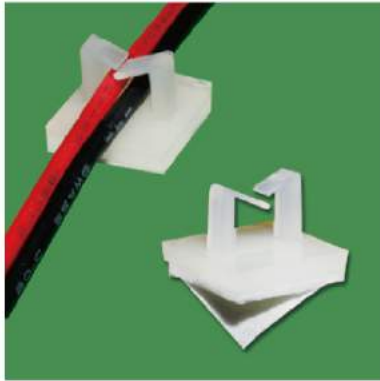
隔離束線座 WIRE SADDLE

MATERIAL: NYLON 66(UL)
 FLAME CLASS: 94V-2
 COLOR: NATURAL, BLACK
 ADHESIVE TAPE: 3M
 ALSO CAN BE FASTENED WITH M2.5 or M3 SCREW



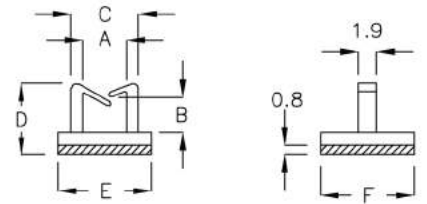
PART NO	A	B	C	D	E	F	G	H	I	J	USE SCREW	PACKAGE
CHFA-4RQ	4.7	8.3	11.0	∅2.7	13.0	6.5	2.9	2.9	4.1	5.1	M2.5	1000
CHFA-6QW	6.8	13.9	15.0	∅3.1	19.6	10.0	2.8	5.0	5.0	5.1	M3	
★CHFA-18TK	18.0	38.7	22.0	∅3.1	46.0	22.0	2.8	5.0	8.0	5.6	M3	

6-13-1



隔離束線座 WIRE SADDLE

MATERIAL: NYLON 66(UL)
 FLAME CLASS: 94V-2
 COLOR: NATURAL
 ADHESIVE TAPE: 3M



PART NO	A	B	C	D	E	F	PACKAGE
AB-20C	4.5	3.6	7.0	7.2	9.6	9.6	2000
AB-20H	4.5	3.6	6.9	7.3	8.0	8.8	

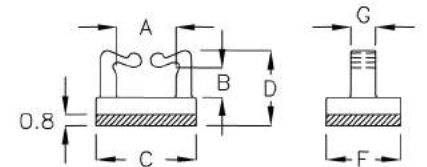
6-13-2



隔離束線座 WIRE SADDLE

MATERIAL: NYLON 66(UL)
 FLAME CLASS: 94V-2
 COLOR: BLACK
 ADHESIVE TAPE: 3M

NEW



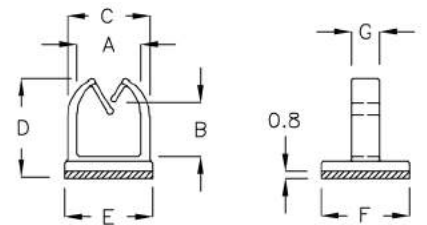
PART NO	A	B	C	D	F	G	PACKAGE
★ ABH-4K	4.5	2.2	7.6	5.65	5.6	1.9	2000

6-13-3



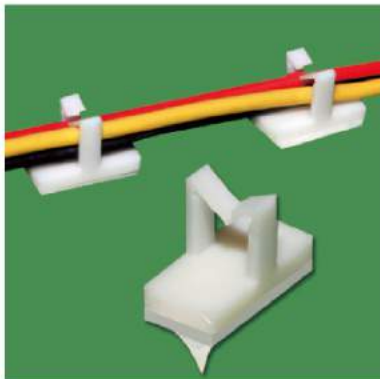
隔離束線座 WIRE SADDLE

MATERIAL: NYLON 66(UL)
 FLAME CLASS: 94V-2
 COLOR: NATURAL
 ADHESIVE TAPE: 3M



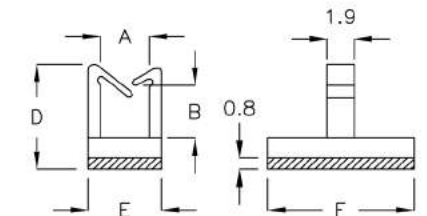
PART NO	A	B	C	D	E	F	G	PACKAGE
CAR-4A	4.5	3.6	7.0	8.25	9.4	9.4	2.0	2000
CAR-9CD	9.2	7.7	11.9	14.2	12.7	12.7	4.0	500

6-13-4



隔離束線座 WIRE SADDLE

MATERIAL: NYLON 66(UL)
 FLAME CLASS: 94V-2
 COLOR: NATURAL
 ADHESIVE TAPE: 3M



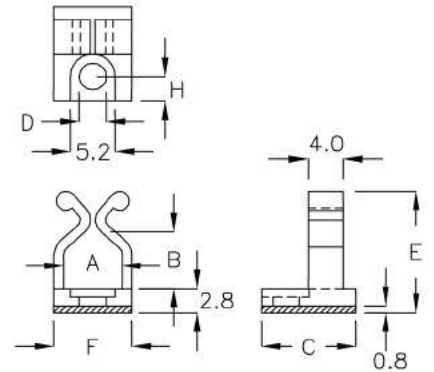
PART NO	A	B	D	E	F	PACKAGE
ABD-10P	3.4	3.6	7.2	5.0	10.0	2000

6-14-1



隔離束線座 WIRE SADDLE

MATERIAL: NYLON 66(UL)
 FLAME CLASS: 94V-2
 COLOR: BLACK, NATURAL
 ADHESIVE TAPE: 3M
 ALSO CAN BE FASTENED
 WITH M3 SCREW



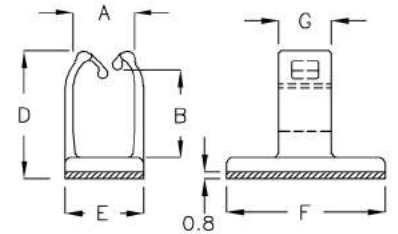
PART NO	A	B	C	D	E	F	H	PACKAGE
★ CHFD-6RM	6.8	6.3	10.9	∅3.1	14.1	9.0	2.85	1000
★ CHFD-9GD	9.0	9.0	12.7	∅3.1	18.3	12.7	3.5	

6-14-2



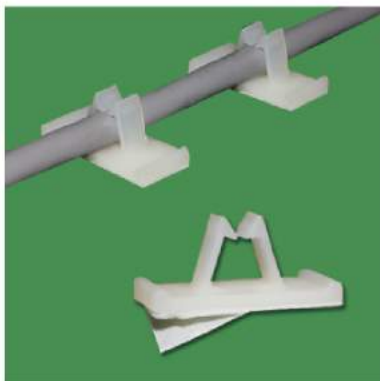
隔離束線座 WIRE SADDLE

MATERIAL: NYLON 66(UL)
 FLAME CLASS: 94V-2
 COLOR: NATURAL
 ADHESIVE TAPE: 3M



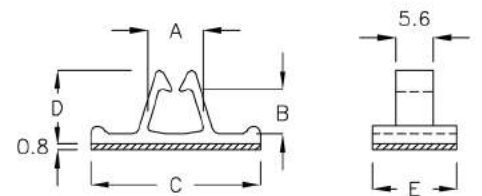
PART NO	A	B	D	E	G	F	PACKAGE
CML-7RJ	7.0	10.0	14.6	9.0	6.0	20.0	500

6-14-3



隔離束線座 WIRE SADDLE

MATERIAL: NYLON 66(UL)
 FLAME CLASS: 94V-2
 COLOR: NATURAL
 ADHESIVE TAPE: 3M



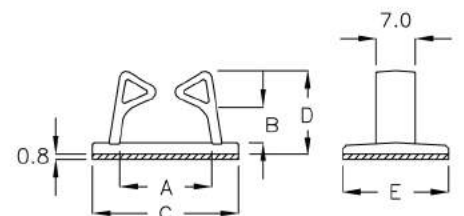
PART NO	A	B	C	D	E	PACKAGE
AB-15A	8.4	6.7	25.5	11.2	12.7	500
AB-15F	8.4	6.0	17.6	10.5	8.9	

6-14-4

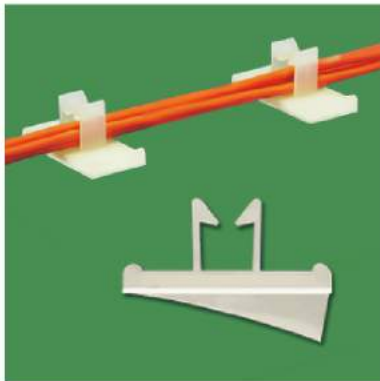


電線固定座 WIRE MOUNT

MATERIAL: NYLON 66(UL)
 FLAME CLASS: 94V-2
 COLOR: BLACK
 ADHESIVE TAPE: 3M

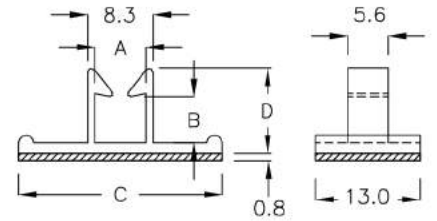


PART NO	A	B	C	D	E	PACKAGE
AB-15H	16.6	6.3	26.4	14.9	19.0	500

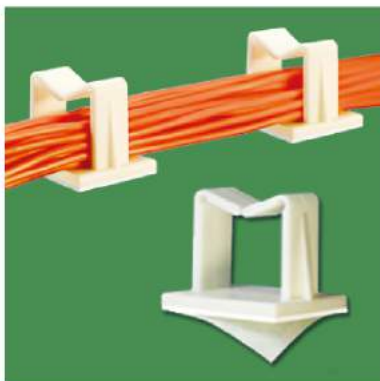


隔離束線座 WIRE SADDLE

MATERIAL: NYLON 66(UL)
FLAME CLASS: 94V-2
COLOR: NATURAL
ADHESIVE TAPE: 3M

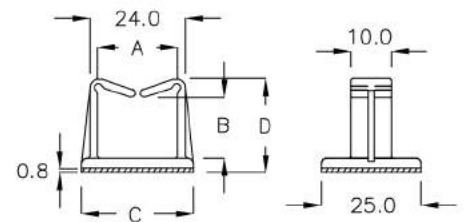


PART NO	A	B	C	D	PACKAGE
AB-15	6.4	5.8	25.5	10.7	500
AB-15C	6.4	4.5	19.0	9.5	

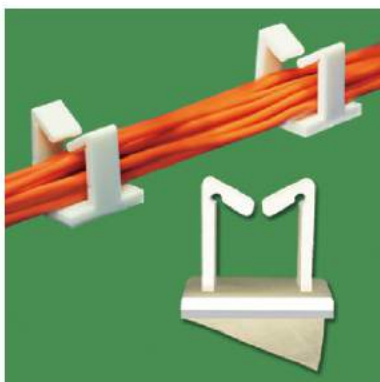


隔離束線座 WIRE SADDLE

MATERIAL: NYLON 66(UL)
FLAME CLASS: 94V-2
COLOR: NATURAL
ADHESIVE TAPE: 3M

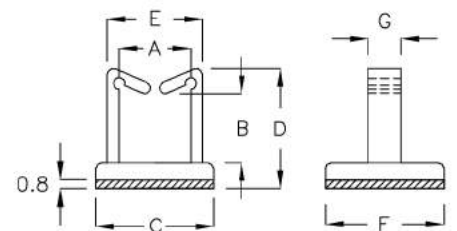


PART NO	A	B	C	D	PACKAGE
AB-20GP	20.0	15.3	28.0	23.3	200

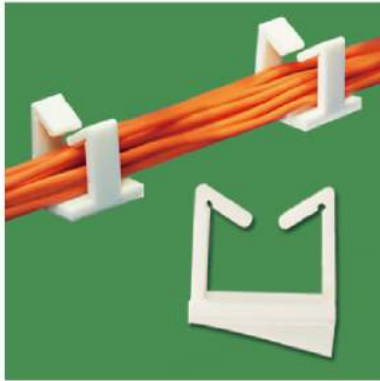


隔離束線座 WIRE SADDLE

MATERIAL: NYLON 66(UL)
FLAME CLASS: 94V-2
COLOR: NATURAL
ADHESIVE TAPE: 3M

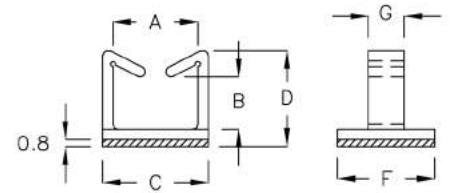


PART NO	A	B	C	D	E	F	G	PACKAGE
AB-20	11.6	10.2	21.0	17.9	15.6	19.0	5.3	500
AB-20A	11.2	8.1	21.0	16.3	15.2	19.0	5.3	
AB-20F	11.5	10.0	17.0	17.9	15.4	12.5	5.3	
AB-20K	16.6	9.8	26.4	17.9	20.6	19.0	7.0	
AB-20D	20.0	10.0	25.7	17.9	23.8	19.0	5.3	

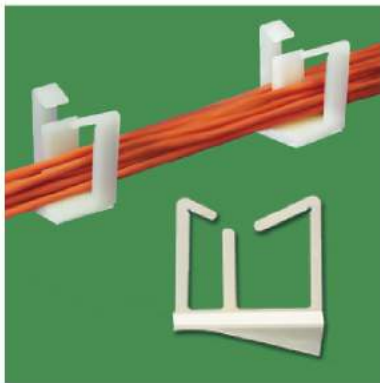


隔離束線座 WIRE SADDLE

MATERIAL: NYLON 66(UL)
 FLAME CLASS: 94V-2
 COLOR: NATURAL
 ADHESIVE TAPE: 3M

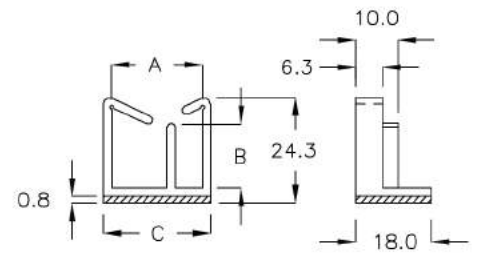


PART NO	A	B	C	D	F	G	PACKAGE
AB-11SJ	11.5	19.8	15.5	26.8	19.0	5.3	200
AB-20L	16.5	10.2	20.5	18.2	18.9	7.0	
AB-20M	6.8	14.0	10.0	20.0	20.0	5.0	500

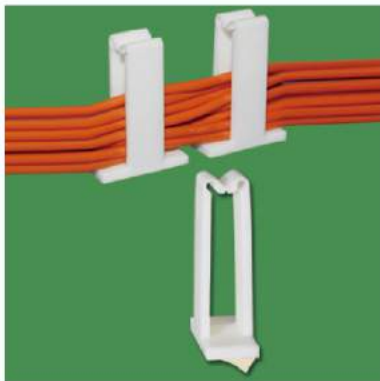


隔離束線座 WIRE SADDLE

MATERIAL: NYLON 66(UL)
 FLAME CLASS: 94V-2
 COLOR: NATURAL
 ADHESIVE TAPE: 3M

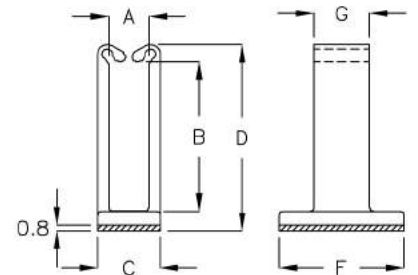


PART NO	A	B	C	PACKAGE
AB-21A	21.7	15.2	25.7	200



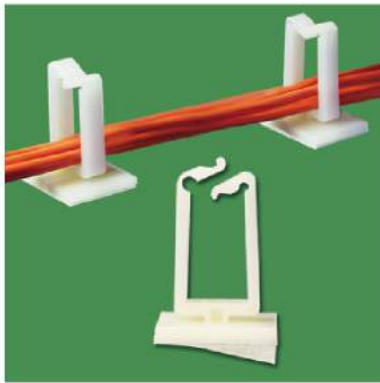
隔離束線座 WIRE SADDLE

MATERIAL: NYLON 66(UL)
 FLAME CLASS: 94V-2
 COLOR: BLACK, NATURAL
 ADHESIVE TAPE: 3M



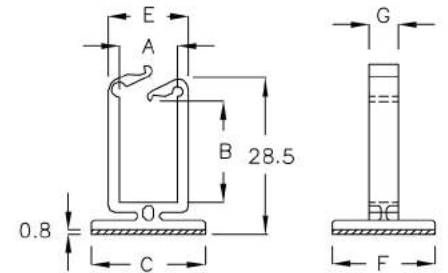
PART NO	A	B	C	D	F	G	PACKAGE
ABK-5Q	5.8	24.0	9.0	29.3	20.0	8.0	200

6-17-1



隔離束線座 WIRE SADDLE

MATERIAL: NYLON 66(UL)
 FLAME CLASS: 94V-2
 COLOR: NATURAL
 ADHESIVE TAPE: 3M



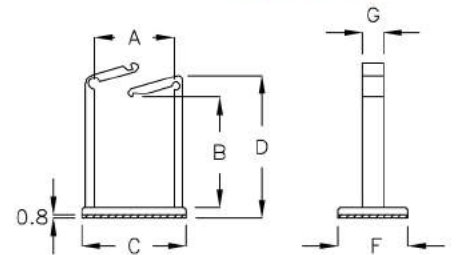
PART NO	A	B	C	E	F	G	PACKAGE
CHU-06	10.8	18.6	21.0	14.8	19.0	5.3	500

6-17-2



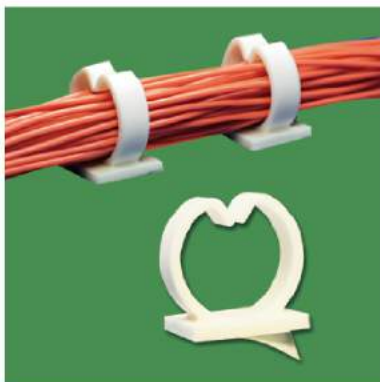
隔離束線座 WIRE SADDLE

MATERIAL: NYLON 66(UL)
 FLAME CLASS: 94V-2
 COLOR: NATURAL
 ADHESIVE TAPE: 3M



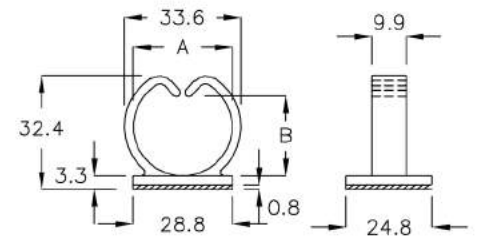
PART NO	A	B	C	D	F	G	PACKAGE
CMF-10CS	10.4	13.6	13.0	19.8	22.0	10.0	200
CMF-15A	15.1	27.7	19.5	34.0	19.5	10.0	100
CMF-17	17.0	27.8	22.0	34.0	22.0	10.0	
CMF-23	23.0	31.8	30.0	40.8	20.0	6.0	

6-17-3



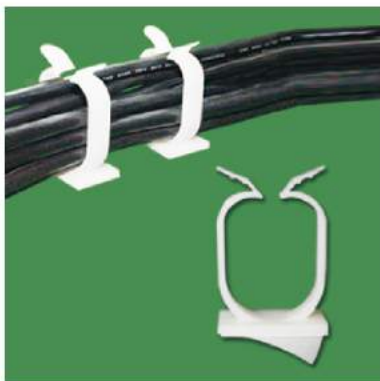
隔離束線座 WIRE SADDLE

MATERIAL: NYLON 66(UL)
 FLAME CLASS: 94V-2
 COLOR: NATURAL
 ADHESIVE TAPE: 3M



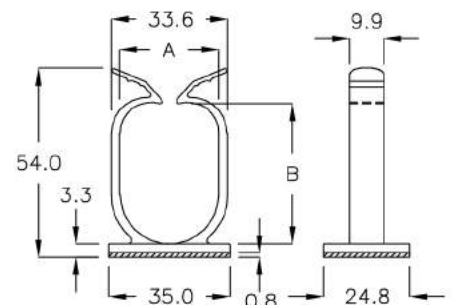
PART NO	A	B	PACKAGE
CZK-28F	28.6	22.8	200

6-17-4



隔離束線座 WIRE SADDLE

MATERIAL: NYLON 66(UL)
 FLAME CLASS: 94V-2
 COLOR: NATURAL
 ADHESIVE TAPE: 3M



PART NO	A	B	PACKAGE
CZW-28JK	28.6	40.5	100

6-18-1

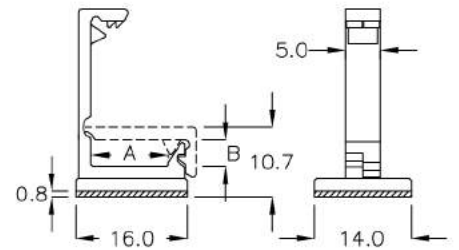


隔離束線座 WIRE SADDLE

MATERIAL: NYLON 66(UL)
FLAME CLASS: 94V-2
COLOR: BLACK
ADHESIVE TAPE: 3M

Include Lock Function

PART NO	A	B	PACKAGE
PAK11-4A	11.1	4.4	200



6-18-2

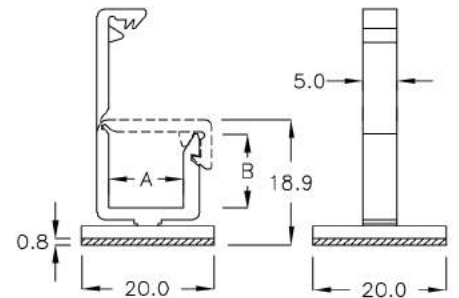


隔離束線座 WIRE SADDLE

MATERIAL: NYLON 66(UL)
FLAME CLASS: 94V-2
COLOR: NATURAL
ADHESIVE TAPE: 3M

WITH LOCK FEATURE

PART NO	A	B	PACKAGE
PAD11-11	11.1	11.4	200



6-18-3

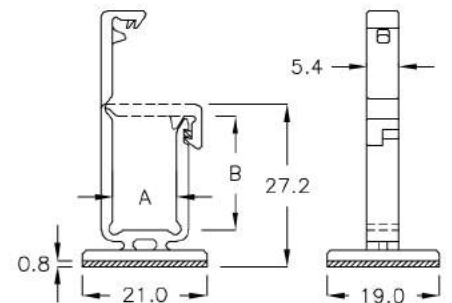


隔離束線座 WIRE SADDLE

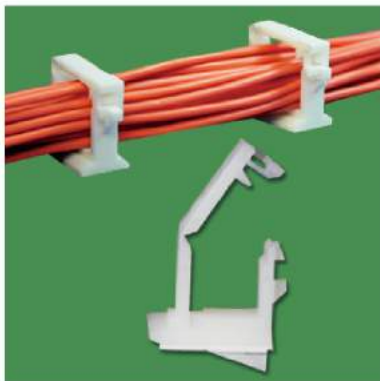
MATERIAL: NYLON 66(UL)
FLAME CLASS: 94V-2
COLOR: NATURAL
ADHESIVE TAPE: 3M

WITH LOCK FEATURE

PART NO	A	B	PACKAGE
PAD10-19	11.0	19.3	200



6-18-4

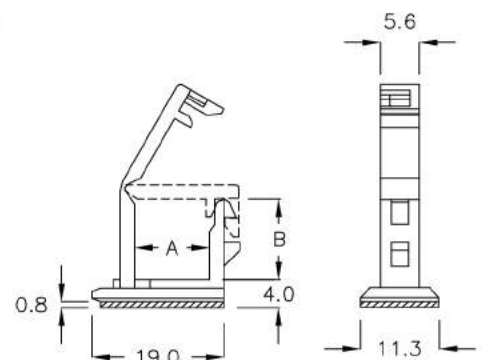


隔離束線座 WIRE SADDLE

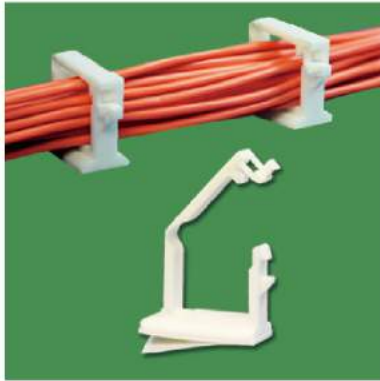
MATERIAL: NYLON 66(UL)
FLAME CLASS: 94V-2
COLOR: NATURAL
ADHESIVE TAPE: 3M

WITH LOCK FEATURE

PART NO	A	B	PACKAGE
CKM-01	10.8	12.0	200



6-19-1

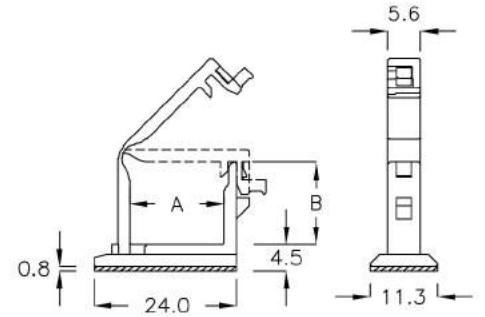


隔離束線座 WIRE SADDLE

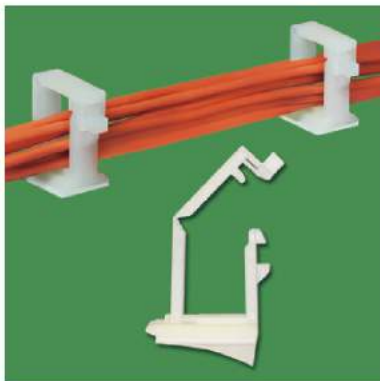
MATERIAL: NYLON 66(UL)
 FLAME CLASS: 94V-2
 COLOR: NATURAL
 ADHESIVE TAPE: 3M

WITH LOCK FEATURE

PART NO	A	B	PACKAGE
CKZ-16	16.0	14.0	200



6-19-2

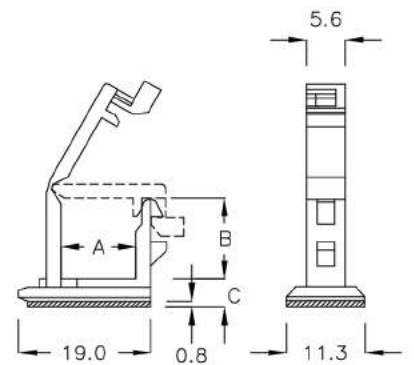


隔離束線座 WIRE SADDLE

MATERIAL: NYLON 66(UL)
 FLAME CLASS: 94V-2
 COLOR: NATURAL
 ADHESIVE TAPE: 3M

WITH LOCK FEATURE

PART NO	A	B	C	PACKAGE
CKM-02	10.5	11.5	4.0	200
CKM-03	11.1	15.0	4.0	



6-19-3

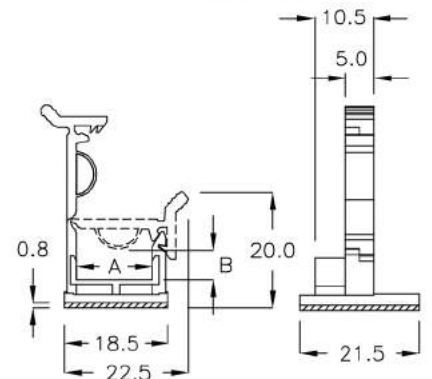


隔離束線座 WIRE SADDLE

MATERIAL: NYLON 66(UL)
 FLAME CLASS: 94V-2
 COLOR: NATURAL
 ADHESIVE TAPE: 3M

WITH LOCK FEATURE

PART NO	A	B	PACKAGE
CKW-01	13.6	5.3	200



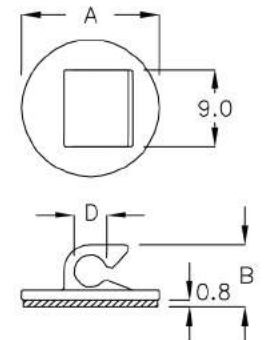
6-19-4



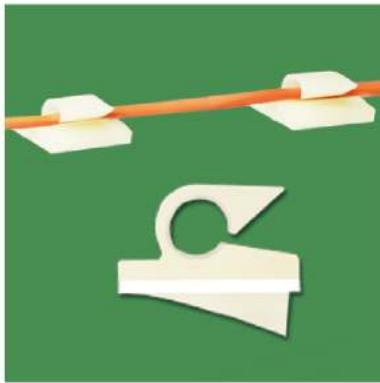
電線固定座 WIRE MOUNT

MATERIAL: NYLON 66(UL)
 FLAME CLASS: 94V-2
 COLOR: NATURAL
 ADHESIVE TAPE: 3M

PART NO	A	B	D	PACKAGE
FRAC-3K	ø16.0	7.3	ø3.8	500



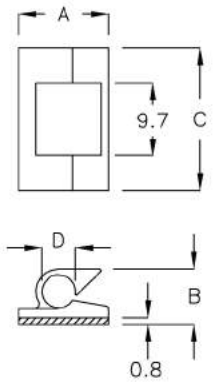
6-20-1



電線固定座 WIRE MOUNT

MATERIAL: NYLON 66(UL)
 FLAME CLASS: 94V-2
 CABLE DIAMETER: $\Phi 4 \sim \Phi 5$
 COLOR: NATURAL
 ADHESIVE TAPE: 3M

PART NO	A	B	C	D	PACKAGE
FW-1P	12.0	7.3	19.0	$\phi 4.5$	500



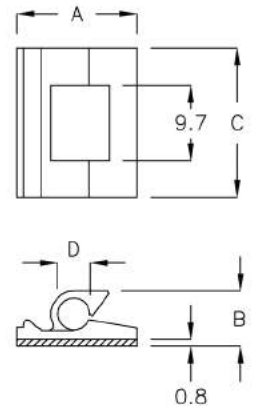
6-20-2



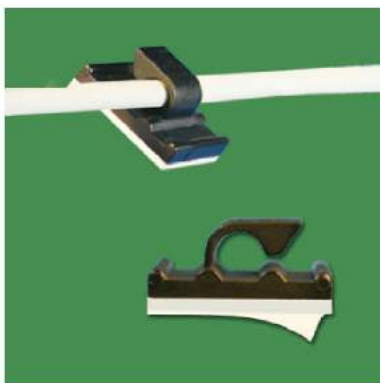
電線固定座 WIRE MOUNT

MATERIAL: NYLON 66(UL)
 FLAME CLASS: 94V-2
 CABLE DIAMETER: $\Phi 4 \sim \Phi 5$
 COLOR: NATURAL
 ADHESIVE TAPE: 3M

PART NO	A	B	C	D	PACKAGE
FW-1	16.0	7.3	18.9	$\phi 4.4$	500



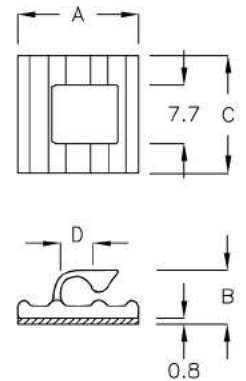
6-20-3



電線固定座 WIRE MOUNT

MATERIAL: NYLON 66(UL)
 FLAME CLASS: 94V-2
 CABLE DIAMETER: $\Phi 4 \sim \Phi 5$
 COLOR: BLACK
 ADHESIVE TAPE: 3M

PART NO	A	B	C	D	PACKAGE
FW-1GH	16.0	7.2	15.6	$\phi 4.4$	500



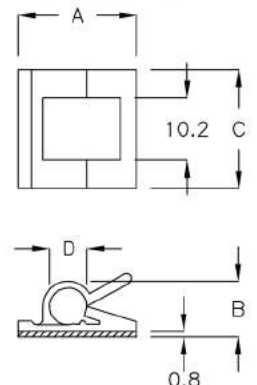
6-20-4



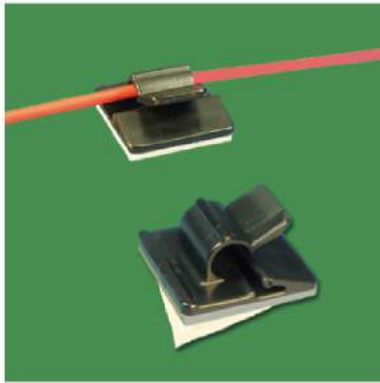
電線固定座 WIRE MOUNT

MATERIAL: NYLON 66(UL)
 FLAME CLASS: 94V-2
 COLOR: NATURAL
 ADHESIVE TAPE: 3M

PART NO	A	B	C	D CABLE DIM:	PACKAGE
FW-1A	19.0	8.8	20.2	$\phi 6.0$	500
FW-1AM	19.0	8.8	19.0	$\phi 5.2$	



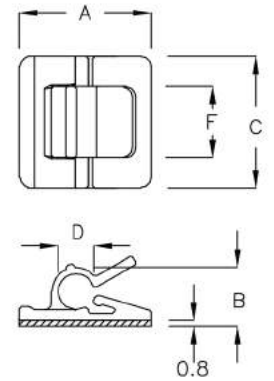
6-21-1



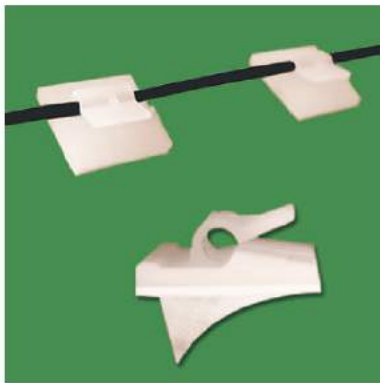
電線固定座 WIRE MOUNT

MATERIAL: NYLON 66(UL)
 FLAME CLASS: 94V-2
 COLOR: BLACK
 ADHESIVE TAPE: 3M

PART NO	A	B	C	D	F	PACKAGE
FW-1AS	19.0	8.5	19.0	∅5.2	10.2	500



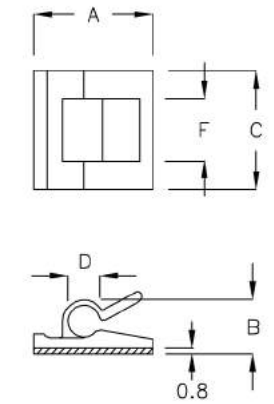
6-21-2



電線固定座 WIRE MOUNT

MATERIAL: NYLON 66(UL)
 FLAME CLASS: 94V-2
 COLOR: NATURAL
 ADHESIVE TAPE: 3M

PART NO	A	B	C	D	F	PACKAGE
FW-1AK	16.0	7.3	19.0	∅4.0	10.2	500
FW-1AP	16.0	6.4	16.0	∅3.0	8.5	
FW-1AQ	16.0	7.4	19.0	∅4.0	10.2	
FW-1AR	16.0	7.4	19.0	∅3.6	10.2	
FW-1AT	16.0	7.4	19.0	∅4.2	10.2	



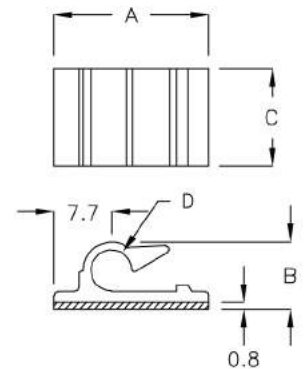
6-21-3



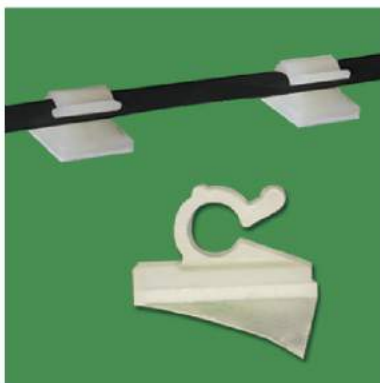
電線固定座 WIRE MOUNT

MATERIAL: NYLON 66(UL)
 FLAME CLASS: 94V-2
 COLOR: NATURAL
 ADHESIVE TAPE: 3M

PART NO	A	B	C	D	PACKAGE
FW-1B	20.7	9.0	13.0	∅5.6	500
FW-1C	20.7	7.5	10.0	∅3.6	



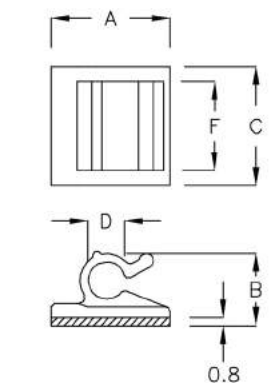
6-21-4



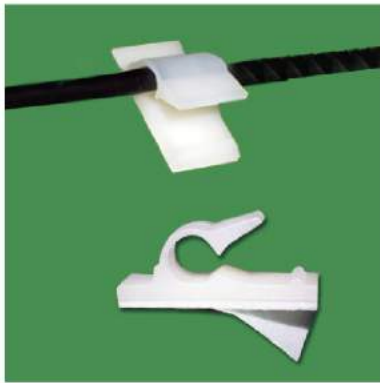
電線固定座 WIRE MOUNT

MATERIAL: NYLON 66(UL)
 FLAME CLASS: 94V-2
 COLOR: NATURAL
 ADHESIVE TAPE: 3M

PART NO	A	B	C	D	F	PACKAGE
FW-1AJ	12.0	7.3	12.0	∅3.8	9.0	500



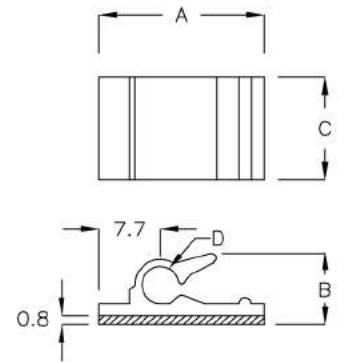
6-22-1



電線固定座 WIRE MOUNT

MATERIAL: NYLON 66(UL)
FLAME CLASS: 94V-2
COLOR: NATURAL
ADHESIVE TAPE: 3M

PART NO	A	B	C	D	PACKAGE
FW-2F	20.8	8.6	13.0	φ4.7	500



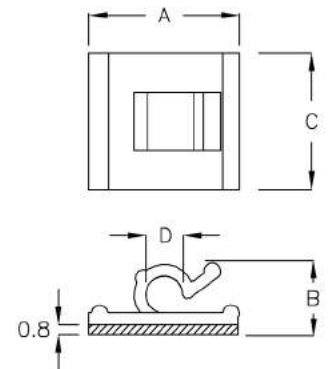
6-22-2



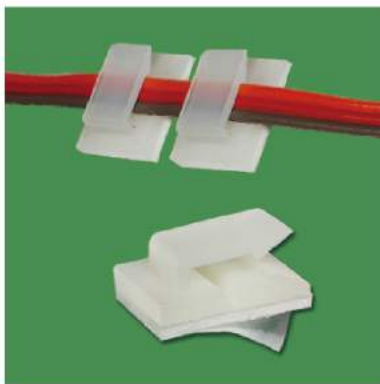
電線固定座 WIRE MOUNT

MATERIAL: NYLON 66(UL)
FLAME CLASS: 94V-2
COLOR: NATURAL
ADHESIVE TAPE: 3M

PART NO	A	B	C	D	PACKAGE
FW-01H	13.0	6.0	12.0	φ3.3	1000



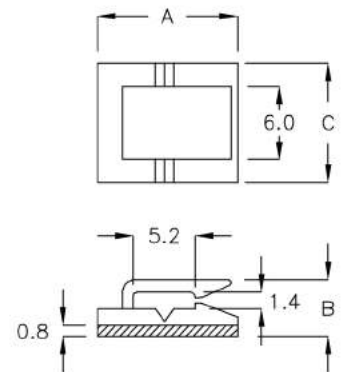
6-22-3



電線固定座 WIRE MOUNT

MATERIAL: NYLON 66(UL)
FLAME CLASS: 94V-2
COLOR: NATURAL
ADHESIVE TAPE: 3M
SUIT FOR ARCUATE SURFACE

PART NO	A	B	C	PACKAGE
FW-01F	12.0	4.6	10.0	1000



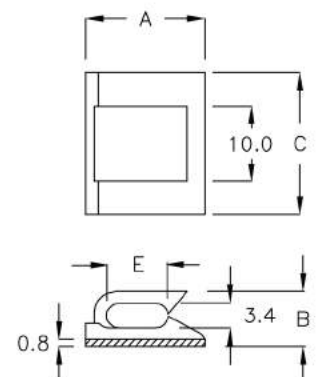
6-22-4



電線固定座 WIRE MOUNT

MATERIAL: NYLON 66(UL)
FLAME CLASS: 94V-2
COLOR: NATURAL
ADHESIVE TAPE: 3M

PART NO	A	B	C	E	PACKAGE
FW-2	16.0	7.2	19.0	8.3	500
FW-02P	14.0	7.2	16.0	6.3	
FW-02Q	18.0	7.2	19.0	10.2	



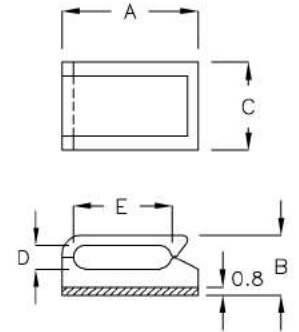
6-23-1



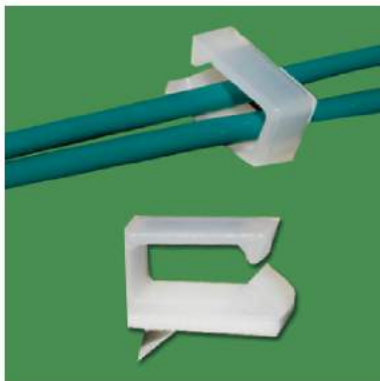
電線固定座 WIRE MOUNT

MATERIAL: NYLON 66(UL)
FLAME CLASS: 94V-2
COLOR: NATURAL
ADHESIVE TAPE: 3M

PART NO	A	B	C	D	E	PACKAGE
FW-2AG	12.7	6.4	12.7	2.8	8.4	500
FW-2JG	8.0	7.6	12.0	4.4	5.1	
FW-2M	14.5	6.4	9.5	2.5	10.3	
FW-2MA	16.7	6.6	13.0	3.1	11.6	
FW-2MP	12.0	6.3	9.5	2.5	6.3	
FW-2MQ	10.0	5.9	9.5	2.5	4.3	
FW-2S	12.5	6.0	9.5	2.5	8.4	
FW-2SP	12.7	6.3	12.5	2.5	8.2	1000
FW-6NJ	6.5	4.5	12.0	1.4	4.0	



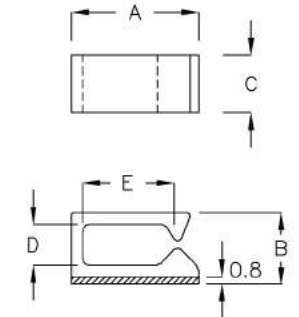
6-23-2



電線固定座 WIRE MOUNT

MATERIAL: NYLON 66(UL)
FLAME CLASS: 94V-2
COLOR: NATURAL
ADHESIVE TAPE: 3M

PART NO	A	B	C	D	E	PACKAGE
FW-2SC	9.0	5.3	4.0	2.9	6.4	1000



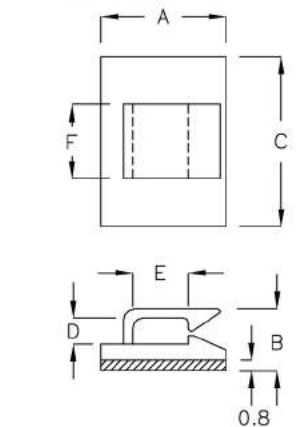
6-23-3



電線固定座 WIRE MOUNT

MATERIAL: NYLON 66(UL)
FLAME CLASS: 94V-2
COLOR: NATURAL
ADHESIVE TAPE: 3M

PART NO	A	B	C	D	E	F	PACKAGE
FW-019	20.0	6.7	14.0	3.2	13.2	10.0	500
FW-19A	19.9	6.1	11.9	2.6	13.2	10.0	
FW-02N	9.8	4.5	9.5	1.4	6.5	6.4	1000
FW-1M	12.3	6.4	15.9	3.2	5.8	7.0	
FW-1Q	11.7	5.2	10.0	2.0	5.2	6.0	
FW-1S	11.7	5.6	15.9	2.5	5.2	7.0	



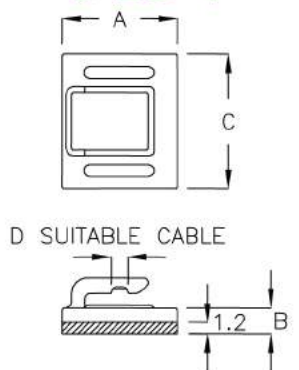
6-23-4



電線固定座 WIRE MOUNT

MATERIAL: ABS(UL)
FLAME CLASS: 94-HB
COLOR: BLACK
ADHESIVE TAPE: 3M

PART NO	A	B	C	D	PACKAGE
FYS-4HJ	12.0	2.7	14.0	∅2.1	500



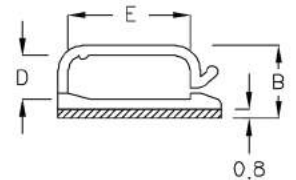
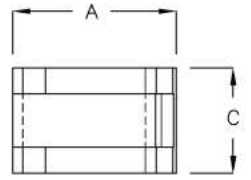
6-24-1



電線固定座 WIRE MOUNT

MATERIAL: NYLON 66(UL)
FLAME CLASS: 94V-2
COLOR: NATURAL
ADHESIVE TAPE: 3M

PART NO	A	B	C	D	E	PACKAGE
FW-2DT	29.4	12.2	19.0	7.8	22.0	200
FW-22AD	22.7	9.5	20.0	6.0	18.0	



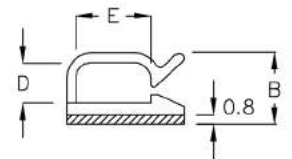
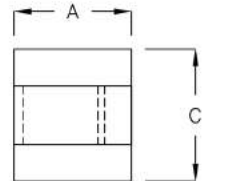
6-24-2



電線固定座 WIRE MOUNT

MATERIAL: NYLON 66(UL)
FLAME CLASS: 94V-2
COLOR: NATURAL
ADHESIVE TAPE: 3M

PART NO	A	B	C	D	E	PACKAGE
FW-1D	13.4	8.1	16.0	4.7	8.0	500
FW-1DS	11.4	8.1	16.0	4.7	6.0	
FW-1DL	15.4	8.1	16.0	4.7	10.0	
FW-3D	14.4	8.3	16.0	4.8	9.0	
FW-3DK	13.0	8.7	14.0	5.2	9.0	
FW-4D	14.4	8.7	16.0	5.2	8.2	
FW-5D	16.9	10.2	16.0	6.7	10.2	200
FW-33H	33.0	10.7	20.0	6.0	26.8	



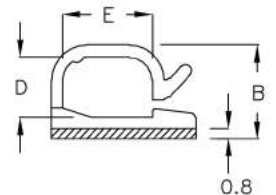
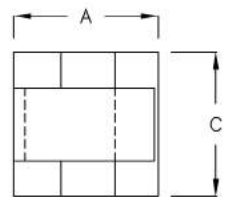
6-24-3



電線固定座 WIRE MOUNT

MATERIAL: NYLON 66(UL)
FLAME CLASS: 94V-2
COLOR: NATURAL
ADHESIVE TAPE: 3M

PART NO	A	B	C	D	E	PACKAGE
FW-2D	19.0	11.8	19.0	7.9	11.8	500
FW-2DM	16.0	9.5	19.0	6.0	9.0	
FW-2DP	19.0	12.3	19.0	7.9	11.7	
FW-2DS	14.9	9.5	19.0	6.0	7.9	
FW-2RN	19.25	12.15	15.5	7.9	11.7	
FW-6D	20.9	12.1	19.0	8.3	13.7	



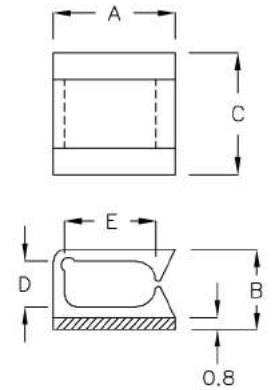
6-25-1



電線固定座 WIRE MOUNT

MATERIAL: NYLON 66(UL)
FLAME CLASS: 94V-2
COLOR: NATURAL
ADHESIVE TAPE: 3M

PART NO	A	B	C	D	E	PACKAGE
FW-2L	16.2	9.9	16.0	6.0	11.8	500
FW-2LP	14.2	9.8	16.0	6.0	7.5	
FW-2LQ	16.2	9.8	16.0	6.0	9.5	
FW-2K	14.0	7.2	12.1	3.6	10.2	
FW-2KP	12.0	7.0	12.1	3.6	6.2	
FW-2KQ	13.0	7.1	12.1	3.6	8.2	
FW-2OHQ	20.0	10.1	16.0	6.6	15.8	



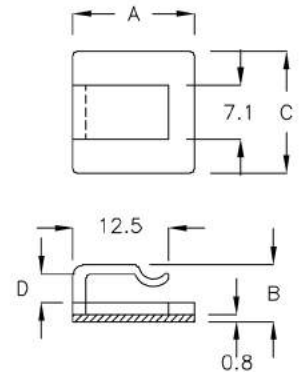
6-25-2



電線固定座 WIRE MOUNT

MATERIAL: NYLON 66(UL)
FLAME CLASS: 94V-2
COLOR: NATURAL
ADHESIVE TAPE: 3M

PART NO	A	B	C	D	PACKAGE
FDW-1	16.0	7.3	16.0	3.7	500



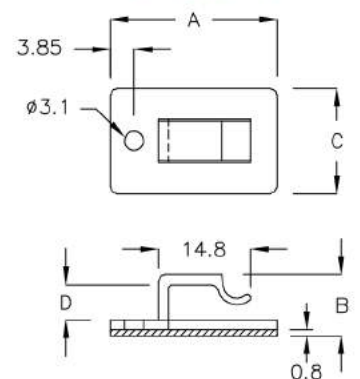
6-25-3



電線固定座 WIRE MOUNT

MATERIAL: NYLON 66(UL)
FLAME CLASS: 94V-2
COLOR: NATURAL
ADHESIVE TAPE: 3M
ALSO CAN BE FASTENED WITH M3 SCREW

PART NO	A	B	C	D	PACKAGE
FDW-3	27.0	9.3	17.0	5.7	500



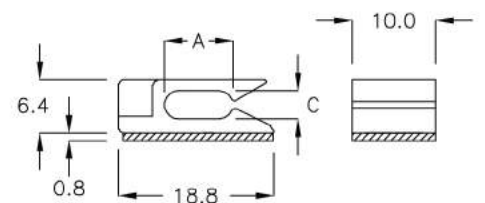
6-25-4

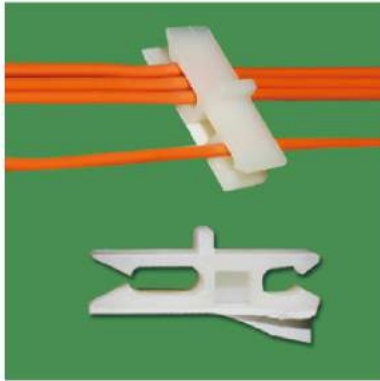


電線固定座 WIRE MOUNT

MATERIAL: NYLON 66(UL)
FLAME CLASS: 94V-2
COLOR: NATURAL
ADHESIVE TAPE: 3M

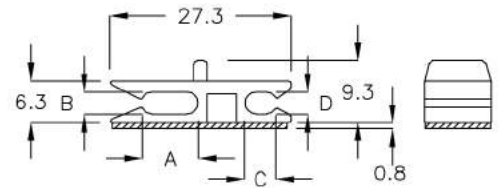
PART NO	A	C	PACKAGE
CU-01A	8.2	3.3	1000



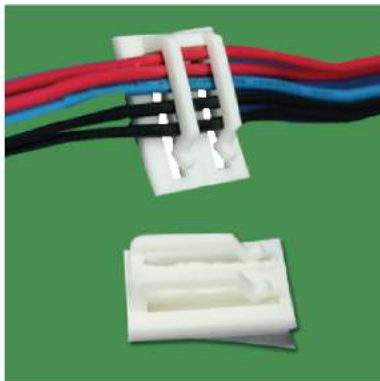


電線固定座 WIRE MOUNT

MATERIAL: NYLON 66(UL)
FLAME CLASS: 94V-2
COLOR: NATURAL
ADHESIVE TAPE: 3M

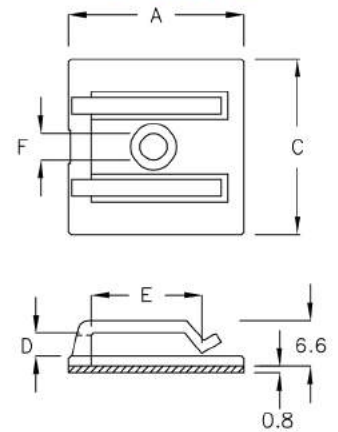


PART NO	A	B	C	D	PACKAGE
CU-01D	8.6	3.3	4.9	3.3	1000



電線固定座 WIRE MOUNT

MATERIAL: NYLON 66(UL)
FLAME CLASS: 94V-2
COLOR: NATURAL
ADHESIVE TAPE: 3M
ALSO CAN BE FASTENED WITH M4 SCREW

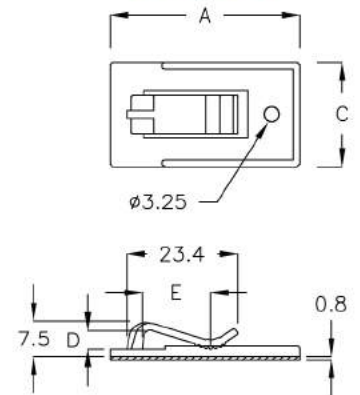


PART NO	A	C	D	E	F	PACKAGE
FSC-01	25.7	25.4	3.3	16.0	∅4.7	500
FSC-02	25.4	25.4	3.0	15.8	∅5.0	



排線固定座 FLAT CABLE CLAMP

MATERIAL: NYLON 66(UL)
FLAME CLASS: 94V-2
COLOR: BLACK
ADHESIVE TAPE: 3M
ALSO CAN BE FASTENED WITH M3 SCREW

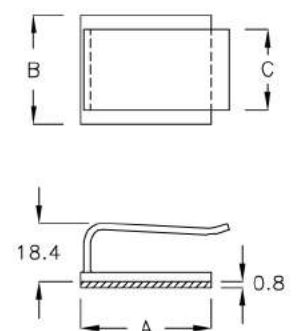


PART NO	A	C	D	E	PACKAGE
FDX-40	40.0	22.0	4.0	14.5	500



電線固定座 WIRE MOUNT

MATERIAL: NYLON 66(UL)
FLAME CLASS: 94V-2
COLOR: NATURAL
ADHESIVE TAPE: 3M



PART NO	A	B	C	PACKAGE
FDM-42	42.0	35.0	26.0	100

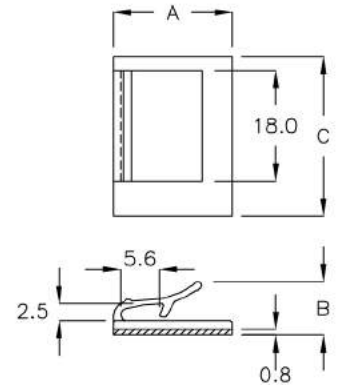
6-27-1



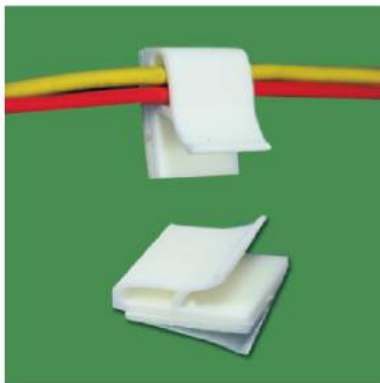
電線固定座 WIRE MOUNT

MATERIAL: NYLON 66(UL)
FLAME CLASS: 94V-2
COLOR: NATURAL
ADHESIVE TAPE: 3M

PART NO	A	B	C	PACKAGE
FDK-25	17.0	7.65	25.0	500



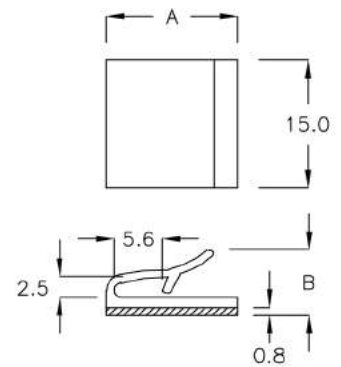
6-27-2



電線固定座 WIRE MOUNT

MATERIAL: NYLON 66(UL)
FLAME CLASS: 94V-2
COLOR: NATURAL
ADHESIVE TAPE: 3M

PART NO	A	B	PACKAGE
FW-11	15.5	7.6	500



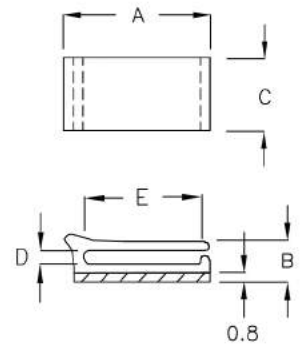
6-27-3



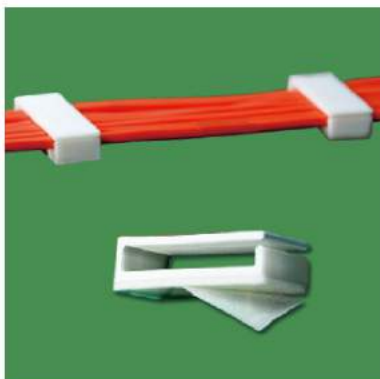
電線固定座 WIRE MOUNT

MATERIAL: NYLON 66(UL)
FLAME CLASS: 94V-2
COLOR: NATURAL
ADHESIVE TAPE: 3M

PART NO	A	B	C	D	E	PACKAGE
FYK-16A	16.15	4.3	8.0	1.5	13.0	500



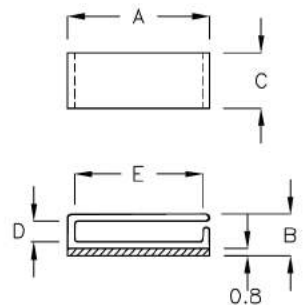
6-27-4



電線固定座 WIRE MOUNT

MATERIAL: NYLON 66(UL)
FLAME CLASS: 94V-2
COLOR: NATURAL
ADHESIVE TAPE: 3M

PART NO	A	B	C	D	E	PACKAGE
FYM-20M	20.5	5.8	8.0	3.0	18.5	500
FYM-21	21.0	4.3	8.0	1.5	19.0	



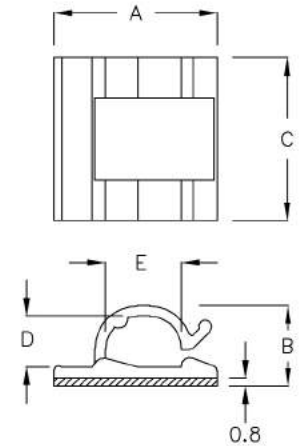
6-28-1



電線固定座 WIRE MOUNT

MATERIAL: NYLON 66(UL)
 FLAME CLASS: 94V-2
 COLOR: NATURAL
 ADHESIVE TAPE: 3M

PART NO	A	B	C	D	E	PACKAGE
FW-2DN	25.4	12.2	15.6	7.9	8.0	500
FW-2DA	25.4	12.2	15.6	7.9	11.7	
FW-2DC	25.4	15.5	15.9	11.1	11.7	
FW-2DL	25.4	12.1	25.4	7.9	11.8	
FW-2DW	25.4	12.1	25.4	7.9	15.0	



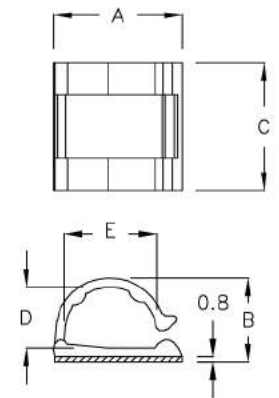
6-28-2



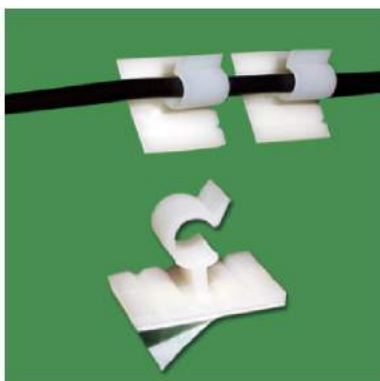
電線固定座 WIRE MOUNT

MATERIAL: NYLON 66(UL)
 FLAME CLASS: 94V-2
 COLOR: NATURAL
 ADHESIVE TAPE: 3M

PART NO	A	B	C	D	E	PACKAGE
FW-2DR	25.4	16.3	25.4	11.8	15.0	200
FW-2DK	25.4	16.3	25.4	11.8	18.4	
FW-2DY	40.0	26.2	40.0	20.2	20.0	50
FW-2DJ	40.0	26.2	40.0	20.2	28.8	



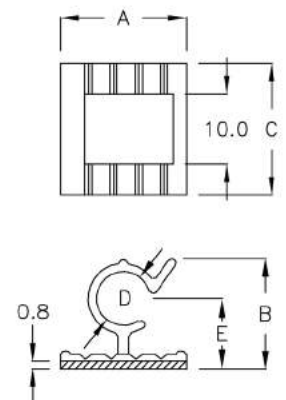
6-28-3



電線固定座 WIRE MOUNT

MATERIAL: NYLON 66(UL)
 FLAME CLASS: 94V-2
 COLOR: NATURAL
 ADHESIVE TAPE: 3M
 SUIT FOR ARCUATE SURFACE

PART NO	A	B	C	D	E	PACKAGE
FW-1CH	18.2	13.2	19.0	∅5.0	8.4	500
FW-2CH	18.2	15.2	19.0	∅7.8	9.9	
FW-3CH	18.2	13.2	19.0	∅6.7	8.4	
FW-4CH	23.0	15.3	15.0	∅7.8	9.9	



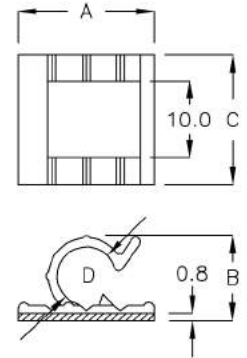
6-29-1



電線固定座 WIRE MOUNT

MATERIAL: NYLON 66(UL)
 FLAME CLASS: 94V-2
 CABLE DIAMETER: $\Phi 7.8$
 COLOR: NATURAL
 ADHESIVE TAPE: 3M
 SUIT FOR ARCUATE SURFACE

PART NO	A	B	C	D	PACKAGE
FW-2C	18.2	11.0	19.0	$\Phi 7.8$	500



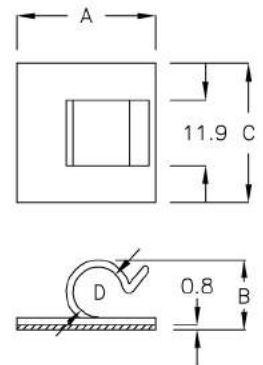
6-29-2



電線固定座 WIRE MOUNT

MATERIAL: NYLON 66(UL)
 FLAME CLASS: 94V-2
 CABLE DIAMETER: $\Phi 9.1$
 COLOR: NATURAL
 ADHESIVE TAPE: 3M

PART NO	A	B	C	D	PACKAGE
FW-2DQ	25.1	12.6	25.1	$\Phi 9.1$	500



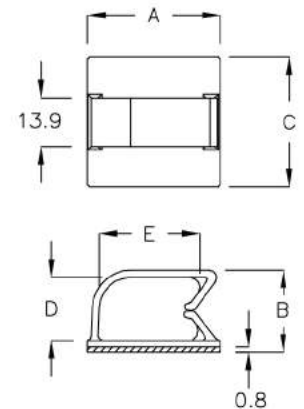
6-29-3



電線固定座 WIRE MOUNT

MATERIAL: NYLON 66(UL)
 FLAME CLASS: 94V-2
 COLOR: NATURAL
 ADHESIVE TAPE: 3M

PART NO	A	B	C	D	E	PACKAGE
FW-6F	38.0	22.8	37.2	18.0	28.6	100



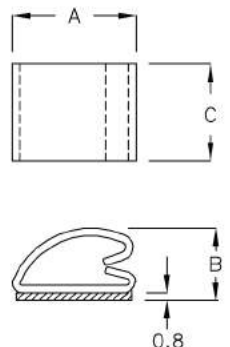
6-29-4



電線固定座 WIRE MOUNT

MATERIAL: NYLON 66(UL)
 FLAME CLASS: 94V-2
 COLOR: NATURAL
 ADHESIVE TAPE: 3M

PART NO	A	B	C	PACKAGE
FW-7	19.2	11.4	20.0	500
FW-7S	19.2	11.4	15.0	



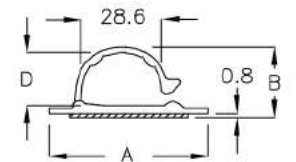
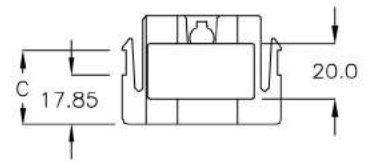
6-30-1



電線固定座 WIRE MOUNT

MATERIAL: NYLON 66(UL)
FLAME CLASS: 94V-2
COLOR: BLACK
ADHESIVE TAPE: 3M

PART NO	A	B	C	D	PACKAGE
FWB-12	57.3	24.8	26.5	19.1	100



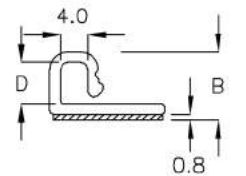
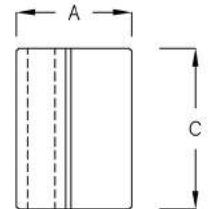
6-30-2



電線固定座 WIRE MOUNT

MATERIAL: NYLON 66(UL)
FLAME CLASS: 94V-2
COLOR: NATURAL
ADHESIVE TAPE: 3M

PART NO	A	B	C	D	PACKAGE
FSD-6A	16.5	9.8	32.0	6.0	500



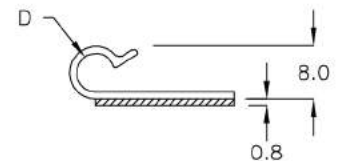
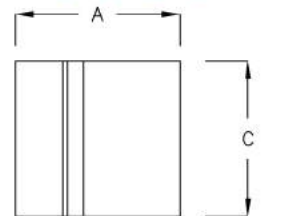
6-30-3



電線固定座 WIRE MOUNT

MATERIAL: NYLON 66(UL)
FLAME CLASS: 94V-2
COLOR: NATURAL
ADHESIVE TAPE: 3M

PART NO	A	C	D	PACKAGE
FWG-38	24.7	37.5	ø5.8	100



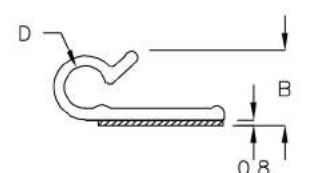
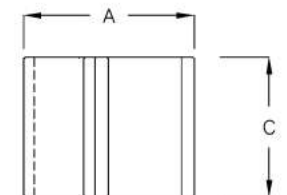
6-30-4



電線固定座 WIRE MOUNT

MATERIAL: NYLON 66(UL)
FLAME CLASS: 94V-2
COLOR: NATURAL
ADHESIVE TAPE: 3M

PART NO	A	B	C	D	PACKAGE
FWG-10	13.4	5.95	10.0	ø2.7	1000
FWG-12	14.5	6.75	12.0	ø3.7	200



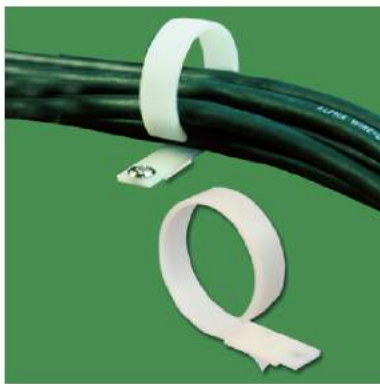
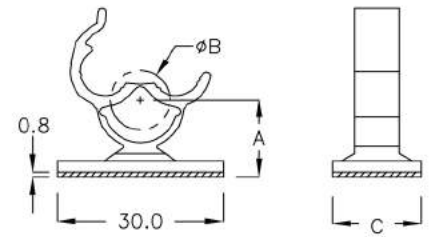


電線固定座 WIRE MOUNT

MATERIAL: NYLON 66(UL)
 FLAME CLASS: 94V-2
 COLOR: NATURAL
 ADHESIVE TAPE: 3M

WITH LOCK FEATURE

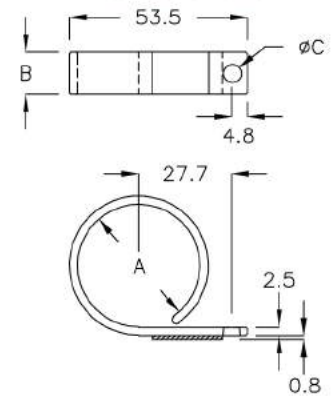
PART NO	A	B CLOSE DIA	C	PACKAGE
FW-CD30	13.8	ø8.6	16.0	200



電線固定扣 CABLE CLAMP

MATERIAL: NYLON 66(UL)
 FLAME CLASS: 94V-2
 COLOR: NATURAL
 ADHESIVE TAPE: 3M
 ALSO CAN BE FASTENED
 WITH M4 SCREW

PART NO	A	B	C	PACKAGE
PCX-39M	ø36.9	12.6	ø4.9	100

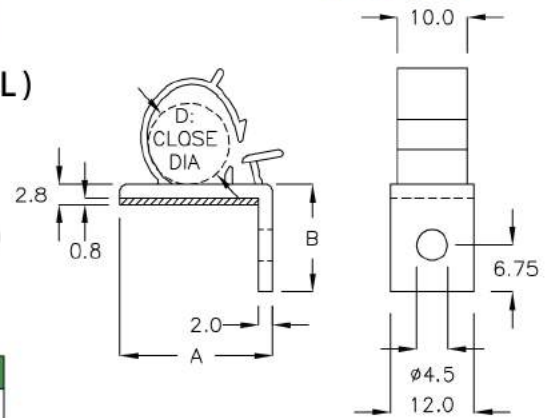


電線固定座 TIE MOUNT

MATERIAL: NYLON 66(UL)
 FLAME CLASS: 94V-2
 COLOR: NATURAL
 ADHESIVE TAPE: 3M
 ALSO CAN BE FASTENED
 WITH M4 SCREW

WITH LOCK FEATURE

PART NO	A	B	D	PACKAGE
LFW-3	22.0	15.5	ø11.7	200

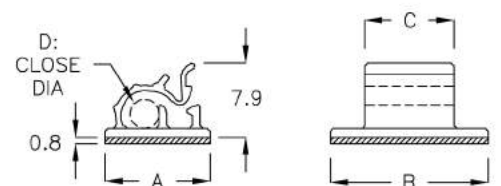


電線固定座 TIE MOUNT

MATERIAL: NYLON 66(UL)
 FLAME CLASS: 94V-2
 COLOR: NATURAL
 ADHESIVE TAPE: 3M

WITH LOCK FEATURE

PART NO	A	B	C	D	PACKAGE
FWZ-3A	11.3	18.5	11.2	ø3.4	500

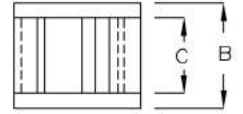


6-32-1



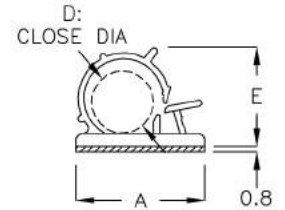
電線固定座 TIE MOUNT

MATERIAL: NYLON 66(UL)
FLAME CLASS: 94V-2
COLOR: NATURAL
ADHESIVE TAPE: 3M

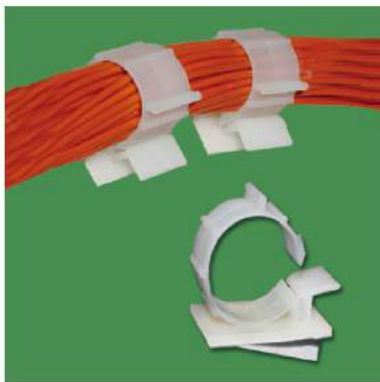


WITH LOCK FEATURE

PART NO	A	B	C	D	E	PACKAGE
FW-04S	22.0	16.0	10.0	φ11.7	18.6	200
FW-3	25.0	19.6	12.0	φ9.0	16.7	
FW-03A	19.0	19.0	9.0	φ6.8	13.6	
FW-3S	21.0	19.0	9.0	φ7.8	13.1	
FW-3L	21.6	16.8	12.0	φ10.4	15.8	
FW-4	29.8	19.8	14.7	φ12.6	27.2	100
FW-04L	33.5	24.8	16.2	φ19.0	31.0	

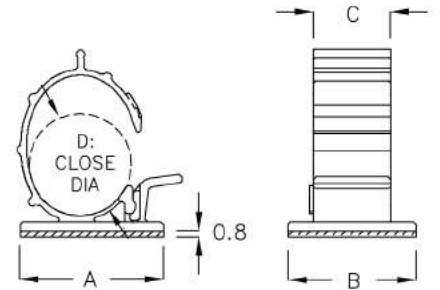


6-32-2



電線固定座 TIE MOUNT

MATERIAL: NYLON 66(UL)
FLAME CLASS: 94V-2
COLOR: NATURAL
ADHESIVE TAPE: 3M



WITH LOCK FEATURE

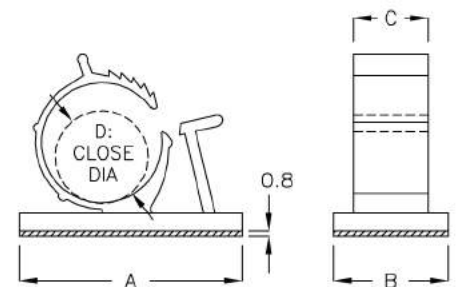
PART NO	A	B	C	D	PACKAGE
FDD-28	28.0	25.0	15.0	φ19.5~φ20.0	100

6-32-3



電線固定座 TIE MOUNT

MATERIAL: NYLON 66(UL)
FLAME CLASS: 94V-2
COLOR: NATURAL
ADHESIVE TAPE: 3M



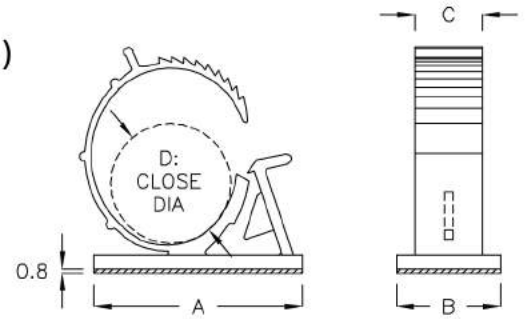
WITH LOCK FEATURE

PART NO	A	B	C	D	PACKAGE
FW-33	30.0	16.0	12.0	φ10.5~φ14.5	200
FW-33A	25.5	16.0	12.0	φ10.5~φ14.5	
FW-35	38.2	20.0	12.9	φ14.5~φ18.5	100
FW-39	38.8	20.0	12.9	φ18.5~φ22.5	



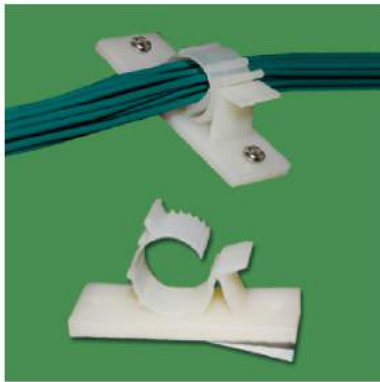
電線固定座 TIE MOUNT

MATERIAL: NYLON 66(UL)
 FLAME CLASS: 94V-2
 COLOR: NATURAL
 ADHESIVE TAPE: 3M



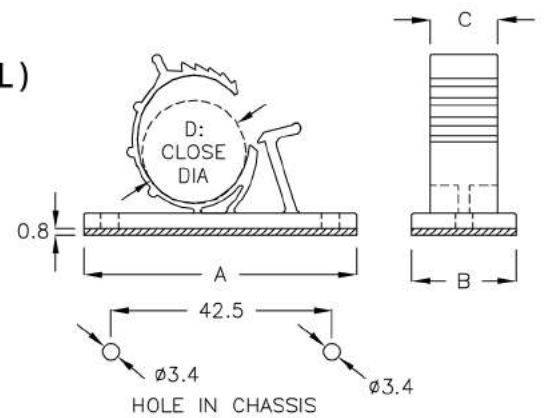
WITH LOCK FEATURE

PART NO	A	B	C	D	PACKAGE
FW-35C	35.0	19.0	12.9	ø27.0~ø29.0	100
FW-40	40.0	20.0	12.9	ø22.5~ø26.5	



電線固定座 TIE MOUNT

MATERIAL: NYLON 66(UL)
 FLAME CLASS: 94V-2
 COLOR: NATURAL
 ADHESIVE TAPE: 3M
 ALSO CAN BE FASTENED WITH M3 SCREW



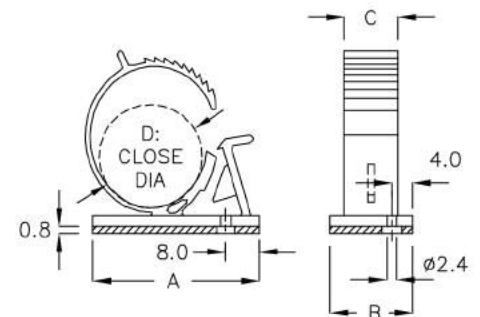
WITH LOCK FEATURE

PART NO	A	B	C	D	PACKAGE
FWP-33	52.5	20.0	13.0	ø10.5~13.5	200
FWP-52	52.5	20.0	13.0	ø14.5~17.5	100



電線固定座 TIE MOUNT

MATERIAL: NYLON 66(UL)
 FLAME CLASS: 94V-2
 COLOR: NATURAL
 ADHESIVE TAPE: 3M
 ALSO CAN BE FASTENED WITH M3 TAPPING SCREW



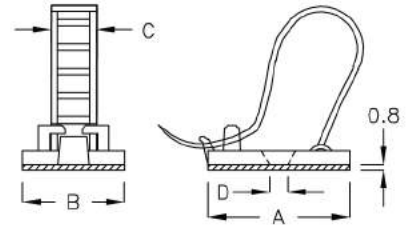
WITH LOCK FEATURE

PART NO	A	B	C	D	PACKAGE
FWP-40	39.9	19.9	12.9	ø22.5~ø26.5	100



電線固定座 WIRE MOUNT

MATERIAL: NYLON 66(UL)
 FLAME CLASS: 94V-2
 COLOR: NATURAL
 ADHESIVE TAPE: 3M
 ALSO CAN BE FASTENED WITH M3 SCREW

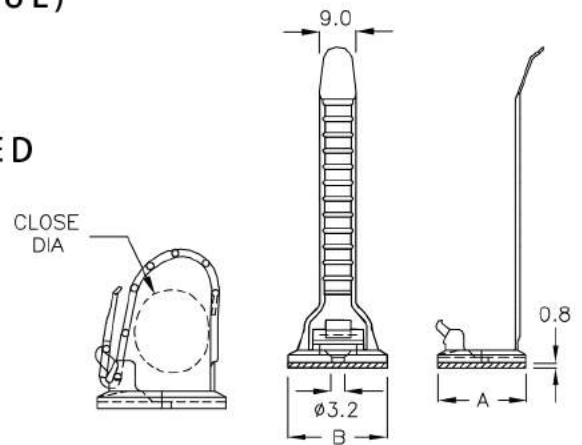


PART NO	A	B	C	D	MAX BUNDLE DIA	PACKAGE
FWA-12	20.0	15.0	5.0	ø3.4	ø12.0	200
FWA-13	25.0	18.0	7.9	ø3.5	ø13.0	
FWA-17	25.0	18.0	7.9	ø3.5	ø17.0	
FWA-19	20.0	15.0	5.0	ø3.4	ø19.5	
FWA-21	25.0	18.0	8.1	ø3.5	ø18.5	
FWA-22	30.5	21.0	12.0	ø3.5	ø22.0	100
FWA-22C	31.8	21.0	12.0	ø3.6	ø22.0	
FWA-26	30.5	21.0	12.0	ø3.5	ø26.0	



電線固定座 WIRE MOUNT

MATERIAL: NYLON 66(UL)
 FLAME CLASS: 94V-2
 COLOR: BLACK
 ADHESIVE TAPE: 3M
 ALSO CAN BE FASTENED WITH M3 SCREW



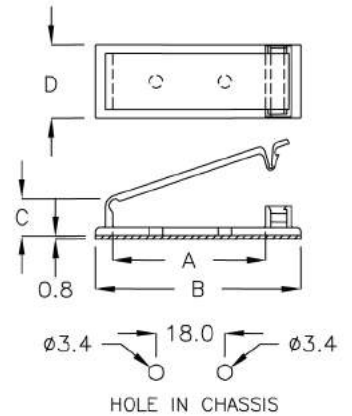
PART NO	A	B	CLOSE DIA	PACKAGE
FWX-08	22.0	25.0	7.0~ 9.0	200
FWX-10	22.0	25.0	9.0~11.0	
FWX-15	22.0	25.0	15.0~17.0	
FWX-15A	22.0	25.0	18.5~19.5	

6-35-1



電線固定板 FLAT CABLE CLAMP

MATERIAL: NYLON 66(UL)
 FLAME CLASS: 94V-2
 COLOR: BLACK
 ADHESIVE TAPE: 3M
 ALSO CAN BE FASTENED
 WITH M3 SCREW



PART NO	A	B	C	D	PACKAGE
★ FCW-40GQ	40.0	53.5	11.2	19.3	100

6-35-2

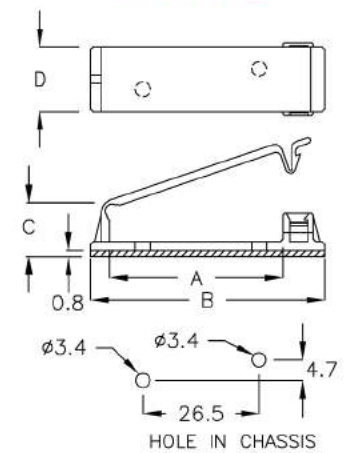


排線固定板 FLAT CABLE CLAMP

MATERIAL: NYLON 66(UL)
 FLAME CLASS: 94V-2
 COLOR: NATURAL
 ADHESIVE TAPE: 3M
 ALSO CAN BE FASTENED
 WITH M3 SCREW

WITH LOCK FEATURE

PART NO	A	B	C	D	PACKAGE
FCW-40MH	39.7	53.5	11.7	14.7	100



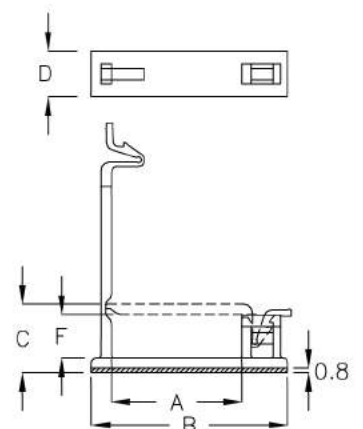
6-35-3

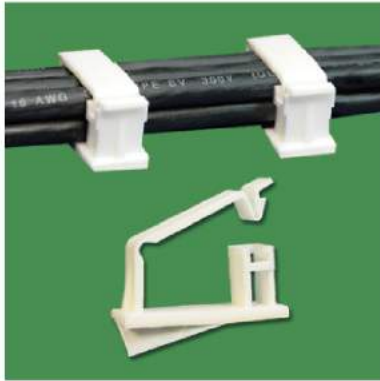


電線固定板 CABLE CLAMP

MATERIAL: NYLON 66(UL)
 FLAME CLASS: 94V-2
 COLOR: NATURAL, BLACK
 ADHESIVE TAPE: 3M

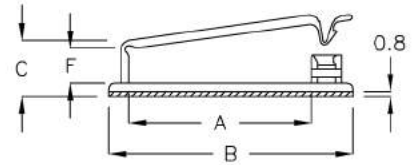
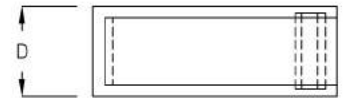
PART NO	A	B	C	D	F	PACKAGE
FCW-23GK	23.0	34.5	12.0	8.0	7.6	200





電線固定板 CABLE CLAMP

MATERIAL: NYLON 66(UL)
 FLAME CLASS: 94V-2
 COLOR: NATURAL
 ADHESIVE TAPE: 3M

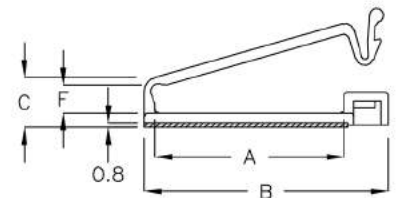
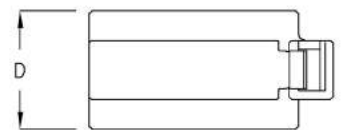


PART NO	A	B	C	D	F	PACKAGE
FCW-4CK	4.7	12.0	8.6	9.5	5.0	1000
FCW-11JM	11.0	19.0	15.6	12.0	11.8	200
FCW-13RT	13.7	23.0	21.8	20.0	17.0	100
FCW-16A	16.7	26.0	27.9	20.0	23.6	
FCW-17HD	17.0	26.2	14.2	10.0	10.2	
FCW-27A	26.9	38.0	16.4	15.0	12.5	
FCW-27CS	27.0	38.5	14.4	15.0	9.5	
FCW-27KM	27.0	38.5	14.4	11.2	9.5	
FCW-29	31.6	45.5	10.9	19.0	5.5	
FCW-30	32.0	45.7	12.2	19.2	7.0	
FCW-32MT	32.7	44.7	22.0	15.0	15.8	
FCW-31F	31.6	45.0	18.4	15.0	13.0	
FCW-35QT	21.6	35.0	17.6	15.0	13.0	
FCW-35XR	35.0	48.9	11.5	13.0	6.5	
FCW-40	39.7	53.5	13.1	19.2	7.0	
FCW-40K	39.7	53.5	15.3	19.3	9.5	
FCW-41	41.3	55.2	10.4	18.7	5.0	
FCW-50	64.0	77.5	12.3	19.2	6.5	
FCW-50H	65.2	79.2	18.8	19.0	13.0	
★ FCW-52KT	52.2	61.0	13.2	12.7	8.8	
FCW-52A	52.6	66.5	15.2	19.8	10.1	



電線固定板 CABLE CLAMP

MATERIAL: NYLON 66(UL)
 FLAME CLASS: 94V-2
 COLOR: NATURAL
 ADHESIVE TAPE: 3M

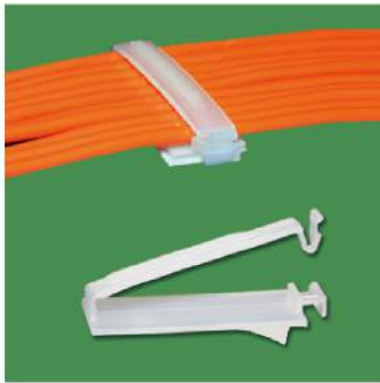


PART NO	A	B	C	D	F	PACKAGE
FCW-16QS	16.0	20.6	4.3	10.0	2.0	500

線材固定, 線材隔離 CABLE CLAMP, SADDLE

PINGOOD

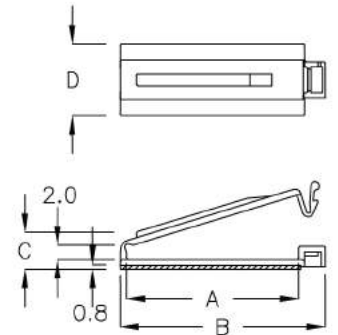
6-37-1



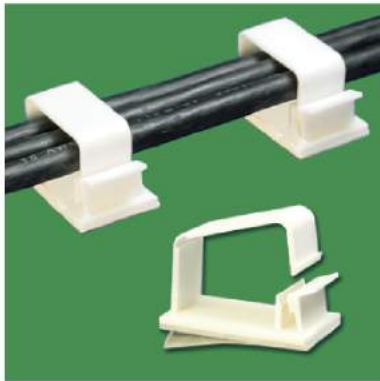
電線固定板 CABLE CLAMP

MATERIAL: NYLON 66(UL)
FLAME CLASS: 94V-2
COLOR: NATURAL
ADHESIVE TAPE: 3M

PART NO	A	B	C	D	PACKAGE
FCW-16GR	16.0	20.6	5.3	10.0	200
FCW-24GR	24.0	28.6	6.2	10.0	
FCW-30GR	30.0	34.6	5.3	10.0	



6-37-2

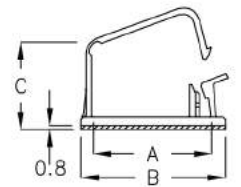


電線固定板 CABLE CLAMP

MATERIAL: NYLON 66(UL)
FLAME CLASS: 94V-2
COLOR: NATURAL
ADHESIVE TAPE: 3M

WITH LOCK FEATURE

PART NO	A	B	C	D	PACKAGE
FWT-17C	17.0	26.2	13.5	10.0	100
FWT-21	21.0	31.0	19.3	19.0	



6-37-3

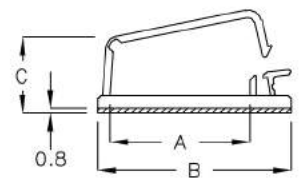
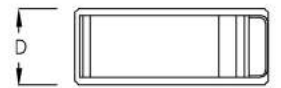


電線固定板 CABLE CLAMP

MATERIAL: NYLON 66(UL)
FLAME CLASS: 94V-2
COLOR: NATURAL
ADHESIVE TAPE: 3M

WITH LOCK FEATURE

PART NO	A	B	C	D	PACKAGE
FWT-25	31.6	45.0	18.8	19.0	100
FWT-25A	33.0	44.4	11.2	19.0	



6-37-4

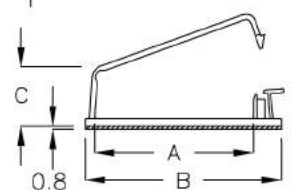


電線固定板 CABLE CLAMP

MATERIAL: NYLON 66(UL)
FLAME CLASS: 94V-2
COLOR: BLACK
ADHESIVE TAPE: 3M

WITH LOCK FEATURE

PART NO	A	B	C	D	PACKAGE
FWT-53C	53.9	66.7	21.7	15.0	100



6-38-1

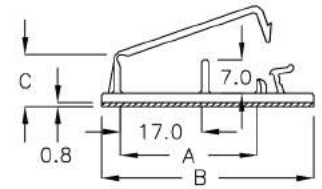
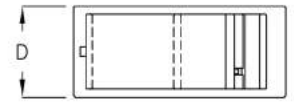


電線固定板 CABLE CLAMP

MATERIAL: NYLON 66(UL)
 FLAME CLASS: 94V-2
 COLOR: NATURAL
 ADHESIVE TAPE: 3M

WITH LOCK FEATURE

PART NO	A	B	C	D	PACKAGE
FCY-27SY	28.5	44.4	11.0	19.0	100



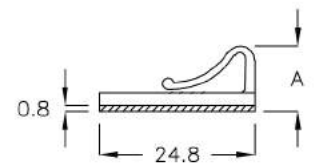
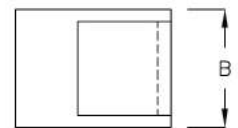
6-38-2



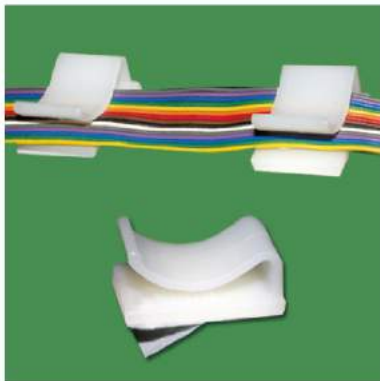
排線固定板 FLAT CABLE CLAMP

MATERIAL: NYLON 66(UL)
 FLAME CLASS: 94V-2
 COLOR: NATURAL
 ADHESIVE TAPE: 3M

PART NO	A	B	PACKAGE
FC-10N	10.4	18.8	500



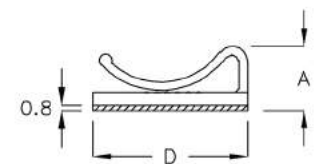
6-38-3



排線固定板 FLAT CABLE CLAMP

MATERIAL: NYLON 66(UL)
 FLAME CLASS: 94V-2
 COLOR: NATURAL
 ADHESIVE TAPE: 3M

PART NO	A	B	C	D	PACKAGE
FC-15N	10.5	19.0	15.0	25.0	200
FC-25N	10.5	25.0	23.0	25.2	



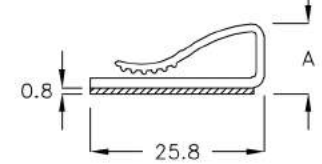
6-38-4



排線固定板 FLAT CABLE CLAMP

MATERIAL: NYLON 66(UL)
 COLOR: GRAY
 ADHESIVE TAPE: 3M

PART NO	A	B	PACKAGE
FB-15A	10.3	15.0	1000



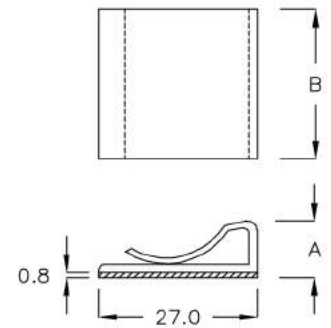
6-39-1



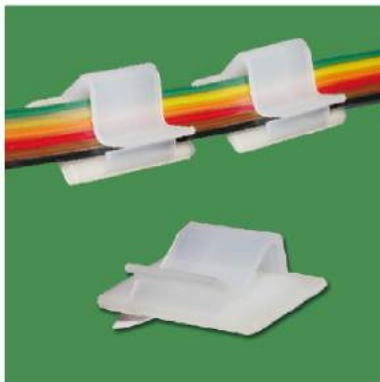
排線固定板 FLAT CABLE CLAMP

MATERIAL: NYLON 66(UL)
 FLAME CLASS: 94V-2
 COLOR: NATURAL
 ADHESIVE TAPE: 3M

PART NO	A	B	PACKAGE
FC-25A	9.6	25.4	500



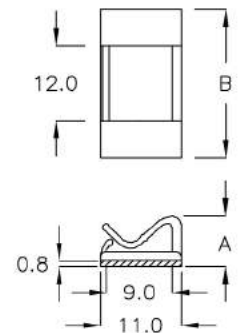
6-39-2



排線固定板 FLAT CABLE CLAMP

MATERIAL: NYLON 66(UL)
 FLAME CLASS: 94V-2
 COLOR: NATURAL
 ADHESIVE TAPE: 3M

PART NO	A	B	PACKAGE
FCR-09	6.8	22.0	1000

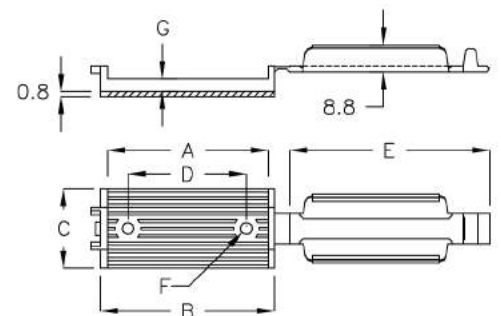


6-39-3



排線固定板 FLAT CABLE CLAMP

MATERIAL: NYLON 66(UL)
 FLAME CLASS: 94V-2
 COLOR: NATURAL
 ADHESIVE TAPE: 3M
 ALSO CAN BE FASTENED
 WITH M3 SCREW



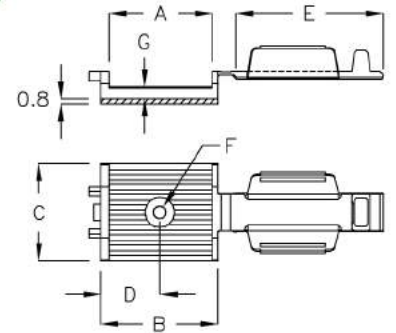
PART NO	A	B	C	D	E	F	G	SUITABLE CABLE	PACKAGE
FCM-50	53.0	57.3	26.0	39.0	64.6	2- ϕ 3.8	4.1	40 PIN	100

6-40-1



排線固定板 FLAT CABLE CLAMP

MATERIAL: NYLON 66(UL)
 FLAME CLASS: 94V-2
 COLOR: NATURAL
 ADHESIVE TAPE: 3M
 ALSO CAN BE FASTENED
 WITH M3 SCREW



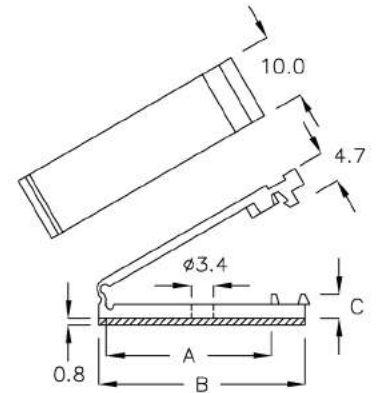
PART NO	A	B	C	D	E	F	G	SUITABLE CABLE	PACKAGE
FCM-26AM	26.6	29.7	25.0	14.85	37.9	∅3.8	3.0	16 PIN	100
FCM-30	30.5	34.5	25.4	17.5	42.0	∅3.8	3.1	24 PIN	
FCM-31	26.8	30.7	25.4	15.5	38.5	∅3.65	3.0	16 PIN	

6-40-2



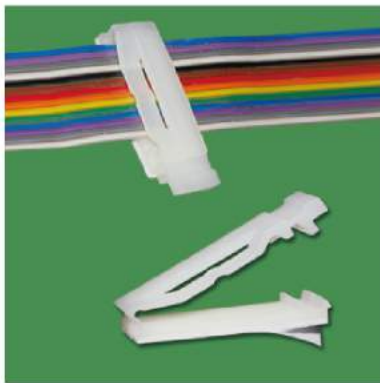
排線固定板 FLAT CABLE CLAMP

MATERIAL: NYLON 66(UL)
 FLAME CLASS: 94V-2
 COLOR: NATURAL
 ADHESIVE TAPE: 3M
 ALSO CAN BE FASTENED
 WITH M3 SCREW



PART NO	A	B	C	SUITABLE CABLE	PACKAGE
FCM-25H	24.8	31.0	3.6	16 PIN	200

6-40-3

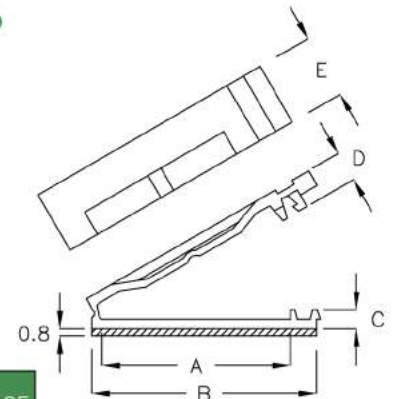


排線固定板 FLAT CABLE CLAMP

MATERIAL: NYLON 66(UL)
 FLAME CLASS: 94V-2
 COLOR: NATURAL
 ADHESIVE TAPE: 3M

WITH LOCK FEATURE

PART NO	A	B	C	D	E	SUITABLE CABLE	PACKAGE
FCM-25S	22.0	28.0	3.0	4.7	10.0	15 PIN	200
FCM-25	29.3	36.5	3.0	4.7	10.0	20 PIN	
FCM-25M	55.8	61.2	4.0	4.7	15.0	40 PIN	100

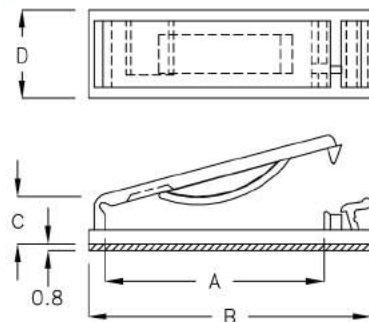


6-41-1



排線固定板 FLAT CABLE CLAMP

MATERIAL: NYLON 66(UL)
FLAME CLASS: 94V-2
COLOR: NATURAL
ADHESIVE TAPE: 3M



WITH LOCK FEATURE

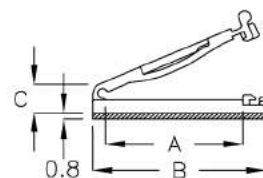
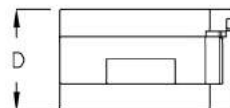
PART NO	A	B	C	D	SUITABLE CABLE	PACKAGE
FCD-25	31.5	40.7	6.8	12.7	25 PIN	100
FCD-40	52.0	61.2	6.9	12.7	40 PIN	

6-41-2



排線固定板 FLAT CABLE CLAMP

MATERIAL: NYLON 66(UL)
FLAME CLASS: 94V-2
COLOR: BLACK
ADHESIVE TAPE: 3M



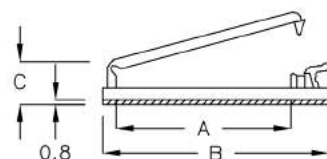
PART NO	A	B	C	D	SUITABLE CABLE	PACKAGE
FDQ-18	17.5	22.0	3.9	13.0	13 PIN	500

6-41-3



排線固定板 FLAT CABLE CLAMP

MATERIAL: NYLON 66(UL)
FLAME CLASS: 94V-2
COLOR: NATURAL
ADHESIVE TAPE: 3M



WITH LOCK FEATURE

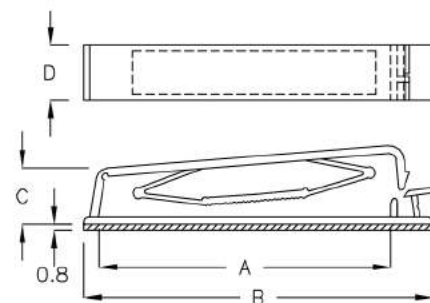
PART NO	A	B	C	D	SUITABLE CABLE	PACKAGE
FCD-17	17.0	26.2	6.6	12.7	13 PIN	200
FCD-19A	19.0	28.0	5.8	10.0	13 PIN	
FCD-25A	31.1	40.4	7.9	12.7	25 PIN	100
FCD-31AN	31.0	39.5	7.5	12.7	25 PIN	
FCD-27	27.0	36.0	10.8	12.7	20 PIN	
FCD-27C	27.0	36.0	13.8	12.7	20 PIN	
FCD-27F	27.0	36.0	16.5	15.0	20 PIN	
FCD-40H	52.0	61.2	7.6	12.7	40 PIN	
FCD-50	50.0	59.0	10.8	12.7	40 PIN	
FCD-60H	62.8	72.2	7.9	12.9	60 PIN	



排線固定板 FLAT CABLE CLAMP

MATERIAL: NYLON 66(UL)
 FLAME CLASS: 94V-2
 COLOR: NATURAL
 ADHESIVE TAPE: 3M

* 加中隔板
 * WITH ISOLATE BOARD



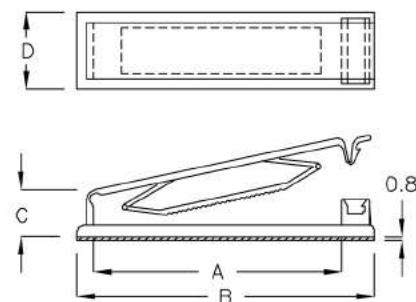
WITH LOCK FEATURE

PART NO	A	B	C	D	SUITABLE CABLE	PACKAGE
FCC-25C	31.8	45.0	15.2	19.0	25 PIN	100
* FCC-25K	31.3	40.7	6.4	10.0	25 PIN	
FCC-30	32.0	45.0	15.8	18.6	30 PIN	
FCC-40	54.0	67.0	15.8	15.8	40 PIN	
FCC-40C	53.8	66.0	12.0	10.2	40 PIN	
* FCC-41	54.0	67.0	15.8	15.8	40 PIN	
* FCC-41A	53.7	66.7	16.1	12.8	40 PIN	
FCC-50	65.2	78.3	15.8	18.8	50 PIN	
FCC-50F	63.7	76.2	15.1	19.0	50 PIN	
FCC-64	83.5	97.5	15.8	16.0	64 PIN	



排線固定板 FLAT CABLE CLAMP

MATERIAL: NYLON 66(UL)
 FLAME CLASS: 94V-2
 COLOR: NATURAL
 ADHESIVE TAPE: 3M



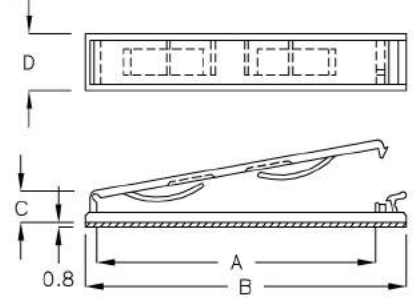
WITH LOCK FEATURE

PART NO	A	B	C	D	SUITABLE CABLE	PACKAGE
FWY-50	64.0	77.0	11.8	20.0	50 PIN	100



排線固定板 FLAT CABLE CLAMP

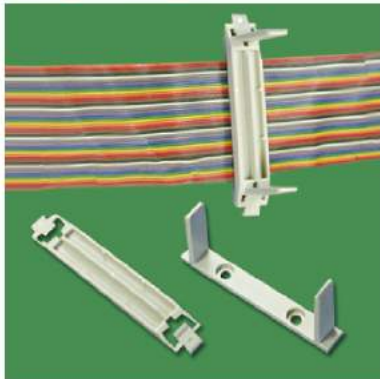
MATERIAL: NYLON 66(UL)
 FLAME CLASS: 94V-2
 COLOR: NATURAL
 ADHESIVE TAPE: 3M



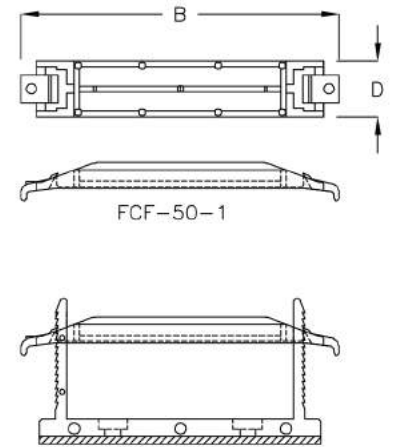
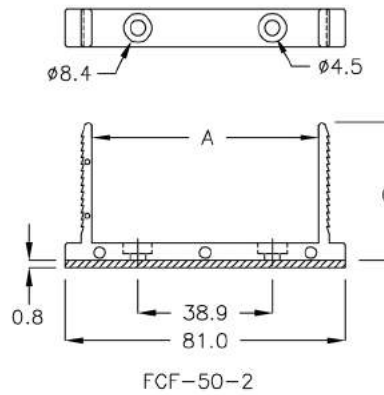
WITH LOCK FEATURE

PART NO	A	B	C	D	SUITABLE CABLE	PACKAGE
FCD-60A	62.8	72.2	7.1	12.9	45 PIN	100

排線固定板 FLAT CABLE CLAMP

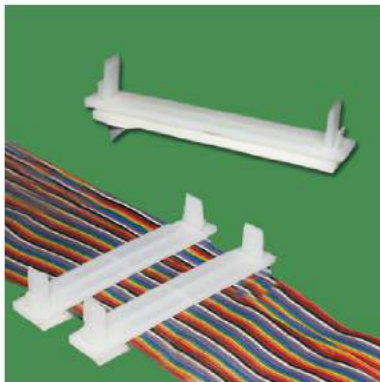


MATERIAL: NYLON 66(UL)
 FLAME CLASS: 94V-2
 COLOR: NATURAL
 ADHESIVE TAPE: 3M
 ALSO CAN BE FASTENED WITH M4 SCREW

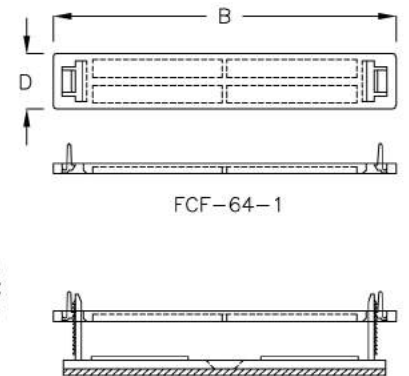
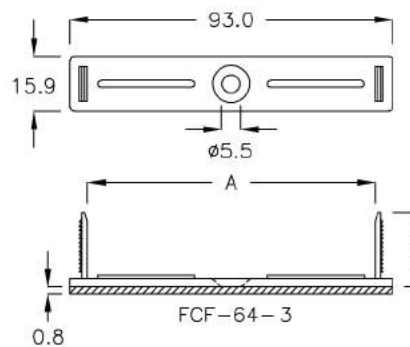


PART NO	A	B	C	D	SUITABLE CABLE	PACKAGE
FCF-50	65.4	91.8	40.3	16.0	50 PIN X30	100

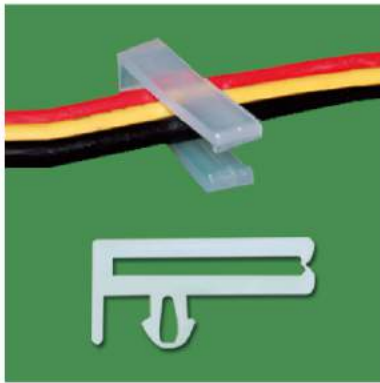
排線固定板 FLAT CABLE CLAMP



MATERIAL: NYLON 66(UL)
 FLAME CLASS: 94V-2
 COLOR: NATURAL
 ADHESIVE TAPE: 3M
 ALSO CAN BE FASTENED WITH M5 SCREW



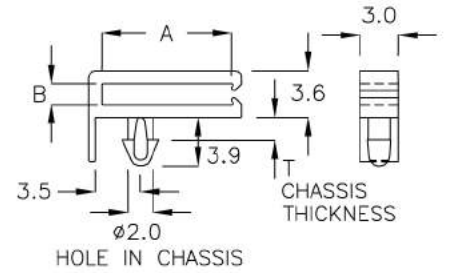
PART NO	A	B	C	D	SUITABLE CABLE	PACKAGE
FCF-64	83.0	99.2	22.0	15.9	64 PIN X12	100



隔離束線座 WIRE SADDLE

MATERIAL: NYLON 66(UL)
FLAME CLASS: 94V-2
COLOR: NATURAL

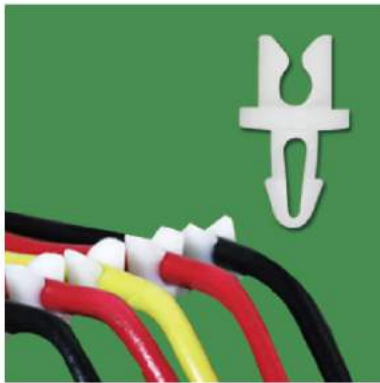
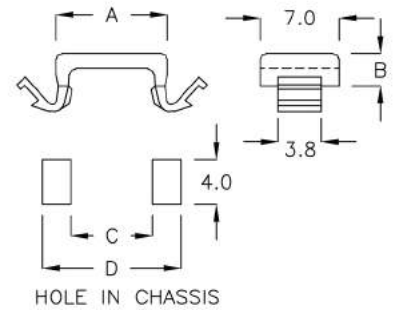
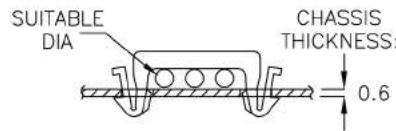
PART NO	A	B	T CHASSIS THICKNESS	PACKAGE
CID-01	10.0	1.6	1.6	2000



電線固定座 WIRE MOUNT

MATERIAL: NYLON 66(UL)
FLAME CLASS: 94V-2
COLOR: NATURAL

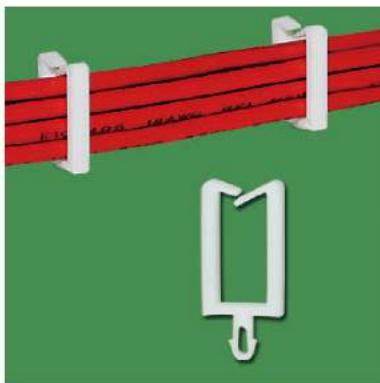
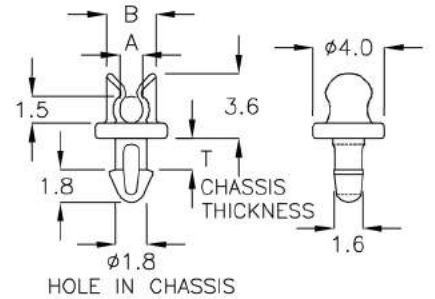
PART NO	A	B	C	D	SUITABLE DIA	PACKAGE
FBF-01	9.9	2.9	7.3	12.3	φ1.5X3	2000
FBF-3A	9.9	3.75	7.3	12.3	φ2.0X3	
FBF-4C	11.9	3.75	9.3	14.3	φ2.0X4	



電線固定座 WIRE SADDLE

MATERIAL: NYLON 66(UL)
FLAME CLASS: 94V-2
COLOR: NATURAL

PART NO	A	B	T CHASSIS THICKNESS	PACKAGE
CSF-1KC	1.3	2.8	1.6	2000

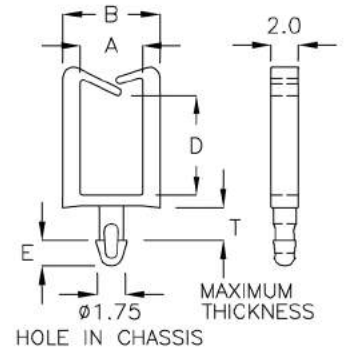


隔離束線座 WIRE SADDLE

MATERIAL: NYLON 66(UL)
FLAME CLASS: 94V-2
COLOR: NATURAL

NEW

PART NO	A	B	D	E	T MAXIMUM THICKNESS	PACKAGE
★ CHT-4GF	4.3	6.7	8.5	1.75	2.2	2000

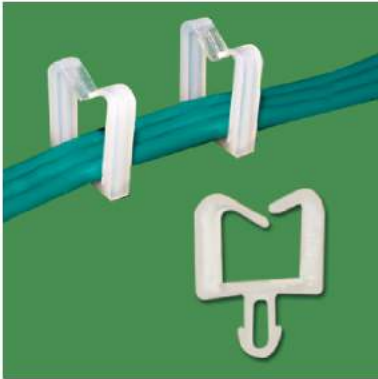
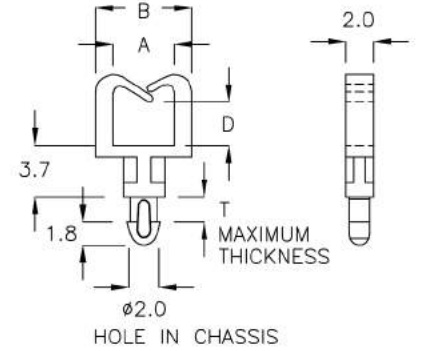




隔離束線座 WIRE SADDLE

MATERIAL: NYLON 66(UL)
FLAME CLASS: 94V-2
COLOR: NATURAL

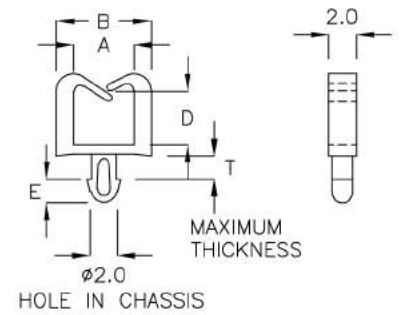
PART NO	A	B	D	T MAXIMUM THICKNESS	PACKAGE
CMC-3A	4.4	6.9	3.1	1.6	2000



隔離束線座 WIRE SADDLE

MATERIAL: NYLON 66(UL)
FLAME CLASS: 94V-2
COLOR: NATURAL

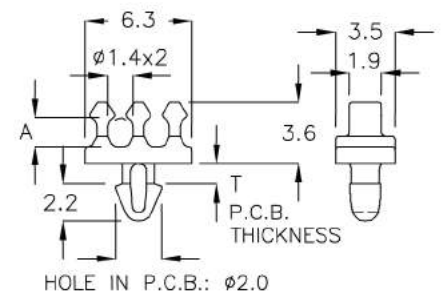
PART NO	A	B	D	E	T MAXIMUM THICKNESS	PACKAGE
CH-01F	4.4	6.9	4.3	1.9	1.6	2000
CH-01H	5.2	7.7	7.65	1.9	1.6	
CH-01K	3.3	5.7	4.7	1.9	1.6	
CH-1MR	3.4	5.8	3.6	1.8	1.2	
CH-02F	4.4	6.9	3.9	1.9	2.5	

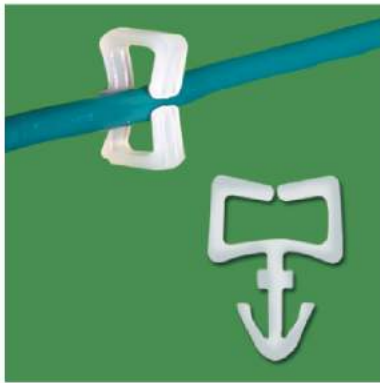


電線固定座 WIRE MOUNT

MATERIAL: NYLON 66(UL)
FLAME CLASS: 94V-2
COLOR: NATURAL

PART NO	A	T P.C.B. THICKNESS	PACKAGE
CMRW-6K	1.8	1.0	2000

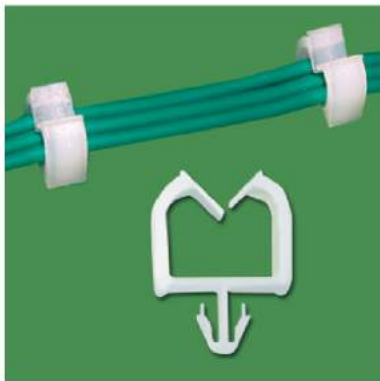
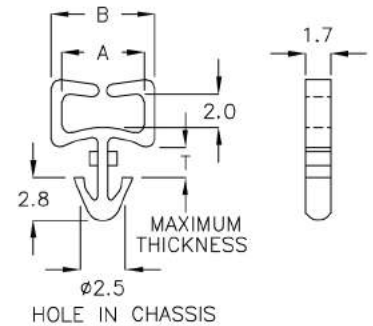




電線固定座 WIRE SADDLE

MATERIAL: NYLON 66(UL)
FLAME CLASS: 94V-2
COLOR: NATURAL

PART NO	A	B	T MAXIMUM THICKNESS	PACKAGE
CJA-1A	5.4	6.8	2.0	2000

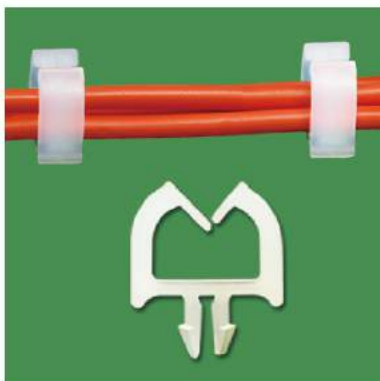
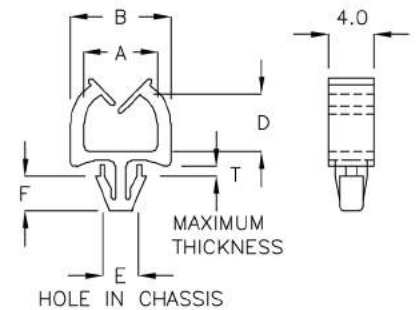


隔離束線座 WIRE SADDLE

MATERIAL: NYLON 66(UL)
FLAME CLASS: 94V-2
COLOR: NATURAL



PART NO	A	B	D	E HOLE IN CHASSIS	F	UL	T MAXIMUM THICKNESS	PACKAGE
CH-1HK	8.2	10.6	6.9	φ2.75	3.0		1.6	2000
CH-01B	8.2	10.6	6.9	φ3.0	3.1		1.6	
CH-1BK	8.3	10.7	6.9		2.1		1.6	
CH-01C	7.4	10.0	5.0		2.2		1.6	
CH-1FW	6.8	9.3	5.0		2.8		1.6	
CH-01M	6.5	9.0	5.0		3.1	UL	0.8	
CH-01P	7.4	10.0	5.3		2.2		2.0	
CH-1PD	10.6	13.0	6.0		2.5		1.6	
CH-01U	8.3	10.7	7.0	2.5		1.6		
CH-01Q	6.6	9.0	4.9	φ3.5	3.0		1.0	
CH-01W	6.6	9.0	4.5		3.2		1.8	
CH-01N	9.0	11.6	5.3		2.7		1.2	

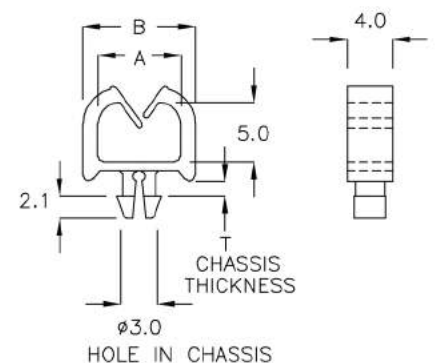


隔離束線座 WIRE SADDLE

MATERIAL: NYLON 66(UL)
FLAME CLASS: 94V-2
COLOR: NATURAL



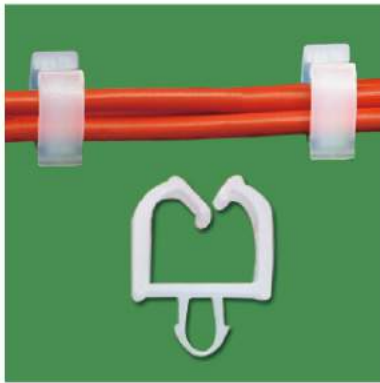
PART NO	A	B	T CHASSIS THICKNESS	PACKAGE
CH-01S	7.4	10.0	1.2~1.6	2000



線材固定, 線材隔離 CABLE CLAMP, SADDLE

PINGOOD

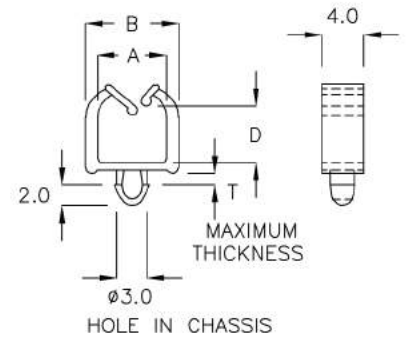
6-47-1



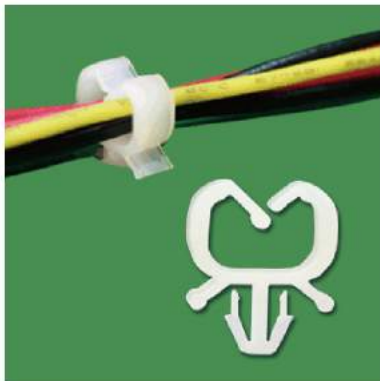
隔離束線座 WIRE SADDLE

MATERIAL: NYLON 66(UL)
FLAME CLASS: 94V-2
COLOR: NATURAL

PART NO	A	B	D	T MAXIMUM THICKNESS	PACKAGE
CH-01A	6.7	9.0	5.5	1.2	2000
CH-01J	6.7	9.0	5.0	1.6	
CH-1AM	6.7	9.2	5.45	0.8	



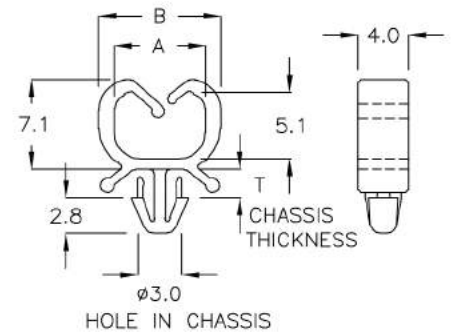
6-47-2



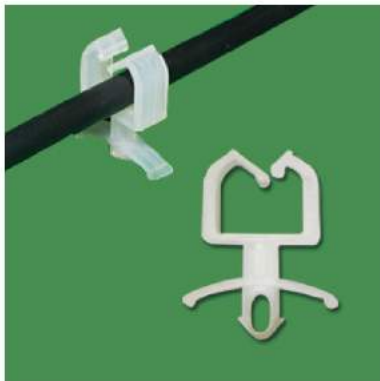
隔離束線座 WIRE SADDLE

MATERIAL: NYLON 66(UL)
FLAME CLASS: 94V-2
COLOR: NATURAL

PART NO	A	B	T CHASSIS THICKNESS	PACKAGE
CZC-7D	7.2	9.7	0.6~1.6	1000



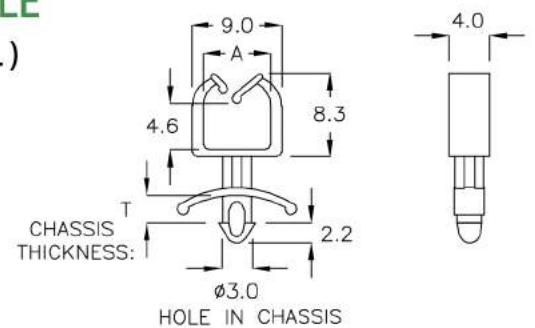
6-47-3



隔離束線座 WIRE SADDLE

MATERIAL: NYLON 66(UL)
FLAME CLASS: 94V-2
COLOR: NATURAL

PART NO	A	T CHASSIS THICKNESS	PACKAGE
CMA-4A	6.7	1.0~2.0	1000



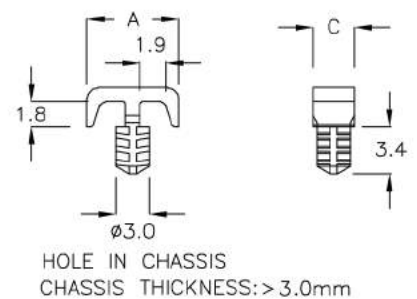
6-47-4



電線固定座 WIRE MOUNT

MATERIAL: NYLON 66(UL)
FLAME CLASS: 94V-2
COLOR: NATURAL

PART NO	A	C	PACKAGE
PCS-4A	6.6	5.0	2000
PCS-5A	6.6	3.0	



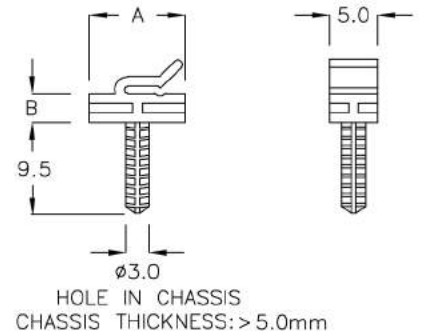
6-48-1



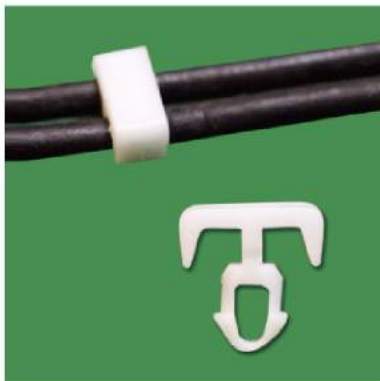
電線固定座 WIRE MOUNT

MATERIAL: NYLON 66(UL)
FLAME CLASS: 94V-2
COLOR: NATURAL

PART NO	A	B	PACKAGE
PCS-6A	10.0	3.0	2000



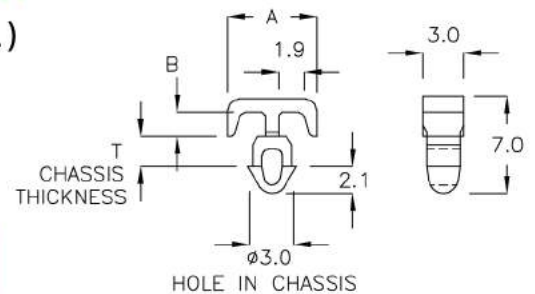
6-48-2



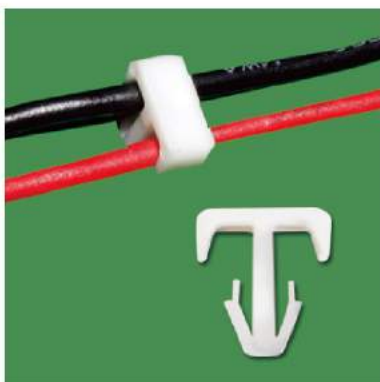
電線固定座 WIRE MOUNT

MATERIAL: NYLON 66(UL)
FLAME CLASS: 94V-2
COLOR: NATURAL

PART NO	A	B	T CHASSIS THICKNESS	PACKAGE
PCS-1A	6.6	1.8	2.0	2000



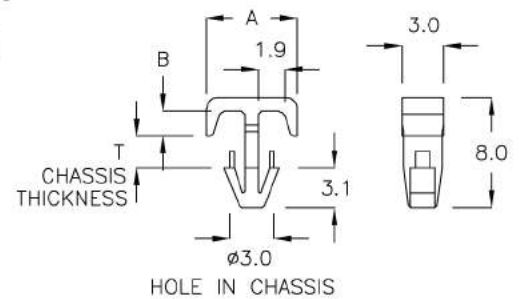
6-48-3



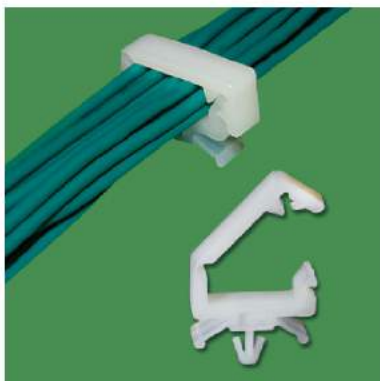
電線固定座 WIRE MOUNT

MATERIAL: NYLON 66(UL)
FLAME CLASS: 94V-2
COLOR: NATURAL

PART NO	A	B	T CHASSIS THICKNESS	PACKAGE
PCS-3A	6.6	1.8	2.0	2000



6-48-4

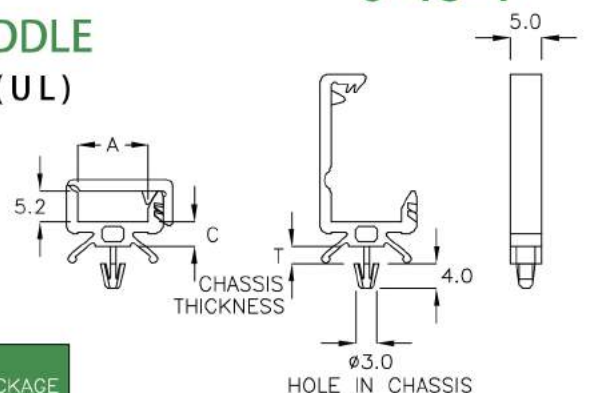


隔離束線座 WIRE SADDLE

MATERIAL: NYLON 66(UL)
FLAME CLASS: 94V-2
COLOR: NATURAL

WITH LOCK FEATURE

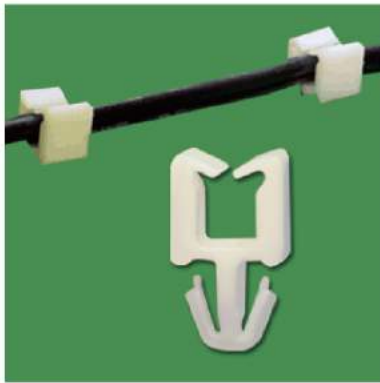
PART NO	A	C	T CHASSIS THICKNESS	PACKAGE
CHR-05	11.1	4.0	0.6~2.5	500



線材固定, 線材隔離 CABLE CLAMP, SADDLE

PINGOOD

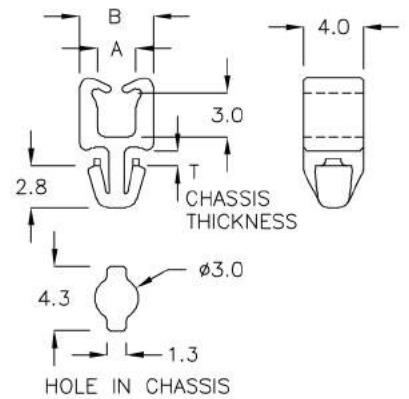
6-49-1



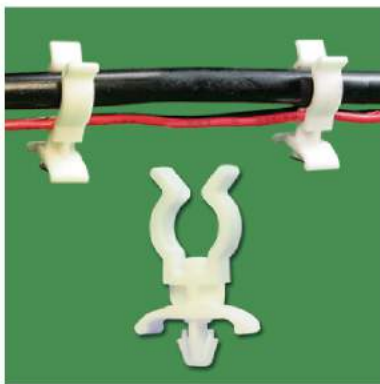
隔離束線座 WIRE SADDLE

MATERIAL: NYLON 66(UL)
FLAME CLASS: 94V-2
COLOR: NATURAL

PART NO	A	B	T CHASSIS THICKNESS	PACKAGE
CZH-2H	2.6	5.0	0.8~1.0	2000



6-49-2

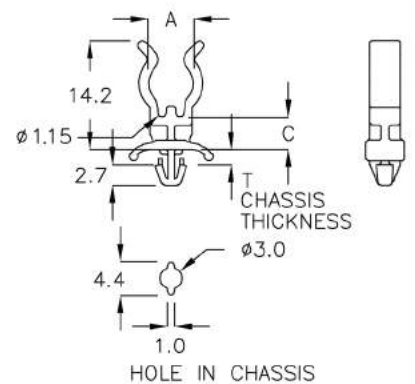


隔離束線座 WIRE SADDLE

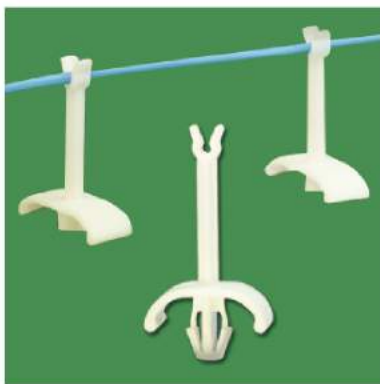
MATERIAL: NYLON 66(UL)
FLAME CLASS: 94V-2
COLOR: NATURAL

Built-In Anti-Spin Function

PART NO	A	C	T CHASSIS THICKNESS	PACKAGE
TDD-4PA	6.0	4.2	0.6~1.6	500



6-49-3

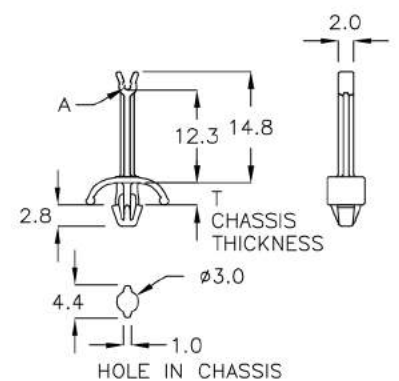


隔離束線座 WIRE SADDLE

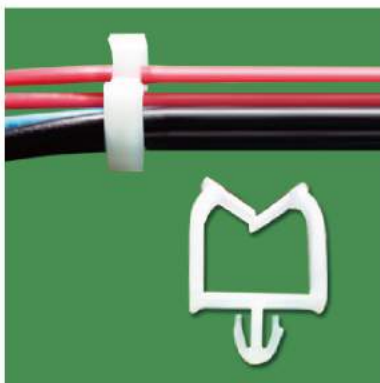
MATERIAL: NYLON 66(UL)
FLAME CLASS: 94V-2
COLOR: NATURAL

Built-In Anti-Spin Function

PART NO	A	T CHASSIS THICKNESS	PACKAGE
TDF-12CM	∅1.0	1.6~2.4	500



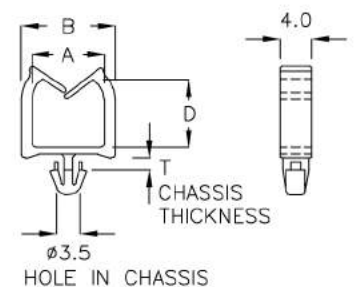
6-49-4



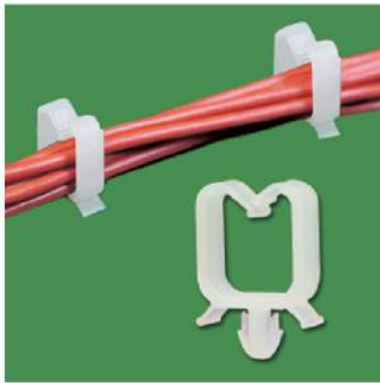
隔離束線座 WIRE SADDLE

MATERIAL: NYLON 66(UL)
FLAME CLASS: 94V-2
COLOR: NATURAL

PART NO	A	B	D	T CHASSIS THICKNESS	PACKAGE
CH-01Y	8.8	12.0	8.5	1.0~1.6	2000



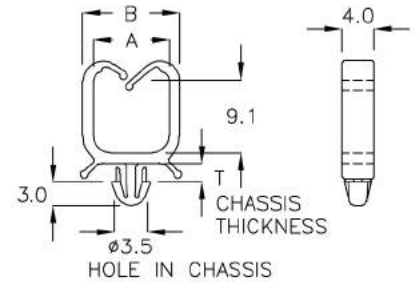
6-50-1



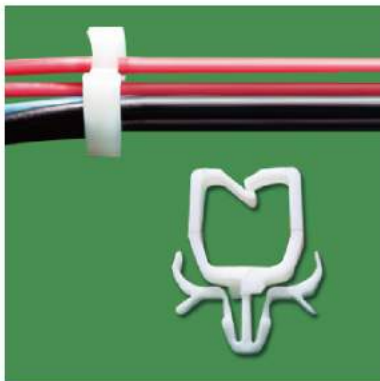
隔離束線座 WIRE SADDLE

MATERIAL: NYLON 66(UL)
FLAME CLASS: 94V-2
COLOR: NATURAL

PART NO	A	B	T CHASSIS THICKNESS	PACKAGE
CZB-9C	9.5	12.1	0.6~1.6	500



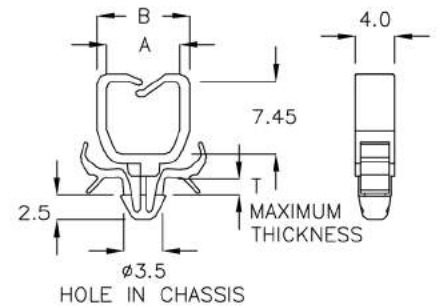
6-50-2



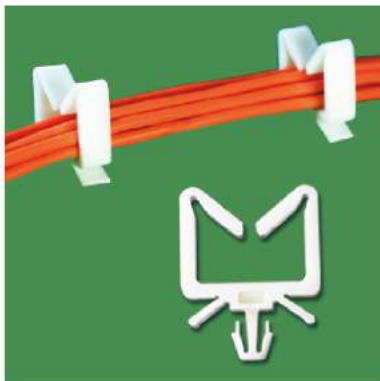
隔離束線座 WIRE SADDLE

MATERIAL: NYLON 66(UL)
FLAME CLASS: 94V-2
COLOR: NATURAL

PART NO	A	B	T MAXIMUM THICKNESS	PACKAGE
CZA-7A	7.5	9.5	1.5	1000



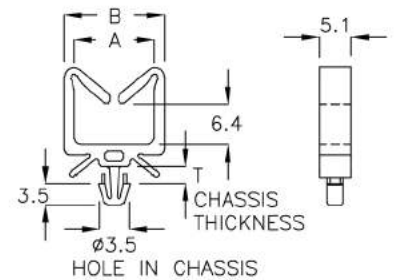
6-50-3



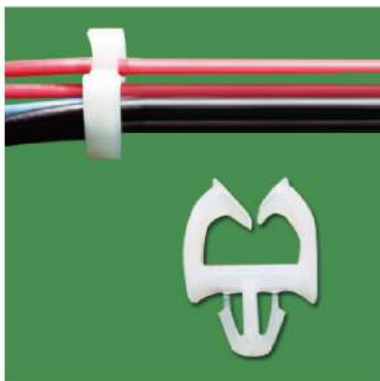
隔離束線座 WIRE SADDLE

MATERIAL: NYLON 66(UL)
FLAME CLASS: 94V-2
COLOR: NATURAL

PART NO	A	B	T CHASSIS THICKNESS	PACKAGE
CZR-12A	12.8	16.0	1.2~2.0	500



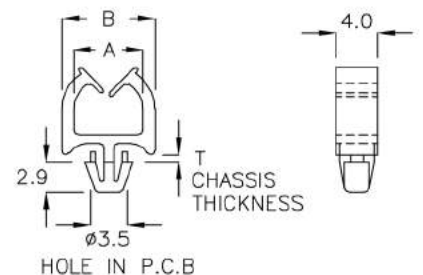
6-50-4

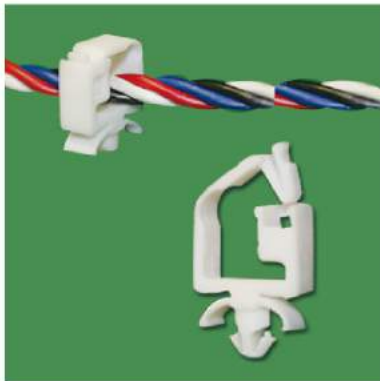


隔離束線座 WIRE SADDLE

MATERIAL: NYLON 66(UL)
FLAME CLASS: 94V-2
COLOR: NATURAL

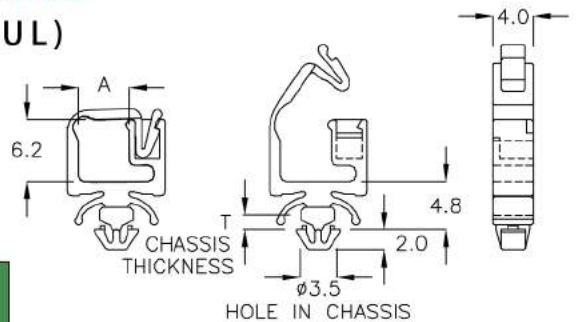
PART NO	A	B	T CHASSIS THICKNESS	PACKAGE
CH-1QF	6.6	9.0	0.8~1.0	2000





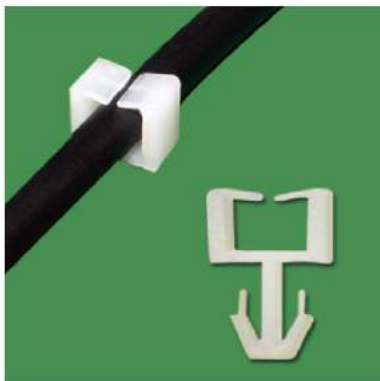
隔離束線座 WIRE SADDLE

MATERIAL: NYLON 66(UL)
FLAME CLASS: 94V-2
COLOR: NATURAL



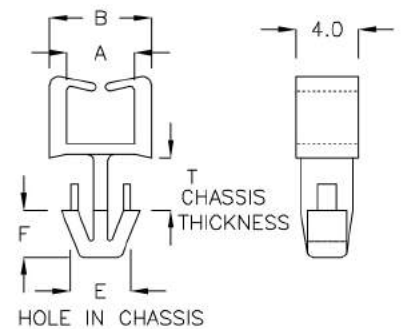
WITH LOCK FEATURE

PART NO	A	T CHASSIS THICKNESS	PACKAGE
CZF-6A	5.1	0.8~2.0	1000



隔離束線座 WIRE SADDLE

MATERIAL: NYLON 66(UL)
FLAME CLASS: 94V-2
COLOR: NATURAL

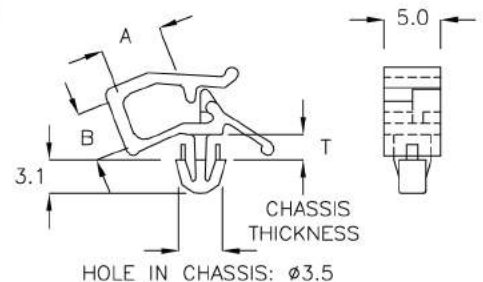


PART NO	A	B	T CHASSIS THICKNESS	E HOLE IN CHASSIS	F	PACKAGE
CH-01L	4.3	6.5	2.8~3.0	3.5	3.0	2000
CH-1LA	4.3	6.5	0.9~1.1	3.6	3.0	
CH-1LB	4.3	6.5	3.8~4.0	3.6	3.0	
CH-01D	4.5	6.5	4.0~4.4	3.5	3.1	
CH-1KP	4.3	6.5	0.9~1.1	3.6	3.0	



隔離束線座 WIRE SADDLE

MATERIAL: NYLON 66(UL)
FLAME CLASS: 94V-2
COLOR: NATURAL

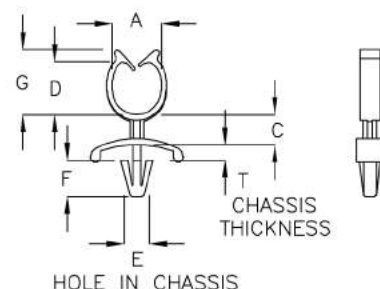


PART NO	A	B	T CHASSIS THICKNESS	PACKAGE
CH-03	5.5	4.3	1.2~2.0	1000
CH-03F	4.2	2.6	1.6~2.4	
CH-03S	4.2	2.8	1.2~2.0	



隔離束線座 WIRE SADDLE

MATERIAL: NYLON 66(UL)
FLAME CLASS: 94V-2
COLOR: NATURAL

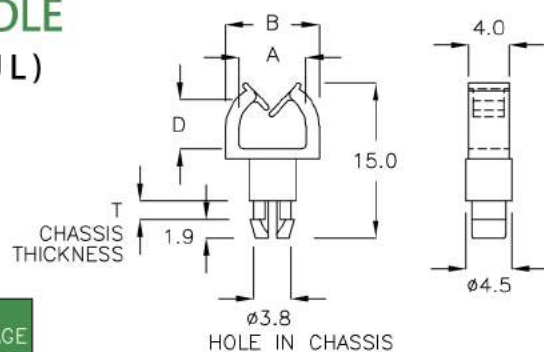


PART NO	A	C	D	E HOLE IN CHASSIS	F	G	T CHASSIS THICKNESS	PACKAGE
TDA-4A	7.4	4.5	8.0	ø3.3	5.5	9.7	0.8~1.8	500
TDA-10	5.6	10.0	5.2	ø3.5	4.0	7.0	0.8~1.6	
TDA-10F	5.6	10.0	5.2	ø3.5	4.0	7.0	1.4~2.2	
TDA-13	7.4	13.0	8.0	ø3.5	4.2	9.7	0.6~1.6	
TDA-13C	7.4	13.0	8.0	ø3.5	3.1	9.7	0.6~1.6	

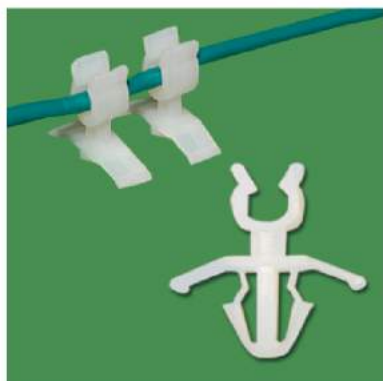


隔離束線座 WIRE SADDLE

MATERIAL: NYLON 66(UL)
FLAME CLASS: 94V-2
COLOR: NATURAL

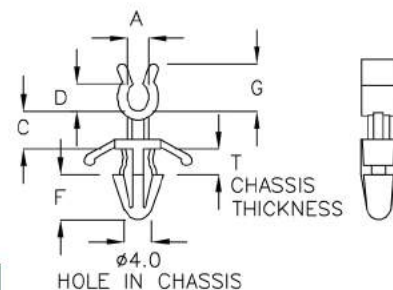


PART NO	A	B	T CHASSIS THICKNESS	D	PACKAGE
CH-04A	6.5	9.1	1.4~1.6	4.8	1000



隔離束線座 WIRE SADDLE

MATERIAL: NYLON 66(UL)
FLAME CLASS: 94V-2
COLOR: NATURAL

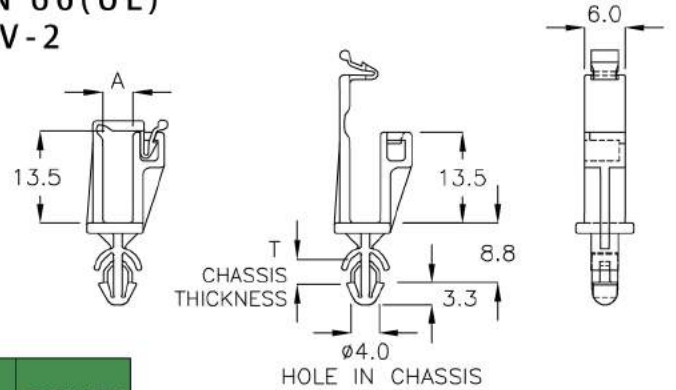


PART NO	A	C	D	F	G	T CHASSIS THICKNESS	PACKAGE
CS-04A	2.3	4.0	2.9	4.9	5.0	1.6~2.4	1000
CS-04C	2.0	4.5	2.0	4.8	5.0	1.6~2.4	
CS-10D	3.6	8.0	4.1	5.0	6.0	0.8~1.0	500



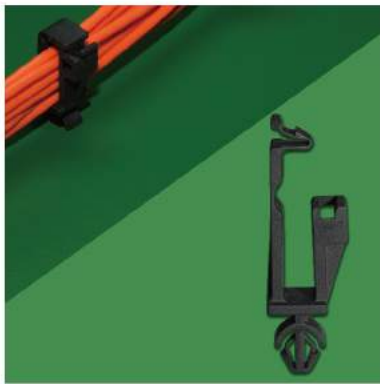
隔離束線座 WIRE SADDLE

MATERIAL: NYLON 66(UL)
FLAME CLASS: 94V-2
COLOR: NATURAL



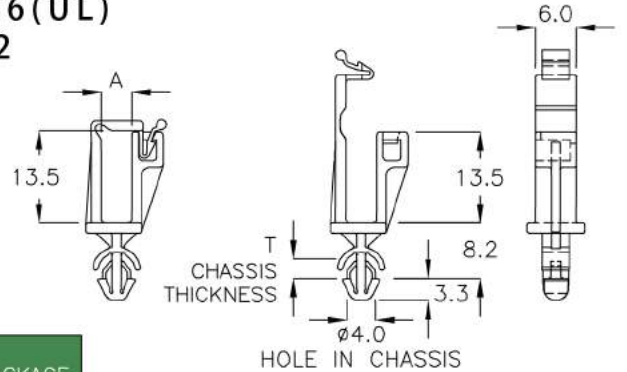
WITH LOCK FEATURE

PART NO	A	T CHASSIS THICKNESS	PACKAGE
CZS-4RK	4.5	2.7~3.6	500



隔離束線座 WIRE SADDLE

MATERIAL: NYLON 66(UL)
FLAME CLASS: 94V-2
COLOR: BLACK



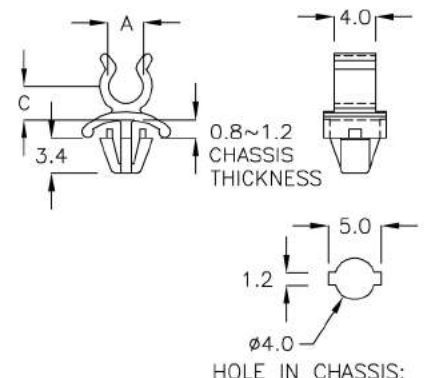
WITH LOCK FEATURE

PART NO	A	T CHASSIS THICKNESS	PACKAGE
CZS-4FG	4.5	2.0~2.7	500



隔離束線座 WIRE SADDLE

MATERIAL: NYLON 66(UL)
FLAME CLASS: 94V-2
COLOR: NATURAL



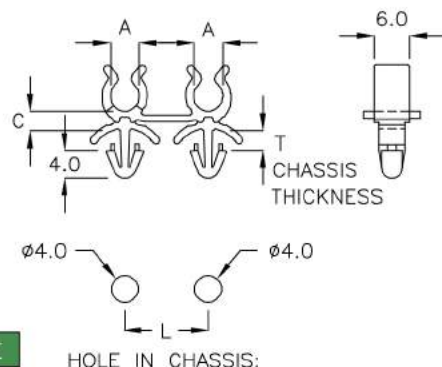
Built -In Anti-Spin Function

PART NO	A	C	PACKAGE
CS-01C	φ3.3	3.2	2000
CS-1DK	φ4.2	3.4	



隔離束線座 WIRE SADDLE

MATERIAL: NYLON 66(UL)
FLAME CLASS: 94V-2
COLOR: NATURAL

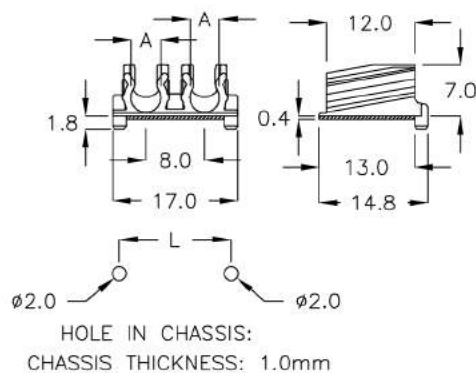


PART NO	A	C	L	T	PACKAGE
2CS-2WQ	3.95	2.8	12.0	1.0~1.5	500
2CS-2YR	3.95	2.85	13.5	1.0~2.0	

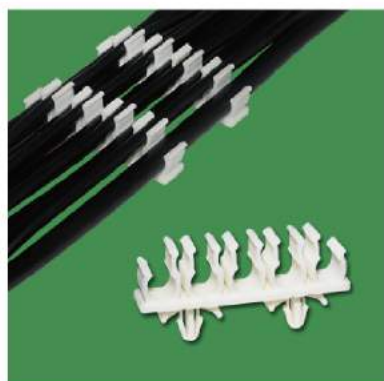


電線固定座 WIRE MOUNT

MATERIAL: NYLON 66(UL)
FLAME CLASS: 94V-2
COLOR: NATURAL
ADHESIVE TAPE: 3M

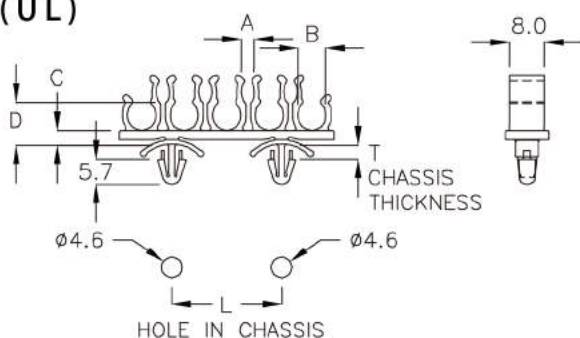


PART NO	A	L	PACKAGE
CMZ-17K	4.0	15.2	500

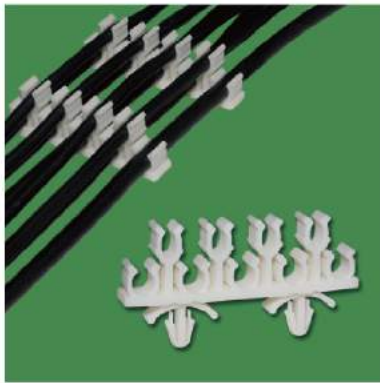


隔離束線座 WIRE SADDLE

MATERIAL: NYLON 66(UL)
FLAME CLASS: 94V-2
COLOR: NATURAL

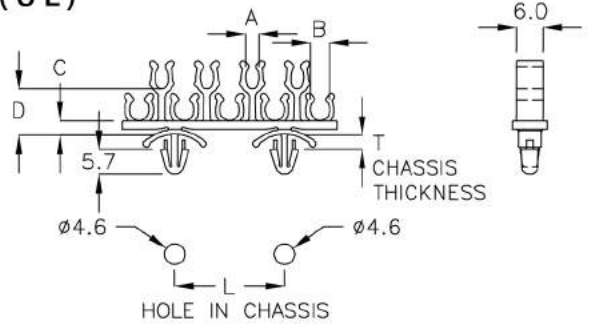


PART NO	A	B	C	D	L	T CHASSIS THICKNESS	PACKAGE
CTX-49DW	3.0	6.3	3.3	9.75	25.0	0.8~2.0	200

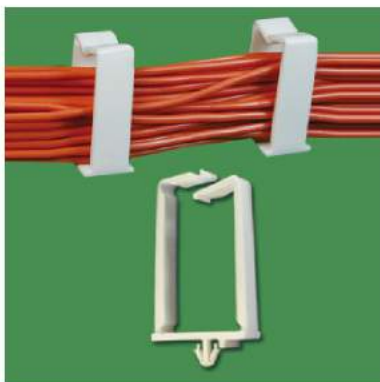


隔離束線座 WIRE SADDLE

MATERIAL: NYLON 66(UL)
FLAME CLASS: 94V-2
COLOR: NATURAL

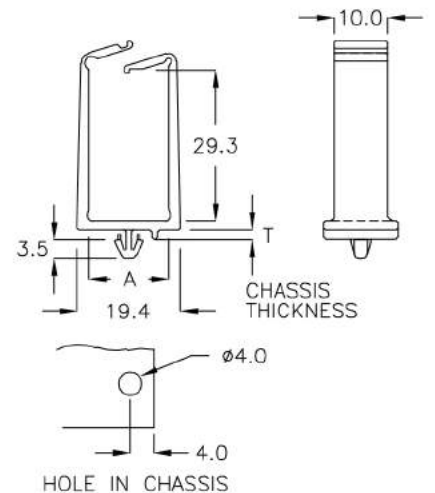


PART NO	A	B	C	D	L	T CHASSIS THICKNESS	PACKAGE
CTX-49RC	3.0	4.4	3.3	10.5	25.0	0.8~2.0	200



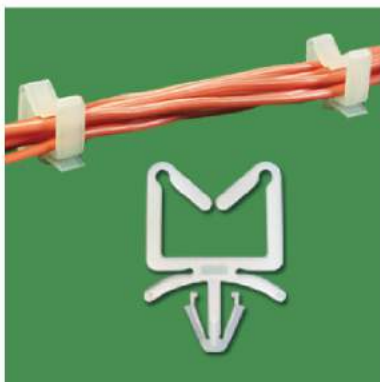
隔離束線座 WIRE SADDLE

MATERIAL: NYLON 66(UL)
FLAME CLASS: 94V-2
COLOR: NATURAL



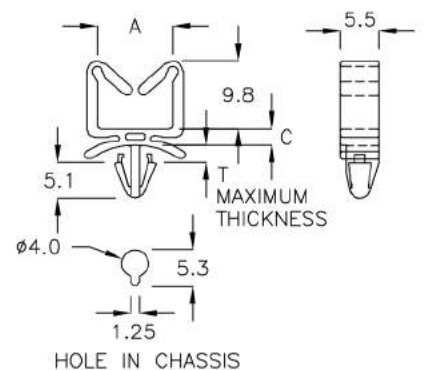
Built-In Anti-Spin Function

PART NO	A	T CHASSIS THICKNESS	PACKAGE
CMK-15Q	15.0	1.4~1.7	100



隔離束線座 WIRE SADDLE

MATERIAL: NYLON 66(UL)
FLAME CLASS: 94V-2
COLOR: NATURAL



Built-In Anti-Spin Function

PART NO	A	C	T MAXIMUM THICKNESS	PACKAGE
CZL-10JY	10.9	2.55	1.6	500

線材固定, 線材隔離 CABLE CLAMP, SADDLE

PINGOOD

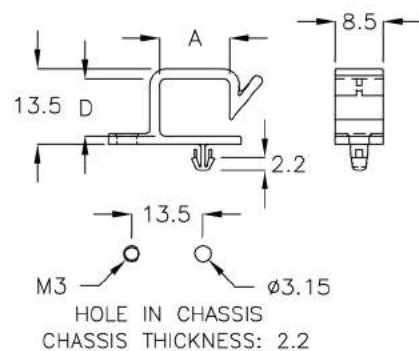
6-56-1



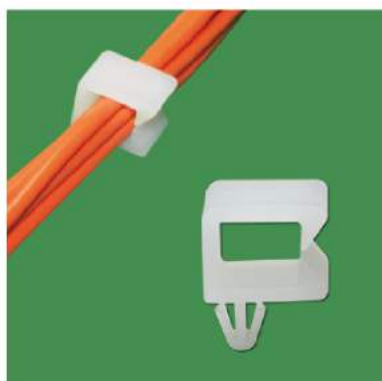
隔離束線座 WIRE SADDLE

MATERIAL: NYLON 66(UL)
FLAME CLASS: 94V-2
COLOR: BLACK

PART NO	A	D	PACKAGE
CUK-12ST	12.4	10.2	500



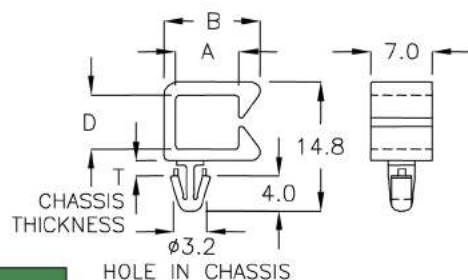
6-56-2



隔離束線座 WIRE SADDLE

MATERIAL: NYLON 66(UL)
FLAME CLASS: 94V-2
COLOR: NATURAL

PART NO	A	B	D	T CHASSIS THICKNESS	PACKAGE
CBG-6PK	7.3	11.0	6.2	1.6	1000



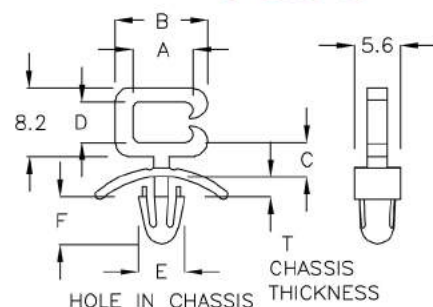
6-56-3



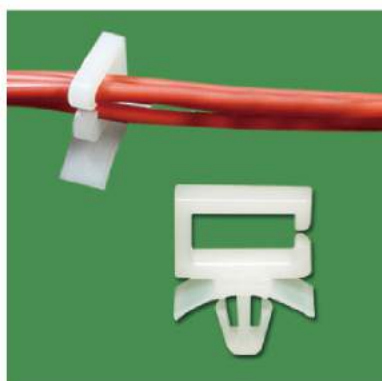
隔離束線座 WIRE SADDLE

MATERIAL: NYLON 66(UL)
FLAME CLASS: 94V-2
COLOR: NATURAL

PART NO	A	B	C	D	E	F	T CHASSIS THICKNESS	PACKAGE
CHM-01	7.3	11.3	4.4	4.8	Ø4.5	6.0	0.8~1.8	500



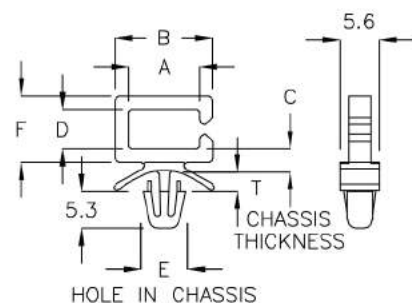
6-56-4

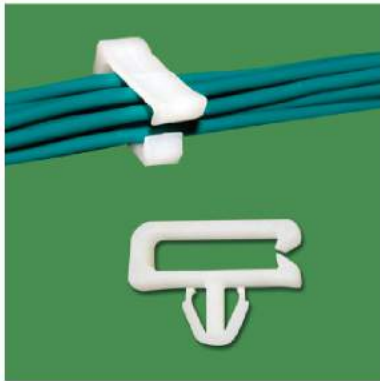


隔離束線座 WIRE SADDLE

MATERIAL: NYLON 66(UL)
FLAME CLASS: 94V-2
COLOR: NATURAL

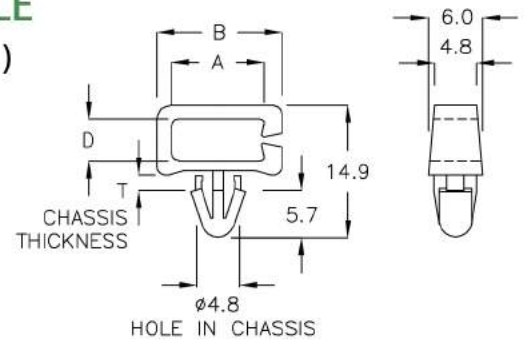
PART NO	A	B	C	D	E	F	T CHASSIS THICKNESS	PACKAGE
CUH-10A	10.2	14.0	3.35	5.6	Ø4.75	9.5	0.8~1.6	500





隔離束線座 WIRE SADDLE

MATERIAL: NYLON 66(UL)
FLAME CLASS: 94V-2
COLOR: NATURAL

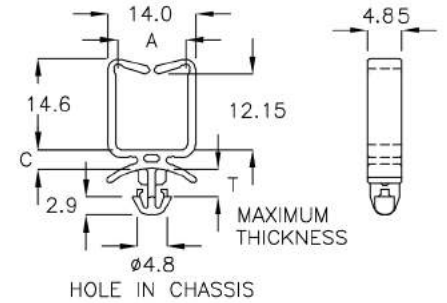


PART NO	A	B	D	T CHASSIS THICKNESS	PACKAGE
CH-02	10.2	14.2	4.6	0.8~1.2	1000

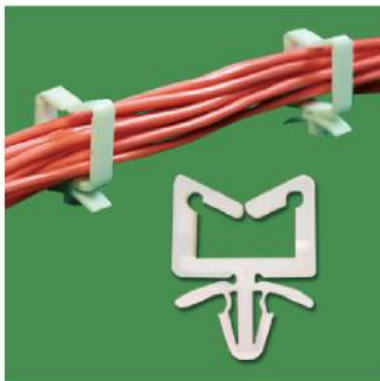


隔離束線座 WIRE SADDLE

MATERIAL: NYLON 66(UL)
FLAME CLASS: 94V-2
COLOR: NATURAL

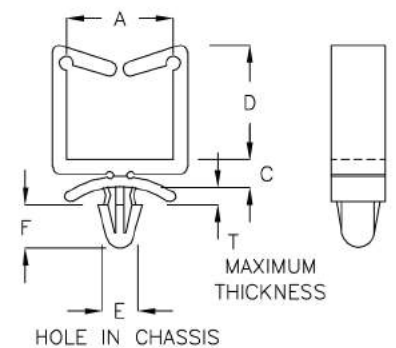


PART NO	A	C	T MAXIMUM THICKNESS	PACKAGE
CZM-11F	11.6	3.15	3.5	500



隔離束線座 WIRE SADDLE

MATERIAL: NYLON 66(UL)
FLAME CLASS: 94V-2
COLOR: NATURAL

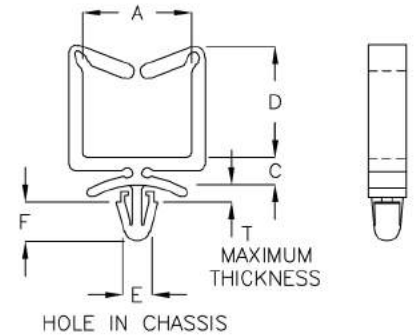


PART NO	A	C	D	E	F	T MAXIMUM THICKNESS	PACKAGE
CH-05	10.9	4.1	9.7	∅4.8	5.9	1.9	500
CH-10	11.0	3.9	15.0	∅4.8	5.8	1.9	
CH-10A	10.9	4.1	11.2	∅4.8	2.8	2.0	
CH-10L	11.0	3.7	23.7	∅4.8	5.6	2.1	
CH-14	14.6	4.1	15.1	∅5.0	6.2	2.1	
CH-14A	14.6	4.0	15.5	∅5.0	4.2	3.0	
CH-16	15.9	4.1	16.4	∅5.0	5.9	2.1	
CH-29	23.0	4.8	15.9	∅5.0	6.2	1.8	

隔離束線座 WIRE SADDLE

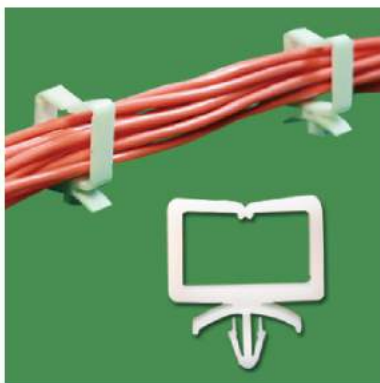


MATERIAL: NYLON 66(UL)
FLAME CLASS: 94V-2
COLOR: NATURAL, BLACK

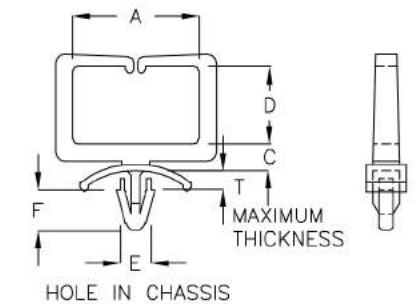


PART NO	A	C	D	E	F	T MAXIMUM THICKNESS	PACKAGE
CH-16A	15.7	4.0	15.9	Ø4.8	5.7	2.1	500

隔離束線座 WIRE SADDLE



MATERIAL: NYLON 66(UL)
FLAME CLASS: 94V-2
COLOR: NATURAL



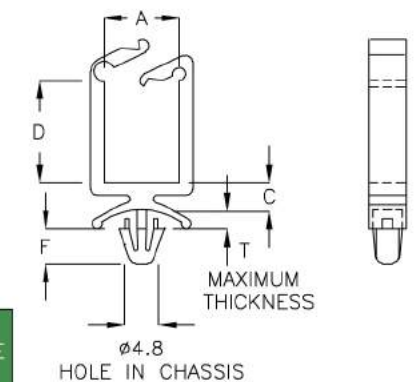
UL® E154548(S)
 CH-30(N66 94V-0) UL:E154548(S)

PART NO	A	C	D	E	F	T MAXIMUM THICKNESS	PACKAGE
CH-30	22.7	4.8	16.0	Ø5.0	7.1	3.2	200

隔離束線座 WIRE SADDLE



MATERIAL: NYLON 66(UL)
FLAME CLASS: 94V-2
COLOR: NATURAL

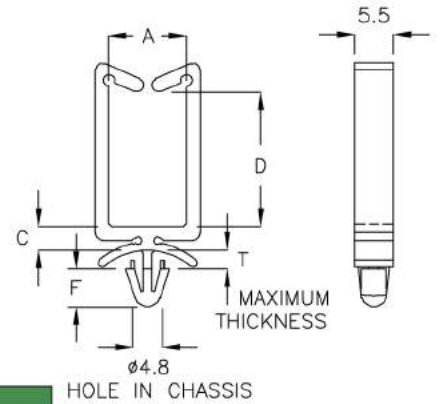


PART NO	A	C	D	F	T MAXIMUM THICKNESS	PACKAGE
CM-10	10.8	4.1	19.4	5.0	2.0	500
CM-10L	23.7	4.7	32.2	5.0	2.0	
CM-10M	10.8	4.1	10.3	5.0	2.0	
CM-10Q	10.8	4.1	10.3	2.4	2.0	
CM-10S	10.8	4.1	7.3	5.0	2.0	

隔離束線座 WIRE SADDLE

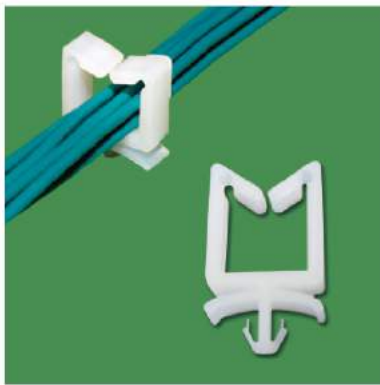


MATERIAL: NYLON 66(UL)
FLAME CLASS: 94V-2
COLOR: NATURAL, BLACK

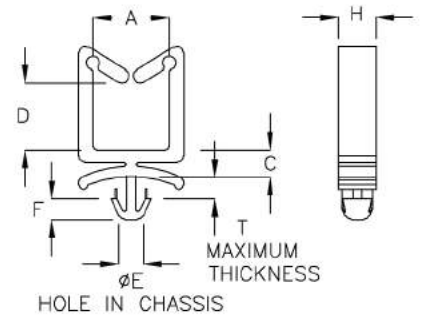


PART NO	A	C	D	F	T MAXIMUM THICKNESS	PACKAGE
CH-10C	11.1	3.6	19.5	5.5	1.6	500

隔離束線座 WIRE SADDLE



MATERIAL: NYLON 66(UL)
FLAME CLASS: 94V-2
COLOR: NATURAL

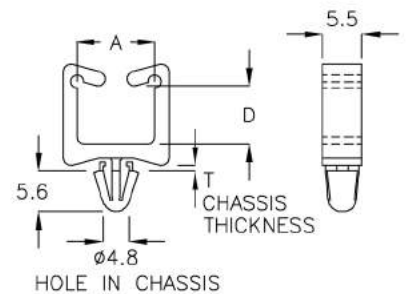


PART NO	A	C	D	E HOLE IN CHASSIS	F	H	T MAXIMUM THICKNESS	PACKAGE
CH-10F	10.9	3.75	7.8	4.8	2.7	5.4	2.4	1000
CH-11	11.0	3.9	9.4	4.8	3.0	5.4	2.4	
CH-16DK	16.0	3.6	6.7	4.5	3.8	5.0	1.0	500

隔離束線座 WIRE SADDLE



MATERIAL: NYLON 66(UL)
FLAME CLASS: 94V-2
COLOR: NATURAL, BLACK



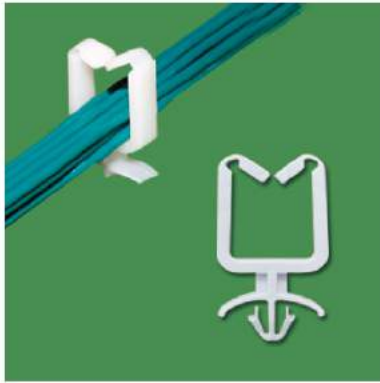
PART NO	A	D	T CHASSIS THICKNESS	PACKAGE
CAC-10A	10.6	8.1	1.0	500

線材固定, 線材隔離 CABLE CLAMP, SADDLE

PINGOOD

6-60-1

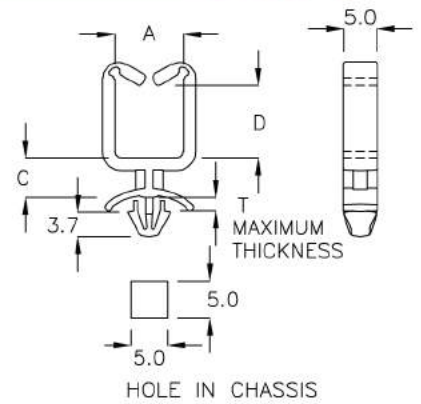
隔離束線座 WIRE SADDLE



MATERIAL: NYLON 66(UL)
FLAME CLASS: 94V-2
COLOR: NATURAL, BLACK

Built-In Anti-Spin Function

PART NO	A	C	D	T MAXIMUM THICKNESS	PACKAGE
CHL-02	10.0	5.7	10.0	1.6	500



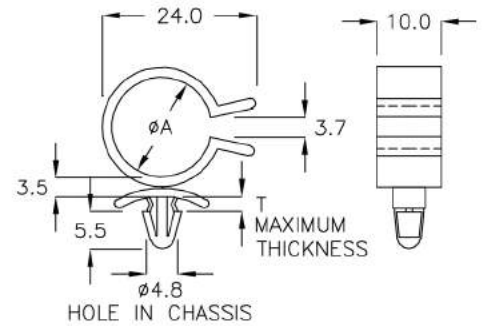
6-60-2

隔離束線座 WIRE SADDLE



MATERIAL: NYLON 66(UL)
FLAME CLASS: 94V-2
COLOR: NATURAL

PART NO	A	T MAXIMUM THICKNESS	PACKAGE
CH-20	∅15.5	1.6	500



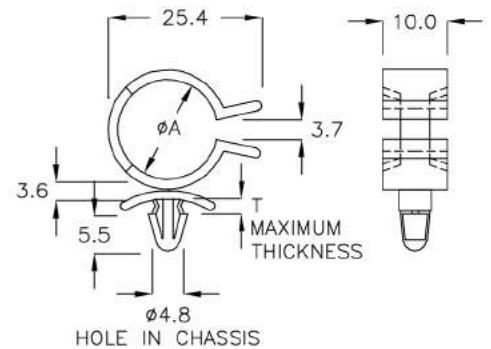
6-60-3

隔離束線座 WIRE SADDLE



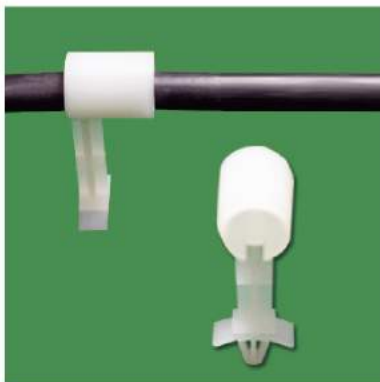
MATERIAL: NYLON 66(UL)
FLAME CLASS: 94V-2
COLOR: NATURAL

PART NO	A	T MAXIMUM THICKNESS	PACKAGE
CH-20C	∅15.0	1.6	500



6-60-4

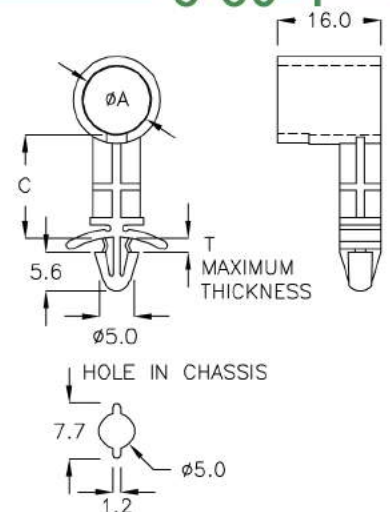
隔離束線座 WIRE SADDLE



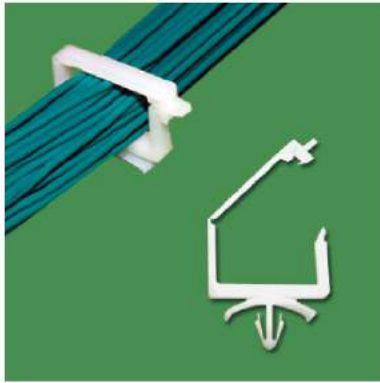
MATERIAL: NYLON 66(UL)
FLAME CLASS: 94V-2
COLOR: NATURAL

Built-In Anti-Spin Function

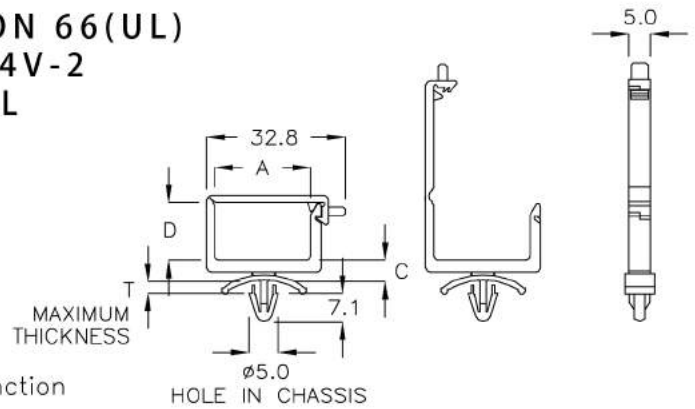
PART NO	A	C	T MAXIMUM THICKNESS	PACKAGE
CSK-6A	∅9.8	6.4	1.6	500
CSK-26A	∅9.8	27.0	1.6	



隔離束線座 WIRE SADDLE



MATERIAL: NYLON 66(UL)
FLAME CLASS: 94V-2
COLOR: NATURAL



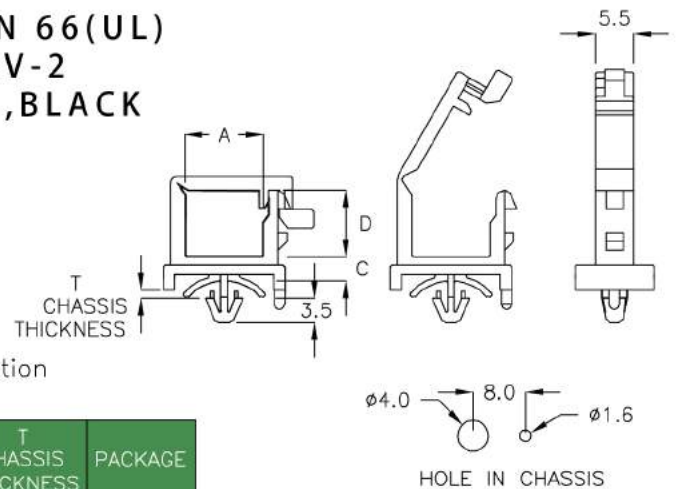
Built-In Anti-Spin Function WITH LOCK FEATURE

PART NO	A	C	D	T MAXIMUM THICKNESS	PACKAGE
CH-20A	22.9	5.3	14.2	3.2	500

隔離束線座 WIRE SADDLE



MATERIAL: NYLON 66(UL)
FLAME CLASS: 94V-2
COLOR: NATURAL, BLACK



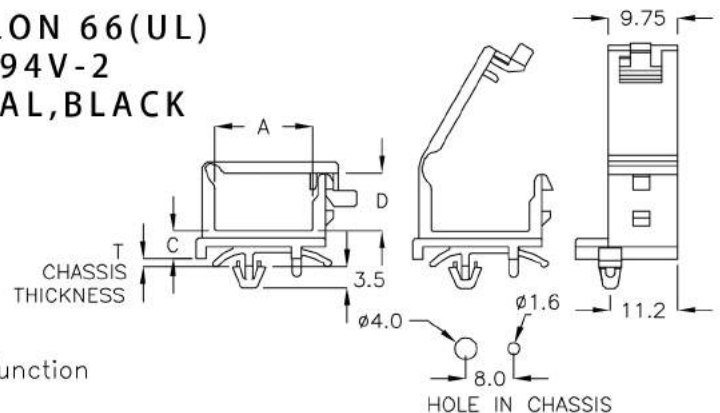
Built-In Anti-Spin Function WITH LOCK FEATURE

PART NO	A	C	D	T CHASSIS THICKNESS	PACKAGE
CKS-10A	11.0	4.8	9.5	0.8~1.0	500

隔離束線座 WIRE SADDLE



MATERIAL: NYLON 66(UL)
FLAME CLASS: 94V-2
COLOR: NATURAL, BLACK



Built-In Anti-Spin Function WITH LOCK FEATURE

PART NO	A	C	D	T CHASSIS THICKNESS	PACKAGE
CKS-16C	16.0	4.6	9.5	0.8~1.0	500

線材固定, 線材隔離 CABLE CLAMP, SADDLE

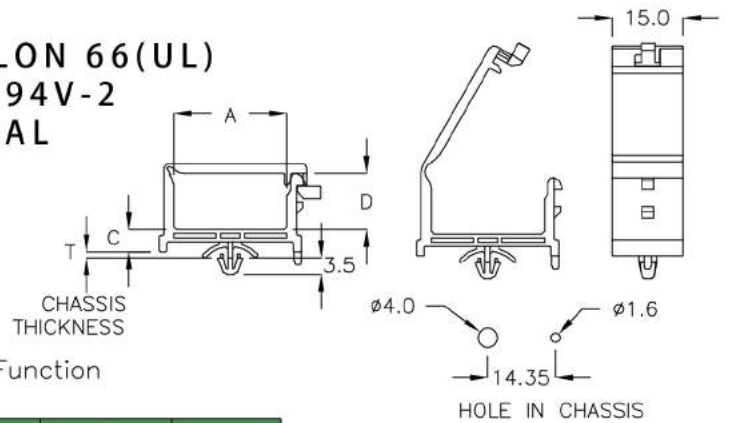
PINGOOD

6-62-1

隔離束線座 WIRE SADDLE



MATERIAL: NYLON 66(UL)
FLAME CLASS: 94V-2
COLOR: NATURAL

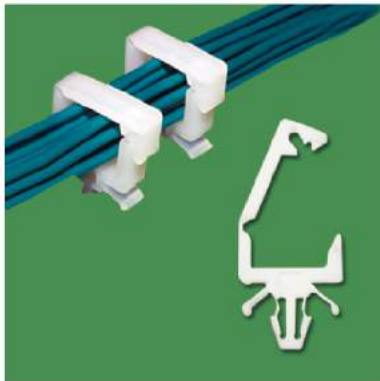


Built-In Anti-Spin Function
WITH LOCK FEATURE

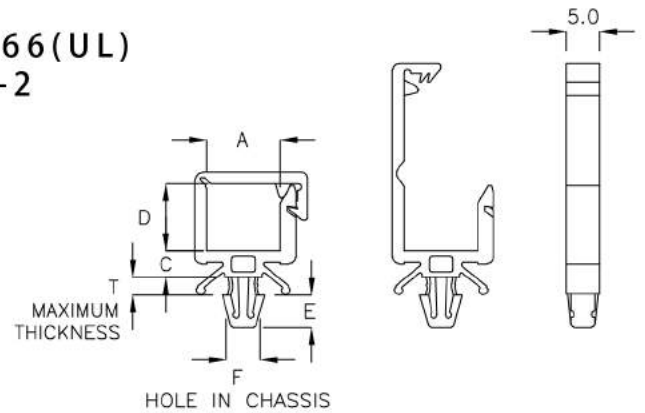
PART NO	A	C	D	T CHASSIS THICKNESS	PACKAGE
CKS-24	24.0	4.7	12.0	0.8~1.0	200

6-62-2

隔離束線座 WIRE SADDLE



MATERIAL: NYLON 66(UL)
FLAME CLASS: 94V-2
COLOR: NATURAL

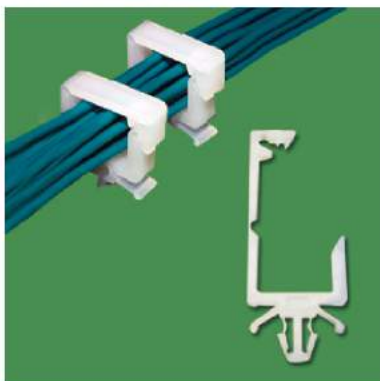


Inculde Lock Function

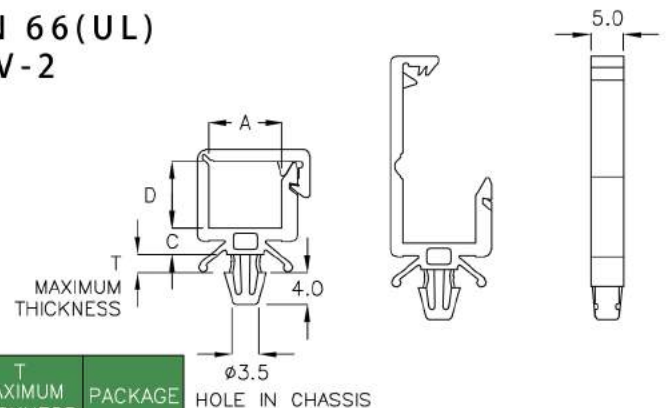
PART NO	A	C	D	E	F	T MAXIMUM THICKNESS	PACKAGE
CK-5	11.0	4.0	5.2	5.1	φ4.8~φ5	2.4	500
CK-10	11.0	4.0	10.2	5.1	φ4.8~φ5	2.4	
CK-13HJ	22.8	4.0	13.6	4.9	φ4.8	0.5~1.0	
CK-014	16.0	4.0	14.4	5.1	φ4.8~φ5	2.4	

6-62-3

隔離束線座 WIRE SADDLE



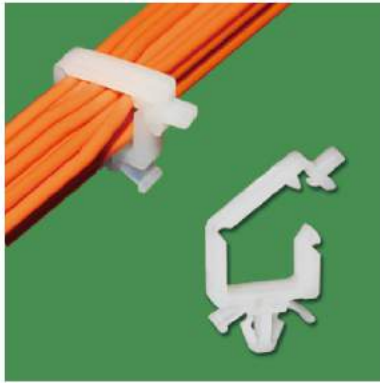
MATERIAL: NYLON 66(UL)
FLAME CLASS: 94V-2
COLOR: NATURAL



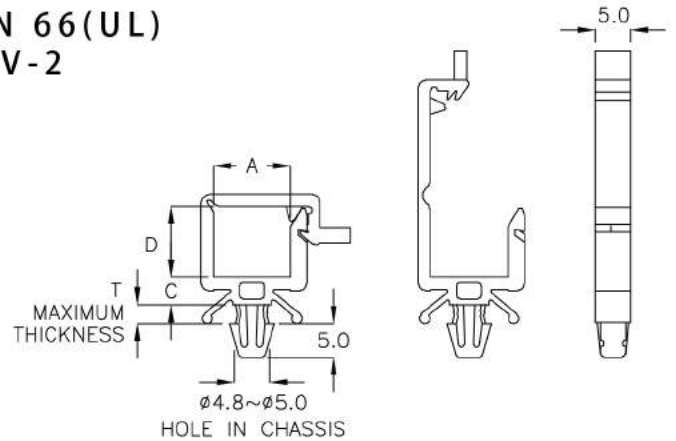
WITH LOCK FEATURE

PART NO	A	C	D	T MAXIMUM THICKNESS	PACKAGE
CHJ-05	11.0	4.0	5.2	2.4	500
CHJ-10	11.0	4.0	10.2	2.4	

隔離束線座 WIRE SADDLE



MATERIAL: NYLON 66(UL)
FLAME CLASS: 94V-2
COLOR: NATURAL



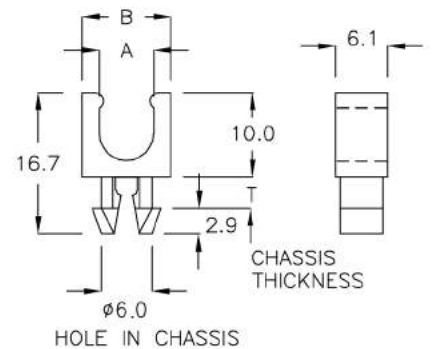
WITH LOCK FEATURE

PART NO	A	C	D	T MAXIMUM THICKNESS	PACKAGE
CK-10A	11.0	4.0	10.4	2.4	500
CK-14A	16.0	4.0	14.0	2.4	

隔離束線座 WIRE SADDLE

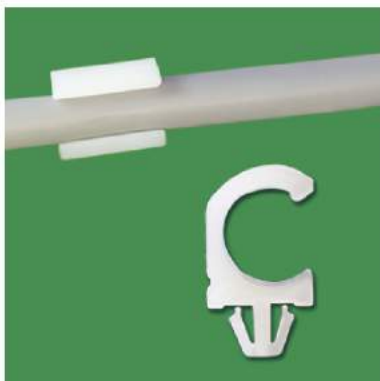


MATERIAL: NYLON 66(UL)
FLAME CLASS: 94V-2
COLOR: BLACK



PART NO	A	B	T CHASSIS THICKNESS	PACKAGE
CH-01	7.5	10.5	3.5	1000

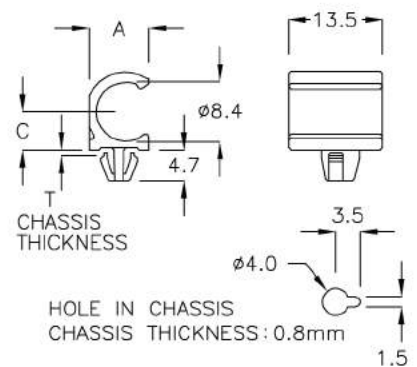
隔離束線座 WIRE SADDLE



MATERIAL: NYLON 66(UL)
FLAME CLASS: 94V-2
COLOR: NATURAL

Built-In Anti-Spin Function

PART NO	A	C	T CHASSIS THICKNESS	PACKAGE
CHK-01	8.6	5.4	0.8	500

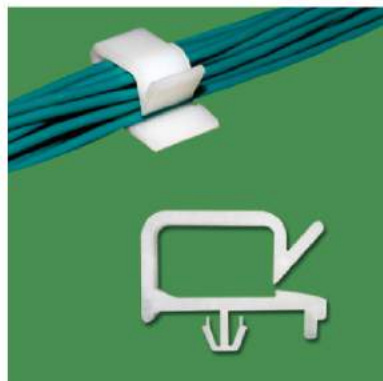


線材固定, 線材隔離 CABLE CLAMP, SADDLE

PINGOOD

6-64-1

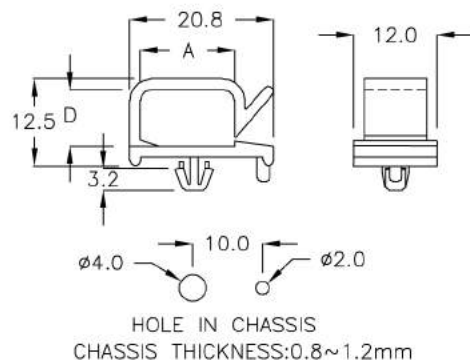
電線固定座 TIE MOUNT



MATERIAL: NYLON 66(UL)
FLAME CLASS: 94V-2
COLOR: NATURAL

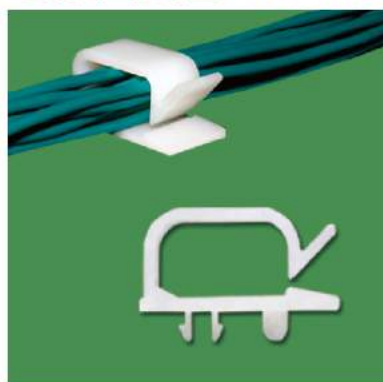
Built-In Anti-Spin Function

PART NO	A	D	PACKAGE
FWS-01	13.6	8.2	500



6-64-2

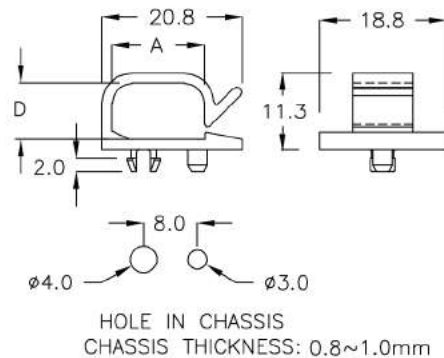
電線固定座 TIE MOUNT



MATERIAL: NYLON 66(UL)
FLAME CLASS: 94V-2
COLOR: NATURAL

Built-In Anti-Spin Function

PART NO	A	D	PACKAGE
FWS-02	13.8	8.3	500



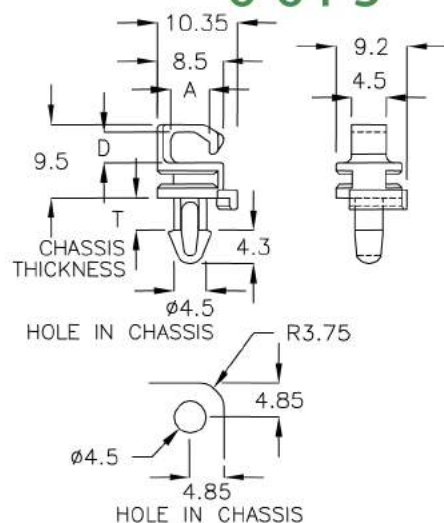
6-64-3

隔離束線座 WIRE SADDLE



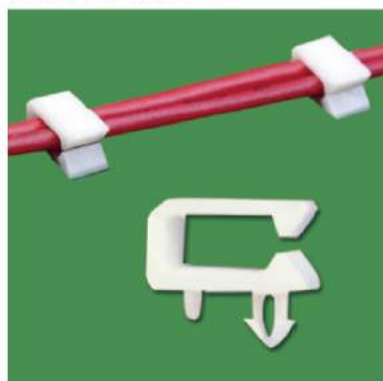
MATERIAL: NYLON 66(UL)
FLAME CLASS: 94V-2
COLOR: BLACK

PART NO	A	D	T CHASSIS THICKNESS	PACKAGE
CYW-5K	5.0	4.0	4.0	1000



6-64-4

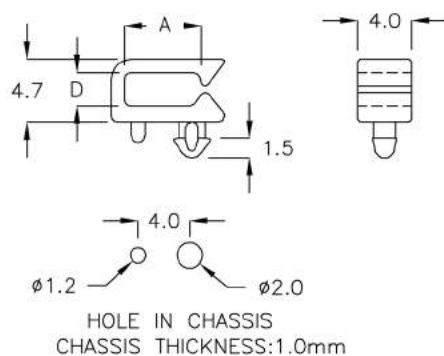
隔離束線座 WIRE SADDLE



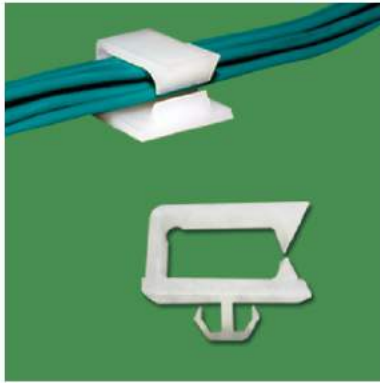
MATERIAL: NYLON 66(UL)
FLAME CLASS: 94V-2
COLOR: NATURAL

Built-In Anti-Spin Function

PART NO	A	D	PACKAGE
CUA-8K	5.6	2.5	1000



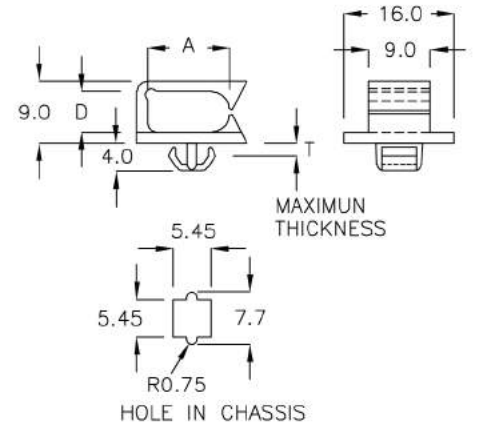
隔離束線座 WIRE SADDLE



MATERIAL: NYLON 66(UL)
FLAME CLASS: 94V-2
COLOR: NATURAL

Built-In Anti-Spin Function

PART NO	A	D	T MAXIMUM THICKNESS	PACKAGE
CU-04	12.0	6.0	1.0	500



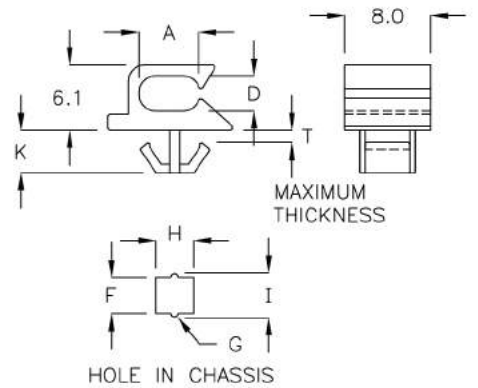
隔離束線座 WIRE SADDLE



MATERIAL: NYLON 66(UL)
FLAME CLASS: 94V-2
COLOR: BLACK

Built-In Anti-Spin Function

PART NO	A	D	F	G	H	I	K	T MAXIMUM THICKNESS	PACKAGE
CU-01H	5.6	3.3	4.2	R0.5	5.5	5.2	4.0	1.0	1000
CU-01K	5.6	3.3	4.2	R0.5	5.5	5.2	4.3	1.2	2000
CU-1RS	5.6	3.3	4.1	R0.55	4.3	5.1	4.3	1.1	1000



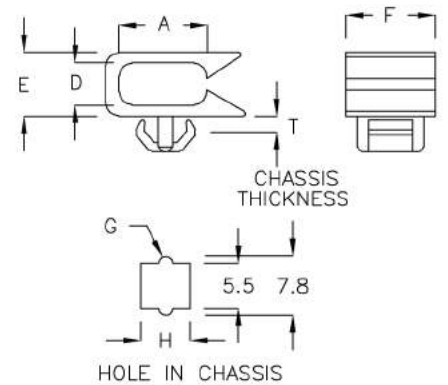
隔離束線座 WIRE SADDLE



MATERIAL: NYLON 66(UL)
FLAME CLASS: 94V-2
COLOR: NATURAL, BLACK

Built-In Anti-Spin Function

PART NO	A	D	E	F	G	H	T CHASSIS THICKNESS	PACKAGE
CU-2C	4.2	2.5	5.1	9.4	R0.9	6.2	1.0~1.2	1000
CU-03	10.0	4.8	7.2	10.0	R0.85	5.5	0.6~0.8	



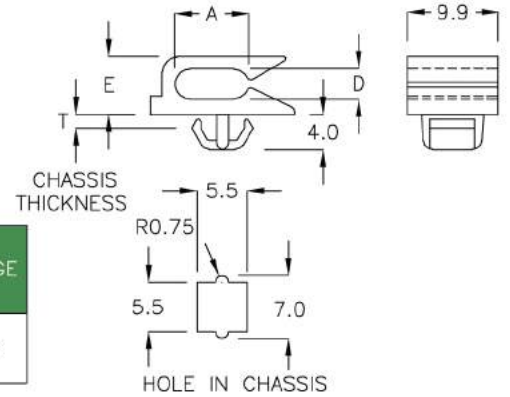
隔離束線座 WIRE SADDLE



MATERIAL: NYLON 66(UL)
FLAME CLASS: 94V-2
COLOR: NATURAL

Built-In Anti-Spin Function

PART NO	A	D	E	T CHASSIS THICKNESS	PACKAGE
CU-01	8.2	3.3	6.4	0.8~1.0	1000
CU-01F	9.0	4.6	7.6	0.8~1.0	



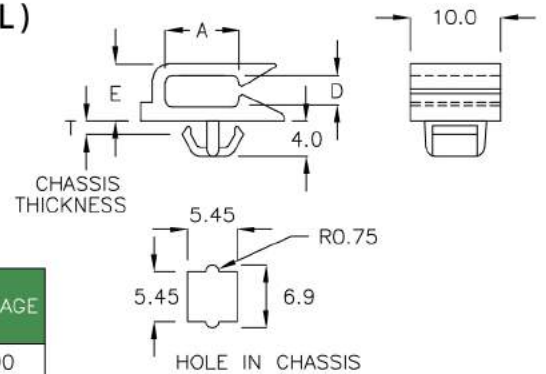
隔離束線座 WIRE SADDLE



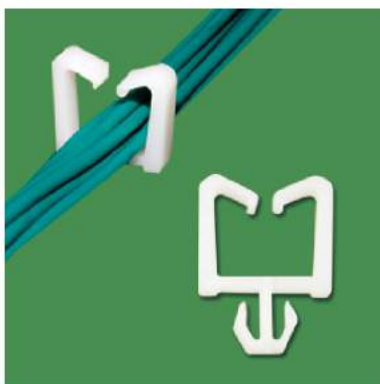
MATERIAL: NYLON 66(UL)
FLAME CLASS: 94V-2
COLOR: NATURAL

Built-In Anti-Spin Function

PART NO	A	D	E	T CHASSIS THICKNESS	PACKAGE
CU-01J	9.0	4.6	7.6	0.8~1.0	500



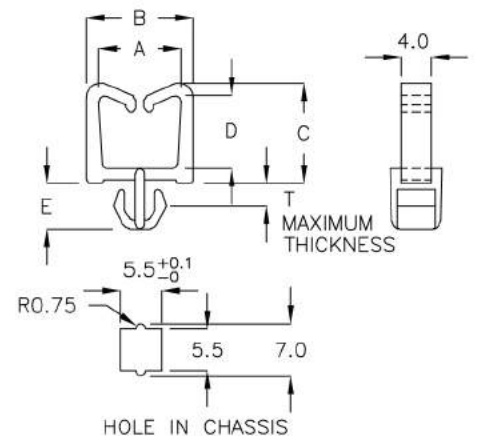
隔離束線座 WIRE SADDLE



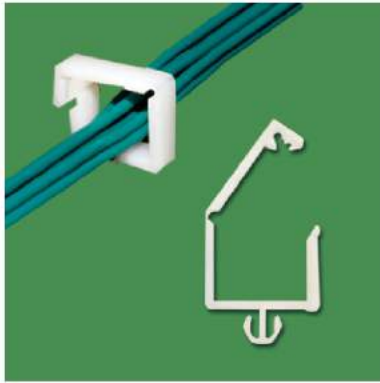
MATERIAL: NYLON 66(UL)
FLAME CLASS: 94V-2
COLOR: NATURAL

Built-In Anti-Spin Function

PART NO	A	B	C	D	E	T MAXIMUM THICKNESS	PACKAGE
CH-08	10.9	14.3	13.5	9.7	6.3	2.2	500
CH-08L	12.0	16.8	13.5	9.4	5.8	1.6	
CH-08A	11.0	14.3	15.7	12.0	6.1	2.2	



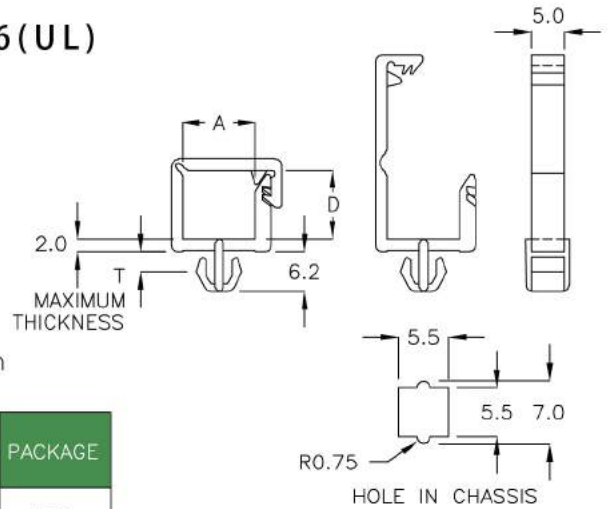
隔離束線座 WIRE SADDLE



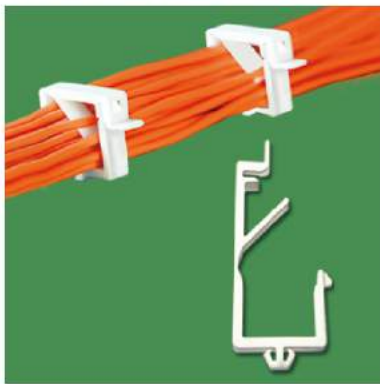
MATERIAL: NYLON 66(UL)
FLAME CLASS: 94V-2
COLOR: NATURAL

Built-In Anti-Spin Function
 WITH LOCK FEATURE

PART NO	A	D	T MAXIMUM THICKNESS	PACKAGE
CKH-11	11.1	10.5	2.0	500
CKH-13	16.0	14.5	2.0	



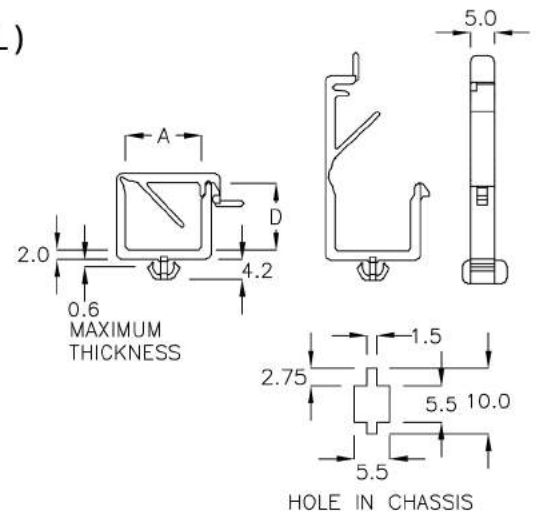
隔離束線座 WIRE SADDLE



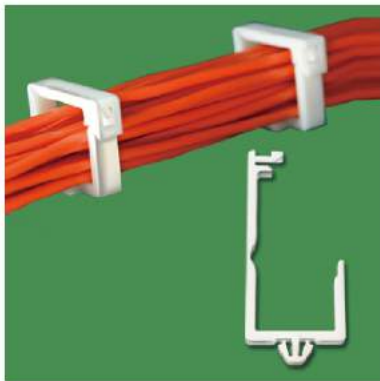
MATERIAL: NYLON 66(UL)
FLAME CLASS: 94V-2
COLOR: NATURAL

Built-In Anti-Spin Function
 WITH LOCK FEATURE

PART NO	A	D	PACKAGE
CYH-16C	16.0	14.0	500



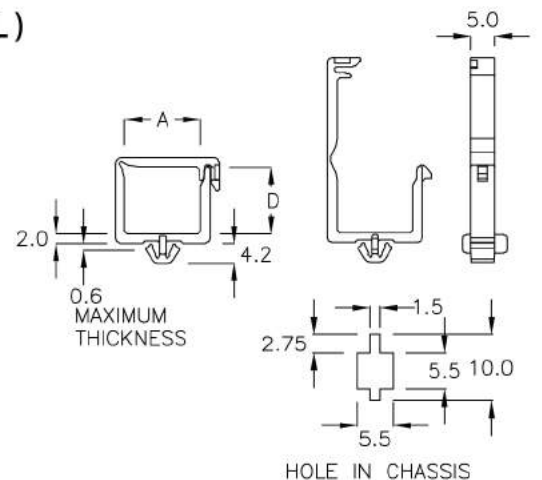
隔離束線座 WIRE SADDLE



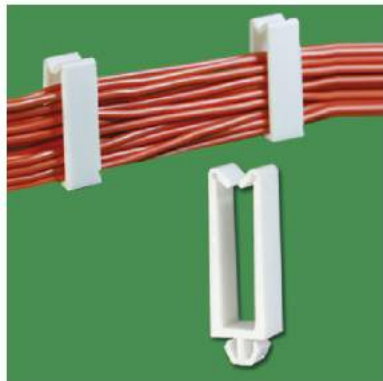
MATERIAL: NYLON 66(UL)
FLAME CLASS: 94V-2
COLOR: NATURAL

Built-In Anti-Spin Function
 WITH LOCK FEATURE

PART NO	A	D	PACKAGE
CYK-16G	16.0	14.0	500



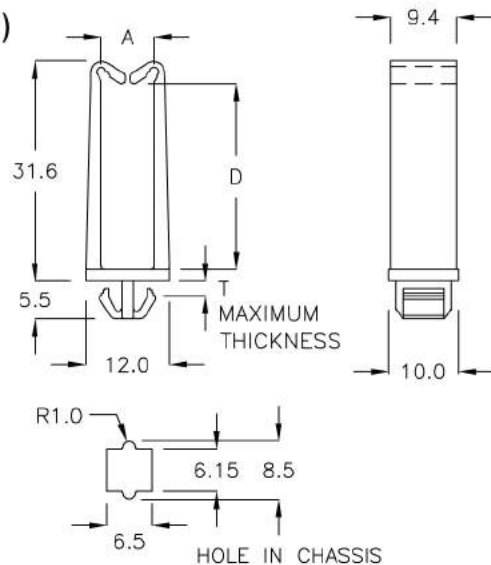
隔離束線座 WIRE SADDLE



MATERIAL: NYLON 66(UL)
FLAME CLASS: 94V-2
COLOR: NATURAL

Built-In Anti-Spin Function

PART NO	A	D	T MAXIMUM THICKNESS	PACKAGE
CMB-7A	7.6	26.8	1.6	200

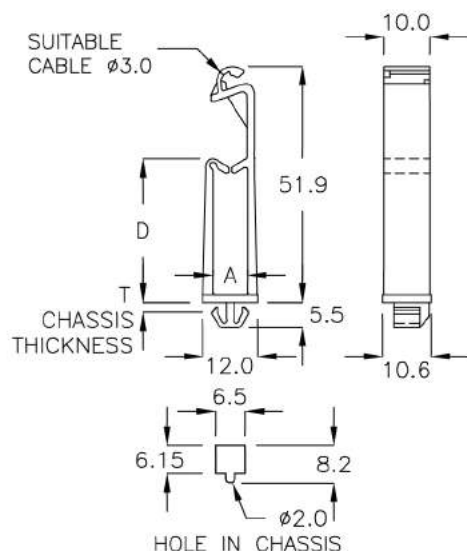


電線固定座 WIRE MOUNT



MATERIAL: NYLON 66(UL)
FLAME CLASS: 94V-2
COLOR: BLACK

PART NO	A	D	T CHASSIS THICKNESS	PACKAGE
CYS-7TK	7.6	31.6	1.2~1.6	100



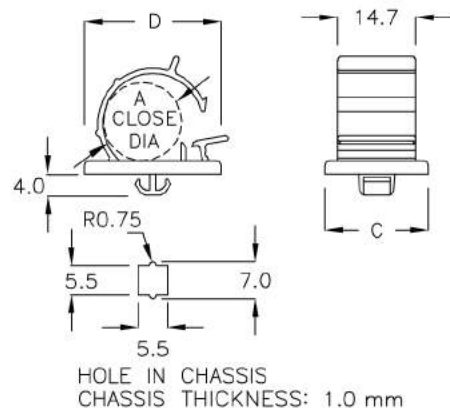
電線固定座 WIRE MOUNT



MATERIAL: NYLON 66(UL)
FLAME CLASS: 94V-2
COLOR: BLACK

Built-In Anti-Spin Function
 WITH LOCK FEATURE

PART NO	A	C	D	PACKAGE
CD-4	Ø12.6	19.6	25.8	100



線材固定, 線材隔離 CABLE CLAMP, SADDLE

PINGOOD

6-69-1

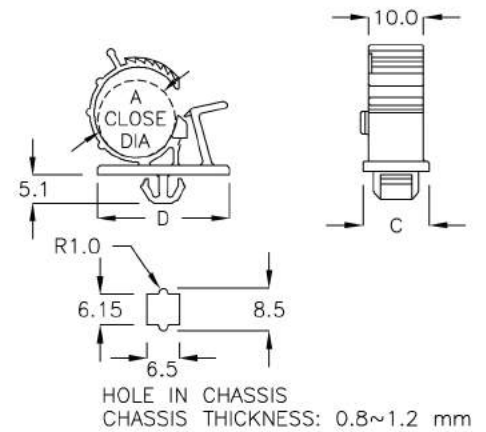
電線固定座 WIRE MOUNT



MATERIAL: NYLON 66(UL)
FLAME CLASS: 94V-2
COLOR: BLACK

Built-In Anti-Spin Function
 WITH LOCK FEATURE

PART NO	A	C	D	PACKAGE
CDF-24	∅11.0~13.0	12.0	24.0	100



6-69-2

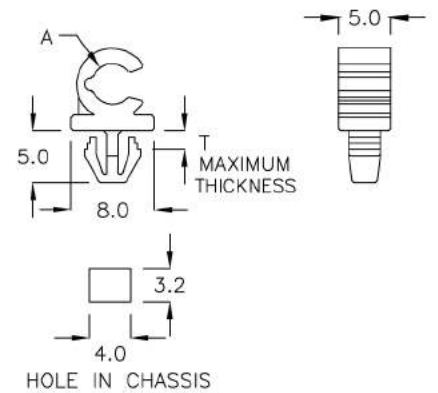
隔離束線座 WIRE SADDLE



MATERIAL: NYLON 66(UL)
FLAME CLASS: 94V-2
COLOR: NATURAL

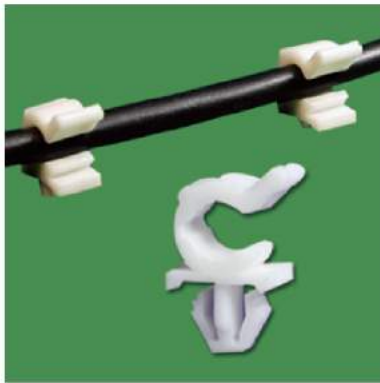
Built-In Anti-Spin Function

PART NO	A	T MAXIMUM THICKNESS	PACKAGE
CH-04C	∅4.0	1.0	1000



6-69-3

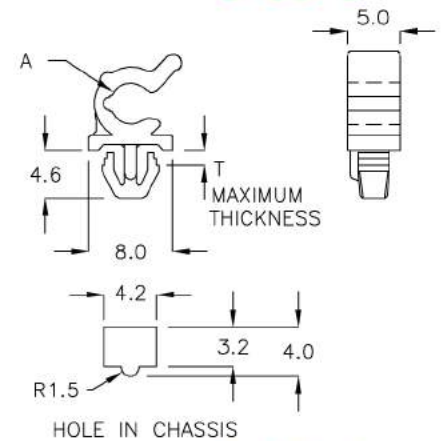
隔離束線座 WIRE SADDLE



MATERIAL: NYLON 66(UL)
FLAME CLASS: 94V-2
COLOR: NATURAL

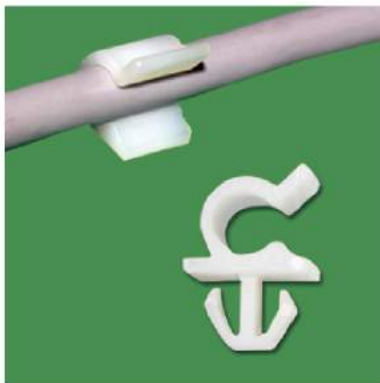
Built-In Anti-Spin Function

PART NO	A	T MAXIMUM THICKNESS	PACKAGE
CNA-04F	∅4.0	1.0	1000



6-69-4

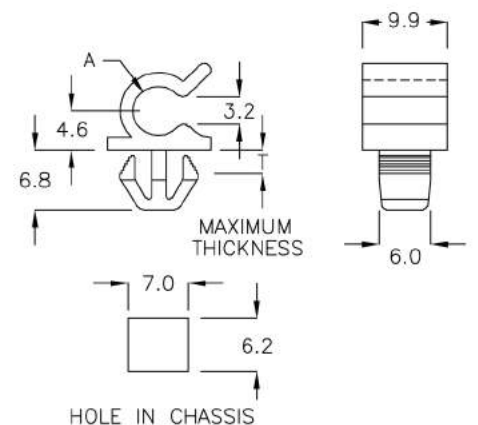
隔離束線座 WIRE SADDLE



MATERIAL: NYLON 66(UL)
FLAME CLASS: 94V-2
COLOR: NATURAL

Built-In Anti-Spin Function

PART NO	A	T MAXIMUM THICKNESS	PACKAGE
CH-06S	∅6.0	2.0	500



線材固定, 線材隔離 CABLE CLAMP, SADDLE

PINGOOD

6-70-1

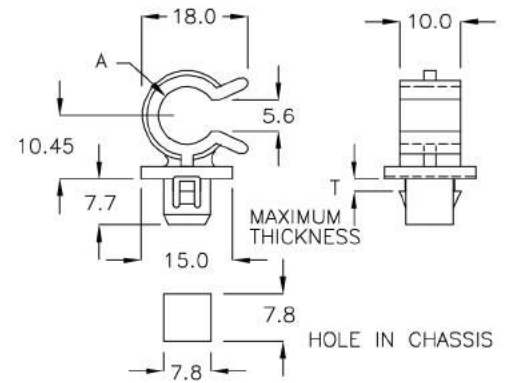
隔離束線座 WIRE SADDLE



MATERIAL: NYLON 66(UL)
FLAME CLASS: 94V-2
COLOR: NATURAL

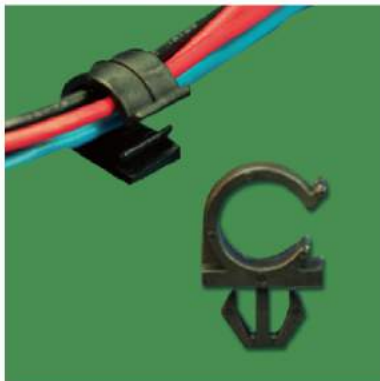
Build-In Anti-Spin Function

PART NO	A	T MAXIMUM THICKNESS	PACKAGE
CH-09	∅9.7	1.8	200



6-70-2

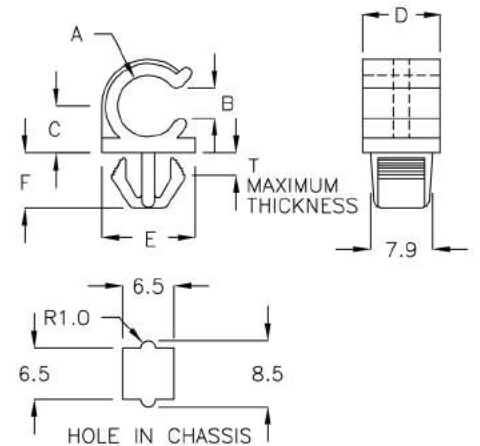
隔離束線座 WIRE SADDLE



MATERIAL: NYLON 66(UL)
FLAME CLASS: 94V-2
COLOR: NATURAL, BLACK

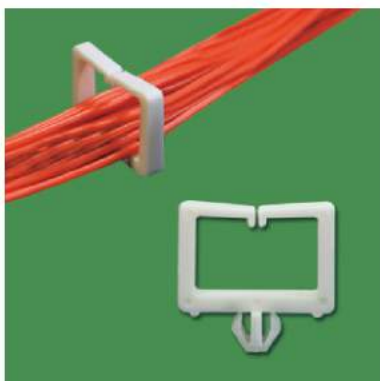
Build-In Anti-Spin Function

PART NO	A	B	C	D	E	F	T MAXIMUM THICKNESS	PACKAGE
CH-09S	∅8.0	3.8	6.0	9.9	12.0	7.1	2.0	500
CH-09A	∅8.0	4.8	7.1	8.0	11.6	5.4	2.0	
CH-09C	∅8.0	3.8	6.5	9.9	13.5	7.0	2.0	



6-70-3

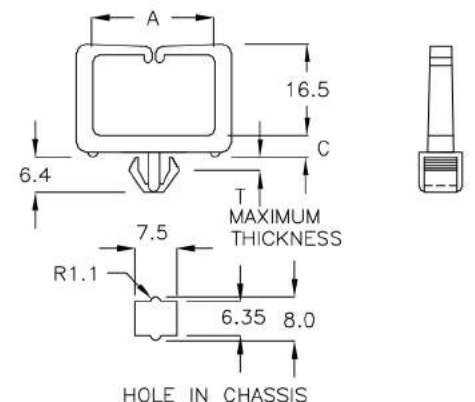
隔離束線座 WIRE SADDLE



MATERIAL: NYLON 66(UL)
FLAME CLASS: 94V-2
COLOR: NATURAL

Build-In Anti-Spin Function

PART NO	A	C	T MAXIMUM THICKNESS	PACKAGE
CHN-01	21.6	3.9	1.6	200



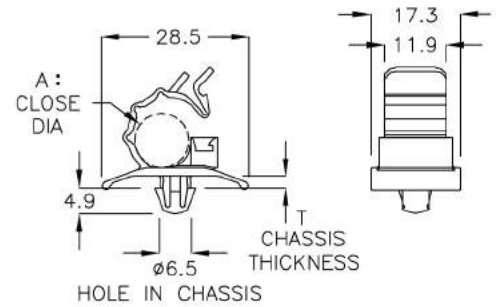


電線固定座 WIRE MOUNT

MATERIAL: NYLON 66(UL)
FLAME CLASS: 94V-2
COLOR: NATURAL, BLACK

WITH LOCK FEATURE

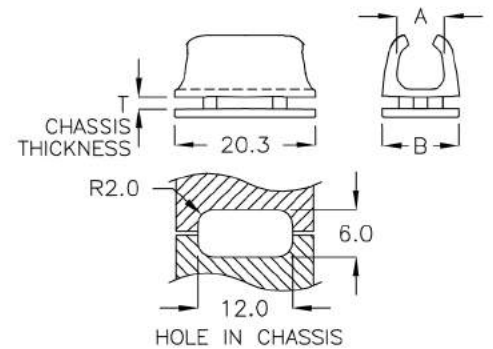
PART NO	A CLOSE DIA	T CHASSIS THICKNESS	PACKAGE
CCD-01	ø10.0	0.8~1.2	200



電線固定座 WIRE MOUNT

MATERIAL: PE
COLOR: BLACK

PART NO	A	B	T CHASSIS THICKNESS	PACKAGE
BAK-20A	6.7	11.0	1.6	500

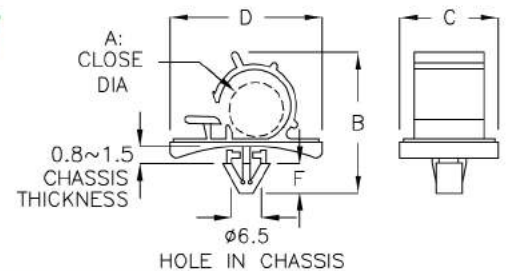


電線固定座 WIRE MOUNT

MATERIAL: NYLON 66(UL)
FLAME CLASS: 94V-2
COLOR: NATURAL

WITH LOCK FEATURE

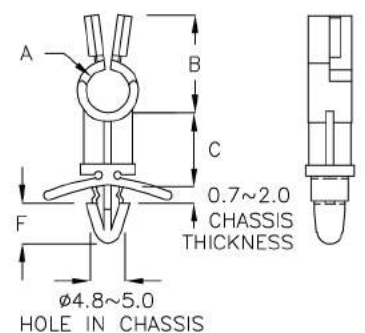
PART NO	A	B	C	D	F	PACKAGE
CC-3	ø9.5	23.9	17.0	26.0	5.0	200
CC-3PH	ø7.8	24.9	19.0	21.0	4.8	
CC-4	ø13.5	32.0	19.4	30.3	5.2	100
CC-04A	ø17.0	33.7	19.3	30.2	5.1	



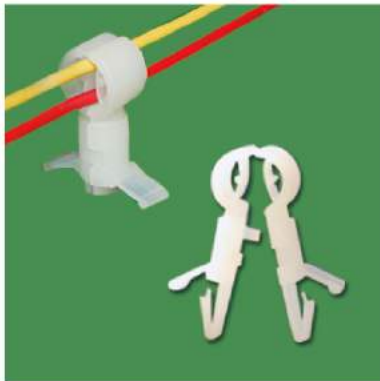
隔離束線座 WIRE SADDLE

MATERIAL: NYLON 66(UL)
FLAME CLASS: 94V-2
COLOR: NATURAL

PART NO	A	B	C	F	PACKAGE
CS-6	ø6.2	14.0	6.35	5.8	500
CS-12	ø6.2	14.0	13.0	5.9	

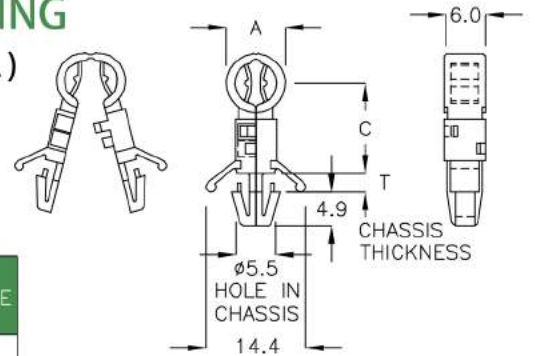


6-72-1



光纖固定座 FIBER HOUSING

MATERIAL: NYLON 66(UL)
FLAME CLASS: 94V-2
COLOR: NATURAL



PART NO	A	C	T CHASSIS THICKNESS	PACKAGE
CCA-13	ø8.5	13.0	0.8~2.3	500

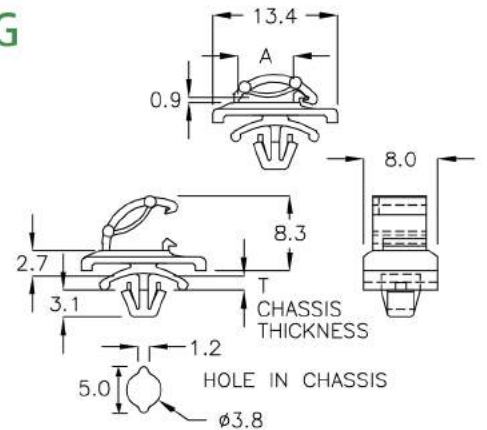
6-72-2



光纖固定座 FIBER HOUSING

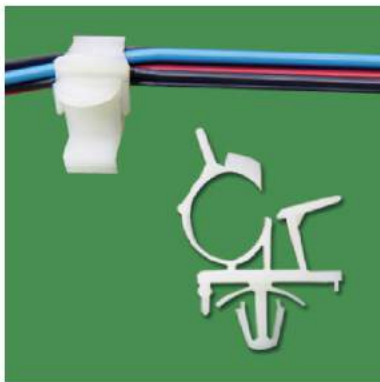
MATERIAL: NYLON 66(UL)
FLAME CLASS: 94V-2
COLOR: NATURAL

Built-In Anti-Spin Function
WITH LOCK FEATURE



PART NO	A	T CHASSIS THICKNESS	PACKAGE
CHX-01	6.0	0.8~1.6	1000
CHX-1A	6.0	0.8~2.5	

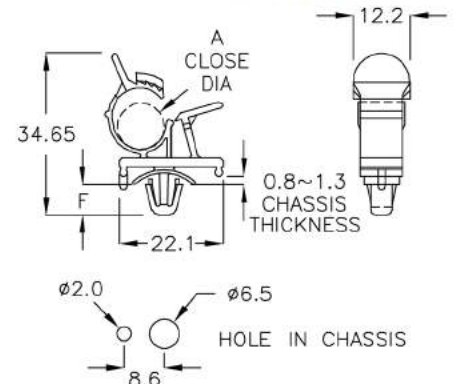
6-72-3



電線固定座 WIRE MOUNT

MATERIAL: NYLON 66(UL)
FLAME CLASS: 94V-2
COLOR: NATURAL

Built-In Anti-Spin Function
WITH LOCK FEATURE



PART NO	A CLOSE DIA	F	PACKAGE
FWD-01	ø7.7~ø10.0	6.8	500
FWD-02	ø8.0~ø9.5	6.9	

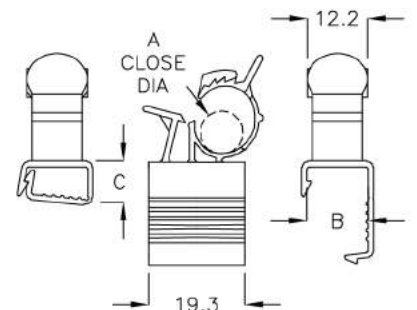
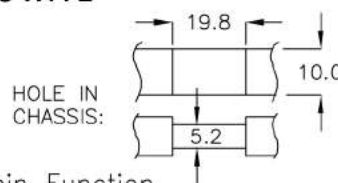
6-72-4



電線固定座 WIRE MOUNT

MATERIAL: NYLON 66(UL)
FLAME CLASS: 94V-2
COLOR: NATURAL

Built-In Anti-Spin Function
WITH LOCK FEATURE



PART NO	A	B	C	PACKAGE
FWC-01	ø7.5~ø9.0	12.4	8.2	100

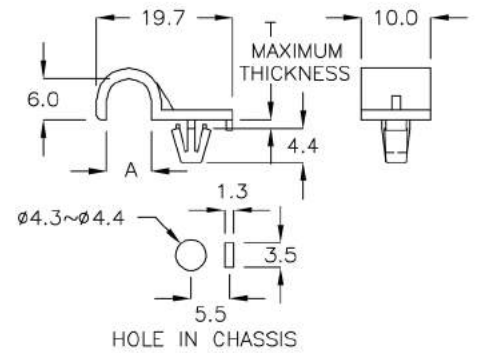
電線固定座 WIRE MOUNT



MATERIAL: NYLON 66(UL)
FLAME CLASS: 94V-2
COLOR: NATURAL

Built-In Anti-Spin Function
 WITH LOCK FEATURE

PART NO	A	T MAXIMUM THICKNESS	PACKAGE
CU-06A	6.4	1.1	1000

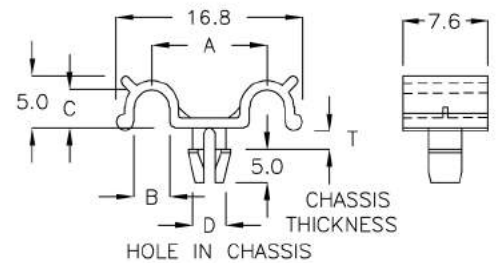


電線固定座 WIRE MOUNT



MATERIAL: NYLON 66(UL)
FLAME CLASS: 94V-2
COLOR: NATURAL

PART NO	A	B	C	D HOLE IN CHASSIS	T CHASSIS THICKNESS	PACKAGE
CIC-01	10.4	3.2	3.4	∅3.2	1.6~1.8	1000



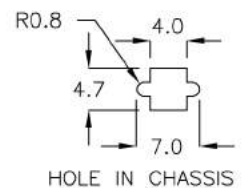
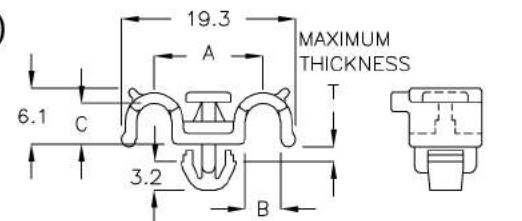
電線固定座 WIRE MOUNT



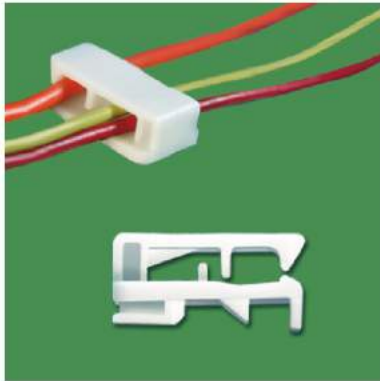
MATERIAL: NYLON 66(UL)
FLAME CLASS: 94V-2
COLOR: NATURAL

Built-In Anti-Spin Function

PART NO	A	B	C	T MAXIMUM THICKNESS	PACKAGE
CIS-18K	12.0	3.95	4.5	1.5	1000



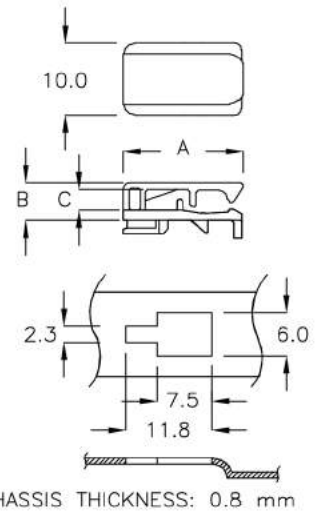
電線固定座 WIRE MOUNT



MATERIAL: NYLON 66(UL)
FLAME CLASS: 94V-2
COLOR: NATURAL

Built-In Anti-Spin Function

PART NO	A	B	C	PACKAGE
LFK-16A	16.5	5.3	2.85	1000

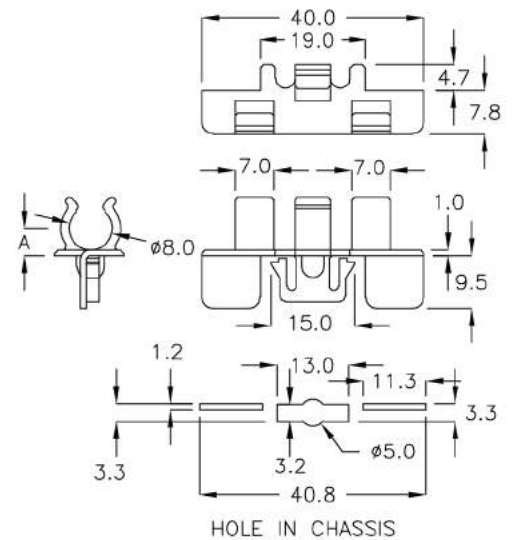


隔離束線座 WIRE SADDLE



MATERIAL: NYLON 66(UL)
FLAME CLASS: 94V-2
COLOR: BLACK

PART NO	A	B	PACKAGE
CHY-01	5.0	12.5	500

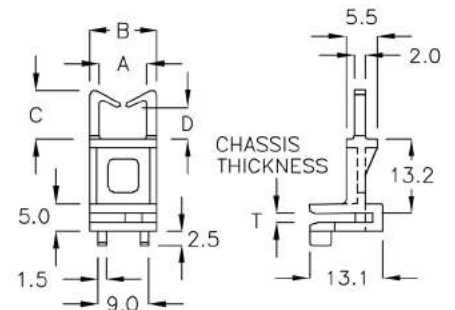


電線固定座 WIRE MOUNT



MATERIAL: NYLON 66(UL)
FLAME CLASS: 94V-2
COLOR: NATURAL

PART NO	A	B	C	D	T CHASSIS THICKNESS	PACKAGE
CNG-13	8.5	12.0	8.8	5.6	1.6	500



線材固定, 線材隔離 CABLE CLAMP, SADDLE

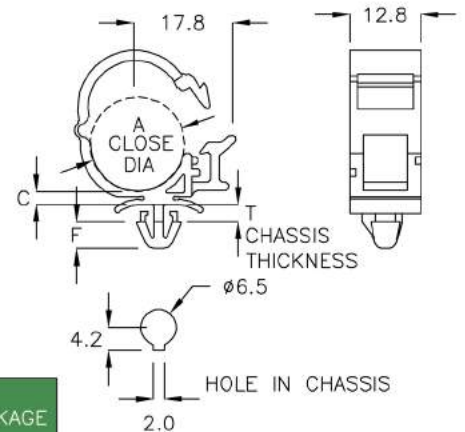
PINGOOD

6-76-1

電線固定座 WIRE MOUNT



MATERIAL: NYLON 66(UL)
FLAME CLASS: 94V-2
COLOR: BLACK



PART NO	A	C	T CHASSIS THICKNESS	F	PACKAGE
CCF-17RS	ø17.0	2.3	0.8	4.8	100

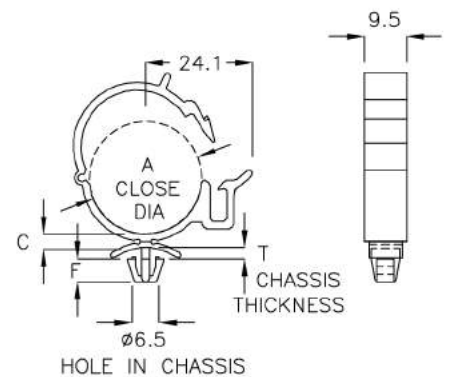
6-76-2

電線固定座 WIRE MOUNT



MATERIAL: NYLON 66(UL)
FLAME CLASS: 94V-2
COLOR: NATURAL

WITH LOCK FEATURE



PART NO	A	C	T CHASSIS THICKNESS	F	PACKAGE
CKL-25	ø25.4	3.6	0.8~1.8	5.6	100
CKL-25A	ø25.4	3.6	2.5~3.0	5.7	

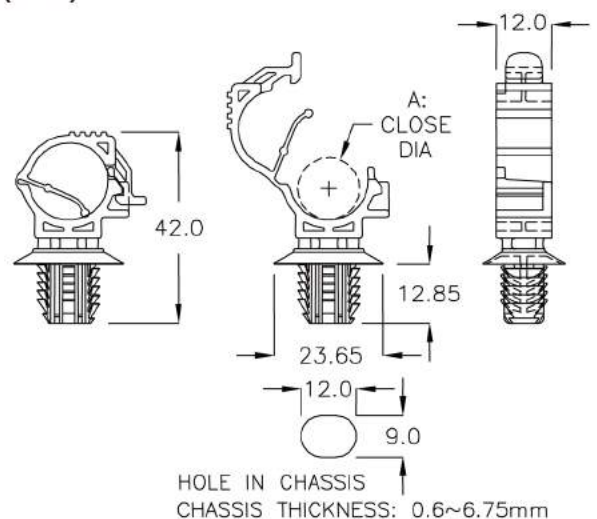
6-76-3

電線固定座 WIRE MOUNT



MATERIAL: NYLON 66(UL)
FLAME CLASS: 94V-2
COLOR: BLACK

NEW

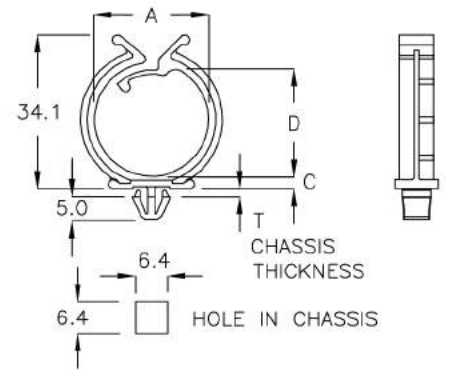


PART NO	A	PACKAGE
★ CKIM-16HQ	ø10.0	100

隔離束線座 WIRE SADDLE

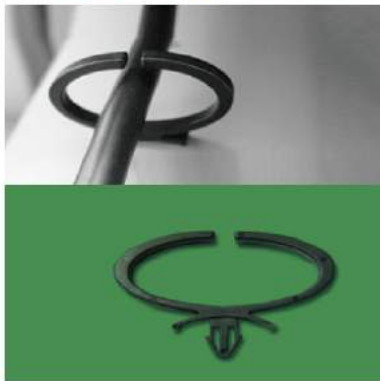


MATERIAL: NYLON 66(UL)
FLAME CLASS: 94V-2
COLOR: NATURAL

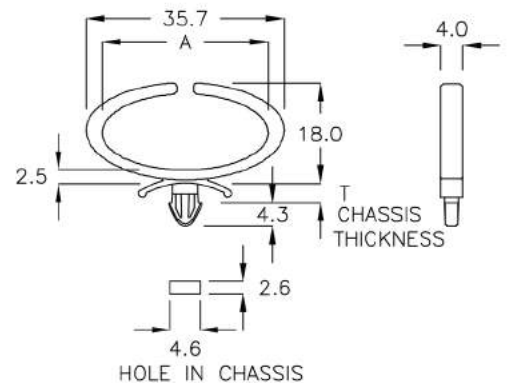


PART NO	A	C	D	T CHASSIS THICKNESS	PACKAGE
TDH-25	25.5	2.55	24.0	0.6~1.2	200

隔離束線座 WIRE SADDLE



MATERIAL: NYLON 66(UL)
FLAME CLASS: 94V-2
COLOR: BLACK

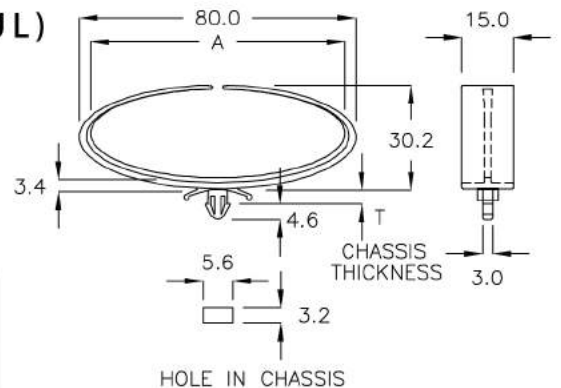


PART NO	A	T CHASSIS THICKNESS	PACKAGE
CHP-2A	29.9	1.2~2.8	500

隔離束線座 WIRE SADDLE



MATERIAL: NYLON 66(UL)
FLAME CLASS: 94V-2
COLOR: BLACK



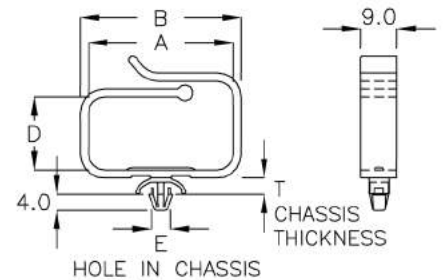
PART NO	A	T CHASSIS THICKNESS	PACKAGE
CHP-8A	73.5	2.5~3.0	100

隔離束線座 WIRE SADDLE



MATERIAL: NYLON 66(UL)
FLAME CLASS: 94V-2
COLOR: BLACK

NEW

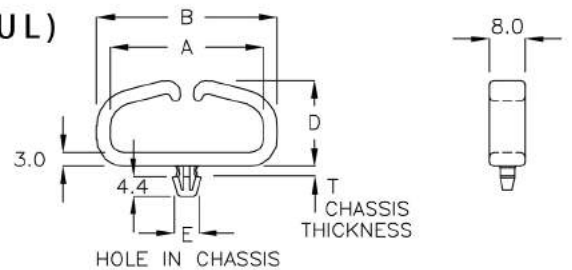


PART NO	A	B	D	E HOLE IN CHASSIS	T CHASSIS THICKNESS	PACKAGE
★ CND-40	36.0	40.0	18.1	∅4.8	1.3~2.8	200

隔離束線座 WIRE SADDLE



MATERIAL: NYLON 66(UL)
FLAME CLASS: 94V-2
COLOR: NATURAL

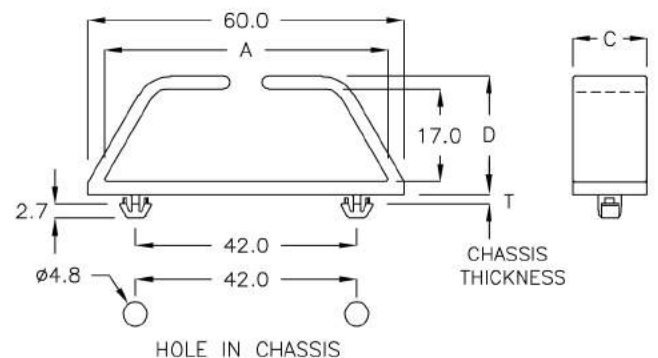


PART NO	A	B	D	E HOLE IN CHASSIS	T CHASSIS THICKNESS	PACKAGE
CKQ-40	33.8	39.8	18.5	∅4.9~∅5.0	1.8~2.0	500
CKQ-44	41.6	48.8	23.4	∅4.9~∅5.0	1.8~2.0	200
CKQ-55	49.0	55.0	18.3	∅4.9~∅5.0	1.8~2.0	

隔離束線座 WIRE SADDLE

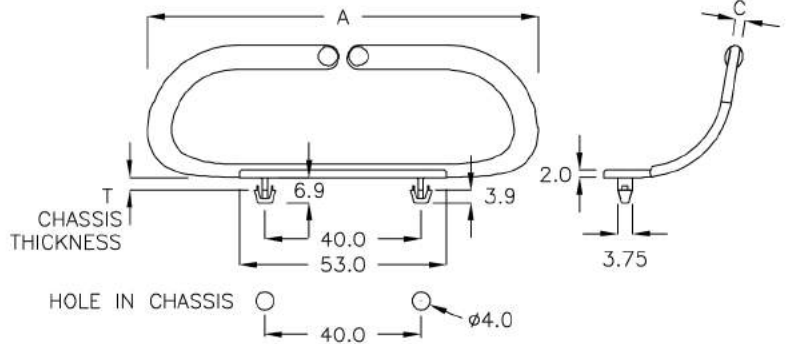


MATERIAL: NYLON 66(UL)
FLAME CLASS: 94V-2
COLOR: BLACK



PART NO	A	C	D	T CHASSIS THICKNESS	PACKAGE
CKQ-60	53.8	14.0	22.0	1.5	200

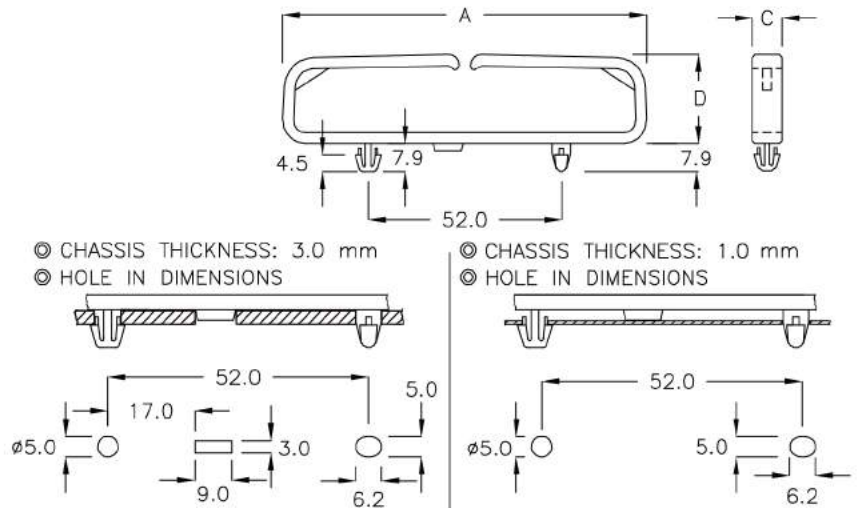
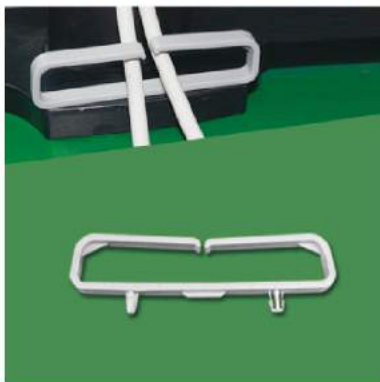
隔離束線座 WIRE SADDLE



MATERIAL: PP
COLOR: NATURAL

PART NO	A	C	T CHASSIS THICKNESS	PACKAGE
CKF-40	100.0	2.5	3.0	100

隔離束線座 WIRE SADDLE



MATERIAL: NYLON 66(UL)
FLAME CLASS: 94V-2
COLOR: NATURAL

PART NO	A	C	D	PACKAGE
CKQ-98	98.0	8.0	24.0	100

線材固定, 線材隔離 CABLE CLAMP, SADDLE

PINGOOD

6-80-1

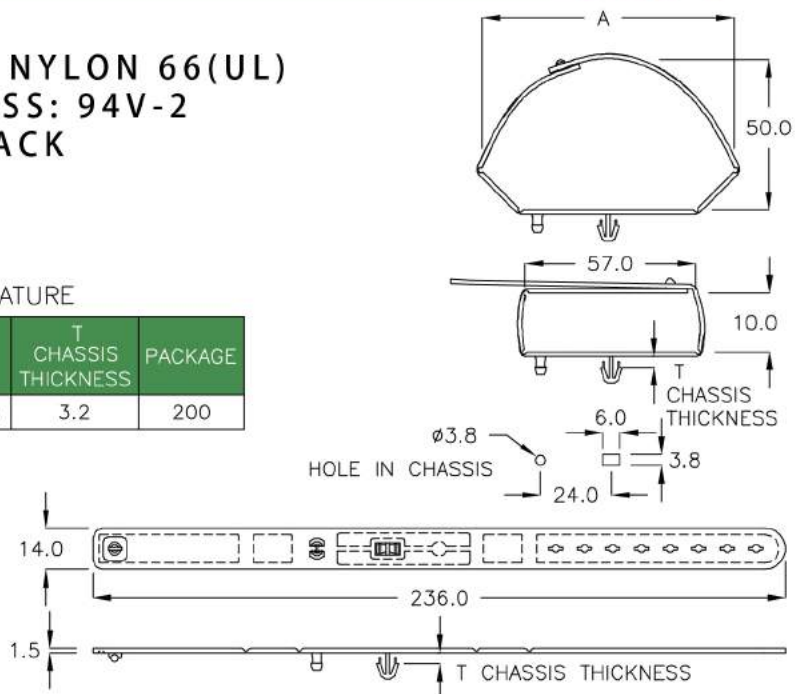
隔離束線座 WIRE SADDLE



MATERIAL: NYLON 66(UL)
FLAME CLASS: 94V-2
COLOR: BLACK

WITH LOCK FEATURE

PART NO	A	T CHASSIS THICKNESS	PACKAGE
BSR-235	80.0	3.2	200



6-80-2

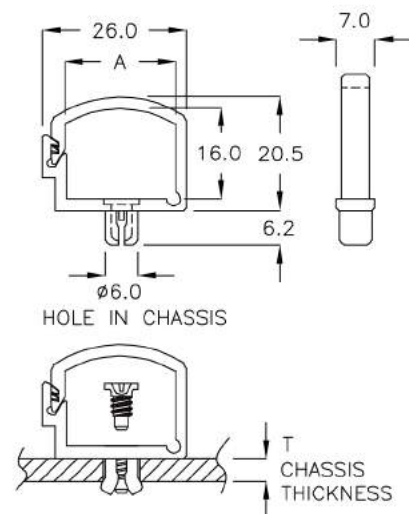
隔離束線座 WIRE SADDLE



MATERIAL: NYLON 66(UL)
FLAME CLASS: 94V-2
COLOR: NATURAL

WITH LOCK FEATURE

PART NO	A	T CHASSIS THICKNESS	PACKAGE
CKP-16	20.0	1.6~2.6	500



6-80-3

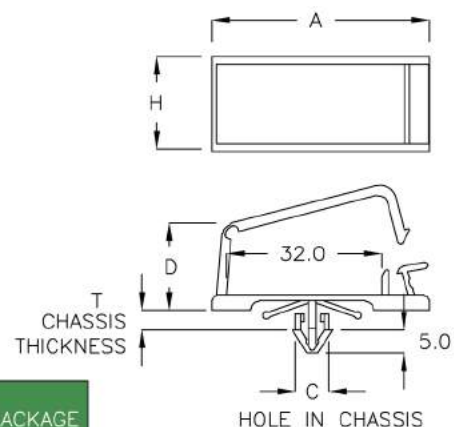
電線固定座 WIRE MOUNT



MATERIAL: NYLON 66(UL)
FLAME CLASS: 94V-2
COLOR: NATURAL

WITH LOCK FEATURE

PART NO	A	C	D	H	T CHASSIS THICKNESS	PACKAGE
FWH-01	44.8	φ6.4	17.5	18.8	1.8~3.2	200
FWH-02	44.5	φ6.3	12.3	19.0	0.5~1.8	



線材固定, 線材隔離 CABLE CLAMP, SADDLE

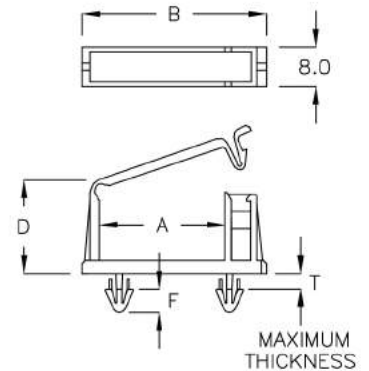
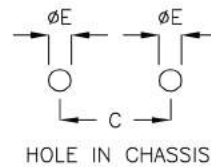
PINGOOD

6-81-1

電線固定座 WIRE MOUNT



MATERIAL: NYLON 66(UL)
FLAME CLASS: 94V-2
COLOR: NATURAL



WITH LOCK FEATURE

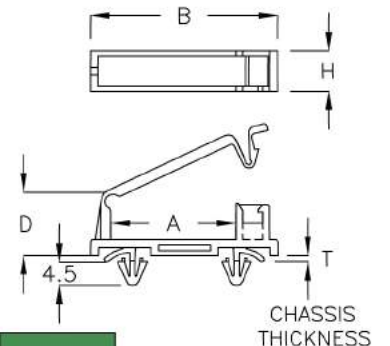
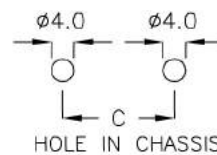
PART NO	A	B	C	D	E	T MAXIMUM THICKNESS	F	PACKAGE
CKK-03	19.1	31.0	16.0	18.6	4.0	3.0	4.9	500
CKK-3A	16.6	28.0	16.0	18.8	4.0	3.0	4.9	
CKK-3C	16.6	28.0	16.0	17.7	4.0	1.0	4.9	
CKK-04	24.1	34.3	20.0	17.9	4.0	3.0	4.9	
CKK-05	24.1	36.0	20.0	12.2	4.0	3.0	4.8	

6-81-2

電線固定座 WIRE MOUNT



MATERIAL: NYLON 66(UL)
FLAME CLASS: 94V-2
COLOR: NATURAL



WITH LOCK FEATURE

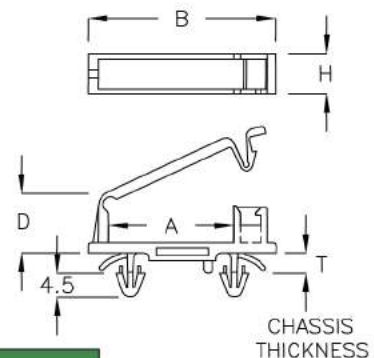
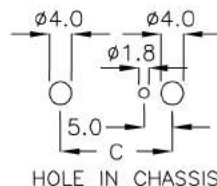
PART NO	A	B	C	D	H	T CHASSIS THICKNESS	PACKAGE
CKK-3F	16.6	27.0	16.0	17.3	15.0	0.8~1.0	200
CKK-05A	24.1	36.0	20.0	12.4	8.0	0.8~1.0	500
CKK-05D	28.1	40.0	20.0	13.3	8.0	0.8~1.0	

6-81-3

電線固定座 WIRE MOUNT



MATERIAL: NYLON 66(UL)
FLAME CLASS: 94V-2
COLOR: NATURAL



WITH LOCK FEATURE

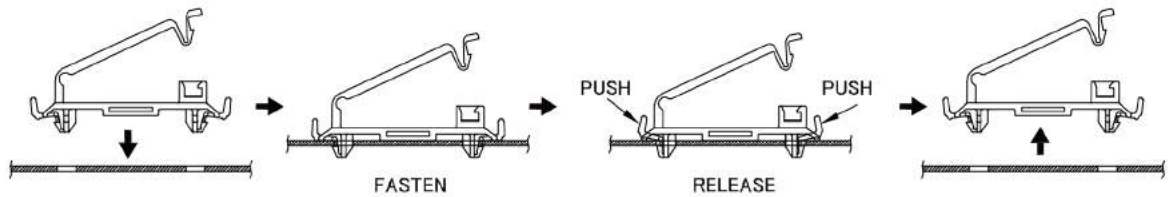
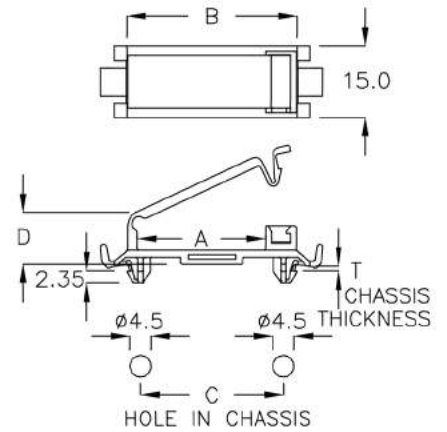
PART NO	A	B	C	D	H	T CHASSIS THICKNESS	PACKAGE
CKK-05C	24.1	36.0	20.0	12.4	8.0	0.8~2.0	500

電線固定座 WIRE MOUNT



MATERIAL: NYLON 66(UL)
FLAME CLASS: 94V-2
COLOR: NATURAL

可由板上拆卸



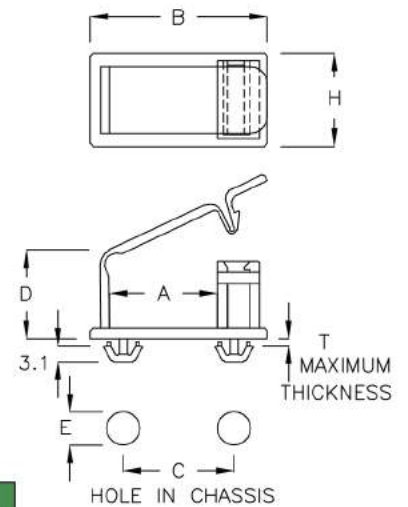
WITH LOCK FEATURE

PART NO	A	B	C	D	T CHASSIS THICKNESS	PACKAGE
CXR-27A	27.0	36.0	30.0	10.9	0.8	200

電線固定座 WIRE MOUNT



MATERIAL: NYLON 66(UL)
FLAME CLASS: 94V-2
COLOR: NATURAL



WITH LOCK FEATURE

PART NO	A	B	C	D	E	H	T MAXIMUM THICKNESS	PACKAGE
CKK-06	19.4	31.9	20.0	15.2	∅6.0	16.8	1.0	500
CKK-5K	24.1	36.0	20.0	8.9	∅4.0	8.0	1.0	

線材固定, 線材隔離 CABLE CLAMP, SADDLE

PINGOOD

6-83-1

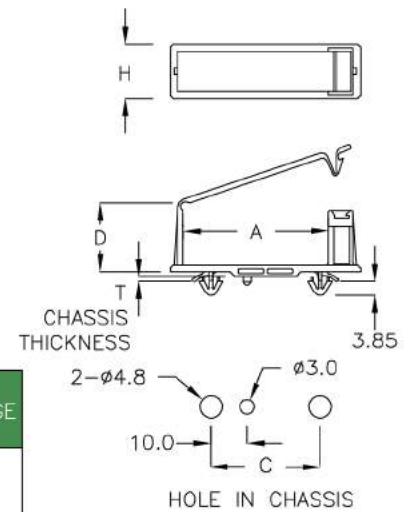
電線固定座 WIRE MOUNT



MATERIAL: NYLON 66(UL)
FLAME CLASS: 94V-2
COLOR: NATURAL, BLACK

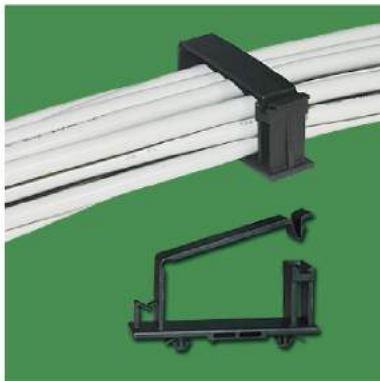
WITH LOCK FEATURE

PART NO	A	C	D	H	T CHASSIS THICKNESS	PACKAGE
CYA-40	40.0	30.0	10.3	15.0	0.8~1.0	100
CYA-40KM	40.0	33.0	23.4	15.0	0.8~1.0	
CYA-40PS	40.0	33.0	23.4	15.0	1.2~1.4	
CYA-45	45.0	30.0	13.8	17.0	0.8~1.0	
CYA-45AM	45.0	33.0	33.6	17.0	0.8~1.0	



6-83-2

電線固定座 WIRE MOUNT

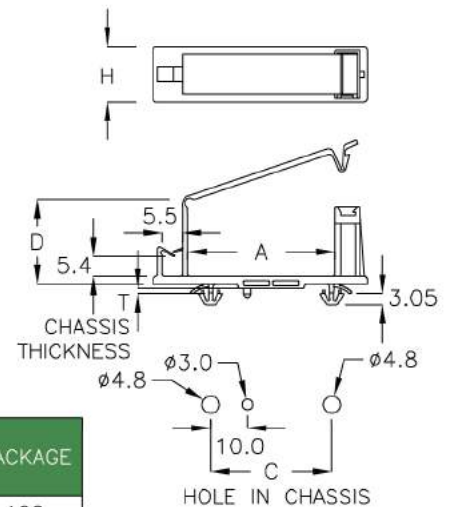


MATERIAL: NYLON 66(UL)
FLAME CLASS: 94V-2
COLOR: BLACK

NEW

★

PART NO	A	C	D	H	T CHASSIS THICKNESS	PACKAGE
CYG-40RT	40.0	33.0	23.2	15.0	0.8~1.0	100



6-83-3

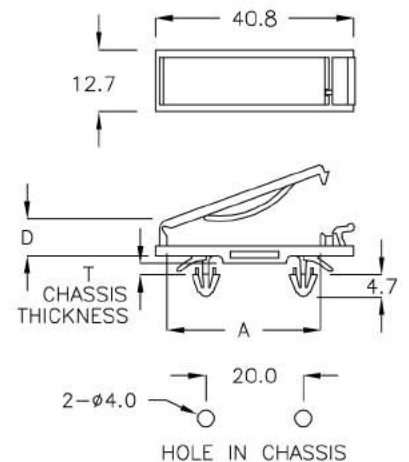
排線固定板 FLAT CABLE CLAMP



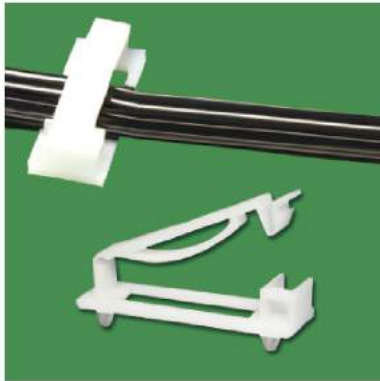
MATERIAL: NYLON 66(UL)
FLAME CLASS: 94V-2
COLOR: NATURAL

WITH LOCK FEATURE

PART NO	A	D	T CHASSIS THICKNESS	PACKAGE
FCC-20	31.3	7.1	0.8~2.0	500



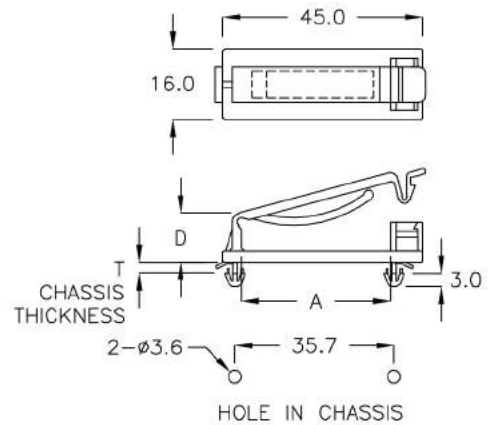
排線固定板 FLAT CABLE CLAMP



MATERIAL: NYLON 66(UL)
FLAME CLASS: 94V-2
COLOR: NATURAL

WITH LOCK FEATURE

PART NO	A	D	T P.C.B. THICKNESS	PACKAGE
FCS-20	33.6	10.7	1.4~1.6	200



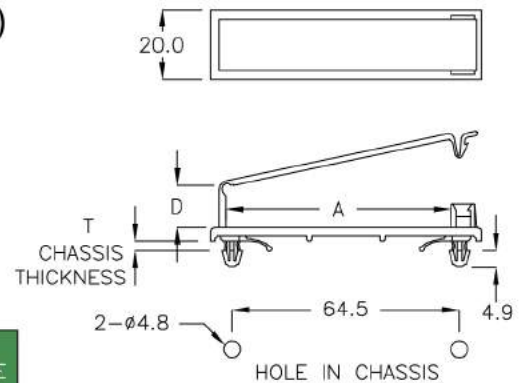
電線固定座 WIRE MOUNT



MATERIAL: NYLON 66(UL)
FLAME CLASS: 94V-2
COLOR: NATURAL

WITH LOCK FEATURE

PART NO	A	D	T CHASSIS THICKNESS	PACKAGE
FAA-50	64.0	7.0	1.8~2.3	100
FAA-51	64.0	13.7	1.8~2.3	



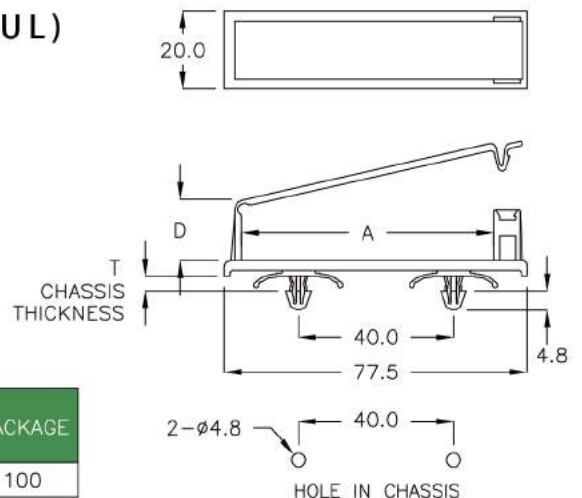
電線固定座 WIRE MOUNT



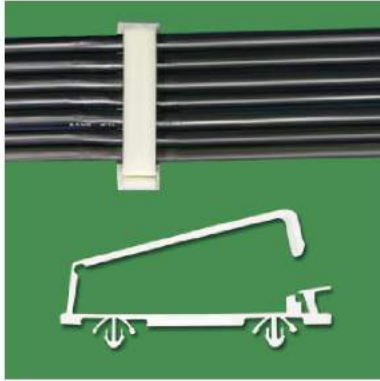
MATERIAL: NYLON 66(UL)
FLAME CLASS: 94V-2
COLOR: NATURAL

WITH LOCK FEATURE

PART NO	A	D	T CHASSIS THICKNESS	PACKAGE
FAA-51A	65.1	15.4	2.0~3.4	100



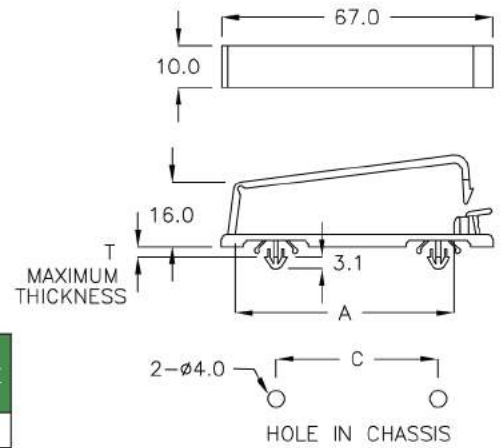
電線固定座 WIRE MOUNT



MATERIAL: NYLON 66(UL)
FLAME CLASS: 94V-2
COLOR: NATURAL

WITH LOCK FEATURE

PART NO	A	C	T MAXIMUM THICKNESS	PACKAGE
FCC-40A	53.5	40.0	2.0	100



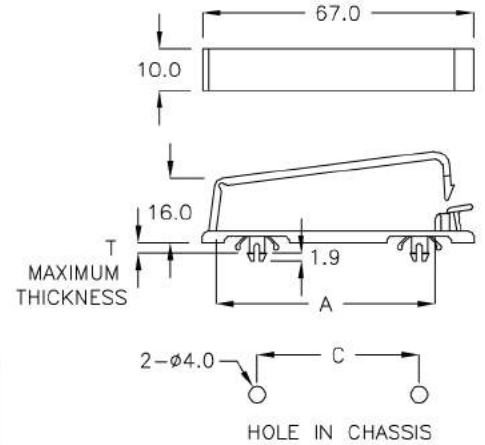
電線固定座 WIRE MOUNT



MATERIAL: NYLON 66(UL)
FLAME CLASS: 94V-2
COLOR: NATURAL

WITH LOCK FEATURE

PART NO	B	C	T MAXIMUM THICKNESS	PACKAGE
FCC-40D	53.5	40.0	2.0	100



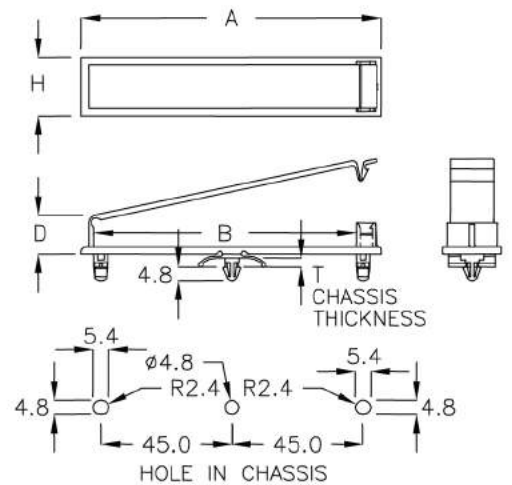
電線固定座 WIRE MOUNT



MATERIAL: NYLON 66(UL)
FLAME CLASS: 94V-2
COLOR: NATURAL

WITH LOCK FEATURE

PART NO	A	B	D	H	T CHASSIS THICKNESS	PACKAGE
CXK-90A	103.0	90.0	13.6	20.0	2.0~2.3	100

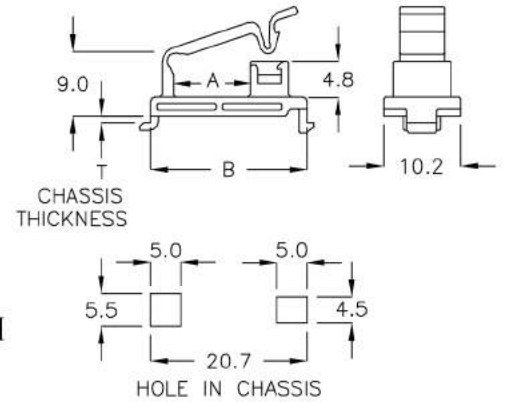
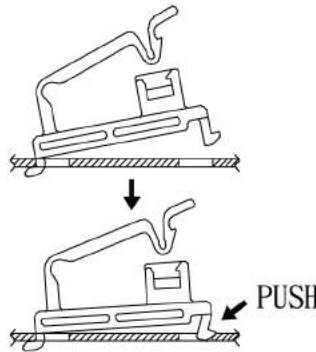


線材固定, 線材隔離 CABLE CLAMP, SADDLE

PINGOOD

6-86-1

電線固定座 WIRE MOUNT

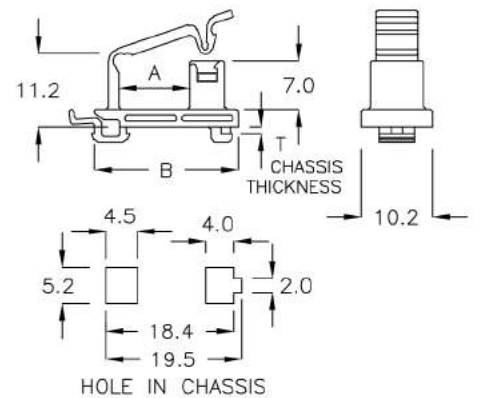
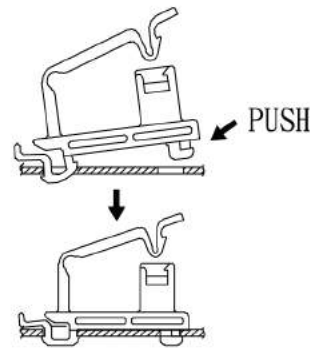


MATERIAL: NYLON 66(UL) WITH LOCK FEATURE
 FLAME CLASS: 94V-2
 COLOR: NATURAL

PART NO	A	B	T CHASSIS THICKNESS	PACKAGE
FCZ-10C	10.2	20.7	0.8	200

6-86-2

電線固定座 WIRE MOUNT

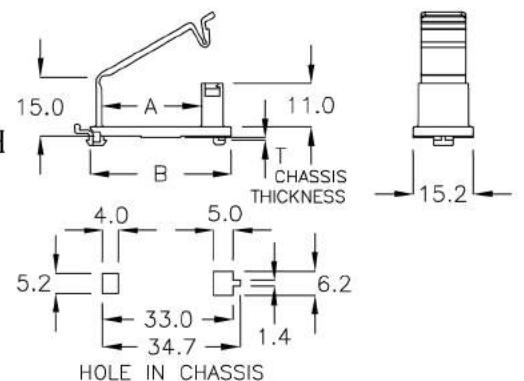
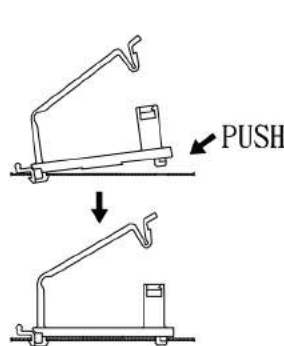


MATERIAL: NYLON 66(UL) WITH LOCK FEATURE
 FLAME CLASS: 94V-2
 COLOR: BLACK

PART NO	A	B	T CHASSIS THICKNESS	PACKAGE
FCX-10A	10.2	20.7	0.8	200

6-86-3

電線固定座 WIRE MOUNT



MATERIAL: NYLON 66(UL)
 FLAME CLASS: 94V-2
 COLOR: BLACK

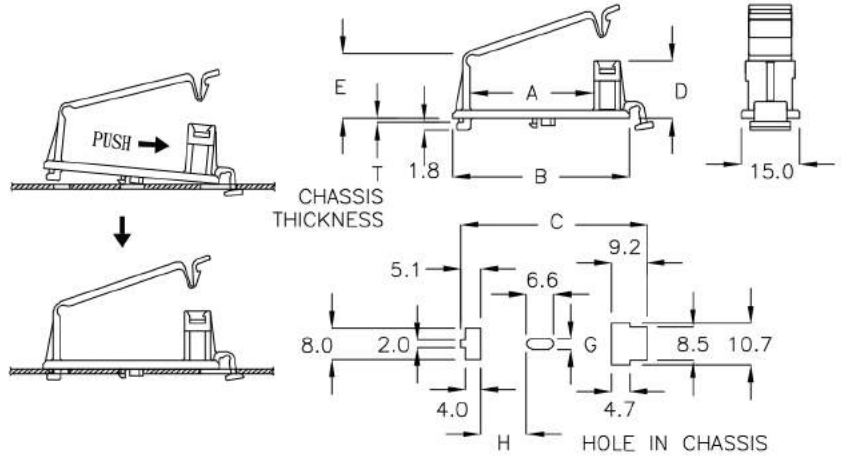
PART NO	A	B	T CHASSIS THICKNESS	PACKAGE
FCX-25GL	25.25	35.65	0.6	200

線材固定, 線材隔離 CABLE CLAMP, SADDLE

PINGOOD

6-87-1

電線固定座 WIRE MOUNT



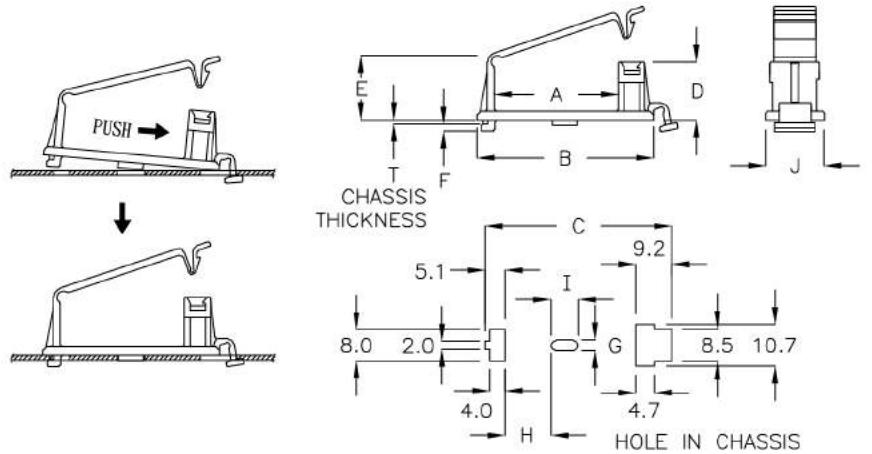
MATERIAL: NYLON 66(UL)
FLAME CLASS: 94V-2
COLOR: BLACK

WITH LOCK FEATURE

PART NO	A	B	C	D	E	G	H	T CHASSIS THICKNESS	PACKAGE
FCQ-31K	31.3	44.8	47.8	14.75	17.0	2.6	12.8	0.8	200

6-87-2

電線固定座 WIRE MOUNT



MATERIAL: NYLON 66(UL)
FLAME CLASS: 94V-2
COLOR: BLACK

WITH LOCK FEATURE

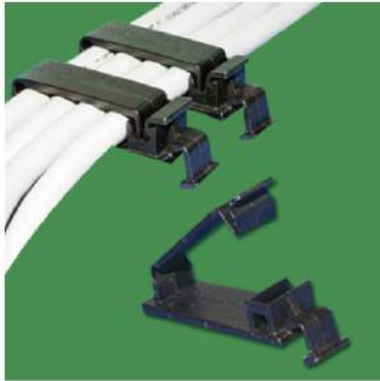
PART NO	A	B	C	D	E	F	G	H	I	J	T CHASSIS THICKNESS	PACKAGE
FCQ-19A	19.4	31.9	33.35	14.0	16.0	1.8	2.3	6.75	6.65	16.8	0.7~0.8	200
FCQ-27	27.0	40.5	43.3	14.75	17.0	1.8	2.3	11.7	6.65	15.0	0.7~0.8	
FCQ-31HS	31.3	44.8	47.8	14.75	17.0	1.0	2.6	12.8	6.65	15.0	0.7~0.8	
FCQ-31GR	31.6	45.0	47.8	14.75	16.6	1.0	2.6	12.8	6.6	15.0	1.2	

線材固定, 線材隔離 CABLE CLAMP, SADDLE

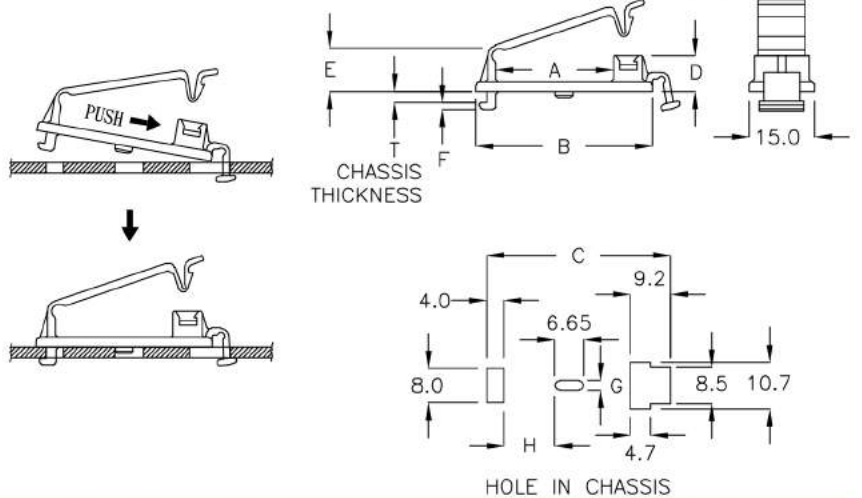
PINGOOD

6-88-1

電線固定座 WIRE MOUNT



MATERIAL: NYLON 66(UL)
FLAME CLASS: 94V-2
COLOR: BLACK



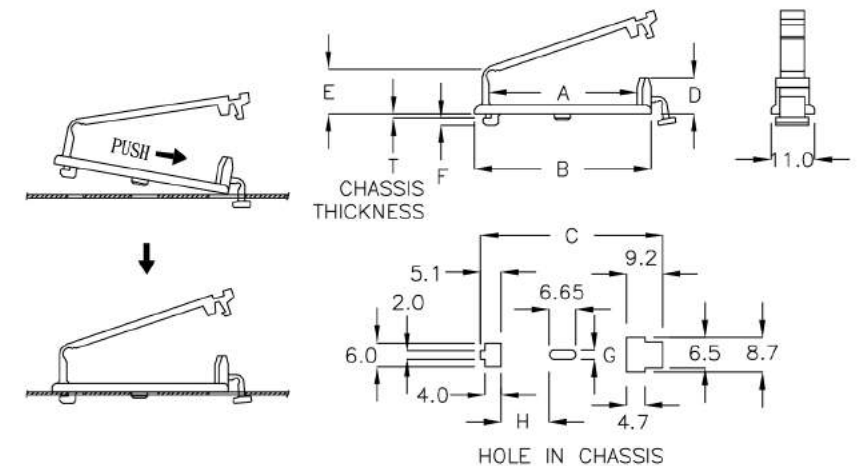
PART NO	A	B	C	D	E	F	G	H	T CHASSIS THICKNESS	PACKAGE
FCQ-27LR	27.0	40.5	42.2	8.2	10.0	1.5	2.3	11.7	2.4	200

6-88-2

電線固定座 WIRE MOUNT



MATERIAL: NYLON 66(UL)
FLAME CLASS: 94V-2
COLOR: BLACK



PART NO	A	B	C	D	E	F	G	H	T CHASSIS THICKNESS	PACKAGE
FCQ-35JK	37.1	44.3	45.75	9.05	11.4	1.8	2.3	12.1	0.8	100

6-88-3

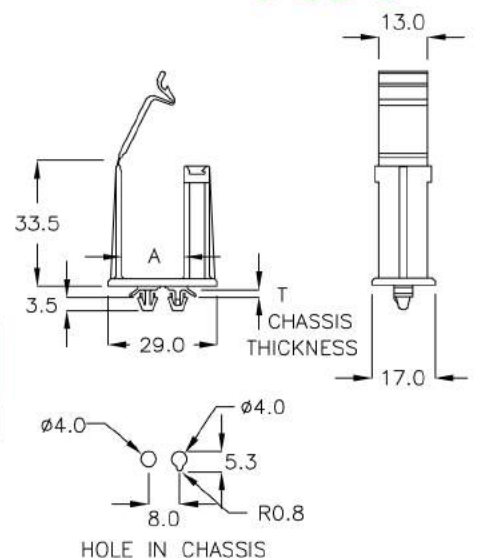
電線固定座 WIRE MOUNT



MATERIAL: NYLON 66(UL)
FLAME CLASS: 94V-2
COLOR: NATURAL

WITH LOCK FEATURE

PART NO	A	T CHASSIS THICKNESS	PACKAGE
CYB-16A	16.7	0.8~1.2	100

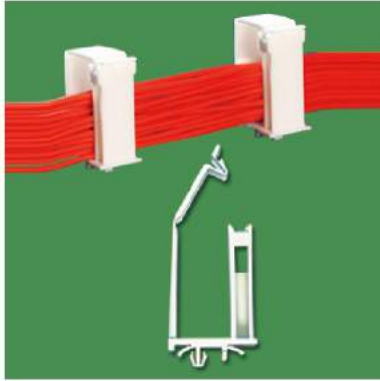


線材固定, 線材隔離 CABLE CLAMP, SADDLE

PINGOOD

6-89-1

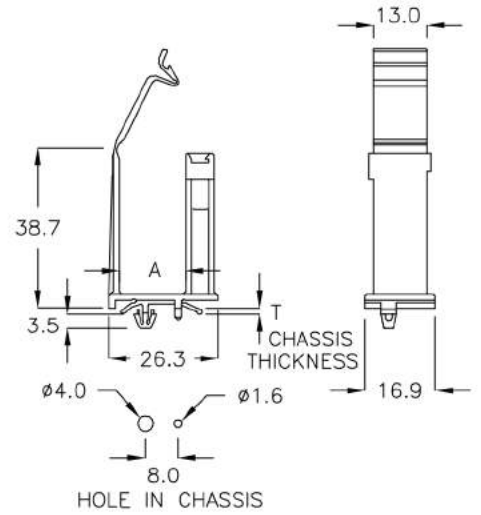
電線固定座 WIRE MOUNT



MATERIAL: NYLON 66(UL)
FLAME CLASS: 94V-2
COLOR: NATURAL, BLACK

WITH LOCK FEATURE

PART NO	A	T CHASSIS THICKNESS	PACKAGE
CYC-16F	16.0	0.8~1.0	100



6-89-2

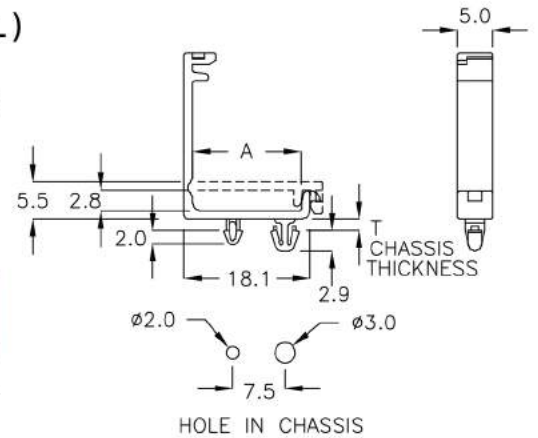
電線固定座 WIRE MOUNT



MATERIAL: NYLON 66(UL)
FLAME CLASS: 94V-2
COLOR: NATURAL, BLACK

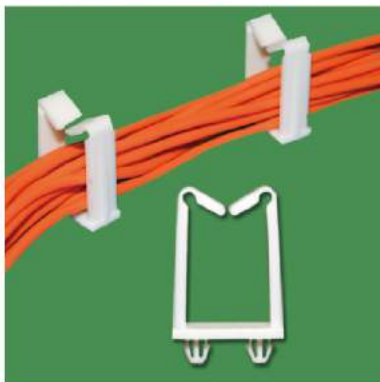
WITH LOCK FEATURE

PART NO	A	T CHASSIS THICKNESS	PACKAGE
CYQ-15A	15.7	1.5	500



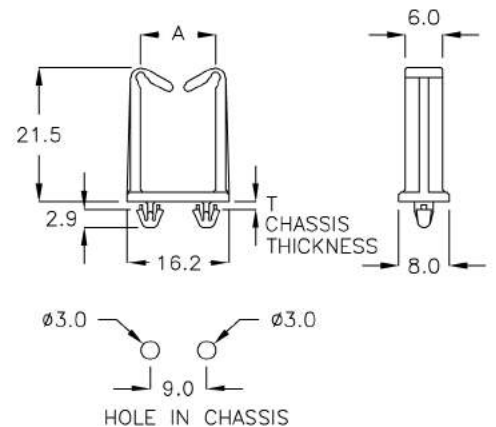
6-89-3

電線固定座 WIRE MOUNT



MATERIAL: NYLON 66(UL)
FLAME CLASS: 94V-2
COLOR: NATURAL

PART NO	A	T CHASSIS THICKNESS	PACKAGE
CYL-12M	12.0	1.0	500

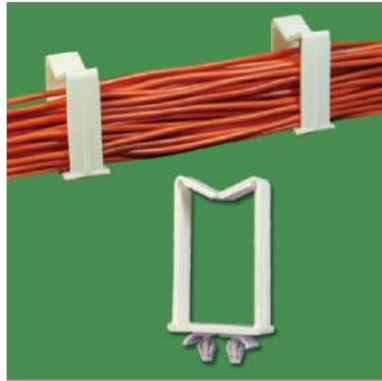


線材固定, 線材隔離 CABLE CLAMP, SADDLE

PINGOOD

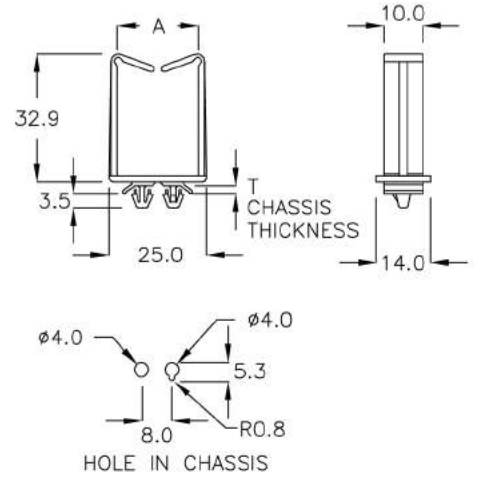
6-90-1

電線固定座 WIRE MOUNT



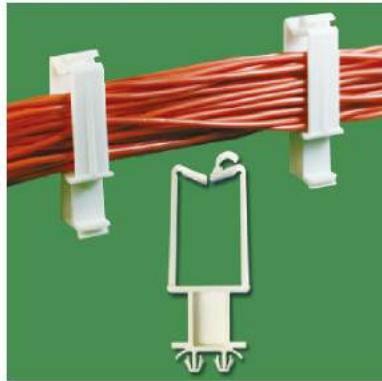
MATERIAL: NYLON 66(UL)
FLAME CLASS: 94V-2
COLOR: NATURAL

PART NO	A	T CHASSIS THICKNESS	PACKAGE
CYD-20A	20.8	0.8~1.2	100



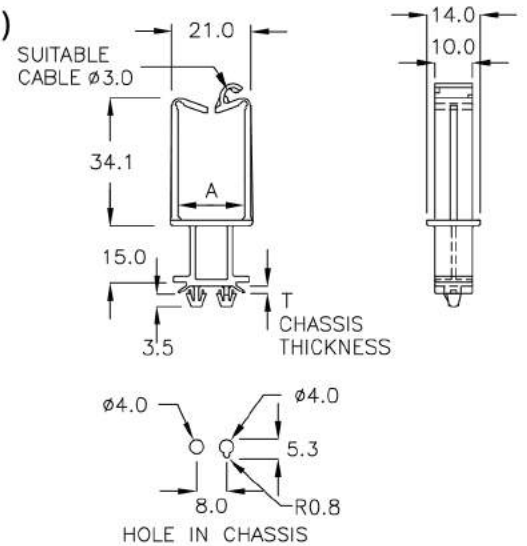
6-90-2

隔離束線座 WIRE SADDLE



MATERIAL: NYLON 66(UL)
FLAME CLASS: 94V-2
COLOR: NATURAL

PART NO	A	T CHASSIS THICKNESS	PACKAGE
CYM-17A	17.8	0.8~1.2	100



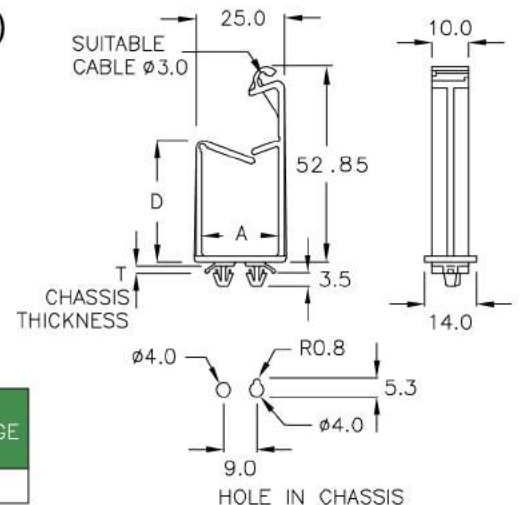
6-90-3

電線固定座 WIRE MOUNT



MATERIAL: NYLON 66(UL)
FLAME CLASS: 94V-2
COLOR: NATURAL

PART NO	A	D	T CHASSIS THICKNESS	PACKAGE
CYR-20K	20.8	32.8	0.8~1.2	100

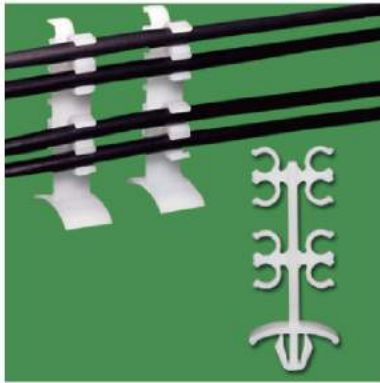


線材固定, 線材隔離 CABLE CLAMP, SADDLE

PINGOOD

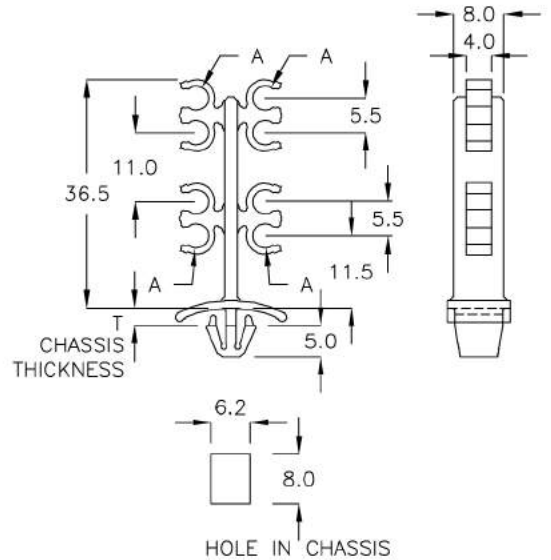
6-92-1

隔離束線座 WIRE SADDLE



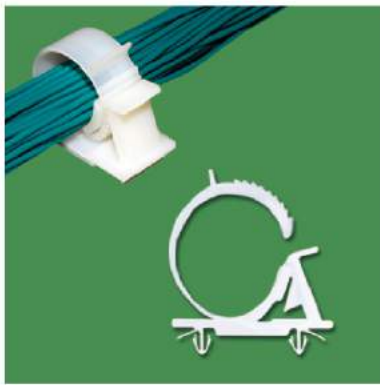
MATERIAL: POM
FLAME CLASS: 94-HB
COLOR: NATURAL

PART NO	A	T CHASSIS THICKNESS	PACKAGE
CTM-44P	ø4.0	1.0~2.0	200



6-92-2

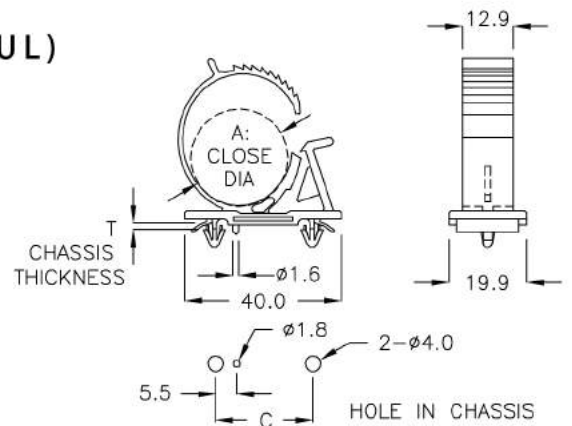
電線固定座 WIRE MOUNT



MATERIAL: NYLON 66(UL)
FLAME CLASS: 94V-2
COLOR: NATURAL

WITH LOCK FEATURE

PART NO	A CLOSE DIA	C	T CHASSIS THICKNESS	PACKAGE
FWW-40	ø22.5~ø26.5	25.0	0.8~2.0	100
FWW-40C	ø22.5~ø26.5	25.0	0.8~1.2	



6-92-3

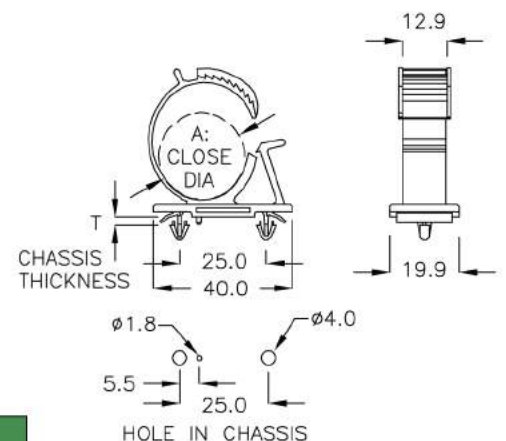
電線固定座 WIRE MOUNT



MATERIAL: NYLON 66(UL)
FLAME CLASS: 94V-2
COLOR: NATURAL

WITH LOCK FEATURE

PART NO	A CLOSE DIA	T CHASSIS THICKNESS	PACKAGE
FWQ-40	ø22.5~ø26.5	0.8~2.0	100

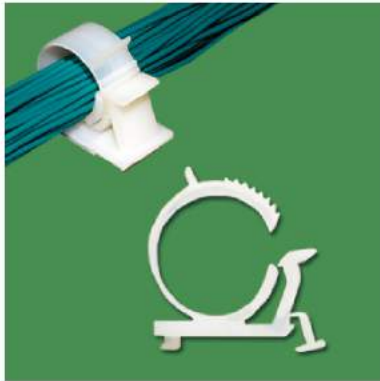


線材固定, 線材隔離 CABLE CLAMP, SADDLE

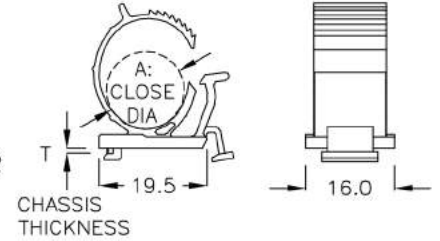
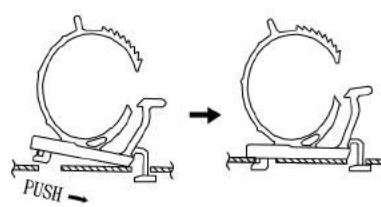
PINGOOD

6-93-1

電線固定座 WIRE MOUNT

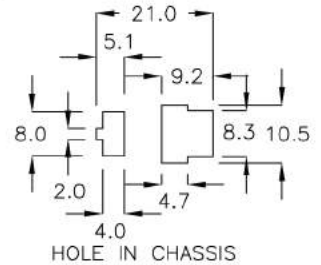


MATERIAL: NYLON 66(UL)
FLAME CLASS: 94V-2
COLOR: NATURAL



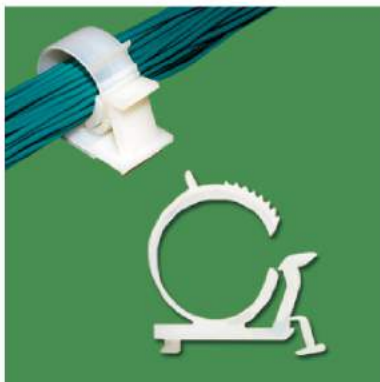
WITH LOCK FEATURE

PART NO	A CLOSE DIA	T CHASSIS THICKNESS	PACKAGE
FW-24	ø13.0~ø14.5	0.8	200

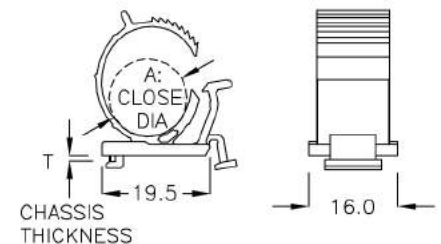
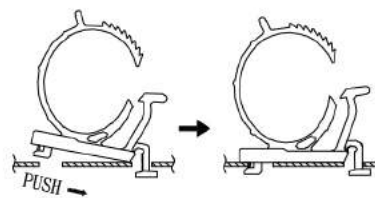


HOLE IN CHASSIS

電線固定座 TIE MOUNT

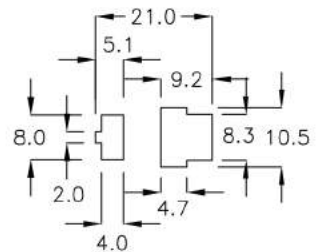


MATERIAL: NYLON 66(UL)
FLAME CLASS: 94V-2
COLOR: NATURAL



WITH LOCK FEATURE

PART NO	A CLOSE DIA	T CHASSIS THICKNESS	PACKAGE
FW-24CM	ø12.5~15.0	1.0	200



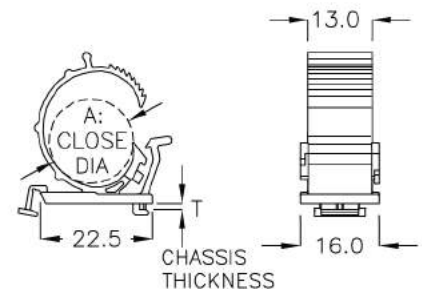
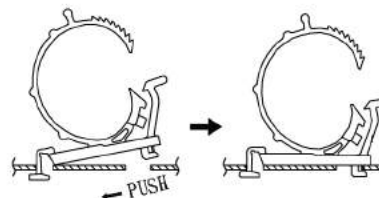
HOLE IN CHASSIS

6-93-3

電線固定座 TIE MOUNT

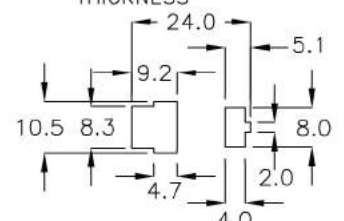


MATERIAL: NYLON 66(UL)
FLAME CLASS: 94V-2
COLOR: BLACK



WITH LOCK FEATURE

PART NO	A CLOSE DIA	T CHASSIS THICKNESS	PACKAGE
FDH-14J	ø14.5~17.0	1.0	100



HOLE IN CHASSIS

線材固定, 線材隔離 CABLE CLAMP, SADDLE

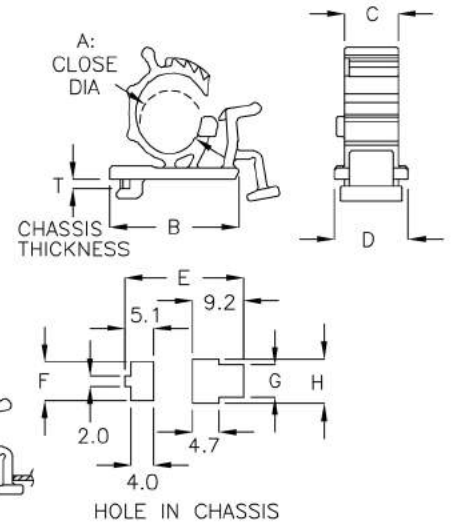
PINGOOD

6-94-1

電線固定座 TIE MOUNT



MATERIAL: NYLON 66(UL)
FLAME CLASS: 94V-2
COLOR: BLACK



WITH LOCK FEATURE

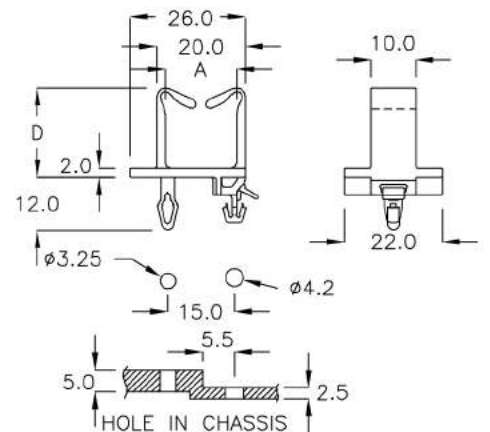
PART NO	A CLOSE DIA	B	C	D	E	F	G	H	T CHASSIS THICKNESS	PACKAGE
FWR-6A	ø6.0~7.0	15.85	6.5	9.0	17.7	7.0	5.8	8.0	0.9~1.1	500
FWR-7M	ø7.5~8.5	16.0	6.5	9.0	17.7	7.0	5.8	8.0	0.9~1.1	
FWR-9C	ø8.5~10.0	18.8	13.0	16.0	21.0	8.0	8.3	10.5	0.9~1.0	200

6-94-2

隔離束線座 WIRE SADDLE



MATERIAL: PP
COLOR: BLACK



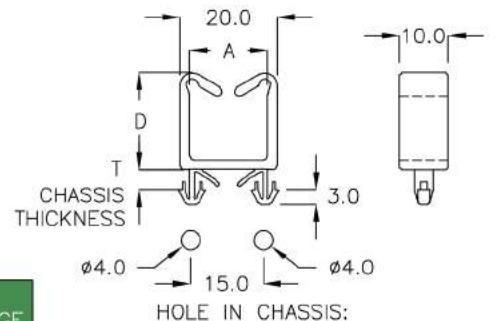
PART NO	A	D	PACKAGE
CRN-16	16.0	20.0	200

6-94-3

隔離束線座 WIRE SADDLE



MATERIAL: NYLON 66(UL)
FLAME CLASS: 94V-2
COLOR: NATURAL, BLACK



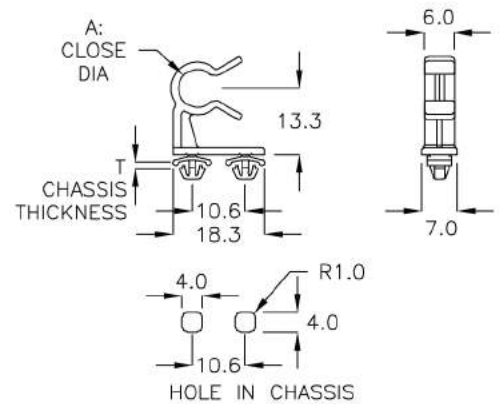
PART NO	A	D	T CHASSIS THICKNESS	PACKAGE
CRC-16K	16.0	20.0	0.8~2.3	200

隔離束線座 WIRE SADDLE

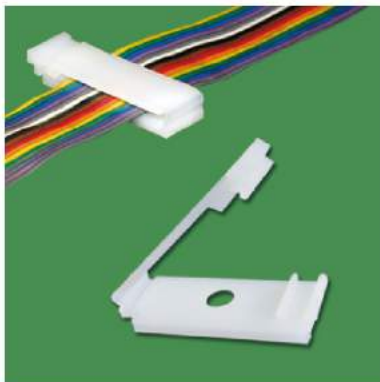


MATERIAL: NYLON 66(UL)
FLAME CLASS: 94V-2
COLOR: BLACK

PART NO	A CLOSE DIA	T CHASSIS THICKNESS	PACKAGE
CMW-08	ø7.7	0.8	500



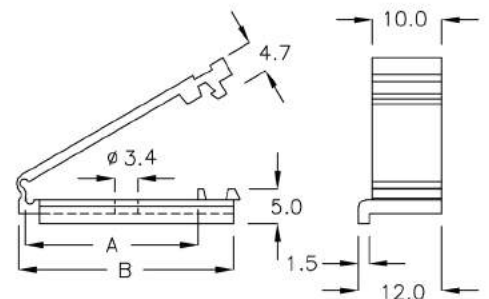
排線固定板 FLAT CABLE CLAMP



MATERIAL: NYLON 66(UL)
FLAME CLASS: 94V-2
COLOR: NATURAL

WITH LOCK FEATURE

PART NO	A	B	PACKAGE
FCM-25J	24.8	31.0	200



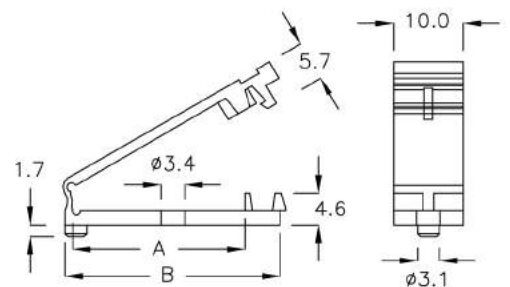
排線固定板 FLAT CABLE CLAMP



MATERIAL: NYLON 66(UL)
FLAME CLASS: 94V-2
COLOR: NATURAL

WITH LOCK FEATURE

PART NO	A	B	PACKAGE
FCM-26	24.8	31.0	200



線材固定, 線材隔離 CABLE CLAMP, SADDLE

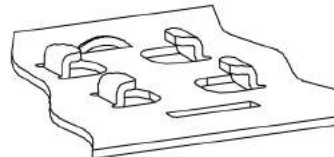
PINGOOD

6-96-1

排線固定板 FLAT CABLE CLAMP



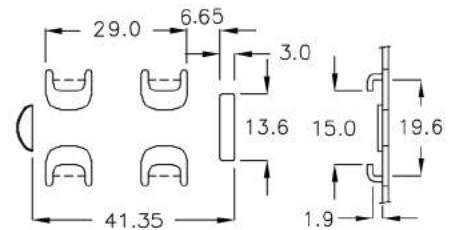
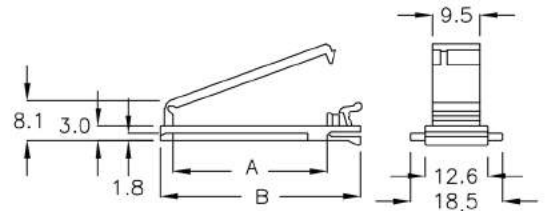
MATERIAL: NYLON 66(UL)
FLAME CLASS: 94V-2
COLOR: NATURAL



HOLE IN CHASSIS

WITH LOCK FEATURE

PART NO	A	B	PACKAGE
LFD-25	31.2	40.5	200



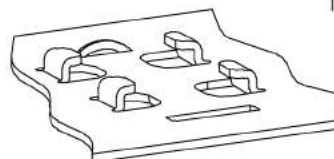
HOLE IN CHASSIS

排線固定板 FLAT CABLE CLAMP

6-96-2



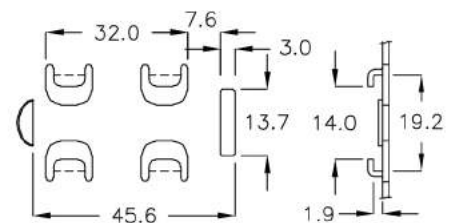
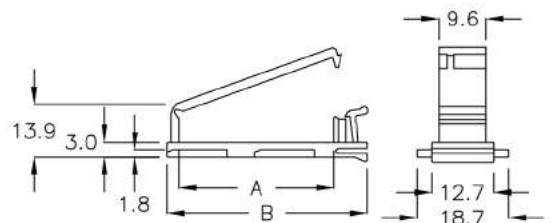
MATERIAL: NYLON 66(UL)
FLAME CLASS: 94V-2
COLOR: NATURAL



HOLE IN CHASSIS

WITH LOCK FEATURE

PART NO	A	B	PACKAGE
LFN-36C	36.0	45.0	100



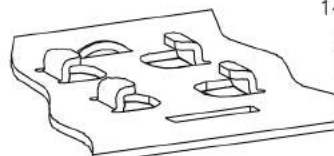
HOLE IN CHASSIS

排線固定板 FLAT CABLE CLAMP

6-96-3



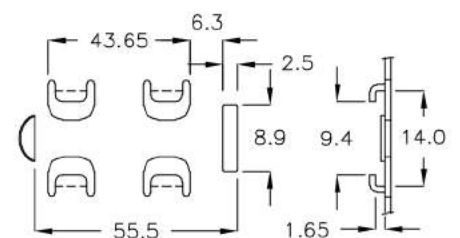
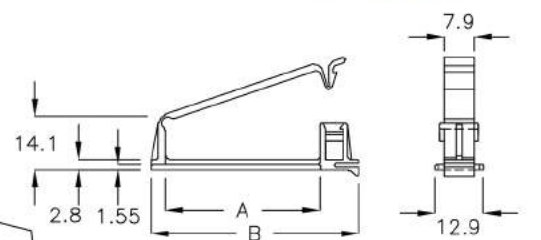
MATERIAL: NYLON 66(UL)
FLAME CLASS: 94V-2
COLOR: NATURAL



HOLE IN CHASSIS

WITH LOCK FEATURE

PART NO	A	B	PACKAGE
LFN-40K	40.75	54.65	100



HOLE IN CHASSIS

電線固定板 CABLE CLAMP

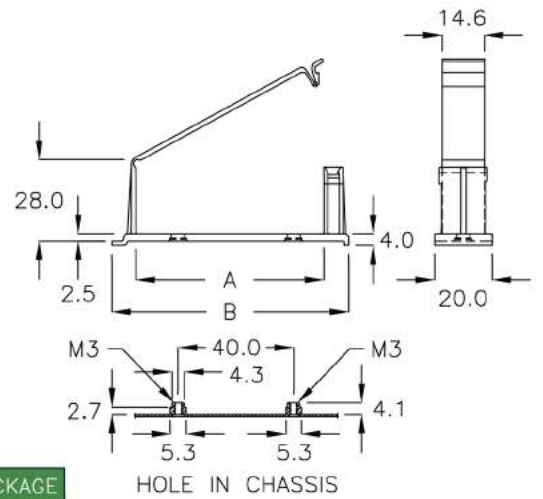


NEW

MATERIAL: NYLON 66(UL)
FLAME CLASS: 94V-2
COLOR: BLACK

WITH LOCK FEATURE

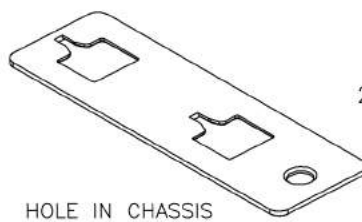
PART NO	A	B	PACKAGE
★ FCWA-65KC	65.1	82.1	100



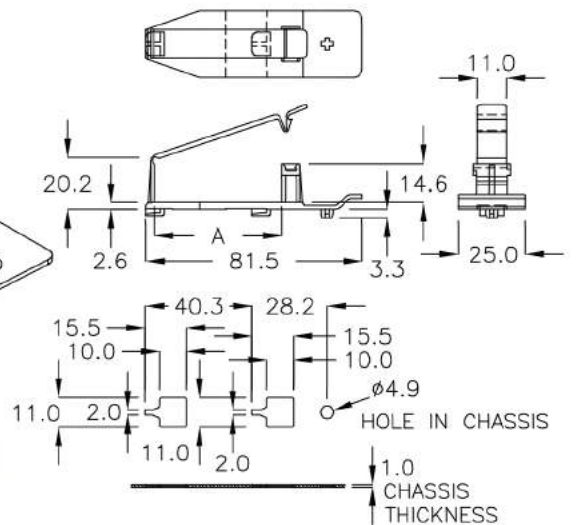
電線固定座 WIRE MOUNT



MATERIAL: NYLON 66(UL)
FLAME CLASS: 94V-2
COLOR: BLACK



PART NO	A	PACKAGE
FCA-48C	48.0	100



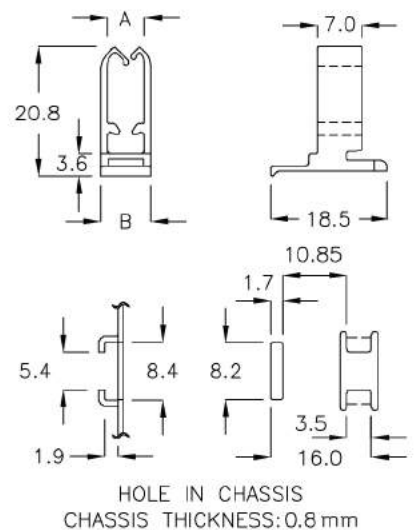
電線固定座 WIRE MOUNT



MATERIAL: NYLON 66(UL)
FLAME CLASS: 94V-2
COLOR: BLACK



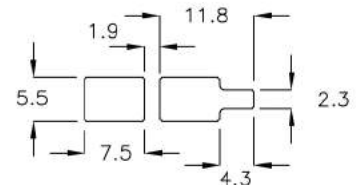
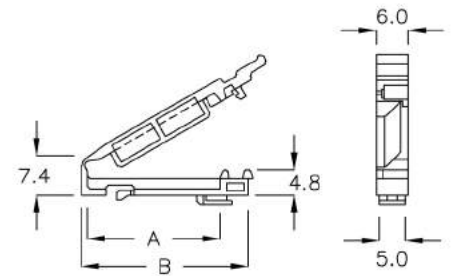
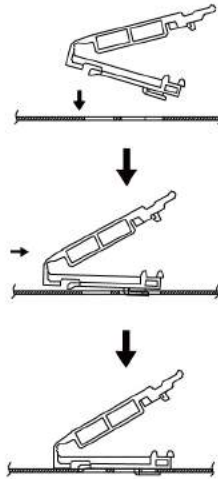
PART NO	A	B	PACKAGE
CYJ-6F	6.0	8.0	500



排線固定板 FLAT CABLE CLAMP



MATERIAL: NYLON 66(UL)
FLAME CLASS: 94V-2
COLOR: NATURAL, BLACK



HOLE IN CHASSIS
 CHASSIS THICKNESS: 0.8 mm

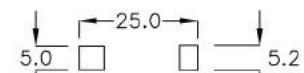
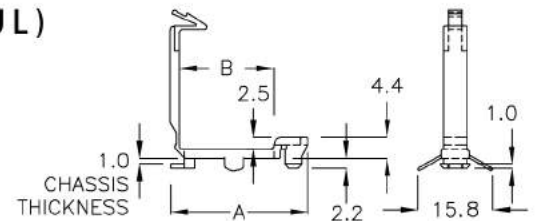
WITH LOCK FEATURE

PART NO	A	B	PACKAGE
FCK-31M	24.9	31.3	500

排線固定板 FLAT CABLE CLAMP



MATERIAL: NYLON 66(UL)
FLAME CLASS: 94V-2
COLOR: NATURAL



HOLE IN CHASSIS
 CHASSIS THICKNESS: 1.0 mm

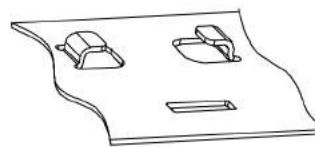
WITH LOCK FEATURE

PART NO	A	B	PACKAGE
CUD-20	29.0	20.0	200

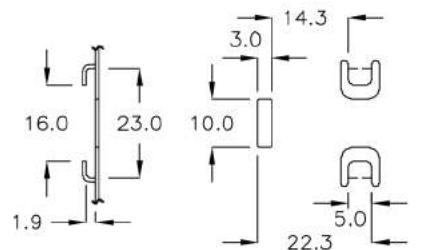
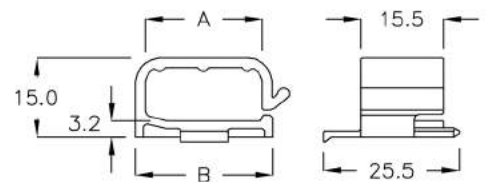
電線固定座 WIRE MOUNT



MATERIAL: NYLON 66(UL)
FLAME CLASS: 94V-2
COLOR: BLACK



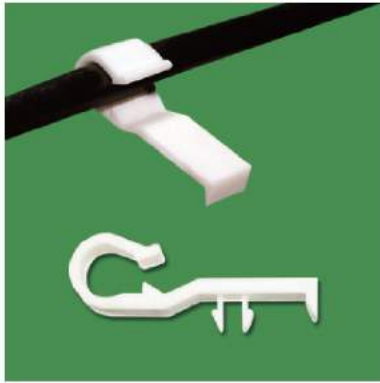
HOLE IN CHASSIS



HOLE IN CHASSIS
 CHASSIS THICKNESS: 0.8 mm

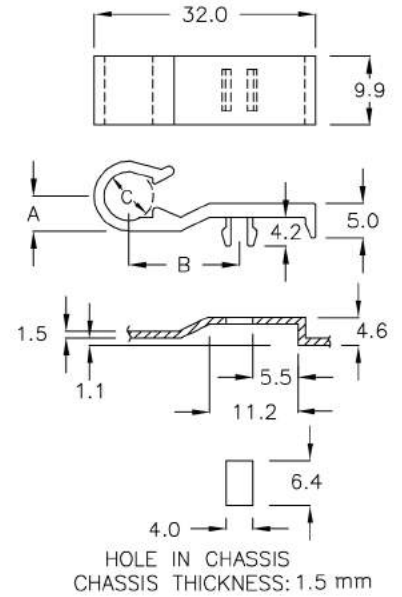
PART NO	A	B	PACKAGE
FYC-22H	22.0	25.8	200

電線固定座 WIRE MOUNT



MATERIAL: NYLON 66(UL)
FLAME CLASS: 94V-2
COLOR: NATURAL

PART NO	A	B	C	PACKAGE
CU-07C	5.0	16.0	∅6.9	500

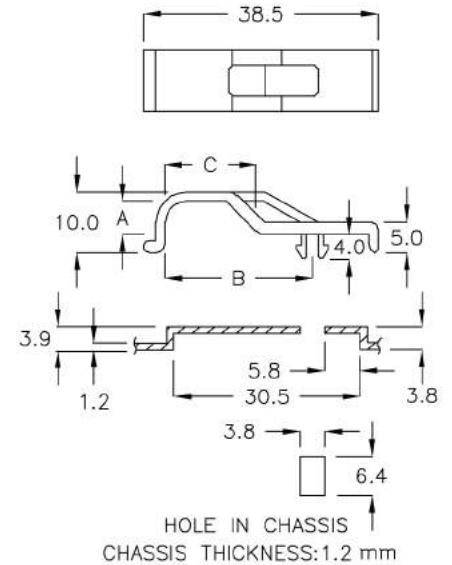


壓線座 WIRE MOUNT



MATERIAL: NYLON 66(UL)
FLAME CLASS: 94V-2
COLOR: NATURAL

PART NO	A	B	C	PACKAGE
CU-07F	5.5	24.2	15.0	500

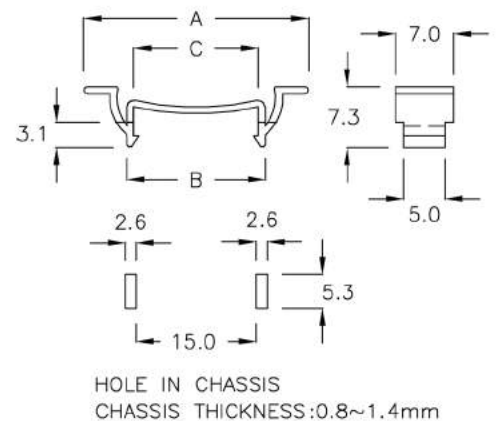


排線固定夾 FLAT CABLE CLAMP



MATERIAL: NYLON 66(UL)
FLAME CLASS: 94V-2
COLOR: NATURAL

PART NO	A	B	C	PACKAGE
FBC-15	27.0	16.6	15.0	500

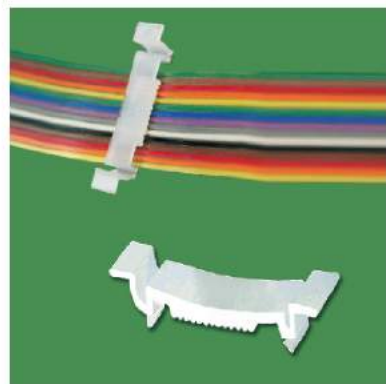


線材固定, 線材隔離 CABLE CLAMP, SADDLE

PINGOOD

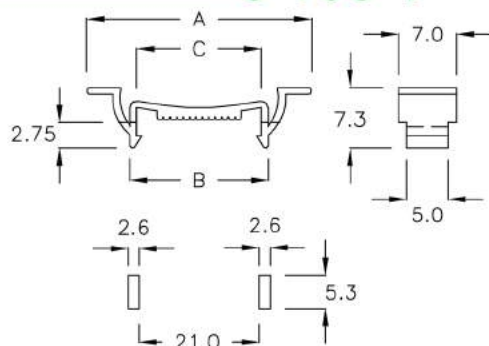
6-100-1

排線固定夾 FLAT CABLE CLAMP



MATERIAL: NYLON 66(UL)
FLAME CLASS: 94V-2
COLOR: NATURAL

PART NO	A	B	C	PACKAGE
FBC-21	33.0	22.6	21.0	500



HOLE IN CHASSIS
CHASSIS THICKNESS: 1.2mm

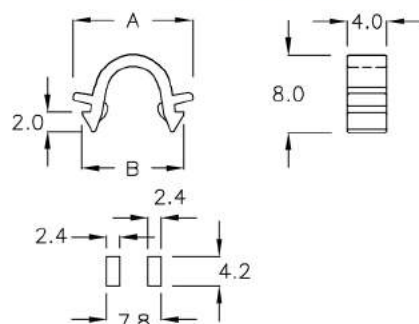
6-100-2

電線固定扣 WIRE CLIP



MATERIAL: NYLON 66(UL)
FLAME CLASS: 94V-2
COLOR: BLACK

PART NO	A	B	PACKAGE
FBM-10A	12.35	10.45	2000



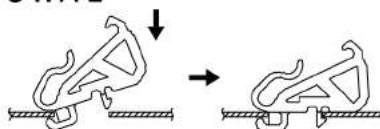
HOLE IN CHASSIS
CHASSIS THICKNESS: 0.6mm

6-100-3

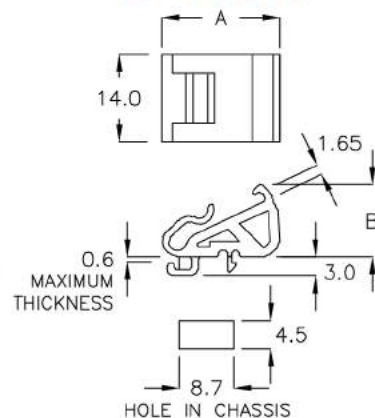
電線固定座 CABLE CLAMP



MATERIAL: NYLON 66(UL)
FLAME CLASS: 94V-2
COLOR: NATURAL



PART NO	A	B	PACKAGE
FDP-19	18.8	11.55	500



6-100-4

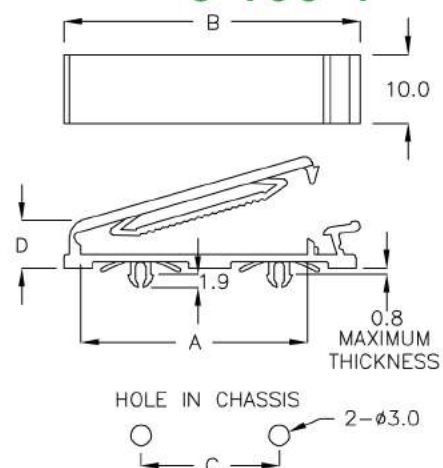
排線固定板 FLAT CABLE CLAMP



MATERIAL: NYLON 66(UL)
FLAME CLASS: 94V-2
COLOR: NATURAL

WITH LOCK FEATURE

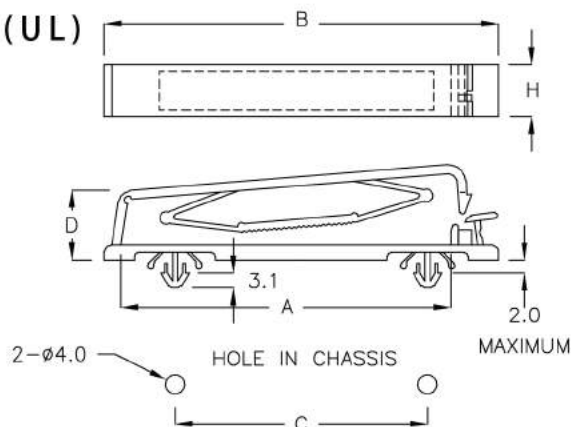
PART NO	A	B	C	D	PACKAGE
FCJ-25K	32.7	42.7	20.0	6.9	100



排線固定夾 FLAT CABLE CLAMP



MATERIAL: NYLON 66(UL)
FLAME CLASS: 94V-2
COLOR: NATURAL



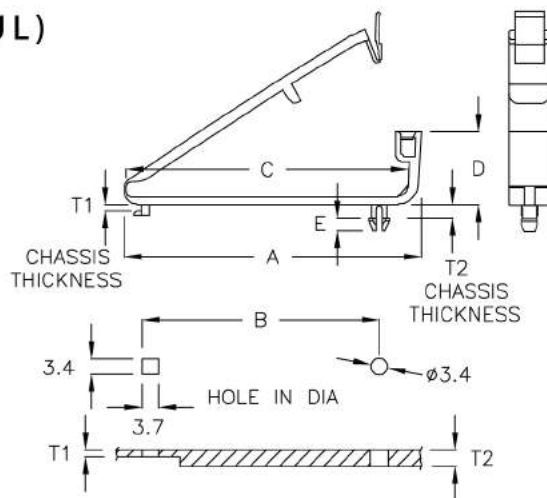
WITH LOCK FEATURE

PART NO	A	B	C	D	H	SUITABLE CABLE	PACKAGE
FCC-15A	14.4	32.6	15.0	13.7	9.1	10 PIN	200
FCC-25A	25.0	39.6	20.0	13.0	13.3	20 PIN	
FCC-30A	39.6	55.0	35.0	13.0	12.5	30 PIN	100
FCC-40B	54.0	67.0	40.0	16.2	10.0	40 PIN	
FCC-50A	64.6	77.6	49.7	13.6	10.1	50 PIN	
FCC-50C	64.3	77.0	49.7	12.8	10.0	50 PIN	

排線固定板 FLAT CABLE CLAMP



MATERIAL: NYLON 66(UL)
FLAME CLASS: 94V-2
COLOR: BLACK
ASSEMBLY:
 1. INSERT ASLOPE
 2. DEPRESS THE CLAMP



WITH LOCK FEATURE

PART NO	A	B	C	D	E	T1	T2	PACKAGE
FCG-60A	58.2	46.7	55.3	14.6	2.5	1.0	2.4	100
FCG-60C	58.2	46.7	55.3	11.9	1.8	1.0	1.0	

6-102-1

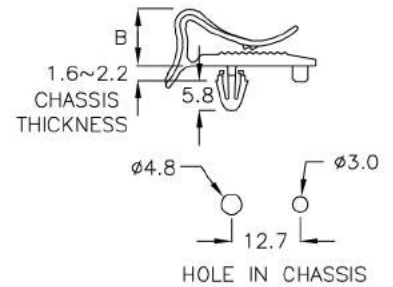
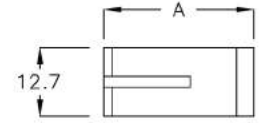
排線固定板 FLAT CABLE CLAMP



MATERIAL: NYLON 66(UL)
FLAME CLASS: 94V-2
COLOR: NATURAL

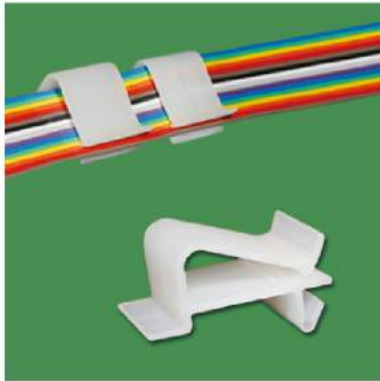
WITH LOCK FEATURE

PART NO	A	B	PACKAGE
FC-27N	27.8	10.5	500



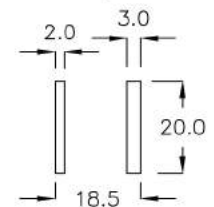
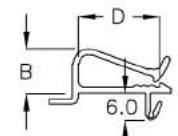
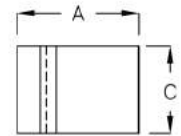
6-102-2

排線固定板 FLAT CABLE CLAMP



MATERIAL: NYLON 66(UL)
FLAME CLASS: 94V-2
COLOR: NATURAL
ASSEMBLY:
 1.INSERT ASLOPE
 2.DEPRESS THE MOUNT

PART NO	A	B	C	D	PACKAGE
LFC-01	26.4	9.6	19.0	17.6	200



HOLE IN CHASSIS
 CHASSIS THICKNESS:1.2mm

6-102-3

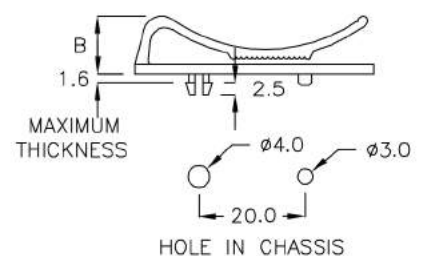
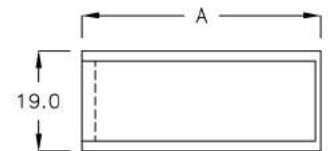
排線固定板 FLAT CABLE CLIP



MATERIAL: NYLON 66(UL)
FLAME CLASS: 94V-2
COLOR: NATURAL

WITH LOCK FEATURE

PART NO	A	B	PACKAGE
FC-45N	45.0	10.9	200

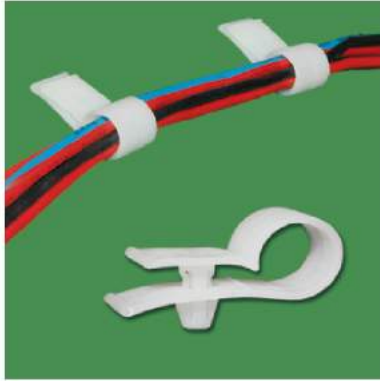


線材固定, 線材隔離 CABLE CLAMP, SADDLE

PINGOOD

6-103-1

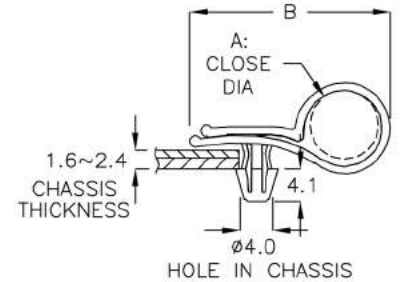
電線固定扣 WIRE CLIP



MATERIAL: NYLON 66(UL)
FLAME CLASS: 94V-2
COLOR: NATURAL

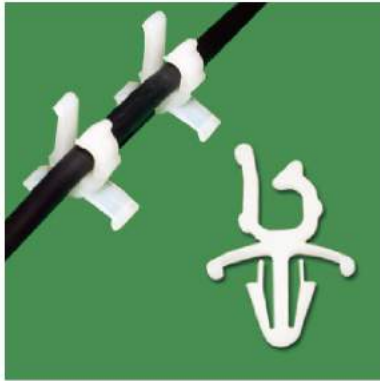
WITH LOCK FEATURE

PART NO	A CLOSE DIA	B	PACKAGE
PC-08T	ø7.8	24.4	500
PC-10T	ø10.0	29.3	



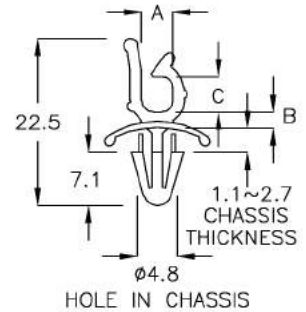
6-103-2

隔離束線座 WIRE CLIP



MATERIAL: NYLON 66(UL)
FLAME CLASS: 94V-2
COLOR: NATURAL

PART NO	A	B	C	PACKAGE
TA-5	4.2	2.5	4.7	1000



6-103-3

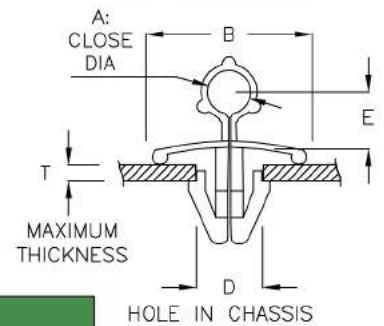
電線固定扣 WIRE CLIP



MATERIAL: NYLON 66(UL)
FLAME CLASS: 94V-2
COLOR: NATURAL

WITH LOCK FEATURE

PART NO	A CLOSE DIA	B	D HOLE IN CHASSIS	E	T MAXIMUM THICKNESS	PACKAGE
TA-3C	ø3.8	15.5	ø6.5	5.7	1.6	1000



6-103-4

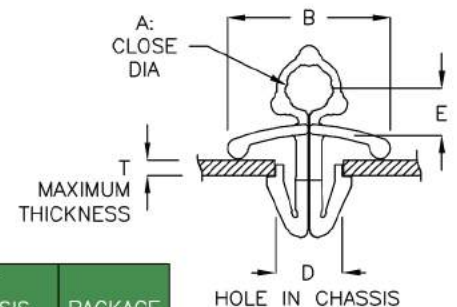
電線固定扣 WIRE CLIP



MATERIAL: NYLON 66(UL)
FLAME CLASS: 94V-2
COLOR: NATURAL

WITH LOCK FEATURE

PART NO	A CLOSE DIA	B	D HOLE IN CHASSIS	E	T CHASSIS THICKNESS	PACKAGE
TA-2K	ø2.9	12.0	ø4.5	3.5	0.6~1.6	1000



線材固定, 線材隔離 CABLE CLAMP, SADDLE

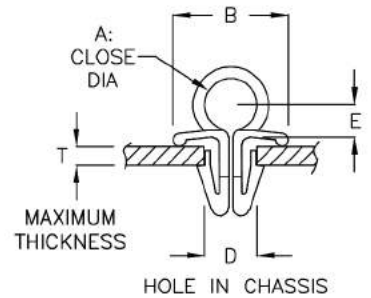
PINGOOD

6-104-1

電線固定扣 WIRE CLIP



MATERIAL: NYLON 66(UL)
FLAME CLASS: 94V-2
COLOR: NATURAL

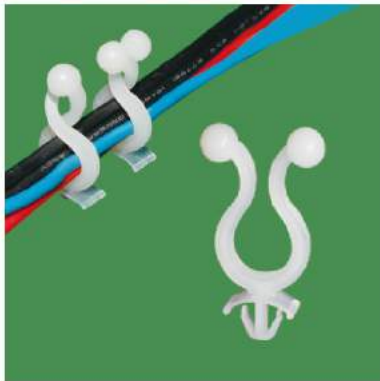


WITH LOCK FEATURE

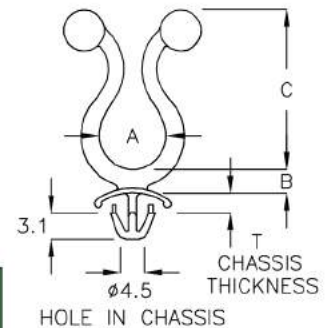
PART NO	A CLOSE DIA	B	D HOLE IN CHASSIS	E	T MAXIMUM THICKNESS	PACKAGE
TA-3M	ø3.8	14.8	ø6.5	5.7	1.2	1000
TA-5M	ø5.0	11.7	ø6.5	4.3	2.0	
TA-6	ø5.5	12.5	ø5.5	5.0	2.0	
TA-7	ø7.5	14.1	ø5.5	4.6	2.0	
TA-8	ø8.4	16.5	ø6.0	6.2	1.6	
TA-08A	ø8.4	13.5	ø5.5	6.2	1.6	
TA-11	ø11.1	16.2	ø6.0	7.0	1.9	

6-104-2

隔離束線座 WIRE CLIP



MATERIAL: NYLON 66(UL)
FLAME CLASS: 94V-2
COLOR: NATURAL

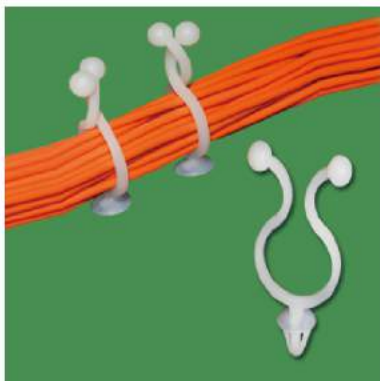


WITH LOCK FEATURE

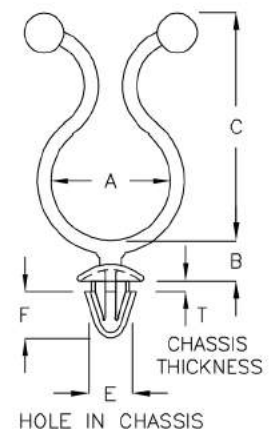
PART NO	A	B	C	CLOSE A	T CHASSIS THICKNESS	PACKAGE
TF8-3DC	8.1	3.5	19.2	ø6.5	0.8~1.2	1000

6-104-3

隔離束線座 WIRE CLIP



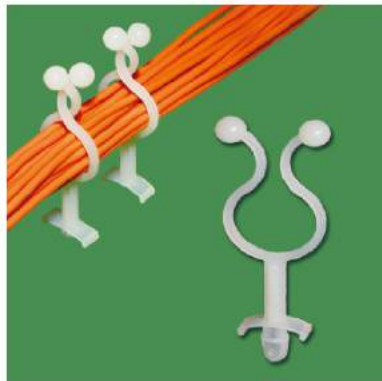
MATERIAL: NYLON 66(UL)
FLAME CLASS: 94V-2
COLOR: NATURAL



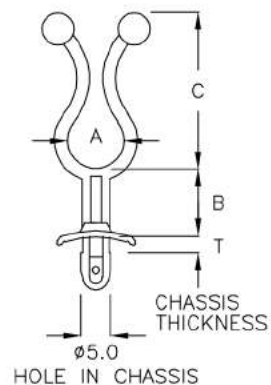
WITH LOCK FEATURE

PART NO	A	B	C	CLOSE A	T CHASSIS THICKNESS	E HOLE IN CHASSIS	F	PACKAGE
TN16-5	16.2	5.4	30.5	ø14.0	1.4~1.7	ø5.0	6.3	500

隔離束線座 WIRE CLIP



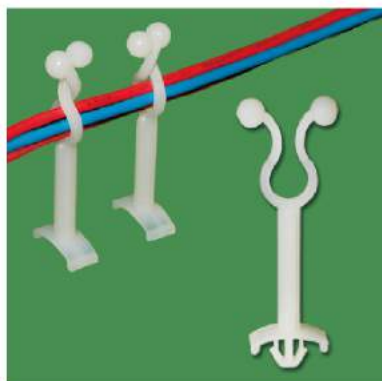
MATERIAL: NYLON 66(UL)
FLAME CLASS: 94V-2
COLOR: NATURAL



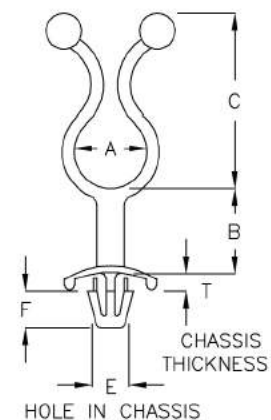
WITH LOCK FEATURE

PART NO	A	B	C	CLOSE A	T CHASSIS THICKNESS	PACKAGE
TA10-4	10.5	4.0	28.0	$\phi 9.3$	1.9~2.9	500
TA10-20	10.5	20.0	27.6	$\phi 9.4$	1.8~2.8	
TA16-3	15.9	3.5	32.0	$\phi 14.4$	1.0~2.6	
TA16-18	16.0	18.0	32.0	$\phi 14.4$	1.2~2.4	

隔離束線座 WIRE CLIP



MATERIAL: NYLON 66(UL)
FLAME CLASS: 94V-2
COLOR: NATURAL



WITH LOCK FEATURE

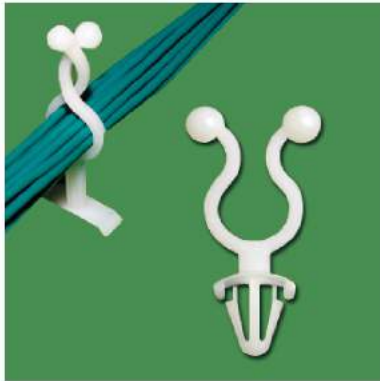
PART NO	A	B	C	CLOSE A	T CHASSIS THICKNESS	E HOLE IN CHASSIS	F	PACKAGE
TA7-23	6.7	23.7	17.2	$\phi 5.5$	0.5~2.0	$\phi 5.0$	3.2	500
TAB-15A	8.6	15.0	26.3	$\phi 7.5$	1.2~3.0	$\phi 4.0$	5.2	
TA9-15	10.7	15.0	26.3	$\phi 9.4$	1.2~3.0	$\phi 4.0$	5.2	
TA11-4A	10.8	4.6	26.3	$\phi 9.3$	0.3~2.2	$\phi 5.0$	5.6	
TA11-50A	11.5	50.2	26.7	$\phi 10.1$	0.8~2.7	$\phi 4.8 \sim \phi 5.0$	5.1	
TA14-2C	14.8	2.4	30.5	$\phi 13.0$	0.8~1.6	$\phi 4.8$	5.1	

線材固定, 線材隔離 CABLE CLAMP, SADDLE

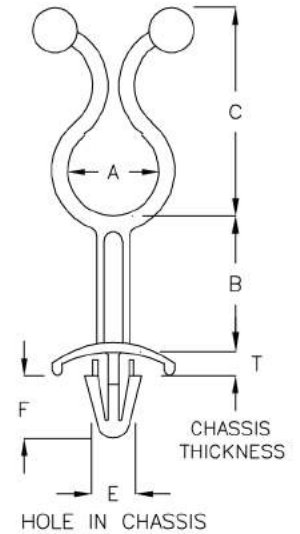
PINGOOD

6-106-1

隔離束線座 WIRE CLIP



MATERIAL: NYLON 66(UL)
 FLAME CLASS: 94V-2
 COLOR: NATURAL
 *UL NO: E154548(S)



WITH LOCK FEATURE



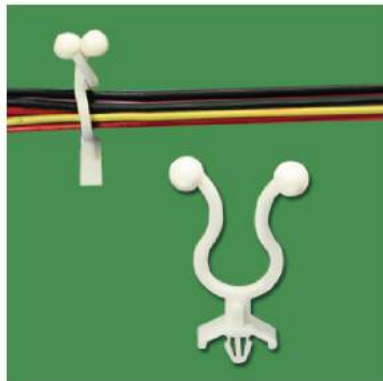
PART NO	A	B	C	CLOSE A	T CHASSIS THICKNESS	E HOLE IN CHASSIS	F	UL	PACKAGE
TA5-60	5.1	60.4	20.7	ø4.4	0.8~2.7	ø4.8~ø5.0	7.2		500
TA8-3	8.6	3.5	19.0	ø7.0	1.2~1.8	ø4.0	3.0	UL	1000
TA8-3L	8.6	3.2	19.0	ø7.0	1.2~2.3	ø4.0	3.3		
TA8-6	8.8	5.6	19.1	ø7.0	1.2~1.8	ø4.8~ø5.0	7.6	UL	500
TA8-10	8.0	10.5	22.7	ø6.8	1.2~2.8	ø5.0	7.2	UL	
TA8-20	8.0	20.2	22.7	ø6.8	1.2~2.8	ø5.0	7.2	UL	
TA10-3	10.9	3.0	27.0	ø9.5	1.1~2.6	ø5.0	7.3	UL	
TA10-3A	10.9	3.1	27.0	ø9.5	1.2~3.8	ø5.0	6.6		
TA10-15	11.0	15.5	27.0	ø9.7	1.1~2.6	ø5.0	7.1	UL	
TA10-35	10.9	35.0	27.0	ø9.6	1.5~3.0	ø5.0	7.2	UL	
TA11-4	11.0	4.4	26.4	ø9.5	0.6~2.4	ø5.0	7.5	UL	
TA11-5	11.5	4.7	28.0	ø10.3	0.8~2.0	ø4.0	5.5		
TA11-50	11.5	50.2	26.7	ø10.1	0.8~2.7	ø4.8~ø5.0	7.1	UL	
TA11-21	11.8	21.2	27.5	ø10.2	0.6~2.7	ø5.0	6.6	UL	
TA11-43	11.5	43.5	26.7	ø10.1	0.8~2.7	ø4.8~ø5.0	7.0		
TA12-10	12.0	10.1	27.0	ø10.2	1.2~3.2	ø4.8~ø5.0	6.6		
TA14-2	14.4	2.4	30.5	ø13.0	0.3~1.8	ø4.8	7.6		
TA16-4	16.0	3.5	30.8	ø14.0	1.3~2.9	ø5.0	7.2	UL	
TA16-60	16.0	60.4	32.0	ø14.5	0.8~2.7	ø4.8~ø5.0	7.1	UL	200
TA19-30	18.7	30.0	36.4	ø16.5	0.9~3.0	ø4.8~ø5.0	7.0		
TA20-8	20.6	8.1	36.7	ø18.4	0.8~3.0	ø4.8~ø5.0	7.1		500
TA20-16	20.3	16.2	36.3	ø18.3	1.5~3.1	ø5.0	7.2	UL	
TA24-3	24.3	3.0	43.6	ø22.0	0.6~2.7	ø5.0	6.9	UL	
TA37-3	37.5	3.3	59.3	ø35.0	1.1~2.4	ø4.8~ø5.0	6.7	UL	200

線材固定, 線材隔離 CABLE CLAMP, SADDLE

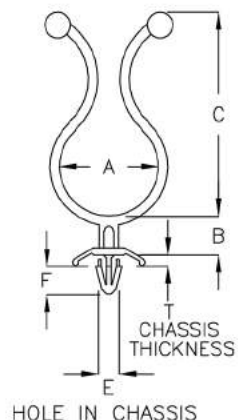
PINGOOD

6-107-1

隔離束線座 WIRE CLIP



MATERIAL: NYLON 66(UL)
FLAME CLASS: 94V-2
COLOR: NATURAL



WITH LOCK FEATURE

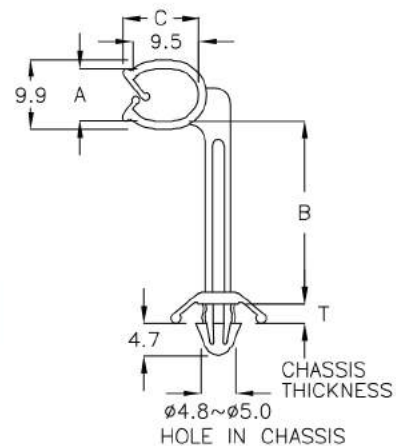
PART NO	A	B	C	CLOSE A	T CHASSIS THICKNESS	E HOLE IN CHASSIS	F	PACKAGE
TB20-8	20.6	8.1	42.0	∅18.5	1.0~2.0	∅3.5	6.0	500
TB8-8	9.5	8.0	23.3	∅7.7	0.8~2.4	∅3.0	3.7	

6-107-2

隔離束線座 WIRE SADDLE



MATERIAL: NYLON 66(UL)
FLAME CLASS: 94V-2
COLOR: NATURAL



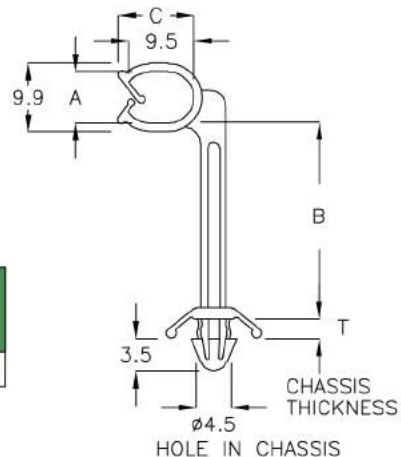
PART NO	A	B	C	T CHASSIS THICKNESS	PACKAGE
TUA-34	7.5	34.2	11.0	0.5~2.1	500

6-107-3

隔離束線座 WIRE SADDLE



MATERIAL: NYLON 66(UL)
FLAME CLASS: 94V-2
COLOR: NATURAL



PART NO	A	B	C	T CHASSIS THICKNESS	PACKAGE
TUA-40	7.5	34.0	11.0	0.8~1.6	500

線材固定, 線材隔離 CABLE CLAMP, SADDLE

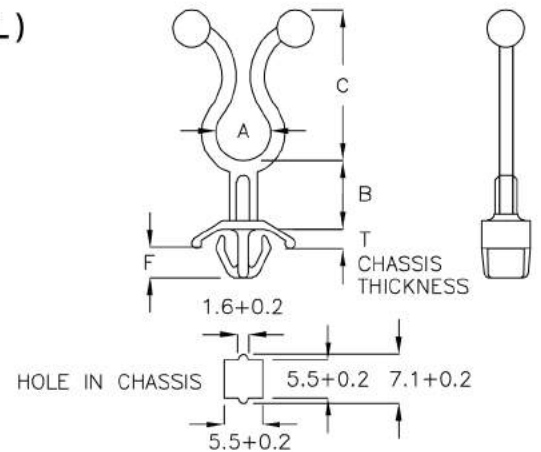
PINGOOD

6-108-1

隔離束線座 WIRE CLIP



MATERIAL: NYLON 66(UL)
FLAME CLASS: 94V-2
COLOR: NATURAL

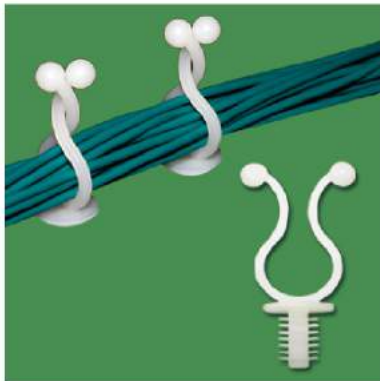


Built-In Anti-Spin Function
WITH LOCK FEATURE

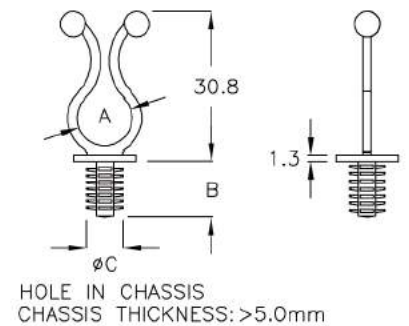
PART NO	A	B	C	CLOSE A	T CHASSIS THICKNESS	F	PACKAGE
TD5-36	5.4	36.5	18.4	∅4.5	0.8~1.2	3.8	500
TD8-3	8.0	3.2	21.7	∅6.7	0.8~1.4	5.3	1000
TD12-3	11.8	3.3	29.0	∅10.6	0.8~1.4	5.3	
TD11-20A	11.5	19.9	28.2	∅10.0	0.8~2.2	3.6	500

6-108-2

隔離束線座 WIRE CLIP



MATERIAL: NYLON 66(UL)
FLAME CLASS: 94V-2
COLOR: NATURAL

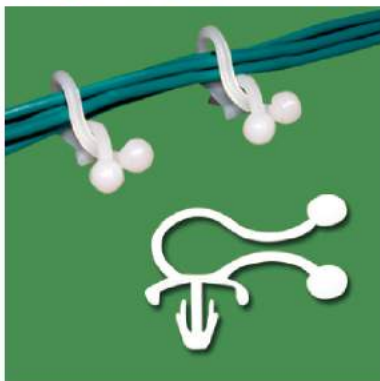


WITH LOCK FEATURE

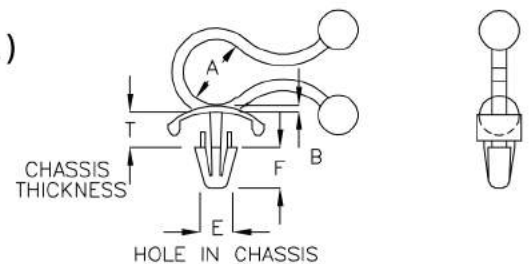
PART NO	A	B	C	CLOSE A	PACKAGE
TG12-03	11.8	11.5	6.35	∅10.5	500

6-108-3

隔離束線座 WIRE CLIP



MATERIAL: NYLON 66(UL)
FLAME CLASS: 94V-2
COLOR: NATURAL



WITH LOCK FEATURE

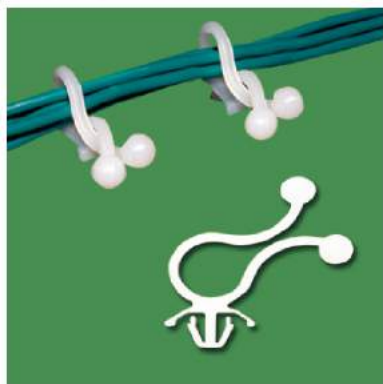
PART NO	A	B	CLOSE A	T CHASSIS THICKNESS	E	F	PACKAGE
TDY8-1	8.2	1.0	∅7.0	2.7~3.9	∅4.0	5.1	1000
TDY8-1A	8.3	1.0	∅7.1	0.8~2.1	∅3.0	3.7	
TDY8-1C	8.2	1.0	∅7.1	0.8~2.3	∅4.5	4.9	

線材固定, 線材隔離 CABLE CLAMP, SADDLE

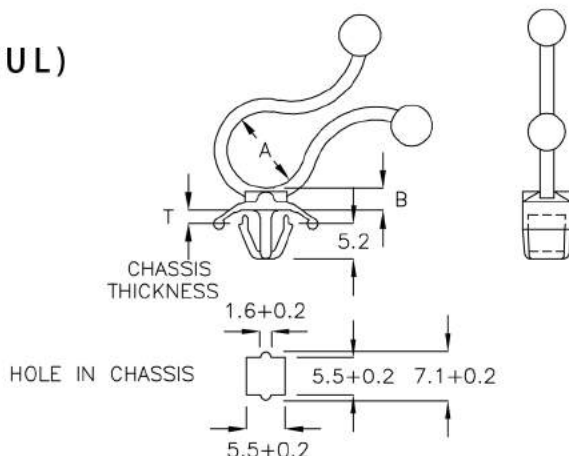
PINGOOD

6-109-1

隔離束線座 WIRE CLIP



MATERIAL: NYLON 66(UL)
FLAME CLASS: 94V-2
COLOR: NATURAL



Built-In Anti-Spin Function
WITH LOCK FEATURE

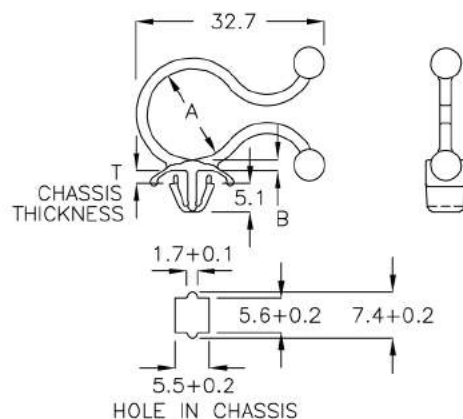
PART NO	A	B	CLOSE A	T CHASSIS THICKNESS	PACKAGE
TDY11-3	11.0	3.2	ø9.6	0.8~1.2	500

6-109-2

隔離束線座 WIRE CLIP



MATERIAL: NYLON 66(UL)
FLAME CLASS: 94V-2
COLOR: NATURAL

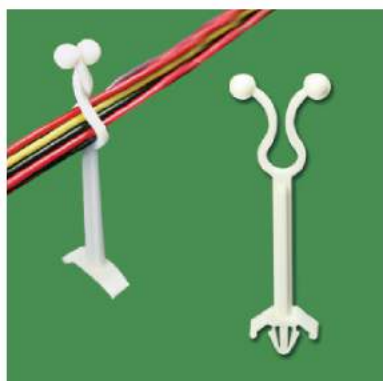


Built-In Anti-Spin Function
WITH LOCK FEATURE

PART NO	A	B	CLOSE A	T CHASSIS THICKNESS	PACKAGE
TDR16-1K	16.2	1.9	ø14.5	1.2~1.5	500

6-109-3

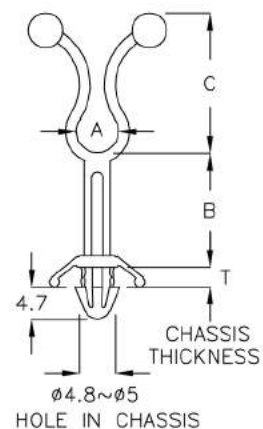
隔離束線座 WIRE SADDLE



MATERIAL: NYLON 66(UL)
FLAME CLASS: 94V-2
COLOR: NATURAL

UL[®] E154548(S)
WITH LOCK FEATURE

PART NO	A	B	C	CLOSE DIA	T CHASSIS THICKNESS	PACKAGE
TK6-34	6.1	34.0	20.2	ø5.1	0.5~2.3	500

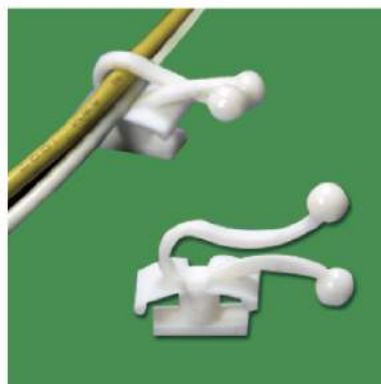


線材固定, 線材隔離 CABLE CLAMP, SADDLE

PINGOOD

6-110-1

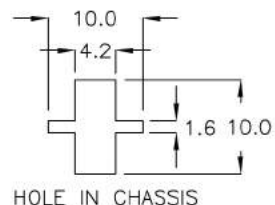
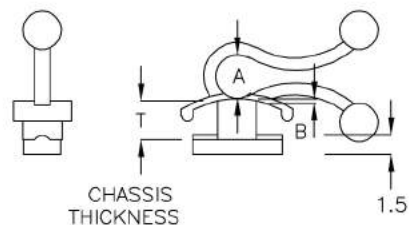
隔離束線座 WIRE CLIP



MATERIAL: NYLON 66(UL)
FLAME CLASS: 94V-2
COLOR: NATURAL

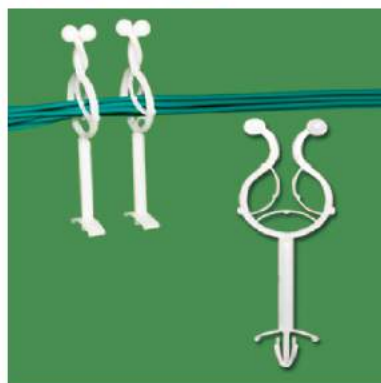
Insert With 90 Degree Angle
 And Press Down
 WITH LOCK FEATURE

PART NO	A	B	CLOSE DIA	T CHASSIS THICKNESS	PACKAGE
TEY4-1	4.5	0.25	ø3.7	2.7~3.7	1000



6-110-2

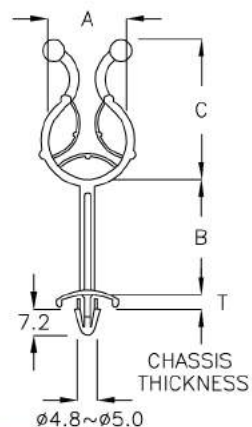
隔離束線座 WIRE CLIP



MATERIAL: NYLON 66(UL)
FLAME CLASS: 94V-2
COLOR: NATURAL

WITH LOCK FEATURE

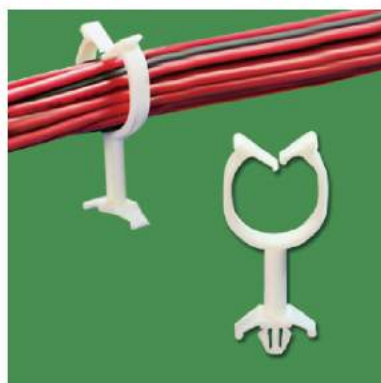
PART NO	A	B	C	MAX BUNDLE DIA	T CHASSIS THICKNESS	PACKAGE
TE21-04	20.5	4.0	37.2	ø14.5	1.0~3.1	500
TE21-32	20.5	32.1	37.2	ø14.5	1.0~3.1	
TE21-40	20.5	40.1	37.2	ø14.5	1.0~3.1	



HOLE IN CHASSIS

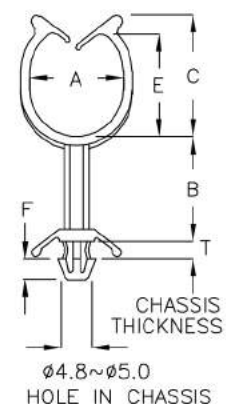
6-110-3

隔離束線座 WIRE SADDLE



MATERIAL: NYLON 66(UL)
FLAME CLASS: 94V-0
COLOR: NATURAL

PART NO	A	B	C	E	T CHASSIS THICKNESS	F	PACKAGE
TU14-7	14.5	7.0	19.5	16.2	0.5~2.0	3.4	500
TU14-12	14.8	12.0	19.5	16.7	0.5~2.3	2.8	
TU14-17	14.8	16.8	19.5	16.2	0.5~2.3	3.5	
TU14-25	14.8	25.0	19.5	16.2	0.5~2.3	3.5	
TU14-27	14.8	26.8	19.5	16.2	0.5~2.3	3.6	
TU14-37	14.8	36.8	19.5	16.2	0.5~2.3	3.5	



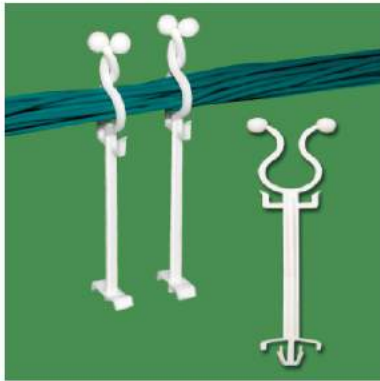
HOLE IN CHASSIS

線材固定, 線材隔離 CABLE CLAMP, SADDLE

PINGOOD

6-111-1

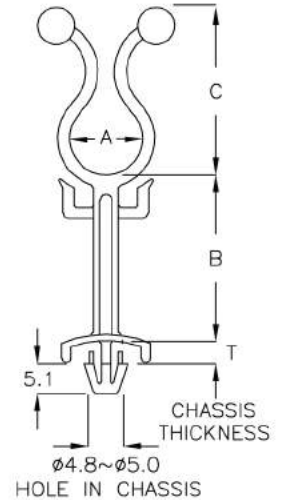
隔離束線座 WIRE SADDLE



MATERIAL: NYLON 66(UL)
FLAME CLASS: 94V-0
COLOR: NATURAL

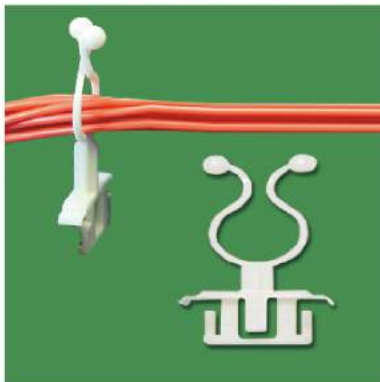
WITH LOCK FEATURE

PART NO	A	B	C	CLOSE DIA	T CHASSIS THICKNESS	PACKAGE
TX11-52	11.8	52.5	26.6	∅10.2	0.3~2.5	500



6-111-2

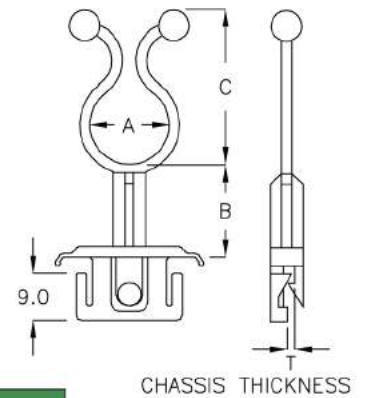
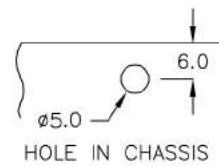
隔離束線座 WIRE SADDLE



MATERIAL: NYLON 66(UL)
FLAME CLASS: 94V-2
COLOR: NATURAL

WITH LOCK FEATURE

PART NO	A	B	C	T CHASSIS THICKNESS	CLOSE DIA	PACKAGE
TT15-10	14.9	10.0	29.2	1.6~2.0	∅13.3	500
TT15-10A	14.9	10.0	29.2	2.1~2.5		
TT15-17	14.9	17.4	29.2	1.6~2.0		



6-111-3

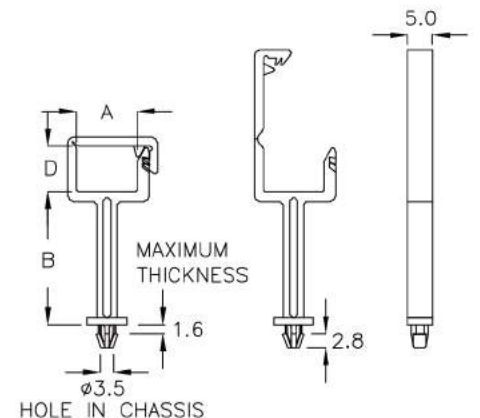
隔離束線座 WIRE SADDLE



MATERIAL: NYLON 66(UL)
FLAME CLASS: 94V-2
COLOR: NATURAL

WITH LOCK FEATURE

PART NO	A	B	D	PACKAGE
CHB-26A	12.1	26.7	9.1	500

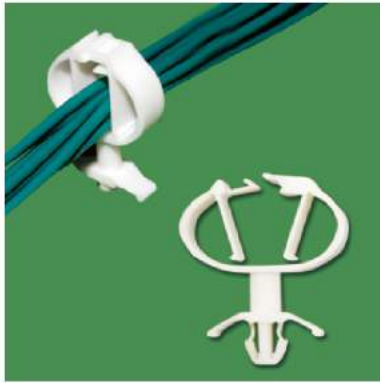


線材固定, 線材隔離 CABLE CLAMP, SADDLE

PINGOOD

6-112-1

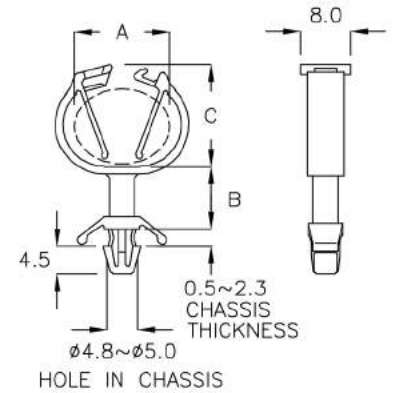
隔離束線座 WIRE SADDLE



MATERIAL: NYLON 66(UL)
FLAME CLASS: 94V-0
COLOR: NATURAL

WITH LOCK FEATURE

PART NO	A SUITABLE BUNDLE DIA	B	C	PACKAGE
TUT-10	ø9.0~ø12.5	10.0	15.6	500



6-112-2

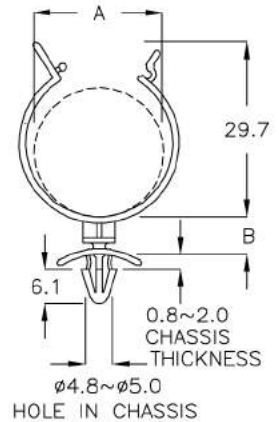
隔離束線座 WIRE SADDLE



MATERIAL: NYLON 66(UL)
FLAME CLASS: 94V-2
COLOR: NATURAL

WITH LOCK FEATURE

PART NO	A CLOSE DIA	B	PACKAGE
TC20-6	ø20.5	6.55	200



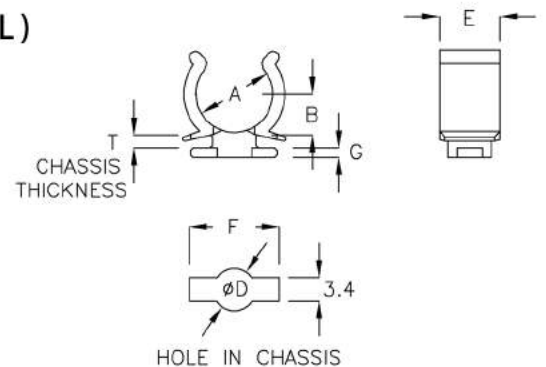
6-112-3

電線固定座 WIRE MOUNT



MATERIAL: NYLON 66(UL)
FLAME CLASS: 94V-2
COLOR: BLACK

INSERT WITH 90 DEGREE ANGLE
AND PRESS DOWN



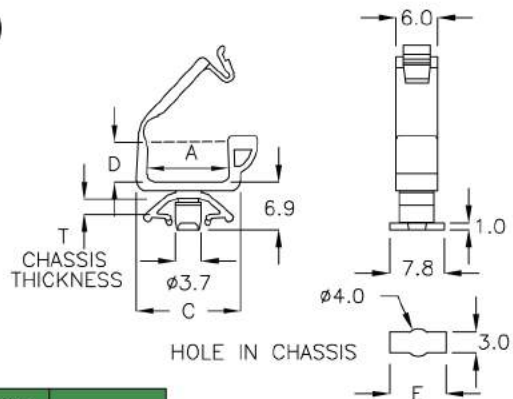
PART NO	A	B	D HOLE IN CHASSIS	E	F	G	T CHASSIS THICKNESS	PACKAGE
CHQ-03	ø3.1	3.2	ø4.2	5.6	10.1	1.4	1.2	2000
CHQ-07	ø7.3	4.2	ø5.2	7.0	10.4	1.3	1.2	
CHQ-08	ø8.0	4.3	ø5.2	7.0	10.4	1.3	1.2	
CHQ-9	ø8.5	4.7	ø5.2	7.0	10.4	1.0	1.2	1000
CHQ-11	ø10.7	5.3	ø5.2	7.0	10.4	1.3	1.3	

隔離束線座 WIRE SADDLE



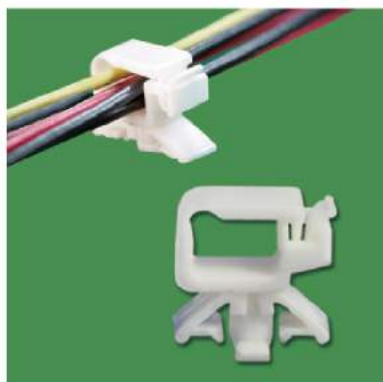
MATERIAL: NYLON 66(UL)
FLAME CLASS: 94V-2
COLOR: NATURAL

INSERT WITH 90 DEGREE ANGLE
 AND PRESS DOWN
 WITH LOCK FEATURE



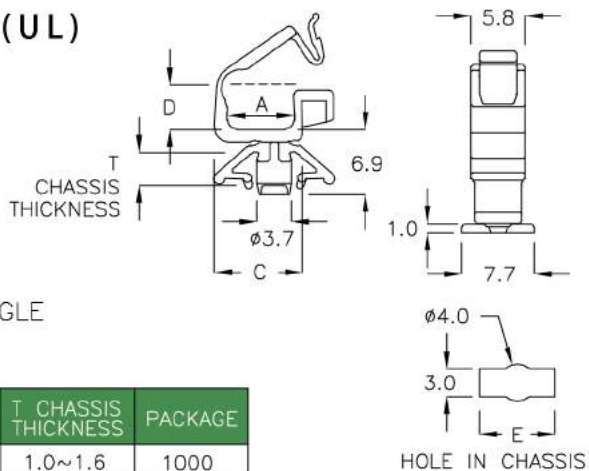
PART NO	A	C	D	E	T CHASSIS THICKNESS	PACKAGE
CKB-7A	11.0	15.0	7.0	8.2	1.6	500
CKB-10A	16.0	19.8	10.0	8.0	0.8	

隔離束線座 WIRE SADDLE



MATERIAL: NYLON 66(UL)
FLAME CLASS: 94V-2
COLOR: NATURAL

INSERT WITH 90 DEGREE ANGLE
 AND PRESS DOWN
 WITH LOCK FEATURE



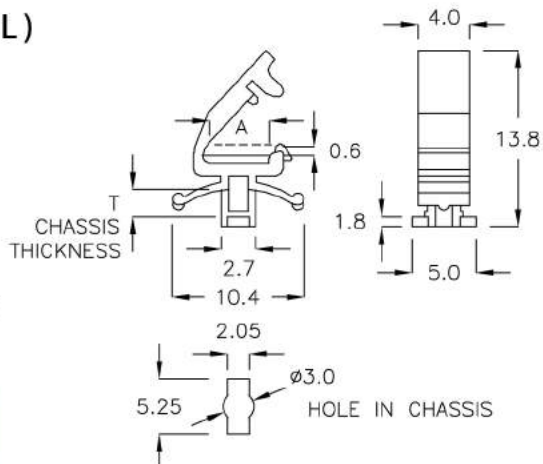
PART NO	A	C	D	E	T CHASSIS THICKNESS	PACKAGE
CKB-4JH	7.2	9.4	4.8	8.0	1.0~1.6	1000

隔離束線座 WIRE SADDLE



MATERIAL: NYLON 66(UL)
FLAME CLASS: 94V-2
COLOR: NATURAL

INSERT WITH 90 DEGREE ANGLE
 AND PRESS DOWN
 WITH LOCK FEATURE



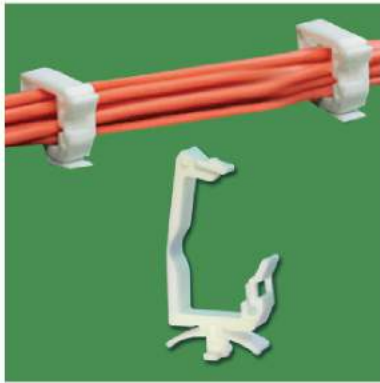
PART NO	A	T CHASSIS THICKNESS	PACKAGE
CKA-2A	4.0	1.0	2000

線材固定, 線材隔離 CABLE CLAMP, SADDLE

PINGOOD

6-114-1

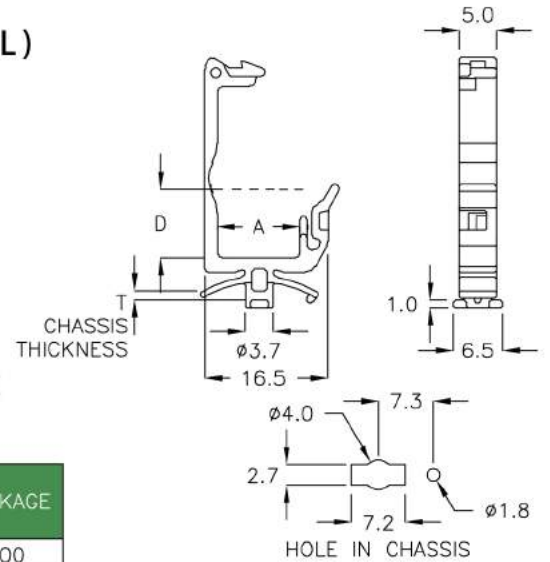
隔離束線座 WIRE SADDLE



MATERIAL: NYLON 66(UL)
FLAME CLASS: 94V-2
COLOR: NATURAL

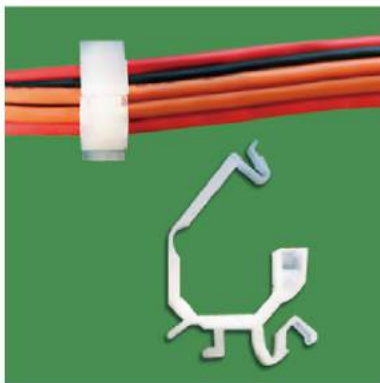
INSERT WITH 90 DEGREE ANGLE
 AND PRESS DOWN
 WITH LOCK FEATURE

PART NO	A	D	T CHASSIS THICKNESS	PACKAGE
CKN-11Y	10.9	9.2	0.8~1.6	500

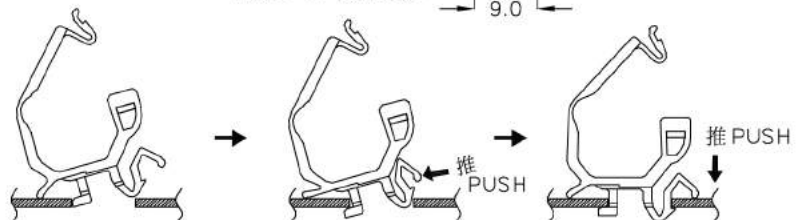
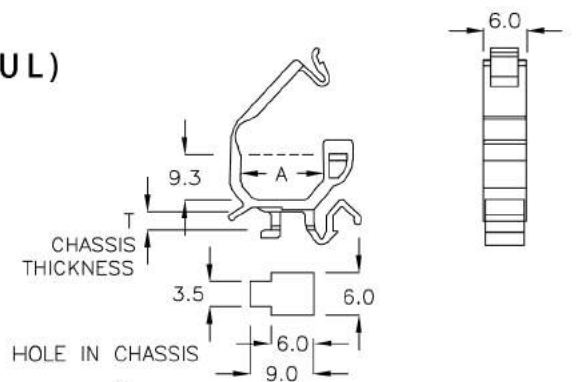


6-114-2

電線固定座 WIRE MOUNT



MATERIAL: NYLON 66(UL)
FLAME CLASS: 94V-2
COLOR: NATURAL



WITH LOCK FEATURE

PART NO	A	T CHASSIS THICKNESS	PACKAGE
CKX-11A	11.8	1.2~1.6	500

6-114-3

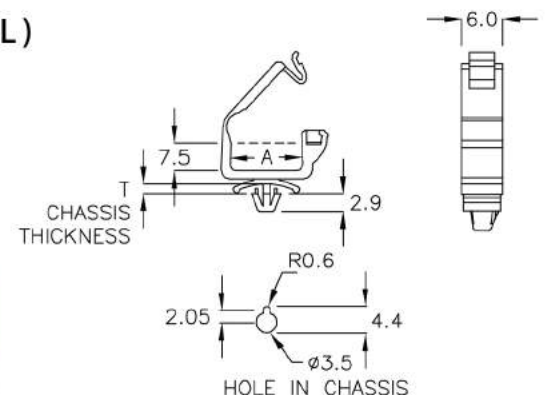
電線固定座 WIRE MOUNT



MATERIAL: NYLON 66(UL)
FLAME CLASS: 94V-2
COLOR: NATURAL

Build-In Anti-Spin Function
 WITH LOCK FEATURE

PART NO	A	T CHASSIS THICKNESS	PACKAGE
CKY-11A	11.9	0.8~1.0	500



線材固定, 線材隔離 CABLE CLAMP, SADDLE

PINGOOD

6-115-1

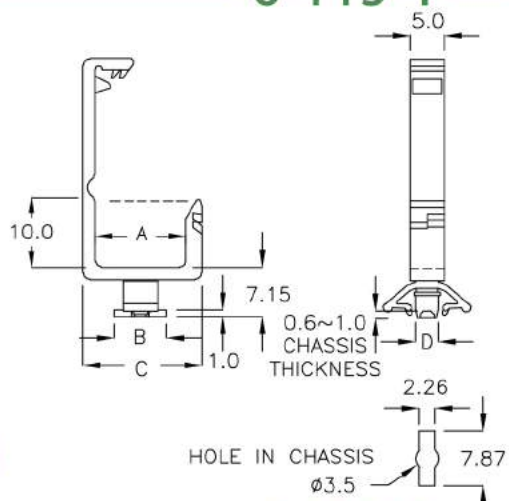
隔離束線座 WIRE SADDLE



MATERIAL: NYLON 66(UL)
FLAME CLASS: 94V-2
COLOR: NATURAL, BLACK

INSERT WITH 90 DEGREE ANGLE
 AND PRESS DOWN
 WITH LOCK FEATURE

PART NO	A	B	C	D	PACKAGE
CMG-10	13.0	7.5	17.2	∅3.2	500



6-115-2

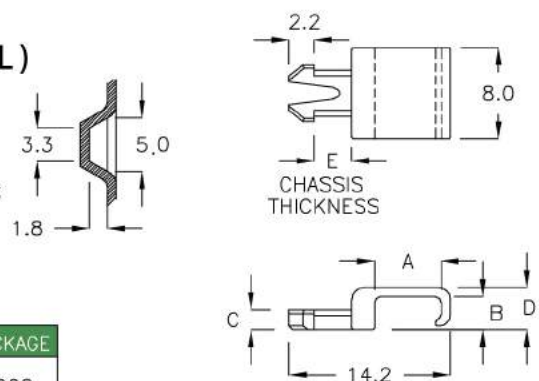
電線固定座 WIRE MOUNT



MATERIAL: NYLON 66(UL)
FLAME CLASS: 94V-2
COLOR: NATURAL

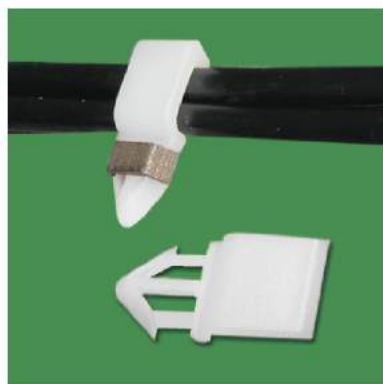
HOLE IN CHASSIS

PART NO	A	B	C	D	E	PACKAGE
CKT-1A	5.9	2.9	1.7	3.7	3.1	1000
CKT-1C	5.9	2.7	1.7	3.5	3.1	



6-115-3

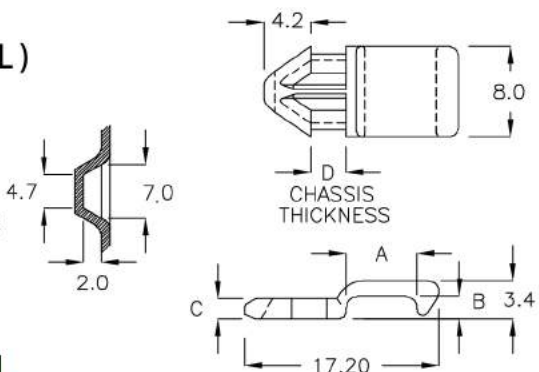
電線固定座 WIRE MOUNT



MATERIAL: NYLON 66(UL)
FLAME CLASS: 94V-2
COLOR: NATURAL

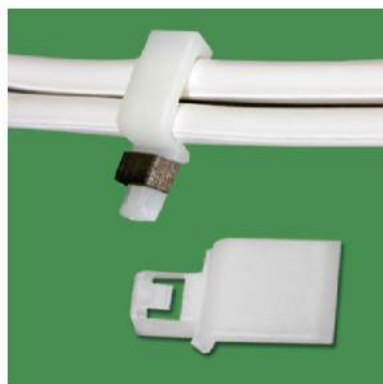
HOLE IN CHASSIS

PART NO	A	B	C	D	PACKAGE
CKT-03	6.3	2.0	1.8	3.0	1000



6-115-4

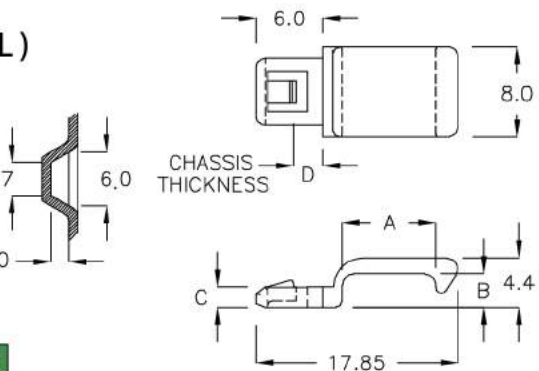
電線固定座 WIRE MOUNT



MATERIAL: NYLON 66(UL)
FLAME CLASS: 94V-2
COLOR: NATURAL

HOLE IN CHASSIS

PART NO	A	B	C	D	PACKAGE
CKT-04	8.3	3.0	1.8	2.5	1000



線材固定, 線材隔離 CABLE CLAMP, SADDLE

PINGOOD

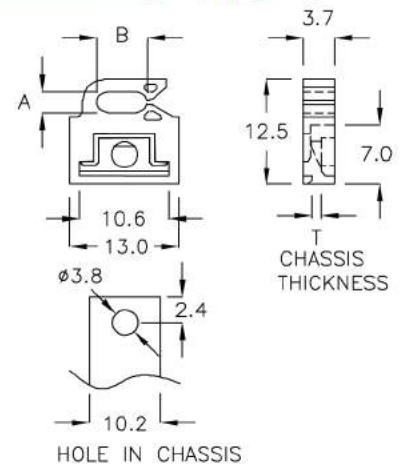
6-116-1

隔離束線座 WIRE SADDLE



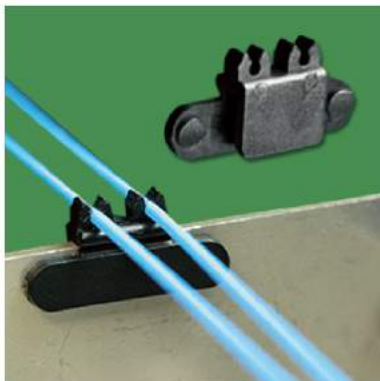
MATERIAL: NYLON 66(UL)
FLAME CLASS: 94V-2
COLOR: BLACK

PART NO	A	B	T CHASSIS THICKNESS	PACKAGE
CTR-01	2.5	6.0	1.2~1.3	2000



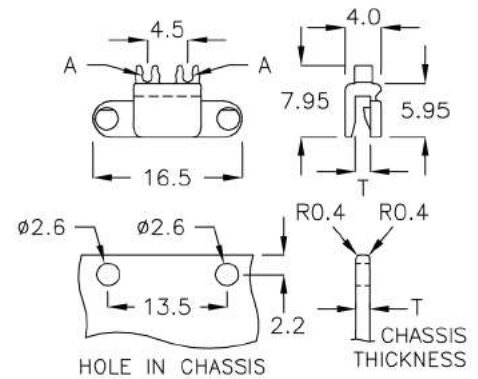
6-116-2

隔離束線座 WIRE SADDLE



MATERIAL: NYLON 66(UL)
FLAME CLASS: 94V-2
COLOR: BLACK

PART NO	A	T CHASSIS THICKNESS	PACKAGE
CMM-1AS	1.1	1.6	1000



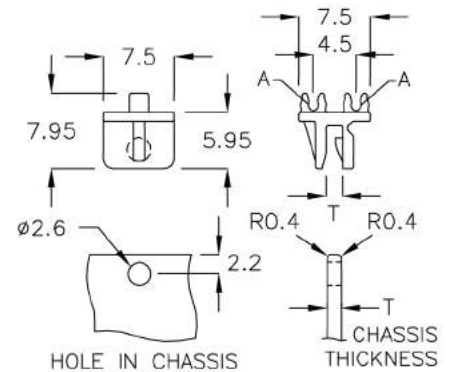
6-116-3

隔離束線座 WIRE SADDLE



MATERIAL: NYLON 66(UL)
FLAME CLASS: 94V-2
COLOR: NATURAL

PART NO	A	T CHASSIS THICKNESS	PACKAGE
CMQ-1TJ	1.1	1.6	2000

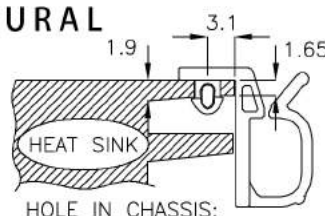


6-116-4

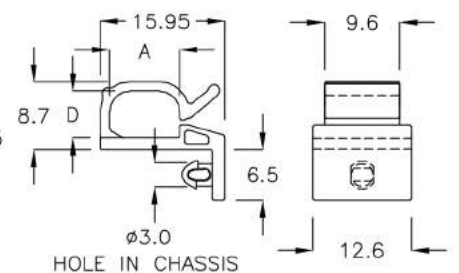
電線固定座 WIRE MOUNT



MATERIAL: NYLON 66(UL)
FLAME CLASS: 94V-2
COLOR: NATURAL



PART NO	A	D	PACKAGE
FAM-16	9.0	6.0	500

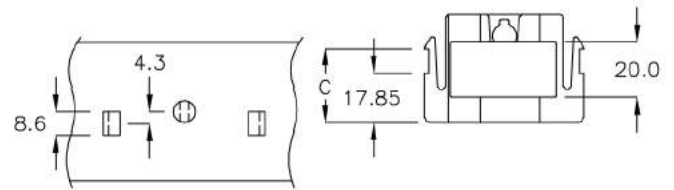
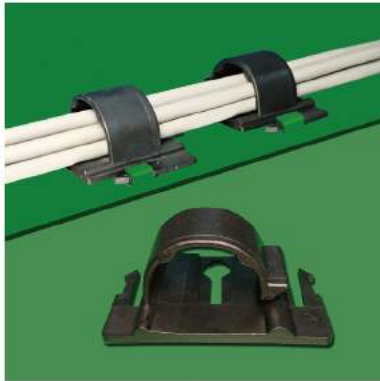


線材固定, 線材隔離 CABLE CLAMP, SADDLE

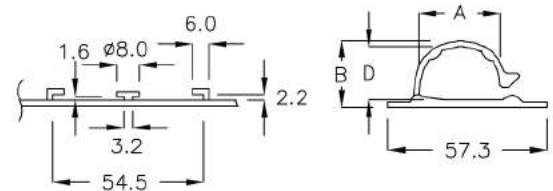
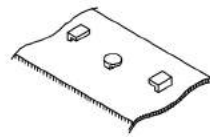
PINGOOD

6-117-1

電線固定座 WIRE MOUNT



HOLE IN CHASSIS

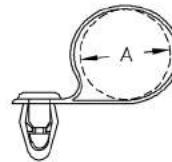
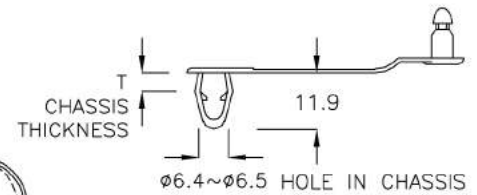


MATERIAL: NYLON 66(UL)
FLAME CLASS: 94V-2
COLOR: BLACK

PART NO	A	B	C	D	PACKAGE
FWJ-01	28.6	24.0	26.5	19.1	100

6-117-2

電線固定扣 WIRE MOUNT



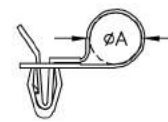
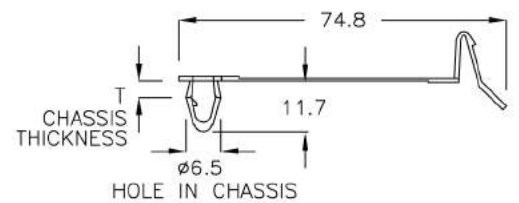
SUITABLE BUNDLE DIA

MATERIAL: NYLON 66(UL)
FLAME CLASS: 94V-2
COLOR: NATURAL

PART NO	A SUITABLE BUNDLE DIA	E	T CHASSIS THICKNESS	PACKAGE
PDT-06	ø5.0~ø6.5	47.6	0.8~2.4	500
PDT-08	ø7.0~ø8.5	53.6	0.8~2.4	
PDT-10	ø9.5~ø11.0	57.3	0.8~2.4	

6-117-3

電線固定座 WIRE MOUNT



SUITABLE BUNDLE DIA

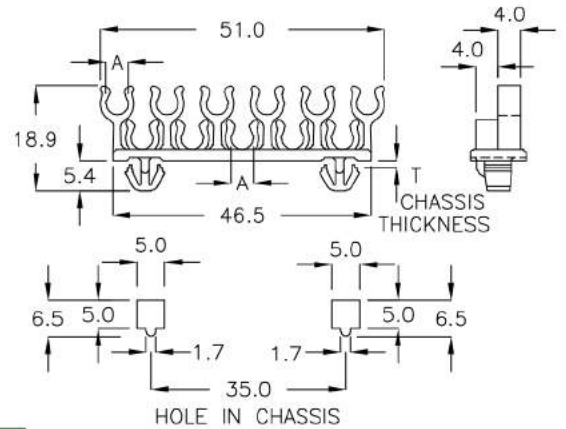
MATERIAL: NYLON 66(UL)
FLAME CLASS: 94V-2
COLOR: NATURAL

PART NO	A SUITABLE BUNDLE DIA	T CHASSIS THICKNESS	PACKAGE
PDT-1A	ø13.0	0.8~2.4	100

隔離束線座 WIRE SADDLE

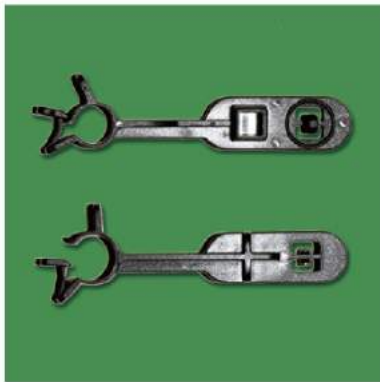


MATERIAL: POM
FLAME CLASS: 94-HB
COLOR: NATURAL

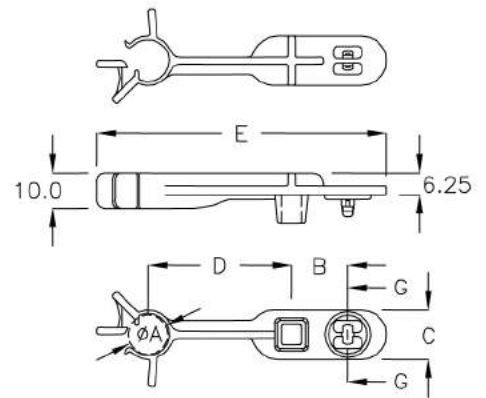
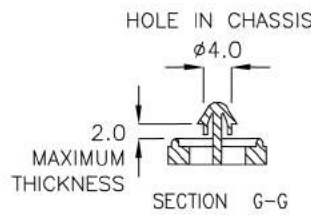


PART NO	A	T CHASSIS THICKNESS	PACKAGE
CTX-46K	4.0	1.0~1.5	200

隔離束線座 WIRE SADDLE



MATERIAL: NYLON 66(UL)
FLAME CLASS: 94V-2
COLOR: BLACK

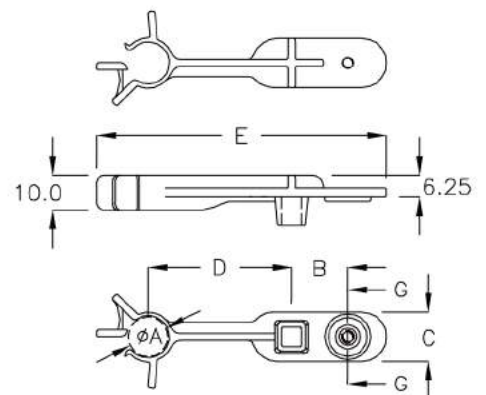
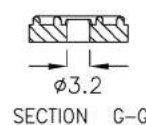


PART NO	A	B	C	D	E	PACKAGE
FLA-50	9.6	16.0	14.0	40.3	82.3	100

隔離束線座 WIRE SADDLE



MATERIAL: NYLON 66(UL)
FLAME CLASS: 94V-2
COLOR: BLACK



PART NO	A	B	C	D	E	PACKAGE
FLA-50A	9.6	16.0	14.0	40.3	82.3	100

線材固定, 線材隔離 CABLE CLAMP, SADDLE

PINGOOD

6-119-1

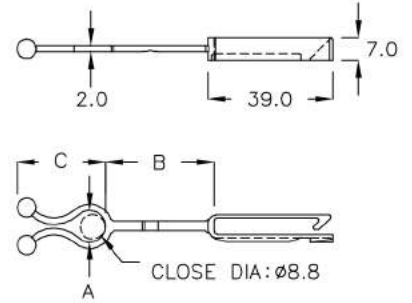
電線固定夾 WIRE CLIP



MATERIAL: NYLON 66(UL)
FLAME CLASS: 94V-2
COLOR: NATURAL

WITH LOCK FEATURE

PART NO	A	B	C	CLOSE DIA	PACKAGE
CXT-10	10.0	33.6	27.8	ø8.8	100



6-119-2

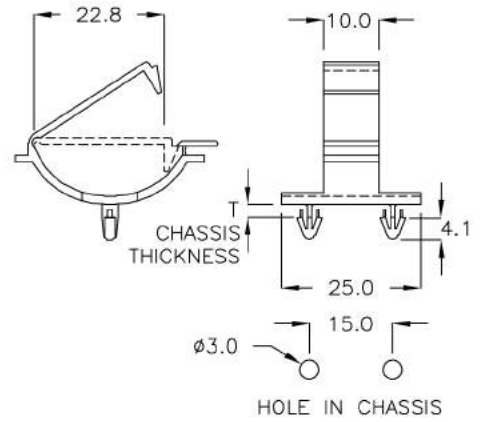
隔離束線座 WIRE MOUNT



MATERIAL: NYLON 66(UL)
FLAME CLASS: 94V-2
COLOR: NATURAL

WITH LOCK FEATURE

PART NO	T CHASSIS THICKNESS	PACKAGE
CKK-02	1.8~2.0	500



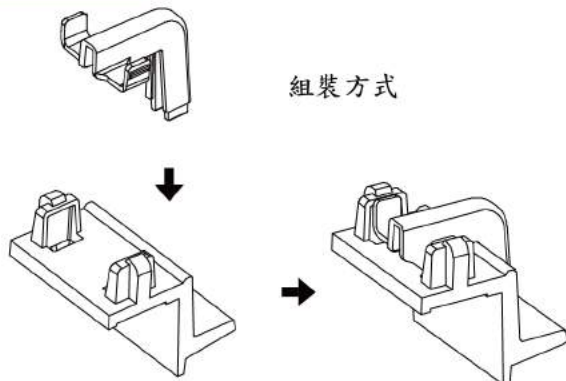
6-119-3

理線座 WIRE MOUNT

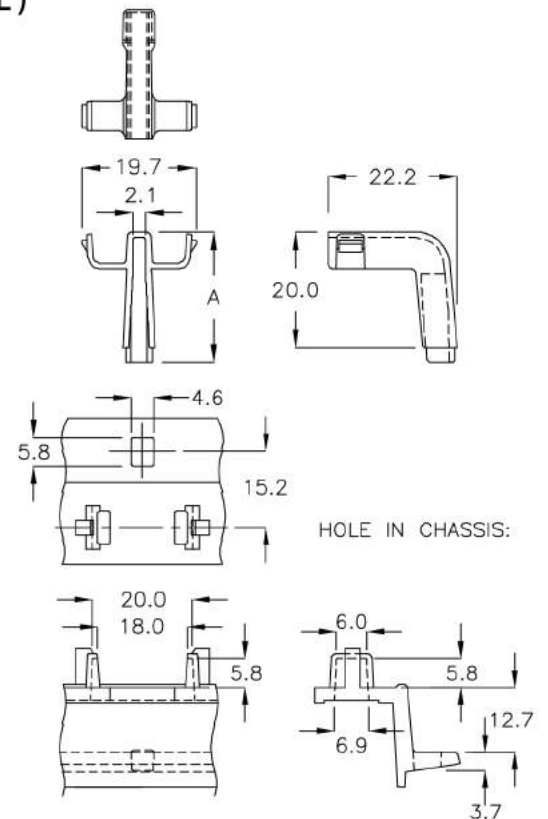


MATERIAL: NYLON 66(UL)
FLAME CLASS: 94V-2
COLOR: BLACK

PART NO	A	PACKAGE
DFA-22C	22.5	500



組裝方式



線材固定, 線材隔離 CABLE CLAMP, SADDLE

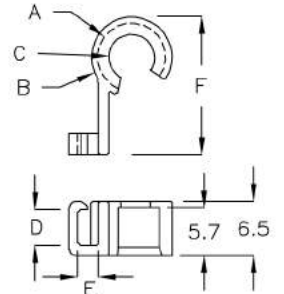
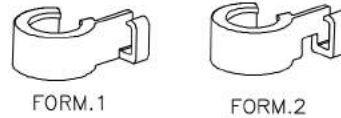
PINGOOD

6-120-1



電線固定座 WIRE MOUNT

MATERIAL: NYLON 66(UL)
FLAME CLASS: 94V-0
COLOR: BLACK



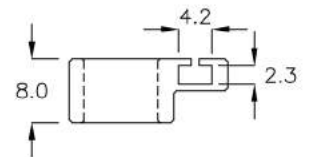
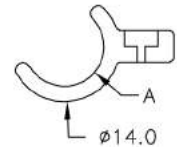
PART NO	A	B	C	D	E	F	FORM	PACKAGE
KYK-08	ø8.1	ø9.7	ø5.5	4.3	2.5	16.5	1	1000
KYK-10A	ø10.1	ø11.9	ø7.7	4.3	2.5	17.6	1	
KYK-11	ø10.1	ø11.9	ø7.7	4.3	2.5	17.6	2	
KYK-14D	ø12.1	ø14.1	ø9.7	4.3	2.5	20.7	2	

6-120-2



電線固定座 WIRE MOUNT

MATERIAL: NYLON 66(UL)
FLAME CLASS: 94V-0
COLOR: NATURAL



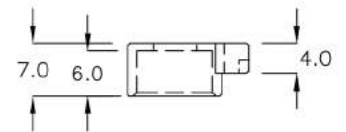
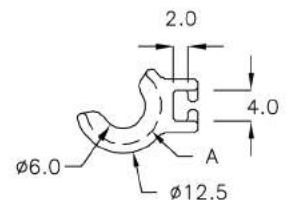
PART NO	A	PACKAGE
KYC-10RM	ø10.0	1000

6-120-3



電線固定座 WIRE MOUNT

MATERIAL: NYLON 66(UL)
FLAME CLASS: 94V-0
COLOR: NATURAL



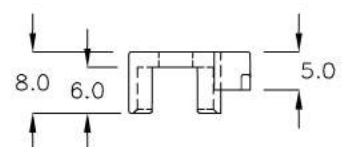
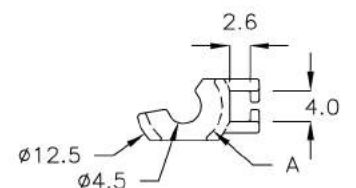
PART NO	A	PACKAGE
KYF-10	ø10.1	1000

6-120-4



電線固定座 WIRE MOUNT

MATERIAL: NYLON 66(UL)
FLAME CLASS: 94V-0
COLOR: NATURAL



PART NO	A	PACKAGE
KYF-10BQ	ø10.0	1000

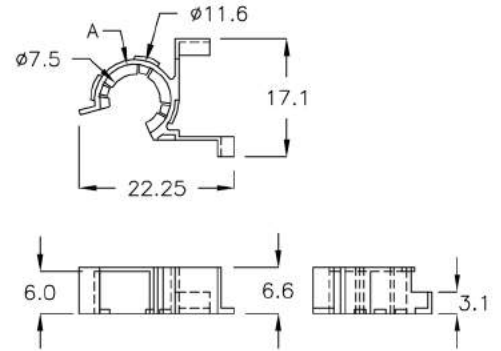
6-121-1



電線固定座 WIRE MOUNT

MATERIAL: NYLON 66(UL)
FLAME CLASS: 94V-0
COLOR: BLACK

PART NO	A	PACKAGE
KYM-10TP	ø10.4	1000



6-121-2

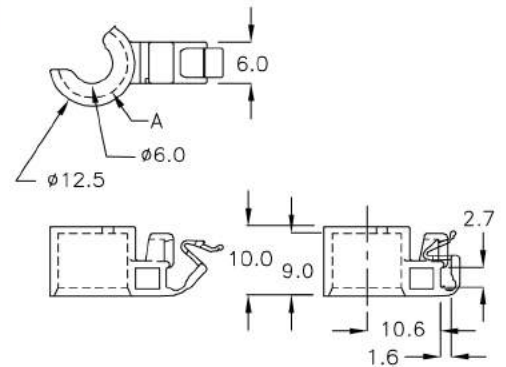


電線固定座 WIRE MOUNT

MATERIAL: NYLON 66(UL)
FLAME CLASS: 94V-0
COLOR: NATURAL

WITH LOCK FEATURE

PART NO	A	PACKAGE
KYR-10C	ø10.1	1000



6-121-3

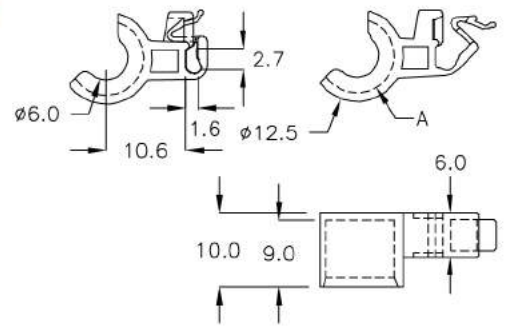


電線固定座 WIRE MOUNT

MATERIAL: NYLON 66(UL)
FLAME CLASS: 94V-0
COLOR: NATURAL

WITH LOCK FEATURE

PART NO	A	PACKAGE
KYR-10DA	ø10.1	1000



6-121-4

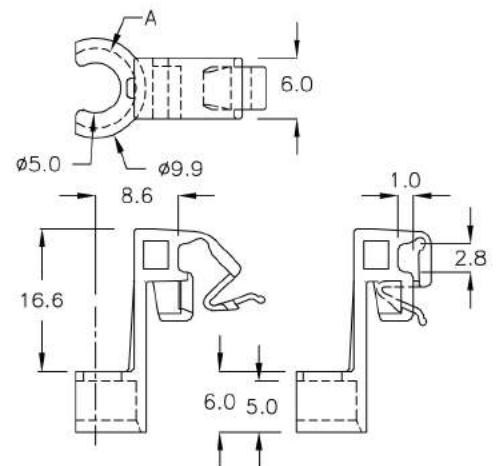


電線固定座 WIRE MOUNT

MATERIAL: NYLON 66(UL)
FLAME CLASS: 94V-0
COLOR: NATURAL

WITH LOCK FEATURE

PART NO	A	PACKAGE
KYT-08	ø7.9	1000



線材固定, 線材隔離 CABLE CLAMP, SADDLE

PINGOOD

6-122-1

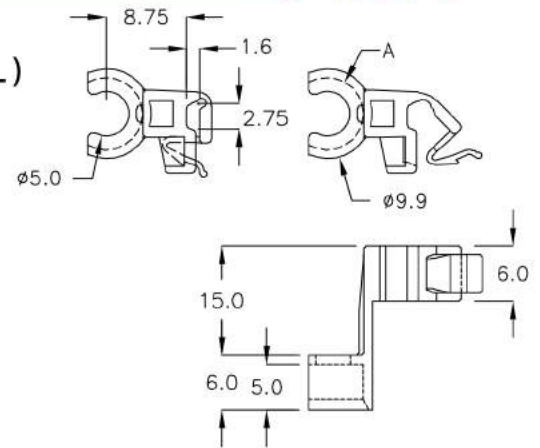
電線固定座 WIRE MOUNT



MATERIAL: NYLON 66(UL)
FLAME CLASS: 94V-0
COLOR: NATURAL

WITH LOCK FEATURE

PART NO	A	PACKAGE
KYT-8MY	ø7.9	1000



6-122-2

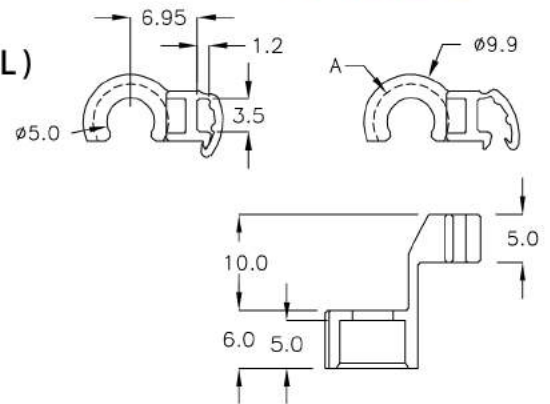
電線固定座 WIRE MOUNT



MATERIAL: NYLON 66(UL)
FLAME CLASS: 94V-0
COLOR: NATURAL

WITH LOCK FEATURE

PART NO	A	PACKAGE
KYW-8HL	ø7.9	1000



6-122-3

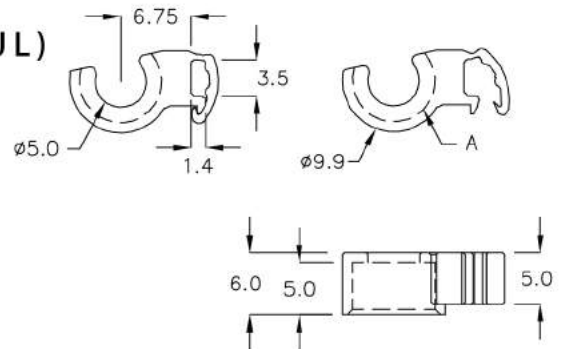
電線固定座 WIRE MOUNT



MATERIAL: NYLON 66(UL)
FLAME CLASS: 94V-0
COLOR: NATURAL

WITH LOCK FEATURE

PART NO	A	PACKAGE
KYH-08	ø7.9	1000



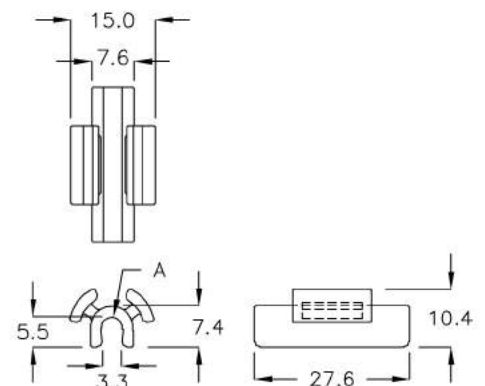
6-122-4

隔離束線座 WIRE SADDLE



MATERIAL: PP(UL)
FLAME CLASS: 94V-0
COLOR: BLACK

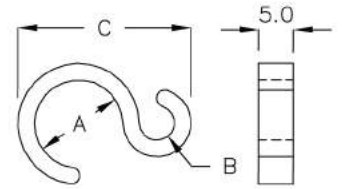
PART NO	A	PACKAGE
CIM-27A	ø3.8	1000



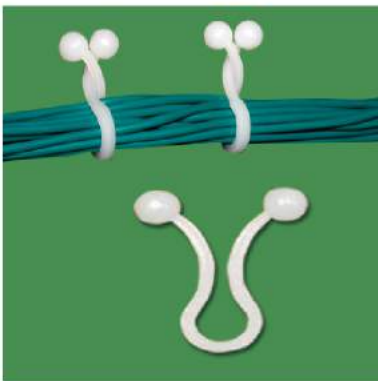


電線固定扣 WIRE MOUNT

MATERIAL: NYLON 66(UL)
FLAME CLASS: 94V-0
COLOR: NATURAL

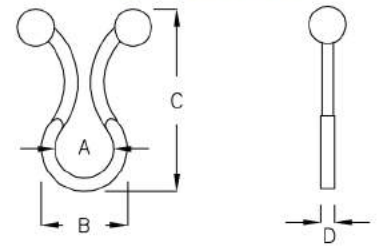


PART NO	A	B	C	PACKAGE
CHST-25	ø12.7	ø5.0	25.07	500
CHST-28	ø15.7	ø5.0	28.1	



電線固定環 TWIST LOCK

MATERIAL: NYLON 66(UL)
FLAME CLASS: 94V-2
COLOR: NATURAL



E154548(S)

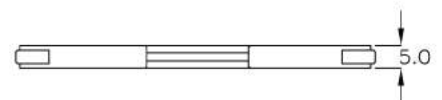
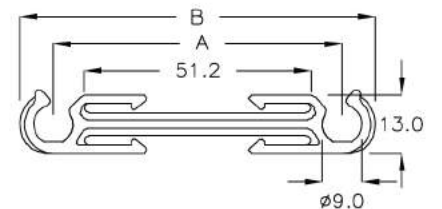
WITH LOCK FEATURE

PART NO	A	B	C	D	CLOSE DIA	UL	PACKAGE
A-3DS	3.9	6.3	14.5	1.3	ø3.0		1000
A-4A	4.4	7.2	14.95	1.6	ø3.5		
A-5KA	5.3	8.7	18.05	1.65	ø4.2		
A-5	5.0	8.5	22.0	1.8	ø4.2		
A-8	8.3	12.0	26.2	2.3	ø7.0	UL	
A-11	11.1	15.2	30.0	2.3	ø9.7		
A-13	13.2	17.2	32.5	2.3	ø11.5		
A-14A	14.7	18.7	35.0	2.0	ø13.2		
A-15	14.8	18.8	32.6	2.4	ø13.0		500
A-15A	15.0	19.0	33.7	1.8	ø14.0		
A-18	19.2	23.3	38.5	2.0	ø16.3	UL	
A-19	18.9	22.9	35.0	2.2	ø17.3		
A-22	22.0	27.5	42.0	2.0	ø20.0	UL	
A-25	25.0	29.7	44.8	2.35	ø23.0		
A-28	29.0	33.5	55.5	2.0	ø26.8		
A-30	29.6	33.7	55.5	2.0	ø27.0		



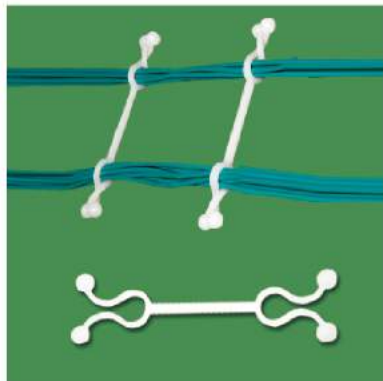
隔離束線座 WIRE SADDLE

MATERIAL: PP
COLOR: BLACK



PART NO	A	B	PACKAGE
CHA-01	65.0	80.0	200

電線固定環 TWIST LOCK

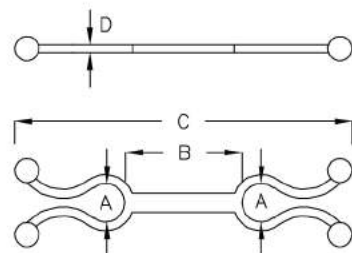


MATERIAL: NYLON 66(UL)
FLAME CLASS: 94V-2
COLOR: NATURAL, BLACK



WITH LOCK FEATURE

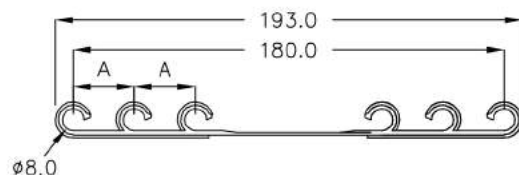
PART NO	A	B	C	D	CLOSE DIA	UL	PACKAGE
2A-7	7.0	32.7	73.8	1.9	ø5.9	UL	500
2A-7L	7.0	60.0	101.5	2.0	ø5.8		
2A-8	8.0	10.2	56.5	1.9	ø6.5	UL	
2A-10	10.0	30.4	82.2	2.0	ø8.6		
2A-10A	10.0	30.0	82.2	3.0	ø8.6		200
2A-13S	14.8	85.0	147.8	2.0	ø12.2		



電線固定座 WIRE MOUNT



MATERIAL: PP
COLOR: NATURAL



PART NO	A	PACKAGE
6FW-11	22.0	100

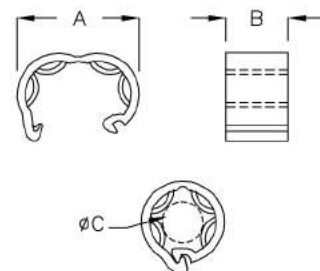
光纖固定座 FIBER HOUSING



MATERIAL: NYLON 66(UL)
FLAME CLASS: 94V-2
COLOR: NATURAL

WITH LOCK FEATURE

PART NO	A	B	C SUITABLE CABLE DIA	PACKAGE
CKR-01	11.5	6.0	ø4.0 ~ ø4.2	1000

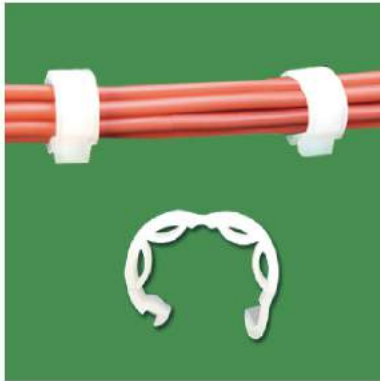


線材固定, 線材隔離 CABLE CLAMP, SADDLE

PINGOOD

6-125-1

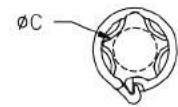
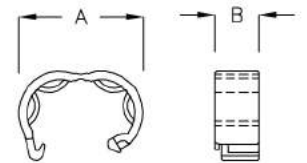
光纖固定座 FIBER HOUSING



MATERIAL: NYLON 66(UL)
FLAME CLASS: 94V-2
COLOR: NATURAL

WITH LOCK FEATURE

PART NO	A	B	C SUITABLE CABLE DIA	PACKAGE
CKR-02	15.0	5.3	ø5.3 ~ ø5.5	1000
CKR-3A	16.1	5.3	ø5.8 ~ ø6.0	



6-125-2

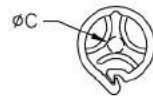
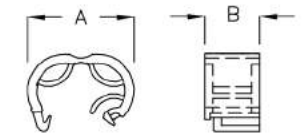
光纖固定座 FIBER HOUSING



MATERIAL: NYLON 66(UL)
FLAME CLASS: 94V-2
COLOR: NATURAL

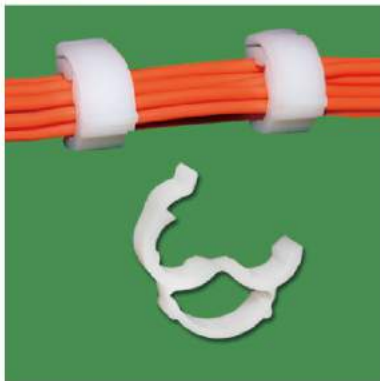
WITH LOCK FEATURE

PART NO	A	B	C SUITABLE CABLE DIA	PACKAGE
CKR-1P	10.5	5.3	ø1.5 ~ ø1.7	1000



6-125-3

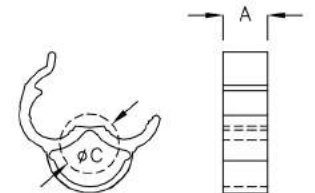
電線固定座 TIE MOUNT



MATERIAL: NYLON 66(UL)
FLAME CLASS: 94V-2
COLOR: NATURAL

WITH LOCK FEATURE

PART NO	A	C SUITABLE CABLE DIA	PACKAGE
CHH-01	8.0	ø8.6 ~ ø8.8	500
CHH-02	6.5	ø5.0 ~ ø5.2	1000
CHH-03	6.5	ø6.0 ~ ø6.2	
CHH-04	8.0	ø7.0 ~ ø7.2	500



6-125-4

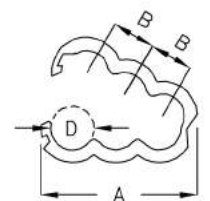
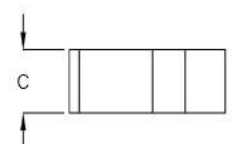
線夾 TUBE BINDER



MATERIAL: NYLON 66(UL)
FLAME CLASS: 94V-2
COLOR: BLACK

WITH LOCK FEATURE

PART NO	A	B	C	D CLOSE DIA	PACKAGE
FCM-20	14.2	4.1	6.0	ø4.4	1000
FCM-20C	8.6	2.3	5.0	ø2.1	



線材固定, 線材隔離 CABLE CLAMP, SADDLE

PINGOOD

6-126-1

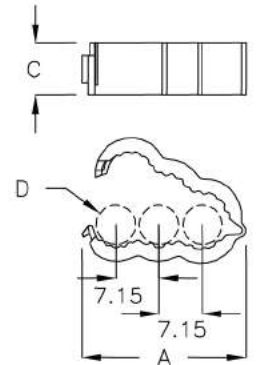
線夾 TUBE BINDER



MATERIAL: NYLON 66(UL)
FLAME CLASS: 94V-2
COLOR: BLACK

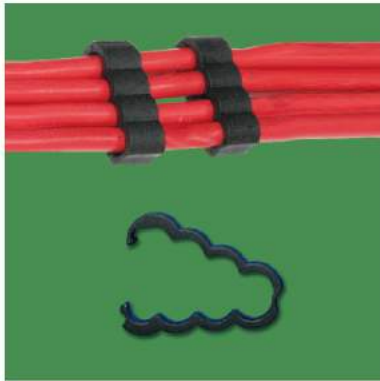
WITH LOCK FEATURE

PART NO	A	C	D CLOSE DIA	PACKAGE
FQC-17B	19.1	6.0	ø4.6	1000
FQC-22D	25.8	6.0	ø6.7	



6-126-2

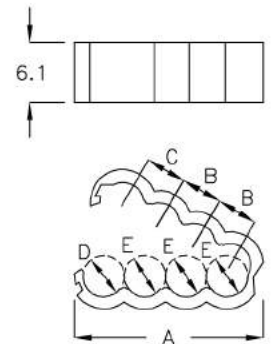
線夾 TUBE BINDER



MATERIAL: NYLON 66(UL)
FLAME CLASS: 94V-2
COLOR: BLACK

WITH LOCK FEATURE

PART NO	A	B	C	D CLOSE DIA	E CLOSE DIA	PACKAGE
FCM-20A	19.0	4.1	4.1	ø4.2	ø4.2	1000
FCM-20F	22.9	5.1	5.1	ø5.2	ø5.2	
FCM-20H	26.5	6.2	5.6	ø4.9	ø6.2	



6-126-3

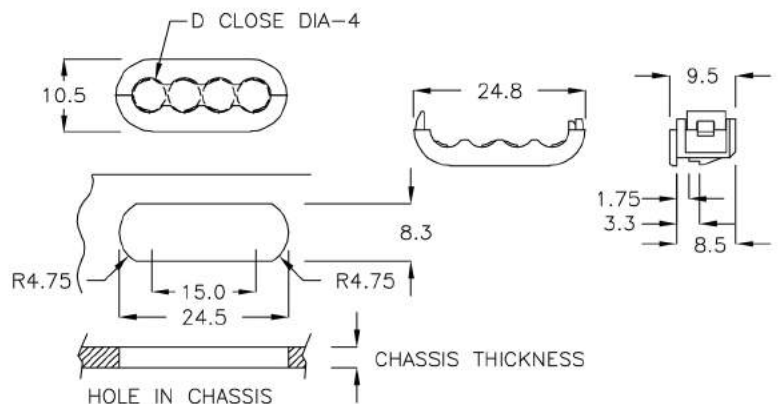
線夾 TUBE BINDER



MATERIAL: NYLON 66(UL)
FLAME CLASS: 94V-2
COLOR: BLACK

WITH LOCK FEATURE

PART NO	D CLOSE DIA	CHASSIS THICKNESS	PACKAGE
FCH-24A	ø4.7~ø5.0	1.5 , 3.0	500



線材固定, 線材隔離 CABLE CLAMP, SADDLE

PINGOOD

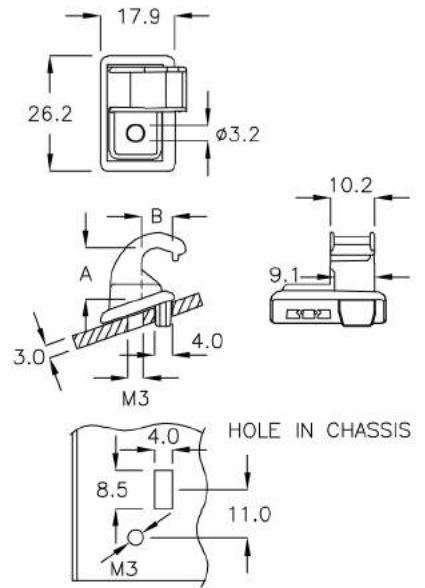
6-127-1

電線固定板 CABLE CLAMP



MATERIAL: NYLON 66(UL)
FLAME CLASS: 94V-2
COLOR: NATURAL

PART NO	A	B	PACKAGE
BAR-01	11.6	7.0	100



6-127-2

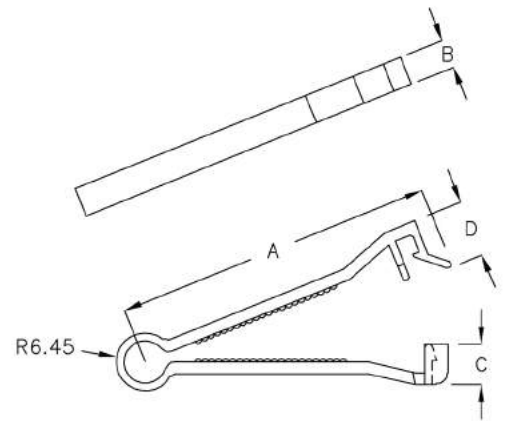
排線固定板 FLAT CABLE CLAMP



MATERIAL: NYLON 66(UL)
FLAME CLASS: 94V-2
COLOR: NATURAL

WITH LOCK FEATURE

PART NO	A	B	C	D	SUITABLE CABLE	PACKAGE
FCM-35A	70.55	6.4	8.9	12.5	40 PIN	200



6-127-3

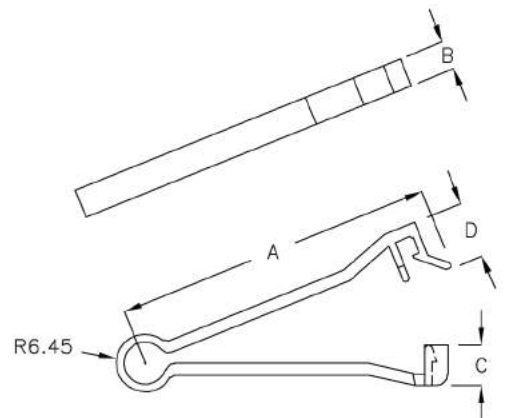
排線固定板 FLAT CABLE CLAMP



MATERIAL: NYLON 66(UL)
FLAME CLASS: 94V-2
COLOR: NATURAL

WITH LOCK FEATURE

PART NO	A	B	C	D	SUITABLE CABLE	PACKAGE
FCM-35S	62.55	6.4	8.9	12.5	30 PIN	200
FCM-35	70.55	6.4	8.9	12.5	40 PIN	
FCM-35M	97.65	7.9	8.9	12.7	60 PIN	100

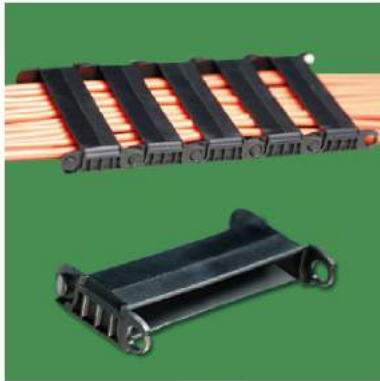


線材固定, 線材隔離 CABLE CLAMP, SADDLE

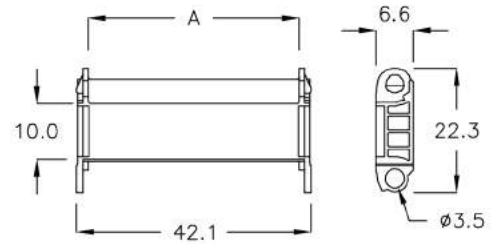
PINGOOD

6-128-1

隔離束線座 WIRE SADDLE



MATERIAL: N66+25%FRP
FLAME CLASS: 94V-0
COLOR: BLACK



PART NO	A	PACKAGE
DFK-38A	38.0	500

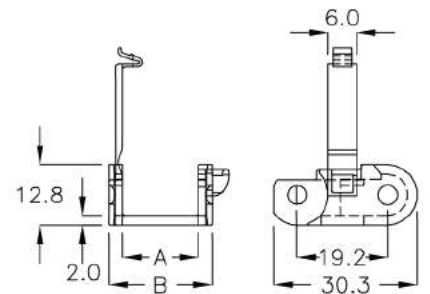
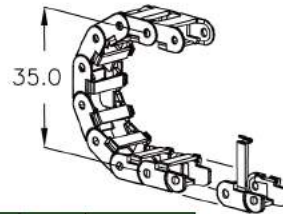
6-128-2

塑膠拖鏈 CABLE CARRIER



MATERIAL: NYLON 66(UL)
FLAME CLASS: 94V-2
COLOR: BLACK

NEW



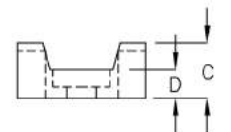
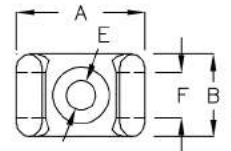
PART NO	A	B	PACKAGE
★DFG-16BL	16.0	22.5	200

6-128-3

電線固定座 WIRE SADDLE



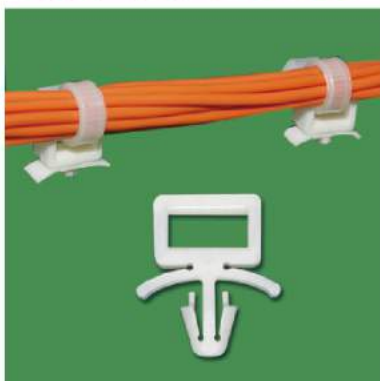
MATERIAL: NYLON 66(UL)
FLAME CLASS: 94V-2
COLOR: NATURAL
AB-1, AB-1L, AB-1S MUST BE USED WITH CABLE TIES



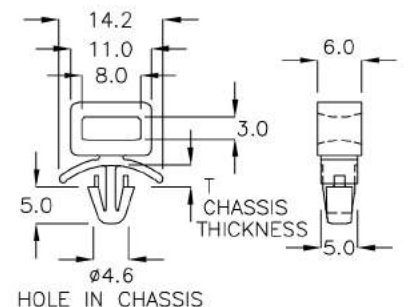
PART NO	A	B	C	D	E	F	PACKAGE
AB-1	15.3	10.0	6.6	3.4	$\phi 3.5$	5.1	1000
AB-1L	23.0	15.8	9.6	5.0	$\phi 6.5$	8.1	500
AB-1S	12.8	7.0	5.8	3.0	$\phi 3.3$	4.1	1000

6-128-4

電線固定座 CABLE SADDLE



MATERIAL: NYLON 66(UL)
FLAME CLASS: 94V-2
COLOR: NATURAL
YLC-16T MUST BE USED WITH CABLE TIES



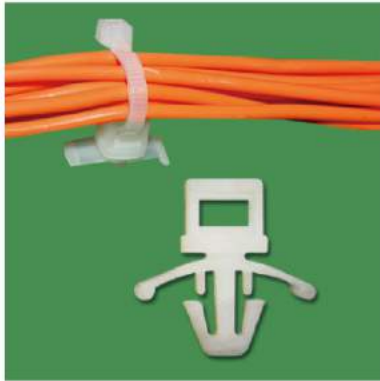
PART NO	T CHASSIS THICKNESS	PACKAGE
YLC-16T	0.8~2.0	500

線材固定, 線材隔離 CABLE CLAMP, SADDLE

PINGOOD

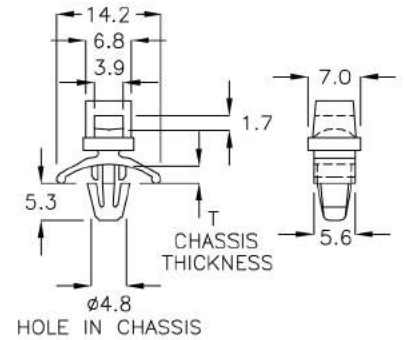
6-129-1

電線固定座 CABLE SADDLE



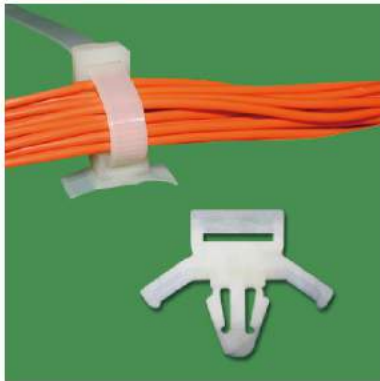
MATERIAL: NYLON 66(UL)
 FLAME CLASS: 94V-2
 COLOR: NATURAL
 YL-1 MUST BE USED
 WITH CABLE TIES

PART NO	T CHASSIS THICKNESS	PACKAGE
YL-1	0.8~2.0	1000



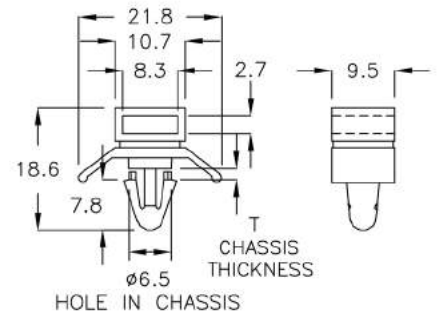
6-129-2

電線固定座 WIRE SADDLE



MATERIAL: NYLON 66(UL)
 FLAME CLASS: 94V-2
 COLOR: NATURAL
 YL-06 MUST BE USED
 WITH CABLE TIES

PART NO	T CHASSIS THICKNESS	PACKAGE
YL-06	1.6	500



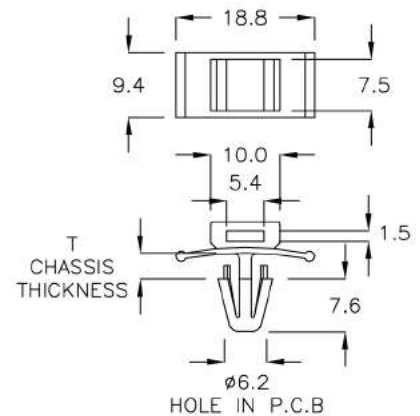
6-129-3

電線固定座 WIRE SADDLE



MATERIAL: NYLON 66(UL)
 FLAME CLASS: 94V-2
 COLOR: NATURAL
 YLA-01 MUST BE USED
 WITH CABLE TIES

PART NO	T CHASSIS THICKNESS	PACKAGE
YLA-01	3.2	500



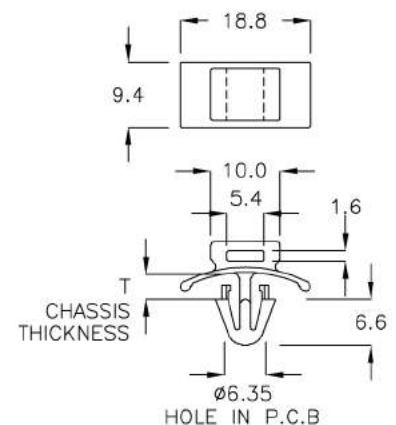
6-129-4

電線固定座 CABLE SADDLE



MATERIAL: NYLON 66(UL)
 FLAME CLASS: 94V-2
 COLOR: NATURAL
 YLB-1J MUST BE USED WITH
 CABLE TIES

PART NO	T CHASSIS THICKNESS	PACKAGE
YLB-1J	1.2~2.5	500

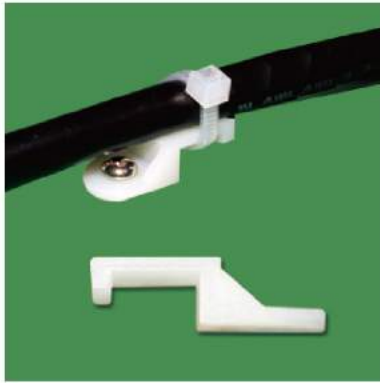


線材固定, 線材隔離 CABLE CLAMP, SADDLE

PINGOOD

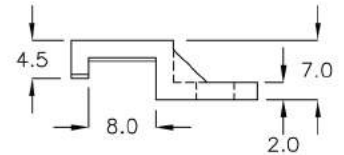
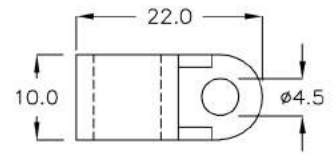
6-130-1

電線固定座 CABLE SADDLE



MATERIAL: NYLON 66(UL)
 FLAME CLASS: 94V-2
 COLOR: NATURAL
 YL-5 MUST BE USED
 WITH CABLE TIES

PART NO	A	B	PACKAGE
YL-5	22.0	10.0	1000



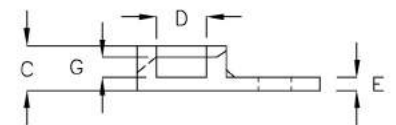
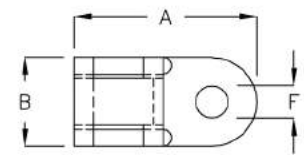
6-130-2

電線固定座 CABLE SADDLE



MATERIAL: NYLON 66(UL)
 FLAME CLASS: 94V-2
 COLOR: NATURAL
 YL-3, YL-03A, YL-3MC
 MUST BE USED WITH
 CABLE TIES

PART NO	A	B	C	D	E	F	G	PACKAGE
YL-3	19.5	9.5	4.8	5.3	1.4	∅3.5	2.2	1000
YL-03A	19.0	9.6	5.1	5.0	1.6	∅4.5	2.0	
YL-3MC	21.0	11.5	5.2	5.3	1.8	∅5.2	2.0	



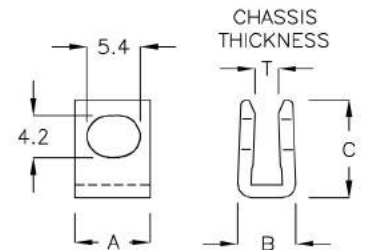
6-130-3

護線套 EDGING



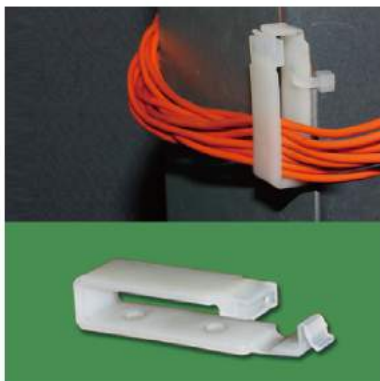
MATERIAL: NYLON 66(UL)
 FLAME CLASS: 94V-2
 COLOR: NATURAL
 UTF-7A MUST BE USED
 WITH CABLE TIES

PART NO	A	B	C	T CHASSIS THICKNESS	PACKAGE
UTF-7A	7.5	5.8	9.8	3.0	1000



6-130-4

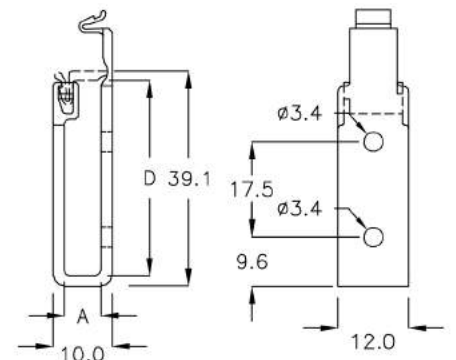
排線固定板 FLAT CABLE CLAMP



MATERIAL: NYLON 66(UL)
 FLAME CLASS: 94V-2
 COLOR: NATURAL

Inculde Lock Function

PART NO	A	D	PACKAGE
CZD-39A	6.4	35.8	100



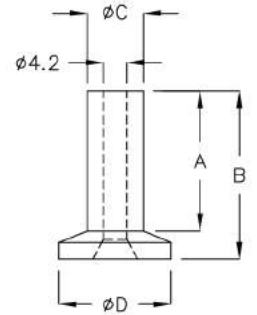
6-131-1



固定座 MOUNT

MATERIAL: NYLON 66(UL)
FLAME CLASS: 94V-2
COLOR: BLACK

PART NO	A	B	C	D	PACKAGE
FWK-23	23.0	28.0	9.8	19.6	200
FWK-25	25.0	30.0	10.0	20.0	
FWK-27	27.5	32.5	9.8	19.6	



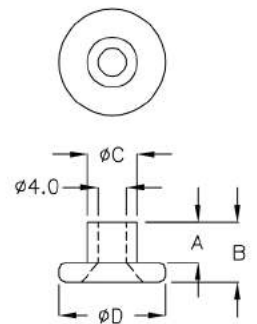
6-131-2



固定座 MOUNT

MATERIAL: NYLON 66(UL)
FLAME CLASS: 94V-2
COLOR: BLACK

PART NO	A	B	C	D	PACKAGE
FWK-08	5.7	8.4	7.0	14.9	500



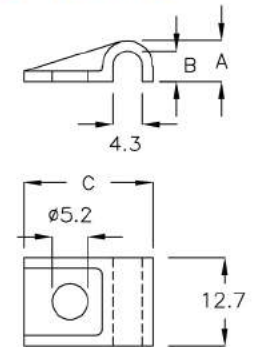
6-131-3



電線固定板 WIRE CLAMP

MATERIAL: NYLON 66(UL)
FLAME CLASS: 94V-2
COLOR: NATURAL

PART NO	A	B	C	PACKAGE
FSA-01	5.9	4.4	18.6	500



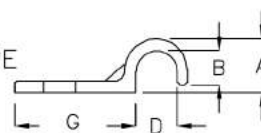
6-131-4



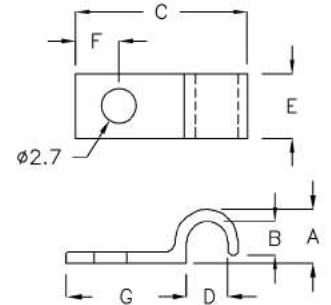
壓線固定板 WIRE CLAMP

MATERIAL: NYLON 66(UL)
FLAME CLASS: 94V-2
COLOR: NATURAL

此產品亦可貼背膠
OPTIONAL WITH ADHESIVE TAPE
ON BASE OF WIRE CLAMP



FORM.2



FORM.1

PART NO	A	B	C	D	E	F	G	FORM	PACKAGE
FSK-5A	3.0	1.8	12.8	2.0	5.0	5.0	10.0	FORM.1	1000
FSK-08	4.5	3.2	14.3	3.5	8.0	3.7	10.0	FORM.2	
FSK-10	5.5	4.1	15.3	4.5	10.0	3.7	10.0	FORM.2	500
FSK-10RP	6.5	5.0	16.0	5.5	10.0	3.0	9.3	FORM.2	
FSK-10KM	7.5	5.9	17.0	6.5	10.0	3.0	9.3	FORM.2	

線材固定, 線材隔離 CABLE CLAMP, SADDLE

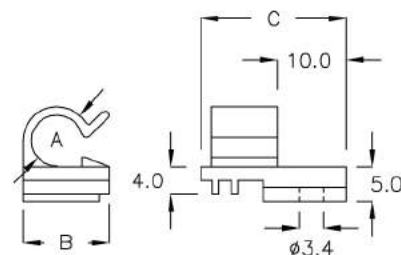
PINGOOD

6-132-1

隔離束線座 WIRE SADDLE



MATERIAL: NYLON 66(UL)
FLAME CLASS: 94V-2
COLOR: NATURAL
WITH M3 SCREW



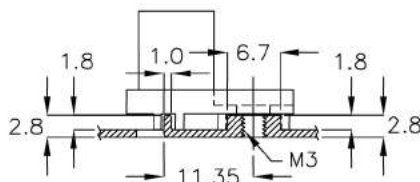
PART NO	A	B	C	PACKAGE
CHF-7	7.5	12.5	21.0	500

6-132-2

隔離束線座 WIRE SADDLE



MATERIAL: NYLON 66(UL)
FLAME CLASS: 94V-2
COLOR: NATURAL



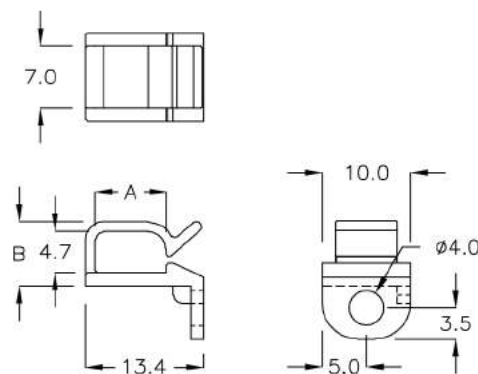
PART NO	A	B	C	PACKAGE
CHF-7A	10.0	12.8	21.0	500

6-132-3

電線固定座 WIRE MOUNT



MATERIAL: NYLON 66(UL)
FLAME CLASS: 94V-2
COLOR: NATURAL
WITH M3 or #6-32 SCREW



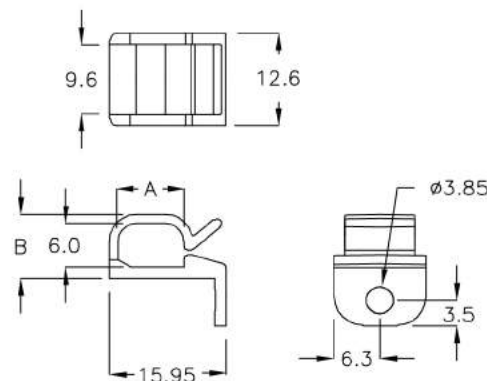
PART NO	A	B	PACKAGE
FAC-01	8.0	7.3	1000

6-132-4

電線固定座 WIRE MOUNT



MATERIAL: NYLON 66(UL)
FLAME CLASS: 94V-2
COLOR: NATURAL
WITH M3 or #6-32 SCREW



PART NO	A	B	PACKAGE
FAC-02	9.0	8.7	1000

線材固定, 線材隔離 CABLE CLAMP, SADDLE

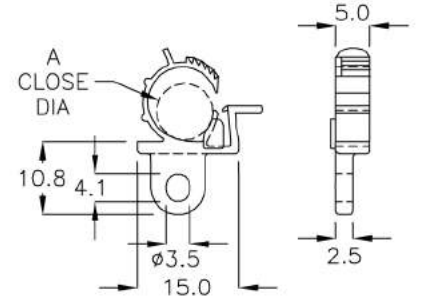
PINGOOD

6-133-1

電源線固定座 POWER CORD MOUNTING



MATERIAL: NYLON 66(UL)
FLAME CLASS: 94V-2
COLOR: BLACK
WITH M3 SCREW



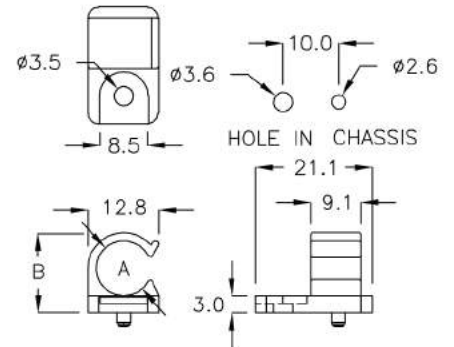
PART NO	A	PACKAGE
FWI-8CM	φ7.5~φ8.3	100

6-133-2

電線固定座 WIRE MOUNT



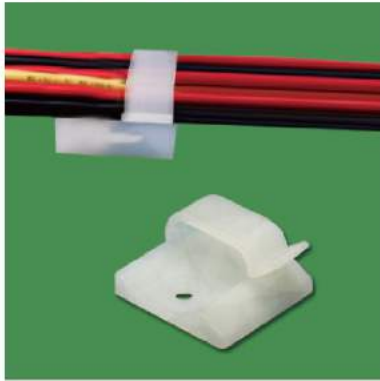
MATERIAL: NYLON 66(UL)
FLAME CLASS: 94V-2
COLOR: NATURAL
WITH M3 SCREW



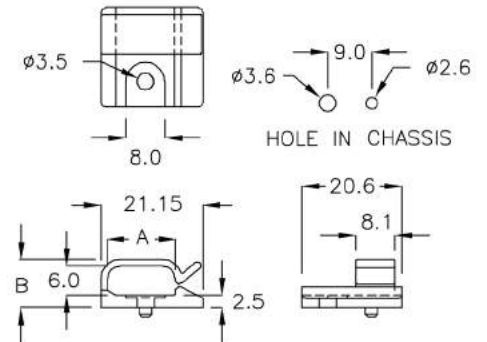
PART NO	A	B	PACKAGE
FAF-10	φ10.0	14.5	500

6-133-3

電線固定座 WIRE MOUNT



MATERIAL: NYLON 66(UL)
FLAME CLASS: 94V-2
COLOR: NATURAL
WITH M3 SCREW



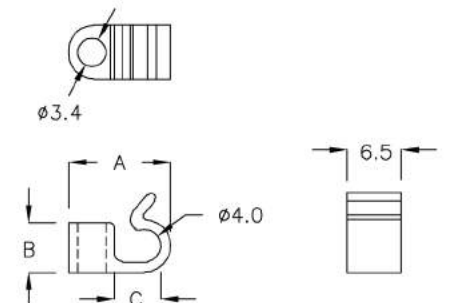
PART NO	A	B	PACKAGE
FAG-01	14.0	9.9	500

6-133-4

電線固定座 WIRE MOUNT



MATERIAL: NYLON 66(UL)
FLAME CLASS: 94V-2
COLOR: NATURAL
WITH M3 SCREW



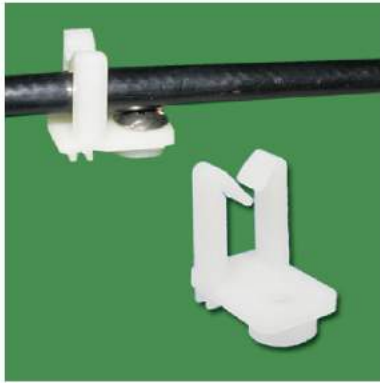
PART NO	A	B	C	PACKAGE
CHG-04	12.3	6.0	5.6	1000

線材固定, 線材隔離 CABLE CLAMP, SADDLE

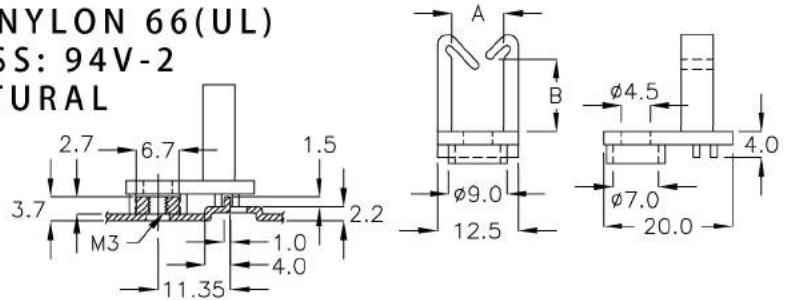
PINGOOD

6-134-1

隔離束線座 WIRE SADDLE



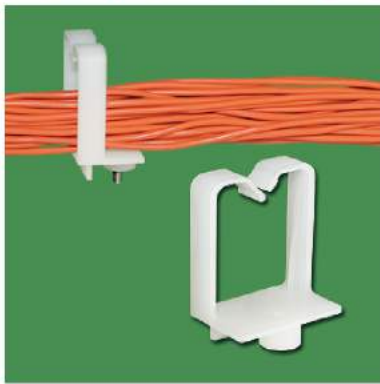
MATERIAL: NYLON 66(UL)
FLAME CLASS: 94V-2
COLOR: NATURAL



PART NO	A	B	PACKAGE
CHF-11E	8.0	11.2	500

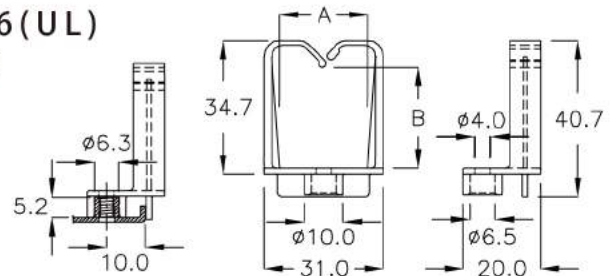
6-134-2

隔離束線座 WIRE SADDLE



MATERIAL: NYLON 66(UL)
FLAME CLASS: 94V-2
COLOR: NATURAL
WITH M3 SCREW

NEW



PART NO	A	B	PACKAGE
★ CHFM-27SJ	23.0	26.0	100

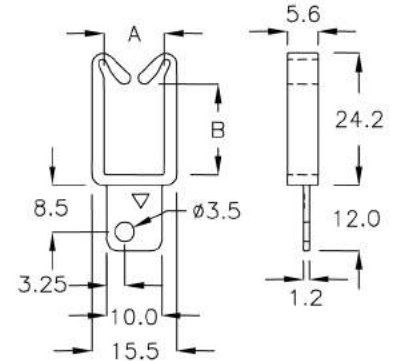
6-134-3

隔離束線座 WIRE SADDLE



MATERIAL: NYLON 66(UL)
FLAME CLASS: 94V-2
COLOR: NATURAL
WITH M3 SCREW

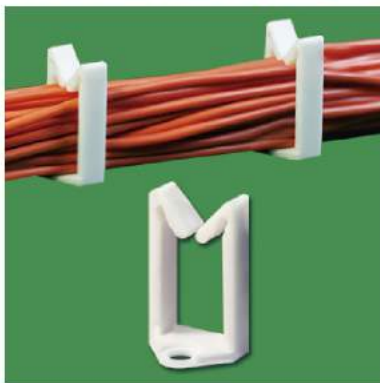
NEW



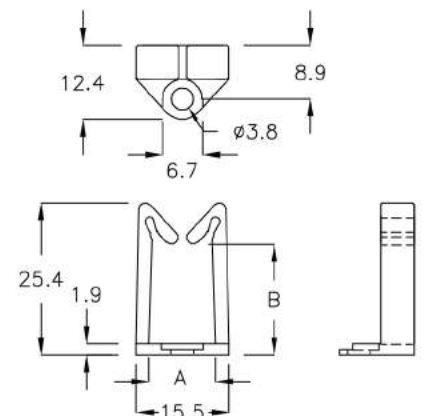
PART NO	A	B	PACKAGE
★ CNFK-11T	11.1	16.6	500

6-134-4

隔離束線座 WIRE SADDLE



MATERIAL: NYLON 66(UL)
FLAME CLASS: 94V-2
COLOR: NATURAL
WITH M3 or #6-32 SCREW



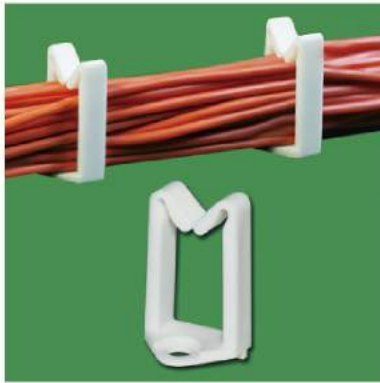
PART NO	A	B	PACKAGE
CNF-11	11.1	18.5	500

線材固定, 線材隔離 CABLE CLAMP, SADDLE

PINGOOD

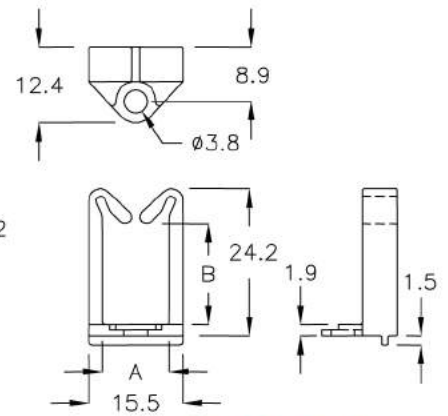
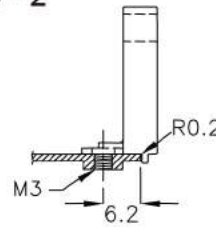
6-135-1

隔離束線座 WIRE SADDLE



MATERIAL: NYLON 66(UL)
FLAME CLASS: 94V-2
COLOR: NATURAL
WITH M3 SCREW

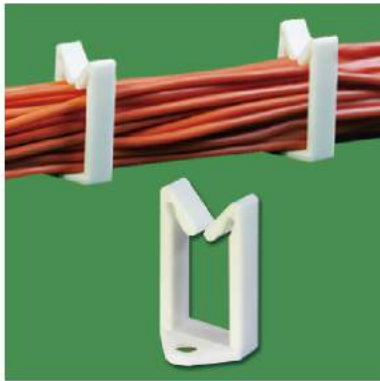
NEW



PART NO	A	B	PACKAGE
★ CNFA-11GS	11.1	16.6	500

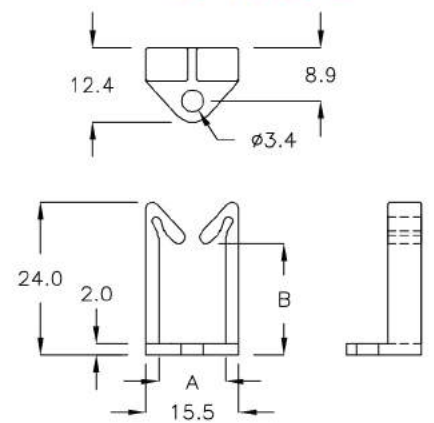
6-135-2

隔離束線座 WIRE SADDLE



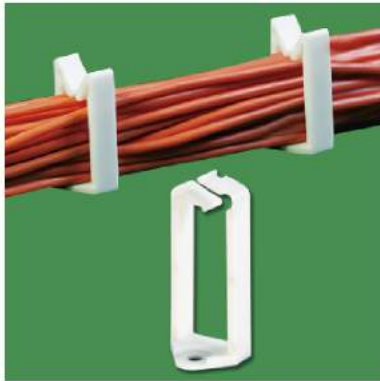
MATERIAL: NYLON 66(UL)
FLAME CLASS: 94V-2
COLOR: NATURAL
WITH M3 SCREW

PART NO	A	B	PACKAGE
CNF-12R	12.0	18.5	500



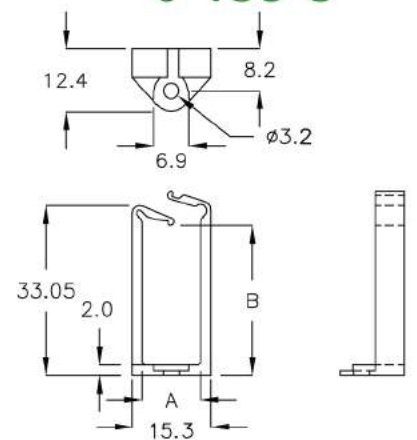
6-135-3

隔離束線座 WIRE SADDLE



MATERIAL: NYLON 66(UL)
FLAME CLASS: 94V-2
COLOR: NATURAL
WITH M3 SCREW

PART NO	A	B	PACKAGE
CNK-11DY	11.3	29.2	200



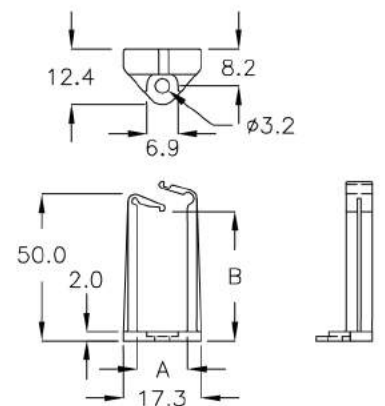
6-135-4

隔離束線座 WIRE SADDLE



MATERIAL: NYLON 66(UL)
FLAME CLASS: 94V-2
COLOR: BLACK
WITH M3 SCREW

PART NO	A	B	PACKAGE
CNK-11PH	11.3	46.1	100



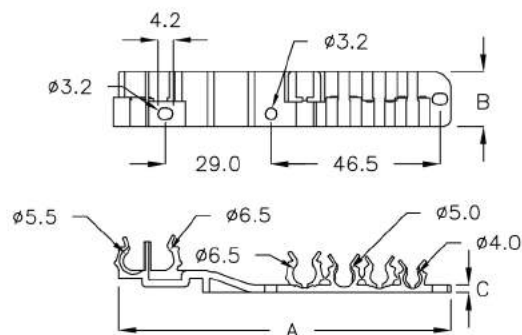
6-137-1



電線固定座 TIE MOUNT

MATERIAL: NYLON 66(UL)
FLAME CLASS: 94V-2
COLOR: NATURAL
WITH M3 SCREW

PART NO	A	B	C	PACKAGE
CTT-91	91.2	15.0	2.0	200



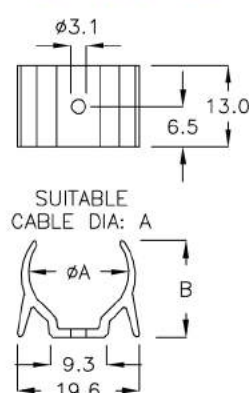
6-137-2



電線固定座 WIRE MOUNT

MATERIAL: NYLON 66(UL)
FLAME CLASS: 94V-2
COLOR: BLACK
WITH M3 SCREW

PART NO	A	B	PACKAGE
FW-08A	∅16.0	15.5	500



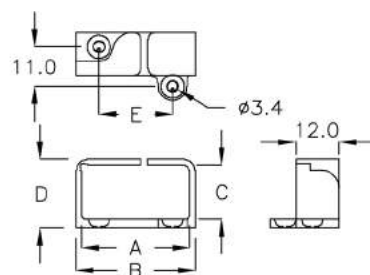
6-137-3



隔離束線座 WIRE SADDLE

MATERIAL: NYLON 66(UL)
FLAME CLASS: 94V-2
COLOR: BLACK
WITH M3 COUNTERSUNK SCREW

PART NO	A	B	C	D	E	PACKAGE
CNQ-30A	30.0	33.2	15.0	19.1	20.5	500
CNQ-40K	40.0	43.2	8.0	12.1	30.0	



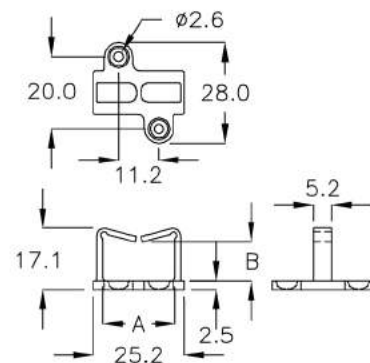
6-137-4



隔離束線座 WIRE SADDLE

MATERIAL: NYLON 66(UL)
FLAME CLASS: 94V-2
COLOR: BLACK
WITH M2.5 COUNTERSUNK SCREW

PART NO	A	B	PACKAGE
CNW-20TP	20.0	10.7	100

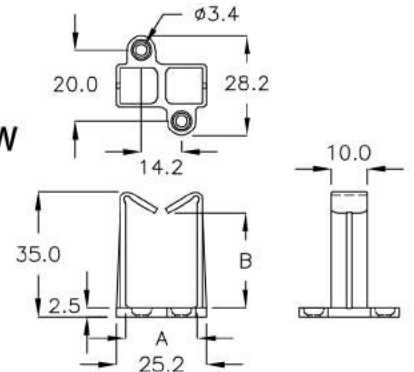




隔離束線座 WIRE SADDLE

MATERIAL: NYLON 66(UL)
 FLAME CLASS: 94V-2
 COLOR: BLACK
 WITH M3 COUNTERSUNK SCREW

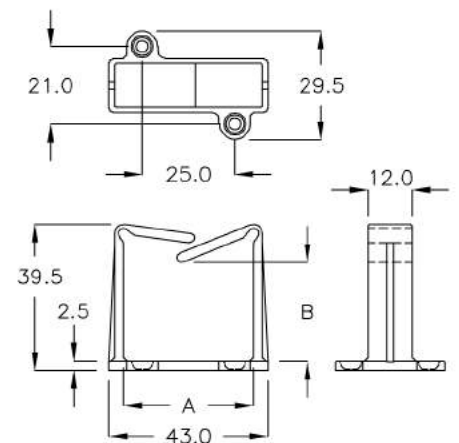
PART NO	A	B	PACKAGE
CNW-20K	20.0	26.5	500



隔離束線座 WIRE SADDLE

MATERIAL: NYLON 66(UL)
 FLAME CLASS: 94V-0
 COLOR: BLACK
 WITH M3 COUNTERSUNK SCREW

PART NO	A	B	PACKAGE
CNW-35H	35.0	26.7	100

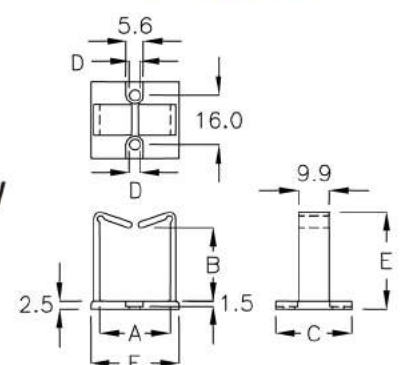


隔離束線座 WIRE SADDLE

MATERIAL: NYLON 66(UL)
 FLAME CLASS: 94V-2
 COLOR: BLACK
 WITH M3 COUNTERSUNK SCREW

NEW

PART NO	A	B	C	D	E	F	PACKAGE
★ CNH-22DC	22.8	24.0	24.8	3.5	31.5	28.8	100
★ CNH-28MG	28.6	40.4	24.8	3.5	53.2	35.0	



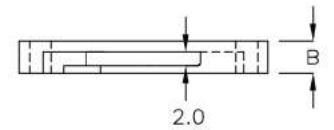
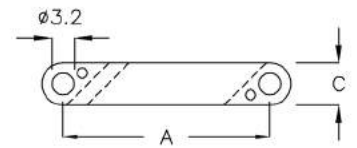
6-139-1



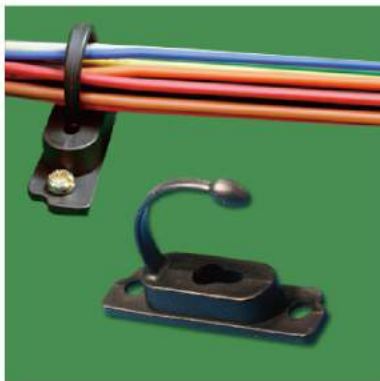
排線固定座 FLAT CABLE CLIP

MATERIAL: NYLON 66(UL)
FLAME CLASS: 94V-2
COLOR: NATURAL

PART NO	A	B	C	PACKAGE
FCM-01	29.1	4.5	6.0	500

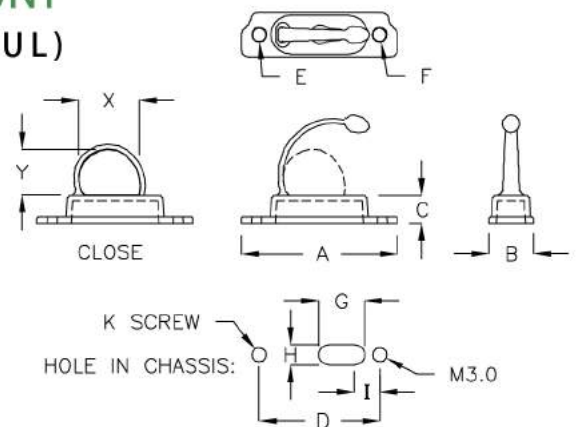


6-139-2



電線固定座 WIRE MOUNT

MATERIAL: NYLON 66(UL)
FLAME CLASS: 94V-2
COLOR: BLACK



WITH LOCK FEATURE

PART NO	A	B	C	D	E	F	G	H	I	X	Y	K SCREW	PACKAGE
CMD-3H	44.0	13.0	8.5	34.0	$\phi 4.0$	$\phi 4.0$	11.5	5.0	9.3	18.0	20.8	M3	200
CMD-3KZ	44.0	13.0	8.5	34.0	$\phi 3.0$	$\phi 3.0$	11.5	5.0	9.3	18.0	20.8	M2.5	
CMD-08	44.0	12.5	8.0	34.0	$\phi 4.0$	$\phi 4.0$	11.5	5.0	9.5	14.7	11.0	M3	
CMD-8F	44.0	13.0	8.5	34.0	$\phi 3.8$	$\phi 3.8$	11.5	5.0	9.3	16.0	14.2	M3	
CMD-8TM	56.0	15.0	8.5	46.0	3.2x4.0	$\phi 3.2$	11.5	5.0	10.8	23.0	16.0	M3	

6-139-3

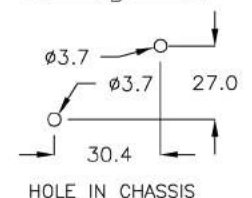
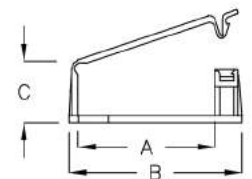
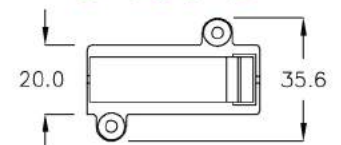


電線固定座 WIRE MOUNT

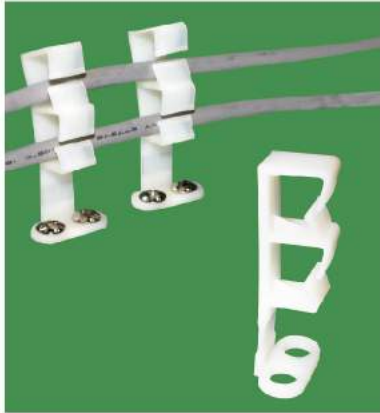
MATERIAL: NYLON 66(UL)
FLAME CLASS: 94V-2
COLOR: NATURAL
WITH M3 COUNTERSUNK SCREW

WITH LOCK FEATURE

PART NO	A	B	C	PACKAGE
FAK-39LY	39.4	49.7	18.0	100

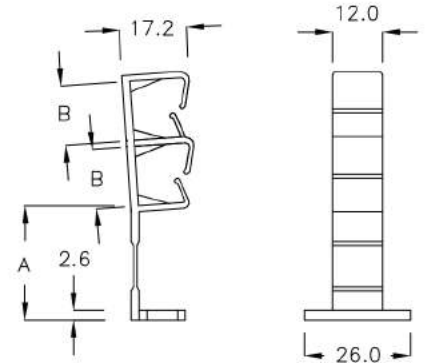


消磁線圈固定座 DEGAUSS COIL CLIP

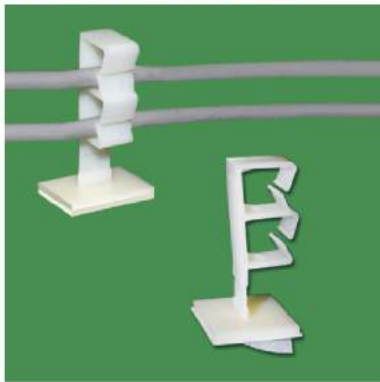


MATERIAL: NYLON 66(UL)
FLAME CLASS: 94V-2
COLOR: NATURAL

PART NO	A	B	PACKAGE
2CH-15	21.8	15.1	100

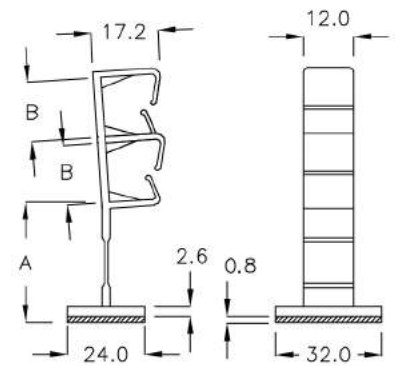


消磁線圈固定座 DEGAUSS COIL CLIP



MATERIAL: NYLON 66(UL)
FLAME CLASS: 94V-2
COLOR: NATURAL
ADHESIVE TAPE: 3M

PART NO	A	B	PACKAGE
2CH-15A	22.6	15.1	100

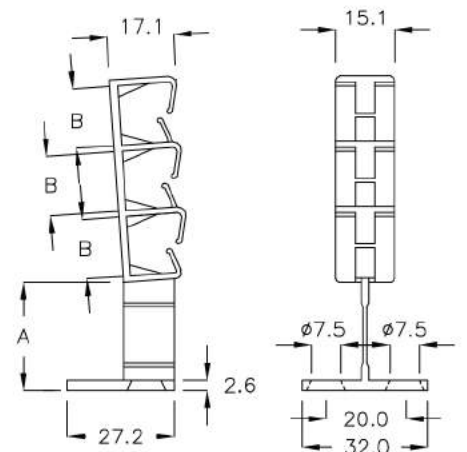


消磁線圈固定座 DEGAUSS COIL CLIP



MATERIAL: NYLON 66(UL)
FLAME CLASS: 94V-2
COLOR: NATURAL

PART NO	A	B	PACKAGE
3CH-15	27.6	15.1	100

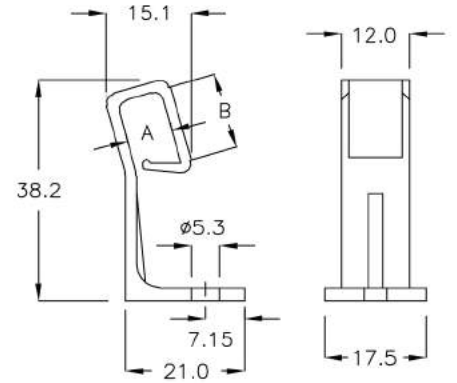


消磁線圈固定座 DEGAUSS COIL CLIP



MATERIAL: NYLON 66(UL)
FLAME CLASS: 94V-2
COLOR: NATURAL

PART NO	A	B	PACKAGE
CH-38	7.8	13.0	200

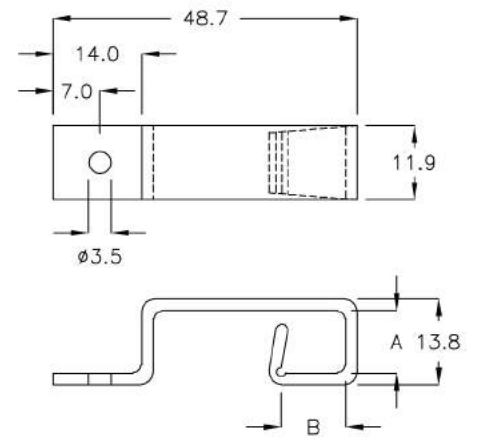


消磁線圈固定座 DEGAUSS COIL CLIP



MATERIAL: NYLON 66(UL)
FLAME CLASS: 94V-2
COLOR: NATURAL

PART NO	A	B	PACKAGE
CH-48	10.0	10.0	200

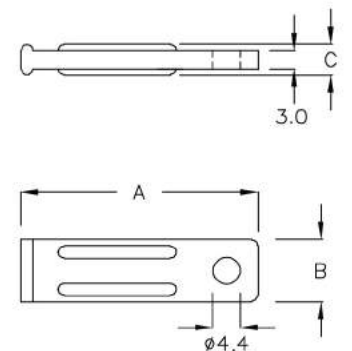


固定座 EDGE CONNECT BASE



MATERIAL: NYLON 66(UL)
FLAME CLASS: 94V-2
COLOR: NATURAL

PART NO	A	B	C	PACKAGE
PDB-01	38.0	10.0	5.0	500



線材固定, 線材隔離 CABLE CLAMP, SADDLE

PINGOOD

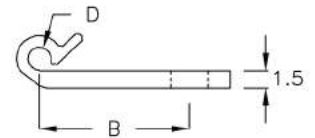
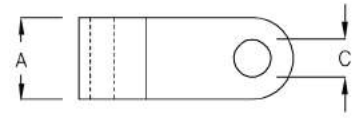
6-144-1

電線固定扣 CABLE CLAMP



MATERIAL: NYLON 66(UL)
FLAME CLASS: 94V-2
COLOR: NATURAL

PART NO	A	B	C	D	PACKAGE
PC-01J	7.0	12.8	ø3.2	ø2.0	1000
PC-1RL	7.0	12.75	ø3.2	ø2.1	



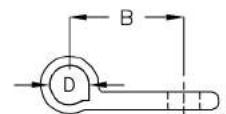
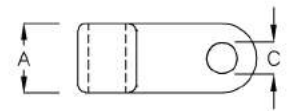
6-144-2

電線固定扣 CABLE CLAMP



MATERIAL: NYLON 66(UL)
FLAME CLASS: 94V-2
COLOR: NATURAL, BLACK

PART NO	A	B	C	D	PACKAGE
PCG-5A	10.0	19.0	ø4.6	ø5.4	500
PCG-5CK	10.0	26.0	ø5.4	ø5.4	
PCG-5NW	9.6	11.6	ø3.5	ø5.35	
PCG-7F	9.5	11.75	ø5.4	ø7.5	



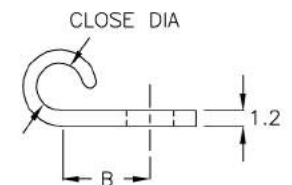
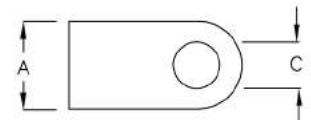
6-144-3

電線固定扣 CABLE CLAMP



MATERIAL: NYLON 66(UL)
FLAME CLASS: 94V-2
COLOR: NATURAL

PART NO	A	B	C	CLOSE DIA	PACKAGE
PC-01D	6.6	6.7	ø3.5	ø2.7	2000
PC-1A	6.5	6.7	ø3.4	ø3.4	
PC-2A	8.5	11.4	ø4.4	ø5.0	1000
PC-02D	8.6	13.8	ø4.4	ø5.7	
PC-2Q	7.5	9.3	ø4.1	ø4.0	



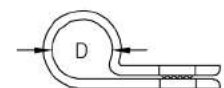
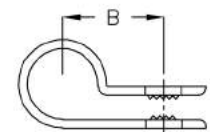
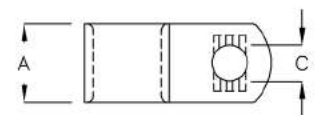
6-144-4

電線固定扣 CABLE CLAMP



MATERIAL: NYLON 66(UL)
FLAME CLASS: 94V-2
COLOR: NATURAL, BLACK
OPTIONAL FLAME CLASS: 94V-0

PART NO	A	B	C	D CLOSE DIA	PACKAGE
PC-09	9.5	12.2	ø4.4	ø7.5	500
PC-5HM	9.5	11.1	ø4.3	ø5.6	



線材固定,線材隔離 CABLE CLAMP,SADDLE

PINGOOD

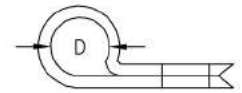
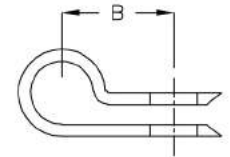
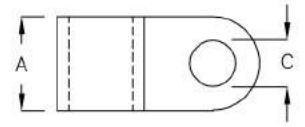
6-145-1

電線固定扣 CABLE CLAMP



MATERIAL: NYLON 66(UL)
FLAME CLASS: 94V-2
COLOR: NATURAL, BLACK

PART NO	A	B	C	D CLOSE DIA	PACKAGE
PC-1	13.5	9.0	ø5.4	ø3.6	1000
PC-1C	9.5	8.3	ø4.4	ø3.0	2000
PC-1K	6.3	9.0	ø3.1	ø3.5	
PC-1Q	6.5	9.5	ø3.1	ø3.0	
PC-1S	6.5	6.7	ø3.5	ø3.1	
PC-2	10.2	11.5	ø4.0	ø5.0	1000
PC-2H	9.7	11.7	ø4.1	ø4.5	
PC-2K	12.7	10.7	ø5.2	ø5.7	
PC-2L	9.6	12.1	ø5.0	ø7.3	
PC-2M	9.8	12.1	ø5.1	ø6.1	500
PC-2S	9.8	12.0	ø5.1	ø6.9	
PC-3	10.0	11.9	ø4.4	ø5.6	
PC-3K	9.0	11.35	ø3.5	ø5.7	
PC-3M	8.3	9.8	ø4.0	ø5.0	
PC-4	9.9	12.1	ø4.1	ø8.3	
PC-5	12.4	13.4	ø5.0	ø8.8	
PC-05C	9.5	12.0	ø3.2	ø8.3	
PC-5F	9.5	16.0	ø4.1	ø8.7	
PC-5GW	9.6	12.1	ø4.4	ø5.6	
PC-6	13.5	16.5	ø5.25	ø11.4	

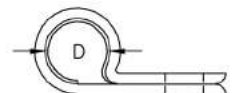
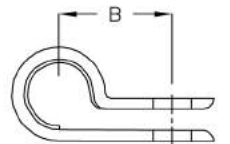
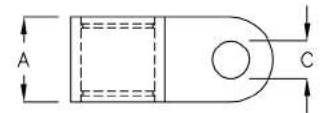


電線固定扣 CABLE CLAMP



MATERIAL: NYLON 66(UL)
FLAME CLASS: 94V-2
COLOR: NATURAL
OPTIONAL FLAME CLASS: 94V-0

PART NO	A	B	C	D CLOSE DIA	PACKAGE
PC-3L	10.0	10.0	ø4.4	ø5.5	500
PC-03C	9.8	11.3	ø4.2	ø6.9	
PC-02C	9.8	12.0	ø4.2	ø7.7	
PC-6M	10.0	15.1	ø4.0	ø11.0	

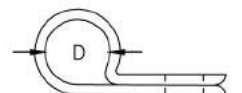
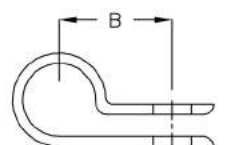
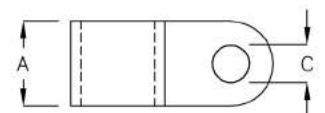


電線固定扣 CABLE CLAMP



MATERIAL: NYLON 66(UL)
FLAME CLASS: 94V-2
COLOR: NATURAL, BLACK
OPTIONAL FLAME CLASS: 94V-0

PART NO	A	B	C	D CLOSE DIA	PACKAGE
PC-3KF	9.0	11.35	ø3.5	ø5.7	500



6-145-3

線材固定, 線材隔離 CABLE CLAMP, SADDLE

PINGOOD

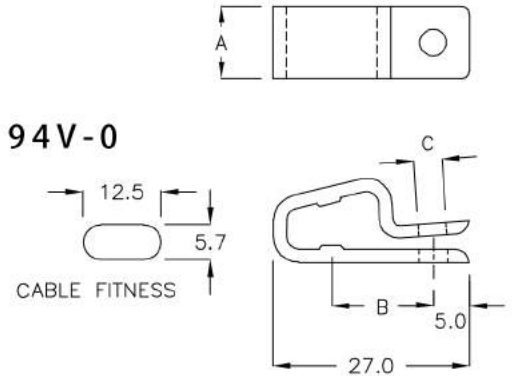
6-146-1

電線固定扣 CABLE CLAMP



MATERIAL: NYLON 66(UL)
 FLAME CLASS: 94V-2
 COLOR: NATURAL
 OPTIONAL FLAME CLASS: 94V-0

PART NO	A	B	C	PACKAGE
PL-1	10.0	13.4	ø4.0	500



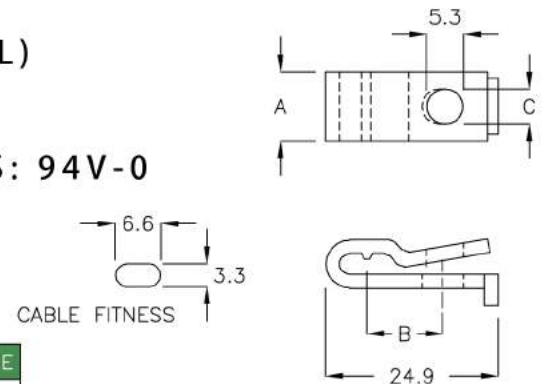
6-146-2

電線固定扣 CABLE CLAMP



MATERIAL: NYLON 66(UL)
 FLAME CLASS: 94V-2
 COLOR: NATURAL
 OPTIONAL FLAME CLASS: 94V-0

PART NO	A	B	C	PACKAGE
PL-01A	10.1	11.0	ø5.0	500



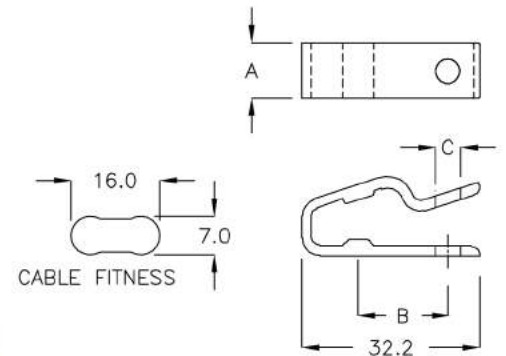
6-146-3

電線固定扣 CABLE CLAMP



MATERIAL: NYLON 66(UL)
 FLAME CLASS: 94V-0
 COLOR: NATURAL

PART NO	A	B	C	PACKAGE
PL-3	10.0	16.15	ø4.5	500



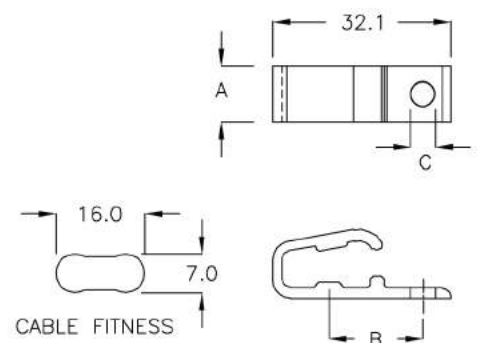
6-146-4

電線固定扣 CABLE CLAMP



MATERIAL: NYLON 66(UL)
 FLAME CLASS: 94V-0
 COLOR: NATURAL

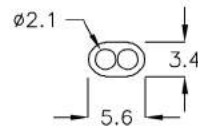
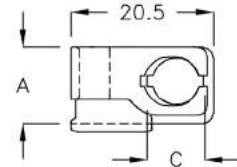
PART NO	A	B	C	PACKAGE
PL-04	10.0	17.0	ø4.5	500



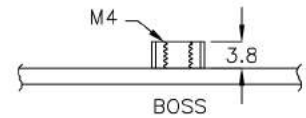
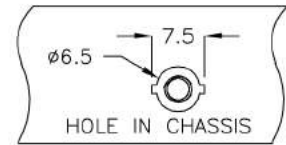
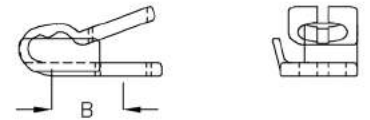
電線固定扣 CABLE CLAMP



MATERIAL: NYLON 66(UL)
FLAME CLASS: 94V-2
COLOR: BLACK



CABLE FITNESS

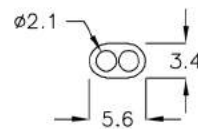
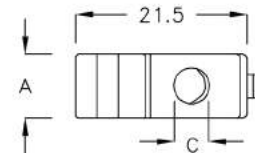


PART NO	A	B	C	PACKAGE
PLA-3F	11.0	9.8	8.0	500

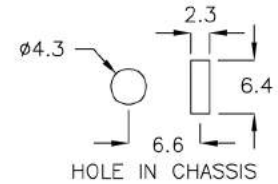
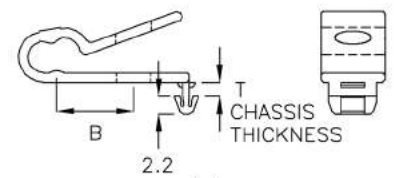
電線固定扣 CABLE CLAMP



MATERIAL: NYLON 66(UL)
FLAME CLASS: 94V-2
COLOR: BLACK



CABLE FITNESS

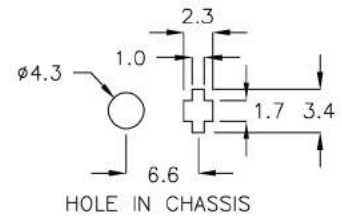
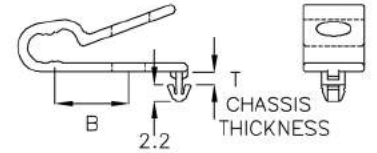
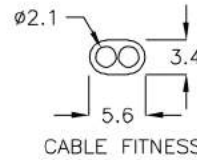
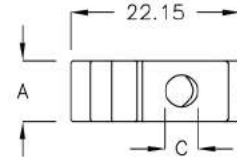


PART NO	A	B	C	T CHASSIS THICKNESS	PACKAGE
PLB-3Q	8.0	9.6	4.3	1.6	500

電線固定扣 CABLE CLAMP



MATERIAL: NYLON 66(UL)
FLAME CLASS: 94V-2
COLOR: BLACK

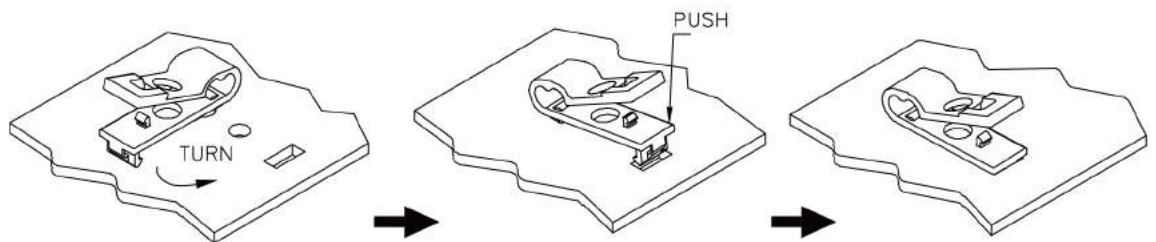
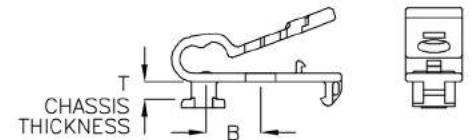
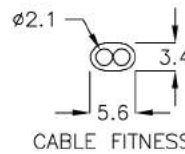
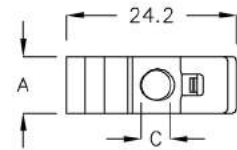


PART NO	A	B	C	T CHASSIS THICKNESS	PACKAG
PLB-3RM	8.0	9.6	$\phi 4.3$	1.1~1.4	500

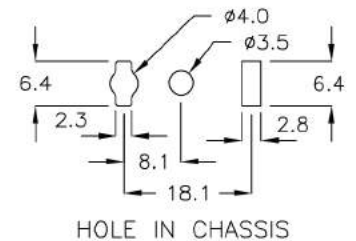
電線固定扣 CABLE CLAMP



MATERIAL: NYLON 66(UL)
FLAME CLASS: 94V-2
COLOR: BLACK



PART NO	A	B	C	T CHASSIS THICKNESS	PACKAGE
PLC-3KF	8.0	7.8	$\phi 4.3$	2.0	500

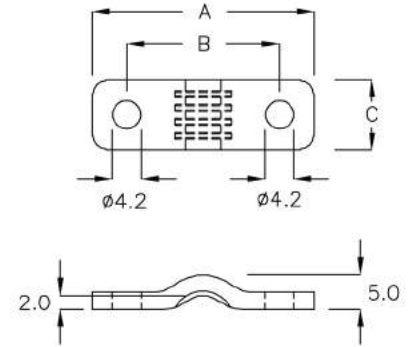


電線固定座 WIRE MOUNT



MATERIAL: NYLON 66(UL)
FLAME CLASS: 94V-2
COLOR: NATURAL

PART NO	A	B	C	PACKAGE
PCT-01	32.0	22.0	10.0	500

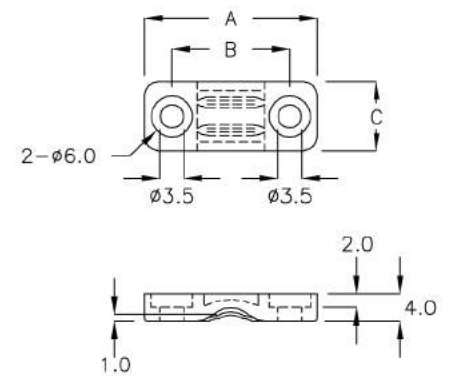


電線固定座 WIRE MOUNT



MATERIAL: NYLON 66(UL)
FLAME CLASS: 94V-2
COLOR: BLACK

PART NO	A	B	C	PACKAGE
PCT-06	25.0	17.0	10.0	500

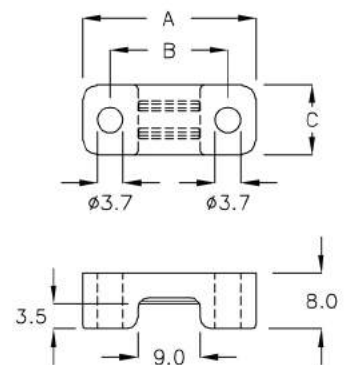


電線固定座 WIRE MOUNT



MATERIAL: NYLON 66(UL)
FLAME CLASS: 94V-2
COLOR: BLACK

PART NO	A	B	C	PACKAGE
PCT-03	25.0	17.0	10.0	500

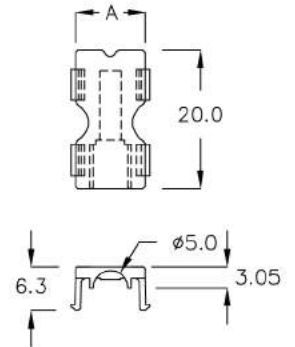
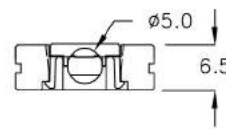


線材固定, 線材隔離 CABLE CLAMP, SADDLE

PINGOOD

6-150-1

電線固定座 WIRE MOUNT



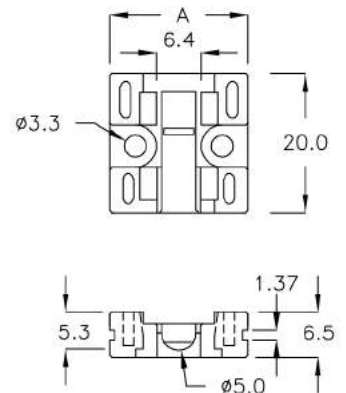
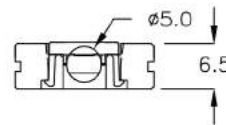
PART NO	A	PACKAGE
PCU-1A	10.0	500

ASSEMBLE WITH P.G PART PCW-01 (Page 6-150-2)

MATERIAL: NYLON 66(UL)
FLAME CLASS: 94V-2
COLOR: BLACK

6-150-2

電線固定座 WIRE MOUNT



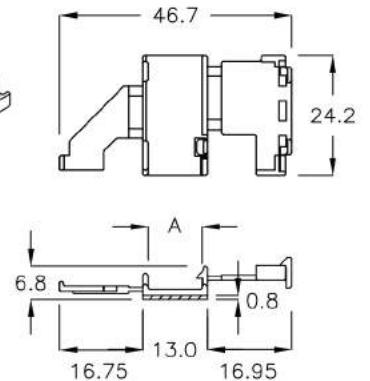
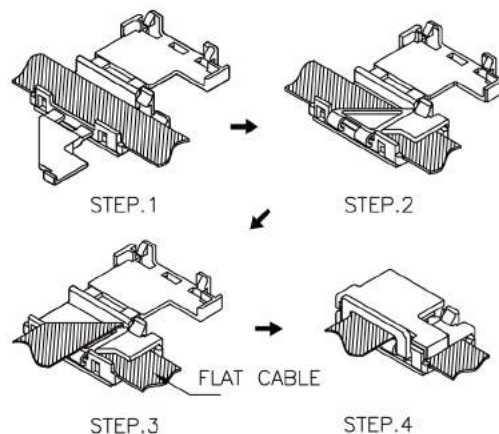
PART NO	A	PACKAGE
PCW-01	20.0	500

ASSEMBLE WITH P.G PART PCU-1A (Page 6-150-1)

MATERIAL: NYLON 66(UL)
FLAME CLASS: 94V-2
COLOR: BLACK

6-150-3

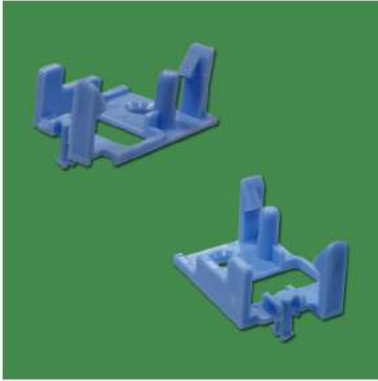
排線固定座 FLAT CABLE MOUNT



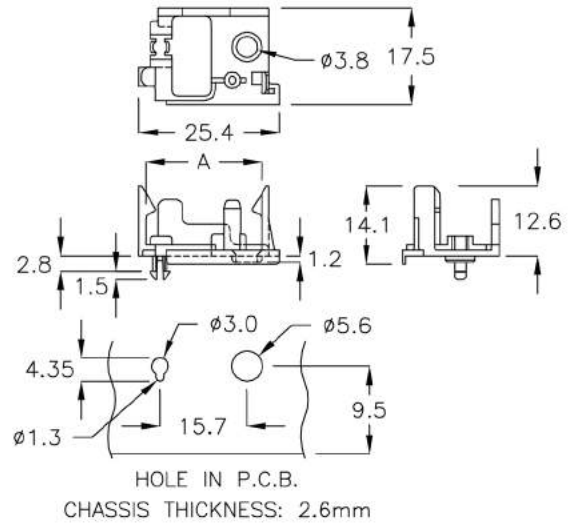
PART NO	A	PACKAGE
DFB-11	11.0	100

MATERIAL: NYLON 66(UL)
FLAME CLASS: 94V-2
COLOR: BLACK
ADHESIVE TAPE: 3M

排線固定座 FLAT CABLE MOUNT

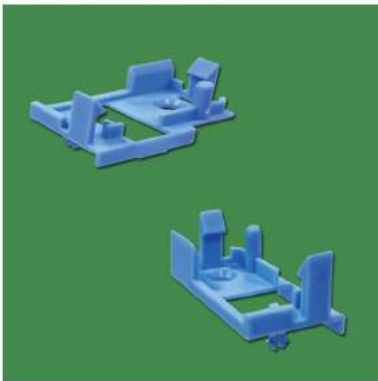


MATERIAL: NYLON 66(UL)
FLAME CLASS: 94V-0
COLOR: BLUE

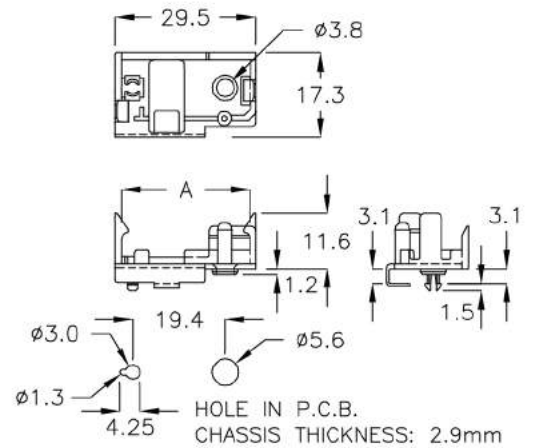


PART NO	A	PACKAGE
DFQ-21CA	21.0	500

排線固定座 FLAT CABLE MOUNT



MATERIAL: NYLON 66(UL)
FLAME CLASS: 94V-0
COLOR: BLUE



PART NO	A	PACKAGE
DFQ-27MJ	26.9	500

7



EMI扣
SLEEVE FERRITE CLAMP

EMI扣 SLEEVE FERRITE CLAMP

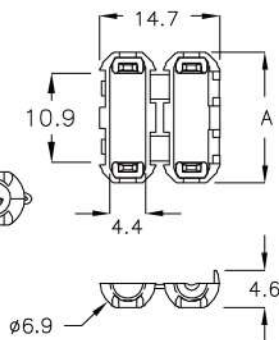
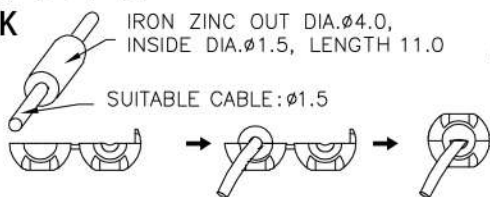
PINGOOD

7-2-1

EMI扣 SLEEVE FERRITE CLAMP



MATERIAL: NYLON 66(UL)
FLAME CLASS: 94V-2
COLOR: BLACK

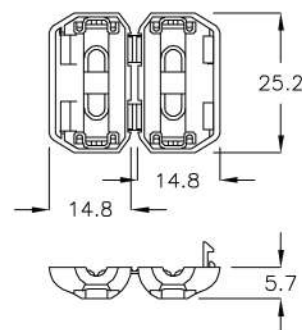


PART NO	A	SUITABLE CABLE	PACKAGE
EMR-1C	16.0	φ1.15	500

7-2-2

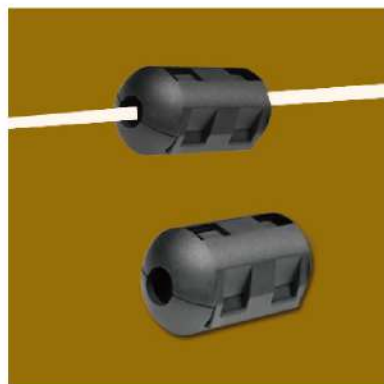


EMI扣 SLEEVE FERRITE CLAMP
MATERIAL: NYLON 66(UL)
FLAME CLASS: 94V-2
COLOR: BLACK

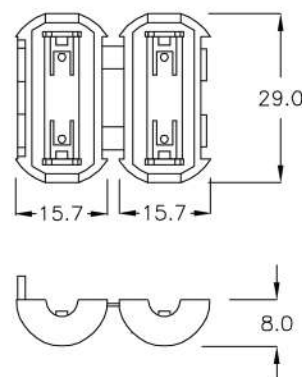


PART NO	SUITABLE CABLE	PACKAGE
EMR-3A	φ3.5	500

7-2-3



EMI扣 SLEEVE FERRITE CLAMP
MATERIAL: NYLON 66(UL)
FLAME CLASS: 94V-2
COLOR: BLACK

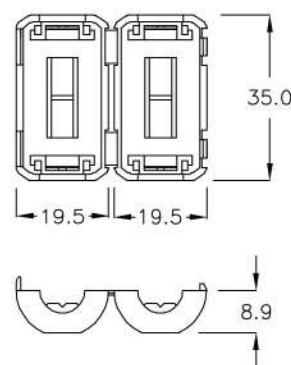


PART NO	SUITABLE CABLE	PACKAGE
EMR-05	φ5.0	200

7-2-4



EMI扣 SLEEVE FERRITE CLAMP
MATERIAL: NYLON 66(UL)
FLAME CLASS: 94V-2
COLOR: BLACK



PART NO	SUITABLE CABLE	PACKAGE
EMR-7A	φ7.5	200

EMI扣 SLEEVE FERRITE CLAMP

PINGOOD

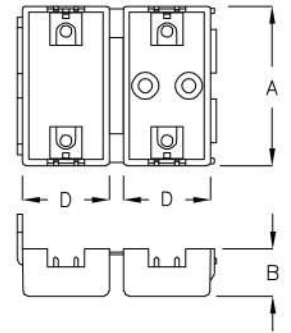
7-3-1

EMI扣 SLEEVE FERRITE CLAMP

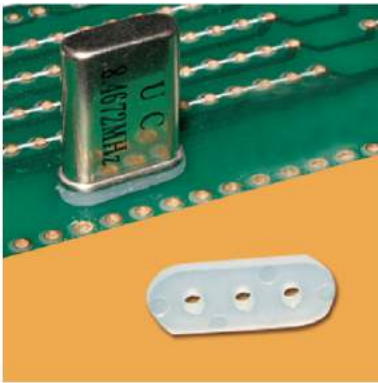


MATERIAL: NYLON 66(UL)
FLAME CLASS: 94V-2
COLOR: BLACK

PART NO	A	B	D	SUITABLE CABLE	PACKAGE
EMQ-06	32.8	9.7	18.0	φ6.0	200
EMQ-13	32.7	15.0	30.0	φ13.0	100
EMQ-9A	32.8	11.6	22.7	φ8.5	

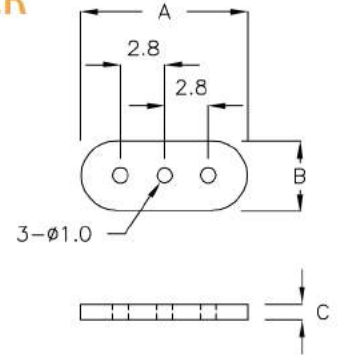


8-2-1



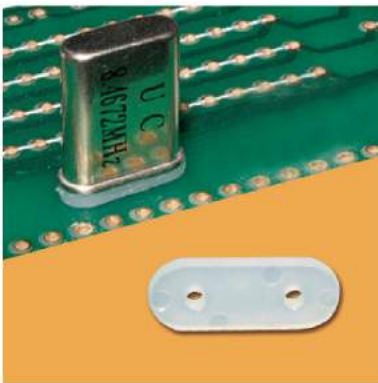
振盪晶體墊片 OSCILLATOR WASHER

MATERIAL: NYLON 66(UL)
FLAME CLASS: 94V-2
COLOR: NATURAL



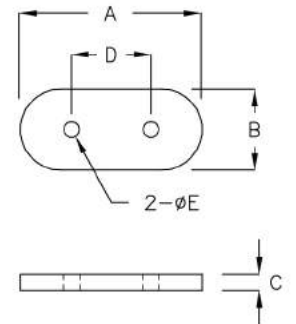
PART NO	A	B	C	PACKAGE
TQ-05	10.8	4.5	1.0	2000

8-2-2



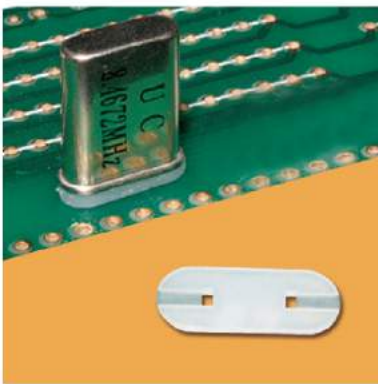
振盪晶體墊片 OSCILLATOR WASHER

MATERIAL: NYLON 66(UL)
FLAME CLASS: 94V-2
COLOR: NATURAL



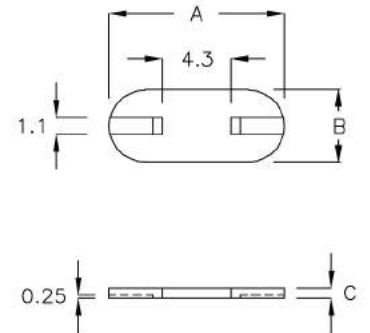
PART NO	A	B	C	D	E	PACKAGE
TQ-03	7.9	3.2	0.7	3.75	0.8	2000
TQ-03A	7.9	3.2	0.7	4.9	0.8	
TQ-06	11.2	5.0	1.0	4.9	1.2	
TQ-06A	11.2	5.0	1.5	4.9	1.2	
TQ-06H	11.2	6.5	1.5	4.75	2.2	

8-2-3



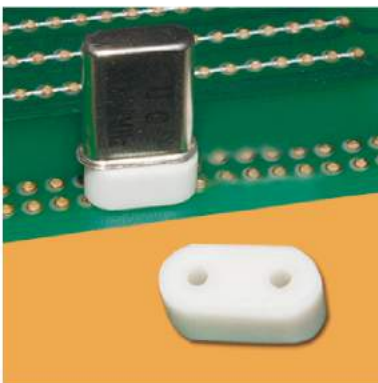
振盪晶體墊片 OSCILLATOR WASHER

MATERIAL: NYLON 66(UL)
FLAME CLASS: 94V-2
COLOR: NATURAL



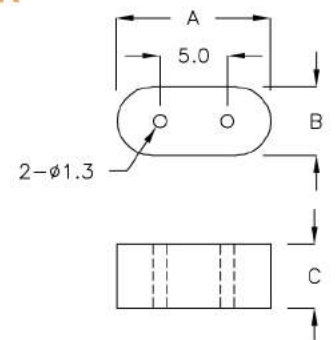
PART NO	A	B	C	PACKAGE
TQ-06F	11.0	4.5	0.7	2000

8-2-4



振盪晶體墊片 OSCILLATOR WASHER

MATERIAL: CERAMICS
COLOR: NATURAL



PART NO	A	B	C	PACKAGE
TQC-05	10.0	5.0	5.1	2000

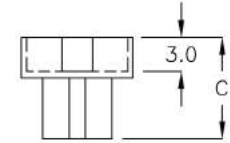
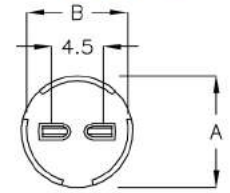
8-3-1



電容器座 E-CAP HOUSING

MATERIAL: NYLON 66(UL)
FLAME CLASS: 94V-2
COLOR: NATURAL

PART NO	A	B	C	PACKAGE
CWX-10BK	ø11.0	ø10.0	10.0	1000



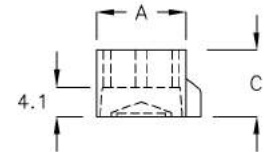
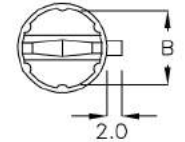
8-3-2



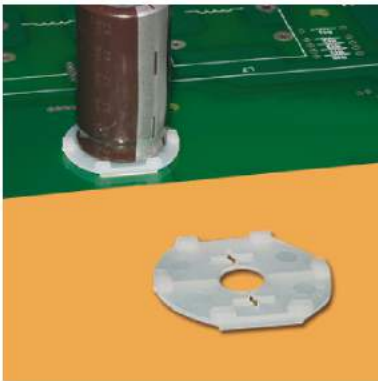
電容器座 E-CAP HOUSING

MATERIAL: PP
COLOR: NATURAL

PART NO	A	B	C	PACKAGE
CW-2	ø12.5	ø10.2	9.2	1000



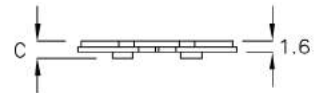
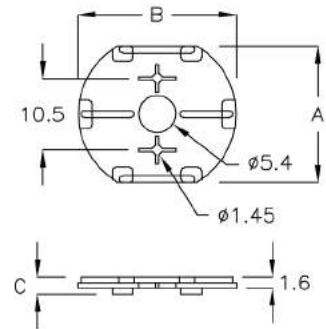
8-3-3



電容器墊片 CAPACITOR WASHER

MATERIAL: NYLON 66(UL)
FLAME CLASS: 94V-2
COLOR: NATURAL

PART NO	A	B	C	PACKAGE
CW-10	20.0	ø23.0	2.6	1000



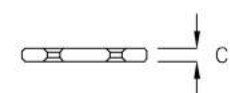
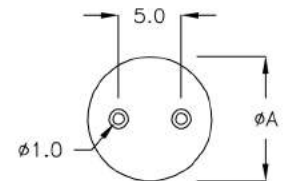
8-3-4



電容器墊片 CAPACITOR WASHER

MATERIAL: NYLON 66(UL)
FLAME CLASS: 94V-2
COLOR: NATURAL

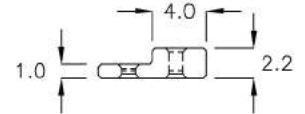
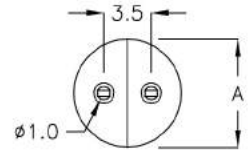
PART NO	A	C	PACKAGE
CW-1CQ	ø10.0	1.0	1000



8-4-1

電容器墊片 CAPACITOR WASHER

MATERIAL: NYLON 66+GF30%(UL)
 FLAME CLASS: 94V-0
 COLOR: BLACK

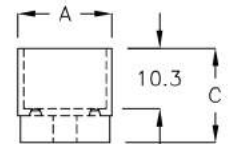
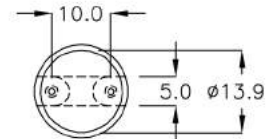


PART NO	A	PACKAGE
CW-2KM	ø8.0	1000

8-4-2

電容器座 E-CAP HOUSING

MATERIAL: NYLON 66(UL)
 FLAME CLASS: 94V-2
 COLOR: NATURAL

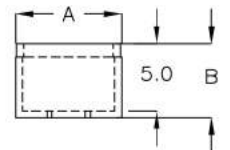
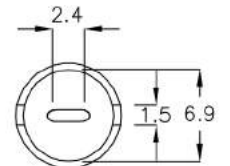


PART NO	A	C	PACKAGE
CW-003	ø16.0	16.0	1000

8-4-3

電容器座 E-CAP HOUSING

MATERIAL: NYLON 66(UL)
 FLAME CLASS: 94V-0
 COLOR: BLACK

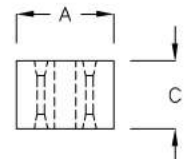
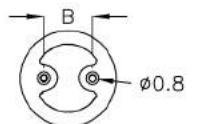


PART NO	A	B	PACKAGE
CWZ-7Q	ø7.9	5.5	2000

8-4-4

電容器座 E-CAP HOUSING

MATERIAL: NYLON 66(UL)
 FLAME CLASS: 94V-2
 COLOR: BLACK



PART NO	A	B	C	PACKAGE
CWM-07	ø10.0	5.0	7.0	1000

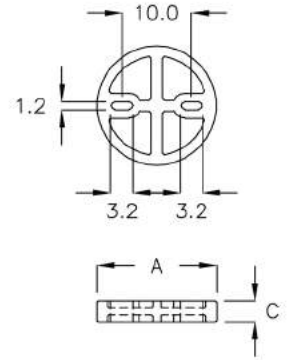
8-5-1



華司 WASHER

MATERIAL: NYLON 66(UL)
FLAME CLASS: 94V-2
COLOR: NATURAL

PART NO	A	C	PACKAGE
WWD-3K	φ17.2	3.0	2000



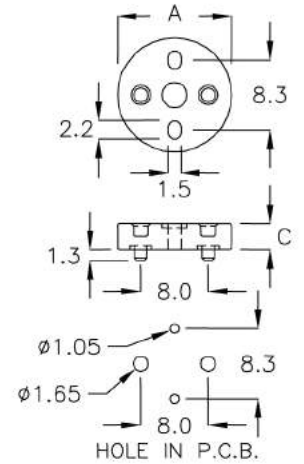
8-5-2



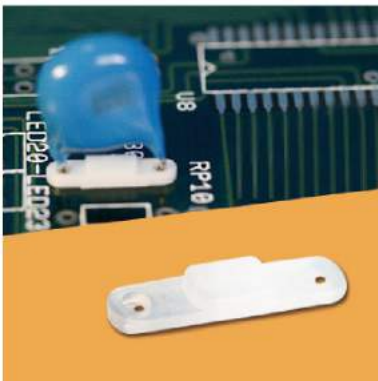
電容器墊片 E-CAP WASHER

MATERIAL: NYLON 66(UL)
FLAME CLASS: 94V-2
COLOR: NATURAL

PART NO	A	C	PACKAGE
CWQ-13M	φ13.5	3.1	1000



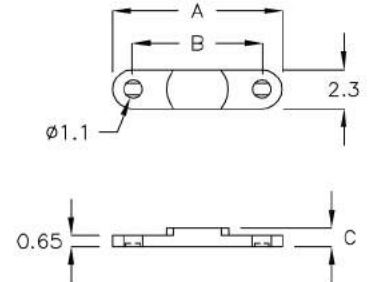
8-5-3



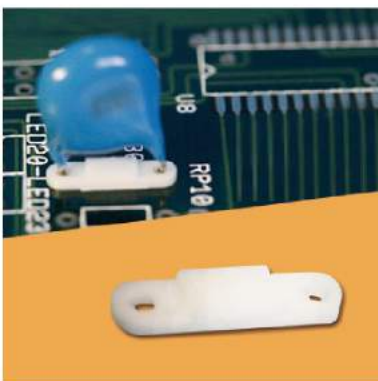
電容器墊片 E-CAP WASHER

MATERIAL: NYLON 66(UL)
FLAME CLASS: 94V-2
COLOR: NATURAL

PART NO	A	B	C	PACKAGE
CWF-7H	9.9	7.5	1.1	2000



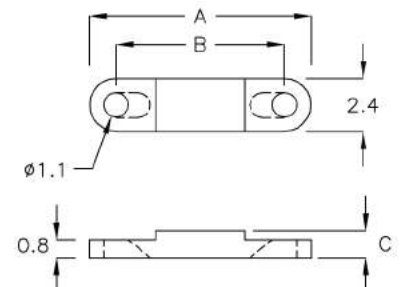
8-5-4



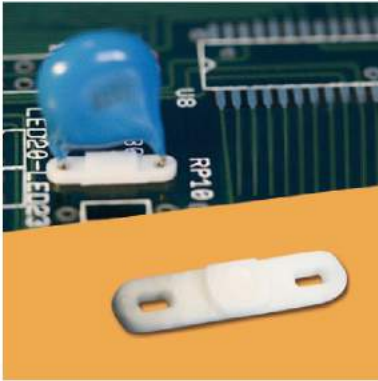
電容器墊片 E-CAP WASHER

MATERIAL: NYLON 66(UL)
FLAME CLASS: 94V-2
COLOR: NATURAL

PART NO	A	B	C	PACKAGE
CWF-7K	10.0	7.6	1.2	2000



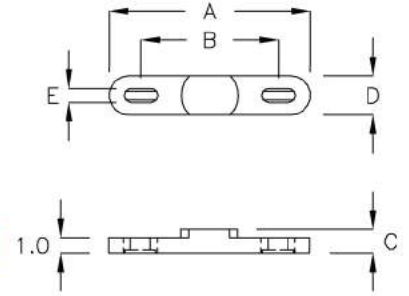
8-6-1



電容器墊片 E-CAP WASHER

MATERIAL: NYLON 66(UL)
FLAME CLASS: 94V-2
COLOR: NATURAL

PART NO	A	B	C	D	E	PACKAGE
CWF-8H	12.8	8.75	1.5	2.5	0.9	2000
★ CWF-14A	14.2	10.0	1.5	3.0	1.5	



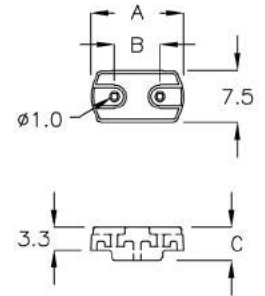
8-6-2



蜂鳴器固定座 BUZZER MOUNT

MATERIAL: NYLON 66+30%FRP(UL)
FLAME CLASS: 94V-0
COLOR: BLACK

PART NO	A	B	C	PACKAGE
MTZ-4A	13.4	6.6	4.8	1000



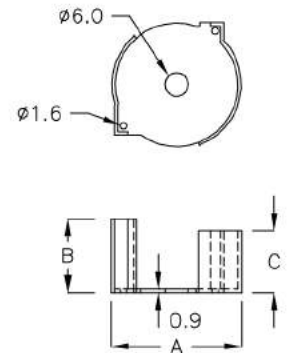
8-6-3



固定座 MOUNT

MATERIAL: NYLON 66(UL)
FLAME CLASS: 94V-2
COLOR: BLACK

PART NO	A	B	C	PACKAGE
QDC-01	33.6	18.9	15.9	100



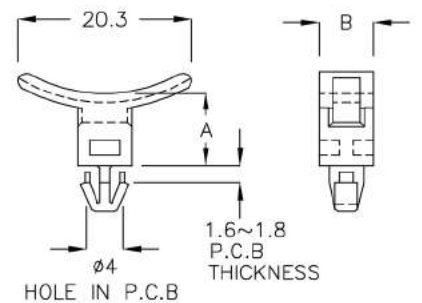
8-6-4



電容器座 E-CAP HOUSING

MATERIAL: NYLON 66(UL)
FLAME CLASS: 94V-2
COLOR: NATURAL

PART NO	A	B	PACKAGE
MMH-08	8.0	6.0	1000

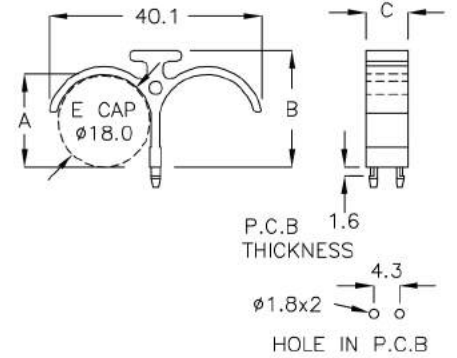


8-7-1



電容器座 E-CAP HOUSING

MATERIAL: NYLON 46(UL)
FLAME CLASS: 94V-0
COLOR: NATURAL



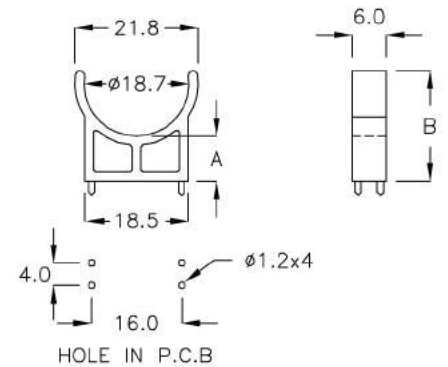
PART NO	A	B	C	PACKAGE
CWB-01	17.8	22.0	8.0	200

8-7-2



電容器座 E-CAP HOUSING

MATERIAL: NYLON 66(UL)
FLAME CLASS: 94V-0
COLOR: NATURAL



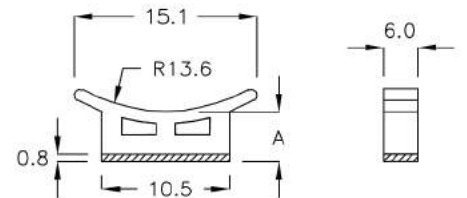
PART NO	A	B	PACKAGE
CWC-08	8.0	19.7	1000

8-7-3



電容器座 E-CAP HOUSING

MATERIAL: NYLON 66(UL)
FLAME CLASS: 94V-0
COLOR: NATURAL
ADHESIVE TAPE: 3M



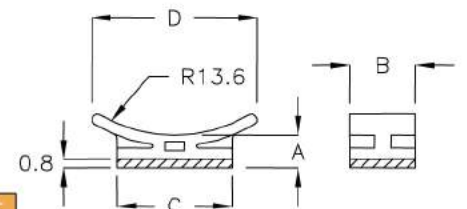
PART NO	A	PACKAGE
CWG-4A	4.3	1000

8-7-4



電容器座 E-CAP HOUSING

MATERIAL: NYLON 66(UL)
FLAME CLASS: 94V-0
COLOR: NATURAL
ADHESIVE TAPE: 3M



PART NO	A	B	C	D	PACKAGE
CWG-03	3.0	6.0	10.5	15.1	1000
CWG-3MF	3.0	5.0	10.0	15.1	
★ CWG-3TG	3.0	6.0	10.5	12.0	

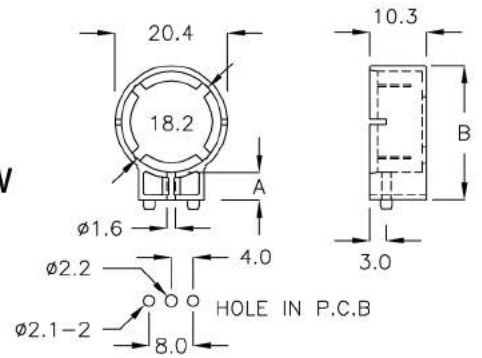
8-8-1



電容器座 E-CAP HOUSING

MATERIAL: NYLON 66(UL)
 FLAME CLASS: 94V-2
 COLOR: NATURAL
 WITH M2x5 TAPPING SCREW

PART NO	A	B	PACKAGE
CWS-01	5.0	24.4	500



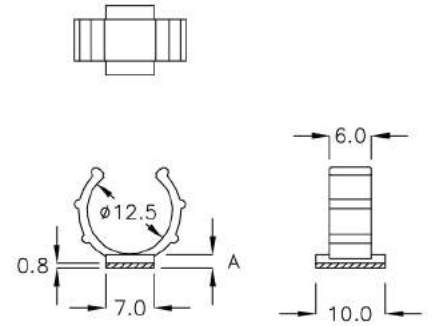
8-8-2



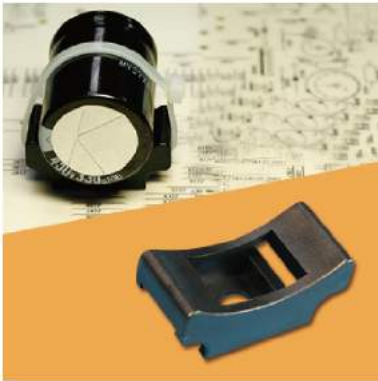
電容器座 E-CAP HOUSING

MATERIAL: NYLON 66(UL)
 FLAME CLASS: 94V-2
 COLOR: NATURAL
 ADHESIVE TAPE: 3M

PART NO	A	PACKAGE
CWH-02	2.0	1000



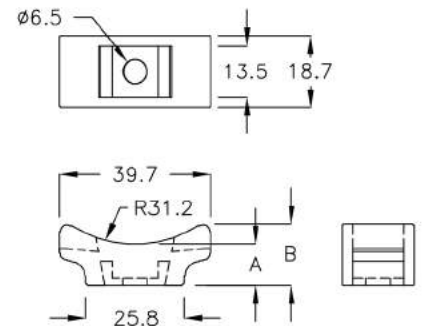
8-8-3



電容器座 E-CAP HOUSING

MATERIAL: NYLON 66(UL)
 FLAME CLASS: 94V-2
 COLOR: BLACK

PART NO	A	B	PACKAGE
MLA-40	10.8	16.0	100



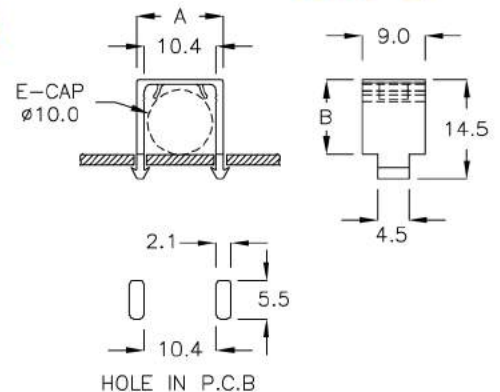
8-8-4



電容器座 E-CAP HOUSING

MATERIAL: NYLON 66(UL)
 FLAME CLASS: 94V-0
 COLOR: NATURAL

PART NO	A	B	PACKAGE
CWD-01	12.7	10.9	1000

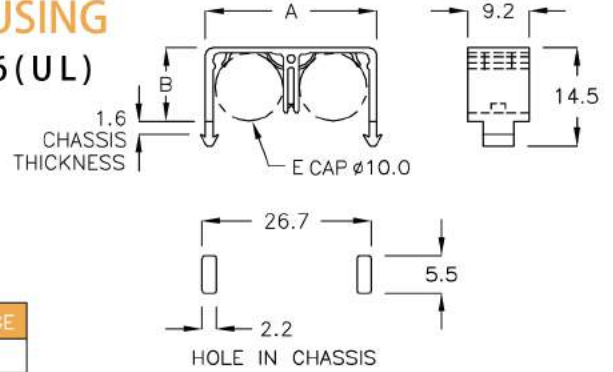


8-9-1



電容器座 E-CAP HOUSING

MATERIAL: NYLON 66(UL)
FLAME CLASS: 94V-0
COLOR: NATURAL



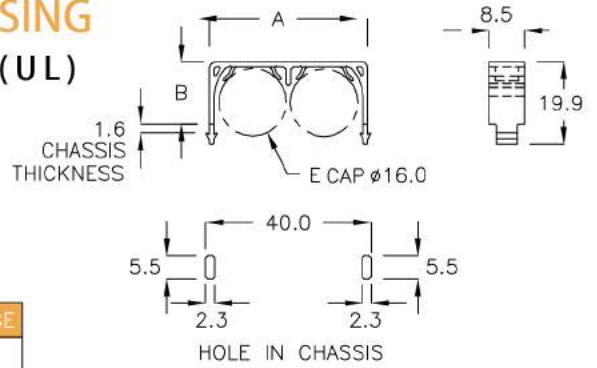
PART NO	A	B	PACKAGE
CWD-02	25.2	10.9	500

8-9-2



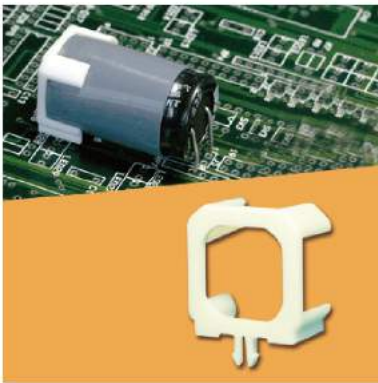
電容器座 E-CAP HOUSING

MATERIAL: NYLON 66(UL)
FLAME CLASS: 94V-2
COLOR: NATURAL



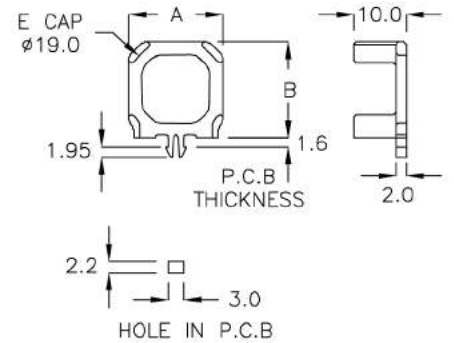
PART NO	A	B	PACKAGE
CWD-16	38.0	15.3	200

8-9-3



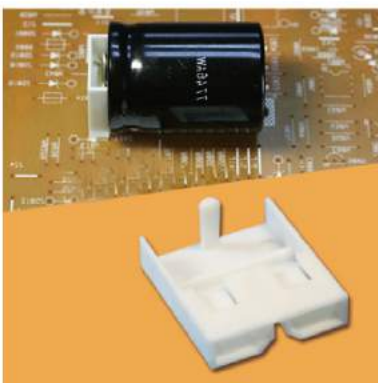
電容器座 E-CAP HOUSING

MATERIAL: NYLON 66(UL)
FLAME CLASS: 94V-2
COLOR: NATURAL



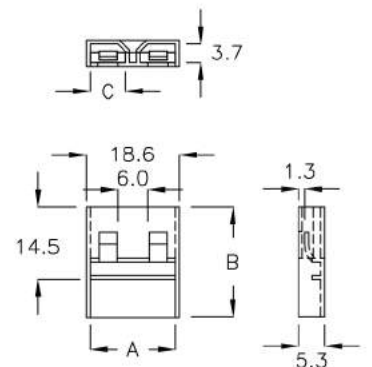
PART NO	A	B	PACKAGE
CWL-19	18.0	18.4	500

8-9-4



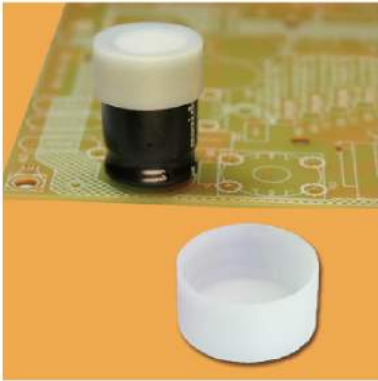
電容器座 E-CAP HOUSING

MATERIAL: NYLON 66(UL)
FLAME CLASS: 94V-0
COLOR: NATURAL



PART NO	A	B	C	PACKAGE
CWJ-01	17.0	22.0	7.0	500

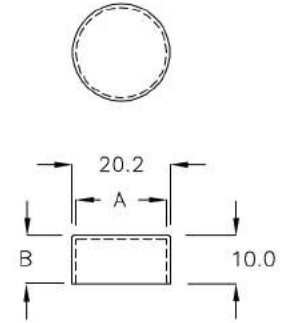
8-10-1



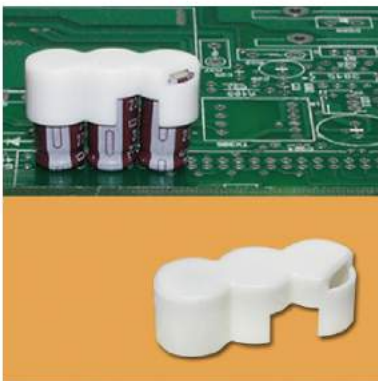
電容器帽套 E-CAP TUBE

MATERIAL: NYLON 66(UL)
FLAME CLASS: 94V-2
COLOR: NATURAL

PART NO	A	B	PACKAGE
CWT-18A	ø18.6	9.2	100



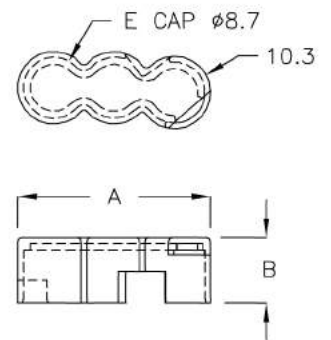
8-10-2



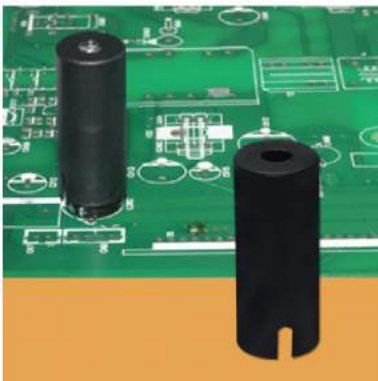
電容器帽套 E-CAP TUBE

MATERIAL: NYLON 66(UL)
FLAME CLASS: 94V-0
COLOR: NATURAL

PART NO	A	B	PACKAGE
DXM-27H	27.45	9.3	500



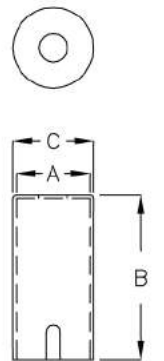
8-10-3



電容器帽套 E-CAP TUBE

MATERIAL: PP
FLAME CLASS: 94V-0
COLOR: BLACK

PART NO	A	B	C	SUITABLE E-CAP	PACKAGE
DXA-31JK	ø10.5	27.5	ø11.5	ø9.5~ø10.2	500
★DXA-50F	ø13.0	50.8	ø14.5	ø12.0~ø12.5	



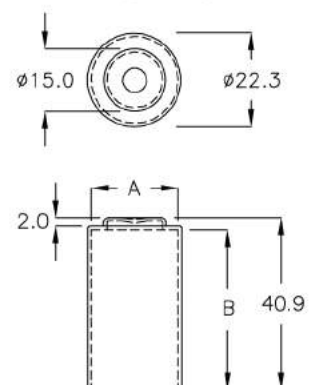
8-10-4



電容器帽套 E-CAP TUBE

MATERIAL: NYLON 66(UL)
FLAME CLASS: 94V-2
COLOR: BLACK

PART NO	A	B	PACKAGE
CWY-50	ø20.5	38.05	100



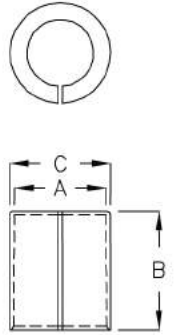
8-11-1



電容器帽套 E-CAP TUBE

MATERIAL: PP
FLAME CLASS: 94V-0
COLOR: BLACK

PART NO	A	B	C	SUITABLE E CAP	PACKAGE
DXA-16RC	∅12.5	16.0	∅13.6	∅11.0~∅12.0	500



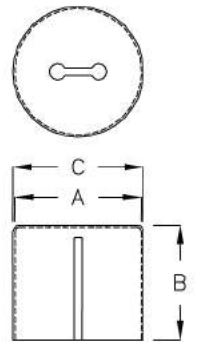
8-11-2



電容器帽套 E-CAP TUBE

MATERIAL: PP
FLAME CLASS: 94V-0
COLOR: BLACK

PART NO	A	B	C	SUITABLE E CAP	PACKAGE
DXP-28CA	∅31.0	28.0	∅32.0	∅29.5~∅30.5	500



8-11-3

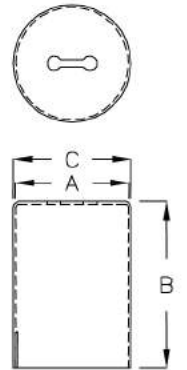


電容器帽套 E-CAP TUBE

MATERIAL: PP
FLAME CLASS: 94V-0
COLOR: BLACK

NEW

PART NO	A	B	C	SUITABLE E CAP	PACKAGE
★DXP-46FM	∅31.5	46.5	∅32.9	∅30.0~∅31.0	500



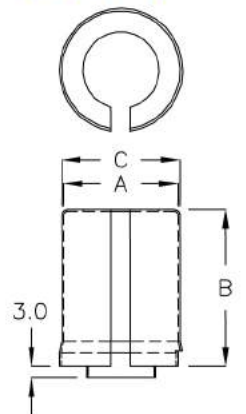
8-11-4



電容器帽套 E-CAP TUBE

MATERIAL: NYLON 66(UL)
FLAME CLASS: 94V-0
COLOR: BLACK

PART NO	A	B	C	SUITABLE E CAP	PACKAGE
DXA-41	∅30.0	41.0	∅31.0	∅29.2~∅31.2	486



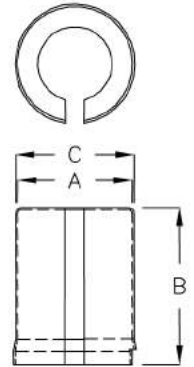
8-12-1



電容器帽套 E-CAP TUBE

MATERIAL: NYLON 66(UL)
FLAME CLASS: 94V-0
COLOR: BLACK

PART NO	A	B	C	SUITABLE E CAP	PACKAGE
DXA-51C	∅30.0	51.0	∅31.0	∅29.7~∅31.7	405



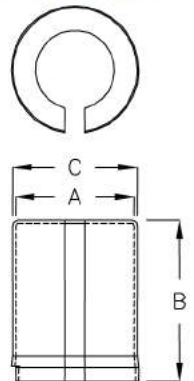
8-12-2



電容器帽套 E-CAP TUBE

MATERIAL: PP
FLAME CLASS: 94V-0
COLOR: BLACK

PART NO	A	B	C	SUITABLE E CAP	PACKAGE
DXA-51FL	∅30.0	51.0	∅31.6	∅29.7~∅31.7	405



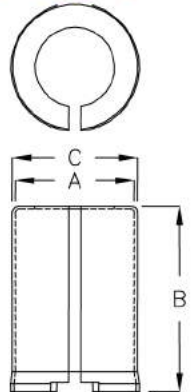
8-12-3



電容器帽套 E-CAP TUBE

MATERIAL: PP
FLAME CLASS: 94V-0
COLOR: BLACK

PART NO	A	B	C	SUITABLE E CAP	PACKAGE
DXA-55KT	∅30.0	55.5	∅31.6	∅29.7~∅31.7	405



8-12-4

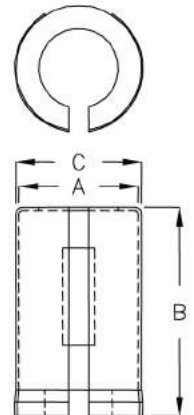


電容器帽套 E-CAP TUBE

MATERIAL: PP
FLAME CLASS: 94V-0
COLOR: BLACK

NEW

PART NO	A	B	C	SUITABLE E CAP	PACKAGE
★ DXA-65BH	∅30.0	65.0	∅31.6	∅29.5~∅31.0	324



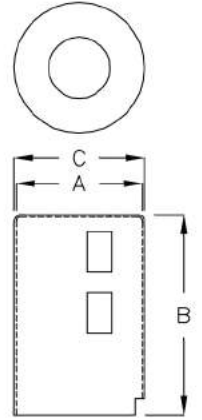
8-13-1



電容器帽套 E-CAP TUBE

MATERIAL: PP
FLAME CLASS: 94V-0
COLOR: BLACK

PART NO	A	B	C	SUITABLE E CAP	PACKAGE
DXS-49K	ø31.0	49.0	ø32.0	ø29.5~ø30.5	500



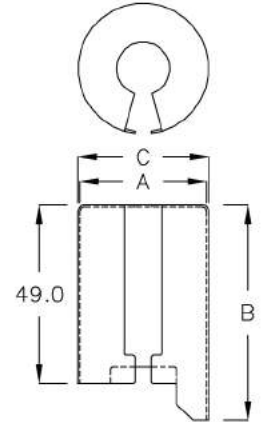
8-13-2



電容器帽套 E-CAP TUBE

MATERIAL: PP
FLAME CLASS: 94V-0
COLOR: BLACK

PART NO	A	B	C	SUITABLE E CAP	PACKAGE
DXC-58AS	ø31.0	58.0	ø32.0	ø29.0~ø31.0	324



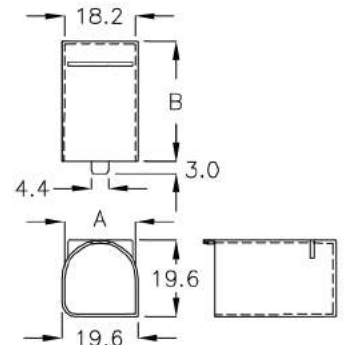
8-13-3



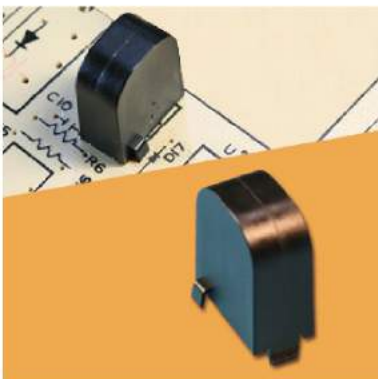
電容器帽套 E-CAP TUBE

MATERIAL: NYLON 66(UL)
FLAME CLASS: 94V-0
COLOR: BLACK

PART NO	A	B	SUITABLE E CAP	PACKAGE
DXH-31M	18.4	31.0	ø17.2~ø18.0	200



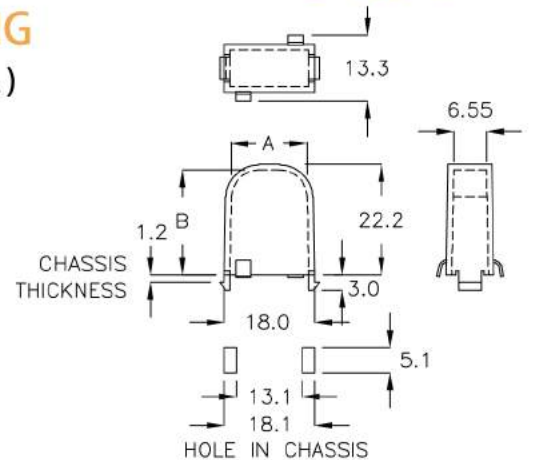
8-13-4



電容器座 E-CAP HOUSING

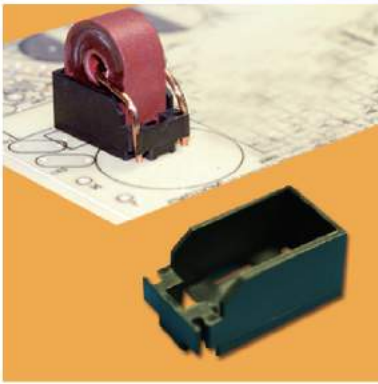
MATERIAL: NYLON 66(UL)
FLAME CLASS: 94V-2
COLOR: BLACK

PART NO	A	B	PACKAGE
CWQ-01	15.25	21.1	500



PINGOOD

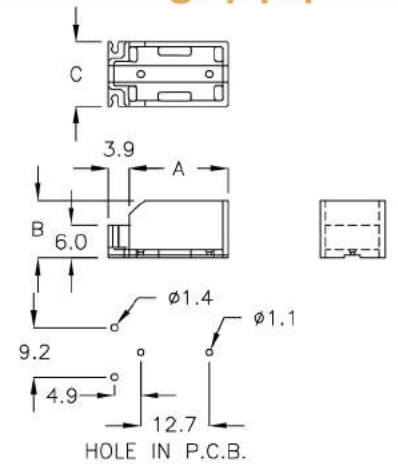
8-14-1



電感固定座 C.T. MOUNT

MATERIAL: NYLON 66(UL)
FLAME CLASS: 94V-0
COLOR: BLACK

PART NO	A	B	C	PACKAGE
CWP-01	18.4	10.65	12.0	500



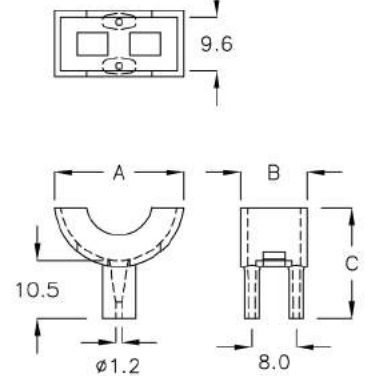
8-14-2



電感固定座 INDUCTOR HOUSING

MATERIAL: PBT(UL)
FLAME CLASS: 94V-0
COLOR: NATURAL

PART NO	A	B	C	PACKAGE
CW-1A	23.3	12.0	20.0	1000



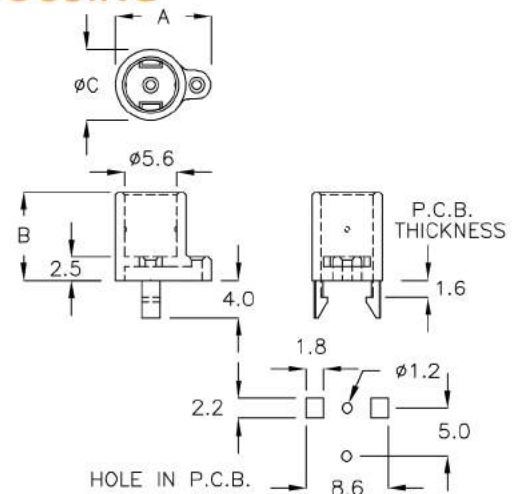
8-14-3



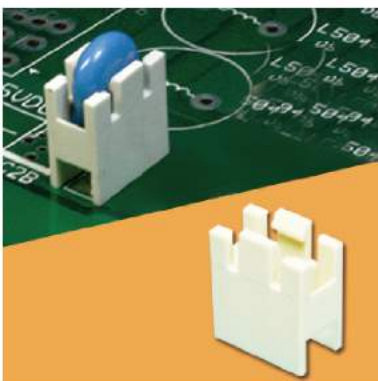
電感固定座 INDUCTOR HOUSING

MATERIAL: NYLON 66(UL)
FLAME CLASS: 94V-0
COLOR: NATURAL

PART NO	A	B	C	PACKAGE
CW-005	10.4	9.5	7.6	2000



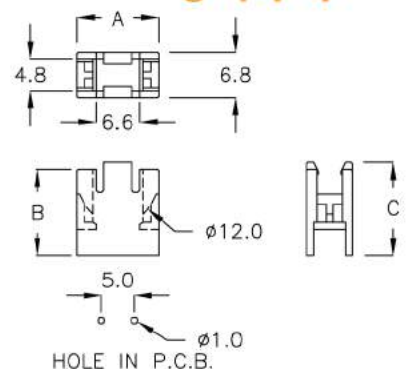
8-14-4



熱敏電阻座 PTC MOUNT

MATERIAL: NYLON 66(UL)
FLAME CLASS: 94V-0
COLOR: NATURAL

PART NO	A	B	C	PACKAGE
PTC-2K	12.3	10.0	11.0	1000
PTC-05	12.3	13.0	14.1	

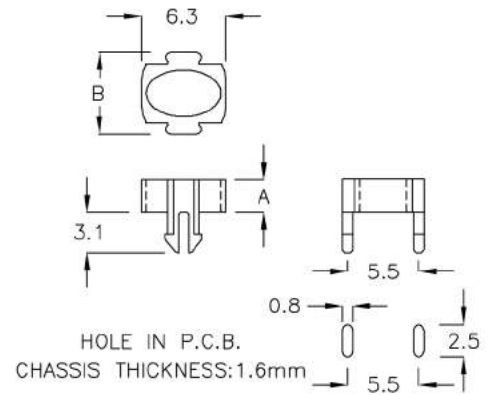


8-15-1

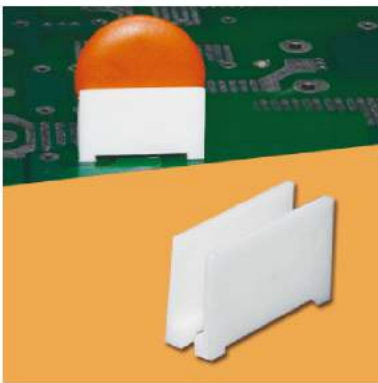


熱敏電阻座 NTC HOLDER
MATERIAL: NYLON 66(UL)
FLAME CLASS: 94V-0
COLOR: BLACK

PART NO	A	B	PACKAGE
HUG-6A	2.5	6.5	2000

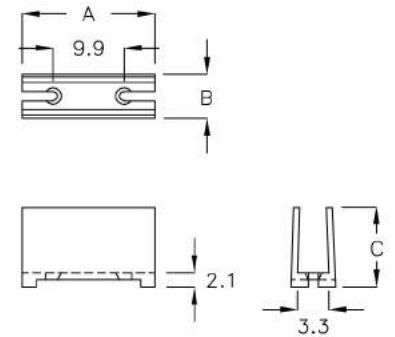


8-15-2



熱敏電阻座 NTC HOLDER
MATERIAL: NYLON 66(UL)
FLAME CLASS: 94V-0
COLOR: NATURAL

PART NO	A	B	C	PACKAGE
HU-1	16.2	5.3	9.9	1000

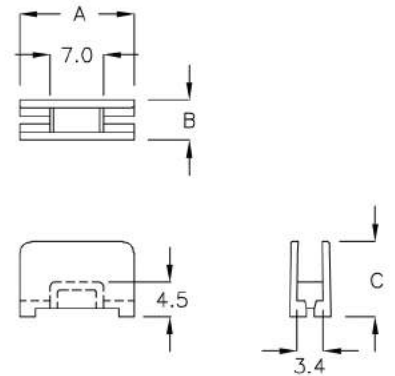


8-15-3



熱敏電阻座 NTC HOLDER
MATERIAL: NYLON 66(UL)
FLAME CLASS: 94V-0
COLOR: NATURAL

PART NO	A	B	C	PACKAGE
HU-1PS	15.0	5.3	9.9	1000

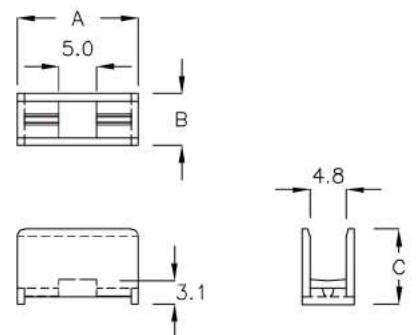


8-15-4



熱敏電阻座 NTC HOLDER
MATERIAL: PPS(UL)
FLAME CLASS: 94V-0
COLOR: BLACK

PART NO	A	B	C	PACKAGE
HU-1C	16.0	6.8	9.9	1000



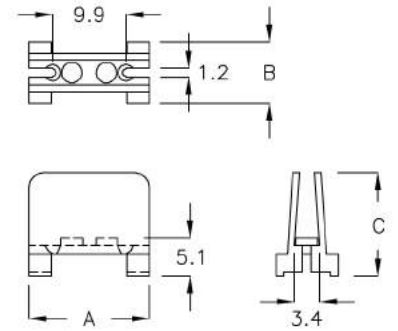
8-16-1



熱敏電阻座 NTC HOLDER

MATERIAL: NYLON 66(UL)
FLAME CLASS: 94V-0
COLOR: NATURAL

PART NO	A	B	C	PACKAGE
HU-1A	16.2	8.3	13.9	500



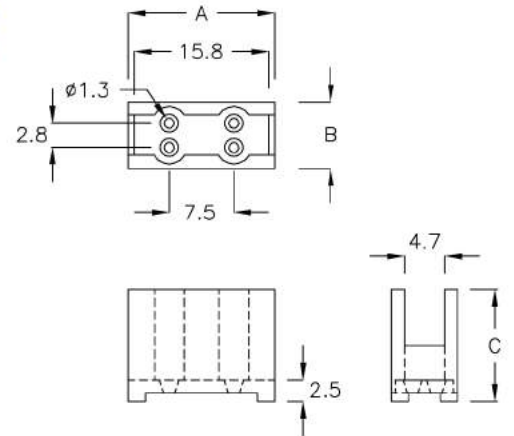
8-16-2



熱敏電阻座 NTC HOLDER

MATERIAL: PBT(UL)
FLAME CLASS: 94V-0
COLOR: NATURAL

PART NO	A	B	C	PACKAGE
HU-3	17.2	7.7	13.1	500



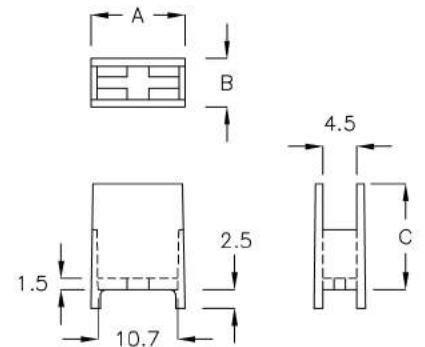
8-16-3



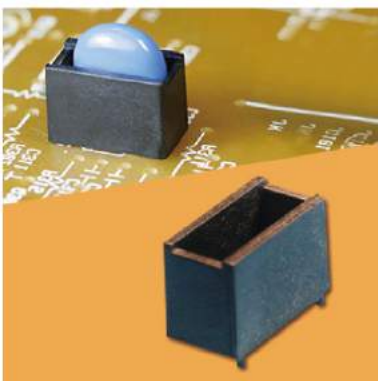
熱敏電阻座 NTC HOLDER

MATERIAL: PPS(UL)
FLAME CLASS: 94V-0
COLOR: BLACK

PART NO	A	B	C	PACKAGE
HU-4	12.6	6.8	14.1	500



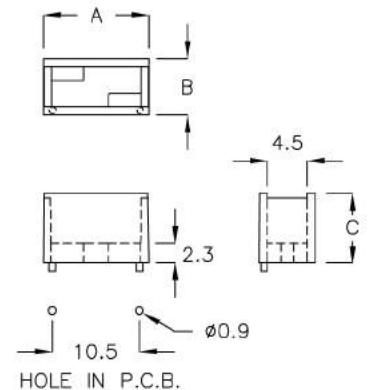
8-16-4



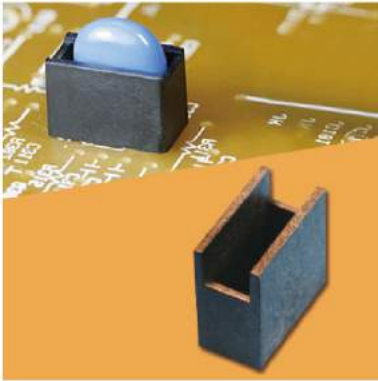
熱敏電阻座 NTC HOLDER

MATERIAL: PPS(UL)
FLAME CLASS: 94V-0
COLOR: BLACK

PART NO	A	B	C	PACKAGE
HU-4A	12.7	6.8	8.5	500



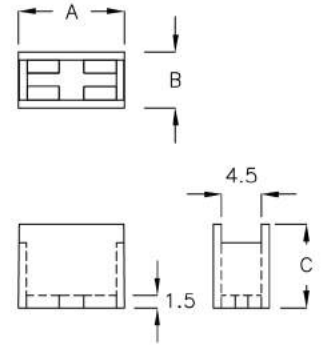
8-17-1



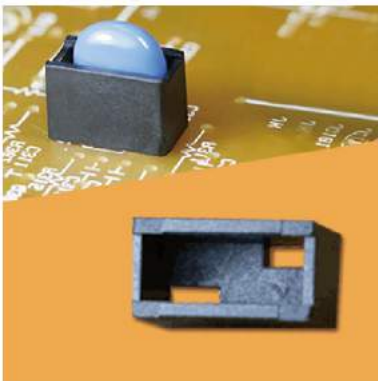
熱敏電阻座 NTC HOLDER

MATERIAL: PPS(UL)
FLAME CLASS: 94V-0
COLOR: BLACK

PART NO	A	B	C	PACKAGE
HU-4C	12.7	6.8	12.0	500



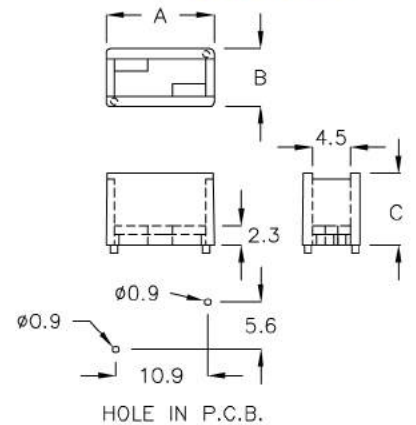
8-17-2



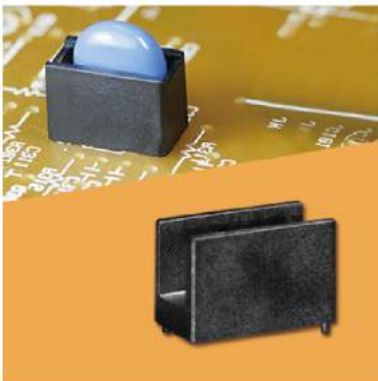
熱敏電阻座 NTC HOLDER

MATERIAL: PPS(UL)
FLAME CLASS: 94V-0
COLOR: BLACK

PART NO	A	B	C	PACKAGE
HU-4TX	12.7	6.8	8.5	500



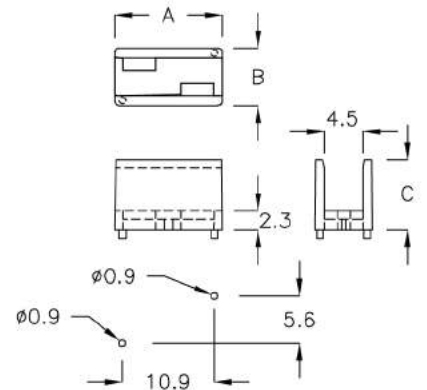
8-17-3



熱敏電阻座 NTC HOLDER

MATERIAL: PPS(UL)
FLAME CLASS: 94V-0
COLOR: BLACK

PART NO	A	B	C	PACKAGE
HUX-4K	12.7	6.8	8.4	500



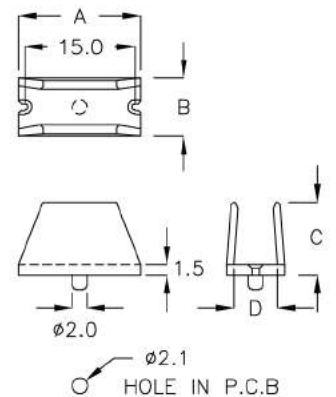
8-17-4



電容器座 CAPACITOR HOUSING

MATERIAL: NYLON 66(UL)
FLAME CLASS: 94V-0
COLOR: NATURAL

PART NO	A	B	C	D	PACKAGE
CWA-4A	16.7	7.9	10.0	6.5	200
CWA-4C	16.7	7.2	10.0	5.2	
CWA-4KH	16.7	7.9	10.0	5.9	



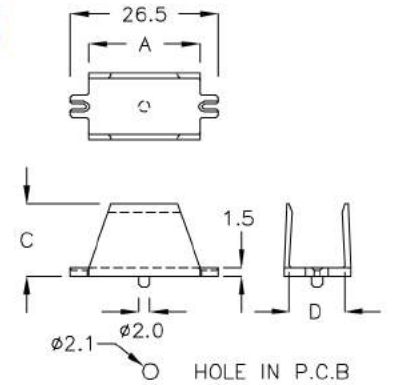
8-18-1



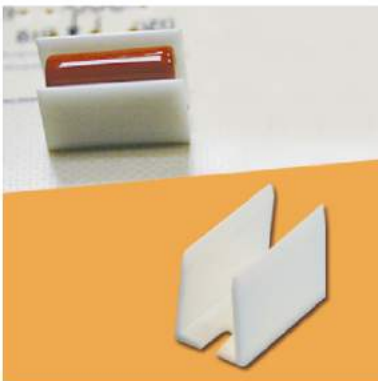
電容器座 CAPACITOR HOUSING

MATERIAL: NYLON 66(UL)
FLAME CLASS: 94V-0
COLOR: NATURAL

PART NO	A	C	D	PACKAGE
CWA-10	20.0	13.0	10.0	100



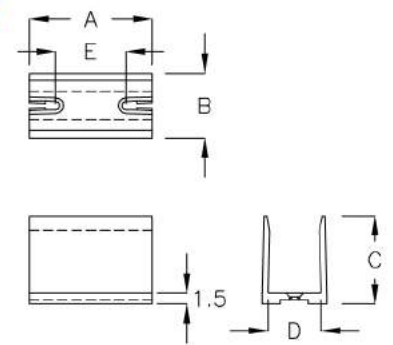
8-18-2



電容器座 CAPACITOR HOUSING

MATERIAL: NYLON 66(UL)
FLAME CLASS: 94V-0
COLOR: NATURAL

PART NO	A	B	C	D	E	PACKAGE
CWR-2C	17.5	9.2	12.5	7.6	10.0	200
CWR-26SK	26.3	11.7	10.0	10.2	21.7	



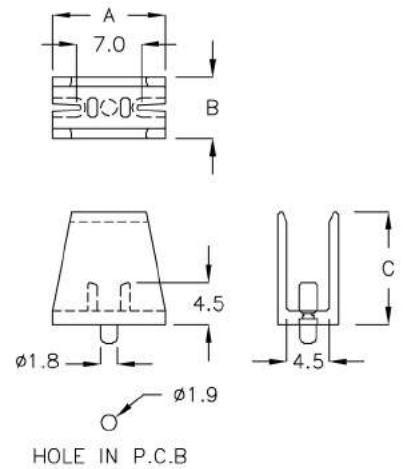
8-18-3



熱敏電阻座 NTC HOLDER

MATERIAL: NYLON 66(UL)
FLAME CLASS: 94V-0
COLOR: NATURAL

PART NO	A	B	C	PACKAGE
CWA-4F	12.0	6.5	12.0	200



8-18-4

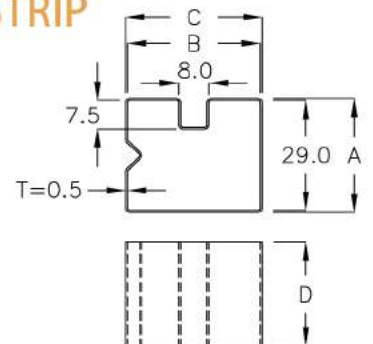


電容絕緣片 E-CAP INSULATING STRIP

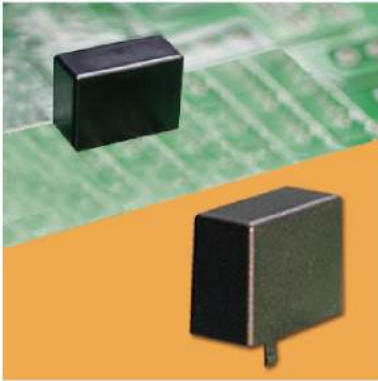
MATERIAL: PP
FLAME CLASS: 94V-0
COLOR: BLACK

NEW

PART NO	A	B	C	D	PACKAGE
★ CWU-36	30.0	35.0	36.0	27.5	200



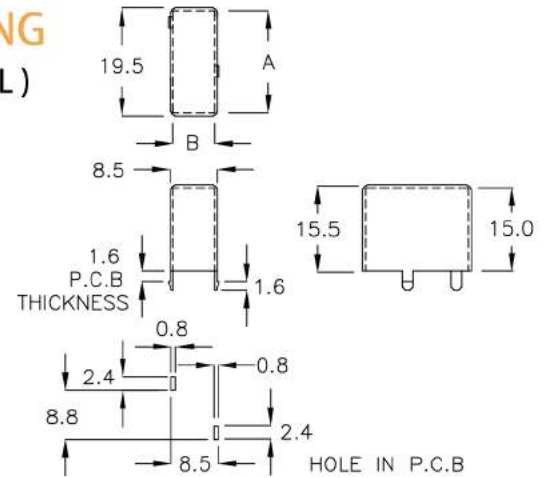
8-19-1



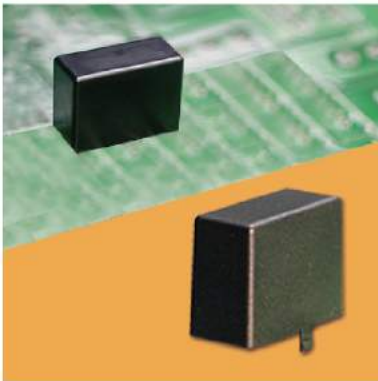
電容器座 E-CAP HOUSING

MATERIAL: NYLON 66(UL)
FLAME CLASS: 94V-0
COLOR: BLACK

PART NO	A	B	PACKAGE
CWW-19H	18.5	7.5	500



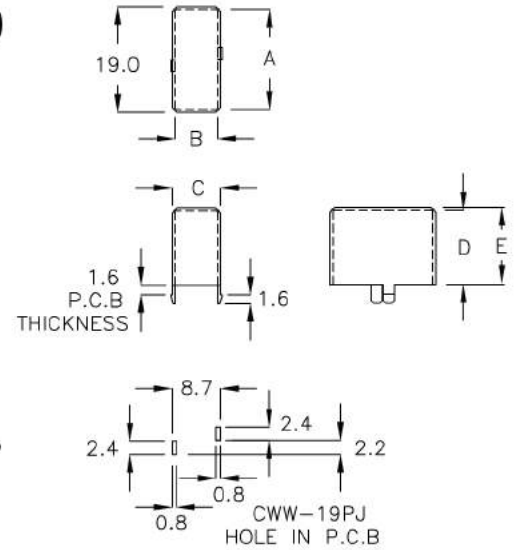
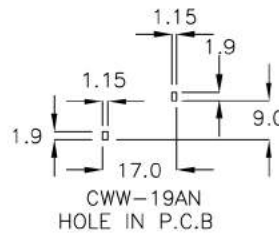
8-19-2



電容器座 E-CAP HOUSING

MATERIAL: NYLON 66(UL)
FLAME CLASS: 94V-0
COLOR: BLACK

PART NO	A	B	C	D	E	PACKAGE
CWW-19AN	18.0	16.0	17.0	16.0	16.5	500
CWW-19PJ	18.0	7.7	8.7	13.3	13.8	



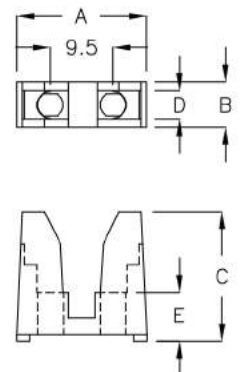
8-19-3



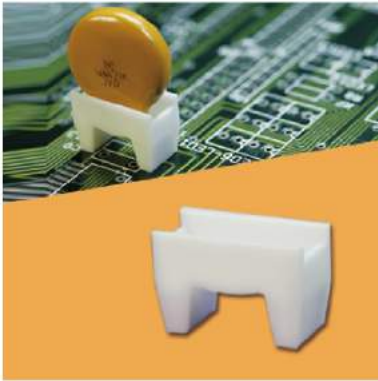
熱敏電阻座 NTC HOLDER

MATERIAL: PBT(UL)
FLAME CLASS: 94V-0
COLOR: NATURAL

PART NO	A	B	C	D	E	PACKAGE
HU-5	20.0	7.4	20.0	4.6	7.5	500
HU-008	20.0	9.4	16.0	6.5	7.9	



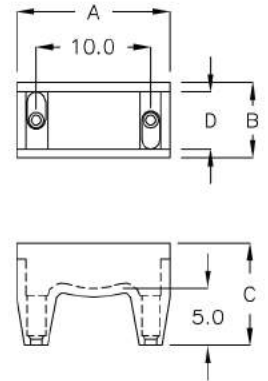
8-20-1



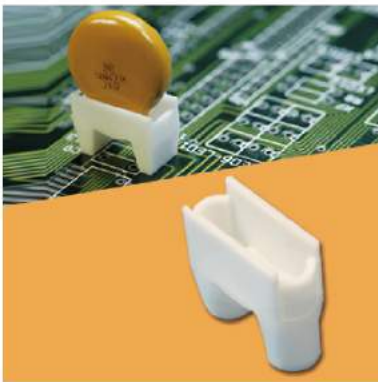
熱敏電阻座 NTC HOLDER

MATERIAL: NYLON 66(UL)
FLAME CLASS: 94V-0
COLOR: NATURAL

PART NO	A	B	C	D	PACKAGE
HU-05A	13.4	6.6	9.0	5.0	500



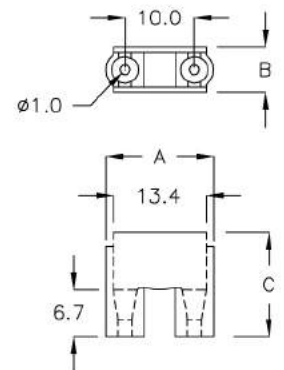
8-20-2



Y電容座 Y CAPACITOR HOLDER

MATERIAL: NYLON 66(UL)
FLAME CLASS: 94V-0
COLOR: NATURAL

PART NO	A	B	C	PACKAGE
HU-05D	15.6	6.6	15.0	500



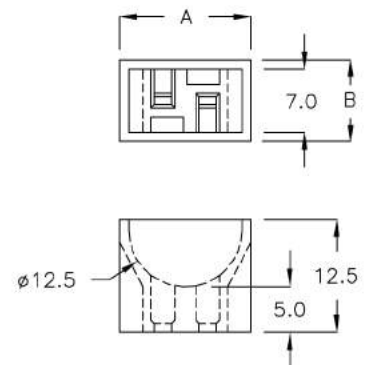
8-20-3



熱敏電阻座 NTC HOLDER

MATERIAL: PBT(UL)
FLAME CLASS: 94V-0
COLOR: NATURAL

PART NO	A	B	PACKAGE
HU-15	14.5	9.0	500



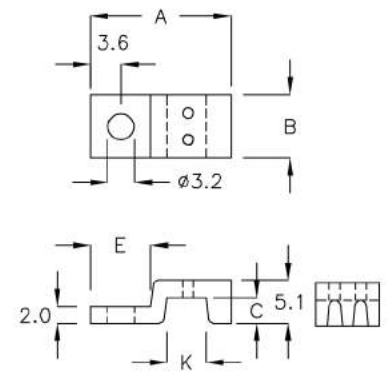
8-20-4



熱敏電阻座 NTC HOLDER

MATERIAL: PBT(UL)
FLAME CLASS: 94V-0
COLOR: NATURAL

PART NO	A	B	C	E	K	PACKAGE
HU-7	16.6	7.5	3.0	7.1	4.6	1000
HU-7FG	16.6	7.5	3.0	7.0	6.1	
HU-07H	16.6	7.5	2.6	7.1	6.1	
HU-07L	16.6	7.5	3.5	7.1	5.9	



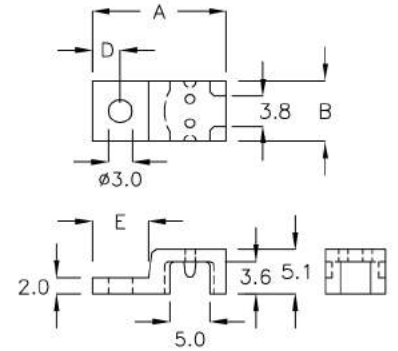
8-21-1



熱敏電阻座 NTC HOLDER

MATERIAL: PBT(UL)
FLAME CLASS: 94V-0
COLOR: NATURAL

PART NO	A	B	D	E	PACKAGE
HU-07A	16.7	7.5	3.5	7.0	1000
HU-07K	19.5	7.5	3.3	9.8	
HU-07P	19.5	7.5	3.5	10.0	



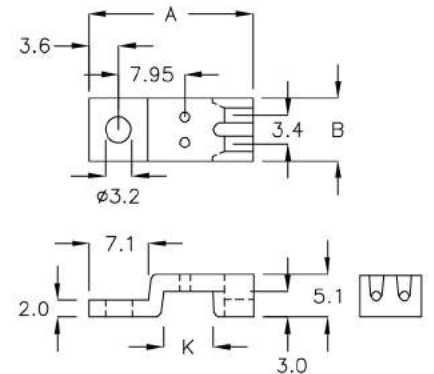
8-21-2



熱敏電阻座 NTC HOLDER

MATERIAL: PBT(UL)
FLAME CLASS: 94V-0
COLOR: NATURAL

PART NO	A	B	K	PACKAGE
HU-07C	19.8	7.5	5.9	1000
HU-07J	20.8	7.5	6.9	
HU-07Q	19.8	7.5	7.4	



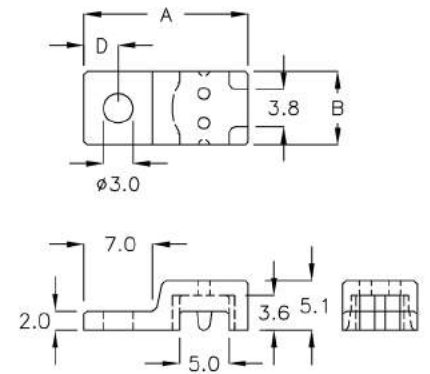
8-21-3



熱敏電阻座 NTC HOLDER

MATERIAL: PBT(UL)
FLAME CLASS: 94V-0
COLOR: NATURAL

PART NO	A	B	D	PACKAGE
HU-7AC	16.7	7.5	3.5	1000



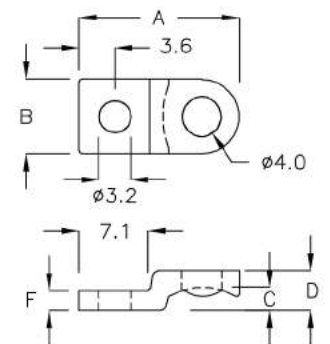
8-21-4



熱敏電阻座 NTC HOLDER

MATERIAL: PBT(UL)
FLAME CLASS: 94V-0
COLOR: NATURAL

PART NO	A	B	C	D	F	PACKAGE
HU-07F	16.0	7.5	2.2	4.1	2.0	1000
HU-7PK	16.0	7.5	2.2	4.15	2.15	

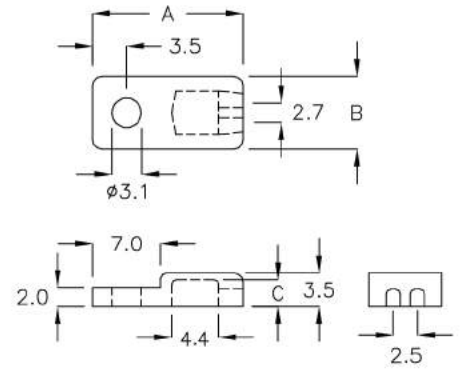




熱敏電阻座 NTC HOLDER

MATERIAL: PBT(UL)
FLAME CLASS: 94V-0
COLOR: NATURAL

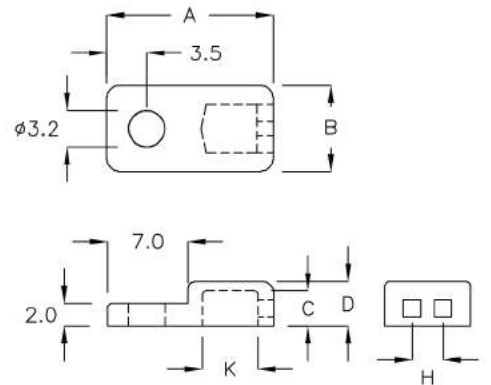
PART NO	A	B	C	PACKAGE
HU-07M	15.5	7.5	2.8	1000



熱敏電阻座 NTC HOLDER

MATERIAL: PBT(UL)
FLAME CLASS: 94V-0
COLOR: NATURAL

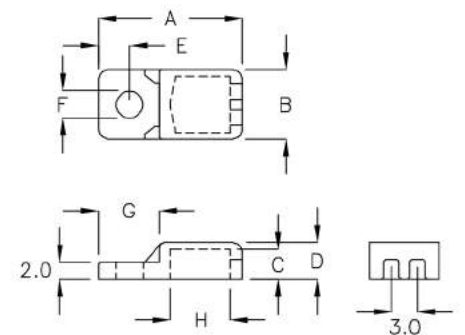
PART NO	A	B	C	D	K	H	PACKAGE
HU-07W	14.5	7.5	3.1	3.9	4.85	2.7	1000
HU-7AW	14.5	7.5	2.7	3.5	4.85	2.7	
HU-7WC	16.5	8.0	3.5	4.3	6.9	2.7	
HU-7WD	15.5	7.5	3.1	3.9	4.85	2.7	
HU-7QN	16.5	8.0	3.5	4.3	6.9	3.5	



熱敏電阻座 NTC HOLDER

MATERIAL: PBT(UL)
FLAME CLASS: 94V-0
COLOR: NATURAL

PART NO	A	B	C	D	E	F	G	H	PACKAGE
HU-7WF	16.55	8.0	3.5	4.3	3.6	3.2	7.0	6.9	1000
HU-8DM	16.7	7.5	3.0	4.0	3.5	3.0	8.0	5.7	



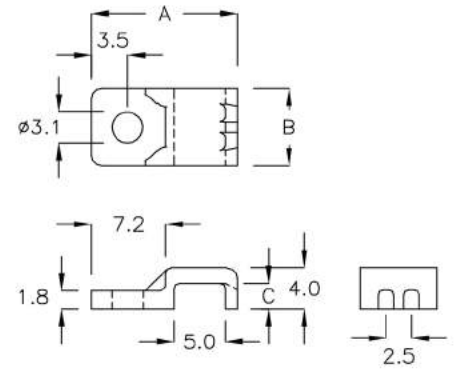
8-23-1



熱敏電阻座 NTC HOLDER

MATERIAL: PBT(UL)
FLAME CLASS: 94V-0
COLOR: NATURAL

PART NO	A	B	C	PACKAGE
HU-7LA	14.2	7.5	2.5	1000



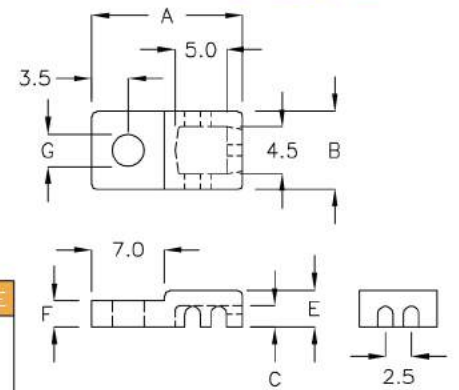
8-23-2



熱敏電阻座 NTC HOLDER

MATERIAL: PBT(UL)
FLAME CLASS: 94V-0
COLOR: NATURAL

PART NO	A	B	C	E	F	G	PACKAGE
HU-7MA	14.5	7.5	2.0	3.5	2.5	3.2	1000
HU-7MK	14.5	7.5	2.8	3.5	2.5	3.1	
HU-7RH	14.5	7.5	1.8	3.3	2.3	3.2	



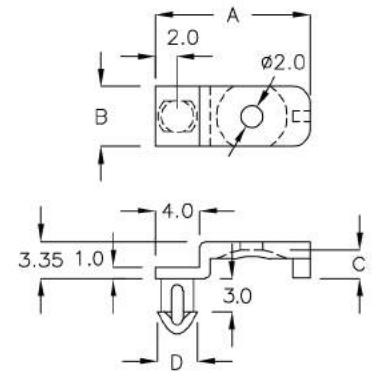
8-23-3



熱敏電阻座 NTC HOLDER

MATERIAL: NYLON 66(UL)
FLAME CLASS: 94V-0
COLOR: NATURAL

PART NO	A	B	C	D	PACKAGE
HU-07U	14.0	5.4	2.55	3.6	1000



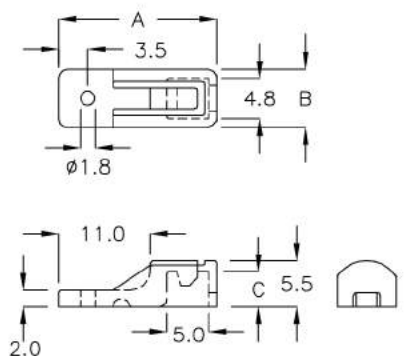
8-23-4



熱敏電阻座 NTC HOLDER

MATERIAL: NYLON 66(UL)
FLAME CLASS: 94V-0
COLOR: NATURAL

PART NO	A	B	C	PACKAGE
HUH-19	19.0	7.0	4.2	500



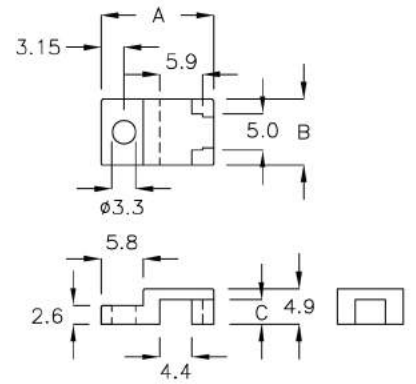
8-24-1



熱敏電阻座 NTC HOLDER

MATERIAL: PBT(UL)
FLAME CLASS: 94V-0
COLOR: NATURAL

PART NO	A	B	C	PACKAGE
HU-09	15.5	9.0	3.4	1000



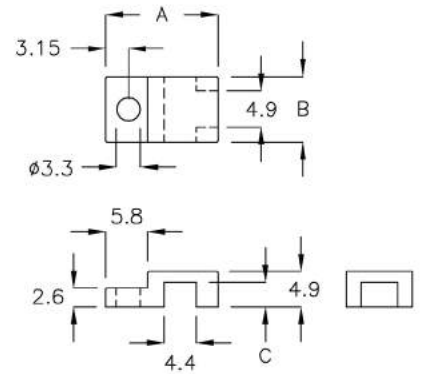
8-24-2



熱敏電阻座 NTC HOLDER

MATERIAL: PBT(UL)
FLAME CLASS: 94V-0
COLOR: NATURAL

PART NO	A	B	C	PACKAGE
HU-09A	15.5	9.0	3.4	1000



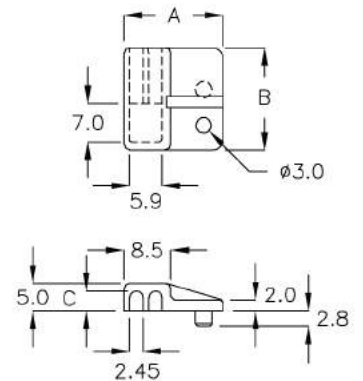
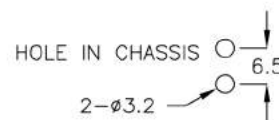
8-24-3



熱敏電阻座 NTC HOLDER

MATERIAL: NYLON 66(UL)
FLAME CLASS: 94V-0
COLOR: NATURAL

PART NO	A	B	C	PACKAGE
HU-09D	18.0	18.6	3.6	1000



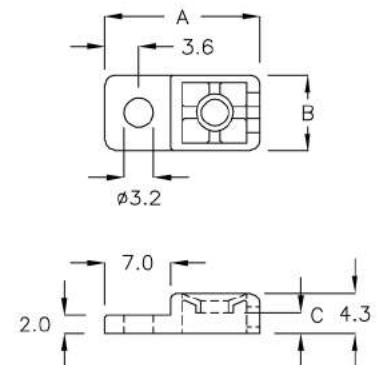
8-24-4



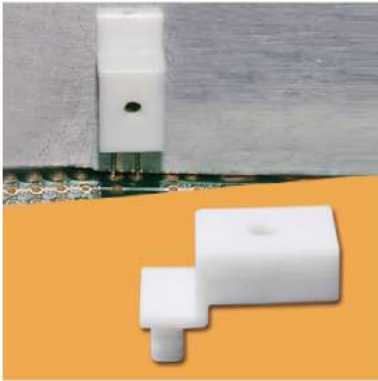
熱敏電阻座 NTC HOLDER

MATERIAL: PBT(UL)
FLAME CLASS: 94V-0
COLOR: NATURAL

PART NO	A	B	C	PACKAGE
HUD-01	16.55	8.0	2.3	1000

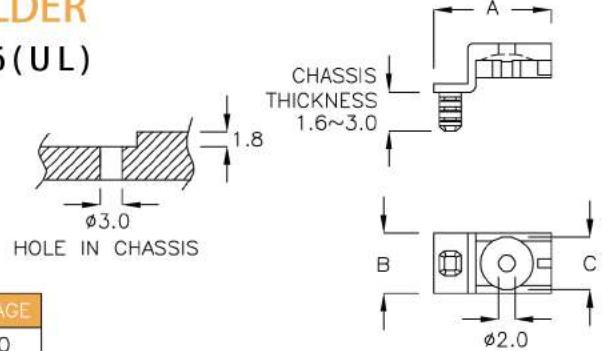


8-25-1



熱敏電阻座 NTC HOLDER

MATERIAL: NYLON 66(UL)
FLAME CLASS: 94V-0
COLOR: NATURAL



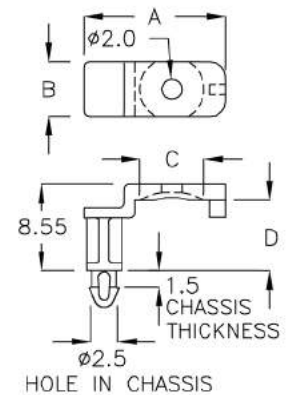
PART NO	A	B	C	PACKAGE
HUA-04	14.0	7.2	6.2	1000

8-25-2



熱敏電阻座 NTC HOLDER

MATERIAL: NYLON 66(UL)
FLAME CLASS: 94V-0
COLOR: NATURAL



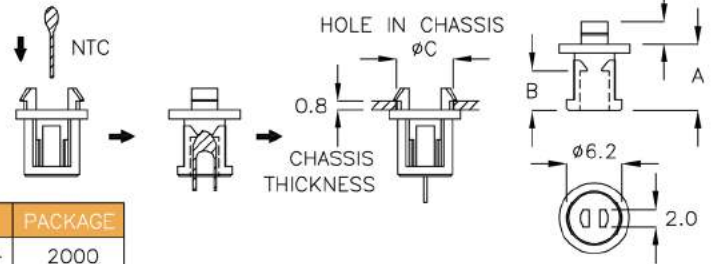
PART NO	A	B	C	D	PACKAGE
HU-7FT	14.0	5.4	6.35	7.0	1000

8-25-3



熱敏電阻座 NTC HOLDER

MATERIAL: NYLON 66(UL)
FLAME CLASS: 94V-0
COLOR: BLACK



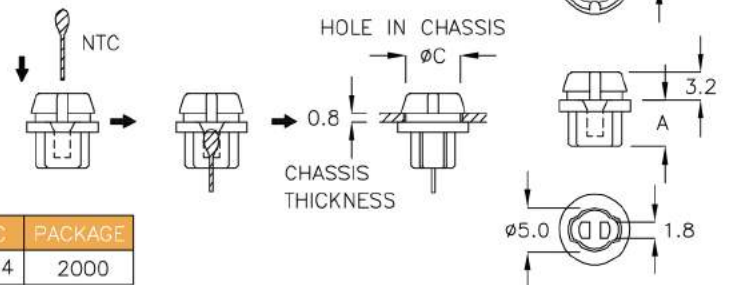
PART NO	A	B	C	PACKAGE
HUC-01	7.5	4.5	6.4	2000

8-25-4



熱敏電阻座 NTC HOLDER

MATERIAL: TPR(UL)
FLAME CLASS: 94V-0
COLOR: BLACK



PART NO	A	B	C	PACKAGE
HUC-02	5.2	1.8	6.4	2000

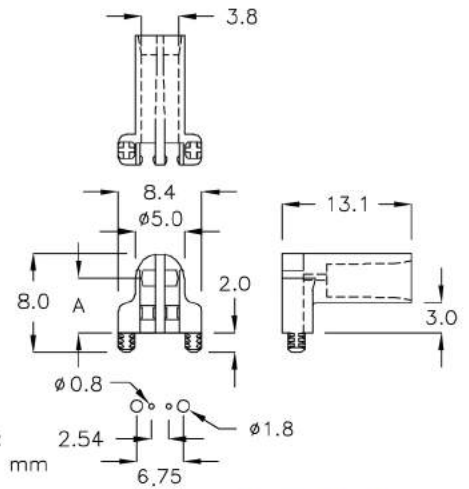
8-26-1



熱敏電阻座 NTC HOLDER
MATERIAL: NYLON 66(UL)
FLAME CLASS: 94V-0
COLOR: BLACK

PART NO	A	PACKAGE
HUP-05	5.5	500

HOLE IN CHASSIS:
 CHASSIS THICKNESS:>1.0 mm

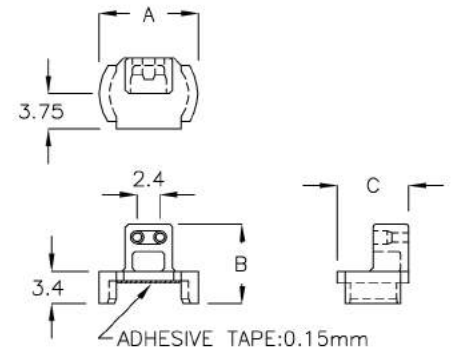


8-26-2



熱敏電阻座 NTC HOLDER
MATERIAL: NYLON 66(UL)
FLAME CLASS: 94V-0
COLOR: NATURAL

PART NO	A	B	C	PACKAGE
DXW-8A	10.5	8.4	7.5	1000

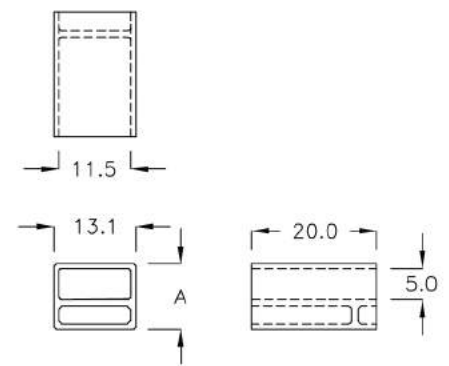


8-26-3



熱敏電阻座 NTC HOLDER
MATERIAL: PPS(UL)
FLAME CLASS: 94V-0
COLOR: BLACK

PART NO	A	PACKAGE
HUM-20K	10.6	500

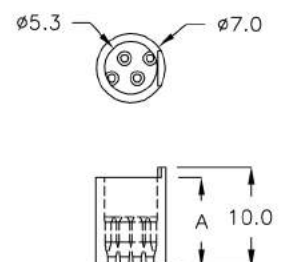


8-26-4



光感應器座 LIGHT SENSOR HOLDER
MATERIAL: NYLON 66(UL)
FLAME CLASS: 94V-2
COLOR: NATURAL

PART NO	A	PACKAGE
MTU-09	9.0	1000

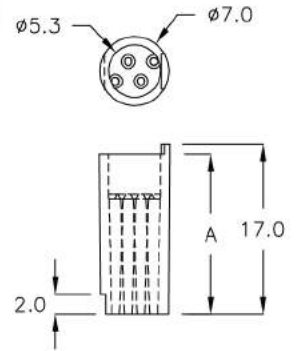


8-27-1



光感應器座 LIGHT SENSOR HOLDER

MATERIAL: NYLON 66(UL)
FLAME CLASS: 94V-2
COLOR: NATURAL



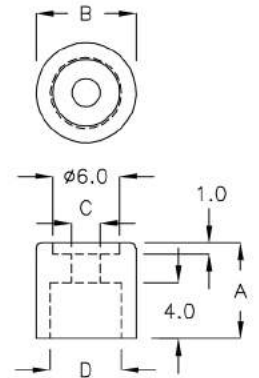
PART NO	A	PACKAGE
MTU-16D	16.0	500

8-27-2



華司 WASHER

MATERIAL: NYLON 66(UL)
FLAME CLASS: 94V-2
COLOR: NATURAL



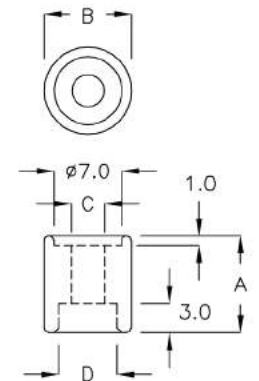
PART NO	A	B	C	D	PACKAGE
U-6A	6.5	ø9.0	ø2.6	ø6.4	2000

8-27-3



華司 WASHER

MATERIAL: NYLON 66(UL)
FLAME CLASS: 94V-2
COLOR: NATURAL



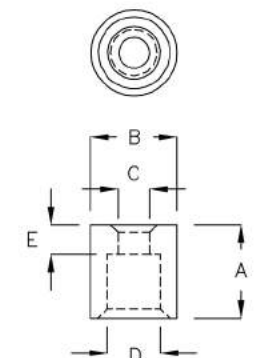
PART NO	A	B	C	D	PACKAGE
U-10A	10.0	ø9.0	ø3.4	ø6.0	1000

8-27-4



華司 WASHER

MATERIAL: NYLON 66(UL)
FLAME CLASS: 94V-2
COLOR: NATURAL



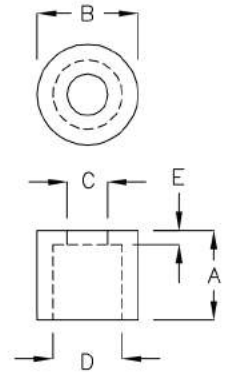
PART NO	A	B	C	D	E	PACKAGE
UWA-01	9.9	ø9.2	ø3.3	ø5.6	3.1	1000

8-28-1



華司 WASHER

MATERIAL: NYLON 66(UL)
FLAME CLASS: 94V-2
COLOR: NATURAL



PART NO	A	φB	φC	φD	E	PACKAGE
U-2DK	2.5	7.0	3.8	5.0	1.0	2000
U-3	3.2	6.0	3.1	4.4	0.7	
U-3A	3.2	6.0	3.0	5.0	1.2	
U-3C	3.0	5.0	2.2	4.0	0.5	
U-3S	3.3	5.0	2.2	4.1	1.3	
U-4	4.2	6.0	2.2	4.3	1.3	
U-04D	4.8	10.5	6.2	9.4	0.5	
U-4FR	4.5	8.5	4.5	7.0	1.0	
U-4HK	4.5	9.1	5.5	6.8	2.7	
U-4S	4.3	5.0	2.2	4.2	1.2	
U-4WP	4.25	8.0	5.2	7.1	2.25	
U-5	4.6	8.0	4.0	6.5	1.6	
U-5C	5.6	8.0	4.0	6.5	1.6	
U-5H	5.0	9.0	5.3	8.0	0.5	

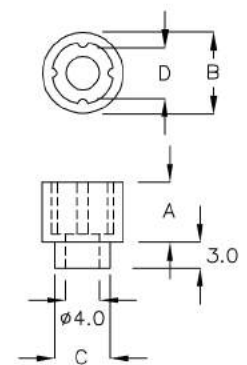
PART NO	A	φB	φC	φD	E	PACKAGE
U-5T	5.0	9.5	6.0	8.5	0.5	2000
U-05D	5.7	8.0	3.5	6.1	0.5	
U-6	6.5	8.0	3.5	6.1	0.85	
U-06C	6.0	10.5	6.5	9.5	0.5	1000
U-06D	6.5	10.4	6.9	9.4	0.5	
U-7	7.7	11.0	3.2	6.7	2.1	2000
U-7A	3.5	8.0	3.5	5.7	1.2	1000
U-07C	7.0	10.0	3.5	7.5	2.0	
U-8	7.7	11.0	4.0	7.1	1.6	
U-8A	7.5	12.4	8.2	11.4	0.5	
U-8S	7.7	11.0	4.0	7.1	2.0	
U-10	3.6	12.0	4.0	10.1	1.5	
U-12	12.0	10.0	3.2	6.3	1.5	1000
U-12A	12.0	8.5	4.5	7.0	6.0	

8-28-2



圓體間隔柱 SPACER SUPPORT

MATERIAL: NYLON 66(UL)
FLAME CLASS: 94V-2
COLOR: NATURAL



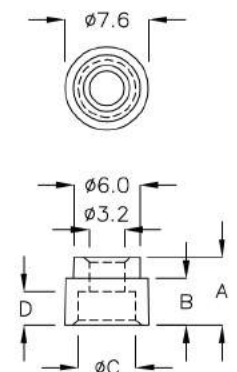
PART NO	A	B	C	D	PACKAGE
UWB-07	7.0	φ9.4	φ6.5	φ5.9	1000

8-28-3



華司 WASHER

MATERIAL: NYLON 66(UL)
FLAME CLASS: 94V-2
COLOR: NATURAL



PART NO	A	B	C	D	PACKAGE
UWC-01	6.1	4.2	5.2	3.0	1000

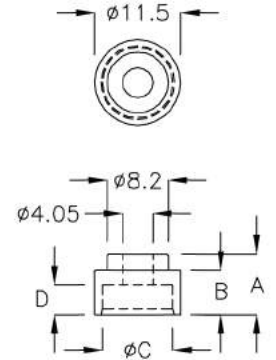


華司 WASHER

MATERIAL: NYLON 66(UL)
 FLAME CLASS: 94V-2
 COLOR: NATURAL

NEW

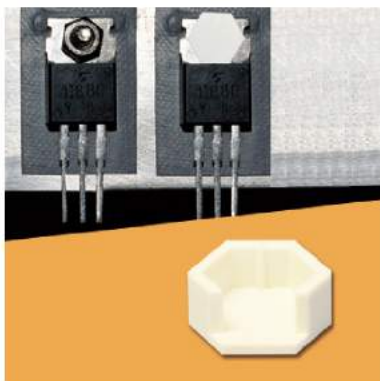
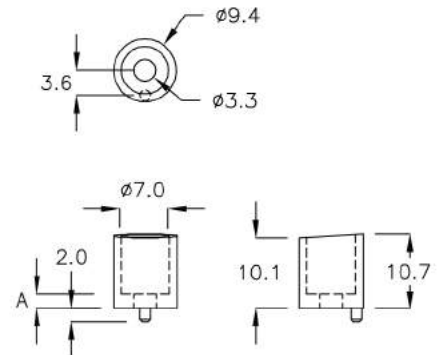
PART NO	A	B	C	D	PACKAGE
★ UWT-6QR	8.2	6.0	9.5	4.0	1000



華司 WASHER

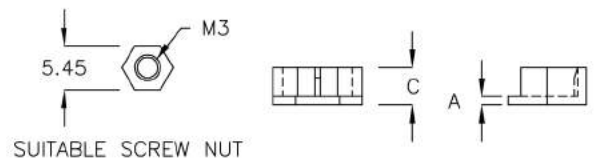
MATERIAL: NYLON 66(UL)
 FLAME CLASS: 94V-2
 COLOR: NATURAL

PART NO	A	PACKAGE
WRA-02	1.0	1000

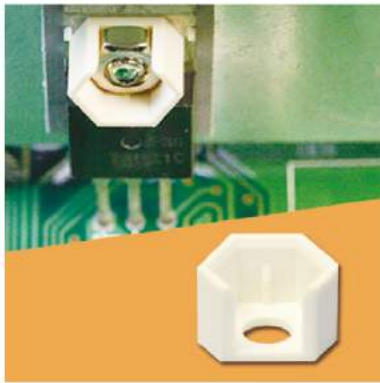


華司 WASHER

MATERIAL: NYLON 46(UL)
 FLAME CLASS: 94V-0
 COLOR: NATURAL
 SUITABLE NUT: M3 NUT

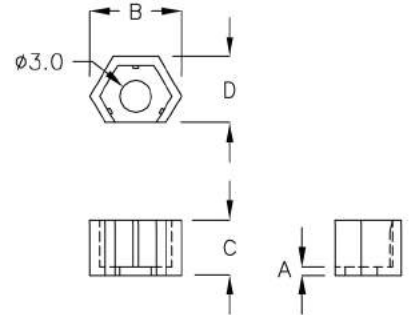


PART NO	A	B	C	PACKAGE
U-05M	0.8	8.6	3.6	2000



華司 WASHER

MATERIAL: NYLON 46(UL)
 FLAME CLASS: 94V-0
 COLOR: NATURAL
 SUITABLE NUT: M3 NUT



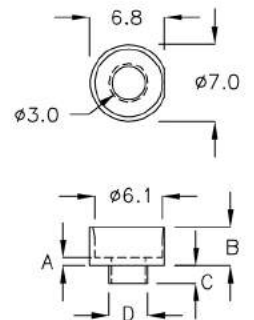
PART NO	A	B	C	D	PACKAGE
U-05J	0.8	8.6	5.2	6.25	2000
U-05Y	0.8	7.8	4.0	5.8	
U-5QF	0.8	8.6	4.0	6.25	



華司 WASHER

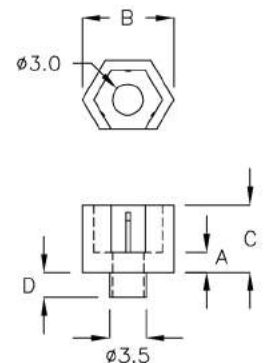
FLAME CLASS: 94V-0
 COLOR: NATURAL, BLACK

PART NO	A	B	C	D	MATERIAL	PACKAGE
U-03D	0.8	3.5	1.6	∅3.5	N46	2000
U-03F	0.8	3.8	2.2	∅3.5	N46	
U-03L	0.8	5.0	1.6	∅3.5	N46	
U-03R	0.8	2.5	2.2	∅3.5	N46	
U-4RY	0.8	4.0	3.5	∅3.8	N66	
U-4XQ	0.8	3.9	2.0	∅3.5	PPS	
U-5AB	1.9	4.9	2.4	∅3.5	N46	
U-5AF	1.9	3.9	2.4	∅3.5	N46	
U-5KW	1.9	4.9	3.6	∅5.0	N46	



華司 WASHER

MATERIAL: NYLON 46(UL)
 FLAME CLASS: 94V-0
 COLOR: NATURAL
 SUITABLE NUT: M3 NUT



PART NO	A	B	C	D	PACKAGE
U-5CG	1.9	8.6	6.4	2.4	2000

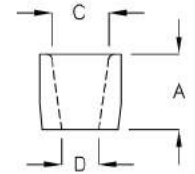
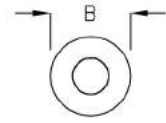
8-31-1



華司 WASHER

MATERIAL: NYLON 66(UL)
FLAME CLASS: 94V-2
COLOR: BLACK

PART NO	A	B	C	D	PACKAGE
SHC-06	6.0	ø6.5	ø4.6	ø3.0	2000



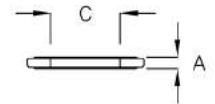
8-31-2



華司 WASHER

MATERIAL: SILICONE
COLOR: BLACK

PART NO	A	B	C	PACKAGE
OPW-7A	1.5	ø13.5	ø7.2	1000
OPW-9CD	1.5	ø15.5	ø9.3	
OPW-15D	1.8	ø21.4	ø15.65	
OPW-19M	1.8	ø26.7	ø19.5	
OPW-20	1.8	ø28.2	ø20.0	
OPW-24A	2.0	ø31.5	ø24.3	



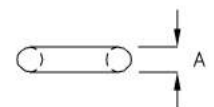
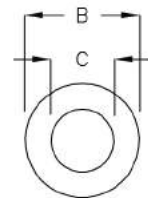
8-31-3



O型環 ORING

MATERIAL: SILICONE
COLOR: BLACK, ORANGE

PART NO	A	B	C	PACKAGE
OIL-02C	1.0	ø4.5	ø2.5	5000
OIL-04C	1.5	ø7.5	ø4.5	
OIL-10	1.5	ø13.0	ø10.0	2000



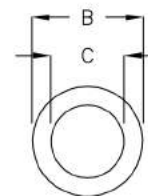
8-31-4



華司 WASHER

MATERIAL: SILICONE
COLOR: BLACK

PART NO	A	B	C	PACKAGE
WSR-11RM	1.5	ø18.0	ø11.9	1000
WSR-17D	1.5	ø17.1	ø9.9	



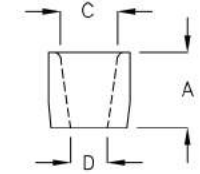
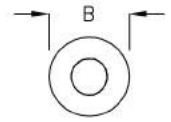
8-32-1



華司 WASHER

MATERIAL: NYLON 66(UL)
FLAME CLASS: 94V-2
COLOR: BLACK

PART NO	A	B	C	D	PACKAGE
SHC-06	6.0	ø6.5	ø4.6	ø3.0	2000



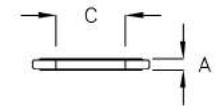
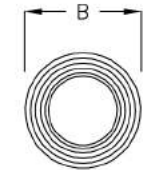
8-32-2



華司 WASHER

MATERIAL: SILICONE
COLOR: BLACK

PART NO	A	B	C	PACKAGE
OPW-7A	1.5	ø13.5	ø7.2	1000
OPW-9CD	1.5	ø15.5	ø9.3	
OPW-15D	1.8	ø21.4	ø15.65	
OPW-19M	1.8	ø26.7	ø19.5	
OPW-20	1.8	ø28.2	ø20.0	
OPW-24A	2.0	ø31.5	ø24.3	



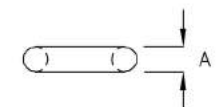
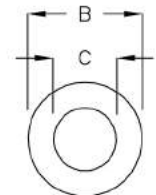
8-32-3



O型環 ORING

MATERIAL: SILICONE
COLOR: BLACK, ORANGE

PART NO	A	B	C	PACKAGE
OIL-02C	1.0	ø4.5	ø2.5	5000
OIL-04C	1.5	ø7.5	ø4.5	
OIL-10	1.5	ø13.0	ø10.0	2000



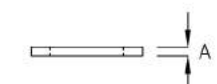
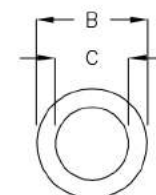
8-32-4



華司 WASHER

MATERIAL: SILICONE
COLOR: BLACK

PART NO	A	B	C	PACKAGE
WSR-11RM	1.5	ø18.0	ø11.9	1000
WSR-17D	1.5	ø17.1	ø9.9	

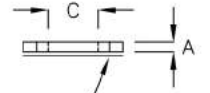
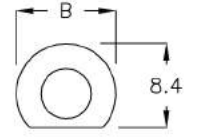


8-33-1



華司 WASHER

MATERIAL: SILICONE
COLOR: BLACK
ADHESIVE TAPE: 3M, or EQUIVALENT



DOUBLE COATED TAPE

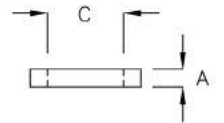
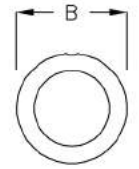
PART NO	A	B	C	PACKAGE
WSU-10	1.0	ø10.0	ø5.0	2000

8-33-2



華司 WASHER

MATERIAL: NYLON 66(UL)
FLAME CLASS: 94V-2
COLOR: NATURAL



PART NO	A	B	C	PACKAGE
MYC-18Y	0.5	ø18.7	ø14.5	1000

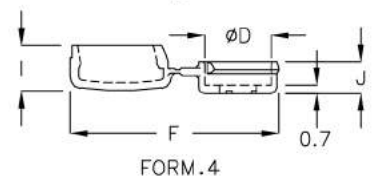
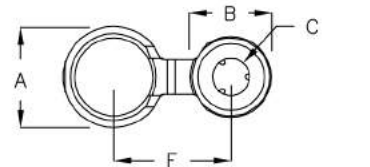
8-33-3



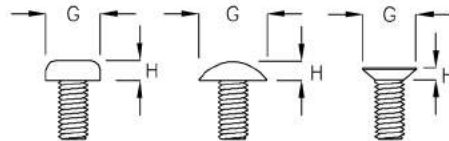
螺絲蓋 SCREW COVER

MATERIAL: NYLON 66(UL)
FLAME CLASS: 94V-2
COLOR: BLACK

美觀保護螺絲
Better appearance and with
Protection.
如有其他顏色需求, 歡迎來電詢問
If you have other color request,
kindly feel free to contact with us.



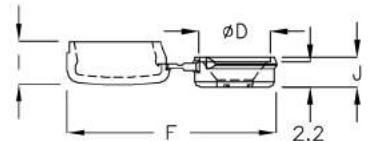
FORM.4



FORM.1

FORM.2

FORM.3



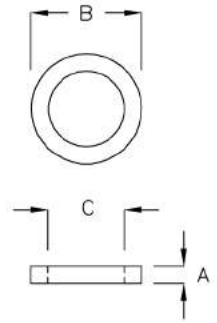
FORM.5

PART NO	A	B	C	D	E	F	I	J	SUITABLE SCREW				PACKAGE	
									SCREW	FORM	G	H		FORM
M3P-8A	ø8.7	ø6.7	ø3.2	ø5.7	10.0	17.9	3.9	2.7	M3	1	5.5	2.0	4	1000
M3T-10K	ø10.1	ø8.1	ø3.2	ø7.1	11.4	20.7	3.9	2.7	M3	2	6.9	1.9	4	
M3F-9W	ø9.2	ø7.2	ø3.2	ø6.2	10.5	18.9	4.1	3.0	M3	3	6.0	1.8	5	
M4P-10A	ø10.2	ø8.2	ø4.2	ø7.2	11.5	20.9	4.4	3.3	M4	1	7.0	2.6	4	
M4T-12K	ø12.6	ø10.6	ø4.2	ø9.6	13.9	25.7	4.4	3.3	M4	2	9.4	2.5	4	
M4F-11W	ø11.2	ø9.2	ø4.2	ø8.2	12.5	22.9	4.1	3.0	M4	3	8.0	2.3	5	
UN6K-10K	ø10.1	ø8.1	ø3.7	ø7.1	11.4	20.6	3.9	2.8	#6-32	1	6.9	2.1	4	
UN6K-9D	ø9.8	ø7.8	ø3.7	ø6.8	11.1	20.1	4.4	3.3	#6-32	2	6.6	2.6	4	
UN6K-10FQ	ø10.3	ø8.3	ø3.7	ø7.3	11.6	21.1	4.1	3.0	#6-32	3	7.1	2.1	5	



華司 WASHER

MATERIAL: NYLON 66(UL)
FLAME CLASS: 94V-2
COLOR: NATURAL



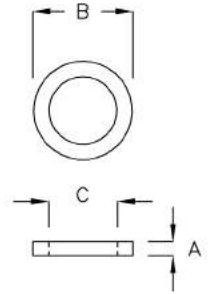
PART NO	A	B	C	PACKAGE
WS-1BD	1.0	ø3.2	ø1.6	2000
WS-01N	0.45	ø3.9	ø1.85	
WS-2RK	1.0	ø4.0	ø2.0	
WS-2HR	1.0	ø4.1	ø2.2	
WS-0	0.4	ø4.2	ø2.5	
WS-04C	0.5	ø4.5	ø2.5	
WS-4KT	1.5	ø4.9	ø3.7	
WS-1D	1.0	ø5.0	ø2.7	
WS-1F	1.5	ø5.0	ø2.5	
WS-2DC	1.8	ø5.0	ø3.1	
WS-1B	0.5	ø5.5	ø2.5	
WS-1C	0.5	ø5.5	ø3.0	
WS-2FA	1.8	ø5.5	ø3.1	
WS-3GK	1.0	ø5.6	ø3.0	
WS-3A	1.4	ø5.6	ø2.9	
WS-6NZ	0.5	ø6.0	ø4.3	
WS-01L	0.8	ø6.0	ø3.1	
WS-2K	1.0	ø6.0	ø2.7	
WS-5HY	1.0	ø6.2	ø3.2	
WS-06K	1.5	ø6.35	ø3.3	
WS-06A	1.0	ø6.5	ø3.8	
WS-06C	1.35	ø6.8	ø4.9	
WS-07H	0.5	ø7.0	ø2.2	
WS-1R	0.6	ø7.0	ø4.6	
WS-1M	0.8	ø7.0	ø3.1	
WS-02M	1.0	ø7.0	ø3.2	
WS-3SB	1.0	ø7.0	ø3.5	
WS-07F	0.65	ø7.5	ø4.3	
WS-07C	1.55	ø7.5	ø5.1	
WS-08F	0.9	ø7.8	ø4.1	
WS-4	0.8	ø7.9	ø4.0	
WS-9	0.5	ø8.0	ø5.1	
WS-23	0.6	ø8.0	ø1.6	
WS-1S	0.7	ø8.0	ø3.0	
WS-8RM	0.8	ø8.0	ø3.2	
WS-6FP	0.8	ø8.0	ø5.8	
WS-1	1.0	ø8.0	ø3.2	
WS-57	1.6	ø8.0	ø3.0	
WS-9A	2.0	ø8.0	ø5.1	
WS-2	1.7	ø8.1	ø3.2	
WS-8MK	1.0	ø8.2	ø5.65	
WS-24	0.8	ø9.0	ø4.0	

PART NO	A	B	C	PACKAGE	
WS-9RC	0.75	ø9.0	ø5.85	2000	
WS-9DK	0.75	ø9.0	ø6.25		
WS-4PS	1.0	ø9.0	ø4.5		
WS-06M	1.5	ø9.0	ø5.5		
WS-22	1.8	ø9.0	ø4.2		
WS-5KL	1.0	ø9.5	ø5.0		
WS-7DM	3.7	ø9.6	ø4.2		
WS-5	3.0	ø9.9	ø4.0		
WS-06D	0.8	ø10.0	ø6.7		
WS-10C	1.0	ø10.0	ø3.1		
WS-6	1.1	ø10.0	ø5.5		
WS-3	1.2	ø10.0	ø4.2		
WS-10F	2.65	ø10.0	ø6.6		
WS-10AC	3.0	ø10.0	ø6.6		
WS-7	3.5	ø10.0	ø6.0		
WS-10	4.0	ø10.0	ø3.6		1000
WS-11F	1.0	ø11.0	ø4.1		2000
WS-11MC	1.5	ø11.1	ø5.2		
WS-11KY	2.0	ø11.5	ø4.5		
WS-8	0.5	ø12.0	ø8.2		
WS-12S	1.0	ø12.0	ø3.1		
★ WS-12FG	1.0	ø12.0	ø7.4		
WS-12A	1.5	ø12.0	ø4.5		
WS-12	1.2	ø12.1	ø6.4		
WS-13	3.8	ø12.6	ø6.4	1000	
WS-13A	4.2	ø13.0	ø3.6		
WS-13C	1.0	ø13.0	ø10.0	2000	
WS-14	1.0	ø14.0	ø6.5		
WS-14F	1.0	ø14.0	ø10.4		
WS-56	1.6	ø14.1	ø8.2		
WS-15	4.8	ø14.7	ø12.6	1000	
WS-16D	0.8	ø16.0	ø9.7	2000	
WS-16A	1.6	ø16.0	ø9.7		
WS-16F	1.6	ø16.0	ø8.4		
WS-17	1.5	ø17.0	ø13.5		
WS-18	0.8	ø18.0	ø4.2		
WS-18QT	1.4	ø18.0	ø8.1		
WS-20	1.0	ø20.0	ø14.5	1000	
WS-20A	2.0	ø20.0	ø10.5		
WS-21	1.0	ø21.0	ø14.1		
WS-22PM	1.5	ø22.0	ø16.5		
WS-26	1.5	ø26.0	ø20.5		



華司 WASHER

MATERIAL: NYLON 6
 COLOR: NATURAL
 OTHER MATERIAL & THICKNESS
 AVAILABLE FOR OPTIONAL REQUEST
 (我司備有其他尺寸, 歡迎來電洽詢)



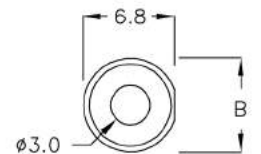
PART NO	A	B	C	PACKAGE
NWT-01	0.5	ø4.5	ø2.1	5000
NWT-02	0.5	ø4.5	ø2.6	
NWT-03	0.5	ø4.6	ø2.5	
NWT-04	0.5	ø4.7	ø2.6	
NWT-05	0.5	ø5.0	ø2.2	
NWT-06	0.5	ø5.0	ø2.5	
NWT-07	0.5	ø5.0	ø2.6	
NWT-08	0.5	ø5.0	ø3.0	
NWT-09	0.5	ø5.0	ø3.1	
NWT-10	0.5	ø5.0	ø3.2	
NWT-11	0.5	ø5.0	ø3.5	
NWT-12	0.5	ø5.6	ø3.1	
NWT-13	0.5	ø5.6	ø4.8	
NWT-14	0.5	ø6.0	ø2.1	
NWT-15	0.5	ø6.0	ø3.1	
NWT-16	0.5	ø6.0	ø3.2	
NWT-17	0.5	ø6.0	ø3.6	
NWT-18	0.5	ø6.0	ø4.1	
NWT-19	0.5	ø6.0	ø4.3	
NWT-21	0.5	ø6.5	ø2.98	
NWT-22	0.5	ø6.5	ø3.5	
NWT-23	0.5	ø6.5	ø4.1	
NWT-24	0.5	ø7.0	ø2.5	
NWT-25	0.5	ø7.0	ø4.2	
NWT-26	0.5	ø7.0	ø5.1	
NWT-27	0.5	ø7.0	ø3.1	
NWT-28	0.5	ø7.5	ø4.8	
NWT-29	0.5	ø7.8	ø3.2	
NWT-30	0.5	ø8.0	ø3.1	

PART NO	A	B	C	PACKAGE
NWT-31	0.5	ø8.0	ø4.1	5000
NWT-32	0.5	ø8.0	ø5.0	
NWT-33	0.5	ø8.0	ø5.1	
NWT-34	0.5	ø8.0	ø6.0	
NWT-36	0.5	ø8.8	ø4.0	
NWT-37	0.5	ø8.8	ø5.2	
NWT-38	0.5	ø9.0	ø4.5	
NWT-39	0.5	ø9.0	ø6.1	
NWT-40	0.5	ø10.0	ø3.1	
NWT-41	0.5	ø10.0	ø4.1	
NWT-42	0.5	ø10.0	ø5.1	
NWT-43	0.5	ø10.0	ø5.2	
NWT-44	0.5	ø10.0	ø5.5	
NWT-45	0.5	ø10.0	ø6.1	
NWT-46	0.5	ø10.0	ø6.4	
NWT-47	0.5	ø10.4	ø7.2	
NWT-48	0.5	ø10.5	ø6.6	
NWT-49	0.5	ø10.8	ø7.2	
NWT-50	0.5	ø11.0	ø5.0	
NWT-51	0.5	ø11.6	ø7.6	
NWT-52	0.5	ø12.0	ø3.6	
NWT-53	0.5	ø12.0	ø5.2	
NWT-54	0.5	ø12.0	ø6.0	
NWT-55	0.5	ø12.0	ø7.3	
NWT-56	0.5	ø12.0	ø8.0	
NWT-58	0.5	ø13.0	ø6.5	
NWT-59	0.5	ø13.0	ø7.95	
NWT-60	0.5	ø13.0	ø8.0	
NWT-99	0.5	ø9.1	ø4.0	

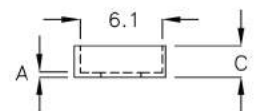


華司 WASHER

MATERIAL: NYLON 46(UL)
 FLAME CLASS: 94V-0
 COLOR: NATURAL



PART NO	A	B	C	PACKAGE
U-02A	0.3	ø7.0	2.3	2000



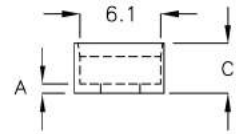
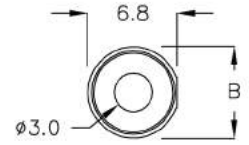
8-36-1



華司 WASHER

MATERIAL: NYLON 46(UL)
FLAME CLASS: 94V-0
COLOR: NATURAL

PART NO	A	B	C	PACKAGE
U-02F	0.3	ø7.0	1.9	2000
U-03K	0.8	ø7.0	3.8	



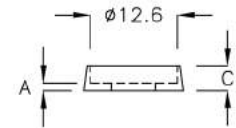
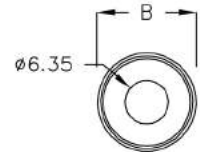
8-36-2



華司 WASHER

MATERIAL: NYLON 66(UL)
FLAME CLASS: 94V-2
COLOR: BLACK

PART NO	A	B	C	PACKAGE
UWD-6K	1.1	ø14.3	3.65	1000



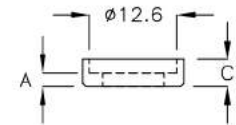
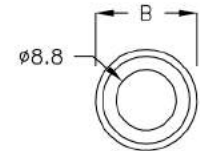
8-36-3



華司 WASHER

MATERIAL: PPO(UL)
FLAME CLASS: 94V-1
COLOR: GRAY

PART NO	A	B	C	PACKAGE
UWJ-14Q	2.0	ø14.6	4.0	1000



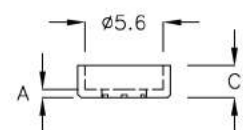
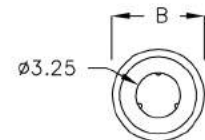
8-36-4



華司 WASHER

MATERIAL: NYLON 66(UL)
FLAME CLASS: 94V-2
COLOR: BLACK
USE SCREW: M3

PART NO	A	B	C	PACKAGE
UWD-3F	0.6	ø6.7	2.3	1000



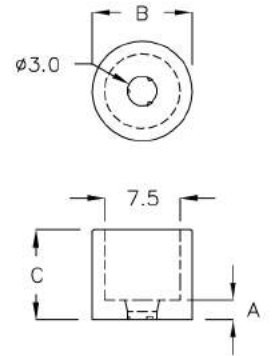
8-37-1



華司 WASHER

MATERIAL: NYLON 66(UL)
 FLAME CLASS: 94V-2
 COLOR: NATURAL
 USE SCREW: M3

PART NO	A	B	C	PACKAGE
UWK-9	2.0	10.0	9.0	1000



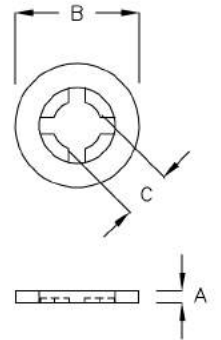
8-37-2



華司 WASHER

MATERIAL: NYLON 66(UL)
 FLAME CLASS: 94V-2
 COLOR: NATURAL

PART NO	A	B	C	SCREW	PACKAGE
WSF-02	0.6	ø4.5	ø1.6	M2x0.4	2000
WSF-3	0.8	ø8.3	ø3.2	#6-32	
WSF-3A	0.75	ø6.7	ø2.5	M3x0.5	
WSF-3D	0.6	ø5.0	ø2.5	M3x0.5	
WSF-3GK	0.6	ø5.0	ø2.4		
WSF-3M	1.0	ø8.0	ø2.5	M3x0.5	
WSF-3S	0.6	ø8.3	ø3.2	#6-32	
WSF-04	1.0	ø12.5	ø3.6	M4x0.7	
WSF-06	2.0	ø12.0	ø5.25		
WSF-6KT	1.0	ø6.3	ø2.3		
WSF-10	0.7	ø10.0	ø5.2		



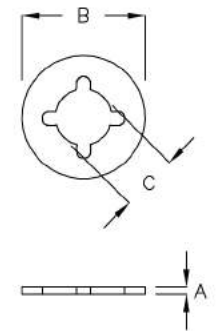
8-37-3



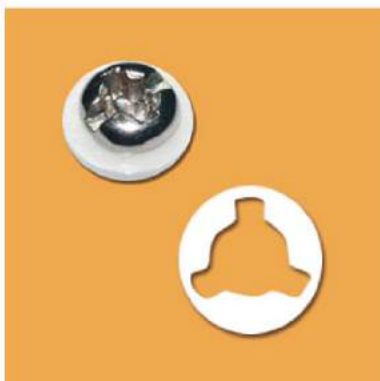
華司 WASHER

MATERIAL: NYLON 66(UL)
 FLAME CLASS: 94V-2
 COLOR: NATURAL

PART NO	A	B	C	SCREW	PACKAGE
WSF-09	0.6	ø9.0	ø4.2	M5x0.8	2000



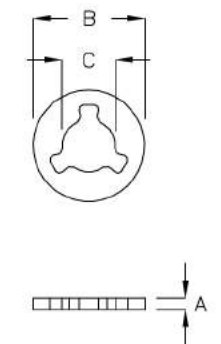
8-37-4

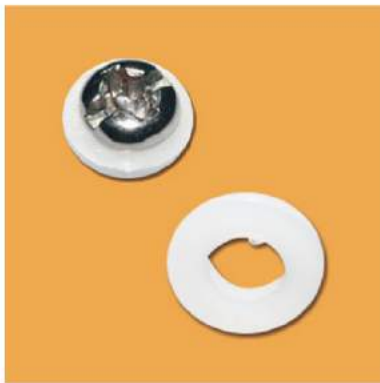


華司 WASHER

MATERIAL: NYLON 6
 COLOR: NATURAL

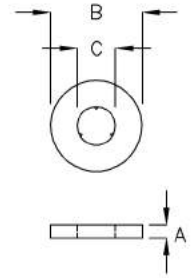
PART NO	A	B	C	PACKAGE
WRD-2A	0.5	ø4.8	ø2.3	10000





華司 WASHER

MATERIAL: NYLON 66(UL)
FLAME CLASS: 94V-2
COLOR: NATURAL



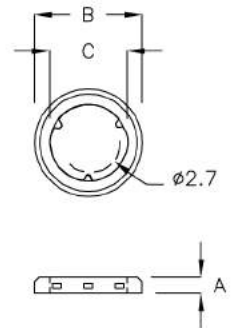
PART NO	A	B	C	USE SCREW	PACKAGE
WS-5RM	1.0	∅5.5	∅3.2	M3	2000
WS-5WK	1.2	∅5.5	∅3.2	M3	
WS-5YT	1.8	∅5.5	∅3.2	M3	
WS-6AT	1.5	∅6.35	∅3.2	M3	
WS-2T	0.9	∅6.5	∅3.2	M3	
WS-7RT	0.8	∅7.0	∅3.2	M3	
WS-7YM	1.2	∅7.0	∅4.2	M4	
WS-7TH	1.0	∅7.0	∅4.2	M4	
WS-7AY	1.5	∅7.5	∅4.2	M4	
WS-7FT	0.65	∅7.5	∅4.2	M4	
WS-8WT	0.8	∅7.9	∅4.2	M4	

PART NO	A	B	C	USE SCREW	PACKAGE
WS-8HT	0.5	∅8.0	∅5.3	M5	2000
WS-8ST	1.0	∅8.0	∅3.2	M3	
WS-8TQ	2.0	∅8.0	∅3.2	M3	
WS-3T	1.2	∅10.0	∅4.2	M4	
WS-11KT	1.0	∅11.0	∅4.2	M4	
WS-11DF	2.0	∅11.0	∅4.2	M4	
WS-11QT	2.0	∅11.5	∅4.2	M4	
WS-12T	1.0	∅12.0	∅3.2	M2.6	
WS-12CK	2.0	∅12.0	∅3.2	M2.6	
WS-4T	3.0	∅14.0	∅4.2	M4	
WS-15T	1.0	∅15.0	∅3.2	M3	
WS-15KR	2.0	∅15.0	∅3.2	M3	

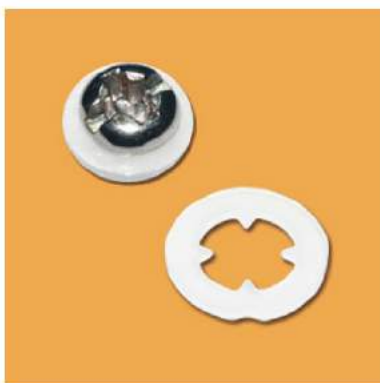


華司 WASHER

MATERIAL: NYLON 66(UL)
FLAME CLASS: 94V-2
COLOR: NATURAL

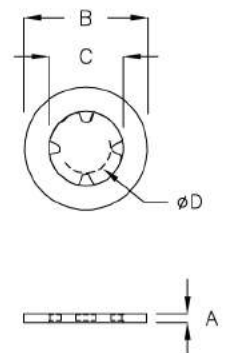


PART NO	A	B	C	USE SCREW	PACKAGE
WRK-3C	0.7	∅4.6	∅3.3	M3	2000



華司 WASHER

MATERIAL: NYLON 66(UL)
FLAME CLASS: 94V-2
COLOR: NATURAL



PART NO	A	B	C	D	USE SCREW	PACKAGE
WRC-5Q	0.8	∅11.0	∅6.6	∅4.4	2000	
WRC-3BA	1.0	∅8.0	∅3.5	∅2.7		
WRC-4GC	0.8	∅10.0	∅4.5	∅3.7		
WRC-5MK	1.0	∅11.0	∅5.5	∅4.7		

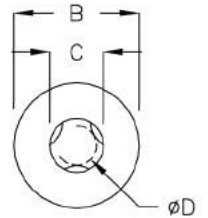
8-39-1



華司 WASHER

MATERIAL: PE
COLOR: NATURAL

PART NO	A	B	C	D	USE SCREW	PACKAGE
WRD-3K	0.8	ø10.0	ø4.4	ø3.2	M4	2000



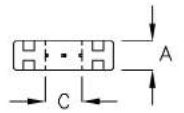
8-39-2



華司 WASHER

MATERIAL: NYLON 66(UL)
FLAME CLASS: 94V-2
COLOR: NATURAL

PART NO	A	B	C	USE SCREW	PACKAGE
WS-20T	2.35	ø8.0	ø3.0	M3	2000



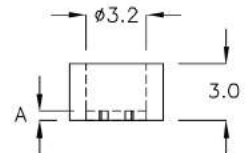
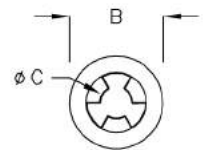
8-39-3



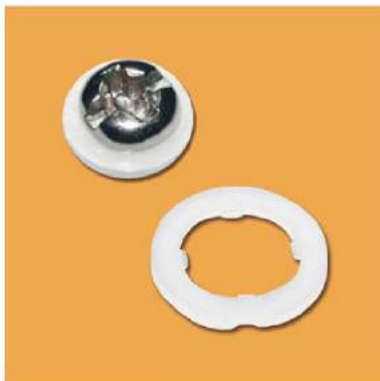
華司 WASHER

MATERIAL: NYLON 66(UL)
FLAME CLASS: 94V-2
COLOR: NATURAL

PART NO	A	B	C	USE SCREW	PACKAGE
WSX-1A	0.5	ø5.0	ø1.8	M1.6	2000



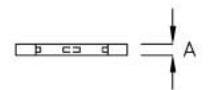
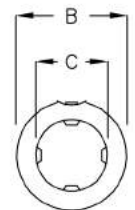
8-39-4



華司 WASHER

MATERIAL: NYLON 66(UL)
FLAME CLASS: 94V-2
COLOR: NATURAL

PART NO	A	B	C	USE SCREW	PACKAGE
WS-4FT	1.0	ø7.0	ø4.2	M4	2000
WS-4XT	1.5	ø7.0	ø4.2		
WS-4BT	2.0	ø7.0	ø4.2		
WS-5T	0.8	ø8.0	ø5.2	M5	
WS-5WT	1.0	ø8.0	ø5.2		
WS-5LT	1.5	ø8.0	ø5.2		
WS-5BT	2.0	ø8.0	ø5.2	M6	
WS-6GT	1.0	ø9.0	ø6.2		
WS-6HT	1.5	ø9.0	ø6.2		
WS-6PT	2.0	ø9.0	ø6.2		



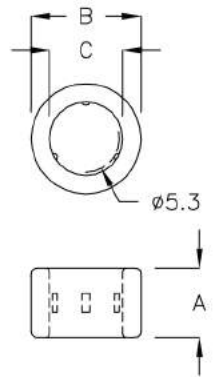
8-40-1



華司 WASHER

MATERIAL: NYLON 66(UL)
 FLAME CLASS: 94V-2
 COLOR: NATURAL

PART NO	A	B	C	PACKAGE
WRP-5LA	5.5	ø8.7	ø5.8	1000



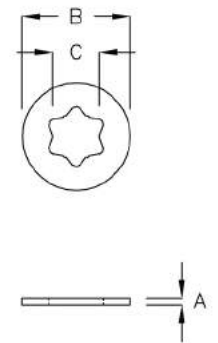
8-40-2



華司 WASHER

MATERIAL: NYLON 66(UL)
 FLAME CLASS: 94V-2
 COLOR: NATURAL

PART NO	A	B	C	USE SCREW	PACKAGE
WSH-08	0.5	ø8.0	3.4	#6-32	2000



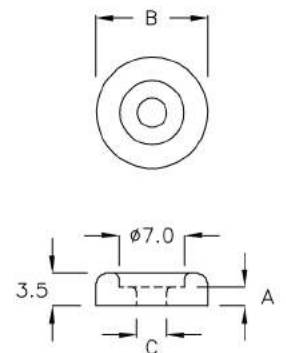
8-40-3



華司 WASHER

MATERIAL: NYLON 66(UL)
 FLAME CLASS: 94V-2
 COLOR: NATURAL

PART NO	A	B	C	PACKAGE
UWD-3D	2.0	ø12.0	ø3.2	1000



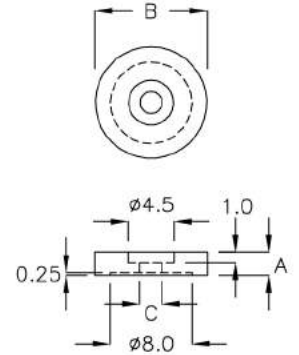
8-41-1



華司 WASHER

MATERIAL: NYLON 66(UL)
FLAME CLASS: 94V-2
COLOR: NATURAL

PART NO	A	B	C	PACKAGE
WWK-11A	2.25	ø11.0	ø2.2	2000



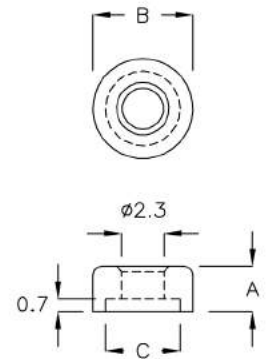
8-41-2



華司 WASHER

MATERIAL: NYLON 66(UL)
FLAME CLASS: 94V-0
COLOR: BLACK

PART NO	A	B	C	PACKAGE
UWQ-2M	2.5	ø5.5	ø4.1	1000



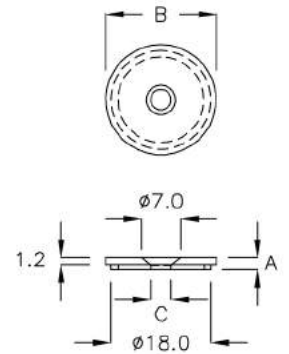
8-41-3



華司 WASHER

MATERIAL: NYLON 66(UL)
FLAME CLASS: 94V-2
COLOR: NATURAL

PART NO	A	B	C	PACKAGE
WSA-02	2.1	ø20.0	ø3.7	1000



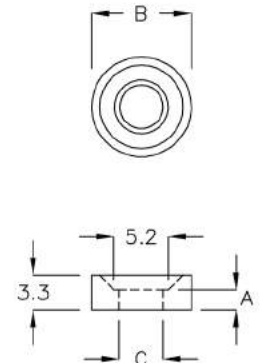
8-41-4



華司 WASHER

MATERIAL: NYLON 66(UL)
FLAME CLASS: 94V-2
COLOR: BLACK

PART NO	A	B	C	PACKAGE
WRB-3A	1.9	ø9.6	ø4.2	2000
WRB-3C	1.9	ø11.5	ø4.2	

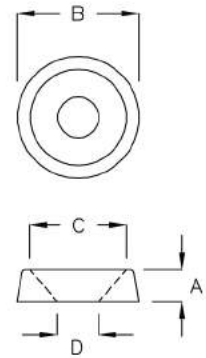


8-42-1



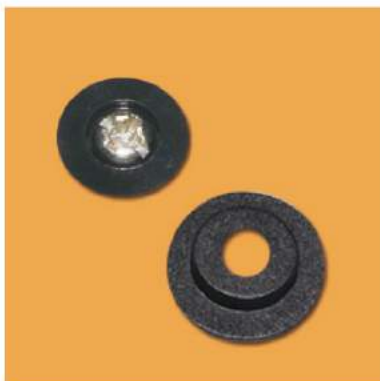
華司 WASHER

MATERIAL: NYLON 66(UL)
FLAME CLASS: 94V-2
COLOR: NATURAL



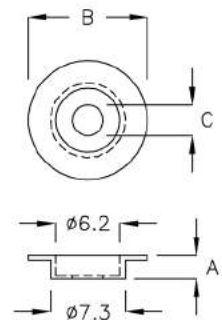
PART NO	A	B	C	D	USE SCREW	PACKAGE
UWM-03	2.5	ø9.6	ø6.3	ø3.1	M3	2000
UWM-04	2.7	ø11.6	ø8.4	ø4.1	M4	
UWM-05	3.2	ø13.6	ø10.4	ø5.1	M5	
UWS-11	2.55	ø11.0	ø8.0	ø3.9	NO. 6-32UNC	
UWS-13	2.9	ø13.0	ø9.4	ø4.4	NO. 8-32UNC	1000
UWS-14	3.85	ø14.7	ø11.6	ø5.0	NO. 10-24UNC	
UWS-15	4.0	ø15.4	ø12.7	ø5.8	NO. 12-24UNC	
UWS-17	4.65	ø17.3	ø14.5	ø6.5	1/4-20UNC	

8-42-2



華司 WASHER

MATERIAL: NYLON 66(UL)
FLAME CLASS: 94V-2
COLOR: BLACK



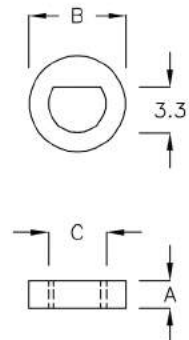
PART NO	A	B	C	PACKAGE
WSA-01	2.4	ø11.5	ø3.0	2000

8-42-3



華司 WASHER

MATERIAL: POM
FLAME CLASS: 94-HB
COLOR: NATURAL



PART NO	A	B	C	PACKAGE
WRF-02	2.0	ø7.0	ø4.2	1000

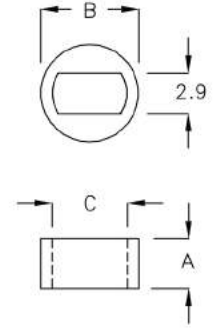
8-43-1



固定座 MOUNT

MATERIAL: NYLON 66(UL)
FLAME CLASS: 94V-2
COLOR: NATURAL

PART NO	A	B	C	PACKAGE
UWF-3PQ	3.6	ø7.0	ø5.4	2000
UWF-05	5.0	ø7.0	ø5.3	



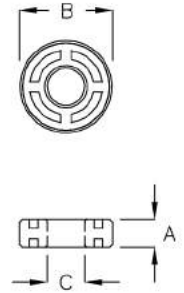
8-43-2



華司 WASHER

MATERIAL: NYLON 66(UL)
FLAME CLASS: 94V-2
COLOR: BLACK

PART NO	A	B	C	PACKAGE
WSC-01	4.5	ø15.0	ø6.0	1000
WSC-1A	5.7	ø15.0	ø6.0	



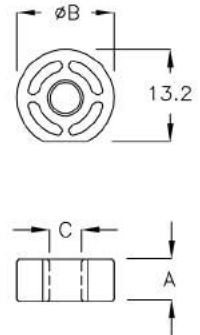
8-43-3



華司 WASHER

MATERIAL: NYLON 66(UL)
FLAME CLASS: 94V-2
COLOR: NATURAL

PART NO	A	B	C	PACKAGE
WSC-06	6.0	ø14.0	ø4.6	1000



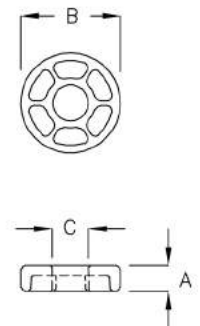
8-43-4



華司 WASHER

MATERIAL: NYLON 66(UL)
FLAME CLASS: 94V-2
COLOR: NATURAL

PART NO	A	B	C	PACKAGE
WWF-4K	3.1	ø12.0	ø4.35	2000



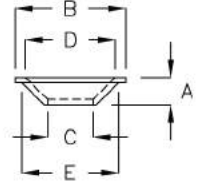
8-44-1



華司 WASHER

MATERIAL: NYLON 66(UL)
FLAME CLASS: 94V-2
COLOR: NATURAL, BLACK

PART NO	A	B	C	D	E	PACKAGE
WSL-01	2.5	∅10.0	∅4.1	∅8.1	∅8.7	2000
WSL-02	1.5	∅7.0	∅3.1	∅5.1	∅5.7	



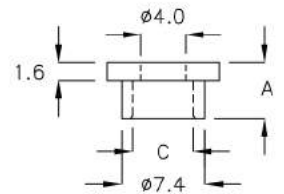
8-44-2



華司 WASHER

MATERIAL: NYLON 66(UL)
FLAME CLASS: 94V-2
COLOR: BLACK

PART NO	A	B	C	PACKAGE
WSB-01	5.0	∅10.0	∅5.4	1000



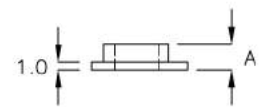
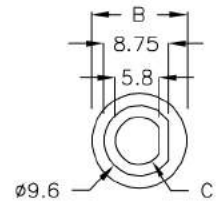
8-44-3



華司 WASHER

MATERIAL: NYLON 66(UL)
FLAME CLASS: 94V-2
COLOR: BLACK

PART NO	A	B	C	PACKAGE
WSJ-01	3.4	∅13.0	∅6.3	2000



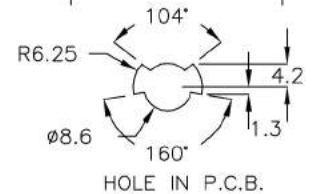
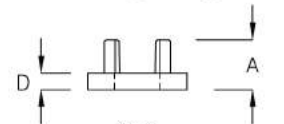
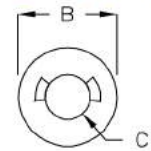
8-44-4



華司 WASHER

MATERIAL: NYLON 66(UL)
FLAME CLASS: 94V-2
COLOR: BLACK

PART NO	A	B	C	D	PACKAGE
MIA-03	9.0	∅17.9	∅8.1	3.0	500
MIA-04	10.0	∅17.9	∅8.0	4.0	



HOLE IN P.C.B.

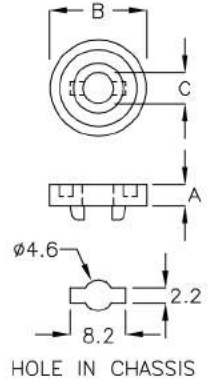
8-45-1



華司 WASHER

MATERIAL: NYLON 66(UL)
FLAME CLASS: 94V-2
COLOR: NATURAL

PART NO	A	B	C	PACKAGE
WST-14	3.0	∅14.0	∅4.5	500



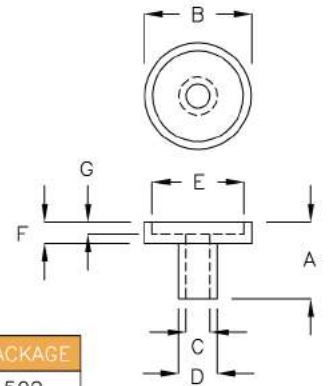
8-45-2



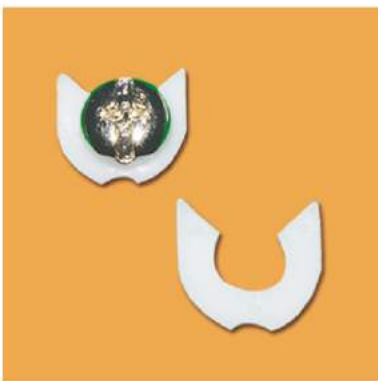
華司 WASHER

MATERIAL: NYLON 66(UL)
FLAME CLASS: 94V-2
COLOR: NATURAL

PART NO	A	B	C	D	E	F	G	PACKAGE
WSQ-01	10.0	∅14.0	∅3.2	∅5.0	∅12.0	2.8	1.6	500
WSQ-03	7.3	∅7.0	∅3.0	∅3.5	∅6.1	3.8	3.0	1000



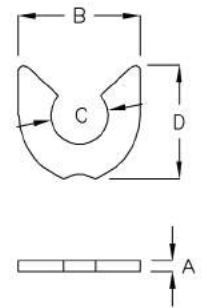
8-45-3



華司 WASHER

MATERIAL: POM
FLAME CLASS: 94HB
COLOR: NATURAL

PART NO	A	B	C	D	PACKAGE
WU-1	0.8	12.6	∅5.9	11.5	2000
WU-002	0.6	9.5	∅4.1	8.9	



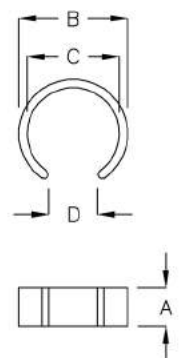
8-45-4



C型環 C RING

MATERIAL: NYLON 66(UL)
FLAME CLASS: 94V-2
COLOR: NATURAL, BLACK

PART NO	A	B	C	D	PACKAGE
WCC-05	2.3	∅6.55	∅5.55	2.9	2000
WCC-5A	2.46	∅6.2	∅5.05	1.8	

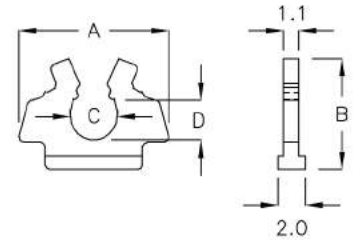


8-46-1



華司 WASHER

MATERIAL: NYLON 66(UL)
FLAME CLASS: 94V-2
COLOR: NATURAL



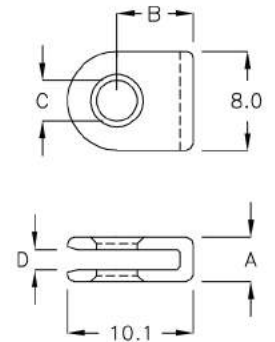
PART NO	A	B	C	D	PACKAGE
WSM-01	10.8	8.0	3.4	2.9	2000

8-46-2



華司 WASHER

MATERIAL: NYLON 66(UL)
FLAME CLASS: 94V-2
COLOR: NATURAL



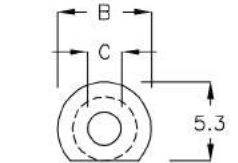
PART NO	A	B	C	D	PACKAGE
WSU-01	3.6	6.1	∅3.3	1.6	2000

8-46-3



華司 WASHER

MATERIAL: NYLON 66(UL)
FLAME CLASS: 94V-2
COLOR: NATURAL



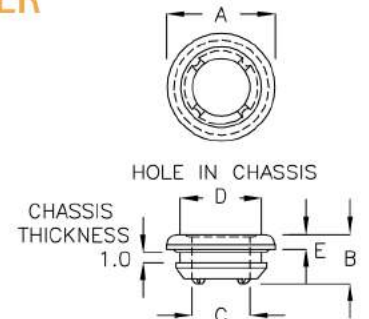
PART NO	A	B	C	D	E	PACKAGE
WSN-2A	2.6	∅6.3	∅2.3	∅4.3	0.6	2000

8-46-4



防震華司 SHOCK-ABSORB WASHER

MATERIAL: TPE
COLOR: BLACK



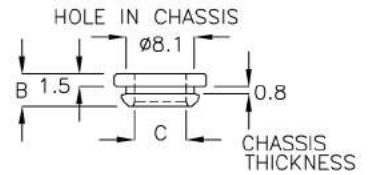
PART NO	A	B	C	D	E	PACKAGE
GLH-2A	∅10.3	4.7	∅5.5	∅8.0	1.4	2000
GLH-12MP	∅12.0	4.9	∅6.2	∅8.2	1.8	

8-47-1



防震華司 SHOCK-ABSORB WASHER

MATERIAL: TPE
COLOR: BLACK



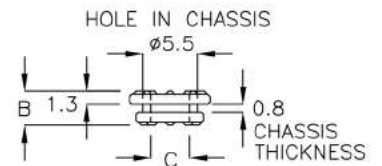
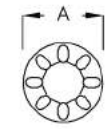
PART NO	A	B	C	PACKAGE
GLH-3WD	∅11.0	3.9	∅6.4	2000

8-47-2



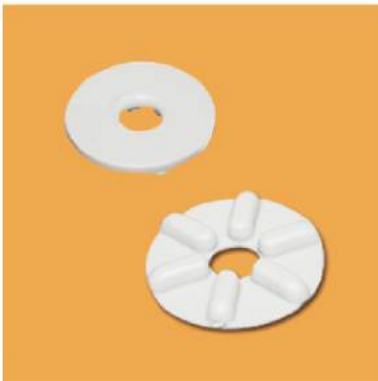
防震華司 SHOCK-ABSORB WASHER

MATERIAL: TPE
COLOR: BLACK



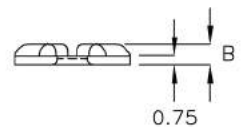
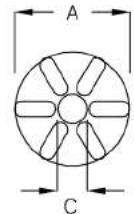
PART NO	A	B	C	PACKAGE
GSQ-8AC	∅8.0	3.4	∅3.9	2000

8-47-3



防震華司 SHOCK-ABSORB WASHER

MATERIAL: TPE
COLOR: GRAY
SCREW: M2.6



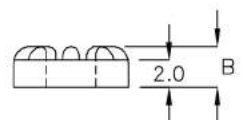
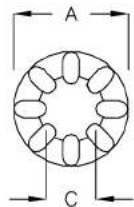
PART NO	A	B	C	PACKAGE
GSG-01	∅9.6	1.75	∅2.5	2000

8-47-4



防震華司 SHOCK-ABSORB WASHER

MATERIAL: SILICONE
COLOR: BLACK



PART NO	A	B	C	PACKAGE
GSG-03	∅8.6	3.0	∅3.75	2000

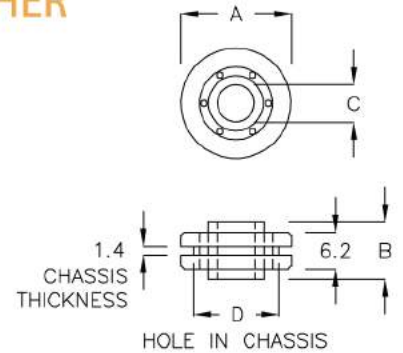
8-48-1



防震華司 SHOCK-ABSORB WASHER

MATERIAL: TPE
COLOR: BLACK

PART NO	A	B	C	D	HOLE IN CHASSIS	PACKAGE
GSD-01	∅18.8	9.7	∅6.3	∅14.4		200



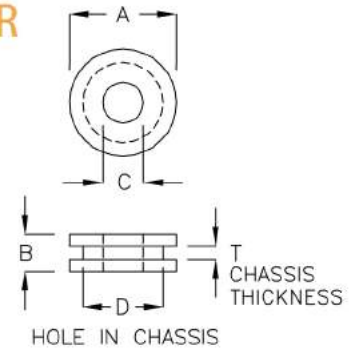
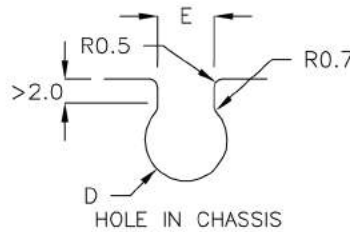
8-48-2



防震華司 SHOCK-ABSORB WASHER

MATERIAL: TPE
COLOR: BLACK

PART NO	A	B	C	D	E	T	PACKAGE
GSH-12	∅12.7	4.4	∅4.8	∅9.5	8.5	1.6	1000
GSH-12AP	∅12.0	9.0	∅6.0	∅9.0	8.0	1.0	



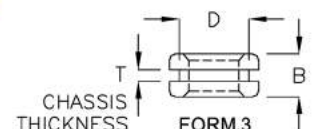
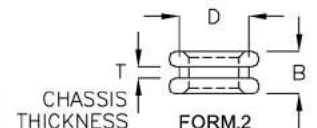
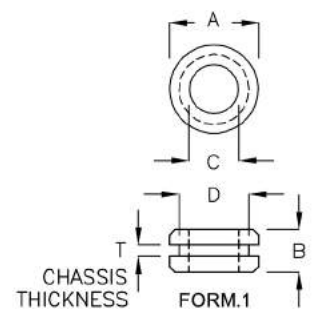
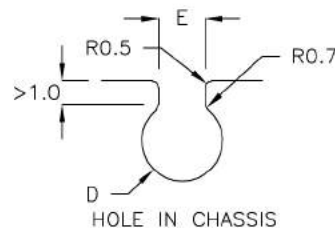
8-48-3



防震華司 SHOCK-ABSORB WASHER

MATERIAL: TPR, TPE, SILICONE
COLOR: BLACK

PART NO	MATERIAL	A	B	C	D	E	H	T	FORM	PACKAGE
WSS-02C	TPR	∅7.0	2.8	∅3.9	∅5.5	4.0	1.6	0.8	1	2000
WSS-03A	SILICONE	∅7.0	3.4	∅3.9	∅5.5	4.0	1.6	0.8	2	
WSS-3RK	SILICONE	∅8.2	3.8	∅4.0	∅6.0	4.0	2.0	0.8	3	
WSS-07	TPE	∅7.0	5.0	∅3.9	∅5.5	4.0	1.6	0.8	1	
WSS-5GD	TPE	∅5.0	4.0	∅2.5	∅4.0	3.0	1.5	1.0	2	1000
WSS-10CQ	SILICONE	∅10.0	5.35	∅4.0	∅6.0	4.0	3.0	1.2	3	

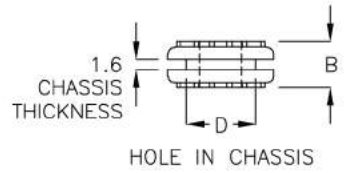
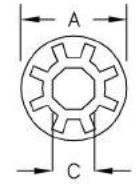
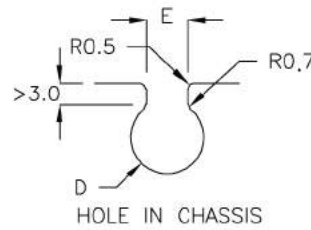


8-49-1



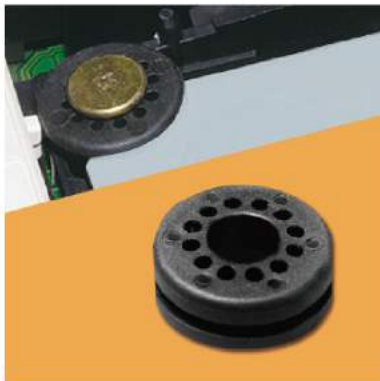
防震華司 SHOCK-ABSORB WASHER

MATERIAL: TPE
COLOR: BLACK



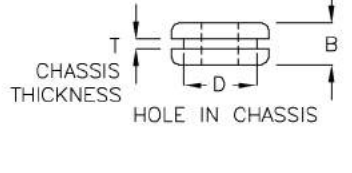
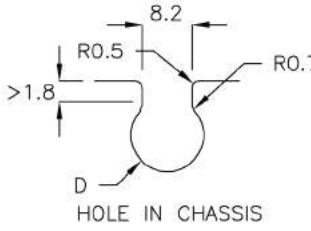
PART NO	A	B	C	D	E	PACKAGE
GSA-2C	∅16.0	7.0	6.3	∅10.5	9.0	500
GSA-2D	∅20.0	14.0	6.3	∅14.7	13.2	200

8-49-2



防震華司 SHOCK-ABSORB WASHER

MATERIAL: TPE
COLOR: BLACK



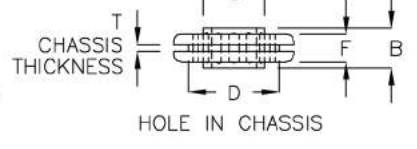
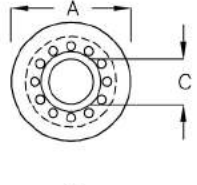
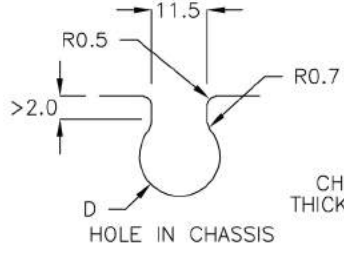
PART NO	A	B	C	D	T CHASSIS THICKNESS	PACKAGE
GSA-2H	∅12.7	5.4	∅4.8	∅9.2	1.0	1000

8-49-3

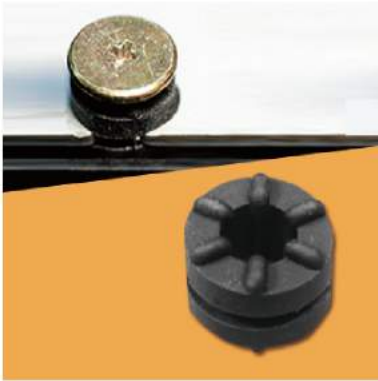


防震華司 SHOCK-ABSORB WASHER

MATERIAL: TPE
COLOR: BLACK

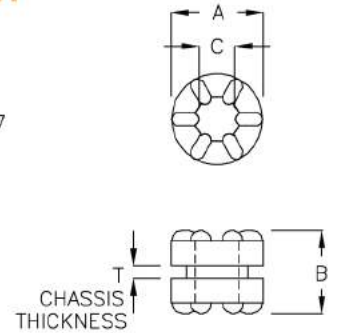
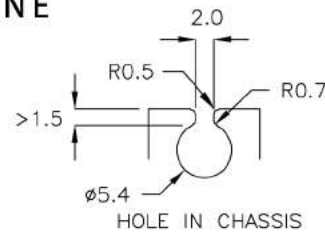


PART NO	A	B	C	F	G	D	T CHASSIS THICKNESS	PACKAGE
GSA-1A	∅16.5	5.45	∅6.2	3.85	∅8.4	∅12.5	0.85	500
GSA-2A	∅16.5	6.5	∅6.6	4.9	∅9.0	∅12.5	1.6	



防震華司 SHOCK-ABSORB WASHER

MATERIAL: SILICONE
COLOR: BLACK

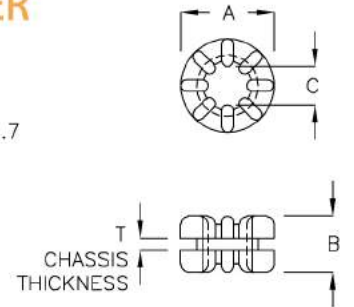
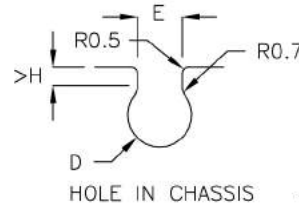


PART NO	A	B	C	T CHASSIS THICKNESS	PACKAGE
GSA-08	∅8.6	7.8	∅3.3	0.6~1.0	2000



防震華司 SHOCK-ABSORB WASHER

MATERIAL: TPE, SILICONE
COLOR: BLACK

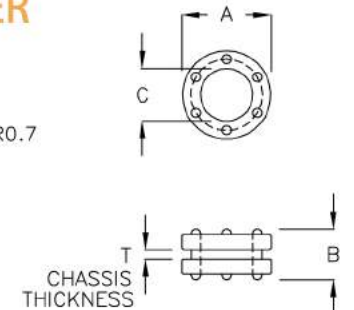
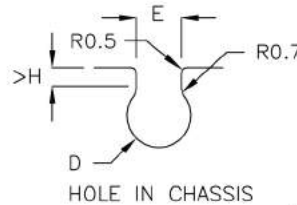


PART NO	MATERIAL	A	B	C	D	E	H	T CHASSIS THICKNESS	PACKAGE
GSA-7A	TPE	∅7.2	5.1	∅4.2	∅6.0	5.0	1.5	0.8	1000
GSA-8LM	TPE	∅7.8	4.5	∅4.0	∅5.8	4.2	1.5	1.0	2000
GSA-8QT	TPE	∅8.6	7.8	∅3.3	∅5.4	3.5	1.5	0.6~1.0	
GSA-010	TPE	∅9.6	5.8	∅3.9	∅6.3	5.0	1.8	1.2	1000
GSA-09	TPE	∅9.6	7.6	∅4.0	∅6.4	5.0	1.8	3.2	
GSA-9KP	TPE	∅9.6	4.6	∅4.3	∅6.5	5.0	1.9	1.0	
GSA-9SQ	TPE	∅9.6	5.8	∅3.9	∅6.3	5.0	4.5	0.8	
GSA-10A	TPE	∅9.6	5.8	∅3.9	∅6.3	5.0	4.5	1.0	
GSA-04	SILICONE	∅14.3	7.95	∅5.0	∅9.5	7.5	3.0	1.0	
GSA-14	TPE	∅14.3	8.2	∅4.7	∅9.5	7.5	3.0	1.6	
GSA-14A	TPE	∅14.3	9.5	∅5.6	∅9.5	7.5	3.0	3.2	

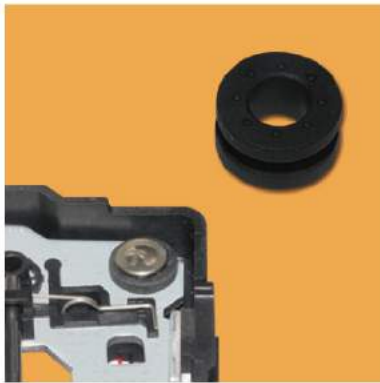


防震華司 SHOCK-ABSORB WASHER

MATERIAL: TPE
COLOR: BLACK

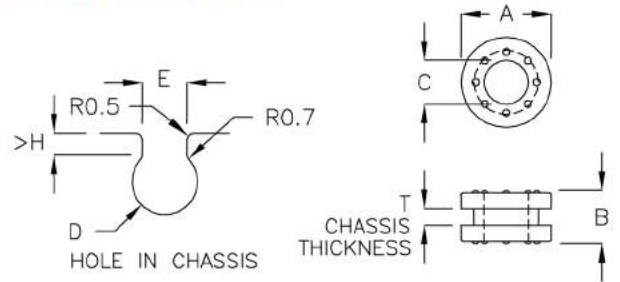


PART NO	A	B	C	D	E	H	T CHASSIS THICKNESS	PACKAGE
GSM-9F	∅9.5	5.4	∅5.6	∅7.5	6.1	1.8	1.0	1000



防震華司 SHOCK-ABSORB WASHER

MATERIAL: TPE
COLOR: BLACK

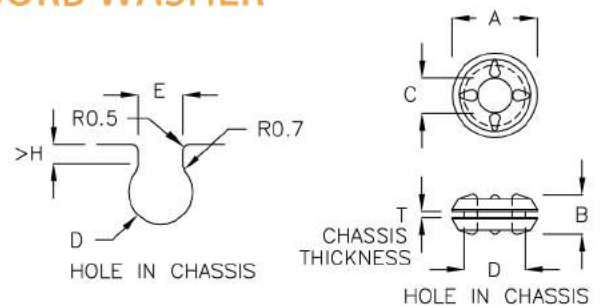


PART NO	A	B	C	D	E	H	T CHASSIS THICKNESS	PACKAGE
GSM-11K	∅11.5	6.8	∅5.6	∅8.4	7.0	2.8	2.0	500



防震華司 SHOCK-ABSORB WASHER

MATERIAL: TPE
COLOR: BLACK



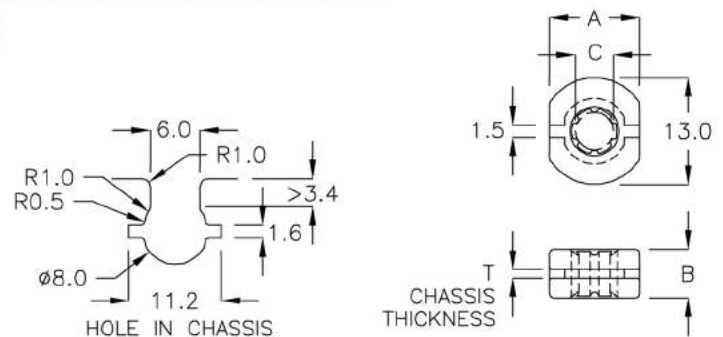
PART NO	A	B	C	D	E	H	T CHASSIS THICKNESS	PACKAGE
GSA-03	∅11.2	5.3	∅4.6	∅8.0	6.2	3.0	0.8	2000



防震華司 SHOCK-ABSORB WASHER

MATERIAL: TPE
COLOR: BLACK

NEW



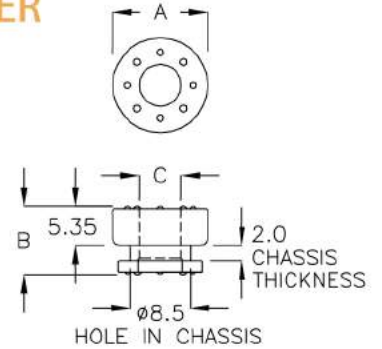
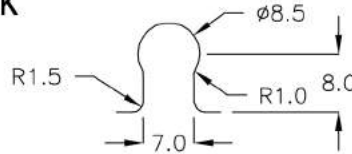
PART NO	A	B	C	T CHASSIS THICKNESS	PACKAGE
★ GSB-13K	11.0	5.9	∅4.6	1.0	1000

8-52-1



防震華司 SHOCK-ABSORB WASHER

MATERIAL: TPE
COLOR: BLACK



PART NO	A	B	C	PACKAGE
GSK-13A	φ13.0	9.35	φ5.6	1000

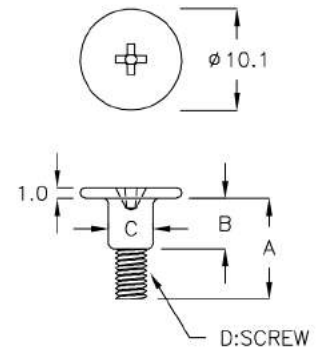
8-52-2



防震華司用螺絲 SCREW

MATERIAL: STEEL PLATING NI
COLOR: SILVER
D: SCREW

PART NO	A	B	C	D	PACKAGE
SWA-05	9.8	5.0	φ4.4	M3	2000
SWA-5DA	9.8	5.0	φ4.4	#6-32	
SWA-5F	11.0	5.0	φ4.4	M3	



ASSEMBLE WITH P.G PART GSA-010 (Page 8-50-2)

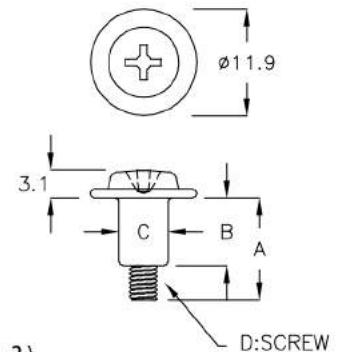
8-52-3



防震華司用螺絲 SCREW

MATERIAL: STEEL PLATING NI
COLOR: SILVER
D: SCREW

PART NO	A	B	C	D	PACKAGE
SWA-7A	11.3	7.5	φ5.4	M3	1000



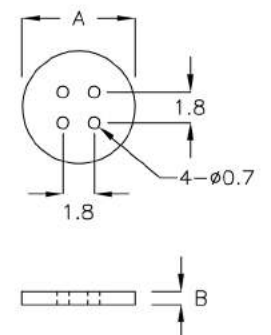
ASSEMBLE WITH P.G PART GSA-04 (Page 8-50-2)

8-52-4



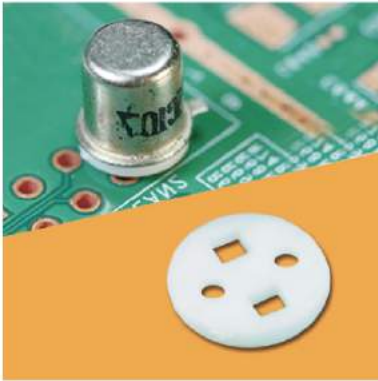
電晶體墊片 TRANSISTOR WASHER

MATERIAL: NYLON 66(UL)
FLAME CLASS: 94V-2
COLOR: NATURAL



PART NO	A	B	PACKAGE
TRC-201	φ6.5	0.75	2000

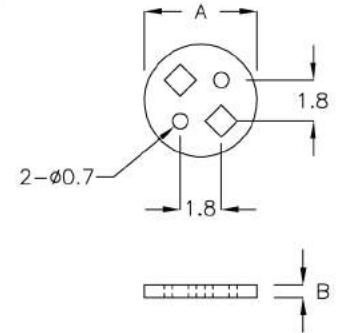
8-53-1



電晶體墊片 TRANSISTOR WASHER

MATERIAL: NYLON 66(UL)
FLAME CLASS: 94V-2
COLOR: NATURAL

PART NO	A	B	PACKAGE
TRC-202	ø5.0	0.75	2000



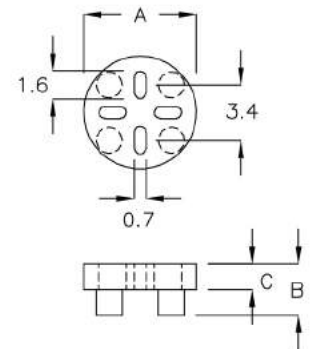
8-53-2



電晶體墊片 TRANSISTOR WASHER

MATERIAL: NYLON 66(UL)
FLAME CLASS: 94V-2
COLOR: NATURAL

PART NO	A	B	C	PACKAGE
TRC-301	ø6.5	3.0	1.5	2000
TRC-301M	ø6.5	1.6	1.0	



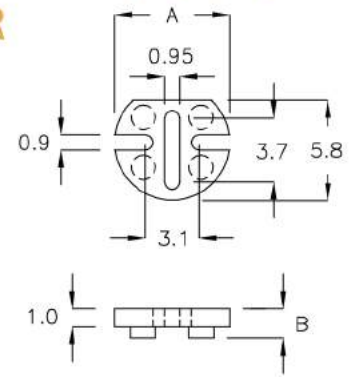
8-53-3



電晶體墊片 TRANSISTOR WASHER

MATERIAL: NYLON 66(UL)
FLAME CLASS: 94V-2
COLOR: NATURAL

PART NO	A	B	PACKAGE
TRC-301S	ø6.5	1.7	2000



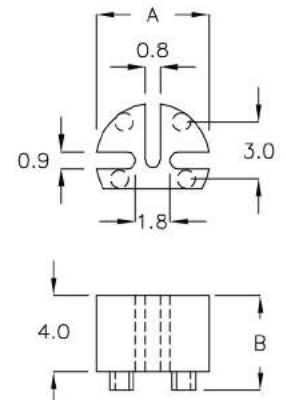
8-53-4



電晶體墊片 TRANSISTOR WASHER

MATERIAL: NYLON 66(UL)
FLAME CLASS: 94V-2
COLOR: BLACK

PART NO	A	B	PACKAGE
TRC-302	ø6.0	5.0	2000



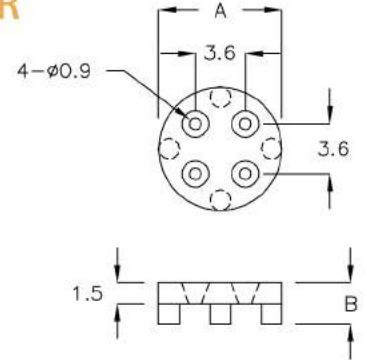
8-54-1



電晶體墊片 TRANSISTOR WASHER

MATERIAL: NYLON 66(UL)
FLAME CLASS: 94V-2
COLOR: NATURAL

PART NO	A	B	PACKAGE
TRC-501	ø8.9	3.0	2000
TRC-501A	ø8.9	4.5	



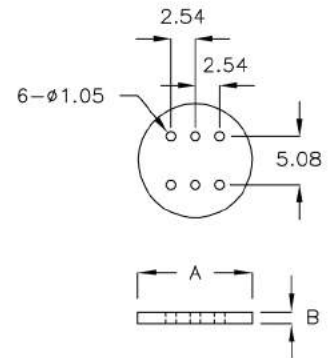
8-54-2



電晶體墊片 TRANSISTOR WASHER

MATERIAL: NYLON 66(UL)
FLAME CLASS: 94V-2
COLOR: NATURAL

PART NO	A	B	PACKAGE
TRC-601	ø12.0	1.2	2000



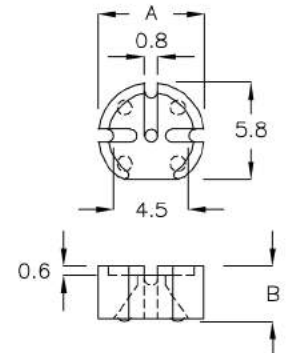
8-54-3



電晶體墊片 TRANSISTOR WASHER

MATERIAL: NYLON 66(UL)
FLAME CLASS: 94V-2
COLOR: BLACK

PART NO	A	B	PACKAGE
TRA-3A	ø6.4	3.4	2000



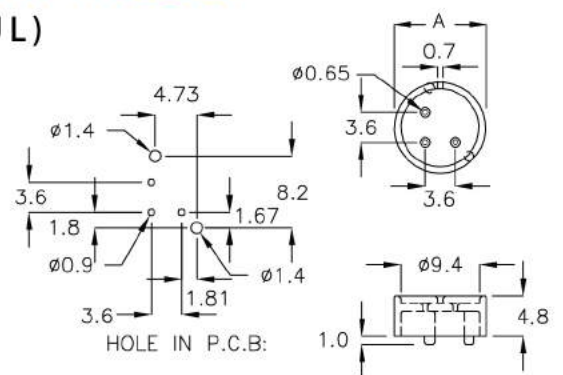
8-54-4



熱釋電紅外線感測器座 PIR HOLDER

MATERIAL: NYLON 66(UL)
FLAME CLASS: 94V-2
COLOR: BLACK

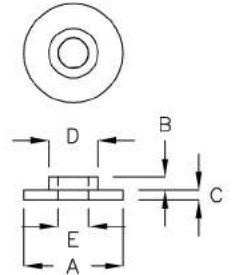
PART NO	A	PACKAGE
TQJ-04	ø11.0	500





華司 WASHER

MATERIAL: NYLON 66(UL)
 FLAME CLASS: 94V-2
 COLOR: NATURAL
 MATERIAL: TPE
 COLOR: BLACK
 MATERIAL: POM
 COLOR: NATURAL

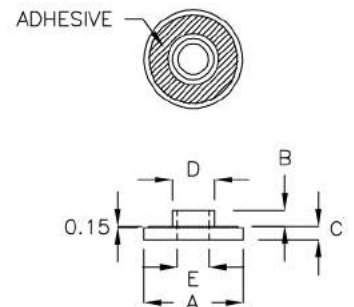


PART NO	MATERIAL	COLOR	A	B	C	D	E	PACKAGE
WSG-01	N66	NATURAL	ø10.0	1.8	1.0	ø5.0	ø3.1	2000
WSG-02	TPE	BLACK	ø10.0	1.8	1.0	ø5.5	ø4.0	
WSG-04	N66	NATURAL	ø5.6	0.6	0.8	ø3.85	ø2.9	
WSG-05	N66	NATURAL	ø12.85	0.8	1.6	ø9.5	ø6.4	
WSG-06	N66	NATURAL	ø12.0	3.0	3.2	ø6.2	ø3.0	
WSG-6A	N66	NATURAL	ø12.0	3.0	1.4	ø8.0	ø3.0	
WSG-07	N66	NATURAL	ø13.0	5.0	1.5	ø8.2	ø3.0	
WSG-9C	POM	NATURAL	ø9.0	1.5	1.0	ø6.3	ø4.5	
WSG-9Q	N66	NATURAL	ø7.2	0.7	1.0	ø5.2	ø3.2	
★ WSG-10BD	N66	BLACK	ø10.0	2.0	1.2	ø7.0	ø4.3	
WSG-10M	N66	NATURAL	ø13.0	2.4	1.7	ø7.9	ø6.6	2000
★ WSG-11B	N66	NATURAL	ø10.9	2.3	1.3	ø6.8	ø2.95	



華司 WASHER

MATERIAL: PPO(UL)
 FLAME CLASS: 94V-1
 COLOR: GRAY
 ADHESIVE TAPE: 3M

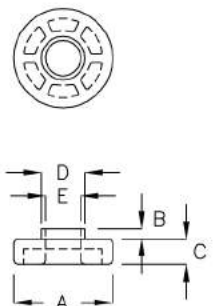


PART NO	A	B	C	D	E	PACKAGE
WSI-20P	ø20.0	3.35	2.65	ø8.4	ø6.4	1000



華司 WASHER

MATERIAL: NYLON 66(UL)
 FLAME CLASS: 94V-2
 COLOR: NATURAL



PART NO	A	B	C	D	E	PACKAGE
WSG-6C	ø12.0	1.2	3.1	ø5.3	ø4.3	2000

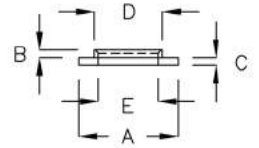
8-56-1



華司 WASHER

MATERIAL: NYLON 66(UL)
FLAME CLASS: 94V-2
COLOR: NATURAL

PART NO	A	B	C	D	E	PACKAGE
WSG-03	φ16.0	1.0	0.85	φ11.0	φ9.7	2000



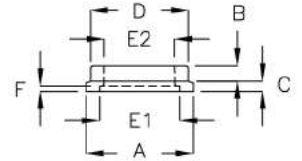
8-56-2



華司 WASHER

MATERIAL: NYLON 66(UL)
FLAME CLASS: 94V-2
COLOR: NATURAL

PART NO	A	B	C	D	E1	E2	F	PACKAGE
WSG-6F	φ12.50	1.4	0.75	φ11.5	φ9.30	φ8.1	0.45	2000
WSG-8A	φ12.35	1.4	0.75	φ11.4	φ9.35	φ8.15	0.45	



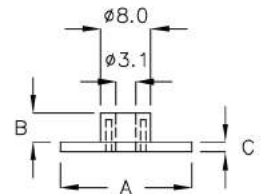
8-56-3



電晶體墊片 TRANSISTOR WASHER

MATERIAL: NYLON 66(UL)
FLAME CLASS: 94V-2
COLOR: NATURAL

PART NO	A	B	C	PACKAGE
821	φ21.0	4.6	1.6	500



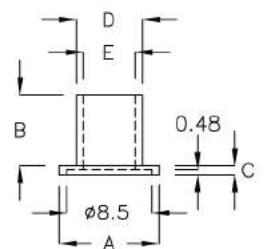
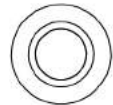
8-56-4



華司 WASHER

MATERIAL: NYLON 66(UL)
FLAME CLASS: 94V-2
COLOR: NATURAL

PART NO	A	B	C	D	E	PACKAGE
WWA-01	φ10.0	7.1	0.9	φ6.6	φ5.2	1000



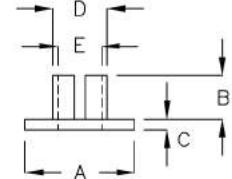
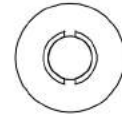
8-57-1



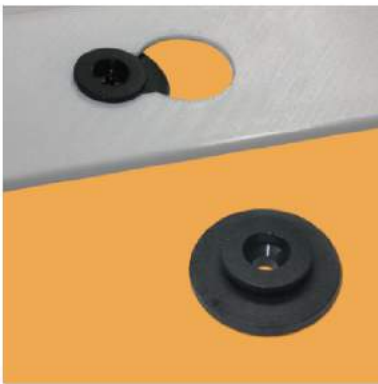
華司 WASHER

MATERIAL: NYLON 66(UL)
FLAME CLASS: 94V-2
COLOR: NATURAL, BLACK

PART NO	A	B	C	D	E	PACKAGE
WSE-01	∅10.0	4.0	1.0	∅5.0	∅4.0	2000
WSE-02	∅15.8	3.8	1.5	∅8.6	∅6.5	
WSE-03	∅15.9	4.3	1.0	∅8.6	∅6.5	



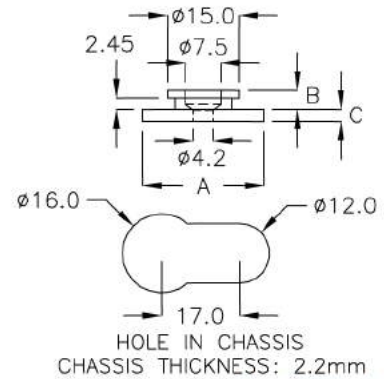
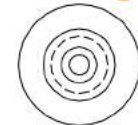
8-57-2



華司 WASHER

MATERIAL: NYLON 66(UL)
FLAME CLASS: 94V-2
COLOR: BLACK

PART NO	A	B	C	PACKAGE
WSNA-25K	∅25.3	3.95	2.5	500



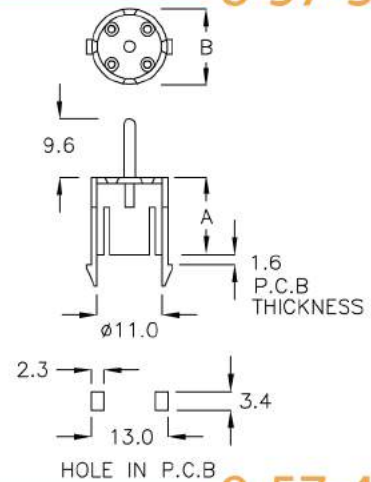
8-57-3



電感保護罩 INSULATED CAP

MATERIAL: NYLON 66(UL)
FLAME CLASS: 94V-2
COLOR: BLACK

PART NO	A	B	PACKAGE
CAP-01	13.0	∅13.0	500



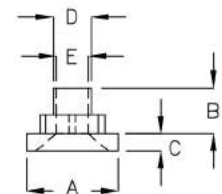
8-57-4



電晶體墊片 TRANSISTOR WASHER

MATERIAL: NYLON 66(UL)
FLAME CLASS: 94V-0
COLOR: NATURAL

PART NO	A	B	C	D	E	PACKAGE
60M-16	∅8.5	4.35	1.6	∅3.5	∅3.0	2000



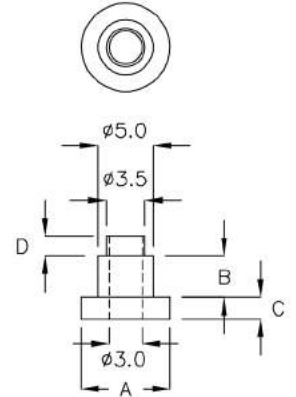
8-58-1



電晶體墊片 TRANSISTOR WASHER

MATERIAL: NYLON 66(UL)
 FLAME CLASS: 94V-2
 COLOR: NATURAL

PART NO	A	B	C	D	PACKAGE
807	ø8.0	3.7	2.0	1.8	2000
807S	ø8.0	2.9	2.0	1.8	



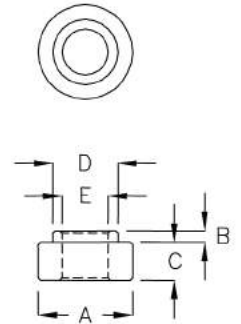
8-58-2



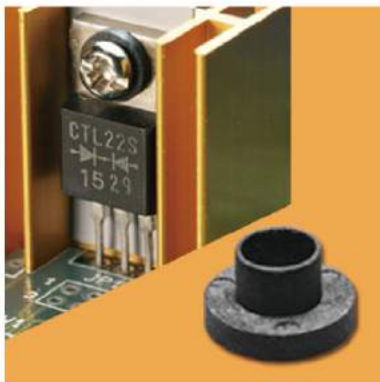
電晶體墊片 TRANSISTOR WASHER

MATERIAL: PPS(UL)
 FLAME CLASS: 94V-0
 COLOR: BLACK

PART NO	A	B	C	D	E	PACKAGE
40M-2H	ø4.2	0.5	1.7	ø2.9	ø2.05	2000



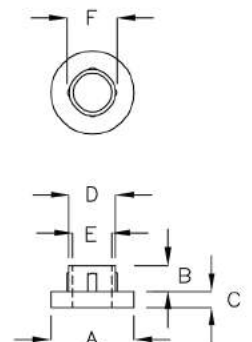
8-58-3



電晶體墊片 TRANSISTOR WASHER

MATERIAL: PPS(UL)
 FLAME CLASS: 94V-0
 COLOR: BLACK

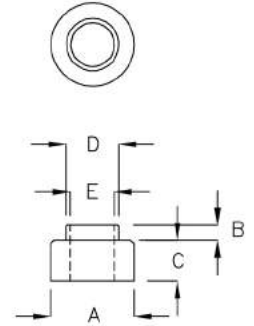
PART NO	A	B	C	D	E	F	PACKAGE
60T-12	ø6.4	2.0	1.2	3.7	3.0	3.76	2000
60T-20	ø6.4	2.0	1.2	3.6	3.0	3.86	





電晶體墊片 TRANSISTOR WASHER

MATERIAL: NYLON 46(UL)
 FLAME CLASS: 94V-0
 COLOR: BLACK

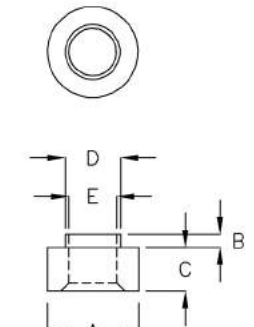


PART NO	A	B	C	D	E	PACKAGE
60K-29	ø6.0	1.1	2.9	ø3.8	ø3.2	2000
60K-28C	ø6.0	1.0	2.8	ø3.8	ø3.2	
602-46-1	ø6.1	1.6	1.4	ø3.5	ø3.0	



電晶體墊片 TRANSISTOR WASHER

MATERIAL: NYLON 66(UL)
 FLAME CLASS: 94V-0
 COLOR: NATURAL

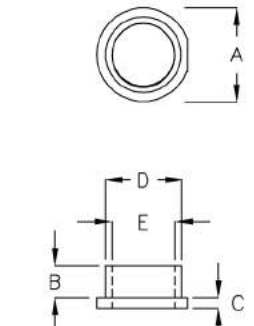


PART NO	A	B	C	D	E	PACKAGE
603FK	ø6.0	0.8	2.8	ø3.6	ø3.1	2000

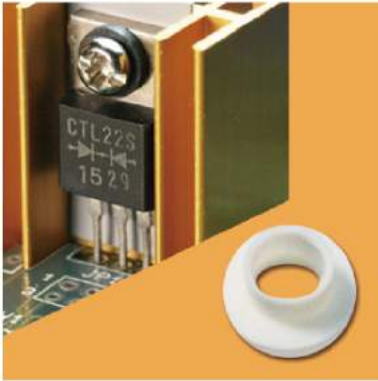


電晶體墊片 TRANSISTOR WASHER

MATERIAL: PPS(UL)
 FLAME CLASS: 94V-0
 COLOR: BLACK



PART NO	A	B	C	D	E	PACKAGE
603QT	ø4.4	1.5	0.5	ø3.55	ø2.95	2000



電晶體墊片 TRANSISTOR WASHER

MATERIAL: NYLON 66(UL)

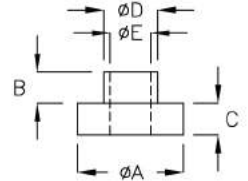
FLAME CLASS: 94V-2

COLOR: NATURAL

OPTIONAL MATERIAL:

NYLON 46(UL), PPS(UL)

OPTIONAL FLAME CLASS: 94V-0



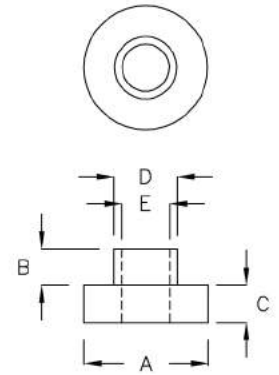
PART NO	A	B	C	D	E	PACKAGE
601	4.6	2.4	1.2	3.0	2.3	2000
601A	3.6	2.8	1.0	3.0	1.8	
601C	3.6	2.8	1.0	3.0	2.0	
601D	6.0	4.5	1.0	3.05	2.5	
601F	8.0	3.9	0.5	6.0	3.5	
601H	6.0	4.0	1.5	3.0	2.5	
601J	6.0	0.9	2.5	3.0	2.2	
601M	5.0	1.7	1.0	3.0	2.2	
601Q	5.5	2.15	1.05	3.65	2.55	
601R	5.7	1.75	0.95	3.55	2.95	
601S	5.4	0.8	1.0	3.4	2.90	
601W	5.0	1.0	0.8	3.0	2.0	
602	6.0	1.6	1.3	3.55	2.95	
602K	6.1	1.4	1.5	3.55	2.95	
602KD	6.2	0.6	1.2	3.55	2.95	
602L	6.0	1.5	1.5	3.6	3.0	
602M	6.1	1.5	1.2	3.55	2.95	
602MS	6.1	1.4	1.2	3.55	2.95	
602S	6.0	1.2	1.3	3.55	2.95	
602W	6.2	2.4	1.9	3.55	3.0	
602Y	6.0	1.6	1.3	3.55	3.0	
602YH	5.0	1.6	1.3	3.5	3.0	
603	6.1	2.2	1.9	3.55	2.95	
603A	6.2	2.9	1.9	3.6	2.95	
603AG	6.1	0.8	2.0	3.55	2.95	
603D	6.0	2.5	1.2	3.5	2.7	
603GK	4.7	3.25	0.7	3.55	3.0	
603K	6.1	2.0	1.4	3.55	2.95	
603L	6.0	2.0	2.0	3.55	2.95	
603M	6.0	2.3	1.8	3.55	2.95	
603MK	6.2	2.4	1.9	3.5	3.0	
603NJ	5.0	2.0	1.9	3.5	3.0	

PART NO	A	B	C	D	E	PACKAGE
603P	6.0	2.3	1.8	3.55	3.0	2000
603QH	5.0	2.4	1.9	3.5	3.0	
603S	6.1	1.5	2.0	3.55	2.95	
603T	7.0	2.4	1.3	3.55	3.0	
603U	6.2	3.0	1.9	3.55	3.0	
603W	6.1	1.5	2.0	3.55	2.95	
603Y	6.1	2.25	2.0	3.55	2.95	
604	6.0	3.2	2.0	3.55	2.95	
604C	6.2	3.6	1.2	3.55	2.95	
604HQ	6.2	3.1	1.5	3.5	2.95	
604K	6.2	3.1	1.0	3.55	2.95	
604L	6.4	2.0	1.3	3.55	2.95	
604M	6.3	2.6	2.0	3.55	2.95	
604P	6.0	2.54	2.0	3.50	2.88	
604PH	5.0	2.4	1.9	3.1	2.5	
604S	6.0	3.1	1.5	3.55	2.95	
604V	6.2	3.1	1.5	3.55	2.95	
605	8.0	5.7	1.2	3.5	2.95	
605A	6.0	5.7	1.2	3.5	2.95	
605AF	6.3	1.5	2.5	3.9	3.2	
605F	12.0	5.7	2.7	3.95	2.95	
605K	10.0	5.7	2.2	3.95	2.95	
605MF	6.35	2.07	1.02	4.3	3.08	
605N	6.4	2.0	1.2	3.50	3.0	
605S	7.9	1.5	1.0	3.6	3.0	
605T	6.4	3.0	1.5	3.5	3.0	
605U	6.0	1.5	0.5	3.6	3.0	
605W	6.35	2.05	1.0	4.1	3.15	
606	6.5	1.7	3.0	4.25	3.2	
606A	8.0	6.3	1.2	3.55	2.90	
606S	6.5	1.7	2.5	4.15	3.2	
608L	6.0	7.7	1.0	3.55	2.95	



電晶體墊片 TRANSISTOR WASHER

MATERIAL: NYLON 66(UL)
FLAME CLASS: 94V-2
COLOR: NATURAL
OTHER MATERIAL: NYLON 46(UL)
OPTIONAL FLAME CLASS: 94V-0
808 MATERIAL: PBT(UL)
706A MATERIAL: PPS(UL)



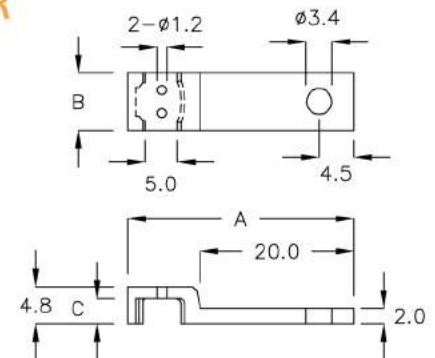
PART NO	φA	B	C	φD	φE	PACKAGE
701	7.0	4.4	2.0	3.55	2.95	2000
702A	7.1	0.8	1.2	3.68	3.0	
703	7.0	2.5	2.0	5.0	2.95	
704	7.0	5.8	2.0	5.0	3.0	
704A	7.0	3.0	1.0	5.0	4.0	
705	7.0	4.0	1.0	5.0	4.0	
706A	7.0	2.5	1.0	3.5	3.1	
706C	7.0	1.65	1.05	4.5	2.35	
706D	7.0	1.65	0.8	4.5	2.35	
801	8.1	0.8	1.0	4.9	3.1	
801A	8.0	0.9	2.0	4.4	3.2	
801C	8.0	0.9	2.0	4.65	4.0	
802	8.0	2.5	2.0	3.7	2.95	
803	8.1	2.7	1.2	3.90	3.0	
803A	8.0	2.4	1.3	3.55	2.95	
803K	11.8	1.9	0.5	6.0	4.0	
804	8.0	3.0	3.2	4.65	3.1	
804A	8.0	5.1	1.0	4.55	3.65	
804C	8.0	0.9	3.2	4.65	3.1	
805	7.8	3.65	1.2	5.9	3.1	
805A	7.9	2.5	1.2	5.9	3.2	
805B	8.1	6.65	1.25	6.0	3.1	
805C	8.0	1.2	4.0	3.5	3.0	

PART NO	φA	B	C	φD	φE	PACKAGE
806	8.0	1.9	1.45	3.9	3.2	2000
806F	8.0	2.7	1.3	3.5	2.5	
806H	8.0	2.7	1.3	3.05	2.5	
807B	9.0	3.75	2.0	6.0	3.0	
808	9.6	0.65	1.55	6.0	3.65	
808A	9.5	1.2	2.0	6.2	3.8	
808D	9.5	1.55	0.8	4.95	4.35	
808F	8.8	2.0	0.8	5.0	4.1	
809	10.0	4.0	1.0	5.0	4.0	
809A	10.0	3.0	1.0	5.0	4.0	
811	10.8	3.8	2.0	7.9	5.3	1000
811A	10.9	7.25	1.1	5.0	4.0	
812	11.8	2.0	2.0	5.9	3.0	
812A	12.3	9.0	1.1	5.3	4.5	
812C	11.8	2.0	1.2	5.9	3.0	2000
812D	12.7	1.6	1.6	7.96	3.58	
812L	11.9	3.0	2.6	7.9	4.0	500
813K	11.0	3.5	1.5	6.9	4.3	
814	14.0	18.9	1.3	6.6	5.1	
815	15.9	1.65	2.0	5.9	3.1	
817A	15.0	13.0	2.0	9.9	8.1	
901	19.2	1.6	3.25	12.7	9.5	



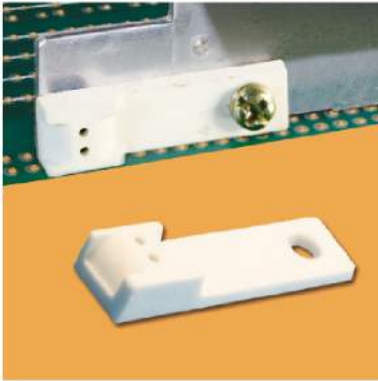
電晶體蓋 TRANSISTOR COVER

MATERIAL: PBT(UL)
FLAME CLASS: 94V-0
COLOR: NATURAL



PART NO	A	B	C	PACKAGE
HU-19	29.5	7.5	3.3	1000

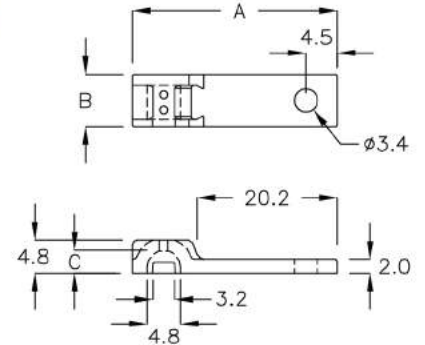
8-62-1



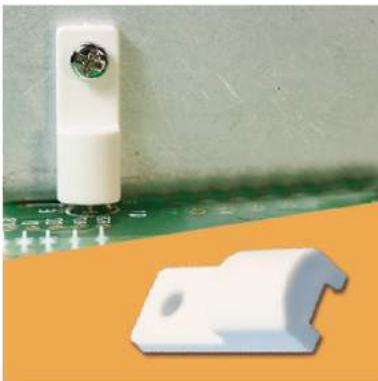
電晶體蓋 TRANSISTOR COVER

MATERIAL: PBT(UL)
FLAME CLASS: 94V-0
COLOR: NATURAL

PART NO	A	B	C	PACKAGE
HU-19A	29.5	7.5	3.3	1000



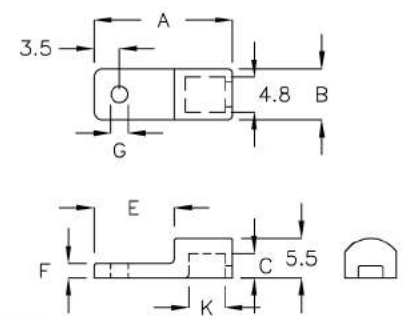
8-62-2



電晶體蓋 TRANSISTOR COVER

MATERIAL: PBT(UL)
FLAME CLASS: 94V-0
COLOR: NATURAL

PART NO	A	B	C	E	F	G	K	PACKAGE
HUK-01	19.0	7.0	3.4	11.0	2.0	∅2.4	5.0	1000
HUK-2A	15.0	7.0	3.6	7.0	2.0	∅3.2	5.5	



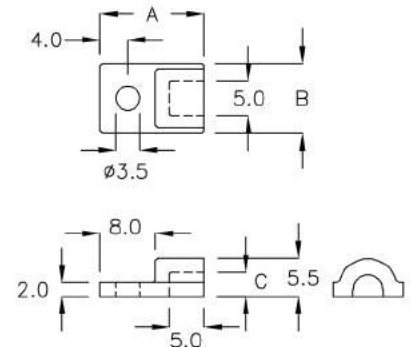
8-62-3



電晶體蓋 TRANSISTOR COVER

MATERIAL: PBT(UL)
FLAME CLASS: 94V-0
COLOR: NATURAL

PART NO	A	B	C	PACKAGE
HUK-7Y	15.0	10.0	3.3	1000



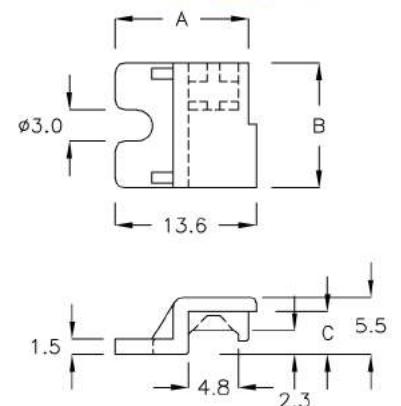
8-62-4



電晶體蓋 TRANSISTOR COVER

MATERIAL: PBT(UL)
FLAME CLASS: 94V-0
COLOR: NATURAL

PART NO	A	B	C	PACKAGE
HU-07T	12.9	12.0	4.1	1000



8-63-1

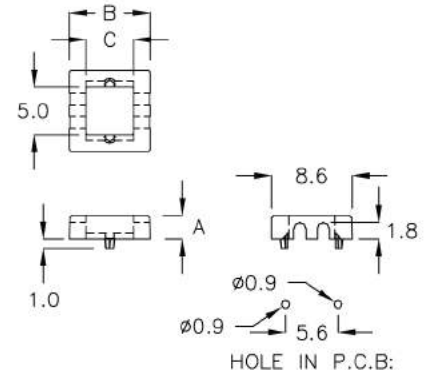
光電耦合器保護蓋 OPTICAL COUPLER COVER



MATERIAL: PC(UL)
FLAME CLASS: 94V-2
COLOR: BLACK



PART NO	A	B	C	PACKAGE
HUJ-01	2.5	8.6	5.0	2000
HUJ-1FD	3.0	8.6	5.0	
HUJ-2MK	2.5	11.6	8.0	



8-63-2

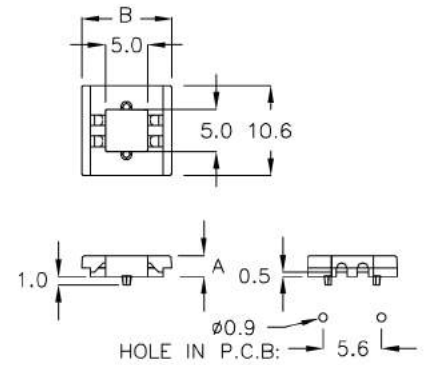
光電耦合器保護蓋 OPTICAL COUPLER COVER



MATERIAL: PC(UL)
FLAME CLASS: 94V-2
COLOR: BLACK



PART NO	A	B	PACKAGE
HUJ-3RS	2.5	10.6	1000



8-63-3

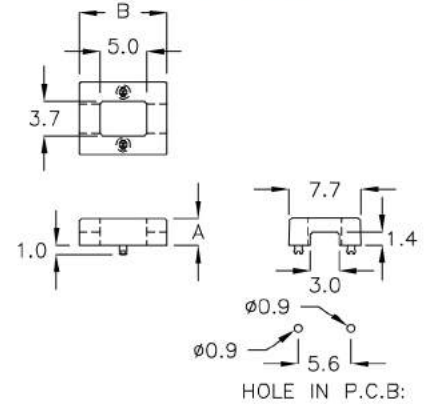
光電耦合器保護蓋 OPTICAL COUPLER COVER



MATERIAL: PC(UL)
FLAME CLASS: 94V-2
COLOR: BLACK



PART NO	A	B	PACKAGE
HUJ-2A	2.4	9.4	2000
HUJ-2XY	2.9	9.4	



8-63-4

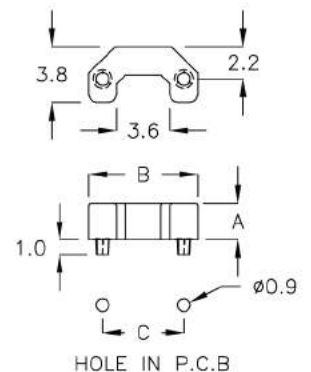
IC保護蓋 IC COVER



MATERIAL: PC(UL)
FLAME CLASS: 94V-2
COLOR: BLACK



PART NO	A	B	C	PACKAGE
MPT-7PN	2.5	7.4	5.5	2000



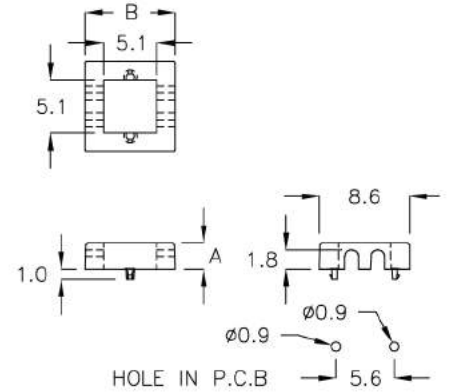
光電耦合器保護蓋 OPTICAL COUPLER COVER



MATERIAL: PC(UL)
FLAME CLASS: 94V-2
COLOR: BLACK



PART NO	A	B	PACKAGE
HJA-2D	2.5	8.6	2000



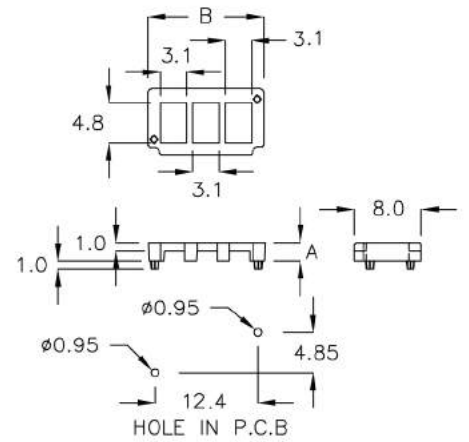
IC保護蓋 IC COVER



MATERIAL: PC(UL)
FLAME CLASS: 94V-2
COLOR: BLACK



PART NO	A	B	PACKAGE
HUJ-4HN	2.2	13.9	1000



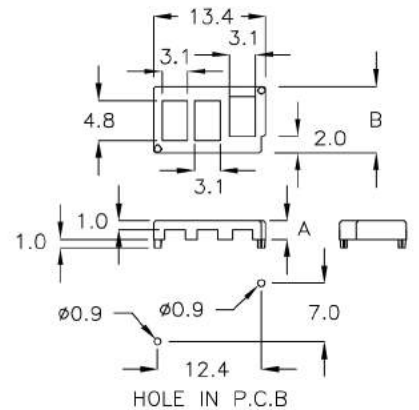
IC保護蓋 IC COVER



MATERIAL: PC(UL)
FLAME CLASS: 94V-2
COLOR: BLACK



PART NO	A	B	PACKAGE
HUJ-4QM	2.2	8.0	1000



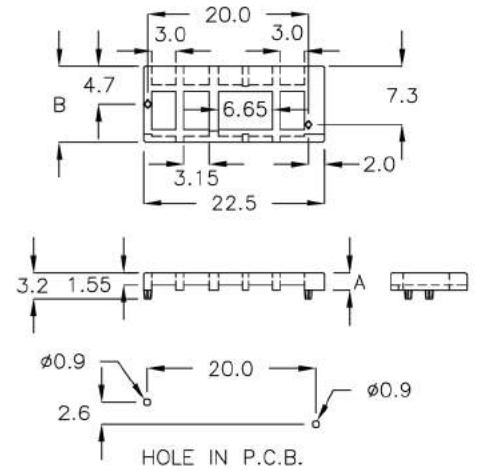
8-65-1



IC保護蓋 IC COVER

MATERIAL: PC(UL)
FLAME CLASS: 94V-2
COLOR: BLACK

PART NO	A	B	PACKAGE
HUJ-4CR	2.2	9.5	1000



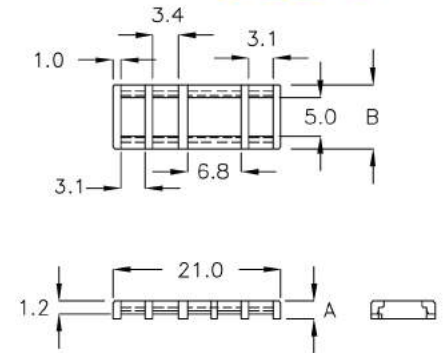
8-65-2



IC保護蓋 IC COVER

MATERIAL: NYLON 66(UL)
FLAME CLASS: 94V-2
COLOR: BLACK

PART NO	A	B	PACKAGE
HUT-2CD	2.2	8.2	1000



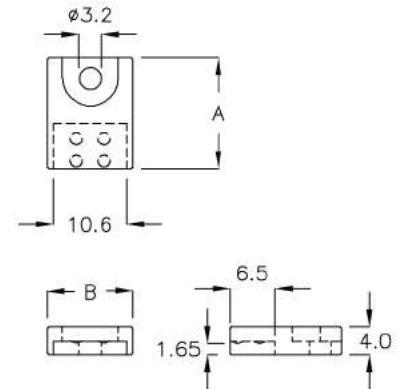
8-65-3



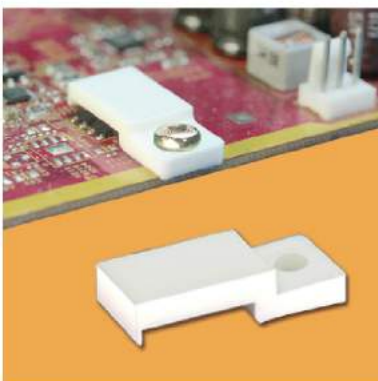
IC保護蓋 IC COVER

MATERIAL: NYLON 66(UL)
FLAME CLASS: 94V-2
COLOR: NATURAL

PART NO	A	B	PACKAGE
ICC-16	16.0	12.2	1000



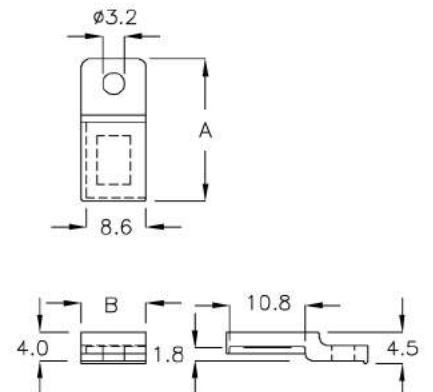
8-65-4



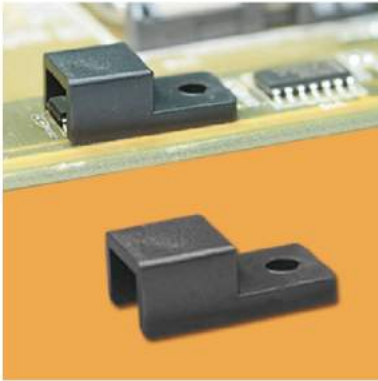
IC保護蓋 IC COVER

MATERIAL: NYLON 66(UL)
FLAME CLASS: 94V-2
COLOR: NATURAL

PART NO	A	B	PACKAGE
ICA-20A	20.4	9.3	500

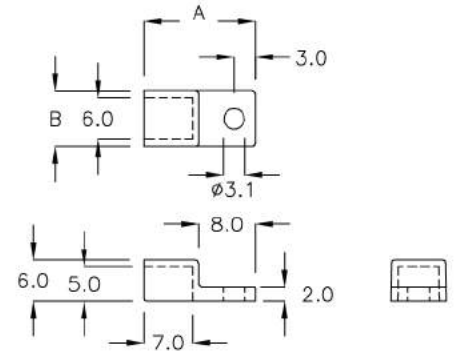


8-66-1



IC保護蓋 IC COVER

MATERIAL: NYLON 66(UL)
FLAME CLASS: 94V-2
COLOR: BLACK



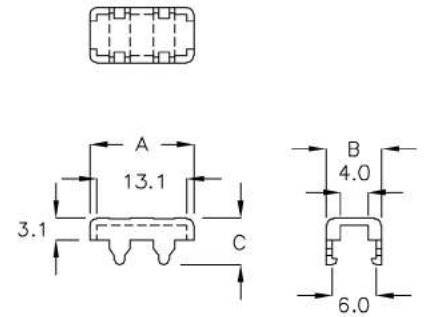
PART NO	A	B	PACKAGE
HUQ-16	16.0	8.0	500

8-66-2



保護蓋 HOLE PROTECTOR

MATERIAL: NYLON 66(UL)
FLAME CLASS: 94V-0
COLOR: NATURAL



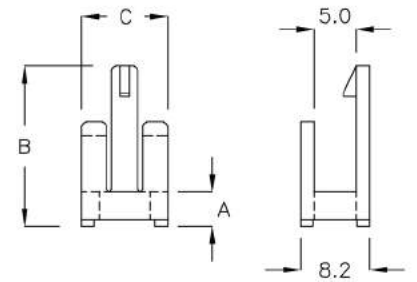
PART NO	A	B	C	PACKAGE
MPR-05	15.1	8.0	6.8	1000

8-66-3



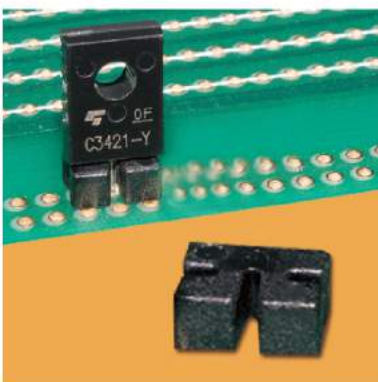
電晶體座 TRANSISTOR HOUSING

MATERIAL: NYLON 66(UL)
FLAME CLASS: 94V-2
COLOR: BLACK
FOR TO-220 TRANSISTOR



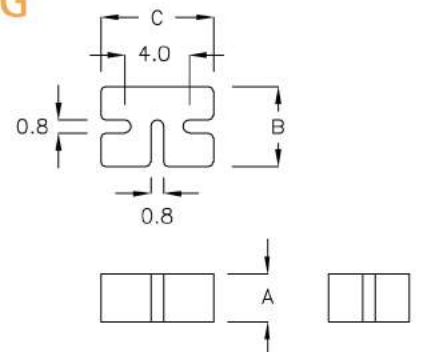
PART NO	A	B	C	PACKAGE
TRR-4A	4.1	19.2	10.3	1000

8-66-4



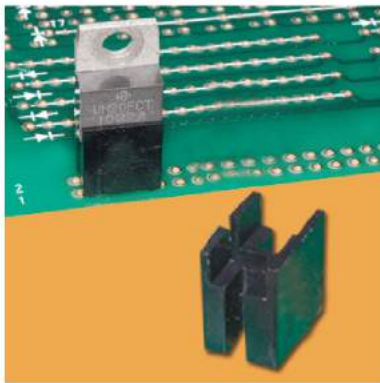
電晶體座 TRANSISTOR HOUSING

MATERIAL: NYLON 66(UL)
FLAME CLASS: 94V-2
COLOR: BLACK



PART NO	A	B	C	PACKAGE
TR-01A	3.0	5.0	7.0	2000

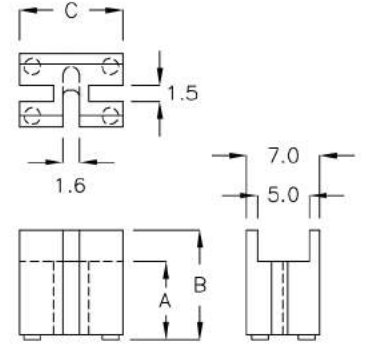
8-67-1



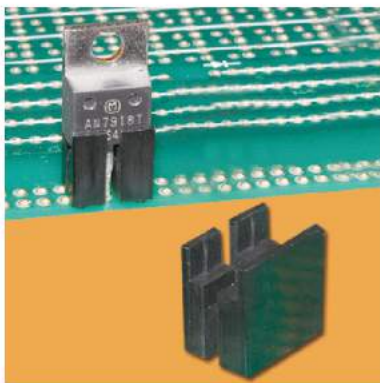
電晶體座 TRANSISTOR HOUSING

MATERIAL: NYLON 66(UL)
FLAME CLASS: 94V-2
COLOR: BLACK
FOR TO-220 TRANSISTOR

PART NO	A	B	C	PACKAGE
TR-01	7.6	10.5	10.0	1000



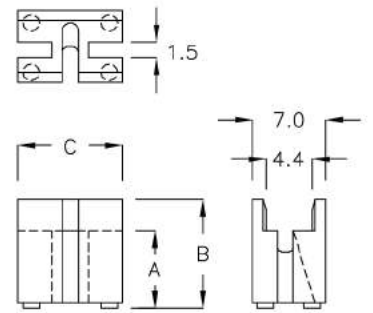
8-67-2



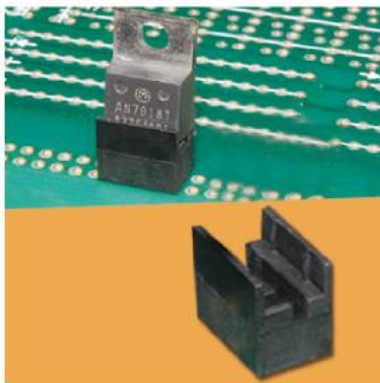
電晶體座 TRANSISTOR HOUSING

MATERIAL: NYLON 66(UL)
FLAME CLASS: 94V-2
COLOR: BLACK
FOR TO-220 TRANSISTOR

PART NO	A	B	C	PACKAGE
TR-01C	7.5	10.5	10.0	1000



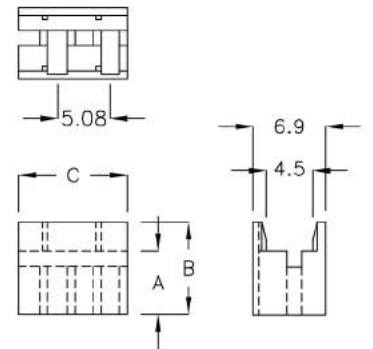
8-67-3



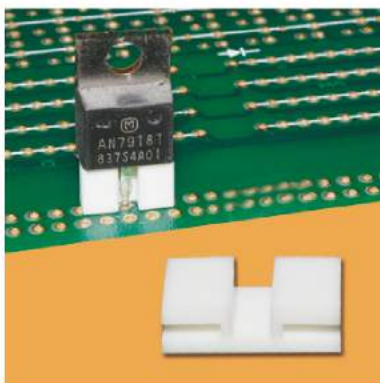
電晶體座 TRANSISTOR HOUSING

MATERIAL: NYLON 66(UL)
FLAME CLASS: 94V-2
COLOR: BLACK

PART NO	A	B	C	PACKAGE
TR-01D	6.1	9.0	10.5	1000



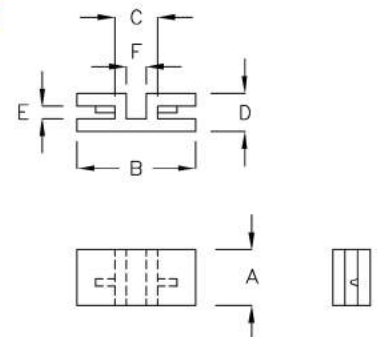
8-67-4



電晶體座 TRANSISTOR HOUSING

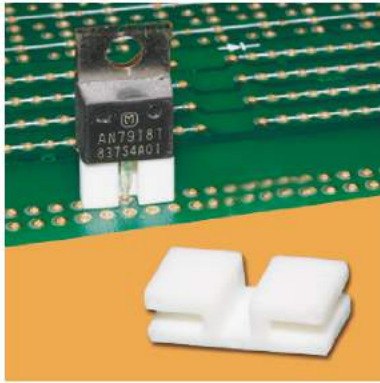
MATERIAL: PBT,NYLON 66(UL)
COLOR: NATURAL

PART NO	MATERIAL	A	B	C	D	E	F	SUITABLE TRANSISTOR	PACKAGE
TR-01H	PBT VO	4.5	9.5	3.4	3.0	1.0	1.6	TO-220	2000
TR-1MK	N66 V2	8.0	14.7	7.0	4.0	1.2	3.6	TO-247	



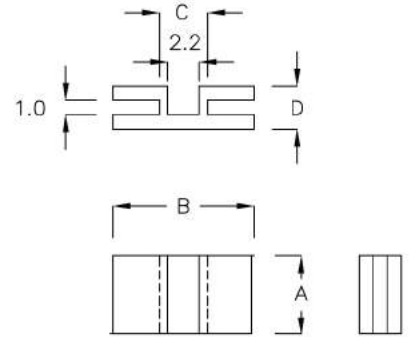
8-68-1

電晶體座 TRANSISTOR HOUSING



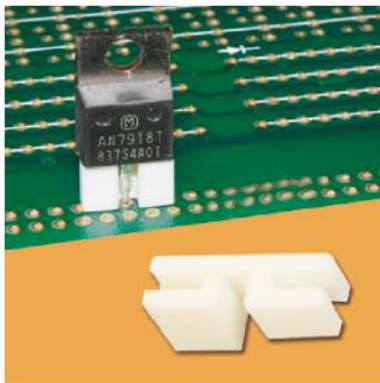
MATERIAL: PBT(UL)
FLAME CLASS: 94V-0
COLOR: NATURAL

PART NO	A	B	C	D	PACKAGE
TR-01F	5.5	10.0	3.4	3.0	2000



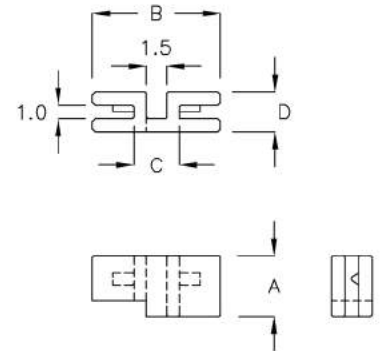
8-68-2

電晶體座 TRANSISTOR HOUSING



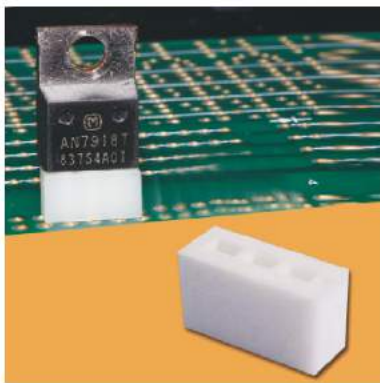
MATERIAL: PBT(UL)
FLAME CLASS: 94V-0
COLOR: NATURAL

PART NO	A	B	C	D	PACKAGE
TR-1YQ	4.5	9.45	3.4	3.0	2000



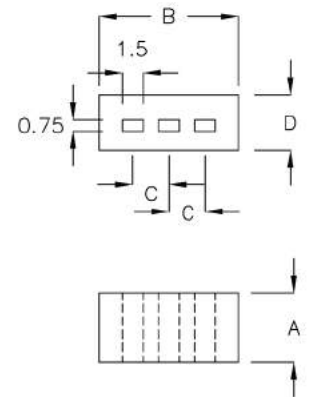
8-68-3

電晶體座 TRANSISTOR HOUSING



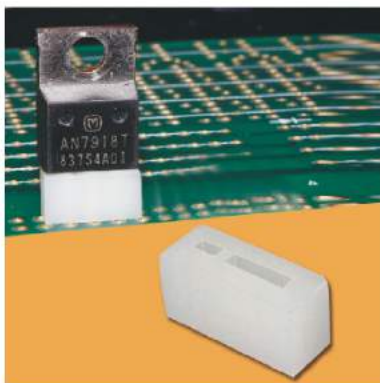
MATERIAL: NYLON 66(UL)
FLAME CLASS: 94V-2
COLOR: NATURAL
FOR TO-220 TRANSISTOR
***FOR TO-3P TRANSISTOR**

PART NO	A	B	C	D	PACKAGE
TR-02	5.0	10.0	2.6	4.0	2000
*TR-02A	5.0	15.0	5.75	4.0	
TR-02C	3.7	10.0	2.7	3.7	



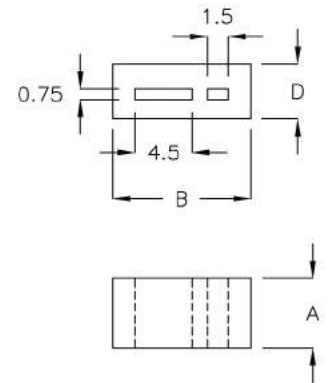
8-68-4

電晶體座 TRANSISTOR HOUSING



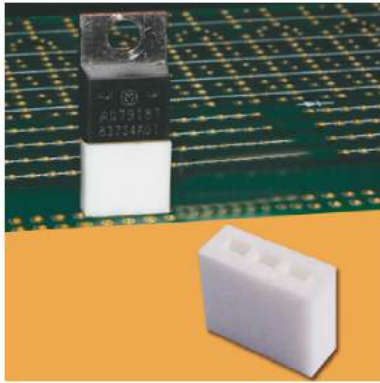
MATERIAL: NYLON 66(UL)
FLAME CLASS: 94V-2
COLOR: NATURAL
FOR TO-220 TRANSISTOR

PART NO	A	B	D	PACKAGE
TR-02D	5.0	10.0	4.0	2000



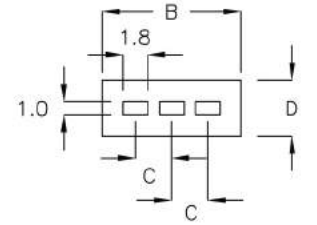
8-69-1

電晶體座 TRANSISTOR HOUSING



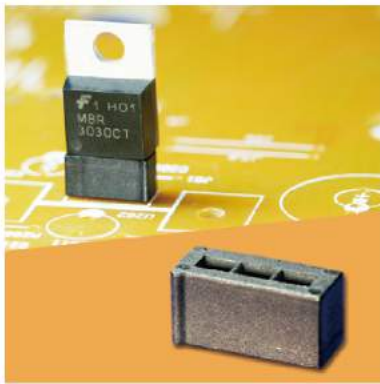
MATERIAL: NYLON 66(UL)
FLAME CLASS: 94V-2
COLOR: NATURAL
FOR TO-220 TRANSISTOR

PART NO	A	B	C	D	PACKAGE
TR-02F	8.5	10.0	2.6	4.0	1000
TR-02H	9.5	10.0	2.6	4.0	



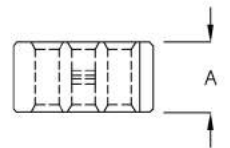
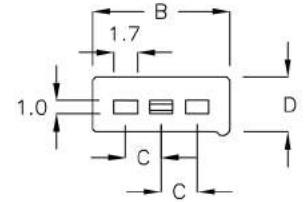
8-69-2

電晶體座 TRANSISTOR HOUSING



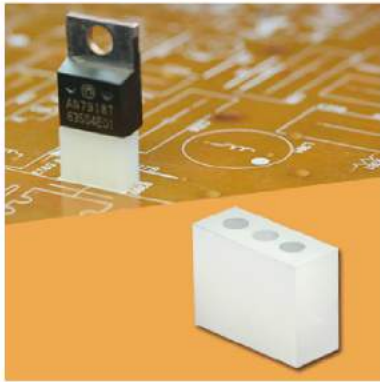
MATERIAL: NYLON 66(UL)
FLAME CLASS: 94V-0
COLOR: BLACK
FOR TO-220 TRANSISTOR

PART NO	A	B	C	D	PACKAGE
TR-2QM	5.0	10.0	2.6	4.0	2000



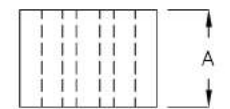
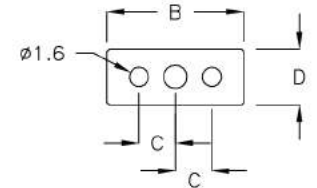
8-69-3

電晶體座 TRANSISTOR HOUSING



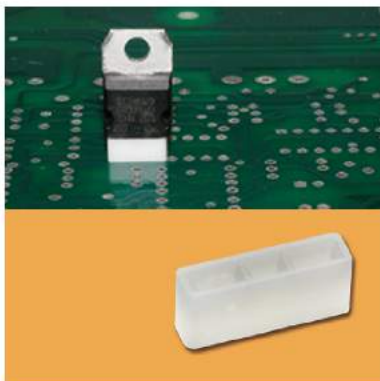
MATERIAL: NYLON 66(UL)
FLAME CLASS: 94V-2
COLOR: NATURAL
FOR TO-220 TRANSISTOR

PART NO	A	B	C	D	PACKAGE
TRZ-07	7.0	9.8	2.6	4.0	1000



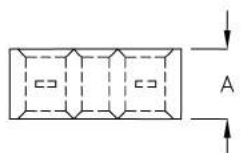
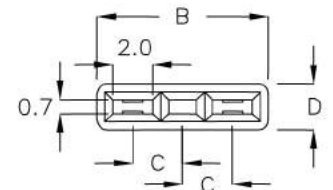
8-69-4

電晶體座 TRANSISTOR HOUSING



MATERIAL: NYLON 66(UL)
FLAME CLASS: 94V-0
COLOR: NATURAL
FOR TO-220 TRANSISTOR

PART NO	A	B	C	D	PACKAGE
TR-2DC	3.5	8.6	2.5	2.3	2000



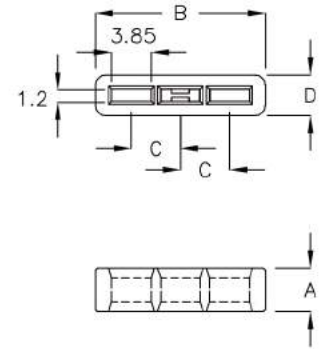
8-70-1

電晶體座 TRANSISTOR HOUSING

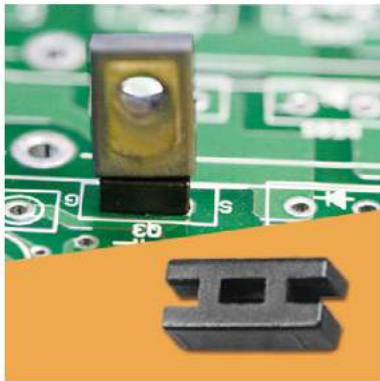


MATERIAL: NYLON 66(UL)
FLAME CLASS: 94V-2
COLOR: NATURAL, BLACK
FOR TO-247 TRANSISTOR

PART NO	A	B	C	D	PACKAGE
TR-2HK	4.3	15.0	4.8	2.8	2000
TR-2WS	4.3	16.5	4.8	4.0	

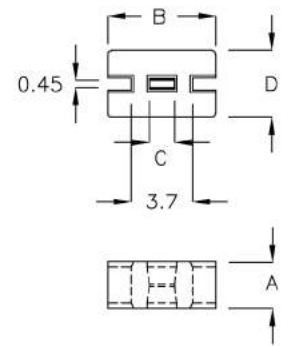


電晶體座 TRANSISTOR HOUSING



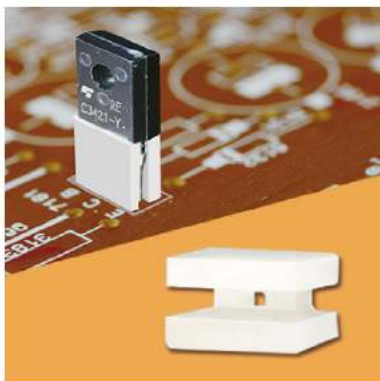
MATERIAL: NYLON 66(UL)
FLAME CLASS: 94V-2
COLOR: BLACK

PART NO	A	B	C	D	PACKAGE
TRK-2A	2.8	6.5	1.5	3.0	2000



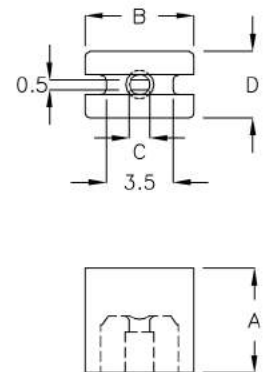
8-70-3

電晶體座 TRANSISTOR HOUSING

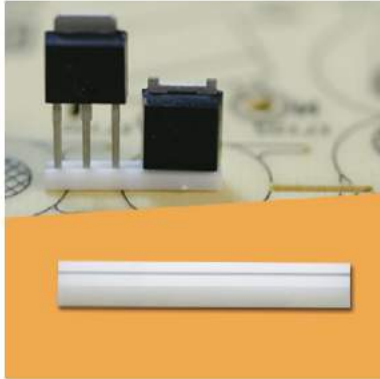


MATERIAL: NYLON 66(UL)
FLAME CLASS: 94V-2
COLOR: NATURAL

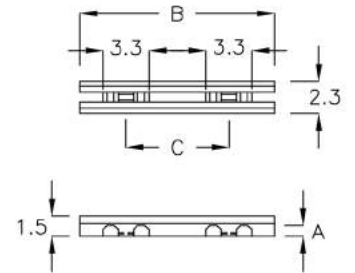
PART NO	A	B	C	D	PACKAGE
TRT-5CS	5.5	5.7	∅1.1	3.5	2000



電晶體座 TRANSISTOR HOUSING



MATERIAL: NYLON 66(UL)
 FLAME CLASS: 94V-0
 COLOR: NATURAL
 FOR TO-251 TRANSISTOR

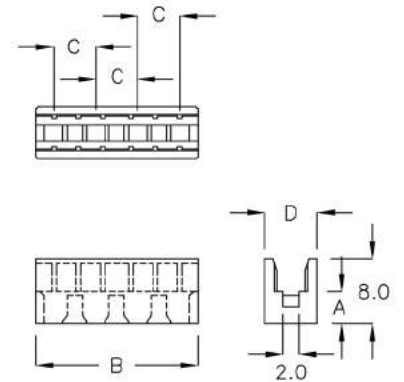


PART NO	A	B	C	PACKAGE
TRY-1A	0.8	14.0	7.4	1000

電晶體座 TRANSISTOR HOUSING



MATERIAL: NYLON 66(UL)
 FLAME CLASS: 94V-2
 COLOR: NATURAL

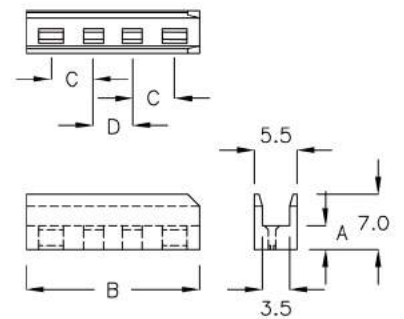


PART NO	A	B	C	D	PACKAGE
TR-20D	4.0	20.0	5.2	6.5	1000

電晶體座 TRANSISTOR HOUSING

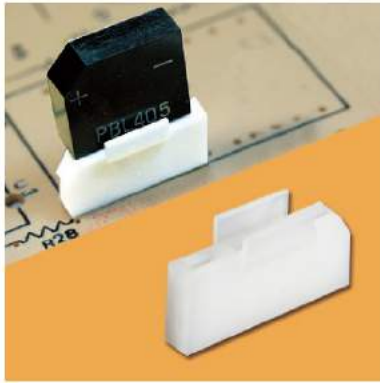


MATERIAL: PBT(UL)
 FLAME CLASS: 94V-0
 COLOR: BLACK

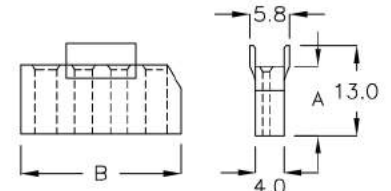
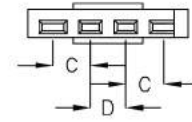


PART NO	A	B	C	D	PACKAGE
TR-22D	3.0	22.0	5.35	5.0	1000

電晶體座 TRANSISTOR HOUSING



MATERIAL: NYLON 66(UL)
FLAME CLASS: 94V-2
COLOR: NATURAL

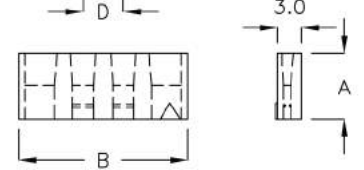
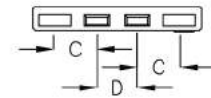


PART NO	A	B	C	D	PACKAGE
TRL-10	10.0	23.0	5.4	5.1	1000

電晶體座 TRANSISTOR HOUSING

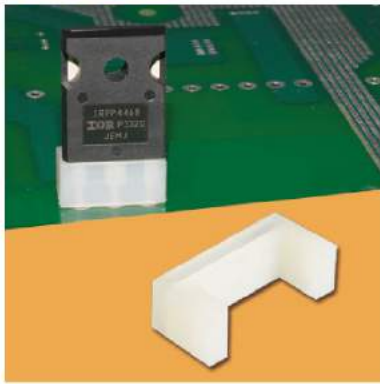


MATERIAL: NYLON 66(UL)
FLAME CLASS: 94V-0
COLOR: NATURAL

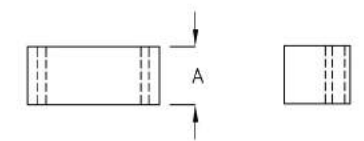
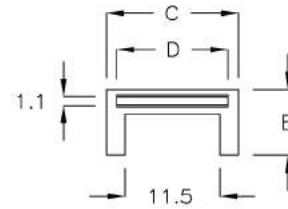


PART NO	A	B	C	D	PACKAGE
TRN-9H	8.5	21.3	5.44	5.08	1000

電晶體座 TRANSISTOR HOUSING



MATERIAL: NYLON 66(UL)
FLAME CLASS: 94V-2
COLOR: NATURAL
FOR TO-3P TRANSISTOR

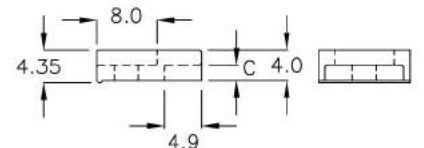
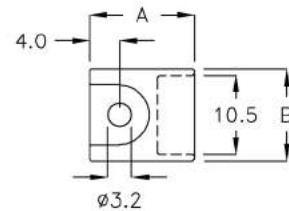


PART NO	A	B	C	D	PACKAGE
QLL-16	7.0	8.0	16.0	13.5	2000

電晶體蓋 TRANSISTOR COVER



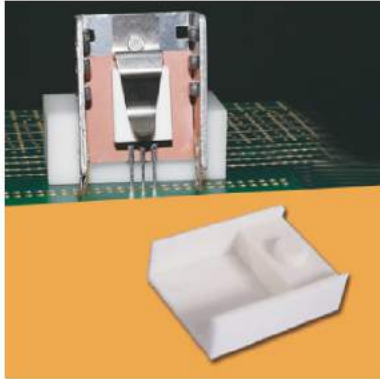
MATERIAL: NYLON 66+GF30%
FLAME CLASS: 94V-0
COLOR: NATURAL



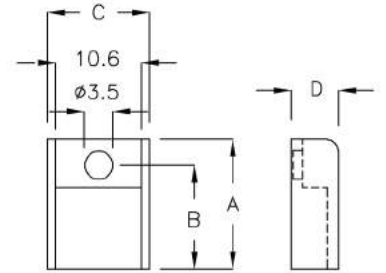
PART NO	A	B	C	PACKAGE
HUF-14	14.0	12.2	2.0	1000

— 8-73-1 —

電晶體蓋 TRANSISTOR COVER



MATERIAL: PBT(UL)
FLAME CLASS: 94V-0
COLOR: NATURAL
FOR TO-220 TRANSISTOR



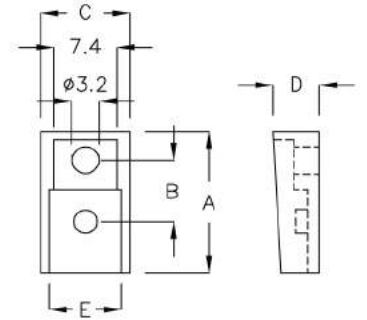
PART NO	A	B	C	D	PACKAGE
TR-03	16.0	12.8	12.5	5.8	500

— 8-73-2 —

電晶體蓋 TRANSISTOR COVER



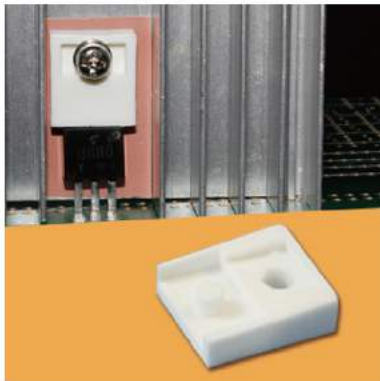
MATERIAL: PBT(UL)
FLAME CLASS: 94V-0
COLOR: NATURAL



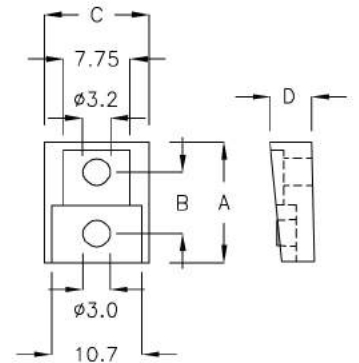
PART NO	A	B	C	D	E	PACKAGE
TR-03A	16.5	7.1	10.4	5.4	8.5	500
TR-03E	14.0	7.1	10.4	4.2	8.3	

— 8-73-3 —

電晶體蓋 TRANSISTOR COVER



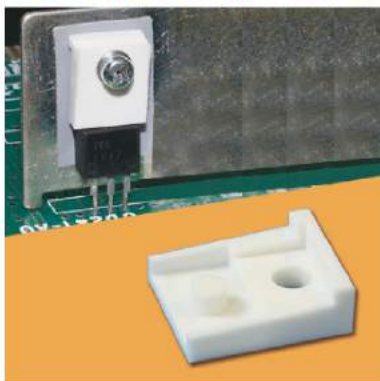
MATERIAL: PBT(UL)
FLAME CLASS: 94V-0
COLOR: NATURAL



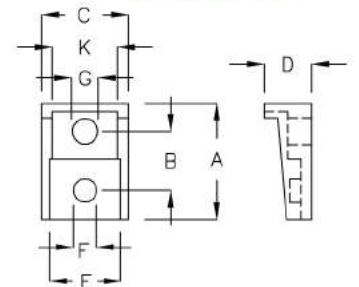
PART NO	A	B	C	D	PACKAGE
TR-03P	14.0	7.3	13.0	4.8	1000

— 8-73-4 —

電晶體蓋 TRANSISTOR COVER

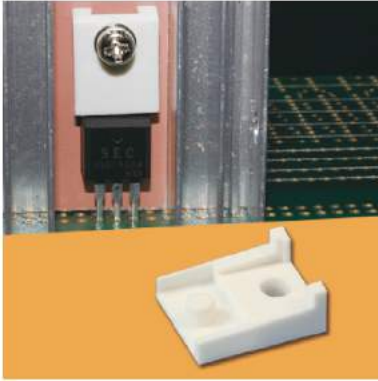


MATERIAL: PBT(UL)
FLAME CLASS: 94V-0
COLOR: NATURAL

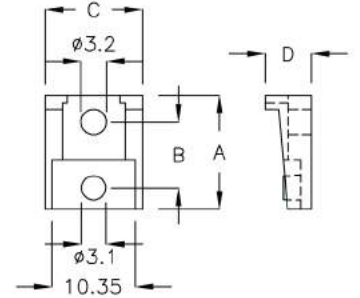


PART NO	A	B	C	D	E	F	G	K	PACKAGE
TR-03C	14.0	7.1	10.4	5.7	8.4	$\phi 2.8$	$\phi 3.3$	7.7	500
TR-03D	13.9	7.1	12.0	5.7	10.2	$\phi 3.4$	$\phi 3.3$	7.7	
TR-03L	14.8	8.15	12.15	5.7	10.35	$\phi 3.1$	$\phi 3.2$	7.8	

電晶體蓋 TRANSISTOR COVER



MATERIAL: PBT(UL)
 FLAME CLASS: 94V-0
 COLOR: NATURAL
 FOR TO-220 TRANSISTOR

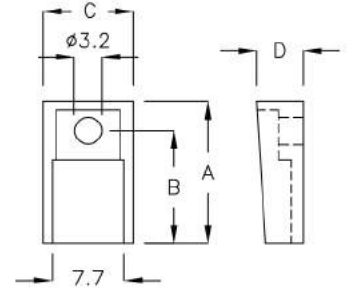


PART NO	A	B	C	D	PACKAGE
TR-03N	14.2	8.15	12.15	5.7	500

電晶體蓋 TRANSISTOR COVER

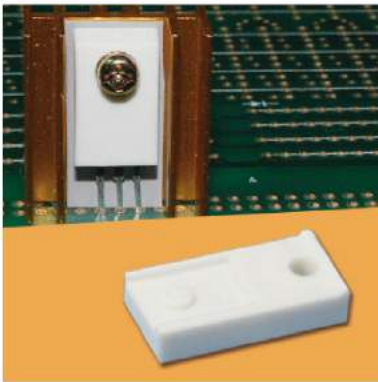


MATERIAL: PBT(UL)
 FLAME CLASS: 94V-0
 COLOR: NATURAL

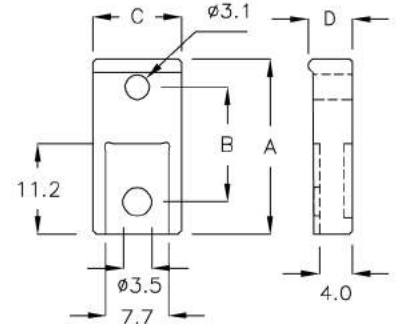


PART NO	A	B	C	D	PACKAGE
TR-03F	16.1	12.8	10.4	4.0	500

電晶體蓋 TRANSISTOR COVER

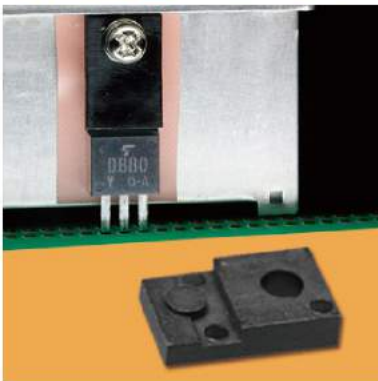


MATERIAL: PBT(UL)
 FLAME CLASS: 94V-0
 COLOR: NATURAL

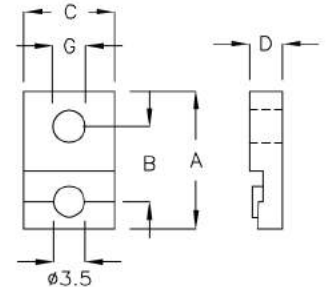


PART NO	A	B	C	D	PACKAGE
TR-03K	21.6	14.1	10.8	5.4	500

電晶體蓋 TRANSISTOR COVER

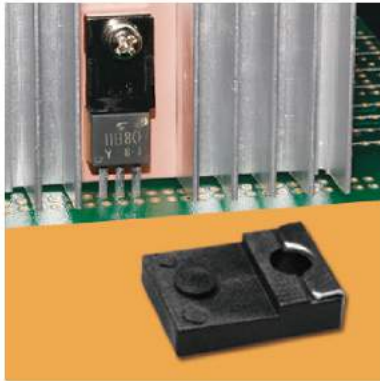


MATERIAL: PBT(UL)
 FLAME CLASS: 94V-0
 COLOR: BLACK
 FOR TO-220 TRANSISTOR

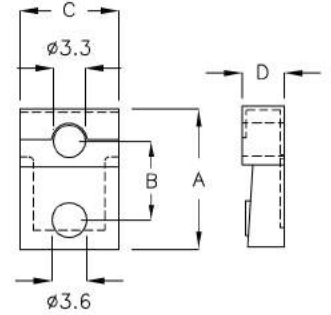


PART NO	A	B	C	D	G	PACKAGE
TR-04A	15.3	8.35	10.1	3.6	$\phi 3.7$	1000
TR-04H	13.0	6.00	10.1	3.6	$\phi 3.2$	

電晶體蓋 TRANSISTOR COVER



MATERIAL: N66(UL)+PHOSPHOR BRONZE
FLAME CLASS: 94V-2
COLOR: BLACK
FOR TO-220 TRANSISTOR

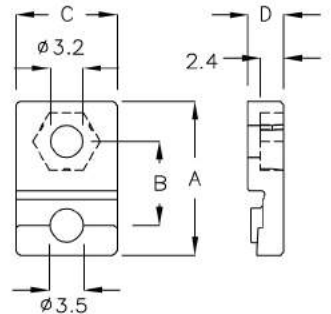


PART NO	A	B	C	D	PACKAGE
TR-04	14.7	8.2	10.2	4.4	1000

電晶體蓋 TRANSISTOR COVER



MATERIAL: PBT(UL)
FLAME CLASS: 94V-0
COLOR: NATURAL
FOR TO-220 TRANSISTOR

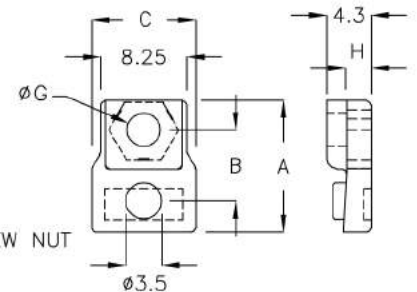
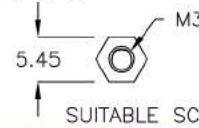


PART NO	A	B	C	D	PACKAGE
TR-4GS	15.3	8.35	10.1	3.6	1000
TR-4YK	14.3	7.4	10.1	3.6	

電晶體蓋 TRANSISTOR COVER

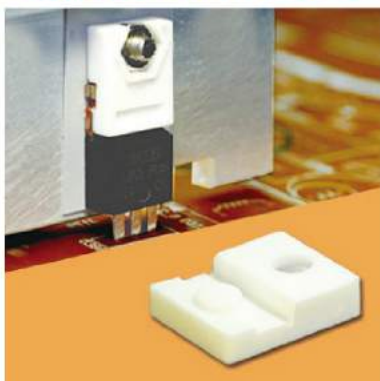


MATERIAL: PBT(UL)
FLAME CLASS: 94V-0
COLOR: NATURAL
FOR TO-220 TRANSISTOR

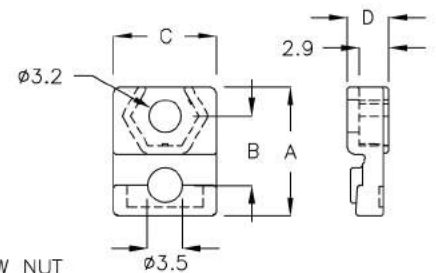
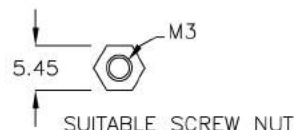


PART NO	A	B	C	G	H	PACKAGE
TR-4LF	12.65	6.85	10.0	ø3.2	2.5	1000
TR-4JW	12.65	6.85	10.0	ø3.1	2.4	

電晶體蓋 TRANSISTOR COVER



MATERIAL: PBT(UL)
FLAME CLASS: 94V-0
COLOR: NATURAL
FOR TO-220 TRANSISTOR



PART NO	A	B	C	D	PACKAGE
TR-4RL	12.65	6.85	10.1	4.1	1000

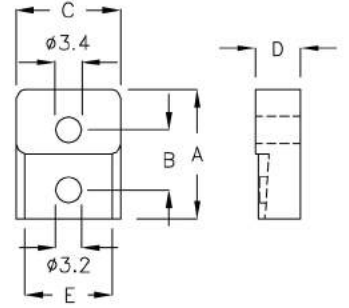
電晶體蓋 TRANSISTOR COVER



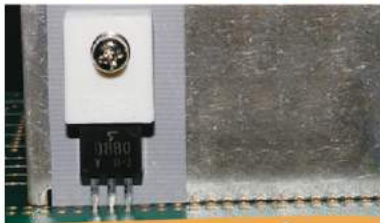
MATERIAL: PBT(UL)
FLAME CLASS: 94V-0
COLOR: NATURAL
FOR TO-220 TRANSISTOR



PART NO	A	B	C	D	E	PACKAGE
TR-05	16.2	7.4	13.0	5.4	10.8	200



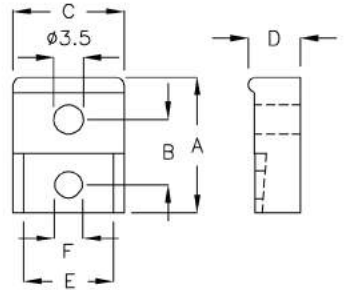
電晶體蓋 TRANSISTOR COVER



MATERIAL: PBT(UL)
FLAME CLASS: 94V-0
COLOR: NATURAL
FOR TO-220 TRANSISTOR



PART NO	A	B	C	D	E	F	PACKAGE
TR-06	16.2	7.6	13.2	6.4	10.4	$\phi 3.3$	200
TR-06A	16.1	7.7	13.2	6.4	10.6	$\phi 3.3$	
TR-08	17.7	9.2	13.1	6.4	10.6	$\phi 3.3$	
TR-08D	19.2	10.75	13.0	6.3	10.5	$\phi 3.0$	



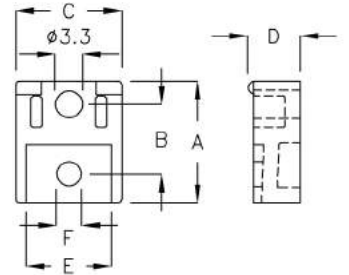
電晶體蓋 TRANSISTOR COVER



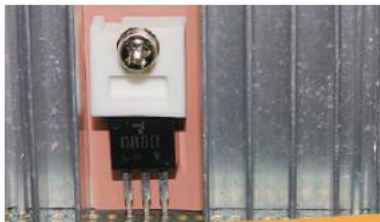
MATERIAL: PBT(UL)
FLAME CLASS: 94V-0
COLOR: NATURAL
FOR TO-220 TRANSISTOR



PART NO	A	B	C	D	E	F	PACKAGE
TR-06H	14.3	8.3	12.6	6.2	10.3	$\phi 3.0$	200
TR-06J	14.3	8.3	13.2	6.2	10.5	$\phi 3.2$	



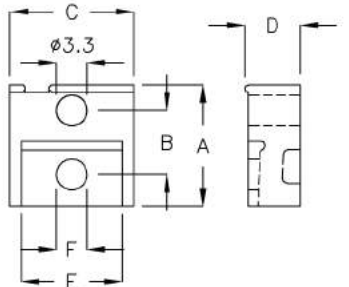
電晶體蓋 TRANSISTOR COVER



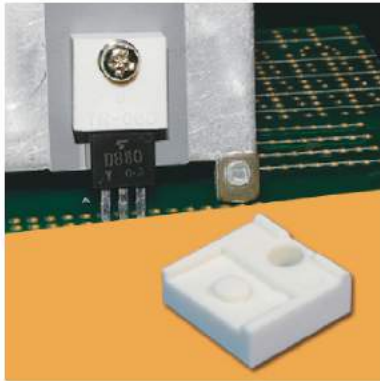
MATERIAL: PBT(UL)
FLAME CLASS: 94V-0
COLOR: NATURAL
FOR TO-220 TRANSISTOR



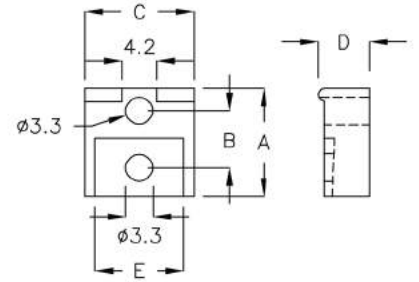
PART NO	A	B	C	D	E	F	PACKAGE
TR-06K	13.0	6.8	13.2	5.9	10.8	$\phi 3.3$	200



電晶體蓋 TRANSISTOR COVER



MATERIAL: PBT(UL)
FLAME CLASS: 94V-0
COLOR: NATURAL
FOR TO-220 TRANSISTOR

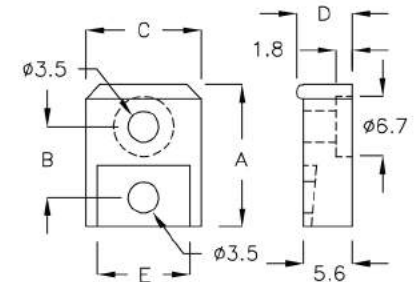


PART NO	A	B	C	D	E	PACKAGE
TR-06D	13.0	6.8	13.2	6.2	10.7	200

電晶體蓋 TRANSISTOR COVER

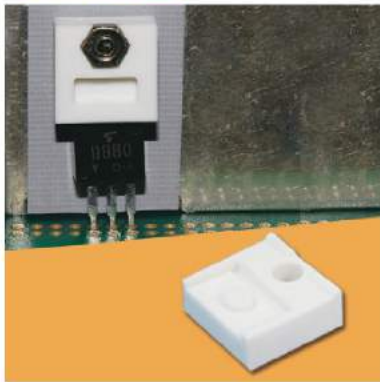


MATERIAL: PBT(UL)
FLAME CLASS: 94V-0
COLOR: NATURAL
FOR TO-220 TRANSISTOR

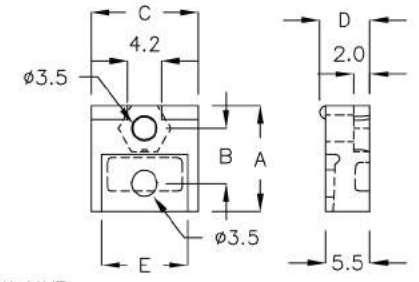


PART NO	A	B	C	D	E	PACKAGE
TR-08C	16.0	8.0	13.0	6.3	10.3	200

電晶體蓋 TRANSISTOR COVER

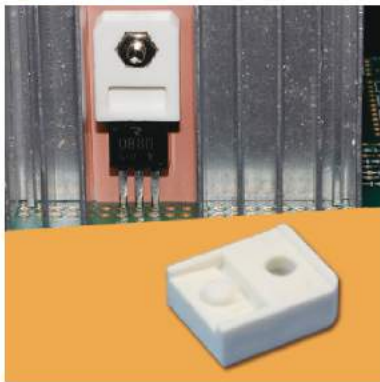


MATERIAL: PBT(UL)
FLAME CLASS: 94V-0
COLOR: NATURAL
FOR TO-220 TRANSISTOR

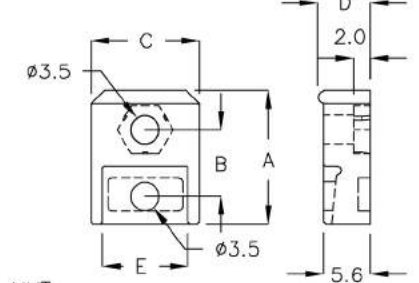


PART NO	A	B	C	D	E	PACKAGE
TR-6AF	13.0	6.8	13.2	6.2	10.6	200

電晶體蓋 TRANSISTOR COVER



MATERIAL: PBT(UL)
FLAME CLASS: 94V-0
COLOR: NATURAL
FOR TO-220 TRANSISTOR

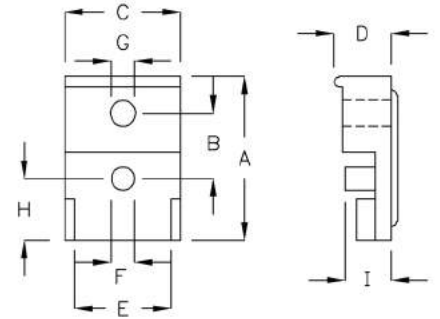


PART NO	A	B	C	D	E	PACKAGE
TR-8CF	16.0	8.0	13.0	6.3	10.3	200

電晶體蓋 TRANSISTOR COVER



MATERIAL: PBT(UL)
 FLAME CLASS: 94V-0
 COLOR: NATURAL
 FOR TO-220 TRANSISTOR
 *FOR TO-3P TRANSISTOR

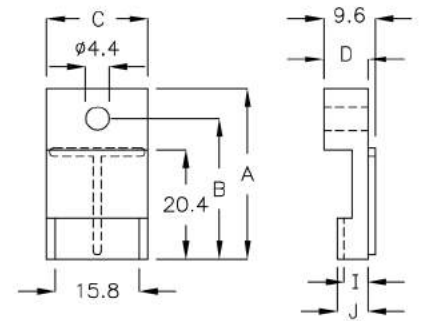


PART NO	A	B	C	D	E	F	G	H	I	PACKAGE
TR-09	22.9	9.3	12.9	8.4	10.4	∅2.9	∅3.5	8.5	7.8	200
*TR-26	26.3	10.6	18.6	9.2	15.3	∅3.6	∅4.1	9.6	7.2	

電晶體蓋 TRANSISTOR COVER



MATERIAL: PBT(UL)
 FLAME CLASS: 94V-0
 COLOR: NATURAL
 FOR TO-3P TRANSISTOR

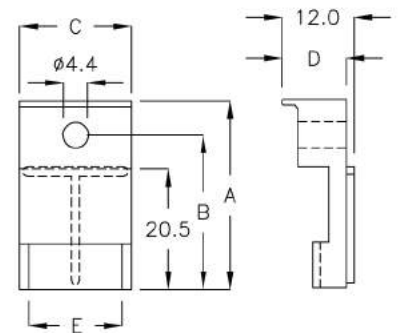


PART NO	A	B	C	D	I	J	PACKAGE
TR-10	32.0	26.3	19.1	8.3	4.4	5.8	200
TR-10KD	32.0	26.3	19.1	8.3	3.6	5.8	

電晶體蓋 TRANSISTOR COVER

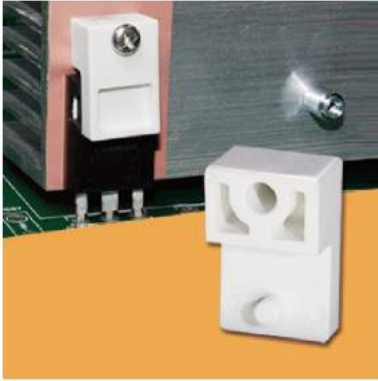


MATERIAL: PBT(UL)
 FLAME CLASS: 94V-0
 COLOR: NATURAL
 FOR TO-3P TRANSISTOR

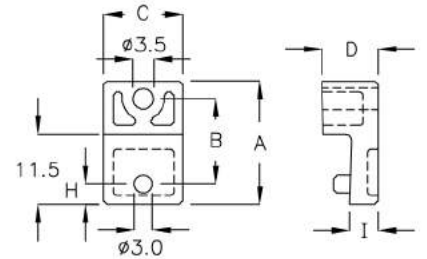


PART NO	A	B	C	D	E	PACKAGE
TR-11	32.0	26.3	19.0	10.7	15.8	200

電晶體蓋 TRANSISTOR COVER



MATERIAL: PBT(UL)
 FLAME CLASS: 94V-0
 COLOR: NATURAL
 FOR TO-247 TRANSISTOR

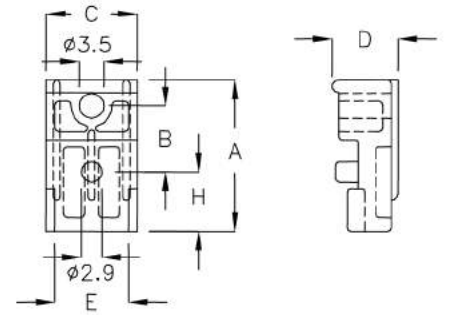


PART NO	A	B	C	D	H	I	PACKAGE
TR-20MK	20.25	14.0	13.0	9.25	3.35	4.7	500

電晶體蓋 TRANSISTOR COVER



MATERIAL: PBT(UL)
 FLAME CLASS: 94V-0
 COLOR: NATURAL
 FOR TO-220 TRANSISTOR

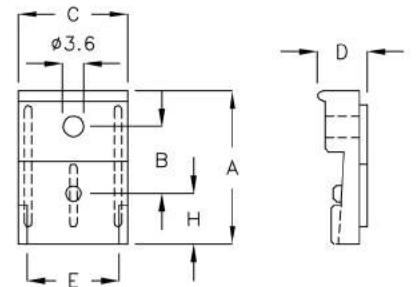


PART NO	A	B	C	D	E	H	PACKAGE
TR-21KP	21.5	9.3	12.9	9.4	10.4	8.5	200

電晶體蓋 TRANSISTOR COVER



MATERIAL: PBT(UL)
 FLAME CLASS: 94V-0
 COLOR: NATURAL
 FOR TO-3P TRANSISTOR

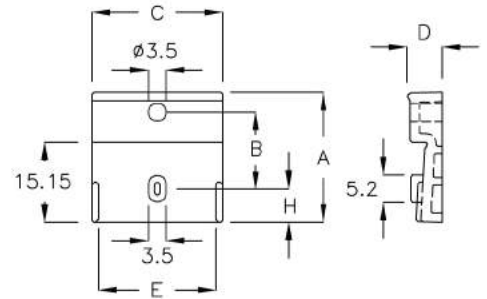


PART NO	A	B	C	D	E	H	PACKAGE
TR-25	27.0	12.3	18.5	8.4	15.5	8.6	200
TR-30	32.3	9.7	21.3	9.5	18.3	15.6	
TR-30A	33.2	12.3	21.3	9.5	18.3	14.0	

電晶體蓋 TRANSISTOR COVER



MATERIAL: PBT(UL)
FLAME CLASS: 94V-0
COLOR: NATURAL

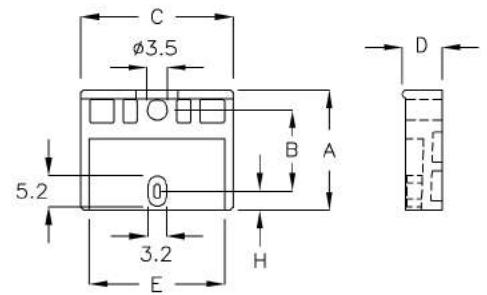


PART NO	A	B	C	D	E	H	PACKAGE
TR-31	25.0	14.5	25.1	6.7	22.3	6.4	200

電晶體蓋 TRANSISTOR COVER



MATERIAL: PBT(UL)
FLAME CLASS: 94V-0
COLOR: NATURAL

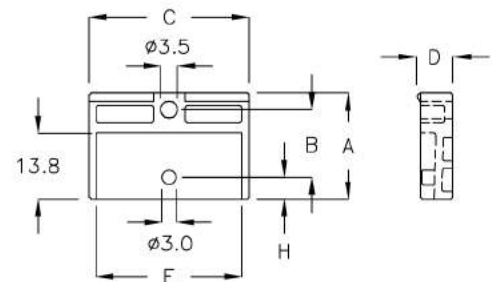


PART NO	A	B	C	D	E	H	PACKAGE
TR-31A	20.0	13.55	25.4	6.7	22.5	3.15	200

電晶體蓋 TRANSISTOR COVER



MATERIAL: PBT(UL)
FLAME CLASS: 94V-0
COLOR: NATURAL

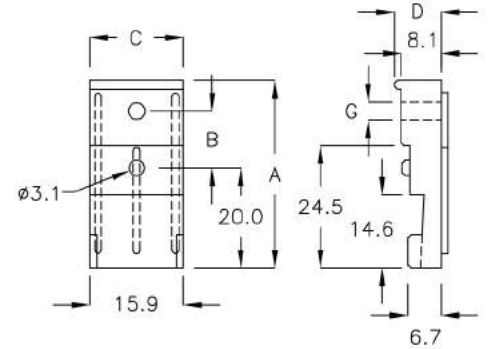


PART NO	A	B	C	D	E	H	PACKAGE
TR-33MQ	22.0	14.1	33.3	7.5	30.4	4.45	200

電晶體蓋 TRANSISTOR COVER



MATERIAL: PBT(UL)
FLAME CLASS: 94V-0
COLOR: NATURAL

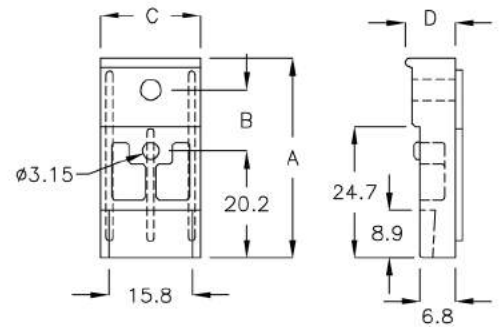


PART NO	A	B	C	D	G	PACKAGE
TR-35	37.7	11.4	18.8	9.4	ø3.6	200
TR-35A	37.7	11.4	18.8	9.4	ø4.1	

電晶體蓋 TRANSISTOR COVER

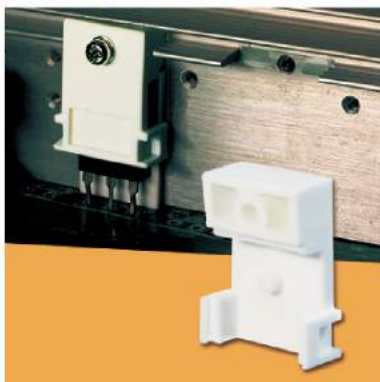


MATERIAL: PBT(UL)
FLAME CLASS: 94V-0
COLOR: NATURAL

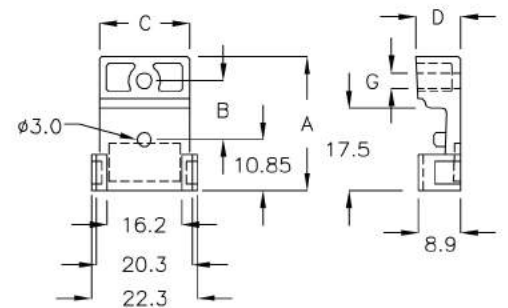


PART NO	A	B	C	D	E	PACKAGE
TR-35C	37.7	11.4	18.8	9.45	ø4.1	200

電晶體蓋 TRANSISTOR COVER



MATERIAL: PBT(UL)
FLAME CLASS: 94V-0
COLOR: NATURAL



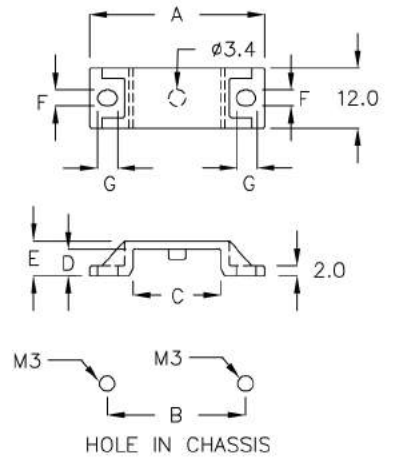
PART NO	A	B	C	D	G	PACKAGE
TRX-28K	28.45	12.45	19.1	9.5	ø3.3	100

8-82-1

電晶體蓋 TRANSISTOR COVER



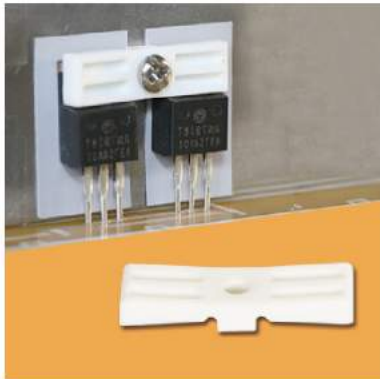
MATERIAL: PBT(UL)
FLAME CLASS: 94V-0
COLOR: NATURAL



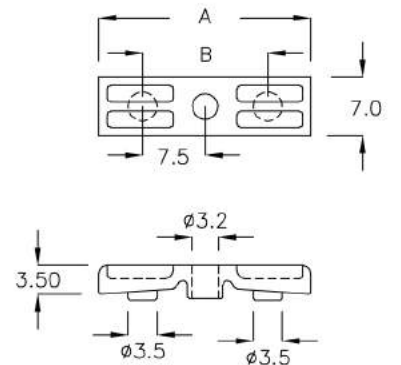
PART NO	A	B	C	D	E	F	G	PACKAGE
TRM-01	32.0	25.5	16.0	4.7	6.2	3.2	3.2	500
TRM-2A	35.0	27.65	17.5	5.3	7.0	3.2	4.0	

8-82-2

電晶體蓋 TRANSISTOR HOUSING



MATERIAL: PBT(UL)
FLAME CLASS: 94V-0
COLOR: NATURAL
FOR TO-220 TRANSISTOR



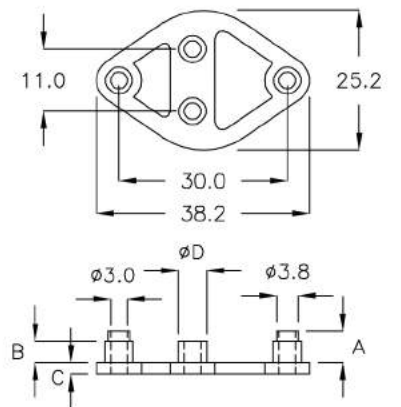
PART NO	A	B	PACKAGE
TRJ-25F	25.4	15.0	500

8-82-3

電晶體座 TRANSISTOR HOUSING



MATERIAL: NYLON 66(UL)
FLAME CLASS: 94V-2
COLOR: NATURAL



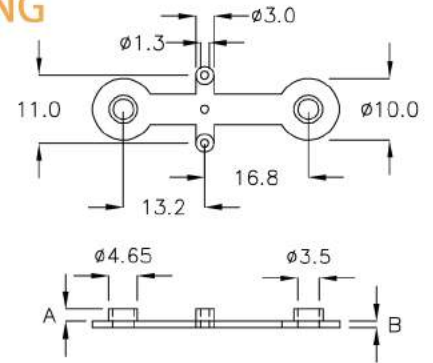
PART NO	A	B	C	D	PACKAGE
TR-20A	8.2	5.9	2.0	6.0	200
TR-20	5.6	3.8	2.1	5.0	

8-83-1



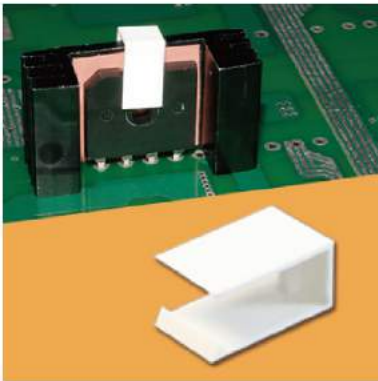
電晶體座 TRANSISTOR HOUSING

MATERIAL: NYLON 66(UL)
FLAME CLASS: 94V-0
COLOR: NATURAL



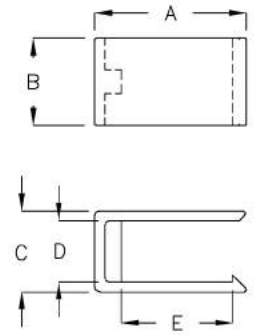
PART NO	A	B	PACKAGE
TR-20B	2.0	1.1	500

8-83-2



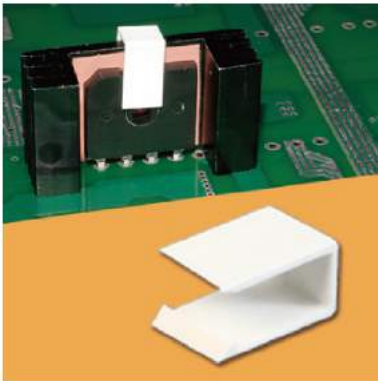
電晶體固定扣 TRANSISTOR CLAMP

MATERIAL: PBT(UL)
FLAME CLASS: 94V-0
COLOR: NATURAL



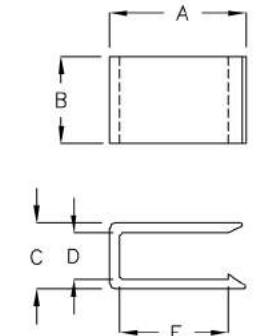
PART NO	A	B	C	D	E	PACKAGE
TRQ-5K	13.6	7.8	7.3	5.5	10.0	1000
TRQ-5P	12.6	7.8	7.3	5.5	9.0	
TRQ-7A	13.6	8.0	8.8	7.0	10.0	

8-83-3



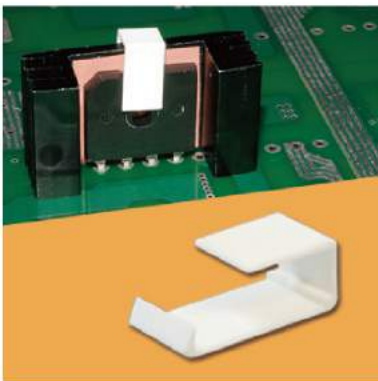
電晶體固定扣 TRANSISTOR CLAMP

MATERIAL: PBT(UL)
FLAME CLASS: 94V-0
COLOR: NATURAL



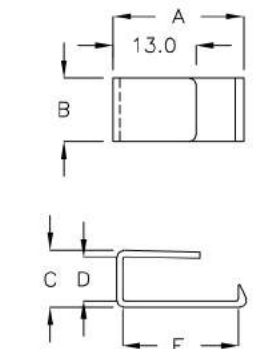
PART NO	A	B	C	D	E	PACKAGE
TRQ-4H	13.75	6.0	6.3	4.5	11.5	1000
TRQ-5CN	12.6	8.0	7.5	5.7	10.0	
TRQ-5ZL	17.25	8.0	6.8	5.0	14.7	
TRQ-10	12.5	8.0	7.0	5.2	10.0	
TRQ-10A	12.5	8.0	8.0	6.2	10.0	
TRQ-10F	12.5	8.0	7.3	5.5	10.0	
TRQ-10W	12.5	8.0	6.1	4.3	10.0	

8-83-4



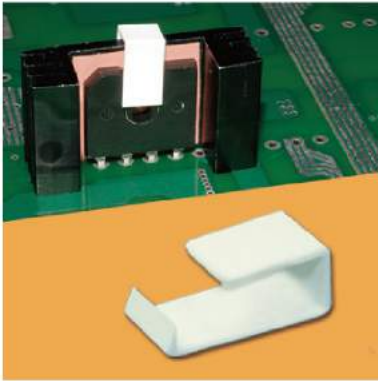
電晶體固定扣 TRANSISTOR CLAMP

MATERIAL: PBT(UL)
FLAME CLASS: 94V-0
COLOR: NATURAL



PART NO	A	B	C	D	E	PACKAGE
TRQ-7DM	20.4	10.0	9.0	7.0	18.1	1000

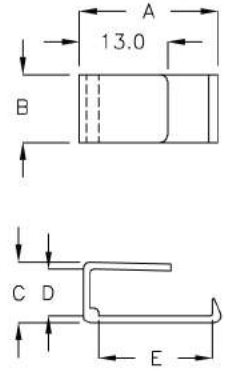
8-84-1



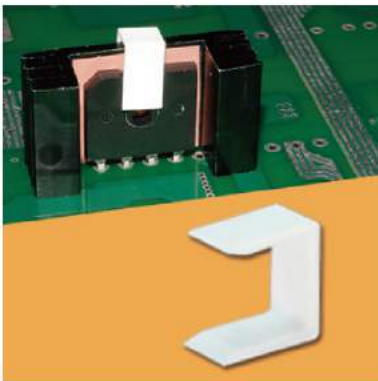
電晶體固定扣 TRANSISTOR CLAMP

MATERIAL: PBT(UL)
FLAME CLASS: 94V-0
COLOR: NATURAL

PART NO	A	B	C	D	E	PACKAGE
TRQ-7F	21.9	10.0	9.0	7.0	18.2	1000



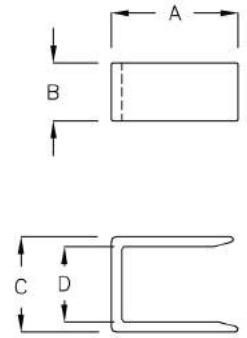
8-84-2



電晶體固定扣 TRANSISTOR CLAMP

MATERIAL: PBT(UL)
FLAME CLASS: 94V-0
COLOR: NATURAL

PART NO	A	B	C	D	PACKAGE
TRQ-5JX	6.8	4.5	6.6	5.0	1000
TRQ-6MQ	6.8	4.5	7.9	6.3	
TRQ-7HL	6.8	4.5	8.6	7.0	
TRQ-7SK	8.2	4.5	8.6	7.0	



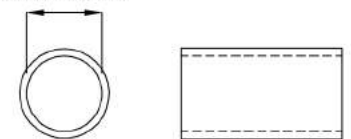
8-84-3



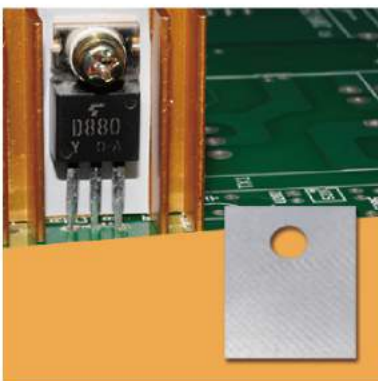
熱收縮套管 HEAT SHRINKING TUBE

SIZE: $\phi 1.2 \sim \phi 50.8$
COLOR: BLACK
LENGTH IS ACCORDING TO CUSTOMER'S DEMAND

適用線徑
 $\phi 1.2 \sim \phi 50.8$



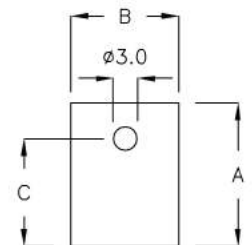
8-84-4



矽膠片 SILICONE RUBBER

MATERIAL: SILICONE (UL)
COLOR: GRAY
FLAME CLASS: 94V-0
THICKNESS: 0.3~0.8mm
LENGTH IS ACCORDING TO CUSTOMER'S DEMAND

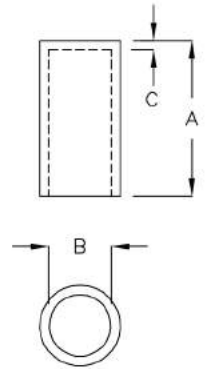
PART NO	A	B	C	PACKAGE
TO-3P3A	25.0	20.0	16.5	1000
TO-2203A	18.0	13.0	13.5	



矽膠套管 SILICONE RUBBER TUBE

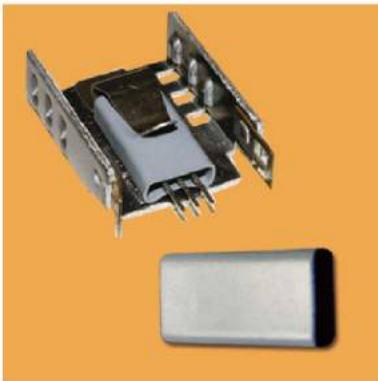


MATERIAL: SILICONE(UL)
FLAME CLASS: 94V-0
COLOR: GRAY

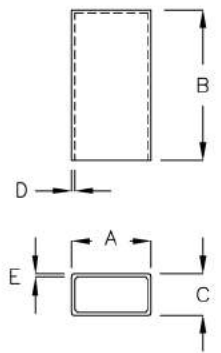


PART NO	A	B	C	PACKAGE
CST-1315	15.0	∅13.2	0.45	500
CST-1925	25.0	∅18.7	0.45	

矽膠套管 SILICONE RUBBER TUBE



MATERIAL: SILICONE(UL)
COLOR: GRAY
FLAME CLASS: 94V-0
ACCORDING TO CUSTOMER'S DEMAND

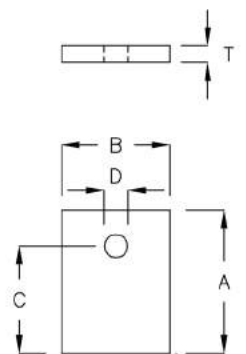


PART NO	A	B	C	D	E	PACKAGE
TO-220ST	11.4	21.5	5.8	0.45	0.45	1000
TO-220ST-B	11.4	16.0	5.8	0.45	0.45	
TO-3PST	17.5	28.5	5.9	0.45	0.45	
TO-4PST	23.5	22.0	5.0	0.4	0.4	

陶瓷片 CERAMICS



MATERIAL: CERAMICS
COLOR: NATURAL



PART NO	A	B	C	D	T	PACKAGE
TQA-01	19.2	13.8	14.6	∅3.7	2.0	1000
TQA-02	30.0	19.0	22.0	∅4.0	2.5	500
TQA-05	21.7	14.9	15.6	∅3.6	1.5	1000
TQA-07	14.2	10.3	9.4	∅3.8	3.0	
TQA-08	13.9	10.0	9.5	∅3.6	2.0	

9

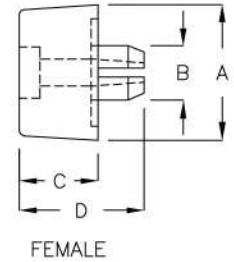


腳墊
PLASTIC FOOT

腳墊 PLASTIC FOOT



MALE MATERIAL: PP
 FEMALE MATERIAL: EVA
 COLOR: BLACK
 INCLUDE PIN
 *附 PIN

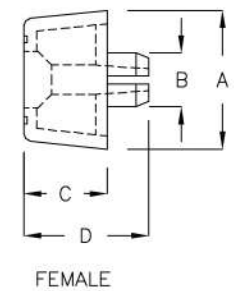
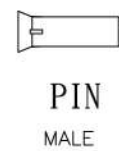


PART NO	HOLE IN CHASSIS	CHASSIS THICKNESS	A	B	C	D	PACKAGE
GL-13	ø5.0	1.0~2.0	ø12.7	ø5.0	4.5	8.8	500
GL-16	ø5.0	1.0~2.0	ø15.8	ø5.0	4.5	8.8	
GL-18	ø8.0	0.8~1.0	ø20.0	ø7.9	18.0	23.5	
GL-18S	ø8.0	0.8~1.0	ø20.0	ø8.0	18.0	21.9	
GL-19	ø8.0	1.0~2.5	ø19.5	ø8.0	5.0	10.4	
GL-19H	ø8.0	1.0~2.5	ø20.0	ø8.0	10.2	15.5	
GL-19S	ø8.0	1.0~2.0	ø19.3	ø8.0	4.0	7.0	
GL-19M	ø8.0	1.0~2.0	ø19.8	ø8.0	7.0	11.0	
GL-20H	ø8.0	1.0~3.5	ø20.0	ø8.0	20.0	26.0	
GL-24	ø8.0	1.0~2.5	ø24.0	ø8.0	5.0	10.4	500
GL-24H	ø8.0	1.0~2.5	ø24.0	ø7.9	10.5	15.8	
GL-24L	ø8.0	1.0~2.7	ø24.0	ø8.0	5.0	10.8	
GL-27C	ø10.0	0.8~1.2	ø27.0	ø10.0	7.0	12.0	200
GL-29	ø10.0	1.0~3.5	ø28.6	ø9.9	8.0	13.8	500
GL-30	ø10.0	0.8~2.5	ø29.5	ø10.0	15.0	23.3	200
GL-32	ø10.0	1.0~3.5	ø31.5	ø9.9	7.8	13.6	500
GL-32S	ø10.0	0.8~1.2	ø32.0	ø10.0	7.8	11.3	200

腳墊 PLASTIC FOOT



MALE MATERIAL: PP
 FEMALE MATERIAL: EVA
 COLOR: BLACK
 INCLUDE PIN
 *附 PIN

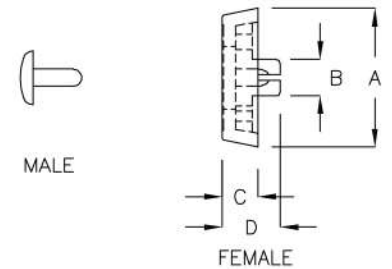


PART NO	HOLE IN CHASSIS	CHASSIS THICKNESS	A	B	C	D	PACKAGE
GL-20K	ø7.8	0.8~1.4	ø26.7	ø7.8	16.0	21.0	200
GL-20L	ø8.0	0.8~1.8	ø20.0	ø8.0	12.0	18.0	
GL-20P	ø8.0	0.8~1.2	ø19.5	ø8.0	8.0	12.5	500
GL-27	ø8.0	0.8~1.8	ø27.0	ø8.0	13.0	18.0	200
GL-27F	ø7.8	0.8~1.2	ø26.7	ø7.8	5.0	10.0	
GL-27K	ø7.8	0.8~1.2	ø26.7	ø7.8	10.0	15.0	
GL-32D	ø8.4	0.8~1.6	ø33.0	ø8.4	16.0	21.7	

腳墊 PLASTIC FOOT



MALE MATERIAL: N66(UL)
 FEMALE MATERIAL: TPR(UL)
 FLAME CLASS: 94V-0
 COLOR: BLACK, GRAY
 INCLUDE PIN
 *附 PIN

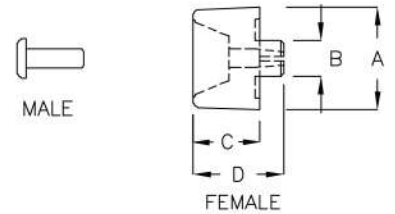


PART NO	CHASSIS THICKNESS	A	B HOLE IN CHASSIS	C	D	PACKAGE
GL-20M	0.8	ø20.0	ø5.3	5.2	8.4	500

腳墊 PLASTIC FOOT



MALE MATERIAL: PP
 FLAME MATERIAL: EVA
 COLOR: BLACK, GRAY
 INCLUDE PIN
 *附 PIN

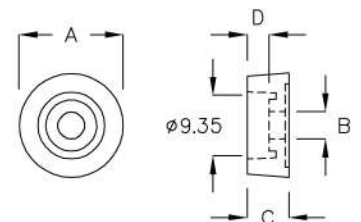


PART NO	CHASSIS THICKNESS	A	B HOLE IN CHASSIS	C	D	PACKAGE
GL-23D	0.8~1.6	ø23.0	ø8.2	15.0	20.5	200
GL-23F	0.8~1.6	ø23.0	ø8.0	23.0	28.5	

腳墊 PLASTIC FOOT



MATERIAL: TPR(UL)
 FLAME CLASS: 94V-0
 COLOR: BLACK
 MUST BE FASTENED BY M3 SCREW

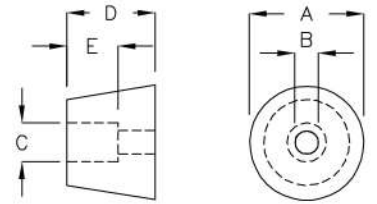


PART NO	A	B	C	D	PACKAGE
GL-03	ø15.0	ø4.2	6.0	3.2	500

腳墊 PLASTIC FOOT



MATERIAL: TPE
COLOR: BLACK
GL-7 CAN BE USED WITH
SR-5 TO SNAP IN
MUST BE FASTENED BY
M3 SCREW

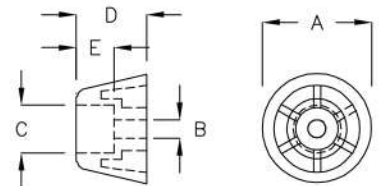


PART NO	A	B	C	D	E	PACKAGE
GL-2	∅13.8	∅3.2	∅5.9	10.0	6.0	1000
GL-2C	∅12.0	∅3.5	∅6.35	8.0	3.3	
GL-4	∅20.0	∅3.4	∅8.7	10.4	4.5	500
GL-4D	∅20.0	∅4.5	∅8.8	10.4	4.6	500
GL-5	∅28.0	∅3.8	∅8.2	19.8	13.8	200
GL-6K	∅19.0	∅3.8	∅9.0	6.3	3.2	500
GL-6S	∅18.2	∅4.2	∅9.0	7.8	3.8	1000
GL-7	∅14.7	∅5.0	∅9.0	6.0	2.2	
GL-7S	∅14.7	∅5.0	∅9.0	5.0	2.2	

腳墊 PLASTIC FOOT



MATERIAL: EVA
COLOR: BLACK
MUST BE FASTENED BY
M3 SCREW



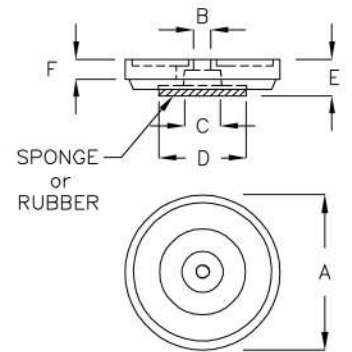
PART NO	A	B	C	D	E	PACKAGE
GL-4A	∅20.0	∅4.2	∅9.0	10.4	6.5	500
GL-4L	∅19.7	∅3.4	∅8.7	12.6	6.8	
GL-6	∅18.6	∅3.95	∅8.8	6.4	3.3	
GL-9	∅25.0	∅3.3	∅9.0	6.4	3.4	
GL-20	∅20.0	∅4.2	∅9.2	20.0	14.0	200

9-5-1

燙金腳墊 HOT STAMPING FOOT



MATERIAL: ABS+SPONGE
COLOR: BLACK(ABS)
BLACK+GOLD
BLACK+SILVER
MUST BE FASTENED BY
M3 SCREW



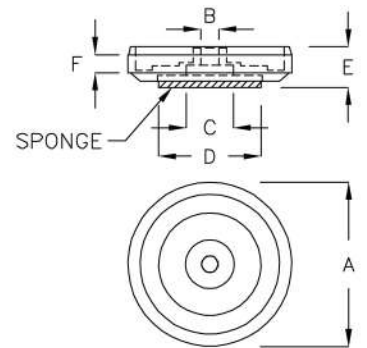
PART NO	A	B	C	D	E	F HOT STAMPING	COLOR	PACKAGE
GLA-30C	ø30.2	ø3.6	ø8.1	ø25.0	9.3	6.4	STAMPING GOLD	100
GLA-30F	ø30.0	ø4.3	ø11.5	ø25.0	6.0	4.0	STAMPING SILVER	
GLA-40F	ø40.0	ø4.3	ø11.5	ø25.0	8.0	4.5	STAMPING SILVER	
GLA-45F	ø44.8	ø4.0	ø10.3	ø25.0	10.9	5.8	ABS BLACK	50
GLA-50F	ø50.0	ø4.3	ø11.5	ø35.0	13.5	8.0		

9-5-2

燙金腳墊 HOT STAMPING FOOT



MATERIAL: ABS+SPONGE
COLOR: BLACK(ABS)
BLACK+GOLD
BLACK+SILVER
MUST BE FASTENED BY
M3 SCREW



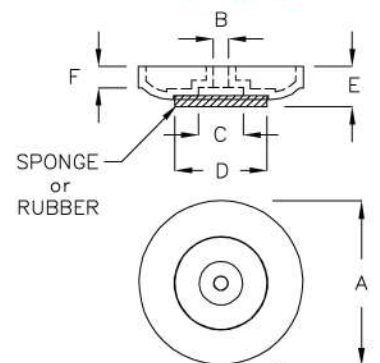
PART NO	A	B	C	D	E	F HOT STAMPING	PACKAGE
GLA-40H	ø40.0	ø4.3	ø11.5	ø25.0	10.0	4.5	100

9-5-3

燙金腳墊 HOT STAMPING FOOT



MATERIAL: ABS+SPONGE
COLOR: BLACK(ABS)
BLACK+GOLD
BLACK+SILVER
MUST BE FASTENED BY
M3 SCREW



PART NO	A	B	C	D	E	F HOT STAMPING	COLOR	PACKAGE
GLA-45C	ø44.5	ø4.0	ø12.0	ø25.0	10.9	5.7	STAMPING GOLD	50
							STAMPING SILVER	
							ABS BLACK	

9-6-1

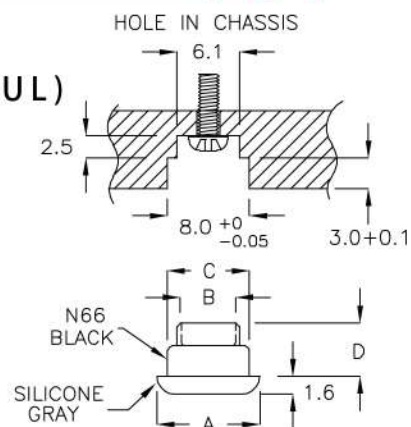


腳墊 RUBBER FOOT

PLASTIC MATERIAL: NYLON 66(UL)
FLAME CLASS: 94V-0

SOFT MATERIAL: SILICONE
FLAME CLASS: 94HB
COLOR: BLACK, GRAY

PART NO	A	B	C	D	PACKAGE
WHT-6C	ø9.6	ø5.3	ø8.0	5.2	2000



9-6-2

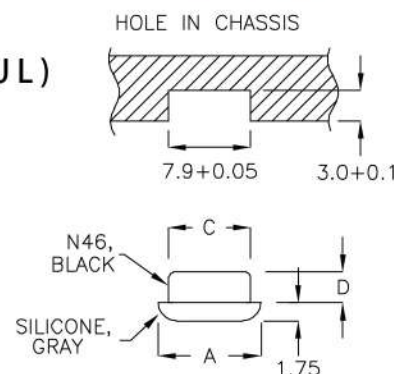


腳墊 RUBBER FOOT

PLASTIC MATERIAL: NYLON 66(UL)
FLAME CLASS: 94HB

SOFT MATERIAL: SILICONE
FLAME CLASS: 94HB
COLOR: BLACK, GRAY

PART NO	A	C	D	PACKAGE
WHT-6F	ø9.6	ø8.0	2.9	2000



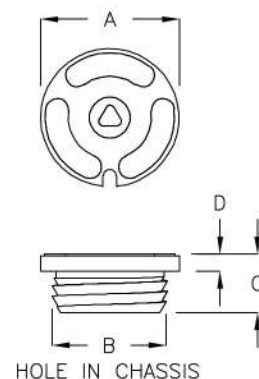
9-6-3



腳墊 RUBBER FOOT

MATERIAL: TPE
COLOR: BLACK

PART NO	A	B	C	D	PACKAGE
GLE-01	ø20.0	ø15.7	8.5	2.5	500
GLE-02	ø22.8	ø20.0	9.1	2.4	
GLE-03	ø20.0	ø15.7	7.3	2.5	



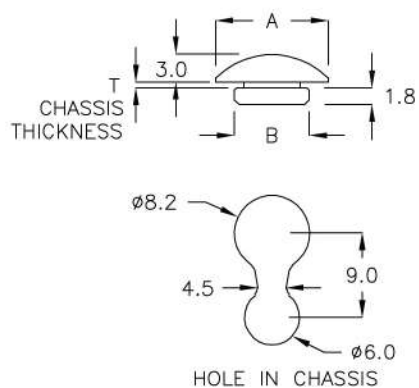
9-6-4



墊座 SILICONE RUBBER FOOT

MATERIAL: SILICONE
COLOR: BLACK

PART NO	A	B	T CHASSIS THICKNESS	PACKAGE
GMC-3CD	ø12.0	ø8.0	0.6	2000



9-7-1

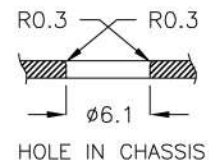
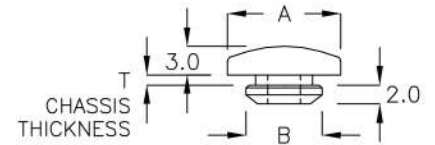


墊座 SILICONE RUBBER FOOT

MATERIAL: SILICONE
COLOR: BLACK

NEW

PART NO	A	B	T CHASSIS THICKNESS	PACKAGE
★ GMC-3RF	∅12.0	∅8.0	1.2	2000



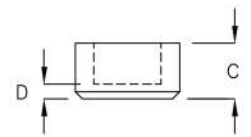
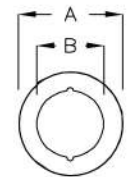
9-7-2



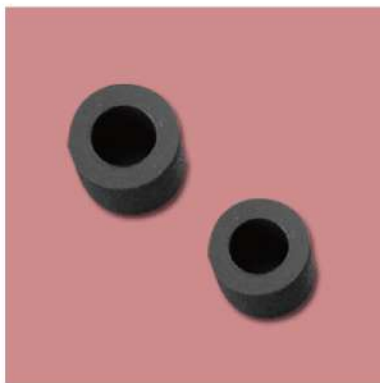
腳墊 RUBBER FOOT

MATERIAL: PU
COLOR: BLACK

PART NO	A	B	C	D	PACKAGE
LGA-01	∅15.0	∅9.7	8.0	2.1	500
LGA-02	∅15.0	∅9.7	8.5	2.35	



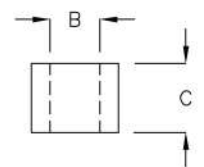
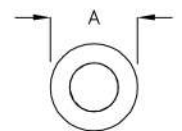
9-7-3



墊座 SILICONE RUBBER FOOT

MATERIAL: SILICONE
COLOR: BLACK

PART NO	A	B	C	PACKAGE
C120609A	∅12.0	∅6.8	9.5	2000



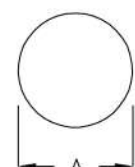
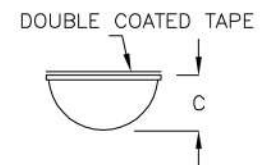
9-7-4



墊座 SILICONE RUBBER FOOT

MATERIAL: SILICONE
COLOR: BLACK
ADHESIVE TAPE: 3M or EQUIVALENT

PART NO	A	C	PACKAGE
S0603	∅6.3	3.0	3200
S0702	∅7.0	2.0	3000
S0803D	∅8.0	3.5	
S0904	∅8.8	3.6	1000
S0904MF	∅8.8	4.3	
S1105	∅10.7	5.2	
S1106	∅11.0	6.0	
S1608	∅15.9	8.0	



9-8-1



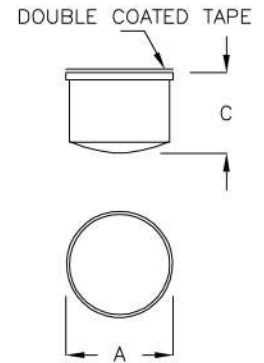
墊座 SILICONE RUBBER FOOT

MATERIAL: SILICONE

COLOR: BLACK

ADHESIVE TAPE: 3M or EQUIVALENT

PART NO	A	C	PACKAGE
U0802C	ø8.0	2.3	1000
U0802D	ø7.8	2.6	
U0802F	ø8.0	2.6	2000
U0802KM	ø8.0	2.4	1000
U1104F	ø11.4	4.8	1000
U1105	ø11.0	4.8	
U1815	ø18.0	14.5	500



9-8-2



墊座 SILICONE RUBBER FOOT

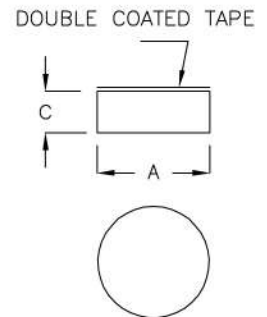
MATERIAL: SILICONE

COLOR: BLACK

ADHESIVE TAPE: 3M, or EQUIVALENT

◎ 我司可接受特別尺寸訂購

***ACCEPTABLE FOR CUSTOMIZED REQUEST**



PART NO	A	C	PACKAGE
R0301A	ø3.8	0.5	2000
R0401	ø4.0	1.0	
R0402	ø4.0	1.8	
R0501	ø4.8	1.0	
R0501A	ø5.0	1.5	
R0502	ø5.0	1.8	
R0502J	ø5.0	2.4	
R0503A	ø5.0	3.5	
R0601	ø5.7	1.0	
R0602	ø6.0	1.5	
R0602A	ø6.0	2.0	
R0602C	ø6.0	2.5	
R0603	ø6.0	3.0	
R0603S	ø6.4	2.6	
R0702F	ø6.5	2.0	
R0703A	ø6.5	3.2	
R0701J	ø7.0	1.0	
R0702C	ø7.0	2.0	
R0702A	ø7.0	2.2	
R0703	ø7.0	3.0	
R0701K	ø7.5	0.65	
R0801C	ø8.0	0.7	
R0801	ø8.0	1.0	
R0802H	ø8.0	1.5	
R0802	ø8.0	1.8	

PART NO	A	C	PACKAGE
R0802C	ø8.0	2.0	2000
R0802P	ø8.0	2.2	
R0803S	ø8.0	2.6	
R0803C	ø8.0	3.0	
R0803	ø8.0	3.2	
R0803F	ø8.0	3.4	
R0803D	ø8.0	3.5	
R0802L	ø8.2	2.0	
R0802K	ø8.5	2.0	
R0902C	ø9.0	2.0	
R0901	ø9.5	1.5	
R0902A	ø9.5	2.0	
R1001K	ø10.0	0.65	
R1001	ø10.0	1.0	
R1002	ø10.0	2.0	
R1002C	ø10.0	2.5	
R1003C	ø10.0	3.0	
R1003A	ø10.0	3.3	
R1202A	ø12.0	2.0	
R1202D	ø12.0	2.5	
R1202	ø12.7	2.0	
R1202C	ø12.7	2.5	
R1501	ø15.0	1.0	
R2103	ø21.0	3.0	
R2802M	ø28.0	2.5	500

墊座 SILICONE RUBBER FOOT

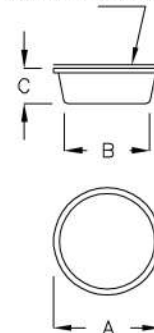


MATERIAL: SILICONE
COLOR: BLACK
ADHESIVE TAPE:
3M, or EQUIVALENT
***ACCEPTABLE FOR**
CUSTOMIZED REQUEST

© 我司可接受特別尺寸訂購

PART NO	A	B	C	PACKAGE
R0805	ø8.2	ø6.6	5.0	2000
R0806A	ø8.0	ø7.3	6.0	
R0808	ø8.0	ø7.05	8.0	
R0903	ø9.5	ø8.5	3.7	
R0906C	ø9.5	ø7.75	6.1	
R1003	ø10.9	ø10.0	3.0	1000
R1008	ø10.0	ø8.8	8.0	
R1105	ø10.9	ø9.7	5.0	
R1105F	ø11.0	ø10.0	5.9	2000
R1205	ø12.0	ø11.0	5.0	
R1302A	ø12.7	ø11.7	2.0	
R1303	ø12.6	ø10.0	3.5	
R1304	ø12.7	ø11.5	4.0	1000
R1305	ø12.7	ø10.6	4.7	
R1306	ø12.7	ø10.0	6.2	
R1307A	ø12.7	ø10.1	7.35	490
R1511	ø15.0	ø13.5	11.0	500
R1904	ø19.0	ø15.5	4.2	500
R1907	ø19.0	ø17.0	7.0	

DOUBLE COATED TAPE



墊座 SILICONE RUBBER FOOT

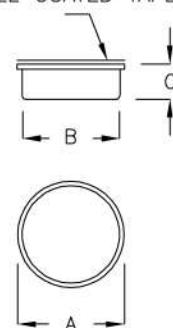


MATERIAL: SILICONE
COLOR: BLACK
ADHESIVE TAPE:
3M, or EQUIVALENT
***ACCEPTABLE FOR**
CUSTOMIZED REQUEST

© 我司可接受特別尺寸訂購

PART NO	A	B	C	PACKAGE
R0401D	ø4.5	ø4.0	1.7	2000
R0402DK	ø4.5	ø4.0	2.5	
R0404	ø4.0	ø3.7	4.5	
R0502KM	ø5.0	ø4.7	2.0	
R0502LK	ø5.5	ø5.2	2.2	
R0504	ø5.8	ø5.4	4.0	
R0603C	ø6.8	ø6.6	3.1	
R0603H	ø6.0	ø5.5	3.0	1280
R0605	ø6.0	ø5.7	5.2	
R0703C	ø7.0	ø6.8	3.2	2000
R0704K	ø7.0	ø6.5	4.0	
R0705A	ø7.0	ø6.7	4.6	
R0801LM	ø8.0	ø7.4	1.8	
R0802PQ	ø8.0	ø7.5	2.0	
R0803GQ	ø8.0	ø7.5	3.0	
R0803HD	ø8.0	ø7.5	2.6	
R0803MK	ø8.0	ø7.7	3.5	
R0804	ø8.0	ø7.8	3.7	1000
R0804A	ø8.0	ø7.8	4.5	
R0804F	ø8.5	ø8.0	4.0	2000
R0903S	ø9.4	ø9.0	3.2	
R0910A	ø9.0	ø8.8	10.2	500
R1004	ø9.7	ø9.4	4.2	2000
R1004C	ø10.5	ø10.5	4.5	500
R1005D	ø10.0	ø9.5	5.5	1000
R1009A	ø10.0	ø9.8	9.4	500
R1011	ø10.0	ø9.0	11.5	
R1502C	ø15.0	ø14.8	2.0	
R1505	ø15.4	ø14.9	5.1	
R1507	ø15.0	ø14.3	7.0	
R2210	ø22.0	ø21.7	10.4	

DOUBLE COATED TAPE



9-10-1



墊座 SILICONE RUBBER FOOT

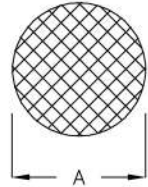
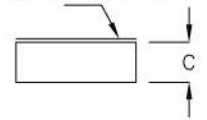
MATERIAL: SILICONE

COLOR: BLACK

ADHESIVE TAPE: 3M or EQUIVALENT

PART NO	A	C	PACKAGE
RX0902	∅9.0	2.0	2000
RX1003	∅10.0	3.0	
RX1202	∅12.5	2.0	1000
RX1203	∅12.0	3.0	2000
RX1502	∅15.0	2.0	1000
RX2503	∅25.0	3.0	

DOUBLE COATED TAPE



9-10-2



墊座 SILICONE RUBBER FOOT

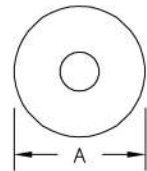
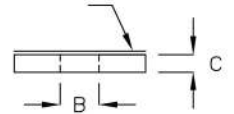
MATERIAL: SILICONE

COLOR: BLACK

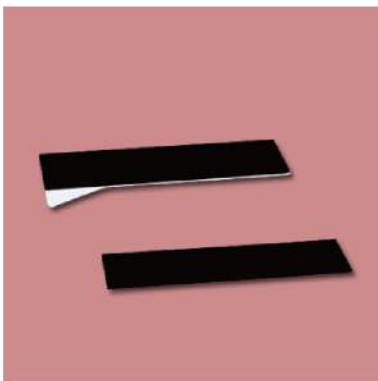
ADHESIVE TAPE: 3M or EQUIVALENT

PART NO	A	B	C	PACKAGE	
C050301	∅5.2	∅3.0	1.0	2000	
C060301	∅6.0	∅3.0	1.0		
C060302	∅6.0	∅3.0	2.0		
C070301	∅7.0	∅3.0	1.0		
C080401C	∅8.0	∅4.7	0.9		
C090202A	∅9.0	∅2.5	2.5		
C100501	∅10.0	∅5.0	1.0		
C120206	∅12.0	∅6.0	2.5		
C190603	∅18.9	∅5.6	2.54		1000
C311303	∅31.5	∅13.0	3.0		50

DOUBLE COATED TAPE



9-10-3



墊座 SILICONE RUBBER FOOT

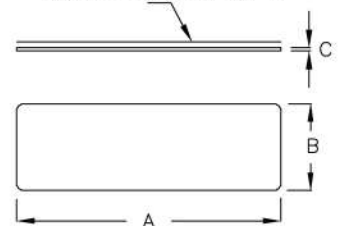
MATERIAL: SILICONE

COLOR: BLACK

ADHESIVE TAPE: 3M or EQUIVALENT

PART NO	A	B	C	PACKAGE
L1193901M	119.0	39.0	0.5	500

DOUBLE COATED TAPE



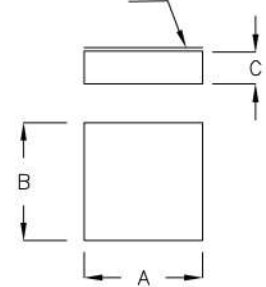
墊座 SILICONE RUBBER FOOT



MATERIAL: SILICONE
COLOR: BLACK
ADHESIVE TAPE:
3M, or EQUIVALENT
***ACCEPTABLE FOR**
CUSTOMIZED REQUEST

◎ 我司可接受特別尺寸訂購

DOUBLE COATED TAPE



PART NO	A	B	C	PACKAGE
L040401	4.0	4.0	1.0	2000
L040402	4.0	4.0	2.0	
L040402A	4.0	4.0	2.5	
L040403	4.0	4.0	3.0	
L040404	4.0	4.0	4.0	
L050302	5.0	3.0	2.5	
L050501KM	5.0	5.0	1.0	
L050502	5.0	5.0	2.0	
L050502C	5.0	5.0	2.5	
L050503	5.0	5.0	3.0	
L050504	5.0	5.0	4.0	
L050506	5.0	5.0	6.5	
L060201C	6.0	2.0	1.5	
L060602D	6.0	6.0	2.0	
L060602A	6.0	6.0	2.5	
L060603	6.0	6.0	3.0	
L060604	6.0	6.0	4.0	
L070707	6.5	6.5	6.5	
L080202C	8.0	2.5	2.2	
L080203	8.0	2.5	3.0	
L080403	8.0	4.0	3.5	
L080405	8.0	4.0	5.0	
L080602A	8.0	6.0	2.3	
L080802	8.0	8.0	2.5	
L080803	8.0	8.0	3.5	
L080804	8.0	8.0	4.0	
L080805	8.0	8.0	5.0	
L080806	8.0	8.0	6.0	
L080809	8.0	8.0	9.0	
L080811	8.0	8.0	11.5	
L100502A	10.0	5.0	2.5	
L100503A	10.0	5.0	3.5	
L100505	10.0	5.0	5.0	
L100705	10.0	7.0	5.0	
L100801A	10.0	8.0	1.8	
L100802	10.0	8.0	2.5	
L100805	10.0	8.0	5.0	
L101001	10.0	10.0	1.0	
L101002	10.0	10.0	2.5	
L101003A	10.0	10.0	3.0	

PART NO	A	B	C	PACKAGE
L101003	10.0	10.0	3.5	2000
L101004	10.0	10.0	4.0	
L101004A	10.0	10.0	4.6	
L101005	10.0	10.0	5.0	
L120802	12.0	8.0	2.5	
L120803	12.0	8.0	3.5	
L121003	12.0	10.0	3.5	
L121202	12.0	12.0	2.5	
L121203	12.0	12.0	3.5	
L121204	12.0	12.0	4.0	
L121205	12.0	12.0	5.0	
L150508	15.0	5.0	0.8	
L150603	15.0	6.0	3.0	
L150803	15.0	8.0	3.0	
L151005	15.0	10.0	5.0	
L160805	16.0	8.0	5.0	
L180802	18.0	8.0	2.5	
L180803	18.0	8.0	3.5	
L180804	18.0	8.0	4.0	
L180805	18.0	8.0	5.0	
L181003	18.0	10.0	3.5	
L181004	18.0	10.0	4.0	
L181005	18.0	10.0	5.0	
L181202	18.0	12.0	2.5	
L181204	18.0	12.0	4.0	
L181205	18.0	12.0	5.0	
L181802	18.0	18.0	2.5	
L181803	18.0	18.0	3.5	
L181804	18.0	18.0	4.0	
L181805	18.0	18.0	5.0	
L201002S	20.0	10.0	2.5	500
L201008	20.0	10.0	8.0	
L251501	25.0	15.0	1.5	
L281901M	28.5	19.0	0.5	
L303008	30.0	30.0	8.0	
L351002	35.0	10.0	2.3	
L400602A	40.0	6.4	2.0	
L454504	45.0	45.0	4.0	
L602005	60.0	20.0	5.0	
L18004003	180.0	40.0	3.0	
L3300702A	330.8	7.2	2.0	

PINGOOD

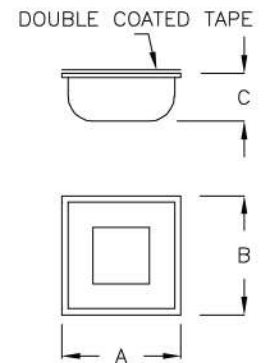
9-12-1



墊座 SILICONE RUBBER FOOT

MATERIAL: SILICONE
COLOR: BLACK
ADHESIVE TAPE: 3M or EQUIVALENT

PART NO	A	B	C	PACKAGE
Q202008	20.4	20.4	8.0	2000
Q381015C	38.0	10.5	14.5	500
Q381410C	38.0	14.5	10.5	



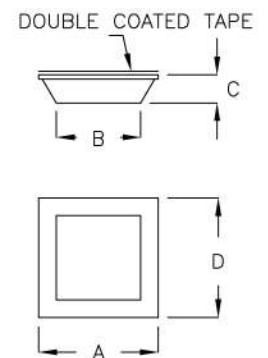
9-12-2



墊座 SILICONE RUBBER FOOT

MATERIAL: SILICONE
COLOR: BLACK
ADHESIVE TAPE: 3M or EQUIVALENT

PART NO	A	B	C	D	PACKAGE
T110803	10.5	8.0	3.0	10.5	2000
T130706	12.7	6.8	6.0	12.7	
T130903	12.7	9.0	3.0	12.7	
T131003	12.7	10.0	3.1	12.7	
T202023	20.0	17.8	23.0	20.0	500
T211308	20.5	12.3	7.6	20.5	



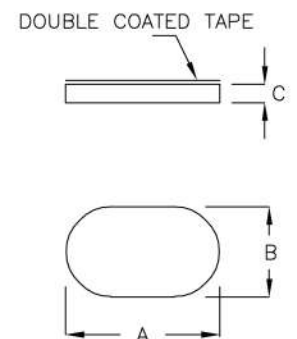
9-12-3



墊座 SILICONE RUBBER FOOT

MATERIAL: SILICONE
COLOR: BLACK
ADHESIVE TAPE: 3M or EQUIVALENT

PART NO	A	B	C	PACKAGE
GLQ-2K	18.4	6.4	2.0	2000
GLQ-12	12.0	4.5	1.2	
GLQ-16	16.0	8.0	2.0	
GLQ-16A	16.0	8.0	2.5	



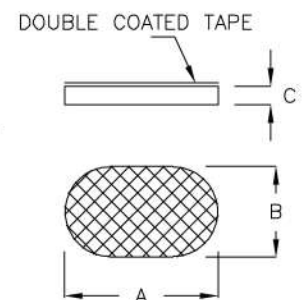
9-12-4



墊座 SILICONE RUBBER FOOT

MATERIAL: SILICONE
COLOR: BLACK
ADHESIVE TAPE: 3M or EQUIVALENT

PART NO	A	B	C	PACKAGE
GLQ-19	19.4	7.4	1.2	2000



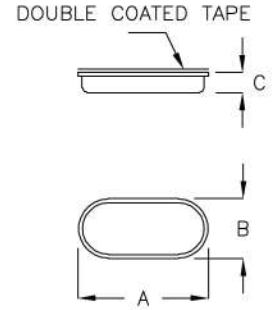
— 9-13-1 —

墊座 SILICONE RUBBER FOOT



MATERIAL: SILICONE
COLOR: BLACK
ADHESIVE TAPE: 3M or EQUIVALENT

PART NO	A	B	C	PACKAGE
GLQ-3K	13.1	6.1	3.5	2000
GLQ-13	13.0	6.0	2.0	



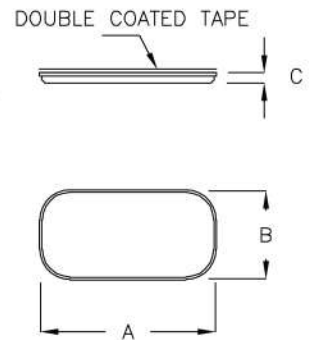
— 9-13-2 —

墊座 SILICONE RUBBER FOOT



MATERIAL: SILICONE
COLOR: BLACK
ADHESIVE TAPE: 3M or EQUIVALENT

PART NO	A	B	C	PACKAGE
GLQ-2J	41.5	22.1	2.5	500



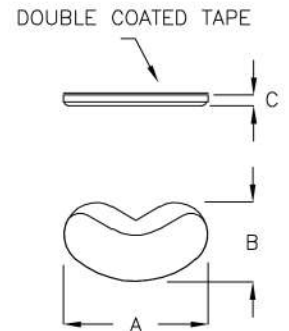
— 9-13-3 —

墊座 SILICONE RUBBER FOOT



MATERIAL: SILICONE
COLOR: BLACK
ADHESIVE TAPE: 3M or EQUIVALENT

PART NO	A	B	C	PACKAGE
GLC-2A	37.05	20.5	2.5	1000



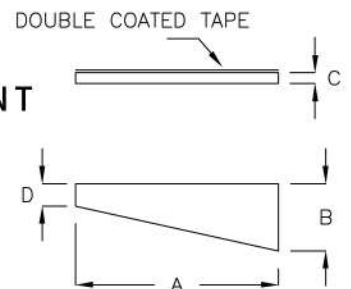
— 9-13-4 —

墊座 SILICONE RUBBER FOOT



MATERIAL: SILICONE
COLOR: BLACK
ADHESIVE TAPE: 3M or EQUIVALENT

PART NO	A	B	C	D	PACKAGE
GTT-45	45.0	15.0	2.5	5.0	2000



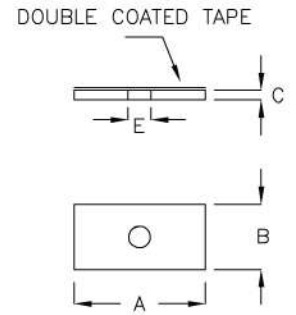
— 9-14-1 —

墊座 SILICONE RUBBER FOOT



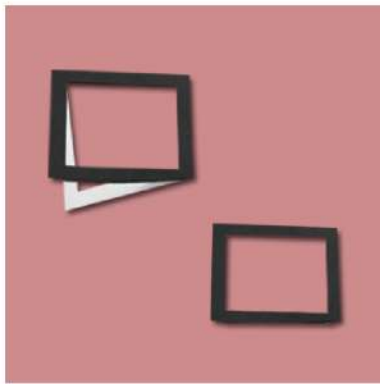
MATERIAL: SILICONE
COLOR: BLACK
ADHESIVE TAPE: 3M or EQUIVALENT

PART NO	A	B	C	E	PACKAGE
GXA-01	20.0	10.0	1.5	∅3.5	2000



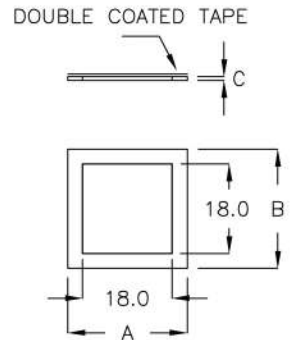
— 9-14-2 —

墊座 SILICONE RUBBER FOOT



MATERIAL: SILICONE
COLOR: BLACK
ADHESIVE TAPE: 3M or EQUIVALENT

PART NO	A	B	C	D	PACKAGE
GSP-24	24.0	24.0	0.6	18.0	500



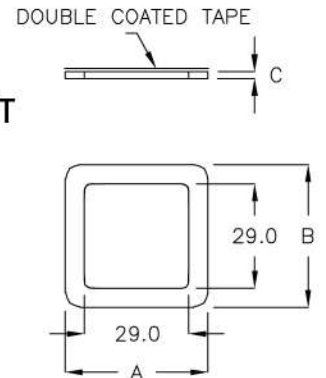
— 9-14-3 —

墊座 SILICONE RUBBER FOOT



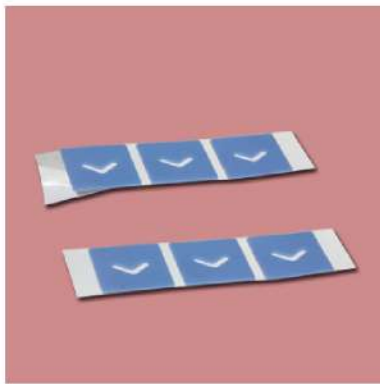
MATERIAL: SILICONE
COLOR: BLACK
ADHESIVE TAPE: 3M or EQUIVALENT

PART NO	A	B	C	PACKAGE
LDA-3901XB	39.6	39.6	1.9	400



— 9-14-4 —

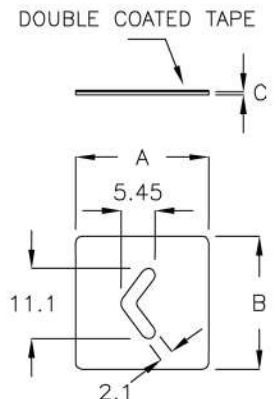
墊座 SILICONE RUBBER FOOT



MATERIAL: SILICONE
COLOR: BLUE
ADHESIVE TAPE: 3M or EQUIVALENT

NEW

PART NO	A	B	C	PACKAGE
★ GLD-21	21.0	21.0	0.5	500



10



拉柄

CIRCUIT BOARD EJECTOR

拉柄 CIRCUIT BOARD EJECTOR

PINGOOD

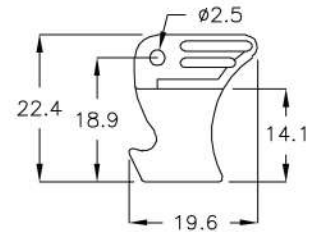
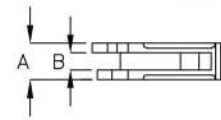
10-2-1



把手蓋 EJECTOR COVER

MATERIAL: ABS+PC
FLAME CLASS: 94V-0
COLOR: ORANGE

PART NO	A	B	PACKAGE
MKL-01	5.6	2.6	500



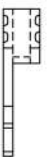
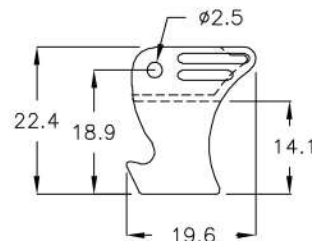
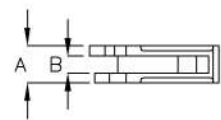
10-2-2



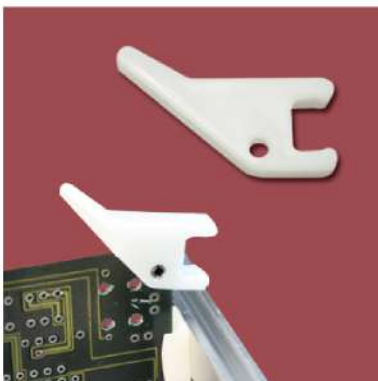
把手蓋 EJECTOR COVER

MATERIAL: ABS+PC
FLAME CLASS: 94V-0
COLOR: BLACK

PART NO	A	B	PACKAGE
MKL-2A	5.6	2.6	500



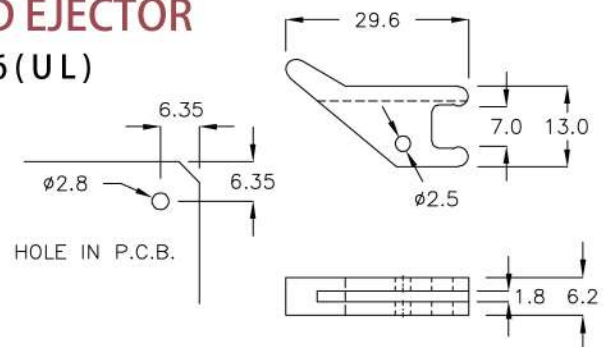
10-2-3



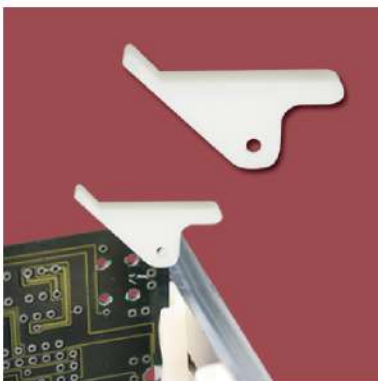
拉柄 CIRCUIT BOARD EJECTOR

MATERIAL: NYLON 66(UL)
FLAME CLASS: 94V-2
COLOR: NATURAL
*WITH PIN
附 PIN

PART NO	PACKAGE
CP-10	200



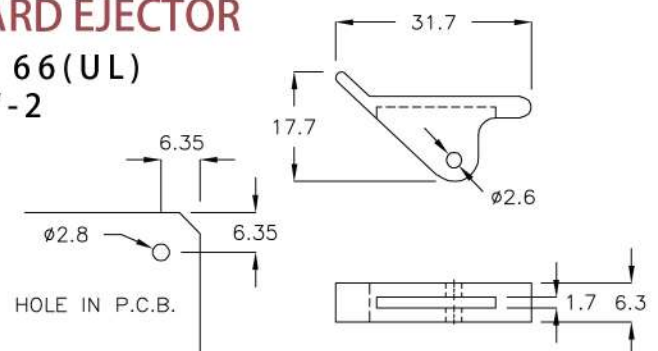
10-2-4



拉柄 CIRCUIT BOARD EJECTOR

MATERIAL: NYLON 66(UL)
FLAME CLASS: 94V-2
COLOR: NATURAL
*WITH PIN
附 PIN

PART NO	PACKAGE
CP-15	200



拉柄 CIRCUIT BOARD EJECTOR

PINGOOD

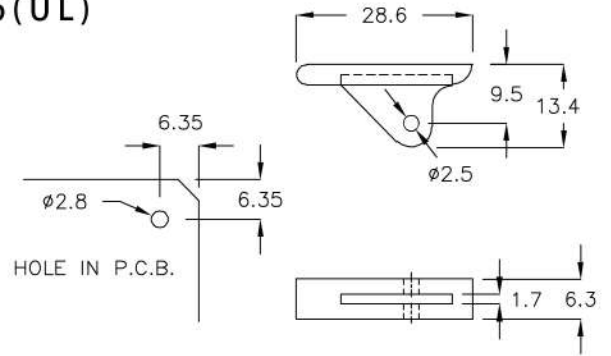
10-3-1

拉柄 CIRCUIT BOARD EJECTOR



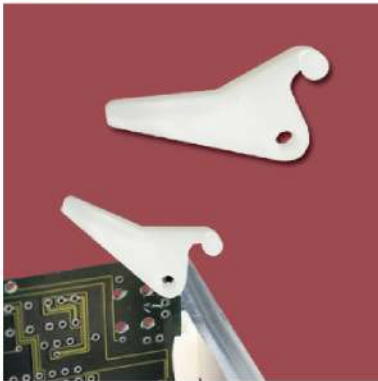
MATERIAL: NYLON 66(UL)
 FLAME CLASS: 94V-2
 COLOR: NATURAL
 *WITH PIN
 附 PIN

PART NO	PACKAGE
CP-20	200



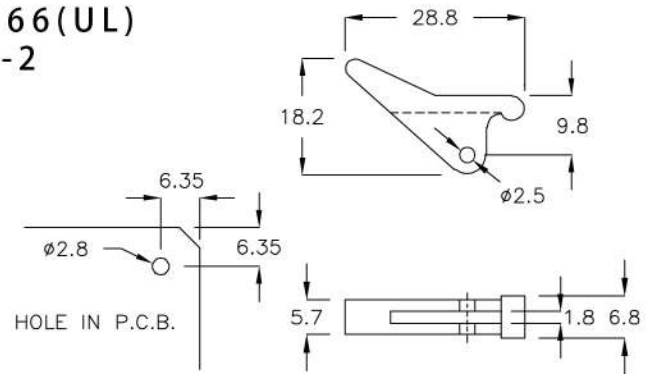
10-3-2

拉柄 CIRCUIT BOARD EJECTOR



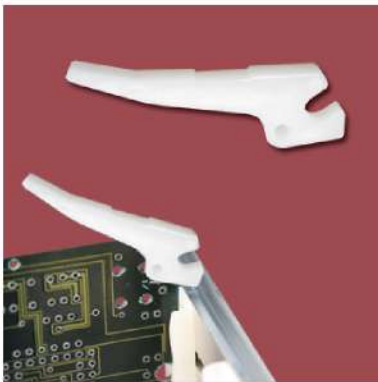
MATERIAL: NYLON 66(UL)
 FLAME CLASS: 94V-2
 COLOR: NATURAL
 *WITH PIN
 附 PIN

PART NO	PACKAGE
CP-25	200



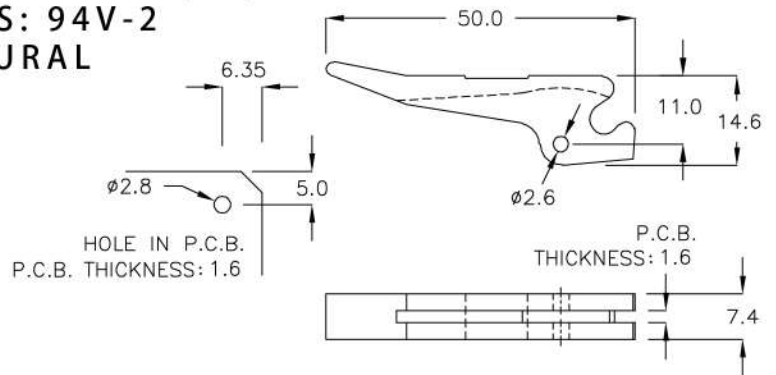
10-3-3

拉柄 CIRCUIT BOARD EJECTOR



MATERIAL: NYLON 66(UL)
 FLAME CLASS: 94V-2
 COLOR: NATURAL
 *WITH PIN
 附 PIN

PART NO	PACKAGE
CP-30	200

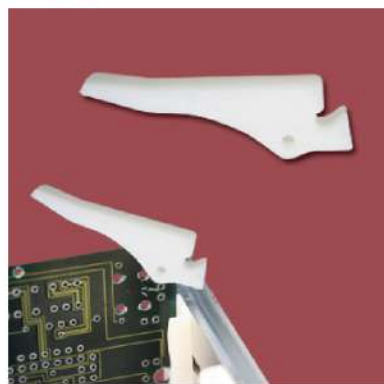


拉柄 CIRCUIT BOARD EJECTOR

PINGOOD

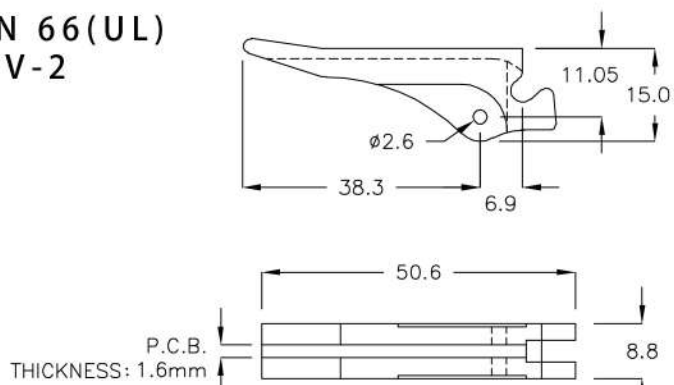
10-4-1

拉柄 CIRCUIT BOARD EJECTOR



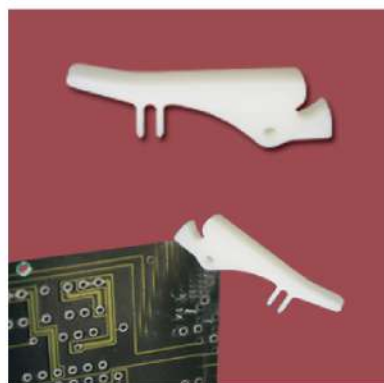
MATERIAL: NYLON 66(UL)
 FLAME CLASS: 94V-2
 COLOR: NATURAL
 *WITH PIN
 附PIN

PART NO	PACKAGE
CP-31	200



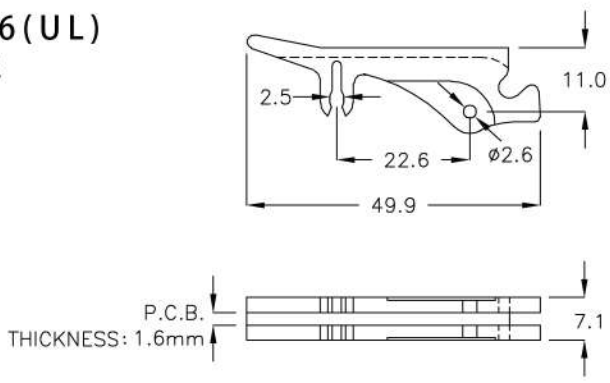
10-4-2

拉柄 CIRCUIT BOARD EJECTOR



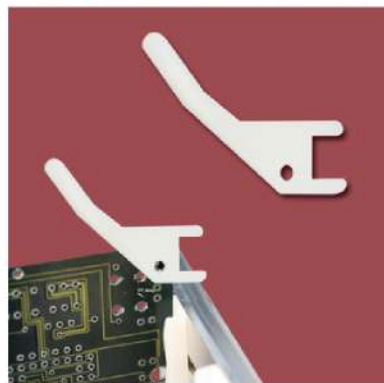
MATERIAL: NYLON 66(UL)
 FLAME CLASS: 94V-2
 COLOR: NATURAL
 *WITH PIN
 附PIN

PART NO	PACKAGE
CP-31C	200



10-4-3

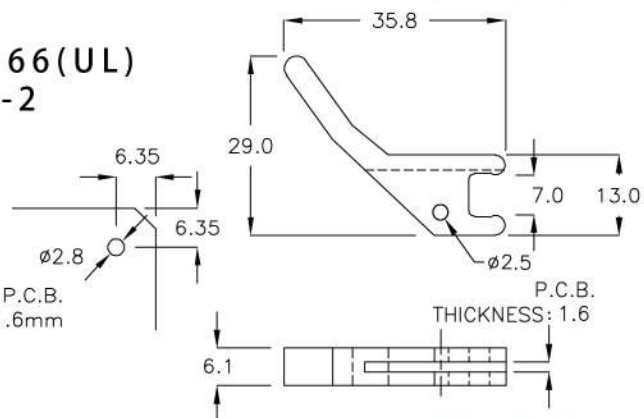
拉柄 CIRCUIT BOARD EJECTOR



MATERIAL: NYLON 66(UL)
 FLAME CLASS: 94V-2
 COLOR: NATURAL
 *WITH PIN
 附PIN

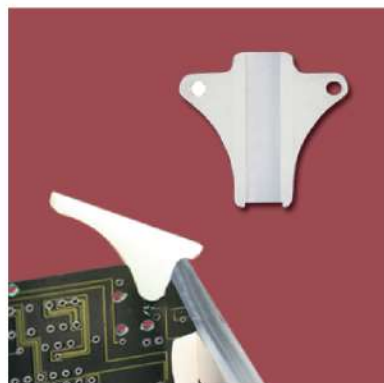
PART NO	PACKAGE
CP-32	200

HOLE IN P.C.B.
 P.C.B. THICKNESS: 1.6mm



10-4-4

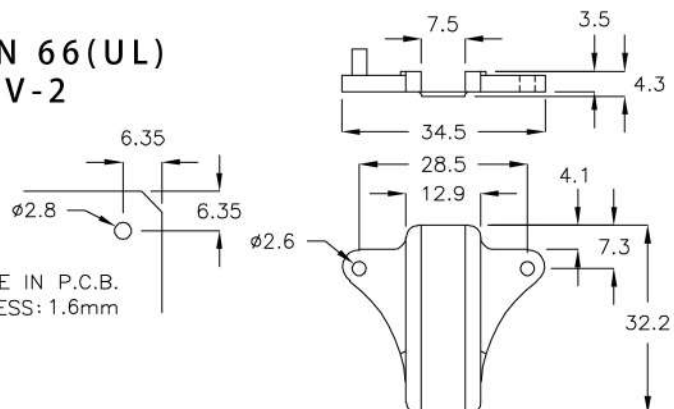
拉柄 CIRCUIT BOARD EJECTOR



MATERIAL: NYLON 66(UL)
 FLAME CLASS: 94V-2
 COLOR: NATURAL

PART NO	PACKAGE
CP-33	500

HOLE IN P.C.B.
 P.C.B. THICKNESS: 1.6mm

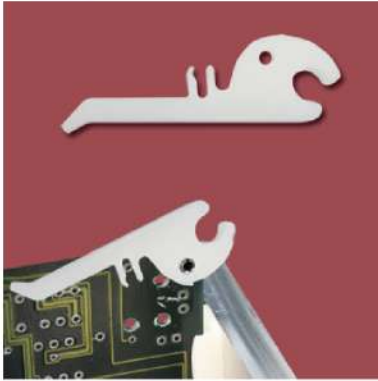


拉柄 CIRCUIT BOARD EJECTOR

PINGOOD

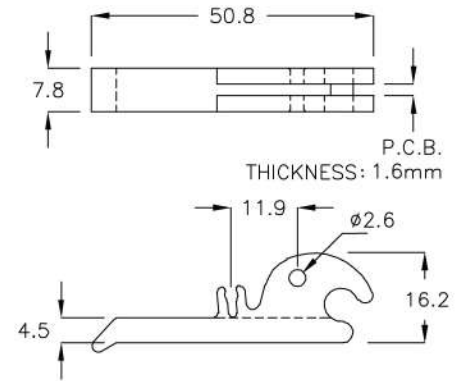
10-5-1

拉柄 CIRCUIT BOARD EJECTOR



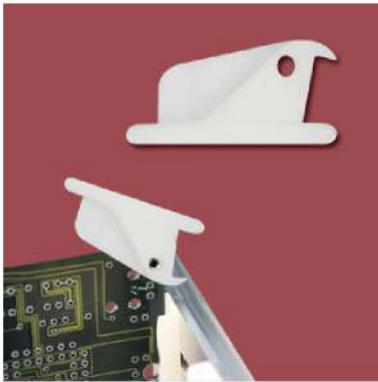
MATERIAL: NYLON 66(UL)
FLAME CLASS: 94V-2
COLOR: NATURAL
***WITH PIN**
附PIN

PART NO	PACKAGE
CP-034	200



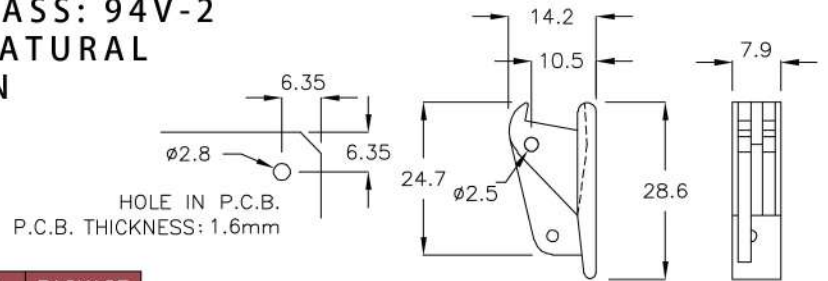
10-5-2

拉柄 CIRCUIT BOARD EJECTOR



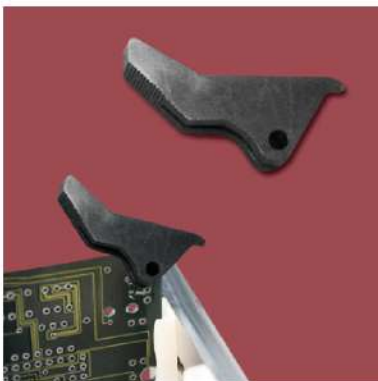
MATERIAL: NYLON 66(UL)
FLAME CLASS: 94V-2
COLOR: NATURAL
***WITH PIN**
附PIN

PART NO	PACKAGE
CP-35	200



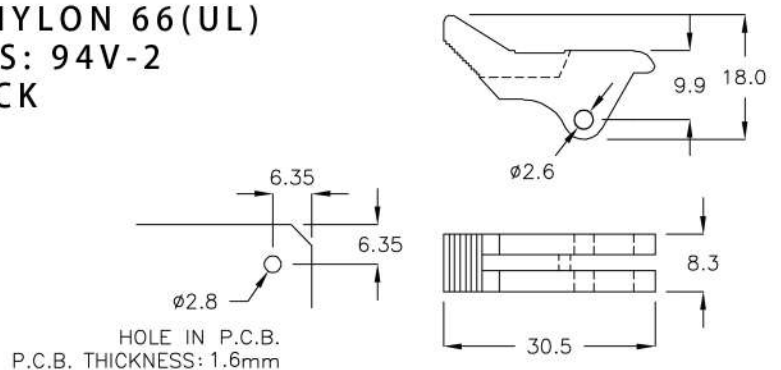
10-5-3

拉柄 CIRCUIT BOARD EJECTOR



MATERIAL: NYLON 66(UL)
FLAME CLASS: 94V-2
COLOR: BLACK
***WITH PIN**
附PIN

PART NO	PACKAGE
CP-36	200

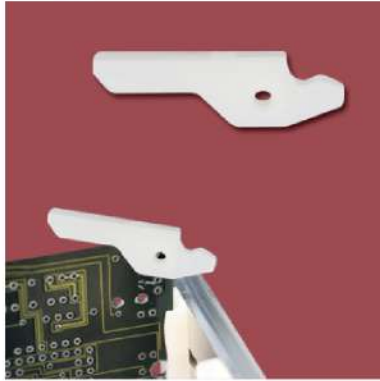


拉柄 CIRCUIT BOARD EJECTOR

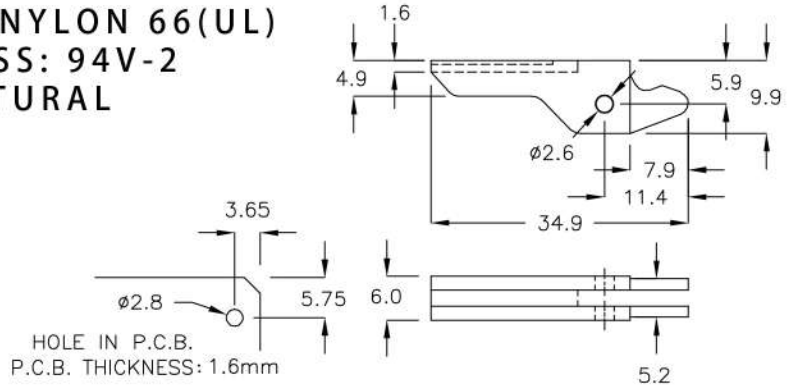
PINGOOD

10-6-1

拉柄 CIRCUIT BOARD EJECTOR



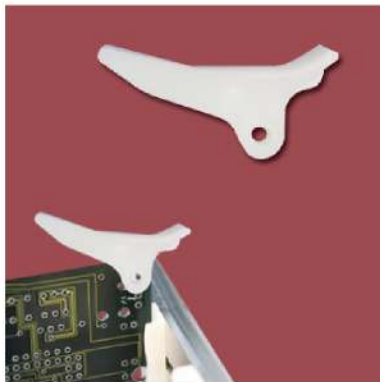
MATERIAL: NYLON 66(UL)
 FLAME CLASS: 94V-2
 COLOR: NATURAL
 *WITH PIN
 附PIN



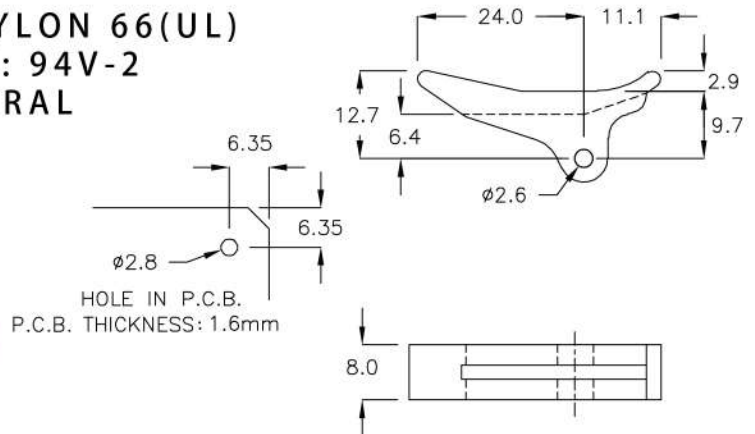
PART NO	PACKAGE
CP-37	200

10-6-2

拉柄 CIRCUIT BOARD EJECTOR



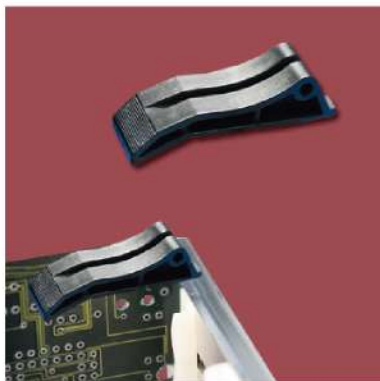
MATERIAL: NYLON 66(UL)
 FLAME CLASS: 94V-2
 COLOR: NATURAL
 *WITH PIN
 附PIN



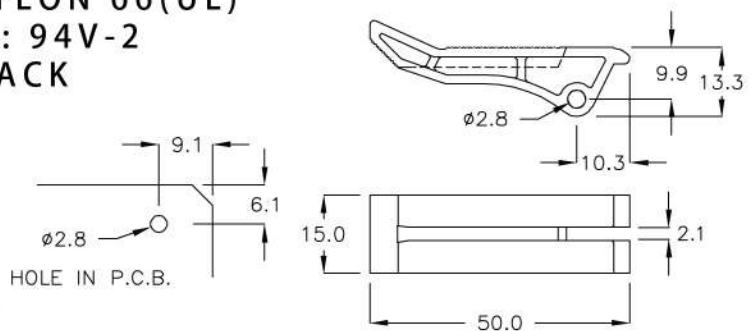
PART NO	PACKAGE
CP-39	200

10-6-3

拉柄 CIRCUIT BOARD EJECTOR



MATERIAL: NYLON 66(UL)
 FLAME CLASS: 94V-2
 COLOR: VVBLACK



PART NO	PACKAGE
CP-50D	200

拉柄 CIRCUIT BOARD EJECTOR

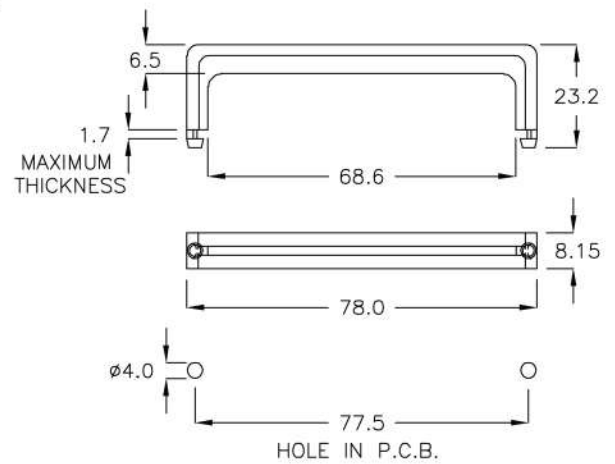
PINGOOD

10-7-1

拉柄 CIRCUIT BOARD EJECTOR (CP-50)



MATERIAL: ABS+PC
FLAME CLASS: 94V-2
COLOR: NATURAL
PACKAGE: 100

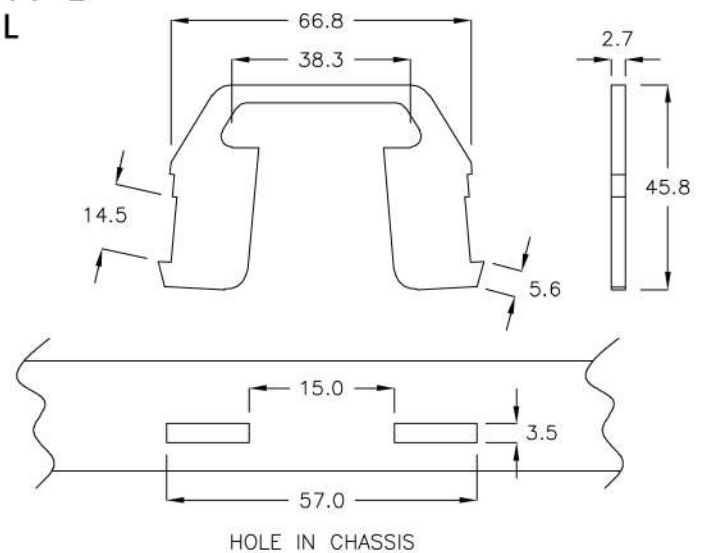


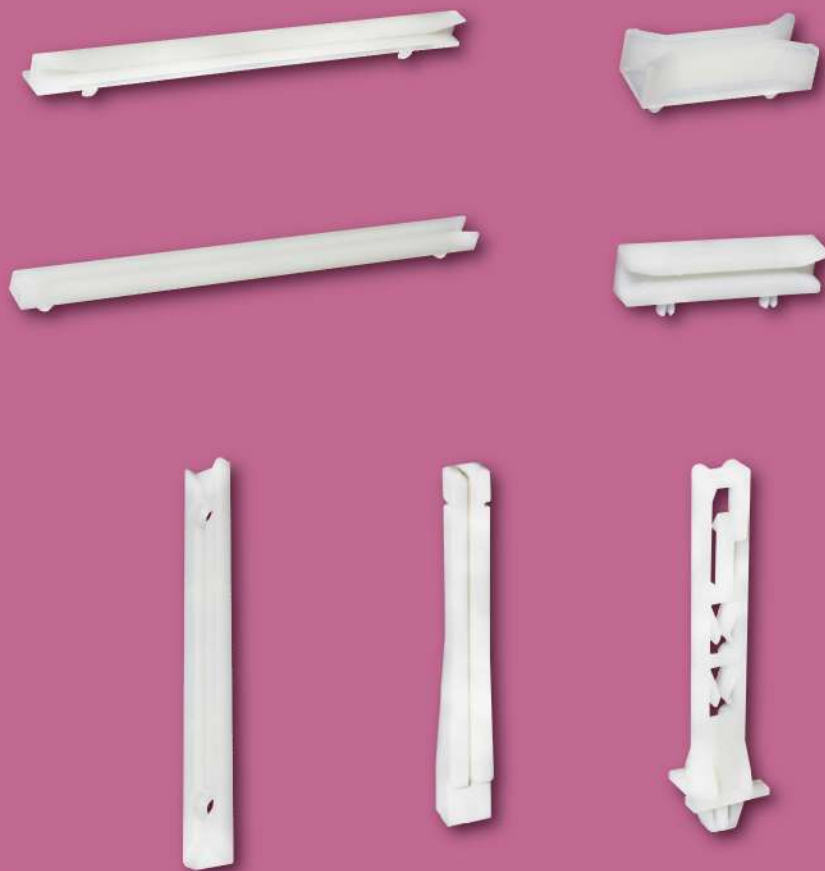
10-7-2

拉柄 CIRCUIT BOARD EJECTOR (CP-60)



MATERIAL: NYLON 66(UL)
FLAME CLASS: 94V-2
COLOR: NATURAL
PACKAGE: 100





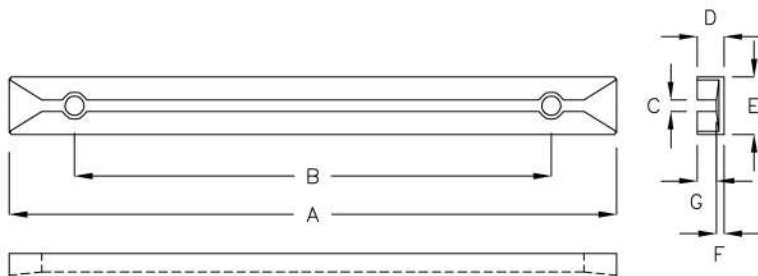
導槽
P.C.B GUIDE RAIL

導槽 P.C.B GUIDE RAIL

PINGOOD

11-2-1

印刷電路板導槽 PCB GUIDE RAIL

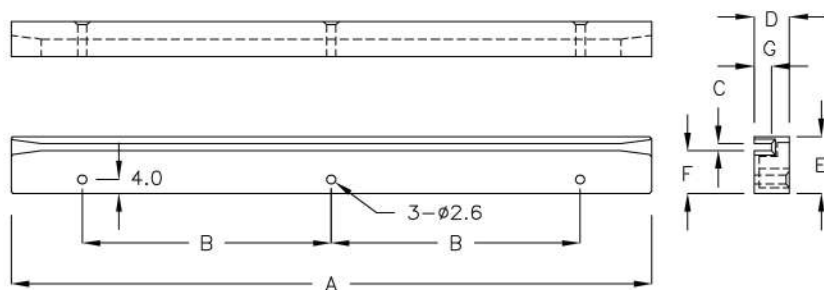


MATERIAL: NYLON 66(UL)
 FLAME CLASS: 94V-2
 COLOR: NATURAL
 MOUNT SCREW:
 M3x6mm FLAT HEAD SCREW

PART NO	A	B	C	D	E	F	G	PACKAGE
CG-9	89.0	64.5	1.9	4.5	9.8	1.5	3.0	100
CG-9AS	100.0	77.4	2.2	7.2	10.0	1.7	5.5	
CG-9L	91.0	67.0	1.9	8.8	9.2	1.6	7.2	
CG-12	119.0	94.5	1.6	4.5	9.8	1.5	3.0	
CG-12F	119.0	94.5	1.9	4.5	9.8	1.5	3.0	
CG-14	139.8	114.5	1.9	4.3	9.7	1.5	2.8	
CG-16	158.7	135.0	1.9	4.3	9.7	1.5	2.8	
CG-18	180.0	150.0	3.5	9.0	12.0	3.0	6.0	

11-2-2

印刷電路板導槽 PCB GUIDE RAIL

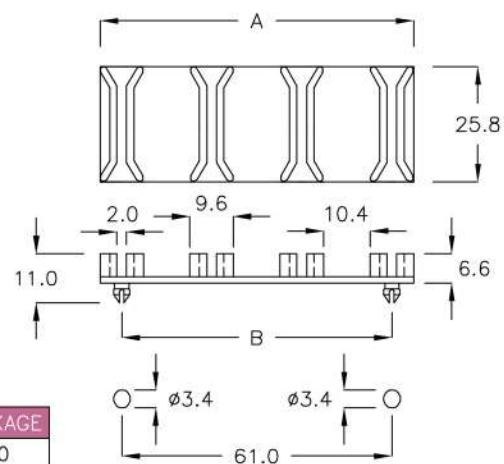


MATERIAL: NYLON 66(UL)
 FLAME CLASS: 94V-2
 COLOR: NATURAL

PART NO	A	B	C	D	E	F	G	PACKAGE
CF-180	180.5	70.0	2.0	10.0	16.0	12.0	5.0	50

11-2-3

印刷電路板導槽 PCB GUIDE RAIL



MATERIAL: NYLON 66(UL)
 FLAME CLASS: 94V-2
 COLOR: NATURAL
 NO EXTRA SCREW NEEDED

PART NO	A	B	PACKAGE
CG-2Ax4	70.5	61.0	50

HOLE IN CHASSIS
 MAXIMUM THICKNESS:1.2mm

導槽 P.C.B GUIDE RAIL

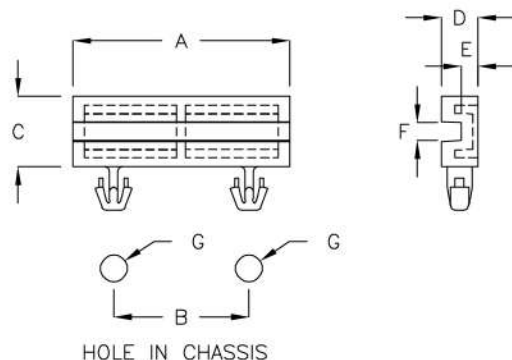
PINGOOD

11-3-1

印刷電路板導槽 PCB GUIDE RAIL



MATERIAL: NYLON 66(UL)
FLAME CLASS: 94V-2
COLOR: NATURAL
NO EXTRA SCREW NEEDED



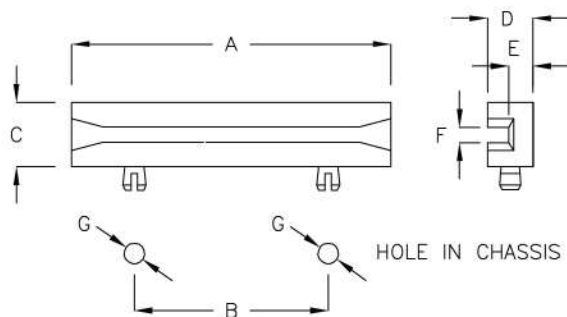
PART NO	A	B	C	D	E	F	G	CHASSIS THICKNESS	PACKAGE
CG-24RM	24.0	15.0	7.8	4.0	1.8	2.0	∅3.0	2.0	500

11-3-2

印刷電路板導槽 PCB GUIDE RAIL



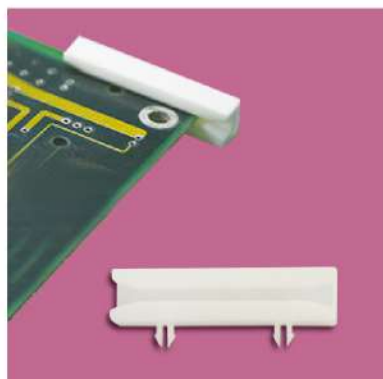
MATERIAL: NYLON 66(UL)
FLAME CLASS: 94V-2
COLOR: NATURAL
NO EXTRA SCREW NEEDED



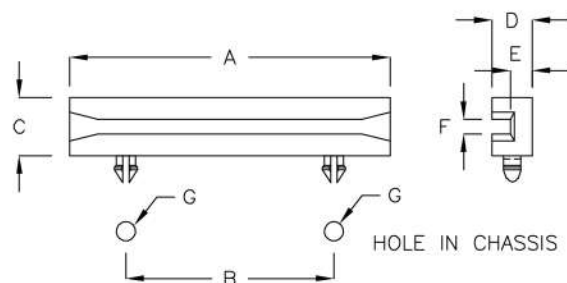
PART NO	A	B	C	D	E	F	G	MAXIMUM THICKNESS	PACKAGE
CG-4A	38.3	20.2	9.3	6.5	3.5	2.3	∅3.0	1.2	500

11-3-3

印刷電路板導槽 PCB GUIDE RAIL



MATERIAL: NYLON 66(UL)
FLAME CLASS: 94V-2
COLOR: NATURAL
NO EXTRA SCREW NEEDED



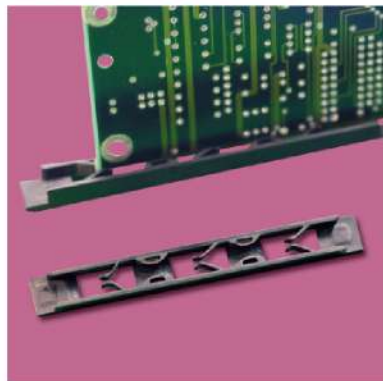
PART NO	A	B	C	D	E	F	G	MAXIMUM THICKNESS	PACKAGE
CG-04E	38.3	20.0	9.3	6.5	3.5	1.8	∅3.5	1.6	500
CG-04C	38.3	20.2	9.3	6.5	3.5	2.3	∅3.2	1.6	
CG-04H	50.0	40.0	7.0	6.0	3.0	2.0	∅3.2	1.6	100
CG-08C	80.5	60.0	9.4	6.4	3.4	2.3	∅3.2	1.6	
CG-08D	80.5	60.0	8.0	6.0	3.0	2.0	∅3.2	1.6	
CG-08H	80.5	60.0	8.0	6.0	3.0	2.0	∅3.2	2.6	

導槽 P.C.B GUIDE RAIL

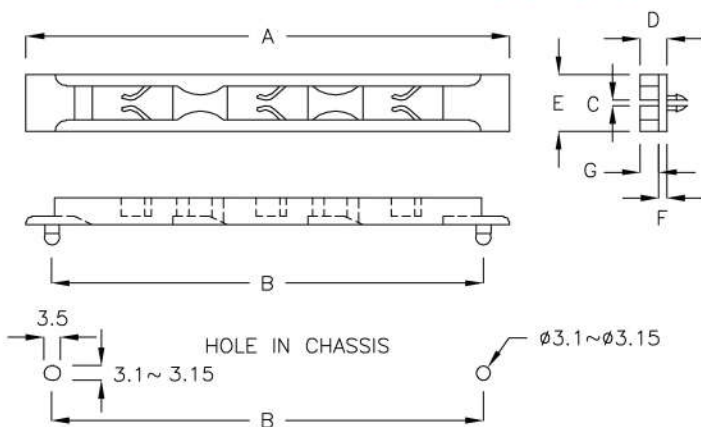
PINGOOD

11-4-1

印刷電路板導槽 PCB GUIDE RAIL



MATERIAL: NYLON 66(UL)
 FLAME CLASS: 94V-2
 COLOR: BLACK
 NO EXTRA SCREW NEEDED



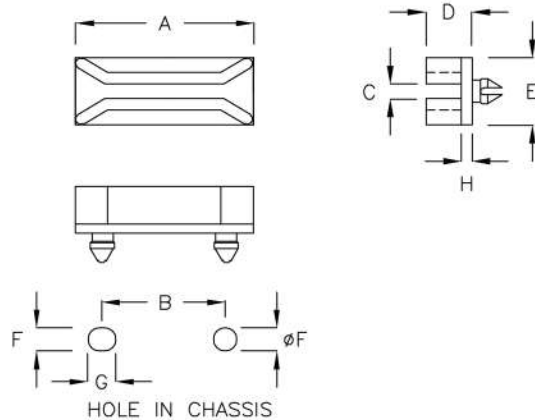
PART NO	A	B	C	D	E	F	G	MAXIMUM THICKNESS	PACKAGE
CG-10B	102.8	91.9	1.1	5.6	11.9	1.7	3.9	2.3	100

11-4-2

印刷電路板導槽 PCB GUIDE RAIL



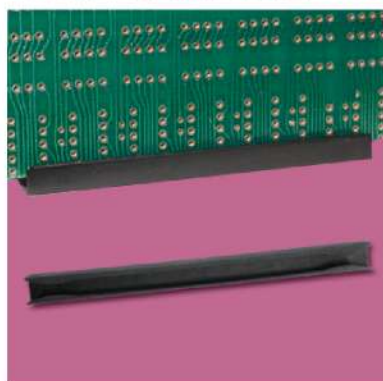
MATERIAL: NYLON 66(UL)
 FLAME CLASS: 94V-2
 COLOR: NATURAL
 NO EXTRA SCREW NEEDED



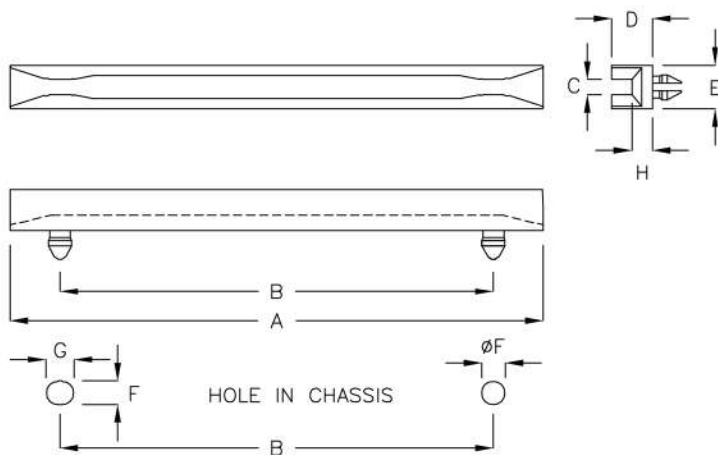
PART NO	A	B	C	D	E	F	G	H	MAXIMUM THICKNESS	PACKAGE
CG-2A	26.0	18.0	1.9	6.8	9.7	3.4	4.0	1.3	1.2	500

11-4-3

印刷電路板導槽 PCB GUIDE RAIL



MATERIAL: NYLON 66(UL)
 FLAME CLASS: 94V-2
 COLOR: BLACK
 NO EXTRA SCREW NEEDED



PART NO	A	B	C	D	E	F	G	H	MAXIMUM THICKNESS	PACKAGE
CG-06A	76.8	62.5	2.2	5.9	6.3	3.4	4.0	3.0	1.0	200

導槽 P.C.B GUIDE RAIL

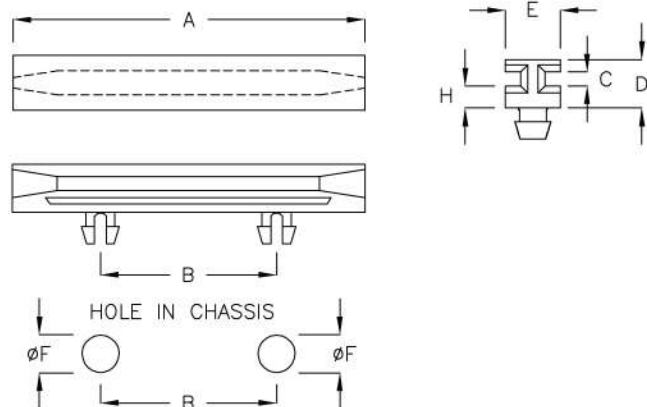
PINGOOD

11-5-1

印刷電路板導槽 PCB GUIDE RAIL



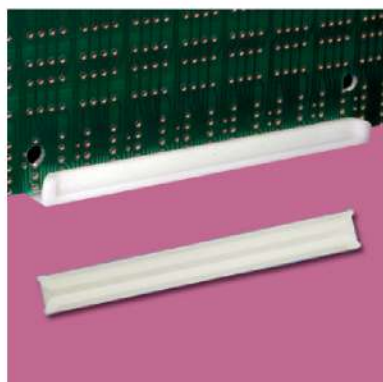
MATERIAL: NYLON 66(UL)
 FLAME CLASS: 94V-2
 COLOR: NATURAL
 NO EXTRA SCREW NEEDED



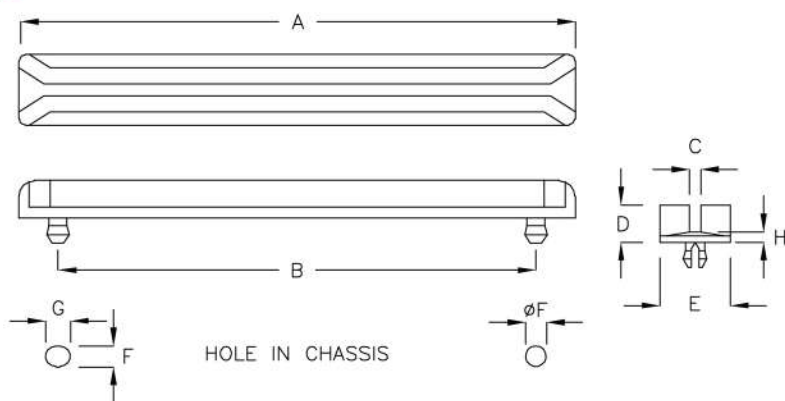
PART NO	A	B	C	D	E	F	H	MAXIMUM THICKNESS	PACKAGE
CG-5D	50.8	25.4	2.0	7.0	7.9	4.4	3.2	1.6	200

11-5-2

印刷電路板導槽 PCB GUIDE RAIL



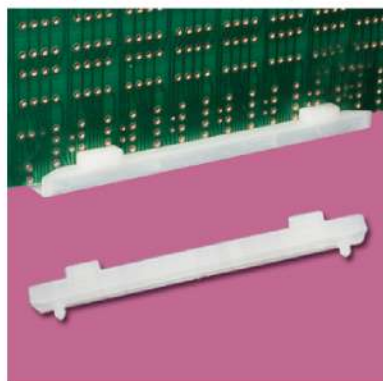
MATERIAL: NYLON 66(UL)
 FLAME CLASS: 94V-2
 COLOR: NATURAL
 NO EXTRA SCREW NEEDED



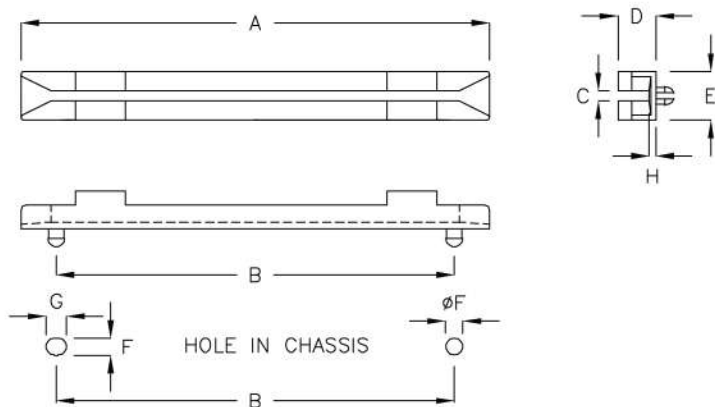
PART NO	A	B	C	D	E	F	G	H	MAXIMUM THICKNESS	PACKAGE
CG-9B	89.2	76.85	1.9	6.0	11.3	3.4	4.0	1.6	1.2	100

11-5-3

印刷電路板導槽 PCB GUIDE RAIL



MATERIAL: NYLON 66(UL)
 FLAME CLASS: 94V-2
 COLOR: NATURAL
 NO EXTRA SCREW NEEDED



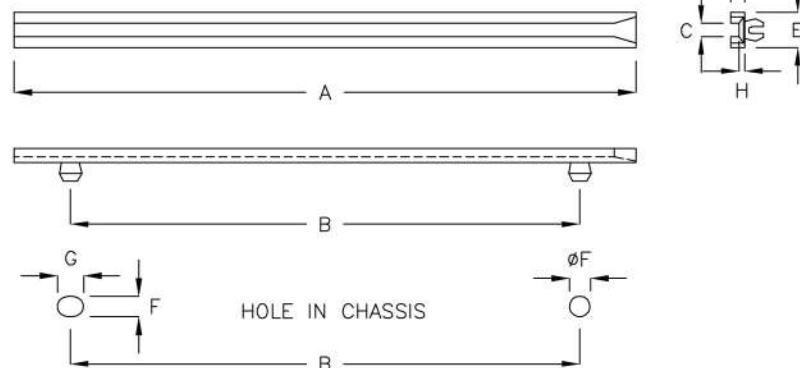
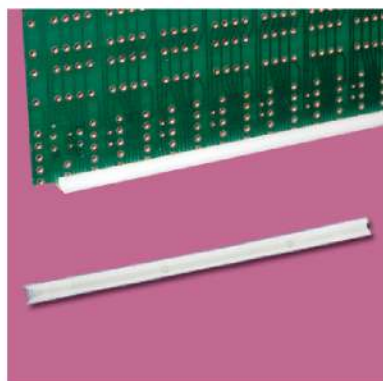
PART NO	A	B	C	D	E	F	G	H	MAXIMUM THICKNESS	PACKAGE
CG-9AW	89.7	76.7	1.9	11.6	9.7	3.4	4.0	1.3	1.2	100
CG-9D	89.7	76.8	1.9	7.1	9.5	3.4	4.0	1.4	1.2	

導槽 P.C.B GUIDE RAIL

PINGOOD

11-6-1

印刷電路板導槽 PCB GUIDE RAIL

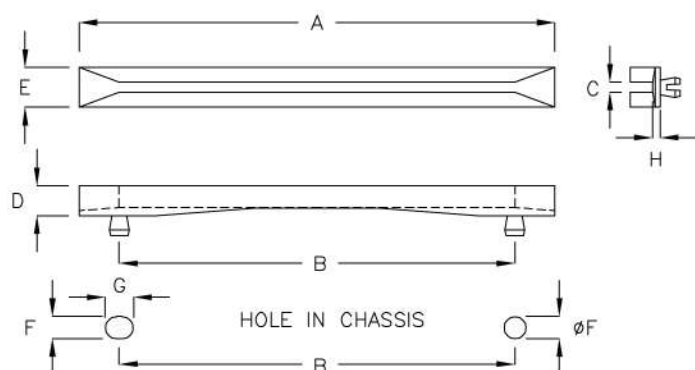
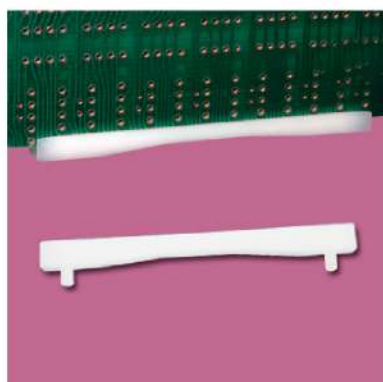


MATERIAL: NYLON 66(UL)
FLAME CLASS: 94V-2
COLOR: NATURAL
NO EXTRA SCREW NEEDED

PART NO	A	B	C	D	E	F	G	H	MAXIMUM THICKNESS	PACKAGE
CG-14C	140.2	114.8	2.0	3.2	8.0	4.8	5.9	1.3	1.2	100
CG-14D	140.2	114.8	3.0	3.2	8.0	4.8	5.9	1.3	1.7	

11-6-2

印刷電路板導槽 PCB GUIDE RAIL

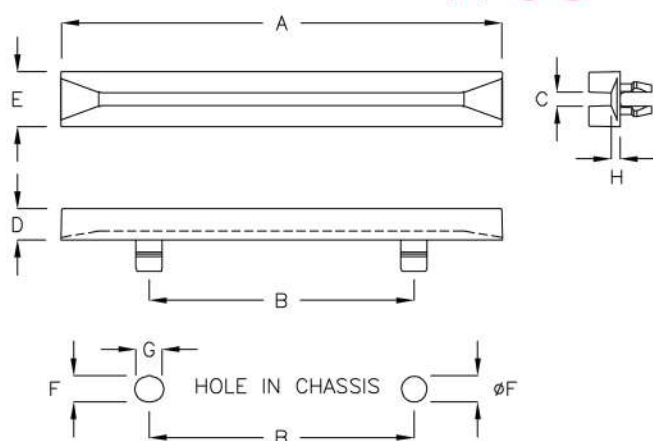
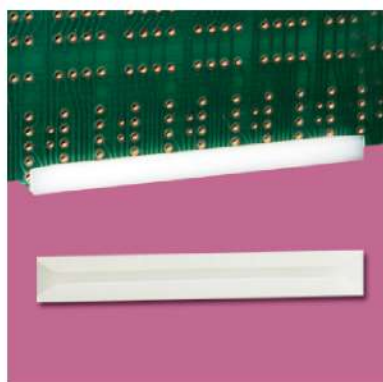


MATERIAL: NYLON 66(UL)
FLAME CLASS: 94V-2
COLOR: NATURAL
NO EXTRA SCREW NEEDED

PART NO	A	B	C	D	E	F	G	H	MAXIMUM THICKNESS	PACKAGE
CG-7B	76.2	63.5	1.9	4.8	6.4	3.2	4.1	0.9	1.3	100

11-6-3

印刷電路板導槽 PCB GUIDE RAIL



MATERIAL: NYLON 66(UL)
FLAME CLASS: 94V-2
COLOR: NATURAL
NO EXTRA SCREW NEEDED

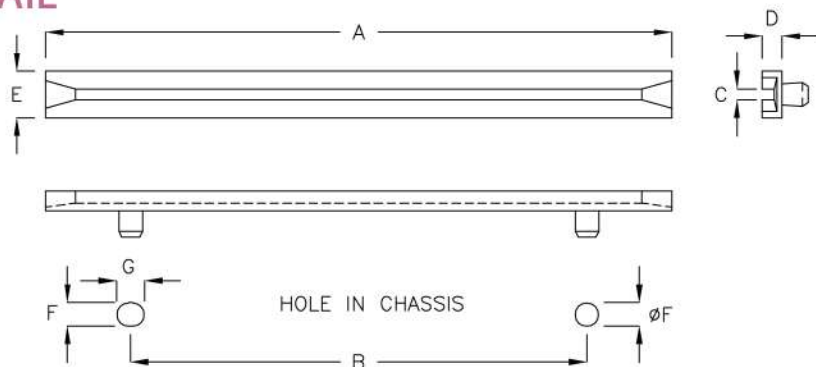
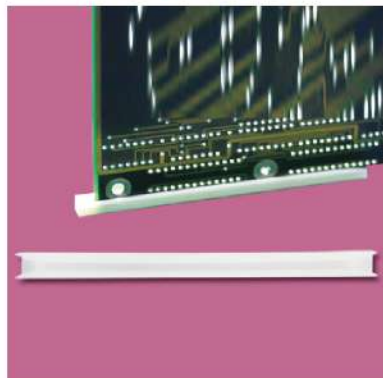
PART NO	A	B	C	D	E	F	G	H	MAXIMUM THICKNESS	PACKAGE
CG-06H	63.5	38.1	1.9	4.5	7.9	4.6	5.0	1.3	1.6	200
CG-6J	63.5	38.1	2.3	2.8	4.6	3.4	4.0	1.0	1.0	
CG-5QT	63.5	38.1	2.3	6.4	6.4	4.5	5.1	1.3	1.0	

導槽 P.C.B GUIDE RAIL

PINGOOD

11-7-1

印刷電路板導槽 PCB GUIDE RAIL

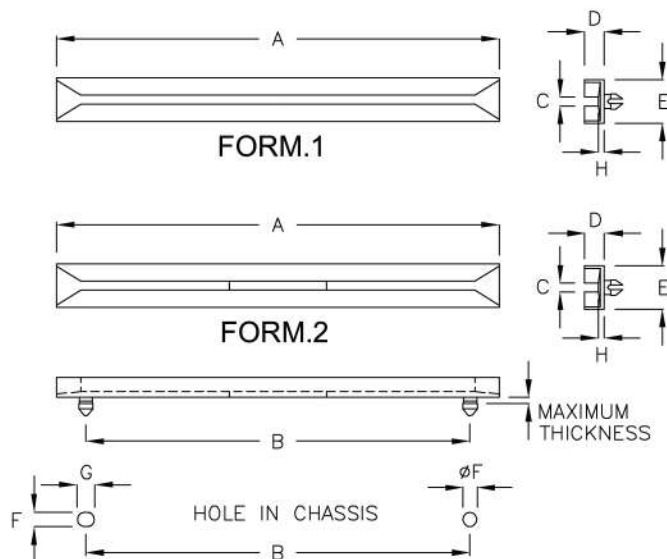


MATERIAL: NYLON 66(UL)
FLAME CLASS: 94V-2
COLOR: NATURAL
NO EXTRA SCREW NEEDED

PART NO	A	B	C	D	E	F	G	MAXIMUM THICKNESS	PACKAGE
CG-10N	101.6	88.9	1.9	4.4	6.4	3.2	4.0	1.1	100
CG-16N	164.1	152.4	2.0	4.4	6.5	3.2	3.9	1.1	

11-7-2

印刷電路板導槽 PCB GUIDE RAIL



MATERIAL: NYLON 66(UL)
FLAME CLASS: 94V-2
COLOR: NATURAL
NO EXTRA SCREW NEEDED

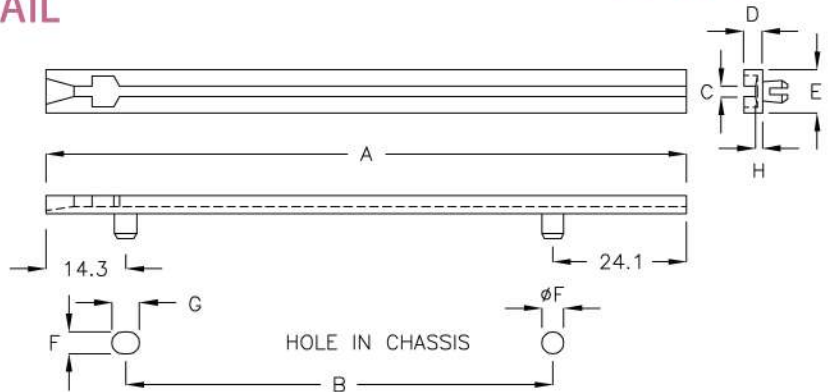
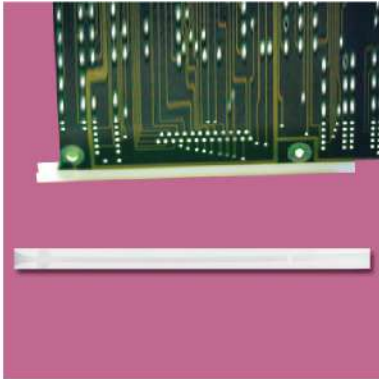
PART NO	A	B	C	D	E	F	G	H	MAXIMUM THICKNESS	FORM	PACKAGE
CG-3A	38.0	25.4	1.9	4.6	9.6	3.4	4.0	1.5	1.2	1	500
CG-5A	50.8	38.0	2.3	4.6	9.6	3.4	4.0	1.5	1.1	1	200
CG-7A	76.6	63.5	2.2	4.6	10.0	3.4	4.0	1.4	1.2	1	100
CG-7C	76.6	63.5	2.1	4.1	10.0	3.4	4.0	1.1	1.2	1	
CG-9A	89.7	76.7	1.9	4.5	9.7	3.4	4.0	1.5	1.2	2	
CG-9F	89.2	76.7	2.3	4.4	6.4	3.4	4.0	1.1	1.2	1	
CG-10A	102.1	89.5	2.2	4.6	6.3	3.4	4.0	1.1	1.2	1	100
CG-10M	100.0	70.0	2.0	4.3	7.5	4.8	6.0	2.3	1.1	1	
CG-10P	100.0	70.0	2.0	4.3	7.5	4.8	6.4	1.5	1.2	1	
CG-12D	114.3	88.9	1.9	6.4	6.4	4.8	5.5	1.3	1.2	1	
CG-13A	127.0	101.6	2.3	4.6	6.4	3.4	4.0	1.1	1.5	1	
CG-13C	110.0	101.6	2.3	4.6	6.4	3.4	4.0	1.1	1.2	1	
CG-14A	136.0	114.5	2.2	4.6	6.3	3.4	4.0	1.1	1.5	1	
CG-15C	153.8	141.6	2.1	4.8	6.5	3.4	4.0	1.4	1.2	1	
CG-18A	181.1	161.3	2.0	4.6	6.5	3.4	4.6	1.2	1.2	1	
CG-19A	191.1	177.0	2.0	5.5	6.4	3.4	4.0	1.8	1.2	1	
CG-21A	217.8	205.0	2.0	4.6	6.6	3.4	4.0	1.2	1.0	1	
CG-21B	218.7	205.0	2.2	7.7	6.6	3.4	4.0	1.3	1.2	1	

導槽 P.C.B GUIDE RAIL

PINGOOD

11-8-1

印刷電路板導槽 PCB GUIDE RAIL

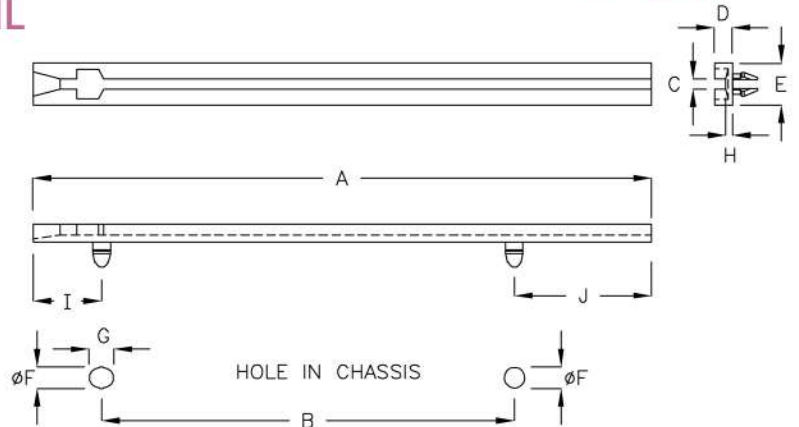
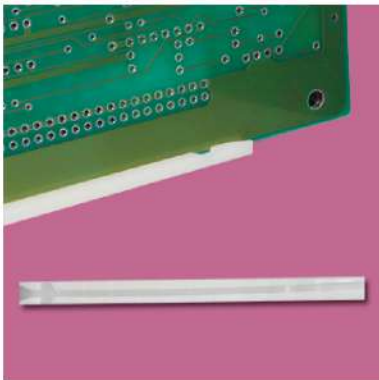


MATERIAL: NYLON 66(UL)
FLAME CLASS: 94V-2
COLOR: NATURAL
NO EXTRA SCREW NEEDED

PART NO	A	B	C	D	E	F	G	H	MAXIMUM THICKNESS	PACKAGE
CG-11A	115.5	77.1	2.0	3.3	7.9	4.0	4.8	1.3	1.2	100

11-8-2

印刷電路板導槽 PCB GUIDE RAIL

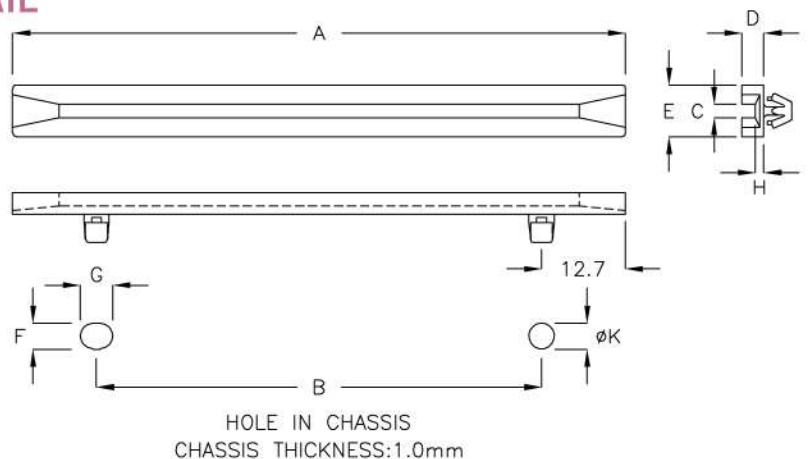
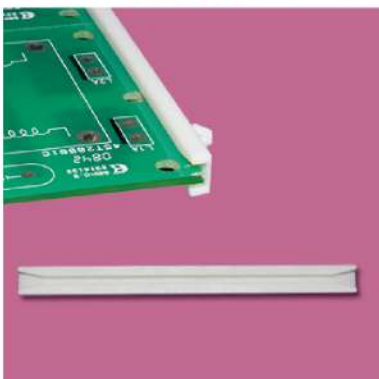


MATERIAL: NYLON 66(UL)
FLAME CLASS: 94V-2
COLOR: NATURAL
NO EXTRA SCREW NEEDED

PART NO	A	B	C	D	E	F	G	H	I	J	MAXIMUM THICKNESS	PACKAGE
CG-11F	115.5	77.1	1.9	3.3	7.9	4.0	4.6	1.3	12.8	25.6	1.4	100
CG-92TK	92.0	67.4	1.9	3.3	7.9	4.0	4.6	1.3	12.7	11.9	1.4	

11-8-3

印刷電路板導槽 PCB GUIDE RAIL



MATERIAL: NYLON 66(UL)
FLAME CLASS: 94V-2
COLOR: NATURAL
NO EXTRA SCREW NEEDED

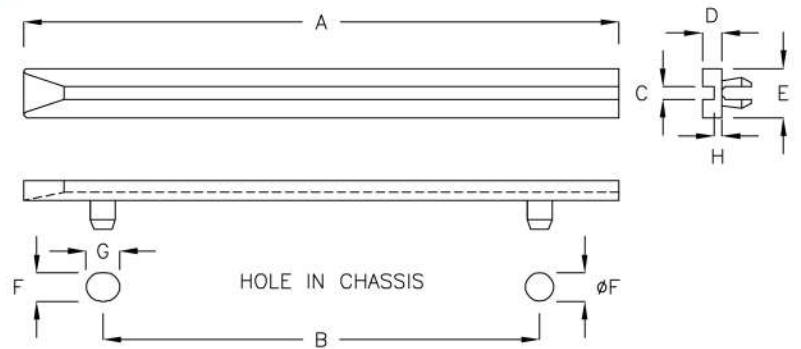
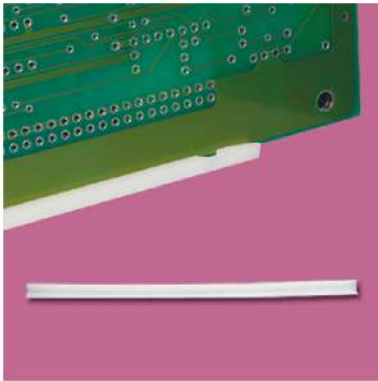
PART NO	A	B	C	D	E	F	G	H	K	PACKAGE
CG-92FM	92.8	67.4	1.9	3.3	7.9	4.0	5.0	1.3	4.0	100

導槽 P.C.B GUIDE RAIL

PINGOOD

11-9-1

印刷電路板導槽 PCB GUIDE RAIL

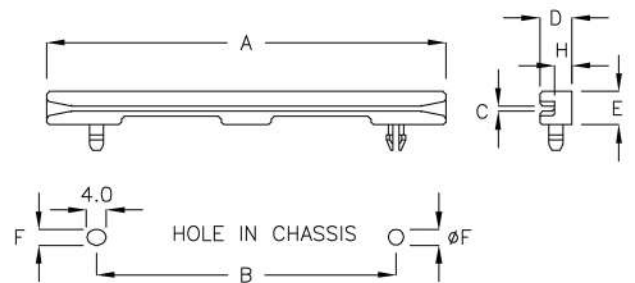


MATERIAL: NYLON 66(UL)
 FLAME CLASS: 94V-2
 COLOR: NATURAL
 NO EXTRA SCREW NEEDED

PART NO	A	B	C	D	E	F	G	H	MAXIMUM THICKNESS	PACKAGE
CG-20A	203.2	177.8	2.0	3.2	7.9	4.6	5.4	1.3	1.7	100

11-9-2

印刷電路板導槽 PCB GUIDE RAIL

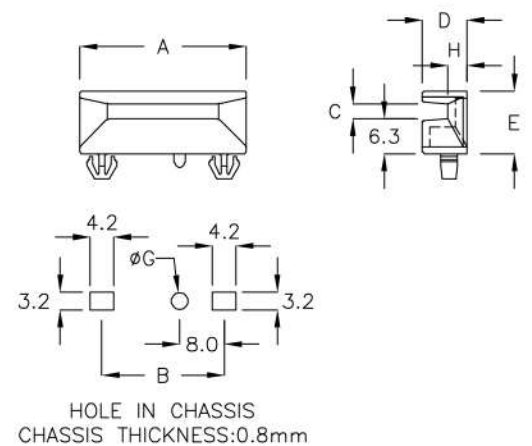


MATERIAL: NYLON 66(UL)
 FLAME CLASS: 94V-2
 COLOR: BLACK
 NO EXTRA SCREW NEEDED

PART NO	A	B	C	D	E	F	H	MAXIMUM THICKNESS	PACKAGE
CG-08K	80.0	60.0	1.1	6.5	6.7	3.2	3.5	2.0	100

11-9-3

印刷電路板導槽 PCB GUIDE RAIL



MATERIAL: NYLON 66(UL)
 FLAME CLASS: 94V-2
 COLOR: NATURAL
 NO EXTRA SCREW NEEDED

PART NO	A	B	C	D	E	G	H	PACKAGE
CG-3WX	30.0	22.0	2.7	8.0	11.3	3.0	3.4	500

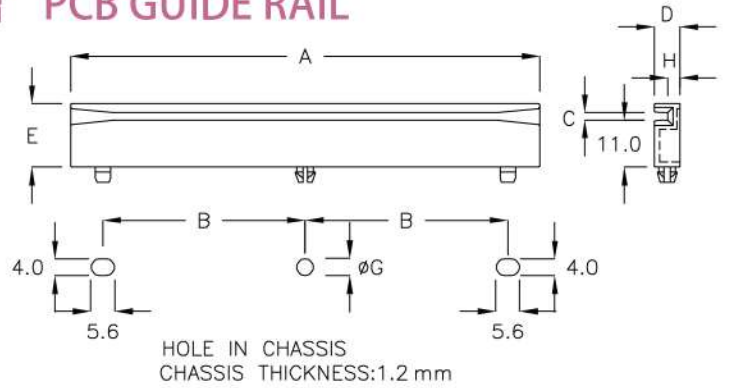
導槽 P.C.B GUIDE RAIL

PINGOOD

11-10-1



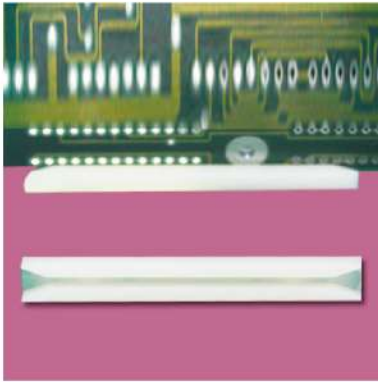
印刷電路板導槽 PCB GUIDE RAIL



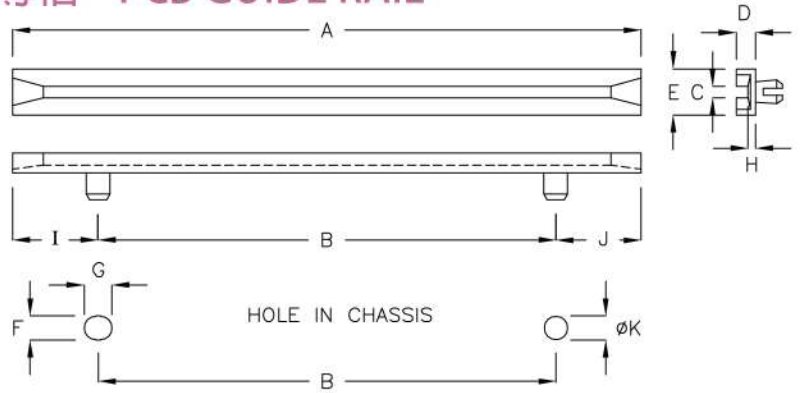
PART NO	A	B	C	D	E	G	H	PACKAGE
CG-11K	110.0	47.5	1.8	6.0	14.9	4.0	2.8	100

MATERIAL: NYLON 66(UL)
FLAME CLASS: 94V-2
COLOR: BLACK
NO EXTRA SCREW NEEDED

11-10-2



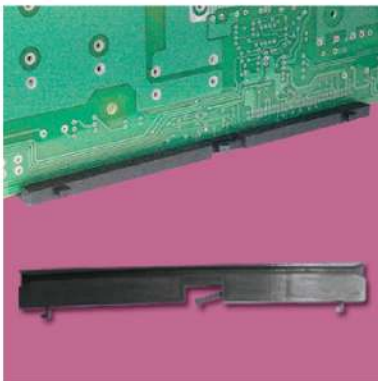
印刷電路板導槽 PCB GUIDE RAIL



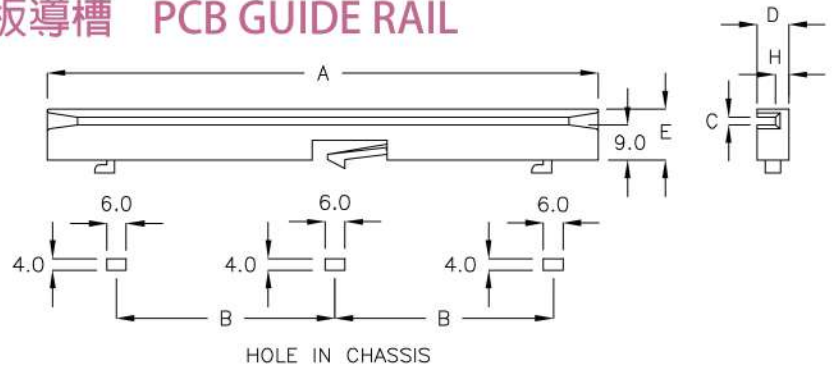
PART NO	A	B	C	D	E	F	G	H	I	J	K	CHASSIS THICKNESS	PACKAGE
CG-45RK	45.0	23.0	1.9	3.3	7.9	4.5	5.1	1.3	11.0	11.0	4.6	1.4~1.6	200
CG-5C	63.5	38.1	2.3	6.4	6.4	4.5	5.1	1.3	12.7	12.7	4.5	1.2~1.6	
CG-6F	63.5	38.1	1.9	4.5	7.9	4.6	5.0	1.3	12.7	12.7	4.6	1.2~1.6	
CG-08L	88.9	63.5	1.9	4.5	7.9	4.6	5.0	1.3	12.7	12.7	4.6	1.4~1.6	100
CG-88D	88.9	63.5	1.9	3.3	7.9	4.5	5.1	1.3	12.7	12.7	4.6	1.4~1.6	
CG-9AL	89.1	77.4	2.2	7.1	10.0	3.4	4.0	1.6	5.1	5.1	3.4	1.1	

MATERIAL: NYLON 66(UL)
FLAME CLASS: 94V-2
COLOR: NATURAL
NO EXTRA SCREW NEEDED

11-10-3



印刷電路板導槽 PCB GUIDE RAIL



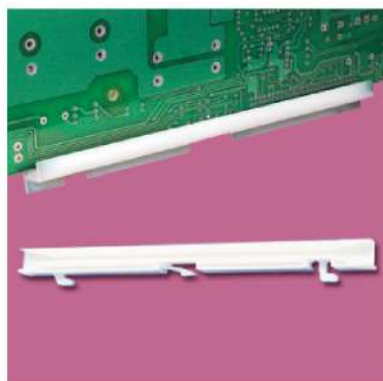
PART NO	A	B	C	D	E	H	MAXIMUM THICKNESS	PACKAGE
CG-16C	190.0	80.0	2.0	6.4	13.1	3.2	1.0	100

MATERIAL: NYLON 66(UL)
FLAME CLASS: 94V-2
COLOR: BLACK
NO EXTRA SCREW NEEDED

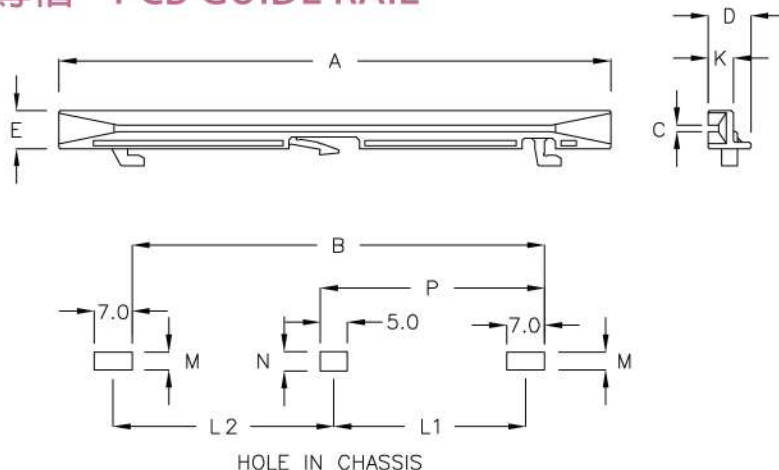
導槽 P.C.B GUIDE RAIL

PINGOOD

11-11-1



印刷電路板導槽 PCB GUIDE RAIL



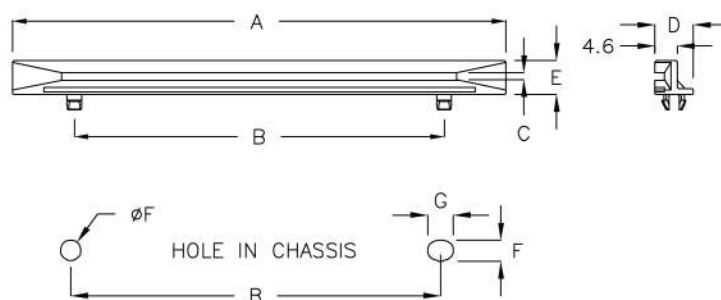
MATERIAL: NYLON 66(UL)
 FLAME CLASS: 94V-2
 COLOR: NATURAL
 NO EXTRA SCREW NEEDED

PART NO	A	B	C	D	E	K	M	N	P	L1	L2	MAXIMUM THICKNESS	PACKAGE
CG-8M	81.0	65.4	2.0	8.0	10.65	6.5	5.65	5.65	33.0	27.0	38.4	1.0	100
CG-10Q	101.6	75.9	1.2	7.9	7.0	4.6	3.3	3.6	41.3	35.3	40.6	1.0	

11-11-2



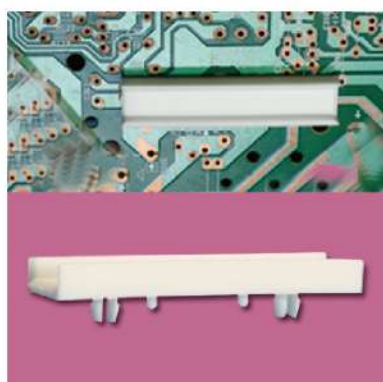
印刷電路板導槽 PCB GUIDE RAIL



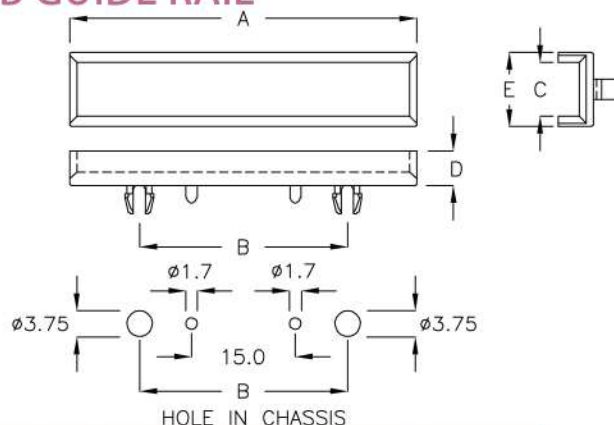
MATERIAL: NYLON 66(UL)
 FLAME CLASS: 94V-2
 COLOR: NATURAL
 NO EXTRA SCREW NEEDED

PART NO	A	B	C	D	E	F	G	MAXIMUM THICKNESS	PACKAGE
CG-10K	101.6	76.2	1.2	7.9	7.0	4.4	5.4	1.0	100

11-11-3



印刷電路板導槽 PCB GUIDE RAIL



MATERIAL: NYLON 66(UL)
 FLAME CLASS: 94V-2
 COLOR: NATURAL
 NO EXTRA SCREW NEEDED

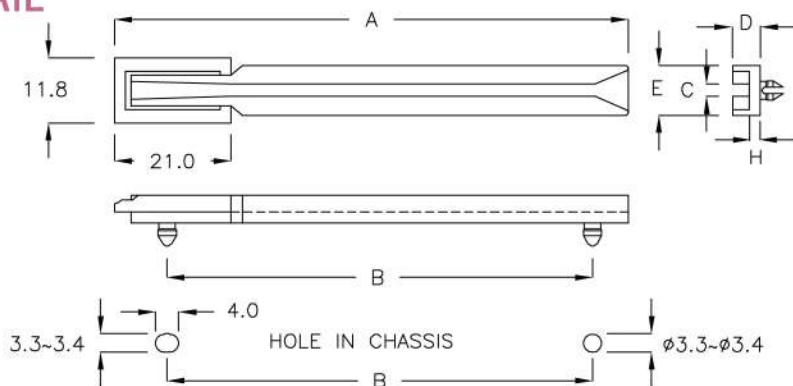
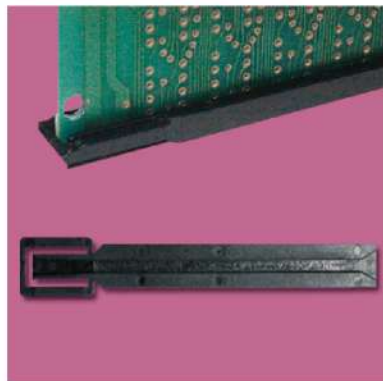
PART NO	A	B	C	D	E	MAXIMUM THICKNESS	PACKAGE
CG-5K	50.0	30.0	7.75	5.0	10.75	1.0	200

導槽 P.C.B GUIDE RAIL

PINGOOD

11-12-1

印刷電路板導槽 PCB GUIDE RAIL

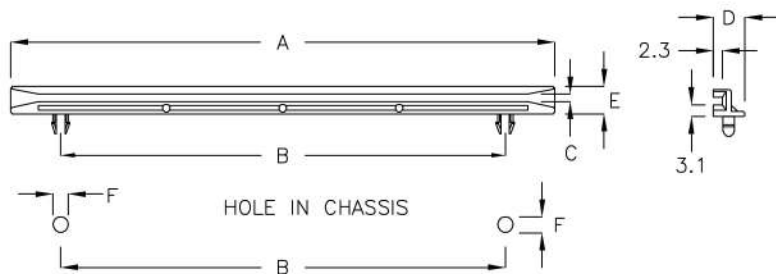


MATERIAL: PC(UL)
FLAME CLASS: 94V-2
COLOR: BLACK
NO EXTRA SCREW NEEDED

PART NO	A	B	C	D	E	H	MAXIMUM THICKNESS	PACKAGE
CG-09H	92.7	76.7	2.2	5.0	9.0	2.0	1.2	100
CG-09J	99.5	76.7	2.2	5.0	9.0	2.0	1.2	
CG-09C	72.6	50.0	1.9	5.0	9.0	2.0	1.0	

11-12-2

印刷電路板導槽 PCB GUIDE RAIL

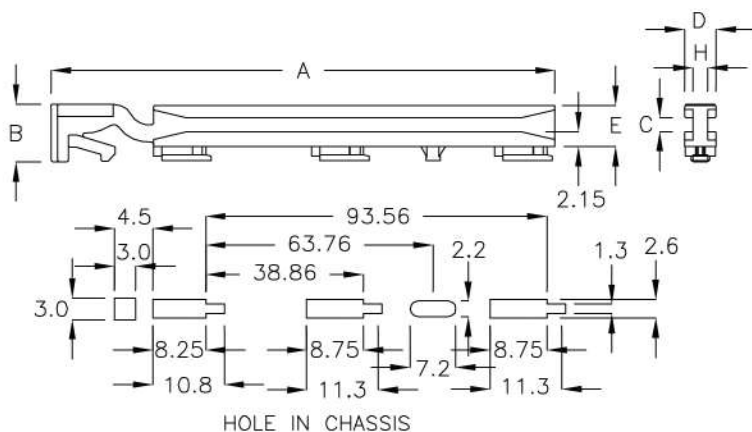


MATERIAL: NYLON66(UL)
FLAME CLASS: 94V-2
COLOR: BLACK
NO EXTRA SCREW NEEDED

PART NO	A	B	C	D	E	F	MAXIMUM THICKNESS	PACKAGE
CG-14H	140.0	114.5	1.9	8.0	7.0	$\phi 4.4$	1.5	100

11-12-3

印刷電路板導槽 PCB GUIDE RAIL



MATERIAL: NYLON66(UL)
FLAME CLASS: 94V-0
COLOR: BLACK
NO EXTRA SCREW NEEDED

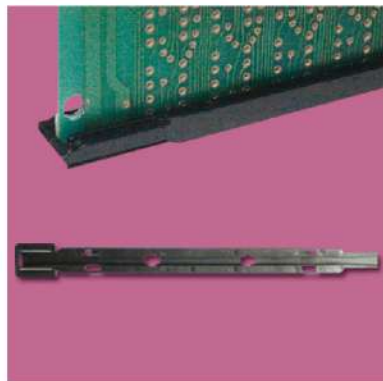
PART NO	A	B	C	D	E	H	MAXIMUM THICKNESS	PACKAGE
CGL-116JS	116.9	8.0	2.0	4.5	5.9	2.1	0.8	100

導槽 P.C.B GUIDE RAIL

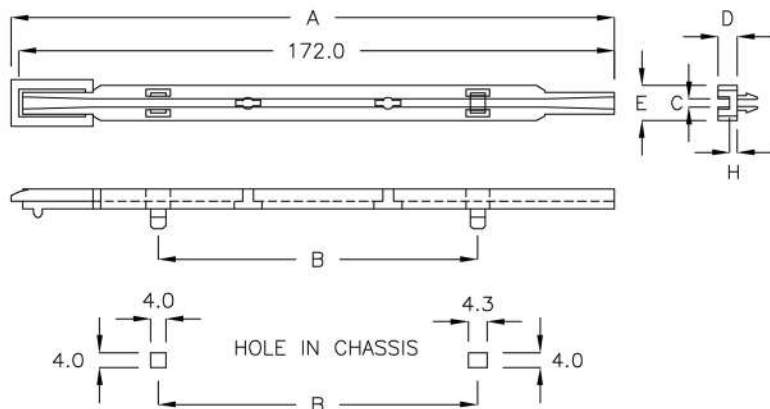
PINGOOD

11-13-1

印刷電路板導槽 PCB GUIDE RAIL



MATERIAL: PC(UL)
 FLAME CLASS: 94V-2
 COLOR: BLACK
 NO EXTRA SCREW NEEDED



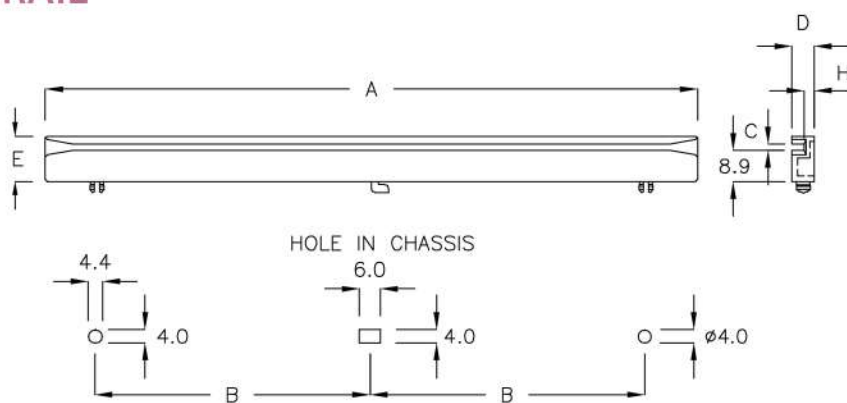
PART NO	A	B	C	D	E	H	MAXIMUM THICKNESS	PACKAGE
CG-17A	175.0	102.0	2.2	5.0	9.0	2.0	1.6	100

11-13-2

印刷電路板導槽 PCB GUIDE RAIL



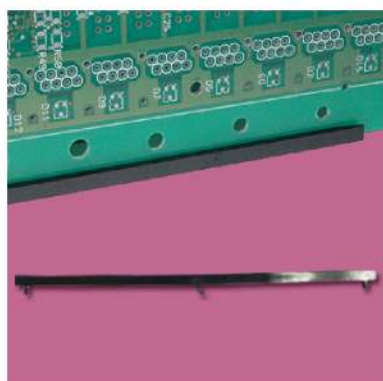
MATERIAL: NYLON 66(UL)
 FLAME CLASS: 94V-2
 COLOR: BLACK
 NO EXTRA SCREW NEEDED



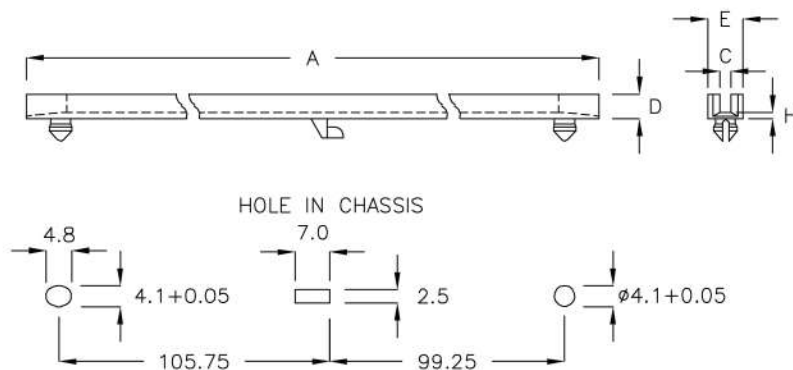
PART NO	A	B	C	D	E	H	MAXIMUM THICKNESS	PACKAGE
CG-19C	190.0	80.0	2.0	6.4	13.1	3.1	1.1	100

11-13-3

印刷電路板導槽 PCB GUIDE RAIL



MATERIAL: NYLON 66(UL)
 FLAME CLASS: 94V-2
 COLOR: BLACK
 NO EXTRA SCREW NEEDED



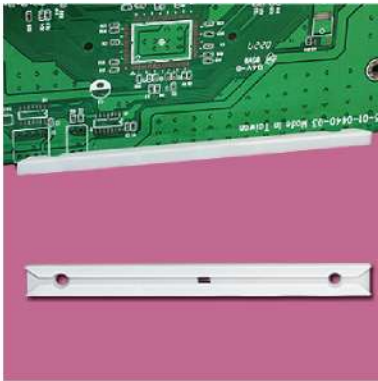
PART NO	A	C	D	E	H	MAXIMUM THICKNESS	PACKAGE
CG-21C	218.0	1.9	4.7	6.6	1.3	1.5	100

導槽 P.C.B GUIDE RAIL

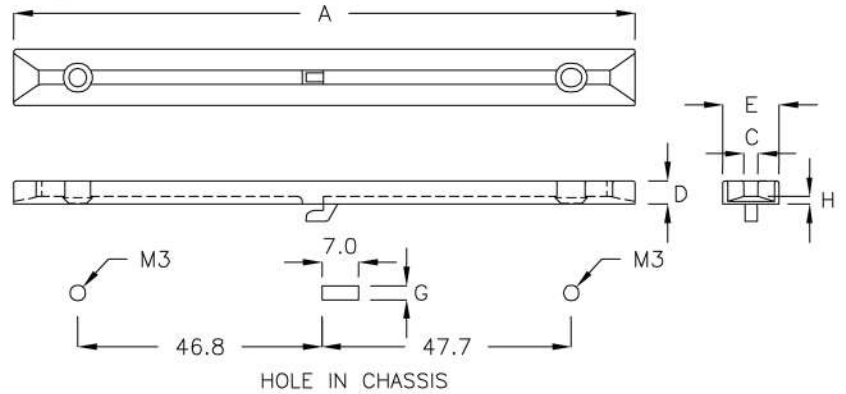
PINGOOD

11-14-1

印刷電路板導槽 PCB GUIDE RAIL



NEW

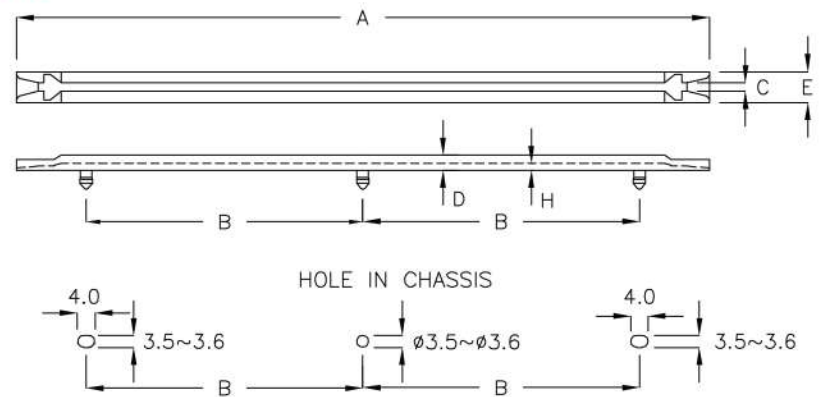
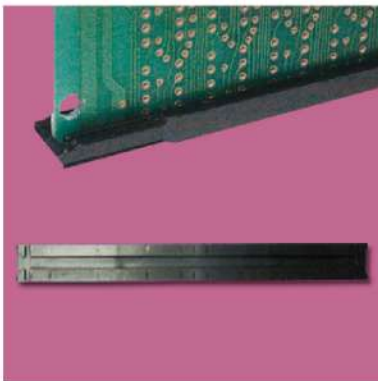


MATERIAL: NYLON 66(UL)
FLAME CLASS: 94V-2
COLOR: NATURAL

PART NO	A	C	D	E	G	H	MAXIMUM THICKNESS	PACKAGE
★ CG-12AT	119.0	2.6	4.5	10.8	2.1	1.5	1.0	100
★ CG-12BG	119.0	3.2	4.5	10.8	2.7	1.5	1.0	

11-14-2

印刷電路板導槽 PCB GUIDE RAIL



MATERIAL: PC(UL)
FLAME CLASS: 94V-2
COLOR: BLACK
NO EXTRA SCREW NEEDED

PART NO	A	B	C	D	E	H	MAXIMUM THICKNESS	PACKAGE
CG-28A	280.0	119.8	2.3	4.5	9.0	2.0	1.7	100

導槽 P.C.B GUIDE RAIL

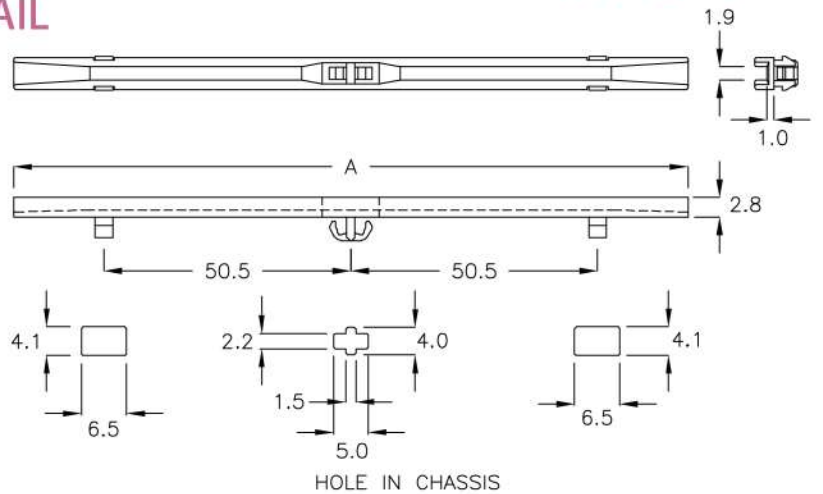
PINGOOD

11-15-1

印刷電路板導槽 PCB GUIDE RAIL



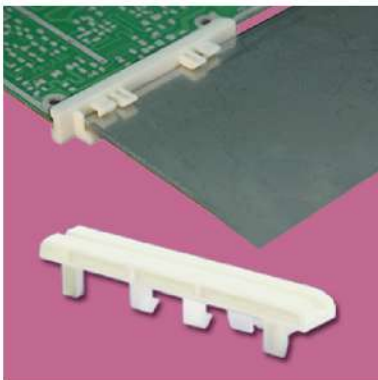
MATERIAL: NYLON 66(UL)
 FLAME CLASS: 94V-2
 COLOR: BLACK
 NO EXTRA SCREW NEEDED



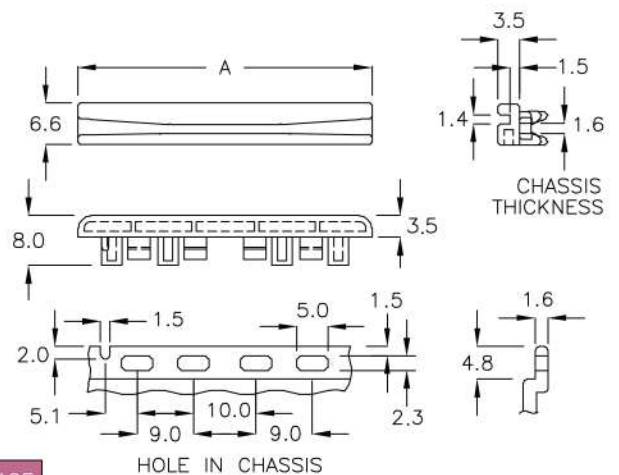
PART NO	A	MAXIMUM THICKNESS	PACKAGE
CGB-127	127.0	1.0	100

11-15-2

印刷電路板導槽 PCB GUIDE RAIL



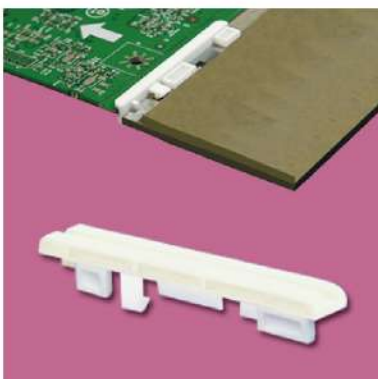
MATERIAL: NYLON 66(UL)
 FLAME CLASS: 94V-2
 COLOR: NATURAL



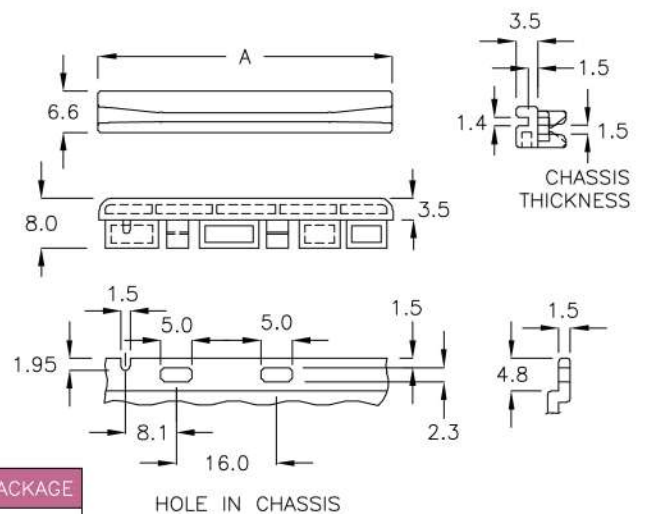
PART NO	A	PACKAGE
CGM-47	47.0	200

11-15-3

印刷電路板導槽 PCB GUIDE RAIL



MATERIAL: NYLON 66(UL)
 FLAME CLASS: 94V-2
 COLOR: NATURAL



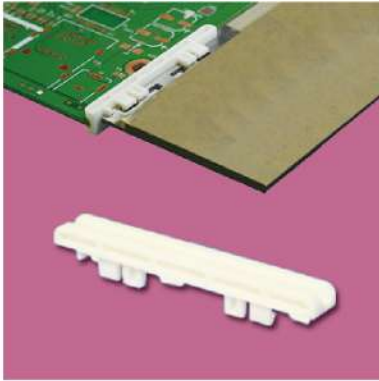
PART NO	A	PACKAGE
CGM-47SJ	47.0	200

導槽 P.C.B GUIDE RAIL

PINGOOD

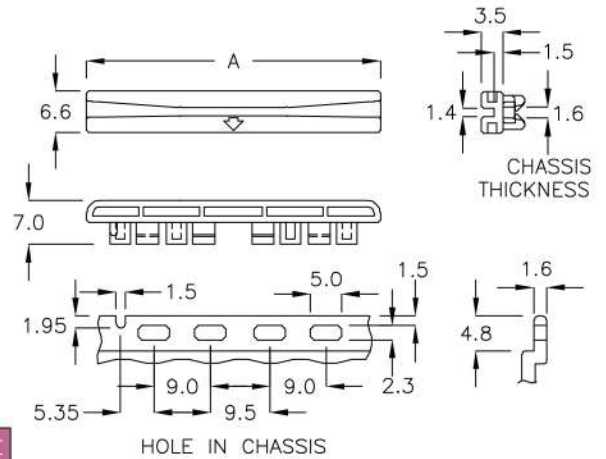
11-16-1

印刷電路板導槽 PCB GUIDE RAIL



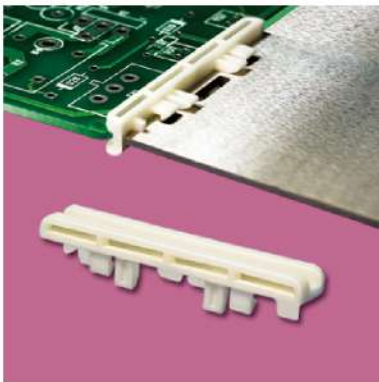
MATERIAL: NYLON 66(UL)
FLAME CLASS: 94V-2
COLOR: NATURAL

PART NO	A	PACKAGE
CGM-47YK	47.0	200



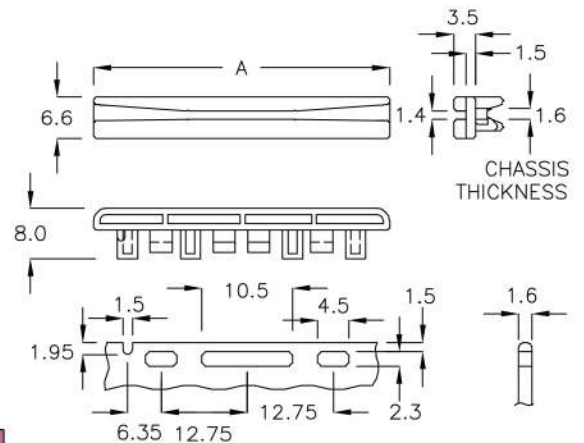
11-16-2

印刷電路板導槽 PCB GUIDE RAIL



MATERIAL: NYLON 66(UL)
FLAME CLASS: 94V-2
COLOR: NATURAL

PART NO	A	PACKAGE
CGM-47DK	47.0	200



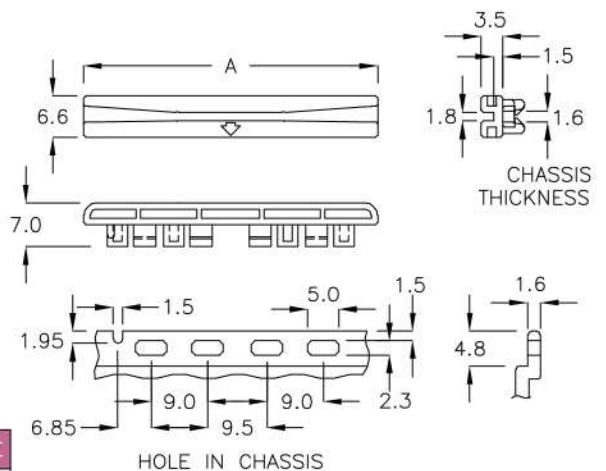
11-16-3

印刷電路板導槽 PCB GUIDE RAIL



MATERIAL: NYLON 66(UL)
FLAME CLASS: 94V-2
COLOR: NATURAL

PART NO	A	PACKAGE
CGM-50RT	50.0	200

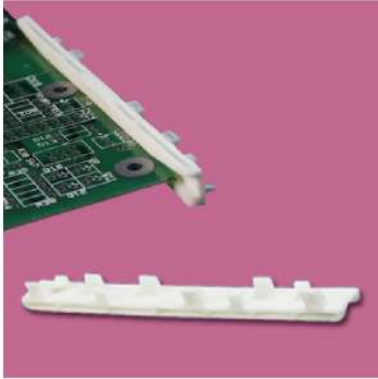


導槽 P.C.B GUIDE RAIL

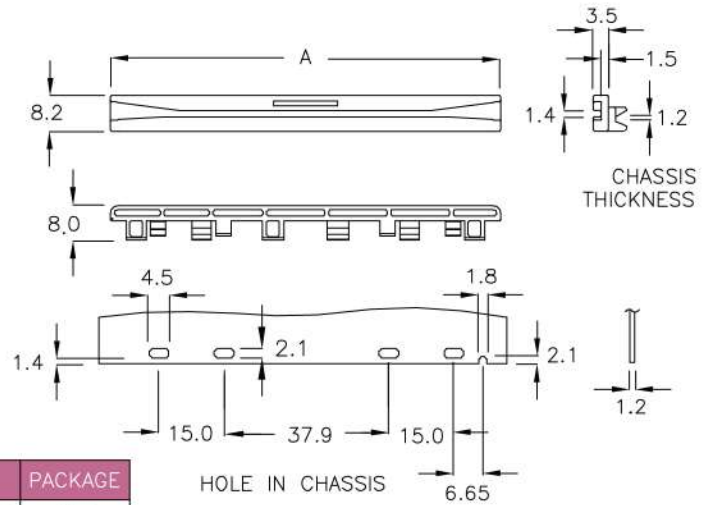
PINGOOD

11-17-1

印刷電路板導槽 PCB GUIDE RAIL



MATERIAL: NYLON 66(UL)
FLAME CLASS: 94V-2
COLOR: NATURAL



PART NO	A	PACKAGE
CGM-90	90.0	200

11-17-2

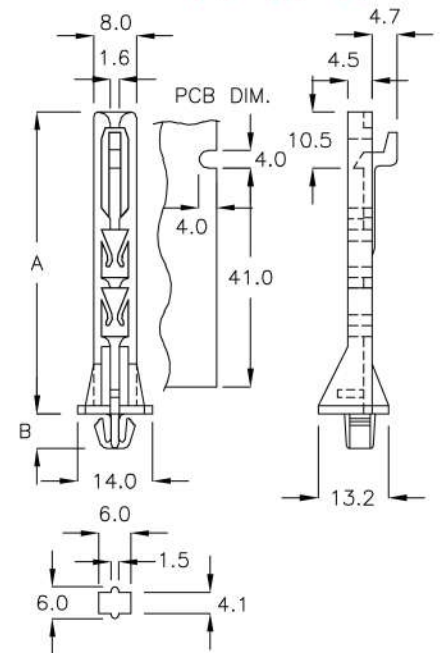
直立式導槽 PCB GUIDE RAIL



MATERIAL: NYLON 66(UL)
FLAME CLASS: 94V-2
COLOR: NATURAL
NO EXTRA SCREW NEEDED

PART NO	A	B	PACKAGE
HCG-5	56.5	6.5	200

HOLE IN CHASSIS
MAXIMUM THICKNESS: 1.6mm



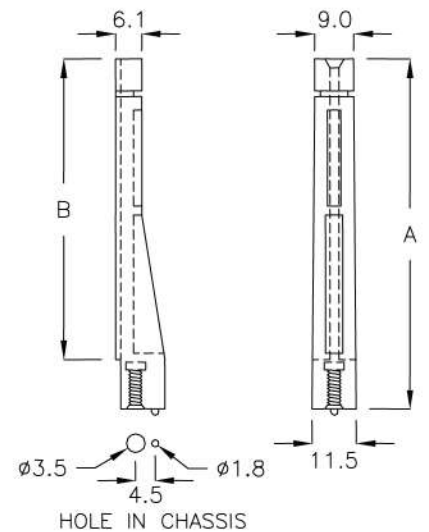
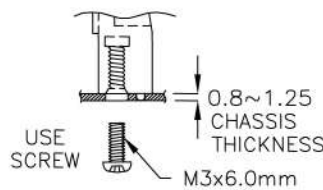
11-17-3

直立式導槽 PCB GUIDE RAIL



MATERIAL: NYLON 66(UL)
FLAME CLASS: 94V-2
COLOR: WHITE

PART NO	A	B	PACKAGE
HCG-9	89.2	77.2	50
HCG-13	130.0	118.5	

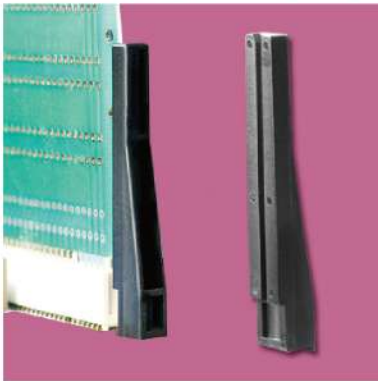


導槽 P.C.B GUIDE RAIL

PINGOOD

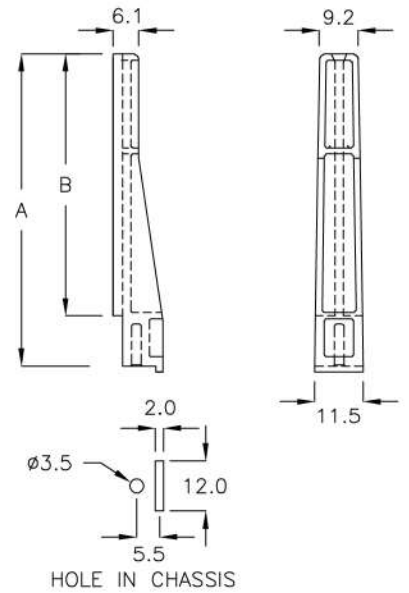
11-18-1

直立式導槽 PCB GUIDE RAIL



MATERIAL: NYLON 66(UL)
 FLAME CLASS: 94V-2
 COLOR: BLACK
 SCREW TAPPING: M3x8mm

PART NO	A	B	PACKAGE
HCG-74A	74.2	62.2	200



11-18-2

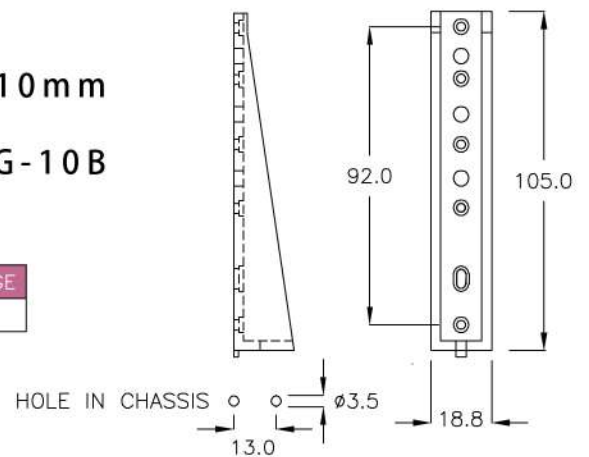
直立式導槽 PCB GUIDE RAIL



MATERIAL: NYLON 66(UL)
 FLAME CLASS: 94V-2
 COLOR: BLACK
 SCREW TAPPING: M3x10mm

USE WITH P.G.PART CG-10B
 (PAGE 11-4-1)

PART NO	A	B	PACKAGE
HCG-10	105.0	92.0	200



12



束線帶
CABLE TIES

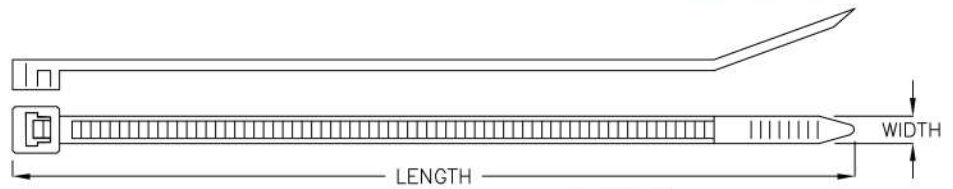
束線帶 CABLE TIES

PINGOOD

12-2-1

電線束線帶 CABLE TIE

MATERIAL: NYLON 66(UL)
FLAME CLASS: 94V-2
COLOR: NATURAL



 E101675

Suggest : Min bundle DIA ϕ 5.0

PART NO	APPROX LENGTH mm(in)	APPROX WIDTH mm(in)	MAX BUNDLE DIA mm(in)	MIN. LOOP TENSILE STRENGTH kgs(Lbs)	PACKAGE
YJ-80	80(3.15")	2.2(0.08")	17(0.67")	8(18)	1000
YJ-90	90(3.54")		21(0.83")		
YJ-98	98(3.86")		22(0.87")		
YJ-100	100(4.00")		23(0.91")		
YJ-102	102(4.00")	3.6(0.14")	22(0.87")	18(40)	500
YJ-115	115(4.53")	4.8(0.19")	29(1.15")	23(50)	
YJ-120	120(4.72")	2.5(0.10")	30(1.18")	8(18)	1000
YJ-122	122(4.80")	3.6(0.14")	29(1.14")	18(40)	500
YJ-140	140(5.50")	4.8(0.19")	34(1.34")	23(50)	
YJ-142	142(5.59")	3.6(0.14")		18(40)	
YJ-142S	142(5.59")	2.5(0.10")	36(1.42")	8(18)	1000
YJ-148	148(5.83")	7.6(0.30")		54(120)	100
YJ-160	160(6.30")	2.5(0.10")	42(1.66")	8(18)	1000
YJ-162	162(6.38")	4.8(0.19")		23(50)	500
YJ-163	163(6.41")	3.6(0.14")	40(1.57")	18(40)	
YJ-178	178(7.00")	9.0(0.35")	45(1.76")	80(175)	100
YJ-181	181(7.13")	2.5(0.10")	49(1.92")	8(18)	1000
YJ-182	182(7.17")	7.6(0.30")	46(1.81")	54(120)	100
YJ-185	185(7.28")	3.6(0.14")	47(1.85")	18(40)	500
YJ-188	188(7.40")	4.8(0.19")	49(1.93")	23(50)	
YJ-201	201(7.87")		53(2.08")		
YJ-203	203(8.00")	3.6(0.14")	55(2.17")	18(40)	
YJ-203S	203(8.00")	2.5(0.10")	56(2.21")	8(18)	1000
YJ-215	215(8.46")	7.6(0.30")	59(2.32")	54(120)	100
YJ-216	216(8.50")	4.8(0.19")	58(2.28")	23(50)	500
YJ-229	229(9.00")	9.0(0.35")	61(2.40")	80(175)	100
YJ-232	232(9.13")	3.6(0.14")	63(2.48")	18(40)	500
YJ-242	242(9.53")	4.8(0.19")	66(2.60")	23(50)	
YJ-254	254(10.00")	7.6(0.30")	71(2.80")	54(120)	100
YJ-263	263(10.35")	3.6(0.14")	73(2.87")	18(40)	500
YJ-266	266(10.47")	4.8(0.19")	72(2.84")	23(50)	
YJ-280	280(11.00")	9.0(0.35")	77(3.03")	80(175)	100
YJ-292	292(11.50")	4.8(0.19")	82(3.23")	23(50)	500
YJ-293	293(11.54")	7.6(0.30")	84(3.30")	54(120)	100
YJ-295	295(11.61")	3.6(0.14")	83(3.27")	18(40)	500
YJ-329	329(13.00")	9.0(0.35")	93(3.66")	80(175)	100
YJ-330	330(13.00")	4.8(0.19")	93(3.66")	23(50)	500
YJ-331	331(13.00")	3.6(0.14")	96(3.78")	18(40)	
YJ-332	332(13.00")	7.6(0.30")	95(3.74")	54(120)	100
YJ-368	368(14.49")	4.8(0.19")	106(4.17")	23(50)	500
YJ-368L	368(14.49")	7.6(0.30")	109(4.29")	54(120)	100
YJ-370	370(14.57")	3.6(0.14")	108(4.25")	18(40)	500
YJ-382	382(15.00")	9.0(0.35")	110(4.33")	80(175)	100

束線帶 CABLE TIES

PINGOOD

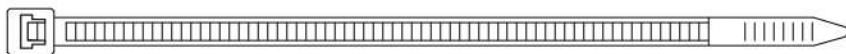
12-3-1

電線束線帶 CABLE TIE

MATERIAL: NYLON 66(UL)

FLAME CLASS: 94V-2

COLOR: NATURAL



Suggest : Min bundle DIA ϕ 10.0

PART NO	APPROX LENGTH mm(in)	APPROX WIDTH mm(in)	MAX BUNDLE DIA mm(in)	MIN. LOOP TENSILE STRENGTH kgs(Lbs)	PACKAGE
YJ-410	410(16.14")	4.8(0.19")	122(4.80")	23(50)	500
YJ-420	420(16.54")	7.6(0.30")	124(4.88")	54(120)	100
YJ-450	450(17.72")	4.8(0.19")	135(5.31")	23(50)	500
YJ-458	458(18.00")	9.0(0.35")	135(5.31")	80(175)	100
YJ-470	470(18.50")	7.6(0.30")	140(5.51")	54(120)	
YJ-520	520(20.47")		156(6.14")		
YJ-530	530(20.87")	9.0(0.35")	155(6.10")	80(175)	
YJ-655	655(25.79")		194(7.64")		
YJ-780	780(30.71")		234(9.21")		
YJ-815	815(32.00")		247(9.72")		

12-3-2

電線束線帶 RELEASABLE CABLE TIE

MATERIAL: NYLON 66(UL)

FLAME CLASS: 94V-2

COLOR: NATURAL



PART NO	APPROX LENGTH mm(in)	APPROX WIDTH mm(in)	MAX BUNDLE DIA mm(in)	MIN. LOOP TENSILE STRENGTH kgs(Lbs)	PACKAGE	COLOR(S) AVAILABLE
YJ-R228	228(9.00")	12.7(0.50")	54(2.12")	114(250)	100	NATURAL & U.V. BLACK
YJ-R256	256(10.00")		62(2.44")			
YJ-R279	279(11.00")		70(2.75")			
YJ-R305	305(12.00")		78(3.07")			
YJ-R328	328(13.00")		86(3.38")			
YJ-R355	355(14.00")		94(3.70")			
YJ-R380	380(15.00")		102(4.00")			
YJ-R405	405(16.00")		110(4.33")			
YJ-R430	430(17.00")		118(4.64")			
YJ-R455	455(18.00")		127(5.00")			
YJ-R485	485(19.00")		135(5.31")			
YJ-R510	510(20.00")		143(5.62")			
YJ-R534	534(21.00")		151(5.94")			
YJ-R560	560(22.00")		159(6.25")			
YJ-R585	585(23.00")		167(6.57")			
YJ-R610	610(24.00")		175(6.88")			
YJ-R635	635(25.00")		183(7.20")			
YJ-R660	660(26.00")		191(7.51")			
YJ-R685	685(27.00")	199(7.83")				

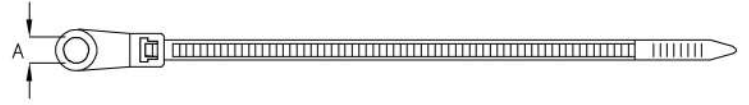
束線帶 CABLE TIES

PINGOOD

12-4-1

電線束線帶 SCREW-ON CABLE TIE

MATERIAL: NYLON 66(UL)
FLAME CLASS: 94V-2
COLOR: NATURAL



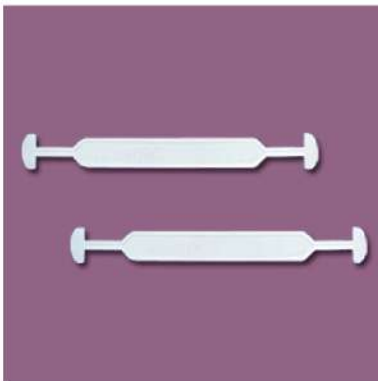
Suggest : Min bundle DIA ϕ 10.0

PART NO	APPROX LENGTH mm(in)	APPROX WIDTH mm(in)	MAX BUNDLE DIA mm(in)	A	PACKAGE
YJ-156	156(6.14")	3.6(0.14")	34(1.33")	ϕ 4.3	500
YJ-205	205(8.0")	4.8(0.19")	51(2.01")	ϕ 5.5	
YJ-255	255(10.0")	4.8(0.19")	67(2.63")		
YJ-304	304(12.0")	4.8(0.19")	82(3.25")		
YJ-356	356(14.0")	4.8(0.19")	99(3.90")		
YJ-406	406(16.0")	4.8(0.19")	115(4.52")		
YJ-230	230(9.00")	7.6(0.30")	58(2.28")	ϕ 6.5	100
YJ-306	306(12.00")	7.6(0.30")	84(3.31")		
YJ-381	381(15.00")	7.6(0.30")	108(4.25")		
YJ-460	460(18.00")	7.6(0.30")	133(5.24")		
YJ-535	535(21.00")	7.6(0.30")	155(6.10")		

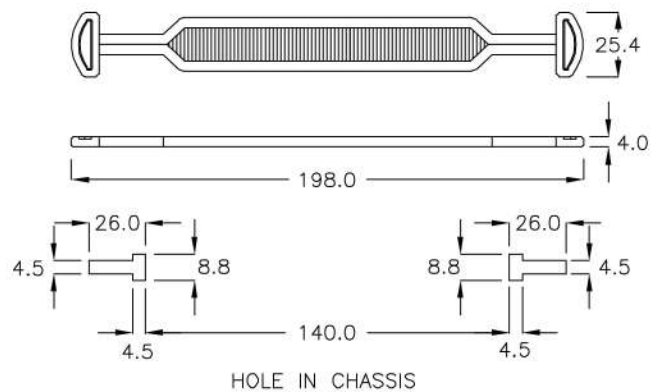
12-4-2

紙箱把手 PULLER

MATERIAL: PE
COLOR: WHITE



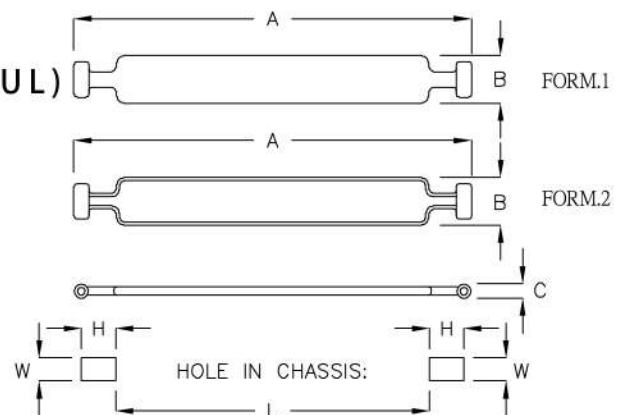
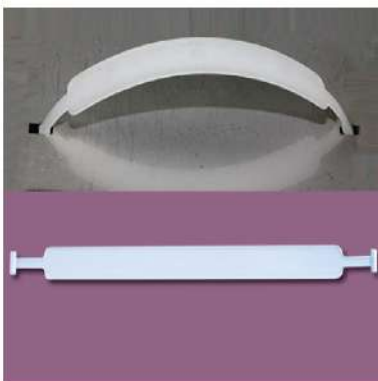
PART NO	PACKAGE
BST-07	200



12-4-3

把手 PULLER

MATERIAL: NYLON 66(UL)
FLAME CLASS: 94V-2
COLOR: NATURAL



PART NO	A	B	C	H	W	L	FORM	PACKAGE
BST-60A	60.6	9.4	ϕ 2.3	8.0	3.7	30.0	FORM.1	1000
BST-70	70.0	8.0	ϕ 2.0	7.0	4.0	46.0	FORM.1	500
BST-8D	79.8	9.4	ϕ 2.3	15.0	3.7	46.0	FORM.1	
BST-9A	90.5	9.4	ϕ 2.3	7.0	3.8	60.5	FORM.2	
BST-120	120.0	11.9	ϕ 2.3	9.2	6.0	80.0	FORM.2	

束線帶 CABLE TIES

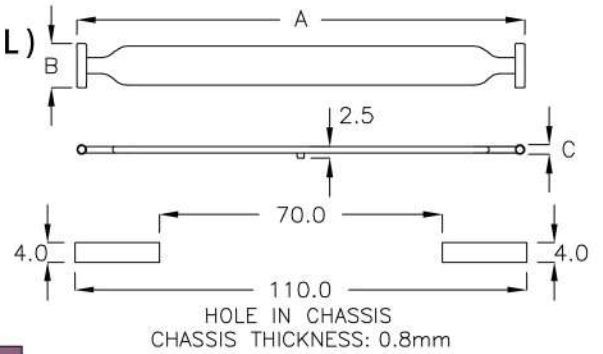
PINGOOD

12-5-1



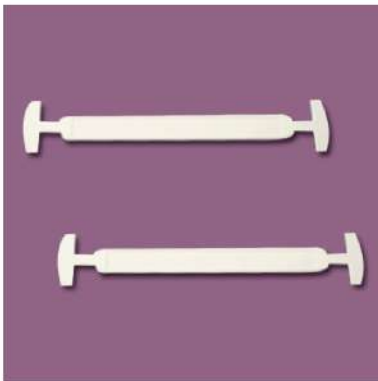
把手 PULLER

MATERIAL: NYLON 66(UL)
FLAME CLASS: 94V-2
COLOR: BLACK



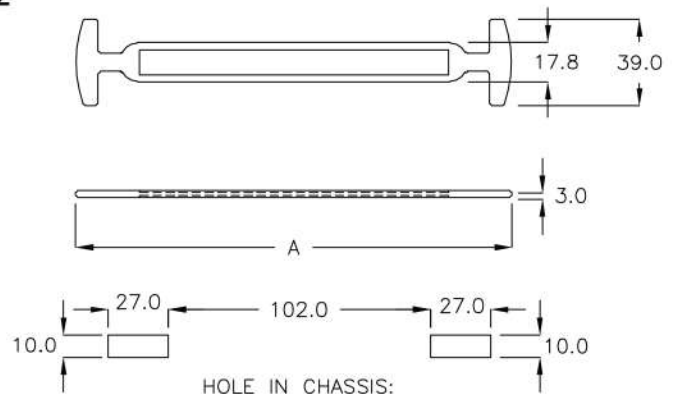
PART NO	A	B	C	PACKAGE
BSX-110K	110.6	9.0	φ2.0	500

12-5-2



把手 PULLER

MATERIAL: NYLON 66(UL)
FLAME CLASS: 94V-2
COLOR: NATURAL



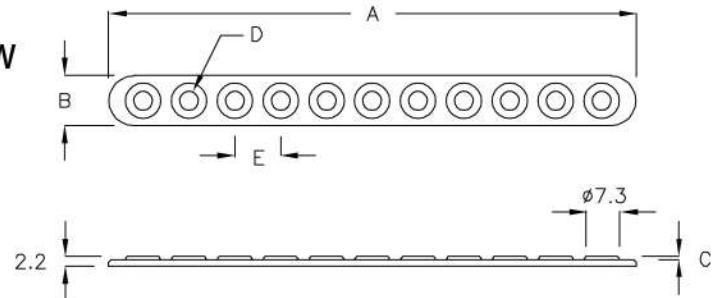
PART NO	A	PACKAGE
BST-180Q	180.0	200

12-5-3



固定座 MOUNTING

MATERIAL: NYLON 66(UL)
FLAME CLASS: 94V-2
COLOR: BLACK
SCREW: M4 SCREW



PART NO	A	B	C	D	E	PACKAGE
BSW-115	115.0	11.0	0.7	φ4.3×11	10.0×10	500
BSW-155	155.0	11.0	0.7	φ4.3×15	10.0×14	

束線帶 CABLE TIES

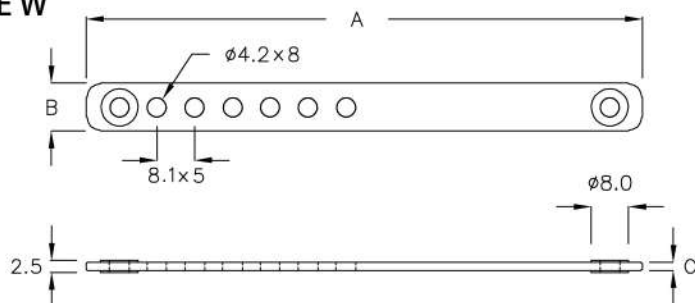
PINGOOD

12-6-1



固定座 MOUNTING

MATERIAL: NYLON 66(UL)
FLAME CLASS: 94V-2
COLOR: BLACK
SCREW: M4 SCREW



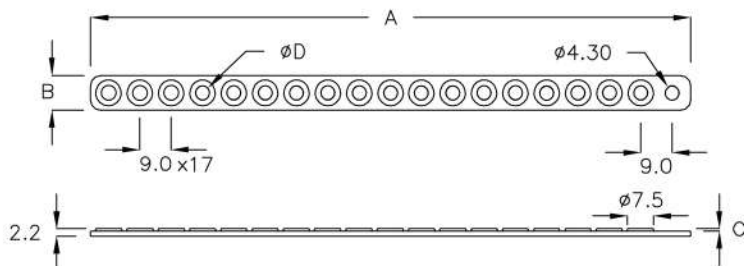
PART NO	A	B	C	PACKAGE
BSW-119	118.8	10.2	1.7	500

12-6-2



固定座 MOUNTING

MATERIAL: NYLON 66(UL)
FLAME CLASS: 94V-2
COLOR: BLACK
SCREW: M4 SCREW



PART NO	A	B	C	D	PACKAGE
BSW-172	172.7	10.0	0.7	4.3x18	500

12-6-3



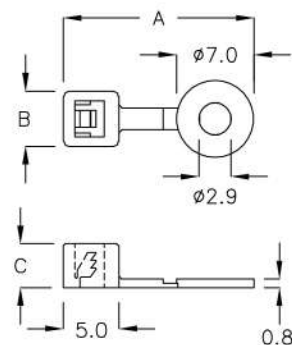
束線固定座 MOUNTING

MATERIAL: NYLON 66(UL)
FLAME CLASS: 94V-2
COLOR: BLACK



PART NO	A	B	C	PACKAGE
YAD-01	17.2	5.0	4.0	2000

USE WITH P.G PART YJ-90,98 (Page12-2-1)
MUST BE ASSEMBLED WITH CABLE TIE, WIDTH UP TO 2.5mm



束線帶 CABLE TIES

PINGOOD

12-7-1

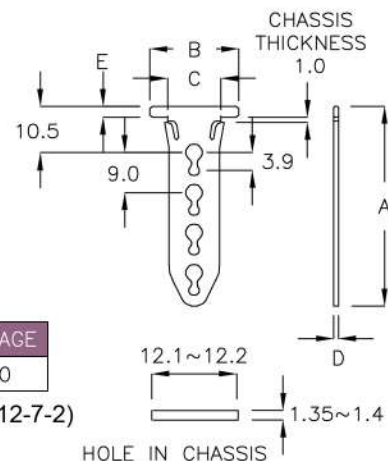
電源線固定帶 CABLE TIE



MATERIAL: NYLON 66(UL)
FLAME CLASS: 94V-2
COLOR: BLACK

PART NO	A	B	C	D	E	PACKAGE
PSA-01	45.0	20.0	11.9	1.2	2.5	500

ASSEMBLE WITH P.G PART PSA-02 (Page 12-7-2)



12-7-2

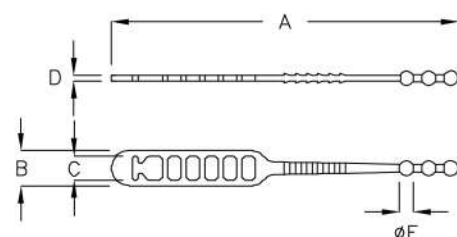
電源線固定帶 CABLE TIE



MATERIAL: NYLON 66(UL)
FLAME CLASS: 94V-2
COLOR: BLACK

PART NO	A	B	C	D	E	PACKAGE
PSA-02	78.3	8.0	5.6	1.2	3.5	500

ASSEMBLE WITH P.G PART PSA-01 (Page 12-7-1)



12-7-3

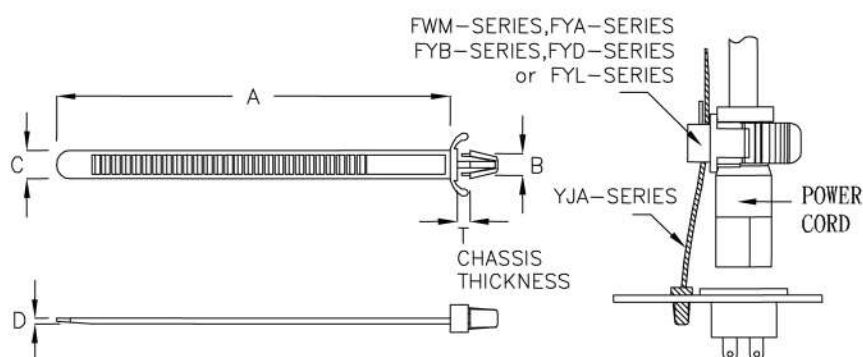
電源線固定帶 CABLE TIE



MATERIAL: NYLON 66(UL)
FLAME CLASS: 94V-2
COLOR: BLACK

PART NO	A	B HOLE IN CHASSIS	C	D	T CHASSIS THICKNESS	ASSEMBLE WITH P.G. PART	PACKAGE
YJA-85	85.0	ø5.0	6.2	1.2	0.5~2.0	FWM-7GQ, FWM-8K FWM-11A, FWM-15A FWM-19M, FYA-15TR FYB-15NK, FYD-13K FYL-17C	100
YJA-85PD	85.0	ø5.0	6.2	1.5	0.5~2.0	FWM-11PH, FWM-15PD	

ASSEMBLE WITH P.G. PART FWM-SERIES, FYA-SERIES, FYB-SERIES, FYD-SERIES or FYL-SERIES (Page 12-14-2, 12-15, 12-16)

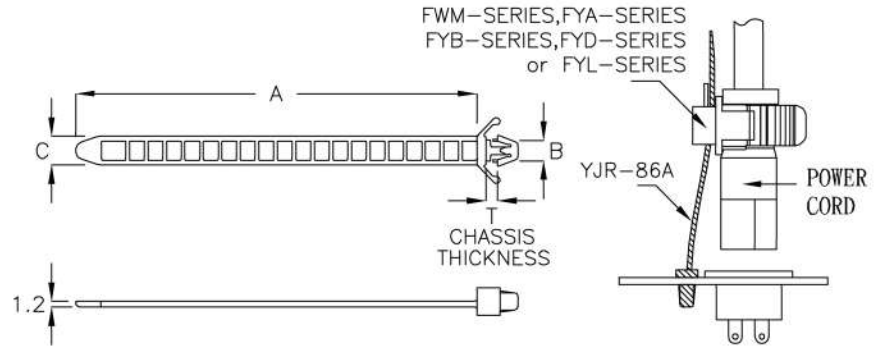
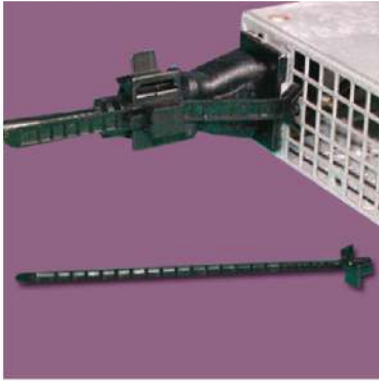


束線帶 CABLE TIES

PINGOOD

12-8-1

電源線固定帶 CABLE TIE



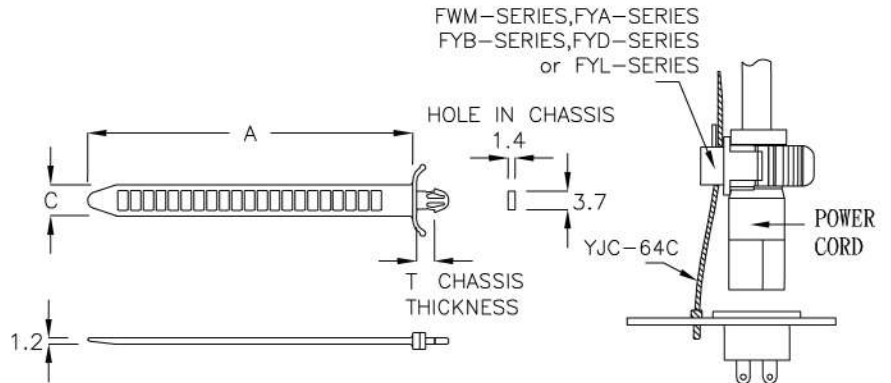
MATERIAL: NYLON 66(UL)
FLAME CLASS: 94V-2
COLOR: BLACK

PART NO	A	B HOLE IN CHASSIS	C	T CHASSIS THICKNESS	ASSEMBLE WITH P.G. PART	PACKAGE
YJR-86A	86.75	ø5.0	6.2	0.8~2.0	FWM-7GQ, FWM-8K FWM-11A, FWM-15A FWM-19M, FYA-15TR FYB-15NK, FYD-13K FYL-17C	100

ASSEMBLE WITH P.G. PART FWM-SERIES, FYA-SERIES, FYB-SERIES, FYD-SERIES or FYL-SERIES (Page 12-14-2, 12-15, 12-16)

12-8-2

電源線固定帶 CABLE TIE



MATERIAL: NYLON 66(UL)
FLAME CLASS: 94V-2
COLOR: BLACK

PART NO	A	C	T CHASSIS THICKNESS	ASSEMBLE WITH P.G. PART	PACKAGE
YJC-64C	64.2	6.2	1.8~2.8	FWM-7GQ, FWM-8K FWM-11A, FWM-15A FWM-19M, FYA-15TR FYB-15NK, FYD-13K FYL-17C	500

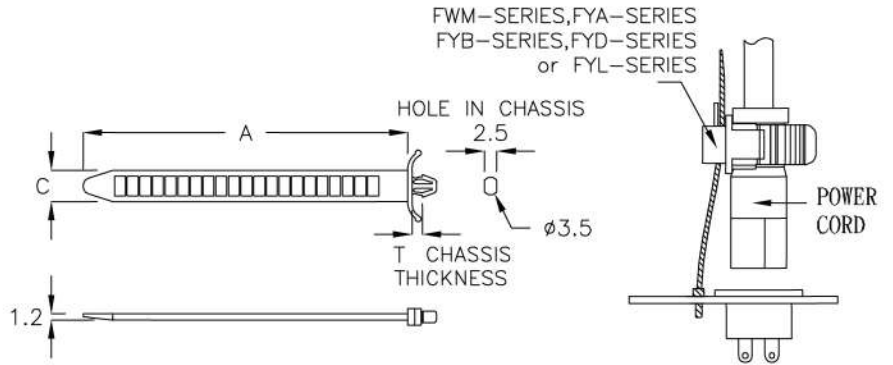
ASSEMBLE WITH P.G. PART FWM-SERIES, FYA-SERIES, FYB-SERIES, FYD-SERIES or FYL-SERIES (Page 12-14-2, 12-15, 12-16)

束線帶 CABLE TIES

PINGOOD

12-9-1

電源線固定帶 CABLE TIE



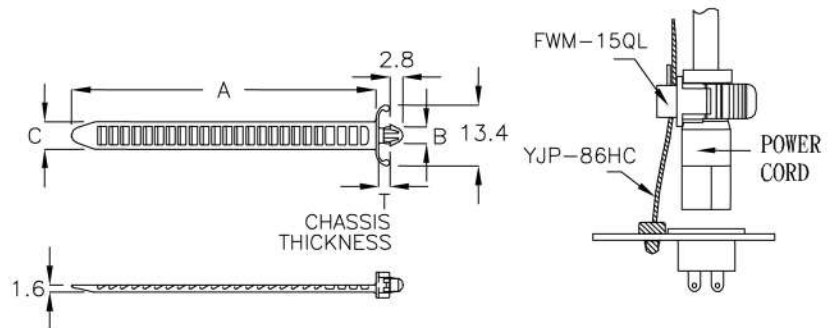
MATERIAL: NYLON 66(UL)
FLAME CLASS: 94V-2
COLOR: BLACK

PART NO	A	C	T CHASSIS THICKNESS	ASSEMBLE WITH P.G. PART	PACKAGE
YJC-64MK	64.2	6.2	1.0~1.4	FWM-7GQ, FWM-8K FWM-11A, FWM-15A FWM-19M, FYA-15TR FYB-15NK, FYD-13K FYL-17C	500

ASSEMBLE WITH P.G. PART FWM-SERIES, FYA-SERIES, FYB-SERIES, FYD-SERIES or FYL-SERIES (Page 12-14-2, 12-15, 12-16)

12-9-2

電源線固定帶 CABLE TIE



MATERIAL: NYLON 66(UL)
FLAME CLASS: 94V-2
COLOR: BLACK

PART NO	A	B HOLE IN CHASSIS	C	T CHASSIS THICKNESS	ASSEMBLE WITH P.G. PART	PACKAGE
YJP-86HC	86.75	ø3.5	6.0	0.8~2.0	FWM-15QL	100

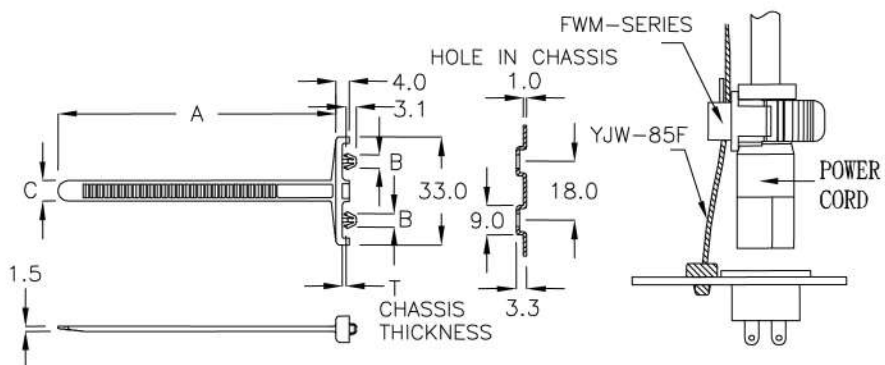
ASSEMBLE WITH P.G. PART FWM-15QL (Page 12-15-2)

束線帶 CABLE TIES

PINGOOD

12-10-1

電源線固定帶 CABLE TIE



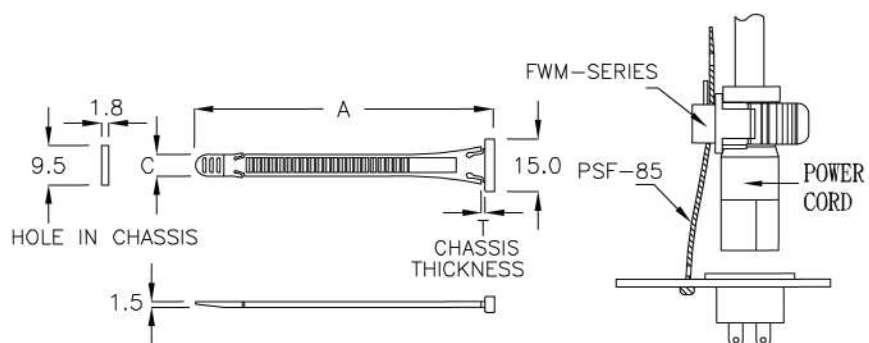
MATERIAL: NYLON 66(UL)
FLAME CLASS: 94V-2
COLOR: BLACK

PART NO	A	B HOLE IN CHASSIS	C	T CHASSIS THICKNESS	ASSEMBLE WITH P.G. PART	PACKAGE
YJW-85F	85.0	∅4.0	6.2	1.0	FWM-11PH, FWM-15PD	100

ASSEMBLE WITH P.G. PART FWM-SERIES (Page 12-14-2)

12-10-2

電源線固定帶 CABLE TIE



MATERIAL: NYLON 66(UL)
FLAME CLASS: 94V-2
COLOR: BLACK

PART NO	A	C	T CHASSIS THICKNESS	ASSEMBLE WITH P.G. PART	PACKAGE
PSF-85	85.0	6.2	0.8	FWM-11PH, FWM-15PD	500

ASSEMBLE WITH P.G. PART FWM-SERIES (Page 12-14-2)

束線帶 CABLE TIES

PINGOOD

12-11-1

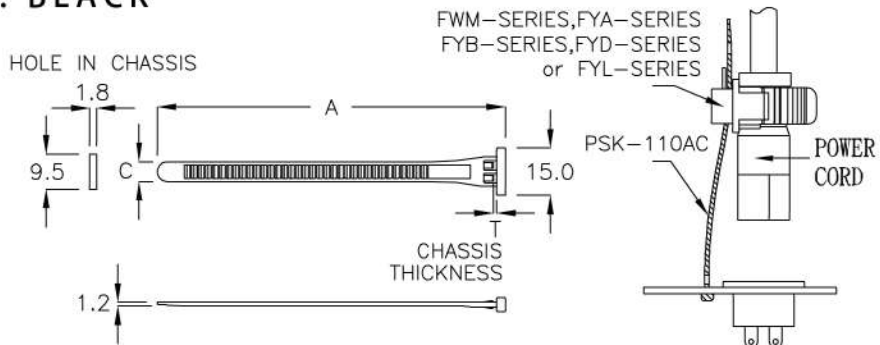


電源線固定帶 CABLE TIE

MATERIAL: NYLON 66(UL)

FLAME CLASS: 94V-2

COLOR: BLACK



PART NO	A	C	T CHASSIS THICKNESS	ASSEMBLE WITH P.G. PART	PACKAGE
PSK-110AC	110.0	6.2	0.8	FWM-7GQ, FWM-8K FWM-11A, FWM-15A FWM-19M, FYA-15TR FYB-15NK, FYD-13K FYL-17C	500

ASSEMBLE WITH P.G. PART FWM-SERIES, FYA-SERIES, FYB-SERIES, FYD-SERIES or FYL-SERIES (Page 12-14-2, 12-15, 12-16)

12-11-2

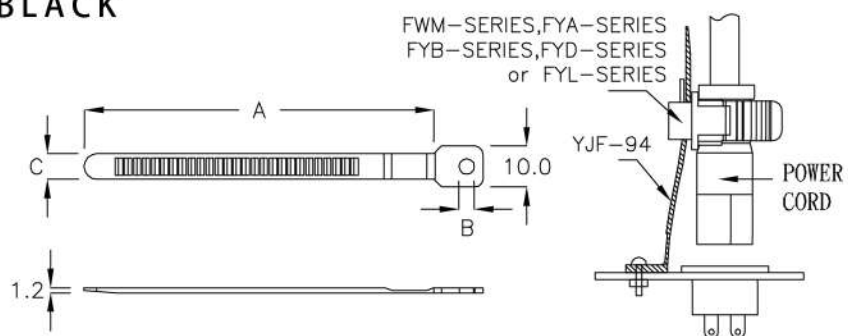


電源線固定帶 CABLE TIE

MATERIAL: NYLON 66(UL)

FLAME CLASS: 94V-2

COLOR: BLACK



PART NO	A	B HOLE IN CHASSIS	C	ASSEMBLE WITH P.G. PART	PACKAGE
YJF-94	85.0	∅3.8	6.2	FWM-7GQ, FWM-8K FWM-11A, FWM-15A FWM-19M, FYA-15TR FYB-15NK, FYD-13K FYL-17C	100

ASSEMBLE WITH P.G. PART FWM-SERIES, FYA-SERIES, FYB-SERIES, FYD-SERIES or FYL-SERIES (Page 12-14-2, 12-15, 12-16)

束線帶 CABLE TIES

PINGOOD

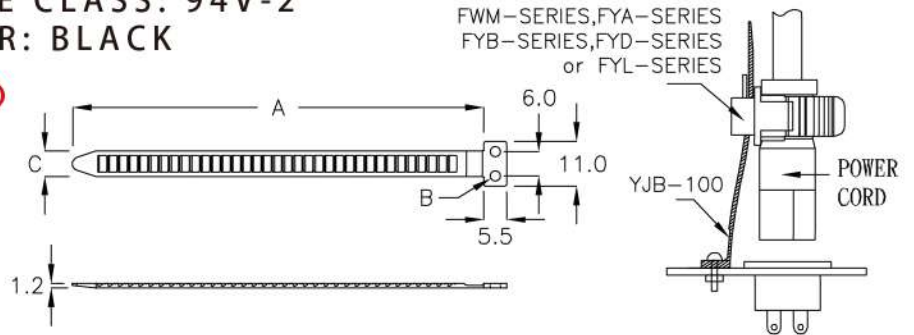
12-12-1



電源線固定帶 CABLE TIE

MATERIAL: NYLON 66(UL)
FLAME CLASS: 94V-2
COLOR: BLACK

NEW



PART NO	A	B HOLE IN CHASSIS	C	ASSEMBLE WITH P.G. PART	PACKAGE
★ YJB-100	100.0	∅2.5	6.2	FWM-7GQ, FWM-8K FWM-11A, FWM-15A FWM-19M, FYA-15TR FYB-15NK, FYD-13K FYL-17C	100

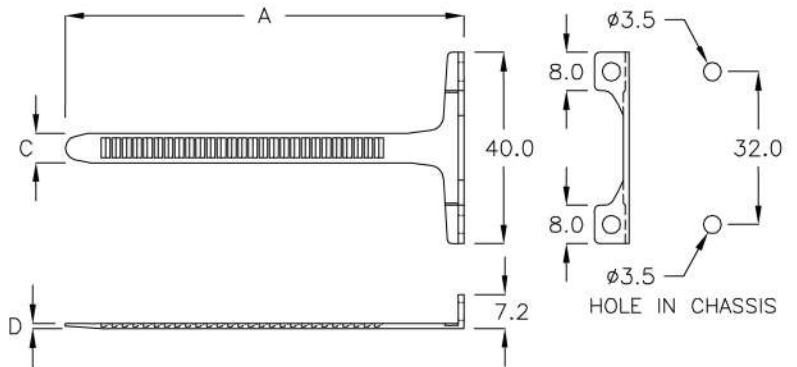
ASSEMBLE WITH P.G. PART FWM-SERIES, FYA-SERIES, FYB-SERIES, FYD-SERIES or FYL-SERIES (Page 12-14-2, 12-15, 12-16)

12-12-2



電源線固定帶 CABLE TIE

MATERIAL: NYLON 66(UL)
FLAME CLASS: 94V-2
COLOR: BLACK



PART NO	A	C	D	ASSEMBLE WITH P.G. PART	PACKAGE
YJL-83M	83.5	6.2	1.2	FWM-7GQ, FWM-8K FWM-11A, FWM-15A FWM-19M, FYA-15TR FYB-15NK, FYD-13K FYL-17C	100

ASSEMBLE WITH P.G. PART FWM-SERIES, FYA-SERIES, FYB-SERIES, FYD-SERIES or FYL-SERIES (Page 12-14-2, 12-15, 12-16)

束線帶 CABLE TIES

PINGOOD

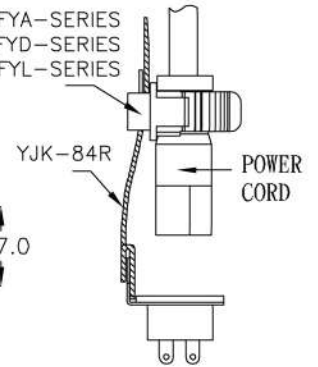
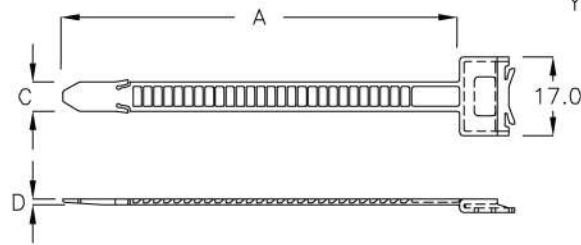
12-13-1



電源線固定帶 CABLE TIE

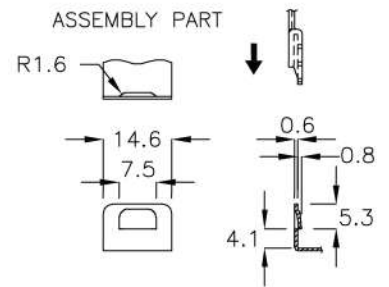
MATERIAL: NYLON 66(UL)
FLAME CLASS: 94V-2
COLOR: BLACK

FWM-SERIES, FYA-SERIES
FYB-SERIES, FYD-SERIES
or FYL-SERIES

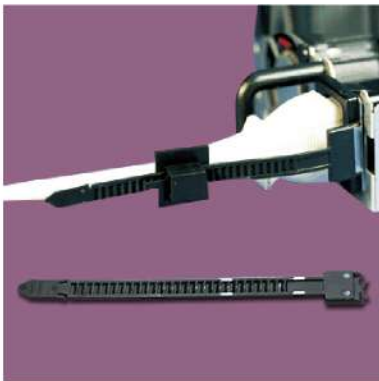


PART NO	A	C	D	ASSEMBLE WITH P.G. PART	PACKAGE
YJK-84R	84.6	6.2	1.2	FWM-7GQ, FWM-8K FWM-11A, FWM-15A FWM-19M, FYA-15TR FYB-15NK, FYD-13K FYL-17C	100

ASSEMBLE WITH P.G. PART FWM-SERIES, FYA-SERIES, FYB-SERIES, FYD-SERIES or FYL-SERIES (Page 12-14-2, 12-15, 12-16)



12-13-2

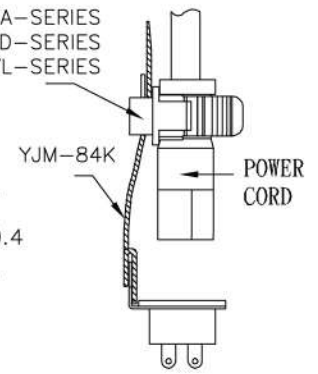
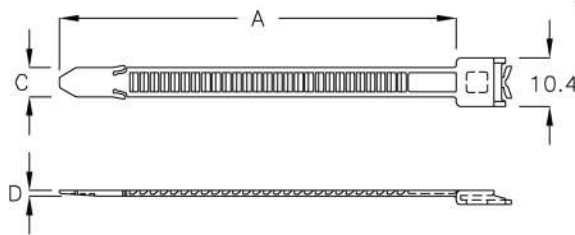


電源線固定帶 CABLE TIE

MATERIAL: NYLON 66(UL)
FLAME CLASS: 94V-2
COLOR: BLACK

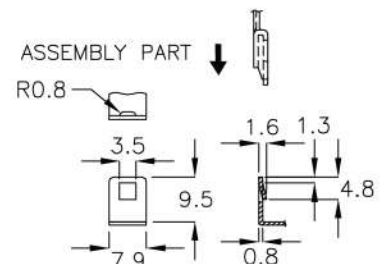
NEW

FWM-SERIES, FYA-SERIES
FYB-SERIES, FYD-SERIES
or FYL-SERIES



PART NO	A	C	D	ASSEMBLE WITH P.G. PART	PACKAGE
★ YJM-84K	84.6	6.2	1.2	FWM-7GQ, FWM-8K FWM-11A, FWM-15A FWM-19M, FYA-15TR FYB-15NK, FYD-13K FYL-17C	100

ASSEMBLE WITH P.G. PART FWM-SERIES, FYA-SERIES, FYB-SERIES, FYD-SERIES or FYL-SERIES (Page 12-14-2, 12-15, 12-16)



束線帶 CABLE TIES

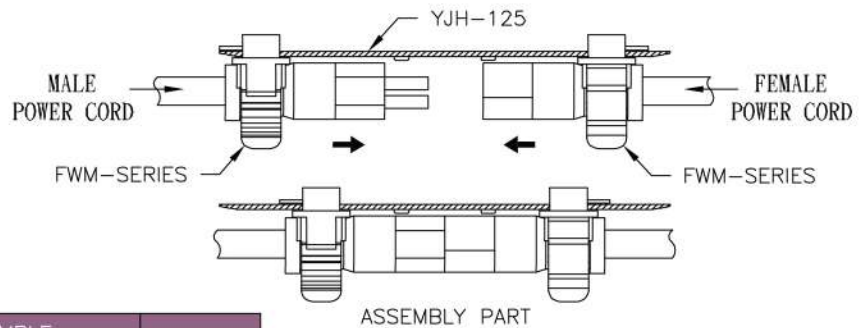
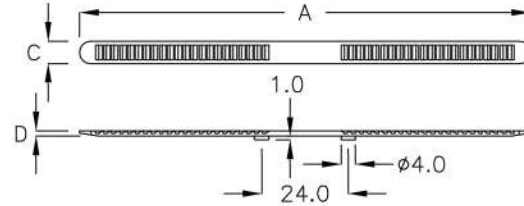
PINGOOD

12-14-1



電源線固定帶 CABLE TIE

MATERIAL: NYLON 66(UL)
FLAME CLASS: 94V-2
COLOR: BLACK



PART NO	A	C	D	ASSEMBLE WITH P.G. PART	PACKAGE
YJH-125	125.0	6.2	1.5	FWM-11PH, FWM-15PD	100

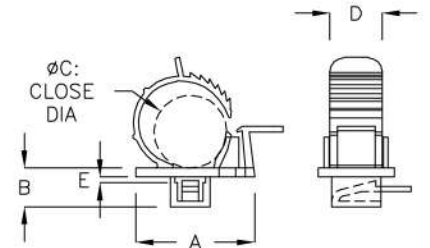
ASSEMBLE WITH P.G. PART FWM-SERIES (Page 12-14-2)

12-14-2



電源線固定座 POWER CORD MOUNTING

MATERIAL: NYLON 66(UL)
FLAME CLASS: 94V-2
COLOR: BLACK



PART NO	A	B	ϕC CLOSE DIA	D	E	ASSEMBLE WITH P.G. PART	PACKAGE
FWM-7GQ	18.0	8.1	$\phi 5.0 \sim \phi 6.5$	11.0	1.3	YJA-85, YJB-100	100
FWM-8K	18.0	8.1	$\phi 6.8 \sim \phi 8.5$	11.0	1.3	YJC-64C, YJC-64MK	
FWM-11A	25.0	8.3	$\phi 8.0 \sim \phi 11.0$	11.0	1.3	YJF-94, YJK-84R	
FWM-15A	24.8	8.1	$\phi 11.5 \sim \phi 15.3$	11.0	1.3	YJL-83M, YJM-84K	
FWM-19M	28.3	8.3	$\phi 15.3 \sim \phi 19.0$	11.0	1.3	YJR-86A, PSK-110AC	
FWM-11PH	25.0	8.3	$\phi 8.0 \sim \phi 11.0$	11.0	1.6	YJA-85PD, YJH-125	
FWM-15PD	24.8	8.1	$\phi 11.5 \sim \phi 15.3$	11.0	1.6	YJW-85F, PSF-85	

ASSEMBLE WITH P.G. PART YJA-SERIES, YJB-SERIES, YJC-SERIES, YJF-SERIES, YJH-SERIES, YJK-SERIES, YJL-SERIES, YJM-SERIES, YJR-SERIES, YJW-SERIES, PSF-SERIES or PSK-SERIES (Page 12-7, 12-8, 12-9, 12-10, 12-11, 12-12, 12-13, 12-14)

束線帶 CABLE TIES

PINGOOD

12-15-1

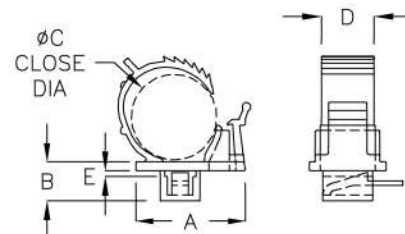


電源線固定座 POWER CORD MOUNTING

MATERIAL: NYLON 66(UL)

FLAME CLASS: 94V-2

COLOR: BLACK



PART NO	A	B	øC CLOSE DIA	D	E	ASSEMBLE WITH P.G. PART	PACKAGE
FYB-15NK	22.7	8.1	ø11.5~ø15.3	11.0	1.3	YJA-85, YJB-100, YJC-64C YJC-64MK, YJF-94, YJK-84R YJL-83M, YJM-84K, YJR-86A PSK-110AC	100

ASSEMBLE WITH P.G. PART YJA-SERIES, YJB-SERIES, YJC-SERIES, YJF-SERIES, YJK-SERIES, YJL-SERIES, YJM-SERIES, YJR-SERIES or PSK-SERIES (Page 12-7, 12-8, 12-9, 12-11, 12-12, 12-13)

12-15-2

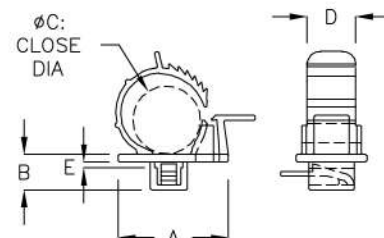


電源線固定座 POWER CORD MOUNTING

MATERIAL: NYLON 66(UL)

FLAME CLASS: 94V-2

COLOR: BLACK



PART NO	A	B	øC CLOSE DIA	D	E	ASSEMBLE WITH P.G. PART	PACKAGE
FWM-15QL	20.5	8.3	ø11.5~ø15.3	11.0	1.8	YJP-86HC	100
FYA-15TR	24.8	8.1	ø11.5~ø15.3	11.0	1.3	YJA-85, YJB-100, YJC-64C YJC-64MK, YJF-94, YJK-84R YJL-83M, YJM-84K, YJR-86A PSK-110AC	

ASSEMBLE WITH P.G. PART YJA-SERIES, YJB-SERIES, YJC-SERIES, YJF-SERIES, YJK-SERIES, YJL-SERIES, YJM-SERIES, YJR-SERIES or PSK-SERIES (Page 12-7, 12-8, 12-9, 12-11, 12-12, 12-13)

束線帶 CABLE TIES

PINGOOD

12-16-1

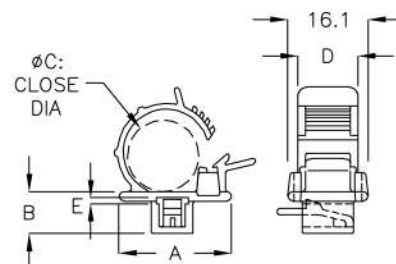


電源線固定座 POWER CORD MOUNTING

MATERIAL: NYLON 66(UL)

FLAME CLASS: 94V-2

COLOR: BLACK



PART NO	A	B	∅C CLOSE DIA	D	E	ASSEMBLE WITH P.G. PART	PACKAGE
FYD-13K	22.5	8.4	∅11.0~∅13.0	12.1	1.3	YJA-85, YJB-100, YJC-64C YJC-64MK, YJF-94, YJK-84R YJL-83M, YJM-84K, YJR-86A PSK-110AC	100

ASSEMBLE WITH P.G. PART YJA-SERIES, YJB-SERIES, YJC-SERIES, YJF-SERIES, YJK-SERIES, YJL-SERIES, YJM-SERIES, YJR-SERIES or PSK-SERIES (Page 12-7, 12-8, 12-9, 12-11, 12-12, 12-13)

12-16-2



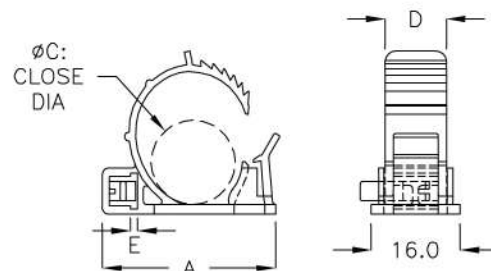
電源線固定座 POWER CORD MOUNTING

MATERIAL: NYLON 66(UL)

FLAME CLASS: 94V-2

COLOR: BLACK

NEW



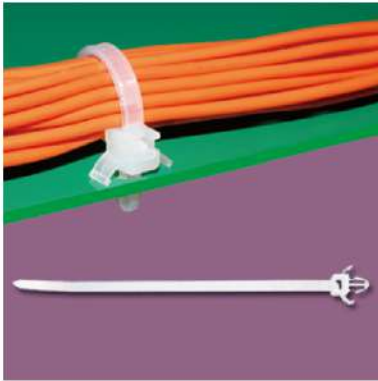
PART NO	A	∅C CLOSE DIA	D	E	ASSEMBLE WITH P.G. PART	PACKAGE
★ FYL-17C	31.1	∅15.0~∅17.0	11.0	1.35	YJA-85, YJB-100, YJC-64C YJC-64MK, YJF-94, YJK-84R YJL-83M, YJM-84K, YJR-86A PSK-110AC	100

ASSEMBLE WITH P.G. PART YJA-SERIES, YJB-SERIES, YJC-SERIES, YJF-SERIES, YJK-SERIES, YJL-SERIES, YJM-SERIES, YJR-SERIES or PSK-SERIES (Page 12-7, 12-8, 12-9, 12-11, 12-12, 12-13)

束線帶 CABLE TIES

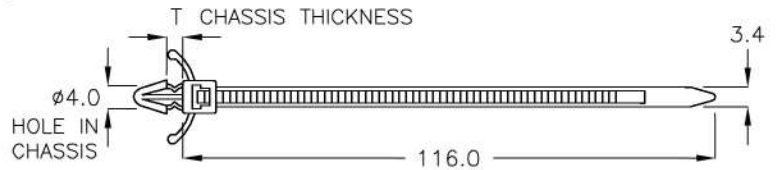
PINGOOD

12-17-1



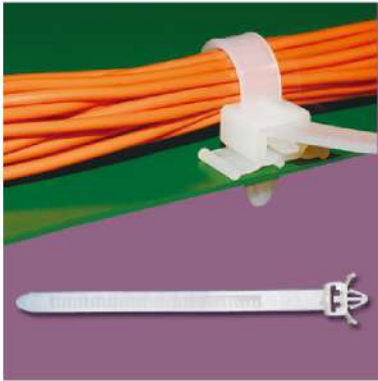
電線束線帶 MOUNTING CABLE TIE

MATERIAL: NYLON 66(UL)
FLAME CLASS: 94V-2
COLOR: NATURAL



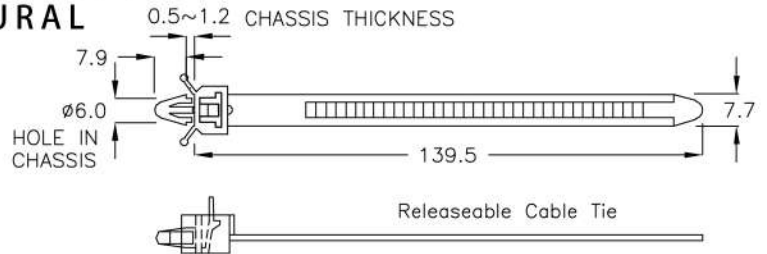
PART NO	APPROX LENGTH	APPROX WIDTH	MAX BUNDLE DIA	T CHASSIS THICKNESS	PACKAGE
YJ-123	123(4.84")	3.4(0.13")	25.4(1.00")	0.8~2.0	500
YJ-123TK	123(4.84")	3.4(0.13")	25.4(1.00")	2.0~2.5	

12-17-2



電線束線帶 MOUNTING CABLE TIE

MATERIAL: NYLON 66(UL)
FLAME CLASS: 94V-2
COLOR: NATURAL



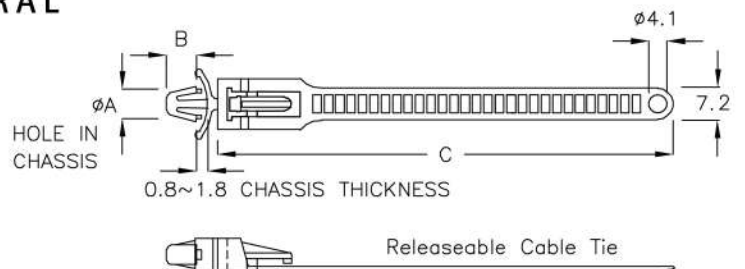
PART NO	APPROX LENGTH	APPROX WIDTH	MAX BUNDLE DIA	PACKAGE
YJ-151	149.0(5.86")	7.7(0.3")	33(1.3")	100

12-17-3



電線束線帶 MOUNTING CABLE TIE

MATERIAL: NYLON 66(UL)
FLAME CLASS: 94V-2
COLOR: NATURAL

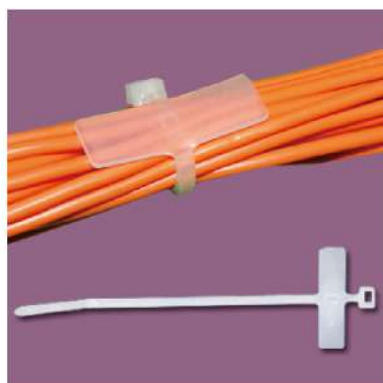


PART NO	A	B	C	APPROX LENGTH	APPROX WIDTH	MAX BUNDLE DIA	PACKAGE
YAA-118	6.5	7.1	117.4	129(5.08")	7.2(0.284")	28.5(1.125")	100
YAA-150	3.8	5.0	150.0	160(6.30")	7.2(0.284")	40.0(1.575")	

束線帶 CABLE TIES

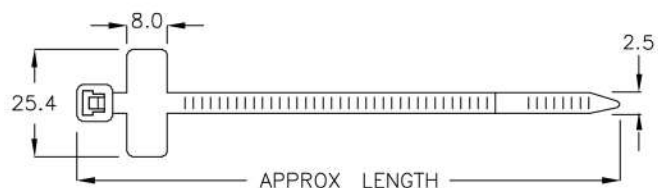
PINGOOD

12-18-1



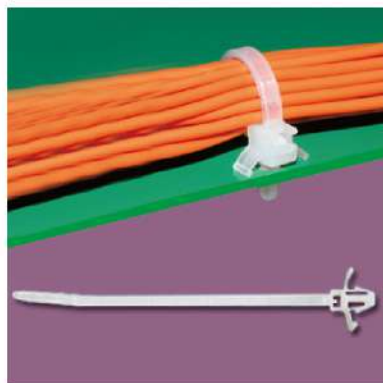
電線束線帶 MARKER TIE

MATERIAL: NYLON 66(UL)
FLAME CLASS: 94V-2
COLOR: NATURAL



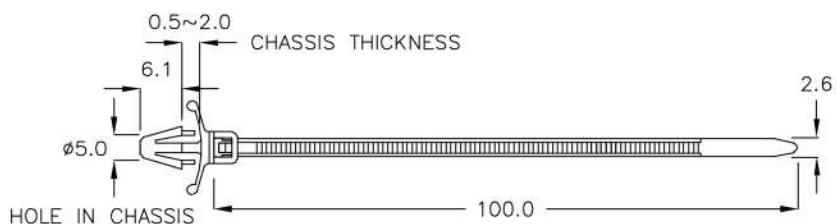
PART NO	APPROX LENGTH	APPROX WIDTH	MAX BUNDLE DIA	PACKAGE
MCT-98	99(3.86")	2.5(0.10")	21.0(0.81")	500

12-18-2



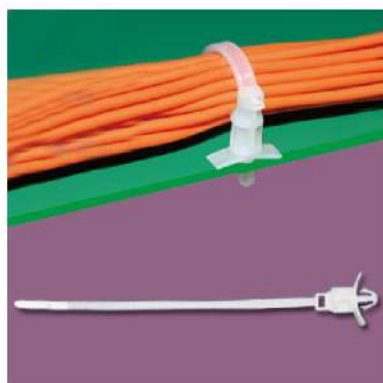
電線束線帶 MOUNTING CABLE TIE

MATERIAL: NYLON 66(UL)
FLAME CLASS: 94V-2
COLOR: NATURAL



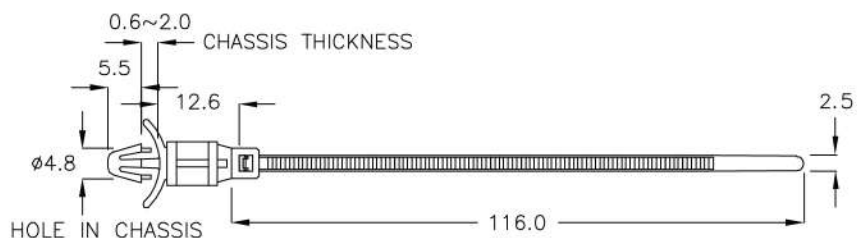
PART NO	APPROX LENGTH	APPROX WIDTH	MAX BUNDLE DIA	PACKAGE
YJ-99T	108(4.25")	2.6(0.10")	22.0(0.86")	500

12-18-3



電線束線帶 MOUNTING CABLE TIE

MATERIAL: NYLON 66(UL)
FLAME CLASS: 94V-2
COLOR: NATURAL



PART NO	APPROX LENGTH	APPROX WIDTH	MAX BUNDLE DIA	PACKAGE
YJ-138T	114.8(4.52")	2.5(0.10")	25.4(1.00")	500

束線帶 CABLE TIES

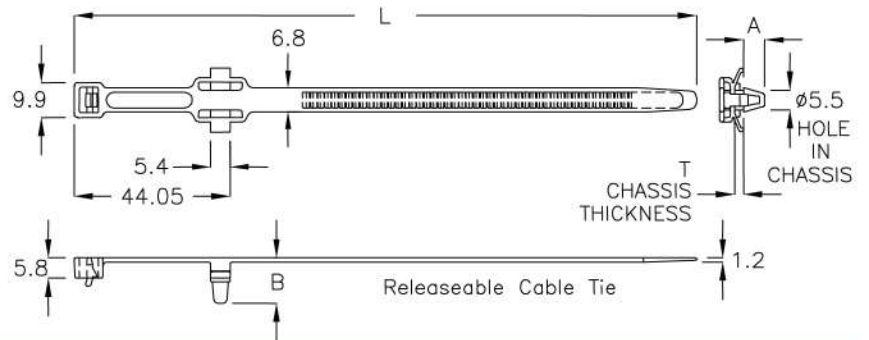
PINGOOD

12-19-1



電線束線帶 MOUNTING CABLE TIE

MATERIAL: NYLON 66(UL)
FLAME CLASS: 94V-0
COLOR: BLACK



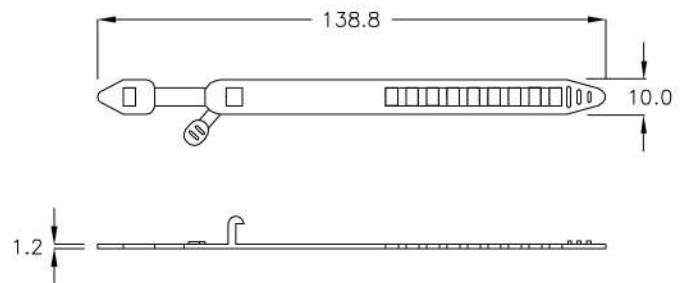
PART NO	A	B	L	APPROX WIDTH	MAX BUNDLE DIA	T CHASSIS THICKNESS	PACKAGE
YAM-180RC	5.1	12.4	180(7.09")	6.8(0.268")	45.0(1.772")	2.3~2.5	200
★ YAM-180MQ	6.0	12.8	180(7.09")	6.8(0.268")	45.0(1.772")	0.5~2.0	

12-19-2



電源收線固定帶 STRAP TIE (BST-1)

MATERIAL: PE
COLOR: NATURAL, BLACK
PACKAGE: 500



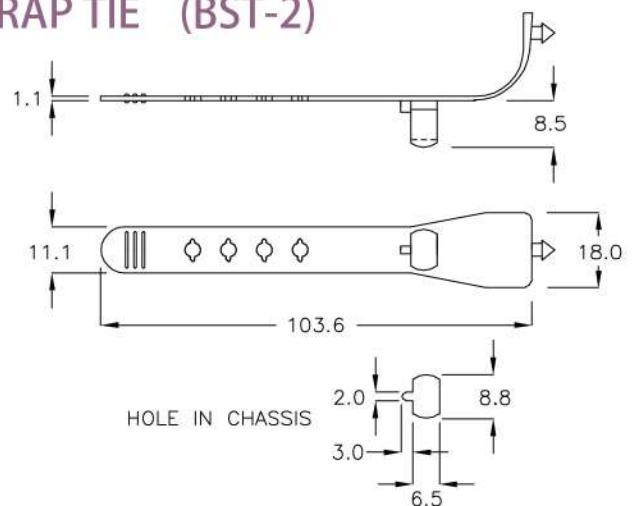
*SUITABLE BUNDLE DIA: Ø10.0~Ø27.0

12-19-3



電源收線固定帶 STRAP TIE (BST-2)

MATERIAL: PE
COLOR: BLACK
PACKAGE: 200

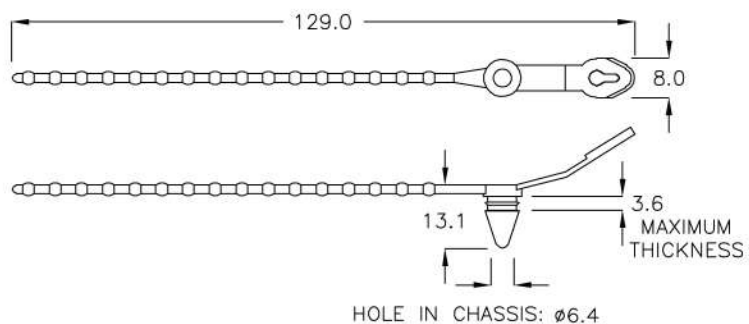


束線帶 CABLE TIES

PINGOOD

12-20-1

電源收線固定帶 STRAP TIE (BST-3)

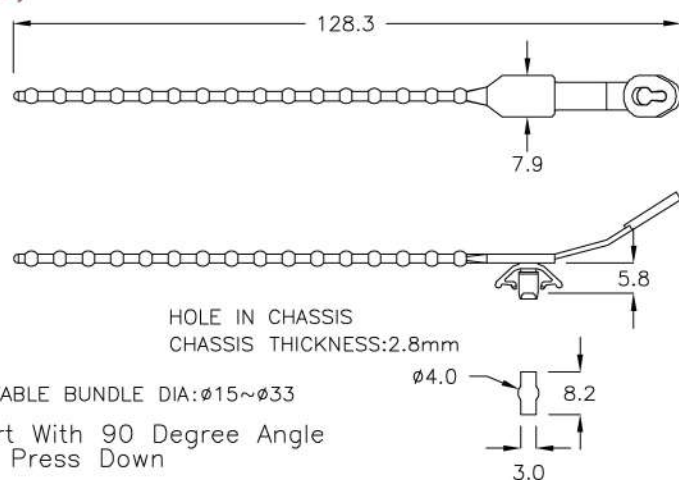


*SUITABLE BUNDLE DIA: $\phi 15.0 \sim \phi 35.0$

MATERIAL: NYLON 66(UL)
FLAME CLASS: 94V-2
COLOR: BLACK, NATURAL
PACKAGE: 500

12-20-2

電源收線固定帶 STRAP TIE (BST-128)



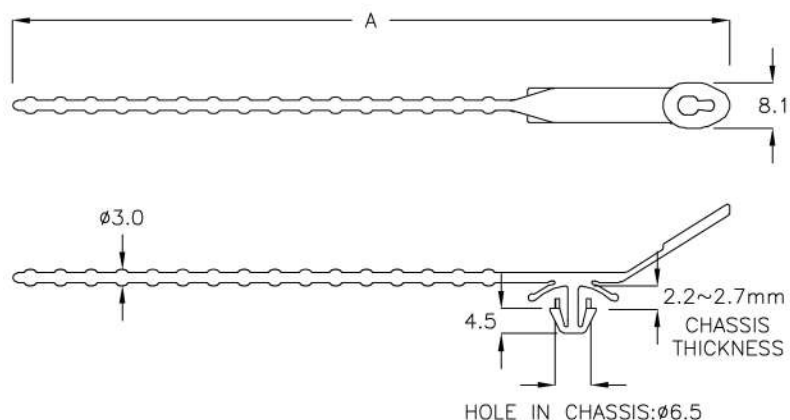
*SUITABLE BUNDLE DIA: $\phi 15 \sim \phi 33$

Insert With 90 Degree Angle
And Press Down

MATERIAL: NYLON 66(UL)
FLAME CLASS: 94V-2
COLOR: BLACK
PACKAGE: 500

12-20-3

電源收線固定帶 STRAP TIE



MATERIAL: NYLON 66(UL)
FLAME CLASS: 94V-2
COLOR: BLACK, NATURAL

PART NO	A	SUITABLE BUNDLE DIA	PACKAGE
BST-129	129.0	$\phi 15.0 \sim \phi 35.0$	500

束線帶 CABLE TIES

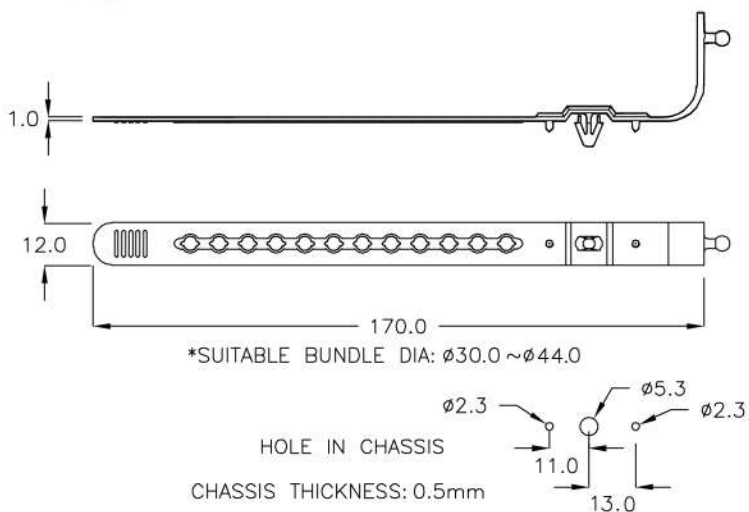
PINGOOD

12-21-1

電源收線固定帶 STRAP TIE (BST-170C)



MATERIAL: PE
COLOR: BLACK
PACKAGE: 100

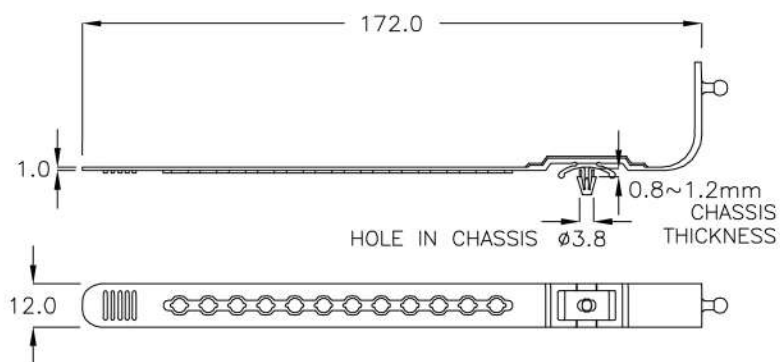


12-21-2

電源收線固定帶 STRAP TIE



MATERIAL: PE
COLOR: BLACK



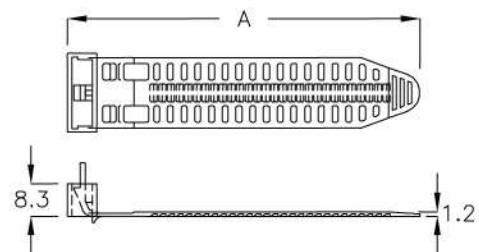
PART NO	A	SUITABLE BUNDLE DIA	PACKAGE
BST-172CF	172.0	$\phi 30.0 \sim \phi 44.0$	200

12-21-3

電源收線固定帶 STRAP TIE



MATERIAL: NYLON 66(UL)
FLAME CLASS: 94V-2
COLOR: BLACK



PART NO	A	B	BUNDLE DIA	PACKAGE
YJD-85H	92.5	20.1	$\phi 9.0 \sim \phi 19.0$	100

束線帶 CABLE TIES

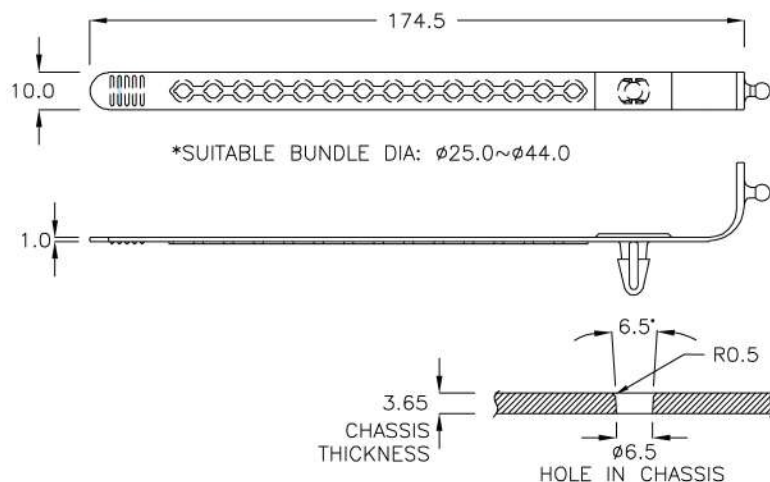
PINGOOD

12-22-1

電源收線固定帶 STRAP TIE (BST-174A)



MATERIAL: PE
COLOR: BLACK
PACKAGE: 100

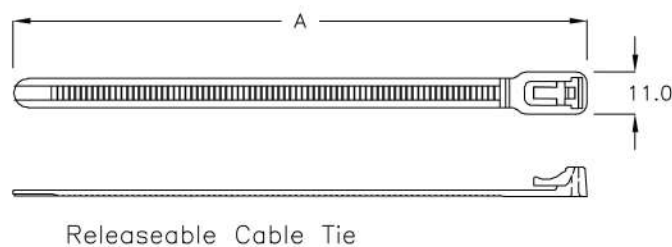


12-22-2

電源收線固定帶 STRAP TIE



MATERIAL: NYLON 66(UL)
FLAME CLASS: 94V-2
COLOR: NATURAL



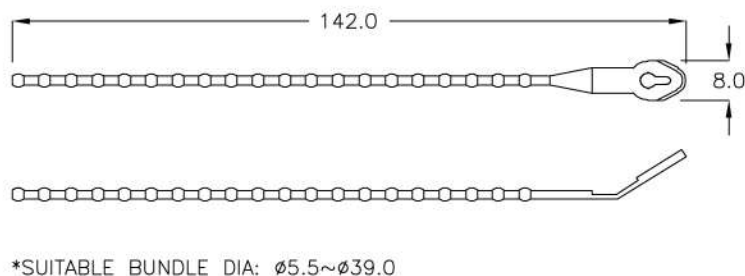
PART NO	A	SUITABLE BUNDLE DIA	PACKAGE
YAK-148	148.0	$\phi 8.0 \sim \phi 36.0$	500
YAK-196A	196.4	$\phi 8.0 \sim \phi 50.0$	

12-22-3

電源收線固定帶 STRAP TIE (BST-3A)



MATERIAL: NYLON 66(UL)
FLAME CLASS: 94V-2
COLOR: BLACK, NATURAL
PACKAGE: 500



束線帶 CABLE TIES

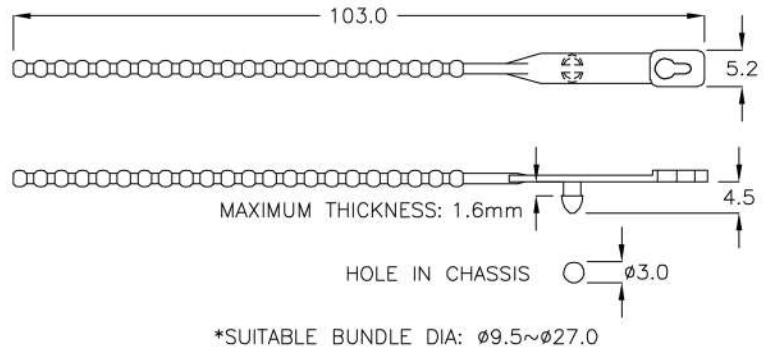
PINGOOD

12-23-1



電源收線固定帶 STRAP TIE (BST-5)

MATERIAL: NYLON 66(UL)
 FLAME CLASS: 94V-2
 COLOR: BLACK
 PACKAGE: 500

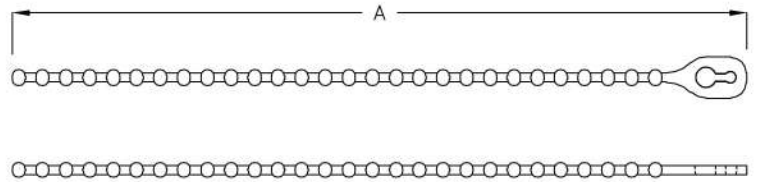


12-23-2



活動束線帶 MOVABLE TIE

MATERIAL: NYLON 66(UL)
 FLAME CLASS: 94V-2
 COLOR: NATURAL, BLACK



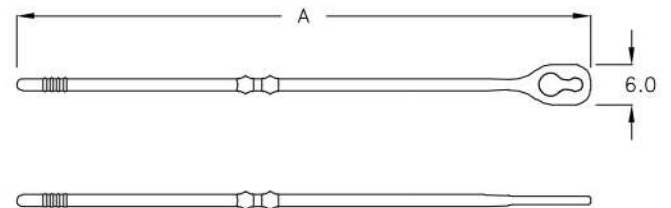
PART NO	A	SUITABLE BUNDLE DIA	PACKAGE
BST-6A	106.0	$\phi 6.0 \sim \phi 27.0$	500
BST-6C	70.0	$\phi 6.0 \sim \phi 17.0$	
BST-6HJ	88.0	$\phi 6.0 \sim \phi 20.0$	

12-23-3



活動束線帶 STRAP TIE

MATERIAL: NYLON 66(UL)
 FLAME CLASS: 94V-2
 COLOR: BLACK



PART NO	A	SUITABLE BUNDLE DIA	PACKAGE
BXR-86	86.0	$\phi 13.0$	500

束線帶 CABLE TIES

PINGOOD

12-24-1

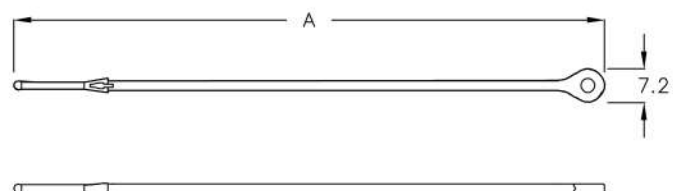


活動束線帶 STRAP TIE

MATERIAL: NYLON 66(UL)

FLAME CLASS: 94V-2

COLOR: NATURAL, BLACK



PART NO	A	SUITABLE BUNDLE DIA	PACKAGE
BFN-102	125.6	φ30	500

12-24-2

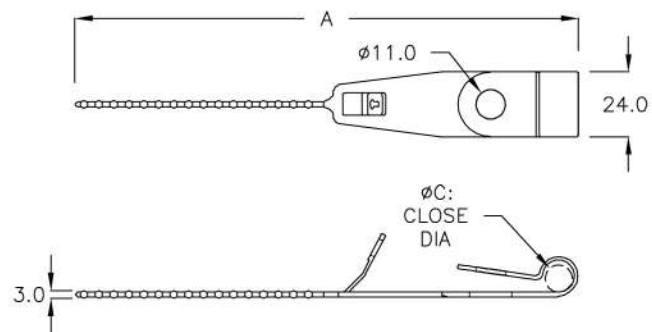


活動束線帶 STRAP TIE

MATERIAL: NYLON 66(UL)

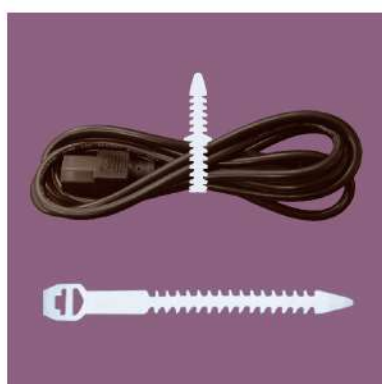
FLAME CLASS: 94V-2

COLOR: BLACK



PART NO	A	SUITABLE BUNDLE DIA	φC CLOSE DIA	PACKAGE
BST-185P	185.0	φ15.4~φ32.4	φ10.0	10

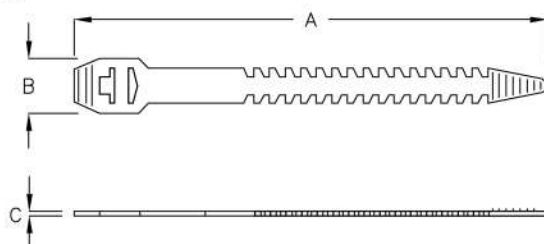
12-24-3



電源收線固定帶 STRAP TIE

MATERIAL: PE

COLOR: NATURAL, BLACK



PART NO	A	B	C	BUNDLE DIA	PACKAGE
LST-6	141.5	15.5	2.0	φ16.0~φ34.0	500
LST-8	158.5	15.8	2.5	φ26.0~φ38.0	100

束線帶 CABLE TIES

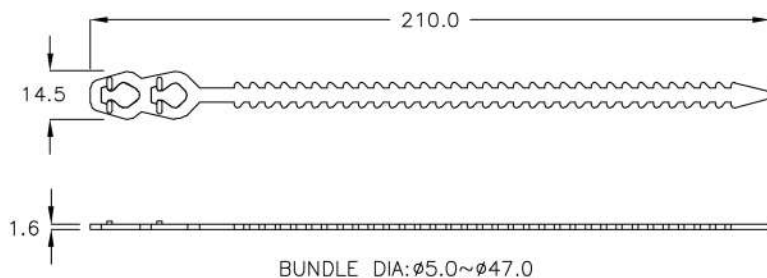
PINGOOD

12-25-1



電源收線固定帶 STRAP TIE (LST-10)

MATERIAL: PE
COLOR: NATURAL, BLACK
PACKAGE: 500

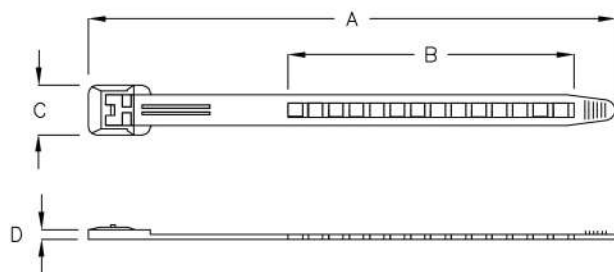


12-25-2



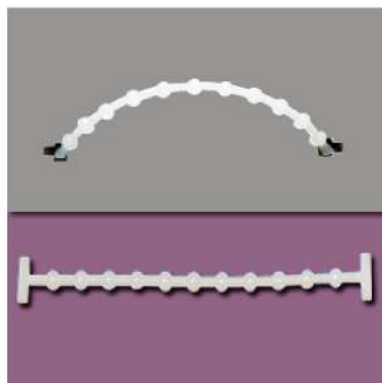
電源收線固定帶 STRAP TIE

COLOR: NATURAL, BLACK



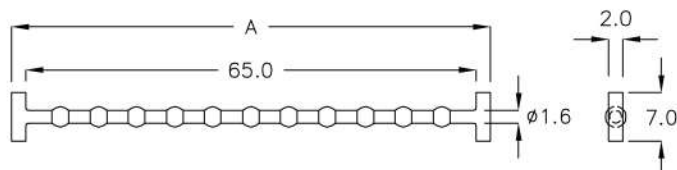
PART NO	MATERIAL	A	B	C	D	BUNDLE DIA	PACKAGE
PST-1	N66	125.0	63.75	13.0	2.5	ø15.0~ø33.0	500
PST-2A	N66/PE	151.5	80.0	14.5	2.6	ø15.0~ø39.0	
PST-5	PE	180.4	109.5	14.5	2.6	ø15.5~ø47.5	
PST-6	PE	209.0	139.0	14.5	2.6	ø20.0~ø55.0	

12-25-3



活動束線帶 STRAP TIE (BST-4)

MATERIAL: NYLON 66(UL)
FLAME CLASS: 94V-2
COLOR: NATURAL



PART NO	A	PACKAGE
BST-4	69.0	1000

束線帶 CABLE TIES

PINGOOD

12-26-1

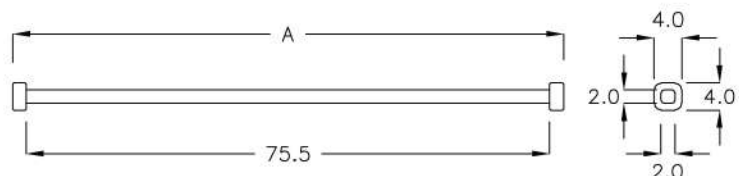


把手 PULLER

MATERIAL: NYLON 66(UL)

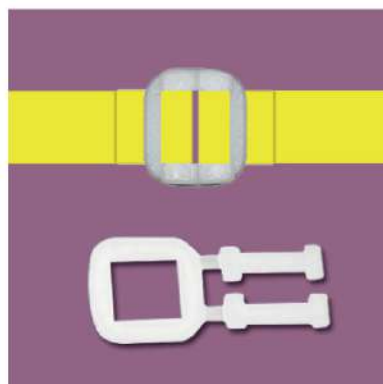
FLAME CLASS: 94V-2

COLOR: BLACK



PART NO	A	PACKAGE
BSQ-75A	79.5	2000

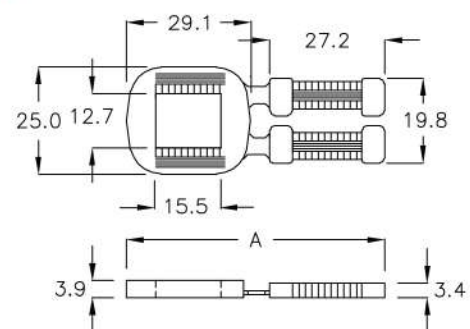
12-26-2



打包扣 PACKING FASTENER

MATERIAL: PP

COLOR: NATURAL

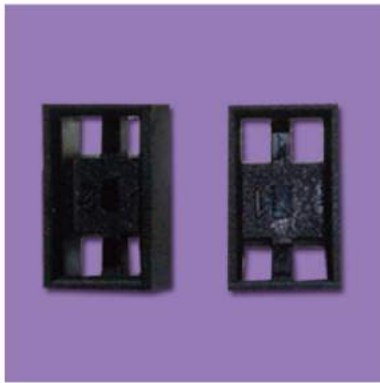


PART NO	A	PACKAGE
PF-1	60.8	200



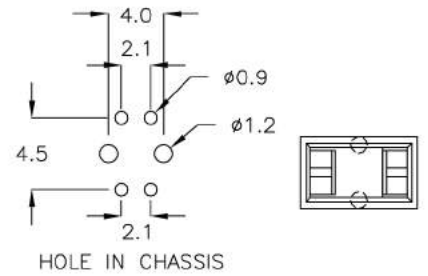
其他塑膠製品
SWITCH EXTENDING
COVER
VR HOUSING
FUSE COVER

13-2-1

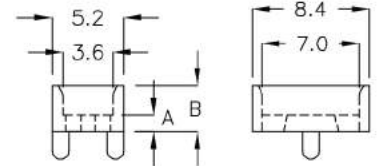


IR座 IR RECEIVER HOUSING

MATERIAL: NYLON 66(UL)
FLAME CLASS: 94V-2
COLOR: BLACK



PART NO	A	B	PACKAGE
EED-3A	1.2	3.3	2000

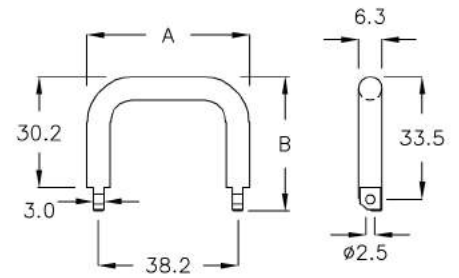


13-2-2



把手 HANDLE

MATERIAL: POM(UL)
FLAME CLASS: 94HB
COLOR: BLACK



PART NO	A	B	PACKAGE
BSA-38	44.6	36.7	200

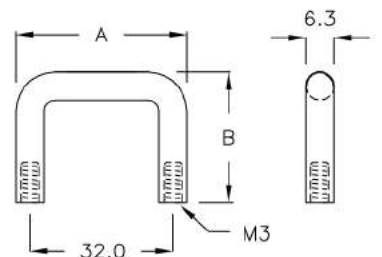
13-2-3



把手 HANDLE

MATERIAL: ABS+PC
FLAME CLASS: 94V-0
COLOR: BLACK

MATERIAL: BRASS



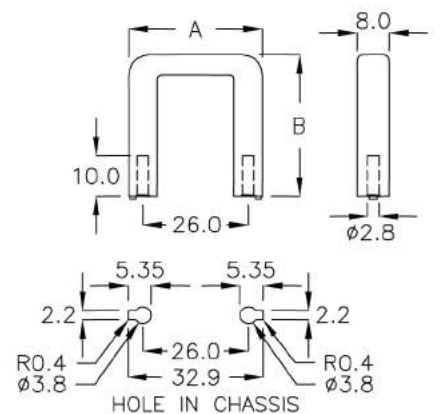
PART NO	A	B	PACKAGE
BWK-32PM	38.3	29.3	200

13-2-4



把手 HANDLE

MATERIAL: ABS+PC
FLAME CLASS: 94V-0
COLOR: BLACK
SCREW: M3.5x8mm
TAPPING SCREW



PART NO	A	B	PACKAGE
BWN-26	33.0	35.0	200

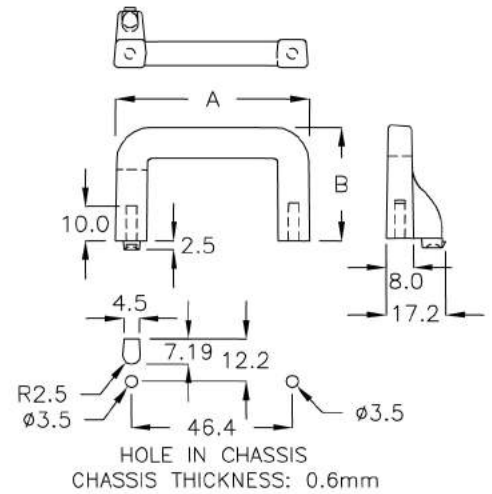
13-3-1



把手 HANDLE

MATERIAL: PC(UL)
 FLAME CLASS: 94V-0
 COLOR: NATURAL
 SCREW: M3.5x8mm
 TAPPING SCREW

PART NO	A	B	PACKAGE
BSA-46K	55.4	32.7	200



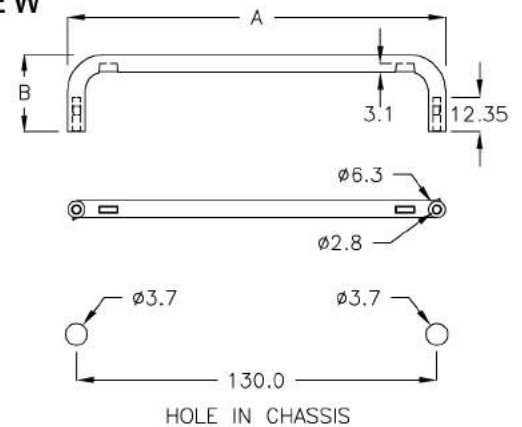
13-3-2



把手 HANDLE

MATERIAL: ABS+PC(UL)
 FLAME CLASS: 94V-0
 COLOR: BLACK
 SCREW: M3.5 TAPPING SCREW

PART NO	A	B	PACKAGE
BSA-130	136.3	27.65	100



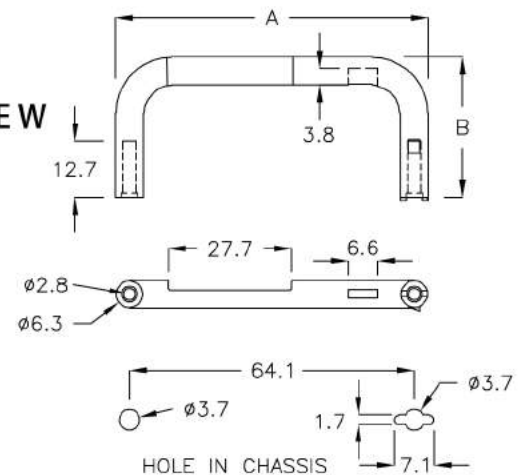
13-3-3



把手 HANDLE

MATERIAL: ABS+PC(UL)
 FLAME CLASS: 94V-0
 COLOR: BLACK
 SCREW: M3.5 TAPPING SCREW

PART NO	A	B	PACKAGE
BSA-64	70.4	31.6	200



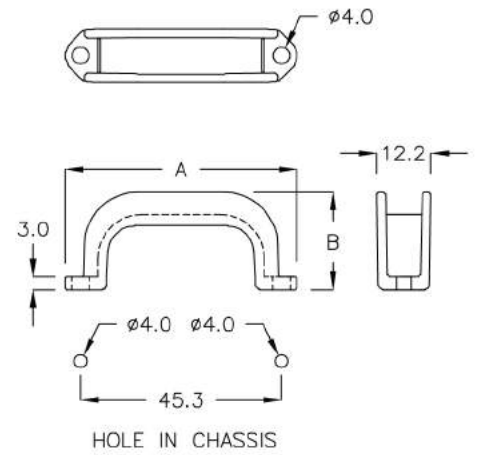
13-4-1



把手 HANDLE

MATERIAL: ABS+PC(UL)
FLAME CLASS: 94V-0
COLOR: BLACK

PART NO	A	B	PACKAGE
BSC-33	52.0	22.0	200



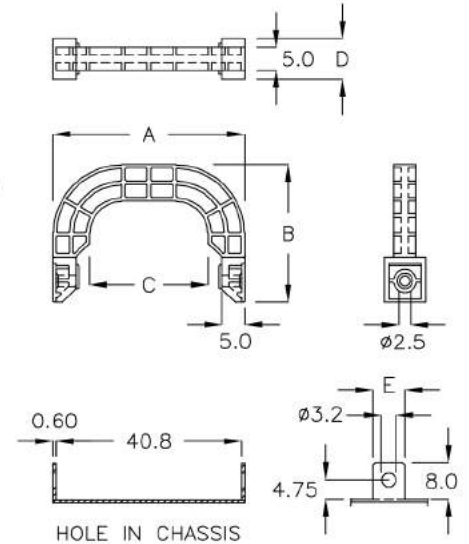
13-4-2



把手 HANDLE

MATERIAL: ABS+PC(UL)
FLAME CLASS: 94V-0
COLOR: BLACK
SCREW: M3 TAPPING SCREW

PART NO	A	B	C	D	E	PACKAGE
BWA-36	42.0	30.25	26.0	9.3	7.1	200
BWA-40H	42.0	20.0	30.0	10.0	6.8	



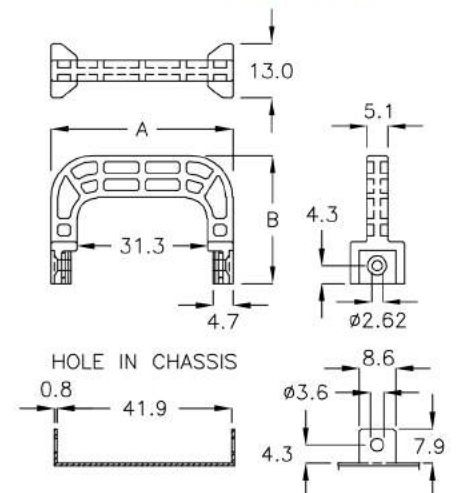
13-4-3



把手 HANDLE

MATERIAL: ABS+PC(UL)
FLAME CLASS: 94V-0
COLOR: BLACK
SCREW: M3x4mm
TAPPING SCREW

PART NO	A	B	PACKAGE
BWH-43A	43.5	30.65	200



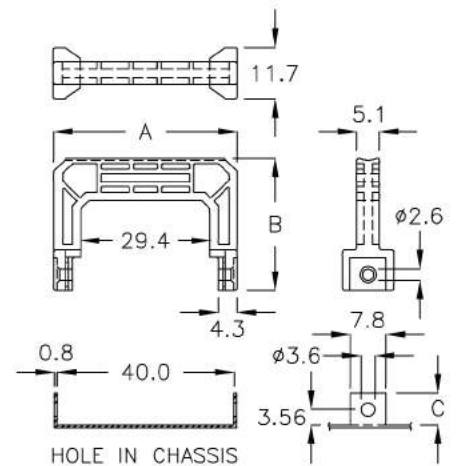
13-5-1



把手 HANDLE

MATERIAL: PC(UL)
FLAME CLASS: 94V-0
COLOR: BLACK
SCREW: M3x4mm
TAPPING SCREW

PART NO	A	B	C	PACKAGE
★ BWF-40GP	41.6	30.0	7.25	200
BWF-40TS	41.6	30.0	6.85	



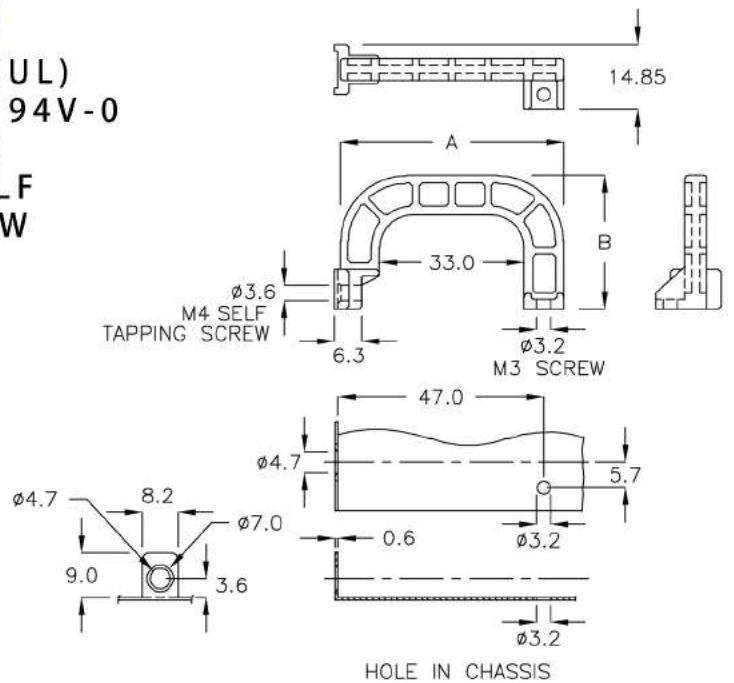
13-5-2



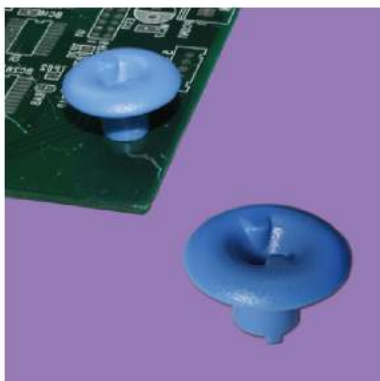
把手 HANDLE

MATERIAL: PC(UL)
FLAME CLASS: 94V-0
COLOR: BLACK
SCREW: M4 SELF
TAPPING SCREW
or M3 SCREW

PART NO	A	B	PACKAGE
BWD-47	51.0	30.5	200



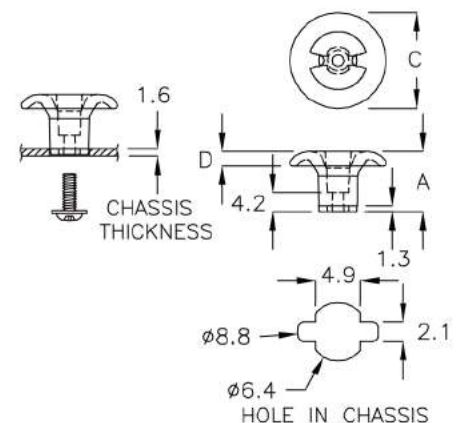
13-5-3



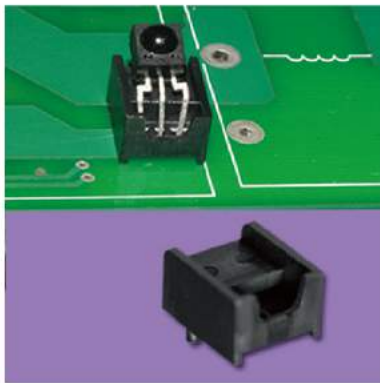
把手 HANDLE

MATERIAL: ABS+PC(UL)
FLAME CLASS: 94V-0
COLOR: BLUE
SCREW: M3 TAPPING SCREW

PART NO	A	C	D	PACKAGE
BJA-13K	13.3	21.0	3.2	100

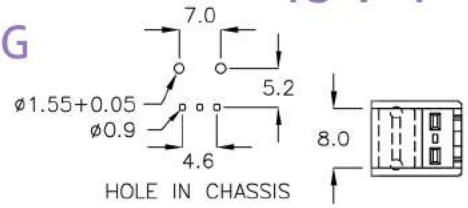


13-7-1

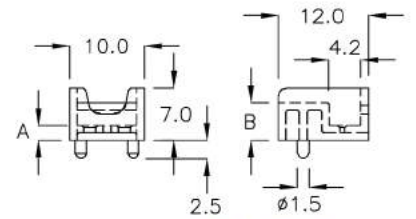


IR座 IR RECEIVER HOUSING

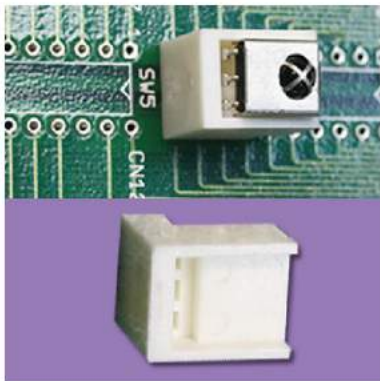
MATERIAL: NYLON 66(UL)
FLAME CLASS: 94V-2
COLOR: BLACK



PART NO	A	B	PACKAGE
CDS-2D	2.0	5.0	500

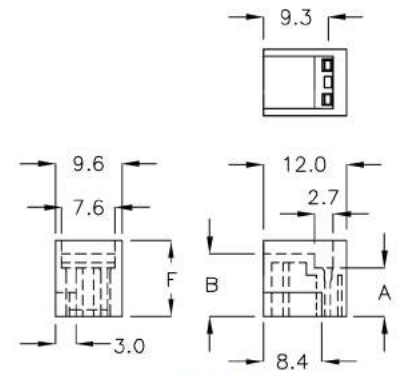


13-7-2



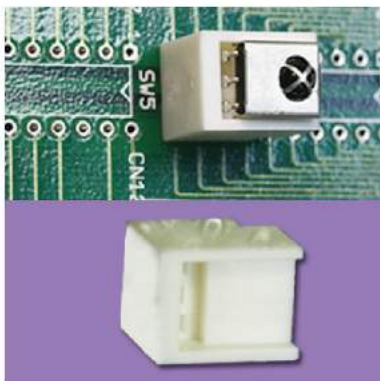
IR座 IR RECEIVER HOUSING

MATERIAL: NYLON 66(UL)
FLAME CLASS: 94V-2
COLOR: NATURAL



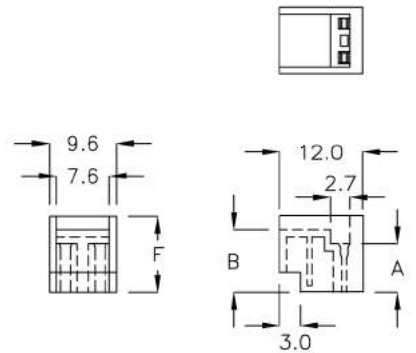
PART NO	A	B	F	PACKAGE
CDS-7A	7.0	9.0	11.0	500

13-7-3



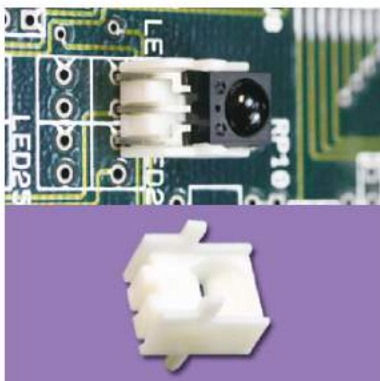
IR座 IR RECEIVER HOUSING

MATERIAL: NYLON 66(UL)
FLAME CLASS: 94V-2
COLOR: NATURAL



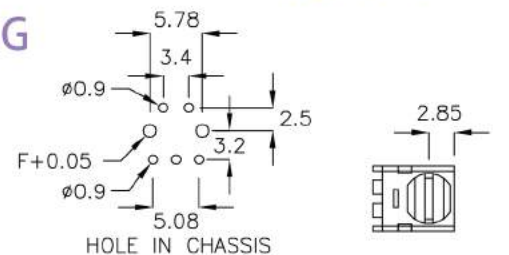
PART NO	A	B	F	PACKAGE
CDS-7B	7.0	9.0	11.0	500

13-7-4

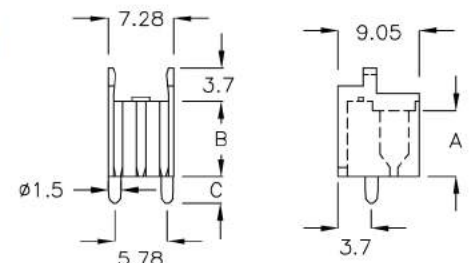


IR座 IR RECEIVER HOUSING

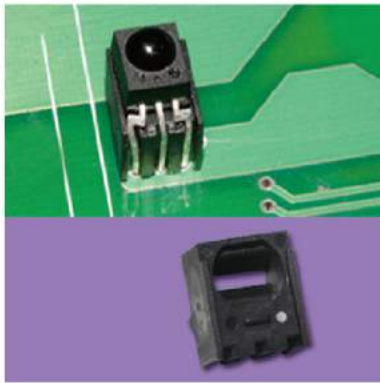
MATERIAL: NYLON 66(UL)
FLAME CLASS: 94V-2
COLOR: NATURAL



PART NO	A	B	C	F	PACKAGE
CDS-04	3.0	4.0	3.0	1.55	1000
CDS-4H	3.0	4.0	1.4	1.55	500
CDS-8A	6.6	7.6	3.0	1.60	
CDS-12	10.9	11.9	3.0	1.55	



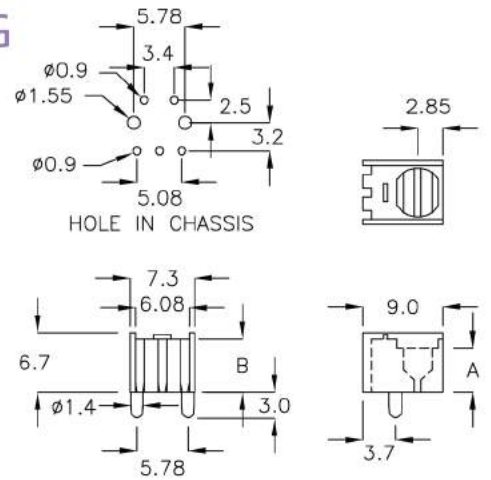
13-8-1



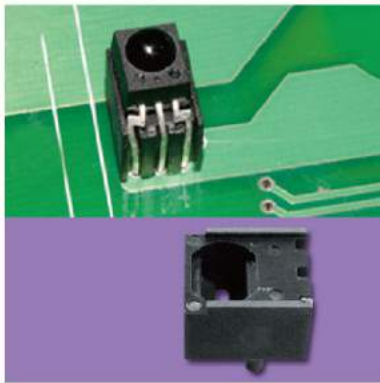
IR座 IR RECEIVER HOUSING

MATERIAL: NYLON 66(UL)
FLAME CLASS: 94V-2
COLOR: BLACK

PART NO	A	B	PACKAGE
CDS-6A	5.0	6.0	500



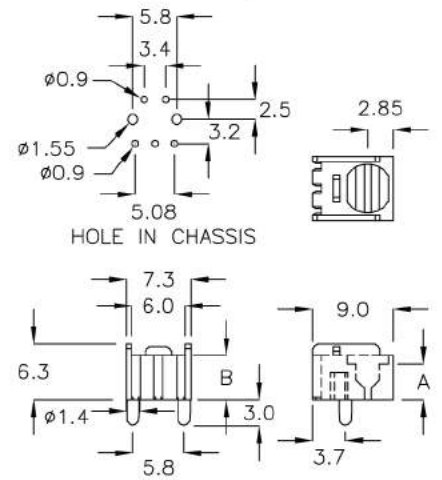
13-8-2



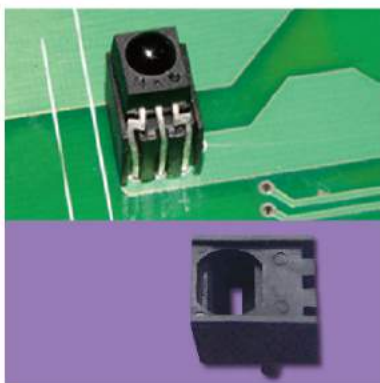
IR座 IR RECEIVER HOUSING

MATERIAL: NYLON 66(UL)
FLAME CLASS: 94V-2
COLOR: BLACK

PART NO	A	B	PACKAGE
CDS-4D	4.0	5.0	1000



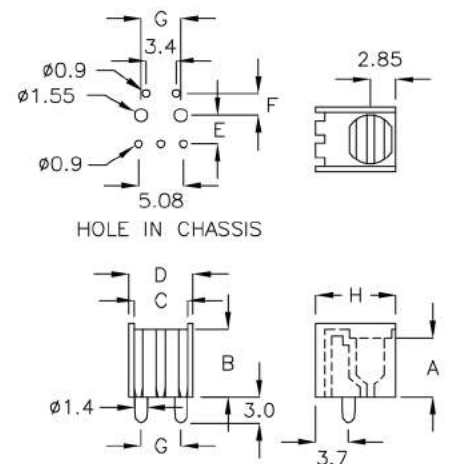
13-8-3



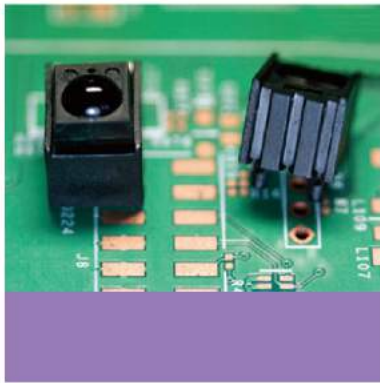
IR座 IR RECEIVER HOUSING

MATERIAL: NYLON 66(UL)
FLAME CLASS: 94V-2
COLOR: BLACK

PART NO	A	B	C	D	E	F	G	H	PACKAGE
CDS-03	2.0	3.0	7.7	8.9	3.2	4.5	5.78	11.5	500
CDS-6C	5.0	6.0	6.1	7.3	3.2	2.5	4.5	9.05	
CDS-6D	5.0	6.0	6.1	7.3	3.2	2.5	4.5	9.05	
CDS-8C	5.0	8.0	6.1	7.3	3.2	2.5	4.5	9.05	



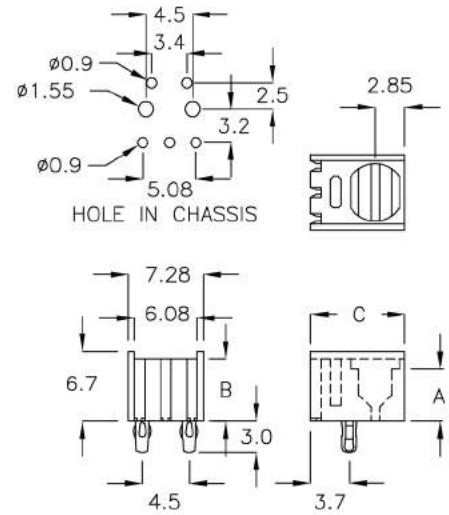
13-9-1



IR座 IR RECEIVER HOUSING

MATERIAL: NYLON 66(UL)
FLAME CLASS: 94V-2
COLOR: BLACK

PART NO	A	B	C	PACKAGE
CDS-6J	5.0	6.0	9.05	500



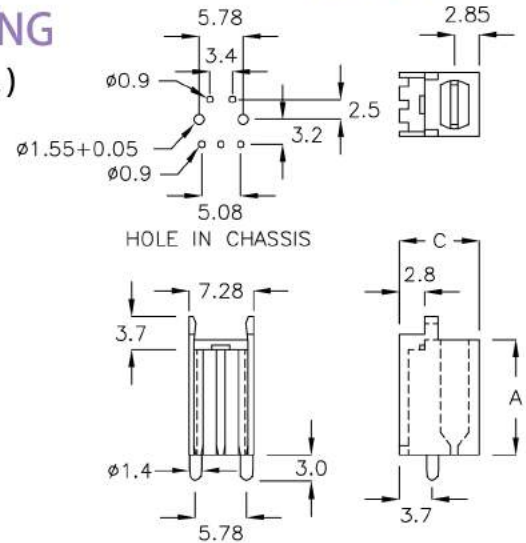
13-9-2



IR座 IR RECEIVER HOUSING

MATERIAL: NYLON 66(UL)
FLAME CLASS: 94V-2
COLOR: BLACK

PART NO	A	C	PACKAGE
CDS-13	13.0	9.05	500



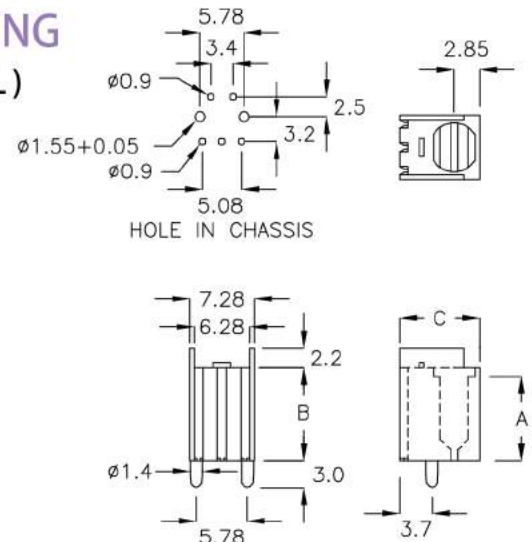
13-9-3



IR座 IR RECEIVER HOUSING

MATERIAL: NYLON 66(UL)
FLAME CLASS: 94V-2
COLOR: BLACK

PART NO	A	B	C	PACKAGE
CDS-10C	9.6	10.6	9.05	500



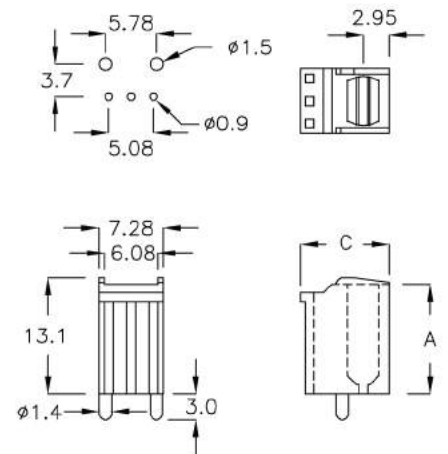
PINGOOD

13-10-1

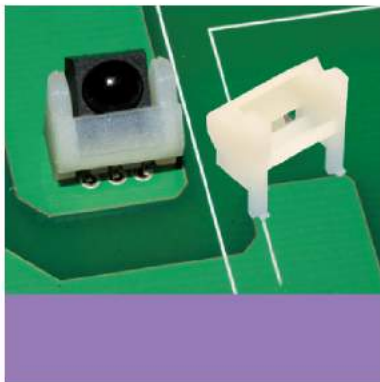


IR座 IR RECEIVER HOUSING
MATERIAL: NYLON 66(UL)
FLAME CLASS: 94V-2
COLOR: BLACK

PART NO	A	C	PACKAGE
CDS-11A	12.4	10.0	500

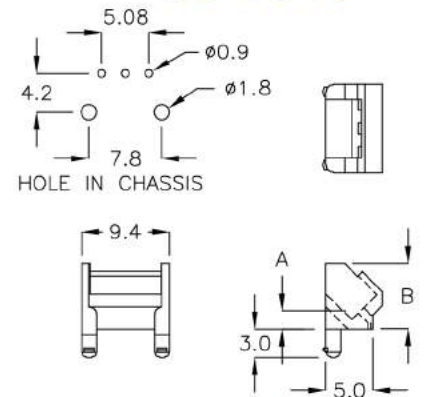


13-10-2

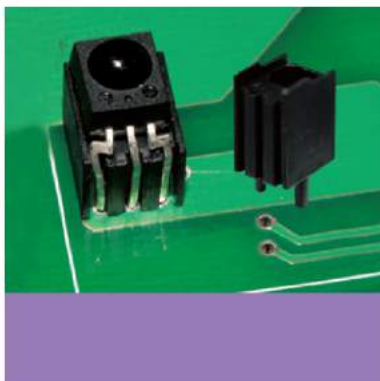


IR座 IR RECEIVER HOUSING
MATERIAL: NYLON 66(UL)
FLAME CLASS: 94V-2
COLOR: NATURAL

PART NO	A	B	PACKAGE
CDS-2C	2.0	7.0	1000
CDS-2F	5.0	10.0	

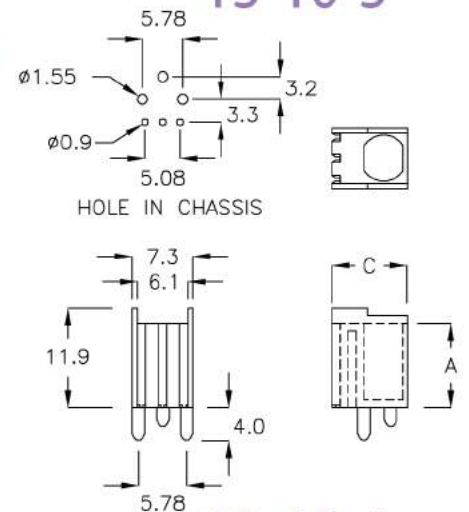


13-10-3



IR座 IR RECEIVER HOUSING
MATERIAL: NYLON 66(UL)
FLAME CLASS: 94V-2
COLOR: BLACK

PART NO	A	C	PACKAGE
CDS-10D	10.1	9.04	500

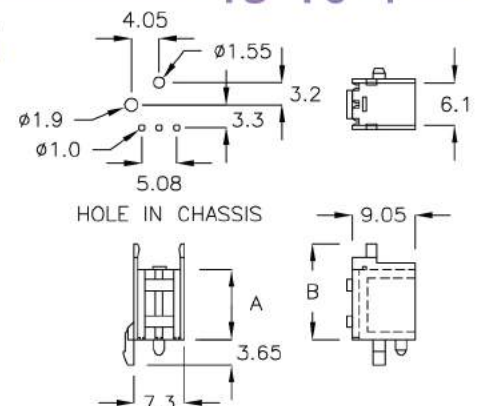


13-10-4

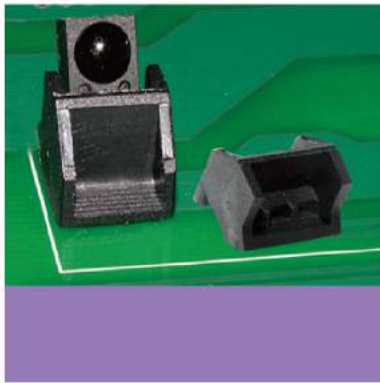


IR座 IR RECEIVER HOUSING
MATERIAL: NYLON 66(UL)
FLAME CLASS: 94V-2
COLOR: BLACK

PART NO	A	B	PACKAGE
CDS-6K	6.1	10.3	500
CDS-10F	10.1	14.3	
CDS-11K	11.6	15.8	

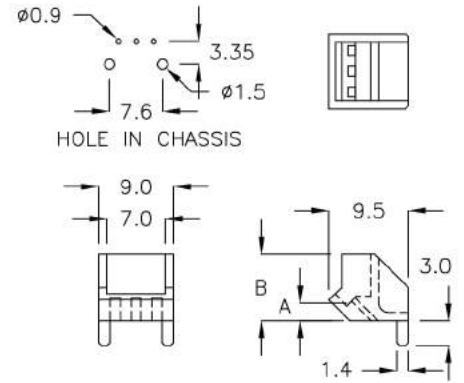


13-11-1



IR座 IR RECEIVER HOUSING

MATERIAL: NYLON 66(UL)
FLAME CLASS: 94V-2
COLOR: BLACK



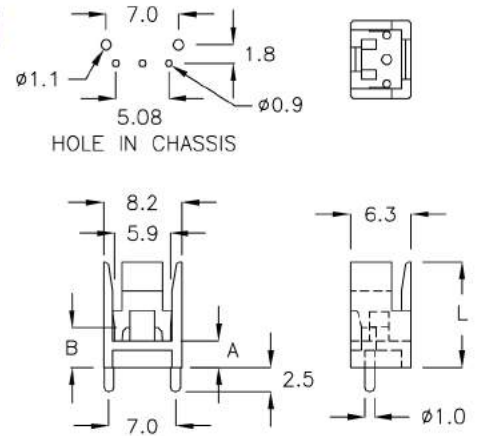
PART NO	A	B	PACKAGE
CDS-2H	2.6	8.0	1000

13-11-2



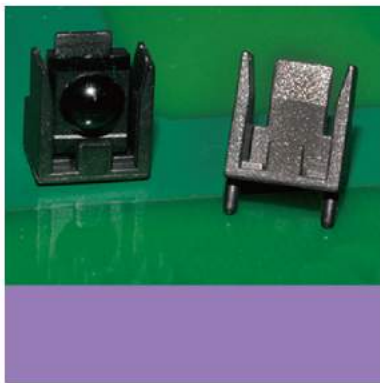
IR座 IR RECEIVER HOUSING

MATERIAL: NYLON 66(UL)
FLAME CLASS: 94V-2
COLOR: BLACK



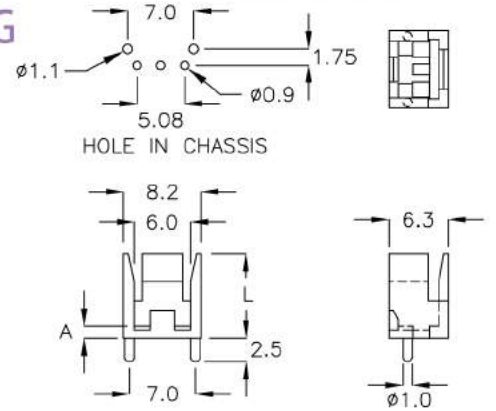
PART NO	A	B	L	PACKAGE
CDS-4C	2.85	4.15	11.1	1000
CDS-5DM	4.45	5.75	12.6	

13-11-3



IR座 IR RECEIVER HOUSING

MATERIAL: NYLON 66(UL)
FLAME CLASS: 94V-2
COLOR: BLACK



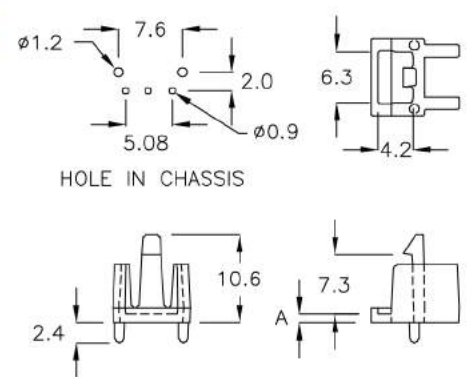
PART NO	A	L	PACKAGE
CDS-1J	1.3	8.9	1000
CDS-8DQ	8.3	15.9	500

13-11-4



IR座 IR RECEIVER HOUSING

MATERIAL: NYLON 66(UL)
FLAME CLASS: 94V-2
COLOR: BLACK



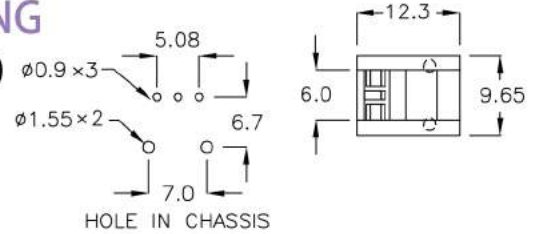
PART NO	A	PACKAGE
CDS-1F	1.0	2000

13-12-1

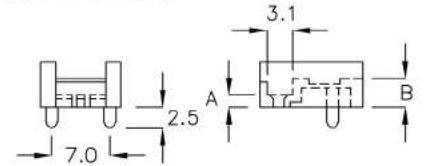


IR座 IR RECEIVER HOUSING

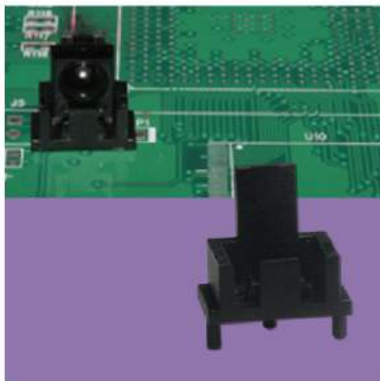
MATERIAL: NYLON 66(UL)
FLAME CLASS: 94V-2
COLOR: NATURAL



PART NO	A	B	PACKAGE
CDS-2J	1.5	3.5	500

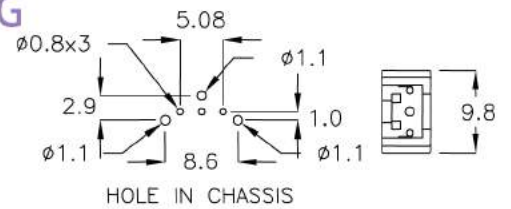


13-12-2

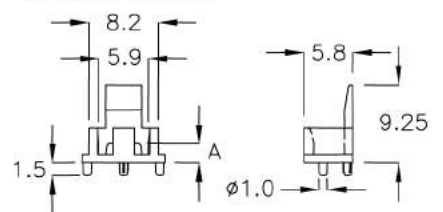


IR座 IR RECEIVER HOUSING

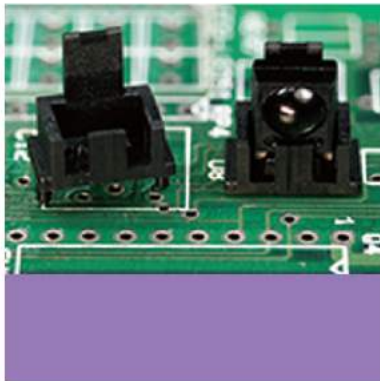
MATERIAL: NYLON 66(UL)
FLAME CLASS: 94V-2
COLOR: BLACK



PART NO	A	PACKAGE
CDS-2PS	2.3	1000

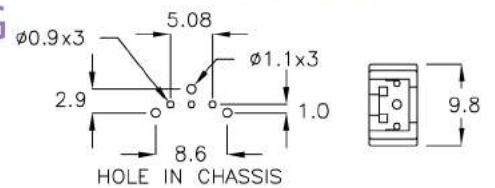


13-12-3

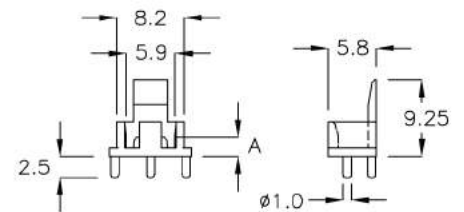


IR座 IR RECEIVER HOUSING

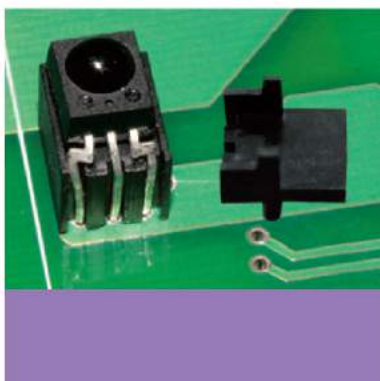
MATERIAL: NYLON 66(UL)
FLAME CLASS: 94V-2
COLOR: BLACK



PART NO	A	PACKAGE
CDS-2K	2.3	1000

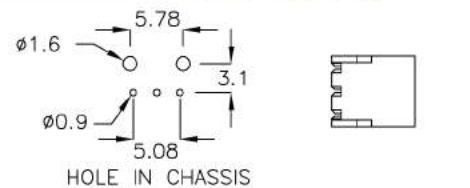


13-12-4

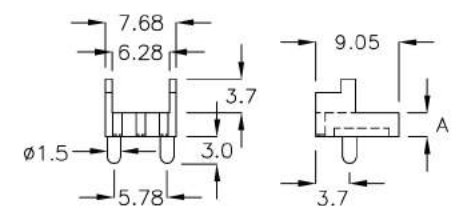


IR座 IR RECEIVER HOUSING

MATERIAL: NYLON 66(UL)
FLAME CLASS: 94V-2
COLOR: BLACK



PART NO	A	PACKAGE
CDS-2L	1.7	500



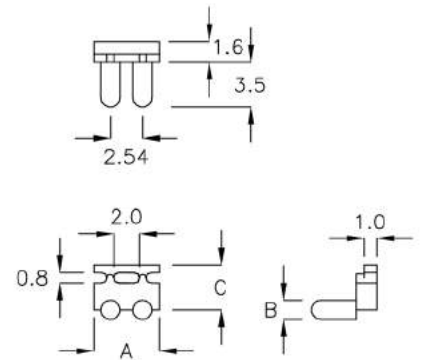
13-13-1



IR座 IR RECEIVER HOUSING

MATERIAL: NYLON 66(UL)
FLAME CLASS: 94V-2
COLOR: BLACK

PART NO	A	B	C	PACKAGE
CDS-4F	5.08	∅1.5	3.5	1000



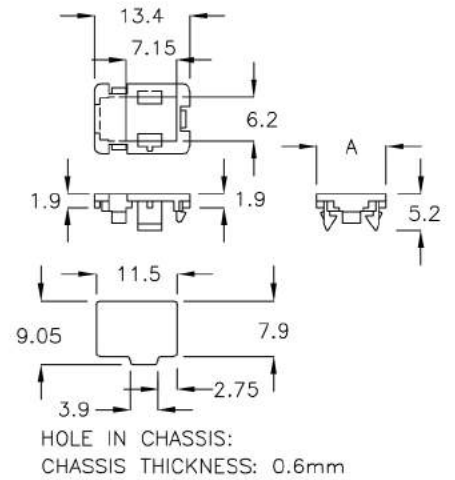
13-13-2



IR座 IR RECEIVER HOUSING

MATERIAL: NYLON 66(UL)
FLAME CLASS: 94V-2
COLOR: BLACK

PART NO	A	PACKAGE
CDS-1TR	9.8	1000

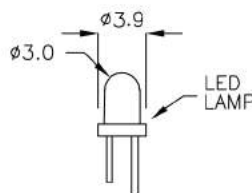


13-13-3

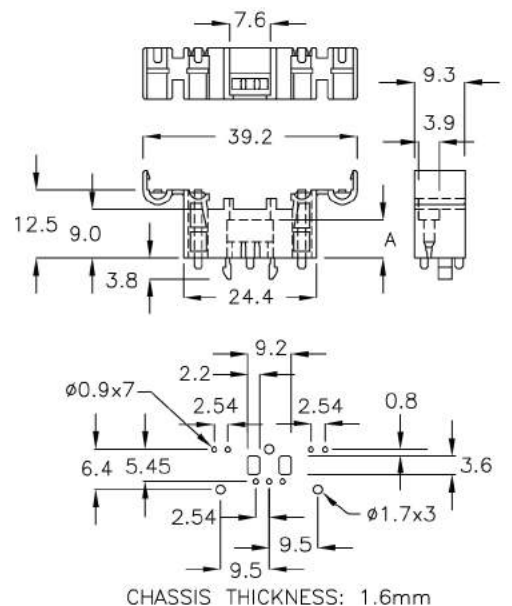


IR座 IR RECEIVER HOUSING

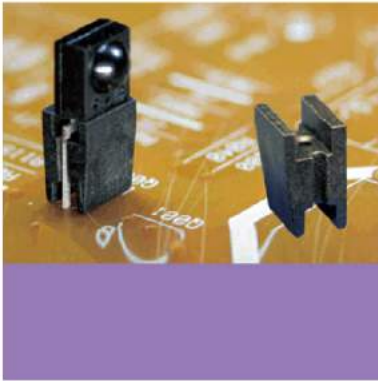
MATERIAL: NYLON 66(UL)
FLAME CLASS: 94V-2
COLOR: BLACK



PART NO	A	T CHASSIS THICKNESS	PACKAGE
CDY-7M	7.0	1.6	200

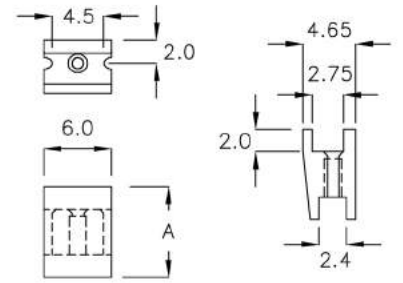


13-14-1



IR座 IR RECEIVER HOUSING

MATERIAL: NYLON 66(UL)
FLAME CLASS: 94V-2
COLOR: BLACK



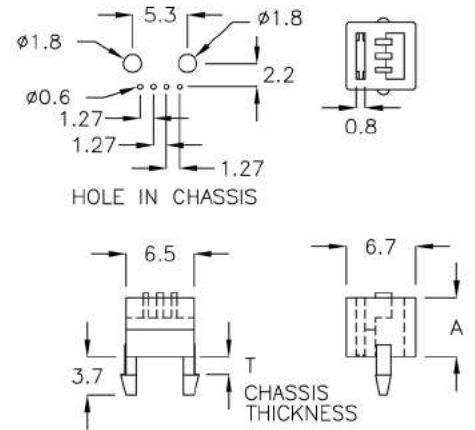
PART NO	A	PACKAGE
CDA-08	8.0	1000

13-14-2



固定座 HOLDER

MATERIAL: NYLON 66(UL)
FLAME CLASS: 94V-2
COLOR: BLACK



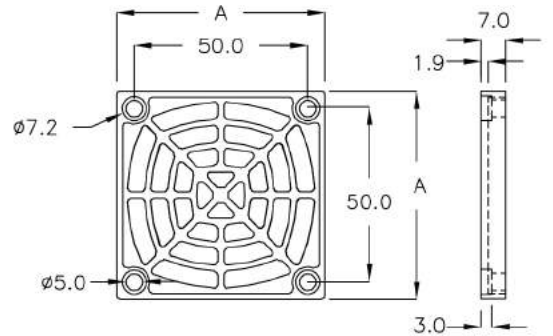
PART NO	A	T CHASSIS THICKNESS	PACKAGE
CDT-4A	5.65	1.6	1000

13-14-3



風扇罩 FAN COVER

MATERIAL: ABS
FLAME CLASS: 94V-0
COLOR: BLACK



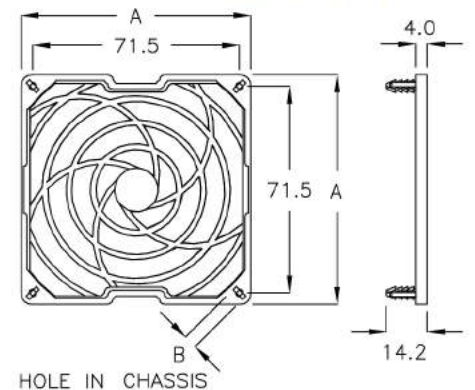
PART NO	A	PACKAGE
NBB-03	60.0	100

13-14-4



風扇罩 FAN COVER

MATERIAL: NYLON 66(UL)
FLAME CLASS: 94V-2
COLOR: BLACK



PART NO	A	B	PACKAGE
NBB-04	79.5	4.3	50

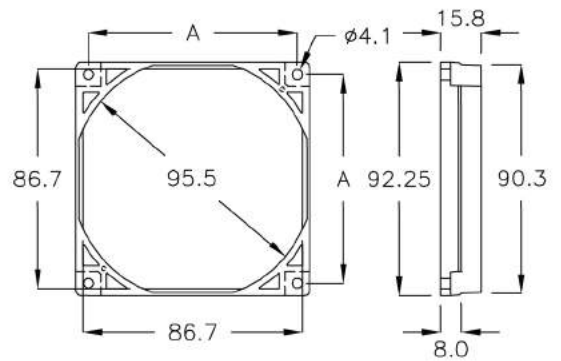
13-15-1



風扇罩 FAN COVER

MATERIAL: ABS+PC(UL)
FLAME CLASS: 94V-0
COLOR: BLACK

PART NO	A	PACKAGE
NBC-01	82.5	20



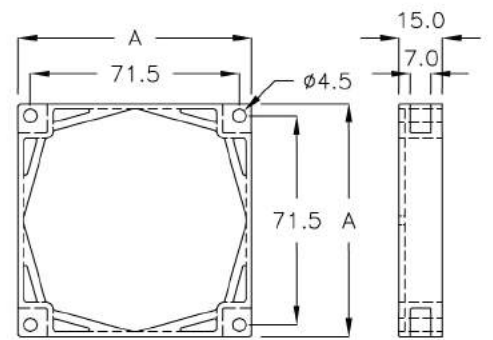
13-15-2



風扇罩 FAN COVER

MATERIAL: PBT(UL)
FLAME CLASS: 94V-0
COLOR: BLACK

PART NO	A	PACKAGE
NBC-80	80.0	20



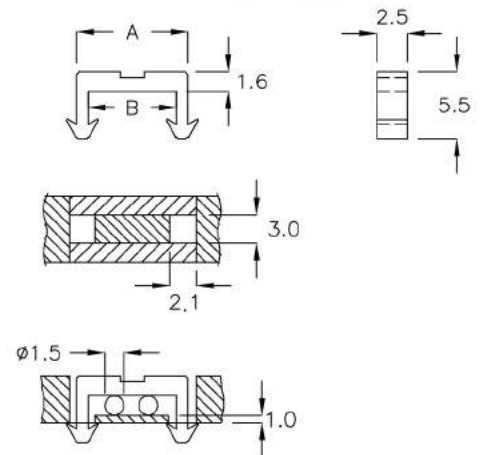
13-15-3



電線固定座 WIRE MOUNT

MATERIAL: NYLON 66(UL)
FLAME CLASS: 94V-2
COLOR: BLACK

PART NO	A	B	PACKAGE
FBA-7A	9.1	7.25	1000



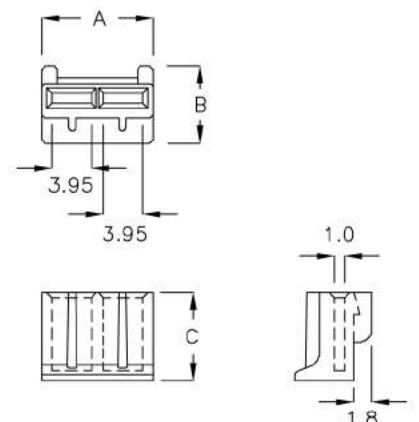
13-15-4



風扇電源座 MOUNT

MATERIAL: NYLON 66(UL)
FLAME CLASS: 94V-2
COLOR: NATURAL

PART NO	A	B	C	PACKAGE
HFC-01	11.1	7.7	8.8	500



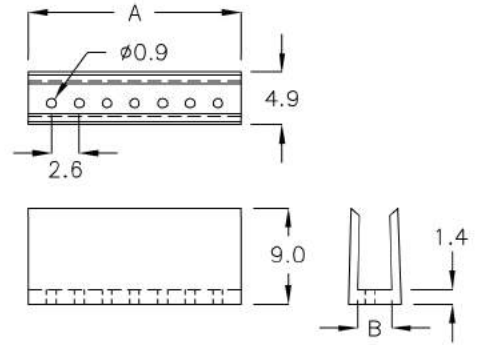
13-16-1



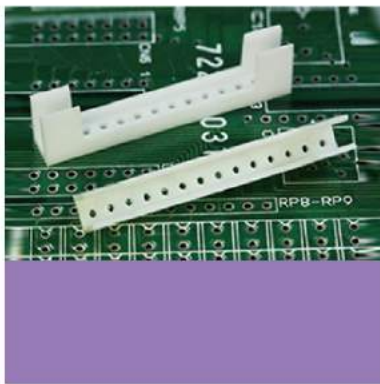
固定座 HOUSING

MATERIAL: NYLON 66(UL)
FLAME CLASS: 94V-2
COLOR: NATURAL

PART NO	A	B	PACKAGE
PH-5	20.2	3.2	500



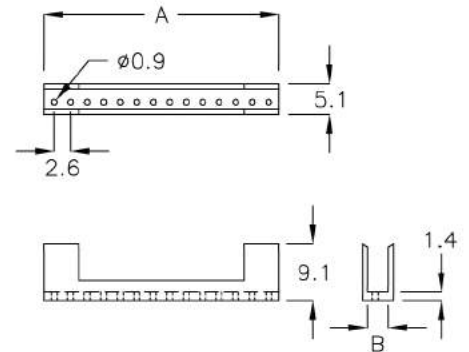
13-16-2



固定座 HOUSING

MATERIAL: NYLON 66(UL)
FLAME CLASS: 94V-2
COLOR: NATURAL

PART NO	A	B	PACKAGE
PH-6	36.0	3.4	500



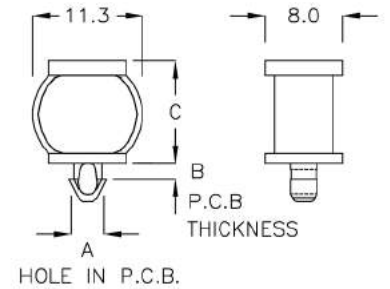
13-16-3



防震座 ANTI-SHOCK HOUSING

MATERIAL: NYLON 66(UL)
FLAME CLASS: 94V-2
COLOR: NATURAL

PART NO	A	B	C	PACKAGE
CQ-010	∅3.0	1.6	10.5	1000
CQ-008	∅3.0	1.6	8.0	
CQ-10NR	∅2.0	1.6	10.5	



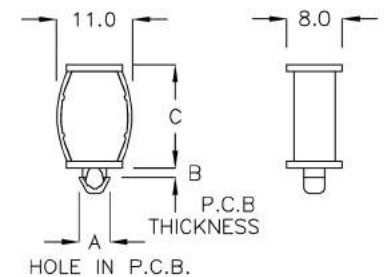
13-16-4



防震座 ANTI-SHOCK HOUSING

MATERIAL: NYLON 66(UL)
FLAME CLASS: 94V-2
COLOR: NATURAL

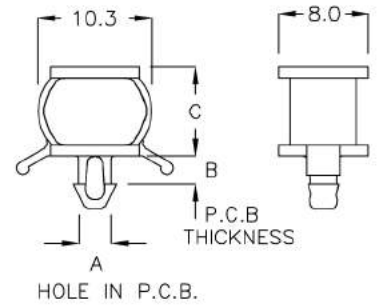
PART NO	A	B	C	PACKAGE
CQ-015	∅3.5	1.2	15.0	1000
CQ-15A	∅4.0	1.6	15.0	
CQ-15C	∅3.5	1.4	15.0	
CQ-15D	∅4.0	1.7	15.0	
CQ-017	∅3.5	1.2	17.0	





防震座 ANTI-SHOCK HOUSING

MATERIAL: NYLON 66(UL)
FLAME CLASS: 94V-2
COLOR: NATURAL

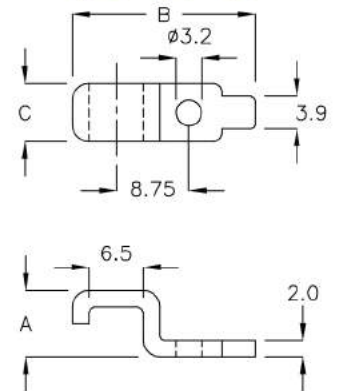


PART NO	A	B	C	PACKAGE
CQ-08A	ø3.0	1.1~1.6	8.05	1000



固定夾 CLIP

MATERIAL: POM(UL)
FLAME CLASS: 94-HB
COLOR: BLACK

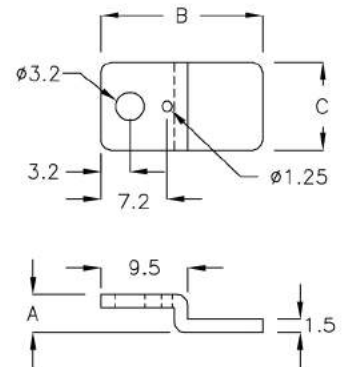


PART NO	A	B	C	PACKAGE
HP-6	8.0	22.0	7.0	1000

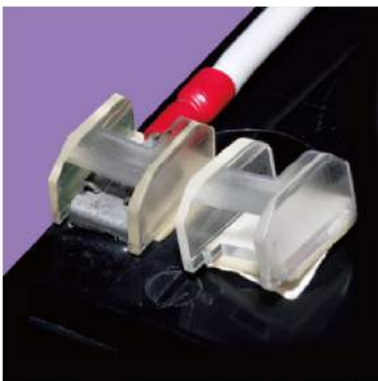


CCD座 CCD HOUSING

MATERIAL: NYLON 66(UL)
FLAME CLASS: 94V-2
COLOR: NATURAL

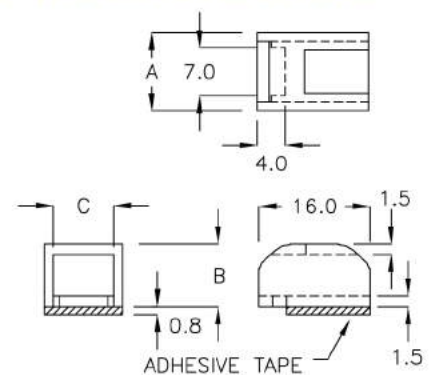


PART NO	A	B	C	PACKAGE
MDV-01	4.15	17.7	9.6	2000



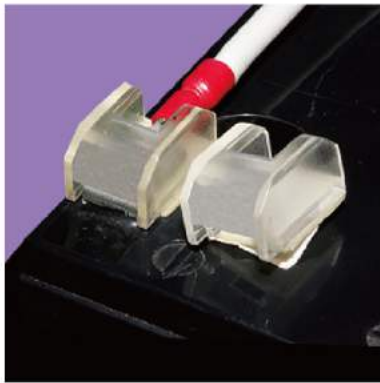
電池端子保護座 CONNECTOR PROTECT HOUSING

MATERIAL: PC(UL)
FLAME CLASS: 94V-2
COLOR: CLEAR
ADHESIVE TAPE: 3M



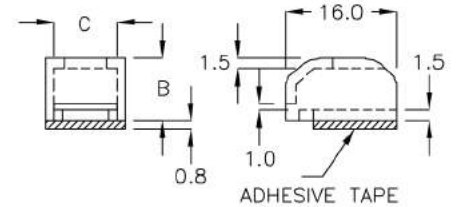
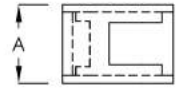
PART NO	A	B	C	PACKAGE
MD-16S	11.2	9.0	8.8	500
MD-017	13.5	10.8	10.5	

13-18-1



電池端子保護座 CONNECTOR PROTECT HOUSING

MATERIAL: PC(UL)
FLAME CLASS: 94V-2
COLOR: CLEAR
ADHESIVE TAPE: 3M



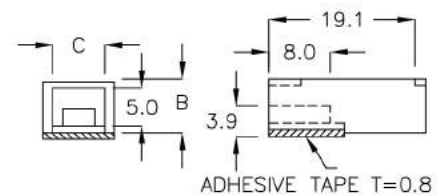
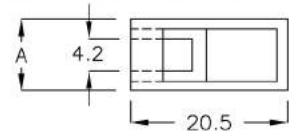
PART NO	A	B	C	PACKAGE
MD-16A	11.4	9.0	9.1	500

13-18-2



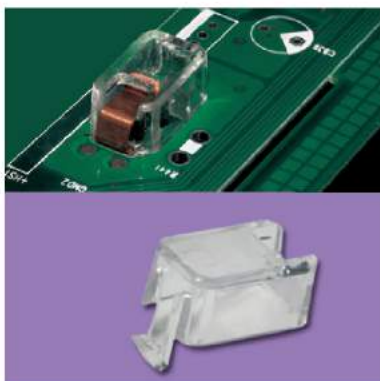
電池端子保護座 CONNECTOR PROTECT HOUSING

MATERIAL: PC(UL)
FLAME CLASS: 94V-2
COLOR: CLEAR
ADHESIVE TAPE: 3M



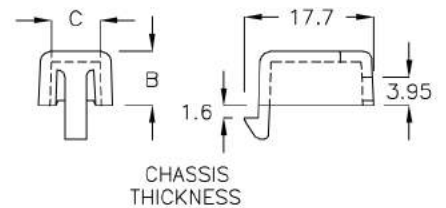
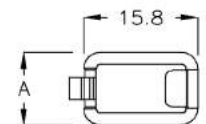
PART NO	A	B	C	PACKAGE
MD-020	9.3	7.0	6.9	500

13-18-3



保護蓋 HOLE PROTECTOR

MATERIAL: PC(UL)
FLAME CLASS: 94V-2
COLOR: CLEAR



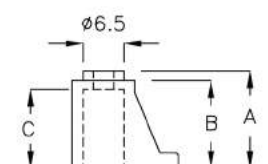
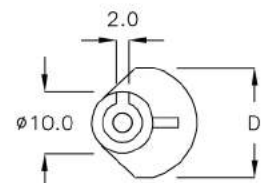
PART NO	A	B	C	PACKAGE
MVA-01	10.2	7.4	6.65	500

13-18-4



固定座 MOUNT

MATERIAL: ABS(UL)
FLAME CLASS: 94V-0
COLOR: NATURAL



PART NO	A	B	C	D	PACKAGE
MDJ-01	17.0	15.5	14.0	17.5	200
MDJ-02	12.6	11.1	9.6	17.2	500

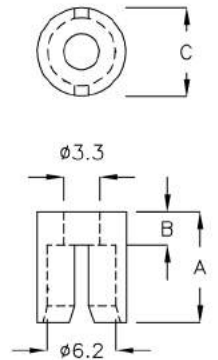
13-19-1



固定座 MOUNT

MATERIAL: NYLON 66(UL)
FLAME CLASS: 94V-2
COLOR: NATURAL

PART NO	A	B	C	PACKAGE
MDA-01	10.0	3.0	ø8.0	1000
MDA-02	10.0	1.6	ø8.0	



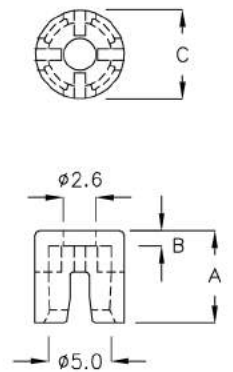
13-19-2



固定座 MOUNT

MATERIAL: NYLON 66(UL)
FLAME CLASS: 94V-2
COLOR: NATURAL

PART NO	A	B	C	PACKAGE
MDA-7BC	7.2	1.2	ø7.0	1000



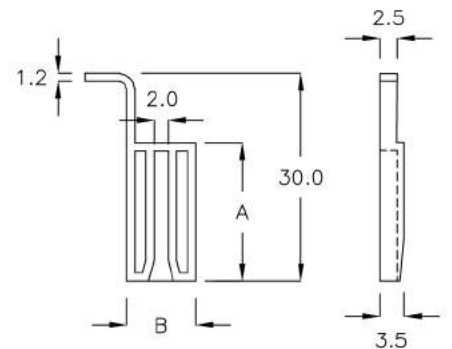
13-19-3



固定座 MOUNT

MATERIAL: NYLON 66(UL)
FLAME CLASS: 94V-2
COLOR: NATURAL

PART NO	A	B	PACKAGE
MDB-01	20.0	10.0	1000



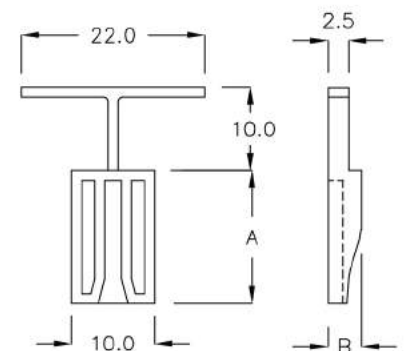
13-19-4



固定座 MOUNT

MATERIAL: NYLON 66(UL)
FLAME CLASS: 94V-2
COLOR: NATURAL

PART NO	A	B	PACKAGE
MDB-02	20.0	4.0	500
MDB-04	16.0	4.0	
MDB-05	15.0	3.2	1000



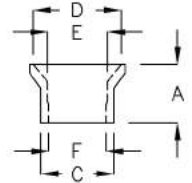
13-20-1



固定座 MOUNT

MATERIAL: NYLON 66(UL)
FLAME CLASS: 94V-2
COLOR: BLACK

PART NO	A	B	C	D	E	F	PACKAGE
UW-1	7.0	∅11.5	∅8.8	∅10.5	∅7.2	∅6.8	1000
UW-1K	6.6	∅11.0	∅7.5	∅10.0	∅5.45	∅5.05	
UW-1Y	6.6	∅8.8	∅7.55	∅7.8	∅5.45	∅5.05	2000



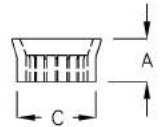
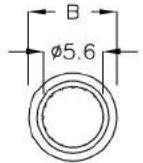
13-20-2



固定座 MOUNT

MATERIAL: NYLON 66(UL)
FLAME CLASS: 94V-2
COLOR: BLACK

PART NO	A	B	C	PACKAGE
UW-6F	4.0	∅8.4	∅7.4	1000



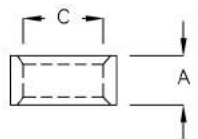
13-20-3



固定座 MOUNT

MATERIAL: NYLON 66(UL)
FLAME CLASS: 94V-2
COLOR: BLACK

PART NO	A	B	C	PACKAGE
UW-1S	4.2	∅9.1	∅6.85	1000
UW-01C	6.35	∅5.8	∅4.8	
UW-01M	4.3	∅9.2	∅6.7	
UW-01J	6.7	∅11.2	∅7.2	2000
UW-4TM	4.35	∅6.2	∅5.0	
UW-8MK	8.0	∅7.0	∅5.4	1000



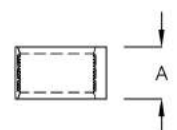
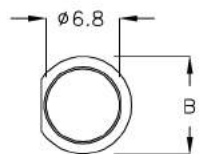
13-20-4



固定座 MOUNT

MATERIAL: NYLON 66(UL)
FLAME CLASS: 94V-2
COLOR: BLACK

PART NO	A	B	PACKAGE
UW-01A	4.8	∅9.1	1000



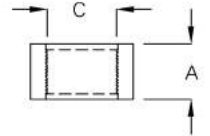
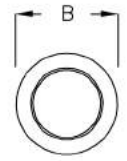
13-21-1



固定座 MOUNT

MATERIAL: NYLON 66(UL)
FLAME CLASS: 94V-2
COLOR: BLACK

PART NO	A	φB	φC	PACKAGE
UW-01D	3.0	6.1	4.5	1000
UW-02A	4.2	9.2	7.1	
UW-04A	5.0	9.2	6.4	
UW-08A	8.2	9.0	7.0	
UW-8CD	8.2	9.0	6.8	



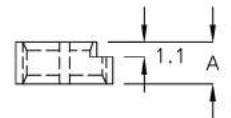
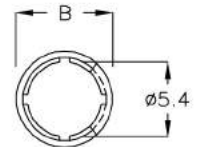
13-21-2



固定座 MOUNT

MATERIAL: NYLON 66(UL)
FLAME CLASS: 94V-2
COLOR: BLACK

PART NO	A	B	PACKAGE
UW-01G	3.0	φ7.0	1000



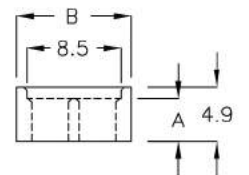
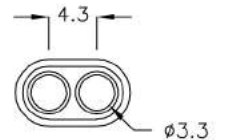
13-21-3



固定座 MOUNT

MATERIAL: NYLON 66(UL)
FLAME CLASS: 94V-2
COLOR: BLACK

PART NO	A	B	PACKAGE
MTH-05	3.9	10.3	1000



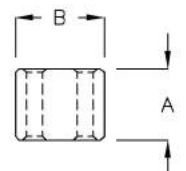
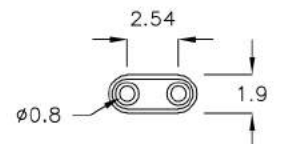
13-21-4



固定座 MOUNT

MATERIAL: NYLON 66(UL)
FLAME CLASS: 94V-2
COLOR: BLACK

PART NO	A	B	PACKAGE
MTN-3H	4.15	4.45	2000



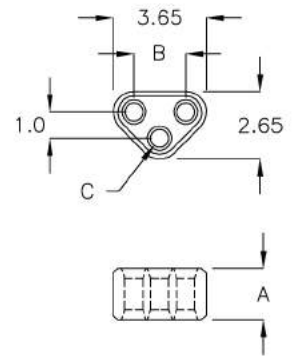
13-22-1



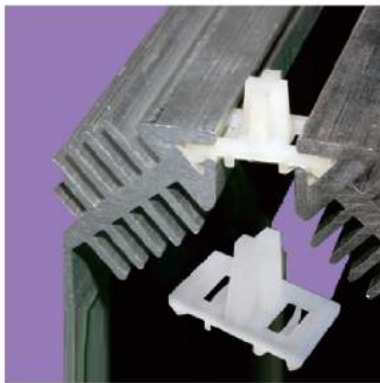
固定座 MOUNT

MATERIAL: NYLON 66(UL)
FLAME CLASS: 94V-2
COLOR: NATURAL

PART NO	A	B	C	PACKAGE
MTJ-02	2.0	2.0	∅0.8	2000
MTJ-3A	1.55	2.54	∅0.8	
MTJ-3HD	3.5	2.0	∅0.7	



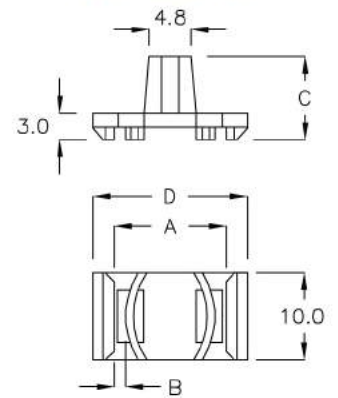
13-22-2



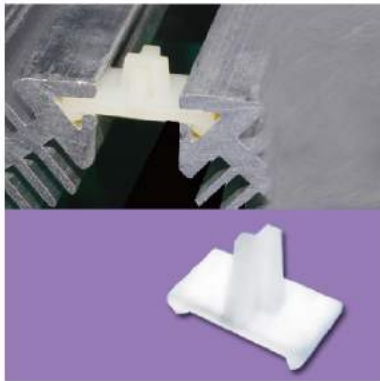
固定座 MOUNT

MATERIAL: NYLON 66(UL)
FLAME CLASS: 94V-2
COLOR: NATURAL

PART NO	A	B	C	D	PACKAGE
MDK-01	12.8	1.15	9.5	17.6	500
MDK-03	12.8	1.3	11.0	17.6	
MDK-04	13.0	1.9	10.5	17.6	
MDK-05	10.8	1.5	10.5	15.6	



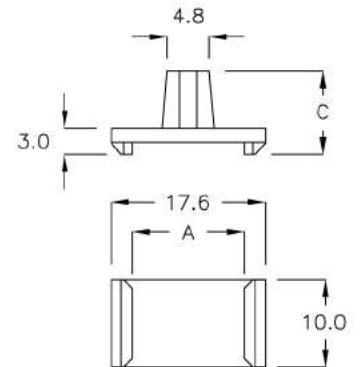
13-22-3



固定座 MOUNT

MATERIAL: NYLON 66(UL)
FLAME CLASS: 94V-2
COLOR: NATURAL

PART NO	A	C	PACKAGE
MDK-02	12.8	6.9	1000



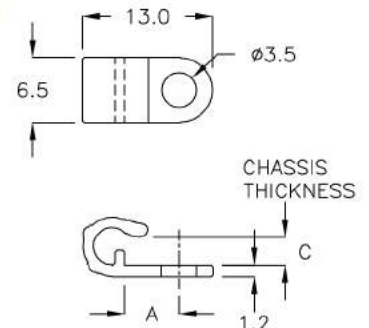
13-22-4



散熱片固定座 HEAT SINK MOUNT

MATERIAL: NYLON 66(UL)
FLAME CLASS: 94V-2
COLOR: NATURAL

PART NO	A	C CHASSIS THICKNESS	PACKAGE
DAP-1A	5.4	3.0	2000



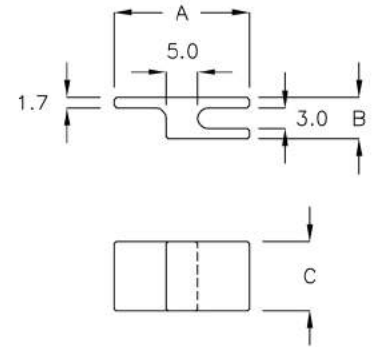
13-23-1



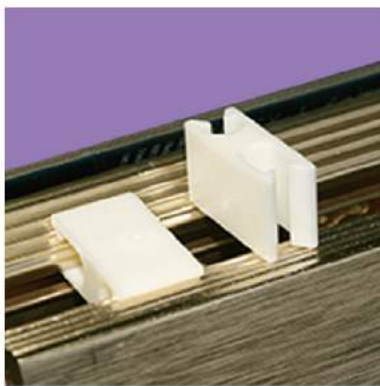
固定座 MOUNT

MATERIAL: NYLON 66(UL)
FLAME CLASS: 94V-2
COLOR: NATURAL

PART NO	A	B	C	PACKAGE
DAB-01	19.5	6.0	10.0	500



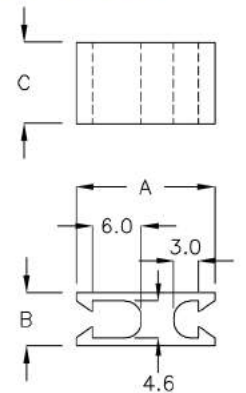
13-23-2



固定座 MOUNT

MATERIAL: NYLON 66(UL)
FLAME CLASS: 94V-2
COLOR: NATURAL

PART NO	A	B	C	PACKAGE
DAB-02	17.0	6.6	10.0	500



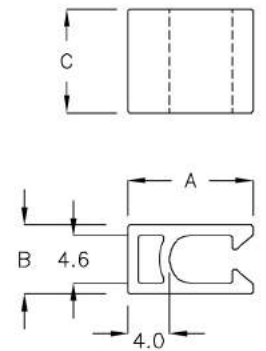
13-23-3



固定座 MOUNT

MATERIAL: NYLON 66(UL)
FLAME CLASS: 94V-2
COLOR: NATURAL

PART NO	A	B	C	PACKAGE
DAB-3A	12.0	6.6	10.0	500



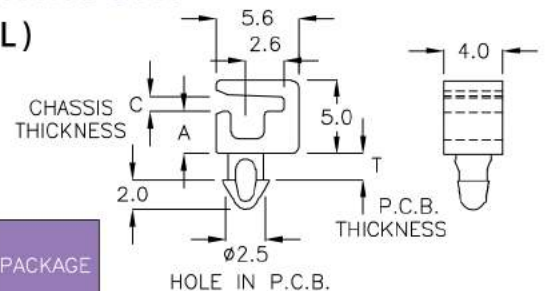
13-23-4



散熱片固定座 HEAT SINK MOUNT

MATERIAL: NYLON 66(UL)
FLAME CLASS: 94V-2
COLOR: NATURAL

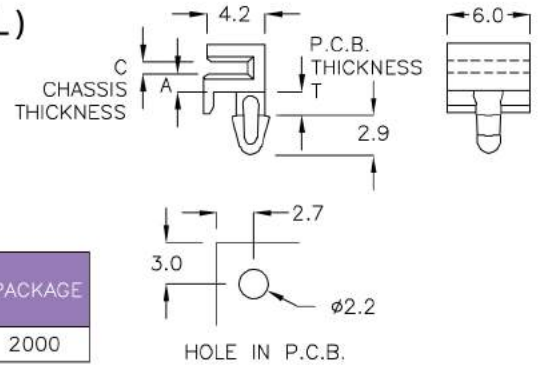
PART NO	A	C CHASSIS THICKNESS	T P.C.B THICKNESS	PACKAGE
UBA-3A	2.9	0.8	1.6	2000





固定座 MOUNT

MATERIAL: NYLON 66(UL)
FLAME CLASS: 94V-2
COLOR: BLACK

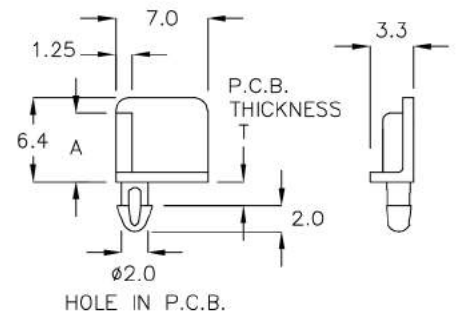


PART NO	A	C CHASSIS THICKNESS	T P.C.B. THICKNESS	PACKAGE
MTQ-2A	1.3	0.8	1.6	2000



固定座 MOUNT

MATERIAL: NYLON 66(UL)
FLAME CLASS: 94V-2
COLOR: NATURAL

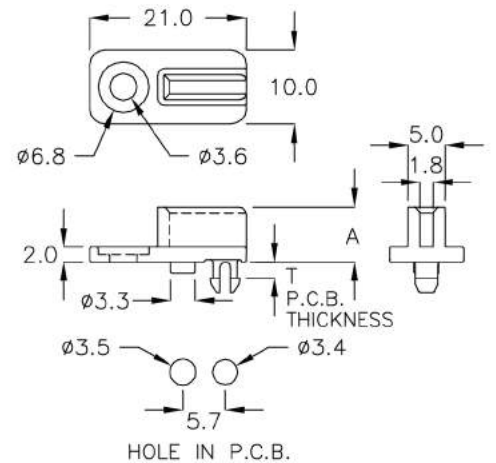


PART NO	A	T P.C.B. THICKNESS	PACKAGE
MRA-6C	5.2	1.6	2000



固定座 MOUNT

MATERIAL: NYLON 66(UL)
FLAME CLASS: 94V-2
COLOR: BLACK

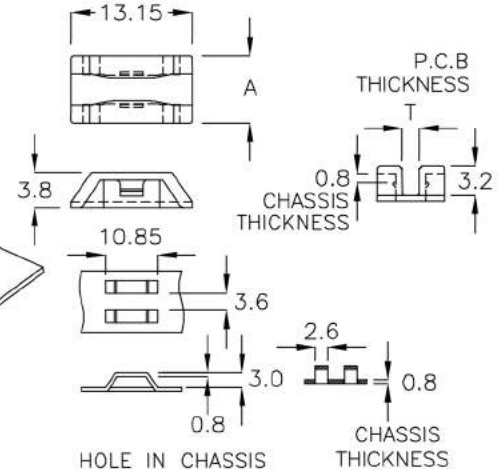
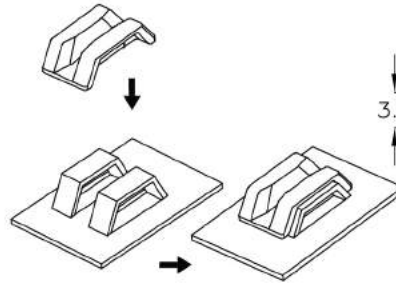


PART NO	A	T P.C.B. THICKNESS	PACKAGE
★ MFG-21HC	7.4	2.0	200



固定座 MOUNT

MATERIAL: NYLON 66(UL)
FLAME CLASS: 94V-2
COLOR: BLACK

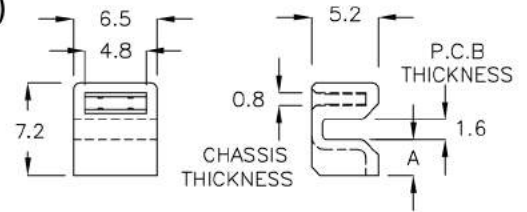


PART NO	A	T P.C.B THICKNESS	PACKAGE
MTB-13A	7.3	1.6	2000

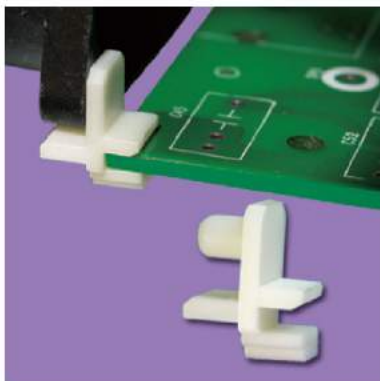


固定座 MOUNT

MATERIAL: NYLON 66(UL)
FLAME CLASS: 94V-2
COLOR: BLACK

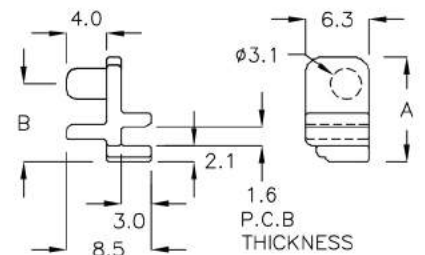


PART NO	A	PACKAGE
MDL-01	2.75	1000



固定座 MOUNT

MATERIAL: NYLON 66(UL)
FLAME CLASS: 94V-2
COLOR: NATURAL



PART NO	A	B	PACKAGE
MGM-11	11.0	8.3	500
MGM-11SK	11.0	8.8	

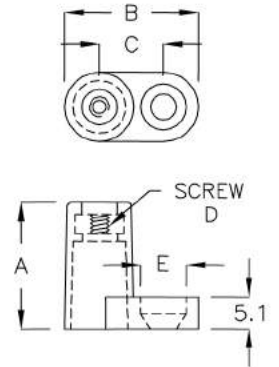


固定座 MOUNT

FLAME CLASS: 94V-0
COLOR: BLACK

MATERIAL: BRASS

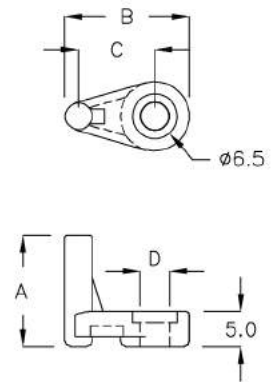
PART NO	MATERIAL	A	B	C	D	E	PACKAGE
LCM3-20	ABS	20.0	21.0	10.1	M3	φ7.1	500
LCM5-20	PBT	20.0	26.0	12.5	M5	φ10.0	



固定座 MOUNT

MATERIAL: NYLON 66+30%GF(UL)
FLAME CLASS: 94V-0
COLOR: BLACK

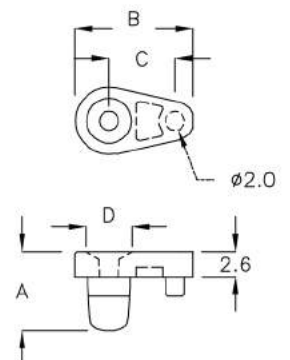
PART NO	A	B	C	D	PACKAGE
MGZ-18	16.0	18.0	11.0	φ4.2	500



固定座 MOUNT

MATERIAL: NYLON 66(UL)
FLAME CLASS: 94V-2
COLOR: NATURAL

PART NO	A	B	C	D	PACKAGE
MWZ-12A	8.15	12.1	6.8	φ4.7	500



PINGOOD

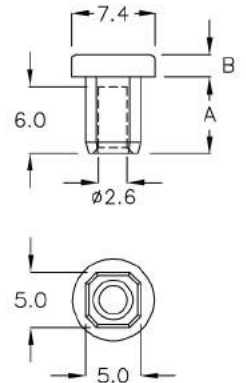
13-27-1



固定座 MOUNT

MATERIAL: NYLON 66(UL)
FLAME CLASS: 94V-2
COLOR: BLACK

PART NO	A	B	PACKAGE
MMW-7	6.9	2.0	500



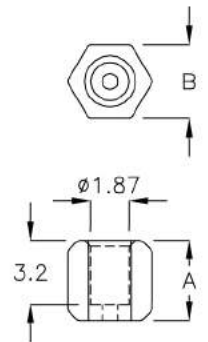
13-27-2



固定座 MOUNT

MATERIAL: NYLON 66(UL)
FLAME CLASS: 94V-2
COLOR: BLACK

PART NO	A	B	PACKAGE
MGL-04	4.0	3.8	1000



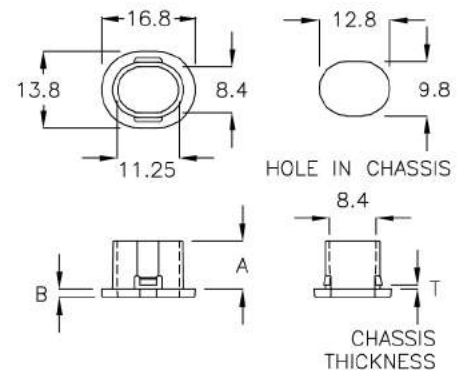
13-27-3



塞環 HOLE PLUG

MATERIAL: NYLON 66(UL)
FLAME CLASS: 94V-2
COLOR: NATURAL

PART NO	A	B	T CHASSIS THICKNESS	PACKAGE
MGF-01	8.75	1.5	0.7	500



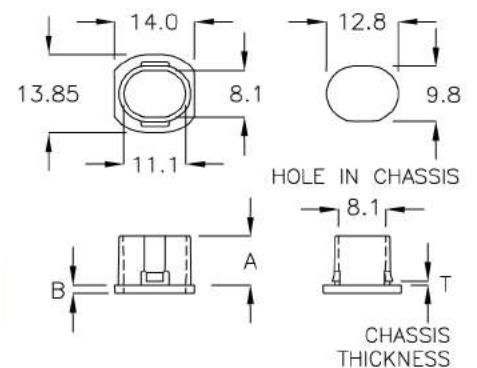
13-27-4



塞環 HOLE PLUG

MATERIAL: NYLON 66(UL)
FLAME CLASS: 94V-2
COLOR: NATURAL

PART NO	A	B	T CHASSIS THICKNESS	PACKAGE
MGF-14	7.25	1.5	0.6	500



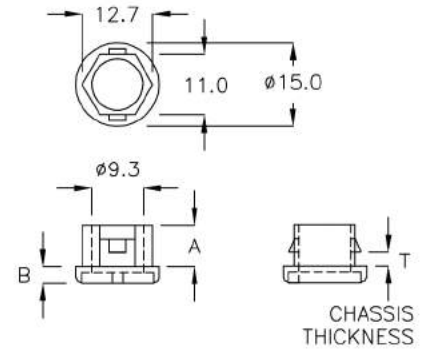
13-28-1



固定座 MOUNT

MATERIAL: ABS
FLAME CLASS: 94V-0
COLOR: NATURAL

PART NO	A	B	T CHASSIS THICKNESS	PACKAGE
PED-01	7.5	3.0	2.2	1000



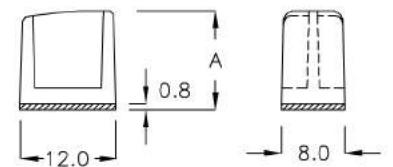
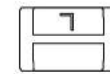
13-28-2



固定座 MOUNT

MATERIAL: NYLON 66(UL)
FLAME CLASS: 94V-2
COLOR: NATURAL
ADHESIVE TAPE: 3M

PART NO	A	PACKAGE
MML-11A	12.4	500



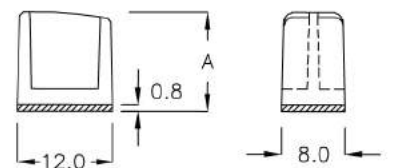
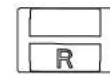
13-28-3



固定座 MOUNT

MATERIAL: NYLON 66(UL)
FLAME CLASS: 94V-2
COLOR: NATURAL
ADHESIVE TAPE: 3M

PART NO	A	PACKAGE
MMR-11A	12.4	500



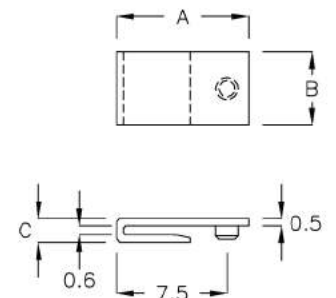
13-28-4

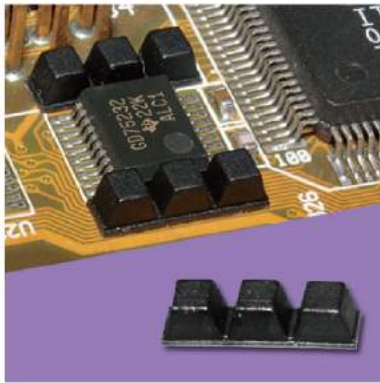


固定座 MOUNT

MATERIAL: NYLON 66(UL)
FLAME CLASS: 94V-2
COLOR: BLACK

PART NO	A	B	C	PACKAGE
MWC-05	9.0	5.0	1.6	1000

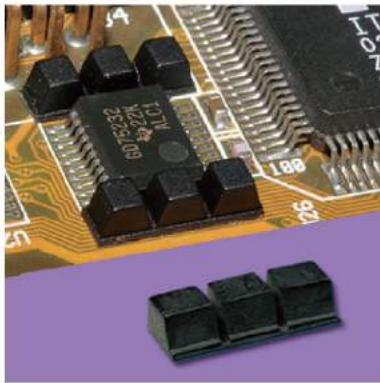
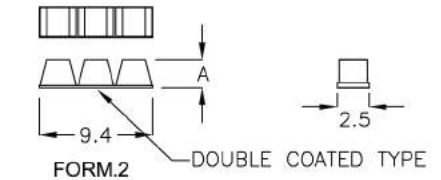
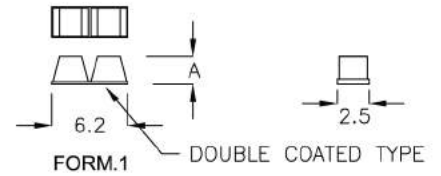




支撐柱 CHIP SUPPORT

MATERIAL: NYLON 66(UL)
 FLAME CLASS: 94V-2
 COLOR: BLACK
 ADHESIVE TAPE: DEXERIALS
 or EQUIVALENT

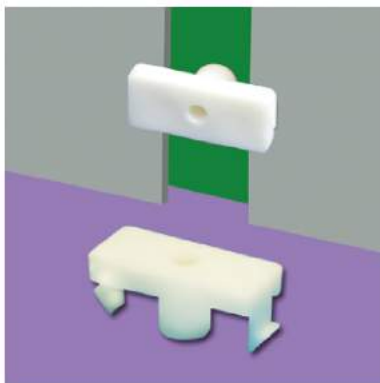
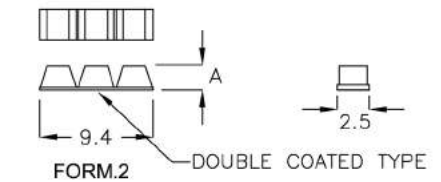
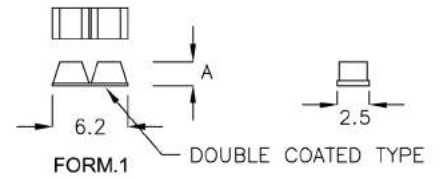
PART NO	A	FORM	PACKAGE
DPM-02T	2.5	1	5000
DPM-3AT	2.5	2	



支撐柱 CHIP SUPPORT

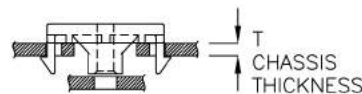
MATERIAL: NYLON 66(UL)
 FLAME CLASS: 94V-2
 COLOR: BLACK
 ADHESIVE TAPE: DEXERIALS
 or EQUIVALENT

PART NO	A	FORM	PACKAGE
DPS-2CK	2.2	1	5000
DPS-3FQ	2.2	2	

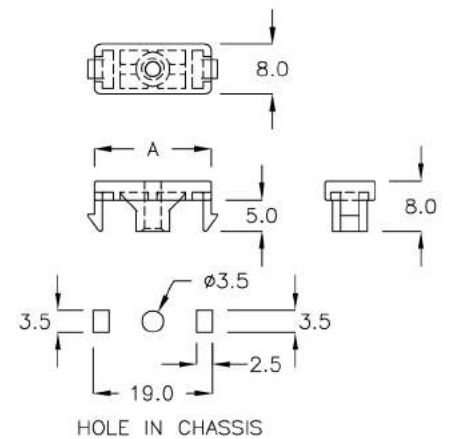


固定座 MOUNT

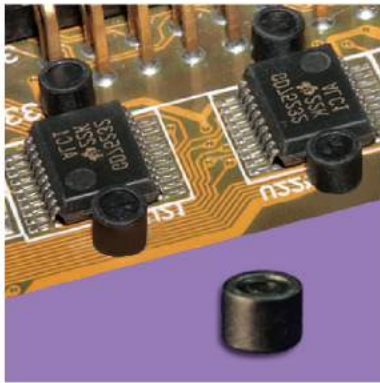
MATERIAL: NYLON 66(UL)
 FLAME CLASS: 94V-2
 COLOR: NATURAL
 SCREW: M3 TAPPING SCREW



PART NO	A	T CHASSIS THICKNESS	PACKAGE
MGK-18F	18.7	2.0	500



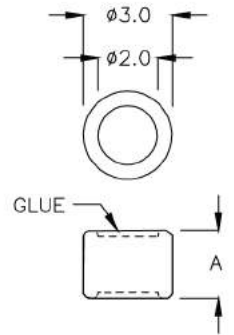
13-30-1



P.C.B 板支撐柱 P.C.B SUPPORT

MATERIAL: NYLON 46(UL)
FLAME CLASS: 94V-0
COLOR: BLACK

PART NO	A	PACKAGE
DPX-02	2.3	2000



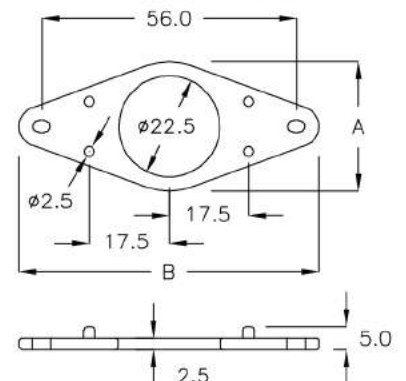
13-30-2



喇叭座 SPEAKER HOUSING

MATERIAL: POM
COLOR: NATURAL

PART NO	A	B	PACKAGE
SP-2866	28.5	66.0	200



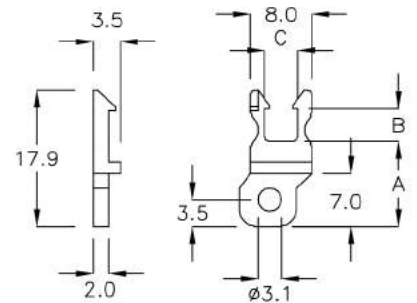
13-30-3



電線固定扣 CABLE CLAMP

MATERIAL: NYLON 66(UL)
FLAME CLASS: 94V-2
COLOR: NATURAL

PART NO	A	B	C	PACKAGE
LQC-02	11.2	4.2	4.4	500



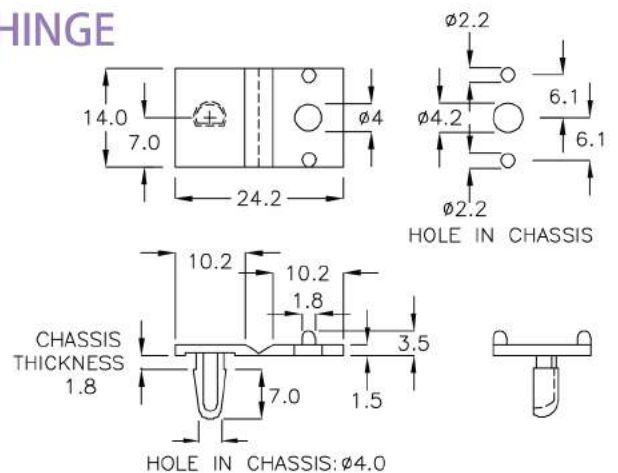
13-30-4



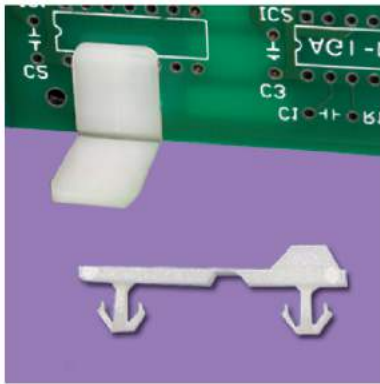
P.C.板固定扣 P.C.B. HINGE

MATERIAL: PP
COLOR: NATURAL

PART NO	A	PACKAGE
BH-5	24.2	1000



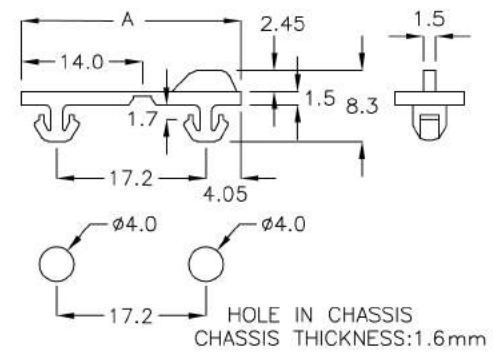
13-31-1



P.C.板固定扣 P.C.B. HINGE

MATERIAL: NYLON 66(UL)
FLAME CLASS: 94V-2
COLOR: NATURAL

PART NO	A	PACKAGE
BH-6	25.3	500



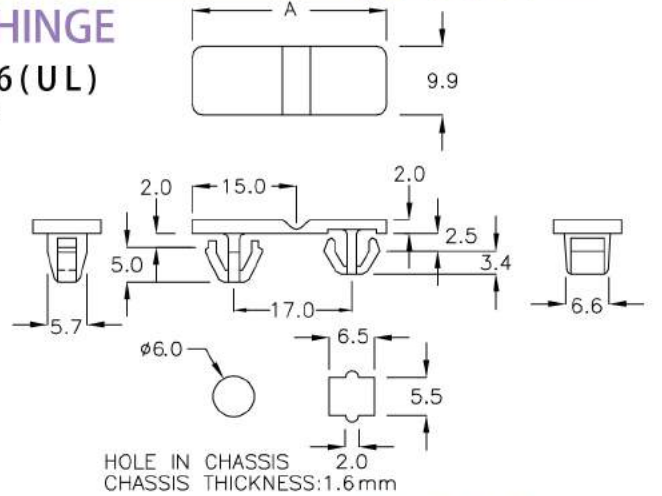
13-31-2



P.C.板固定扣 P.C.B. HINGE

MATERIAL: NYLON 66(UL)
FLAME CLASS: 94V-2
COLOR: NATURAL

PART NO	A	PACKAGE
BH-7	28.0	500



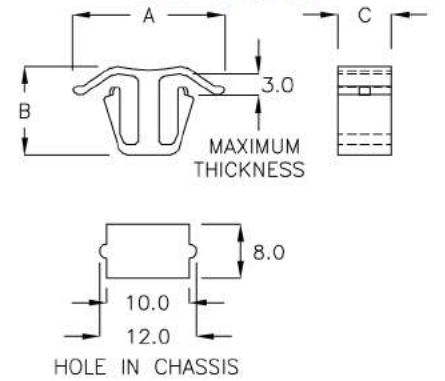
13-31-3



固定扣 CANOE CLIP

MATERIAL: PC(UL)
FLAME CLASS: 94V-2
COLOR: BLACK

PART NO	A	B	C	PACKAGE
DCQ-01	21.9	12.8	7.8	500



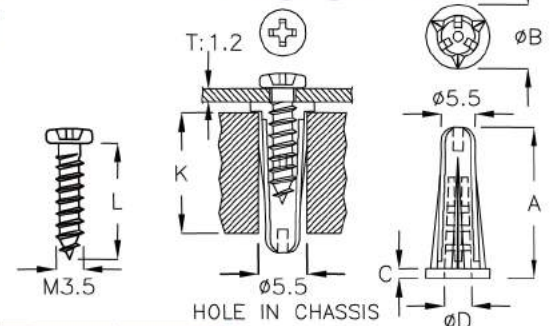
13-31-4



螺絲固定座 WALL INSERT

MATERIAL: NYLON 66(UL)
FLAME CLASS: 94V-2
COLOR: NATURAL

PART NO	A	B	C	D	K CHASSIS THICKNESS	L SCREW LENGTH	PACKAGE
MHW-01	18.7	7.9	1.2	3.4	>22.0	12.0	1000
MHW-02	22.0	8.2	1.0	4.6	>25.0	14.0	
MHW-03	22.3	8.0	1.0	3.8	>25.0	14.0	
MHW-04	33.0	8.0	1.0	3.5	>35.0	20.0	

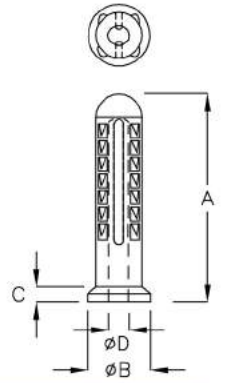


13-32-1



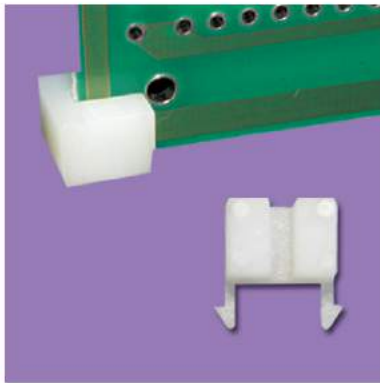
螺絲固定座 WALL INSERT

MATERIAL: PE
COLOR: NATURAL



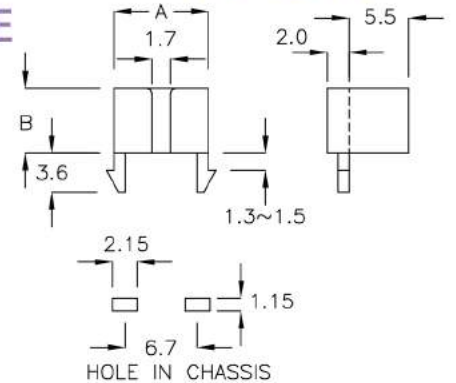
PART NO	A	B	C	D	HOLE IN CHASSIS	CHASSIS THICKNESS	TAPPING SCREW	SCREW LENGTH	PACKAGE
MHM-30	30.0	9.0	2.2	2.9	$\phi 6.7$	33.0	M4	12.0	500

13-32-2



固定座 EDGE CONNECT BASE

MATERIAL: NYLON 66(UL)
FLAME CLASS: 94V-2
COLOR: NATURAL



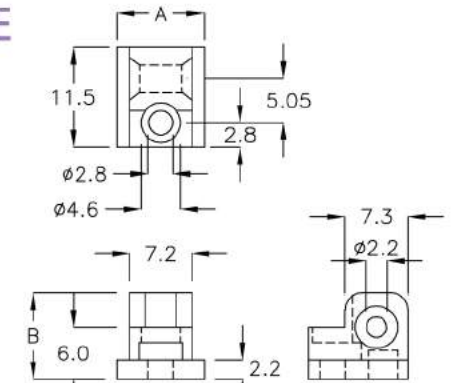
PART NO	A	B	PACKAGE
MH-4	8.7	6.0	1000

13-32-3



固定座 EDGE CONNECT BASE

MATERIAL: NYLON 66(UL)
FLAME CLASS: 94V-2
COLOR: NATURAL



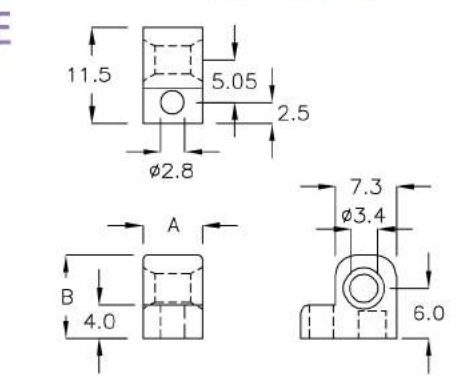
PART NO	A	B	PACKAGE
MH-5	10.0	10.0	1000

13-32-4



固定座 EDGE CONNECT BASE

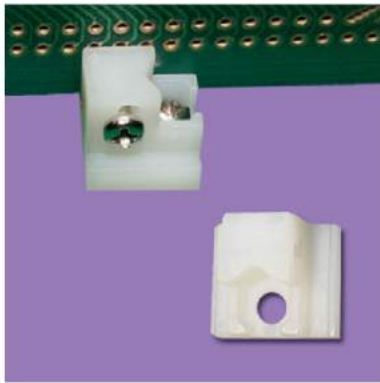
MATERIAL: NYLON 66(UL)
FLAME CLASS: 94V-2
COLOR: NATURAL



PART NO	A	B	PACKAGE
MH-05C	7.2	10.0	1000

PINGOOD

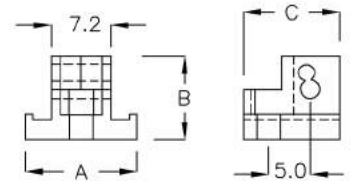
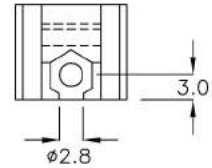
13-33-1



固定座 EDGE CONNECT BASE

MATERIAL: NYLON 66(UL)
FLAME CLASS: 94V-2
COLOR: NATURAL

PART NO	A	B	C	PACKAGE
MH-6	13.4	10.0	11.5	500



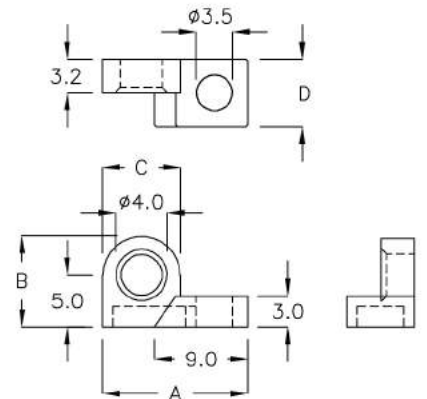
13-33-2



固定座 EDGE CONNECT BASE

MATERIAL: NYLON 66(UL)
FLAME CLASS: 94V-2
COLOR: NATURAL

PART NO	A	B	C	D	PACKAGE
MH-6A	14.0	8.8	7.5	6.5	500



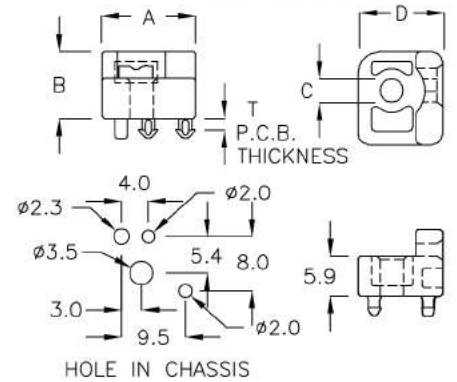
13-33-3



固定座 MOUNT

MATERIAL: NYLON 66(UL)
FLAME CLASS: 94V-0
COLOR: BLACK

PART NO	A	B	C	D	T P.C.B. THICKNESS	PACKAGE
MH-13AK	13.8	9.9	3.5	12.5	1.6	500



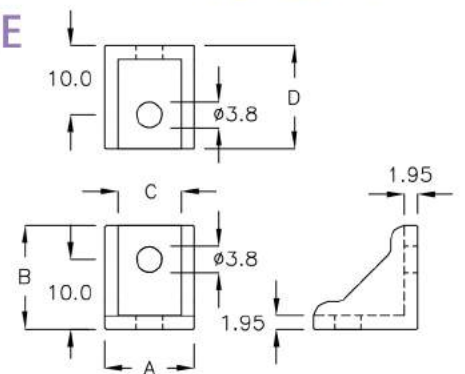
13-33-4



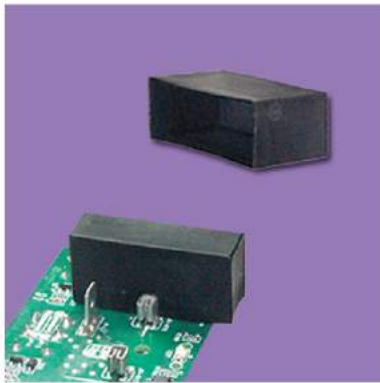
固定座 EDGE CONNECT BASE

MATERIAL: NYLON 66(UL)
FLAME CLASS: 94V-0
COLOR: BLACK

PART NO	A	B	C	D	PACKAGE
MMX-15F	12.9	14.9	9.1	14.9	200



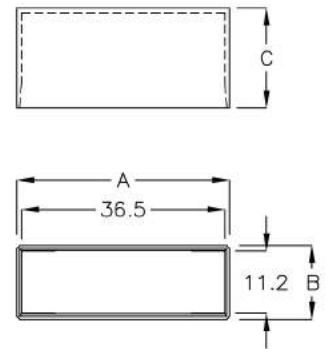
13-34-1



散熱片護套 HEAT SINK COVER

MATERIAL: NYLON 66(UL)
FLAME CLASS: 94V-2
COLOR: BLACK

PART NO	A	B	C	PACKAGE
HDA-01	38.5	13.3	18.0	200



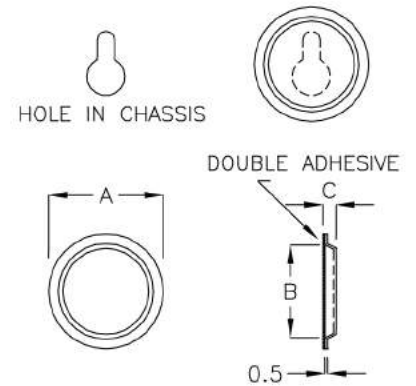
13-34-2



保護罩 INSULATION CAP

MATERIAL: PP
COLOR: BLACK

PART NO	A	B	C	PACKAGE
HD-24C	∅24.0	∅18.0	2.3	990
HD-26	∅26.0	∅17.6	2.3	
HD-31A	∅31.6	∅18.0	2.8	690



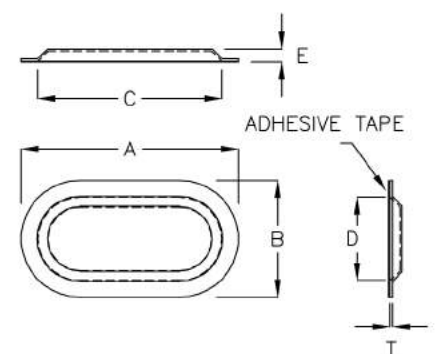
13-34-3



保護罩 INSULATION CAP

MATERIAL: PP
COLOR: BLACK

PART NO	A	B	C	D	E	T	PACKAGE
HD-27MQ	27.0	17.5	20.4	10.9	3.43	0.5	1200
HD-34	33.4	19.1	27.3	13.0	2.3	0.3	840
HD-35FC	35.0	21.5	28.4	14.9	5.13	0.5	840
HD-52	51.7	28.0	44.0	20.0	3.0	0.5	450



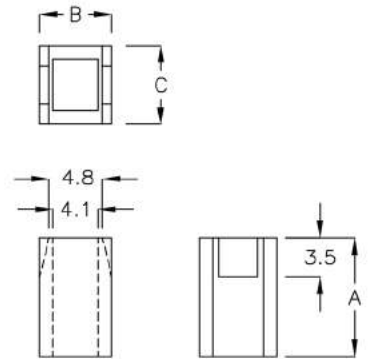
13-35-1



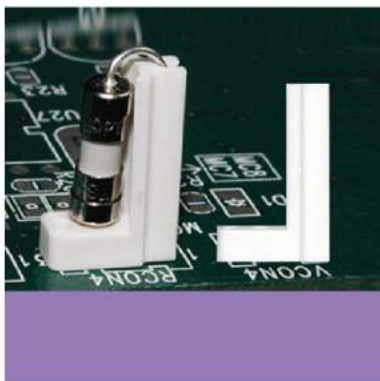
固定座 MOUNT

MATERIAL: NYLON 66(UL)
FLAME CLASS: 94V-2
COLOR: BLACK

PART NO	A	B	C	PACKAGE
D-0710	10.8	6.5	7.0	1000



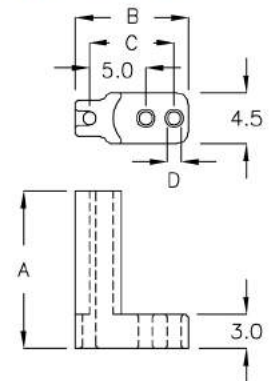
13-35-2



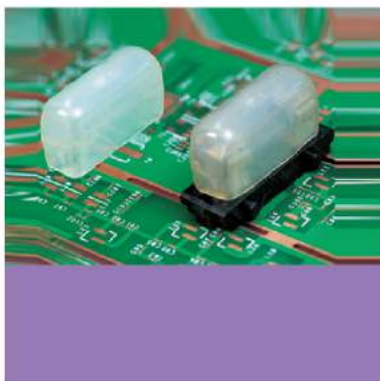
固定座 MOUNT

MATERIAL: PBT
FLAME CLASS: 94V-0
COLOR: NATURAL

PART NO	A	B	C	D	PACKAGE
MJC-15	15.5	10.0	7.5	∅1.2	500



13-35-3

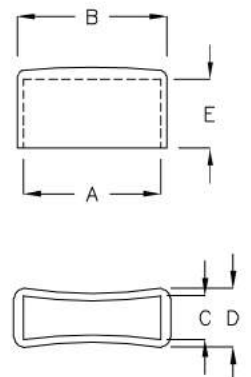


保險絲蓋 FUSE COVER

MATERIAL: PVC
COLOR: NATURAL



PART NO	A	B	C	D	E	UL	PACKAGE
FH-1	19.8	22.6	5.6	8.4	11.0	UL	1000
FH-1L	22.0	24.0	6.0	8.0	11.0	UL	
FH-1S	18.0	20.5	5.3	7.8	10.0	UL	
FH-3	31.6	33.6	9.5	12.0	13.0	UL	500
FH-3A	31.0	33.6	8.1	10.5	11.5	UL	
FH-13	12.2	14.2	4.7	6.7	9.0	UL	1000



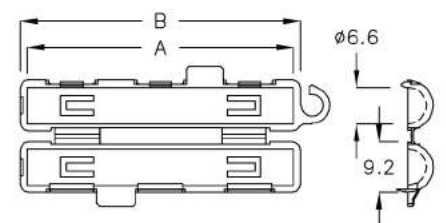
13-35-4



保險絲盒 FUSE BOX

MATERIAL: NYLON 66(UL)
FLAME CLASS: 94V-2
COLOR: NATURAL

PART NO	A	B	PACKAGE
MFH-50	48.2	51.0	500

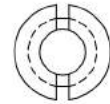
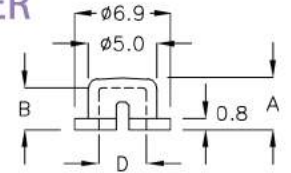


13-36-1



開關延長蓋 SWITCH EXTENDING COVER

MATERIAL: NYLON 66(UL)
FLAME CLASS: 94V-2
COLOR: BLACK



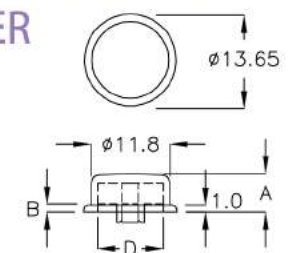
PART NO	A	B	D	PACKAGE
HSA-01	3.8	3.0	ø3.4	1000

13-36-2



開關延長蓋 SWITCH EXTENDING COVER

MATERIAL: NYLON 66(UL)
FLAME CLASS: 94V-2
COLOR: BLACK



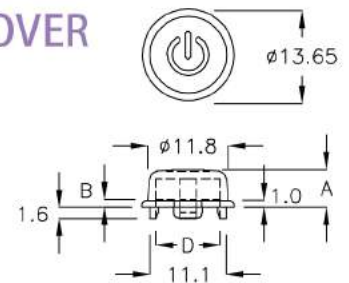
PART NO	A	B	D	PACKAGE
HS-5A	5.6	1.2	ø9.5	1000

13-36-3



開關延長蓋 SWITCH EXTENDING COVER

MATERIAL: NYLON 66(UL)
FLAME CLASS: 94V-2
COLOR: BLACK



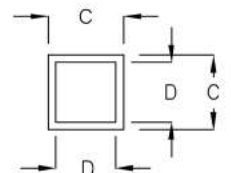
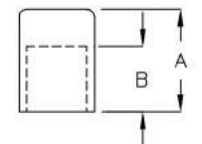
PART NO	A	B	D	PACKAGE
HS-5K	5.6	1.2	ø9.5	1000

13-36-4



開關延長蓋 SWITCH EXTENDING COVER

MATERIAL: NYLON 66(UL)
FLAME CLASS: 94V-2
COLOR: NATURAL



PART NO	A	B	C	D	PACKAGE
HS-1	5.5	3.5	4.0	3.2	2000
HS-01A	4.7	3.45	5.25	3.2	
HS-1S	4.7	3.45	5.25	3.3	
HS-2	6.5	4.5	5.0	2.8	
HS-2H	4.4	3.0	5.0	2.7	

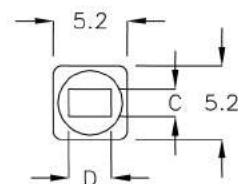
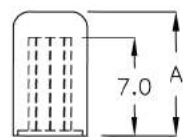
13-37-1

開關延長蓋 SWITCH EXTENDING COVER



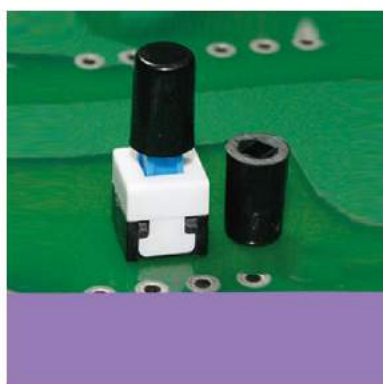
MATERIAL: ABS
FLAME CLASS: 94-HB
COLOR: BLACK

PART NO	A	C	D	PACKAGE
HS-009	8.8	2.0	3.0	2000



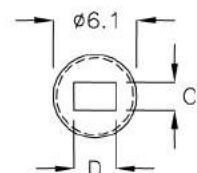
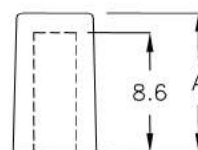
13-37-2

開關延長蓋 SWITCH EXTENDING COVER



MATERIAL: NYLON 66(UL)
FLAME CLASS: 94V-2
COLOR: BLACK, NATURAL

PART NO	A	C	D	PACKAGE
HS-1C	9.6	2.0	3.0	2000



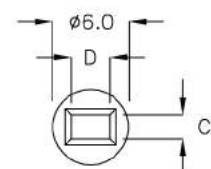
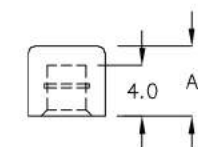
13-37-3

開關延長蓋 SWITCH EXTENDING COVER



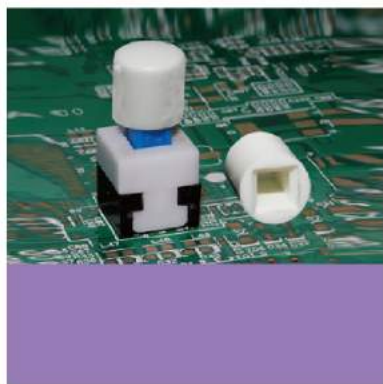
MATERIAL: NYLON 66(UL)
FLAME CLASS: 94V-2
COLOR: BLACK, NATURAL

PART NO	A	C	D	PACKAGE
HS-06C	5.5	1.9	3.0	2000



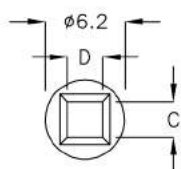
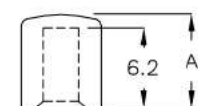
13-37-4

開關延長蓋 SWITCH EXTENDING COVER



MATERIAL: ABS
FLAME CLASS: 94-HB
COLOR: NATURAL

PART NO	A	C	D	PACKAGE
HSQ-7C	7.3	2.8	2.8	2000



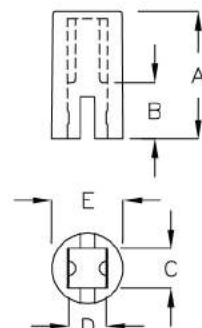
13-38-1

開關延長蓋 SWITCH EXTENDING COVER



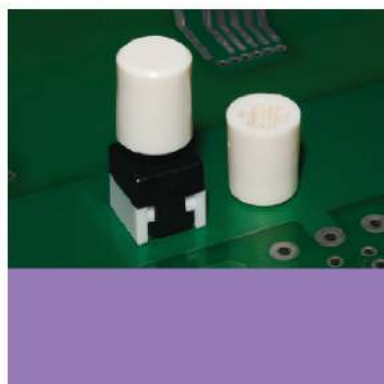
COLOR: NATURAL, BLACK

PART NO	MATERIAL	A	B	C	D	E	PACKAGE
HS-09C	ABS,94V-0	9.0	4.0	2.8	2.6	φ5.0	2000
HS-09D	N66,94V-2	9.0	3.0	2.5	2.15	φ4.6	



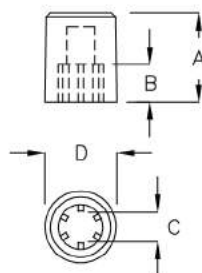
13-38-2

開關延長蓋 SWITCH EXTENDING COVER



COLOR: NATURAL, BLACK

PART NO	MATERIAL	A	B	C	D	PACKAGE
HS-10C	ABS,94-HB	9.9	4.2	φ3.2	φ8.0	1000
HS-12A	ABS,94-HB	12.0	4.2	φ3.3	φ8.0	
HS-14A	ABS,94-HB	14.0	4.2	φ3.4	φ8.0	
HS-16FA	N66,94V-2	16.5	7.0	φ3.45	φ6.3	
HS-18	N66,94V-2	18.0	7.0	φ3.45	φ6.3	



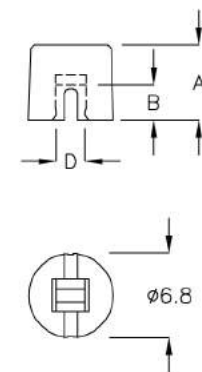
13-38-3

開關延長蓋 SWITCH EXTENDING COVER



MATERIAL: NYLON 66(UL)
FLAME CLASS: 94V-2
COLOR: NATURAL, BLACK

PART NO	A	B	D	PACKAGE
HS-6F	6.0	2.8	2.3	2000
HS-6M	6.5	2.8	2.4	
HS-7K	7.5	2.8	2.4	
HS-8HY	8.0	2.8	2.4	
HS-8MA	8.5	2.8	2.4	



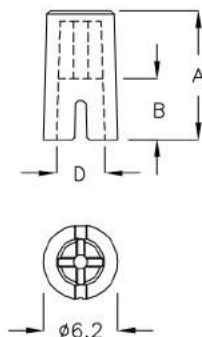
13-38-4

開關延長蓋 SWITCH EXTENDING COVER



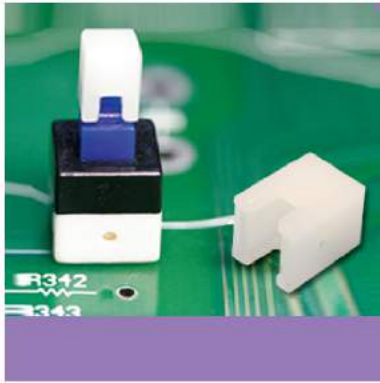
MATERIAL: ABS
FLAME CLASS: 94-HB
COLOR: BLACK

PART NO	A	B	D	PACKAGE
HS-15	9.9	4.55	φ3.7	1000

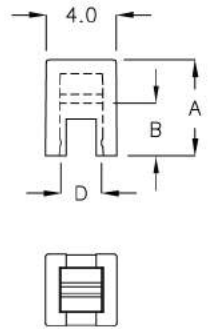


13-39-1

開關延長蓋 SWITCH EXTENDING COVER



MATERIAL: ABS
FLAME CLASS: 94-HB
COLOR: WHITE, NATURAL



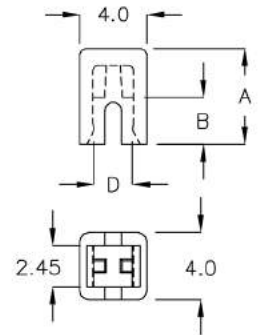
PART NO	A	B	D	PACKAGE
HS-16	5.5	3.0	2.28	2000

13-39-2

開關延長蓋 SWITCH EXTENDING COVER



MATERIAL: ABS
FLAME CLASS: 94-HB
COLOR: NATURAL



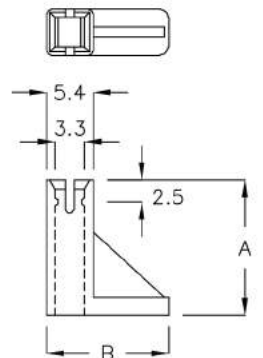
PART NO	A	B	D	PACKAGE
HSM-5K	5.7	2.8	2.3	2000

13-39-3

開關延長蓋 SWITCH EXTENDING COVER



MATERIAL: NYLON 66(UL)
FLAME CLASS: 94V-2
COLOR: NATURAL



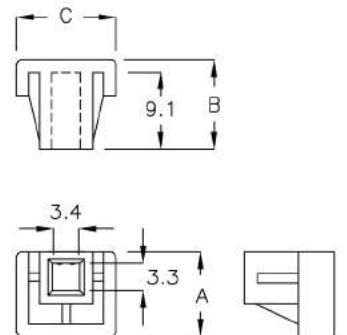
PART NO	A	B	PACKAGE
HS-05S	11.8	14.2	1000
HS-5	15.8	14.2	

13-39-4

開關延長蓋 SWITCH EXTENDING COVER

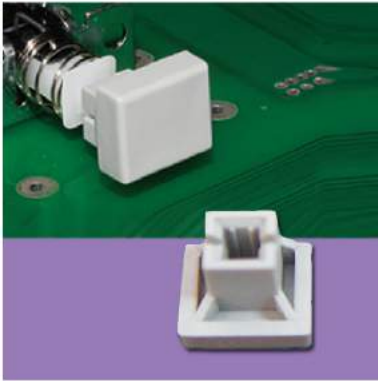


MATERIAL: ABS
FLAME CLASS: 94V-0
COLOR: GRAY



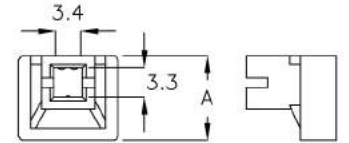
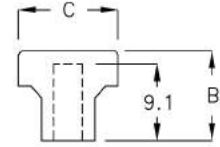
PART NO	A	B	C	PACKAGE
HS-6	10.2	10.8	12.0	500

13-40-1



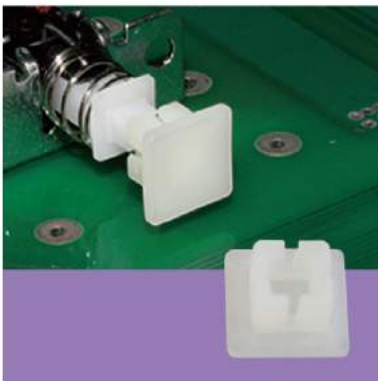
開關延長蓋 SWITCH EXTENDING COVER

MATERIAL: ABS
FLAME CLASS: 94V-0
COLOR: GRAY



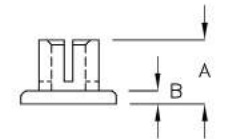
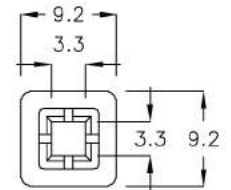
PART NO	A	B	C	PACKAGE
HS-06A	10.3	10.8	12.2	500

13-40-2



開關延長蓋 SWITCH EXTENDING COVER

MATERIAL: NYLON 66(UL)
FLAME CLASS: 94V-2
COLOR: NATURAL



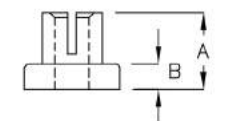
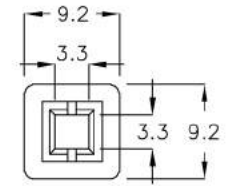
PART NO	A	B	PACKAGE
HS-007	6.3	1.2	1000

13-40-3



開關延長蓋 SWITCH EXTENDING COVER

MATERIAL: NYLON 66(UL)
FLAME CLASS: 94V-2
COLOR: BLACK



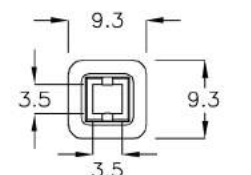
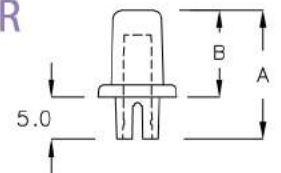
PART NO	A	B	PACKAGE
HS-07A	9.5	2.5	1000

13-40-4



開關延長蓋 SWITCH EXTENDING COVER

MATERIAL: NYLON 66(UL)
FLAME CLASS: 94V-2
COLOR: BLACK



PART NO	A	B	PACKAGE
HS-04	15.5	10.5	1000

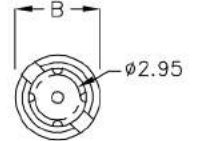
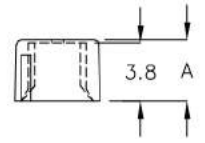
13-41-1



開關延長蓋 SWITCH EXTENDING COVER

MATERIAL: NYLON 66(UL)
FLAME CLASS: 94V-2
COLOR: NATURAL, BLACK

PART NO	A	B	PACKAGE
HS-008	4.0	∅5.5	2000
HS-012	6.3	∅5.5	



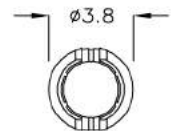
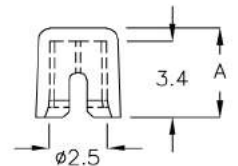
13-41-2



開關延長蓋 SWITCH EXTENDING COVER

MATERIAL: NYLON 66(UL)
FLAME CLASS: 94V-2
COLOR: BLACK

PART NO	A	PACKAGE
HS-4CF	4.0	2000



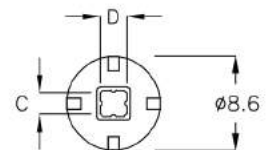
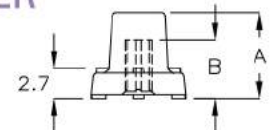
13-41-3



開關延長蓋 SWITCH EXTENDING COVER

MATERIAL: ABS+PC(UL)
FLAME CLASS: 94V-0
COLOR: BLACK

PART NO	A	B	C	D	PACKAGE
HSD-01	7.8	5.3	2.0	2.0	2000



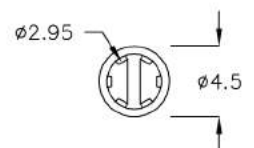
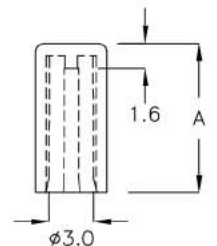
13-41-4



開關延長蓋 SWITCH EXTENDING COVER

MATERIAL: NYLON 66(UL)
FLAME CLASS: 94V-2
COLOR: NATURAL, BLACK

PART NO	A	PACKAGE
DAH-9H	9.5	1000

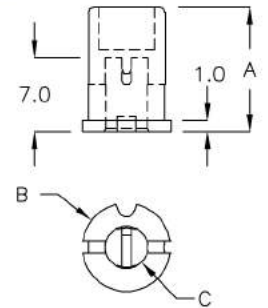


13-42-1



開關延長蓋 SWITCH EXTENDING COVER

MATERIAL: NYLON 66(UL)
FLAME CLASS: 94V-2
COLOR: BLACK



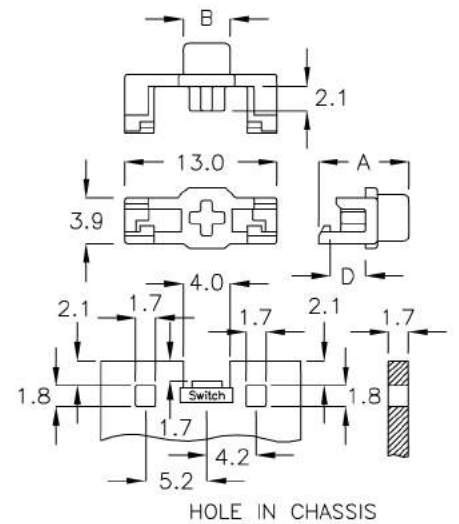
PART NO	A	B	C	PACKAGE
HSL-11A	11.8	∅8.5	∅4.1	1000
HSL-11SP	11.8	∅7.5	∅3.3	

13-42-2



開關延長蓋 SWITCH EXTENDING COVER

MATERIAL: NYLON 66(UL)
FLAME CLASS: 94V-0
COLOR: BLACK



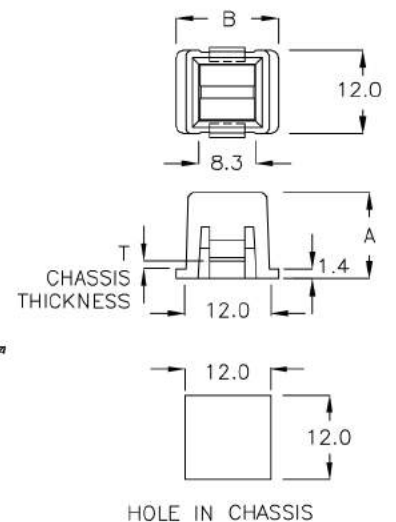
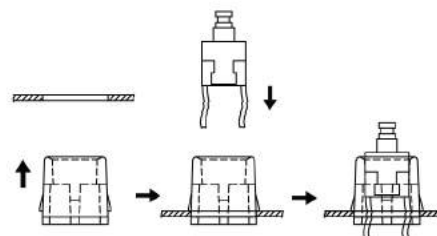
PART NO	A	B	D	PACKAGE
★ HSW-13FH	7.7	∅4.0	3.0	1000

13-42-3



開關座 PUSH SWITCH HOLDER

MATERIAL: ABS
FLAME CLASS: 94-HB
COLOR: BLACK



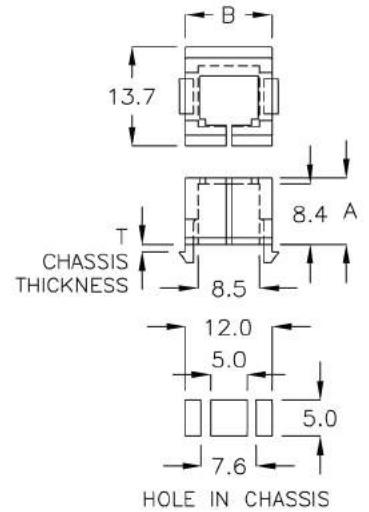
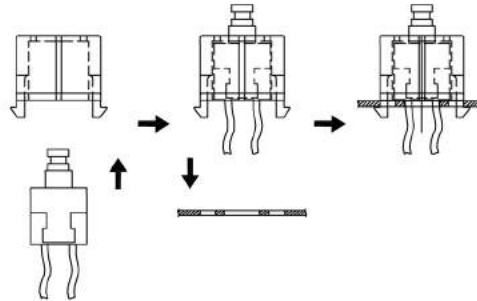
PART NO	A	B	T CHASSIS THICKNESS	PACKAGE
HS-08A	12.4	14.8	0.8	1000

13-43-1



開關座 PUSH SWITCH HOLDER

MATERIAL: NYLON 66(UL)
FLAME CLASS: 94V-2
COLOR: BLACK



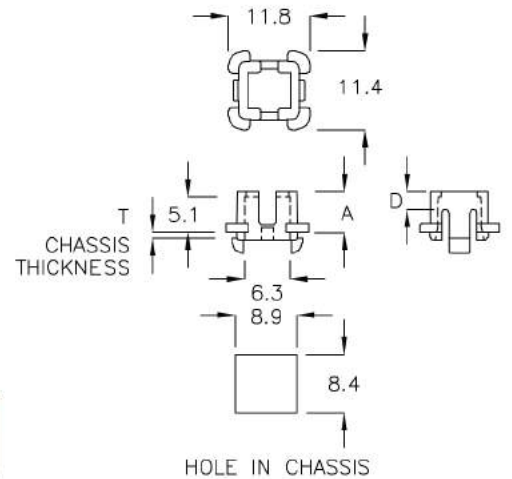
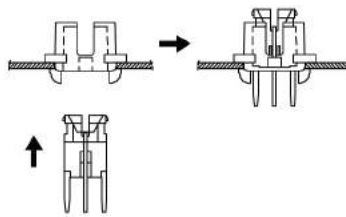
PART NO	A	B	T CHASSIS THICKNESS	PACKAGE
HS-11	9.2	11.95	0.8	500

13-43-2



開關座 SWITCH HOLDER

MATERIAL: NYLON 66(UL)
FLAME CLASS: 94V-2
COLOR: BLACK



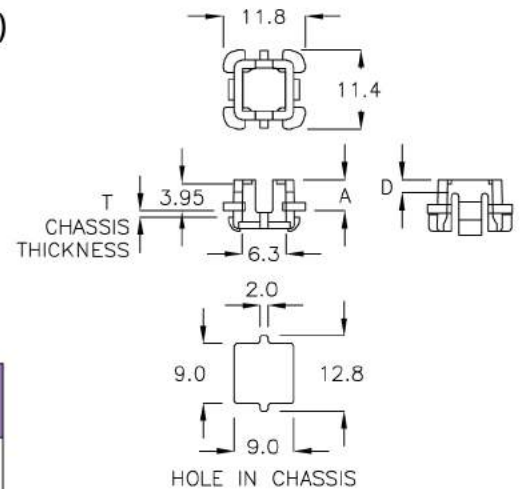
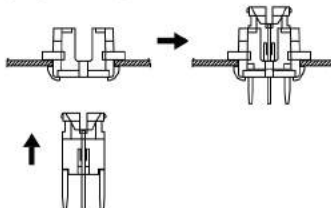
PART NO	A	D	T CHASSIS THICKNESS	PACKAGE
HSF-01	5.8	2.5	0.8	1000

13-43-3



開關座 SWITCH HOLDER

MATERIAL: NYLON 66(UL)
FLAME CLASS: 94V-2
COLOR: BLACK

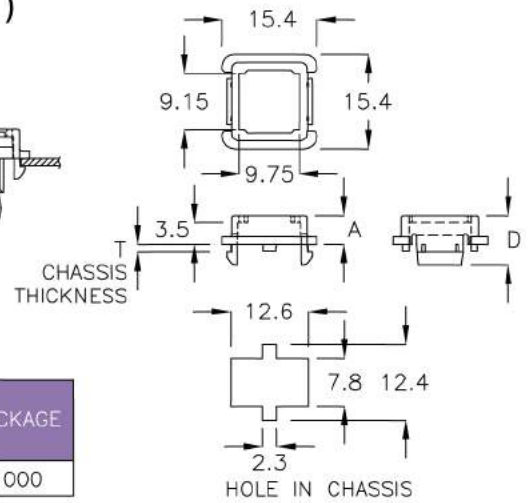
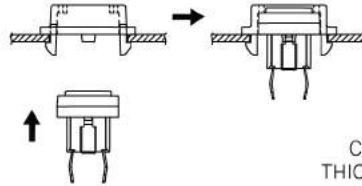


PART NO	A	D	T CHASSIS THICKNESS	PACKAGE
HSF-02	4.5	1.8	0.8	1000
HSF-2KD	4.5	1.8	0.6	



開關座 SWITCH HOLDER

MATERIAL: NYLON 66(UL)
FLAME CLASS: 94V-0
COLOR: BLACK

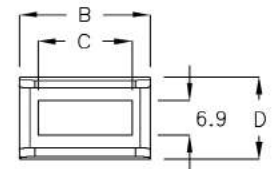


PART NO	A	D	T CHASSIS THICKNESS	PACKAGE
HSF-4WR	4.7	8.05	1.2	1000

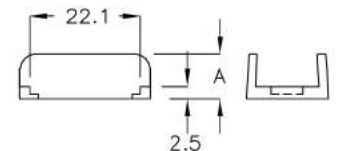


電源開關座 SWITCH COVER

MATERIAL: ABS
FLAME CLASS: 94V-0
COLOR: BLACK

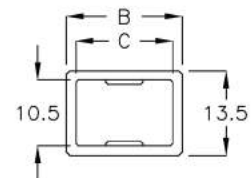


PART NO	A	B	C	D	PACKAGE
HCA-18	9.0	26.1	18.8	16.4	500

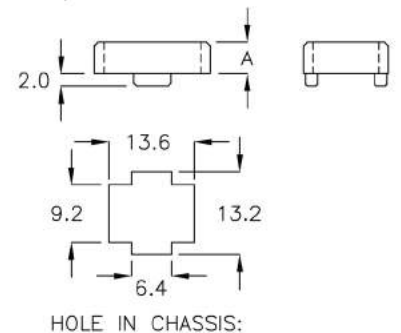


電源開關座 SWITCH COVER

MATERIAL: NYLON 66(UL)
FLAME CLASS: 94V-2
COLOR: BLACK



PART NO	A	B	C	PACKAGE
HCA-15D	5.0	18.5	15.5	500



PINGOOD

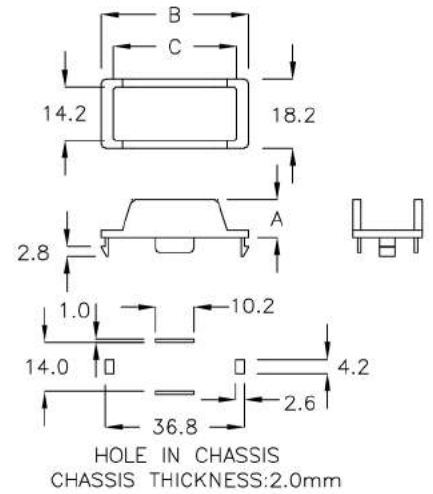
13-45-1



電源開關座 SWITCH COVER

MATERIAL: NYLON 66(UL)
FLAME CLASS: 94V-2
COLOR: BLACK

PART NO	A	B	C	PACKAGE
HCA-32	10.0	38.6	32.4	500



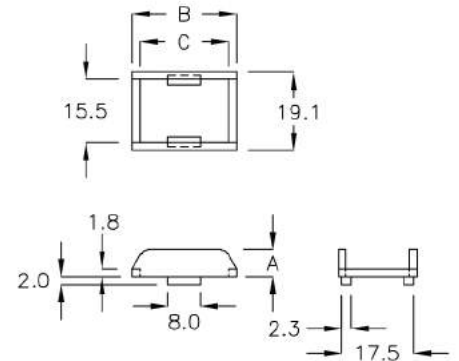
13-45-2



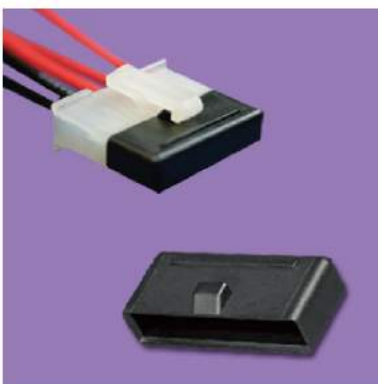
電源開關座 SWITCH COVER

MATERIAL: NYLON 66(UL)
FLAME CLASS: 94V-2
COLOR: BLACK

PART NO	A	B	C	PACKAGE
HCA-21K	6.5	25.5	21.5	500



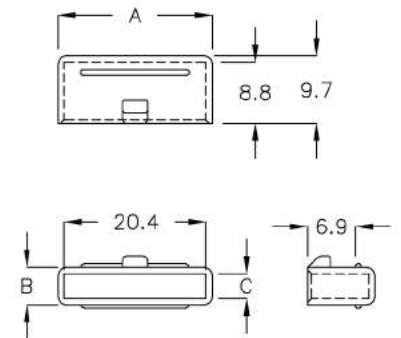
13-45-3



防塵蓋 SATA DUST COVER

MATERIAL: NYLON 66(UL)
FLAME CLASS: 94V-2
COLOR: BLACK

PART NO	A	B	C	PACKAGE
HTD-20A	22.2	5.4	3.6	1000



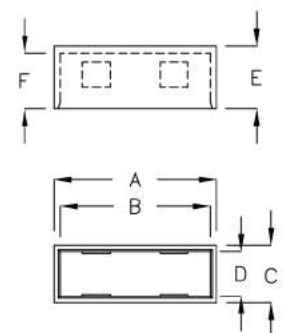
13-45-4



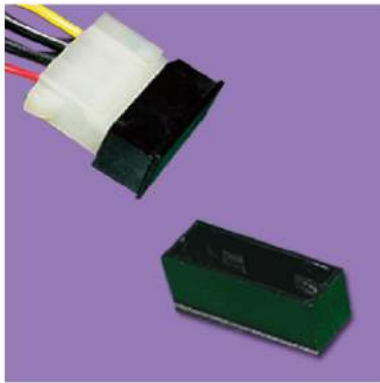
防塵蓋 SATA DUST COVER

MATERIAL: NYLON 66(UL)
FLAME CLASS: 94V-2
COLOR: NATURAL

PART NO	A	B	C	D	E	F	PACKAGE
HC-21	23.4	21.6	8.2	6.4	9.0	8.0	500



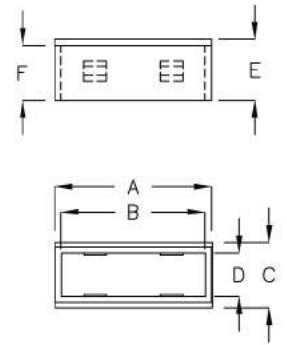
13-46-1



防塵蓋 SATA DUST COVER

MATERIAL: NYLON 66(UL)
FLAME CLASS: 94V-2
COLOR: BLACK

PART NO	A	B	C	D	E	F	PACKAGE
HC-21F	23.9	22.0	10.0	6.6	9.3	8.3	500
HC-21H	23.0	21.1	10.4	6.5	9.1	8.1	



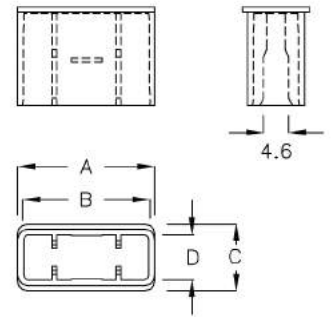
13-46-2



防塵蓋 SATA DUST COVER

MATERIAL: ABS(UL)
FLAME CLASS: 94V-0
COLOR: BLACK

PART NO	A	B	C	D	PACKAGE
HC-27A	26.7	24.7	13.0	8.6	500



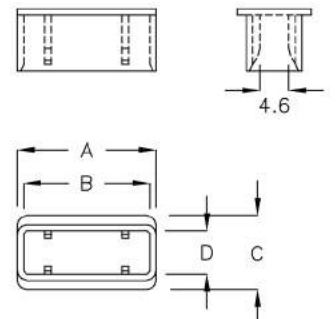
13-46-3



防塵蓋 SATA DUST COVER

MATERIAL: PC(UL)
FLAME CLASS: 94V-2
COLOR: BLACK

PART NO	A	B	C	D	PACKAGE
HCQ-22KR	22.5	20.5	12.0	7.0	500



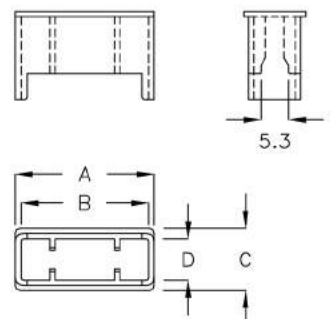
13-46-4



防塵蓋 SATA DUST COVER

MATERIAL: ABS(UL)
FLAME CLASS: 94V-0
COLOR: BLACK

PART NO	A	B	C	D	PACKAGE
HC-27C	26.8	24.4	12.0	8.0	500

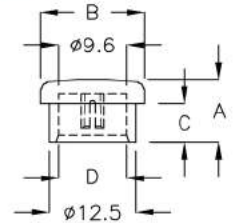


13-47-1

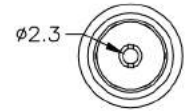


網通光纖接頭防塵蓋 TRANSPORTER COVER

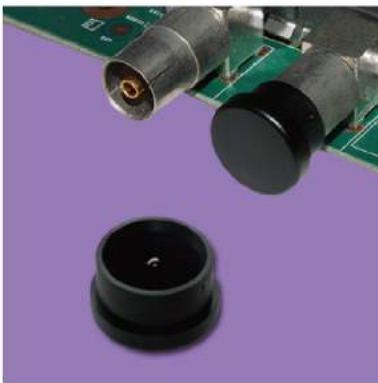
MATERIAL: NYLON 66(UL)
FLAME CLASS: 94V-2
COLOR: BLACK



PART NO	A	B	C	D	PACKAGE
HB-01	9.0	ø15.0	5.5	ø9.8	1000

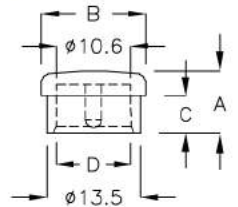


13-47-2

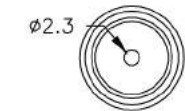


網通光纖接頭防塵蓋 TRANSPORTER COVER

MATERIAL: NYLON 66(UL)
FLAME CLASS: 94V-2
COLOR: BLACK



PART NO	A	B	C	D	PACKAGE
HB-02	9.0	ø15.0	5.5	ø10.7	1000

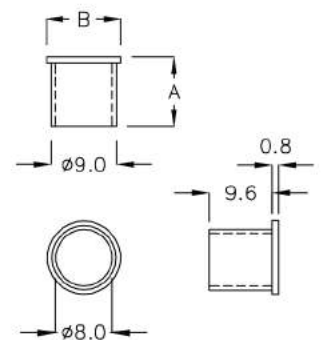


13-47-3



PS/2 防塵蓋 PS/2 DUST COVER

MATERIAL: PP
COLOR: BLACK



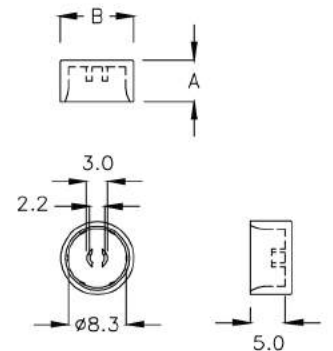
PART NO	A	B	PACKAGE
HB-03	10.4	ø10.5	1000

13-47-4



AVI端子防塵蓋 DUST COVER

MATERIAL: NYLON 66(UL)
FLAME CLASS: 94V-2
COLOR: BLACK



PART NO	A	B	PACKAGE
AVI-01	6.0	ø10.6	1000

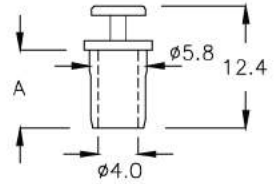
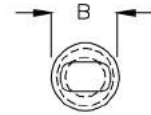
13-48-1



插頭蓋 DC COVER

MATERIAL: NYLON 66(UL)
FLAME CLASS: 94V-2
COLOR: BLACK

PART NO	A	B	PACKAGE
DCC-5JA	7.9	ø6.9	2000



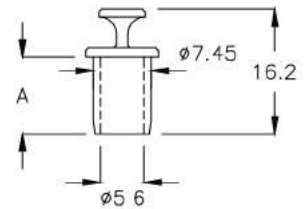
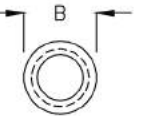
13-48-2



插頭蓋 DC COVER

MATERIAL: NYLON 66(UL)
FLAME CLASS: 94V-2
COLOR: BLACK

PART NO	A	B	PACKAGE
DCC-7AK	10.0	ø9.5	2000



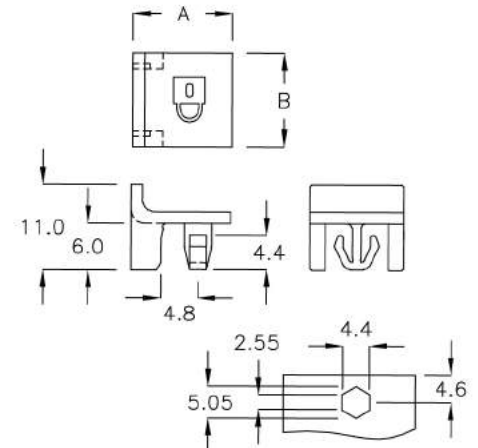
13-48-3



固定座 MOUNT

MATERIAL: NYLON 66(UL)
FLAME CLASS: 94V-2
COLOR: BLACK

PART NO	A	B	PACKAGE
DHD-01	12.8	12.0	500



HOLE IN CHASSIS:
CHASSIS THICKNESS: 2.0mm

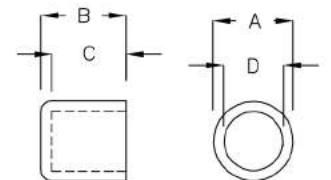
13-48-4



防塵蓋 DUST COVER

COLOR: NATURAL, BLACK

PART NO	A	B	C	D	MATERIAL	PACKAGE
HC-5	ø8.0	5.2	4.7	ø6.5	N66	2000
HC-5S	ø8.0	3.0	2.5	ø6.5	N66	
HC-6	ø8.0	8.5	7.4	ø6.0	TPE	1000
HC-6DP	ø8.0	5.4	4.3	ø6.0	TPE	
HC-8	ø10.5	8.0	6.8	ø8.0	N66	
HC-9	ø10.9	9.7	8.7	ø9.0	TPE	
HC-10	ø12.0	9.2	8.0	ø10.0	N66	

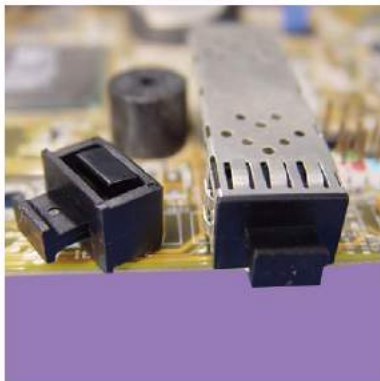
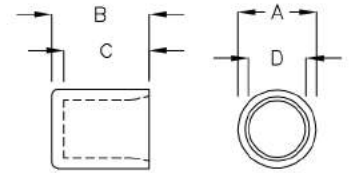




防塵蓋 DUST COVER

MATERIAL: SILICONE
COLOR: BLACK

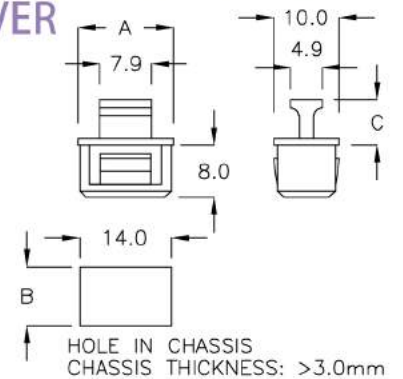
PART NO	A	B	C	D	PACKAGE
VCK-5A	ø6.6	8.1	7.1	ø4.8	2000
VCK-7K	ø7.7	12.0	11.5	ø6.7	1000
VCK-8D	ø9.6	12.0	11.5	ø8.6	



SFP防塵蓋 SFP CONNECTOR COVER

MATERIAL: PE
COLOR: BLACK

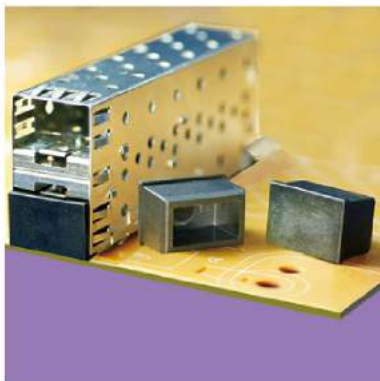
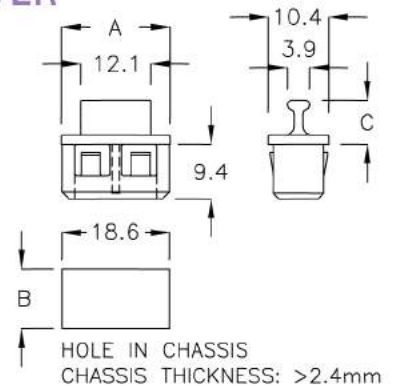
PART NO	A	B	C	PACKAGE
NEP-01	14.5	9.0	6.9	500
NEP-1QM	14.0	8.9	6.8	



SFP防塵蓋 SFP CONNECTOR COVER

MATERIAL: NYLON 66(UL)
FLAME CLASS: 94V-2
COLOR: BLACK

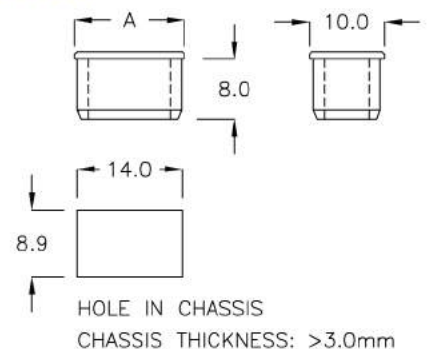
PART NO	A	B	C	PACKAGE
NEC-18	18.6	8.85	7.6	500



SFP防塵蓋 SFP CONNECTOR COVER

MATERIAL: PE
COLOR: BLACK

PART NO	A	PACKAGE
NEK-14	14.6	500



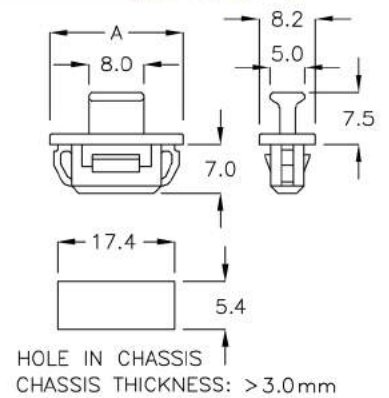
13-50-1



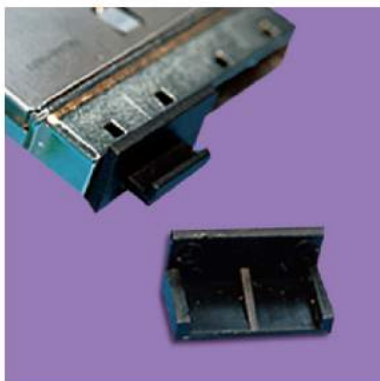
MINI SII插頭蓋 MINI SII COVER

MATERIAL: PE
COLOR: BLACK

PART NO	A	PACKAGE
NEY-01	19.2	500



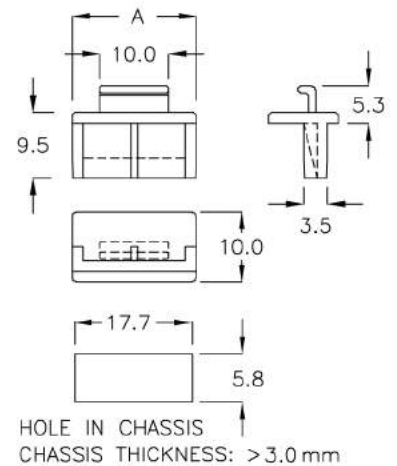
13-50-2



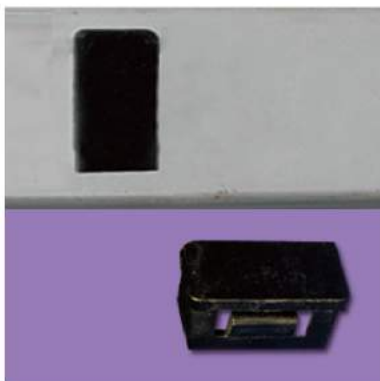
MINI SII插頭蓋 MINI SII COVER

MATERIAL: PP
COLOR: BLACK

PART NO	A	PACKAGE
NEY-2A	17.8	500



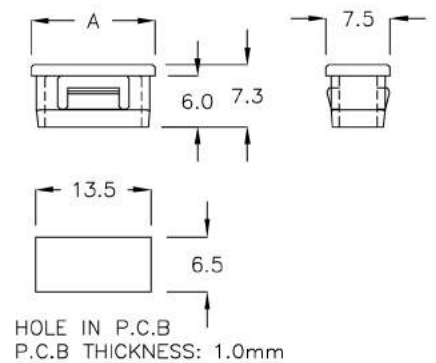
13-50-3



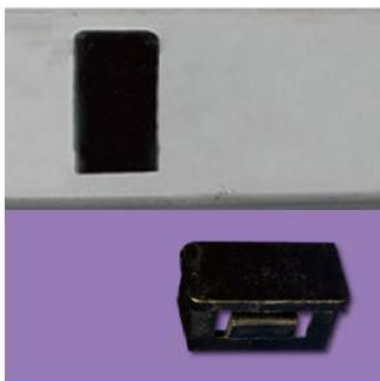
防塵蓋 DUST COVER

MATERIAL: NYLON 66(UL)
FLAME CLASS: 94V-2
COLOR: BLACK

PART NO	A	PACKAGE
HBC-14CK	14.5	1000



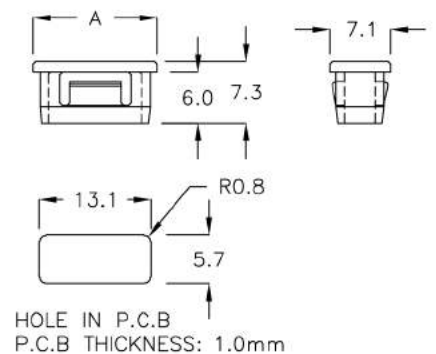
13-50-4



防塵蓋 DUST COVER

MATERIAL: NYLON 66(UL)
FLAME CLASS: 94V-2
COLOR: BLACK

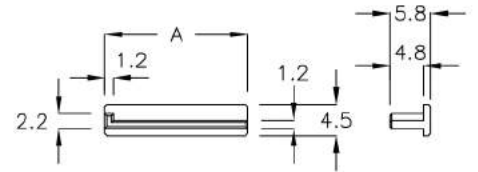
PART NO	A	PACKAGE
HBC-14FM	14.5	1000





防塵蓋 POWER CONNECTOR COVER

MATERIAL: NYLON 66(UL)
 FLAME CLASS: 94V-2
 COLOR: BLACK

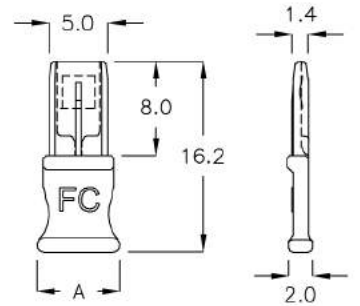


PART NO	A	PACKAGE
HBF-01	20.5	1000



防塵蓋 DUST COVER

MATERIAL: NYLON 66(UL)
 FLAME CLASS: 94V-2
 COLOR: BLACK

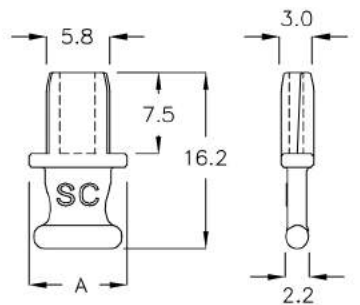


PART NO	A	PACKAGE
HCL-5M	7.0	1000



防塵蓋 DUST COVER

MATERIAL: TPE
 COLOR: BLACK

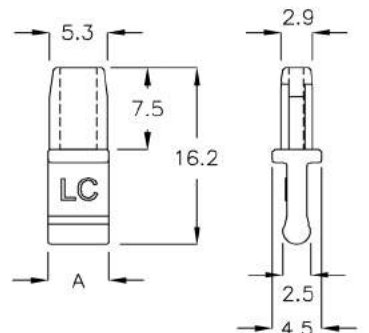


PART NO	A	PACKAGE
HCW-6T	9.0	1000



防塵蓋 DUST COVER

MATERIAL: TPE
 COLOR: BLACK



PART NO	A	PACKAGE
HCZ-5A	5.6	1000

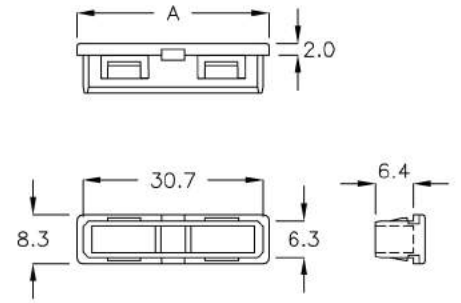
13-52-1



防塵蓋 DUST COVER

MATERIAL: PE
COLOR: BLACK

PART NO	A	PACKAGE
NER-30A	32.5	500



13-52-2

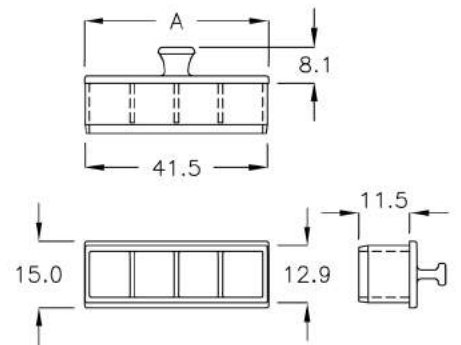


防塵蓋 DUST COVER

MATERIAL: NYLON 66(UL)
FLAME CLASS: 94V-2
COLOR: BLACK



PART NO	A	PACKAGE
★ CFP-41A	41.7	200



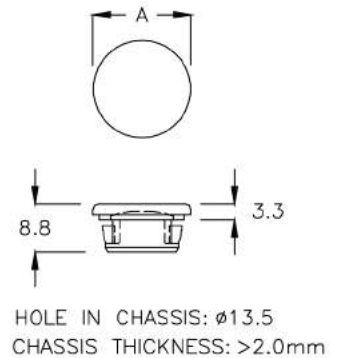
13-52-3



防塵蓋 DUST COVER

MATERIAL: NYLON 66(UL)
FLAME CLASS: 94V-2
COLOR: NATURAL

PART NO	A	PACKAGE
HBA-01	∅18.0	1000



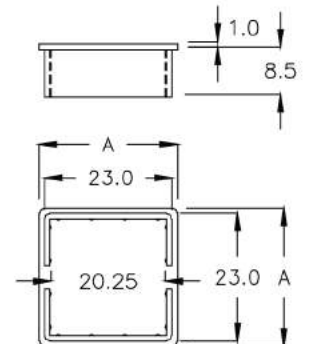
13-52-4



防塵蓋 DUST COVER

MATERIAL: NYLON 66(UL)
FLAME CLASS: 94V-2
COLOR: NATURAL

PART NO	A	PACKAGE
HKA-20A	25.0	200



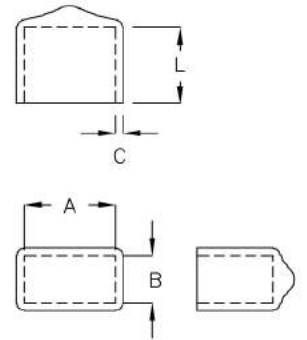
13-53-1



防塵蓋 VCP CAP

MATERIAL: PVC
COLOR: BLACK

PART NO	A	B	L	C	PACKAGE
VCQ-7A	7.4	9.0	12.8	1.0	1000
VCQ-08	8.3	1.0	8.0	0.8	2000
VCQ-9A	9.6	4.5	16.0	1.2	1000
VCQ-10	10.1	1.0	7.0	1.0	
VCQ-12	12.0	4.7	10.0	1.0	



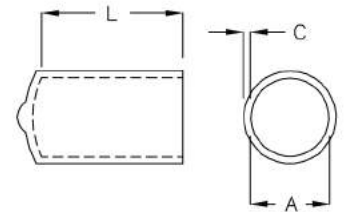
13-53-2



防塵蓋 VCP CAP

MATERIAL: PVC
COLOR: BLACK, RED, WHITE
BLUE, YELLOW, GREEN
UL STANDARD ALSO AVAILABLE

PART NO	A	L	C	PACKAGE
VCP-3.2	3.2	13.0	0.8	2000
VCP-4.0	4.0	8.0	0.8	1000
VCP-4.8	4.8	13.0	0.8	
VCP-5.7	5.7	13.0	1.0	
VCP-6.5	6.5	13.0	1.0	
VCP-7.6	7.6	8.0	1.0	
VCP-8.0	8.0	10.0	1.0	
VCP-9.5	9.4	16.0	1.0	
VCP-9.5A	9.5	13.0	1.0	
VCP-11	11.4	20.0	1.2	500
VCP-12	12.0	16.0	1.2	
VCP-14	14.0	35.0	1.2	
VCP-18	18.0	13.0	1.2	
VCP-18C	18.0	18.0	1.2	



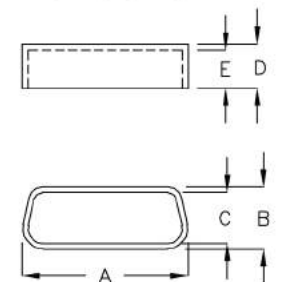
13-53-3



插頭蓋 HOUSING COVER

MATERIAL: PP
COLOR: NATURAL

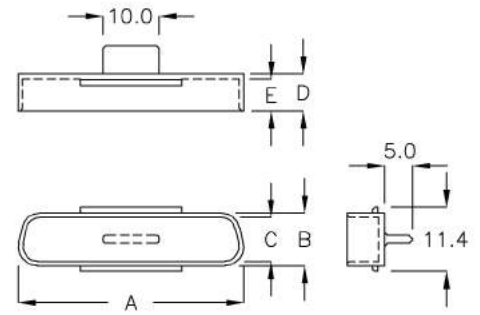
PART NO	A	B	C	D	E	SUITABLE SOCKET	PACKAGE
HC-0	18.1	9.2	7.85	6.5	5.7	9 PIN FEMALE	500
HC-1	26.0	9.2	7.85	6.5	5.7	15 PIN FEMALE	
HC-2	20.0	11.0	9.2	7.2	6.1	9 PIN MALE	
HC-15	39.8	9.2	7.85	6.5	5.7	25 PIN FEMALE	
HC-16	42.0	10.9	9.1	7.3	6.3	25 PIN MALE	200





插頭蓋 HOUSING COVER

MATERIAL: NYLON 66(UL)
FLAME CLASS: 94V-2
COLOR: BLACK

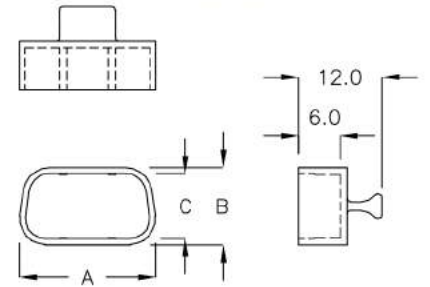


PART NO	A	B	C	D	E	SUITABLE SOCKET	PACKAGE
HC-15QC	40.05	9.4	7.75	6.6	5.6	25 PIN FEMALE	500



插頭蓋 HOUSING COVER

MATERIAL: NYLON 66(UL)
FLAME CLASS: 94V-2
COLOR: BLACK

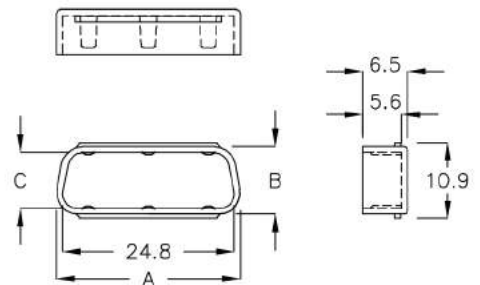


PART NO	A	B	C	SUITABLE SOCKET	PACKAGE
HCM-19J	19.6	11.1	9.4	9 PIN MALE	500



插頭蓋 HOUSING COVER

MATERIAL: NYLON 66(UL)
FLAME CLASS: 94V-2
COLOR: NATURAL

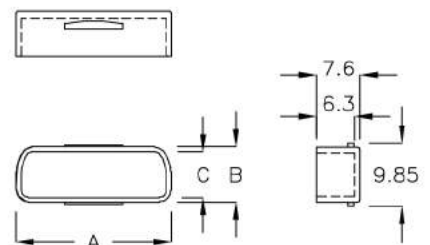


PART NO	A	B	C	SUITABLE SOCKET	PACKAGE
HC-1A	26.5	9.7	8.1	15 PIN FEMALE	500



DVI 防塵蓋 DVI COVER

MATERIAL: PE
COLOR: NATURAL



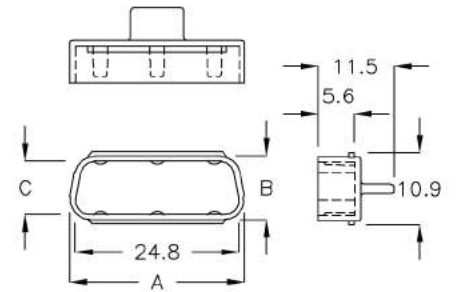
PART NO	A	B	C	PACKAGE
HC-1PZ	25.85	9.25	7.65	500

13-55-1



插頭蓋 HOUSING COVER

MATERIAL: NYLON 66(UL)
FLAME CLASS: 94V-2
COLOR: BLACK



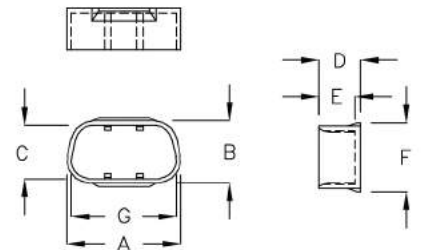
PART NO	A	B	C	SUITABLE SOCKET	PACKAGE
HCM-26F	26.5	9.7	8.1	15 PIN FEMALE	500

13-55-2



插頭蓋 HOUSING COVER

MATERIAL: NYLON 66(UL)
FLAME CLASS: 94V-2
COLOR: BLACK



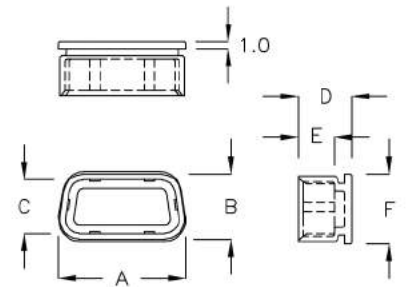
PART NO	A	B	C	D	E	F	G	SUITABLE SOCKET	PACKAGE
HC-02A	17.8	9.7	8.3	6.5	5.7	10.7	16.4	9 PIN FEMALE	500
HC-02C	18.4	10.0	8.0	6.1	5.0	11.2	16.4	9 PIN FEMALE	
HC-2FH	19.6	11.1	9.3	7.0	6.0	12.5	17.8	9 PIN MALE	

13-55-3



插頭蓋 HOUSING COVER

MATERIAL: PE
COLOR: NATURAL



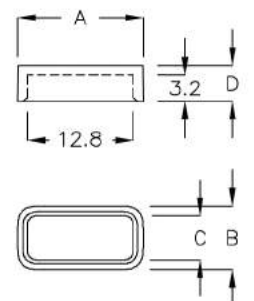
PART NO	A	B	C	D	E	F	SUITABLE SOCKET	PACKAGE
HC-2RF	18.0	9.4	7.8	7.7	5.2	10.1	9 PIN FEMALE	500

13-55-4



插頭蓋 HOUSING COVER

MATERIAL: PP
COLOR: NATURAL



PART NO	A	B	C	D	PACKAGE
HC-12A	15.2	7.6	5.3	4.3	500

13-56-1

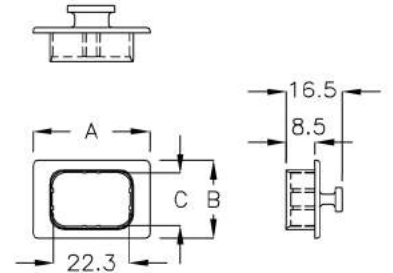


PDU-C14防塵蓋 PDU C14 CONNECTOR COVER

MATERIAL: PE
COLOR: BLACK

NEW

PART NO	A	B	C	PACKAGE
★ HDZ-23C	34.6	23.0	15.4	200



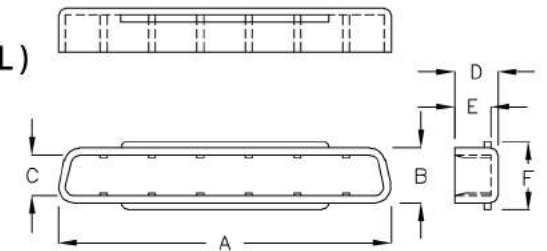
13-56-2



插頭蓋 HOUSING COVER

MATERIAL: NYLON 66(UL)
FLAME CLASS: 94V-2
COLOR: NATURAL

PART NO	A	B	C	D	E	F	PACKAGE
HC-17	48.0	7.9	5.9	6.3	5.3	9.9	200
HC-18	58.0	10.4	8.4	6.8	5.8	12.4	



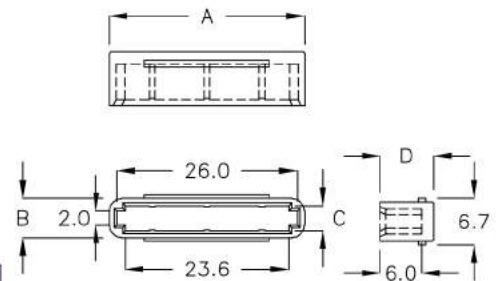
13-56-3



防塵蓋 DUST COVER

MATERIAL: NYLON 66(UL)
FLAME CLASS: 94V-2
COLOR: BLACK

PART NO	A	B	C	D	PACKAGE
HC-28	28.2	5.7	3.6	7.7	500



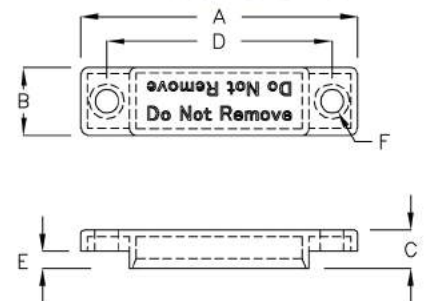
13-56-4



DVI 防塵蓋 DVI COVER

MATERIAL: ABS(UL)
FLAME CLASS: 94-HB
COLOR: BLACK

PART NO	A	B	C	D	E	F	PACKAGE
HC-24	40.1	9.8	5.7	32.6	2.5	∅3.4	500



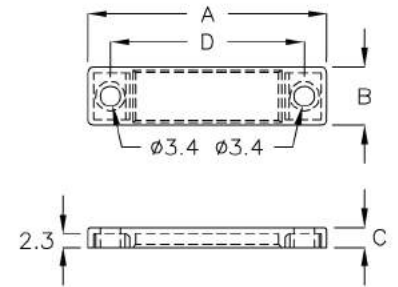
13-57-1



DVI 防塵蓋 DVI COVER

MATERIAL: ABS(UL)
FLAME CLASS: 94-HB
COLOR: BLACK

PART NO	A	B	C	D	PACKAGE
HC-24A	40.0	9.8	3.3	32.5	500



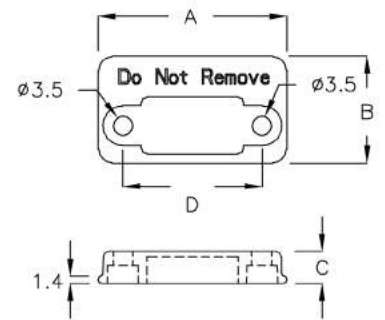
13-57-2



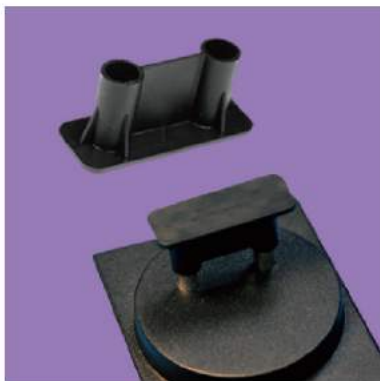
VGA插頭蓋 VGA COVER

MATERIAL: ABS(UL)
FLAME CLASS: 94-HB
COLOR: BLACK

PART NO	A	B	C	D	PACKAGE
HDD-2A	34.0	19.3	5.8	25.0	200



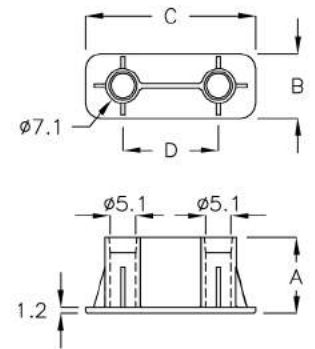
13-57-3



PLUG防塵蓋 PLUG DUST COVER

MATERIAL: PE
COLOR: BLACK

PART NO	A	B	C	D	PACKAGE
HDK-34	15.2	13.0	34.0	19.1	500



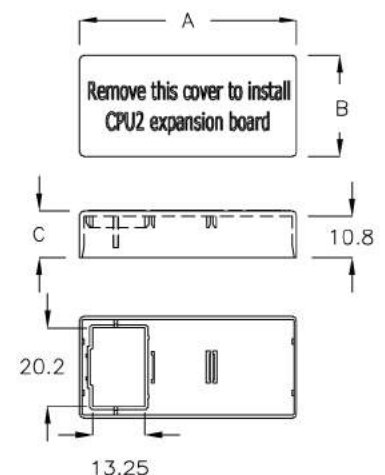
13-57-4



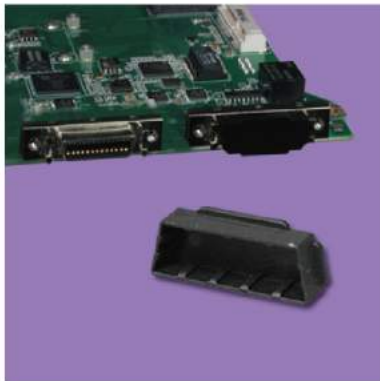
QPI防塵蓋 QPI DUST COVER

MATERIAL: NYLON 66(UL)
FLAME CLASS: 94V-2
COLOR: BLACK

PART NO	A	B	C	PACKAGE
QPI-57A	57.1	26.6	12.3	500



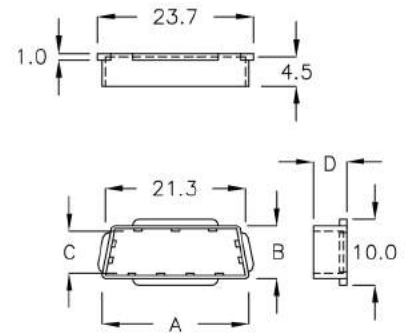
13-58-1



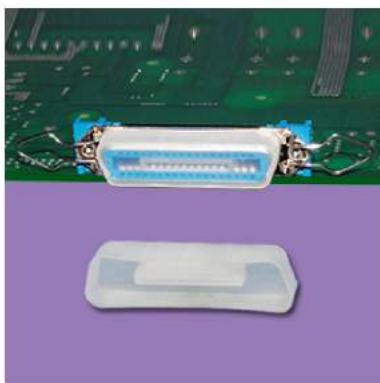
插頭蓋 HOUSING COVER

MATERIAL: NYLON 66(UL)
FLAME CLASS: 94V-2
COLOR: BLACK

PART NO	A	B	C	D	PACKAGE
HC-51	22.3	8.1	6.2	5.0	500



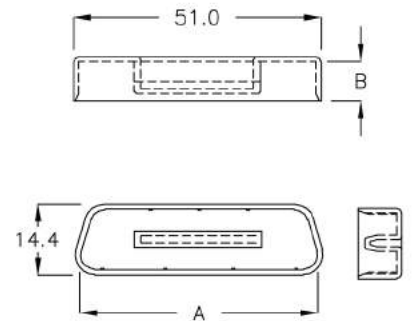
13-58-2



插頭蓋 HOUSING COVER

MATERIAL: PP
COLOR: NATURAL

PART NO	A	B	PACKAGE
HC-049	49.0	8.0	200



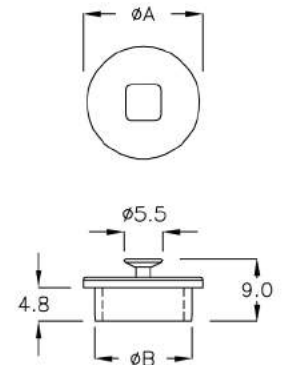
13-58-3



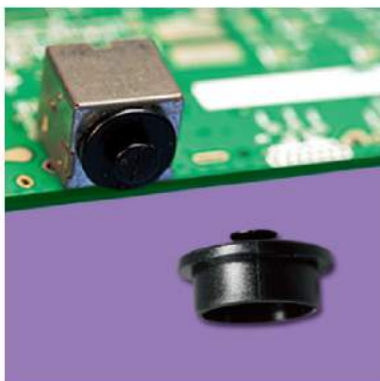
插頭蓋 HOUSING COVER

MATERIAL: PE
COLOR: BLACK

PART NO	A	B	PACKAGE
HC-5C	17.3	14.0	2000



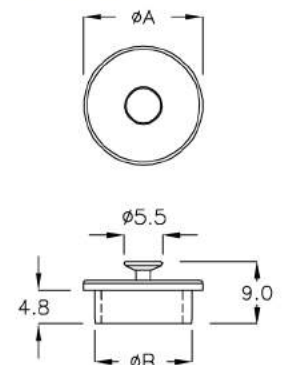
13-58-4



插頭蓋 HOUSING COVER

MATERIAL: PE
COLOR: BLACK

PART NO	A	B	PACKAGE
HC-5D	12.0	9.9	2000



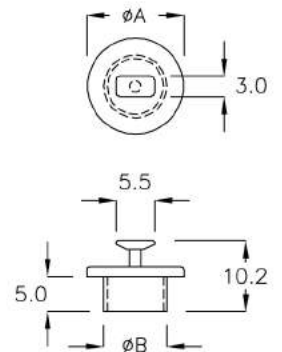
13-59-1



插頭蓋 PS-2 COVER

MATERIAL: PP(UL)
COLOR: BLACK

PART NO	A	B	PACKAGE
HC-5A	14.0	9.1	2000



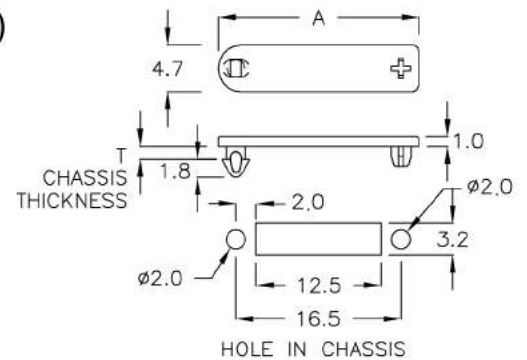
13-59-2



防塵蓋 DUST COVER

MATERIAL: NYLON 66(UL)
FLAME CLASS: 94V-2
COLOR: NATURAL

PART NO	A	T P.C.B. THICKNESS	PACKAGE
HCR-20	20.0	0.8	2000

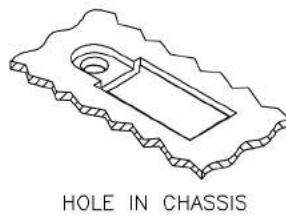


13-59-3

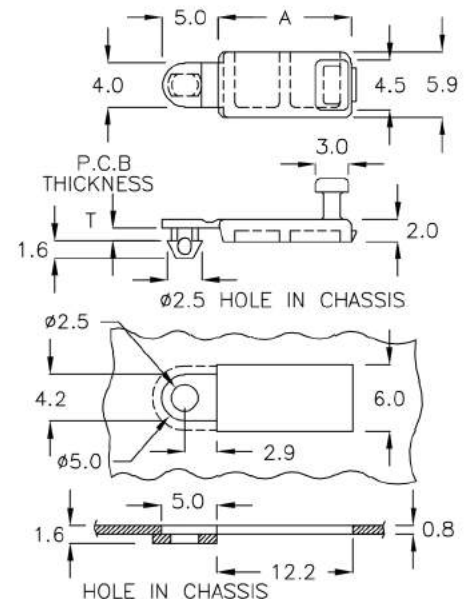


防塵蓋 DUST COVER

MATERIAL: TPR(UL)
FLAME CLASS: 94V-0
COLOR: BLACK



PART NO	A	T P.C.B. THICKNESS	PACKAGE
HCD-01	12.0	0.8	1000

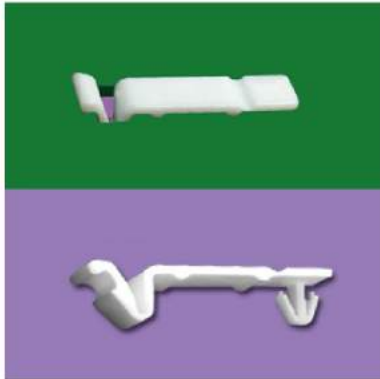
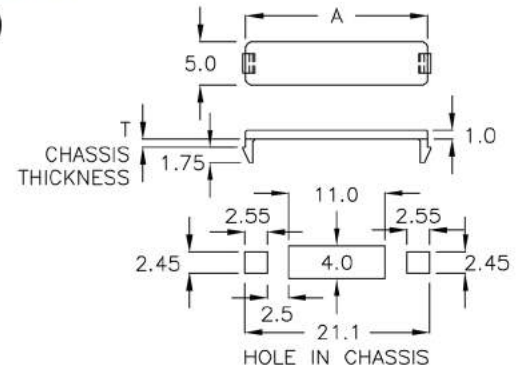




保護蓋 HOLE PROTECT COVER

MATERIAL: NYLON 66(UL)
FLAME CLASS: 94V-2
COLOR: BLACK

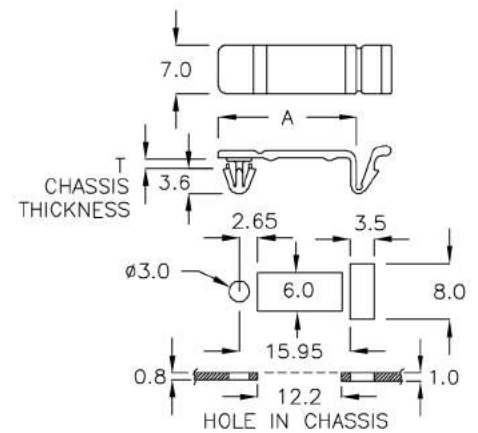
PART NO	A	T CHASSIS THICKNESS	PACKAGE
BHR-21A	20.8	0.8	1000



防塵蓋 DUST COVER

MATERIAL: NYLON 66(UL)
FLAME CLASS: 94V-2
COLOR: NATURAL

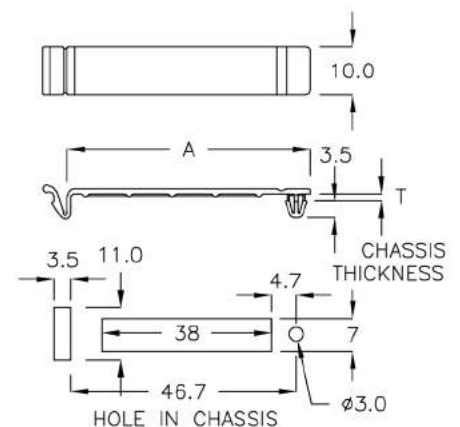
PART NO	A	T CHASSIS THICKNESS	PACKAGE
HCP-24D	19.8	0.8	1000



固定座 MOUNT

MATERIAL: NYLON 66(UL)
FLAME CLASS: 94V-2
COLOR: BLACK

PART NO	A	T CHASSIS THICKNESS	PACKAGE
HCP-55F	50.5	0.8	200



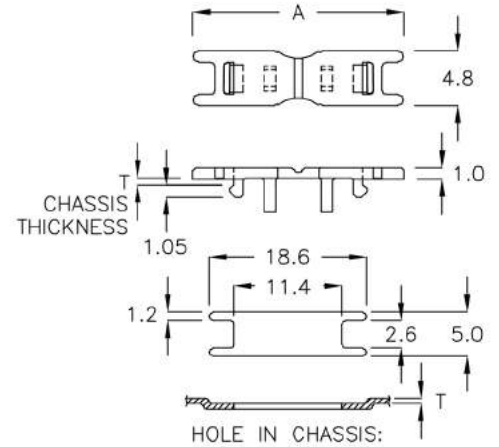
13-61-1



防塵蓋 DUST COVER

MATERIAL: NYLON 66(UL)
FLAME CLASS: 94V-2
COLOR: BLACK

PART NO	A	T CHASSIS THICKNESS	PACKAGE
HCR-18K	18.4	0.8	2000



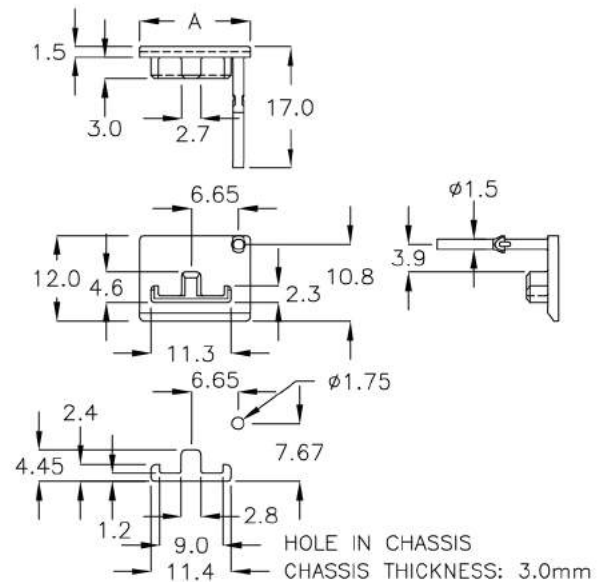
13-61-2



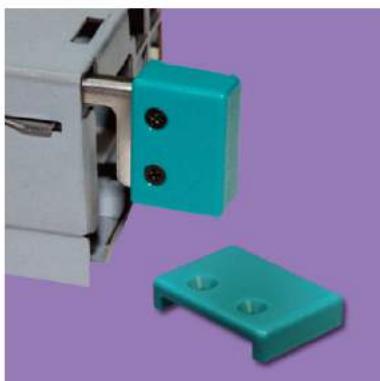
防塵蓋 DUST COVER

MATERIAL: TPE
COLOR: GRAY

PART NO	A	PACKAGE
HCX-15A	15.5	1000



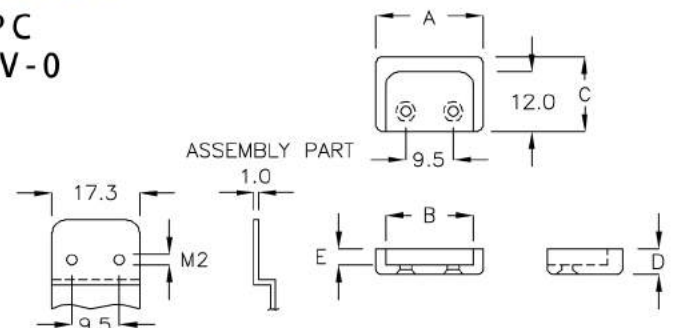
13-61-3



把手蓋 EJECTOR COVER

MATERIAL: ABS+PC
FLAME CLASS: 94V-0
COLOR: GREEN
SCREW: M2x6mm

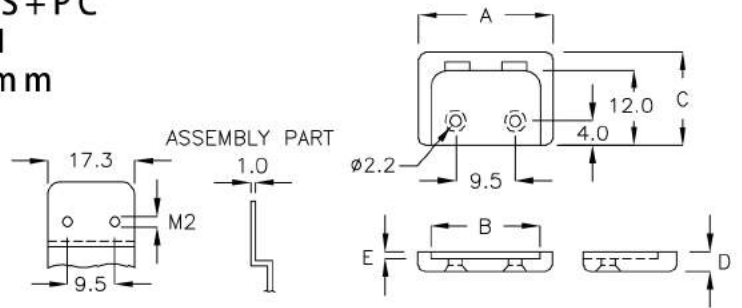
PART NO	A	B	C	D	E	PACKAGE
MHL-21	21.5	17.5	15.0	4.6	2.6	500





把手蓋 EJECTOR COVER

MATERIAL: ABS+PC
 COLOR: GREEN
 SCREW: M2x6mm

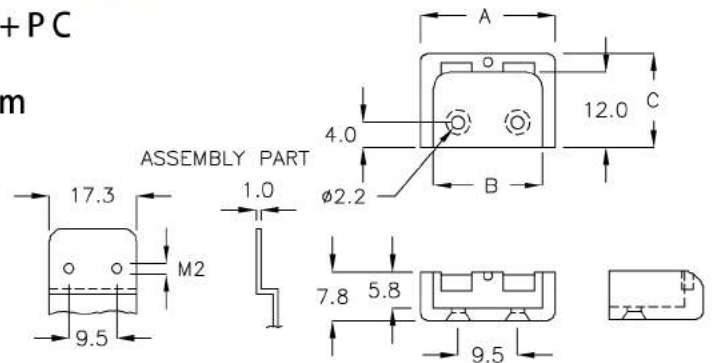


PART NO	A	B	C	D	E	PACKAGE
MHL-03	21.5	17.5	15.0	7.8	5.8	500
MHL-14	21.5	17.5	15.0	3.2	1.2	



把手蓋 EJECTOR COVER

MATERIAL: ABS+PC
 COLOR: GREEN
 SCREW: M2x6mm

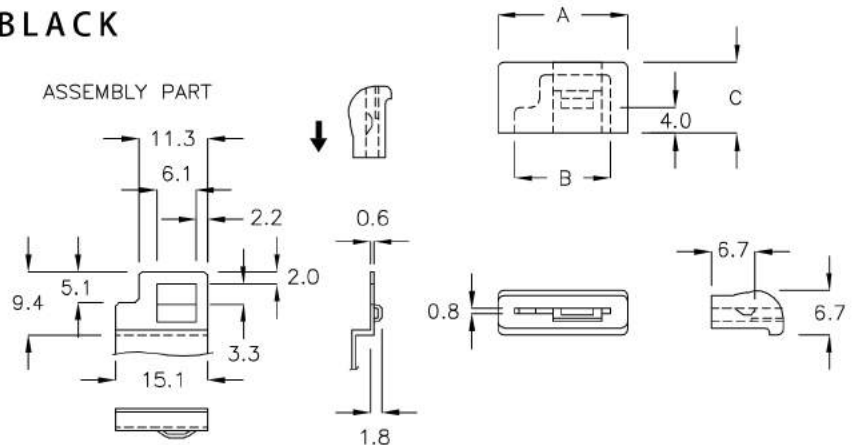


PART NO	A	B	C	PACKAGE
MHL-20	21.5	17.5	15.0	500



把手蓋 EJECTOR COVER

MATERIAL: TPR
 FLAME CLASS: 94V-0
 COLOR: BLACK

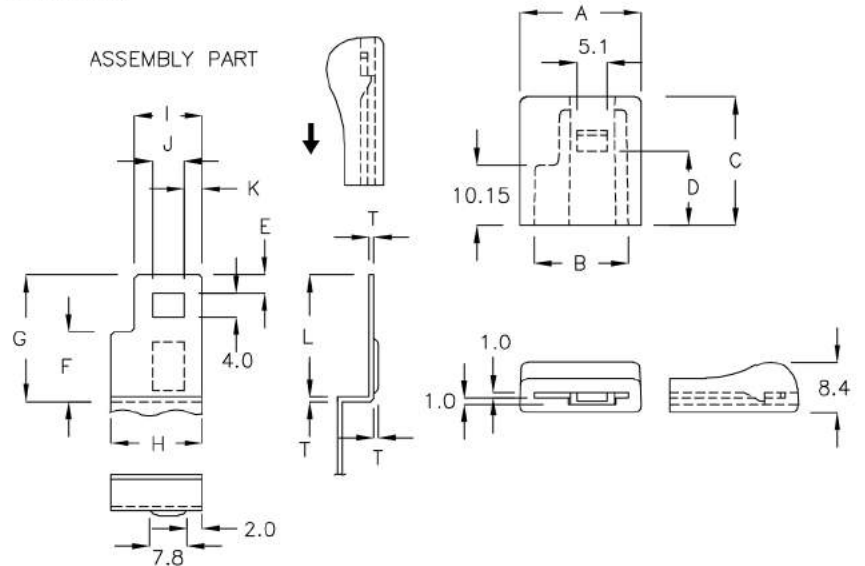


PART NO	A	B	C	PACKAGE
MHL-06	20.0	14.8	11.0	500



把手蓋 EJECTOR COVER

MATERIAL: TPR
FLAME CLASS: 94V-0
COLOR: BLACK

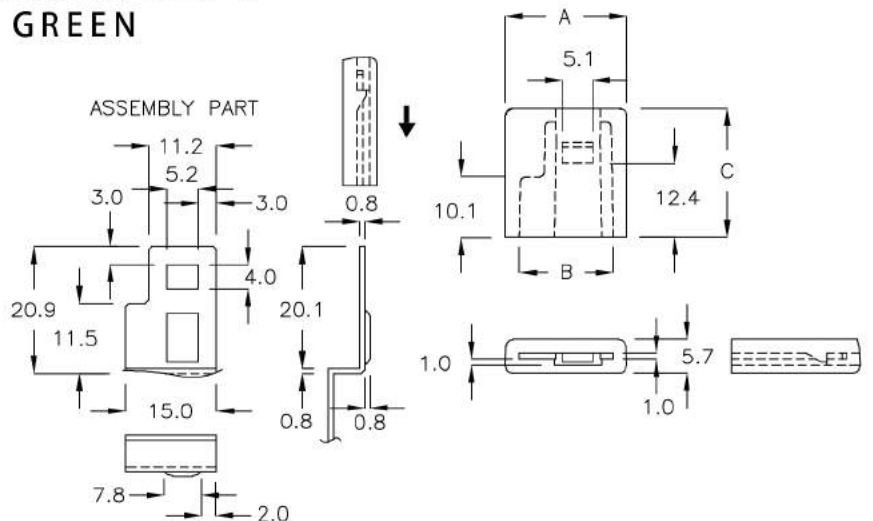


PART NO	A	B	C	D	E	F	G	H	I	J	K	L	T	PACKAGE
MHL-05	20.4	15.7	21.5	12.4	3.0	11.5	20.9	15.0	11.2	5.2	3.0	20.1	0.8	500
MHL-5CN	20.4	15.8	21.5	12.1	3.2	12.6	22.0	15.4	11.4	6.6	2.4	21.0	1.0	
MHL-5DM	20.4	15.4	21.5	12.4	3.0	11.5	20.9	15.0	11.2	5.2	3.0	20.1	0.8	



把手蓋 EJECTOR COVER

MATERIAL: TPR
FLAME CLASS: 94V-0
COLOR: GREEN

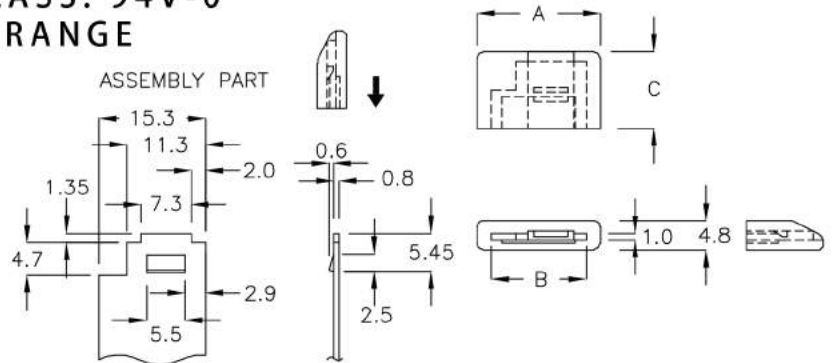


PART NO	A	B	C	PACKAGE
MHL-08	20.3	15.7	21.6	500



把手蓋 EJECTOR COVER

MATERIAL: TPR
FLAME CLASS: 94V-0
COLOR: ORANGE

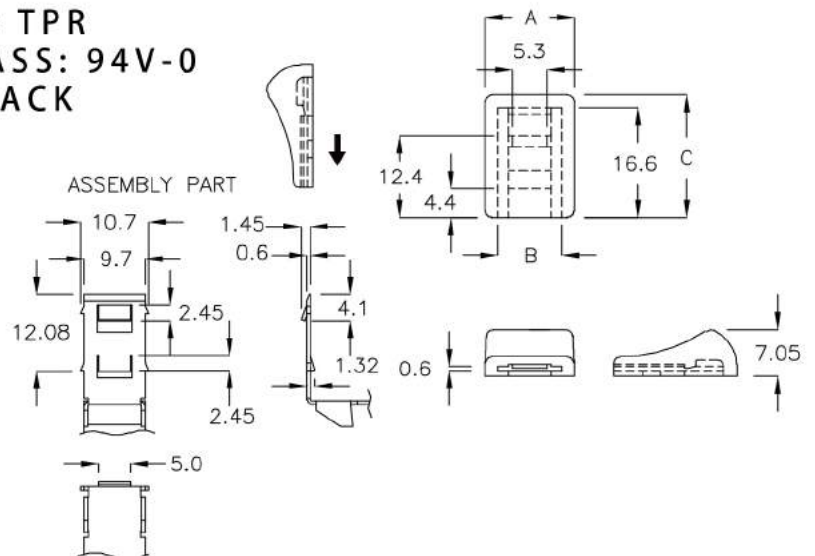


PART NO	A	B	C	PACKAGE
MHL-15	20.0	15.5	12.5	500



把手蓋 EJECTOR COVER

MATERIAL: TPR
FLAME CLASS: 94V-0
COLOR: BLACK

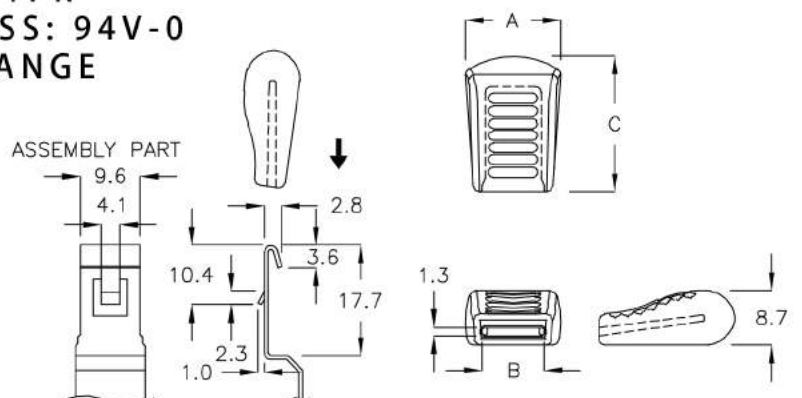


PART NO	A	B	C	PACKAGE
MHL-04	13.5	9.7	18.6	500



把手蓋 EJECTOR COVER

MATERIAL: TPR
FLAME CLASS: 94V-0
COLOR: ORANGE

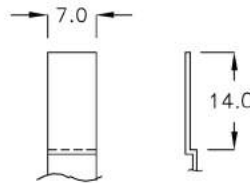


PART NO	A	B	C	PACKAGE
MHL-10	15.0	9.9	21.7	500



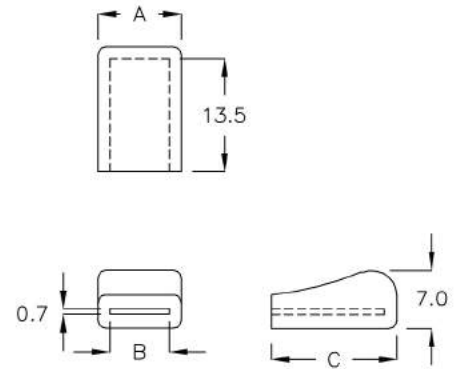
把手蓋 EJECTOR COVER

MATERIAL: TPR
FLAME CLASS: 94V-0
COLOR: BLACK



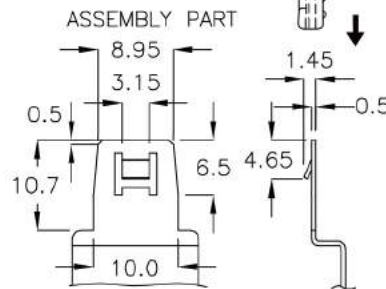
ASSEMBLY PART

PART NO	A	B	C	PACKAGE
MHL-11	10.0	7.1	15.0	2000



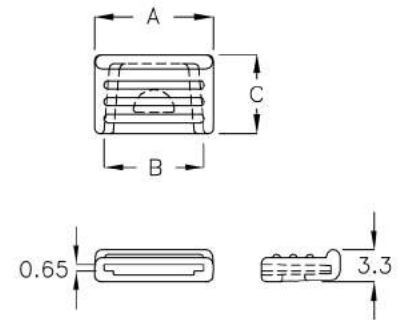
把手蓋 EJECTOR COVER

MATERIAL: ABS+PC
FLAME CLASS: 94V-0
COLOR: BLACK



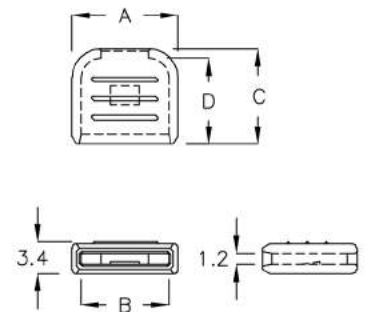
ASSEMBLY PART

PART NO	A	B	C	PACKAGE
MHL-8QM	12.0	9.95	8.0	500

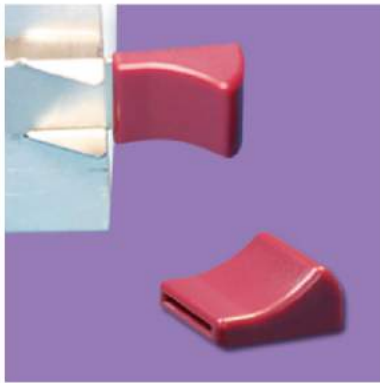


把手蓋 EJECTOR COVER

MATERIAL: ABS+PC
FLAME CLASS: 94V-0
COLOR: BLUE

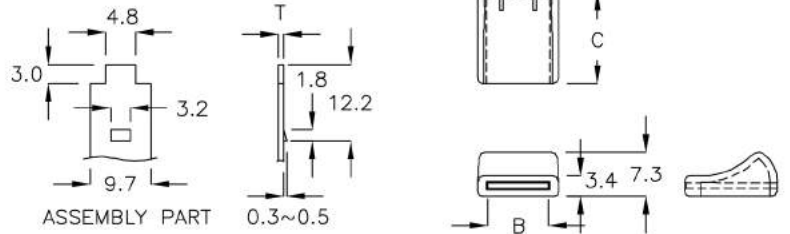


PART NO	A	B	C	D	PACKAGE
MHL-11FT	11.2	9.2	10.0	9.0	1000

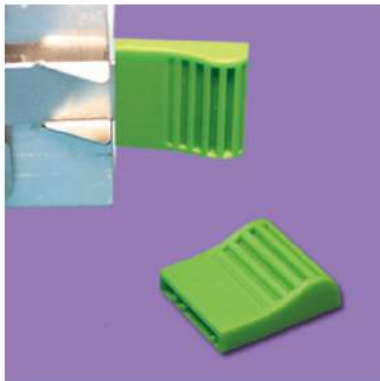


把手蓋 EJECTOR COVER

MATERIAL: ABS+PC
FLAME CLASS: 94V-0
COLOR: BLACK, RED

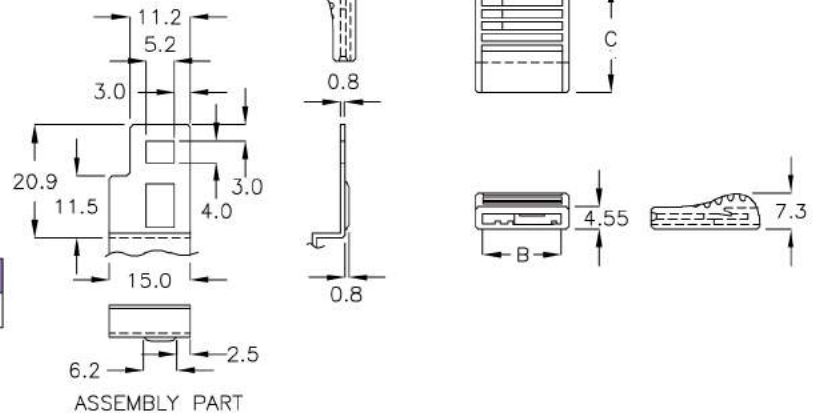


PART NO	A	B	C	T	PACKAGE
MHL-15KD	13.5	10.0	15.2	1.0	1000
MHL-19	13.5	10.0	15.2	0.8	



把手蓋 EJECTOR COVER

MATERIAL: ABS+PC
FLAME CLASS: 94V-0
COLOR: GREEN

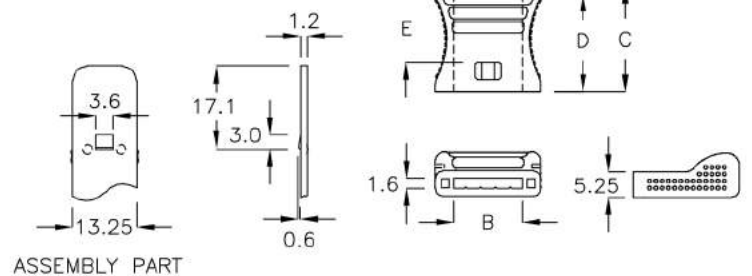


PART NO	A	B	C	PACKAGE
MHL-23	18.7	16.2	21.5	500



把手蓋 EJECTOR COVER

MATERIAL: ABS+PC
FLAME CLASS: 94V-0
COLOR: GRAY

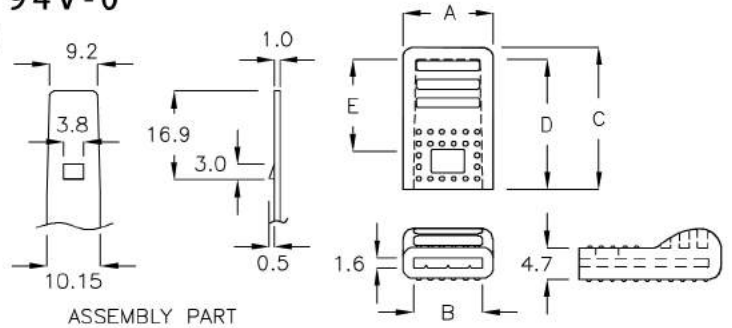


PART NO	A	B	C	D	E	PACKAGE
MHL-21FS	21.6	14.2	21.6	19.8	13.7	500



把手蓋 EJECTOR COVER

MATERIAL: ABS+PC
FLAME CLASS: 94V-0
COLOR: BLACK



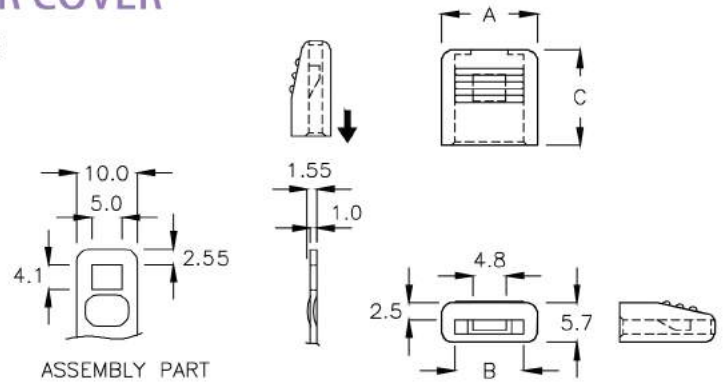
ASSEMBLY PART

PART NO	A	B	C	D	E	PACKAGE
MHL-21KQ	13.7	10.45	21.6	19.7	13.6	500



把手蓋 EJECTOR COVER

MATERIAL: TPE
COLOR: BLACK



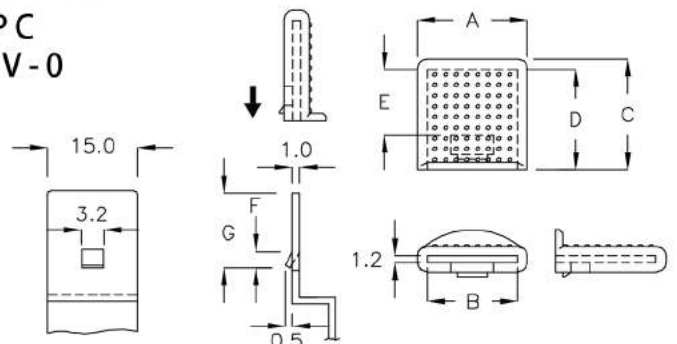
ASSEMBLY PART

PART NO	A	B	C	PACKAGE
MHL-25	14.0	10.0	13.9	1000



把手蓋 EJECTOR COVER

MATERIAL: ABS+PC
FLAME CLASS: 94V-0
COLOR: BLACK



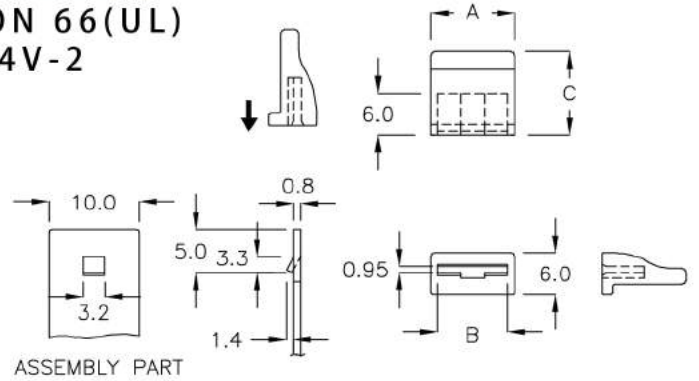
ASSEMBLY PART

PART NO	A	B	C	D	E	F	G	PACKAGE
MHL-13	18.3	15.1	18.5	16.7	11.2	3.0	14.0	500
MHL-13A	18.3	15.2	18.5	17.2	10.9	3.3	14.5	



把手蓋 EJECTOR COVER

MATERIAL: NYLON 66(UL)
FLAME CLASS: 94V-2
COLOR: BLACK

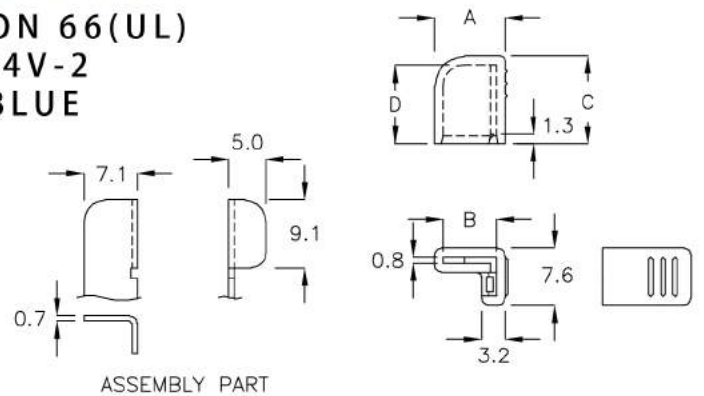


PART NO	A	B	C	PACKAGE
MHL-12	12.0	10.0	12.0	500



把手蓋 EJECTOR COVER

MATERIAL: NYLON 66(UL)
FLAME CLASS: 94V-2
COLOR: BLACK, BLUE

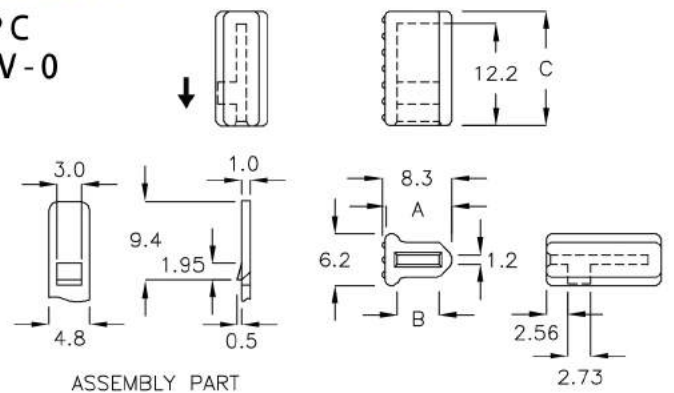


PART NO	A	B	C	D	PACKAGE
MHL-16	9.5	7.1	11.7	10.5	500

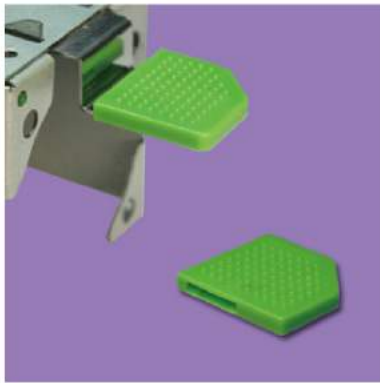


把手蓋 EJECTOR COVER

MATERIAL: ABS+PC
FLAME CLASS: 94V-0
COLOR: RED

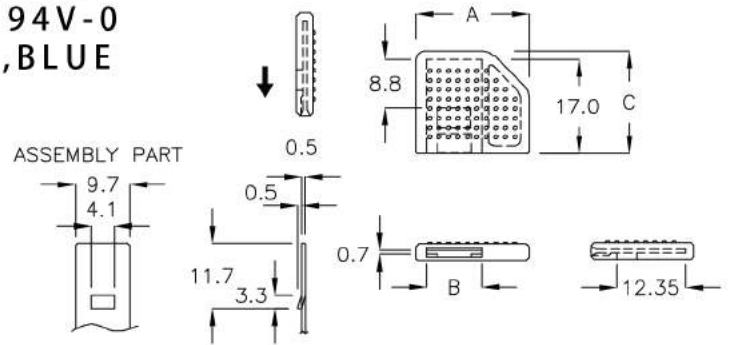


PART NO	A	B	C	PACKAGE
MHL-17	8.0	5.0	13.7	500



把手蓋 EJECTOR COVER

MATERIAL: ABS+PC
FLAME CLASS: 94V-0
COLOR: GREEN, BLUE

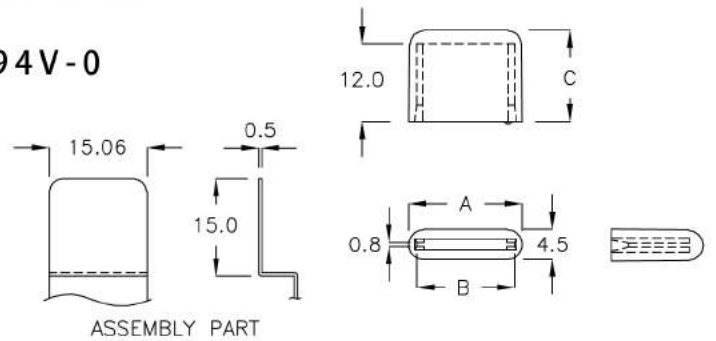


PART NO	A	B	C	PACKAGE
MHL-18FR	20.4	9.9	18.5	500



把手蓋 EJECTOR COVER

MATERIAL: PP
FLAME CLASS: 94V-0
COLOR: GRAY

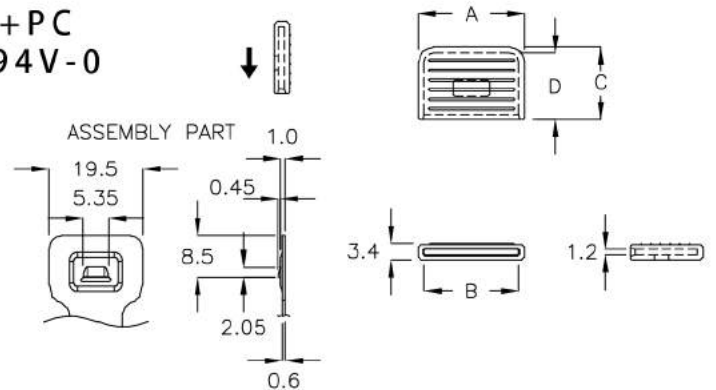


PART NO	A	B	C	PACKAGE
MHL-18	17.6	15.0	14.0	1000

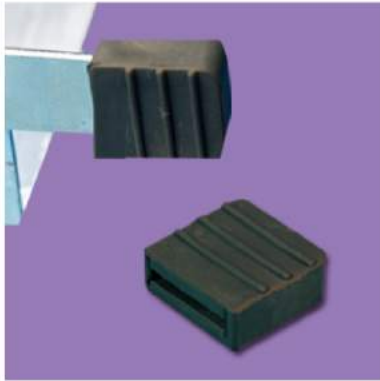


把手蓋 EJECTOR COVER

MATERIAL: ABS+PC
FLAME CLASS: 94V-0
COLOR: BLUE

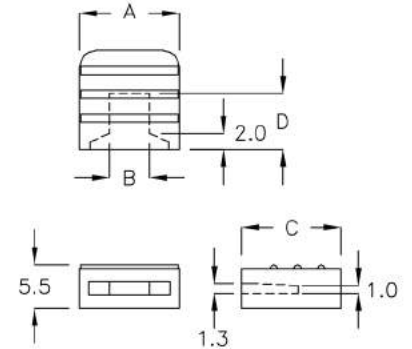
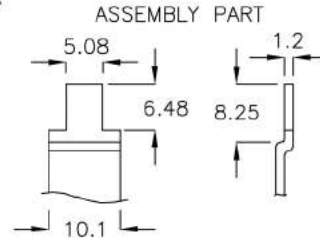


PART NO	A	B	C	D	PACKAGE
MHL-19TD	22.0	19.6	15.0	13.8	1000



把手蓋 EJECTOR COVER

MATERIAL: TPR
FLAME CLASS: 94V-0
COLOR: BLACK

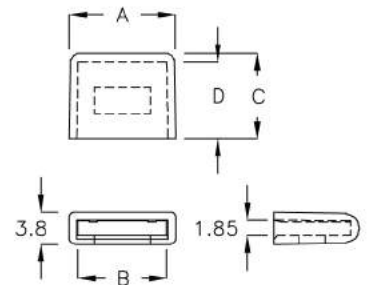
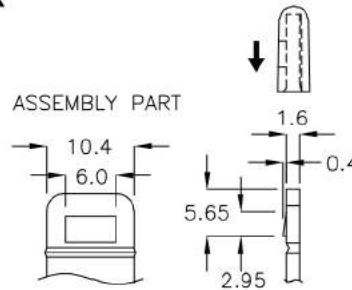


PART NO	A	B	C	D	PACKAGE
MHL-22	12.7	4.8	12.5	7.1	1000



把手蓋 EJECTOR COVER

MATERIAL: NYLON 66(UL)
FLAME CLASS: 94V-2
COLOR: BLACK

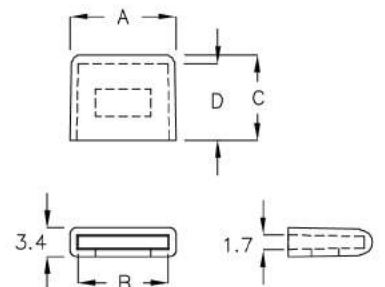
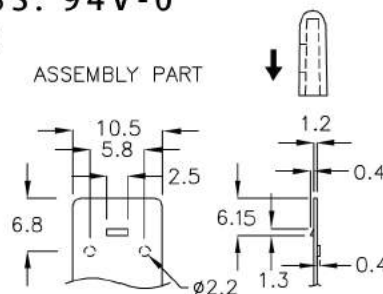


PART NO	A	B	C	D	PACKAGE
MHL-12YW	12.7	10.8	10.15	9.05	500



把手蓋 EJECTOR COVER

MATERIAL: ABS+PC
FLAME CLASS: 94V-0
COLOR: RED



PART NO	A	B	C	D	PACKAGE
MHL-24	12.7	10.7	10.1	9.1	1000



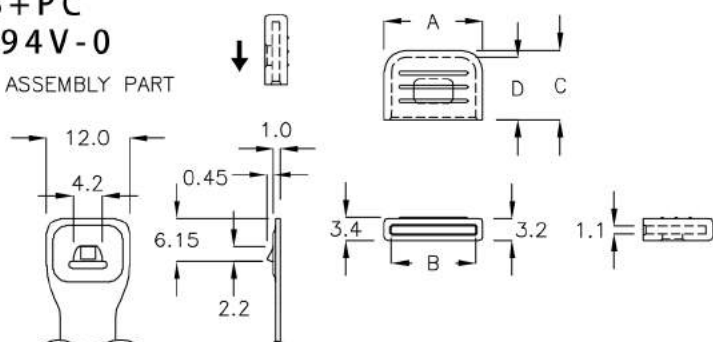
把手蓋 EJECTOR COVER

MATERIAL: ABS+PC

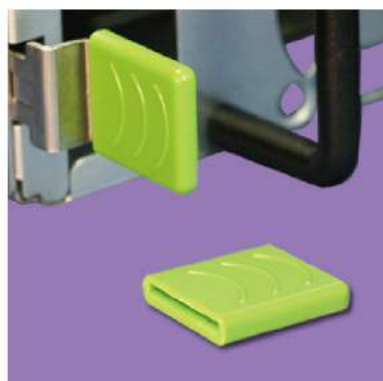
FLAME CLASS: 94V-0

COLOR: BLUE

ASSEMBLY PART



PART NO	A	B	C	D	PACKAGE
MHL-14JP	14.2	12.1	10.0	9.0	500



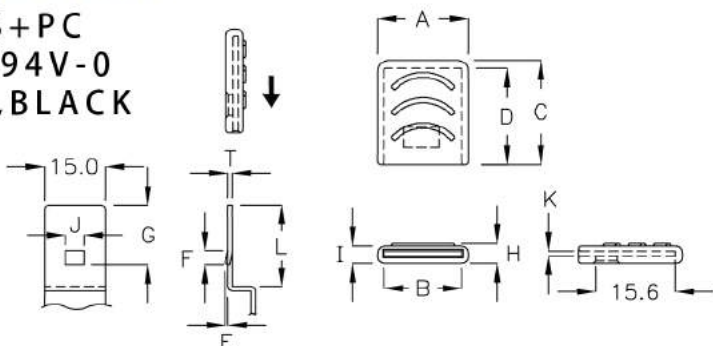
把手蓋 EJECTOR COVER

MATERIAL: ABS+PC

FLAME CLASS: 94V-0

COLOR: GREEN, BLACK

ASSEMBLY PART



PART NO	A	B	C	D	E	F	G	H	I	J	K	L	T	PACKAGE
MHL-24QM	18.0	15.3	20.5	19.0	0.5	3.5	15.2	4.0	3.7	4.7	1.2	20.1	1.0	500
MHL-24RK	18.0	15.3	20.5	19.0	0.5	3.4	15.4	4.5	4.0	4.1	1.0	20.3	0.8	
MHL-24SY	18.3	15.1	20.7	19.1	0.5	3.4	15.4	4.6	4.1	4.1	1.05	20.3	0.8	
★ MHL-24TL	18.0	15.3	20.5	19.0	0.7	3.6	15.6	4.7	4.2	3.5	1.2	20.0	1.0	

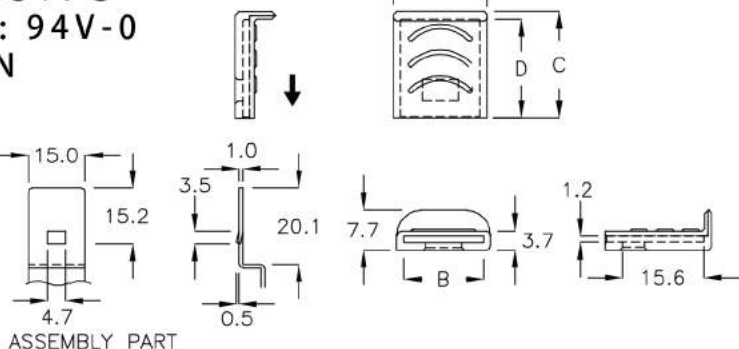


把手蓋 EJECTOR COVER

MATERIAL: ABS+PC

FLAME CLASS: 94V-0

COLOR: GREEN

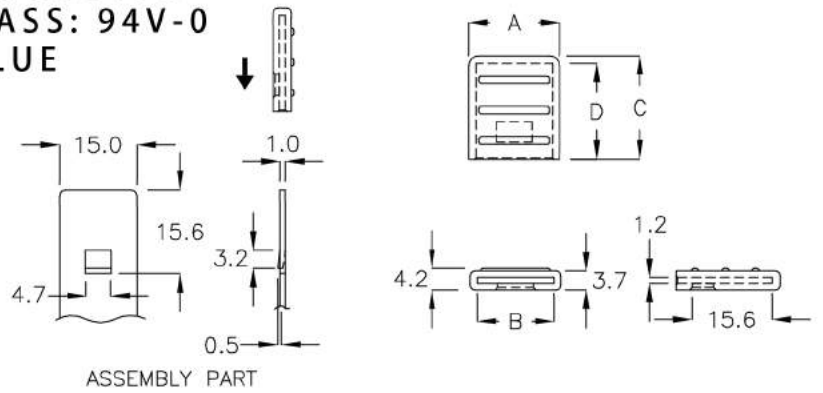


PART NO	A	B	C	D	PACKAGE
MHL-18CL	18.0	15.3	20.5	19.0	500



把手蓋 EJECTOR COVER

MATERIAL: ABS+PC
FLAME CLASS: 94V-0
COLOR: BLUE



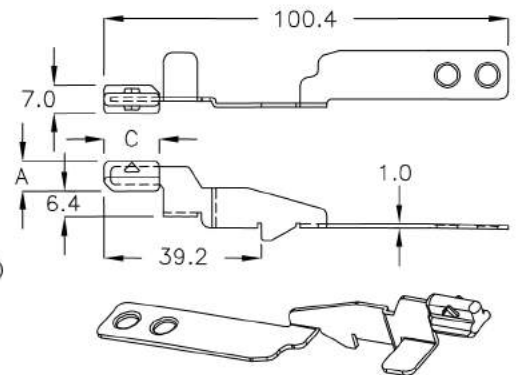
PART NO	A	B	C	D	PACKAGE
MHL-18DF	18.0	15.2	20.5	19.0	500



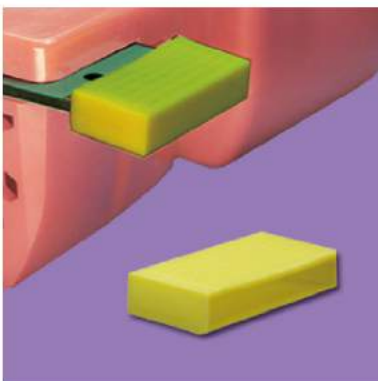
把手蓋 EJECTOR COVER

MATERIAL: ABS+PC
FLAME CLASS: 94V-0
COLOR: GREEN
MATERIAL: SUS301
COLOR: NATURAL

鐵件為客戶提供，我司協助包埋射出。
(此為客制品，歡迎提供鐵件，我司協助包埋)

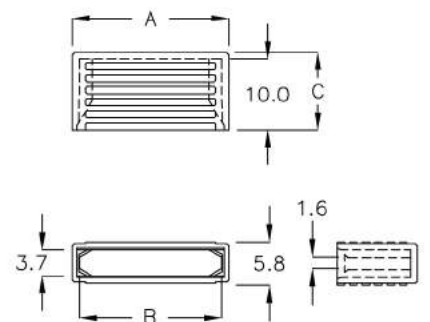


PART NO	A	C	PACKAGE
MHLA-14GP	7.5	13.7	50



防塵蓋 DUST COVER

MATERIAL: PE
COLOR: YELLOW



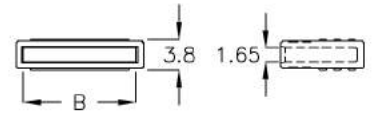
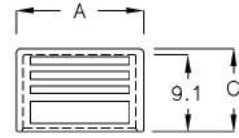
PART NO	A	B	C	PACKAGE
HCS-22	22.0	20.0	10.9	1000

13-73-1



防塵蓋 DUST COVER

MATERIAL: PE
COLOR: NATURAL



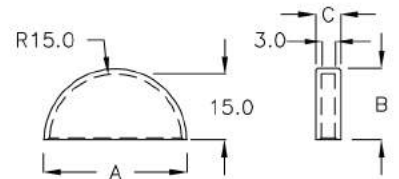
PART NO	A	B	C	PACKAGE
HCS-15KN	15.3	13.5	10.0	1000

13-73-2



保護蓋 PROTECT COVER

MATERIAL: PE
COLOR: BLACK



PART NO	A	B	C	PACKAGE
HDT-30	32.6	16.3	5.6	200

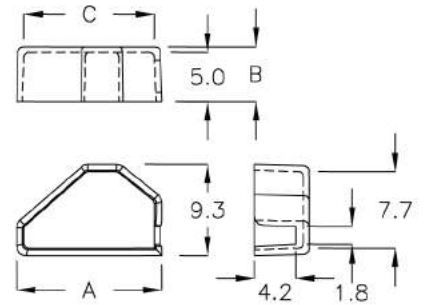
13-73-3



保護罩 INSULATION CAP

MATERIAL: NYLON 66(UL)
FLAME CLASS: 94V-0
COLOR: BLACK

NEW



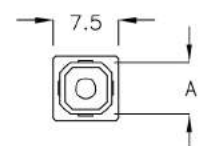
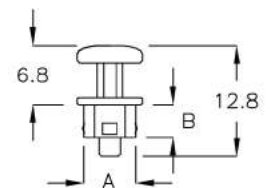
PART NO	A	B	C	PACKAGE
★ HDQ-5C	14.8	5.6	13.3	1000

13-73-4



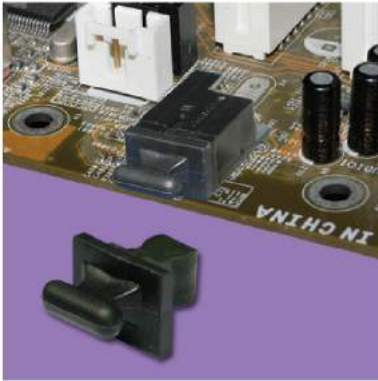
光纖插頭蓋 TRANSPORTER COVER

MATERIAL: NYLON 66(UL)
FLAME CLASS: 94V-2
COLOR: BLACK



PART NO	A	B	PACKAGE
HF-01	6.0	3.8	500

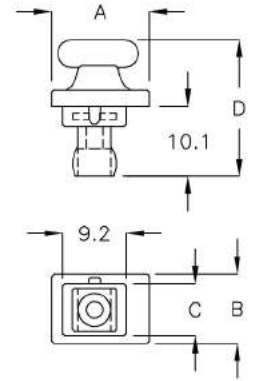
13-74-1



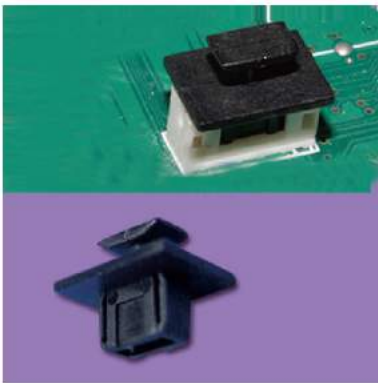
光纖插頭蓋 TRANSPORTER COVER

MATERIAL: TPE
COLOR: BLACK

PART NO	A	B	C	D	PACKAGE
HFK-01	14.1	10.0	7.5	19.6	500



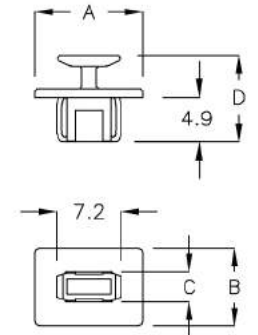
13-74-2



插頭蓋 COVER

MATERIAL: NYLON 66(UL)
FLAME CLASS: 94V-2
COLOR: BLACK

PART NO	A	B	C	D	PACKAGE
HCK-7A	12.0	8.6	3.3	9.6	500



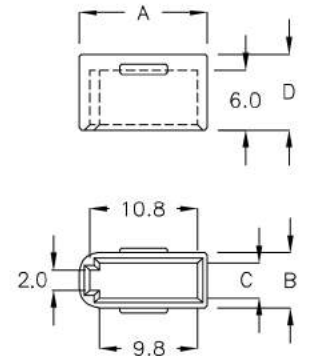
13-74-3



插頭蓋 SATA DUST COVER

MATERIAL: PE
COLOR: NATURAL

PART NO	A	B	C	D	PACKAGE
HTA-10A	12.8	5.5	3.4	7.6	1000



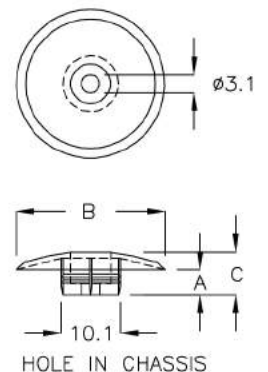
13-74-4



固定座 MOUNT

MATERIAL: NYLON 66(UL)
FLAME CLASS: 94V-2
COLOR: BLACK

PART NO	A	φB	C	PACKAGE
PEB-01	4.3	25.3	7.3	1000

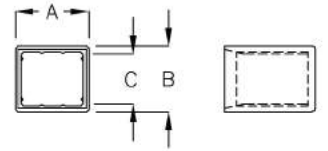
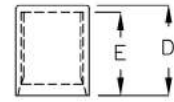
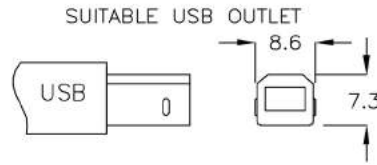


13-75-1



USB插頭蓋 USB COVER

MATERIAL: PP
COLOR: NATURAL



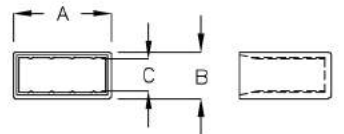
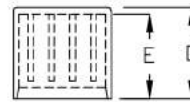
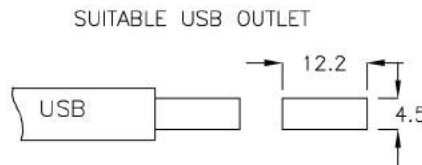
PART NO	A	B	C	D	E	PACKAGE
USB-01	10.6	9.5	7.35	13.0	12.0	1000

13-75-2



USB插頭蓋 USB COVER

MATERIAL: PP
COLOR: NATURAL



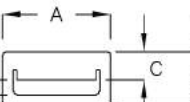
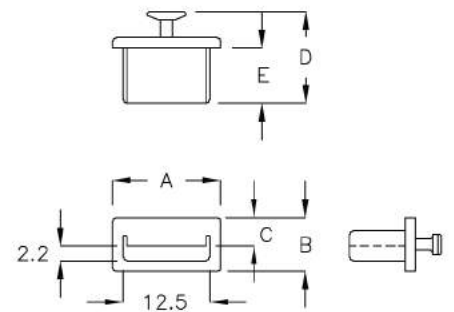
PART NO	A	B	C	D	E	PACKAGE
USB-02	14.15	6.8	4.55	13.2	12.2	1000

13-75-3



USB插頭蓋 USB COVER

MATERIAL: PP
COLOR: BLACK



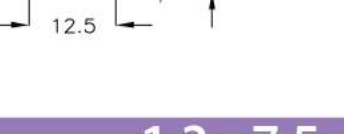
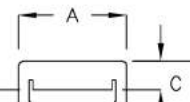
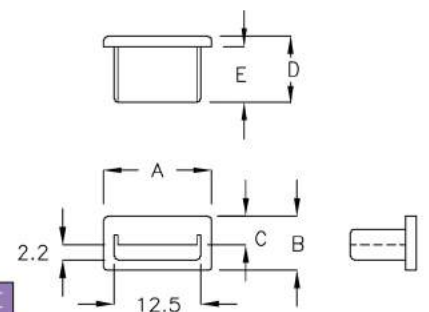
PART NO	A	B	C	D	E	PACKAGE
USB-03	15.5	7.8	4.1	13.2	8.0	1000

13-75-4



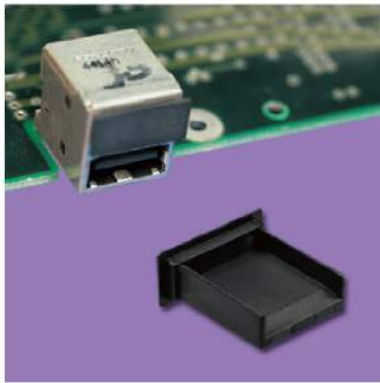
USB插頭蓋 USB COVER

MATERIAL: PP
COLOR: NATURAL, BLACK



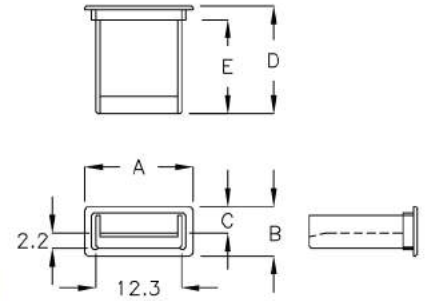
PART NO	A	B	C	D	E	PACKAGE
USB-3A	15.5	7.8	4.1	9.5	8.0	500

13-76-1



USB插頭蓋 USB COVER

MATERIAL: PP
COLOR: NATURAL, BLACK



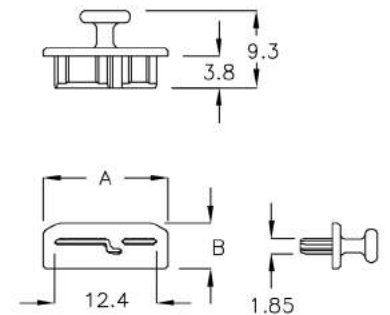
PART NO	A	B	C	D	E	PACKAGE
USB-3FK	15.6	7.2	3.85	15.5	13.5	500

13-76-2



USB 3.0插頭蓋 MICRO USB 3.0 COVER

MATERIAL: NYLON 66(UL)
FLAME CLASS: 94V-2
COLOR: NATURAL, BLACK



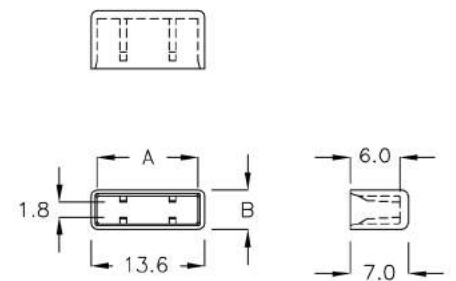
PART NO	A	B	PACKAGE
USB-3HQ	15.0	5.5	500

13-76-3



USB 3.0插頭蓋 MICRO USB 3.0 COVER

MATERIAL: NYLON 66(UL)
FLAME CLASS: 94V-2
COLOR: NATURAL



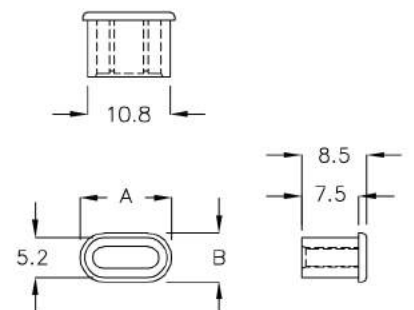
PART NO	A	B	PACKAGE
USB-3RT	12.1	4.8	500

13-76-4

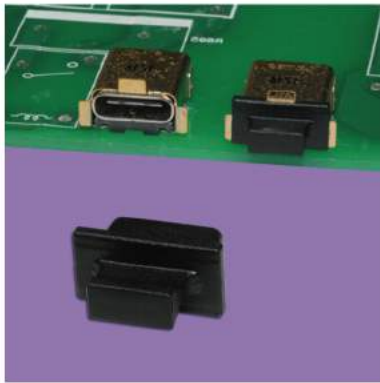


TYPE-C 插頭蓋 TYPE-C COVER

MATERIAL: NYLON 66(UL)
FLAME CLASS: 94V-2
COLOR: NATURAL

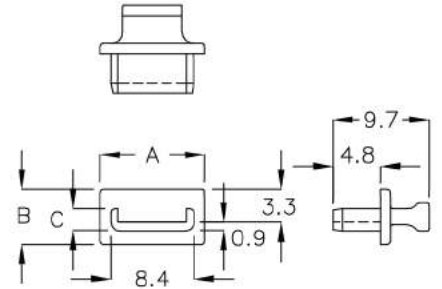


PART NO	A	B	PACKAGE
USB-3WP	12.0	6.4	500

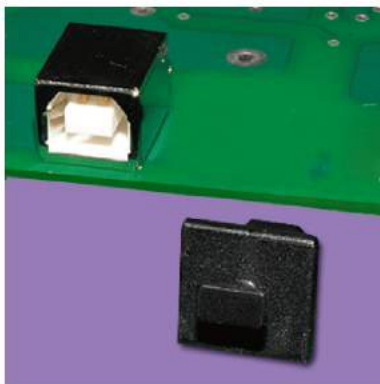


TYPE-C插頭蓋 TYPE-C COVER

MATERIAL: PE
COLOR: BLACK

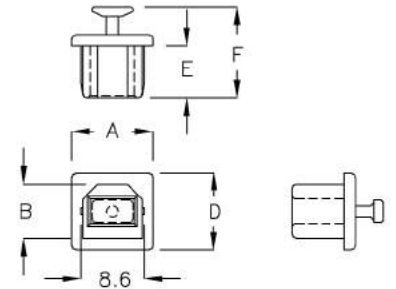


PART NO	A	B	C	PACKAGE
USB-3GT	10.5	5.5	2.3	2000

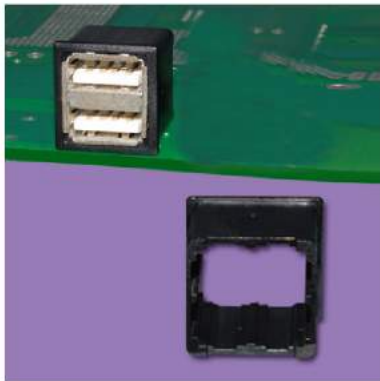


USB1394插頭蓋 USB COVER

MATERIAL: NYLON 66(UL)
FLAME CLASS: 94V-2
COLOR: BLACK

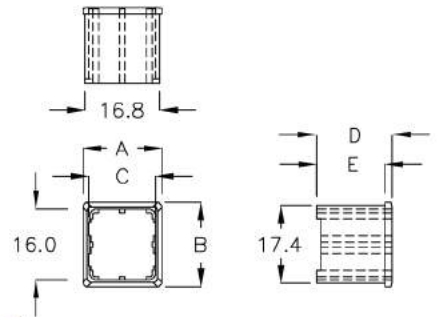


PART NO	A	B	D	E	F	PACKAGE
USB-04	11.0	7.3	10.3	7.0	12.2	1000



USB插頭蓋 USB COVER

MATERIAL: ABS(UL)
FLAME CLASS: 94V-0
COLOR: BLACK

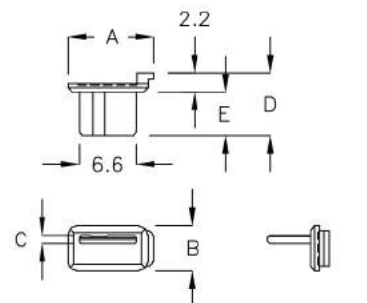


PART NO	A	B	C	D	E	PACKAGE
USB-05	17.8	19.0	15.0	17.0	15.5	500



MINI USB插頭蓋 USB COVER

MATERIAL: PE
COLOR: BLACK



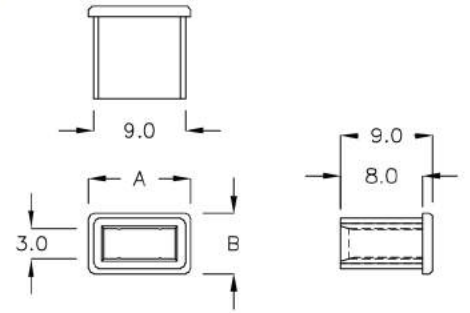
PART NO	A	B	C	D	E	PACKAGE
USB-06	9.5	4.8	1.0	7.2	5.0	1000

13-78-1



MINI USB插頭蓋 USB COVER

MATERIAL: NYLON 66(UL)
FLAME CLASS: 94V-2
COLOR: NATURAL, BLACK



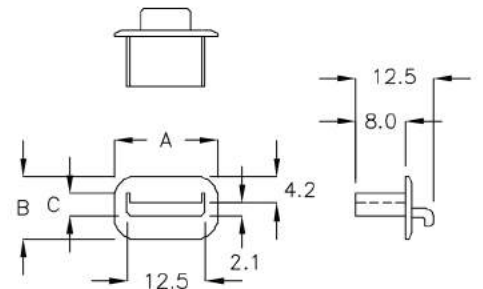
PART NO	A	B	PACKAGE
USB-9MT	10.0	6.0	1000

13-78-2



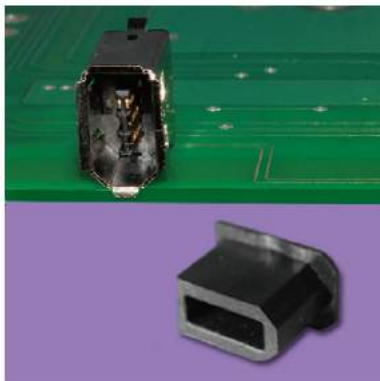
USB插頭蓋 USB COVER

MATERIAL: PP
COLOR: BLACK



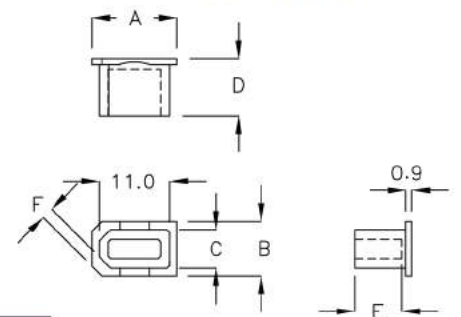
PART NO	A	B	C	PACKAGE
USB-07	16.5	10.0	3.7	2000

13-78-3



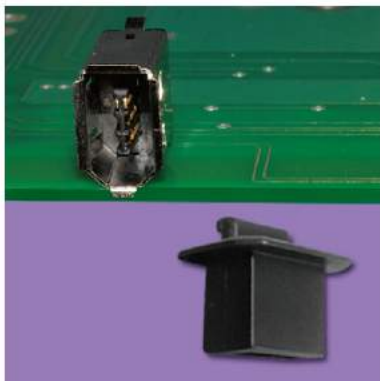
USB1394保護蓋 USB COVER

MATERIAL: PE
COLOR: BLACK



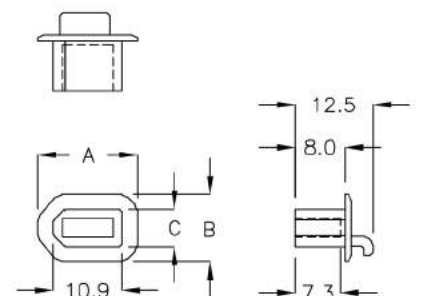
PART NO	A	B	C	D	E	F	PACKAGE
USF-01	13.2	8.5	6.0	8.9	7.3	1.8	2000
USF-02	13.2	8.5	6.0	8.9	7.3	1.0	

13-78-4



USB1394保護蓋 USB COVER

MATERIAL: PP
COLOR: BLACK



PART NO	A	B	C	PACKAGE
USF-03	16.0	10.8	6.0	2000

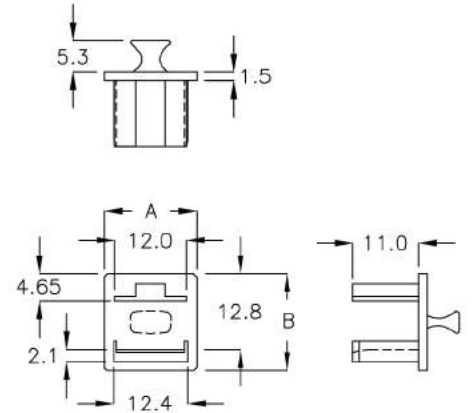
13-79-1



USB保護蓋 USB COVER

MATERIAL: NYLON 66(UL)
FLAME CLASS: 94V-2
COLOR: BLACK

PART NO	A	B	PACKAGE
USJ-2JM	15.6	16.3	500



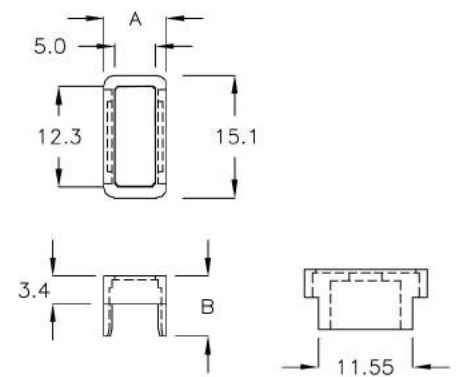
13-79-2



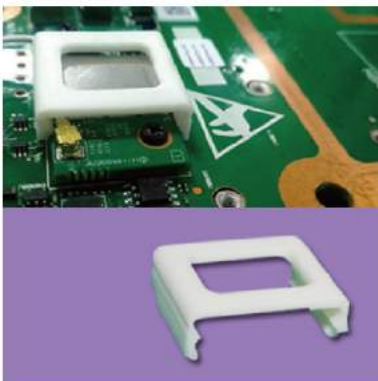
USB保護蓋 USB COVER

MATERIAL: PP
COLOR: BLACK

PART NO	A	B	PACKAGE
USQ-15C	7.7	7.4	500



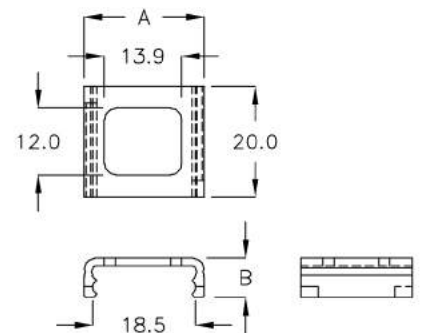
13-79-3



保護蓋 GPS COVER

MATERIAL: NYLON 66(UL)
FLAME CLASS: 94V-0
COLOR: NATURAL

PART NO	A	B	PACKAGE
LHZ-21K	21.5	7.17	500



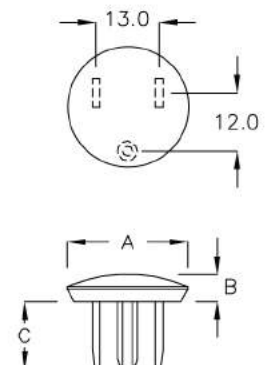
13-79-4



電源插座保護蓋 SOCKET COVER

MATERIAL: ABS(UL)
FLAME CLASS: 94V-0
COLOR: NATURAL

PART NO	A	B	C	PACKAGE
HDB-01	∅25.0	5.5	14.0	200



13-80-1

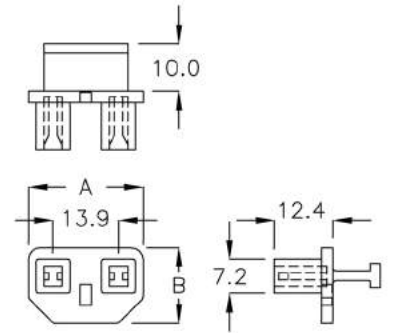


電源插座防塵蓋 DUST COVER

MATERIAL: TPE(UL)
FLAME CLASS: 94V-0
COLOR: BLACK

NEW

PART NO	A	B	PACKAGE
★ HDY-16A	24.3	16.0	500



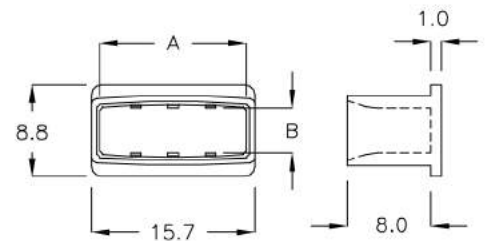
13-80-2



HDMI插頭蓋 HDMI COVER

MATERIAL: NYLON 66(UL)
FLAME CLASS: 94V-2
COLOR: NATURAL

PART NO	A	B	PACKAGE
DMI-01	14.2	4.2	500



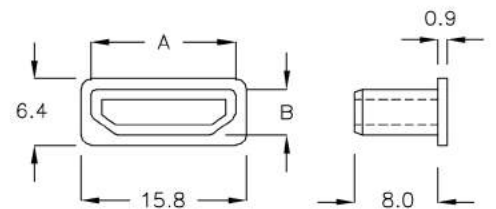
13-80-3



HDMI插頭蓋 HDMI COVER

MATERIAL: NYLON 66(UL)
FLAME CLASS: 94V-2
COLOR: NATURAL

PART NO	A	B	PACKAGE
DMI-02	13.8	4.4	1000



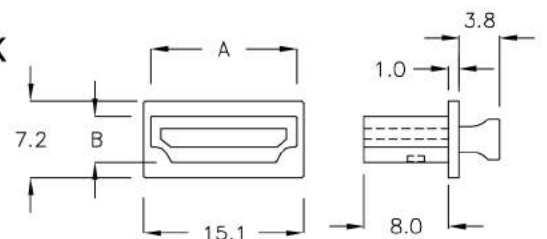
13-80-4

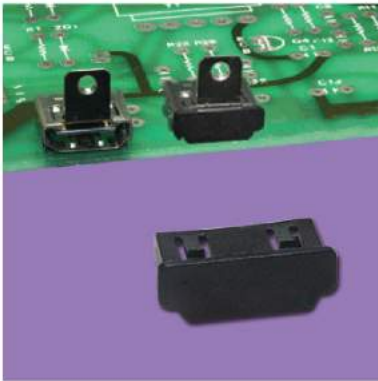


HDMI插頭蓋 HDMI COVER

MATERIAL: PE
COLOR: NATURAL, BLACK

PART NO	A	B	PACKAGE
DMI-2C	13.8	4.4	1000



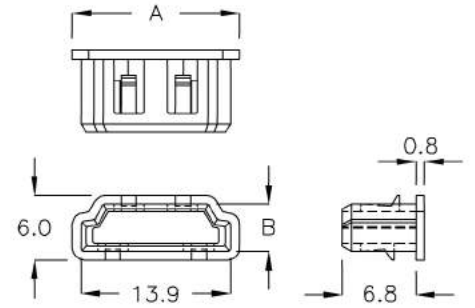


HDMI插頭蓋 HDMI COVER

MATERIAL: NYLON 66(UL)
FLAME CLASS: 94V-2
COLOR: BLACK

NEW

PART NO	A	B	PACKAGE
★ DMI-2TA	15.5	4.4	1000

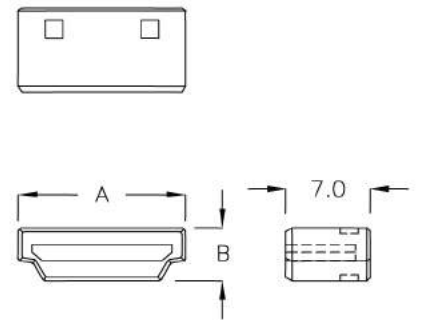


HDMI插頭蓋 HDMI COVER

MATERIAL: PP
COLOR: BLACK

NEW

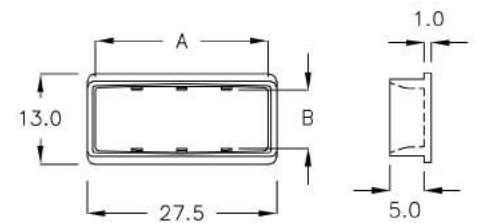
PART NO	A	B	PACKAGE
★ DMI-3K	13.9	4.4	1000



DVI插頭蓋 DVI COVER

MATERIAL: NYLON 66(UL)
FLAME CLASS: 94V-2
COLOR: NATURAL

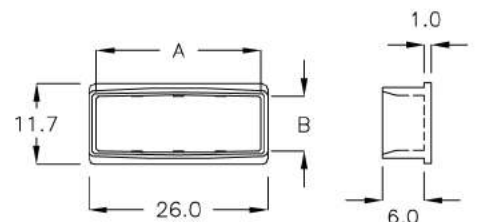
PART NO	A	B	PACKAGE
DVI-01	25.1	8.5	500



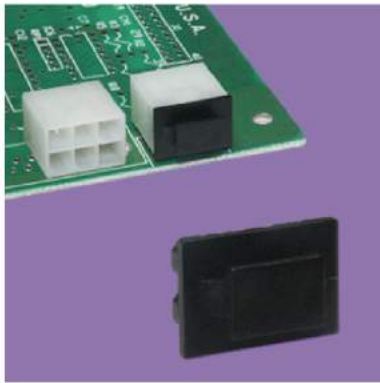
DVI插頭蓋 DVI COVER

MATERIAL: NYLON 66(UL)
FLAME CLASS: 94V-2
COLOR: NATURAL

PART NO	A	B	PACKAGE
DVI-02	23.9	8.0	500

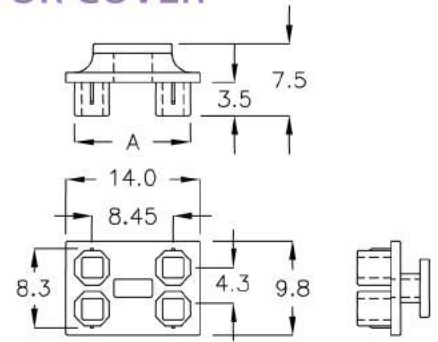


13-82-1



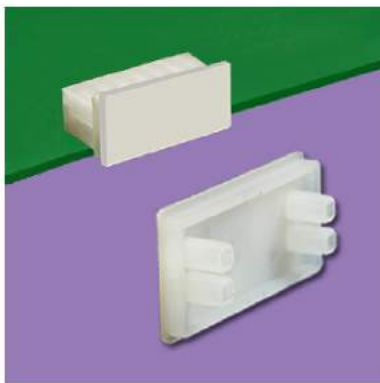
電源連接座插頭蓋 CONNECTOR COVER

MATERIAL: PP
COLOR: BLACK



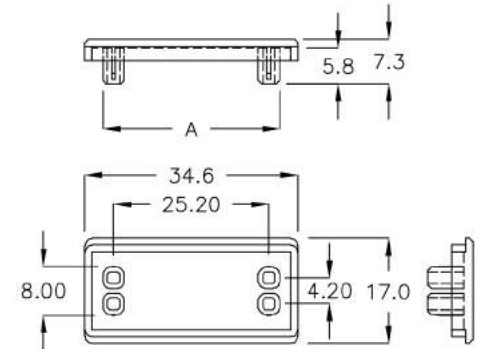
PART NO	A	PACKAGE
NES-14A	12.04	500

13-82-2



電源連接座插頭蓋 CONNECTOR COVER

MATERIAL: NYLON 66(UL)
FLAME CLASS: 94V-2
COLOR: NATURAL



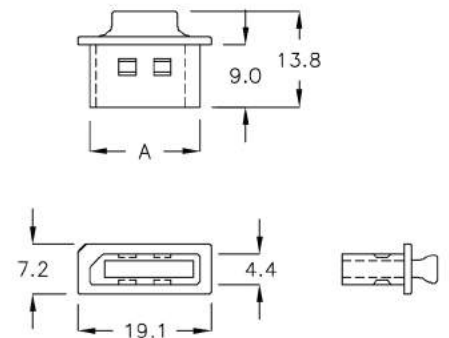
PART NO	A	PACKAGE
NEQ-34K	28.7	500

13-82-3



DP 防塵蓋 DP COVER

MATERIAL: PE
COLOR: NATURAL



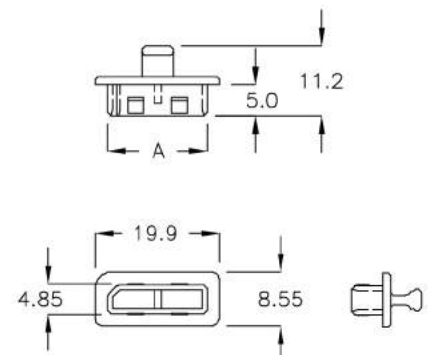
PART NO	A	PACKAGE
DP-2KT	15.9	1000

13-82-4



連接器防塵蓋 DP COVER

MATERIAL: NYLON 66(UL)
FLAME CLASS: 94V-2
COLOR: BLACK

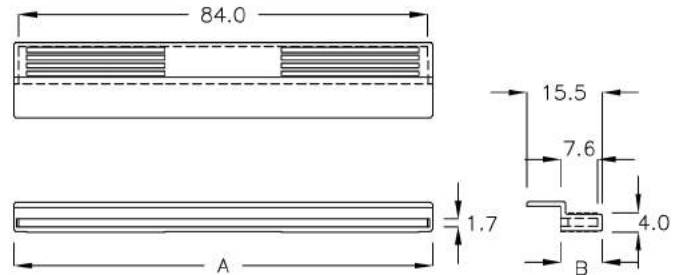


PART NO	A	PACKAGE
DP-01	15.9	1000

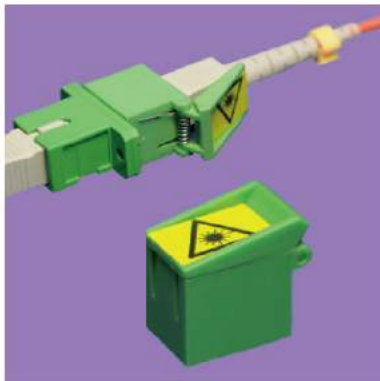


PCIE防塵蓋 PCI EXPRESSx16 COVER

MATERIAL: PE
COLOR: NATURAL

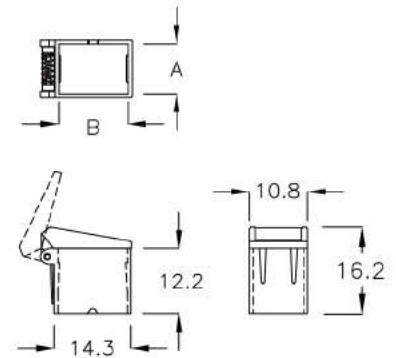


PART NO	A	B	PACKAGE
HCS-86FQ	86.0	8.5	200

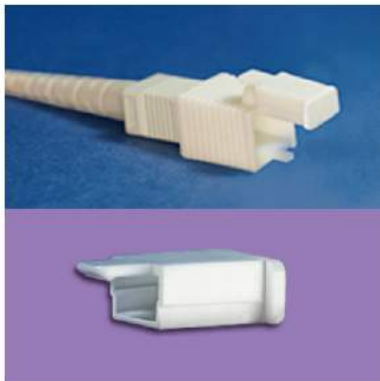


SC型光纖蓋組合 OPTICAL FIBER COVER

MATERIAL: NYLON 66(UL)
FLAME CLASS: 94V-0
COLOR: GREEN

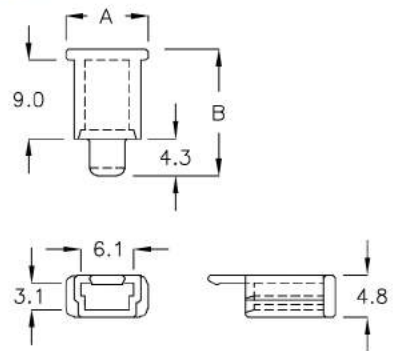


PART NO	A	B	PACKAGE
FIB-13-NOH	9.4	12.9	500



光纖保護蓋 OPTICAL FIBER COVER

MATERIAL: NYLON 66(UL)
FLAME CLASS: 94V-2
COLOR: NATURAL

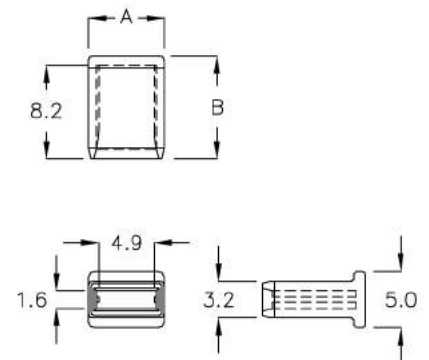


PART NO	A	B	PACKAGE
MNA-11C	9.5	14.6	2000



防塵蓋 DUST COVER

MATERIAL: NYLON 66(UL)
FLAME CLASS: 94V-2
COLOR: BLACK



PART NO	A	B	PACKAGE
MNW-9A	6.6	9.0	1000

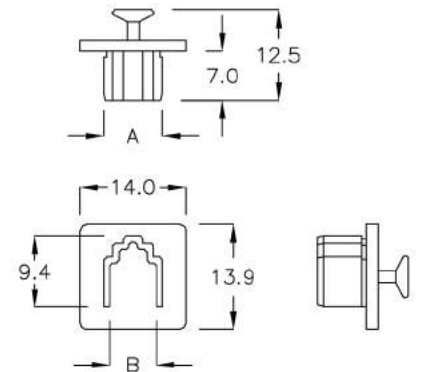
13-84-1



RJ11防塵蓋 RJ11 COVER

MATERIAL: NYLON 66(UL)
FLAME CLASS: 94V-2
COLOR: BLACK

PART NO	A	B	PACKAGE
RJ-12	7.75	6.2	1000



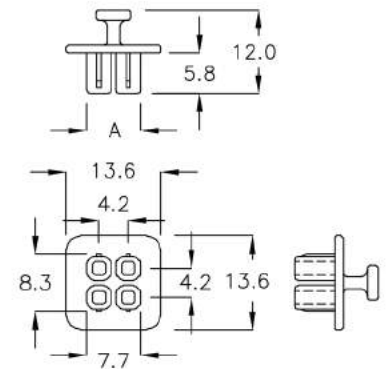
13-84-2



電源連接座插頭蓋 CONNECTOR COVER

MATERIAL: NYLON 66(UL)
FLAME CLASS: 94V-2
COLOR: BLACK

PART NO	A	PACKAGE
NES-4A	7.7	500



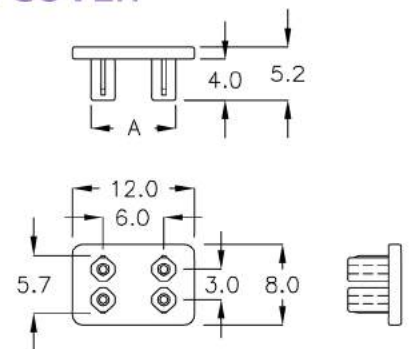
13-84-3



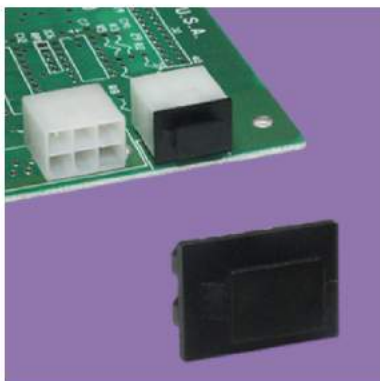
電源連接座插頭蓋 CONNECTOR COVER

MATERIAL: NYLON 66(UL)
FLAME CLASS: 94V-2
COLOR: BLACK

PART NO	A	PACKAGE
NEA-12J	8.35	500



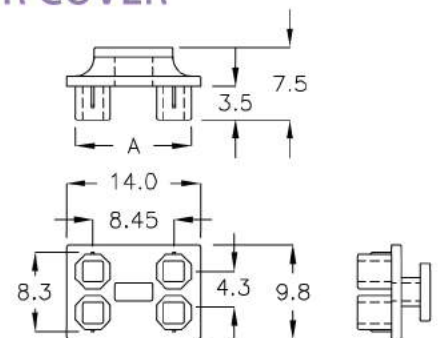
13-84-4



電源連接座插頭蓋 CONNECTOR COVER

MATERIAL: PP
COLOR: BLACK

PART NO	A	PACKAGE
NES-14A	12.04	500



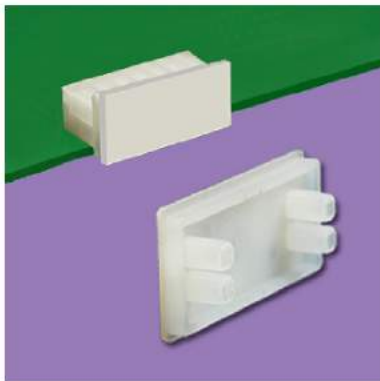
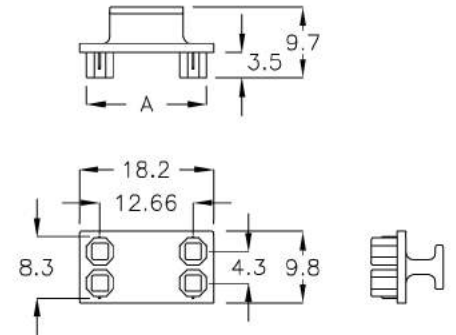


電源連接座插頭蓋 CONNECTOR COVER

MATERIAL: NYLON 66(UL)
FLAME CLASS: 94V-2
COLOR: BLACK

NEW

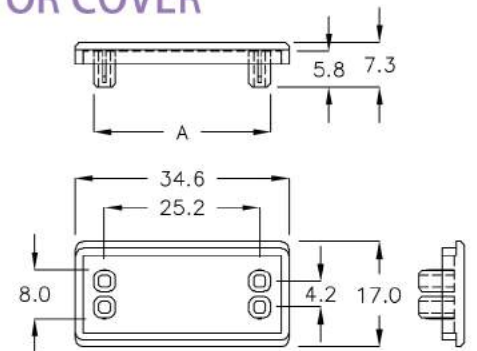
PART NO	A	PACKAGE
★ NES-18C	16.3	500



電源連接座插頭蓋 CONNECTOR COVER

MATERIAL: NYLON 66(UL)
FLAME CLASS: 94V-2
COLOR: NATURAL

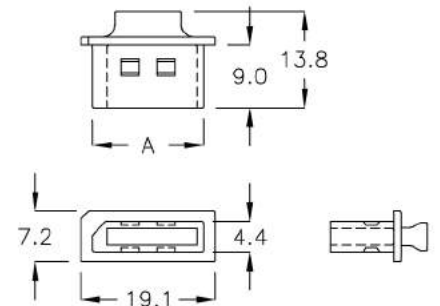
PART NO	A	PACKAGE
NEQ-34K	28.7	500



DP 防塵蓋 DP COVER

MATERIAL: PE
COLOR: NATURAL

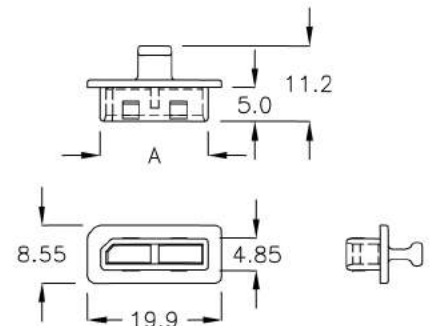
PART NO	A	PACKAGE
DP-2KT	15.9	1000



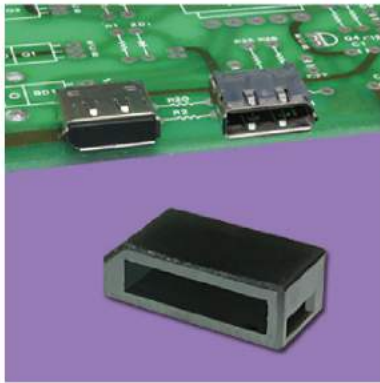
DP 防塵蓋 DP COVER

MATERIAL: NYLON 66(UL)
FLAME CLASS: 94V-2
COLOR: BLACK

PART NO	A	PACKAGE
DP-01	15.9	1000



13-86-1

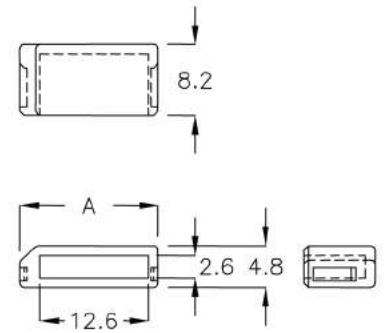


DP 防塵蓋 DP COVER

MATERIAL: PP
COLOR: BLACK

NEW

PART NO	A	PACKAGE
★ DP-3F	16.0	1000



13-86-2

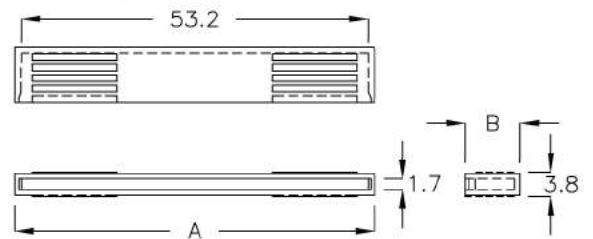


PCIE防塵蓋 PCI EXPRESS COVER

MATERIAL: PE
COLOR: BLACK

NEW

PART NO	A	B	PACKAGE
★ HCS-55FN	55.4	8.6	500



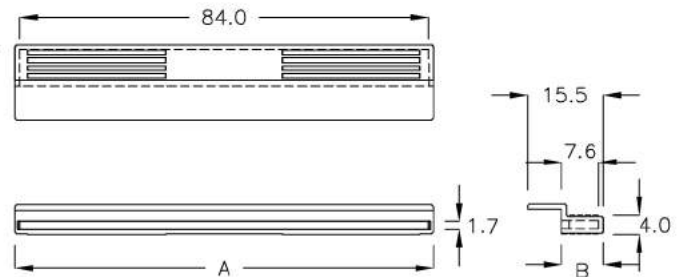
13-86-3



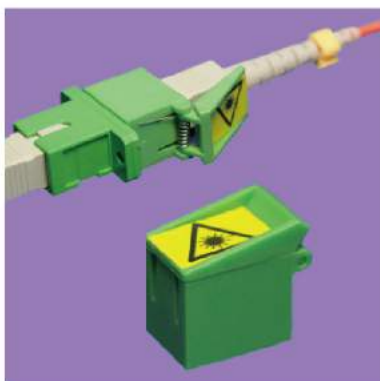
PCIE防塵蓋 PCI EXPRESSx16 COVER

MATERIAL: PE
COLOR: NATURAL

PART NO	A	B	PACKAGE
HCS-86FQ	86.0	8.5	200



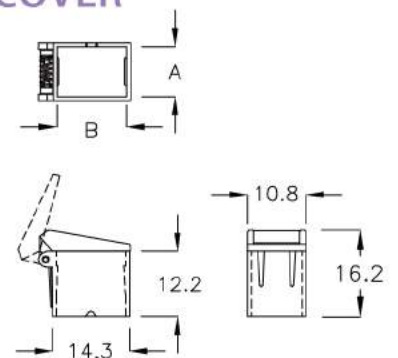
13-86-4

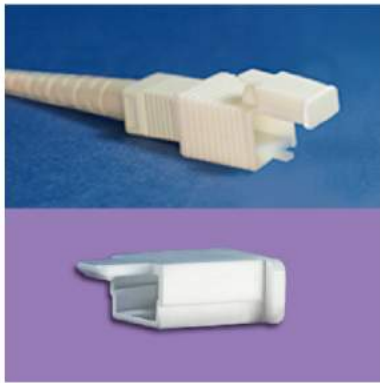


SC型光纖蓋組合 OPTICAL FIBER COVER

MATERIAL: NYLON 66(UL)
FLAME CLASS: 94V-0
COLOR: GREEN

PART NO	A	B	PACKAGE
FIB-13-NOH	9.4	12.9	500

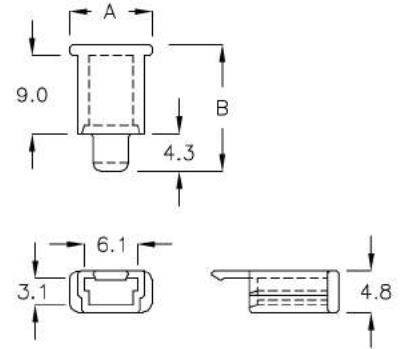




光纖保護蓋 OPTICAL FIBER COVER

MATERIAL: NYLON 66(UL)
FLAME CLASS: 94V-2
COLOR: NATURAL

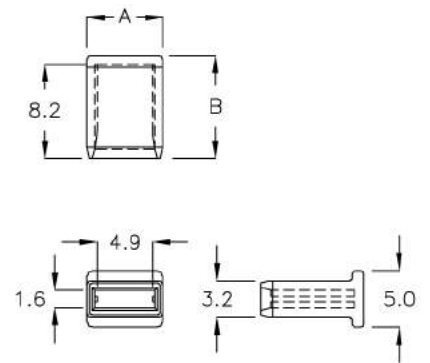
PART NO	A	B	PACKAGE
MNA-11C	9.5	14.6	2000



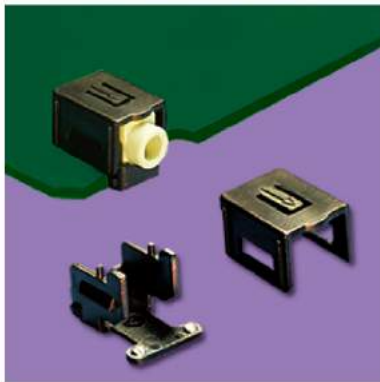
防塵蓋 DUST COVER

MATERIAL: NYLON 66(UL)
FLAME CLASS: 94V-2
COLOR: BLACK

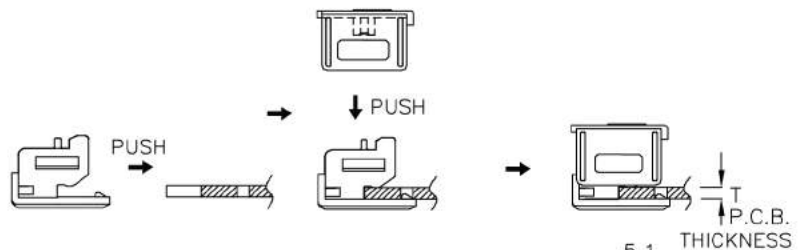
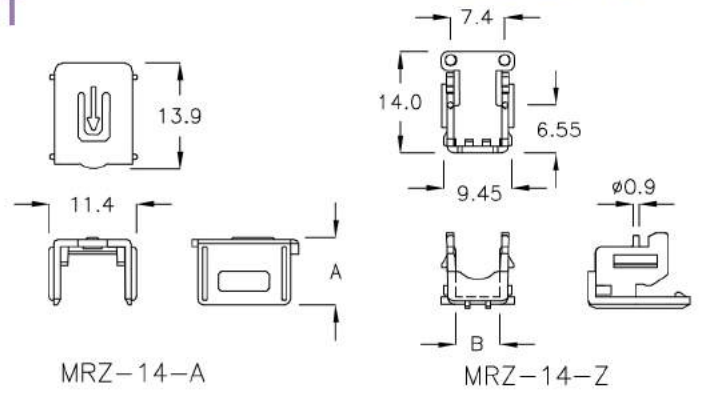
PART NO	A	B	PACKAGE
MNW-9A	6.6	9.0	1000



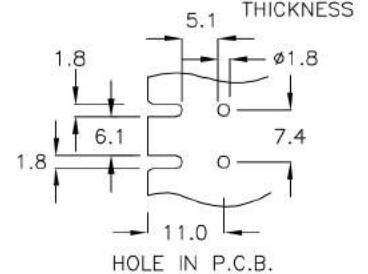
音頻插座固定座 ϕ 3.5 AUDIO MOUNT



MATERIAL: NYLON 66(UL)
FLAME CLASS: 94V-0
COLOR: BLACK



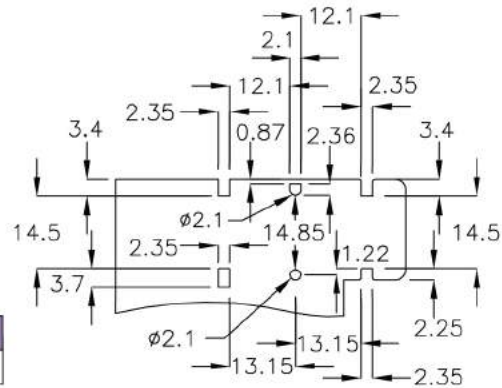
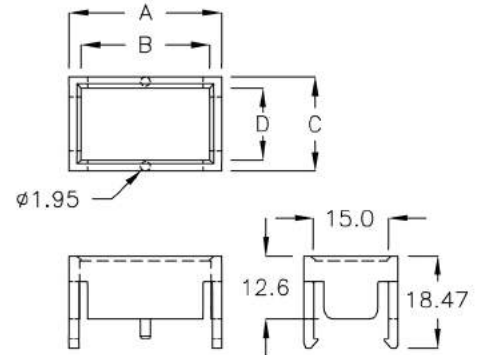
PART NO	A	B	T P.C.B. THICKNESS	PACKAGE
MRZ-14	8.6	6.0	1.65	1000



連接器固定座 CONNECTOR MOUNT



MATERIAL: NYLON 66(UL)
FLAME CLASS: 94V-2
COLOR: BLACK



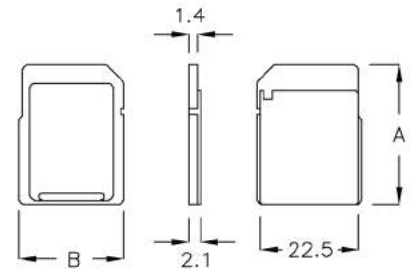
HOLE IN CHASSIS
 CHASSIS THICKNESS: 3.75mm

PART NO	A	B	C	D	PACKAGE
MNK-30YM	30.6	25.8	18.9	14.4	200

SD卡保護座 SD CARD SOCKET COVER



MATERIAL: ABS(UL)
COLOR: BLACK

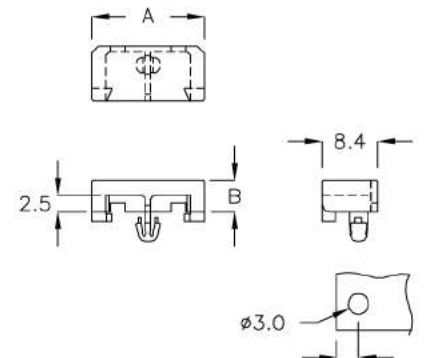


PART NO	A	B	PACKAGE
SDH-01	32.0	24.0	500

固定座 MOUNT

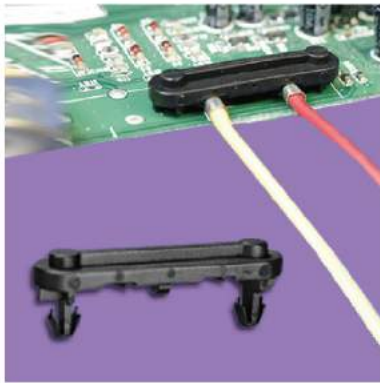


MATERIAL: NYLON 66(UL)
FLAME CLASS: 94V-2
COLOR: BLACK



HOLE IN CHASSIS
 CHASSIS THICKNESS: 1.4~1.6 mm

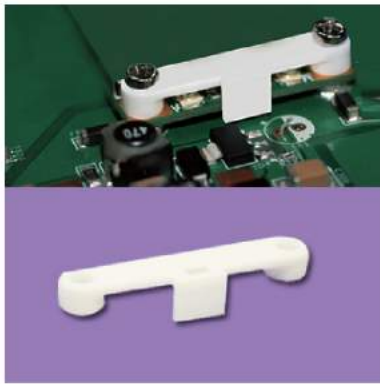
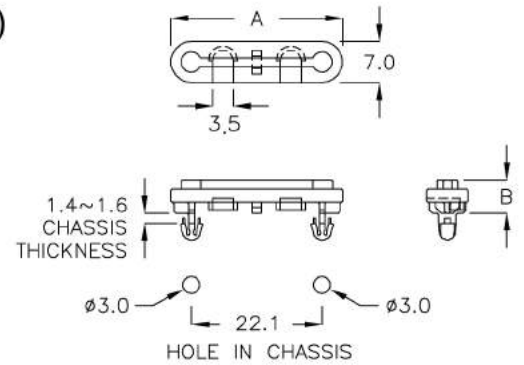
PART NO	A	B	PACKAGE
MRQ-14M	17.3	4.8	1000



固定座 MOUNT

MATERIAL: NYLON 66(UL)
FLAME CLASS: 94V-2
COLOR: BLACK

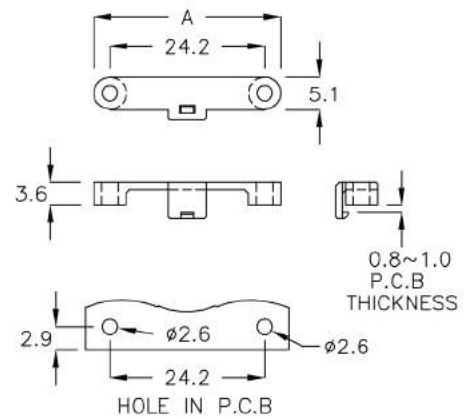
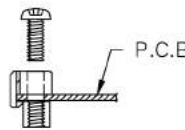
PART NO	A	B	PACKAGE
MRQ-29	29.1	5.6	1000



網通卡固定座 MOUNT

MATERIAL: NYLON 66(UL)
FLAME CLASS: 94V-2
COLOR: NATURAL
USE SCREW: M2.5

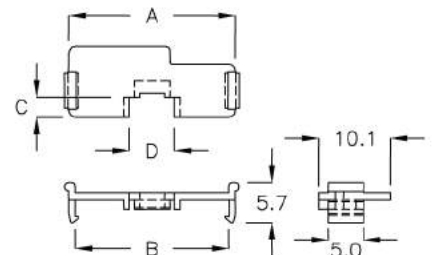
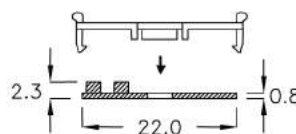
PART NO	A	PACKAGE
MRR-29	29.3	2000



M.2卡固定座 MOUNT

MATERIAL: NYLON 66(UL)
FLAME CLASS: 94V-2
COLOR: NATURAL

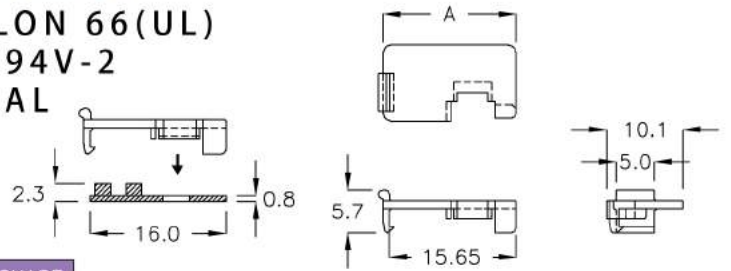
PART NO	A	B	C	D	PACKAGE
★ MRH-23FC	23.4	21.9	3.4	6.4	2000
MRH-23AC	23.6	21.8	2.4	6.4	
MRH-23TG	23.6	21.9	2.4	5.0	
★ MRH-23SK	23.6	21.9	3.4	6.4	



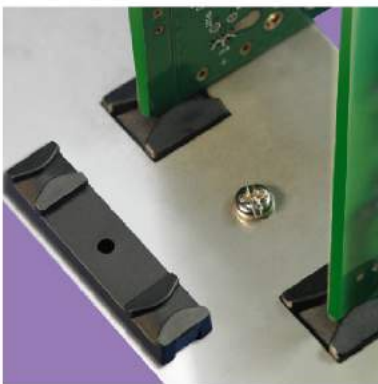


M.2卡固定座 MOUNT

MATERIAL: NYLON 66(UL)
FLAME CLASS: 94V-2
COLOR: NATURAL

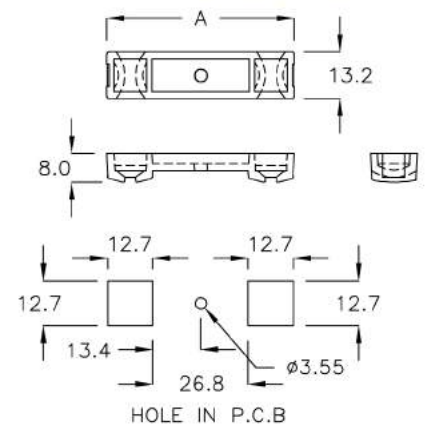


PART NO	A	PACKAGE
MRX-16D	17.5	2000



固定座 MOUNT

MATERIAL: NYLON 66(UL)
FLAME CLASS: 94V-2
COLOR: BLACK



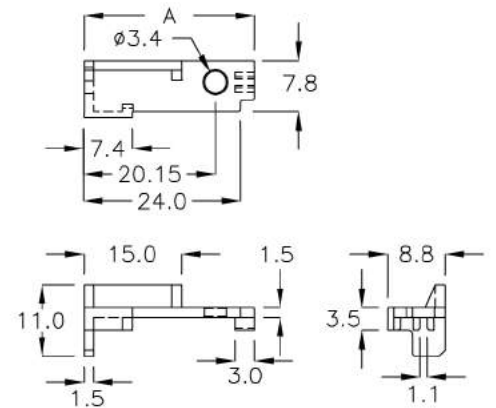
PART NO	A	PACKAGE
CGR-52A	52.7	200



固定座 MOUNT

MATERIAL: ABS(UL)
FLAME CLASS: 94-HB
COLOR: BLACK

NEW



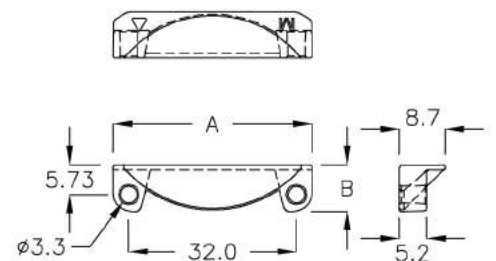
PART NO	A	PACKAGE
★ MJGP-26K	26.15	200



固定座 HOUSING

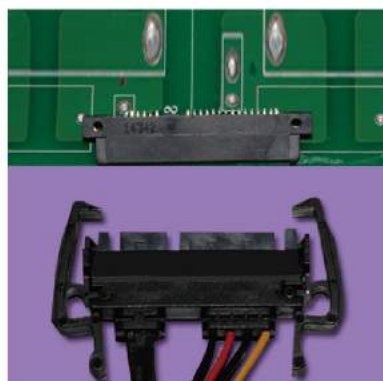
MATERIAL: ABS+PC(UL)
FLAME CLASS: 94V-0
COLOR: BLACK

NEW



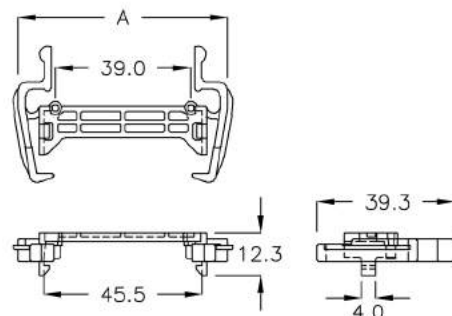
PART NO	A	B	PACKAGE
★ MLW-38HC	38.0	9.0	200

13-91-1



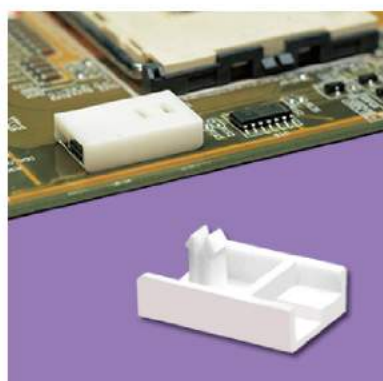
SATA固定扣 NIFLATCH

MATERIAL: NYLON 66(UL)
FLAME CLASS: 94V-0
COLOR: BLACK



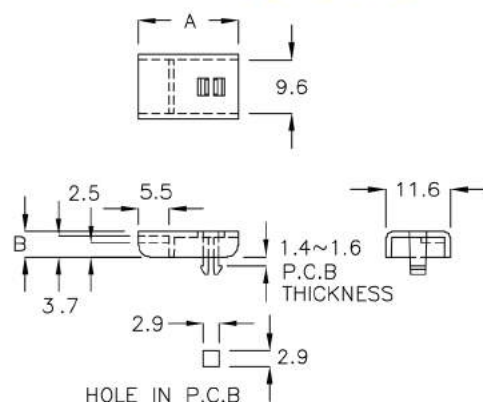
PART NO	A	PACKAGE
HPM-56A	60.2	200

13-91-2



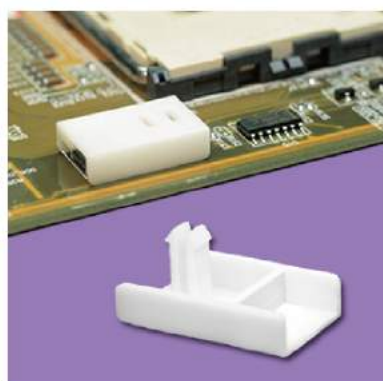
固定座 MOUNT

MATERIAL: NYLON 66(UL)
FLAME CLASS: 94V-2
COLOR: NATURAL



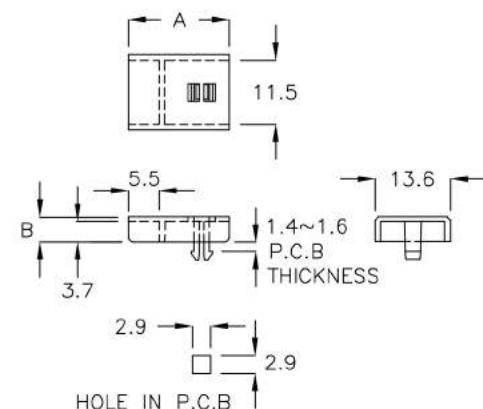
PART NO	A	B	PACKAGE
MMF-01	18.0	4.5	1000

13-91-3



固定座 MOUNT

MATERIAL: NYLON 66(UL)
FLAME CLASS: 94V-2
COLOR: NATURAL



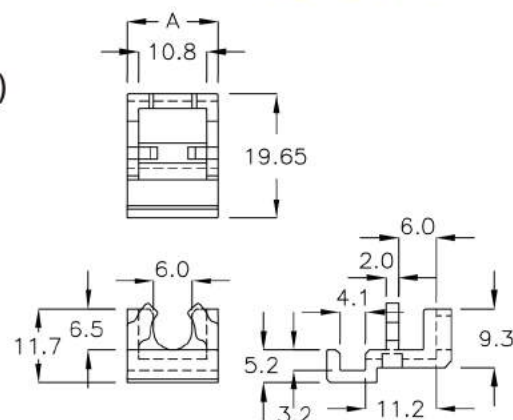
PART NO	A	B	PACKAGE
MMF-1K	18.0	4.5	1000

13-91-4



固定座 MOUNT

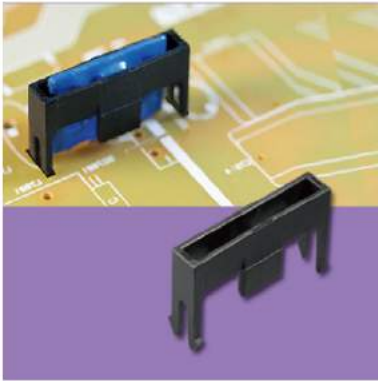
MATERIAL: NYLON 66(UL)
FLAME CLASS: 94V-2
COLOR: BLACK



PART NO	A	PACKAGE
★ MMFA-20T	14.4	1000

PINGOOD

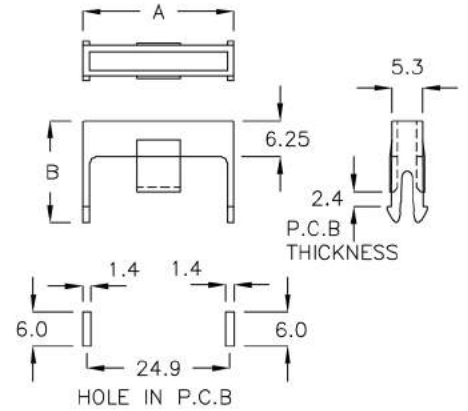
13-92-1



固定座 MOUNT

MATERIAL: NYLON 66(UL)
FLAME CLASS: 94V-2
COLOR: BLACK

PART NO	A	B	PACKAGE
MGL-26A	26.1	17.7	500



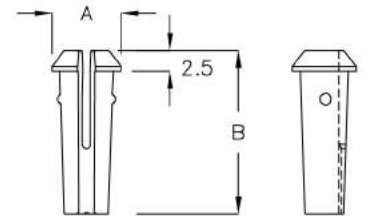
13-92-2



固定座 MOUNT

MATERIAL: ABS+PC(UL)
FLAME CLASS: 94V-0
COLOR: BLACK

PART NO	A	B	PACKAGE
MMS-20	8.4	20.0	1000



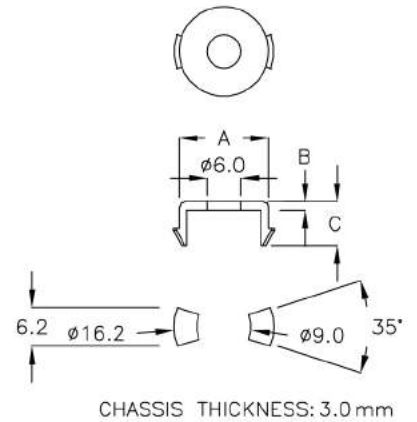
13-92-3



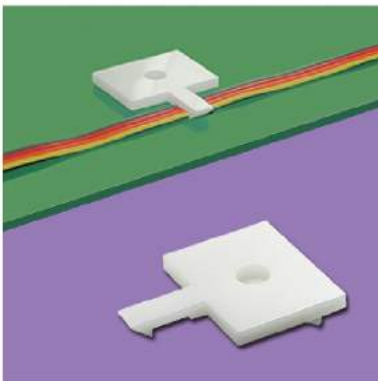
保護蓋 HOLE PROTECTOR

MATERIAL: NYLON 66(UL)
FLAME CLASS: 94V-2
COLOR: NATURAL

PART NO	A	B	C	PACKAGE
MHY-01	$\phi 16.0$	1.5	6.3	1000



13-92-4

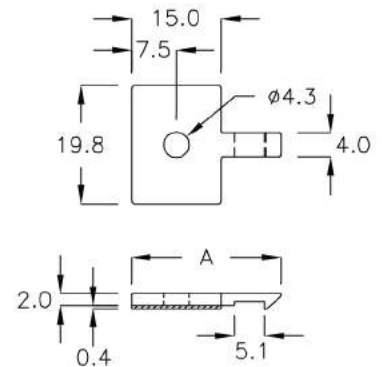


固定座 MOUNT

MATERIAL: ABS(UL)
FLAME CLASS: 94-HB
COLOR: NATURAL
ADHESIVE TAPE: 3M

NEW

PART NO	A	PACKAGE
★ MZT-25	25.0	1000



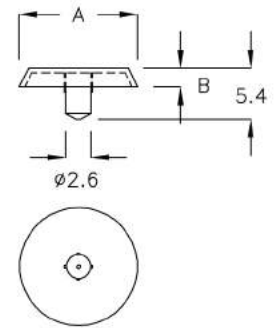
13-93-1



塞頭 HOLE PLUG

MATERIAL: NYLON 66(UL)
FLAME CLASS: 94V-2
COLOR: BLACK

PART NO	A	B	PACKAGE
P-1	∅12.5	2.0	1000



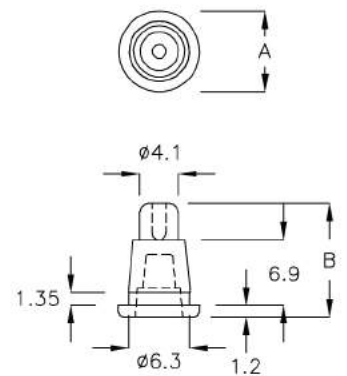
13-93-2



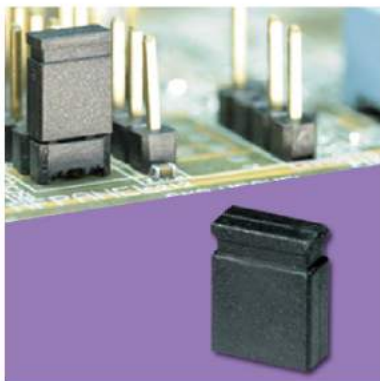
定位銷 PIN PLANAR LOCATOR

MATERIAL: NYLON 66(UL)
FLAME CLASS: 94V-2
COLOR: NATURAL

PART NO	A	B	PACKAGE
P-5	∅8.5	12.0	1000



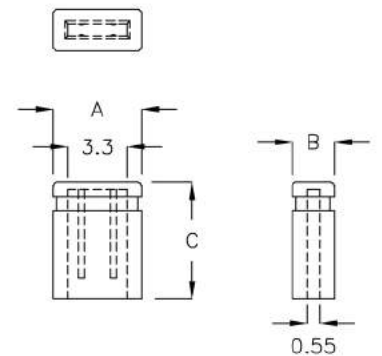
13-93-3



保護蓋 PIN HEADER PROTECTOR

MATERIAL: PBT(UL)
FLAME CLASS: 94V-0
COLOR: BLACK

PART NO	A	B	C	PACKAGE
MGX-6AK	4.95	2.35	6.5	2000



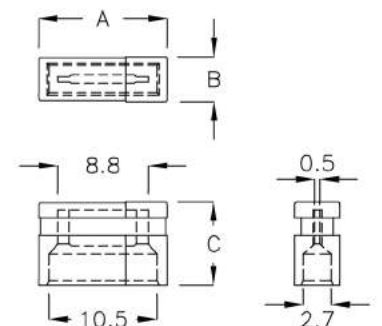
13-93-4



保護蓋 HOLE PROTECTOR

MATERIAL: NYLON 66(UL)
FLAME CLASS: 94V-0
COLOR: BLACK

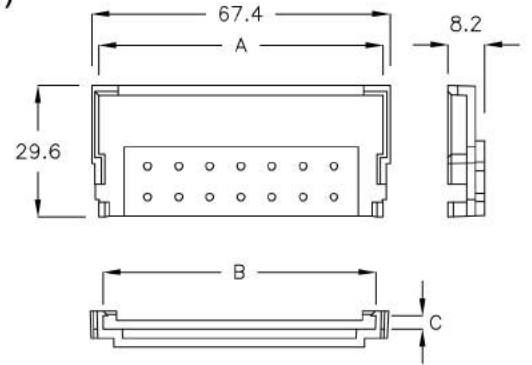
PART NO	A	B	C	PACKAGE
MGX-8MS	12.5	4.35	8.1	2000





記憶卡保護蓋 MEMORY CARD COVER

MATERIAL: NYLON 66(UL)
FLAME CLASS: 94V-2
COLOR: BLACK

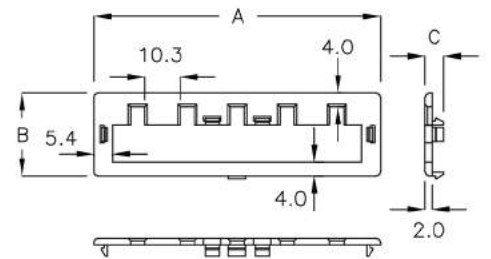


PART NO	A	B	C	PACKAGE
VFA-02	64.5	61.5	3.1	100

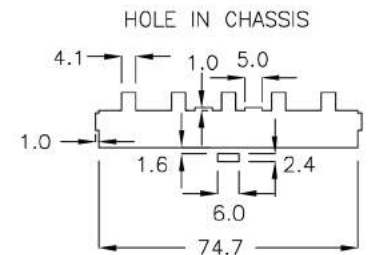


保護蓋 HOLE PROTECTOR

MATERIAL: NYLON 66(UL)
FLAME CLASS: 94V-2
COLOR: BLACK

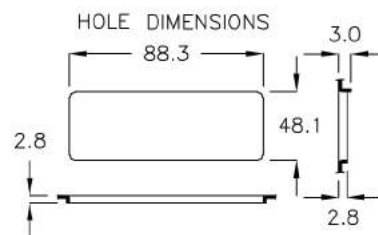
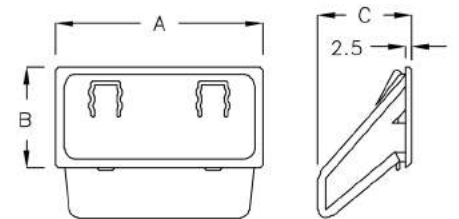


PART NO	A	B	C	PACKAGE
MPR-01	82.6	23.9	5.2	100

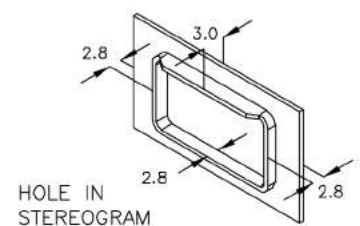


提把 HANDLE

MATERIAL: ABS(UL)
FLAME CLASS: 94V-0
COLOR: BLACK



PART NO	A	B	C	PACKAGE
MKP-91	92.3	52.3	41.7	50

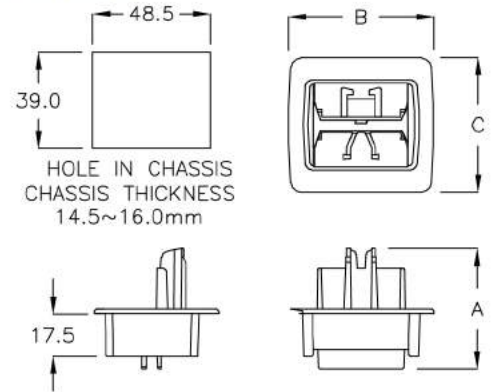




紙箱固定座 CARTON BOX HANDLE

MATERIAL: PP
COLOR: NATURAL

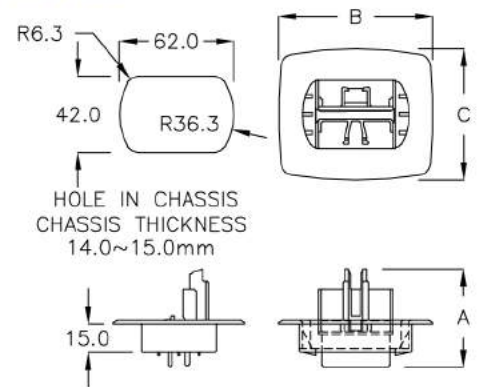
PART NO	A	B	C	PACKAGE
MKK-82A	50.0	59.0	54.0	50



紙箱固定座 CARTON BOX HANDLE

MATERIAL: PP
COLOR: NATURAL

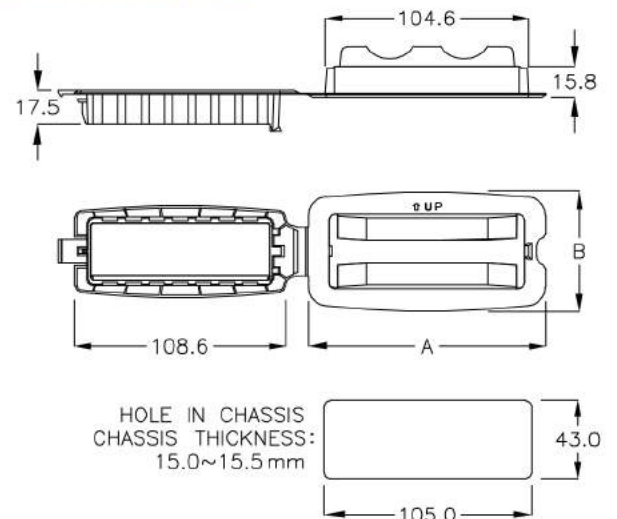
PART NO	A	B	C	PACKAGE
MKK-81DZ	51.2	81.0	69.0	50



紙箱固定座 CARTON BOX HANDLE

MATERIAL: PP
COLOR: NATURAL

PART NO	A	B	PACKAGE
MKK-92	122.0	62.0	10

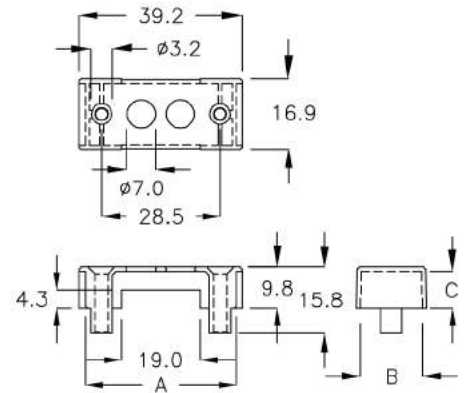




端子座保護蓋 TERMINAL COVER

MATERIAL: NYLON 66(UL)
FLAME CLASS: 94V-2
COLOR: BLACK

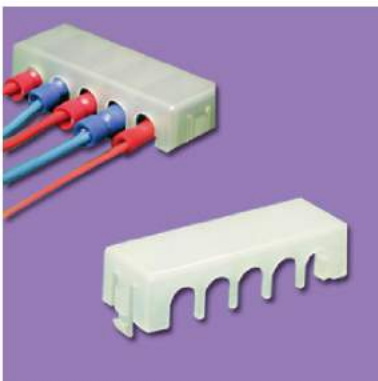
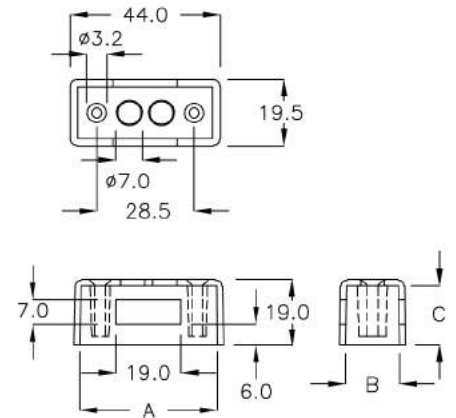
PART NO	A	B	C	PACKAGE
MD-39	36.2	14.9	8.8	100



端子座保護蓋 TERMINAL COVER

MATERIAL: NYLON 66(UL)
FLAME CLASS: 94V-2
COLOR: BLACK

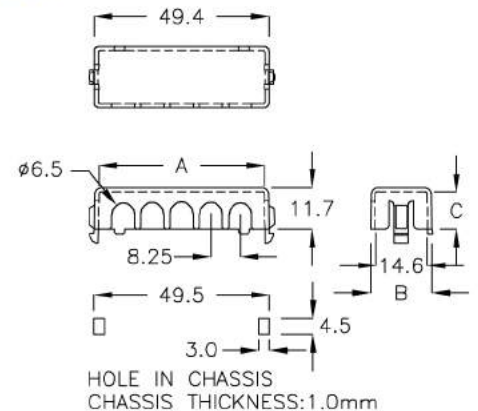
PART NO	A	B	C	PACKAGE
MD-44	40.4	15.9	17.2	100



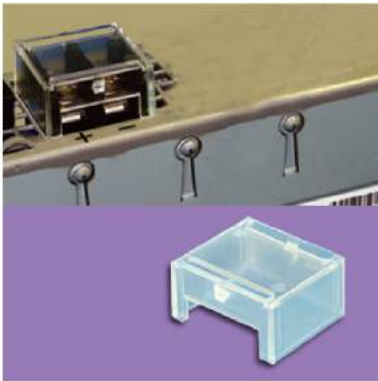
端子座保護蓋 TERMINAL COVER

MATERIAL: PC(UL)
FLAME CLASS: 94V-0
COLOR: NATURAL

PART NO	A	B	C	PACKAGE
MDW-49A	46.6	17.4	10.5	100



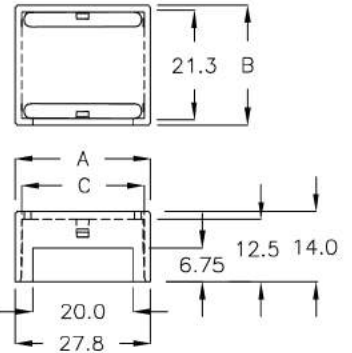
13-97-1



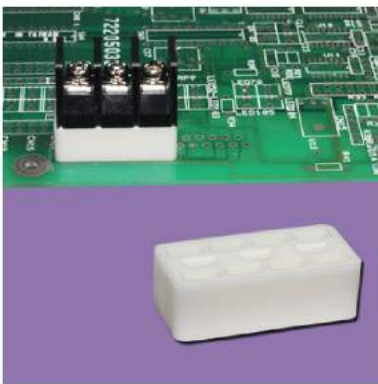
端子座保護蓋 DC CONNECTOR COVER

MATERIAL: PC(UL)
FLAME CLASS: 94V-2
COLOR: CLEAR

PART NO	A	B	C	PACKAGE
HDP-01	27.1	23.9	24.5	200



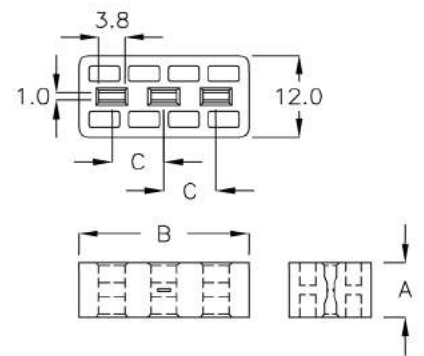
13-97-2



端子固定座 MOUNT

MATERIAL: NYLON 66(UL)
FLAME CLASS: 94V-0
COLOR: NATURAL

PART NO	A	B	C	PACKAGE
TGB-25K	8.0	25.0	7.6	1000



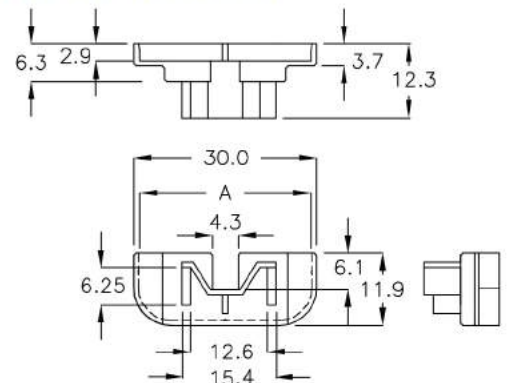
13-97-3



插頭絕緣套 SOCKET INSULATOR HOLDER

MATERIAL: NYLON 66(UL)
FLAME CLASS: 94V-2
COLOR: BLACK

PART NO	A	PACKAGE
MTY-01	28.0	200



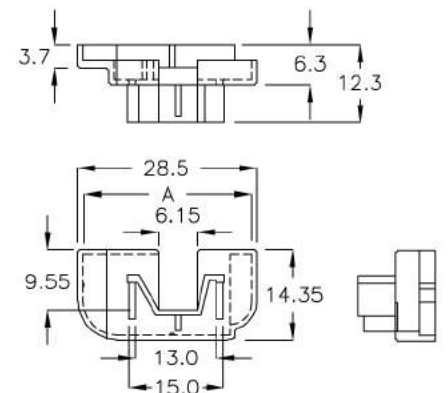
13-97-4



插頭絕緣套 SOCKET INSULATOR HOLDER

MATERIAL: NYLON 66(UL)
FLAME CLASS: 94V-2
COLOR: BLACK

PART NO	A	PACKAGE
MTY-3F	26.7	200



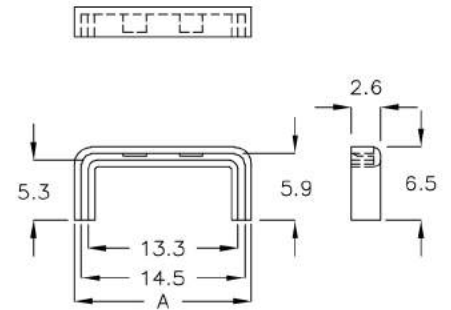
13-98-1



固定座 MOUNT

MATERIAL: NYLON 46(UL)
FLAME CLASS: 94V-0
COLOR: BLACK

PART NO	A	PACKAGE
MPG-15A	15.7	500



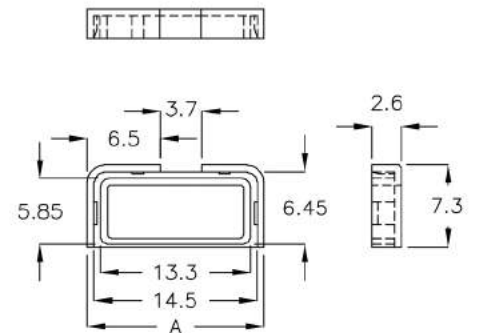
13-98-2



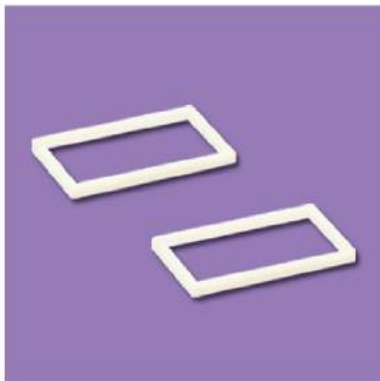
固定座 MOUNT

MATERIAL: NYLON 46(UL)
FLAME CLASS: 94V-0
COLOR: BLACK

PART NO	A	PACKAGE
MPG-15WF	15.7	500



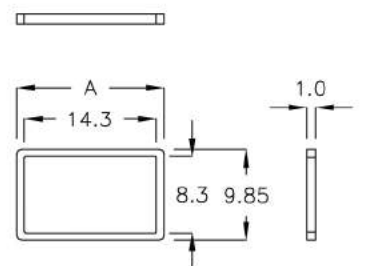
13-98-3



固定座 MOUNT

MATERIAL: NYLON 66(UL)
FLAME CLASS: 94V-2
COLOR: NATURAL

PART NO	A	PACKAGE
MWJ-16	16.0	1000



13-98-4



銷 PIN

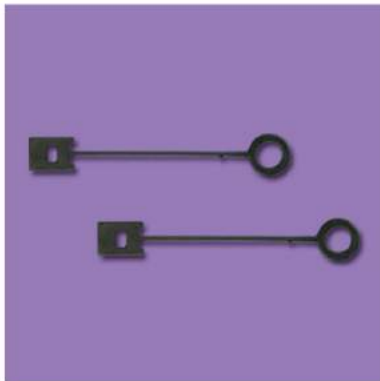
MATERIAL: NYLON 66(UL)
FLAME CLASS: 94V-2
COLOR: NATURAL



PART NO	A	B	PACKAGE
★ PIN-13	13.0	ø2.0	1000

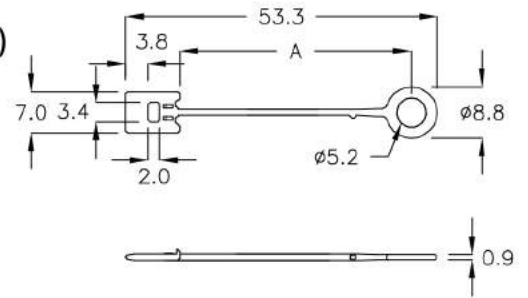


13-99-1



固定帶 STRAP TIE

MATERIAL: NYLON 66(UL)
FLAME CLASS: 94V-2
COLOR: BLACK



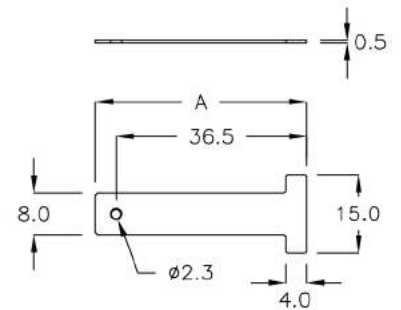
PART NO	A	PACKAGE
BFA-40	39.6	500

13-99-2



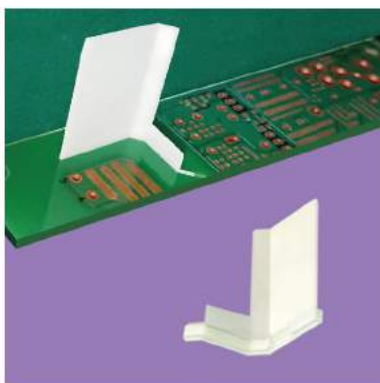
固定帶 STRAP TIE

MATERIAL: NYLON 66(UL)
FLAME CLASS: 94V-2
COLOR: NATURAL



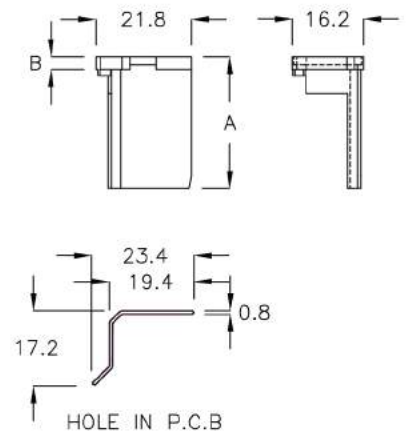
PART NO	A	PACKAGE
TPW-40A	40.5	2000

13-99-3



固定座 MOUNT

MATERIAL: NYLON 66+30%FRP
FLAME CLASS: 94V-0
COLOR: NATURAL



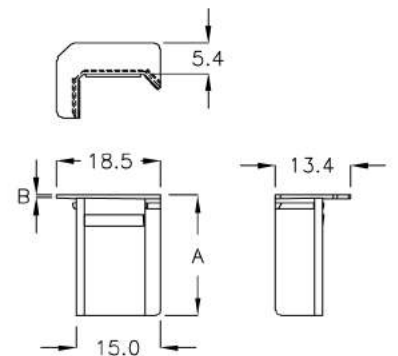
PART NO	A	B	PACKAGE
MPB-4A	30.2	2.95	500

13-99-4



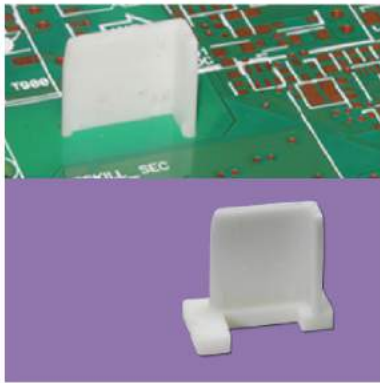
固定座 MOUNT

MATERIAL: NYLON 66(UL)
FLAME CLASS: 94V-0
COLOR: BLACK



PART NO	A	B	PACKAGE
MPB-18MD	21.4	0.45	500

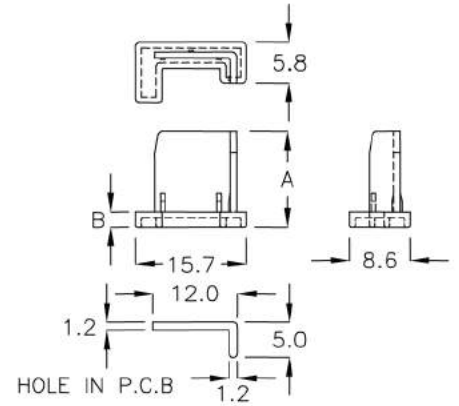
13-100-1



固定座 MOUNT

MATERIAL: NYLON 66(UL)
FLAME CLASS: 94V-0
COLOR: NATURAL

PART NO	A	B	PACKAGE
MPB-15GK	13.6	2.2	500



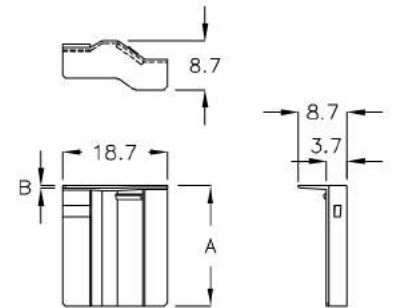
13-100-2



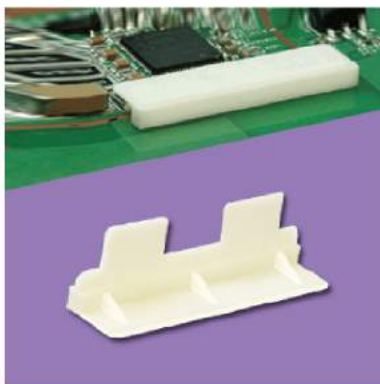
固定座 MOUNT

MATERIAL: NYLON 66(UL)
FLAME CLASS: 94V-0
COLOR: BLACK

PART NO	A	B	PACKAGE
MPB-18PQ	21.4	0.45	500



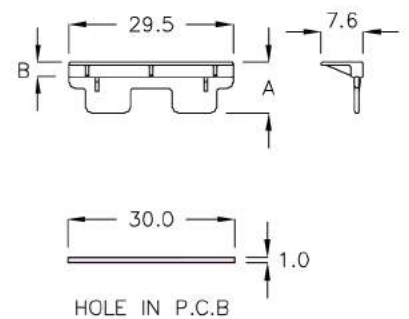
13-100-3



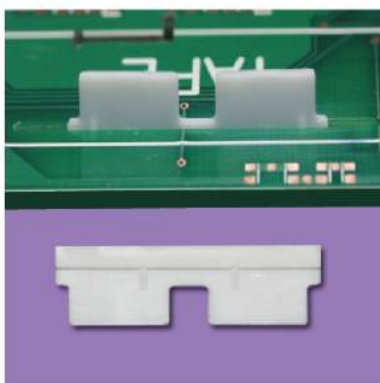
固定座 MOUNT

MATERIAL: NYLON 66(UL)
FLAME CLASS: 94V-0
COLOR: NATURAL

PART NO	A	B	PACKAGE
MPB-29LY	9.2	2.7	500



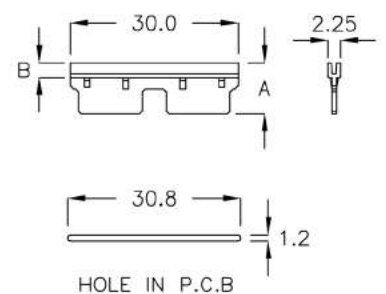
13-100-4



固定座 MOUNT

MATERIAL: NYLON 66(UL)
FLAME CLASS: 94V-0
COLOR: NATURAL

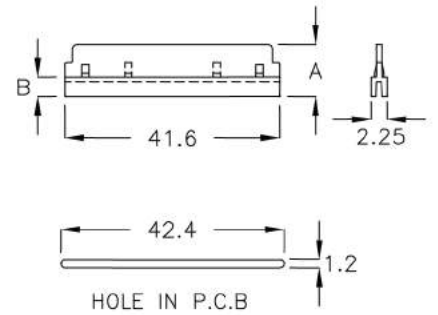
PART NO	A	B	PACKAGE
MPB-30KM	9.2	2.7	500



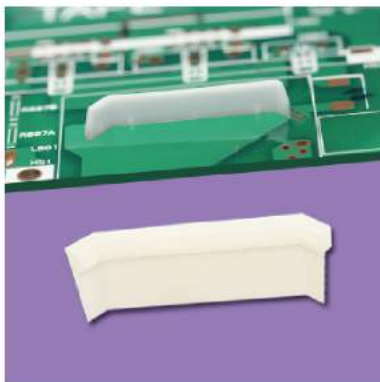


固定座 MOUNT

MATERIAL: NYLON 66(UL)
FLAME CLASS: 94V-0
COLOR: NATURAL

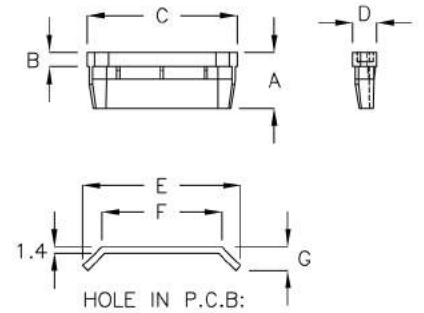


PART NO	A	B	PACKAGE
MPB-42QW	7.2	2.7	500



固定座 MOUNT

COLOR: NATURAL

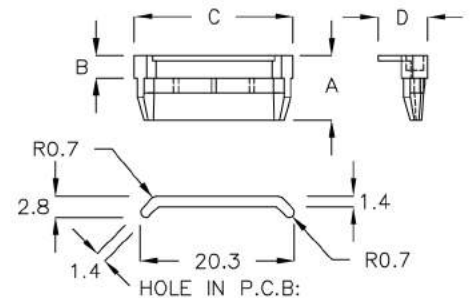


PART NO	MATERIAL	A	B	C	D	E	F	G	PACKAGE
MPB-27SQ	N66 94V-0	8.25	2.15	27.6	4.9	29.5	22.3	4.6	500
MPB-30J	N66 94V-0	11.55	2.95	30.8	4.8	32.4	24.6	4.9	
MPB-32HW	N66 94V-0	9.05	2.95	32.8	4.9	33.0	25.8	4.6	
MPB-32K	N66+30%FRP	11.55	2.95	32.8	4.9	33.0	25.8	4.6	

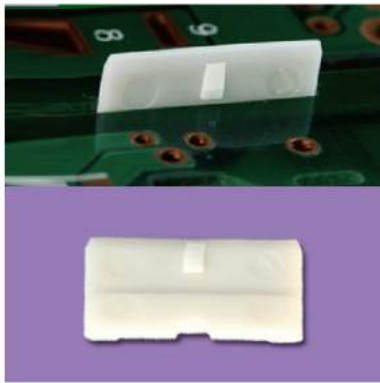


固定座 MOUNT

MATERIAL: NYLON 66(UL)
FLAME CLASS: 94V-0
COLOR: NATURAL

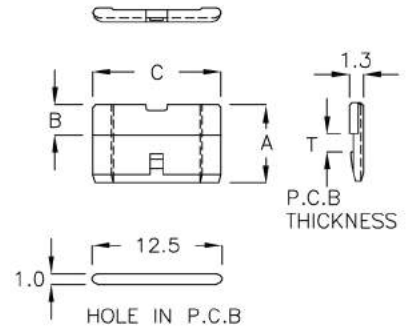


PART NO	A	B	C	D	PACKAGE
MPB-21HT	8.5	2.9	20.9	6.5	1000

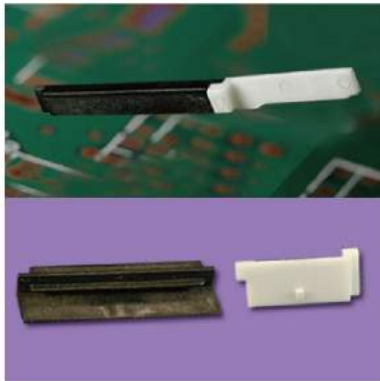


固定座 MOUNT

MATERIAL: NYLON 66(UL)
FLAME CLASS: 94V-0
COLOR: NATURAL



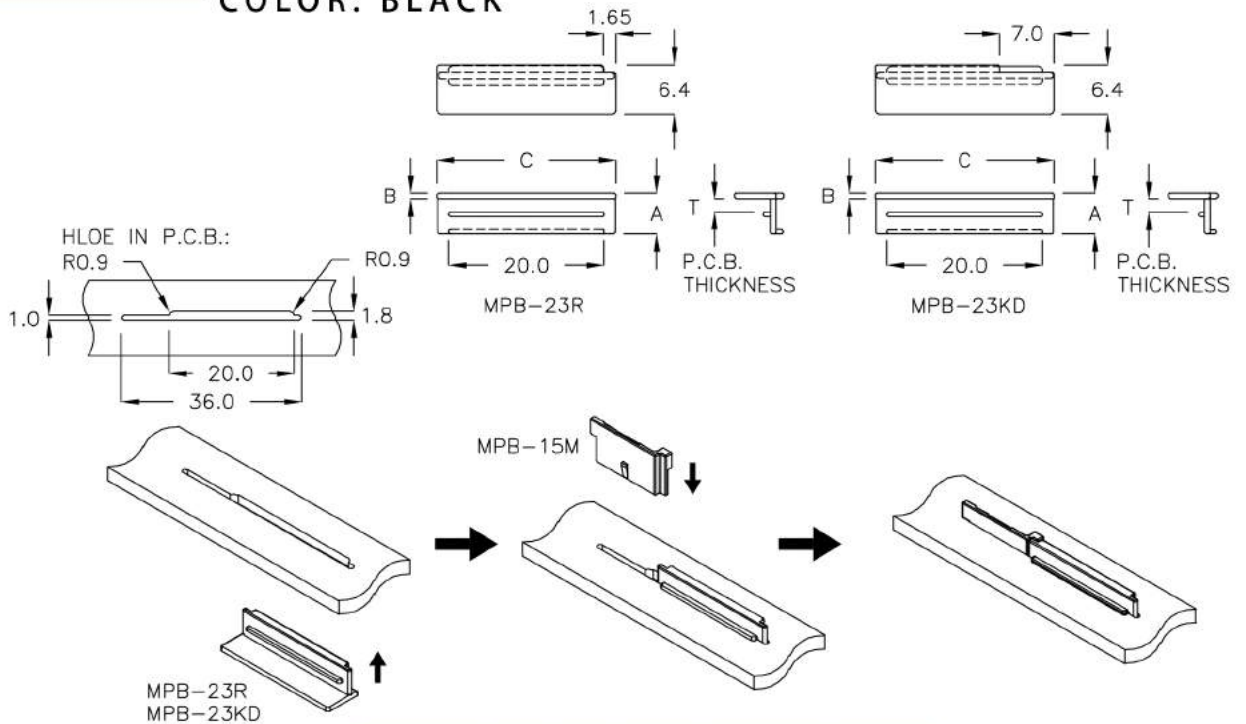
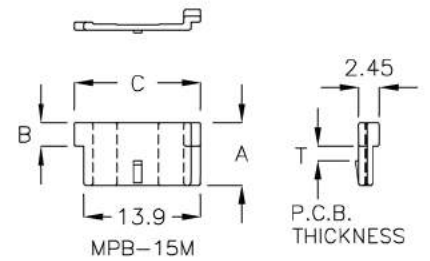
PART NO	A	B	C	T CHASSIS THICKNESS	PACKAGE
MPB-11TN	7.2	2.8	12.0	1.6	1000
MPB-11GL	14.0	2.8	12.0	1.6	500



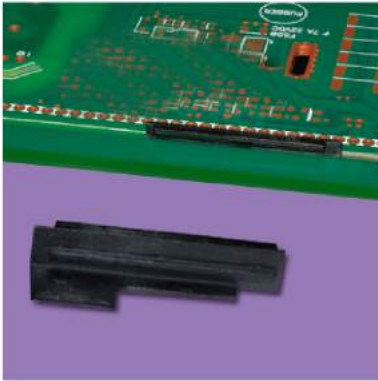
固定座 MOUNT

MPB-15M
MATERIAL: NYLON 66(UL)
FLAME CLASS: 94V-0
COLOR: NATURAL

MPB-23R/MPB-23KD
MATERIAL: PPS(UL)
FLAME CLASS: 94V-0
COLOR: BLACK

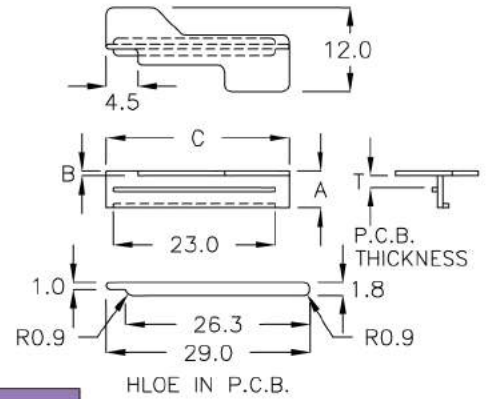


PART NO	A	B	C	T CHASSIS THICKNESS	PACKAGE
MPB-15M	7.4	2.8	15.0	1.6	1000
MPB-23R	5.3	0.8	23.0	1.6	500
MPB-23KD	5.3	0.8	23.0	1.6	

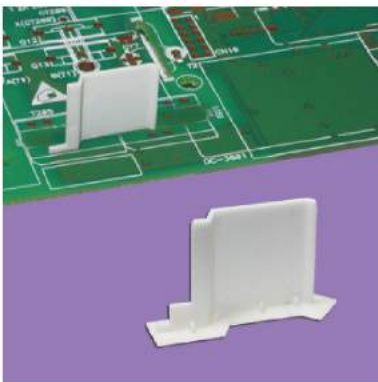


固定座 MOUNT

MATERIAL: PPS(UL)
FLAME CLASS: 94V-0
COLOR: BLACK

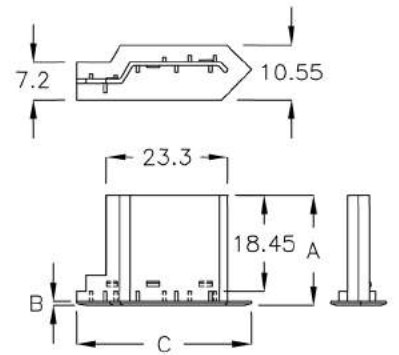


PART NO	A	B	C	T CHASSIS THICKNESS	PACKAGE
MPB-26CK	5.3	0.7	26.0	1.6	500



固定座 MOUNT

MATERIAL: NYLON 66(UL)
FLAME CLASS: 94V-0
COLOR: NATURAL

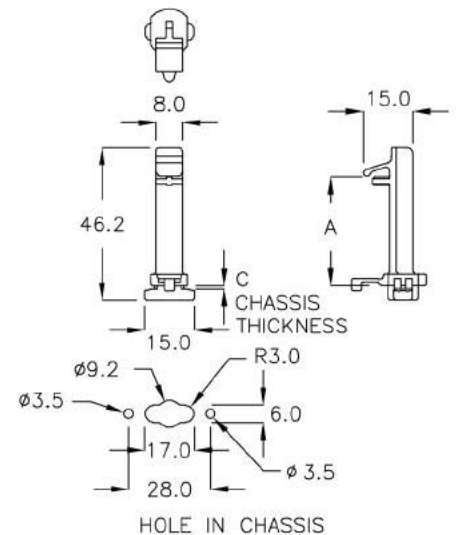


PART NO	A	B	C	PACKAGE
MPB-35TK	21.1	0.8	33.5	500



固定座 MOUNT

MATERIAL: POM(UL)
FLAME CLASS: 94-HB
COLOR: NATURAL

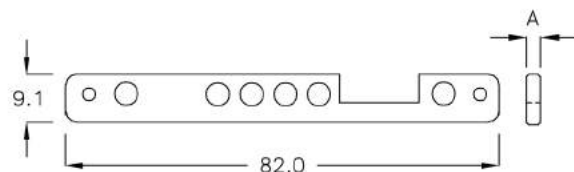


PART NO	A	C CHASSIS THICKNESS	PACKAGE
MGS-46CH	32.9	1.0	100



PIN固定座 PIN MOUNT

MATERIAL: NYLON 66+30%FRP
FLAME CLASS: 94V-0
COLOR: BLACK

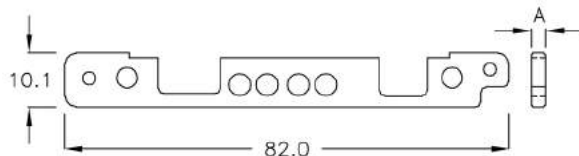


PART NO	A	PACKAGE
DC-01	2.7	500



PIN固定座 PIN MOUNT

MATERIAL: NYLON 66+25%FRP
FLAME CLASS: 94V-0
COLOR: BLACK

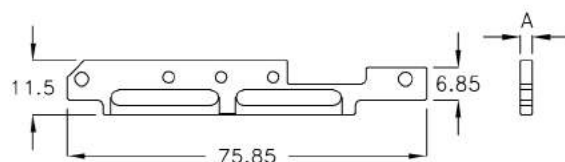


PART NO	A	PACKAGE
DC-02	2.7	500



PIN固定座 PIN MOUNT

MATERIAL: NYLON 66+30%FRP
FLAME CLASS: 94V-0
COLOR: BLACK

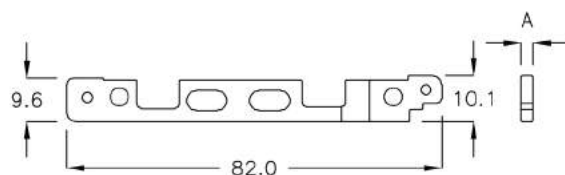


PART NO	A	PACKAGE
DC-2Q	2.6	200



PIN固定座 PIN MOUNT

MATERIAL: NYLON 66+30%FRP
FLAME CLASS: 94V-0
COLOR: BLACK

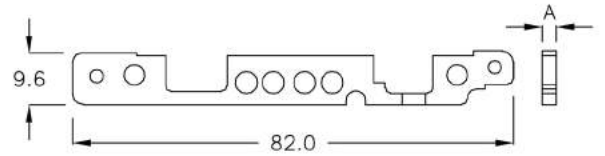


PART NO	A	PACKAGE
DC-2RM	2.7	200



PIN固定座 PIN MOUNT

MATERIAL: NYLON 46(UL)
FLAME CLASS: 94V-0
COLOR: BLACK

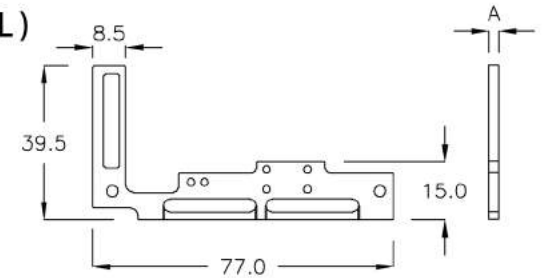


PART NO	A	PACKAGE
DC-3F	2.6	200



PIN固定座 PIN MOUNT

MATERIAL: NYLON 46(UL)
FLAME CLASS: 94V-0
COLOR: BLACK

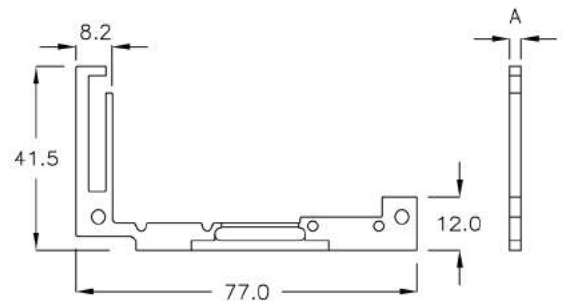


PART NO	A	PACKAGE
DC-2H	2.6	200



PIN固定座 PIN MOUNT

MATERIAL: PPS
FLAME CLASS: 94V-0
COLOR: BLACK

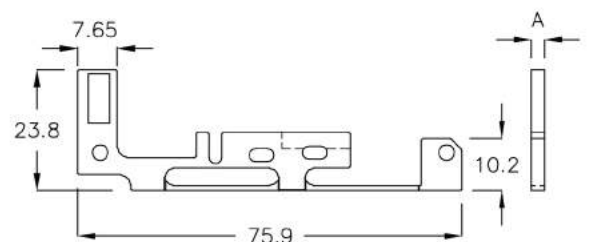


PART NO	A	PACKAGE
DC-4LS	2.7	200



PIN固定座 PIN MOUNT

MATERIAL: NYLON 66+30%FRP
FLAME CLASS: 94V-0
COLOR: BLACK



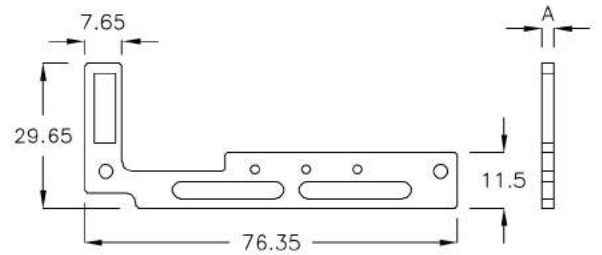
PART NO	A	PACKAGE
DC-4QF	2.6	200



PIN固定座 PIN MOUNT

MATERIAL: NYLON 66+30%FRP
FLAME CLASS: 94V-0
COLOR: BLACK

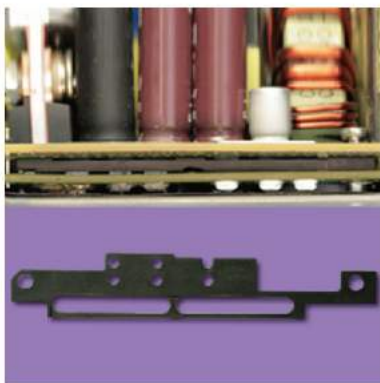
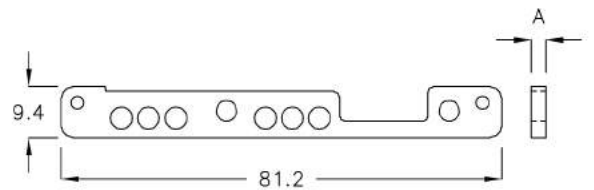
PART NO	A	PACKAGE
DC-4RK	2.6	200



PIN固定座 PIN MOUNT

MATERIAL: NYLON 66+30%FRP
FLAME CLASS: 94V-0
COLOR: BLACK

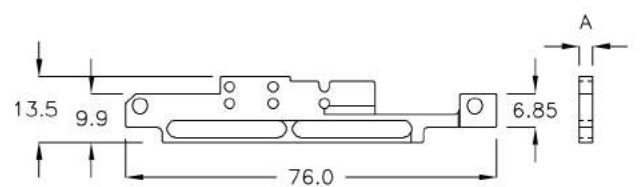
PART NO	A	PACKAGE
DC-5MA	2.7	200



PIN固定座 PIN MOUNT

MATERIAL: NYLON 46(UL)
FLAME CLASS: 94V-0
COLOR: BLACK

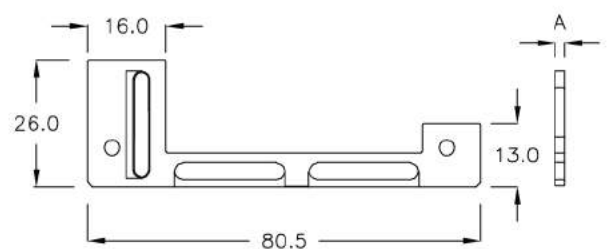
PART NO	A	PACKAGE
DC-6CN	2.7	200



PIN固定座 PIN MOUNT

MATERIAL: NYLON 46(UL)
FLAME CLASS: 94V-0
COLOR: BLACK

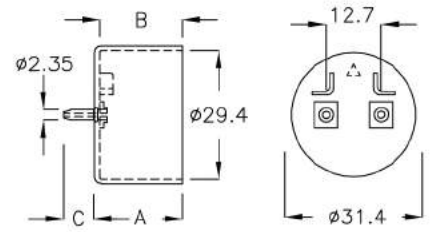
PART NO	A	PACKAGE
DC-7XK	2.6	200





燈帽 LAMP TUBE CAP

MATERIAL: PC
FLAME CLASS: 94V-0
COLOR: WHITE

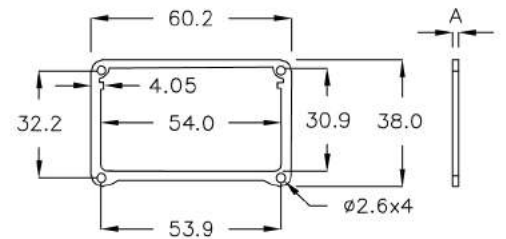


FOR T9 LAMP				
PART NO	A	B	C	PACKAGE
T9A-3C	20.0	18.8	7.1	100



墊圈 GASKET

MATERIAL: SILICONE
FLAME CLASS: 94V-0
COLOR: BLACK

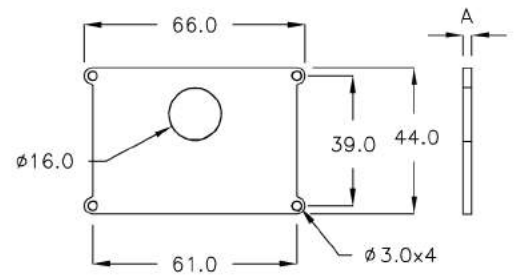


PART NO	A	PACKAGE
LRA-60	1.7	500

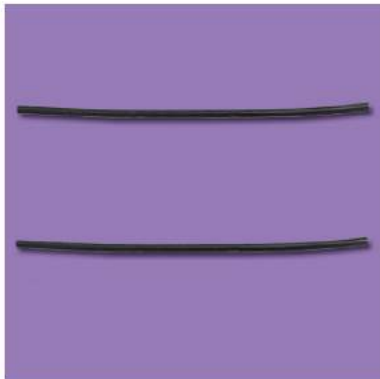


墊片 SILICONE PAD

MATERIAL: SILICONE
FLAME CLASS: 94V-0
COLOR: BLACK

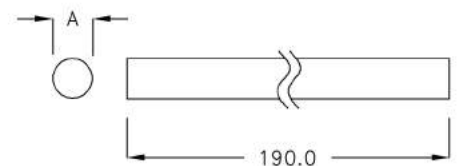


PART NO	A	PACKAGE
GCA-66	0.8	200



膠條 SILICONE TIE

MATERIAL: SILICONE
COLOR: BLACK



PART NO	A	PACKAGE
LPL-2D	$\phi 1.0$	500

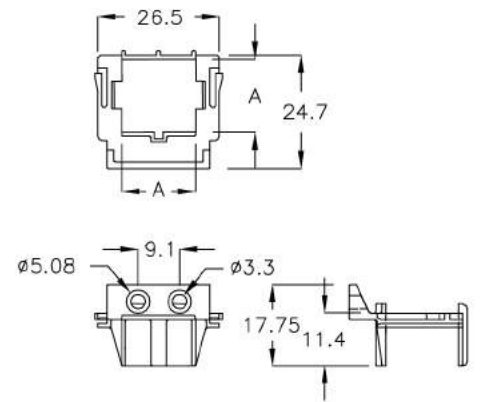
13-108-1-



固定座 MOUNT

MATERIAL: ABS+PC(UL)
FLAME CLASS: 94V-0
COLOR: NATURAL, BLACK

PART NO	A	PACKAGE
MPW-24Q	16.0	200



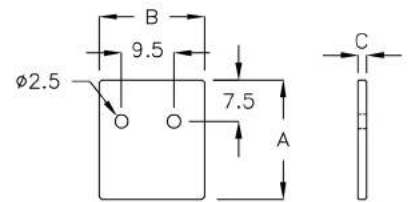
13-108-2-



固定座 MOUNT

MATERIAL: NYLON 66(UL)
FLAME CLASS: 94V-2
COLOR: NATURAL

PART NO	A	B	C	PACKAGE
MDD-21H	21.5	19.0	1.5	500



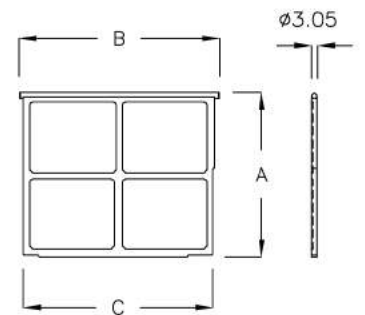
13-108-3-



防塵蓋 COVER

MATERIAL: NYLON 66(UL)
FLAME CLASS: 94V-2
COLOR: BLACK

PART NO	A	B	C	PACKAGE
DUA-103C	84.4	103.2	97.0	20
DUA-105K	84.4	105.2	98.9	



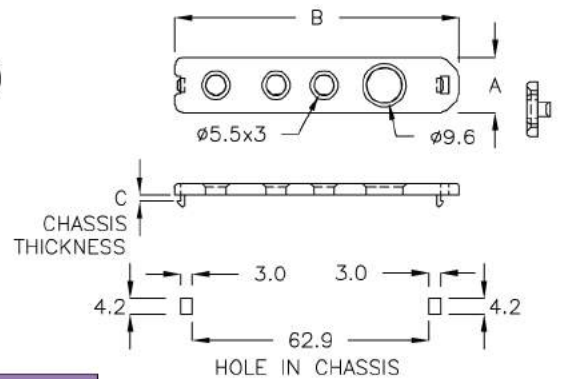
13-108-4-



固定座 MOUNT

MATERIAL: ABS+PC(UL)
FLAME CLASS: 94V-0
COLOR: BLACK

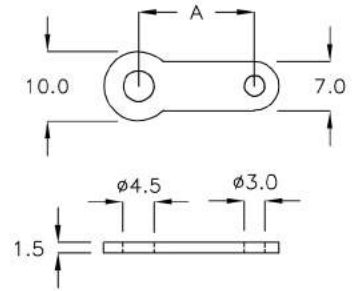
PART NO	A	B	C CHASSIS THICKNESS	PACKAGE
MGW-75	14.6	75.0	1.6	100





固定帶 STRAP MOUNT

MATERIAL: SILICONE
FLAME CLASS: 94V-0
COLOR: BLACK



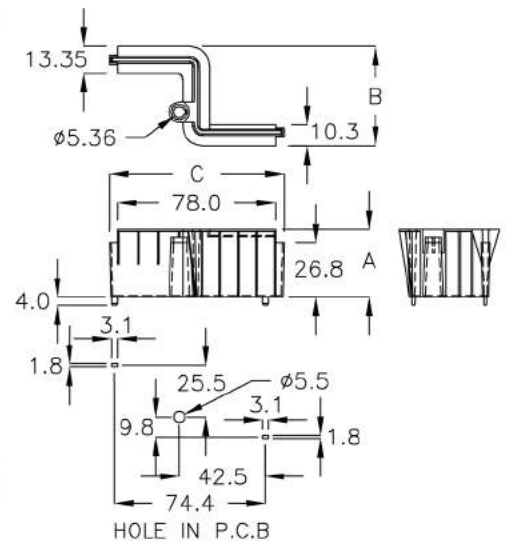
PART NO	A	PACKAGE
DHM-25A	16.7	1000



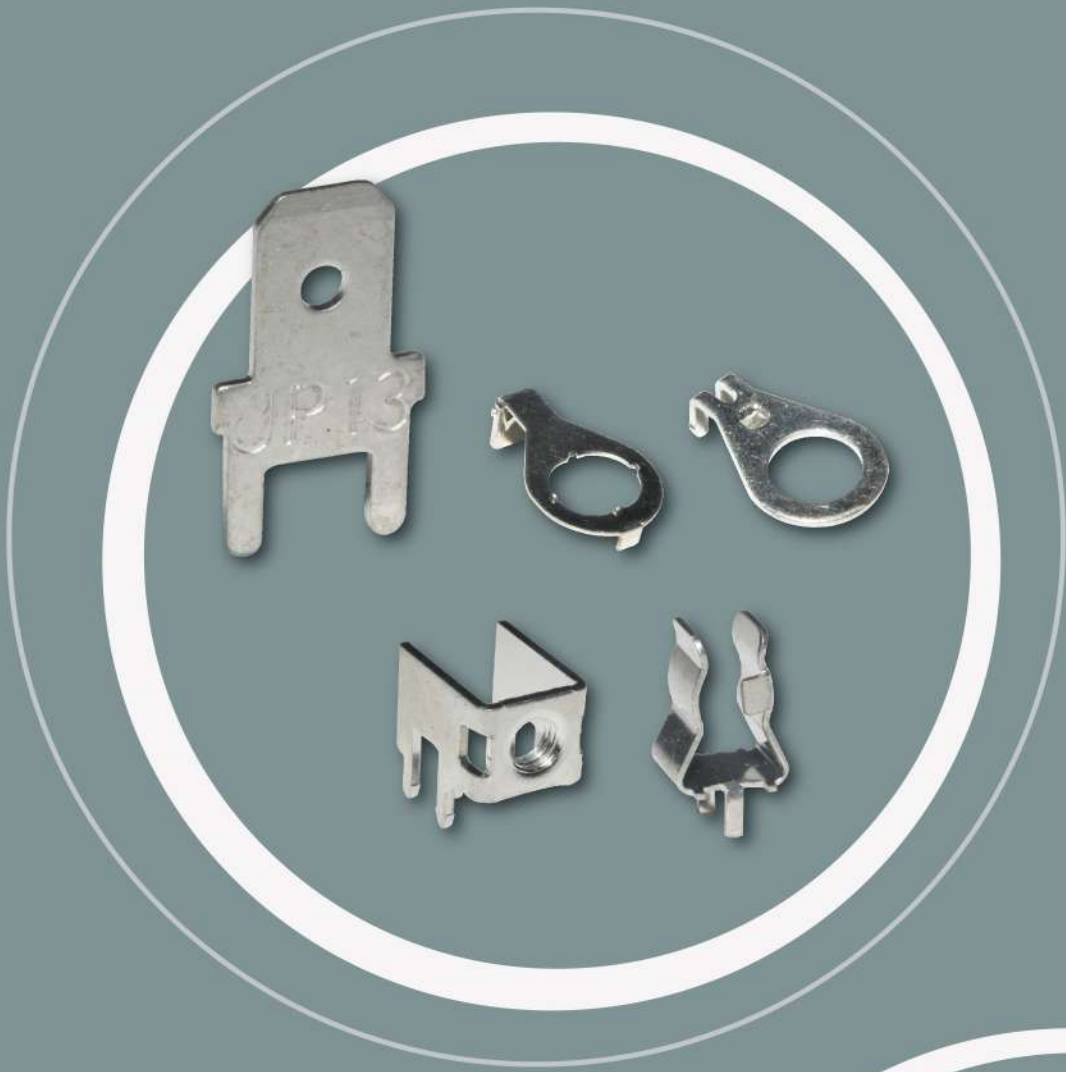
固定座 MOUNT

MATERIAL: NYLON 66(UL)
FLAME CLASS: 94V-0
COLOR: NATURAL

NEW



PART NO	A	B	C	PACKAGE
★ MPV-86GT	33.5	49.15	86.25	50



端子附件
CONNECTORS



五金
WIRE CLIPS,
TEST PIN

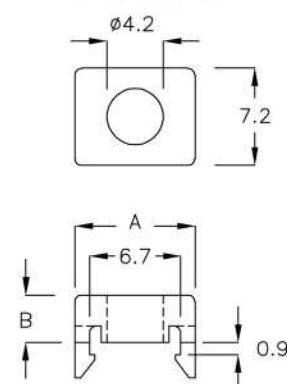
14-2-1



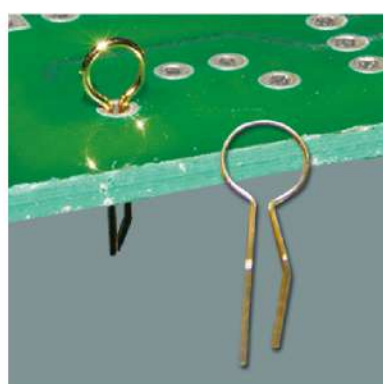
端子隔離座 CONNECTOR SADDLE

MATERIAL: NYLON 66(UL)
 FLAME CLASS: 94V-2
 COLOR: BLACK
 USE WITH P.G PART "JH-8"
 (Page 14-4-2)

PART NO	A	B	PACKAGE
P-2	8.7	3.5	1000



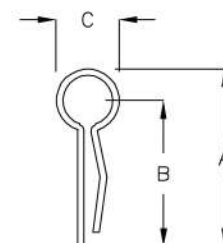
14-2-2



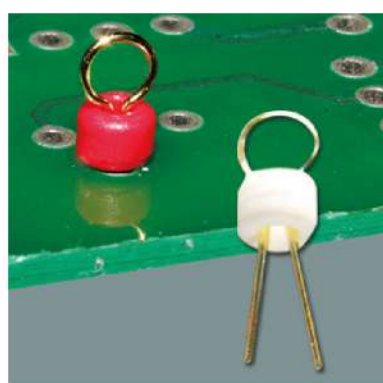
測試點 TEST PIN

MATERIAL: PHOSPHOR BRONZE WIRE
 PLATING: GOLD
 COLOR: GOLD
 HOLE IN P.C.B: $\phi 0.9 \sim \phi 1.0$

PART NO	A	B	C	PACKAGE
JT-0	9.5	8.1	$\phi 2.8$	1000
JT-1S	10.65	8.75	$\phi 3.8$	



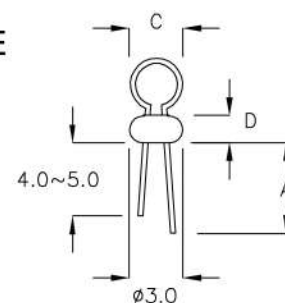
14-2-3



測試點 TEST PIN

MATERIAL: PHOSPHOR BRONZE WIRE
 PLATING: GOLD
 PLASTIC: PBT
 COLOR: RED, YELLOW, GREEN
 BLUE, BLACK, WHITE
 HOLE IN P.C.B: $\phi 0.9 \sim \phi 1.0$

PART NO	A	C	D	PACKAGE
JT-1K	5.0~6.0	$\phi 3.1$	3.3	1000
JT-1P	5.0~6.0	$\phi 3.1$	2.2	



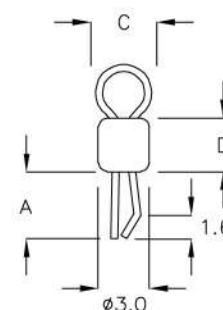
14-2-4



測試點 TEST PIN

MATERIAL: PHOSPHOR BRONZE WIRE
 PLATING: GOLD
 PLASTIC: PBT
 COLOR: GOLD, YELLOW
 HOLE IN P.C.B.: $\phi 0.9 \sim \phi 1.0$

PART NO	A	C	D	PACKAGE
JT-1Q	3.6~4.0	$\phi 3.1$	3.3	1000

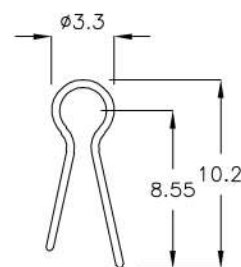


14-3-1



測試點 TEST PIN (JT-1N)

MATERIAL: PHOSPHOR BRONZE WIRE
 PLATING: GOLD
 COLOR: GOLD
 HOLE IN P.C.B: $\phi 0.9 \sim \phi 1.0$
 PACKAGE: 1000



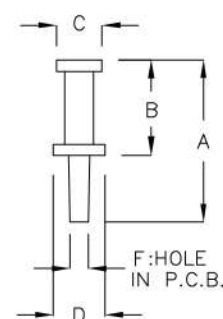
14-3-2



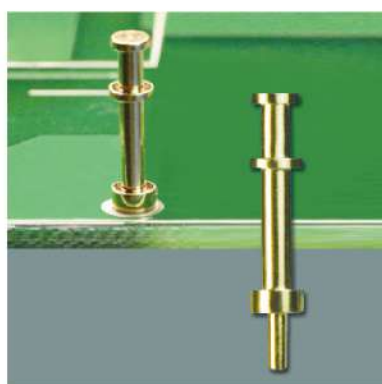
測試點 TEST PIN

MATERIAL: BRASS
 PLATING: GOLD
 COLOR: GOLD
 F: HOLE IN P.C.B

PART NO	A	B	C	D	F	PACKAGE
JT-8	7.9	4.7	$\phi 2.2$	$\phi 2.5$	$\phi 1.0$	1000
JT-8A	8.0	5.0	$\phi 1.6$	$\phi 1.6$	$\phi 0.8$	



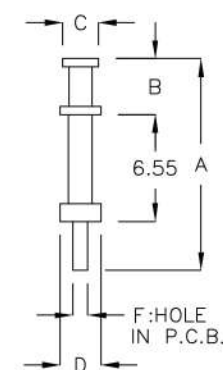
14-3-3



測試點 TEST PIN

MATERIAL: BRASS
 PLATING: GOLD
 COLOR: GOLD
 F: HOLE IN P.C.B

PART NO	A	B	C	D	F	PACKAGE
JT-13	13.0	3.45	$\phi 2.2$	$\phi 2.5$	$\phi 0.9$	1000



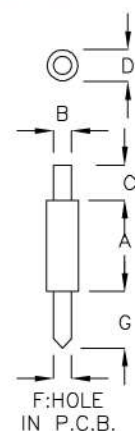
14-3-4



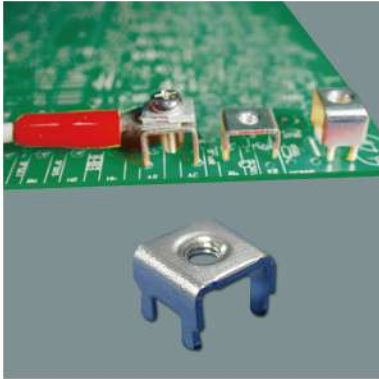
測試點 TEST PIN

MATERIAL: BRASS
 PLATING: TIN
 F: HOLE IN P.C.B

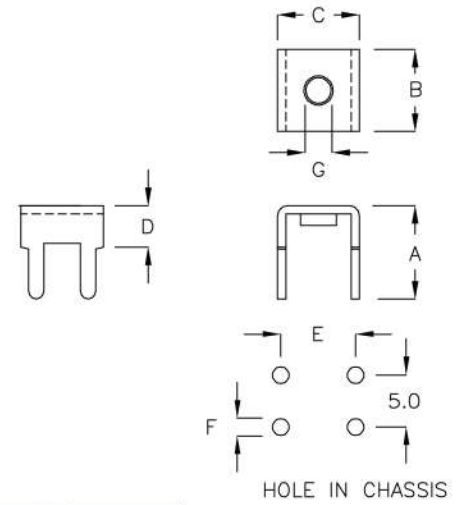
PART NO	A	B	C	D	F	G	PACKAGE
JT-08D	2.0	$\phi 1.0$	2.0	$\phi 1.8$	$\phi 1.05$	4.5	1000
JT-9	4.5	$\phi 1.04$	1.0	$\phi 1.8$	$\phi 1.05$	3.5	
JT-9A	5.0	$\phi 1.0$	1.0	$\phi 1.8$	$\phi 1.05$	3.5	
JT-10	4.5	$\phi 1.04$	2.0	$\phi 1.8$	$\phi 1.05$	3.5	
JT-10AM	2.0	$\phi 2.0$	2.5	$\phi 2.8$	$\phi 2.05$	6.0	
JT-10CR	2.0	$\phi 1.0$	2.0	$\phi 1.8$	$\phi 1.05$	6.0	



端子 CONNECTOR

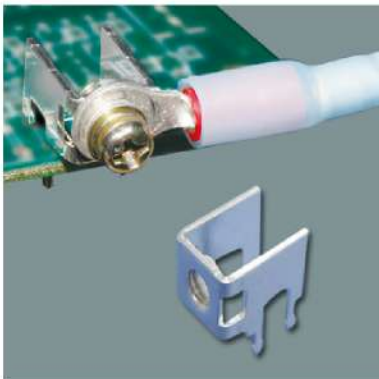


MATERIAL: BRASS
PLATING: TIN

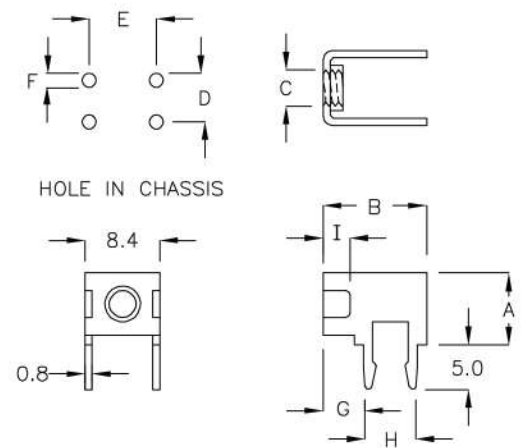


PART NO	A	B	C	D	E	F	G	PACKAGE
JH-4A	6.5	7.9	7.9	4.0	7.2	∅1.75	M3	500
JH-4	9.0	7.9	7.9	4.0	7.2	∅1.75	M3	
JH-4L	12.5	9.2	11.1	8.5	10.1	∅1.8	M4	200
JH-04K	12.5	9.0	11.1	8.5	10.15	∅1.8	M5	
JH-5	9.0	9.2	11.2	5.0	10.15	∅1.85	M4	500
JH-05A	10.3	8.0	8.0	7.8	7.0	∅1.7	#6-32	

端子 CONNECTOR

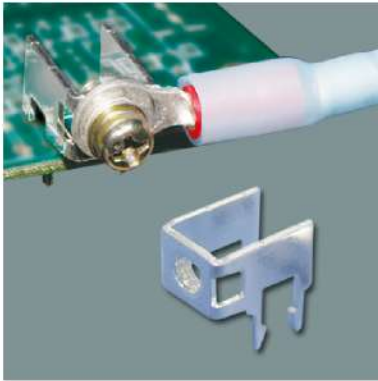


MATERIAL: BRASS
PLATING: TIN
C: SCREW
USE WITH P.G PART "P-2"
(Page 14-2-1)

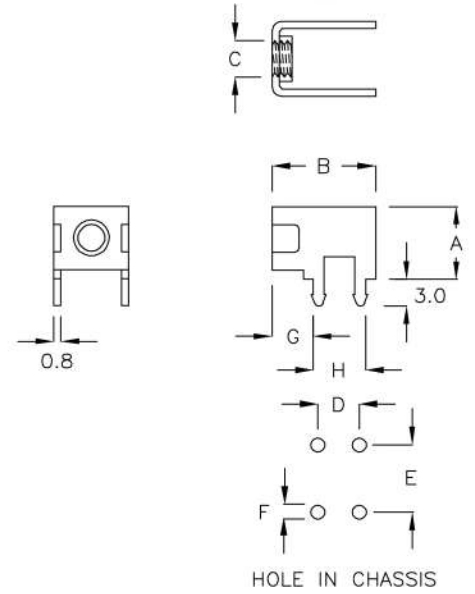


PART NO	A	B	C	D	E	F	G	H	I	PACKAGE
JH-8	8.0	11.4	M4	4.6	7.5	∅1.7	4.4	6.0	2.9	500
JH-8M3	8.0	11.4	M3	4.6	7.5	∅1.7	4.4	6.0	2.9	
JH-009	8.0	11.5	M4	5.2	7.6	∅1.85	4.2	6.6	3.0	

14-5-1



端子 CONNECTOR
 MATERIAL: BRASS
 PLATING: TIN
 C: SCREW

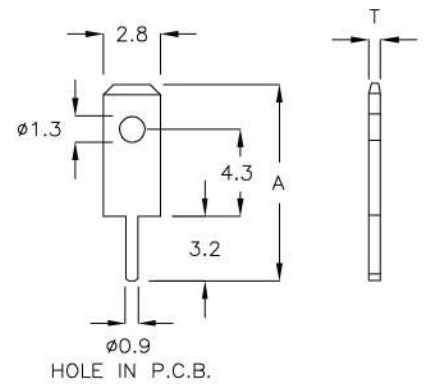


PART NO	A	B	C	D	E	F	G	H	PACKAGE
JH-08A	8.0	11.5	M4	4.6	7.5	∅1.7	4.6	5.8	500

14-5-2



端子 CONNECTOR
 MATERIAL: BRASS
 PLATING: TIN

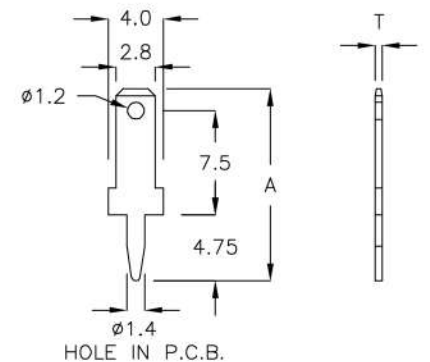


PART NO	A	T	PACKAGE
JP-9K	9.7	0.8	2000

14-5-3

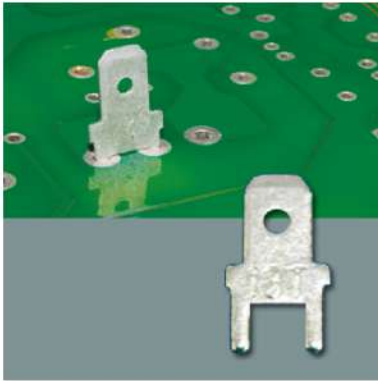


端子 CONNECTOR
 MATERIAL: BRASS
 PLATING: TIN



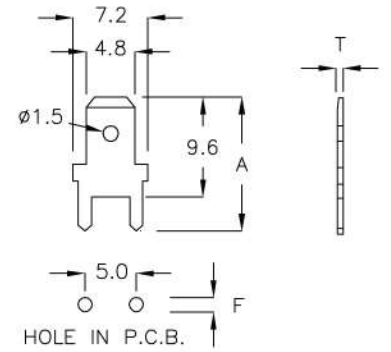
PART NO	A	T	PACKAGE
JP-14K	13.8	0.5	2000

14-6-1

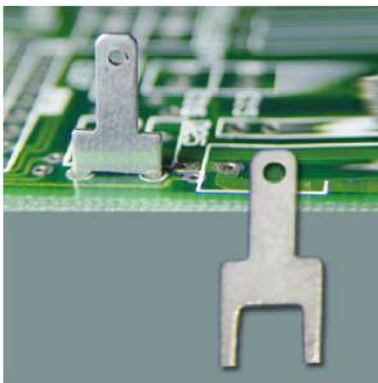


端子 CONNECTOR
MATERIAL: BRASS
PLATING: TIN

PART NO	A	F	T	PACKAGE
JP-13	13.1	∅1.35	0.5	2000
JP-13T	13.1	∅1.4	0.8	

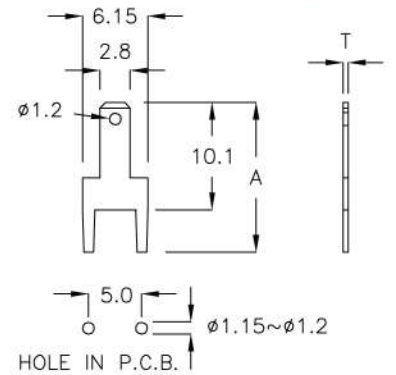


14-6-2

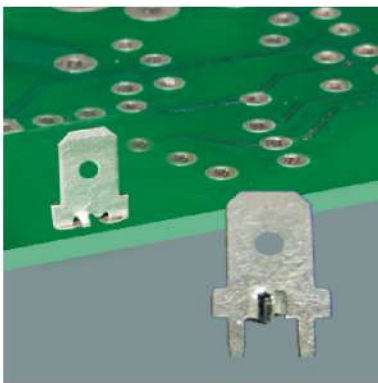


端子 CONNECTOR
MATERIAL: BRASS
PLATING: TIN

PART NO	A	T	PACKAGE
JP-14A	14.1	0.5	2000

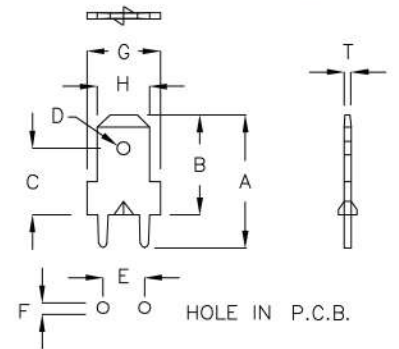


14-6-3

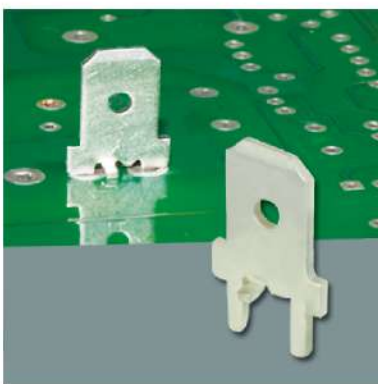


端子 CONNECTOR
MATERIAL: BRASS
PLATING: TIN

PART NO	A	B	C	D	E	F	G	H	T	PACKAGE
JP-14B	13.7	10.2	5.4	∅1.7	5.0	∅1.48	8.2	6.3	0.8	2000
JP-14C	14.1	10.7	6.0	∅1.8	5.0	∅1.43	8.6	6.3	0.8	
JP-16B	16.2	12.2	8.0	∅1.6	5.0	∅1.38	8.8	6.3	0.8	

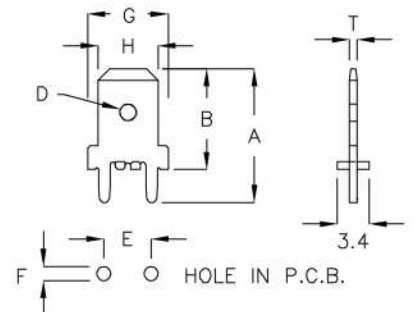


14-6-4

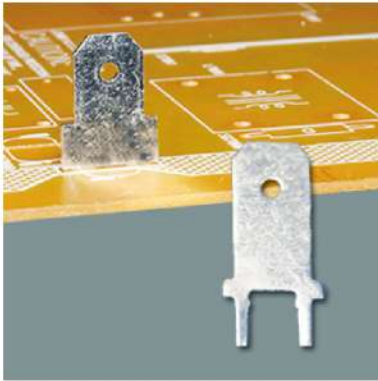


端子 CONNECTOR
MATERIAL: BRASS
PLATING: TIN

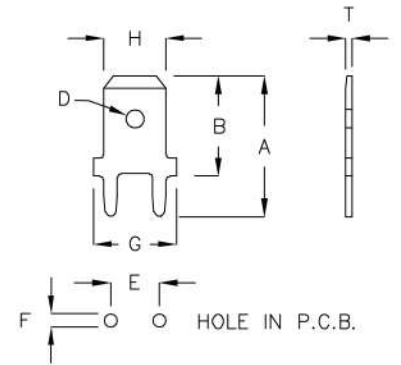
PART NO	A	B	D	E	F	G	H	T	PACKAGE
JP-14P	14.1	10.6	∅1.8	5.0	∅1.5	8.5	6.4	0.8	1000



14-7-1

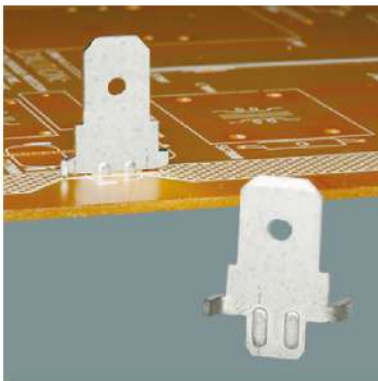


端子 CONNECTOR
MATERIAL: BRASS
PLATING: TIN

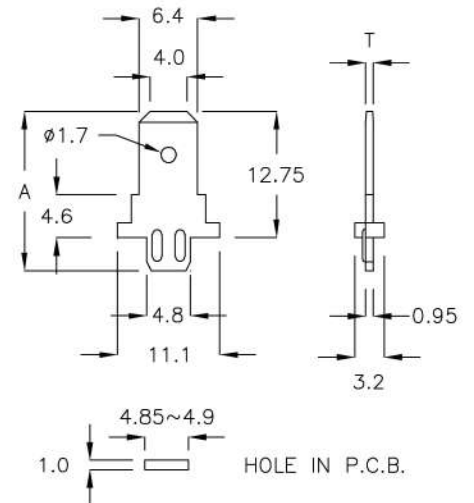


PART NO	A	B	D	E	F	G	H	T	PACKAGE
JP-14	14.0	10.2	∅2.0	5.0	∅1.35~∅1.4	8.0	6.4	0.8	2000
JP-15	15.1	12.1	∅1.5	6.4	∅1.1~∅1.15	9.0	6.0		
JP-16	16.0	12.0	∅1.5	5.0	∅1.8~∅1.85	8.8	6.3		
JP-16A	16.3	12.3	∅1.6	5.0	∅1.45~∅1.5	8.8	6.5		
JP-17	17.0	10.6	∅1.7	5.0	∅1.50~∅1.52	8.0	6.4		
JP-18	18.0	13.6	∅1.5	5.0	∅1.65~∅1.7	8.1	6.3		

14-7-2

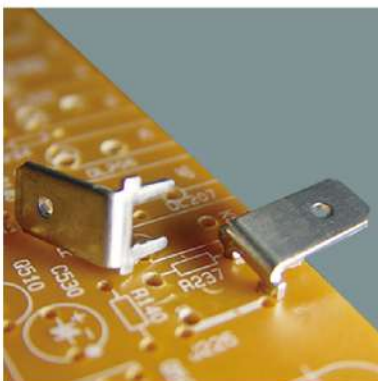


端子 CONNECTOR
MATERIAL: BRASS
PLATING: TIN

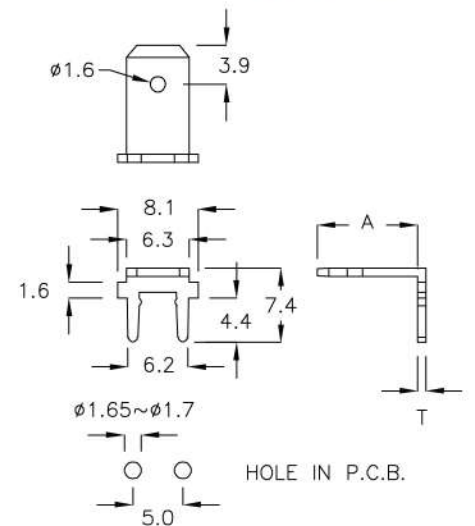


PART NO	A	T	PACKAGE
JP-16D	16.35	0.8	2000

14-7-3

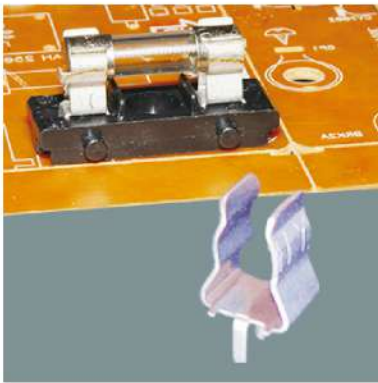


端子 CONNECTOR
MATERIAL: BRASS
PLATING: TIN



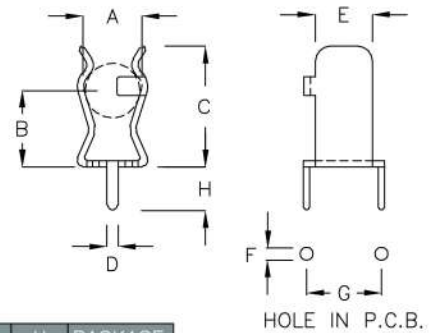
PART NO	A	T	PACKAGE
JP-18L	10.9	0.8	2000

14-8-1



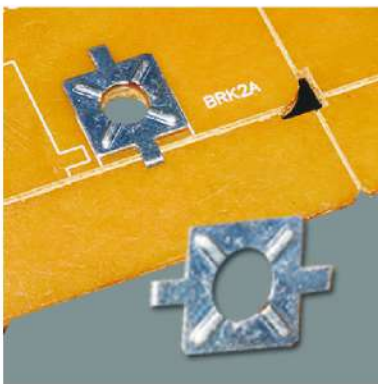
保險絲座 FUSE HOLDER

MATERIAL: BRONZE
PLATING: TIN
A: FUSE DIA



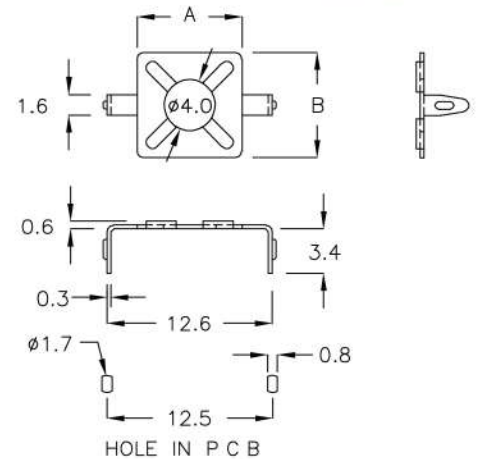
PART NO	A	B	C	D	E	F	G	H	PACKAGE
FC-002	ø3.7	5.15	8.9	1.2	4.5	ø1.25	4.9	3.5	2000

14-8-2



端子 CONNECTOR

MATERIAL: BRONZE
PLATING: TIN



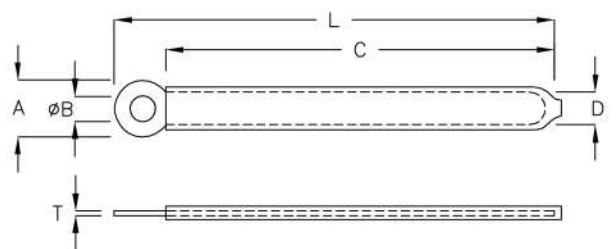
PART NO	A	B	PACKAGE
JG-7	8.0	8.0	2000

14-8-3



電線固定片 LOCKING CABLE CLIP

MATERIAL: SPTE+HEAT SHRINKING TUBE
or SECC+ HEAT SHRINKING TUBE
COLOR: BLACK



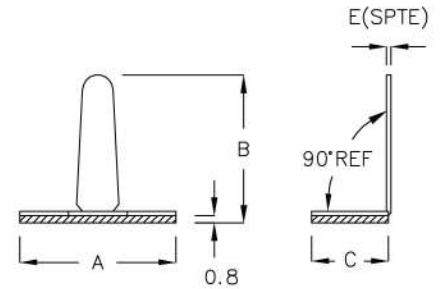
PART NO	A	B	C	D	L	T	PACKAGE
WC-1A	7.6	3.1	27.5	1.6	35.6	0.3	1000
WC-1AM	5.6	2.8	30.1	1.7	35.6	0.6	
WC-1AL	7.6	3.1	27.5	1.6	35.6	0.6	
WC-1	8.0	3.4	33.5	4.0	41.0	0.3	
WC-2	8.0	3.4	48.2	4.0	55.8	0.3	
WC-2A	8.0	3.4	52.5	3.0	60.0	0.3	
WC-2L	8.0	3.2	46.5	6.0	54.0	0.45	
WC-2LC	8.0	3.2	46.5	6.0	54.0	0.25	
WC-3	8.0	4.1	48.2	4.0	56.0	0.3	
WC-3A	8.0	4.1	48.2	4.0	56.0	0.5	
WC-3L	8.0	4.1	78.5	4.0	86.0	0.5	
WC-6	8.0	3.4	52.3	3.0	60.0	0.5	
WC-7	9.0	6.1	61.4	4.0	70.0	0.4	
WC-11	10.0	5.3	100.4	4.0	110.0	0.5	500

14-9-1



電線固定片 LOCKING CABLE CLAMP

MATERIAL: SPTE
ADHESIVE TAPE: 3M



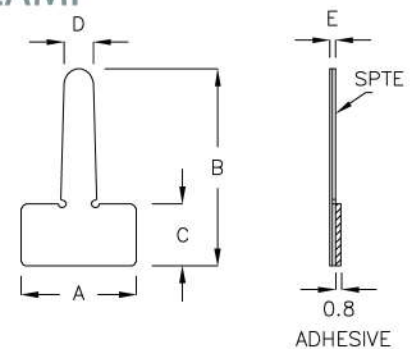
PART NO	A	B	C	E	PACKAGE
JFW-4L	15.1	14.3	7.7	0.4	500

14-9-2



電線固定片 LOCKING CABLE CLAMP

MATERIAL: SPTE+LINT SKIN
ADHESIVE TAPE: 3M



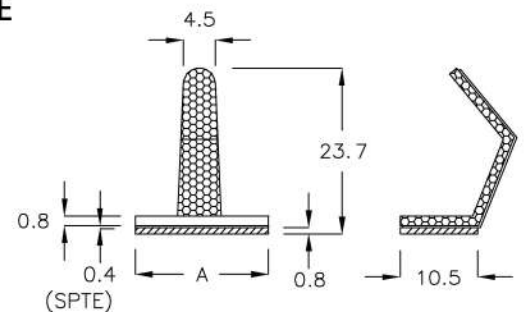
PART NO	A	B	C	D	E	PACKAGE
JFW-5	18.5	29.2	10.0	5.1	0.7	500

14-9-3



電線固定片 LOCKING CABLE CLAMP

MATERIAL: SPTE+SPONGE
ADHESIVE TAPE: 3M



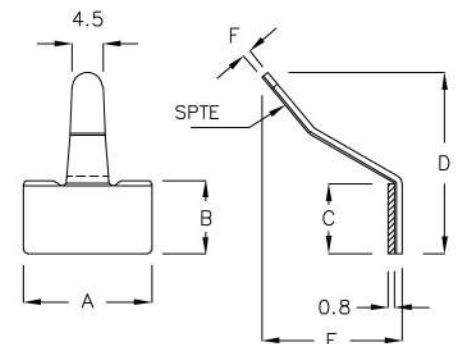
PART NO	A	PACKAGE
JFW-7	18.5	500

14-9-4



電線固定片 LOCKING CABLE CLAMP

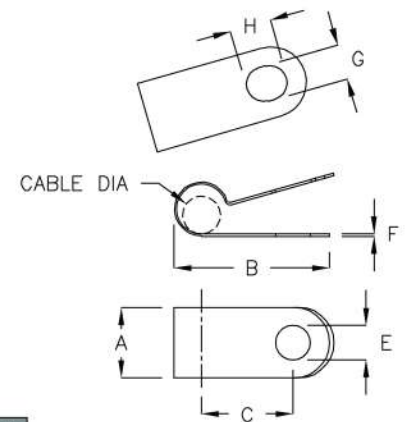
MATERIAL: SPTE+SPONGE
ADHESIVE TAPE: 3M



PART NO	A	B	C	D	E	F	PACKAGE
JFW-7K	18.5	10.5	10.0	26.1	20.2	1.1	500

接地線夾 GROUNDING CABLE CLAMP

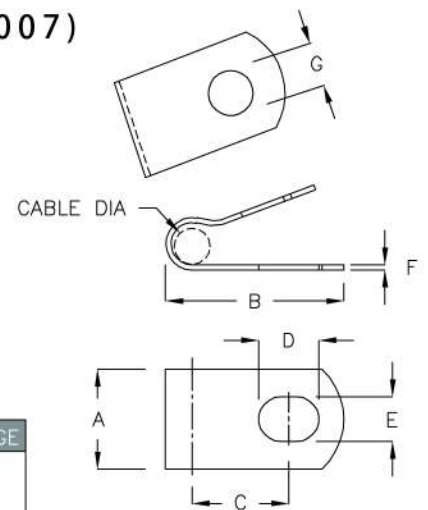
MATERIAL: SPTE



PART NO	A	B	C	E	F	G	H	CABLE DIA	PACKAGE
FN-008	8.5	14.3	8.5	∅4.2	0.3	∅4.2	5.0	∅2.5	500
FN-010	8.6	19.6	11.3	∅4.2	0.6	∅4.2	5.0	∅5.8	
FN-011	8.5	18.7	11.0	∅4.2	0.3	∅4.2	5.0	∅4.8	

接地線夾 GROUNDING CABLE CLAMP

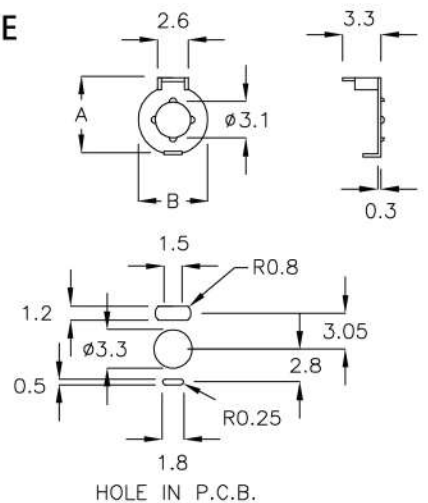
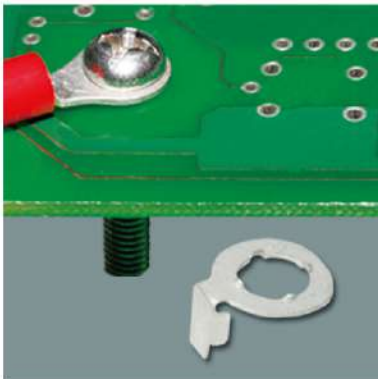
MATERIAL: SPCC (FN-005, FN-007)
MATERIAL: STEEL (FN-017)
PLATING: NI



PART NO	A	B	C	D	E	F	G	CABLE DIA	PACKAGE
FN-005	10.1	18.4	10.25	6.0	∅4.5	0.5	∅4.4	∅3.0~∅2.8	500
FN-007	9.8	18.5	10.0	6.0	∅4.5	0.5	∅4.4	∅3.7~∅3.9	
FN-017	8.6	19.8	11.0	6.0	∅4.5	0.3	∅4.5	∅6.4	

接地端子 GROUNDING CONNECTOR

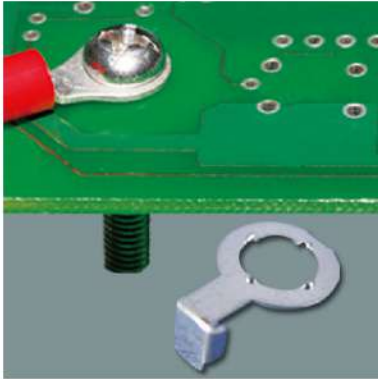
MATERIAL: PHOSPHOR BRONZE
PLATING: TIN



PART NO	A	B	PACKAGE
JG-6	6.5	∅5.9	2000

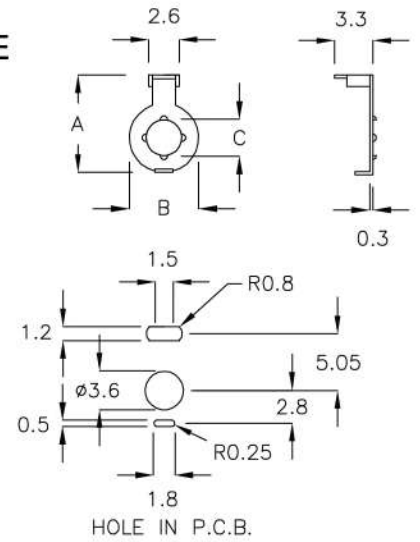
HOLE IN P.C.B.

接地端子 GROUNDING CONNECTOR

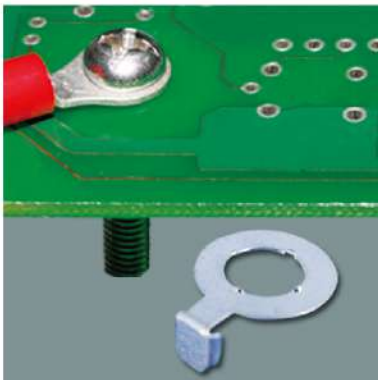


MATERIAL: PHOSPHOR BRONZE
PLATING: TIN

PART NO	A	B	C	PACKAGE
JG-6L	8.5	φ5.9	φ3.1	2000
JG-06A	8.5	φ5.9	φ3.6	

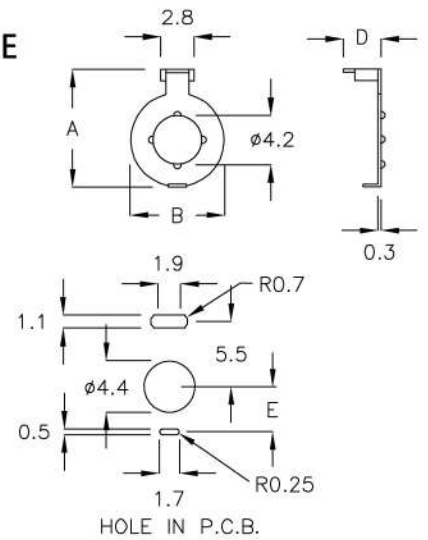


接地端子 GROUNDING CONNECTOR

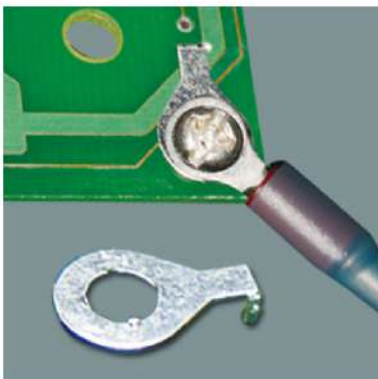


MATERIAL: PHOSPHOR BRONZE
PLATING: TIN

PART NO	A	B	D	E	PACKAGE
JG-9	10.0	φ8.0	3.2	3.8	2000
JG-09A	10.5	φ8.0	1.8	4.35	

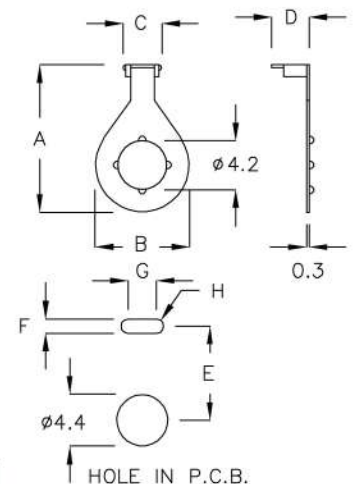


接地端子 GROUNDING CONNECTOR



PLATING: TIN

PART NO	A	B	C	D	E	F	G	H	MATERIAL	PACKAGE
JG-9S	10.0	φ8.0	2.8	3.2	5.5	1.1	1.9	R0.7	PHOSPHOR BRONZE	2000
JG-10	12.5	φ8.0	3.3	3.5	8.0	1.2	2.4	R0.6	BRASS	



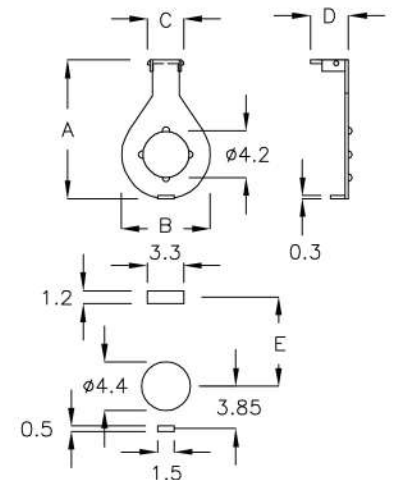
14-12-1

接地端子 GROUNDING CONNECTOR



MATERIAL: BRASS
PLATING: TIN

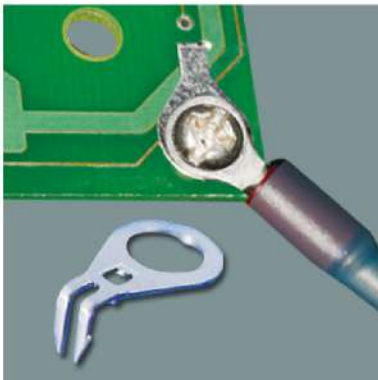
PART NO	A	B	C	D	E	PACKAGE
JG-10C	12.5	∅8.0	3.3	3.5	8.0	2000



HOLE IN P.C.B.

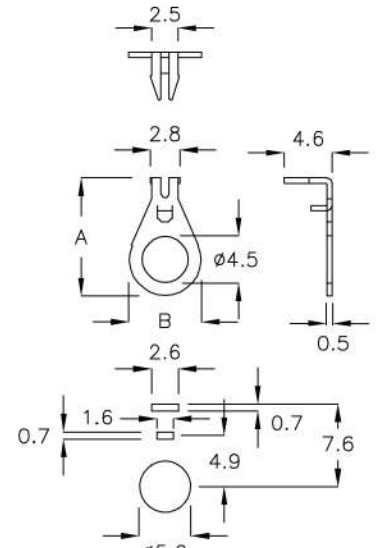
14-12-2

接地端子 GROUNDING CONNECTOR



MATERIAL: BRASS
PLATING: TIN

PART NO	A	B	PACKAGE
JG-11	11.35	∅7.0	2000



HOLE IN P.C.B.

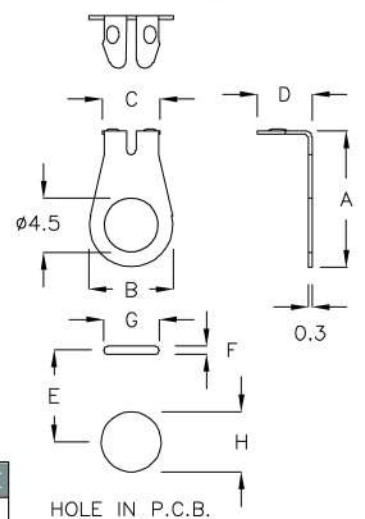
14-12-3

接地端子 GROUNDING CONNECTOR



MATERIAL: BRASS
PLATING: TIN

PART NO	A	B	C	D	E	F	G	H	PACKAGE
JG-11A	11.4	∅7.0	4.8	4.6	7.6	0.7	4.6	∅5.0	2000
JG-11D	11.4	∅7.0	4.2	4.6	7.6	0.7	4.0	∅5.0	



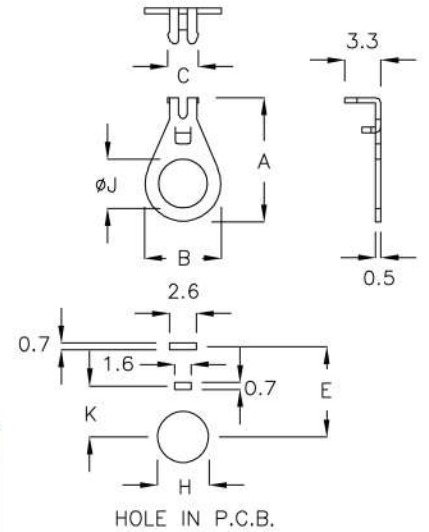
HOLE IN P.C.B.

14-13-1

接地端子 GROUNDING CONNECTOR



MATERIAL: BRASS
PLATING: TIN



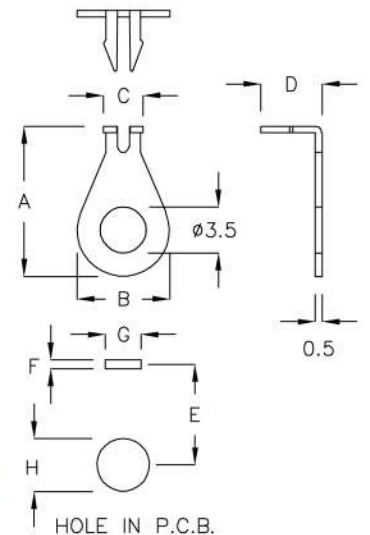
PART NO	A	B	C	E	H	J	K	PACKAGE
JG-11C	11.35	ø7.0	2.8	7.6	ø5.0	ø4.5	4.9	2000
JG-11F	11.35	ø7.0	2.8	7.6	ø5.0	ø5.0	4.9	
JG-11H	14.75	ø7.0	2.8	11.0	ø5.0	ø5.0	6.5	
JG-11K	14.75	ø7.0	2.8	11.0	ø5.5	ø5.5	6.5	

14-13-2

接地端子 GROUNDING CONNECTOR



MATERIAL: BRASS
PLATING: TIN



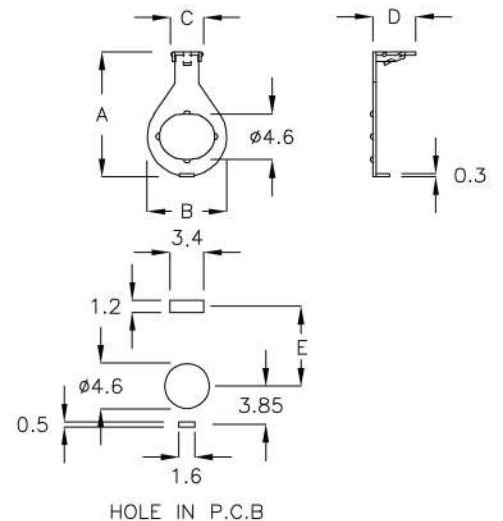
PART NO	A	B	C	D	E	F	G	H	PACKAGE
JG-13	11.4	ø7.0	3.0	4.6	7.6	0.7	2.7	ø4.0	2000

14-13-3

接地端子 GROUNDING CONNECTOR



MATERIAL: BRASS
PLATING: TIN

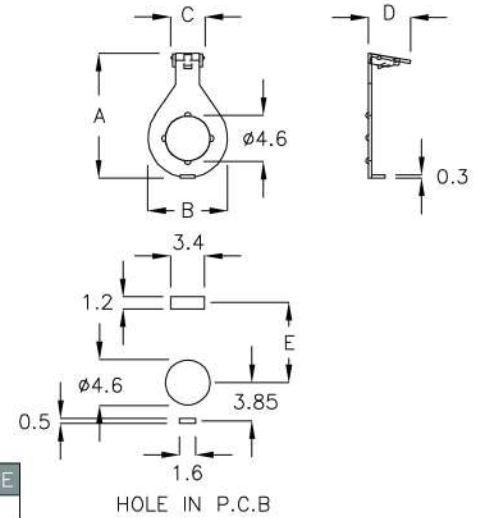


PART NO	A	B	C	D	E	PACKAGE
JG-14	12.5	ø8.0	3.3	4.25	8.0	2000

接地端子 GROUNDING CONNECTOR



MATERIAL: BRASS
PLATING: TIN

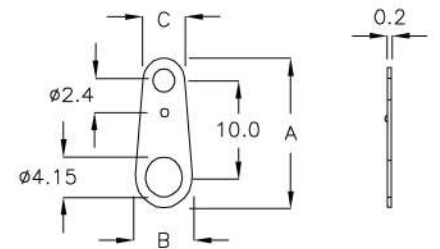


PART NO	A	B	C	D	E	PACKAGE
JG-15	12.5	8.0	3.3	4.2	8.0	2000

接地端子 GROUNDING CONNECTOR



MATERIAL: BRASS
PLATING: TIN

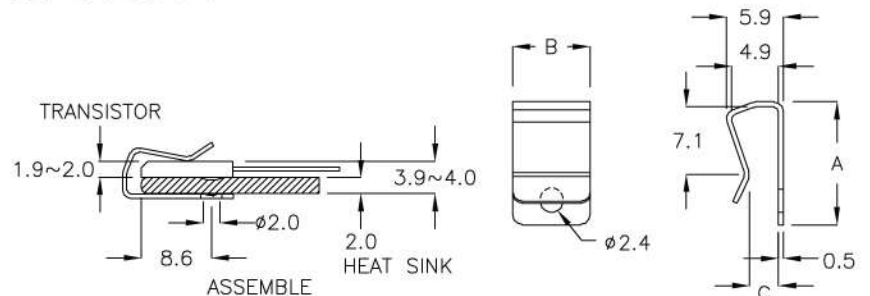


PART NO	A	B	C	PACKAGE
LUG-4	15.5	$\phi 6.4$	$\phi 4.6$	2000

電晶體固定片 TRANSISTOR CLIP



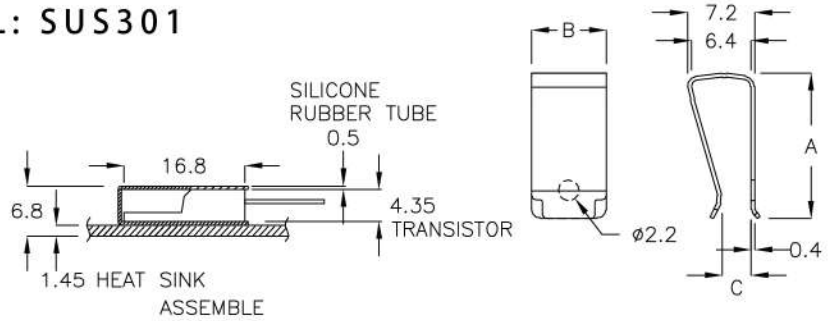
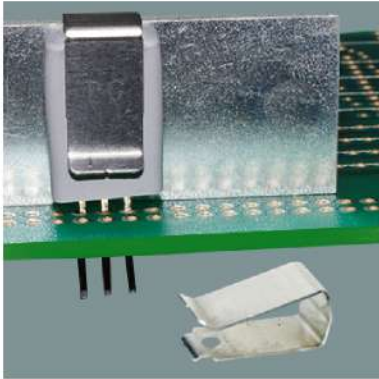
MATERIAL: SUS301



PART NO	A	B	C	PACKAGE
IRK-12H	12.7	8.0	3.0	1000

電晶體固定片 TRANSISTOR CLIP

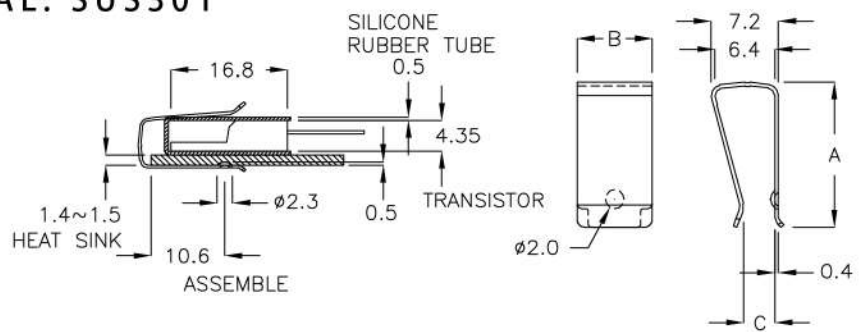
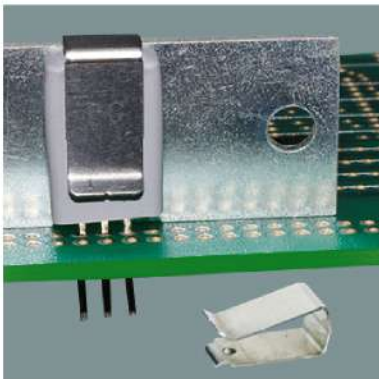
MATERIAL: SUS301



PART NO	A	B	C	PACKAGE
IRK-15BM	15.5	8.0	3.1	1000

電晶體固定片 TRANSISTOR CLIP

MATERIAL: SUS301



PART NO	A	B	C	PACKAGE
IRK-15KT	15.5	8.0	3.3	1000



總公司

11577 台北市八德路四段768巷1弄8號
 HEAD OFFICE:
 NO.8,ALLEY 1,LANE 768,SEC 4 PATEH RD.,
 TAIPEI,11577 TAIWAN
 TEL: 886-2-27885767
 FAX: 886-2-27885768
 E-MAIL: sales@pingood.com.tw
 http://www.pingood.com.tw

中壢工廠

32063 桃園市中壢區東園路9號
 ZHONGLI FACTORY:
 NO.9,DONGYUAN RD.,ZHONGLI DIST.,
 TAOYUAN CITY 32063 TAIWAN

品基電子(東莞)有限公司

廣東省東莞市塘廈鎮平山188工業區果岭路6號
 DONGGUAN FACTORY:
 NO.6,GUO LING RD.,188 PING SHAN
 MANAGEMENT ZONE,TANG XIA,DONGGUAN,
 GUANGDONG,CHINA
 TEL: 86-769-87910231
 FAX: 86-769-87910232
 E-MAIL: pj@pingood.com.cn

蘇州品基電子科技有限公司

江蘇省蘇州市吳中區橫涇街道天鵝蕩路2986號
 SUZHOU FACTORY:
 NO.2986,TIAN EDANG RD.,HENGJING TOWN,
 WUZHONG,SUZHOU JIANGSU PROVINCE CHINA
 TEL: 86-512-65629123 FAX: 86-512-65611221
 E-MAIL: spj@pingood.com.cn

SINGAPORE BRANCH

UNITRONIC COMPONENTS PTE.LTD
 TEL: 65-2847555 FAX: 65-2842877



ISO-14001



ISO - 9001



www.pingood.com.tw