

PLASTIC ELECTRONIC PRODUCTS

電子電腦塑膠零件
固扣件專業設計製造廠

品固品基

2024
43th PINGOOD

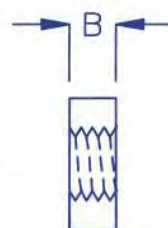
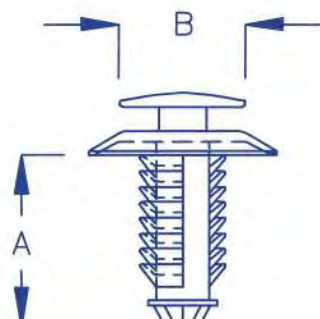
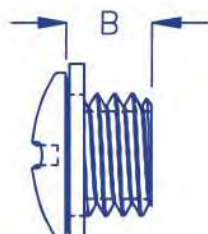
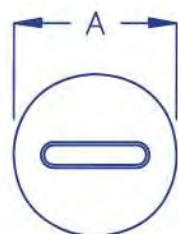
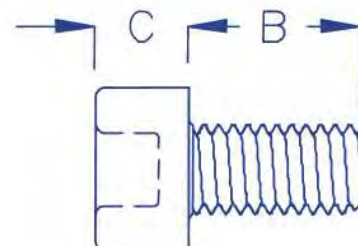
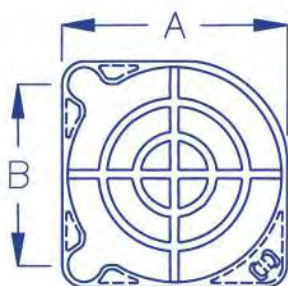
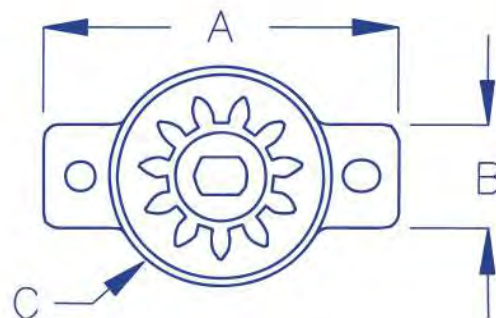
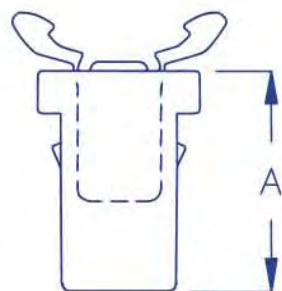


IATF 16949

ISO 9001

ISO 14001

QC080000



共同設計開發製造、共同設計服務製造 JDVM, JDVM



PINGOOD ENTERPRISE CO., LTD.

NO.8, ALLEY 1, LANE 768, SEC.4 PATEH RD., TAIPEI 115027, TAIWAN

TEL: 886-2-27885767 FAX: 886-2-27885768 <http://www.pingood.com.tw>



蘇州品基電子科技有限公司
FACTORY: SUZHOU, CHINA



品固企業股份有限公司 台北總公司
HEADQUARTERS: TAIPEI, TAIWAN



品基電子(東莞)有限公司
FACTORY: DONGGUAN, CHINA
2022年5月啟用



品固企業股份有限公司 中壢工廠
FACTORY: ZHONGLI, TAIWAN
2024年6月啟用

公司簡介

公司名稱：品固企業股份有限公司
(品基東莞，蘇州品基)

設立時間：1982年6月15日(成立43年)

資本額：新台幣 126,000,000 元

地址：台北市南港區八德路四段 768 巷 1 弄 8 號

電話：886-2-27885767

傳真：886-2-27885768

部門分類：業務部，研發部，財務部，生管部，模具製造部，品管部，MIS 部門，ERP 部門，總經理室，廠務部，資材部

Company Profile

Company: PINGOOD Enterprise Co., Ltd.

Founded: June 15 th, 1982.

(43 th Anniversary)

Capital: US\$4,200,000.00

Address: No.8, Alley 1, Lane 768, Sec.4 Pateh Rd., Taipei 115027, Taiwan

Telephone : 886-2-27885767

FAX : 886-2-27885768

Department: Sales&Marketing, R&D, Finance, Production, Molding, Q.C, MIS, ERP...etc.

台北總公司面積：2800 平方公尺
中壢工廠面積：16000 平方公尺
中壢工廠地址：桃園市中壢區東園路
21 號
模具廠面積：800 平方公尺
品基東莞工廠面積：36000 平方公尺
品基東莞工廠地址：廣東省東莞市塘廈
鎮果嶺路 1 號
蘇州品基工廠面積：12000 平方公尺
蘇州品基工廠地址：江蘇省蘇州市吳中
區橫涇街道天鵝蕩路 2986 號
設備：射出成型機，CNC 放電加工機，
CNC 線割機，CNC 綜合加工機 ...etc.
實驗室儀器：3D 影像量測儀，X-Ray 光
譜儀，氣相色譜質譜聯用儀，環境實驗
機，影像量測儀，顯微鏡投影機，繪圖機，
萬能破壞機，高阻抗測試機，拉力機，自
動測試機 ...etc.
國內主要客戶：各大股票上市上櫃之電
腦電子產品製造廠及相關產品製造商。
國外主要客戶：DELL，HITACHI，
SONY，HP，SHARP，...etc.
海外行銷：本公司海外行銷遍及五大洲
產品認證：UL
公司認證：ISO9001, IATF 16949
工廠認證：ISO9001, ISO14001,
QC080000, IATF 16949 認證

- * 所有尺寸及規格均以本公司之產品承認書為主，目錄尺寸，僅供參考
- * 本公司產品未標示單位皆採 mm 之公制單位
- * 目錄建議裝配方式，僅供參考
- * 目錄之包裝數量，僅供參考
- * 標示 **NEW**，★ 為新產品
- * 歡迎各界大鑒不吝來電賜教，本公司定當竭誠為您服務
- * 發行日期：2023 年 11 月 1 日

Taipei ,Taiwan HQ: 2,800 m²
Company Owned Factory :
Zhongli Dist,Taiwan : 16,000 m²
Mold Factory Area: 800 m²
Dongguan ,China : 36,000 m²
Suzhou ,China : 12,000 m²
Facilities: In-house Design, In-house
tool shop, Injection line
Sales Territory: Worldwide
Certificate: UL, ISO9001, ISO14001,
QC080000, IATF 16949

- *This catalogue is only subsidiary for your reference; all the measurments and dimensions are according to the "DATA SHEET" issued by PINGOOD.
 - *All measures are in metric unit of "mm"scale except noted.
 - *Catalogue assembly methods for reference only.
 - *Catalogue package amounts for reference only.
 - *The marking " **NEW** ", " ★ " appearing on a new product.
 - *Detailed information will be provided upon request, please kindly contact us for the best customer service, information is available via email at pingood@pingood.com.tw.
- Issue Date:** Nov.1 , 2023



Our Strengths

We Can Offer fast services, efficient solution and High standard of reliable Quality.



Product:

More than 10,000 SKUs standard ready parts, Specialized in Custom parts as well.

Manufacture:

In-house total solution from Design & tooling to mass production to offer appropriate delivery.

Upgrade Facilities:

To meet compact design trend of small size product, Our mission to Provide the best equipment fulfill the customer's request.

Marketing support:

General Catalogue, E-catalogue; Resource website: High visibility on sourcing from PINGOOD website.



www.pingood.com.tw



品固企業環境管理物質沿革

自 2006 年起，本公司所有產品已全面導入符合歐盟 RoHS 指令的要求，環保檢測實驗室亦同時成立。

2009 年起，因應國際綠色組織提出鹵素化合物對於人體及環境具有潛在危害的訴求，開始導入無鹵素 (Halogen Free, HF) 產品。

2009 年起，歐盟 REACH 法規公布，開始與供應商合作調查產品中化學成分，確保產品中不含 REACH 法規中所規範的高關注物質 (Substance of Very High Concern, SVHC)。

2010 年，鑑於國際間關注非洲地區所開採之衝突礦產 (錫、金、鉍、鎢) 於電子電機產品中的使用狀況，品固企業產品中並不含有上述成分，亦要求供應商需於材料承認階段，即承諾產品中不可使用衝突礦產。

ISO9001 品質管理系統政策：

全員參與、客戶滿意、員工高興、永續經營

品固企業致力於品質持續改善的過程，以符合 ISO 9001 品質管理系統之需求，為此目標我們必須提供最優等的產品和服務品質，來實現海內外廣大客戶群品質滿意的保證。

ISO14001 環境管理系統政策：

節省能源減少廢棄物、減低污染回收再利用

環境保護是品固企業身為地球公民一份子的重要責任，品固企業向其所有員工，客戶及社會大眾承諾，每一管理運作均以可靠的，符合環境保護的方式進行，製程中所產生的各項污染，廢棄物的預防及減低，以及資源回收再利用，是我們對環境保護持續改善的主要方向。

QC 080000 產品無有害物質管理系統政策：

符合法規預防汙染、綠色採購持續改善

面對當前全球環境保護趨勢及各項環境保護法令之持續要求，品固企業持續以最新的技術及不間斷之管理制度，善盡地球環境保護的一份心力，為社會及企業永續經營而努力，品固企業在設計初期便將環境管理物質納入設計規劃重點，嚴格要求供應鏈提供的原物料必須遵守國際相關環保法規，以及品固企業訂定的環境管理物質技術標準以及管制內容。

IATF 16949 國際汽車品質管理系統：

客戶滿意、持續改善、預防生產、降低風險

確保品固展現對品質的承諾，達到持續性的改善，並以經濟高效的方式為客戶提供更優質的產品和服務，從產品設計、開發、生產到組裝，以達到汽車工業嚴格的品質檢驗標準。



品固企業對碳排放減量之承諾

品固企業深知氣候變遷是因人類活動產生大量溫室氣體，造成了地球溫度的上升，做為地球公民的一份子，必須要善盡社會責任！

建立有效的碳 / 溫室氣體排放量的盤查，從減碳思維更進一步提昇整體作業流程，每年可以省 35 萬度的電力，在生產的過程中減少 175.7 公噸的碳排放，對廠內製程進行碳管理。品固企業推動碳 / 溫室氣體減量及改善計畫，持續對環境保護盡一份心力，以提供環保、減碳的綠色產品給廣大的海內外客戶。

品固企業從 2013 推行節能至今，推動太陽能發電，對地球環保盡一份責任。

Milestone of Green procurement of sources

2006 Meet RoHS Compliant.

2009 Meet REACH Requirement & Implement to Halogen Free products.

2010 Commit not to use conflict minerals.

ISO9001 Quality Management System

We continue following the most effective quality management system to have continuous improvements in the quality of our product & service to achieve our domestic and global customers' satisfaction.

ISO14001 Environmental Management System

Environmental Protection is all our responsibilities. PINGOOD has also adopted the internal controls to have ISO 14001 compliance from the resources and production processes to meet energy saving, reduction in waste and consumption of resources and minimize the impact to the environmental for a long term viability of businesses.

QC 080000 Hazardous Substance Process Management System

Today, we are facing the ongoing global environmental protection requirements. PINGOOD has implemented with the latest technology and continuous improvement management system to meet the environmental friendly from the design phase, material from the supply chains, to mass production all comply with the updated global environmental regulations.

IATF 16949 International Automobile Quality Management System

Our stream-line solution from design to mass production are qualified the high standard quality control in automotive industry supply chain.

Carbon footprint Verification

In 2013, PINGOOD has conducted effective carbon/GHG emission verification to further enhance overall production process flow to reduce carbon emissions and done the extra environmental protection efforts toward a long term business goal.

各項證書 Certificate

Certificate TAO170306

The Management System of
PINGOOD ENTERPRISE CO., LTD.
No. 8, Dongguan Rd., Dongguan City, Guangdong, P.R. China

has been assessed and found to be in accordance with the requirements of
ISO 9001:2015

The scope of registration appears on page 2 of this certificate.

This certificate is valid from 23 August 2021 until 23 August 2024 and remains valid subject to satisfactory surveillance audits. Recertification audit due a minimum of 30 days before the expiration date (page 1) or 12 months from 23 August 2021.

This is a multi-site certificate. Additional site details are located on a separate page.

SGS
IAF
UKAS

Authorized person: *[Signature]*

SGS
IAF
UKAS

CERTIFICATE

Hereby Grants To:

PingGood Enterprise (DongGuan) Co., Ltd.
Organization Code: 01441907704070204
Registered Address: Room 701, No. 8 Building, No. 3, Guoding Road, Tangxia Town, Dongguan City, Guangdong Province, P.R. China
Business Address: Room 701, No. 8 Building, No. 3, Guoding Road, Tangxia Town, Dongguan City, Guangdong Province, P.R. China

Has been assessed and found to be in accordance with the requirements of standard detailed below
GB/T 19001-2016/ISO 9001:2015

Scope
The Manufacture of Plastic Fittings for Electronic and Computer Equipment

Certificate No.: DZCC23060602
Certificate Issue Date: 2023-11-07
Certificate Expiration Date: 2026-11-10

The certified organization must pass surveillance audit to ensure the validity of the certificate.

Authorized by: *[Signature]*

MSCB-235
Dongguan (Guangdong) Certification Co., Ltd.
Room 110-120, Building 1 of Commercial Office Building, Phase 1, Nansha Island Garden, No. 3, Beiling 1st Street, Nansha Island, Guangzhou City, Guangdong Province, P.R. China
TEL: 020-29091977

Check the validity of this certificate on the official website of Certification and Accreditation Administration of People's Republic of China (www.cnca.gov.cn) or www.dzcc.com.cn

IAF
IAS
DZCC

Certificate of Registration

This is to certify that the Quality Management System of
Pinggood Enterprise Co., Ltd.
Unified Social Credit Code: 91441907704070204
Operative Address: No. 2068, Tiansheng Road, Hengsheng Street, Wafang District, Suzhou City, Jiangsu Province, China
Registered Address: No. 2068, Tiansheng Road, Hengsheng Street, Wafang District, Suzhou City, Jiangsu Province, China

is applicable to
Processing of plastic electronic parts

has been assessed and registered by NQA against the provisions of
ISO 9001:2015

This registration is subject to the company maintaining a quality management system to the above standard, which will be monitored by NQA. Certified Clients shall accept regular surveillance assessments. The validity of certificates shall be maintained for the positive result of audit. The maintenance of this certificate can be checked on CNCA's website (www.cnca.gov.cn) (NQA)'s website (www.nqa.com.cn).

Managing Director: *[Signature]* Certificate Number: **E3496**
Date: 23 March 2011
Issue Date: 16 April 2021
Valid Until: 16 April 2024
EAC Code: 14

IAF
UKAS

Certificate TAO153789

The Management System of
PINGOOD ENTERPRISE CO., LTD.
No. 7, Dongguan Rd., Dongguan City, Guangdong, P.R. China

has been assessed and found to be in accordance with the requirements of
ISO 14001:2015

The scope of registration appears on page 2 of this certificate.

This certificate is valid from 24 August 2021 until 04 August 2024 and remains valid subject to satisfactory surveillance audits. Recertification audit due a minimum of 30 days before the expiration date (page 1) or 12 months from 24 August 2021.

This is a multi-site certificate. Additional site details are located on a separate page.

SGS
IAF
UKAS

Authorized person: *[Signature]*

SGS
IAF
UKAS

CERTIFICATE

Hereby Grants To:

PingGood Enterprise (DongGuan) Co., Ltd.
Organization Code: 01441907704070204
Registered Address: Room 701, No. 8 Building, No. 3, Guoding Road, Tangxia Town, Dongguan City, Guangdong Province, P.R. China
Business Address: Room 701, No. 8 Building, No. 3, Guoding Road, Tangxia Town, Dongguan City, Guangdong Province, P.R. China

Has been assessed and found to be in accordance with the requirements of standard detailed below
GB/T 24001-2016/ISO 14001:2015

Scope
The Manufacture of Plastic Fittings for Electronic and Computer Equipment and Management of Related Environmental Aspects.

IAF Code: 14

Certificate No.: DZCC23060602
Certificate Issue Date: 2023-11-07
Certificate Expiration Date: 2026-11-10

The certified organization must pass surveillance audit to ensure the validity of the certificate.

Authorized by: *[Signature]*

MSCB-235
Dongguan (Guangdong) Certification Co., Ltd.
Room 110-120, Building 1 of Commercial Office Building, Phase 1, Nansha Island Garden, No. 3, Beiling 1st Street, Nansha Island, Guangzhou City, Guangdong Province, P.R. China
TEL: 020-29091977

Check the validity of this certificate on the official website of Certification and Accreditation Administration of People's Republic of China (www.cnca.gov.cn) or www.dzcc.com.cn

IAF
IAS
DZCC

Certificate of Registration

This is to certify that the Environmental Management System of
Pinggood Enterprise Co., Ltd.
Unified Social Credit Code: 91441907704070204
Operative Address: No. 2068, Tiansheng Road, Hengsheng Street, Wafang District, Suzhou City, Jiangsu Province, China
Registered Address: No. 2068, Tiansheng Road, Hengsheng Street, Wafang District, Suzhou City, Jiangsu Province, China

is applicable to
Processing of plastic electronic parts

has been assessed and registered by NQA against the provisions of
ISO 14001:2015

This registration is subject to the company maintaining an environmental management system to the above standard, which will be monitored by NQA. Certified Clients shall accept regular surveillance assessments. The validity of certificates shall be maintained for the positive result of audit. The maintenance of this certificate can be checked on CNCA's website (www.cnca.gov.cn) (NQA)'s website (www.nqa.com.cn).

Managing Director: *[Signature]* Certificate Number: **E3443**
Date: 22 March 2011
Issue Date: 16 April 2021
Valid Until: 16 April 2024
EAC Code: 14

IAF
UKAS

Certificate TAO169492016

The Management System of
PINGOOD ENTERPRISE CO., LTD.
No. 8, Dongguan Rd., Dongguan City, Guangdong, P.R. China

has been assessed and found to be in accordance with the requirements of
IATF 16949:2016

The scope of registration appears on page 2 of this certificate.

This certificate is valid from 23 August 2021 until 24 August 2024 and remains valid subject to satisfactory surveillance audits. Recertification audit due a minimum of 30 days before the expiration date (page 1) or 12 months from 23 August 2021.

This is a multi-site certificate. Additional site details are located on a separate page.

SGS
IAF
UKAS

Authorized person: *[Signature]*

SGS
IAF
UKAS

IEC QUALITY ASSESSMENT SYSTEM (IECQ)
Assemblies, Related Materials and Processes
For use only with the IECQ and e-Component

**IECQ Certificate of Conformity
Hazardous Substance Process Management**

IECQ Certificate No.: IECQ-H-AREB 22-0919 Issue No.: 1 Status: Current
Supersedes: Issue Date: 2022/12/12 Exp. Issue: 2025/12/12
CN Reference No.: AREBCH22000465PM Registration: 2022/12/11

Applicable to:
European Directive 2011/65/EU (RoHS) - Prohibition of the use of Certain Hazardous Substances in electrical and electronic equipment, including all published amendments

PingGood Enterprise (DongGuan) Co., Ltd.
No. 104, Pinggan Industrial District, Tangxia Town, Dongguan City, Guangdong Province, P.R. China

The organization has developed and implemented Hazardous Substance Process Management procedures and related processes which have been assessed and found to comply with the applicable requirements for IECQ HSPM registration approval which is in accordance with the Basic Rules IECQ 01 and Rules of Procedure IECQ 02-14 "IECQ Hazardous Substance Process Management" of the IEC Quality Assessment System for Electronic Components (IECQ), and with respect to the IECQ Specification:

• IECQ QC 080000-2017 - Hazardous Substance Process Management System Requirements

This Certificate is applicable to all electronic components, assemblies, related materials and processes for the following scope of activities:
The Manufacture of Plastic Fittings for Electronic and Computer Equipment

Issued by the Certification Body: AREB International Certification Co., Ltd.
No. 15-2, Lu. 102, Hsinchu Rd.,
Aotun Dist., Taiwan City 708
Taiwan

Authorized person: *[Signature]*
CNCA Client-Only

AREB

IEC QUALITY ASSESSMENT SYSTEM (IECQ)
Assemblies, Related Materials and Processes
For use only with the IECQ and e-Component

**IECQ Certificate of Conformity
Hazardous Substance Process Management**

IECQ Certificate No.: IECQ-H-AREB 22-0919 Issue No.: 1 Status: Current
Supersedes: Issue Date: 2022/12/12 Exp. Issue: 2025/12/12
CN Reference No.: AREBCH22000465PM Registration: 2022/12/11

Applicable to:
European Directive 2011/65/EU (RoHS) - Prohibition of the use of Certain Hazardous Substances in electrical and electronic equipment, including all published amendments
Customer specified requirements

Pinggood Enterprise Co., Ltd.
No. 2068, Tiansheng Road, Hengsheng Street, Wafang District, Suzhou City, Jiangsu Province, China

The organization has developed and implemented Hazardous Substance Process Management procedures and related processes which have been assessed and found to comply with the applicable requirements for IECQ HSPM registration approval which is in accordance with the Basic Rules IECQ 01 and Rules of Procedure IECQ 02-14 "IECQ Hazardous Substance Process Management" of the IEC Quality Assessment System for Electronic Components (IECQ), and with respect to the IECQ Specification:

• IECQ QC 080000-2017 - Hazardous Substance Process Management System Requirements

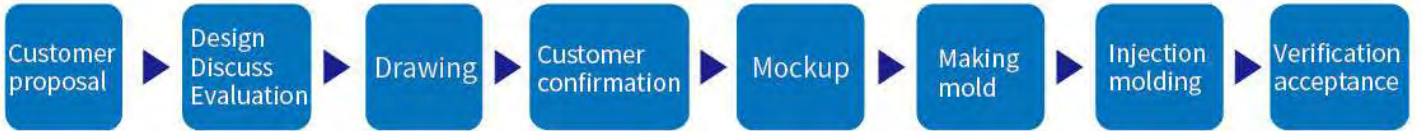
This Certificate is applicable to all electronic components, assemblies, related materials and processes for the following scope of activities:
Processing of plastic electronic parts

Issued by the Certification Body: AREB International Certification Co., Ltd.
No. 15-2, Lu. 102, Hsinchu Rd.,
Aotun Dist., Taiwan City 708
Taiwan

Authorized person: *[Signature]*
CNCA Client-Only

AREB

產品開發 Product Development



Sales and Marketing Division



Sales and Marketing Division



R&D Division



R&D Division



3D Printer



3D Printer



3D Printer Sample



3D Printer Sample

模具部 Molding Division



CNC Machining



FANUC CNC Machining



CNC Electric Discharge



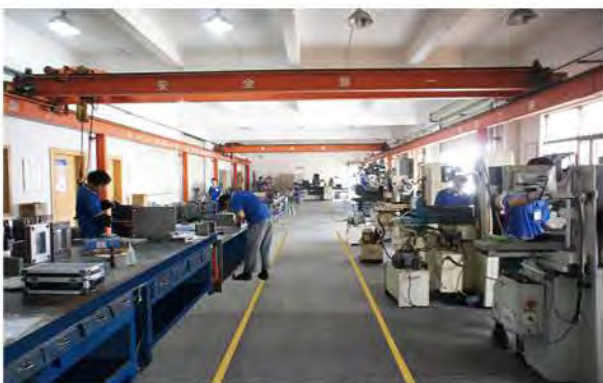
Sodick CNC Electric Discharge Machine



Seibu Slow Wire Cutting Machine



Seibu Slow Wire Cutting Machine



Metal Cutting Machine



Mold Inspection Room

成型部 Injection Division



Injection Division



Japan TOYO Fully Electric Injection Molding Machine



Japan TOYO Fully Electric Injection Molding Machine



Japan TOYO Fully Electric Injection Molding Machine



Japan TOYO Fully Electric Injection Molding Machine



Vertical Injection Molding Machine



Robotic Arm for Injection Molding Machine



Robotic Arm for Injection Molding Machine

實驗室儀器 Laboratory Equipment



Destructive Test Equipment



Flame Test Equipment



Colorimeter



Programmable Temperature and Humidity Chamber



Image Dimension Measurement System



2.5D Non-Contact Video Measuring System



Tensile Test Equipment



Digimatic Height Gage



Melt Flow Indexer



Rockwell Type Hardness Equipment

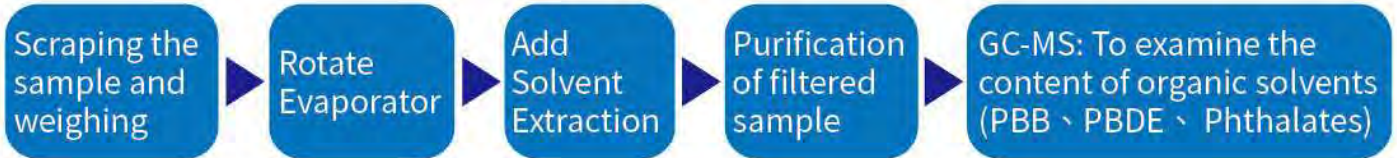


Constant Speed and Force Equipment

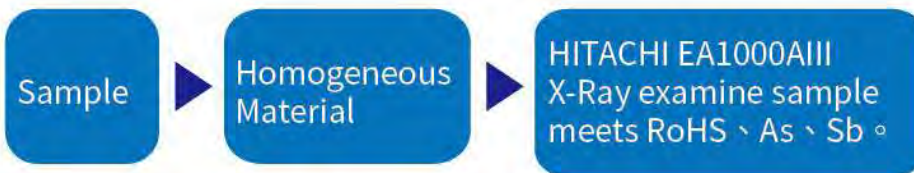


Micro-vu 3D Measuring System

RoHS laboratory (GC-MS) Analysis Process

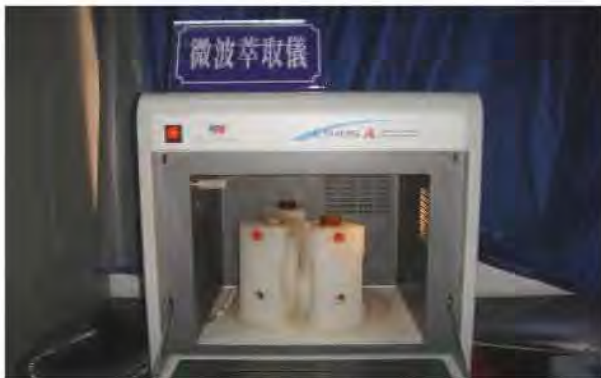


RoHS laboratory (X-Ray) Inspection Process



In order to fulfill the responsibility for environmental protection, the environmental friendly substances are tested and checked.

The HITACHI EA1000A III X-ray Fluorescence Analyzer: Meet the EU RoHS Directive and the rapid detection and analysis of hazardous substances in electrical and electronic product, e.g.: Cd, Pb, Hg, Cr, Br, As, Sb, etc. Complying with Halogen free requirement, we use XRF (X-ray Fluorescence Spectrometer) to analysis the content to meet customer requirement. GC-MS (Gas chromatography-mass spectrometry) for the detection of PBB, PBDE, Phthalates in organic solvents.



Microwave Extracted Device



Microwave Extracted Device



HITACHI EA1000A III X-ray Fluorescence Analyzer



GC-MS (Gas chromatography-mass spectrometry)

檢查包裝 Check Packaging



Production Assembly Processing



Production Assembly Processing



Verification Products



Automatic Packaging Machine



Mold Storage Room



Custom-Made Products



Custom-Made Products



Custom-Made Products

客戶對我們的肯定與鼓勵

Appreciation and Encouragement from Customers



專利

Patent



* 以上已完成商標註冊續展證明

PINGOOD

1-2



1-3



1-4



1-5



1-6



1-7



1-8



1-9



1-10



1-11



1-12



1-13



1-14



1-15



1-16



1-17



1-18



1-19



1-20



1-21



1-22



1-23



1-24



1-25



1-26



1-27



1-28



1-29



PINGOOD

1-30



1-31



1-32



1-33



1-34



1-35



1-36



1-37



1-38



1-39



1-40



1-41



1-42



1-43



1-44



1-45



1-46



1-47



1-48



1-49



1-50



1-51



1-52



1-53



1-54



1-55



熱情服務，轉變觀念
增強知識，迎接挑戰

PINGOOD



















線扣 護線環 塞環 BUSHING, SNAP BUSHING

PINGOOD

<p>2-30</p> 	<p>2-31</p> 	<p>2-32</p> 	<p>2-33</p> 
<p>2-34</p> 	<p>2-35</p> 	<p>2-36</p> 	<p>響應環保 減碳計畫</p>

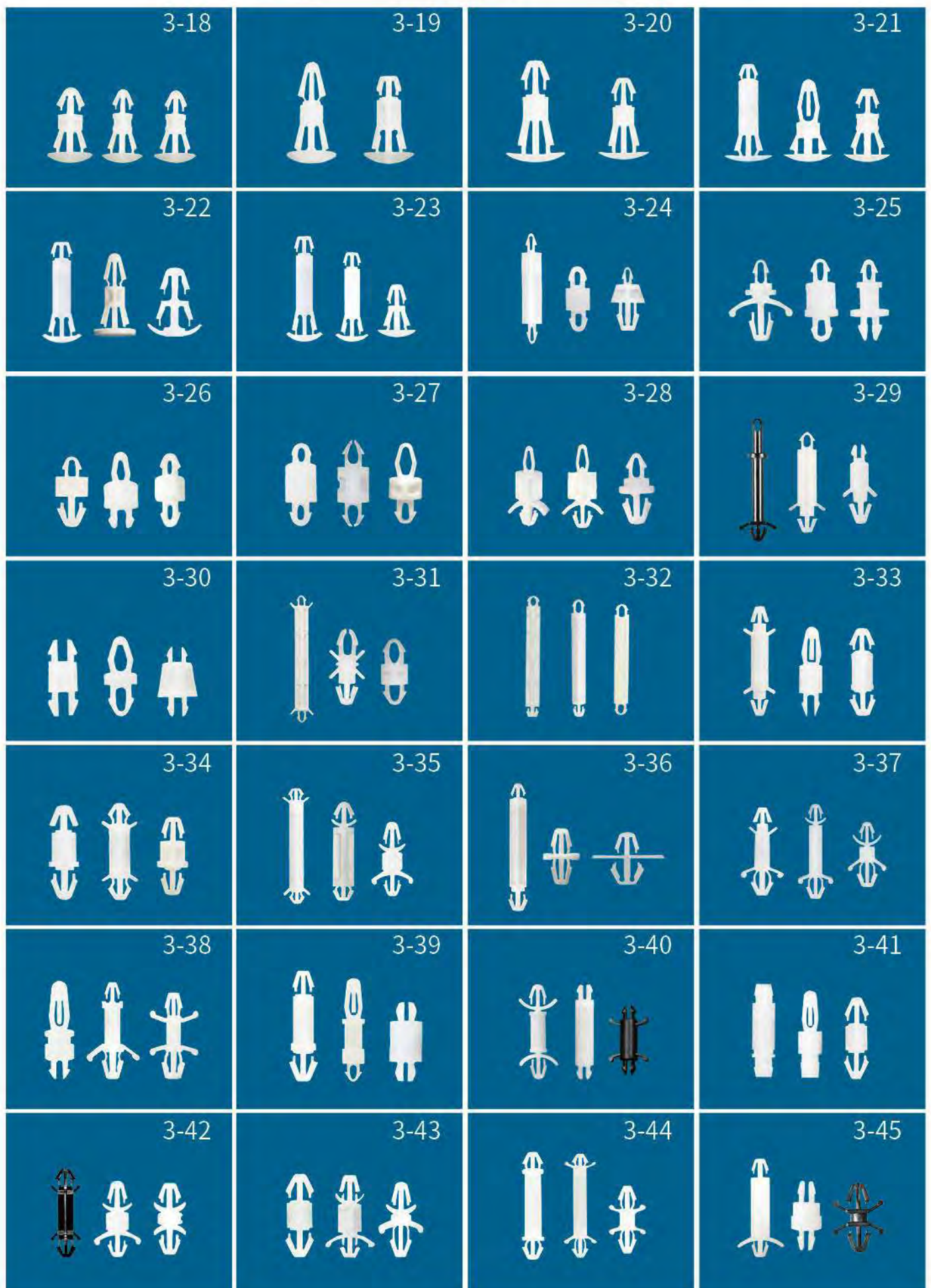
P.C. 板間隔柱 SPACER SUPPORT

PINGOOD

<p>3-2</p> 	<p>3-3</p> 	<p>3-4</p> 	<p>3-5</p> 
<p>3-6</p> 	<p>3-7</p> 	<p>3-8</p> 	<p>3-9</p> 
<p>3-10</p> 	<p>3-11</p> 	<p>3-12</p> 	<p>3-13</p> 
<p>3-14</p> 	<p>3-15</p> 	<p>3-16</p> 	<p>3-17</p> 

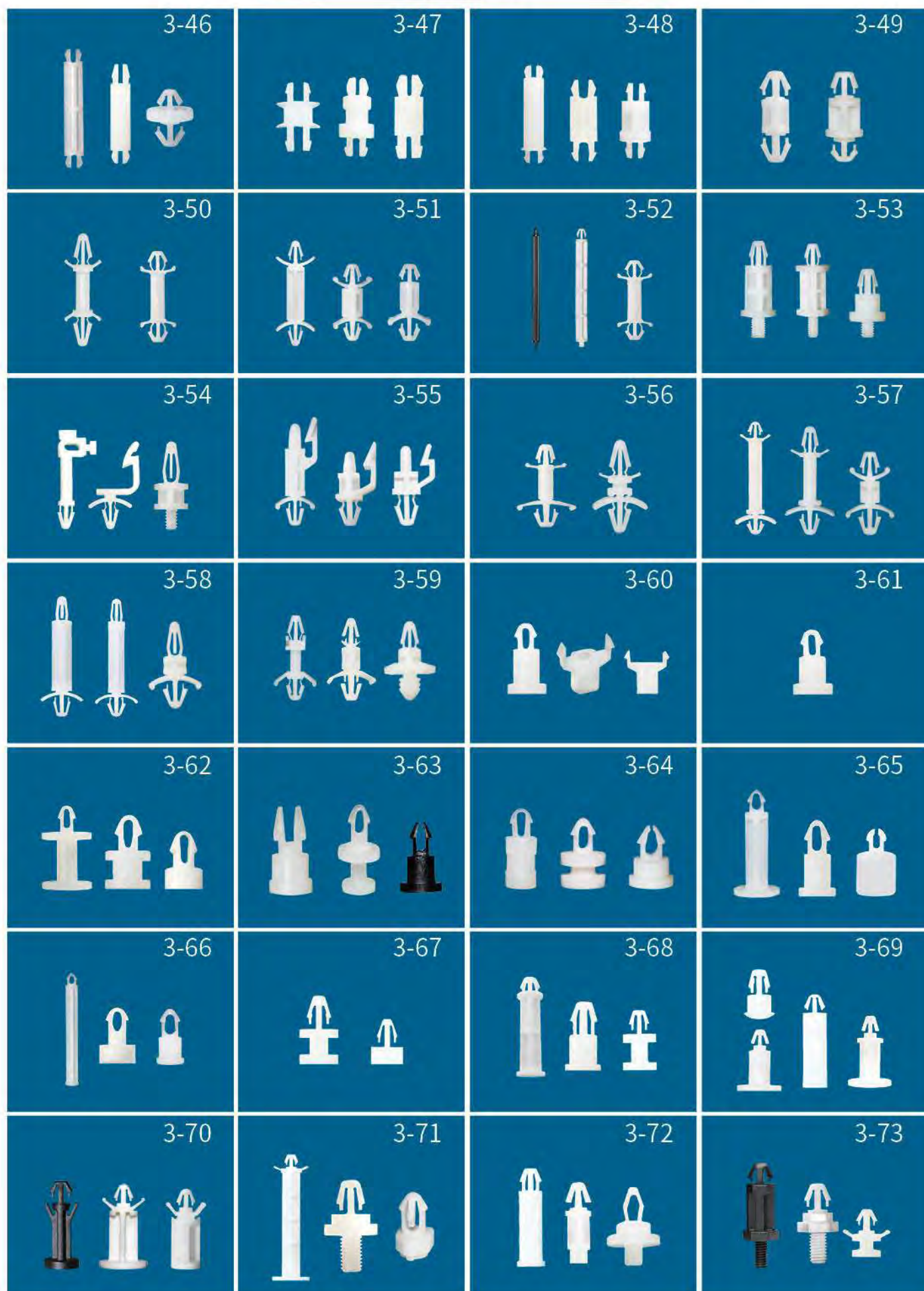
P.C. 板間隔柱 SPACER SUPPORT

PINGOOD

















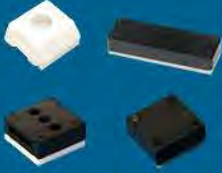
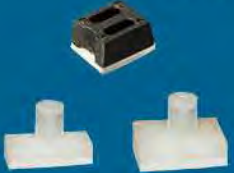







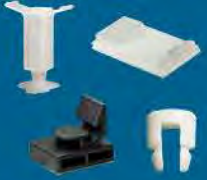




P.C. 板間隔柱 SPACER SUPPORT

PINGOOD



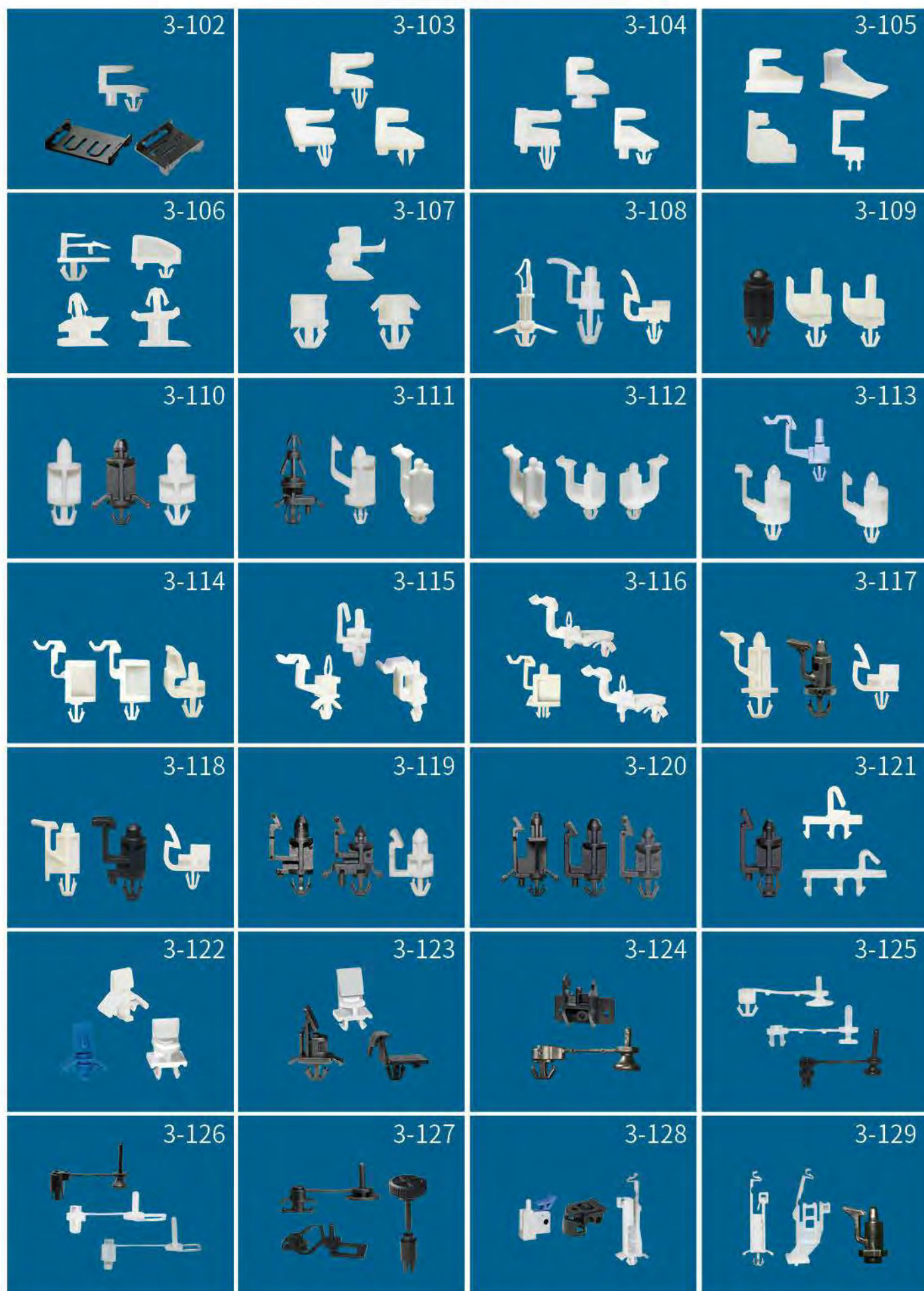
P.C. 板間隔柱 SPACER SUPPORT

PINGOOD

<p>3-74</p> 	<p>3-75</p> 	<p>3-76</p> 	<p>3-77</p> 
<p>3-78</p> 	<p>3-79</p> 	<p>3-80</p> 	<p>3-81</p> 
<p>3-82</p> 	<p>3-83</p> 	<p>3-84</p> 	<p>3-85</p> 
<p>3-86</p> 	<p>3-87</p> 	<p>3-88</p> 	<p>3-89</p> 
<p>3-90</p> 	<p>3-91</p> 	<p>3-92</p> 	<p>3-93</p> 
<p>3-94</p> 	<p>3-95</p> 	<p>3-96</p> 	<p>3-97</p> 
<p>3-98</p> 	<p>3-99</p> 	<p>3-100</p> 	<p>3-101</p> 

P.C. 板間隔柱 SPACER SUPPORT

PINGOOD



P.C. 板間隔柱 SPACER SUPPORT

PINGOOD

<p>3-130</p> 	<p>3-131</p> 	<p>3-132</p> 	<p>3-133</p> 
<p>3-134</p> 	<p>3-135</p> 	<p>3-136</p> 	<p>3-137</p> 
<p>3-138</p> 	<p>3-139</p> 	<p>3-140</p> 	<p>3-141</p> 
<p>3-142</p> 	<p>3-143</p> 	<p>3-144</p> 	<p>3-145</p> 
<p>3-146</p> 	<p>3-147</p> 	<p>3-148</p> 	<p>3-149</p> 
<p>3-150</p> 	<p>3-151</p> 	<p>3-152</p> 	<p>3-153</p> 
<p>3-154</p> 	<p>3-155</p> 	<p>3-156</p> 	<p>3-157</p> 

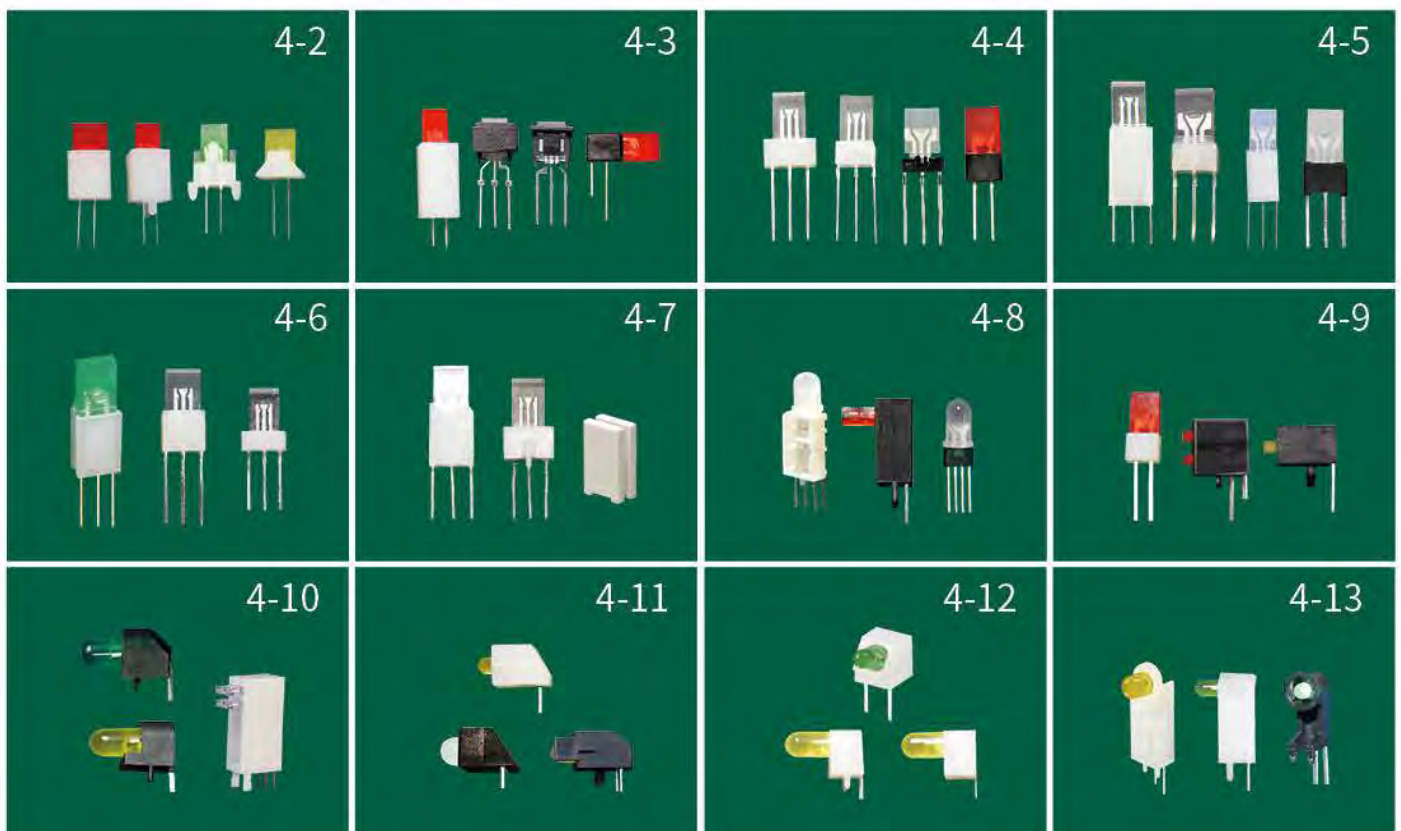
P.C. 板間隔柱 SPACER SUPPORT

PINGOOD



LED 套 LED 座 LED HOLDER, LED HOUSING

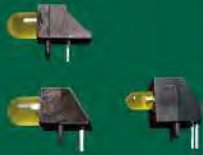
PINGOOD



LED 套 LED 座 LED HOLDER, LED HOUSING

PINGOOD

4-14



4-15



4-16



4-17



4-18



4-19



4-20



4-21



4-22



4-23



4-24



4-25



4-26



4-27



4-28



4-29



4-30



4-31



4-32



4-33



4-34



4-35



4-36



4-37



4-38



4-39



4-40



4-41



LED 套 LED 座 LED HOLDER, LED HOUSING

PINGOOD

4-42



4-43



4-44



4-45



4-46



4-47



4-48



4-49



4-50



4-51



4-52



4-53



4-54



4-55



4-56



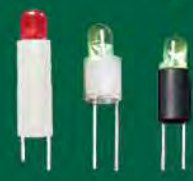
4-57



4-58



4-59



4-60



4-61



4-62



4-63



4-64



4-65



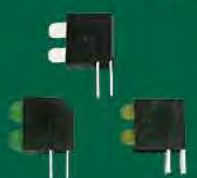
4-66



4-67



4-68

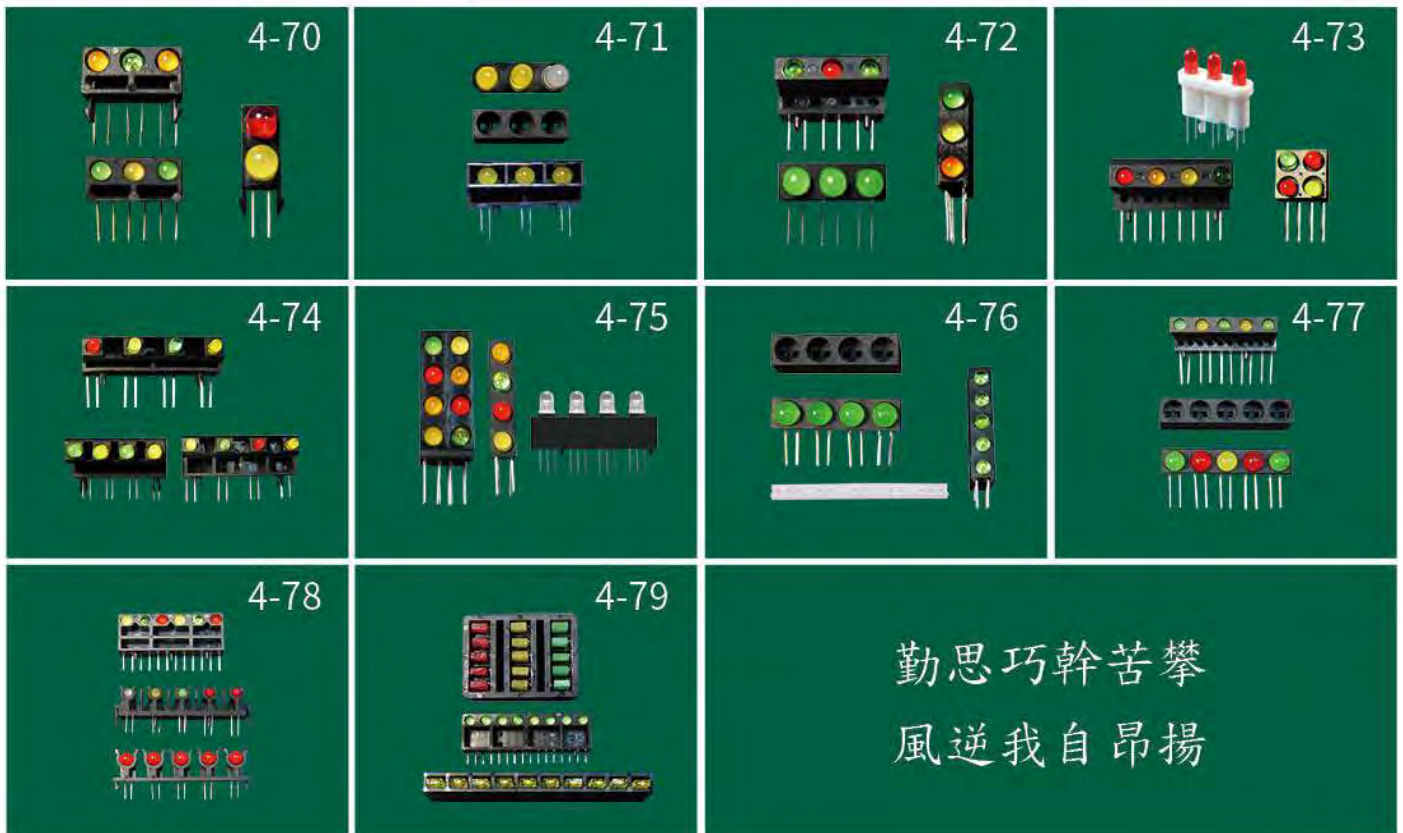


4-69



LED 套 LED 座 LED HOLDER, LED HOUSING

PINGOOD



鉚釘 螺絲 螺帽 扣具 PLASTIC FASTENER

PINGOOD



PINGOOD

5-14



5-15



5-16



5-17



5-18



5-19



5-20



5-21



5-22



5-23



5-24



5-25



5-26



5-27



5-28



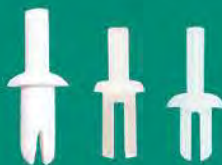
5-29



5-30



5-31



5-32



5-33



5-34



5-35



5-36



5-37



5-38



5-39



5-40



5-41



PINGOOD



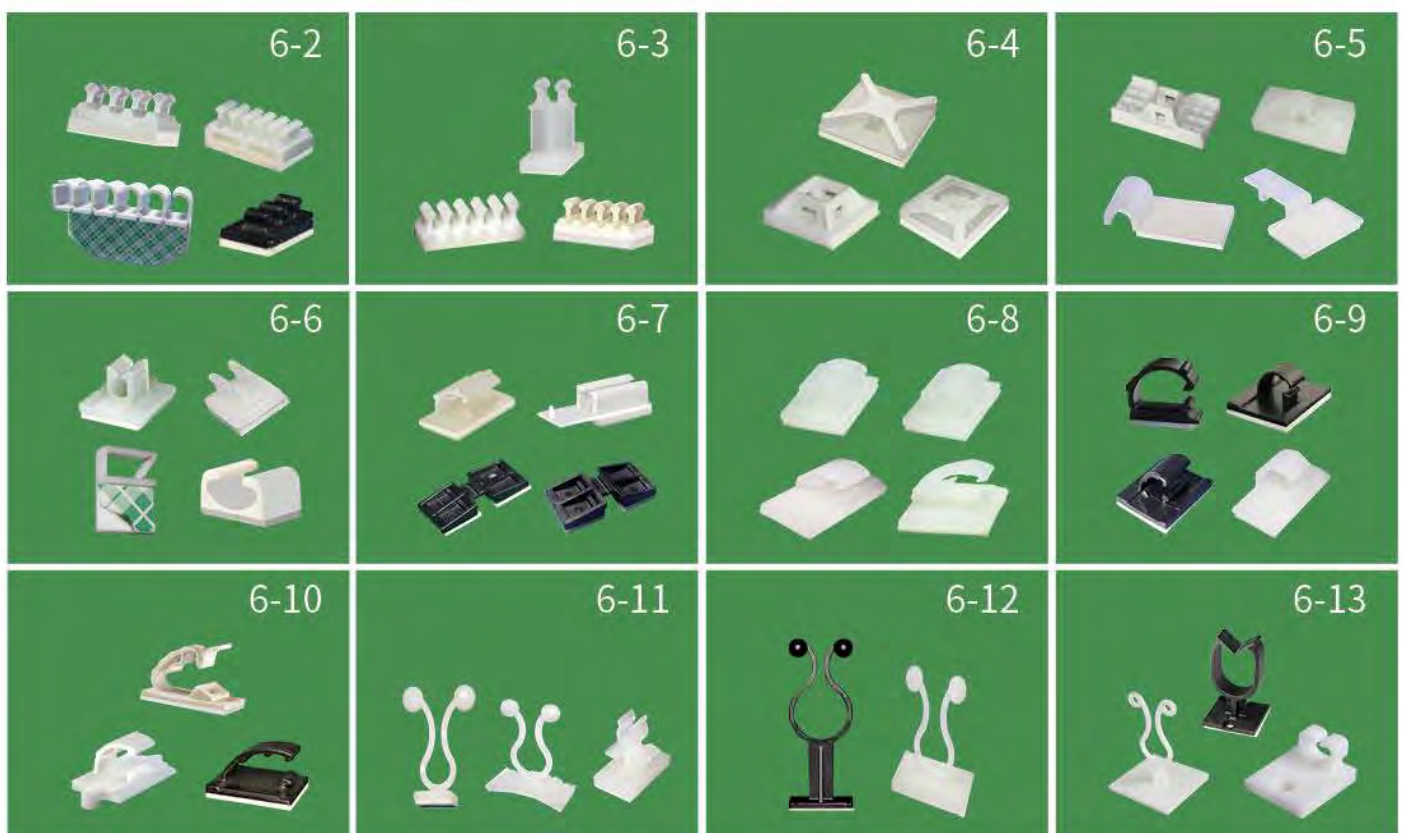
鉚釘 螺絲 螺帽 扣具 PLASTIC FASTENER

PINGOOD



線材固定 線材隔離 CABLE CLAMP, SADDLE

PINGOOD



線材固定 線材隔離 CABLE CLAMP, SADDLE

PINGOOD

6-14



6-15



6-16



6-17



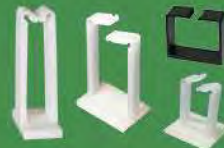
6-18



6-19



6-20



6-21



6-22



6-23



6-24



6-25



6-26



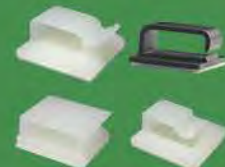
6-27



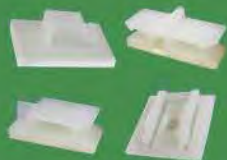
6-28



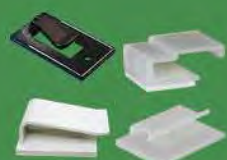
6-29



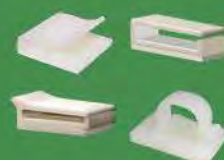
6-30



6-31



6-32



6-33



6-34



6-35



6-36



6-37



6-38



6-39



6-40



6-41



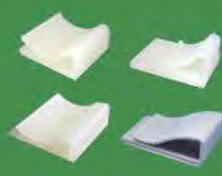
線材固定 線材隔離 CABLE CLAMP, SADDLE

PINGOOD

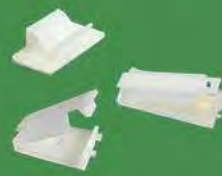
6-42



6-43



6-44



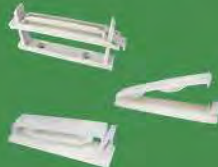
6-45



6-46



6-47



6-48



6-49



6-50



6-51



6-52



6-53



6-54



6-55



6-56



6-57



6-58



6-59



6-60



6-61



6-62



6-63



6-64



6-65



6-66



6-67



6-68































6-69







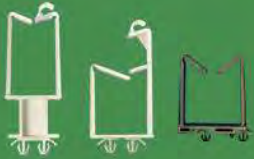


















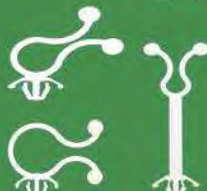




線材固定 線材隔離 CABLE CLAMP, SADDLE

PINGOOD

<p>6-70</p> 	<p>6-71</p> 	<p>6-72</p> 	<p>6-73</p> 
<p>6-74</p> 	<p>6-75</p> 	<p>6-76</p> 	<p>6-77</p> 
<p>6-78</p> 	<p>6-79</p> 	<p>6-80</p> 	<p>6-81</p> 
<p>6-82</p> 	<p>6-83</p> 	<p>6-84</p> 	<p>6-85</p> 
<p>6-86</p> 	<p>6-87</p> 	<p>6-88</p> 	<p>6-89</p> 
<p>6-90</p> 	<p>6-91</p> 	<p>6-92</p> 	<p>6-93</p> 
<p>6-94</p> 	<p>6-95</p> 	<p>6-96</p> 	<p>6-97</p> 












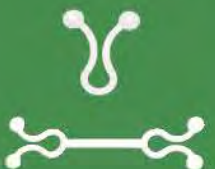
















線材固定 線材隔離 CABLE CLAMP, SADDLE

PINGOOD

<p>6-98</p> 	<p>6-99</p> 	<p>6-100</p> 	<p>6-101</p> 
<p>6-102</p> 	<p>6-103</p> 	<p>6-104</p> 	<p>6-105</p> 
<p>6-106</p> 	<p>6-107</p> 	<p>6-108</p> 	<p>6-109</p> 
<p>6-110</p> 	<p>6-111</p> 	<p>6-112</p> 	<p>6-113</p> 
<p>6-114</p> 	<p>6-115</p> 	<p>6-116</p> 	<p>6-117</p> 
<p>6-118</p> 	<p>6-119</p> 	<p>6-120</p> 	<p>6-121</p> 
<p>6-122</p> 	<p>6-123</p> 	<p>6-124</p> 	<p>6-125</p> 

線材固定 線材隔離 CABLE CLAMP, SADDLE

PINGOOD

<p>6-126</p> 	<p>6-127</p> 	<p>6-128</p> 	<p>6-129</p> 
<p>6-130</p> 	<p>6-131</p> 	<p>6-132</p> 	<p>6-133</p> 
<p>6-134</p> 	<p>6-135</p> 	<p>6-136</p> 	<p>6-137</p> 
<p>6-138</p> 	<p>6-139</p> 	<p>6-140</p> 	<p>6-141</p> 
<p>6-142</p> 	<p>6-143</p> 	<p>6-144</p> 	<p>6-145</p> 
<p>6-146</p> 	<p>6-147</p> 	<p>6-148</p> 	<p>6-149</p> 
<p>6-150</p> 	<p>6-151</p> 	<p>6-152</p> 	<p>6-153</p> 




線材固定 線材隔離 CABLE CLAMP, SADDLE

PINGOOD

<p>6-154</p> 	<p>6-155</p> 	<p>6-156</p> 	<p>6-157</p> 
<p>6-158</p> 	<p>6-159</p> 	<p>6-160</p> 	<p>6-161</p> 
<p>6-162</p> 	<p>6-163</p> 	<p>6-164</p> 	<p>6-165</p> 
<p>6-166</p> 	<p>6-167</p> 	<p>6-168</p> 	<p>6-169</p> 
<p>6-170</p> 	<p>6-171</p> 	<p>6-172</p> 	<p>求實創新 用心服務</p>

EMI 扣 SLEEVE FERRITE CLAMP

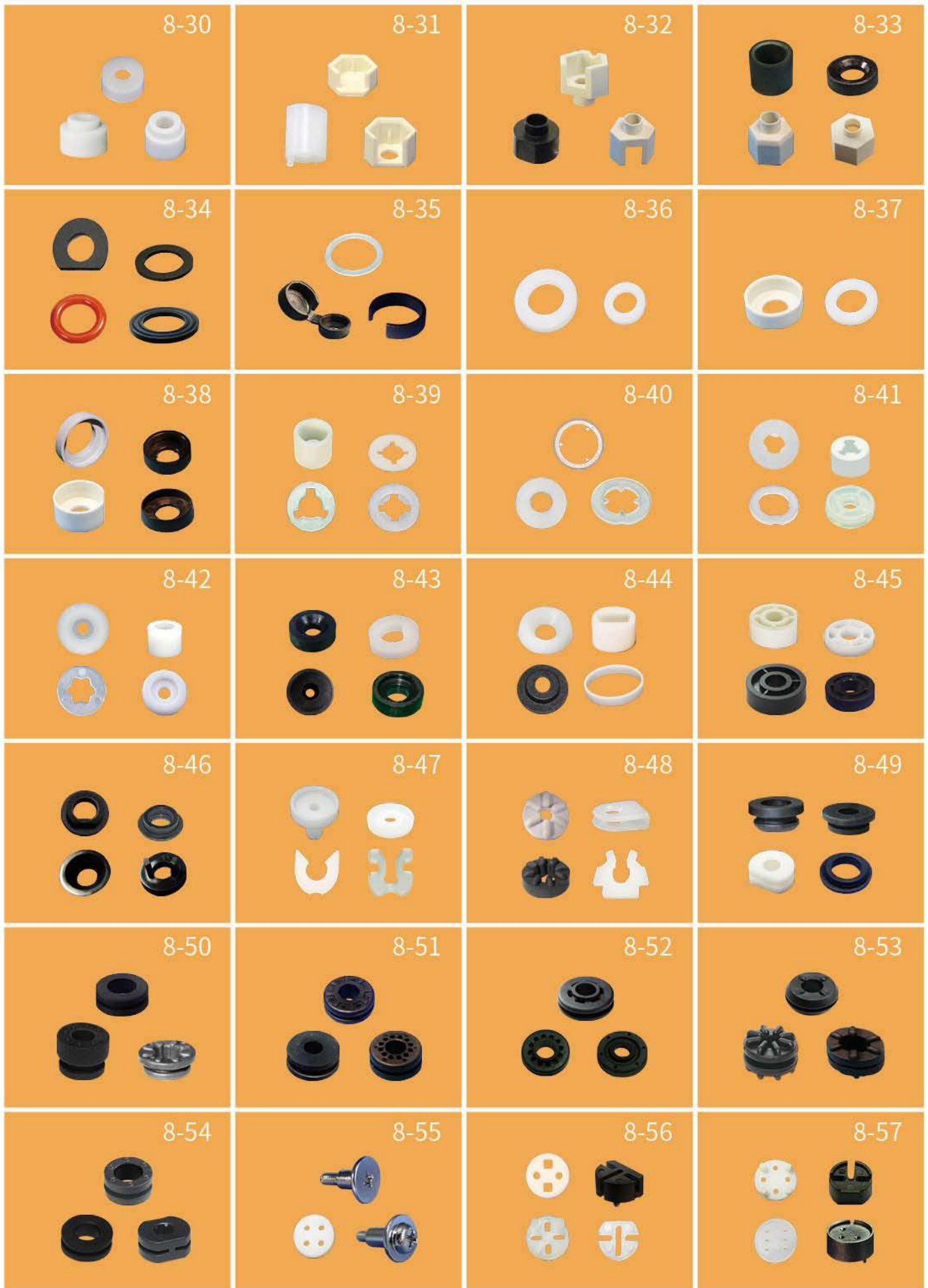
PINGOOD

<p>7-2</p> 	<p>7-2</p> 	<p>7-2</p> 	<p>7-3</p> 
--	--	---	--

PINGOOD



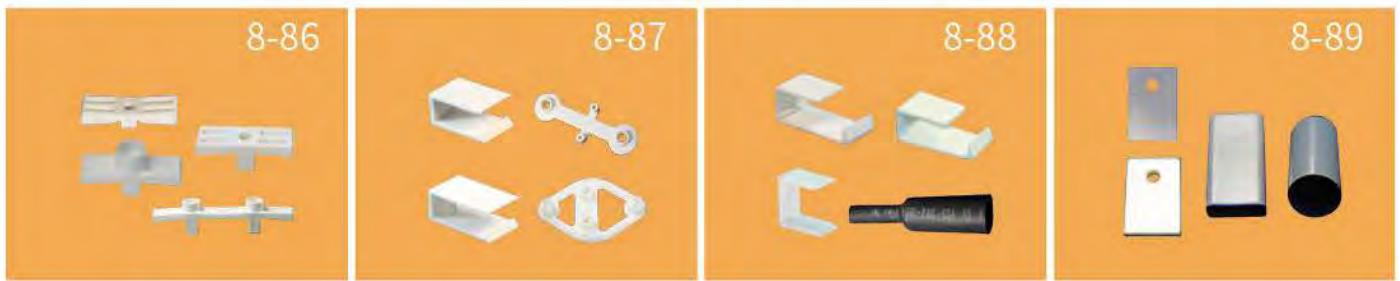
PINGOOD



PINGOOD



PINGOOD



腳墊 燙金腳墊 墊座 PLASTIC RUBBER FOOT

PINGOOD



企業的成功來自於每一位員工的付出
信譽為本、服務是根、扶掖人才、敬業榮群

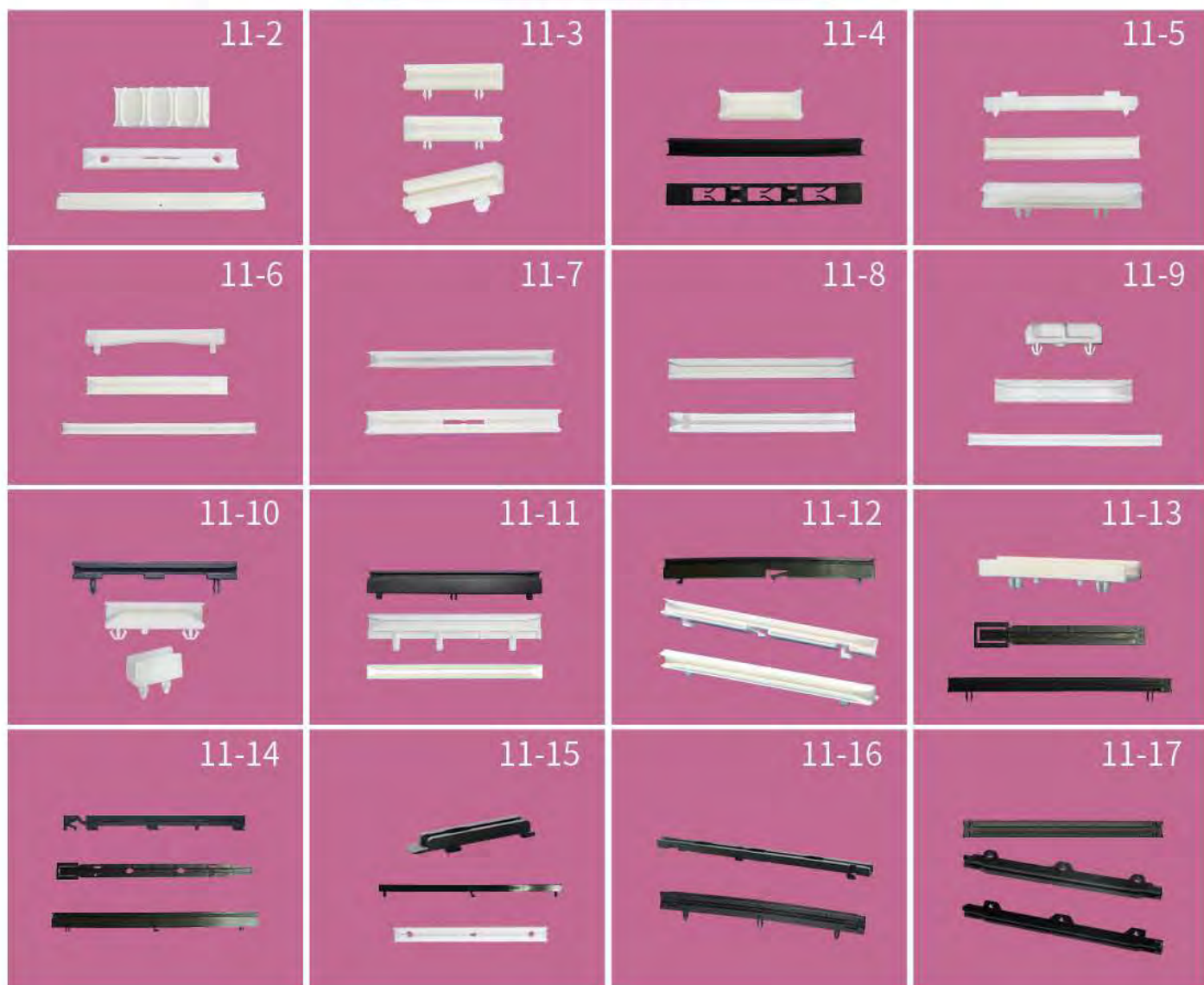
拉柄 CIRCUIT BOARD EJECTOR

PINGOOD



導槽 P.C.B GUIDE RAIL

PINGOOD



導槽 P.C.B GUIDE RAIL

PINGOOD

11-18



11-19



11-20



11-21



11-22



11-23



用心創新，競爭發展
培育員工，創造團隊

束線帶 CABLE TIES

PINGOOD

12-2



12-3



12-4



12-5



12-6



12-7



12-8



12-9



12-10



12-11



12-12



12-13



12-14



12-15



12-16



12-17



束線帶 CABLE TIES

PINGOOD

<p>12-18</p> 	<p>12-19</p> 	<p>12-20</p> 	<p>12-21</p> 
<p>12-22</p> 	<p>12-23</p> 	<p>12-24</p> 	<p>12-25</p> 
<p>12-26</p> 	<p>12-27</p> 	<p>與客戶共同開發 共創價值與利潤</p>	

其他塑膠製品 HANDLE, HOUSING, COVER

PINGOOD

<p>13-2</p> 	<p>13-3</p> 	<p>13-4</p> 	<p>13-5</p> 
<p>13-6</p> 	<p>13-7</p> 	<p>13-8</p> 	<p>13-9</p> 
<p>13-10</p> 	<p>13-11</p> 	<p>13-12</p> 	<p>13-13</p> 

PINGOOD

13-14



13-15



13-16



13-17



13-18



13-19



13-20



13-21



13-22



13-23



13-24



13-25



13-26



13-27



13-28



13-29



13-30



13-31



13-32



13-33



13-34



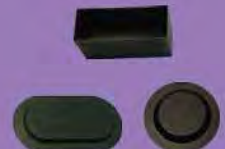
13-35



13-36



13-37



PINGOOD

13-38



13-39



13-40



13-41



13-42



13-43



13-44



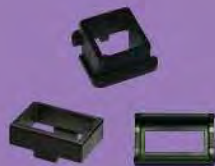
13-45



13-46



13-47



13-48



13-49



13-50



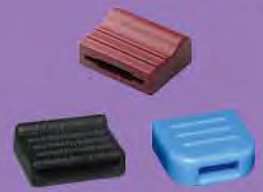
13-51



13-52



13-53



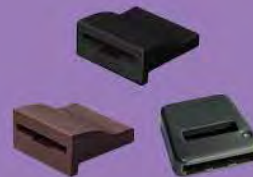
13-54



13-55



13-56



13-57



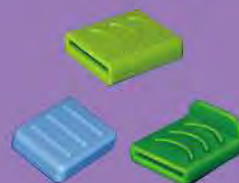
13-58



13-59








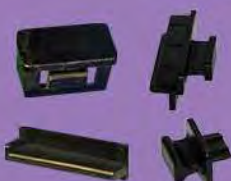













13-60



13-61



PINGOOD

<p>13-62</p> 	<p>13-63</p> 	<p>13-64</p> 	<p>13-65</p> 
<p>13-66</p> 	<p>13-67</p> 	<p>13-68</p> 	<p>13-69</p> 
<p>13-70</p> 	<p>13-71</p> 	<p>13-72</p> 	<p>13-73</p> 
<p>13-74</p> 	<p>13-75</p> 	<p>13-76</p> 	<p>13-77</p> 
<p>13-78</p> 	<p>13-79</p> 	<p>13-80</p> 	<p>13-81</p> 
<p>13-82</p> 	<p>13-83</p> 	<p>13-84</p> 	<p>13-85</p> 
<p>13-86</p> 	<p>13-87</p> 	<p>13-88</p> 	<p>13-89</p> 

PINGOOD

<p>13-90</p> 	<p>13-91</p> 	<p>13-92</p> 	<p>13-93</p> 
<p>13-94</p> 	<p>13-95</p> 	<p>13-96</p> 	<p>13-97</p> 
<p>13-98</p> 	<p>13-99</p> 	<p>13-100</p> 	<p>13-101</p> 
<p>13-102</p> 	<p>13-103</p> 	<p>13-104</p> 	<p>13-105</p> 
<p>13-106</p> 	<p>13-107</p> 	<p>13-108</p> 	<p>13-109</p> 
<p>13-110</p> 	<p>13-111</p> 	<p>13-112</p> 	<p>13-113</p> 
<p>13-114</p> 	<p>13-115</p> 	<p>13-116</p> 	<p>13-117</p> 

其他塑膠製品 HANDLE, HOUSING, COVER

PINGOOD

13-118



13-119



13-120



13-121



13-122



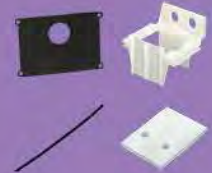
13-123



13-124



13-125



13-126



13-127



13-128



創新是魂
人才是本

端子附件 五金 HARDWARE

PINGOOD

14-2



14-3



14-4



14-5



14-6



14-7



14-8



14-9



索引 INDEX

【数字】	ABF 6-20	BSW 12-4,12-5	CGT 11-16	CIK 6-82
101A~112NP	ABGX 6-161	BSX 12-3	CGU 11-11	CIM 6-136
103C~115MC 3-150,3-151	ABH 6-15,6-16	BWA 13-4	CGW 11-17	CIS 6-81,6-82
201~338 3-149	ABK 6-20	BWD 13-5	CGZ 11-17,11-18	CJA 6-50
3-152	ABP 6-128	BWF 13-5	CGZA	CK 6-68,6-69
2A 6-137	AC 3-6	BWH 13-5	11-18,11-19	CKA 6-125
2CH 6-163,6-164	ACBK 3-7	BWJ 13-6	CH 6-49,6-51	CKB 6-125
2CS 6-58	ACBS 3-4~3-7	BWK 13-2	6-54~6-56	CKF 6-87
2LEA 4-9,4-10	ACK 5-49	BWN 13-3	6-62,6-63,6-69	CKFM 6-156
2LED 4-67~4-70	ACMS 3-4	BXR 12-25	CH-04*,06*,09*	CKH 6-73,6-74
2RF 2-2,2-5	ACT 3-6	【C】	6-57,6-77,6-78	CKHA 6-74
3CH 6-164	AD 3-142,3-145	C系列垫座	CH-08*,10K	CKIM 6-84
3LED 4-70~4-73	ADA 3-146	9-7,9-11	3-107,6-73	CKK 6-89~6-92
3LEL 4-72	ADG 3-143	CAC 6-65	CH-10~30	CKK-02 6-132
3RF 2-2	ADGF 3-147	CAF 6-162	6-63~6-67	CKKS 6-103
401AF~9634C 3-149,3-150	ADH 3-142	CAM 6-16	CH-38,48	CKL 6-84
3-153	ADJ 3-145	CAP 8-61	6-164,6-165	CKM 6-22,6-23
40M 8-61	ADHM 3-146	CAR 6-16	CHA 6-138	CKMA 6-23
4LED 4-73	ADK 3-142	CBD 3-161	CHAD 6-13	CKMH 6-15
4-75,4-76	ADM 3-146	CBG 6-61	CHB 6-123	CKN 6-126
4LEL 4-73,4-74	ADP 3-143	CBL 3-162,3-163	CHF 6-13,6-14	CKP 6-88
4RF 2-2	ADQ 3-143	CBLA 3-163	6-147~6-150	CKQ 6-86,6-87
5LED 4-76~4-78	ADW 3-142	CBPA 3-164	CHFA 6-14	CKR 6-138,6-139
5LEL 4-77	AF 3-6	CBS 3-59	CHFD 6-17	CKS 6-67,6-68
5R 2-2~2-4	AVI 13-65	CC 6-79	CHFK 6-152	CKT 6-127,6-128
5RF 2-2,2-3	【B】	CCA 6-79	CHFM 6-150	CKTW 6-128
601~901,60* 8-60,8-62~8-65	BAK 6-79	CCD 6-78	CHFQ 6-14	CKW 6-23
6FW-10 6-2	BAR 6-141	CCF 6-84	CHFR 6-15	CKX 6-126
6FW-11 6-138	BCBS 3-82	CD 6-76	CHFT 6-17	CKY 6-126
6LED 4-78	BCMS 3-82	CDA 13-14	CHFW 6-153	CKZ 6-23
6R 2-2,2-4	BFA 13-113	CDF 6-76	CHG 6-149	CLA 4-50
7R 2-2,2-4	BFN 12-25	CDS 13-7~13-14	CHH 6-139	CLED 4-37
8LED 4-79	BH 2-23~2-25	CDT 13-15	CHJ 6-68	4-40~4-48
8R 2-2,2-3	BH-5~7	CDY 13-14	CHK 6-69	CM 6-64
9R 2-2	13-32,13-33	CF 11-2	CHL 6-65	CMA 6-52
10LED 4-79	BHA 2-24	CFK 6-70	CHM 6-61	CMB 6-75
15LED 4-79	BHB 1-45	CFKA 6-70	CHN 6-78	CMBF 6-75
【A】	BHR 13-79	CFP 13-71	CHP 6-85	CMC 6-49
A 6-137	BJA 13-6	CG 11-2~11-15	CHQ 6-124	CMD 6-157
AAA 3-91	BSA 13-2~13-4	11-17	CHR 6-53	CMG 6-127
AB 6-4~6-6	BSC 13-4	CGB 11-19	CHST 6-136	CMGA 6-127
6-11~6-13	BSG 13-2	CGD 11-10	CHT 6-49	CMF 6-20
6-15,6-18,6-19	BSQ 12-27	CGH 11-21	CHU 6-20	CMK 6-60
AB-1* 6-142	BSR 6-88	CGJ 11-16	CHW 6-7~6-10	CML 6-17
ABD 6-16	BST 12-3,12-4	CGL 11-14	CHX 6-80	CMLA 6-17
	12-20~12-25	CGM	CHY 6-83	CMM 6-129
	BST-4 12-27	11-19~11-21	CIC 6-81	CMP 6-163
	BSTH 12-2	CGR 13-102	CID 6-48	CMQ 6-129

索引 INDEX

CMR	6-2,6-3	CUH	6-61	CYW	6-70	DHM	13-126	EDK	1-30~1-33
CMRT	6-50	CUK	6-60	CYWF	6-71	DL-001~20*		EDL	4-27
CMRW	6-50	CW	8-3,8-4,8-15	CYX	6-162	1-3~1-6		EDM	4-29
CMRZ	6-50	CWA	8-18,8-19	CZA	6-55	1-8~1-9		EDN	1-27,1-28
CMS	6-152	CWB	8-7	CZB	6-54	DL-100*~700*		EDN-05,5C	1-32
CMW	6-100	CWC	8-7	CZC	6-52	1-9~1-14		EDP	4-59
CMX	6-2	CWD	8-9	CZD	6-146	DLA	1-2	EDQ	4-34
CMY	6-3	CWF	8-5,8-6	CZF	6-55	DLB	1-6	EDR	4-10
CMZ	6-59	CWFK	8-8	CZG	6-160	DLC	1-5	EDT	4-20
CNA	6-77	CWG	8-7	CZH	6-53	DLF	1-6	EDW	4-21
CND	6-86	CWH	8-8	CZJ	6-10	DLK	1-7	EDZ	1-28,1-29
CNF	6-150,6-151	CWJ	8-10	CZK	6-21	DLM	1-5	EEA	4-50
CNFA	6-151	CWL	8-10	CZL	6-60	DMI	13-90,13-91	EEB	4-34
CNFK	6-150	CWM	8-4	CZM	6-62	DMK	3-31	EEC	4-26
CNG	6-83	CWP	8-15	CZP	6-62	DP	13-95,13-96	EED	13-15
CNH	6-156	CWQ	8-5,8-14	CZPA	6-63	DPM	13-31	EEF	4-35
CNHA	6-157	CWR	8-19	CZQ	6-10	DPS	13-31	EEG	4-61
CNJ	6-161	CWS	8-8	CZR	6-55	DPX	3-160	EEH	4-26
CNK	6-151	CWT	8-10	CZS	6-58	DS-1~8	2-13	EEJ	4-34
CNQ	6-154	CWU	8-20	CZT	6-21	2-14,2-16~2-20		EEK	4-26
CNR	6-153	CWW	8-20	CZW	6-21	DS-10~27		EEL	4-10
CNTF	6-152	CWX	8-3	CZX	6-56	2-17,2-21,2-22		EEM	4-25
CNW	6-154	CWY	8-11	CZY	6-62	DSC	2-22,2-23	EEN	4-19
CNWF	6-155	CWZ	8-4	[D]		DSF	2-15	EEO	4-61
CNWZ	6-155	CXK	6-96	D-0710	13-38	DSH	2-20	EES	4-8
CP	10-2~10-7	CXR	6-91	DAB	13-24,13-25	DSW	2-16	EET	4-58
CQ	13-18	CXT	6-132	DAG	3-128	DUA	13-126	EEW	4-16
CQA	3-154	CYA	6-92	DAGH	3-129	DVI	13-91	EKB	4-28
CRC	6-101	CYAA	6-92	DAGK	3-129	DXA	8-11~8-13	EKC	4-21
CRN	6-101	CYB	6-99	DAH	13-44	DXC	8-14	EKF	4-19
CS	6-57,6-58	CYC	6-99	DAP	13-24	DXF	8-14	EKL	4-9
	6-79	CYD	6-101	DC		DXGF	13-108	EKM	4-33
CSA	6-61	CYF	3-99	13-121~13-124		DXH	8-14	EKN	4-27
CSF	6-49	CYFG	3-100	DCBS	3-67,3-68	DXK	8-11	EKT	4-28
CSK	6-66	CYFJ	3-100	DCC	13-65,13-66	DXM	8-10	ELA	4-15
CST	8-89	CYFK	3-101	DCJ	13-65	DXP	8-12	EMQ	7-3
CT	2-23	CYFQ	3-100	DCMS	3-75	DXS	8-13	EMR	7-2
CTK	6-103	CYFT	3-101	DCQ	13-33	DXW	8-28	EQA	4-54
CTM	6-104	CYG	6-93	DCR	3-165	[E]		EQC	4-51
CTR	6-129	CYH	6-74	DCRJ	3-165	ECW	4-60	EQF	4-55
CTT	6-153	CYJ	6-109	DDS	2-14,2-15	EDA	4-29	EQH	4-55
CTX	6-59,6-131	CYK	6-75	DDS-04	2-25	EDC	4-27	[F]	
CU	6-30	CYL	6-101	DFA	6-133	EDD	4-60	FAA	6-94,6-95
	6-71~6-73	CYM	6-102	DFB	6-172	EDE	4-8	FAB	6-90
CU-06A	6-81	CYP	6-102	DFG	6-142	EDF	4-8	FAC	6-148
CU-07*	6-111	CYQ	6-100	DFK	6-142	EDG	4-59,4-60	FAF	6-149
CUA	6-71	CYR	6-102	DFQ	6-172	EDH	4-4	FAG	6-149
CUD	6-110	CYS	6-76	DHD	13-66	EDJ	4-25	FAK	6-158

索引 INDEX

FAKT	6-159	FDP	6-112	FWG	6-35	GSM	8-54	HDY	13-89
FAM	6-130	FDQ	6-45	FWGA	6-35	GSP	9-15	HDZ	13-75
FB	6-43	FDW	6-29,6-30	FWH	6-88	GSQ	8-50	HF	13-82
FBA	13-17	FDX	6-31	FWI	6-148	GTT	9-14	HFC	13-17
FBC	6-111,6-112	FFR	3-11	FWJ	6-130	GXA	9-15	HFK	13-83
FBF	6-48	FGH	6-11	FWK	6-146,6-147	【H】		HFX	13-128
FBM	6-112	FH	13-38	FWM		H,H2M,H4	3-156	HHB	3-155
FC	6-43,6-114	FIB	13-96		12-14~12-16	HB	13-64	HHJ	3-155
FCA	6-109	FJH	3-166	FWP	6-37,6-38	HBA	13-71	HHP	1-33,1-34
FCAT	6-109	FJW	3-164	FWQ	6-104	HBC	13-68,13-69	HHQ	1-45
FCB	3-11	FK	3-10	FWR	6-106	HBF	13-69	HJA	8-68
FCC	6-46,6-93 6-95,6-113	FKC	3-98,3-99	FWS	6-69,6-70	HBK	13-64	HKA	13-72
FCD	6-45~6-47	FKD	3-97	FWT	6-42	HC-0~18*	13-66	HLED	4-39
FCE	6-160	FKJ	3-101	FWTA	6-89		13-73~13-75	HP	13-19
FCF	6-47,6-48	FKJD	3-102	FWW	6-104		13-78,13-79	HPA	13-30
FCG	6-113	FKJR	3-102	FWX	6-38	HC-21*~51		HPM	13-103
FCH	6-140	FKK	3-134	FWY	6-47		13-62,13-63	HS	13-39~13-44
FCJ	6-112	FKM	3-98	FWZ	6-36		13-76,13-78		13-45,13-46
FCJK	6-159	FLA	6-131,6-132	FXA	3-163	HCA	13-47,13-48	HSA	13-39
FCJS	6-158	FLED	4-49	FYA	12-15	HCD	13-80	HSD	13-44
FCK	6-110	FMG	3-167	FYB	12-15	HCG	11-22,11-23	HSF	13-46,13-47
FCM	6-44,6-45 6-106	FMQ	3-168	FYC	6-110	HCGT	11-23	HSL	13-45
FCM-01	6-157	FMY	3-167	FYD,FYDA	12-16	HCHA	13-119	HSM	13-42
FCM-20*		FN	14-8	FYH	6-103	HCK	13-83	HSQ	13-40
FCM-35*	6-141	FQC	6-140	FYK	6-32	HCKA	13-69	HSW	13-45
FCNQ	6-158	FQCM	6-100	FYL	12-17	HCKB	13-69	HTA	13-83
FCP	6-5	FRAC	6-24	FYM	6-32	HCKC	13-70	HTD	13-62
FCQ	6-97~6-99	FS	6-5	FYS	6-28	HCKF	13-70	HU-1*~5*	
FCR	6-44	FSA	6-147	FZA	3-165	HCL	13-70		8-16~8-21
FCS	6-93	FSC	6-30	【G】		HCM	13-73,13-74	HU-7*,07*~15*	
FCSD	6-94	FSD	6-34	GCA	13-125	HCP	13-80		8-21~8-26
FCT	3-11	FSK	6-147	GL	9-2~9-4	HCQ	13-63	HU-07T	8-67
FCW	6-39~6-41	FSL	6-31	GLA	9-5	HCR	13-79,13-81	HU-19,19*	8-66
FCWA	6-108	FU	6-6	GLC	9-14	HCS	13-81,13-96	HU4,HU6	3-157
FCWB	6-159	FUA	6-7	GLD	9-15	HCW	13-70	HUA	8-26
FCWC	6-161	FUM	6-6	GLE	9-6	HCWT	13-77	HUC	8-27
FCWT	6-41	FUS	6-6	GLD	4-44	HCX	13-81	HUD	8-26
FCWY	6-160	FW	6-24~6-29	GLH	8-49	HCZ	13-71	HUF	8-76
FCX	6-96,6-97	FW-08A	6-153	GLQ	9-13,9-14	HD	13-37	HUG	8-16
FCY	6-42	FW-22*~40		GMC	9-6,9-7	HDA	13-37	HUH	8-25
FCZ	6-96	6-28,6-37,6-105		GQH	8-49	HDB	13-89	HUJ	8-67~8-69
FDD	6-37	FW-CD30	6-35	GSA	8-51~8-53	HDD	13-77	HUK	8-66
FDH	6-105	FWA	6-38	GSB	8-54	HDE	13-77	HUL	8-26
FDK	6-31	FWB	6-34	GSD	8-52	HDK	13-77	HUM	8-28
FDM	6-31	FWC	6-80	GSE	8-52	HDP	13-111	HUP	8-27
		FWD	6-80	GSC	8-48	HDQ	13-82	HUQ	8-70
		FWF	6-7	GSH	8-51	HDTC	13-82	HUT	8-69
				GSK	8-50	HDT	13-82	HUX	8-18

索引 INDEX

HWH	3-155	LCAS	3-50	LED3	4-53	LFD	6-107	LSH	3-94
【I】		LCB3	3-37		4-55~4-58	LFE	6-82	LSJ	3-93
ICA	8-69	LCBA	3-37	LED3x4	4-4	LFK	6-83	LSK	3-117,3-118
ICC	8-69	LCBS	3-56,3-57	LEDX	4-52	LFN	6-107	LSL	3-137
IRK	14-9	LCBS-48	3-50	LEE	4-30	LFW	6-36	LSN	3-121
【J】		LCC	3-58	LEF	4-16	LFZ	6-108	LSNT	3-121
JFW	14-7	LCD	3-52	LEF5	4-15	LFZN	6-108	LSP	3-122
JG	14-8,14-9	LCF	3-45	LEFD	1-44	LGA	9-7	LSQ	3-133
JH	14-4	LCFA	3-51	LEG3	4-24,4-25	LH	5-65~5-67	LSR	3-123
JP	14-5~14-6	LCG	3-76	LEGD	1-52	LHA	5-68	LSS	3-97
JT	14-2,14-3	LCH	3-38	LEH5	4-12	LHG	5-70	LST	12-26
【K】		LCJ	3-29		4-20,4-26	LHJ	5-70	LSY	3-135
KCA	3-49	LCK	3-52	LEHD	1-38	LHK	5-20	LSZ	3-122
KDD	3-12	LCM*	13-28	LEI	4-22	LHM	5-68	LSZQ	3-122
KDH	3-12	LCQ	3-41	LEJ	4-3	LHQ	5-20,5-21	LT	3-55
KDM	3-12	LGR	3-29	LEJD	1-49	LHY	5-69	LTA3	3-34,3-35
KFD	3-161	LCS	3-40	LEK2	4-30,4-31	LHZ	13-89	LTBS	3-57
KFDX	3-168	LCX	3-31		4-35,4-36	LJA	4-13	LTD	3-8,3-9
KFJ	3-162	LCWS	3-56	LEK4	4-30~4-33	LJD	4-22	LTEL	3-112
KFL	3-162	LCY	3-28	LEK5	4-29	LKB	3-109	LTFR	3-112
KHA	3-24	LCZ	3-109	LEKC	4-28	LKC	3-110	LTF	3-130
KLED	4-37~4-39	LD	3-136	LEM*	4-20,4-21	LKN	3-110	LTG	3-55
KPD	3-97	LDA	9-15	LEMD	1-41,1-42	LLS	3-54	LTH	3-116
KWT	3-150,3-151	LDAD	1-54	LEMK	1-43	LMA	3-44	LTK	3-130
KYA	6-162	LDHD	1-54	LEN	4-36	LMB	3-119	LTKL	3-111
KYC	6-133	LDMD	1-34	LEND	1-52	LMD	4-16	LTKR	3-112
KYF	6-134	LEA	4-9,4-31	LEQ	4-2	LMF	3-114	LTN	3-113,3-117
KYH	6-136	LEAD-2~29		LEQD	1-50	LMG	3-119,3-120	LTQ	3-123
KYK	6-133	1-34~1-37,1-40		LER	4-28	LMGA	3-120	LTQB	3-51
KYM	6-134	1-46~1-50,1-53		LERD	1-51	LMH	3-114	LTQM	3-51
KYR	6-134,6-135	LEAD-30~39		LES	4-51	LMJ	3-115	LTQR	3-123
KYT	6-135	1-36~1-38		LESD	1-48	LMK	3-115	LTR	3-130
KYW	6-135	LEAD-40~81		LET*	4-16~4-18	LMM	3-113,3-115	LTRC	3-124
【L】		1-39,1-45,1-55		LETD	1-48	LMP	3-117	LTS	3-134
L系列垫座		LEC	4-33	LEU	4-32	LMQ	3-118	LTU	3-54
9-11,9-12		LECD	1-51	LEUD	1-42	LMR	3-118	LTW	3-129
L-9A	3-60	LED	4-14,4-15	LEVD	1-47	LMX	3-116	LTX	3-9
L-16*	3-60	4-52~4-53,4-57		LEW	4-22,4-36	LMW	3-121	LTY	3-108
LBB	3-59	LED-2F~5F	4-11	LEWA	1-51	LMWY	3-111	LTZ	3-111
LBC	3-42,3-43	LED-2Y~5Y	4-14	LEWD	1-47	LPL	13-125	LW	3-136
LBCM	3-37	LED-2x10	4-2	LEWF	1-55	LQC	13-32	LWC	3-137
LBD	3-35	LED-13.5	4-3	LEX	4-22	LRA	13-124	LWH	3-139
LBK	3-25	LED-3x*	4-4	LEXD	1-54	LS	3-131~3-133	LWP	3-137
LCA2	3-29	LED-*x3		LEY	4-32	LSA	3-2	LXC	3-128
LCA3	3-33	4-65,4-66		LEYD	1-43	LSB	3-108	LXCG	3-128
LCA35	3-42	LED-*x3A	4-64	LEZ	4-51	LSC	3-95,3-96	【M】	
3-44,3-45		LED-*T,**T		LEZD	1-38	LSD	3-2,3-3,3-7	M	2-28~2-30
LCA4	3-50	4-23,4-54		LFC	6-114	LSF	3-94	M3*,M4*	8-35

索引 INDEX

MA	3-96	MCU	3-41	MHG	2-31~2-33	MPV	13-127	MTQA	13-99
MAA	5-31	MCW	3-44	MHG-05	3-97	MPW	13-125	MTU	8-28
MAB	5-31	MCX	3-38,3-39	MHG-3A	5-46	MPZ	2-33	MTX	4-67
MAF	2-33	MCY	3-32	MHL		MQB	3-76	MTY	13-112
MB-01*~35*		MCZ	3-39		13-48~13-61	MQC	3-38	MTZ	8-6
	5-42~5-60	MD	13-19,13-20	MHLA	13-62	MQD	3-27	MU	2-30
MB-99*	5-56		13-111	MHLF	13-61	MQF	3-35	MVA	13-20
MBB	5-46	MDA	13-20,13-21	MHM	13-34	MQG	3-108	MVJ	13-128
MBC	5-48	MDB	13-21	MHT	3-147	MQT	3-49	MWC	13-30
MBDA	5-60	MDC	13-108	MHW	13-34	MQW	3-52	MWF	3-98
MBDG	6-143	MDD	13-125	MHY	13-106	MQY	3-34	MWJ	13-113
MBF	2-30,2-34	MDJ	13-20	MIA	8-46	MRA	13-26	MWZ	13-28
MBH	5-56	MDK	13-24	MIR	13-98	MRAT	13-105	MXF	13-127
MBJ	13-65	MDL	13-27	MJC	13-38	MRH	13-101	MXR	2-34
MBK	5-48	MDP	5-69	MJGP	13-103	MRM	13-101	MXT	2-34
MBL	5-42,5-43	MDV	13-19	MJQB	13-98	MRN	13-36	MYC	8-35
MBM	5-47	MDW	13-111	MKK	13-110	MRQ		MZT	13-106
MBP	5-49	MEA	3-25	MKL	10-2		13-99~13-100		【N】
MBQ	5-47,5-48	MEC	5-63	MKP	13-109	MRR	13-100	NBB	13-15
MBR	5-47	MEG	3-26	MLA	8-9	MRT	5-70	NBC	13-16,13-17
MBT	5-58	MEH	3-28	MLED	4-40	MRX	13-102	NBR	13-16
MBTR	5-60	MEK	5-51	MLW	13-103	MRY	13-102	NBT	13-16
MBS	5-46	MEL	5-62	MMD	2-31	MRZ	13-97	NEA	13-94
MBSK	5-49	MEP	5-62	MMF	13-104	MS	3-92	NEC	13-67
MBY	5-59	MF	3-73,3-74	MMFA	13-104	MSA	3-89	NEF	13-67
MBZ	5-57	MFC	3-71	MMH	8-6	MSB	3-90	NEG	13-94
MC	3-80,3-81	MFD	3-70	MML	13-30	MSBA	3-90	NEK	13-68
MCA	3-26	MFG	13-26	MMQ	2-33,2-34	MSC	3-91	NEP	13-67
MCB	3-46~3-48	MFH	13-38	MMR	13-30	MSD	3-93	NEQ	13-95
MCB3	3-33	MFQ	3-75	MMS	13-105	MSF	3-91	NER	13-71
MCC	3-77	MFR	3-70	MMW	13-28	MSH	3-93	NES	13-94,13-95
MCD2	3-27	MFRK	3-70	MMX	13-36	MSK	3-88	NET	
MCE	3-43	MFS	3-79	MNA	13-97	MSLQ	3-88		13-92~13-93
MCF	3-33,3-34	MFW	3-83	MNK	13-99	MSP	3-91	NEX	13-92
MCH	3-32	MGF	13-29	MNS	8-20	MSQ	3-90	NEY	13-68
MCI	3-36	MGK	13-31	MNW	13-97	MSR	3-87	NSA	13-67
MCJ	3-25,3-78	MGKH	13-31	MPB		MSS	3-90	NWT	8-37
MCJA	3-77	MGL-04	13-29		13-114~13-119	MST	3-89		【O】
MCK	3-26	MGL-26A	13-105	MPBH	13-120	MSY	3-92	OIL	8-34
MCL	3-24,3-31	MGM	13-27	MPBL	13-120	MSZ	3-88,3-89	OPW	8-34
MCM	3-30	MGMA	13-27	MPBT	13-120	MTB	13-26		【P】
MCN	3-36	MGMB	13-27	MPG		MTC	3-135	P-1,5	13-106
MCP	3-39	MGs	13-121		13-112,13-113	MTD	4-64	P-2	14-2
MCQ	3-36	MGW	13-126	MPL	1-8	MTG	3-135	PAC	6-21
MCQA	3-46	MGX			2-32,2-35	MTH	13-23	PACB	6-156
MCR	3-47		13-107,13-108	MPR-01	13-109	MTJ	13-23	PAD10	6-22
MCS	3-24	MGZ	13-28	MPR-05	8-70	MTN	13-23	PAD11	6-22
MCT	12-19	MH	13-34~13-36	MPT	8-68	MTQ	13-25	PAK11	6-22

索引 INDEX

PC	6-115	QLA	4-19	SB	2-8~2-10	SQ	3-154	SRQB	5-2
	6-165~6-167	QLB	4-7		2-13	SQA	5-74	SRQF	5-3
PCA	3-63	QLC	4-12,4-18	SBD	2-7	SQR	5-22	SRQM	5-41
PCBS	3-145	QLD	4-76	SBK	2-6	SQRC	5-22	SRR	2-32
PCC	3-63	QLE	4-5,4-6	SC	2-12	SR-03*~07**		SRS*	3-144
PCE	3-60~3-62	QLED	4-49	SCA	3-23		5-21,5-33	SRTA	3-127
PCF	3-68	QLEH	4-5	SCB	3-19		5-36~5-38	SRTC	3-124
PCG	6-166	QLF	4-64	SCC	3-20,3-21	SR-12*~22**		SRTD	3-127
PCJ	3-66	QLG	4-4	SCD	3-16		5-7,5-12~5-14	SRTF	3-125
PCK	3-64,3-65	QLH	4-62,4-63		3-17,3-21		5-17,5-42	SRTH	3-124
PCM	3-77	QLJ	4-13	SCE	3-14	SR-02Y~48Y		SRTK	3-125
PCN	3-69	QLK	4-6,4-7	SCF	3-21		5-11,5-14,5-17	SRTM	3-126
PCQ	3-76	QLL	8-76	SCG	3-14		5-18,5-19,5-21	S RTP	3-127
PCR	3-62	QLM	4-63	SCK	3-13,3-15		5-23~5-27	SRTQ	3-125
PCS	6-52,6-53	QLP	4-63	SCL	3-23	SR-1*~4**		SRTY	3-126
PCS-2A	3-66	QLQ	4-7	SCM	3-22,3-23		5-27~5-30	SRU	5-63,5-64
PCT		QLR	4-63	SCP	3-22		5-32~5-39	SRX	5-31
	6-170,6-171	QLS	4-62	SCQ	3-13		5-40,5-64,5-65	SRXD	5-32
PCU	6-171	QLT	4-30	SCS	3-16	SRB	5-17	SRXM	5-21
PCW	6-171	QLU	4-30	SCT	3-17~3-19	SRBK	5-18	SRY	5-4
PCX	6-36	QLW	4-61	SCTMS	3-92	SRCK	5-8,5-9	SRYC	5-3
PCY	3-63	QLX	4-19	SCU	3-16		5-16,5-19	SRYD	5-5
PDB	6-165	QLY	4-37	SCW	3-15	SRCM	5-16	SRYK	5-4
PDT	6-130,6-131	QPI	13-78	SCX	3-15	SRCQ	5-4	SRZ	5-5
PEB	13-83	QQA	4-61	SCY	3-17	SRD-1*~5*		SS	2-12
PED	13-29	QQD	4-13	SCZ	3-14		5-6~5-13,5-15	SSA	3-53
PF	12-27	QQR	4-27	SDA	3-22	SRD-7*~25*		SSBS*	3-54
PG	1-14~1-26	QRN	1-53	SDC	3-73		5-15	SSK	2-12
PH	13-17,13-18		【R】	SDF	3-71		5-18~5-20	SSR	3-145
PHA	3-64	R系列墊座		SDH	13-98	SRDK	5-7	STR	5-40
PIN	13-113		9-9,9-10	SDM	3-71	SRDM	5-5	SU	5-71
PL	6-168	RJ	13-93	SDN	3-73	SRDW	5-40	SU2,SU6	5-76
PLA	6-169	RL	3-148	SDS	3-53	S RF	5-2	SU6A	5-72
PLB	6-169	RMF	3-140	SDT	3-53	S R FK	5-39,5-40	SUN4,SUN6	5-74
PLC	6-170	RMG	3-141	SF	5-75	SRG	5-8	SUP	3-164
PSA	12-5~12-6	RMJ	3-141	SG	2-5	SRH	5-9	SW4,SW5	5-78
PSF	12-10	RMK	3-141	SH	3-146,3-147	SRJ	5-2	SWA	8-55
PSK	12-11	RMT	3-141	SHC	8-33	SRL	5-16	SY	2-11
PST	12-26	RS	3-148,3-149	SK	3-13	SRM	5-6	SYB	2-11
PTC	8-15	RX*	9-11	SL	2-6	SRMD	5-41	SZ	5-61
	【Q】		【S】	SLED	4-3	SRMF	5-30		【T】
Q系列墊座	9-13	S系列墊座	9-8	SLM	2-6	SRMQ	5-33	T系列墊座	9-13
QBE	4-66	S系列螺帽	5-80	SM	5-78,5-79	SRMR	5-29	T9A	13-124
QBF	4-52	S系列螺絲		SMA4,SMA6	5-81	SRMT	5-30	TA,TA*	
QBK	4-66		5-70~5-73	SMC4	5-81	SRN	5-25		6-115~6-118
QBT	4-31		5-76,5-77,5-80	SN4	5-75	SRNT	5-24	TAA	3-10
QBU	4-62	SA	2-10,2-11	SNT	5-72	SRQ	5-41	TAH	3-155
QDC	8-6	SAQ	2-21	SP	13-32	SRQA	5-3	TAJ	3-84

索引 INDEX

TAK	3-72	THC	3-159	TX11	6-123	UWQ	8-43	WSU	8-34,8-48
TAN	3-79	THK	3-159	【U】		UWS	8-44	WSX	8-41
TAX	3-69	THM	3-159	U系列墊座	9-8	UWT	8-30	WSZ	2-7
TB	3-138,3-140	THT	3-160	U系列華司		UWX	8-34	WU	8-47
TB8,TB20	6-119	THU4,THU6	3-157		8-29~8-33	UWXC	8-44	WUS	8-47
TBK	3-95	TH3F	3-160		8-37,8-38	【V】		WWA	8-60
TBW	3-96	THU6-712F		UA	3-106	VCK	13-66	WWD	8-5
TC20	6-124	TK6	6-121	UAC	13-103	VCP	13-72	WWF	8-45
TCA	3-84,3-85	TN16	6-116	UB	3-102~3-105	VCQ	13-72	WWK	8-42
TCBS	3-86	TO	8-89	UBA	13-25	VFA	13-109	【Y】	
TCBK	3-94	TPW	13-114	UBC	3-105	VTU	2-35	YAA	12-18
TCBR	3-79	TQ	8-2	UBL	3-106	VVC	13-128	YAD	12-5
TCC	3-76	TQA	8-89	UCB	3-45,3-48	【W】		YAK	12-23
TCD	3-75	TQC	8-2	UCC	3-30	WC	14-7	YAKS	12-23
TCF	3-69	TQJ	8-57	UCD	3-40	WCB	3-59	YAM	12-20
TCG	3-94	TQP	8-58	UCF	3-30	WCC	8-35	YAT	12-17
TCH	3-72	TR-01~10**		UCH	3-46	WCD	5-59	YJ	12-2
TCJ	3-78	8-70~8-74		UCK	3-40	WHT	9-6		12-18~12-19
TCK	3-78	8-77~8-82		UCX	3-27	WRA	8-31	YJA	12-6
TCL	3-87	TR-11~35*	8-75	UN4,UN6	5-80	WRB	8-43	YJB	12-12
TCM3	3-86,3-87	8-82~8-85,8-87		UN10	5-81	WRC	8-40	YJC	12-7,12-8
TCN	3-78	TRA	8-57	UN6K	8-35	WRD	8-39,8-41	YJD	12-22
TCP	3-96	TRC	8-55~8-57	UNB	3-106	WRF	8-43	YJF	12-11
TCQ	3-72	TRE	8-80	UNC	3-106	WRK	8-40	YJH	12-14
TCR	3-84	TRJ	8-86	UNG	3-107	WRP	8-42	YJK	12-13
TCS	3-77	TRJP	8-86	US	2-28	WRX	9-11	YJL	12-12
TCT	3-93	TRJQ	8-86	USB		WS	8-33,8-36	YJM	12-13
TCU	3-41	TRJW	8-86		13-84~13-88		8-40,8-41	YJP	12-8
TCW	3-69	TRK	8-74	USC	2-27	WSA	8-43,8-44	YJQ	12-9
TCX	3-79	TRL	8-75	USCF	2-27	WSB	8-46	YJR	12-7
TCY	3-83	TRM	8-85	USF	13-88	WSC	8-45	YJS	12-9
TCYA	3-83	TRN	8-76	USJ	13-88	WSE	8-60	YJW	12-10
TD*	6-120	TRNC	8-76	USK	2-26	WSF	8-39	YL	6-143~6-145
TDA	6-57	TRQ	8-87,8-88	USM	2-26	WSG	8-58~8-60	YLA	6-144
TDD	6-54	TRR	8-70	USQ	13-89	WSGB	8-59	YLB	6-144
TDF	6-54	TRT	8-74	UST	2-25,2-27	WSGT	8-59	YLC	6-143
TDH	6-85	TRW	8-74	UTF	6-146	WSH	8-42	YLED	4-43
TDR16	6-121	TRX	8-85	UTU	2-36	WSI	8-59	YLF	6-145
TDY8	6-120	TRY	8-75	UW	1-30	WSJ	8-46	【其他】	
TDY11	6-121	TRZ	8-73		13-21~13-23	WSL	8-46	熱收縮套管	8-88
TE21	6-122	TS	3-138	UWA	8-29	WSM	8-48		
TEY4	6-122	TSA	3-138	UWB	8-29	WSN	8-49		
TF8	6-116	TSC	3-139	UWC	8-30	WSNA	8-61		
TG12	6-120	TSD	3-139	UWD	8-38,8-42	WSP	2-7		
TGB	13-112	TT15	6-123	UWF	8-44	WSQ	8-47		
TH,TH2,TH4		TU14	6-122	UWJ	8-38	WSR	8-34		
	3-158	TUA	6-119	UWK	8-39	WSS	8-50		
THB	3-159	TUT	6-124	UWM	8-44	WST	8-47		

門扣

MAGNET LATCH, STRIKER
LATCH, PUSH LATCH

01



導光棒
LIGHT PIPE



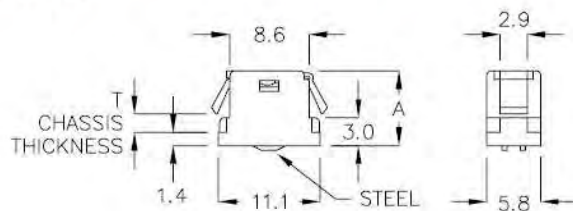
塑膠阻尼器
ROTARY DAMPER



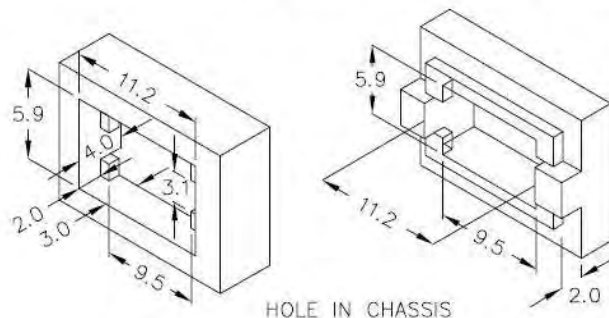
扣具 MAGNET LATCH(磁鐵式)

1-2-1

- MATERIAL: NYLON 66(UL)+STEEL
- FLAME CLASS: 94V-2
- COLOR: BLACK



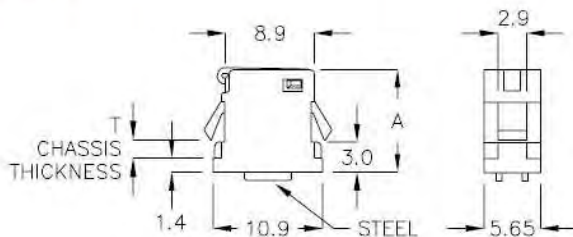
PART NO	A	T CHASSIS THICKNESS	PACKAGE
DLA-01	8.4	2.0	1000



扣具 MAGNET LATCH(磁鐵式)

1-2-2

- MATERIAL: NYLON 66(UL)+STEEL
- FLAME CLASS: 94V-2
- COLOR: BLACK



PART NO	A	T CHASSIS THICKNESS	PACKAGE
DLA-02	10.2	1.9	1000

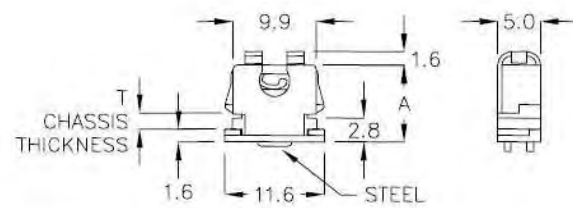
HOLE IN CHASSIS SAME AS DLA-01 (Page 1-2-1)



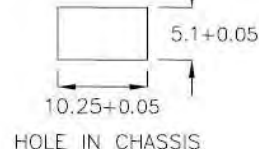
扣具 MAGNET LATCH(磁鐵式)

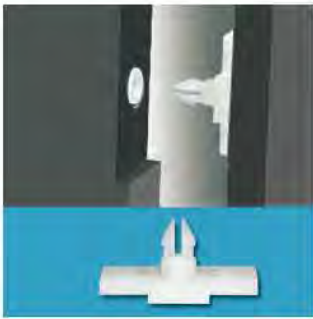
1-2-3

- MATERIAL: NYLON 66(UL)+STEEL
- FLAME CLASS: 94V-2
- COLOR: BLACK



PART NO	A	T CHASSIS THICKNESS	PACKAGE
DLA-03	8.9	2.0	1000





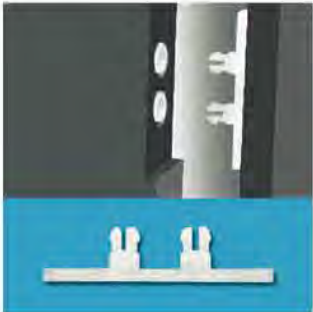
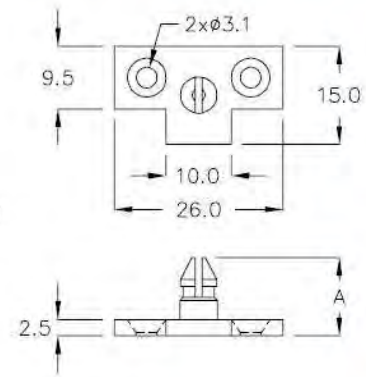
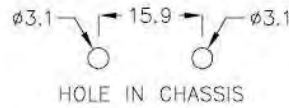
扣具 STRIKER

1-3-1

- MATERIAL: NYLON 66(UL)
- FLAME CLASS: 94V-2
- COLOR: NATURAL

PART NO	A	PACKAGE
DL-10A	12.0	500

TO BE USED WITH P.G. PART DL-10, DL-10F (Page 1-3-3, 1-3-4)



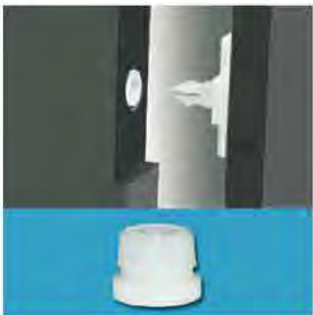
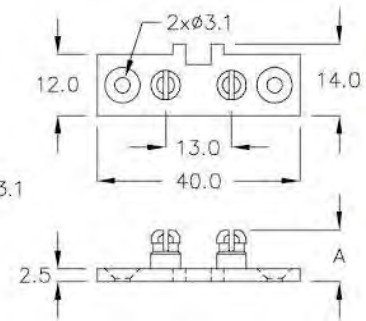
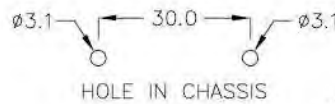
扣具 STRIKER

1-3-2

- MATERIAL: NYLON 66(UL)
- FLAME CLASS: 94V-2
- COLOR: NATURAL

PART NO	A	PACKAGE
DL-10K	10.1	500

TO BE USED WITH P.G. PART DL-10H (Page 1-4-1)



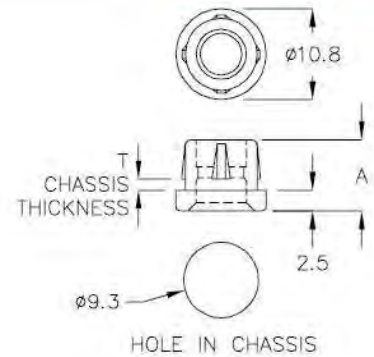
扣具 LATCH

1-3-3

- MATERIAL: NYLON 66(UL)
- FLAME CLASS: 94V-2
- COLOR: NATURAL

PART NO	A	T CHASSIS THICKNESS	PACKAGE
DL-10	8.5	1.4	500

TO BE USED WITH P.G. PART DL-10A (Page 1-3-1)



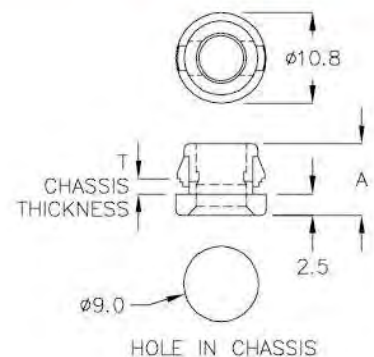
扣具 LATCH

1-3-4

- MATERIAL: NYLON 66(UL)
- FLAME CLASS: 94V-2
- COLOR: NATURAL

PART NO	A	T CHASSIS THICKNESS	PACKAGE
DL-10F	8.5	1.2~1.6	500

TO BE USED WITH P.G. PART DL-10A (Page 1-3-1)

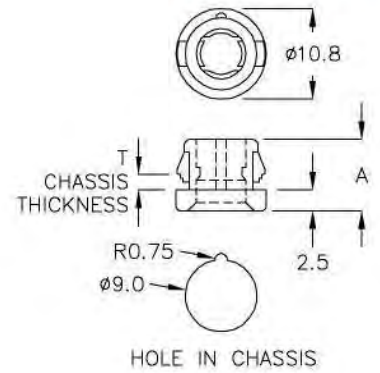




扣具 LATCH

1-4-1

- MATERIAL: NYLON 66(UL)
- FLAME CLASS: 94V-2
- COLOR: NATURAL



PART NO	A	T CHASSIS THICKNESS	PACKAGE
DL-10H	8.5	1.4~1.6	500

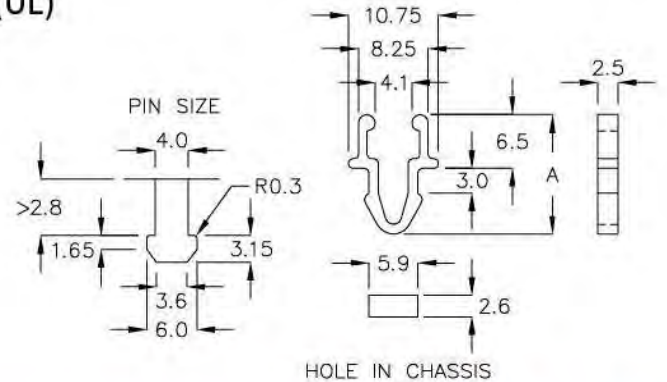
TO BE USED WITH P.G. PART DL-10K (Page 1-3-2)



扣具 LATCH

1-4-2

- MATERIAL: NYLON 66(UL)
- FLAME CLASS: 94V-2
- COLOR: BLACK



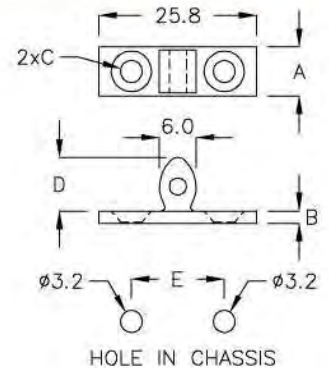
PART NO	A	PACKAGE
DL-2	14.7	1000



扣具 STRIKER

1-4-3

- MATERIAL: NYLON 66(UL)
- FLAME CLASS: 94V-2
- COLOR: NATURAL



PART NO	A	B	C	D	E	PACKAGE
DL-008	13.0	1.5	3.7	9.9	18.0	1000
DL-8DK	8.0	2.0	3.6	8.7	15.2	

DL-8DK TO BE USED WITH P.G. PART DL-9DK (Page 1-5-1)

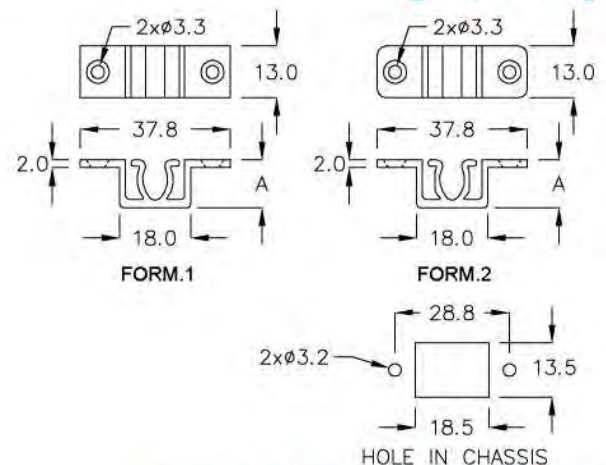
DL-008 TO BE USED WITH P.G. PART DL-009, DL-9KA, DLC-14 (Page 1-4-4, 1-5-2)



扣具 LATCH

1-4-4

- MATERIAL: POM(UL)
- FLAME CLASS: 94HB
- COLOR: NATURAL



PART NO	A	FORM	PACKAGE
DL-009	12.1	1	200
DL-9KA	12.0	2	

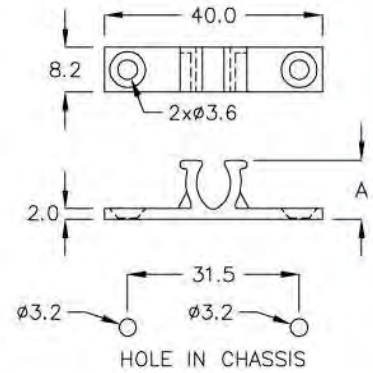
TO BE USED WITH P.G. PART DL-008 (Page 1-4-3)



扣具 LATCH

1-5-1

- MATERIAL: POM(UL)
- FLAME CLASS: 94HB
- COLOR: NATURAL
- WITH COUNTERSUNK SCREW



PART NO	A	PACKAGE
DL-9DK	10.8	200

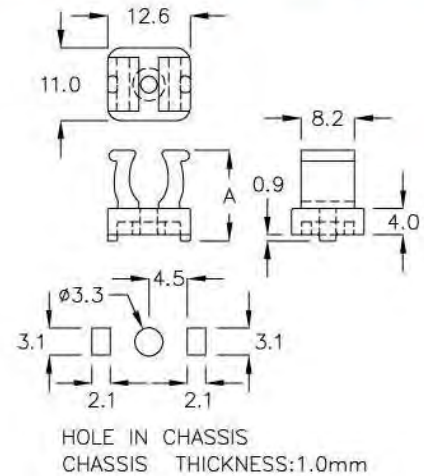
TO BE USED WITH P.G. PART DL-8DK (Page 1-4-3)



扣具 LATCH

1-5-2

- MATERIAL: NYLON 66(UL)
- FLAME CLASS: 94V-2
- COLOR: NATURAL
- USE M3x4 TAPPING SCREW



PART NO	A	PACKAGE
DLC-14	13.7	500

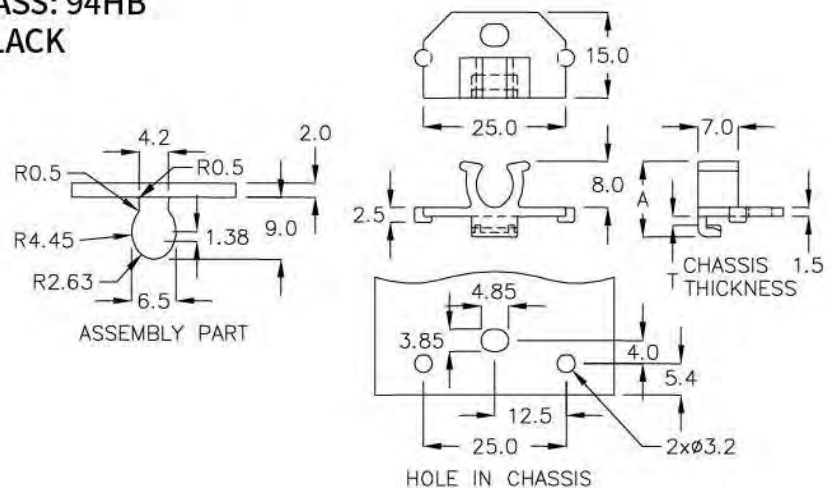
TO BE USED WITH P.G. PART DL-008 (Page 1-4-3)



扣具 LATCH

1-5-3

- MATERIAL: POM
- FLAME CLASS: 94HB
- COLOR: BLACK



PART NO	A	CHASSIS THICKNESS	PACKAGE
DLM-06	13.15	1.5	2000

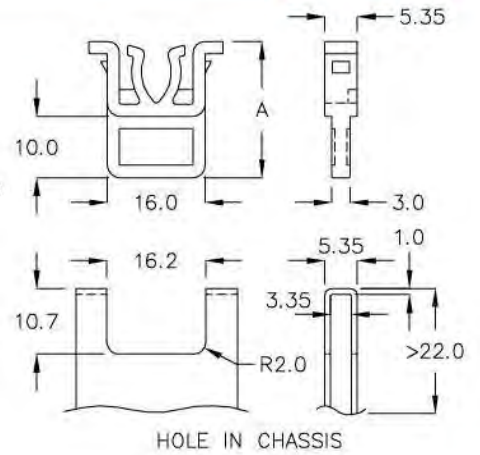
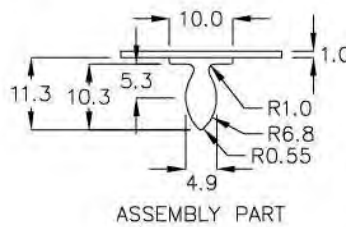


PART NO	A	PACKAGE
DLF-22QT	22.2	200

扣具 LATCH

1-6-1

- MATERIAL: POM(UL)
- FLAME CLASS: 94HB
- COLOR: NATURAL

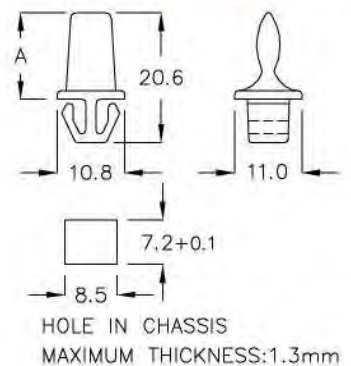


PART NO	A	PACKAGE
DL-20A	13.7	500

扣具 STRIKER

1-6-2

- MATERIAL: POM(UL)
- FLAME CLASS: 94HB
- COLOR: NATURAL



TO BE USED WITH P.G. PART DL-20 (Page 1-6-3)

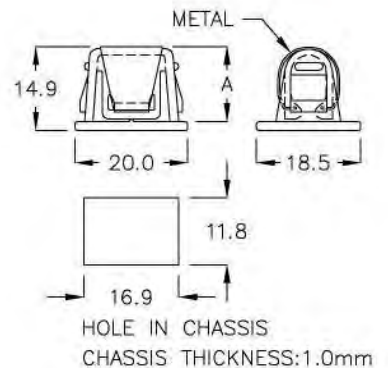


PART NO	A	PACKAGE
DL-20	13.2	500

扣具 LATCH

1-6-3

- MATERIAL: NYLON 66(UL)
- FLAME CLASS: 94V-2
- METAL MATERIAL: SK7 BLUE ZINC PLATED
- COLOR: NATURAL



TO BE USED WITH P.G. PART DL-20A (Page 1-6-2)

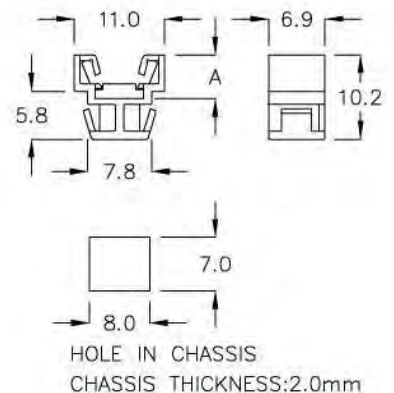
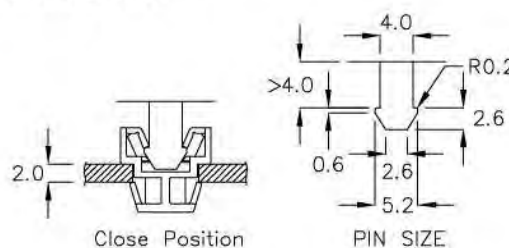


PART NO	A	PACKAGE
DLB-4A	5.3	1000

扣具 LATCH

1-6-4

- MATERIAL: NYLON 66(UL)
- FLAME CLASS: 94V-2
- COLOR: BLACK

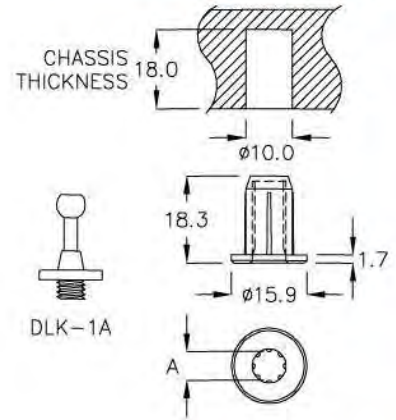




扣具 LATCH

1-7-1

- MATERIAL: PP(UL), NYLON 6(UL)
- COLOR: BLACK



PART NO	MATERIAL	A	PACKAGE
DLK-01	PP V0	∅6.0	500
DLK-02	N6 V2	∅5.85	

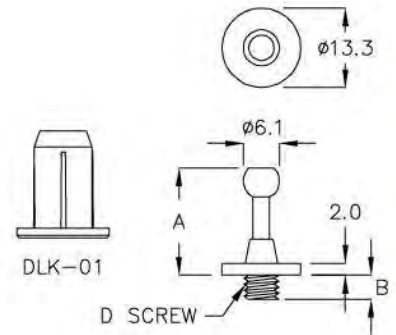
TO BE USED WITH P.G. MALE PART DLK-1A (Page 1-7-2)



扣具 STRIKER

1-7-2

- MATERIAL: NYLON 66(UL)
- FLAME CLASS: 94V-2
- COLOR: BLACK



PART NO	A	B	D SCREW	PACKAGE
DLK-1A	18.0	4.0	M6	500

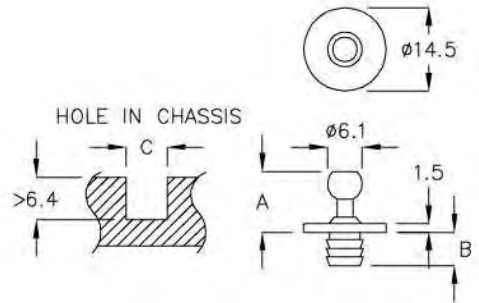
TO BE USED WITH P.G. FEMALE PART DLK-01, DLK-02 (Page 1-7-1)



扣具 STRIKER

1-7-3

- MATERIAL: NYLON 66(UL)
- FLAME CLASS: 94V-2
- COLOR: BLACK



PART NO	A	B	C HOLE IN CHASSIS	PACKAGE
DLK-2A	10.6	5.8	∅6.1	500

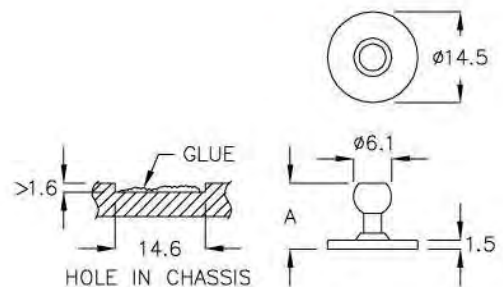
TO BE USED WITH P.G. FEMALE PART MPL-02, MPL-04 (Page 1-8-1)



扣具 STRIKER

1-7-4

- MATERIAL: NYLON 66(UL)
- FLAME CLASS: 94V-2
- COLOR: BLACK



PART NO	A	PACKAGE
DLK-2C	10.6	500

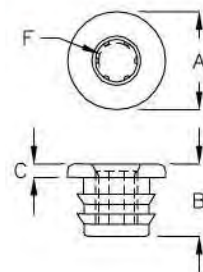
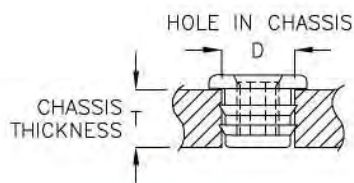
TO BE USED WITH P.G. FEMALE PART MPL-02, MPL-04 (Page 1-8-1)



固定座 LATCH

- MATERIAL: TPE
- COLOR: BLACK

1-8-1



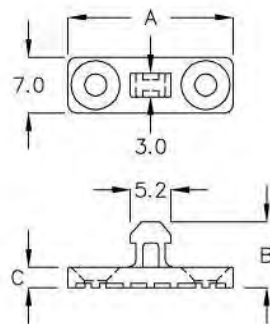
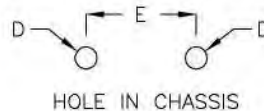
PART NO.	A	B	C	F	T CHASSIS THICKNESS	D HOLE IN CHASSIS	MATERIAL	PACKAGE
MPL-01	ø15.0	10.8	1.8	ø6.0	10.0	ø10.0	TPE 55'	500
						ø10.5	TPE 70'	
MPL-02	ø15.0	11.0	2.0	ø5.5	10.0	ø10.0	TPE 55'	
						ø10.5	TPE 70'	
MPL-04	ø14.0	10.5	2.0	ø5.9	9.5	ø10.0	TPE 55'	
						ø10.5	TPE 70'	



扣具 PUSH LATCH STRIKER

- MATERIAL: NYLON 66(UL)
- FLAME CLASS: 94V-2
- COLOR: BLACK
- WITH COUNTERSUNK SCREW

1-8-2



PART NO.	A	B	C	D	E	SUITABLE PUSH LATCH WITH P.G. PART	PACKAGE
DL-03C	21.0	8.3	2.6	ø2.8	14.0	DL-150C, DL-400D	1000

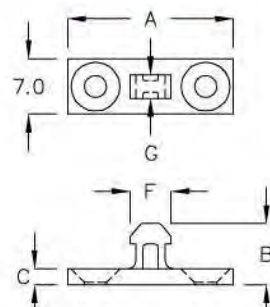
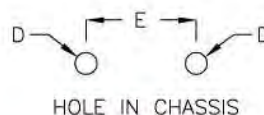
TO BE USED WITH P.G. PART DL-SERIES (Page 1-12-3, 1-13-2)



扣具 PUSH LATCH STRIKER

- MATERIAL: NYLON 66(UL)
- FLAME CLASS: 94V-2
- COLOR: BLACK
- WITH COUNTERSUNK SCREW

1-8-3



PART NO.	A	B	C	D	E	F	G	SUITABLE PUSH LATCH WITH P.G. PART	PACKAGE
DL-001	25.0	10.1	2.1	ø3.2	15.0	5.2	3.0	DL-100B, DL-400D	1000
DL-003	21.0	7.7	2.0	ø2.8	14.0	5.2	3.0	DL-100C, DL-150C DL-400D	
★ DL-07SK	25.0	10.1	2.1	15.0	ø3.2	5.7	3.3	DL-700F	

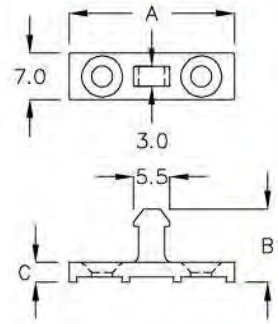
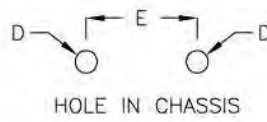
TO BE USED WITH P.G. PART DL-SERIES (Page 1-12, 1-13-2, 1-14-1)



扣具 PUSH LATCH STRIKER

1-9-1

- MATERIAL: NYLON 66(UL)
- FLAME CLASS: 94V-2
- COLOR: BLACK
- WITH COUNTERSUNK SCREW



PART NO	A	B	C	D	E	SUITABLE PUSH LATCH WITH P.C. PART	PACKAGE
DL-002	25.0	11.0	3.0	∅3.2	15.0	DL-100A, DL-100C DL-150C, DL-400D	1000

TO BE USED WITH P.G. PART DL-SERIES (Page 1-11-2, 1-12-2, 1-12-3, 1-13-2)

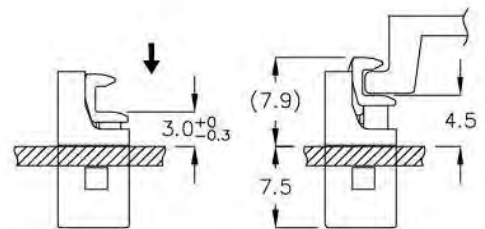


門扣 PUSH LATCH

1-9-2

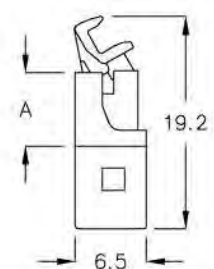
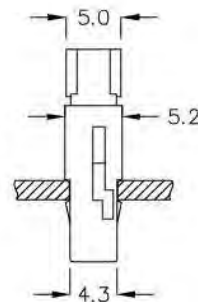
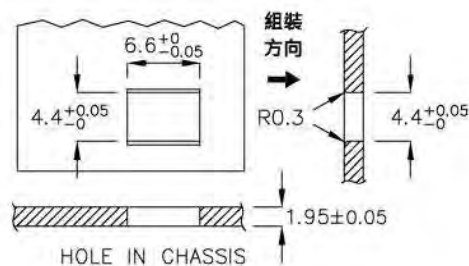
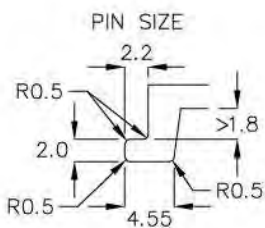
- MATERIAL: NYLON 66(UL),PC(UL)
- FLAME CLASS: 94V-2
- COLOR: BLACK
- MATERIAL: STEEL,SPRING

PART NO	A	PACKAGE
DL-250	6.65	1000



夾子欲下壓產生扣住功能時
行程距離卡板頂端衝程
3.0mm
Maximum Push-IN Position

夾子扣住時
夾子頂端位置
距離卡板頂端
4.5mm
Close Position



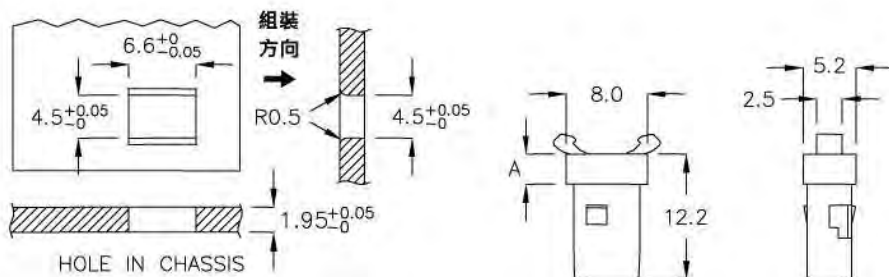
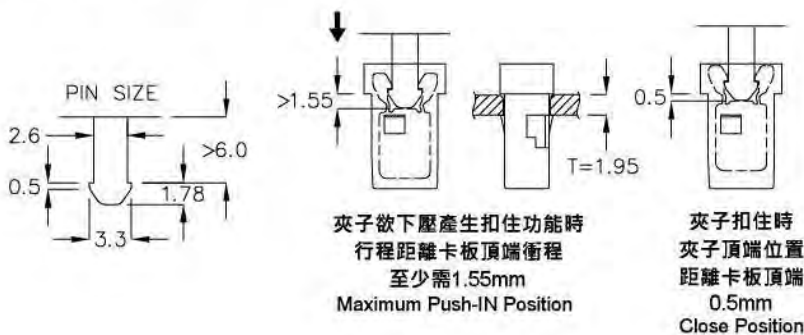


PART NO	A	PACKAGE
DL-220C	2.95	2000

門扣 PUSH LATCH

1-10-1

- MATERIAL: NYLON 66(UL),PC(UL)
- FLAME CLASS: 94V-2
- COLOR: BLACK
- MATERIAL: STEEL,SPRING

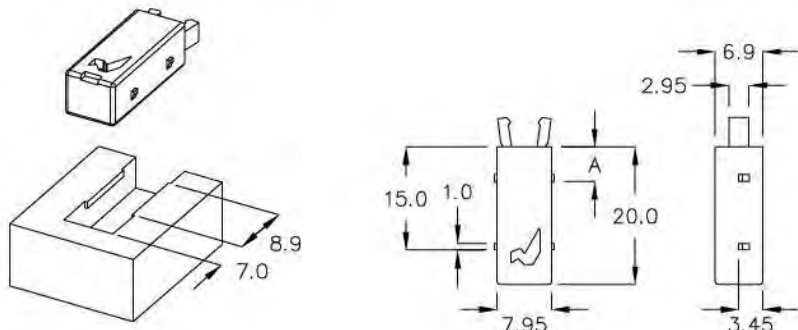
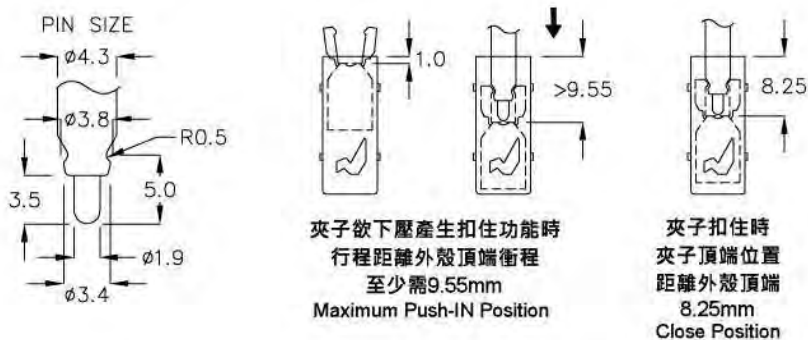


PART NO	A	PACKAGE
DL-550	5.0	1000

門扣 PUSH LATCH

1-10-2

- MATERIAL: NYLON 66(UL),PC(UL)
- FLAME CLASS: 94V-2
- COLOR: BLACK
- MATERIAL: POM,SPRING



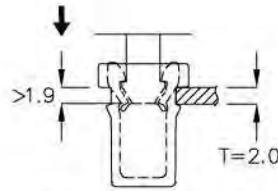
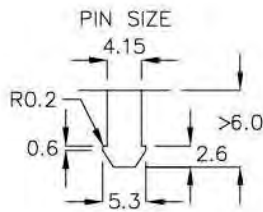


門扣 PUSH LATCH

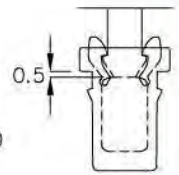
1-11-1

- MATERIAL: NYLON 66(UL),PC(UL)
- FLAME CLASS: 94V-2
- COLOR: BLACK
- MATERIAL: STEEL,SPRING

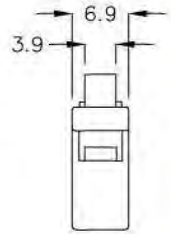
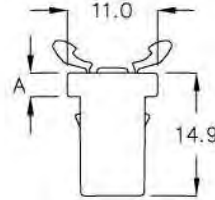
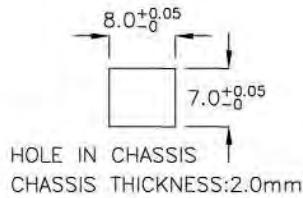
PART NO	A	PACKAGE
DL-650C	2.9	1000



夾子欲下壓產生扣住功能時
行程距離卡板頂端衝程
至少需1.9mm
Maximum Push-IN Position



夾子扣住時
夾子頂端位置
距離卡板頂端
0.5mm
Close Position

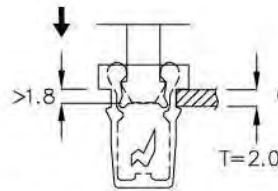
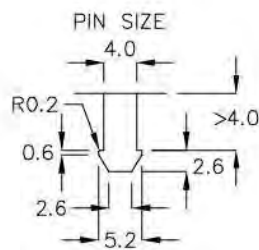


門扣 PUSH LATCH

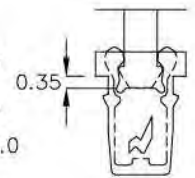
1-11-2

- MATERIAL: NYLON 66(UL),PC(UL)
- FLAME CLASS: 94V-2
- COLOR: BLACK,GRAY
- MATERIAL: POM,SPRING

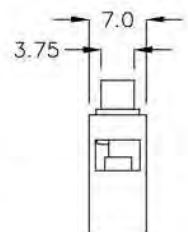
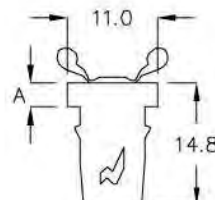
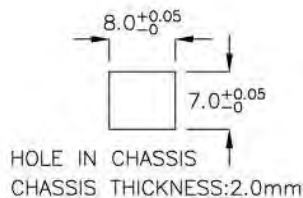
PART NO	A	PACKAGE
DL-100A	2.9	1000



夾子欲下壓產生扣住功能時
行程距離卡板頂端衝程
至少需1.8mm
Maximum Push-IN Position



夾子扣住時
夾子頂端位置
距離卡板頂端
0.35mm
Close Position

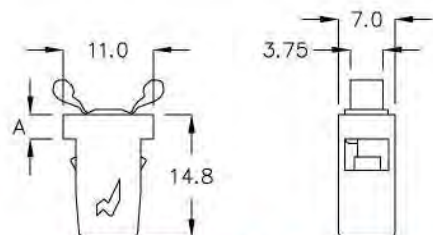
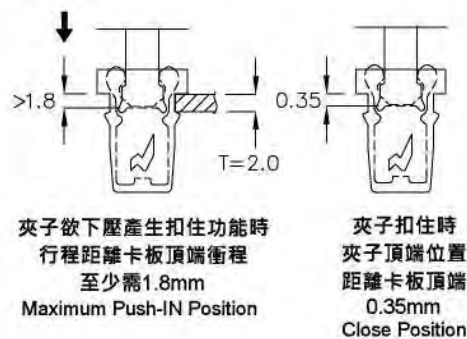
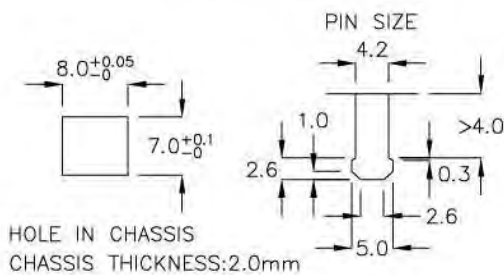




PART NO	A	PACKAGE
DL-100B	2.9	1000

門扣 PUSH LATCH

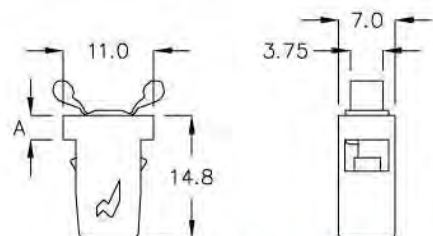
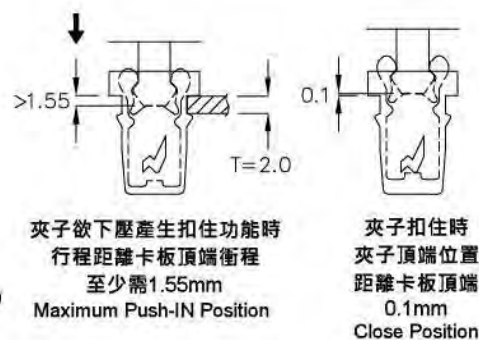
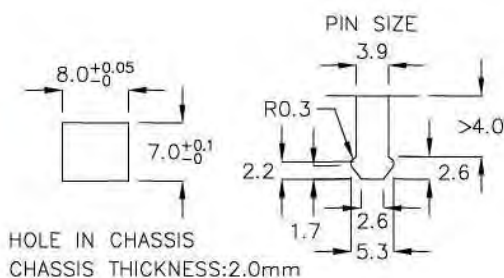
- MATERIAL: NYLON 66(UL),PC(UL)
- FLAME CLASS: 94V-2
- COLOR: BLACK
- MATERIAL: POM,SPRING



PART NO	A	PACKAGE
DL-100C	2.9	1000

門扣 PUSH LATCH

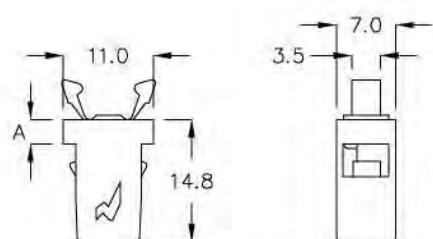
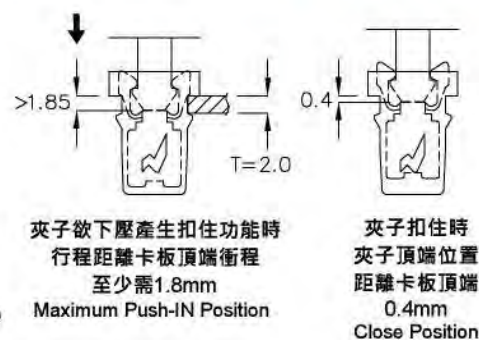
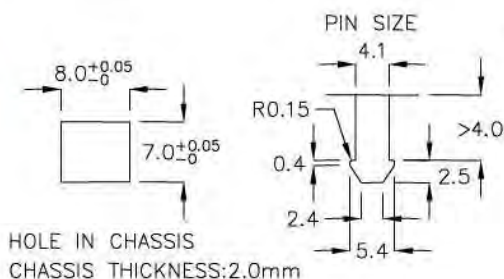
- MATERIAL: NYLON 66(UL),PC(UL)
- FLAME CLASS: 94V-2
- COLOR: BLACK
- MATERIAL: POM,SPRING



PART NO	A	PACKAGE
DL-150C	2.9	1000

門扣 PUSH LATCH

- MATERIAL: NYLON 66(UL),PC(UL)
- FLAME CLASS: 94V-2
- COLOR: BLACK
- MATERIAL: POM,SPRING



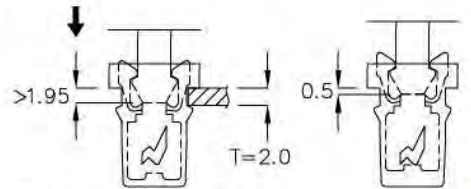
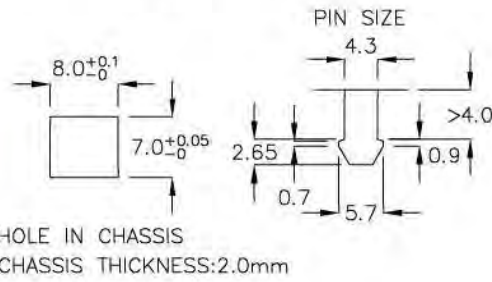


門扣 PUSH LATCH

1-13-1

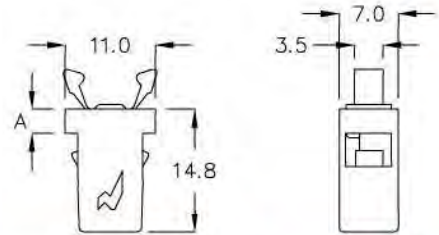
- MATERIAL: NYLON 66(UL),PC(UL)
- FLAME CLASS: 94V-2
- COLOR: BLACK
- MATERIAL: POM,SPRING

PART NO	A	PACKAGE
DL-150F	2.9	1000



夾子欲下壓產生扣住功能時
行程距離卡板頂端衝程
至少需1.95mm
Maximum Push-IN Position

夾子扣住時
夾子頂端位置
距離卡板頂端
0.5mm
Close Position

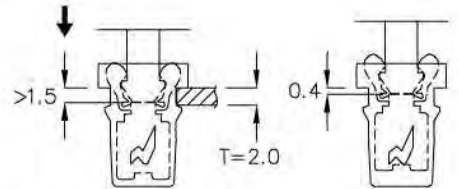
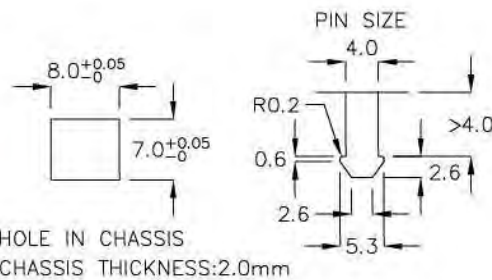


門扣 PUSH LATCH

1-13-2

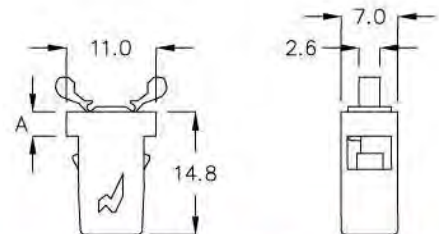
- MATERIAL: NYLON 66(UL),PC(UL)
- FLAME CLASS: 94V-2
- COLOR: BLACK,GRAY
- MATERIAL: POM,SPRING

PART NO	A	PACKAGE
DL-400D	3.1	1000



夾子欲下壓產生扣住功能時
行程距離卡板頂端衝程
至少需1.5mm
Maximum Push-IN Position

夾子扣住時
夾子頂端位置
距離卡板頂端
0.4mm
Close Position

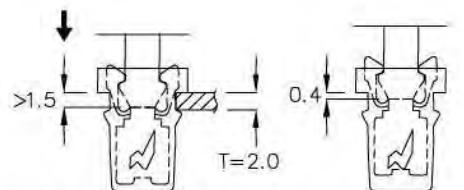
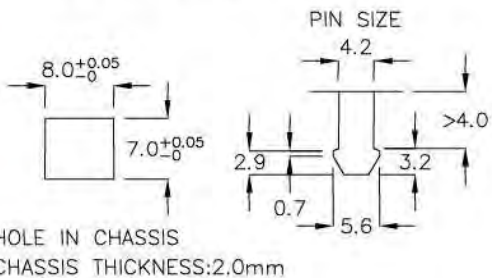


門扣 PUSH LATCH

1-13-3

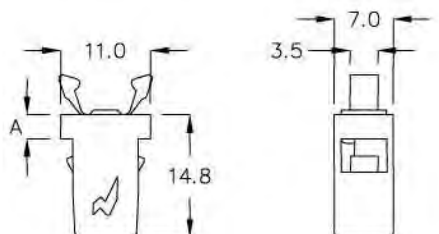
- MATERIAL: NYLON 66(UL),PC(UL)
- FLAME CLASS: 94V-2
- COLOR: BLACK
- MATERIAL: POM,SPRING

PART NO	A	PACKAGE
DL-400H	3.1	1000



夾子欲下壓產生扣住功能時
行程距離卡板頂端衝程
至少需1.5mm
Maximum Push-IN Position

夾子扣住時
夾子頂端位置
距離卡板頂端
0.4mm
Close Position



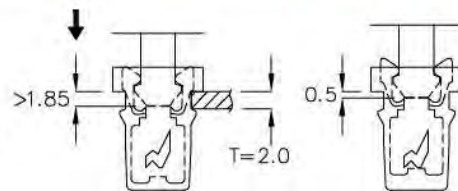
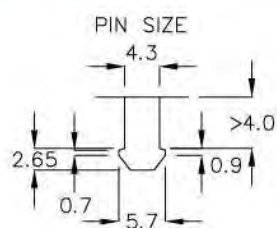


門扣 PUSH LATCH

1-14-1

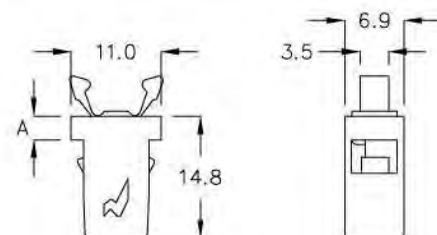
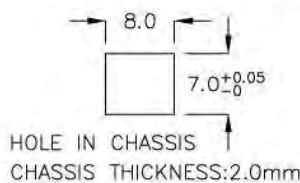
- MATERIAL: NYLON 66(UL),PC(UL)
- FLAME CLASS: 94V-2
- COLOR: BLACK
- MATERIAL: POM,SPRING

PART NO	A	PACKAGE
DL-700F	2.9	1000



夾子欲下壓產生扣住功能時
行程距離卡板頂端衝程
至少需1.85mm
Maximum Push-IN Position

夾子扣住時
夾子頂端位置
距離卡板頂端
0.5mm
Close Position

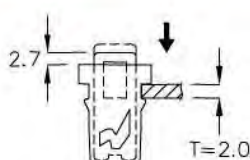


門扣 PUSH LATCH

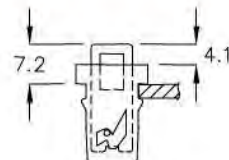
1-14-2

- MATERIAL: NYLON 66(UL),PC(UL)
- FLAME CLASS: 94V-2
- COLOR: BLACK,GRAY
- MATERIAL: POM,SPRING

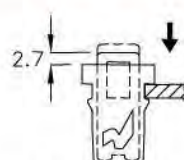
PART NO	A	B	PACKAGE
DL-400P	3.1	5.25	1000



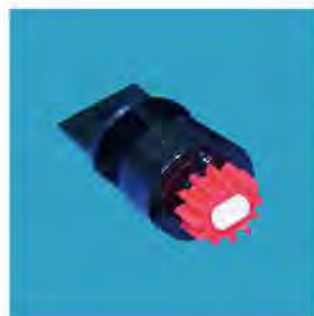
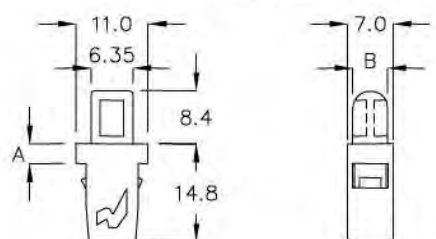
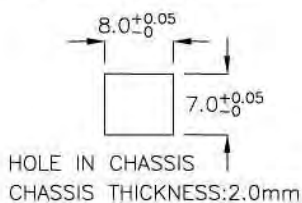
下壓頂出裝置
產生扣住功能時
距離外殼頂端位置為2.7mm
(衝程至少需1.2mm)
Maximum Push-IN Position



扣住時頂端位置
距離外殼頂端
4.1mm
Close Position



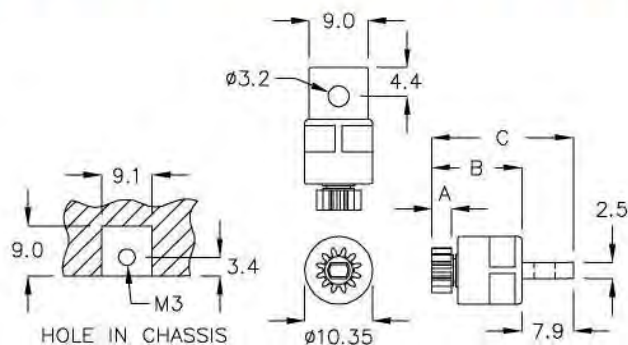
扣住後欲退出
需再下壓解除扣住功能
距離外殼頂端位置為2.7mm
(衝程至少需1.2mm)
Maximum Push-IN Position



塑膠阻尼器 ROTARY DAMPER

1-14-3

- MATERIAL: PC(UL)
- FLAME CLASS: 94V-2
- MATERIAL: POM
- FLAME CLASS: 94HB
- COLOR: BLACK



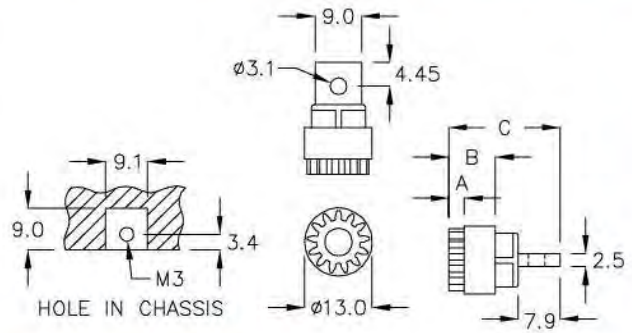
PART NO	PITCH DIAMETER	MODULE	TOOTH NUMBER	PRESSURE ANGLE	A	B	C	TORQUE (gf-cm)	PACKAGE
PG-10	ø6.0	0.5	12	20°	3.0	13.8	21.7	10~30	500

TORQUE VALVE CAN BE CUSTOMIZED PER CUSTOMERS' DEMAND



塑膠阻尼器 ROTARY DAMPER ———— | 1-15-1 |

- MATERIAL: ABS(UL)
- FLAME CLASS: 94HB
- MATERIAL: POM
- FLAME CLASS: 94HB
- COLOR: BLACK



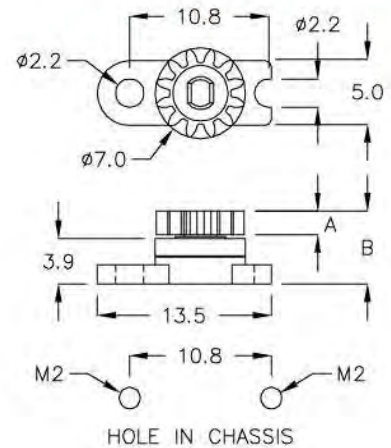
PART NO	PITCH DIAMETER	MODULE	TOOTH NUMBER	PRESSURE ANGLE	A	B	C	TORQUE (gf-cm)	PACKAGE
PG-01K	ø8.8	0.8	11	20°	3.0	8.8	21.7	23,38,63	500
PG-01A	ø10.4	0.8	13	20°	3.2	9.1	21.9		

TORQUE VALVE CAN BE CUSTOMIZED PER CUSTOMERS' DEMAND



塑膠阻尼器 ROTARY DAMPER ———— | 1-15-2 |

- MATERIAL: PC(UL)
- FLAME CLASS: 94V-2
- MATERIAL: POM
- FLAME CLASS: 94HB
- COLOR: BLACK



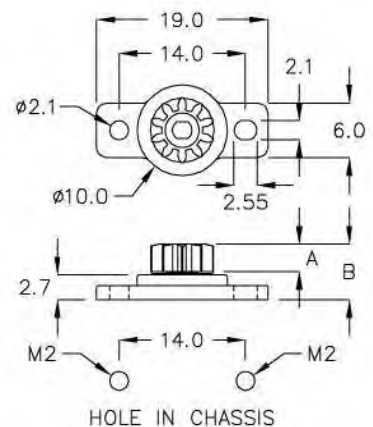
PART NO	PITCH DIAMETER	MODULE	TOOTH NUMBER	PRESSURE ANGLE	A	B	TORQUE (gf-cm)	PACKAGE
PG-04K	ø6.0	0.5	12	20°	1.8	5.7	7~30	1000

TORQUE VALVE CAN BE CUSTOMIZED PER CUSTOMERS' DEMAND



塑膠阻尼器 ROTARY DAMPER ———— | 1-15-3 |

- MATERIAL: PC(UL)
- FLAME CLASS: 94V-2
- MATERIAL: POM
- FLAME CLASS: 94HB
- COLOR: BLACK



PART NO	PITCH DIAMETER	MODULE	TOOTH NUMBER	PRESSURE ANGLE	A	B	TORQUE (gf-cm)	PACKAGE
PG-07S	ø6.0	0.6	10	20°	3.0	6.1	10~75	1000

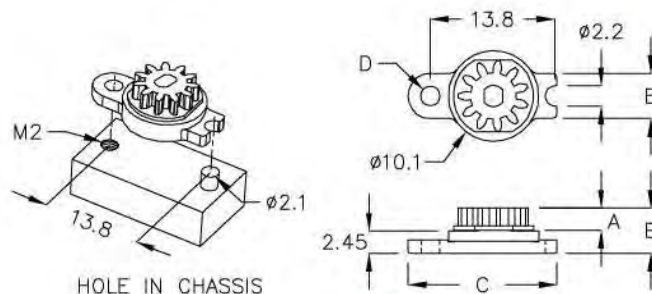
TORQUE VALVE CAN BE CUSTOMIZED PER CUSTOMERS' DEMAND



塑膠阻尼器 ROTARY DAMPER

1-16-1

- MATERIAL: ABS,POM
- FLAME CLASS: 94HB
- COLOR: BLACK



PART NO	PITCH DIAMETER	MODULE	TOOTH NUMBER	PRESSURE ANGLE	A	B	C	D	E	TORQUE (gf-cm)	PACKAGE
PG-7MK	ø6.6	0.6	11	20°	2.45	5.1	16.5	ø2.15	5.0	15,25	1000
PG-7CN	ø6.6	0.6	11	20°	3.45	6.1	16.5	ø2.15	5.0	45,60	

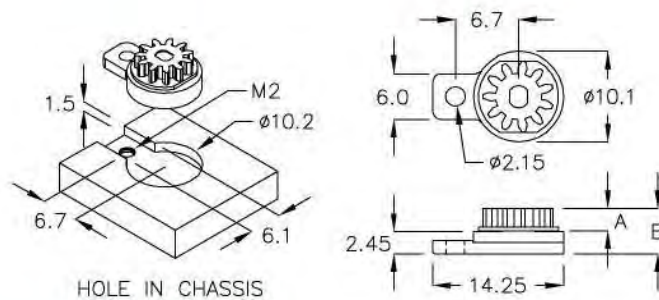
TORQUE VALVE CAN BE CUSTOMIZED PER CUSTOMERS' DEMAND



塑膠阻尼器 ROTARY DAMPER

1-16-2

- MATERIAL: ABS,POM
- FLAME CLASS: 94HB
- COLOR: BLACK



PART NO	PITCH DIAMETER	MODULE	TOOTH NUMBER	PRESSURE ANGLE	A	B	TORQUE (gf-cm)	PACKAGE
PG-7BP	ø6.6	0.6	11	20°	2.45	5.1	15,25,45,60	1000

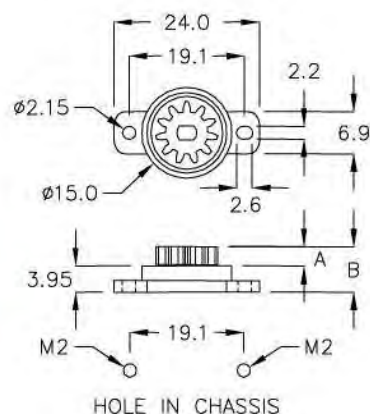
TORQUE VALVE CAN BE CUSTOMIZED PER CUSTOMERS' DEMAND



塑膠阻尼器 ROTARY DAMPER

1-16-3

- MATERIAL: ABS(UL)
- FLAME CLASS: 94HB
- MATERIAL: POM
- FLAME CLASS: 94HB
- COLOR: BLACK



PART NO	PITCH DIAMETER	MODULE	TOOTH NUMBER	PRESSURE ANGLE	A	B	TORQUE (gf-cm)	PACKAGE
PG-3AS	ø8.8	0.8	11	20°	3.55	7.5	15	500
PG-3MS	ø10.4	0.8	13	20°	3.55	7.5		

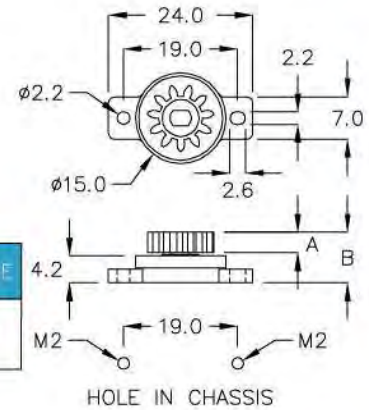
TORQUE VALVE CAN BE CUSTOMIZED PER CUSTOMERS' DEMAND



塑膠阻尼器 ROTARY DAMPER

1-17-1

- MATERIAL: PC(UL)
- FLAME CLASS: 94V-2
- MATERIAL: POM
- FLAME CLASS: 94HB
- COLOR: BLACK



PART NO	PITCH DIAMETER	MODULE	TOOTH NUMBER	PRESSURE ANGLE	A	B	TORQUE (gf-cm)	PACKAGE
PG-13	ø8.8	0.8	11	20°	3.0	7.7	45,70,100,130	500
PG-13M	ø10.4	0.8	13	20°	3.0	7.7	150,200,230,270	

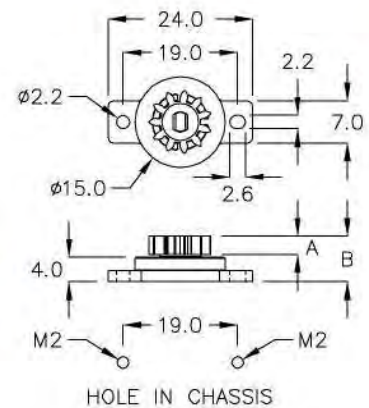
TORQUE VALVE CAN BE CUSTOMIZED PER CUSTOMERS' DEMAND



塑膠阻尼器 ROTARY DAMPER

1-17-2

- MATERIAL: PC(UL)
- FLAME CLASS: 94V-2
- MATERIAL: POM
- FLAME CLASS: 94HB
- COLOR: BLACK



PART NO	PITCH DIAMETER	MODULE	TOOTH NUMBER	PRESSURE ANGLE	A	B	TORQUE (gf-cm)	PACKAGE
PG-13QR	ø8.8	0.8	11	20°	3.0	7.5	15~175	500
PG-13YP	ø10.4	0.8	13	20°	3.0	7.5		

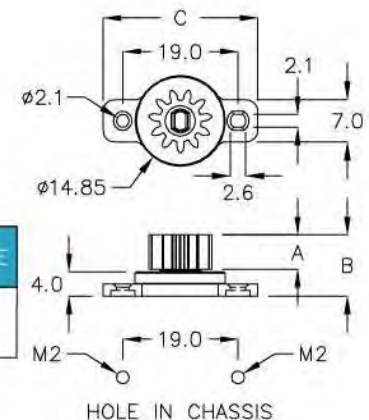
TORQUE VALVE CAN BE CUSTOMIZED PER CUSTOMERS' DEMAND



塑膠阻尼器 ROTARY DAMPER

1-17-3

- MATERIAL: PC(UL)
- FLAME CLASS: 94V-2
- MATERIAL: POM
- FLAME CLASS: 94HB
- COLOR: BLACK



PART NO	PITCH DIAMETER	MODULE	TOOTH NUMBER	PRESSURE ANGLE	A	B	C	TORQUE (gf-cm)	PACKAGE
PG-13DF	ø8.8	0.8	11	20°	5.6	10.0	24.0	40~280	500
PG-13HJ	ø8.8	0.8	11	20°	5.6	10.0	25.5		

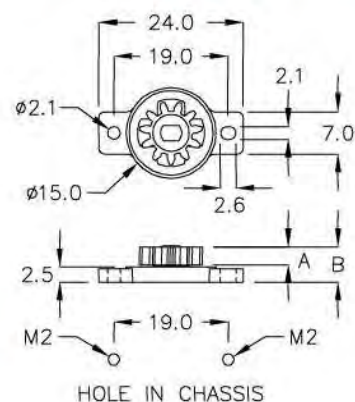
TORQUE VALVE CAN BE CUSTOMIZED PER CUSTOMERS' DEMAND



塑膠阻尼器 ROTARY DAMPER

1-18-1

- MATERIAL: PC(UL)
- FLAME CLASS: 94V-2
- MATERIAL: POM
- FLAME CLASS: 94HB
- COLOR: BLACK



PART NO	PITCH DIAMETER	MODULE	TOOTH NUMBER	PRESSURE ANGLE	A	B	TORQUE (gf-cm)	PACKAGE
PG-13PC	ø8.8	0.8	11	20°	3.0	6.15	45~155	500
PG-13PL	ø10.4	0.8	13	20°	3.0	6.15		

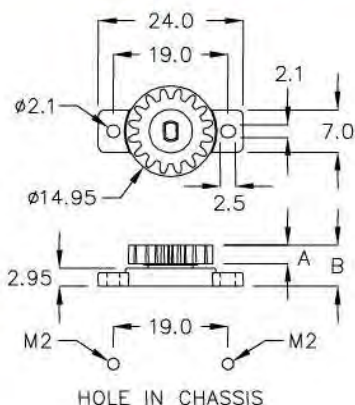
TORQUE VALVE CAN BE CUSTOMIZED PER CUSTOMERS' DEMAND



塑膠阻尼器 ROTARY DAMPER

1-18-2

- MATERIAL: PC(UL)
- FLAME CLASS: 94V-2
- MATERIAL: POM
- FLAME CLASS: 94HB
- COLOR: BLACK



PART NO	PITCH DIAMETER	MODULE	TOOTH NUMBER	PRESSURE ANGLE	A	B	TORQUE (gf-cm)	PACKAGE
PG-21	ø12.8	0.8	16	20°	3.0	6.8	12,25	500

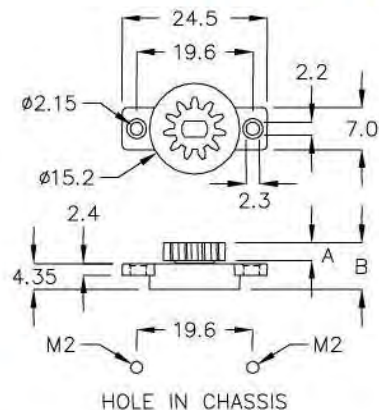
TORQUE VALVE CAN BE CUSTOMIZED PER CUSTOMERS' DEMAND



塑膠阻尼器 ROTARY DAMPER

1-18-3

- MATERIAL: ABS(UL)
- FLAME CLASS: 94HB
- MATERIAL: POM
- FLAME CLASS: 94HB
- COLOR: BLACK



PART NO	PITCH DIAMETER	MODULE	TOOTH NUMBER	PRESSURE ANGLE	A	B	TORQUE (gf-cm)	PACKAGE
PG-8CS	ø8.8	0.8	11	20°	3.0	7.85	15,45 100,130	500
PG-8FS	ø10.4	0.8	13	20°	3.0	7.85		

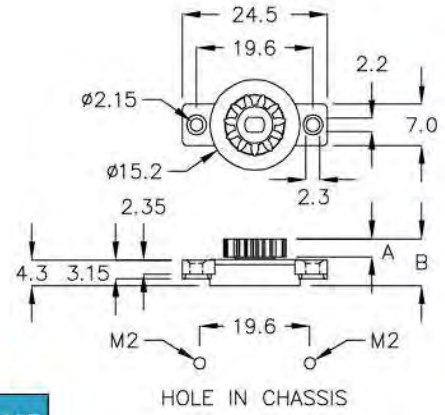
TORQUE VALVE CAN BE CUSTOMIZED PER CUSTOMERS' DEMAND



塑膠阻尼器 ROTARY DAMPER

1-19-1

- MATERIAL: PC(UL)
- FLAME CLASS: 94V-2
- MATERIAL: POM
- FLAME CLASS: 94HB
- COLOR: BLACK



PART NO	PITCH DIAMETER	MODULE	TOOTH NUMBER	PRESSURE ANGLE	A	B	TORQUE (gf-cm)	PACKAGE
PG-08H	ø8.8	0.8	11	20°	3.0	7.8	60,110,190	500

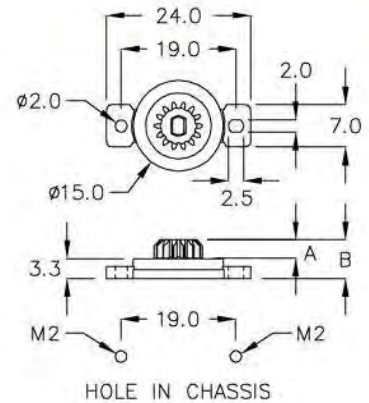
TORQUE VALVE CAN BE CUSTOMIZED PER CUSTOMERS' DEMAND



塑膠阻尼器 ROTARY DAMPER

1-19-2

- MATERIAL: PC(UL)
- FLAME CLASS: 94V-2
- MATERIAL: POM
- FLAME CLASS: 94HB
- COLOR: GRAY



PART NO	PITCH DIAMETER	MODULE	TOOTH NUMBER	PRESSURE ANGLE	A	B	TORQUE (gf-cm)	PACKAGE
PG-15	ø7.0	0.5	14	20°	3.0	6.4	25~110	500

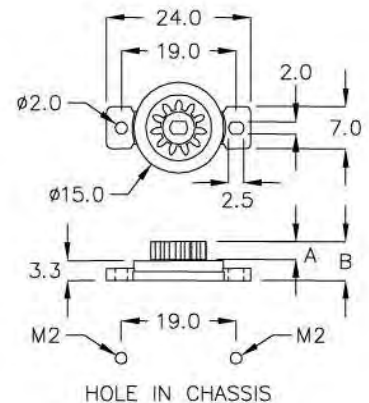
TORQUE VALVE CAN BE CUSTOMIZED PER CUSTOMERS' DEMAND



塑膠阻尼器 ROTARY DAMPER

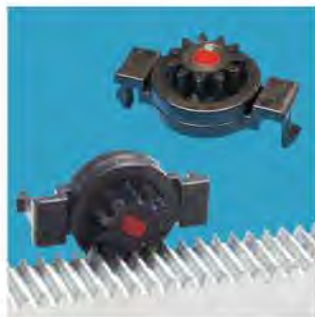
1-19-3

- MATERIAL: PC(UL)
- FLAME CLASS: 94V-2
- MATERIAL: POM
- FLAME CLASS: 94HB
- COLOR: GRAY



PART NO	PITCH DIAMETER	MODULE	TOOTH NUMBER	PRESSURE ANGLE	A	B	TORQUE (gf-cm)	PACKAGE
PG-15A	ø8.8	0.8	11	20°	3.0	6.4	25~110	500

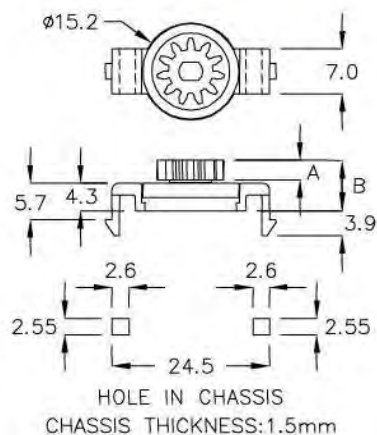
TORQUE VALVE CAN BE CUSTOMIZED PER CUSTOMERS' DEMAND



塑膠阻尼器 ROTARY DAMPER

1-20-1

- MATERIAL: ABS(UL)
- FLAME CLASS: 94HB
- MATERIAL: POM
- FLAME CLASS: 94HB
- COLOR: BLACK



PART NO	PITCH DIAMETER	MODULE	TOOTH NUMBER	PRESSURE ANGLE	A	B	TORQUE (gf-cm)	PACKAGE
PG-8AS	ø8.8	0.8	11	20°	3.0	8.0	15,45	500
PG-8MS	ø10.4	0.8	13	20°	3.0	8.0	100,130	

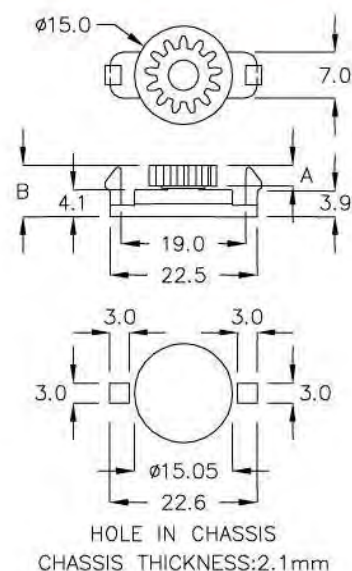
TORQUE VALVE CAN BE CUSTOMIZED PER CUSTOMERS' DEMAND



塑膠阻尼器 ROTARY DAMPER

1-20-2

- MATERIAL: ABS(UL)
- FLAME CLASS: 94HB
- MATERIAL: POM
- FLAME CLASS: 94HB
- COLOR: BLACK



PART NO	PITCH DIAMETER	MODULE	TOOTH NUMBER	PRESSURE ANGLE	A	B	TORQUE (gf-cm)	PACKAGE
PG-8LS	ø8.8	0.8	11	20°	3.0	7.6	15,45	500
PG-8DS	ø10.4	0.8	13	20°	3.0	7.6	100,130	

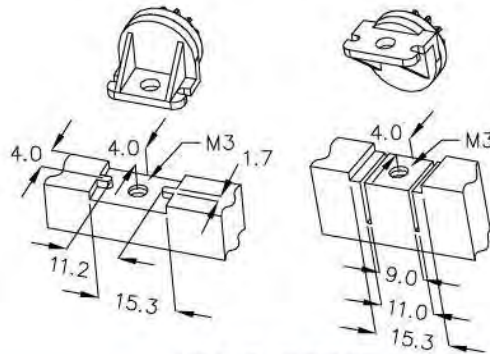
TORQUE VALVE CAN BE CUSTOMIZED PER CUSTOMERS' DEMAND



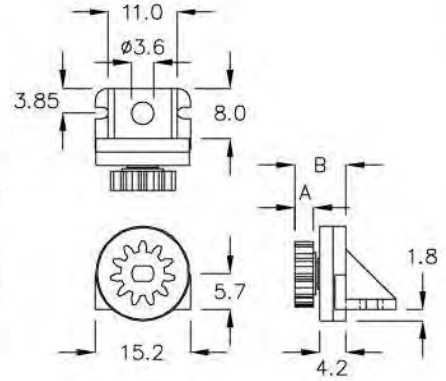
塑膠阻尼器 ROTARY DAMPER

1-21-1

- MATERIAL: ABS(UL)
- FLAME CLASS: 94HB
- MATERIAL: POM
- FLAME CLASS: 94HB
- COLOR: BLACK



HOLE IN CHASSIS



PART NO	PITCH DIAMETER	MODULE	TOOTH NUMBER	PRESSURE ANGLE	A	B	TORQUE (gf-cm)	PACKAGE
PG-5AS	$\phi 8.8$	0.8	11	20°	3.0	7.6	15	500
PG-5MS	$\phi 10.4$	0.8	13	20°	3.0	7.6		

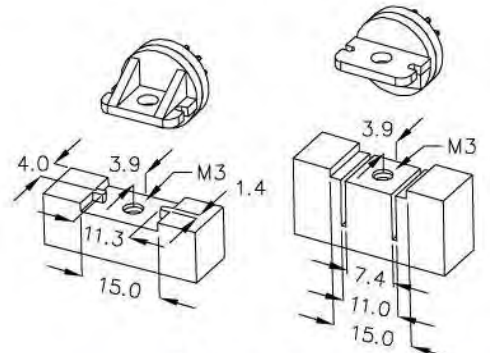
TORQUE VALVE CAN BE CUSTOMIZED PER CUSTOMERS' DEMAND



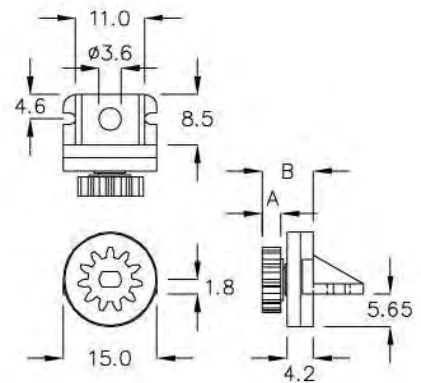
塑膠阻尼器 ROTARY DAMPER

1-21-2

- MATERIAL: ABS(UL)
- FLAME CLASS: 94HB
- MATERIAL: POM
- FLAME CLASS: 94HB
- COLOR: BLACK



HOLE IN CHASSIS



PART NO	PITCH DIAMETER	MODULE	TOOTH NUMBER	PRESSURE ANGLE	A	B	TORQUE (gf-cm)	PACKAGE
PG-5CS	$\phi 8.8$	0.8	11	20°	3.0	7.6	15,45	500
PG-5LS	$\phi 10.4$	0.8	13	20°	3.0	7.6	100,130	

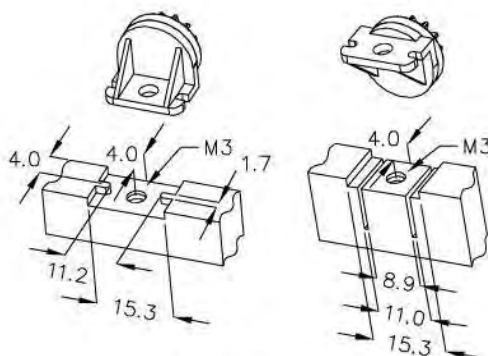
TORQUE VALVE CAN BE CUSTOMIZED PER CUSTOMERS' DEMAND



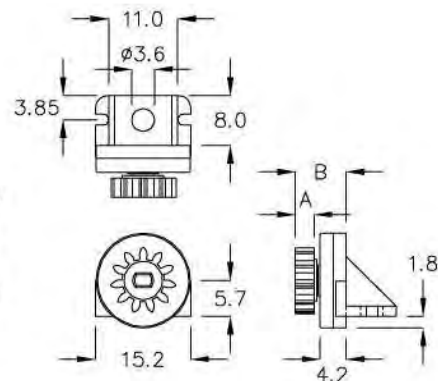
塑膠阻尼器 ROTARY DAMPER

1-22-1

- MATERIAL: PC(UL)
- FLAME CLASS: 94V-2
- MATERIAL: POM
- FLAME CLASS: 94HB
- COLOR: BLACK



HOLE IN CHASSIS



PART NO	PITCH DIAMETER	MODULE	TOOTH NUMBER	PRESSURE ANGLE	A	B	TORQUE (gf-cm)	PACKAGE
PG-12	ø8.8	0.8	11	20°	3.0	7.6	45,70,100,130	500
PG-12M	ø10.4	0.8	13	20°	3.0	7.6	150,200,230,270	

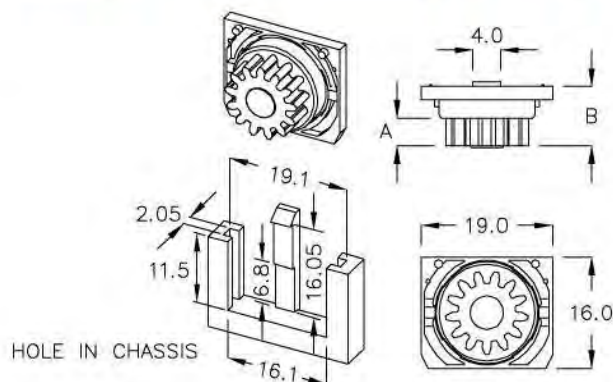
TORQUE VALVE CAN BE CUSTOMIZED PER CUSTOMERS' DEMAND



塑膠阻尼器 ROTARY DAMPER

1-22-2

- MATERIAL: ABS(UL)
- FLAME CLASS: 94HB
- MATERIAL: POM
- FLAME CLASS: 94HB
- COLOR: BLACK



HOLE IN CHASSIS

PART NO	PITCH DIAMETER	MODULE	TOOTH NUMBER	PRESSURE ANGLE	A	B	TORQUE (gf-cm)	PACKAGE
PG-06A	ø10.4	0.8	13	20°	4.0	8.9	45,85	500

TORQUE VALVE CAN BE CUSTOMIZED PER CUSTOMERS' DEMAND

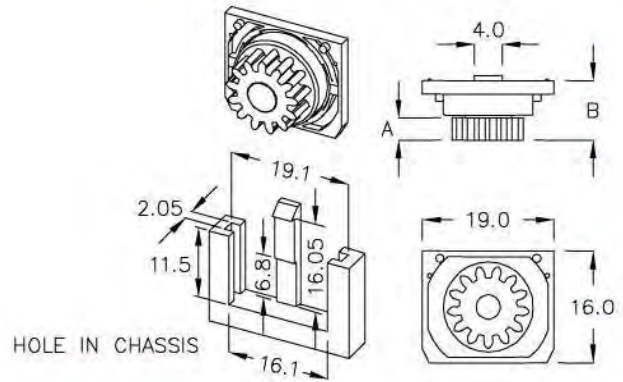
INSTALLATION: IS JAMED BY THE CLIP



塑膠阻尼器 ROTARY DAMPER

1-23-1

- MATERIAL: ABS(UL)
- FLAME CLASS: 94HB
- MATERIAL: POM
- FLAME CLASS: 94HB
- COLOR: BLACK



PART NO	PITCH DIAMETER	MODULE	TOOTH NUMBER	PRESSURE ANGLE	A	B	TORQUE (gf-cm)	PACKAGE
PG-06C	∅10.4	0.8	13	20°	3.2	8.55	25,37,65	500

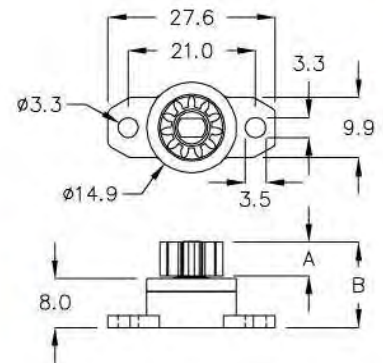
TORQUE VALVE CAN BE CUSTOMIZED PER CUSTOMERS' DEMAND
 INSTALLATION: IS JAMED BY THE CLIP



塑膠阻尼器 ROTARY DAMPER

1-23-2

- MATERIAL: PC(UL)
- FLAME CLASS: 94V-2
- MATERIAL: POM
- FLAME CLASS: 94HB
- COLOR: BLACK



PART NO	PITCH DIAMETER	MODULE	TOOTH NUMBER	PRESSURE ANGLE	A	B	TORQUE (gf-cm)	PACKAGE
PG-16D	∅8.8	0.8	11	20°	5.5	14.0	60~500	500

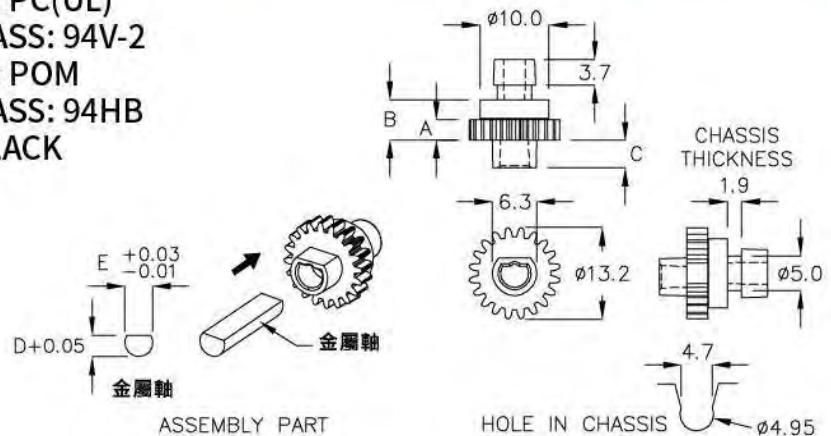
TORQUE VALVE CAN BE CUSTOMIZED PER CUSTOMERS' DEMAND



塑膠阻尼器 ROTARY DAMPER

1-23-3

- MATERIAL: PC(UL)
- FLAME CLASS: 94V-2
- MATERIAL: POM
- FLAME CLASS: 94HB
- COLOR: BLACK



PART NO	PITCH DIAMETER	MODULE	TOOTH NUMBER	PRESSURE ANGLE	A	B	C	D	E	TORQUE (gf-cm)	PACKAGE
PG-17	∅12.0	0.6	20	20°	3.0	6.2	4.0	3.05	∅4.05	13	500
PG-18	∅12.0	0.6	20	20°	3.0	7.2	3.0	3.7	∅4.7	25	

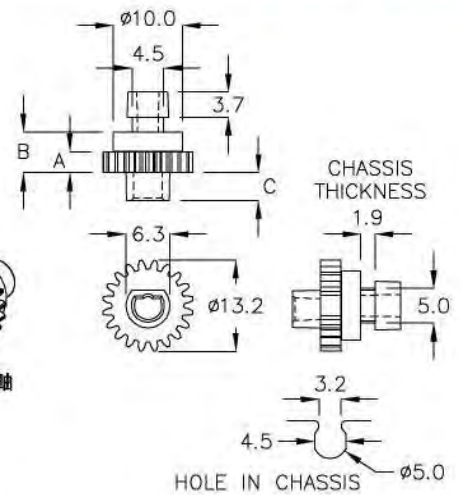
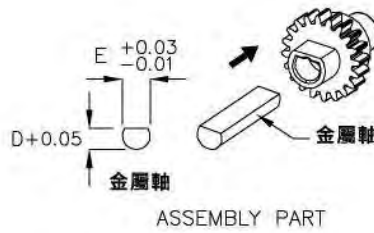
TORQUE VALVE CAN BE CUSTOMIZED PER CUSTOMERS' DEMAND



塑膠阻尼器 ROTARY DAMPER

1-24-1

- MATERIAL: PC(UL)
- FLAME CLASS: 94V-2
- MATERIAL: POM
- FLAME CLASS: 94HB
- COLOR: BLACK



PART NO	PITCH DIAMETER	MODULE	TOOTH NUMBER	PRESSURE ANGLE	A	B	C	D	E	TORQUE (gf-cm)	PACKAGE
PG-17MD	12.0	0.6	20	20°	3.0	6.2	4.0	3.05	4.05	13	500

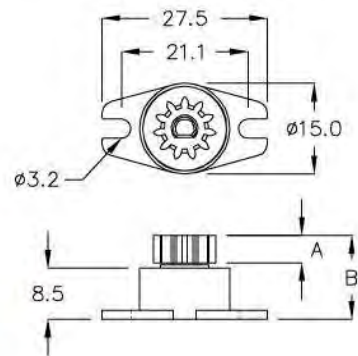
TORQUE VALVE CAN BE CUSTOMIZED PER CUSTOMERS' DEMAND



塑膠阻尼器 ROTARY DAMPER

1-24-2

- MATERIAL: PC(UL)
- FLAME CLASS: 94V-2
- MATERIAL: POM
- FLAME CLASS: 94HB
- COLOR: BLACK



PART NO	PITCH DIAMETER	MODULE	TOOTH NUMBER	PRESSURE ANGLE	A	B	TORQUE (gf-cm)	PACKAGE
PG-22	8.8	0.8	11	20°	4.5	13.85	220	500

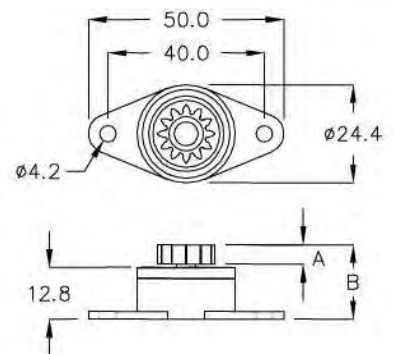
TORQUE VALVE CAN BE CUSTOMIZED PER CUSTOMERS' DEMAND



塑膠阻尼器 ROTARY DAMPER

1-24-3

- MATERIAL: PC(UL)
- FLAME CLASS: 94V-2
- MATERIAL: POM
- FLAME CLASS: 94HB
- COLOR: BLACK



PART NO	PITCH DIAMETER	MODULE	TOOTH NUMBER	PRESSURE ANGLE	A	B	TORQUE (gf-cm)	PACKAGE
PG-20	12.0	1.0	12	20°	5.0	18.2	500	64

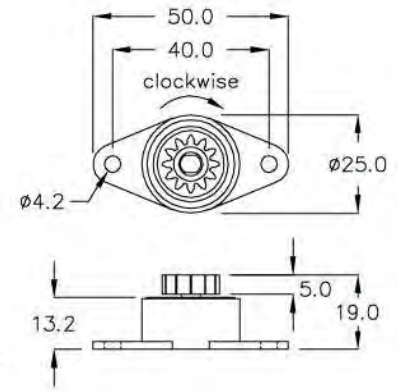
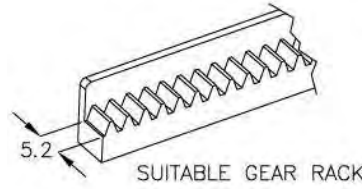
TORQUE VALVE CAN BE CUSTOMIZED PER CUSTOMERS' DEMAND



塑膠阻尼器 ROTARY DAMPER

1-25-1

- MATERIAL: PC(UL)
- FLAME CLASS: 94V-2
- MATERIAL: POM
- FLAME CLASS: 94HB
- COLOR: BLACK



PART NO	PITCH DIAMETER	MODULE	TOOTH NUMBER	PRESSURE ANGLE	TORQUE(gf-cm)		PACKAGE
					withershin	clockwise	
PG-30-600	∅12.0	1.0	12	20°	600	100	64
PG-30-1400	∅12.0	1.0	12	20°	1400	100	

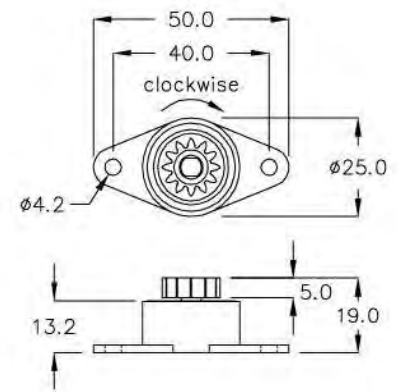
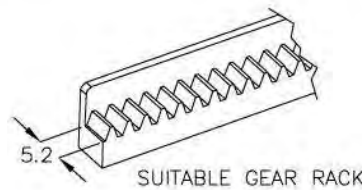
TORQUE VALVE CAN BE CUSTOMIZED PER CUSTOMERS' DEMAND



塑膠阻尼器 ROTARY DAMPER

1-25-2

- MATERIAL: PC(UL)
- FLAME CLASS: 94V-2
- MATERIAL: POM
- FLAME CLASS: 94HB
- COLOR: BLACK



PART NO	PITCH DIAMETER	MODULE	TOOTH NUMBER	PRESSURE ANGLE	TORQUE(gf-cm)		TYPE OF GEARS	PACKAGE
					withershin	clockwise		
PG-50-600	∅12.0	1.0	12	20°	600	100	SPUR GEARS	64
PG-50-1400	∅12.0	1.0	12	20°	1400	100	GEARS	

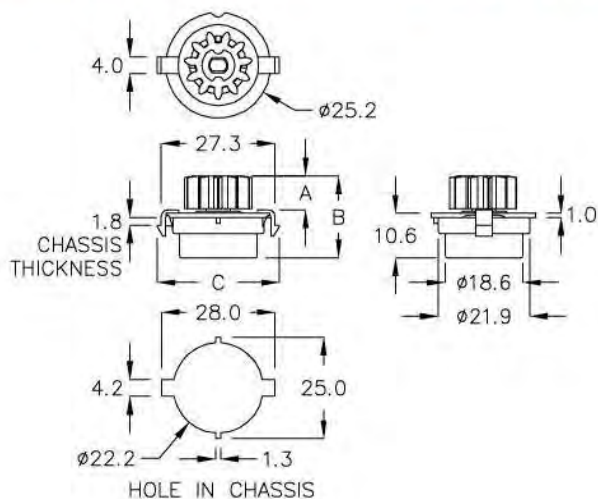
TORQUE VALVE CAN BE CUSTOMIZED PER CUSTOMERS' DEMAND



塑膠阻尼器 ROTARY DAMPER

1-26-1

- MATERIAL: PC(UL)
- FLAME CLASS: 94V-2
- MATERIAL: POM
- FLAME CLASS: 94HB
- COLOR: BLACK



PART NO	PITCH DIAMETER	MODULE	TOOTH NUMBER	PRESSURE ANGLE	A	B	C	TORQUE (gf-cm)	PACKAGE
PG-27	ø13.75	1.25	11	20°	7.9	19.5	29.3	100	200

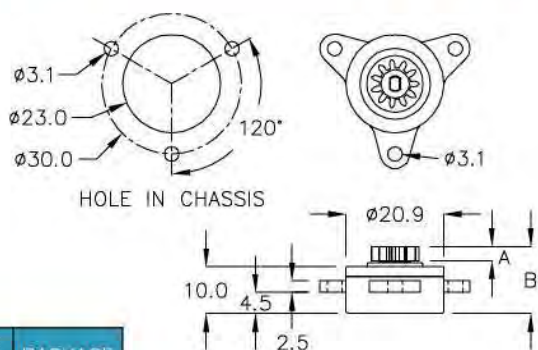
TORQUE VALVE CAN BE CUSTOMIZED PER CUSTOMERS' DEMAND



塑膠阻尼器 ROTARY DAMPER

1-26-2

- MATERIAL: PC(UL)
- FLAME CLASS: 94V-2
- MATERIAL: POM
- FLAME CLASS: 94HB
- COLOR: BLACK



PART NO	PITCH DIAMETER	MODULE	TOOTH NUMBER	PRESSURE ANGLE	A	B	TORQUE (gf-cm)	PACKAGE
PG-40	ø8.8	0.8	11	20°	3.0	14.3	400	200

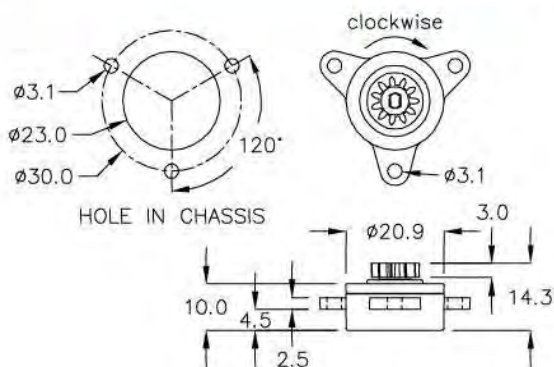
TORQUE VALVE CAN BE CUSTOMIZED PER CUSTOMERS' DEMAND



塑膠阻尼器 ROTARY DAMPER

1-26-3

- MATERIAL: PC(UL)
- FLAME CLASS: 94V-2
- MATERIAL: POM
- FLAME CLASS: 94HB
- COLOR: BLACK



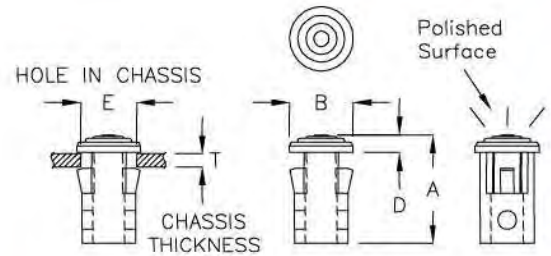
PART NO	PITCH DIAMETER	MODULE	TOOTH NUMBER	PRESSURE ANGLE	TORQUE(gf-cm)		PACKAGE
					withershin	clockwise	
PG-45-380	ø8.8	0.8	11	20°	380	140	200
PG-45-700	ø8.8	0.8	11	20°	700	200	

TORQUE VALVE CAN BE CUSTOMIZED PER CUSTOMERS' DEMAND



導光罩 LIGHT TRANSPORTER ————— | 1-27-1 |

- MATERIAL: PC(UL)
- FLAME CLASS: 94V-2
- COLOR: CLEAR



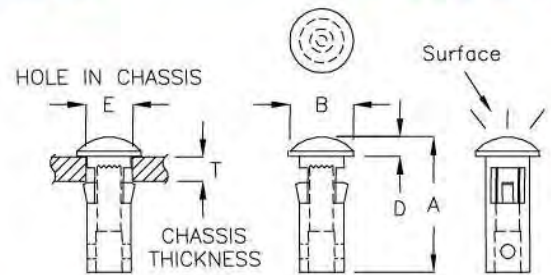
搭配 $\phi 2$ 導光光纖使用

PART NO	A	B	D	E HOLE IN CHASSIS	T CHASSIS THICKNESS	SUITABLE FIBER DIAMETER	PACKAGE
EDN-03	6.9	$\phi 4.1$	1.1	$\phi 3.5$	1.0	$\phi 2.0$	1000



導光罩 LIGHT TRANSPORTER ————— | 1-27-2 |

- MATERIAL: PC(UL)
- FLAME CLASS: 94V-2
- COLOR: CLEAR



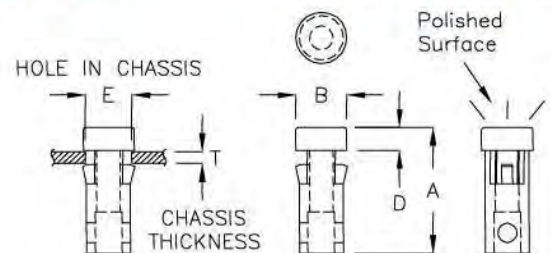
搭配 $\phi 2$ 、 $\phi 3$ 導光光纖使用

PART NO	Surface	A	B	D	E HOLE IN CHASSIS	T CHASSIS THICKNESS	SUITABLE FIBER DIAMETER	PACKAGE
EDN-3C	Matt	11.6	$\phi 5.0$	1.5	$\phi 3.55$	3.0	$\phi 2.0$	1000
EDN-5A	Polished	6.9	$\phi 5.1$	1.1	$\phi 4.5$	1.0	$\phi 3.0$	



導光罩 LIGHT TRANSPORTER ————— | 1-27-3 |

- MATERIAL: PC(UL)
- FLAME CLASS: 94V-2
- COLOR: CLEAR



搭配 $\phi 2$ 導光光纖使用

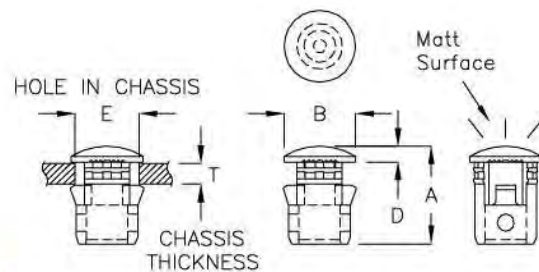
PART NO	A	B	D	E HOLE IN CHASSIS	T CHASSIS THICKNESS	SUITABLE FIBER DIAMETER	PACKAGE
EDN-3K	9.8	$\phi 4.0$	1.8	$\phi 3.5$	1.0	$\phi 2.0$	1000



導光罩 LIGHT TRANSPORTER

1-28-1

- MATERIAL: PC(UL)
- FLAME CLASS: 94V-2
- COLOR: CLEAR



搭配 $\phi 3$ 導光光纖使用

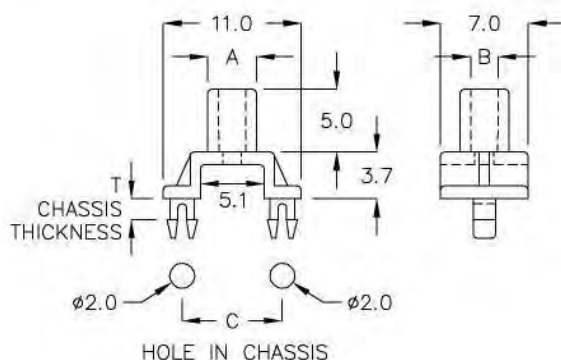
PART NO	A	B	D	E	T	SUITABLE FIBER DIAMETER	PACKAGE
EDN-5SP	$\phi 6.9$	$\phi 5.1$	1.1	$\phi 4.5$	1.6	$\phi 3.0$	1000



SMD 座 SMD HOUSING

1-28-2

- MATERIAL: NYLON 66(UL)
- FLAME CLASS: 94V-2
- COLOR: BLACK



搭配 $\phi 2$ 、 $\phi 3$ 導光光纖使用

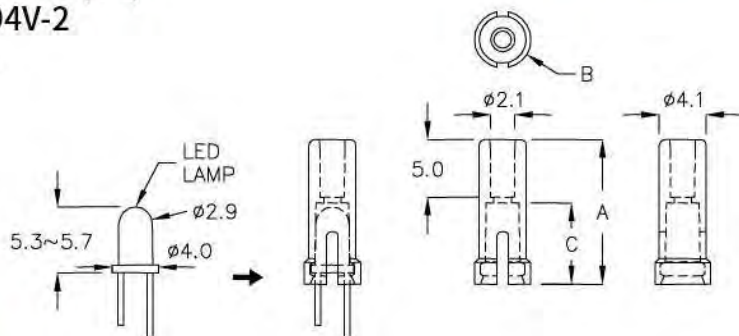
FOR SMD LED						
PART NO	A	B	C	T	SUITABLE FIBER DIAMETER	PACKAGE
EDZ-01	$\phi 3.9$	$\phi 2.2$	8.0	1.6	$\phi 2.0$	1000
EDZ-2F	$\phi 4.7$	$\phi 3.0$	8.0	1.6	$\phi 3.0$	



LED 座 LED HOUSING

1-28-3

- MATERIAL: NYLON 66(UL)
- FLAME CLASS: 94V-2
- COLOR: BLACK



搭配 $\phi 2$ 導光光纖使用

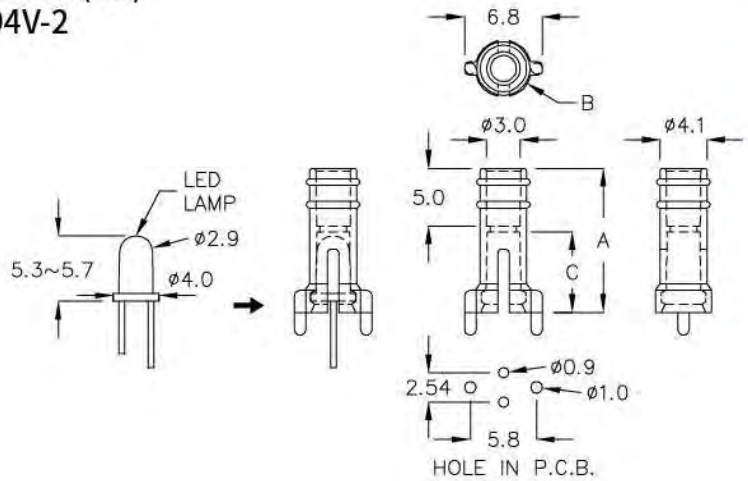
FOR $\phi 3$ 2PIN LED					
PART NO	A	B	C	SUITABLE FIBER DIAMETER	PACKAGE
EDZ-3A	12.5	$\phi 4.9$	7.0	$\phi 2.0$	1000



LED 座 LED HOUSING

1-29-1

- MATERIAL: NYLON 66(UL)
- FLAME CLASS: 94V-2
- COLOR: BLACK



搭配 $\phi 3$ 導光光纖使用

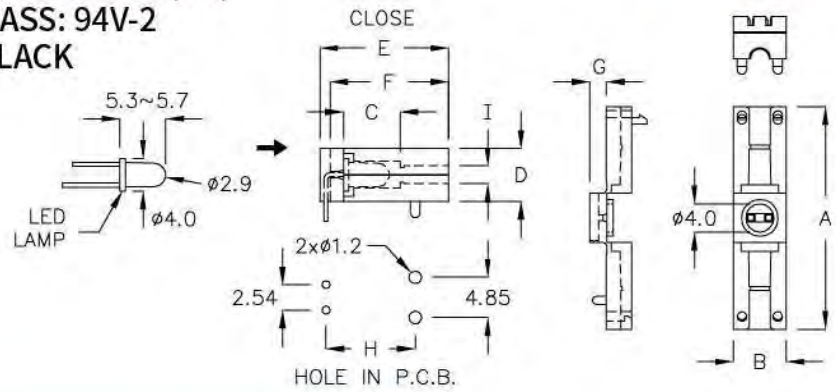
FOR $\phi 3$ 2PIN LED					
PART NO	A	B	C	SUITABLE FIBER DIAMETER	PACKAGE
EDZ-2A	12.5	$\phi 4.9$	7.0	$\phi 3.0$	1000



LED 座 LED HOUSING

1-29-2

- MATERIAL: NYLON 66(UL)
- FLAME CLASS: 94V-2
- COLOR: BLACK



搭配 $\phi 2$ 、 $\phi 3$ 導光光纖使用

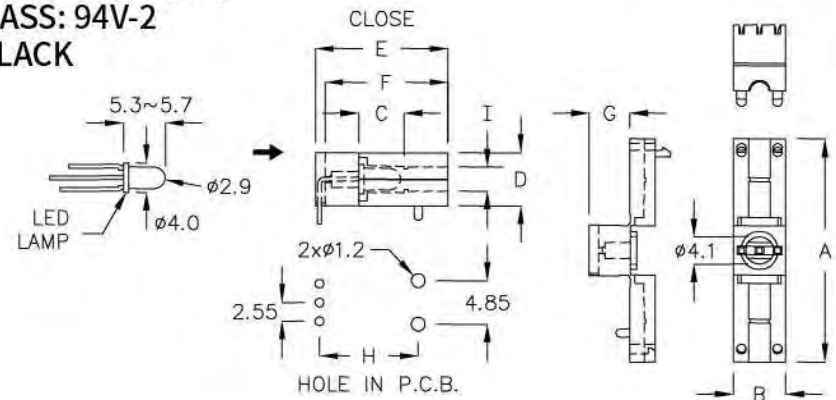
FOR $\phi 3$ 2PIN LED											
PART NO	A	B	C	D	E	F	G	H	I	FIBER DIAMETER	PACKAGE
EDZ-03	32.8	6.0	7.0	7.0	15.9	14.6	2.9	11.05	2.2	$\phi 2.0$	500
EDZ-2C	31.6	7.5	6.0	7.2	14.8	13.5	2.4	10.05	3.0	$\phi 3.0$	



LED 座 LED HOUSING

1-29-3

- MATERIAL: NYLON 66(UL)
- FLAME CLASS: 94V-2
- COLOR: BLACK



搭配 $\phi 3$ 導光光纖使用

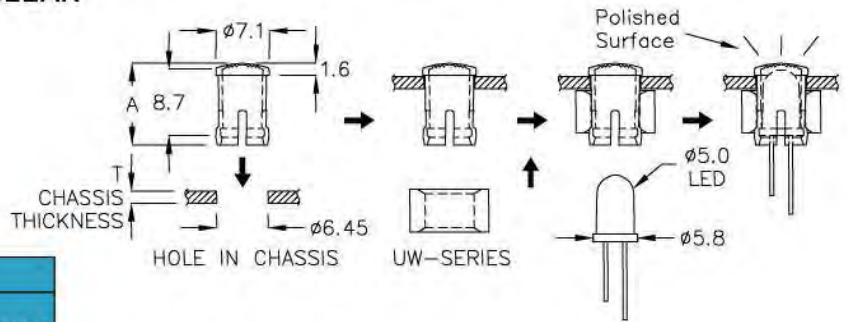
FOR $\phi 3$ 3PIN LED											
PART NO	A	B	C	D	E	F	G	H	I	FIBER DIAMETER	PACKAGE
EDZ-04	31.5	7.5	6.0	7.2	18.15	16.9	5.8	13.5	3.05	$\phi 3.0$	500



LED 導光罩 LED CAP

1-30-1

- MATERIAL: PC(UL)
- FLAME CLASS: 94V-2
- COLOR: CLEAR



FOR ø5 2PIN LED				
PART NO	A	T CHASSIS THICKNESS	SUITABLE HOLDER	PACKAGE
EDK-01	10.8	0.8	UW-07C	1000
		1.0	UW-07A	
		1.2	UW-06C	
		1.6	UW-06A	
		2.0	UW-05C	
		2.5	UW-05A	
		3.0	UW-04C	
		6.7		

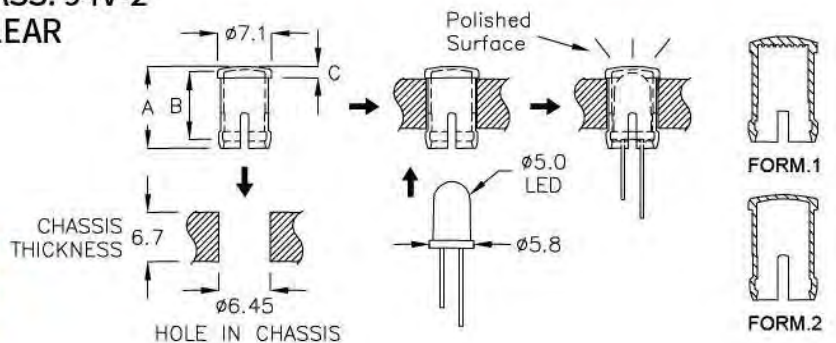
ALSO CAN ASSEMBLE WITH UW-SERIES (Page 1-30-3)



LED 導光罩 LED CAP

1-30-2

- MATERIAL: PC(UL)
- FLAME CLASS: 94V-2
- COLOR: CLEAR



FOR ø5 2PIN LED					
PART NO	A	B	C	FORM	PACKAGE
EDK-1C	10.9	8.5	1.7	1	1000
EDK-1TP	10.8	8.9	1.55	2	

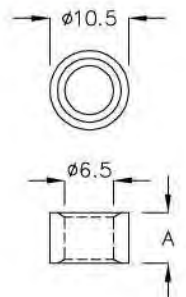


固定座 LAMP HOLDER

1-30-3

- MATERIAL: NYLON 66(UL)
- FLAME CLASS: 94V-2
- COLOR: BLACK

PART NO	A	PACKAGE
UW-04C	4.5	2000
UW-05A	5.0	
UW-05C	5.5	
UW-06A	5.9	1000
UW-06C	6.3	
UW-07A	6.5	
UW-07C	6.7	

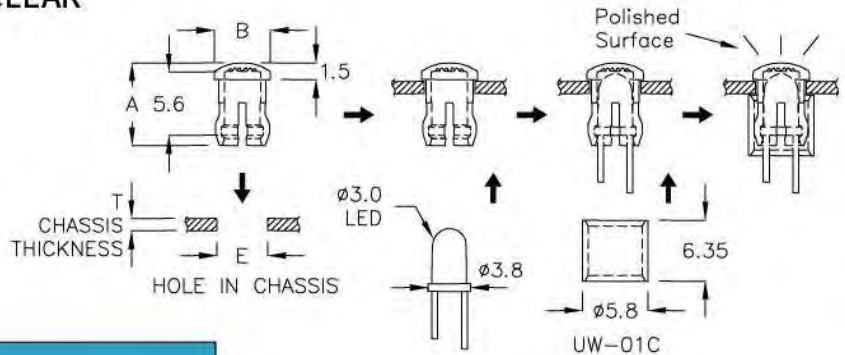


ALSO CAN ASSEMBLE WITH EDK-01 (Page 1-30-1)



LED 導光罩 LED CAP | 1-31-1 |

- MATERIAL: PC(UL)
- FLAME CLASS: 94V-2
- COLOR: CLEAR



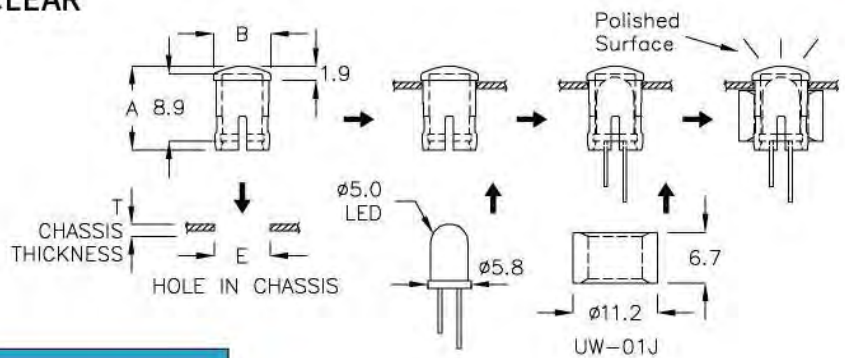
FOR ø3 2PIN LED						
PART NO.	A	B	E HOLE IN CHASSIS	T CHASSIS THICKNESS	SUITABLE HOLDER	PACKAGE
EDK-02	7.3	ø5.0	ø4.3	0.8~2.8	UW-01C	1000

ALSO CAN ASSEMBLE WITH UW-SERIES (Page 13-22-2)



LED 導光罩 LED CAP | 1-31-2 |

- MATERIAL: PC(UL)
- FLAME CLASS: 94V-2
- COLOR: CLEAR



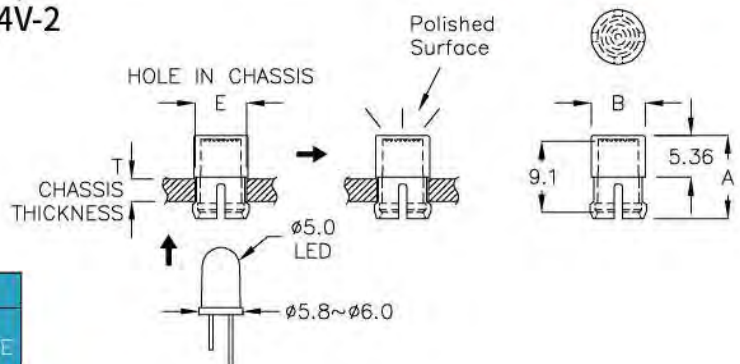
FOR ø5 2PIN LED						
PART NO.	A	B	E HOLE IN CHASSIS	T CHASSIS THICKNESS	SUITABLE HOLDER	PACKAGE
EDK-03	11.1	ø7.6	ø7.2	0.8	UW-01J	1000

ALSO CAN ASSEMBLE WITH UW-SERIES (Page 13-22-2)



LED 導光罩 LED CAP | 1-31-3 |

- MATERIAL: PC(UL)
- FLAME CLASS: 94V-2
- COLOR: CLEAR



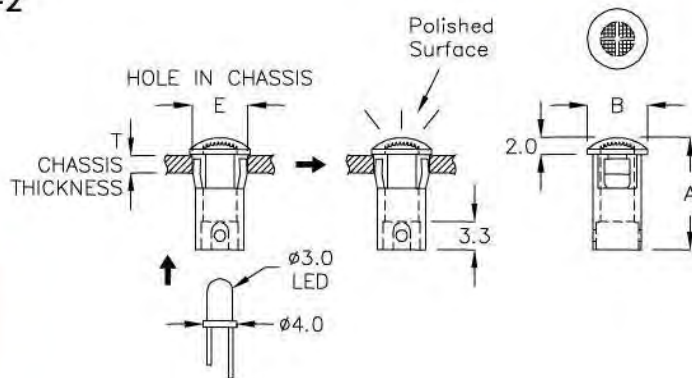
FOR ø5 2PIN LED					
PART NO.	A	B	E HOLE IN CHASSIS	T CHASSIS THICKNESS	PACKAGE
EDK-1A	10.9	ø7.15	ø6.4	3.2	1000



LED 導光罩 LED CAP

1-32-1

- MATERIAL: PC(UL)
- FLAME CLASS: 94V-2
- COLOR: CLEAR



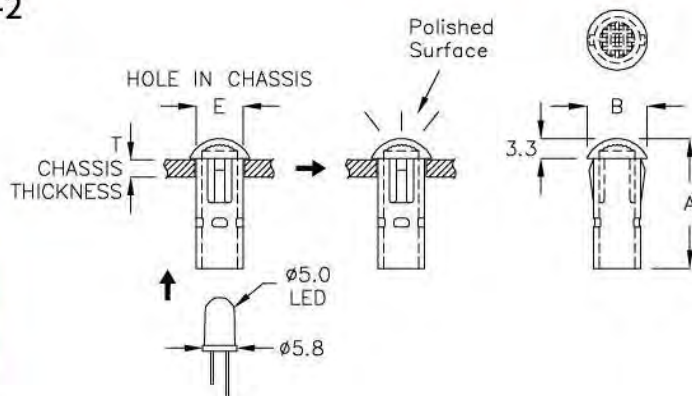
FOR $\phi 3$ 2PIN LED					
PART NO	A	B	E HOLE IN CHASSIS	T CHASSIS THICKNESS	PACKAGE
EDN-05	13.2	$\phi 7.1$	$\phi 6.0$	1.6~2.0	1000



LED 導光罩 LED CAP

1-32-2

- MATERIAL: PC(UL)
- FLAME CLASS: 94V-2
- COLOR: CLEAR



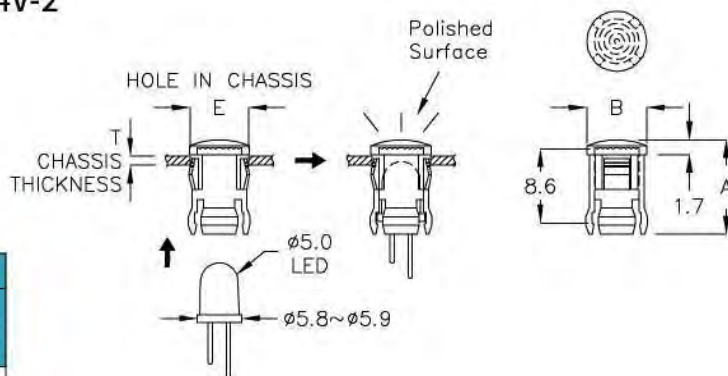
FOR $\phi 5$ 2PIN LED					
PART NO	A	B	E HOLE IN CHASSIS	T CHASSIS THICKNESS	PACKAGE
EDN-5C	24.2	$\phi 10.1$	$\phi 8.5$	2.0	500



LED 導光罩 LED CAP

1-32-3

- MATERIAL: PC(UL)
- FLAME CLASS: 94V-2
- COLOR: CLEAR



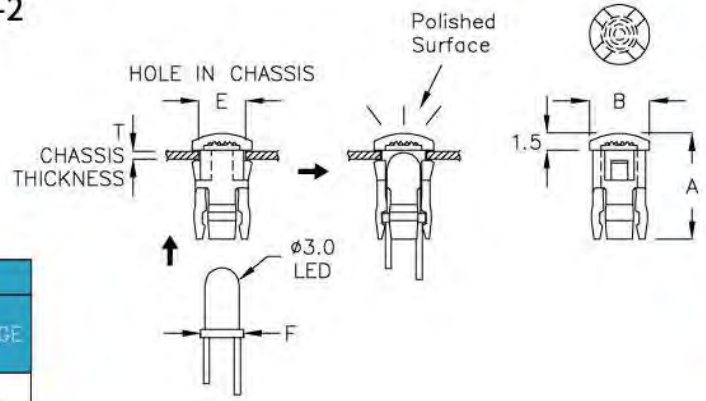
FOR $\phi 5$ 2PIN LED					
PART NO	A	B	E HOLE IN CHASSIS	T CHASSIS THICKNESS	PACKAGE
EDK-5A	10.9	$\phi 7.0$	$\phi 6.4$	0.8	1000



LED 導光罩 LED CAP

1-33-1

- MATERIAL: PC(UL)
- FLAME CLASS: 94V-2
- COLOR: CLEAR



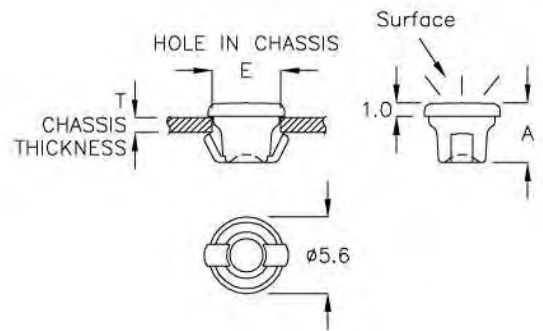
FOR $\phi 3$ 2PIN LED						
PART NO	A	B	E HOLE IN CHASSIS	F	T CHASSIS THICKNESS	PACKAGE
EDK-3F	9.1	$\phi 5.0$	$\phi 4.3$	$\phi 3.8$	1.1	1000
EDK-3HW	9.3	$\phi 5.3$	$\phi 4.8$	$\phi 3.9$	0.8	



導光柱 LIGHT PIPE

1-33-2

- MATERIAL: PC(UL)
- FLAME CLASS: 94V-2
- COLOR: CLEAR



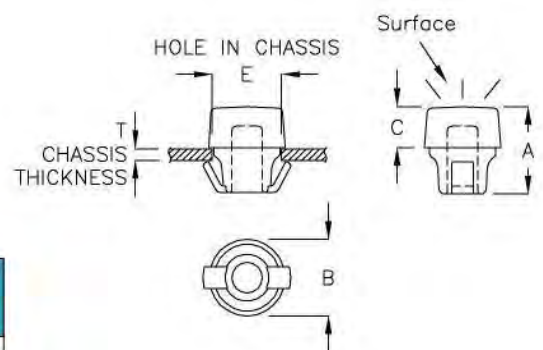
PART NO	Surface	A	E HOLE IN CHASSIS	T CHASSIS THICKNESS	PACKAGE
HHP-04	Polished	4.5	$\phi 5.0$	1.0	1000
HHP-4A	Polished	4.9	$\phi 5.0$	1.2	
HHP-4F	Polished	3.8	$\phi 5.0$	0.8	
HHP-4JP	Matt	3.8	$\phi 5.0$	0.8	



導光柱 LIGHT PIPE

1-33-3

- MATERIAL: PC(UL)
- FLAME CLASS: 94V-2
- COLOR: CLEAR



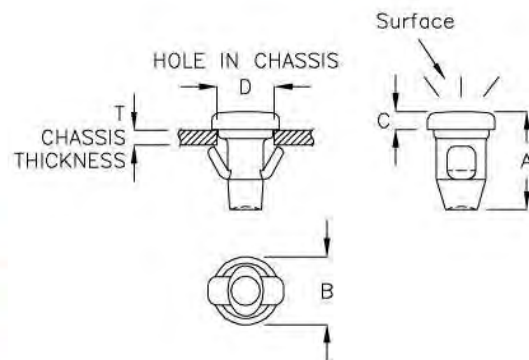
PART NO	SURFACE	A	B	C	E HOLE IN CHASSIS	T CHASSIS THICKNESS	PACKAGE
HHP-4C	Polished	6.4	$\phi 5.6$	3.0	$\phi 5.0$	0.8	1000
HHP-11JC	Matt	10.8	$\phi 10.0$	6.0	$\phi 8.5$	2.0	



導光柱 LIGHT PIPE

1-34-1

- MATERIAL: PC(UL)
- FLAME CLASS: 94V-2
- COLOR: CLEAR



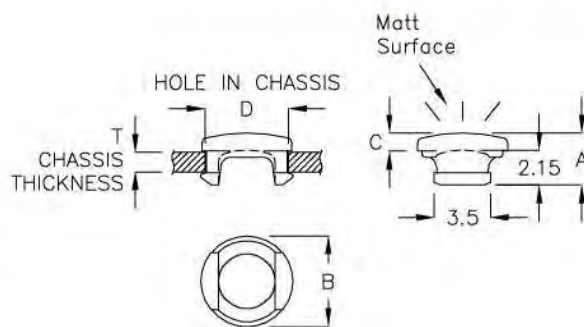
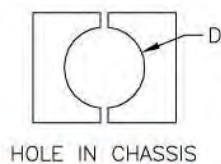
PART NO	Surface	A	B	C	D HOLE IN CHASSIS	T CHASSIS THICKNESS	PACKAGE
HHP-09	Polished	5.5	ø3.8	1.0	ø3.2	0.8	1000
HHP-9AC	Matt	9.0	ø5.0	0.5	ø4.3	0.8	
HHP-13F	Matt	13.9	ø5.0	0.5	ø4.3	0.8	



導光柱 LIGHT PIPE

1-34-2

- MATERIAL : PC(UL)
- COLOR : CLEAR



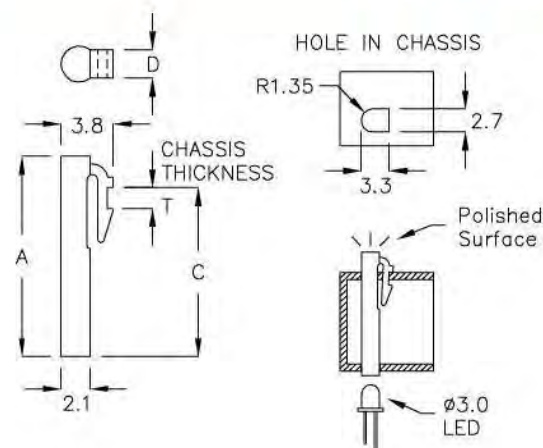
PART NO	A	B	C	D HOLE IN CHASSIS	T CHASSIS THICKNESS	PACKAGE
LDMD-5A	3.2	ø5.6	1.1	ø5.0	1.2	2000



導光柱 LIGHT PIPE

1-34-3

- MATERIAL: PC(UL)
- FLAME CLASS: 94V-2
- COLOR: CLEAR



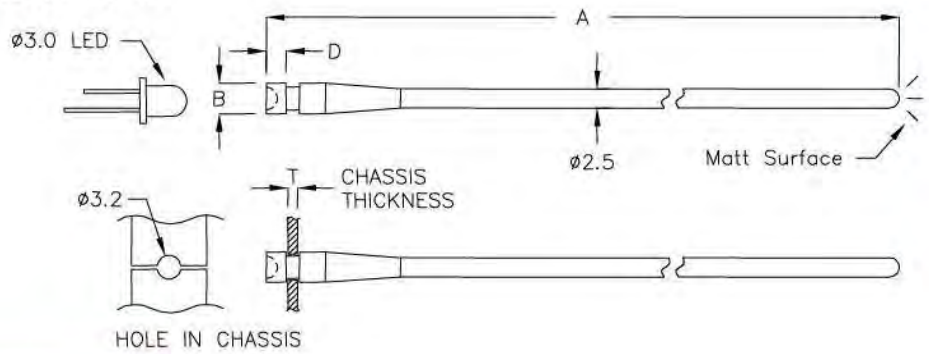
PART NO	A	C	D	T CHASSIS THICKNESS	PACKAGE
LEAD-14	14.4	12.15	2.05	1.2	2000



導光柱 LIGHT PIPE

1-35-1

- MATERIAL: PMMA
- FLAME CLASS: 94HB
- COLOR: CLEAR



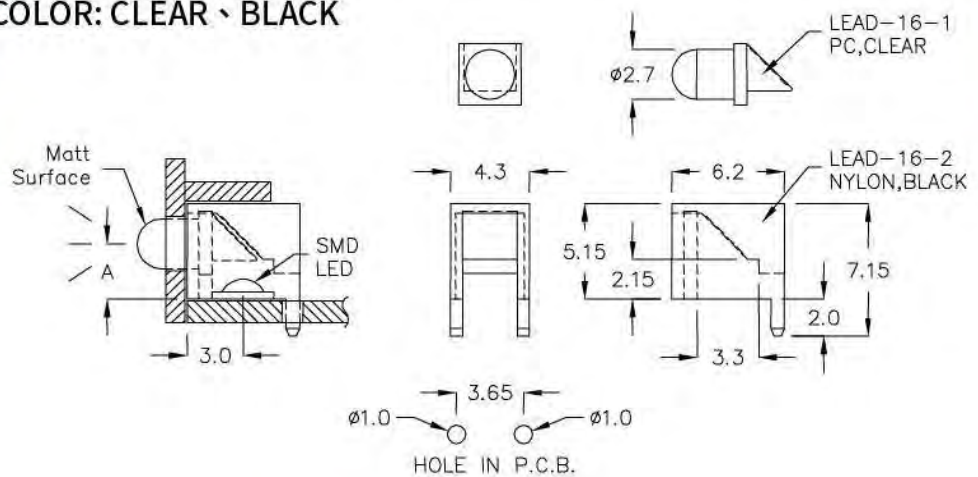
PART NO	A	B	D	T CHASSIS THICKNESS	PACKAGE
LEAD-15	223.2	$\phi 4.0$	2.7	1.5	100



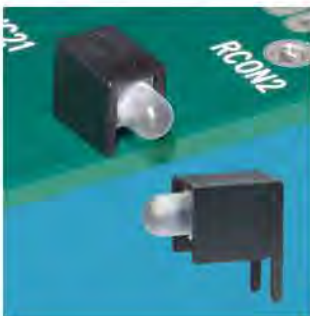
導光柱 LIGHT PIPE

1-35-2

- MATERIAL: PC、NYLON 66(UL)
- FLAME CLASS: 94V-0
- COLOR: CLEAR、BLACK



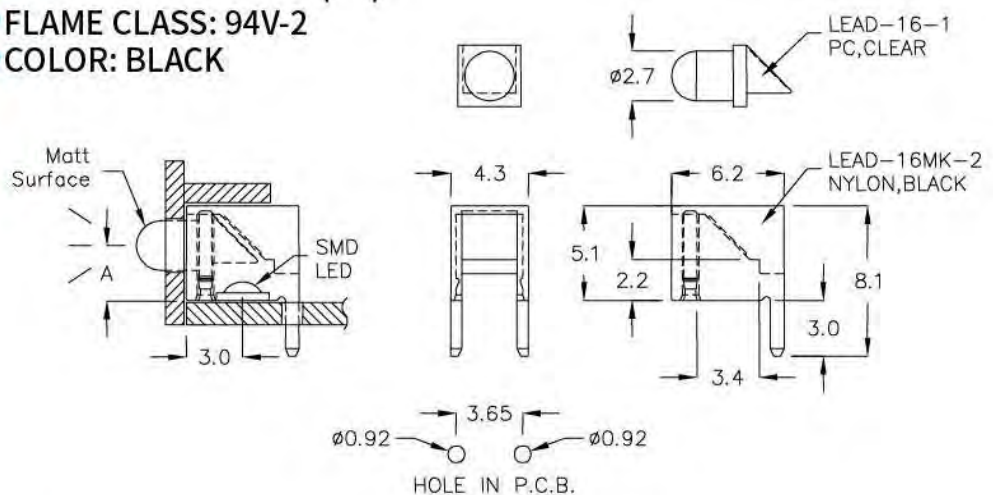
PART NO	A	PACKAGE
LEAD-16	3.0	1000



導光柱 LIGHT PIPE

1-35-3

- MATERIAL: PC(UL)
- FLAME CLASS: 94V-0
- COLOR: CLEAR
- MATERIAL: NYLON 66(UL)
- FLAME CLASS: 94V-2
- COLOR: BLACK



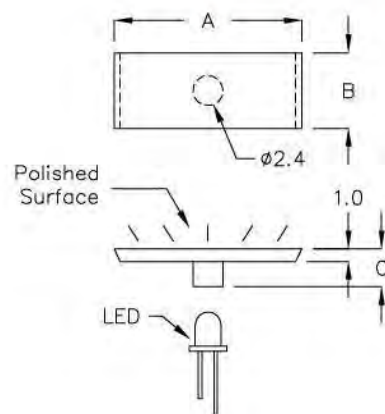
PART NO	A	PACKAGE
LEAD-16MK	3.0	1000



導光柱 LIGHT PIPE

1-36-1

- MATERIAL: PMMA
- COLOR: CLEAR



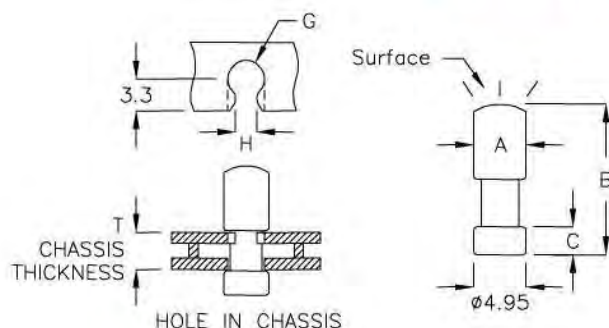
PART NO	A	B	C	PACKAGE
LEAD-17	15.0	6.0	3.0	1000



導光柱 LIGHT PIPE

1-36-2

- MATERIAL: PC(UL)
- FLAME CLASS: 94V-2
- COLOR: CLEAR



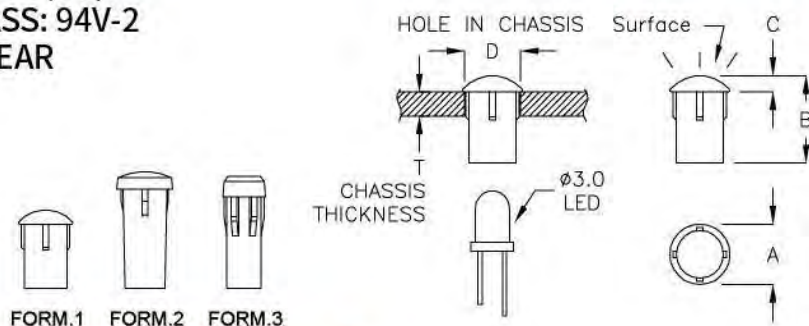
PART NO	A	B	C	G HOLE IN CHASSIS	H	T CHASSIS THICKNESS	Surface	PACKAGE
LEAD-20	$\phi 4.95$	14.1	2.62	$\phi 3.65$	3.45	4.2	Matt	2000
LEAD-20AC	$\phi 4.95$	15.8	2.65	$\phi 3.55$	3.35	4.3	Polished	



導光柱 LIGHT PIPE

1-36-3

- MATERIAL: PC(UL)
- FLAME CLASS: 94V-2
- COLOR: CLEAR



PART NO	A	B	C	D HOLE IN CHASSIS	T CHASSIS THICKNESS	SURFACE	FORM	PACKAGE
LEAD-3TM	$\phi 3.3$	3.95	0.76	$\phi 2.85$	>1.0	Matt	1	2000
LEAD-9HP	$\phi 3.3$	8.55	1.55	$\phi 2.95$	>1.8	Polished	3	
LEAD-18KT	$\phi 3.8$	5.5	1.0	$\phi 3.1$	>1.6	Polished	1	
LEAD-18	$\phi 3.8$	5.5	1.0	$\phi 3.2$	>1.8	Matt	1	
LEAD-30	$\phi 3.8$	4.1	1.0	$\phi 3.1$	>1.4	Matt	1	
LEAD-30FQ	$\phi 3.8$	3.5	1.0	$\phi 3.1$	>1.4	Matt	1	
LEAD-30M	$\phi 3.8$	9.7	1.2	$\phi 3.1$	>1.0	Polished	2	
LEAD-39	$\phi 3.8$	24.8	1.2	$\phi 3.1$	>1.0	Matt	2	1000

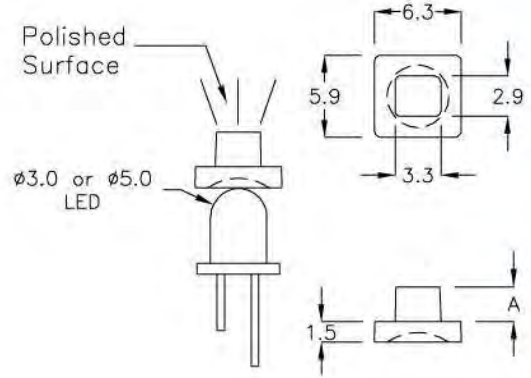


導光柱 LIGHT PIPE

1-37-1

- MATERIAL: PC(UL)
- FLAME CLASS: 94V-2
- COLOR: CLEAR

PART NO	A	PACKAGE
LEAD-29	2.5	2000

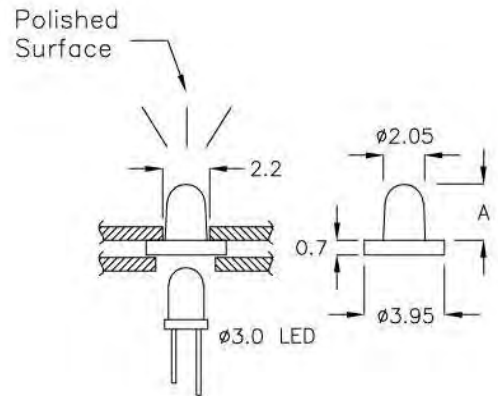


導光柱 LIGHT PIPE

1-37-2

- MATERIAL: PC(UL)
- FLAME CLASS: 94V-2
- COLOR: CLEAR

PART NO	A	PACKAGE
LEAD-3FK	2.75	2000

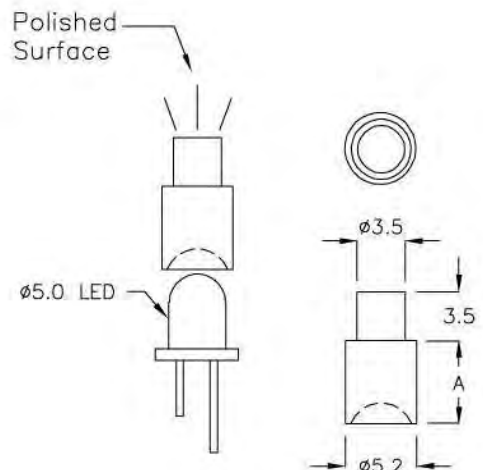


導光柱 LIGHT PIPE

1-37-3

- MATERIAL: PC(UL)
- FLAME CLASS: 94V-2
- COLOR: CLEAR

PART NO	A	PACKAGE
LEAD-35	6.0	2000



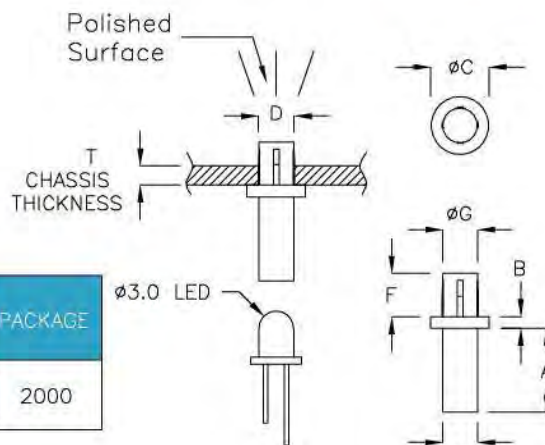


導光柱 LIGHT PIPE

1-38-1

- MATERIAL: PC(UL)
- FLAME CLASS: 94V-2
- COLOR: CLEAR

PART NO.	A	B	C	D HOLE IN CHASSIS	E	F	G	T CHASSIS THICKNESS	PACKAGE
LEHD-5Q	1.4	1.3	3.8	ø3.0	2.8	2.3	2.6	1.4	2000
LEHD-12F	7.0	1.0	4.9	ø3.0	2.9	3.6	2.9	1.6	

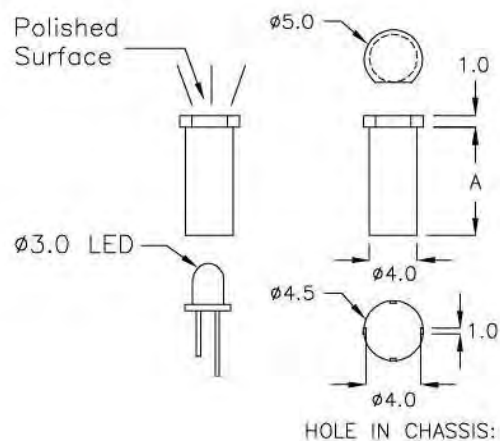


導光柱 LIGHT PIPE

1-38-2

- MATERIAL: PMMA
- COLOR: CLEAR

PART NO.	A	PACKAGE
LEZD-10	9.0	2000

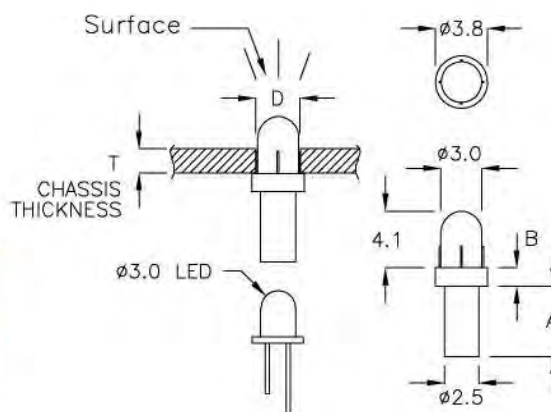


導光柱 LIGHT PIPE

1-38-3

- MATERIAL: PC(UL)
- FLAME CLASS: 94V-2
- COLOR: CLEAR

PART NO.	A	B	D HOLE IN CHASSIS	T CHASSIS THICKNESS	SURFACE	PACKAGE
LEAD-36	5.1	1.3	ø3.1	1.6	Matt	1000
LEAD-36PQ	5.1	1.3	ø3.0	1.6	Polished	
LEAD-37	1.9	1.3	ø3.1	1.6	Matt	



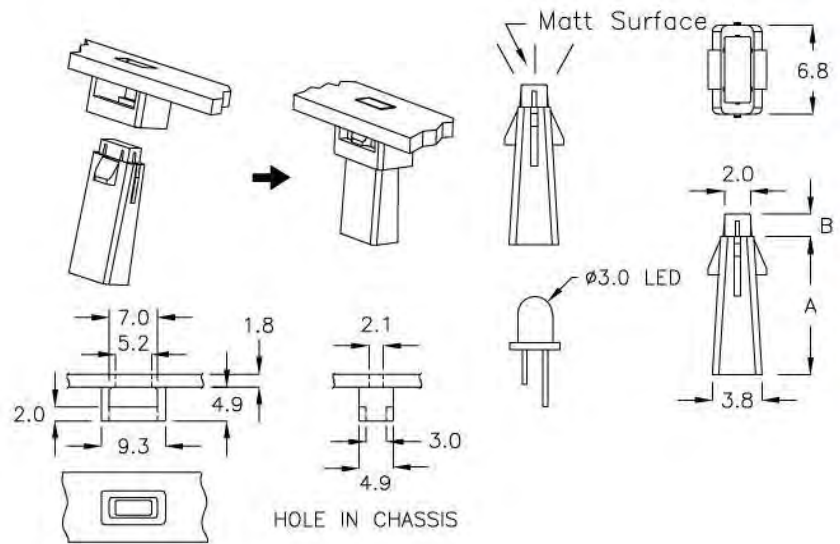


導光柱 LIGHT PIPE

1-39-1

- MATERIAL: PC(UL)
- FLAME CLASS: 94V-2
- COLOR: CLEAR

PART NO	A	B	PACKAGE
LEAD-52MK	14.2	1.7	2000

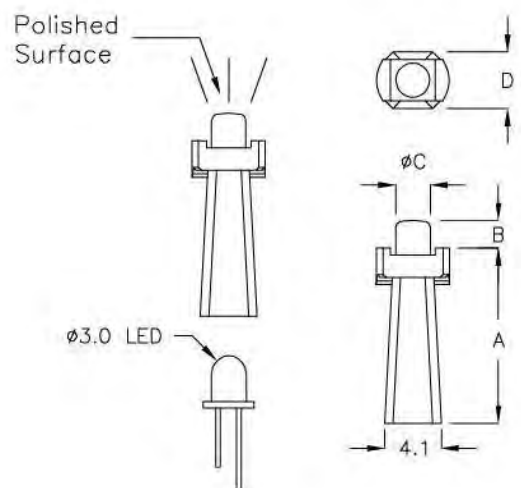


導光柱 LIGHT PIPE

1-39-2

- MATERIAL: PC(UL)
- FLAME CLASS: 94V-2
- COLOR: CLEAR

PART NO	A	B	C	D	PACKAGE
LEAD-40	10.1	2.0	2.5	3.0	2000
LEAD-51	12.6	2.0	2.5	4.1	
LEAD-51K	13.5	2.0	1.6	3.0	



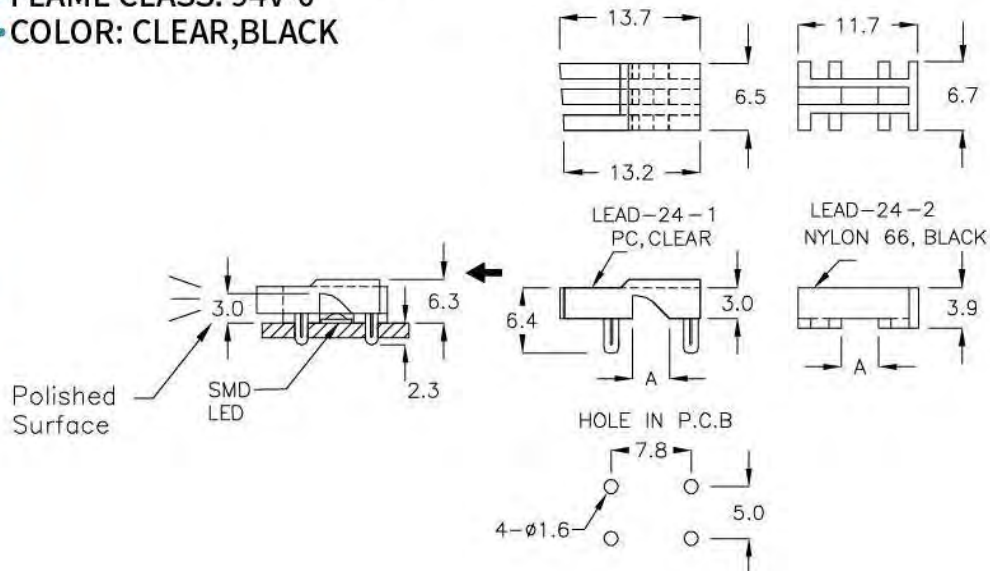


導光柱 LIGHT PIPE

1-40-1

- MATERIAL: PC,NYLON 66(UL)
- FLAME CLASS: 94V-0
- COLOR: CLEAR,BLACK

PART NO	A	PACKAGE
LEAD-24	3.6	1000

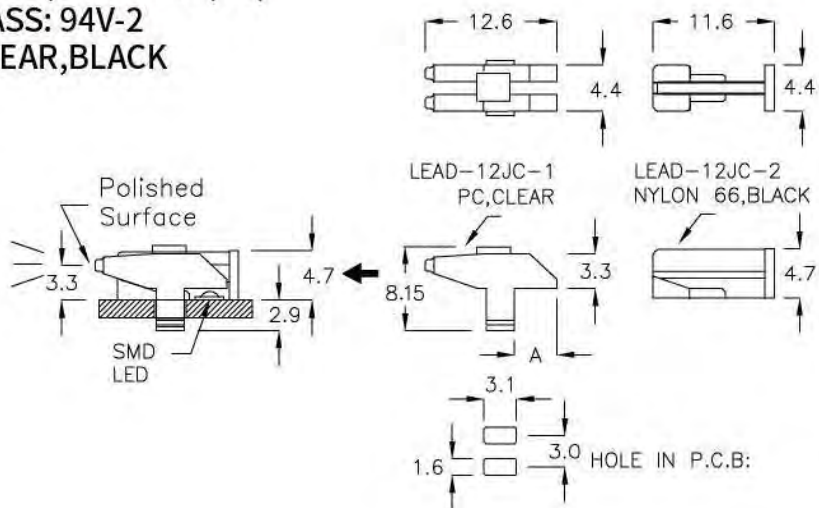


導光柱 LIGHT PIPE

1-40-2

- MATERIAL: PC,NYLON 66(UL)
- FLAME CLASS: 94V-2
- COLOR: CLEAR,BLACK

PART NO	A	P.C.B. THICKNESS	PACKAGE
LEAD-12JC	4.0	1.6	1000



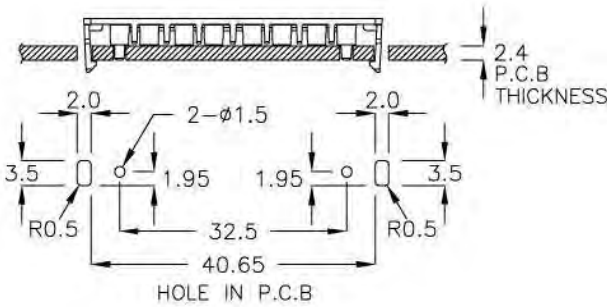
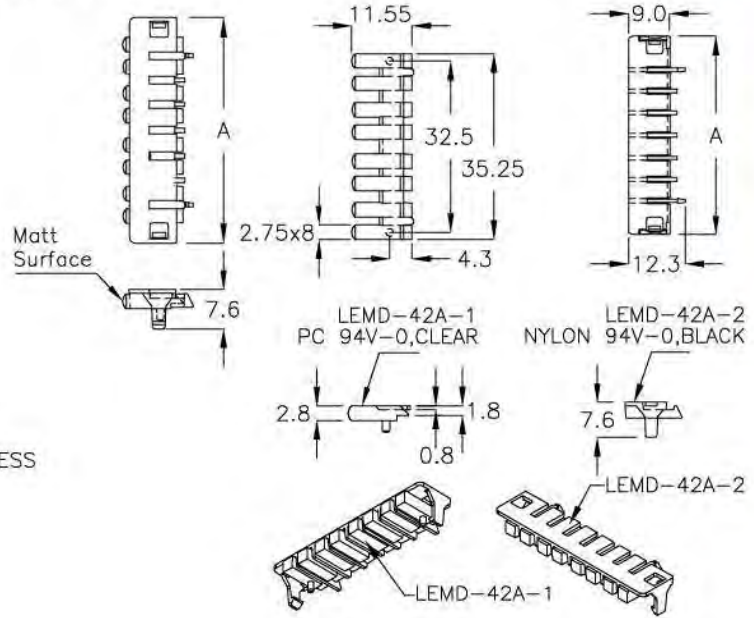


導光柱 LIGHT PIPE

1-41-1

- MATERIAL: PC,NYLON 66(UL)
- FLAME CLASS: 94V-0
- COLOR: CLEAR,BLACK

PART NO	A	PACKAGE
LEMD-42A	42.8	200

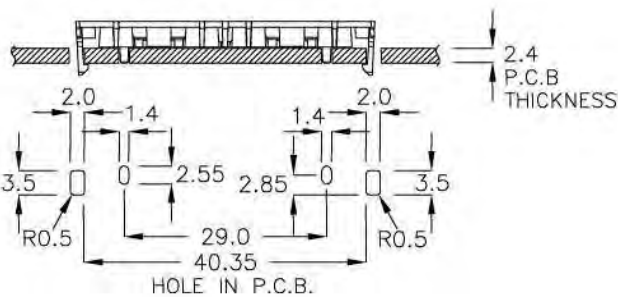
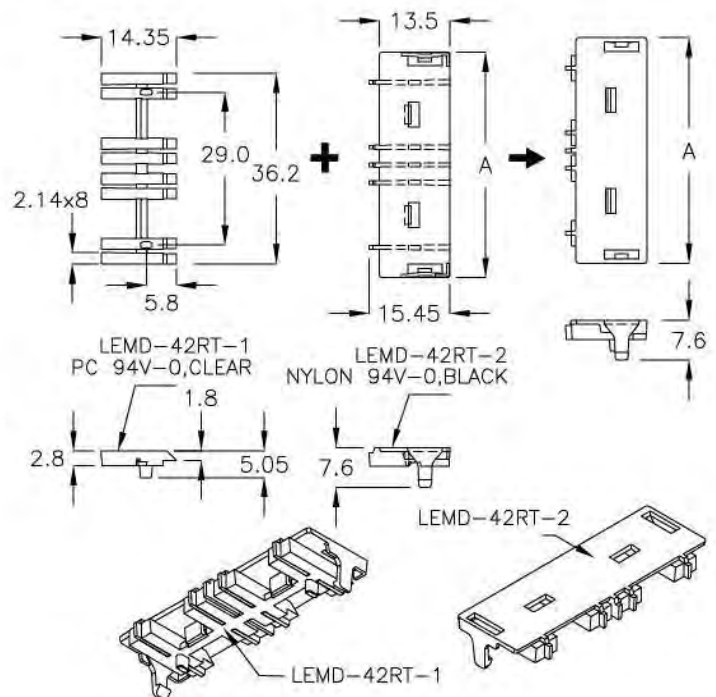


導光柱 LIGHT PIPE

1-41-2

- MATERIAL: PC,NYLON 66(UL)
- FLAME CLASS: 94V-0
- COLOR: CLEAR,BLACK

PART NO	A	PACKAGE
LEMD-42RT	42.8	200



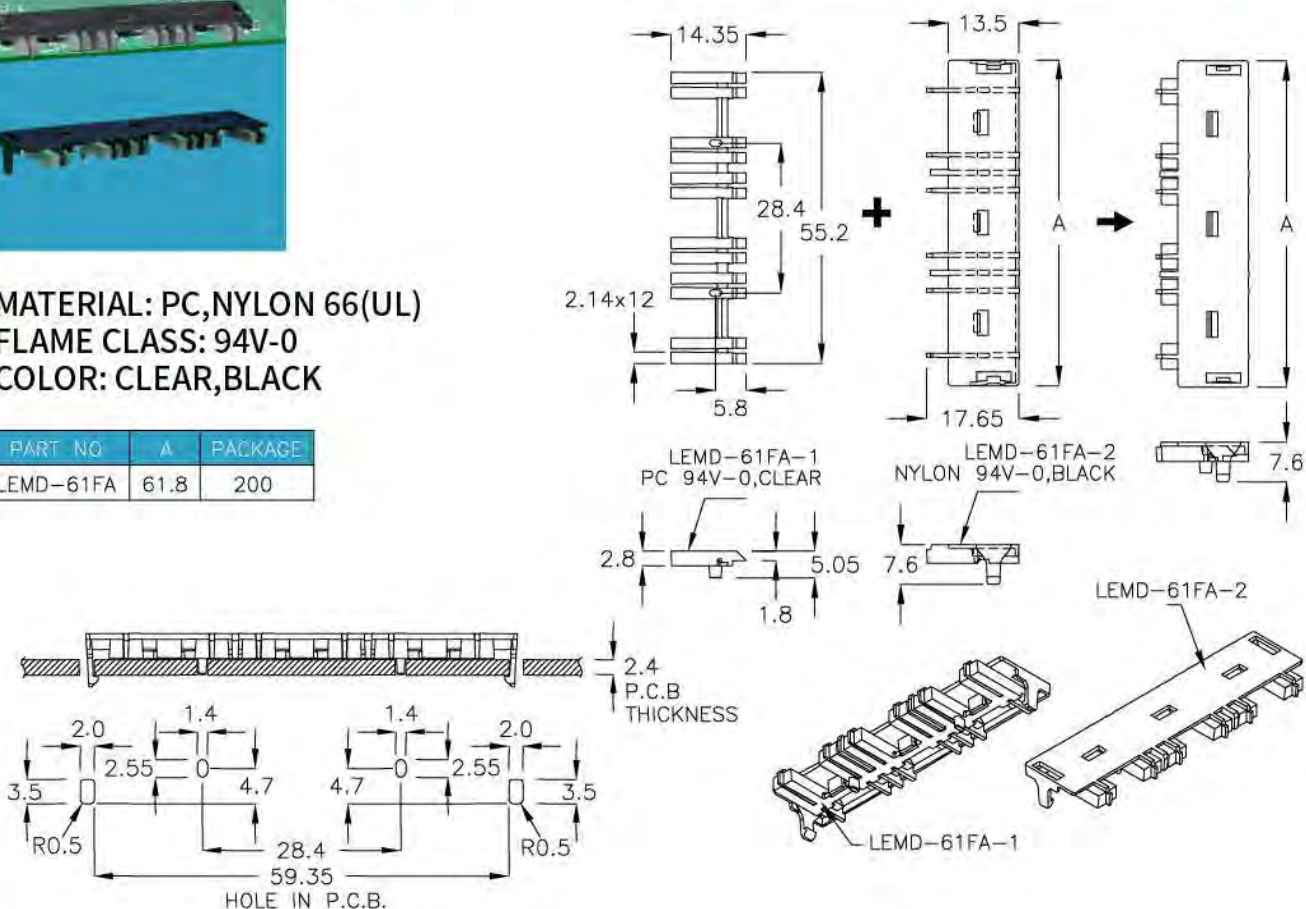


導光柱 LIGHT PIPE

1-42-1

- MATERIAL: PC,NYLON 66(UL)
- FLAME CLASS: 94V-0
- COLOR: CLEAR,BLACK

PART NO	A	PACKAGE
LEMD-61FA	61.8	200

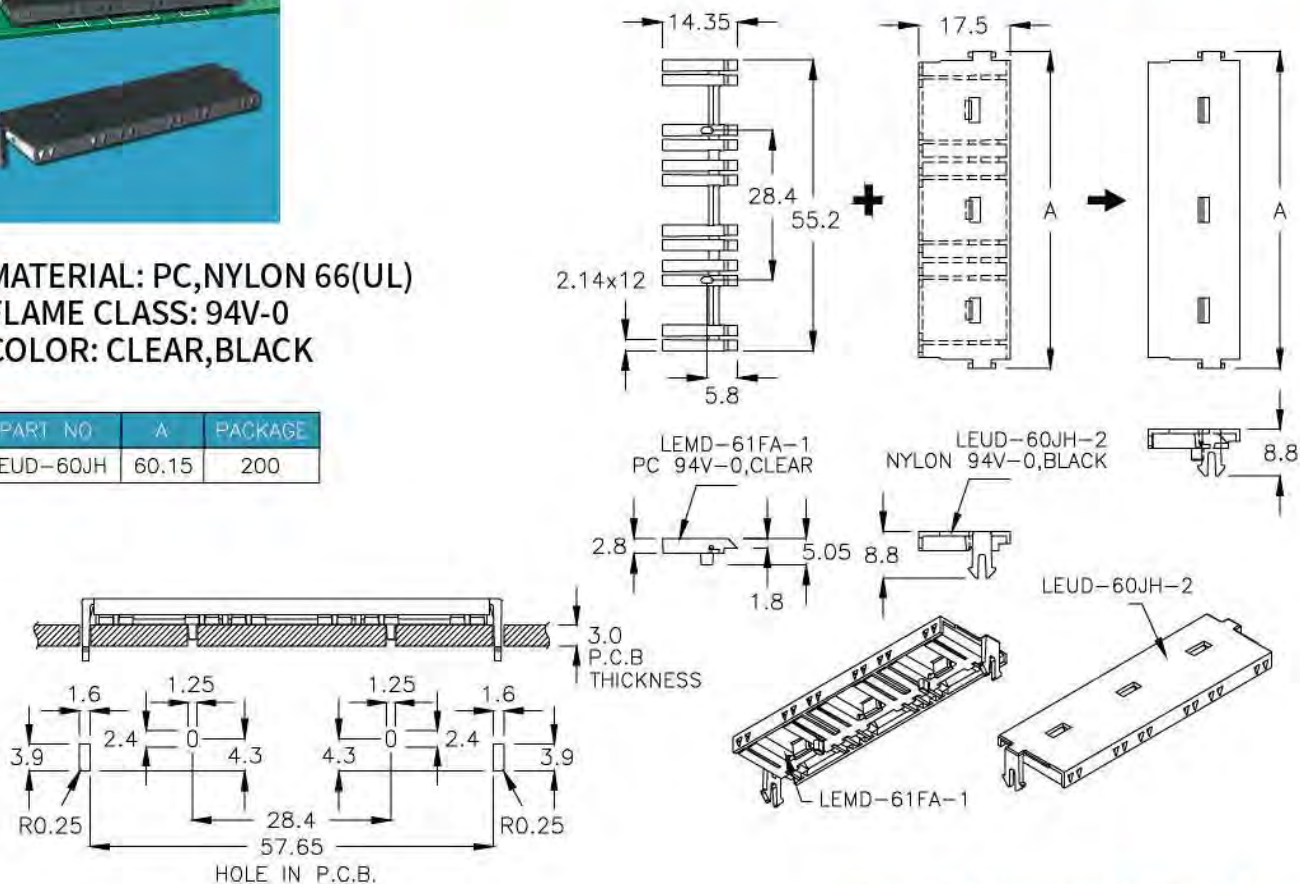


導光柱 LIGHT PIPE

1-42-2

- MATERIAL: PC,NYLON 66(UL)
- FLAME CLASS: 94V-0
- COLOR: CLEAR,BLACK

PART NO	A	PACKAGE
LEUD-60JH	60.15	200



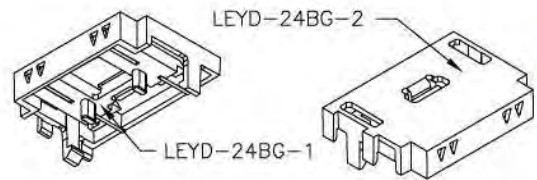
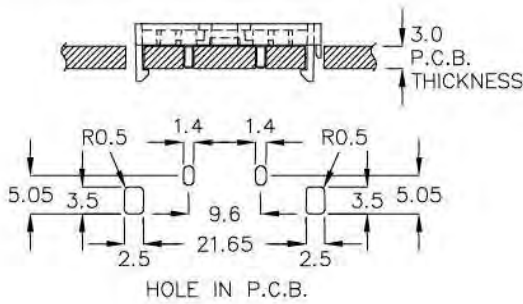
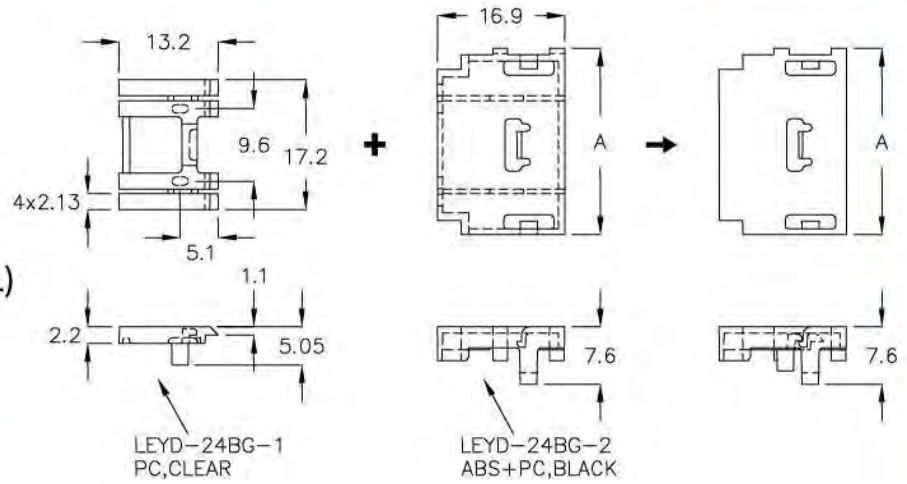


導光柱 LIGHT PIPE

1-43-1

- MATERIAL: PC,NYLON 66(UL)
- FLAME CLASS: 94V-0
- COLOR: CLEAR,BLACK

PART NO	A	PACKAGE
LEYD-24BG	24.7	200

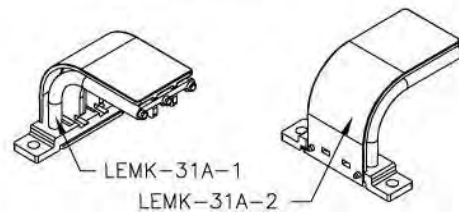
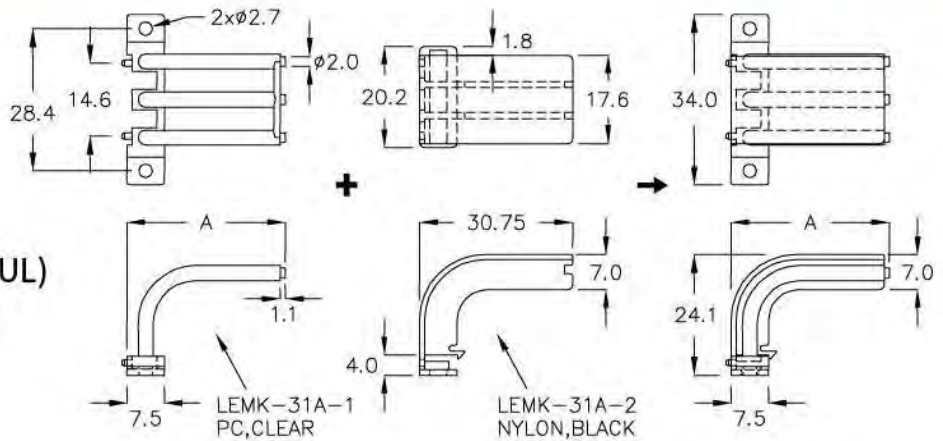


導光柱 LIGHT PIPE

1-43-2

- MATERIAL: PC,NYLON 66(UL)
- FLAME CLASS: 94V-0
- COLOR: CLEAR,BLACK

PART NO	A	PACKAGE
LEMK-31A	31.9	500

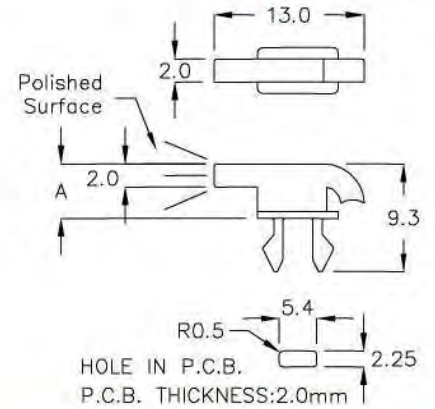




導光柱 LIGHT PIPE

- MATERIAL: PC(UL)
- FLAME CLASS: 94V-0
- COLOR: CLEAR

PART NO	A	PACKAGE
LEFD-4A	4.7	1000



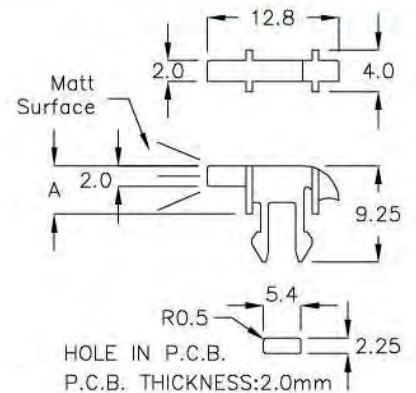
1-44-1



導光柱 LIGHT PIPE

- MATERIAL: PC(UL)
- FLAME CLASS: 94V-0
- COLOR: CLEAR

PART NO	A	PACKAGE
LEFD-4RZ	4.65	1000



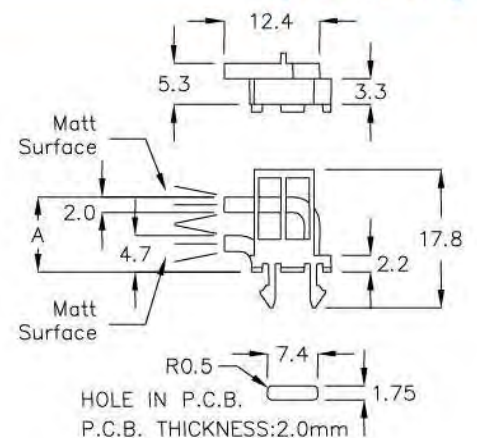
1-44-2



導光柱 LIGHT PIPE

- MATERIAL: PC(UL)
- FLAME CLASS: 94V-0
- COLOR: CLEAR

PART NO	A	PACKAGE
LEFD-9DK	9.7	1000



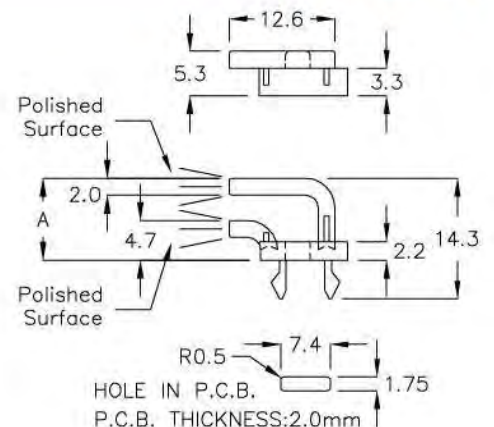
1-44-3



導光柱 LIGHT PIPE

- MATERIAL: PC(UL)
- FLAME CLASS: 94V-0
- COLOR: CLEAR

PART NO	A	PACKAGE
LEFD-9MQ	9.7	1000



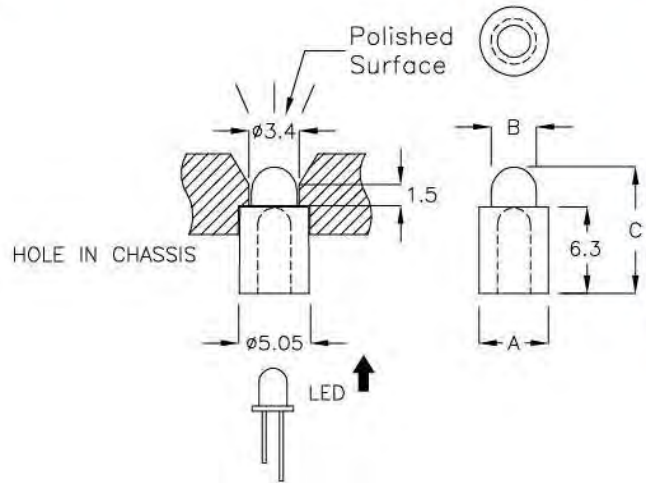
1-44-4



導光柱 LIGHT PIPE

1-45-1

- MATERIAL: PC(UL)
- FLAME CLASS: 94V-2
- COLOR: CLEAR



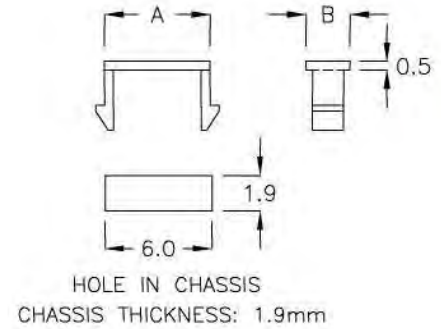
PART NO	A	B	C	PACKAGE
HHQ-01	$\phi 5.0$	$\phi 3.3$	9.2	2000



保護蓋 COVER

1-45-2

- MATERIAL: PC(UL)
- FLAME CLASS: 94V-2
- COLOR: CLEAR



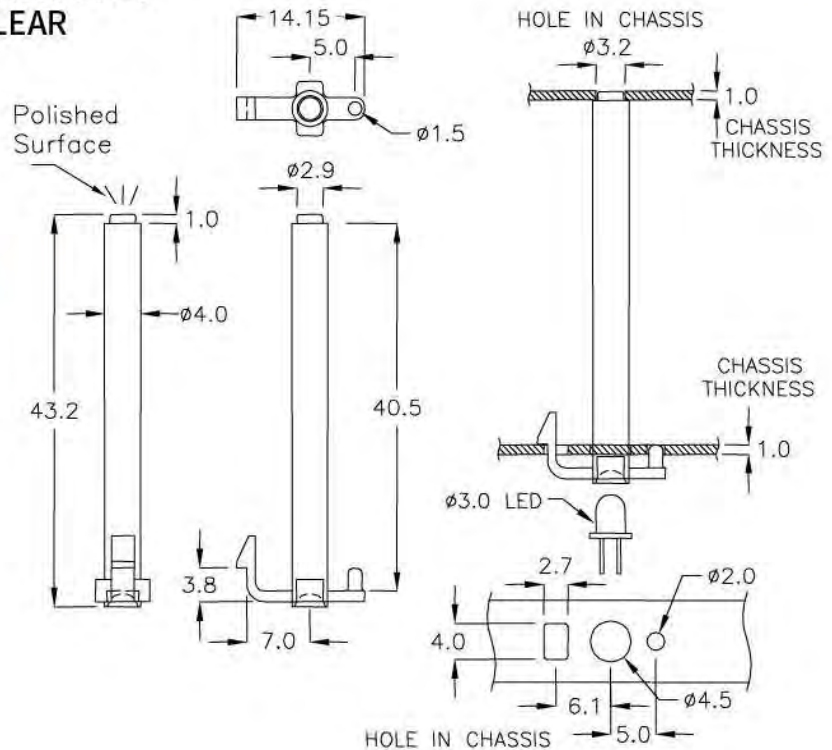
PART NO	A	B	PACKAGE
BHB-06	6.0	2.5	2000



導光柱 LIGHT PIPE

1-45-3

- MATERIAL: PC(UL)
- FLAME CLASS: 94V-0
- COLOR: CLEAR



PART NO	A	B	C	PACKAGE
LEAD-43KT	43.2	40.5	$\phi 2.9$	200

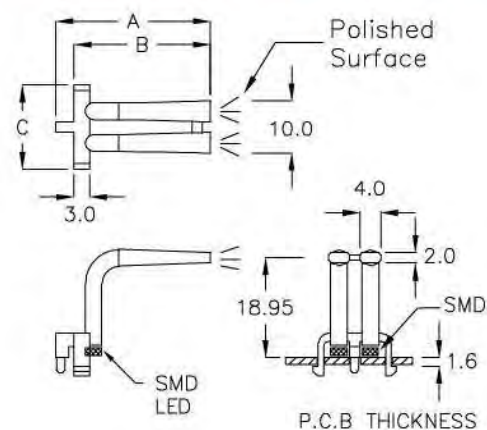
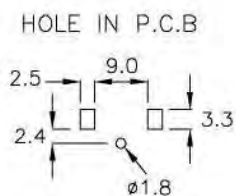


導光柱 LIGHT PIPE

1-46-1

- MATERIAL: PC(UL)
- FLAME CLASS: 94V-2
- COLOR: CLEAR

PART NO	A	B	C	PACKAGE
LEAD-25	29.7	26.2	16.0	500

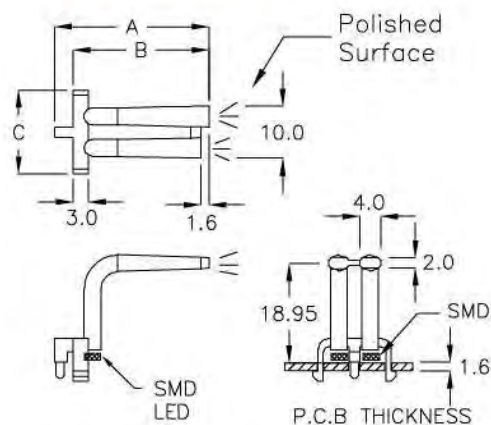
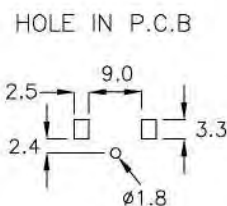


導光柱 LIGHT PIPE

1-46-2

- MATERIAL: PC(UL)
- FLAME CLASS: 94V-2
- COLOR: CLEAR

PART NO	A	B	C	PACKAGE
LEAD-26	29.7	26.2	16.0	500

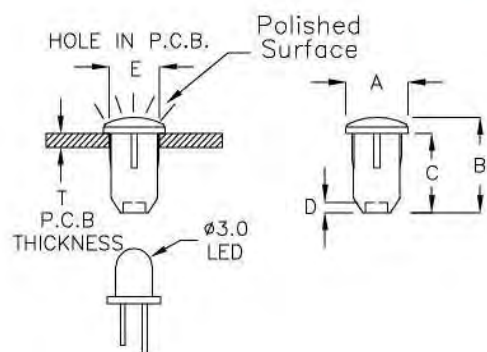


導光柱 LIGHT PIPE

1-46-3

- MATERIAL: PC(UL)
- FLAME CLASS: 94V-0
- COLOR: CLEAR

PART NO	A	B	C	D	E	T	PACKAGE
LEAD-7QS	5.0	7.7	6.4	0.8	3.9	≥2.0	2000

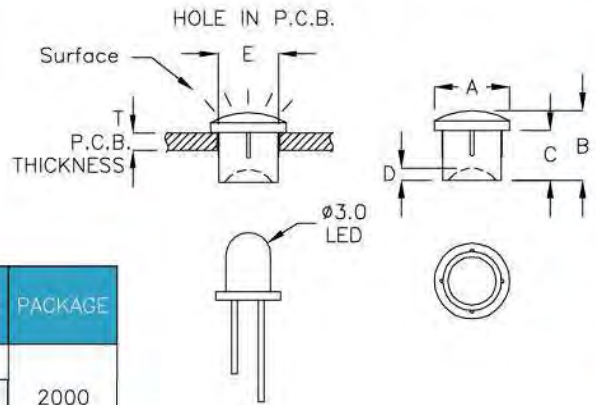




導光柱 LIGHT PIPE

1-47-1

- MATERIAL: PC(UL)
- FLAME CLASS: 94V-2
- COLOR: CLEAR



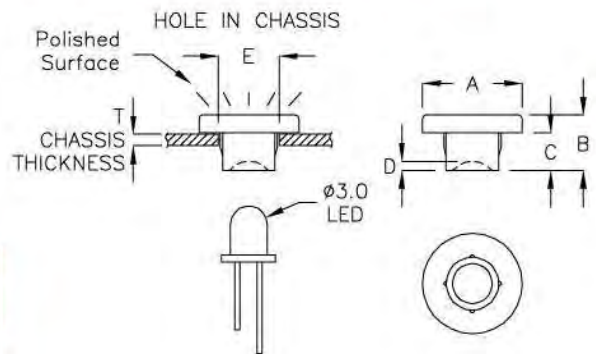
PART NO	A	B	C	D	E HOLE IN P.C.B.	T P.C.B. THICKNESS	SURFACE	PACKAGE
LEAD-4RK	ø3.8	3.95	2.95	0.4	ø3.1	≥ 1.4	Matt	2000
LEAD-2B	ø5.0	4.6	3.3	0.8	ø3.96	≥ 1.6	Matt	
LEAD-2BAM	ø5.0	4.6	3.3	0.8	ø3.96	≥ 1.6	Polished	



導光柱 LIGHT PIPE

1-47-2

- MATERIAL: PC(UL)
- FLAME CLASS: 94V-2
- COLOR: CLEAR



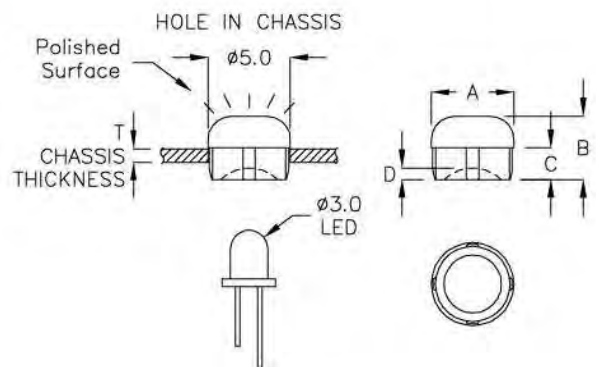
PART NO	A	B	C	D	E HOLE IN CHASSIS	T CHASSIS THICKNESS	PACKAGE
LEVD-5GS	ø5.5	3.05	2.05	0.5	ø3.0	≥ 2.0	2000



導光柱 LIGHT PIPE

1-47-3

- MATERIAL: PC(UL)
- FLAME CLASS: 94V-2
- COLOR: CLEAR



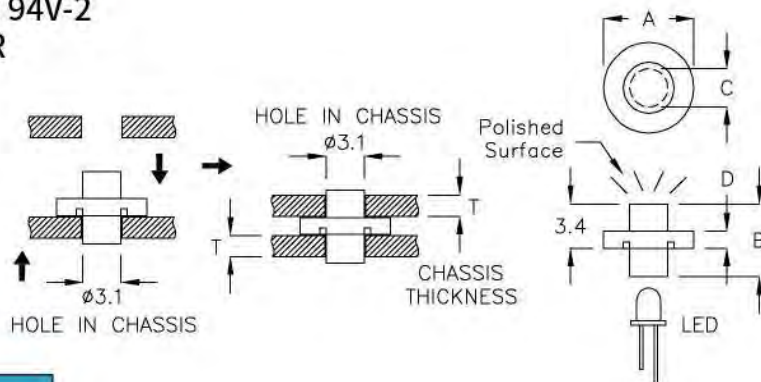
PART NO	A	B	C	D	T CHASSIS THICKNESS	PACKAGE
LEWD-04	ø5.25	4.0	2.0	0.7	≥ 0.8	2000



導光柱 LIGHT PIPE

1-48-1

- MATERIAL: PC(UL)
- FLAME CLASS: 94V-2
- COLOR: CLEAR



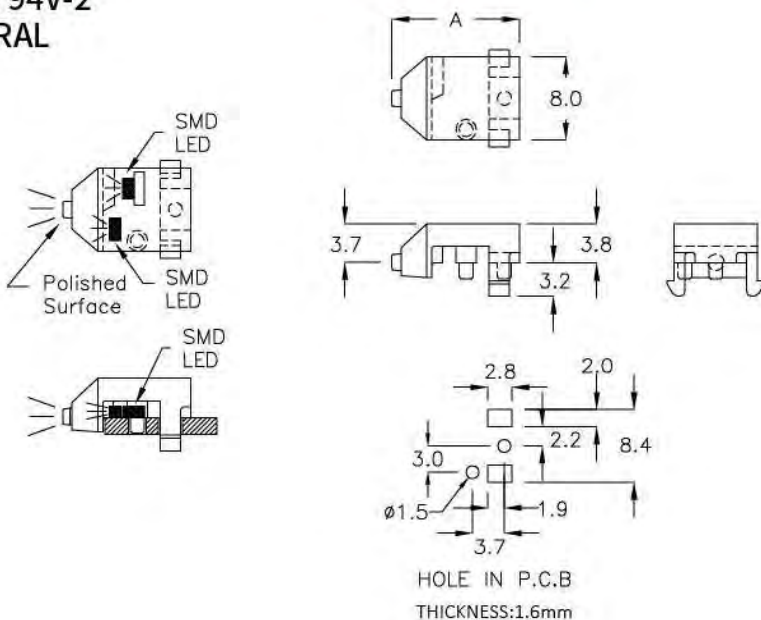
PART NO	A	B	C	D	T CHASSIS THICKNESS	PACKAGE
LEAD-5A	$\phi 7.0$	5.6	$\phi 2.95$	1.3	2.0	2000



導光柱 LIGHT PIPE

1-48-2

- MATERIAL: PC(UL)
- FLAME CLASS: 94V-2
- COLOR: NATURAL



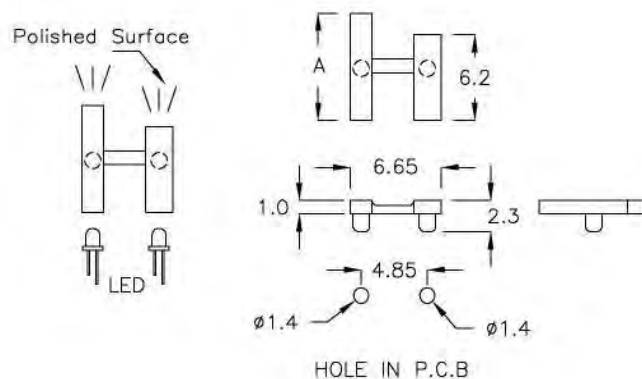
PART NO	A	P.C.B. THICKNESS	PACKAGE
LESD-12K	12.4	1.6	1000



導光柱 LIGHT PIPE

1-48-3

- MATERIAL: PC(UL)
- FLAME CLASS: 94V-2
- COLOR: CLEAR



PART NO	A	P.C.B. THICKNESS	PACKAGE
LETD-6K	7.75	1.6	2000

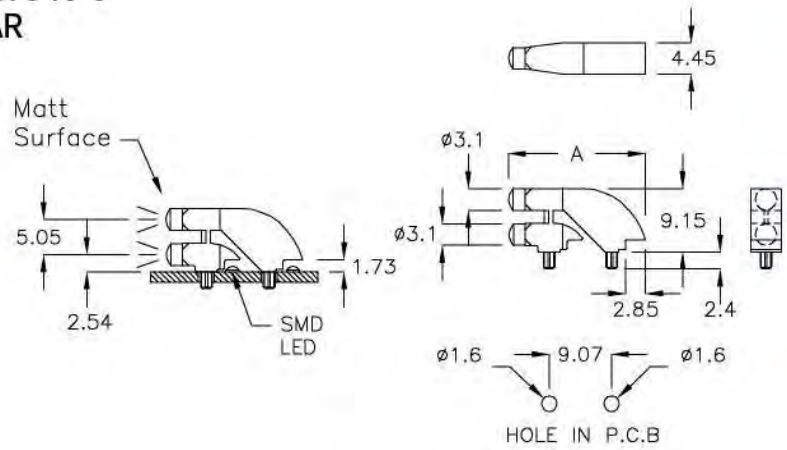


導光柱 LIGHT PIPE

1-49-1

- MATERIAL: PC
- FLAME CLASS: 94V-0
- COLOR: CLEAR

PART NO	A	P.C.B. THICKNESS	PACKAGE
LEJD-19K	19.85	1.6	500

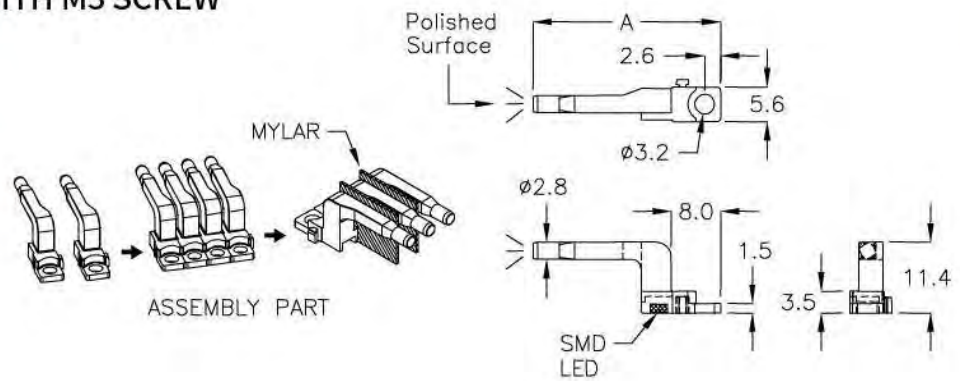


導光柱 LIGHT PIPE

1-49-2

- MATERIAL: PC(UL)
- FLAME CLASS: 94V-2
- COLOR: CLEAR
- WITH M3 SCREW

PART NO	A	PACKAGE
LEAD-29CT	30.5	500

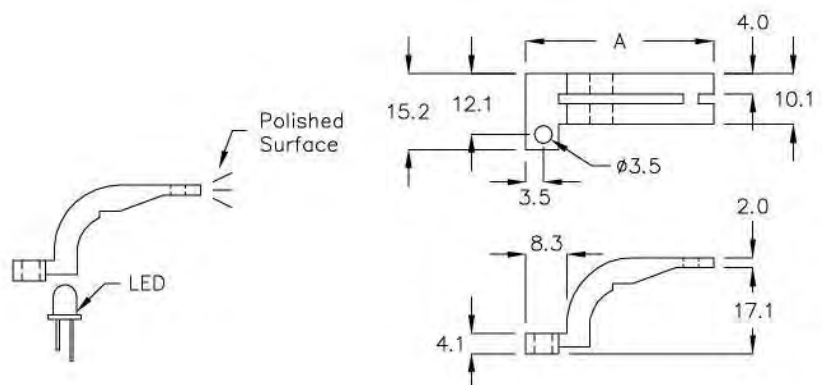


導光柱 LIGHT PIPE

1-49-3

- MATERIAL: PMMA
- COLOR: CLEAR

PART NO	A	PACKAGE
LEAD-2	37.5	500



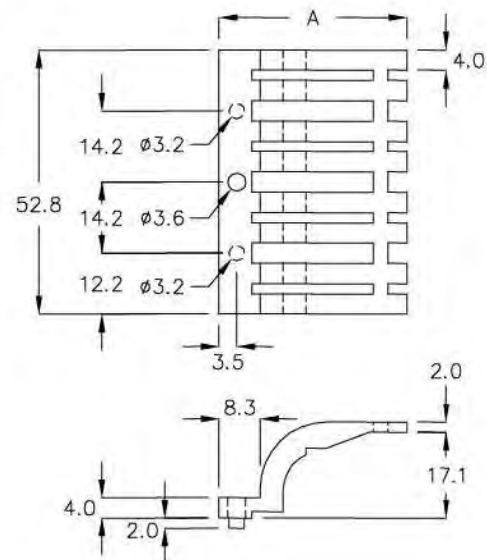
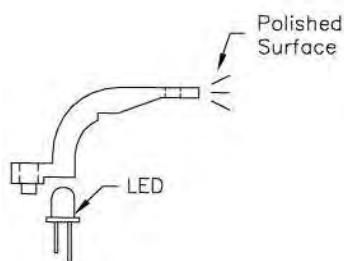


導光柱 LIGHT PIPE

1-50-1

- MATERIAL: PMMA
- COLOR: CLEAR

PART NO	A	PACKAGE
LEAD-8	37.5	100

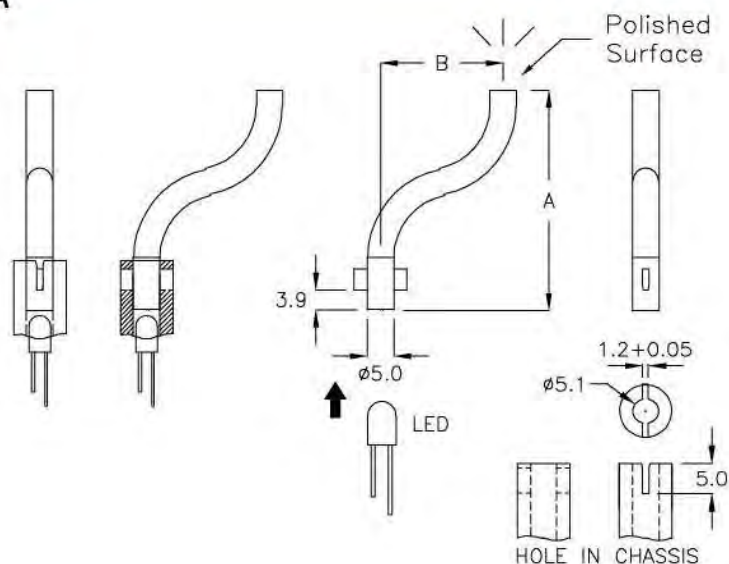


導光柱 LIGHT PIPE

1-50-2

- MATERIAL: PMMA
- COLOR: CLEAR

PART NO	A	B	PACKAGE
LEAD-10	41.5	23.3	500
LEAD-11	45.5	23.3	
LEAD-12	76.5	23.3	

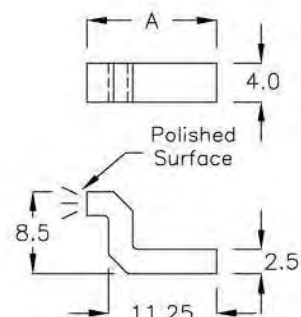
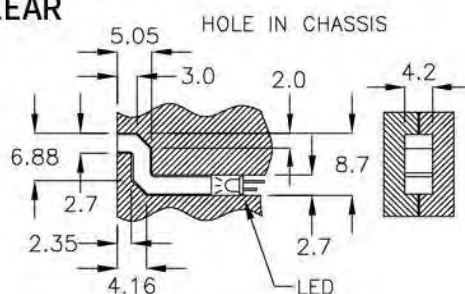


導光柱 LIGHT PIPE

1-50-3

- MATERIAL: PC(UL)
- FLAME CLASS: 94V-2
- COLOR: CLEAR

PART NO	A	PACKAGE
LEQD-13K	13.5	2000



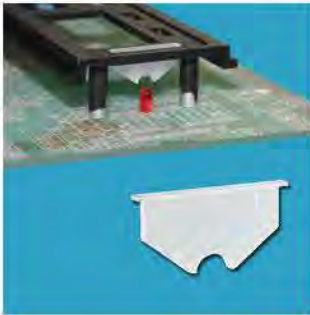
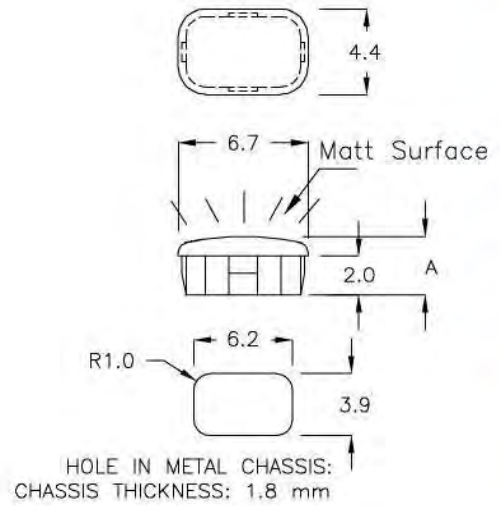


導光柱 LIGHT PIPE

1-51-1

- MATERIAL: PC(UL)
- FLAME CLASS: 94V-2
- COLOR: CLEAR

PART NO	A	PACKAGE
LECD-3K	3.0	1000

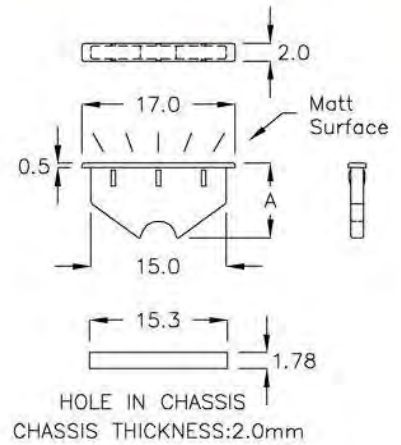


導光柱 LIGHT PIPE

1-51-2

- MATERIAL: PC(UL)
- FLAME CLASS: 94V-2
- COLOR: NATURAL

PART NO	A	PACKAGE
LEWA-17C	8.2	1000

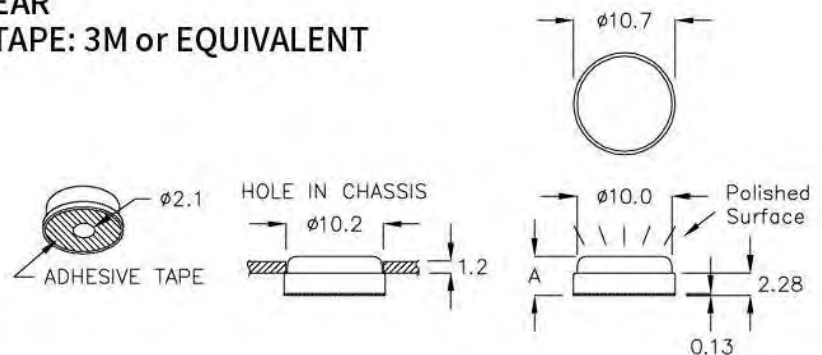


導光柱 LIGHT PIPE

1-51-3

- MATERIAL: PMMA
- COLOR: CLEAR
- ADHESIVE TAPE: 3M or EQUIVALENT

PART NO	A	PACKAGE
LERD-3K	4.03	2000

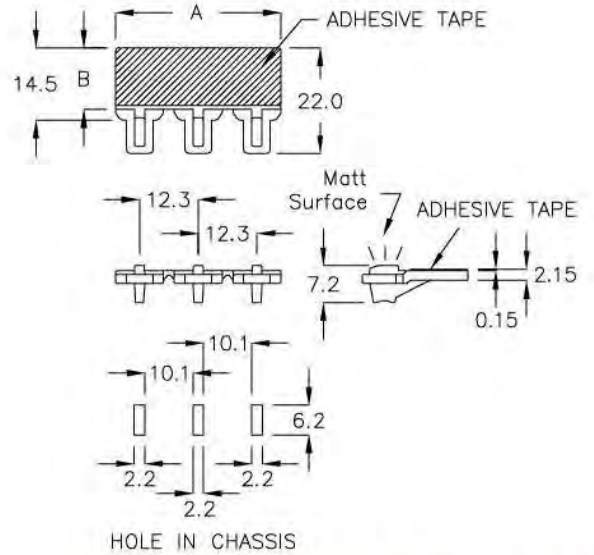




導光柱 LIGHT PIPE

1-52-1

- MATERIAL: PC(UL)
- FLAME CLASS: 94V-2
- COLOR: NATURAL
- ADHESIVE TAPE: 3M



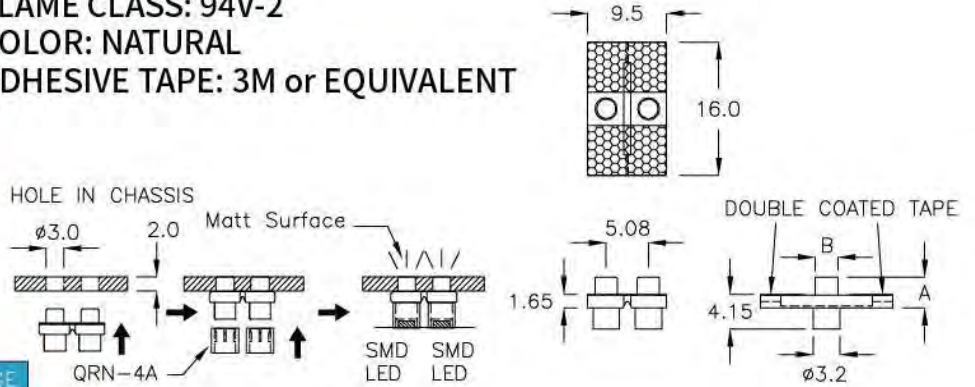
PART NO	A	B	PACKAGE
LEND-22A	34.6	12.8	200



導光柱 LIGHT PIPE

1-52-2

- MATERIAL: PC(UL)
- FLAME CLASS: 94V-2
- COLOR: NATURAL
- ADHESIVE TAPE: 3M or EQUIVALENT



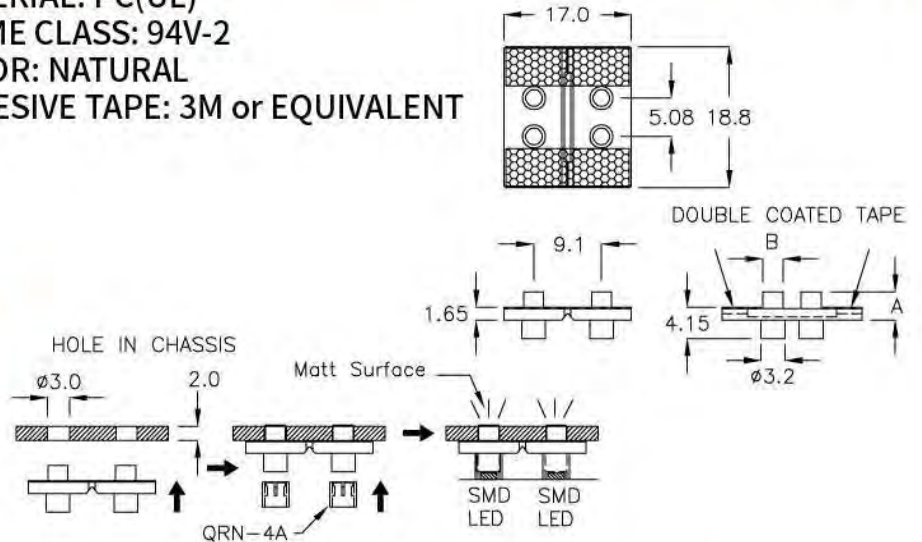
PART NO	A	B	PACKAGE
LEGD-2A	3.7	2x ϕ 2.7	1000
LEGD-2KM	3.3	2x ϕ 2.7	



導光柱 LIGHT PIPE

1-52-3

- MATERIAL: PC(UL)
- FLAME CLASS: 94V-2
- COLOR: NATURAL
- ADHESIVE TAPE: 3M or EQUIVALENT



PART NO	A	B	PACKAGE
LEGD-4C	3.7	4x ϕ 2.7	1000
LEGD-4QN	3.3	4x ϕ 2.7	

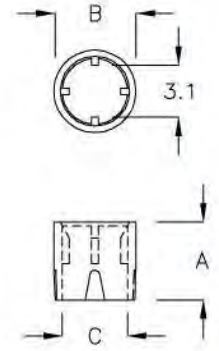


遮光罩 LIGHT COVER

1-53-1

- MATERIAL: NYLON 66(UL)
- FLAME CLASS: 94V-2
- COLOR: BLACK

PART NO	A	B	C	PACKAGE
QRN-4A	4.7	∅5.0	∅4.0	2000

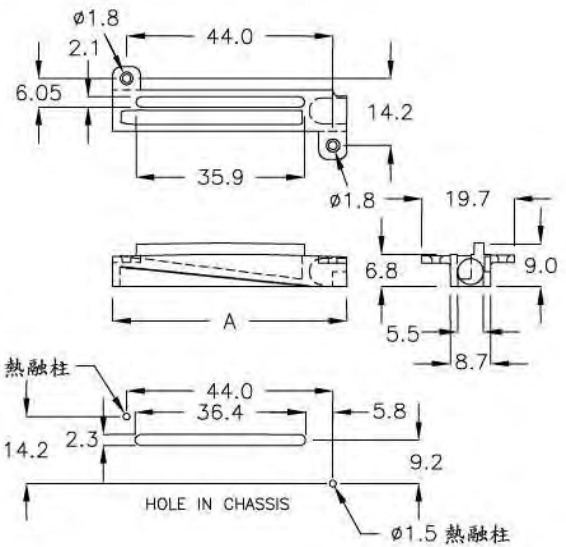
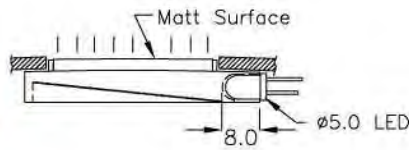


導光柱 LIGHT PIPE

1-53-2

- MATERIAL: PC(UL)
- FLAME CLASS: 94V-2
- COLOR: CLEAR

PART NO	A	PACKAGE
LEAD-1KC	50.0	500

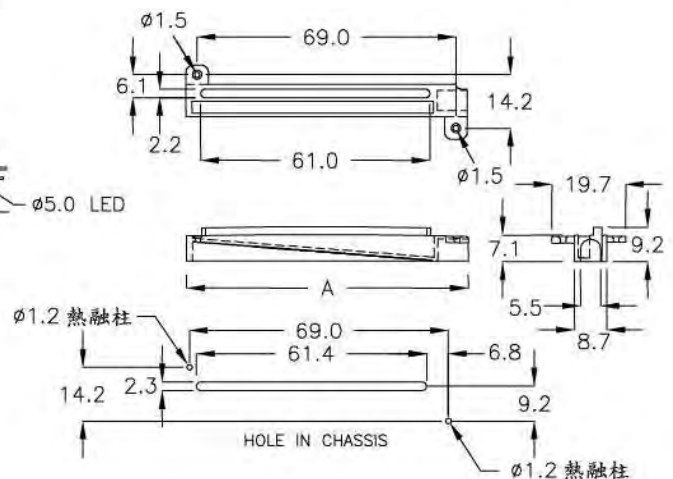
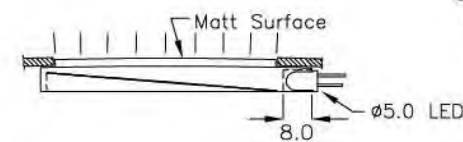


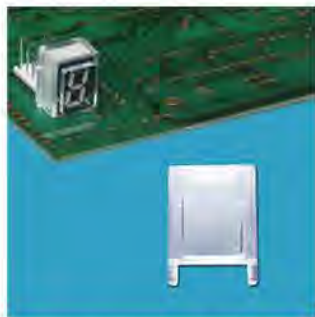
導光柱 LIGHT PIPE

1-53-3

- MATERIAL: PC(UL)
- FLAME CLASS: 94V-2
- COLOR: CLEAR

PART NO	A	PACKAGE
LEAD-1NJ	75.0	100



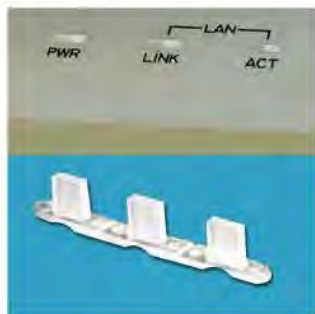
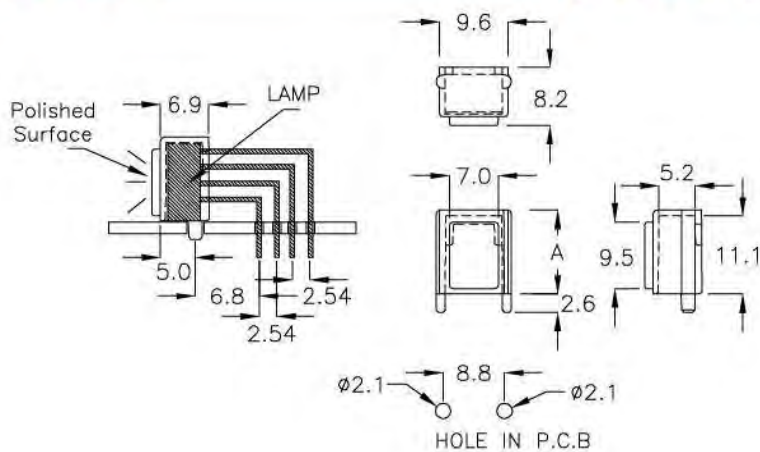


LED 導光罩 LED CAP

1-54-1

- MATERIAL: PC(UL)
- FLAME CLASS: 94V-0
- COLOR: NATURAL

PART NO	A	PACKAGE
LDHD-12MG	11.9	1000

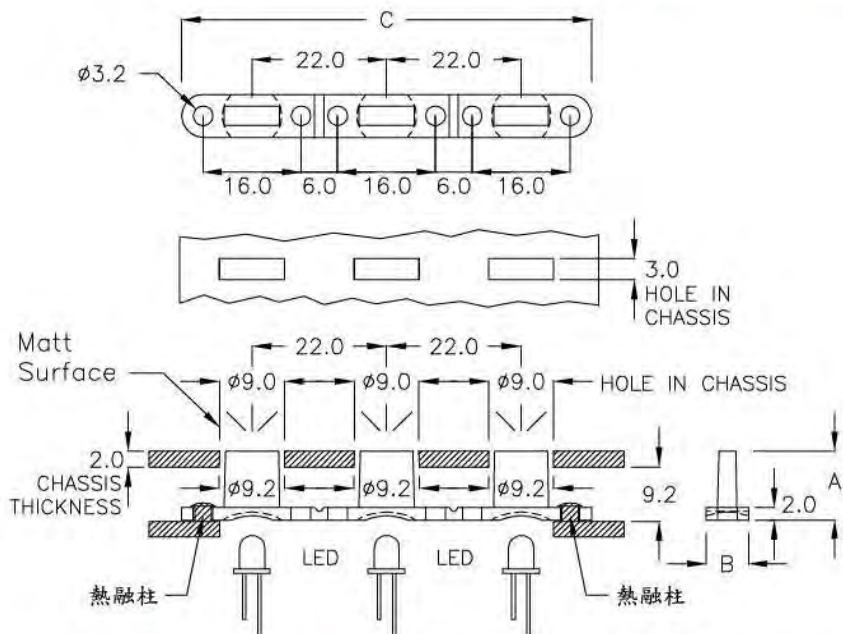


導光柱 LIGHT PIPE

1-54-2

- MATERIAL: PC(UL)
- FLAME CLASS: 94V-2
- COLOR: NATURAL

PART NO	A	B	C	PACKAGE
LEXD-67D	11.2	7.0	67.0	200

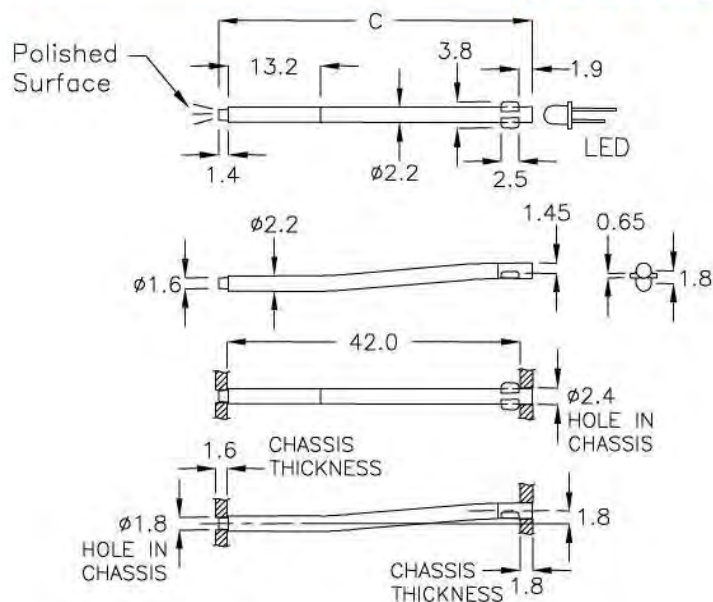


導光棒 LIGHT PIPE

1-54-3

- MATERIAL: PC(UL)
- FLAME CLASS: 94V-0
- COLOR: CLEAR

PART NO	C	PACKAGE
LDAD-45AT	44.9	2000

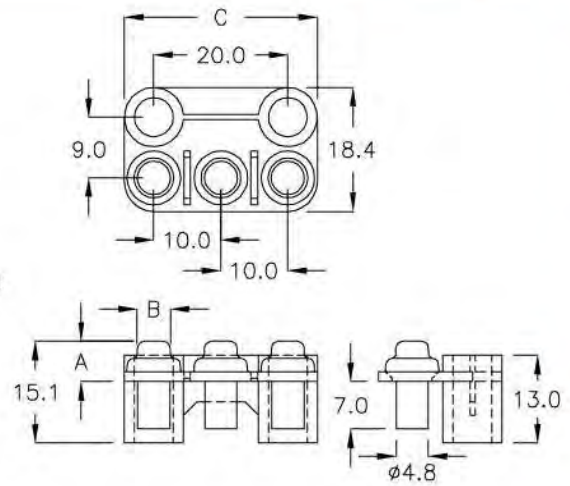
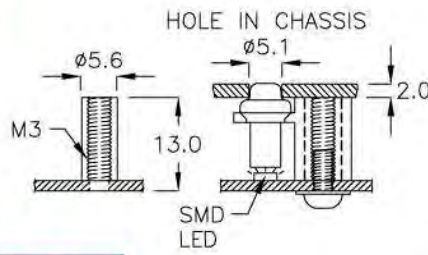




導光柱 LIGHT PIPE

1-55-1

- MATERIAL: PC(UL)
- FLAME CLASS: 94V-2
- COLOR: CLEAR



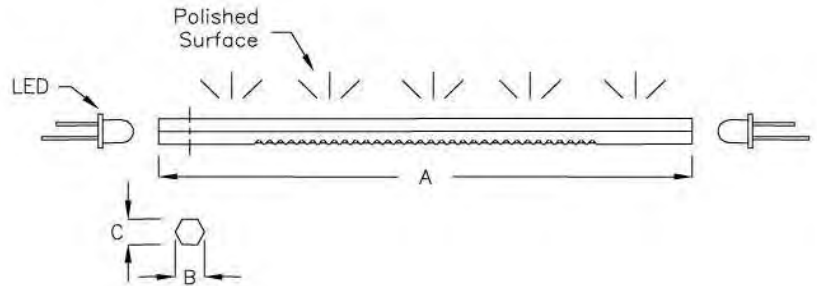
PART NO	A	B	C	PACKAGE
LEWF-28HS	6.0	ø4.95	28.8	500



導光柱 LIGHT PIPE

1-55-2

- MATERIAL: PC(UL)
- FLAME CLASS: 94V-2
- COLOR: CLEAR



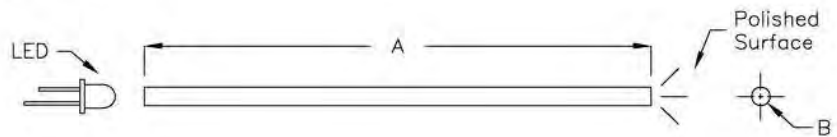
PART NO	A	B	C	PACKAGE
LEAD-50	113.0	2.75	2.38	200



導光柱 LIGHT PIPE

1-55-3

- MATERIAL: PC(UL)
- FLAME CLASS: 94V-2
- COLOR: CLEAR



PART NO	A	B	PACKAGE
LEAD-81	81.0	ø3.0	500

護線環
SNAP BUSHING

02



塞環
HOLE PLUG



線扣
BUSHING

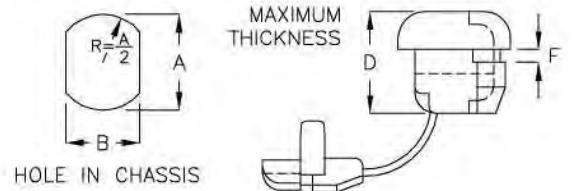




電源線扣 STRAIN RELIEF BUSHING

2-2-1

- MATERIAL: NYLON 66(UL)
- FLAME CLASS: 94V-2
- COLOR: BLACK



PG Cord Bushings are the easy and low-cost way to insulate and protect your AC Cords. Provide non-slip grip and will not damage the insulation of AC Cord.



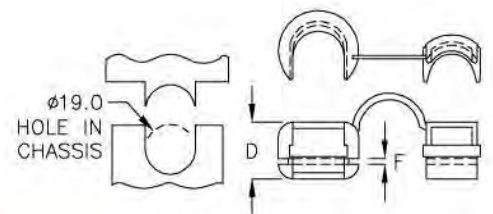
PART NO.	SUITABLE CABLE TYPE & DIMENSIONS OF CHASSIS						D PART LENGTH	UL	PACKAGE
	CROSS SECTION SHAPE	WIRE ACCOMMODATED	SIZE	A	B TO PREVENT ROTATION	F MAXIMUM THICKNESS			
2RF-2	FLAT	SPT-1	2.8x5.3	9.5	8.7	3.2	10.8	UL	500
3RF-1	FLAT	SPT-2	3.0x5.6	11.1	9.9	2.6	10.3		
3RF-2	FLAT	SPT-2	3.0x5.6	11.1	10.1	1.6	10.3	UL	
4RF-4	FLAT	SPT-2	3.0x5.6	12.7	11.5	2.5	11.2	UL	
4RF-5	FLAT	SPT-2	3.8x7.6	12.7	11.8	1.6	10.4	UL	
4RF-6	FLAT	SPT-2	3.0x6.5	12.5	11.6	2.7	10.5	UL	
5R-2	ROUND	SVI	7.6	12.7	11.5	1.6	11.3		
5R-4	ROUND	SV,SVT	6.4	12.7	11.5	1.6	11.3	UL	
5R-4A	ROUND	SV,SVT	6.4	12.7	11.5	2.5	11.0	UL	
5RF-4	FLAT	SPT-2	3.8x8.9	14.3	13.4	1.6	15.45	UL	
		SPT-3	5.0x10.0						
6R-4	ROUND	SVI	7.6	15.9	14.0	1.6	14.9	UL	200
6R-6	ROUND	SJ,SJT	8.2	15.9	14.0	1.6	14.5	UL	
6R-6A	ROUND	SJ,SJT	8.2	15.9	14.0	3.2	14.5		
7R-2	ROUND	S,ST	9.2-10.5	19.0	16.8	1.6	19.0	UL	
			11.0	19.8					
7R-2A	ROUND	S,ST	9.2-10.5	19.0	16.8	3.2	19.0	UL	
			11.0	19.8					
7R-2LT	ROUND	SJT	9.6-10.0	19.0	16.8	1.0	15.0		100
8R-2	ROUND	SJT	13.5-15.2	22.2	21.5	3.2	20.0	UL	
8R-2A	ROUND	SJT	13.5	23.0	22.0	2.0	19.9		
9R-2	ROUND	SJT	15.2-16.3	28.0	25.2	2.4	25.6		
			17.5	30.2	25.2	6.7			
9R-2A	ROUND	SJT	15.5	28.0	25.2	2.4	14.5		50
9R-2B	ROUND	SJT	18.2	28.0	25.2	2.4	23.9		100
									50



電源線扣 STRAIN RELIEF BUSHING

2-2-2

- MATERIAL: NYLON 66(UL)
- FLAME CLASS: 94V-2
- COLOR: BLACK

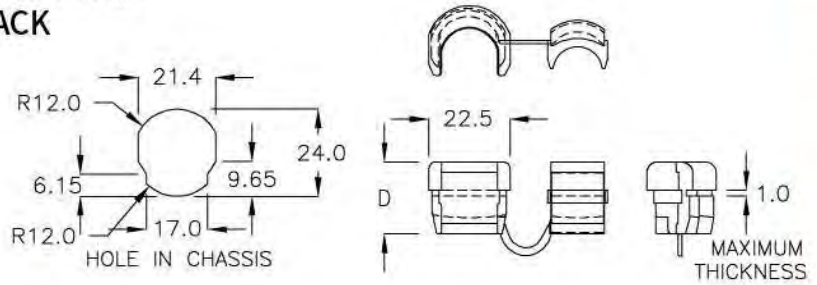


PART NO.	SUITABLE CABLE TYPE & DIMENSIONS OF CHASSIS					UL	PACKAGE
	CROSS SECTION SHAPE	WIRE ACCOMMODATED	SIZE	F MAXIMUM THICKNESS	D PART LENGTH		
7R-7	ROUND	S.P.S	14.0	1.6	17.6	UL	100
7R-7B	ROUND	S.P.S	12.5	1.3	17.5		
7R-7C	ROUND	S.P.S	13.5	1.3	17.6		
7R-7E	ROUND	S.P.S	12.0	1.6	17.7		



電源線扣 STRAIN RELIEF BUSHING ———— 2-3-1

- MATERIAL: NYLON 66(UL)
- FLAME CLASS: 94V-2
- COLOR: BLACK

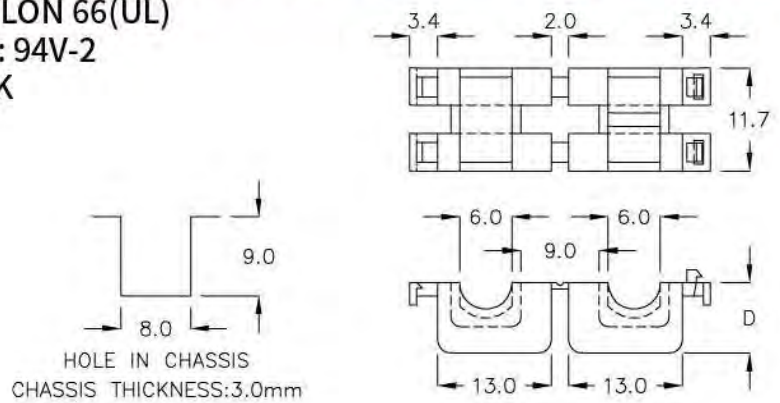


PART NO	D	WIRE ACCOMMODATED	PACKAGE
8R-2QT	19.8	ø15.0	100



電源線扣 STRAIN RELIEF BUSHING ———— 2-3-2

- MATERIAL: NYLON 66(UL)
- FLAME CLASS: 94V-2
- COLOR: BLACK

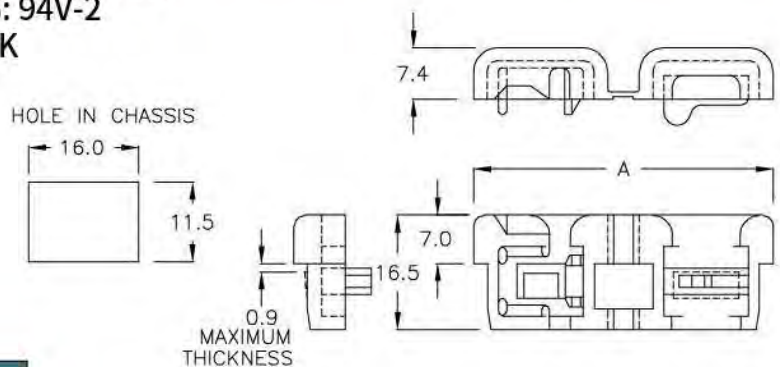


PART NO	D	PACKAGE
5R-1	8.0	200



電源線扣 STRAIN RELIEF BUSHING ———— 2-3-3

- MATERIAL: NYLON 66(UL)
- FLAME CLASS: 94V-2
- COLOR: BLACK

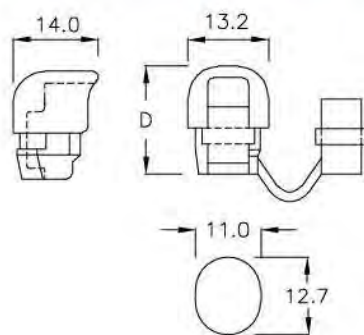


PART NO	A	WIRE ACCOMMODATED	UL	PACKAGE
5RF-5A	42.6	SPT-2	UL	200
5RF-5B	42.8	SPT-2	UL	
5RF-5D	42.8	SPT-2		



電源線扣 STRAIN RELIEF BUSHING ———— 2-4-1

- MATERIAL: NYLON 66(UL)
- FLAME CLASS: 94V-2
- COLOR: BLACK



HOLE IN CHASSIS

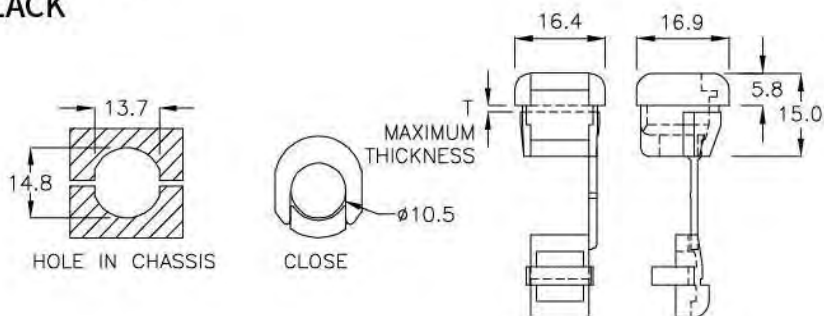


PART NO	WIRE ACCOMMODATED	MAXIMUM THICKNESS	D	UL	PACKAGE
5R-6	SPT-2(3x6.6)	2.5	17.6	UL	200
5R-7	SV(ø6)	2.5	17.7	UL	



電源線扣 STRAIN RELIEF BUSHING ———— 2-4-2

- MATERIAL: NYLON 66(UL)
- FLAME CLASS: 94V-2
- COLOR: BLACK

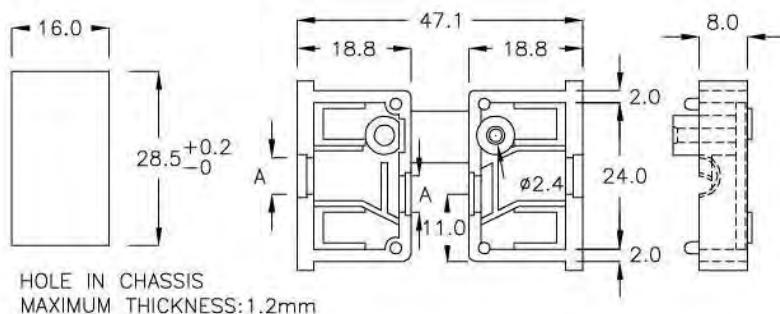


PART NO	MAXIMUM THICKNESS:T	PACKAGE
7R-2D	1.0	100



電源線扣 STRAIN RELIEF BUSHING ———— 2-4-3

- MATERIAL: NYLON 66(UL)
- FLAME CLASS: 94V-2
- COLOR: GRAY,BLACK



HOLE IN CHASSIS
MAXIMUM THICKNESS: 1.2mm

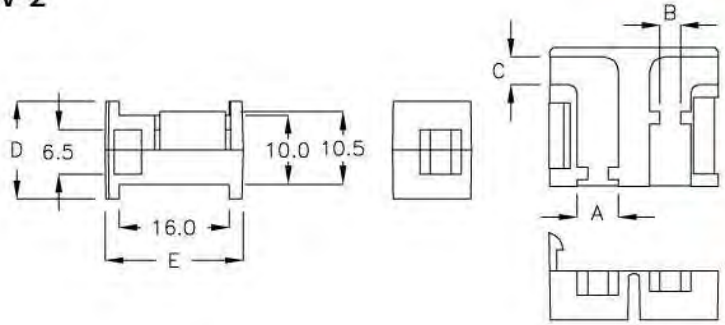
PART NO	A	PACKAGE
6R-9	ø6.0	100
6R-09C	ø8.5	200



電源線扣 STRAIN RELIEF BUSHING

2-5-1

- MATERIAL: NYLON 66(UL)
- FLAME CLASS: 94V-2
- COLOR: BLACK



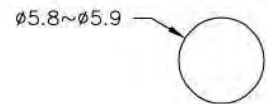
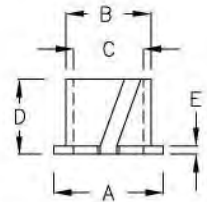
PART NO	A	B	C	D	E	PACKAGE
2RF-25	6.0	3.2	4.0	14.0	20.0	500



保護座 PROTECT HOUSING

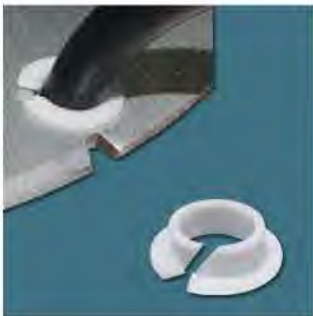
2-5-2

- MATERIAL: NYLON 66(UL)
- FLAME CLASS: 94V-2
- COLOR: NATURAL



HOLE IN CHASSIS

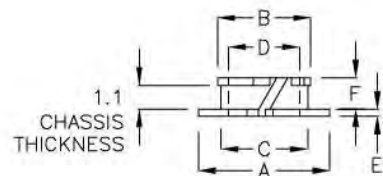
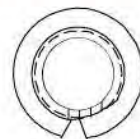
PART NO	A	B	C	D	E	PACKAGE
SG-05	$\phi 8.0$	$\phi 6.2$	$\phi 5.05$	5.4	0.6	2000



保護座 PROTECT HOUSING

2-5-3

- MATERIAL: NYLON 66(UL)
- FLAME CLASS: 94V-0
- COLOR: NATURAL



HOLE IN CHASSIS

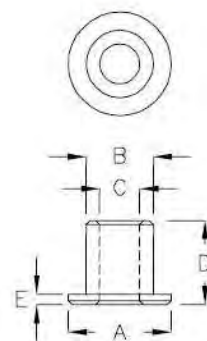
PART NO	A	B	C	D	E	F	PACKAGE
SG-0610A	$\phi 11.0$	$\phi 7.8$	$\phi 7.3$	$\phi 6.0$	0.6	2.6	1000



塞環 BUSHING

- MATERIAL: POM
- COLOR: BLACK

PART NO.	A	B	C	D	E	PACKAGE
SLM-05	∅8.0	∅5.2	∅3.1	6.5	0.8	1000



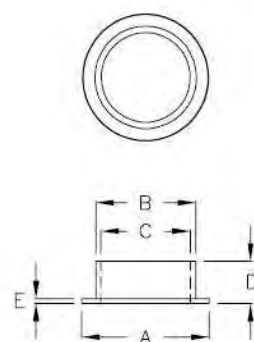
2-6-1



護線環 SNAP BUSHING

- MATERIAL: NYLON 66(UL)
- FLAME CLASS: 94V-2
- COLOR: NATURAL

PART NO.	A	B	C	D	E	PACKAGE
SL-0910	∅12.2	∅9.6	∅8.6	4.0	0.5	1000



2-6-2



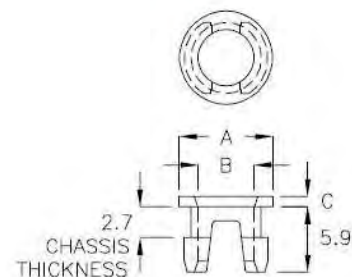
HOLE IN CHASSIS



護線環 SNAP BUSHING

- MATERIAL: NYLON 66(UL)
- FLAME CLASS: 94V-2
- COLOR: BLACK

PART NO.	A	B	C	PACKAGE
SBK-5AQ	8.5	5.1	0.9	1000



2-6-3



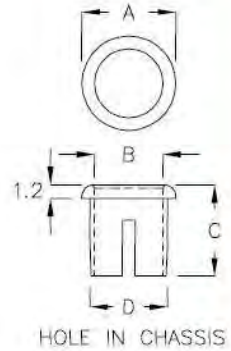
HOLE IN CHASSIS



護線環 SNAP BUSHING

2-7-1

- MATERIAL: NYLON 66(UL)
- FLAME CLASS: 94V-2
- COLOR: NATURAL



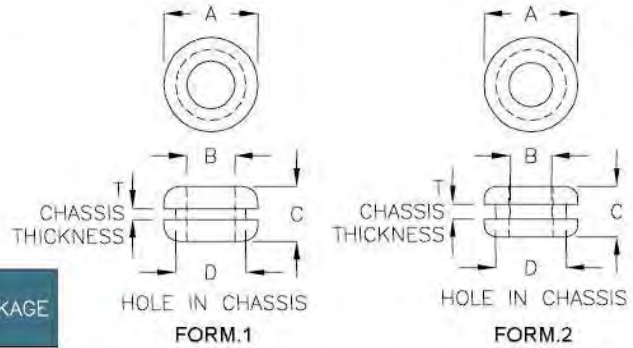
PART NO	A	B	C	D HOLE IN CHASSIS	PACKAGE
SBD-06	ø8.5	ø6.2	8.2	ø7.0	1000



護線環 SNAP BUSHING

2-7-2

- MATERIAL: SILICONE
- FLAME CLASS: 94V-0
- COLOR: BLACK



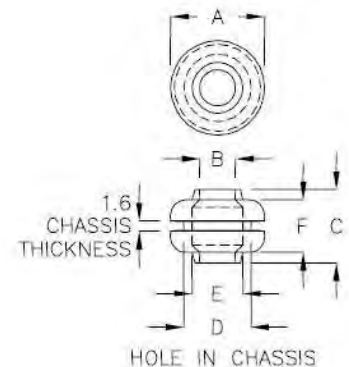
PART NO	A	B	C	D HOLE IN CHASSIS	T CHASSIS THICKNESS	FORM	PACKAGE
WSP-8QN	ø8.8	ø4.4	5.7	ø6.8	1.6	2	1000
WSP-12F	ø12.0	ø6.1	7.0	ø9.0	1.3	1	
WSP-12AC	ø12.8	ø6.8	6.8	ø10.0	1.4	2	2000
WSP-16BK	ø16.0	ø5.4	8.5	ø12.0	2.4	2	1000
WSP-16GR	ø16.0	ø7.1	7.5	ø12.0	1.4	2	
WSP-16C	ø16.0	ø7.1	8.5	ø12.0	2.4	2	
WSP-20K	ø20.0	ø8.2	8.5	ø16.0	2.4	2	500
WSP-20RY	ø20.0	ø6.8	8.5	ø16.0	2.4	2	



護線環 SNAP BUSHING

2-7-3

- MATERIAL: SILICONE
- FLAME CLASS: 94V-0
- COLOR: BLACK



PART NO	A	B	C	D HOLE IN CHASSIS	E	F	PACKAGE
WSZ-9AC	ø9.4	ø3.1	8.5	ø7.0	ø4.8	5.7	1000
WSZ-12KM	ø12.6	ø4.8	9.8	ø8.9	ø6.8	7.0	
WSZ-13BR	ø13.9	ø5.3	9.7	ø10.4	ø7.3	6.9	
WSZ-14A	ø15.5	ø6.6	9.5	ø12.0	ø8.6	6.7	
WSZ-14DX	ø14.2	ø6.2	9.5	ø10.6	ø8.2	6.7	
WSZ-15DZ	ø15.5	ø6.9	9.7	ø12.0	ø8.9	6.9	
WSZ-16AM	ø16.0	ø7.4	9.7	ø12.5	ø9.4	6.9	

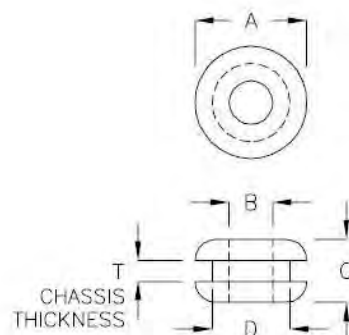


護線環 SNAP BUSHING

2-8-1

- MATERIAL: SILICONE
- COLOR: BLACK

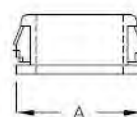
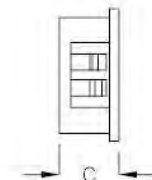
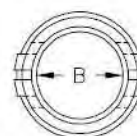
PART NO	A	B	C	D HOLE IN CHASSIS	T CHASSIS THICKNESS	PACKAGE
SB-0603	8.5	3.3	4.5	∅5.3	1.4	2000
SB-0806	10.5	5.5	5.5	∅7.5	1.4	1000
SB-1208	16.0	10.0	8.0	∅12.0	3.0	



護線環 SNAP BUSHING

2-8-2

- MATERIAL: NYLON 66(UL)
- FLAME CLASS: 94V-2
- COLOR: BLACK

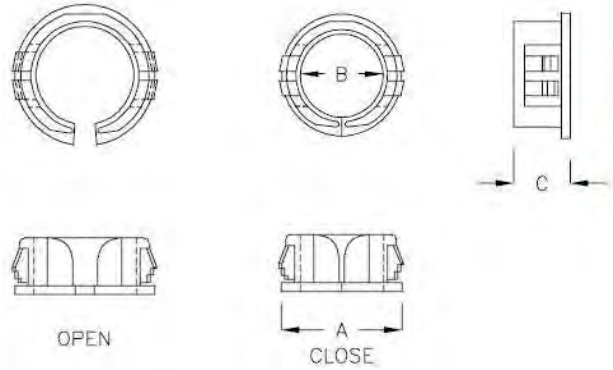

 E88476

PART NO	CHASSIS THICKNESS	HOLE IN CHASSIS	A	B	C	UL	PACKAGE
SB-4757	3.6~6.4	∅57.2	63.1	47.1	18.3		50
SB-3845	1.5~3.2	∅44.5	47.7	35.3	11.6		100
SB-3338K	1.0~3.2	∅38.1	40.9	33.3	11.5		200
SB-3338	6.4	∅38.1	41.2	33.3	14.3		
SB-2634	1.0~2.8	∅34.2	38.0	26.2	11.5	UL	100
SB-2530	1.0~3.1	∅30.0	33.5	25.2	11.5		
SB-2428	1.0~3.3	∅28.0	31.5	24.1	11.3		200
SB-1822	0.9~2.3	∅22.0	24.8	18.2	11.5	UL	
SB-1519	1.0~3.0	∅19.0	21.7	15.3	11.1	UL	500
SB-1316	1.4~3.5	∅16.0	18.0	12.8	10.4	UL	
SB-1316K	0.8~1.8	∅16.0	18.0	12.8	10.4		1000
SB-1013	0.8~3.0	∅13.0	15.3	10.2	9.1	UL	
SB-0710	0.8~1.8	∅10.0	12.1	7.2	6.6	UL	1000
SB-0305	1.6~1.7	∅4.8	6.5	3.2	6.0		



開口式護線環 OPEN CLOSED BUSHING — 2-9-1 |

- MATERIAL: NYLON 66(UL)
- FLAME CLASS: 94V-2
- COLOR: BLACK



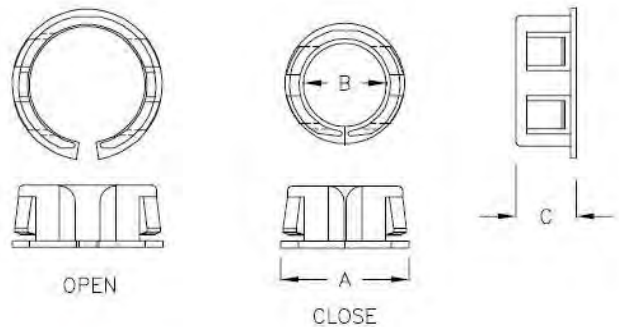
E88476

PART NO	CHASSIS THICKNESS	HOLE IN CHASSIS	A	B	C	UL	PACKAGE
SB-1822A	1.0~3.5	∅22.0	24.8	17.3	11.5	UL	200
SB-1922A	0.8~1.2	∅22.0	25.0	19.0	7.4		500
SB-1720A	0.8~1.0	∅20.0	23.5	17.0	7.2		
SB-1519A	1.2~3.3	∅19.0	20.6	14.4	11.0	UL	200
SB-1316A	1.2~3.5	∅16.0	18.0	10.5	10.5	UL	500
SB-1216A	0.7~3.3	∅16.0	18.6	12.3	10.0	UL	
SB-1013A	0.8~3.5	∅13.0	14.9	9.0	10.5	UL	
SB-0609A	0.7~1.7	∅9.5	11.4	6.6	6.5	UL	1000



開口式護線環 OPEN CLOSED BUSHING — 2-9-2 |

- MATERIAL: NYLON 66(UL)
- FLAME CLASS: 94V-2
- COLOR: BLACK



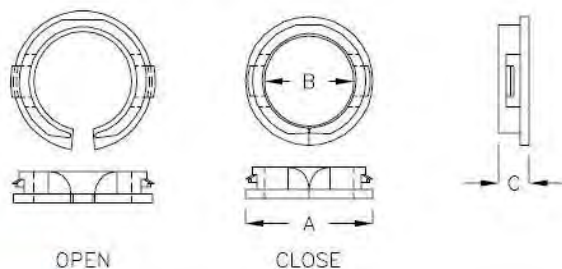
E88476

PART NO	CHASSIS THICKNESS	HOLE IN CHASSIS	A	B	C	UL	PACKAGE
SB-2126A	0.8~1.2	∅25.4~25.6	28.0	21.1	8.0		500
SB-2024A	0.8~1.2	∅24.0	26.4	20.0	11.3	UL	
SB-2228A	0.8~1.2	∅27.8	28.8	22.0	9.0		200



開口式護線環 OPEN CLOSED BUSHING — 2-10-1 |

- MATERIAL: NYLON 66(UL)
- FLAME CLASS: 94V-2
- COLOR: BLACK

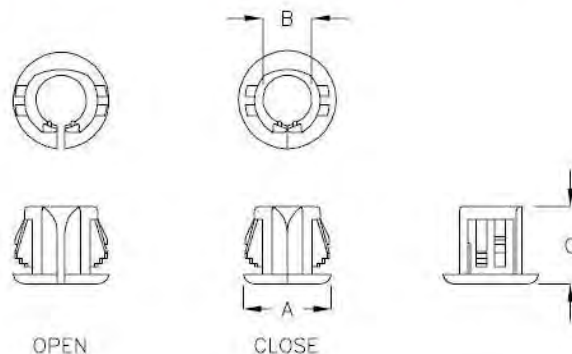


PART NO	A	B	C	CHASSIS THICKNESS	HOLE IN CHASSIS	UL	PACKAGE
SA-0204K	ø5.1	ø2.8	5.0	0.7~0.9	ø4.5		1000
SA-0407A	ø9.8	ø4.8	5.0	0.7~0.9	ø6.8~ø7.0	UL	
SA-0407T	ø9.8	ø4.8	5.2	0.4~1.0	ø6.8~ø7.0		
SA-1013C	ø15.5	ø9.6	5.9	1.9~2.0	ø13.0		500
SA-1013A	ø15.5	ø9.6	5.4	1.0~1.5	ø13.0	UL	
SA-1316A	ø18.4	ø12.5	5.4	1.0~1.4	ø16.0		
SA-1317Q	ø19.5	ø13.5	5.9	1.8~2.0	ø17.0		
SA-1519A	ø21.8	ø14.9	5.7	0.8~1.0	ø19.0		
SA-1822A	ø24.6	ø17.6	5.6	0.8~1.0	ø22.0	UL	
SA-2024A1	ø26.0	ø20.0	5.4	0.8~1.0	ø24.0		200
SA-2024A	ø26.0	ø20.0	5.3	1.0~1.2	ø24.0		
SA-2327A	ø30.6	ø23.0	6.0	0.4~1.0	ø27.0~ø27.2		

開口式護線環 OPEN CLOSED BUSHING — 2-10-2 |



- MATERIAL: NYLON 66(UL)
- FLAME CLASS: 94V-2
- COLOR: BLACK



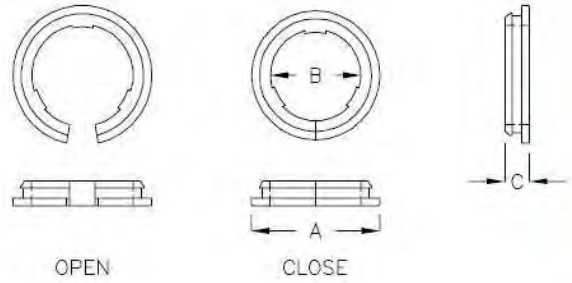
PART NO	A	B	C	CHASSIS THICKNESS	HOLE IN CHASSIS	PACKAGE
SB-0609C	ø11.8	ø6.1	9.8	1.0~3.5	ø9.5	1000



開口式護線環 OPEN CLOSED BUSHING — 2-11-1 |

- MATERIAL: NYLON 66(UL)
- FLAME CLASS: 94V-2
- COLOR: BLACK

NEW

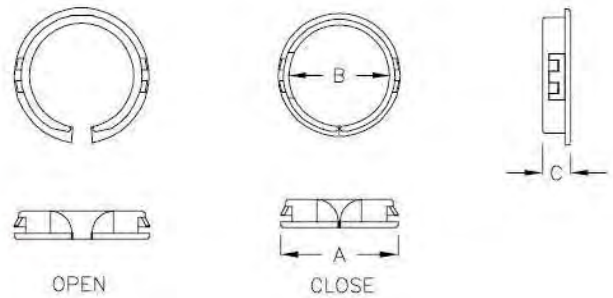


PART NO	A	B	C	CHASSIS THICKNESS	HOLE IN CHASSIS	PACKAGE
★ SYB-1316C	∅19.2	∅13.0	3.5	1.0	∅16.0	500



開口式護線環 OPEN CLOSED BUSHING — 2-11-2 |

- MATERIAL: NYLON 66(UL)
- FLAME CLASS: 94V-2
- COLOR: BLACK

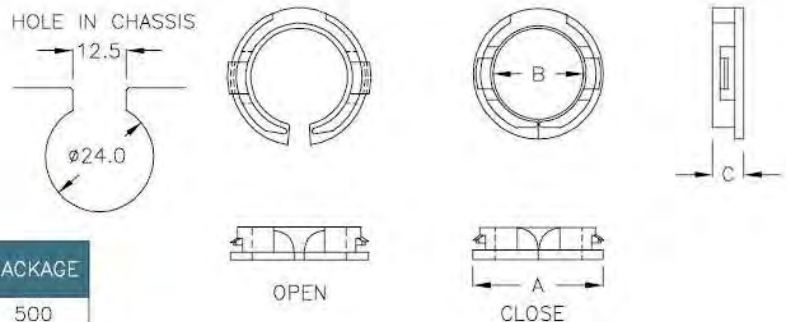


PART NO	CHASSIS THICKNESS	HOLE IN CHASSIS	A	B	C	PACKAGE
SY-2832A	0.8~1.4	∅32.0	35.1	28.2	6.7	200



開口式護線環 OPEN CLOSED BUSHING — 2-11-3 |

- MATERIAL: NYLON 66(UL)
- FLAME CLASS: 94V-2
- COLOR: BLACK

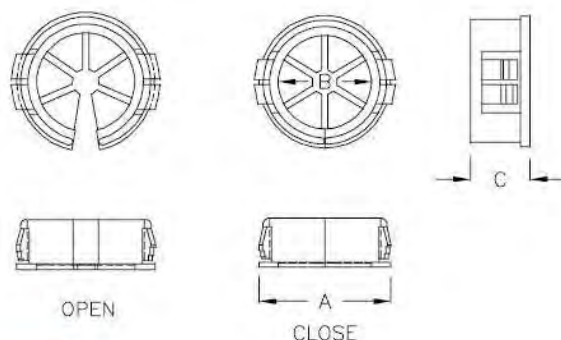


PART NO	MAXIMUM THICKNESS	A	B	C	PACKAGE
SA-2024C	0.8~1.1	26.0	20.0	5.3	500



開口式護線環 OPEN CLOSED BUSHING — 2-12-1 |

- MATERIAL: NYLON 66(UL)
- FLAME CLASS: 94V-2
- COLOR: BLACK

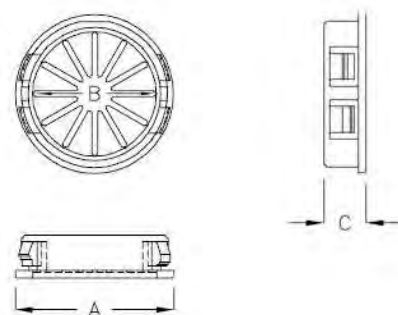


PART NO	MAXIMUM THICKNESS	HOLE IN CHASSIS	A	B	C	PACKAGE
SC-2128A	0.8~3.0	∅27.8~∅28.0	29.5	20.7	11.5	200
SC-1926A	0.8~3.0	∅25.4~∅25.5	27.0	19.0	11.5	
SC-1926C	0.8~1.0	∅25.4~∅25.5	27.0	19.0	5.3	500
SC-1422A	0.8~3.0	∅22.2~∅22.4	23.8	14.6	11.5	
SC-1319A	0.8~3.0	∅19.0~∅19.1	21.8	14.1	9.9	



護線環 SNAP BUSHING — 2-12-2 |

- MATERIAL: NYLON 66(UL)
- FLAME CLASS: 94V-2
- COLOR: BLACK

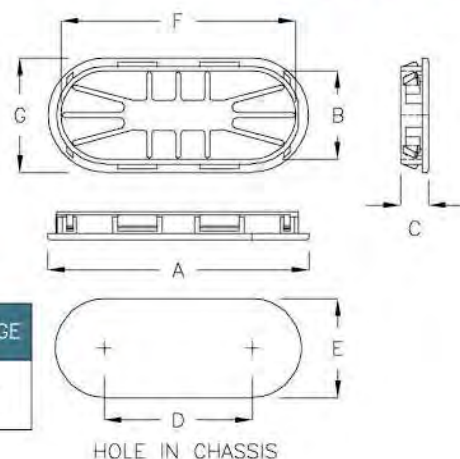


PART NO	CHASSIS THICKNESS	HOLE IN CHASSIS	A	B	C	PACKAGE
SS-3238	1.2~3.2	∅38.1~∅38.2	41.0	32.0	11.0	200



護線環 SNAP BUSHING — 2-12-3 |

- MATERIAL: NYLON 66(UL)
- FLAME CLASS: 94V-2
- COLOR: BLACK



PART NO	CHASSIS THICKNESS	A	B	C	D	E	G	F	PACKAGE
SSK-7175	1.2	79.4	26.7	8.5	45.0	30.0	34.7	71.4	100
SSK-106110	1.2	115.4	46.7	8.5	60.0	50.0	55.7	106.4	

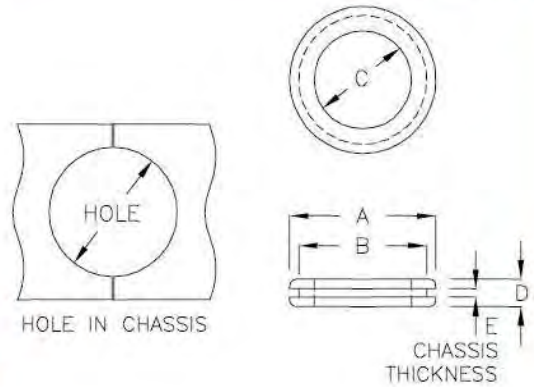
HOLE IN CHASSIS



護線環 SNAP BUSHING

2-13-1

- MATERIAL: NYLON 66(UL)
- FLAME CLASS: 94V-2
- COLOR: BLACK



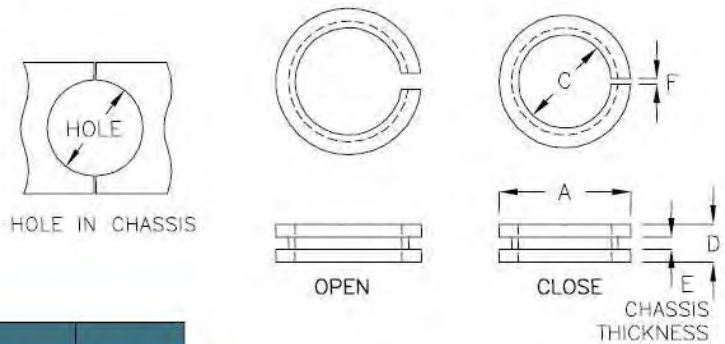
PART NO	HOLE IN CHASSIS	A	B	C	D	E CHASSIS THICKNESS	PACKAGE
SB-2114	∅18.0	∅21.2	∅18.0	∅14.1	4.0	1.0	1000



開口式護線環 OPEN CLOSED BUSHING

2-13-2

- MATERIAL: NYLON 66(UL)
- FLAME CLASS: 94V-2
- COLOR: BLACK



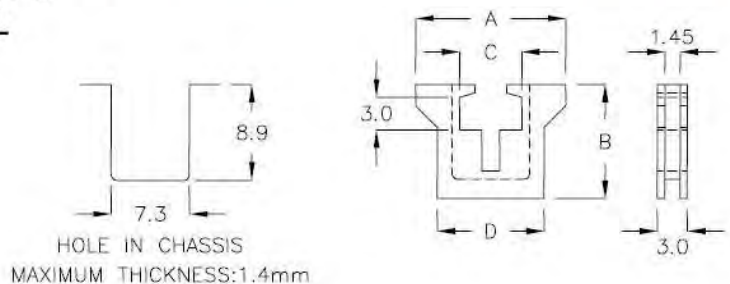
PART NO	HOLE IN CHASSIS	A	C	D	E CHASSIS THICKNESS	F	PACKAGE
SB-1223A	∅19.0	22.0	11.9	4.8	1.1	1.2~2.3	500
SB-1318A	∅14.8	18.0	12.8	6.1	2.2	0.7~1.3	
SB-1420A	∅16.0	18.9	13.6	3.65	1.5	0.3~0.8	



方型護線環 EDGE SADDLE

2-13-3

- MATERIAL: NYLON 66(UL)
- FLAME CLASS: 94V-2
- COLOR: NATURAL



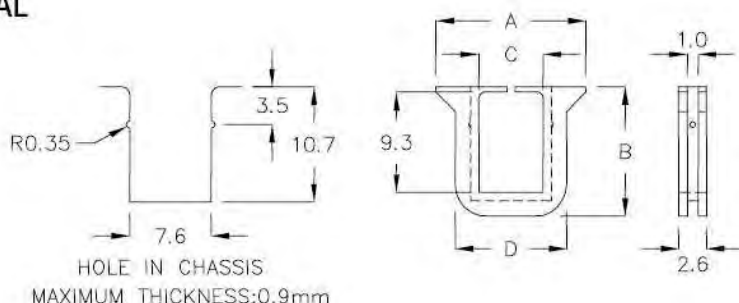
PART NO	A	B	C	D	PACKAGE
DS-7	14.0	10.65	5.8	10.0	1000



方型護線環 EDGE SADDLE ————— 2-14-1

- MATERIAL: NYLON 66(UL)
- FLAME CLASS: 94V-2
- COLOR: NATURAL

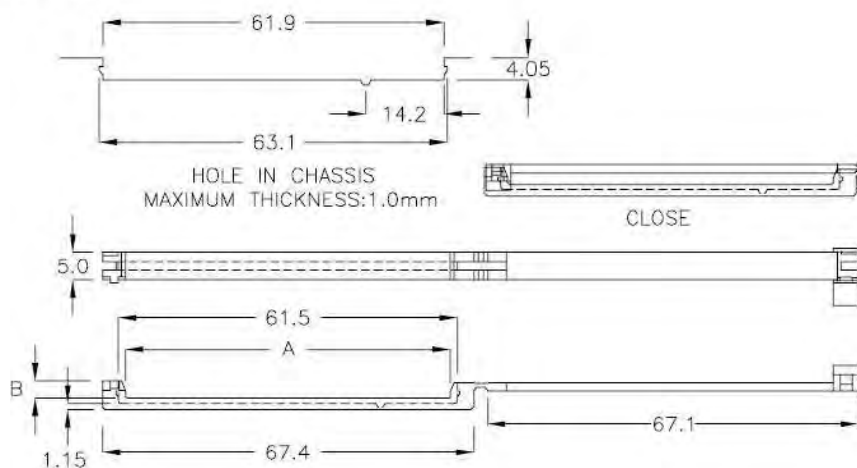
PART NO	A	B	C	D	PACKAGE
DS-8	14.0	12.0	6.0	10.4	2000



方型護線環 EDGE SADDLE ————— 2-14-2

- MATERIAL: NYLON 66(UL)
- FLAME CLASS: 94V-2
- COLOR: BLACK

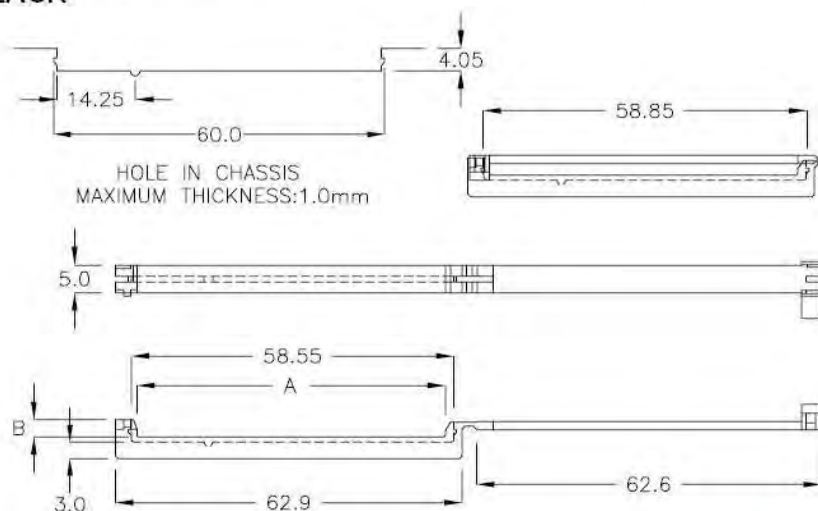
PART NO	A	B	PACKAGE
DDS-02	59.0	3.1	200



方型護線環 EDGE SADDLE ————— 2-14-3

- MATERIAL: NYLON 66(UL)
- FLAME CLASS: 94V-2
- COLOR: BLACK

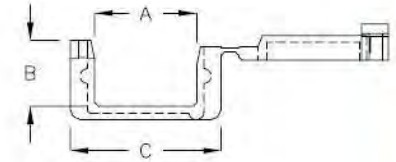
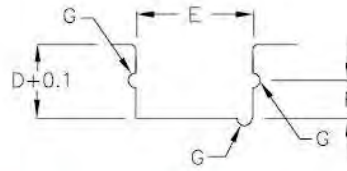
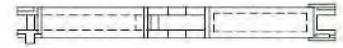
PART NO	A	B	PACKAGE
DDS-03	56.0	3.1	200





方型護線環 EDGE SADDLE | 2-15-1 |

- MATERIAL: NYLON 66(UL)
- FLAME CLASS: 94V-2
- COLOR: BLACK



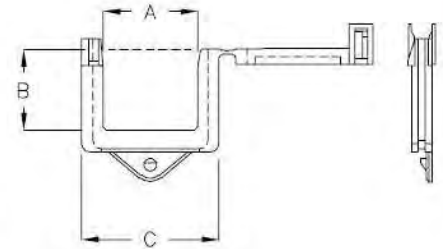
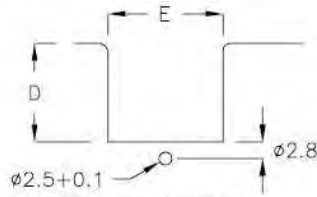
HOLE IN CHASSIS

PART NO	A	B	C	D	E	F	G	MAXIMUM THICKNESS	PACKAGE
DDS-01	17.4	11.2	25.8	12.6	20.0	6.3	R1.4	2.1	500
DDS-06	28.0	6.6	36.6	9.0	31.0	3.3	R1.35	2.0	200



方型護線環 EDGE SADDLE | 2-15-2 |

- MATERIAL: NYLON 66(UL)
- FLAME CLASS: 94V-2
- COLOR: BLACK



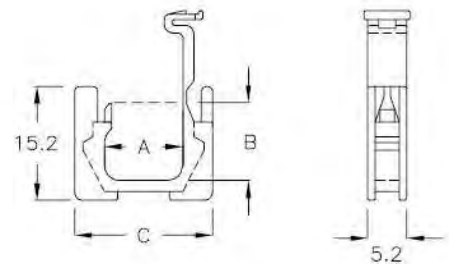
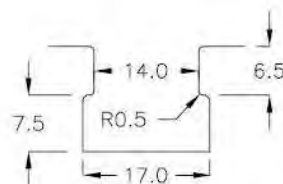
HOLE IN CHASSIS
CHASSIS THICKNESS:1.0mm

PART NO	A	B	C	D	E	PACKAGE
DDS-17	17.0	14.4	24.6	21.0	21.0	200
DDS-22	22.4	21.3	30.6	29.0	27.1	



方型護線環 EDGE SADDLE | 2-15-3 |

- MATERIAL: NYLON 66(UL)
- FLAME CLASS: 94V-2
- COLOR: NATURAL



HOLE IN CHASSIS:
CHASSIS THICKNESS:0.8~3.2mm

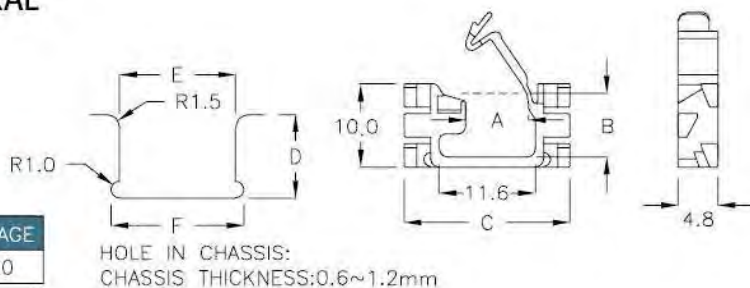
PART NO	A	B	C	PACKAGE
DSF-10A	10.5	10.8	18.5	500



方型護線環 EDGE SADDLE 2-16-1

- MATERIAL: NYLON 66(UL)
- FLAME CLASS: 94V-2
- COLOR: NATURAL

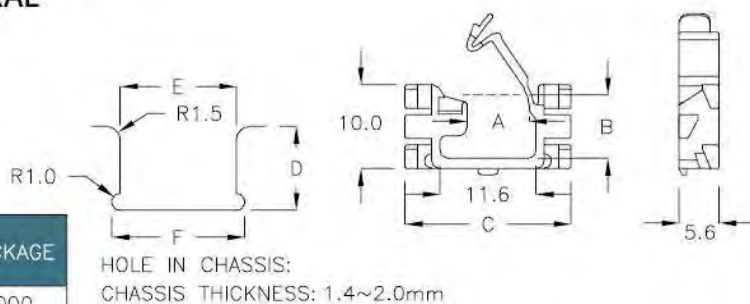
PART NO	A	B	C	D	E	F	PACKAGE
DSW-11A	7.6	7.7	20.0	10.0	14.0	16.0	1000



方型護線環 EDGE SADDLE 2-16-2

- MATERIAL: NYLON 66(UL)
- FLAME CLASS: 94V-2
- COLOR: NATURAL

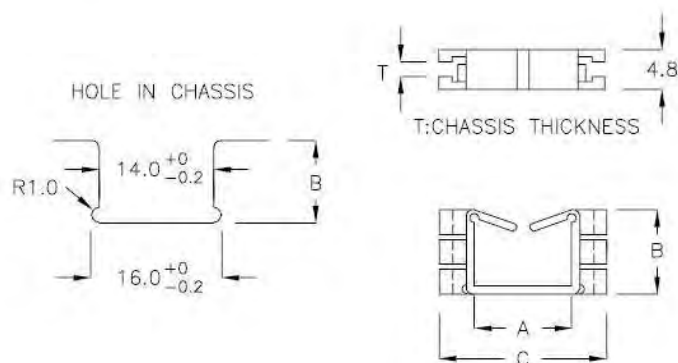
PART NO	A	B	C	D	E	F	PACKAGE
DSW-11MQ	7.6	7.7	20.0	10.0	14.0	16.0	1000



方型護線環 EDGE SADDLE 2-16-3

- MATERIAL: NYLON 66(UL)
- FLAME CLASS: 94V-2
- COLOR: BLACK

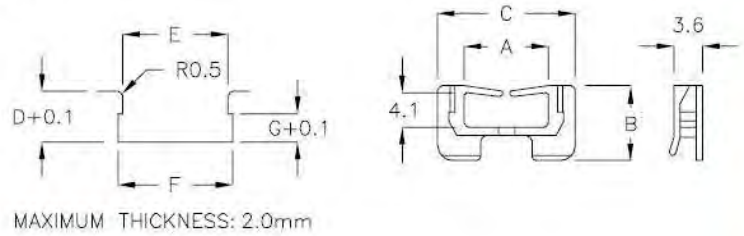
PART NO	A	B	C	T	PACKAGE
DS-1	12.0	10.0	20.2	0.9	1000
DS-3	12.0	10.0	20.2	1.9	





方型護線環 EDGE SADDLE | 2-17-1 |

- MATERIAL: NYLON 66(UL)
- FLAME CLASS: 94V-0
- COLOR: NATURAL

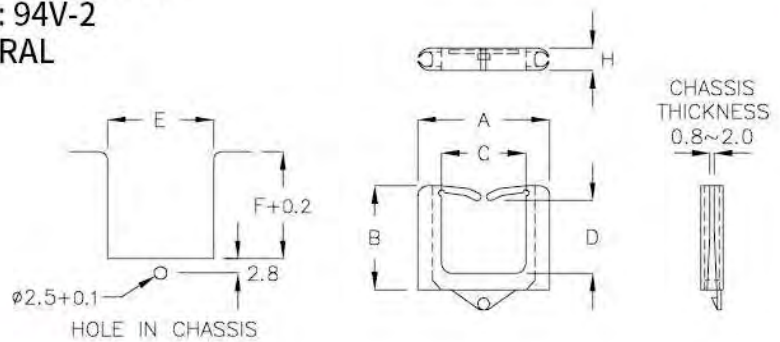


PART NO	A	B	C	D	E	F	G	PACKAGE
DS-02S	5.2	8.5	11.5	6.1	8.1	9.1	3.6	2000
DS-2	10.2	9.1	16.9	6.1	12.8	13.8	3.4	1000



方型護線環 EDGE SADDLE | 2-17-2 |

- MATERIAL: NYLON 66(UL)
- FLAME CLASS: 94V-2
- COLOR: NATURAL

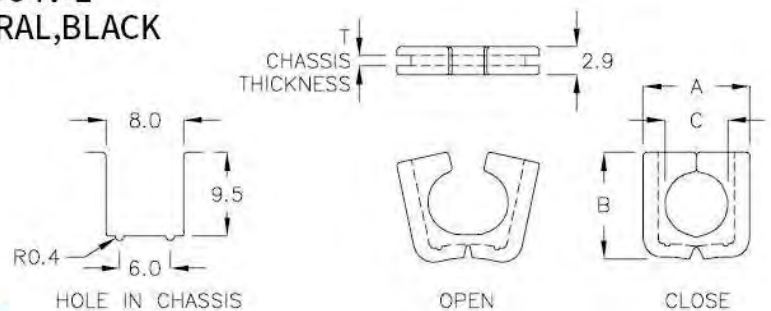


PART NO	A	B	C	D	E	F	H	PACKAGE
DS-11A	25.0	12.5	11.5	6.2	$13.6^{+0.1}_0$	12.5	7.1	1000
DS-12	19.8	12.1	11.5	7.2	$14.0^{+0.1}_0$	12.3	4.7	
DS-16TR	26.0	21.0	17.0	14.6	$21.0^{+0.2}_0$	21.0	4.6	500
DS-23	33.1	29.2	22.4	21.8	$27.0^{+0.2}_0$	29.0	4.7	



方型護線環 EDGE SADDLE | 2-17-3 |

- MATERIAL: NYLON 66(UL)
- FLAME CLASS: 94V-2
- COLOR: NATURAL, BLACK



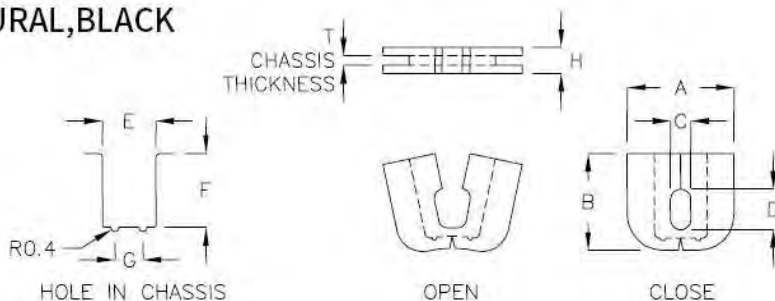
PART NO	A	B	C	T CHASSIS THICKNESS	PACKAGE
DS-4RT	11.0	10.9	$\phi 6.6$	0.7~0.8	1000



方型護線環 EDGE SADDLE

2-18-1

- MATERIAL: NYLON 66(UL)
- FLAME CLASS: 94V-2
- COLOR: NATURAL, BLACK



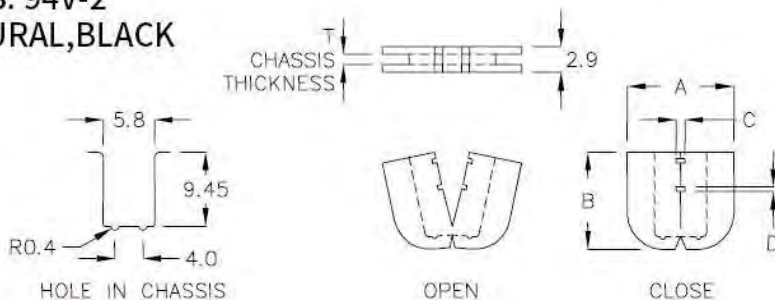
PART NO	A	B	C	D	E	F	G	H	R	T CHASSIS THICKNESS	PACKAGE
DS-04K	12.0	10.9	2.3	4.56	6.05	9.45	4.0	2.9	R0.4	0.8~1.0	1000
DS-4WY	12.5	11.5	2.4	4.8	7.2	10.3	4.35	2.5	R0.3	0.5~0.6	
DS-4KJ	12.0	10.9	2.6	5.2	6.05	9.45	4.0	2.9	R0.4	0.8~1.0	
DS-4YL	12.0	10.9	3.0	6.0	5.9	9.7	4.0	2.9	R0.5	0.8~1.0	
DS-4FR	16.0	10.9	2.65	5.3	9.9	9.7	8.0	2.9	R0.5	0.8~1.0	



方型護線環 EDGE SADDLE

2-18-2

- MATERIAL: NYLON 66(UL)
- FLAME CLASS: 94V-2
- COLOR: NATURAL, BLACK



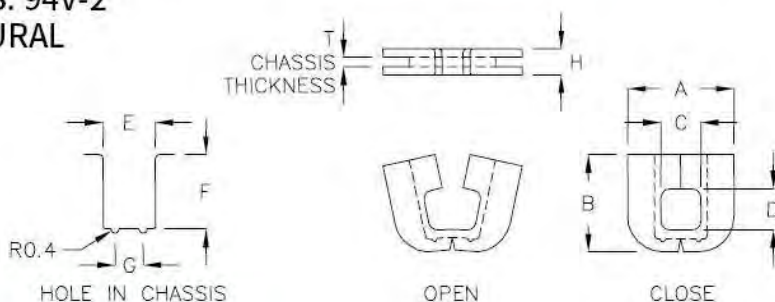
PART NO	A	B	C	D	T CHASSIS THICKNESS	PACKAGE
DS-04P	12.0	10.85	1.0	0.5	0.8~1.0	1000



方型護線環 EDGE SADDLE

2-18-3

- MATERIAL: NYLON 66(UL)
- FLAME CLASS: 94V-2
- COLOR: NATURAL

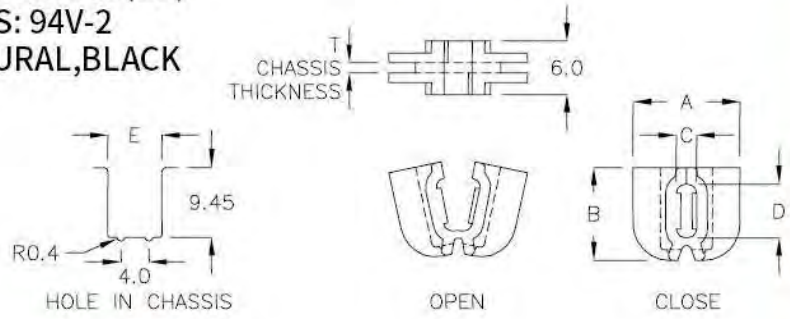


PART NO	A	B	C	D	E	F	G	H	T CHASSIS THICKNESS	PACKAGE
DS-04Q	12.0	10.9	4.6	4.6	5.9	9.45	4.0	2.9	0.8~1.0	1000
DS-04F	12.0	10.9	4.6	7.0	6.0	9.45	4.0	2.9	0.8~1.0	
DS-04R	12.0	10.9	6.5	7.0	8.0	9.5	6.0	2.9	0.8~1.0	
DS-4FA	12.0	10.9	4.5	7.0	6.1	9.45	4.0	2.9	0.4~0.6	
DS-4GL	13.3	10.9	6.9	7.0	8.3	9.5	6.3	3.0	0.6~0.8	
DS-06	14.6	8.8	7.0	4.6	8.3	7.4	6.4	2.9	0.8~1.0	



方型護線環 EDGE SADDLE ————— | 2-19-1 |

- MATERIAL: NYLON 66(UL)
- FLAME CLASS: 94V-2
- COLOR: NATURAL, BLACK

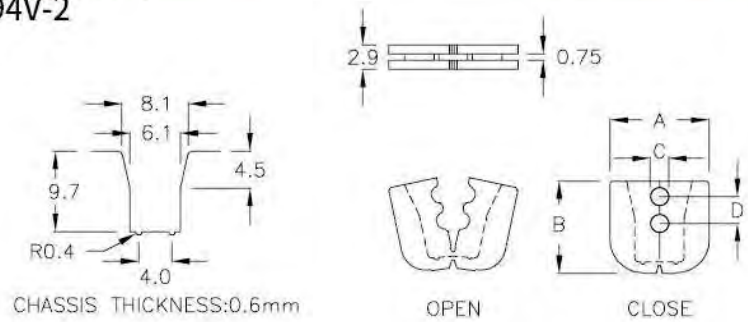


PART NO	A	B	C	D	E	T CHASSIS THICKNESS	PACKAGE
DS-04H	12.0	10.35	2.3	6.05	6.05	0.8~1.0	1000
DS-04J	12.0	10.4	4.6	4.6	6.0	0.8~1.0	
DS-04L	12.0	10.4	2.44	4.7	6.0	0.8~1.0	



方型護線環 EDGE SADDLE ————— | 2-19-2 |

- MATERIAL: NYLON 66(UL)
- FLAME CLASS: 94V-2
- COLOR: BLACK

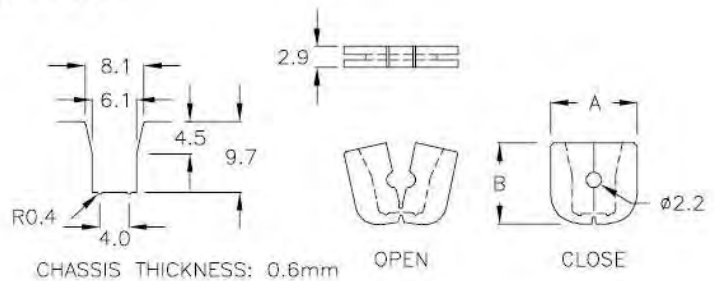


PART NO	A	B	C	D	PACKAGE
DS-4AD	12.0	11.1	∅2.2	3.2	1000



方型護線環 EDGE SADDLE ————— | 2-19-3 |

- MATERIAL: NYLON 66(UL)
- FLAME CLASS: 94V-2
- COLOR: NATURAL, BLACK



PART NO	A	B	PACKAGE
DS-4MP	12.0	11.1	1000

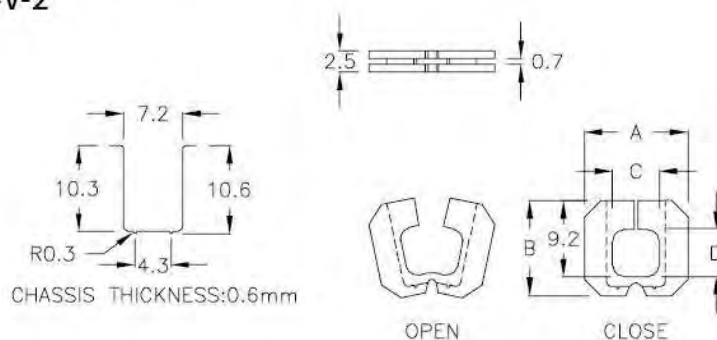


方型護線環 EDGE SADDLE

2-20-1

- MATERIAL: NYLON 66(UL)
- FLAME CLASS: 94V-2
- COLOR: BLACK

PART NO	A	B	C	D	PACKAGE
DS-4CF	12.5	11.5	4.3	6.5	1000
DS-4DG	12.5	11.5	4.3	4.3	
DS-4HQ	12.5	11.5	4.3	2.15	

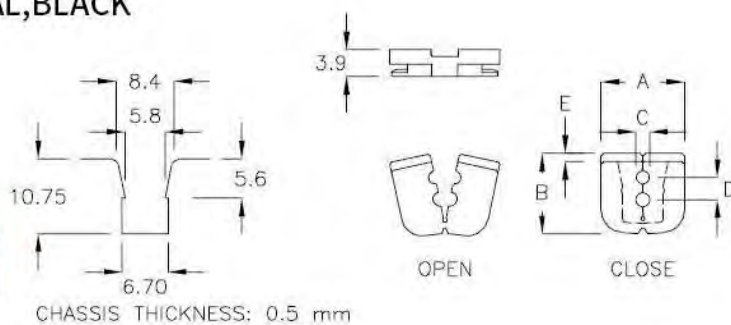


方型護線環 EDGE SADDLE

2-20-2

- MATERIAL: NYLON 66(UL)
- FLAME CLASS: 94V-2
- COLOR: NATURAL, BLACK

PART NO	A	B	C	D	E	PACKAGE
DSH-12K	12.2	11.55	∅2.1	3.2	1.2	1000

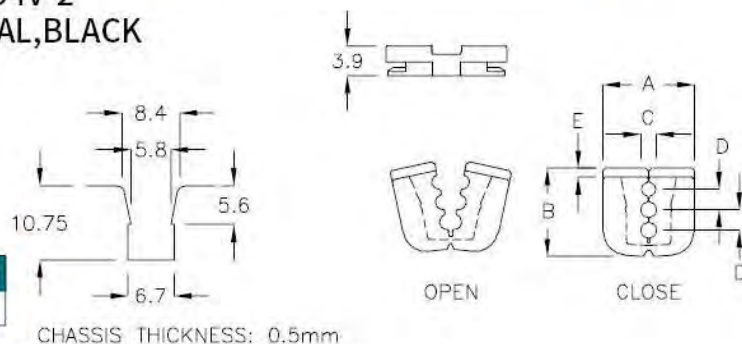


方型護線環 EDGE SADDLE

2-20-3

- MATERIAL: NYLON 66(UL)
- FLAME CLASS: 94V-2
- COLOR: NATURAL, BLACK

PART NO	A	B	C	D	E	PACKAGE
DSH-12HM	12.2	11.55	∅2.1	2.6	1.2	1000



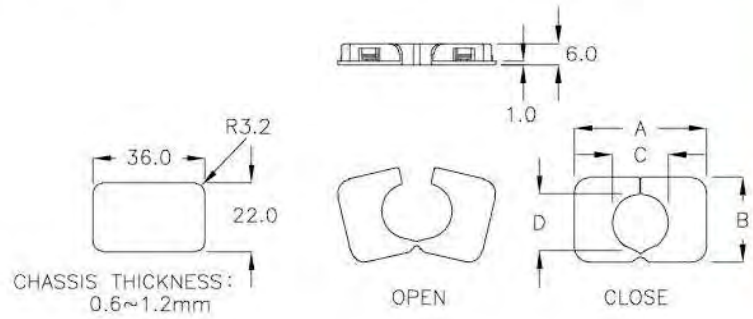


方型護線環 EDGE SADDLE

2-21-1

- MATERIAL: NYLON 66(UL)
- FLAME CLASS: 94V-2
- COLOR: BLACK

PART NO	A	B	C	D	PACKAGE
SAQ-16	37.8	24.0	16.0	16.0	200

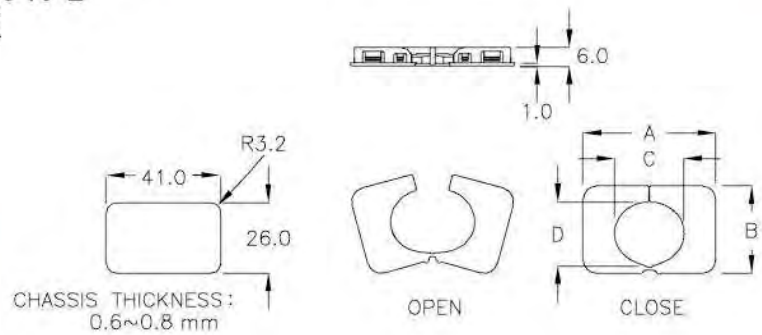


方型護線環 EDGE SADDLE

2-21-2

- MATERIAL: NYLON 66(UL)
- FLAME CLASS: 94V-2
- COLOR: BLACK

PART NO	A	B	C	D	PACKAGE
SAQ-20A	42.8	28.0	22.0	20.0	200

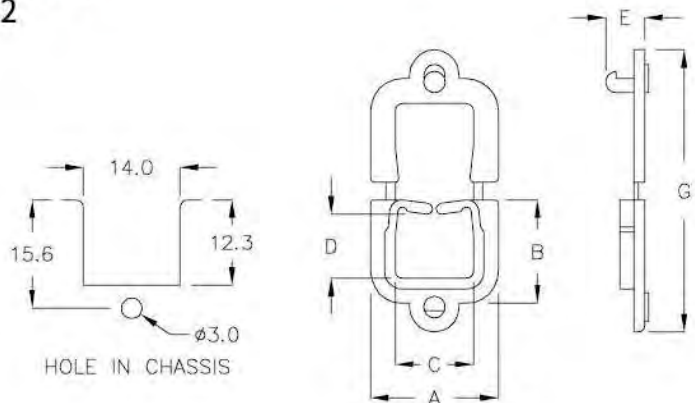


方型護線環 EDGE SADDLE

2-21-3

- MATERIAL: NYLON 66(UL)
- FLAME CLASS: 94V-2
- COLOR: BLACK

PART NO	A	B	C	D	E	G	MAXIMUM THICKNESS	PACKAGE
DS-10A	18.0	14.45	10.8	8.9	6.7	42.0	2.2	500
DS-10	18.5	14.5	11.0	8.6	6.0	40.1	1.6	
DS-10S	18.6	14.7	11.0	8.7	4.2	40.3	0.7	

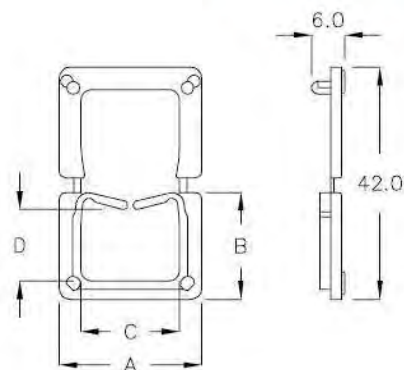
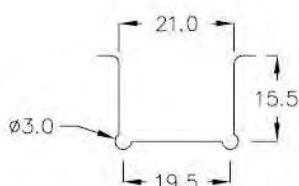




方型護線環 EDGE SADDLE

2-22-1

- MATERIAL: NYLON 66(UL)
- FLAME CLASS: 94V-2
- COLOR: BLACK



HOLE IN CHASSIS
MAXIMUM THICKNESS: 2.0mm

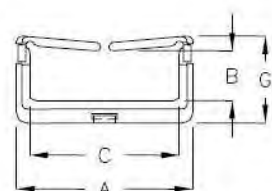
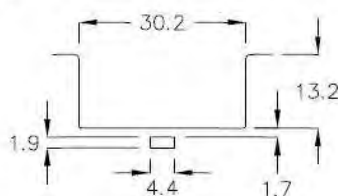
PART NO	A	B	C	D	PACKAGE
DS-14	26.2	20.0	18.0	12.8	500



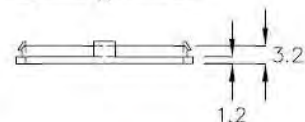
方型護線環 EDGE SADDLE

2-22-2

- MATERIAL: NYLON 66(UL)
- FLAME CLASS: 94V-2
- COLOR: BLACK



HOLE IN CHASSIS
CHASSIS THICKNESS: 1.0mm



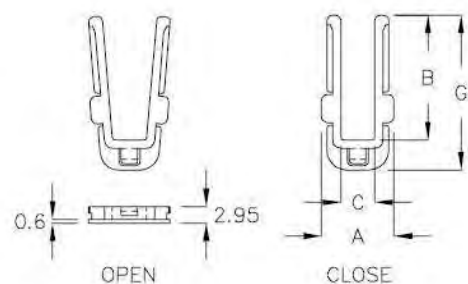
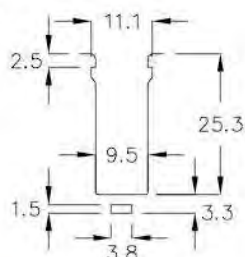
PART NO	A	B	C	G	PACKAGE
DS-27	32.0	9.0	27.0	15.6	500



方型護線環 EDGE SADDLE

2-22-3

- MATERIAL: NYLON 66(UL)
- FLAME CLASS: 94V-0
- COLOR: BLACK



HOLE IN CHASSIS
CHASSIS THICKNESS: 1.0mm

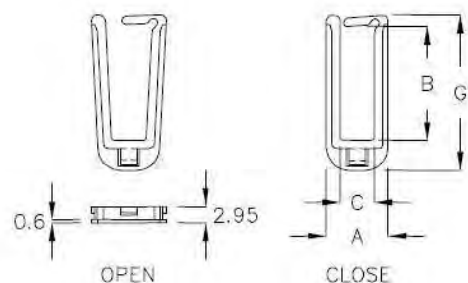
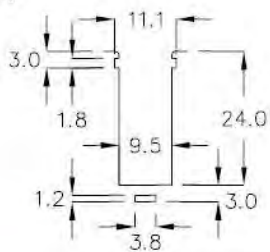
PART NO	A	B	C	G	PACKAGE
★ DSC-6FN	12.7	22.5	6.2	28.0	500



方型護線環 EDGE SADDLE

2-22-4

- MATERIAL: NYLON 66(UL)
- FLAME CLASS: 94V-2
- COLOR: BLACK



HOLE IN CHASSIS
CHASSIS THICKNESS: 1.0mm

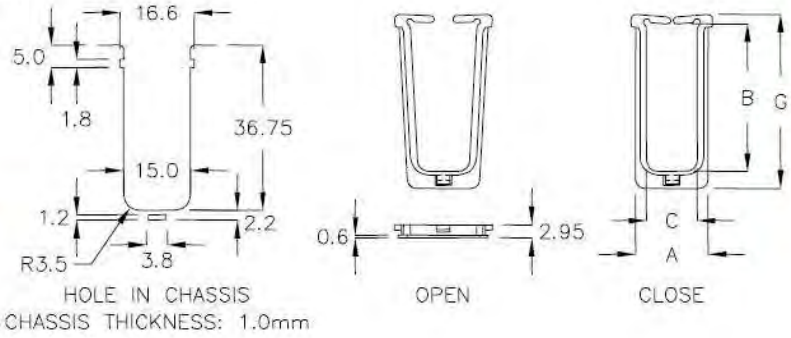
PART NO	A	B	C	G	PACKAGE
DSC-6GM	11.1	20.0	6.3	27.8	500



方型護線環 EDGE SADDLE

2-23-1

- MATERIAL: NYLON 66(UL)
- FLAME CLASS: 94V-2
- COLOR: BLACK



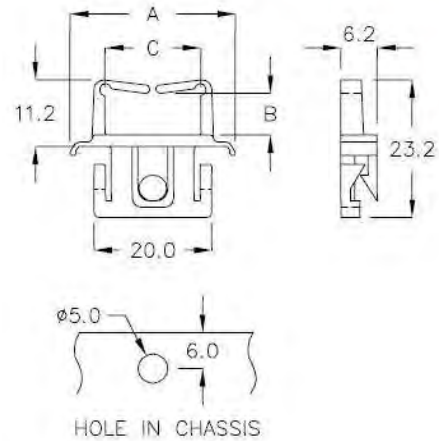
PART NO	A	B	C	G	PACKAGE
DSC-12NT	16.4	32.7	11.8	38.7	500



方型護線環 EDGE SADDLE

2-23-2

- MATERIAL: NYLON 66(UL)
- FLAME CLASS: 94V-2
- COLOR: NATURAL



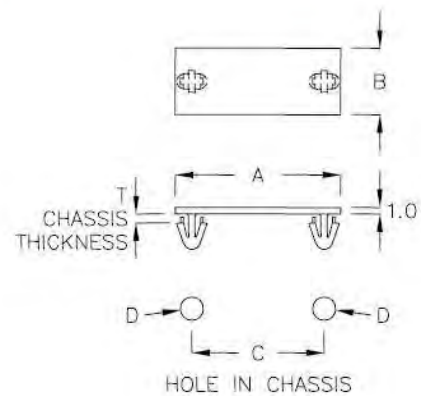
PART NO	A	B	C	T CHASSIS THICKNESS	PACKAGE
CT-16	27.9	6.8	16.0	2.0	500



保護蓋 HOLE PROTECT COVER

2-23-3

- MATERIAL: NYLON 66(UL)
- FLAME CLASS: 94V-2
- COLOR: NATURAL



PART NO	A	B	C	D	T CHASSIS THICKNESS	PACKAGE
BH-8	25.0	10.0	20.0	∅3.2	1.0	1000
BH-9	46.0	12.0	34.0	∅3.5	0.8	
BH-10	35.0	16.0	25.0	∅3.1	1.6	
BH-10A	35.0	16.0	25.0	∅3.1	2.6	
BH-10C	42.0	16.0	32.0	∅3.2	3.6	200
BH-51A	51.0	10.0	46.0	∅3.2	0.8	

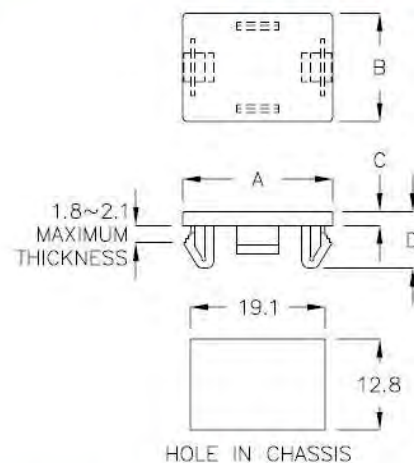


保護蓋 HOLE PROTECT COVER

2-24-1

- MATERIAL: NYLON 66(UL)
- FLAME CLASS: 94V-2
- COLOR: BLACK

PART NO	A	B	C	D	PACKAGE
BHA-03	21.3	15.2	2.0	8.0	500

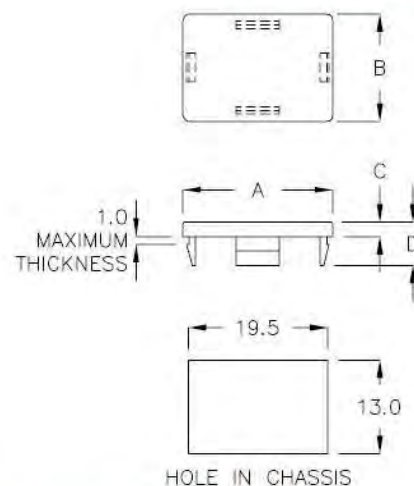


保護蓋 HOLE PROTECT COVER

2-24-2

- MATERIAL: NYLON 66(UL)
- FLAME CLASS: 94V-2
- COLOR: BLACK

PART NO	A	B	C	D	PACKAGE
BHA-01	21.0	15.0	2.0	6.0	500

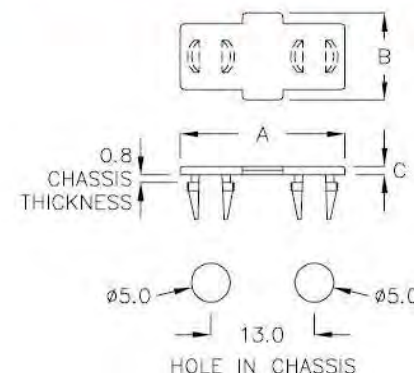


保護蓋 HOLE PROTECT COVER

2-24-3

- MATERIAL: NYLON 66(UL)
- FLAME CLASS: 94V-2
- COLOR: NATURAL

PART NO	A	B	C	PACKAGE
BH-011	20.3	10.6	1.0	1000

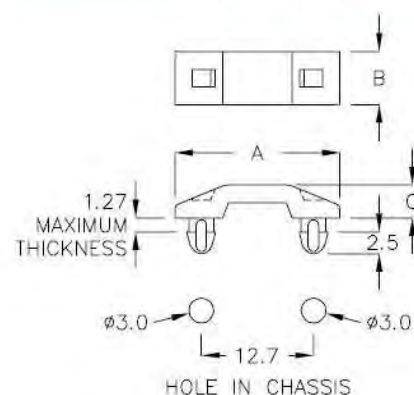


保護蓋 HOLE PROTECT COVER

2-24-4

- MATERIAL: NYLON 66(UL)
- FLAME CLASS: 94V-2
- COLOR: BLACK, NATURAL

PART NO	A	B	C	PACKAGE
BH-019	18.7	6.0	3.7	1000



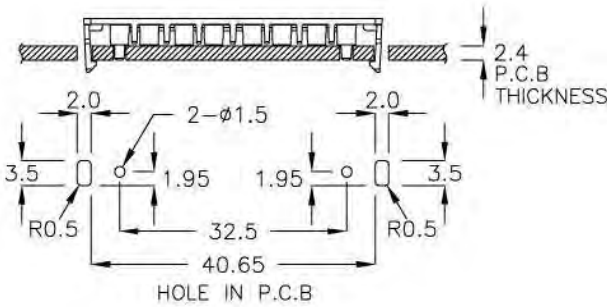
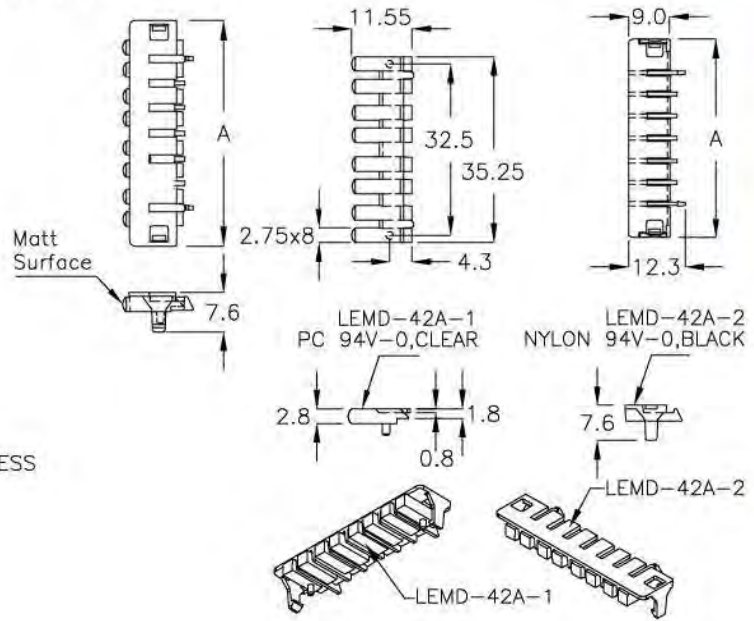


導光柱 LIGHT PIPE

1-41-1

- MATERIAL: PC,NYLON 66(UL)
- FLAME CLASS: 94V-0
- COLOR: CLEAR,BLACK

PART NO	A	PACKAGE
LEMD-42A	42.8	200

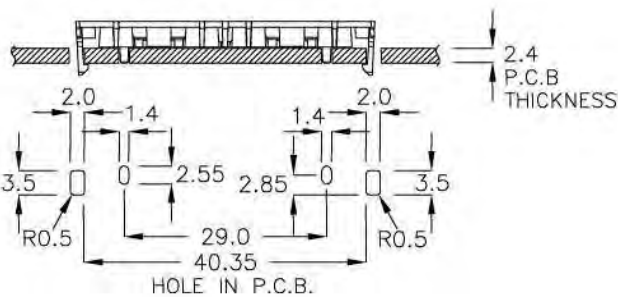
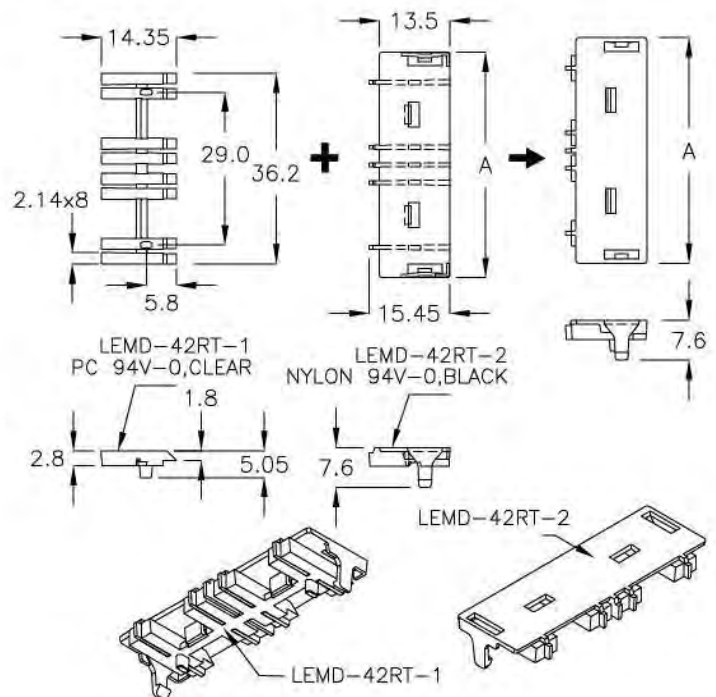


導光柱 LIGHT PIPE

1-41-2

- MATERIAL: PC,NYLON 66(UL)
- FLAME CLASS: 94V-0
- COLOR: CLEAR,BLACK

PART NO	A	PACKAGE
LEMD-42RT	42.8	200



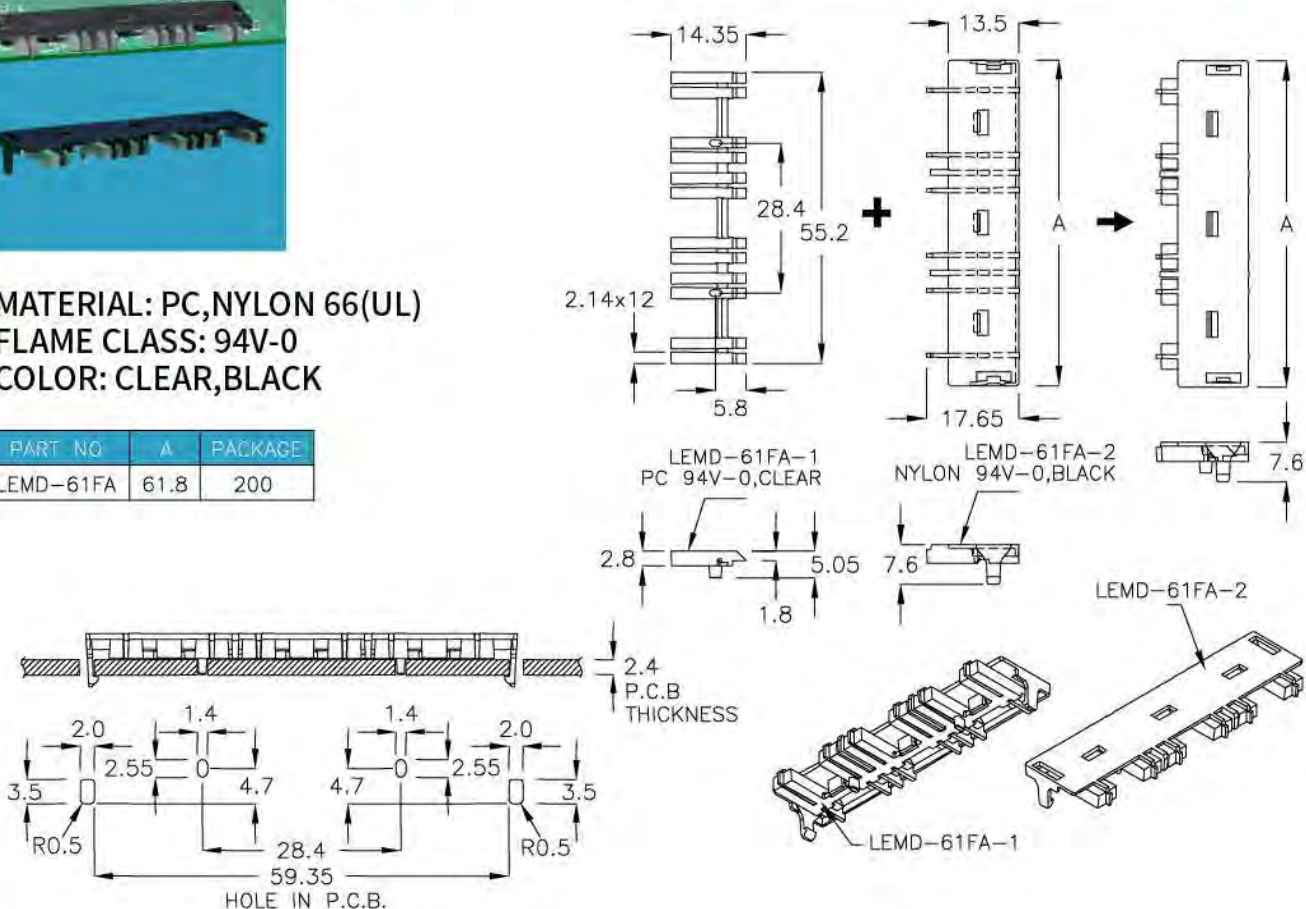


導光柱 LIGHT PIPE

1-42-1

- MATERIAL: PC,NYLON 66(UL)
- FLAME CLASS: 94V-0
- COLOR: CLEAR,BLACK

PART NO	A	PACKAGE
LEMD-61FA	61.8	200

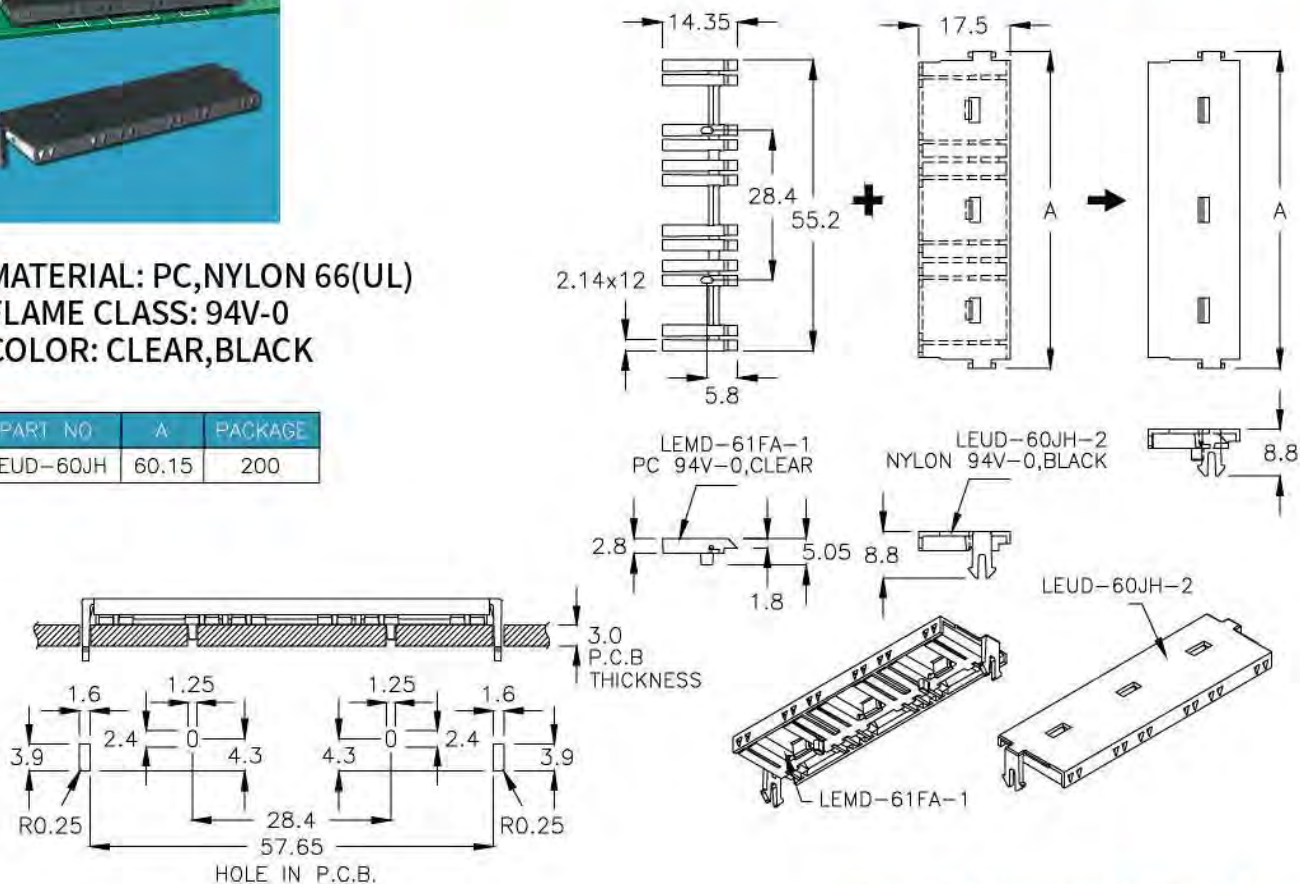


導光柱 LIGHT PIPE

1-42-2

- MATERIAL: PC,NYLON 66(UL)
- FLAME CLASS: 94V-0
- COLOR: CLEAR,BLACK

PART NO	A	PACKAGE
LEUD-60JH	60.15	200



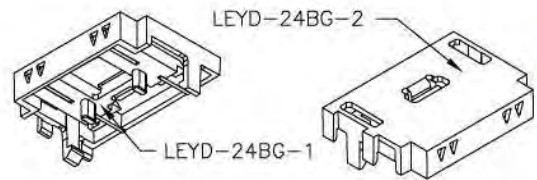
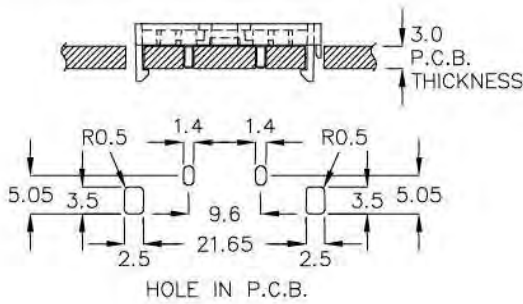
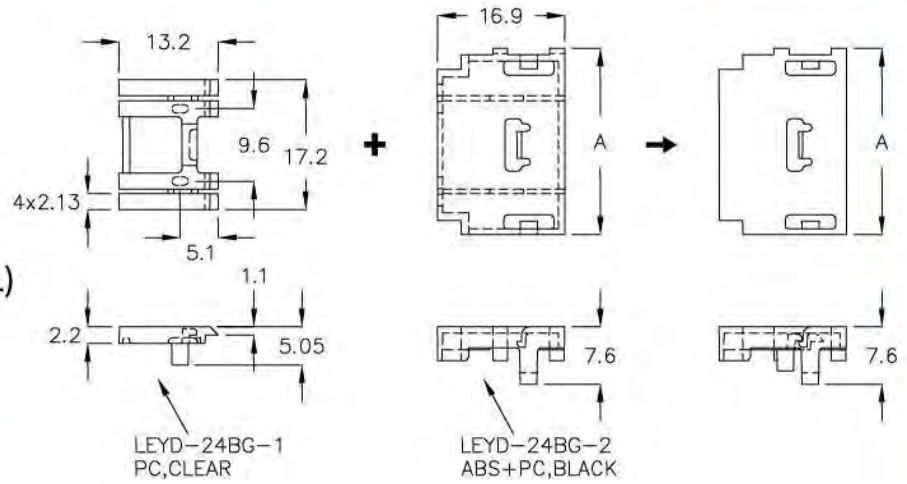


導光柱 LIGHT PIPE

1-43-1

- MATERIAL: PC,NYLON 66(UL)
- FLAME CLASS: 94V-0
- COLOR: CLEAR,BLACK

PART NO	A	PACKAGE
LEYD-24BG	24.7	200

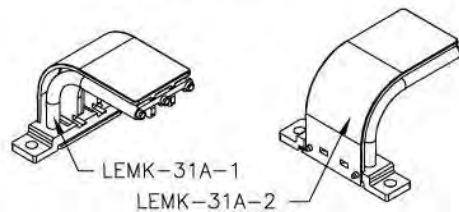
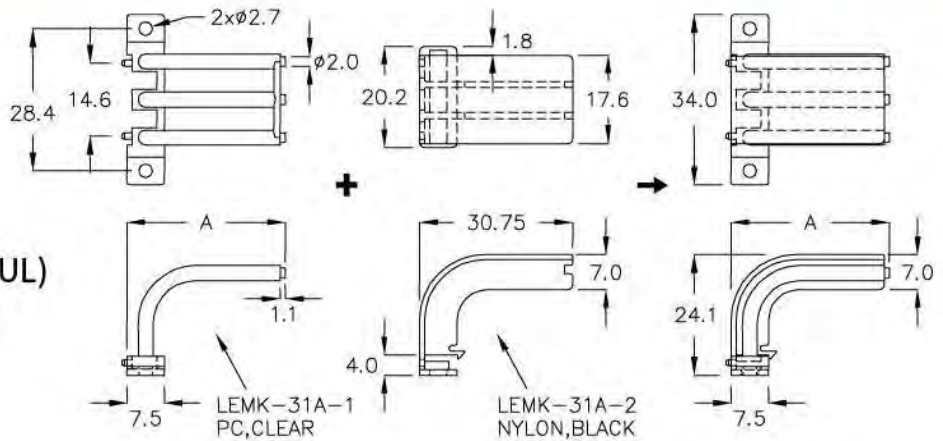


導光柱 LIGHT PIPE

1-43-2

- MATERIAL: PC,NYLON 66(UL)
- FLAME CLASS: 94V-0
- COLOR: CLEAR,BLACK

PART NO	A	PACKAGE
LEMK-31A	31.9	500

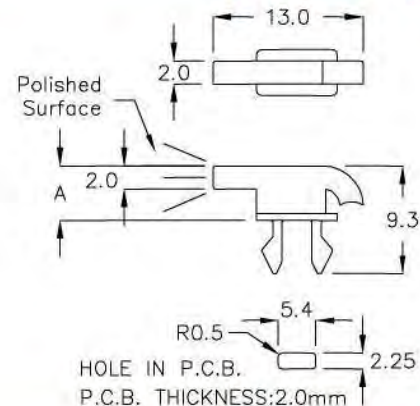




導光柱 LIGHT PIPE

- MATERIAL: PC(UL)
- FLAME CLASS: 94V-0
- COLOR: CLEAR

PART NO	A	PACKAGE
LEFD-4A	4.7	1000



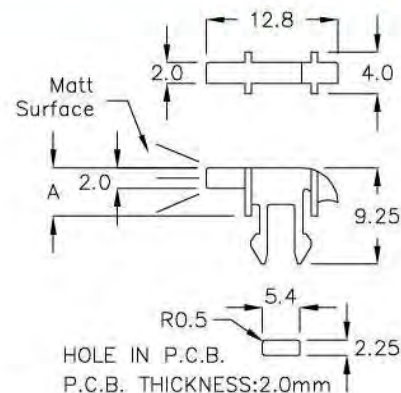
1-44-1



導光柱 LIGHT PIPE

- MATERIAL: PC(UL)
- FLAME CLASS: 94V-0
- COLOR: CLEAR

PART NO	A	PACKAGE
LEFD-4RZ	4.65	1000



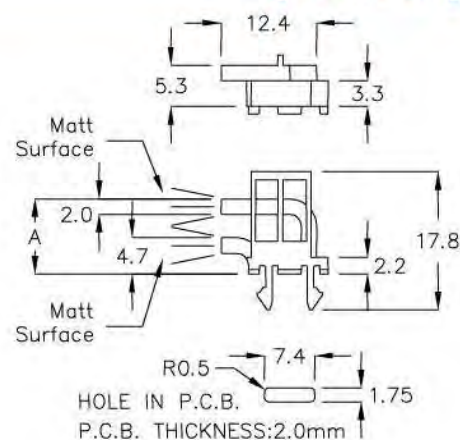
1-44-2



導光柱 LIGHT PIPE

- MATERIAL: PC(UL)
- FLAME CLASS: 94V-0
- COLOR: CLEAR

PART NO	A	PACKAGE
LEFD-9DK	9.7	1000



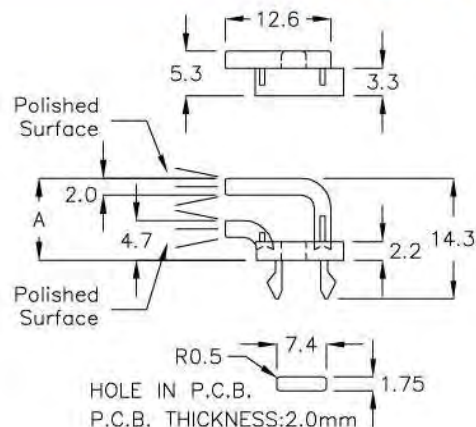
1-44-3



導光柱 LIGHT PIPE

- MATERIAL: PC(UL)
- FLAME CLASS: 94V-0
- COLOR: CLEAR

PART NO	A	PACKAGE
LEFD-9MQ	9.7	1000



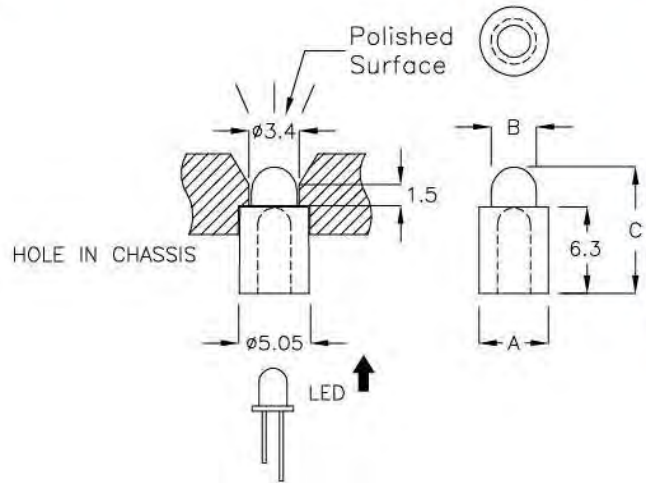
1-44-4



導光柱 LIGHT PIPE

1-45-1

- MATERIAL: PC(UL)
- FLAME CLASS: 94V-2
- COLOR: CLEAR



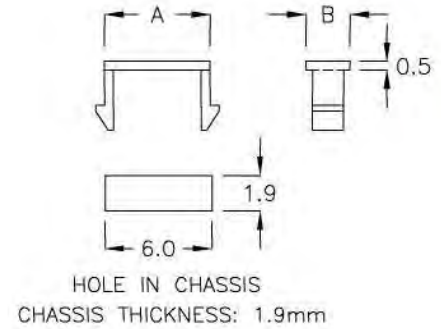
PART NO	A	B	C	PACKAGE
HHQ-01	$\phi 5.0$	$\phi 3.3$	9.2	2000



保護蓋 COVER

1-45-2

- MATERIAL: PC(UL)
- FLAME CLASS: 94V-2
- COLOR: CLEAR



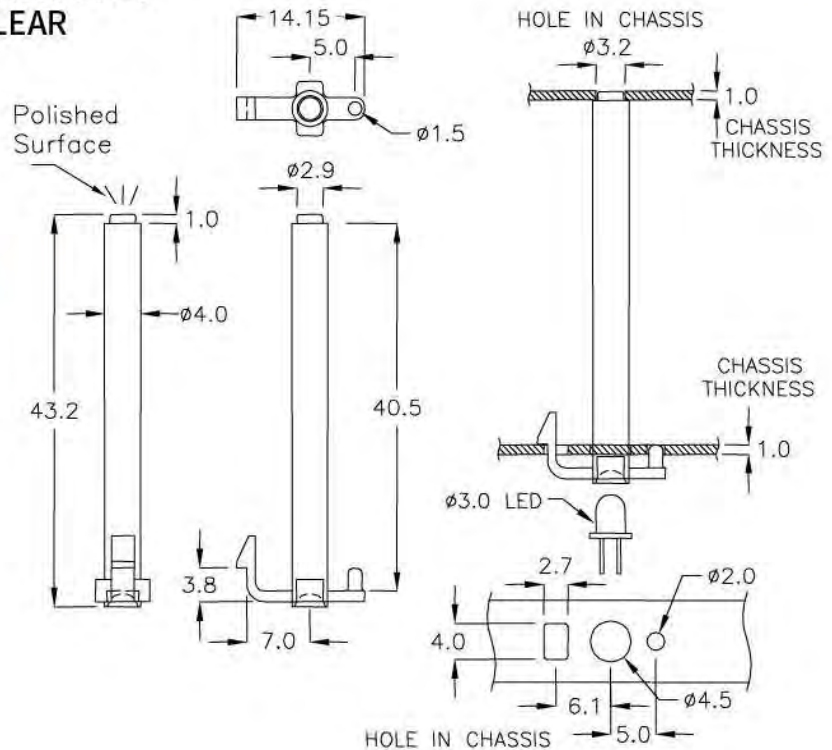
PART NO	A	B	PACKAGE
BHB-06	6.0	2.5	2000



導光柱 LIGHT PIPE

1-45-3

- MATERIAL: PC(UL)
- FLAME CLASS: 94V-0
- COLOR: CLEAR



PART NO	A	B	C	PACKAGE
LEAD-43KT	43.2	40.5	$\phi 2.9$	200

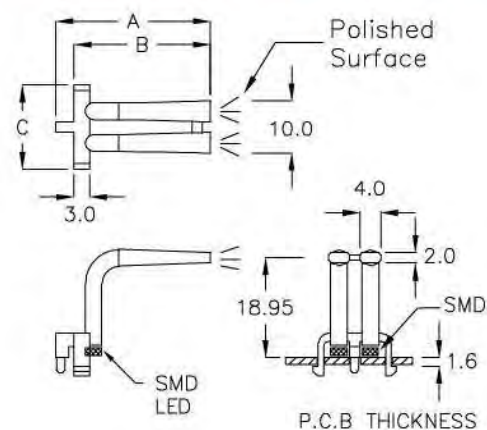
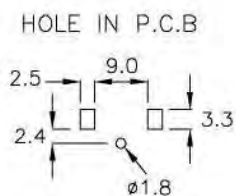


導光柱 LIGHT PIPE

1-46-1

- MATERIAL: PC(UL)
- FLAME CLASS: 94V-2
- COLOR: CLEAR

PART NO	A	B	C	PACKAGE
LEAD-25	29.7	26.2	16.0	500

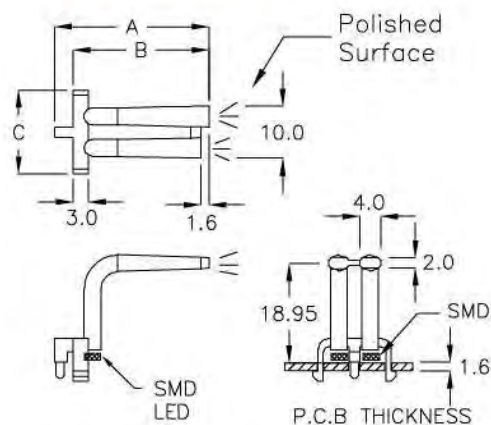
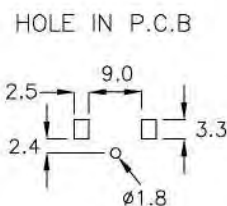


導光柱 LIGHT PIPE

1-46-2

- MATERIAL: PC(UL)
- FLAME CLASS: 94V-2
- COLOR: CLEAR

PART NO	A	B	C	PACKAGE
LEAD-26	29.7	26.2	16.0	500

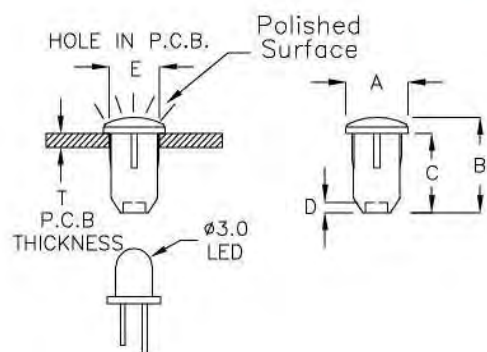


導光柱 LIGHT PIPE

1-46-3

- MATERIAL: PC(UL)
- FLAME CLASS: 94V-0
- COLOR: CLEAR

PART NO	A	B	C	D	E	T	PACKAGE
LEAD-7QS	5.0	7.7	6.4	0.8	3.9	≥2.0	2000

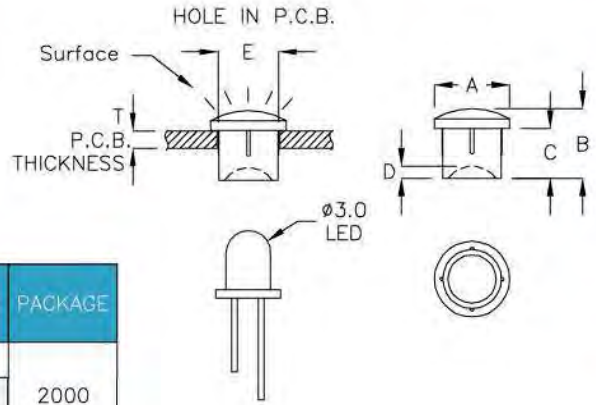




導光柱 LIGHT PIPE

1-47-1

- MATERIAL: PC(UL)
- FLAME CLASS: 94V-2
- COLOR: CLEAR



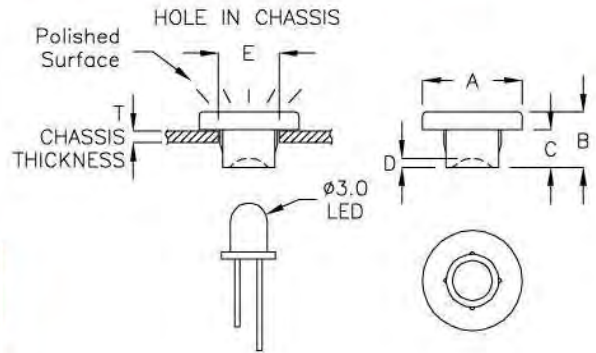
PART NO	A	B	C	D	E HOLE IN P.C.B.	T P.C.B. THICKNESS	SURFACE	PACKAGE
LEAD-4RK	ø3.8	3.95	2.95	0.4	ø3.1	≥ 1.4	Matt	2000
LEAD-2B	ø5.0	4.6	3.3	0.8	ø3.96	≥ 1.6	Matt	
LEAD-2BAM	ø5.0	4.6	3.3	0.8	ø3.96	≥ 1.6	Polished	



導光柱 LIGHT PIPE

1-47-2

- MATERIAL: PC(UL)
- FLAME CLASS: 94V-2
- COLOR: CLEAR



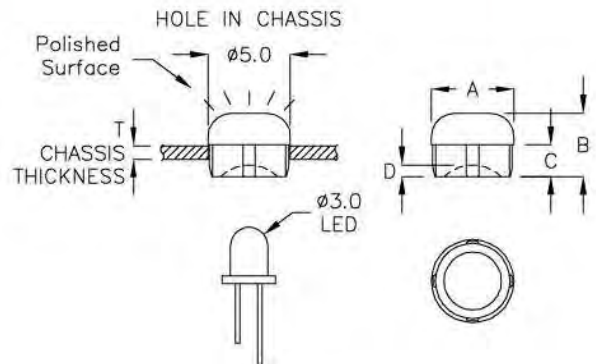
PART NO	A	B	C	D	E HOLE IN CHASSIS	T CHASSIS THICKNESS	PACKAGE
LEVD-5GS	ø5.5	3.05	2.05	0.5	ø3.0	≥ 2.0	2000



導光柱 LIGHT PIPE

1-47-3

- MATERIAL: PC(UL)
- FLAME CLASS: 94V-2
- COLOR: CLEAR



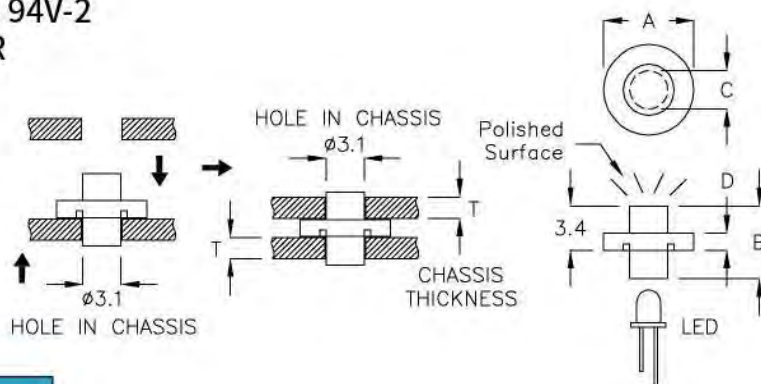
PART NO	A	B	C	D	T CHASSIS THICKNESS	PACKAGE
LEWD-04	ø5.25	4.0	2.0	0.7	≥ 0.8	2000



導光柱 LIGHT PIPE

1-48-1

- MATERIAL: PC(UL)
- FLAME CLASS: 94V-2
- COLOR: CLEAR



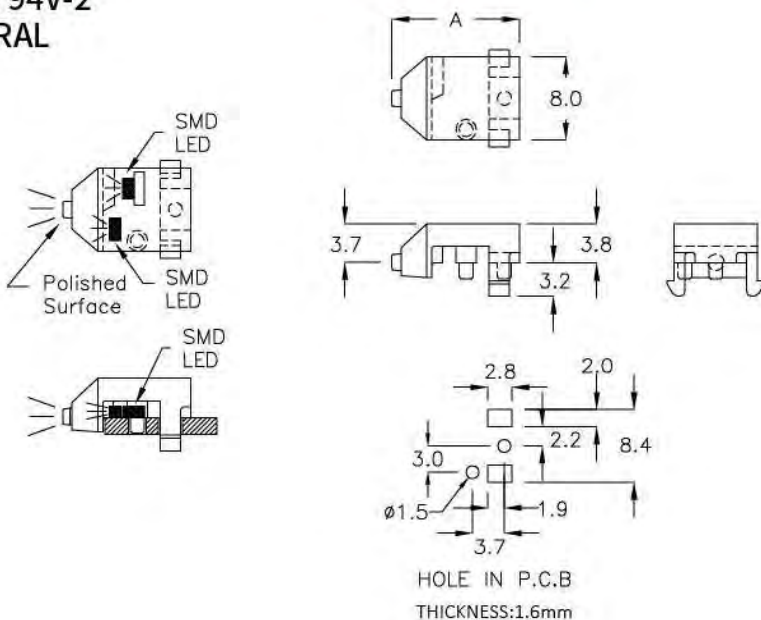
PART NO	A	B	C	D	T CHASSIS THICKNESS	PACKAGE
LEAD-5A	$\phi 7.0$	5.6	$\phi 2.95$	1.3	2.0	2000



導光柱 LIGHT PIPE

1-48-2

- MATERIAL: PC(UL)
- FLAME CLASS: 94V-2
- COLOR: NATURAL



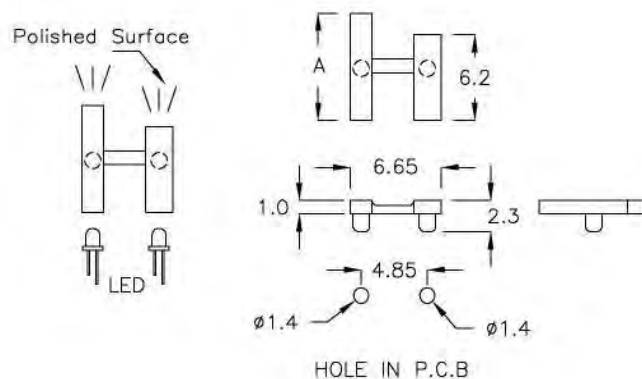
PART NO	A	P.C.B. THICKNESS	PACKAGE
LESD-12K	12.4	1.6	1000



導光柱 LIGHT PIPE

1-48-3

- MATERIAL: PC(UL)
- FLAME CLASS: 94V-2
- COLOR: CLEAR



PART NO	A	P.C.B. THICKNESS	PACKAGE
LETD-6K	7.75	1.6	2000

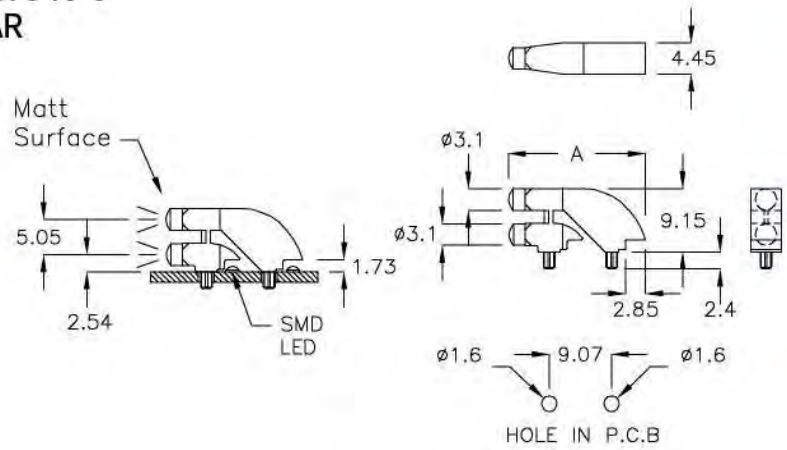


導光柱 LIGHT PIPE

1-49-1

- MATERIAL: PC
- FLAME CLASS: 94V-0
- COLOR: CLEAR

PART NO	A	P.C.B. THICKNESS	PACKAGE
LEJD-19K	19.85	1.6	500

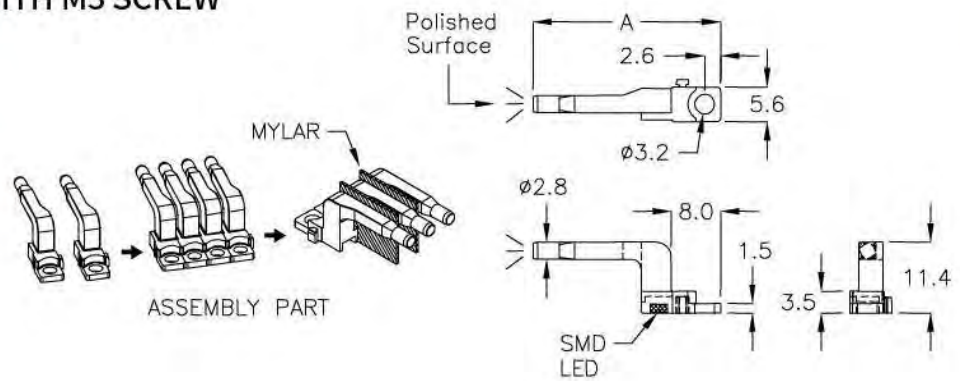


導光柱 LIGHT PIPE

1-49-2

- MATERIAL: PC(UL)
- FLAME CLASS: 94V-2
- COLOR: CLEAR
- WITH M3 SCREW

PART NO	A	PACKAGE
LEAD-29CT	30.5	500

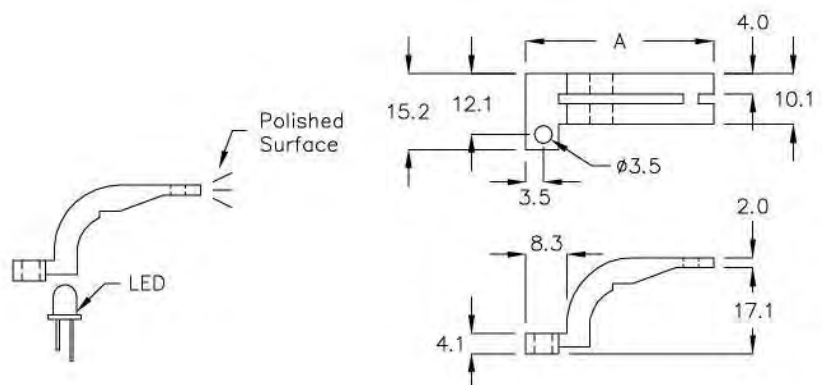


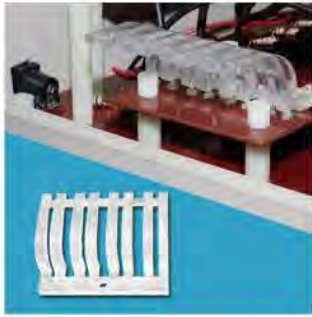
導光柱 LIGHT PIPE

1-49-3

- MATERIAL: PMMA
- COLOR: CLEAR

PART NO	A	PACKAGE
LEAD-2	37.5	500



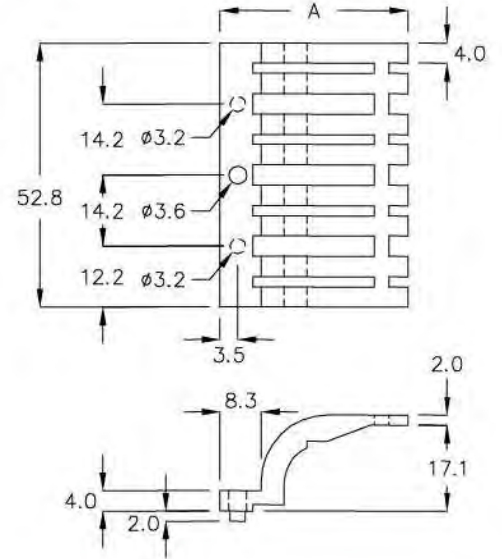
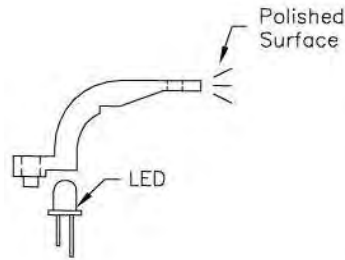


導光柱 LIGHT PIPE

1-50-1

- MATERIAL: PMMA
- COLOR: CLEAR

PART NO	A	PACKAGE
LEAD-8	37.5	100

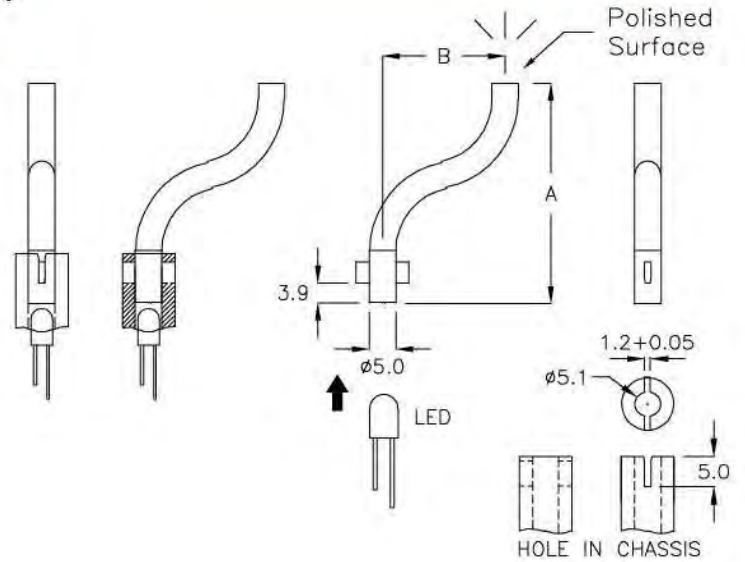


導光柱 LIGHT PIPE

1-50-2

- MATERIAL: PMMA
- COLOR: CLEAR

PART NO	A	B	PACKAGE
LEAD-10	41.5	23.3	500
LEAD-11	45.5	23.3	
LEAD-12	76.5	23.3	

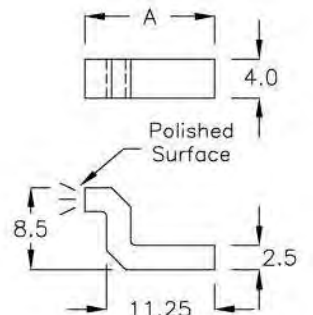
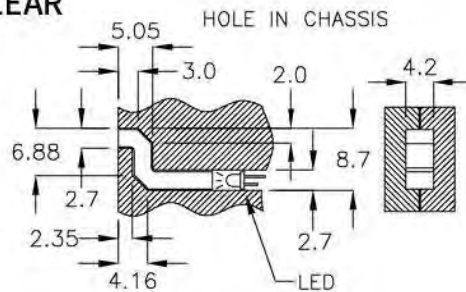


導光柱 LIGHT PIPE

1-50-3

- MATERIAL: PC(UL)
- FLAME CLASS: 94V-2
- COLOR: CLEAR

PART NO	A	PACKAGE
LEQD-13K	13.5	2000



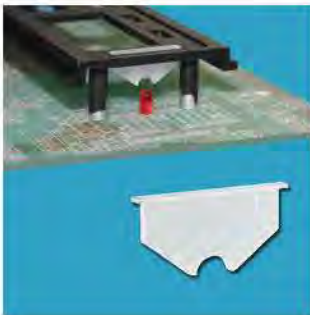
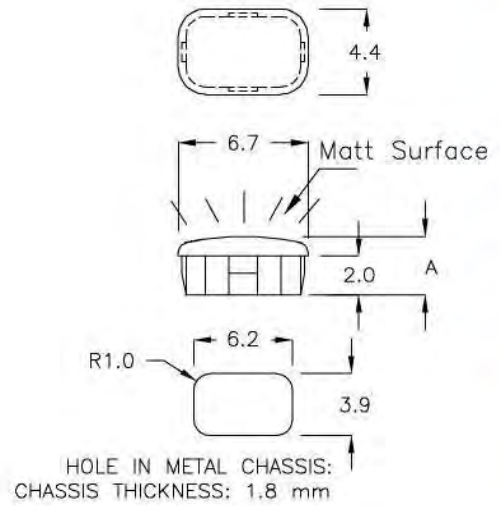


導光柱 LIGHT PIPE

1-51-1

- MATERIAL: PC(UL)
- FLAME CLASS: 94V-2
- COLOR: CLEAR

PART NO	A	PACKAGE
LECD-3K	3.0	1000

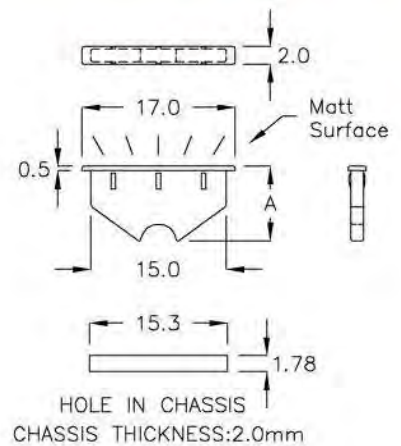


導光柱 LIGHT PIPE

1-51-2

- MATERIAL: PC(UL)
- FLAME CLASS: 94V-2
- COLOR: NATURAL

PART NO	A	PACKAGE
LEWA-17C	8.2	1000

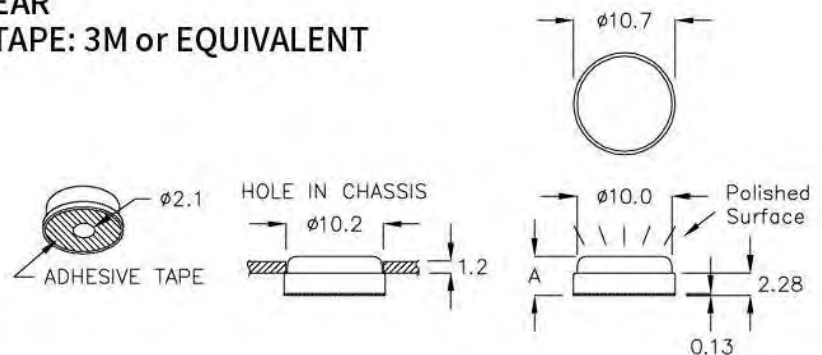


導光柱 LIGHT PIPE

1-51-3

- MATERIAL: PMMA
- COLOR: CLEAR
- ADHESIVE TAPE: 3M or EQUIVALENT

PART NO	A	PACKAGE
LERD-3K	4.03	2000

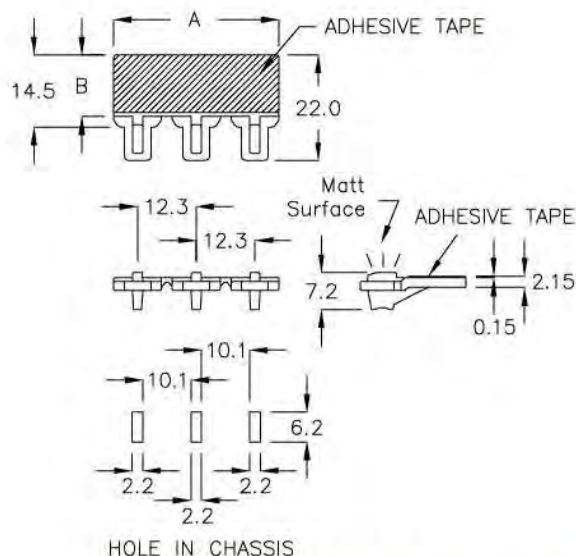




導光柱 LIGHT PIPE

1-52-1

- MATERIAL: PC(UL)
- FLAME CLASS: 94V-2
- COLOR: NATURAL
- ADHESIVE TAPE: 3M



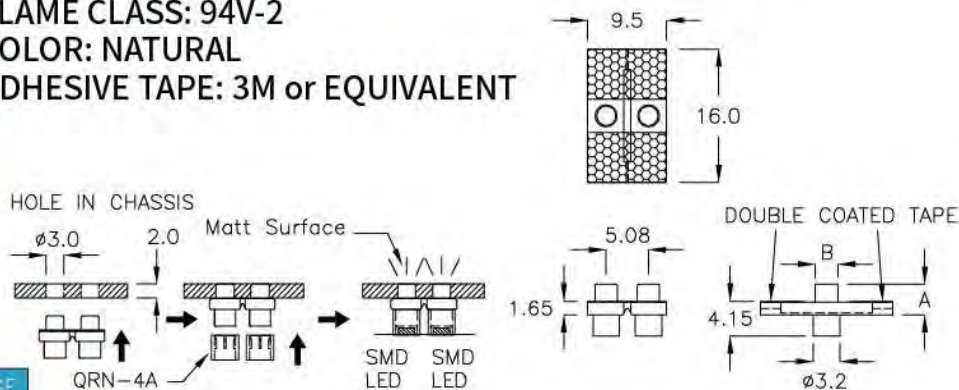
PART NO	A	B	PACKAGE
LEND-22A	34.6	12.8	200



導光柱 LIGHT PIPE

1-52-2

- MATERIAL: PC(UL)
- FLAME CLASS: 94V-2
- COLOR: NATURAL
- ADHESIVE TAPE: 3M or EQUIVALENT



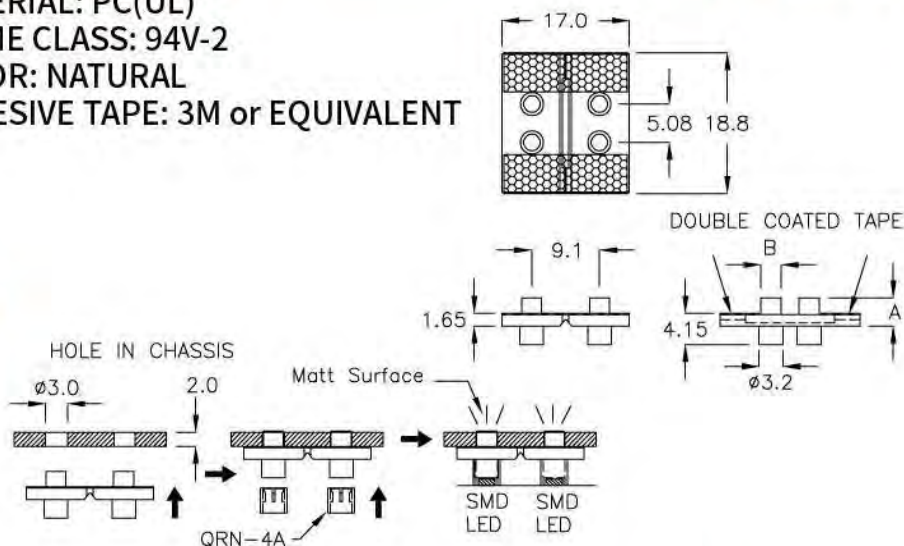
PART NO	A	B	PACKAGE
LEGD-2A	3.7	2x ϕ 2.7	1000
LEGD-2KM	3.3	2x ϕ 2.7	



導光柱 LIGHT PIPE

1-52-3

- MATERIAL: PC(UL)
- FLAME CLASS: 94V-2
- COLOR: NATURAL
- ADHESIVE TAPE: 3M or EQUIVALENT



PART NO	A	B	PACKAGE
LEGD-4C	3.7	4x ϕ 2.7	1000
LEGD-4QN	3.3	4x ϕ 2.7	

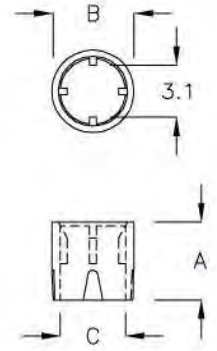


遮光罩 LIGHT COVER

1-53-1

- MATERIAL: NYLON 66(UL)
- FLAME CLASS: 94V-2
- COLOR: BLACK

PART NO	A	B	C	PACKAGE
QRN-4A	4.7	∅5.0	∅4.0	2000

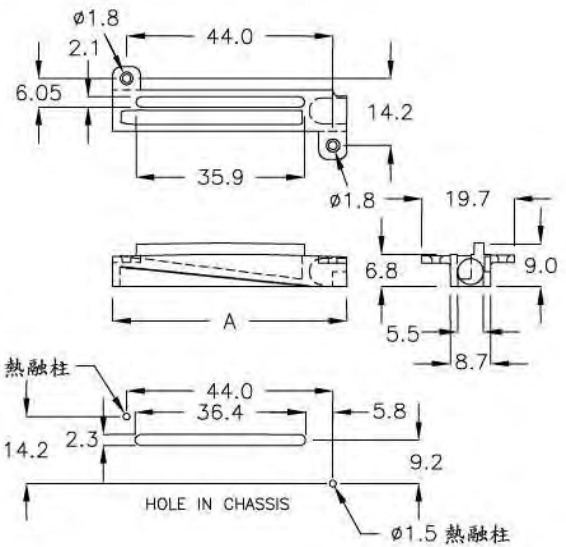
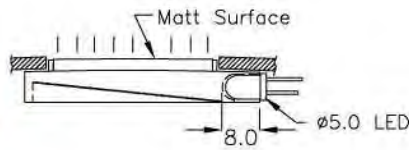


導光柱 LIGHT PIPE

1-53-2

- MATERIAL: PC(UL)
- FLAME CLASS: 94V-2
- COLOR: CLEAR

PART NO	A	PACKAGE
LEAD-1KC	50.0	500

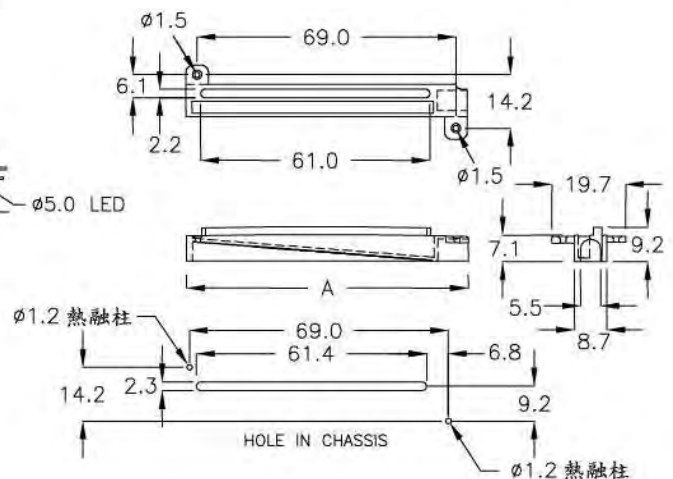
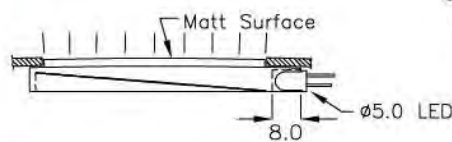


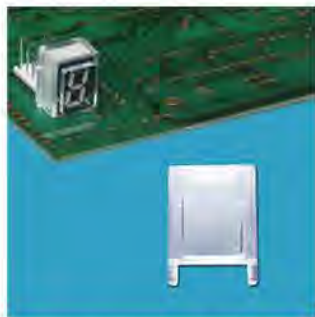
導光柱 LIGHT PIPE

1-53-3

- MATERIAL: PC(UL)
- FLAME CLASS: 94V-2
- COLOR: CLEAR

PART NO	A	PACKAGE
LEAD-1NJ	75.0	100



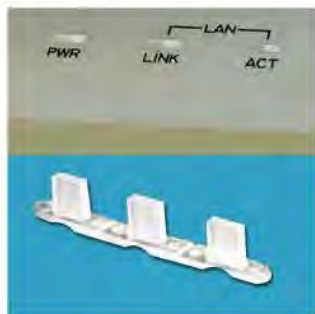
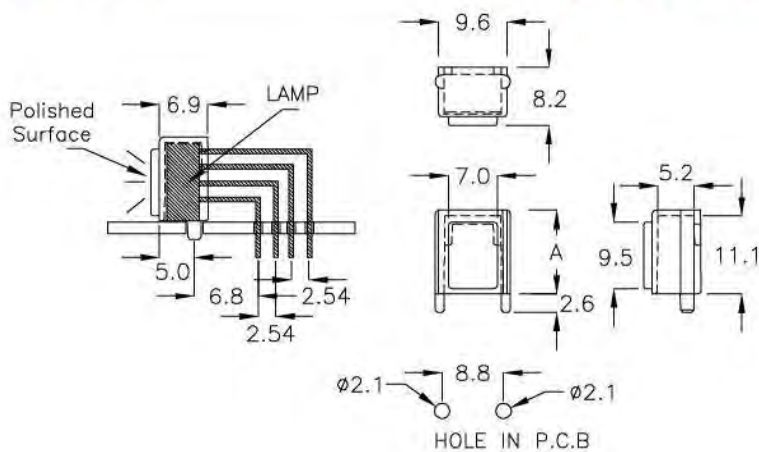


LED 導光罩 LED CAP

1-54-1

- MATERIAL: PC(UL)
- FLAME CLASS: 94V-0
- COLOR: NATURAL

PART NO	A	PACKAGE
LDHD-12MG	11.9	1000

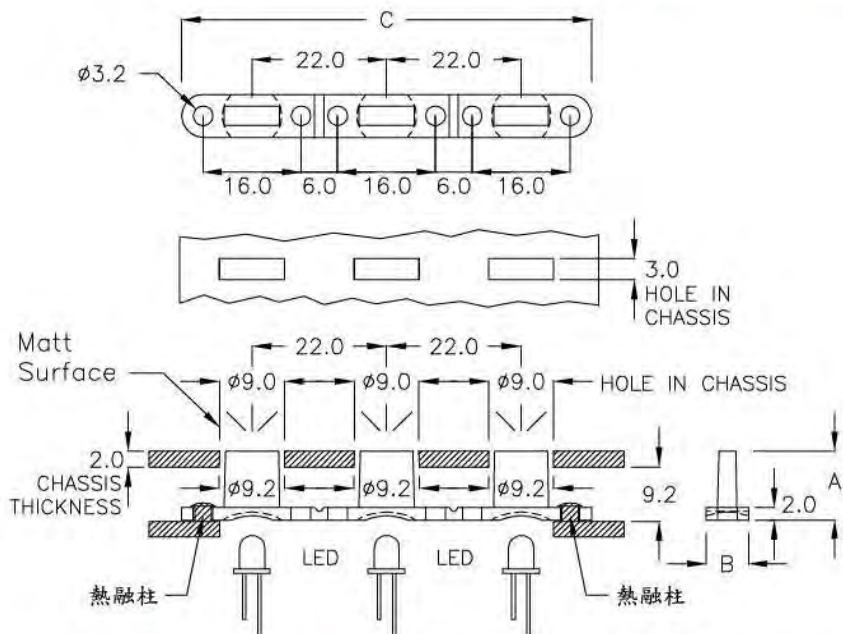


導光柱 LIGHT PIPE

1-54-2

- MATERIAL: PC(UL)
- FLAME CLASS: 94V-2
- COLOR: NATURAL

PART NO	A	B	C	PACKAGE
LEXD-67D	11.2	7.0	67.0	200

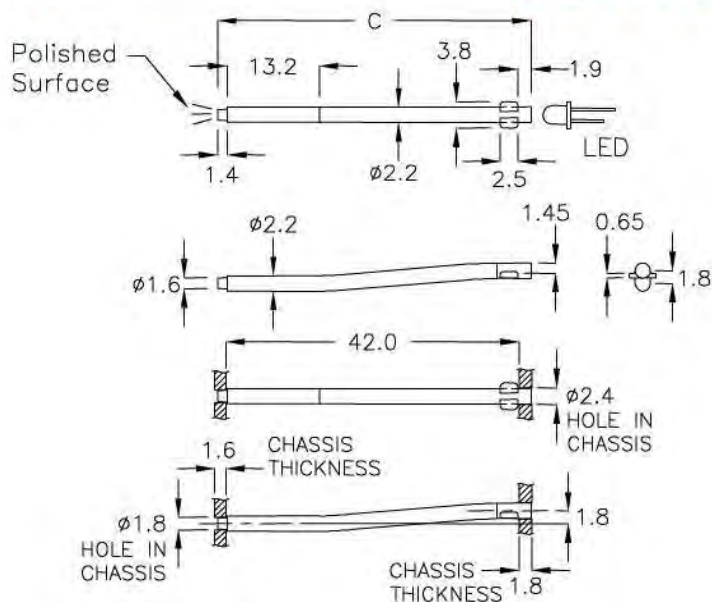


導光棒 LIGHT PIPE

1-54-3

- MATERIAL: PC(UL)
- FLAME CLASS: 94V-0
- COLOR: CLEAR

PART NO	C	PACKAGE
LDAD-45AT	44.9	2000

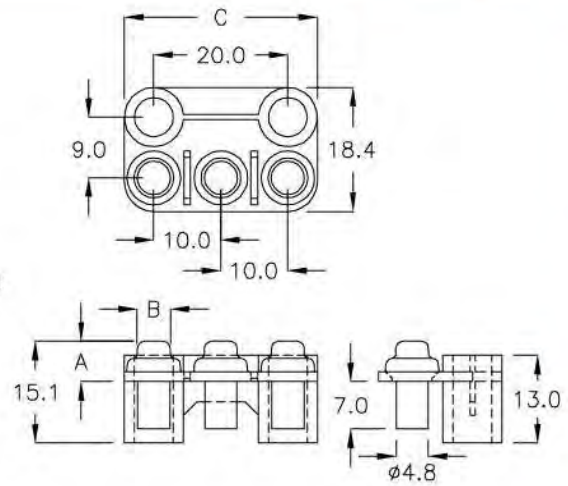
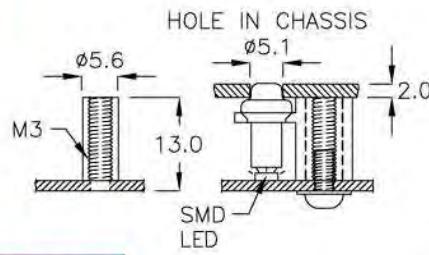




導光柱 LIGHT PIPE

1-55-1

- MATERIAL: PC(UL)
- FLAME CLASS: 94V-2
- COLOR: CLEAR



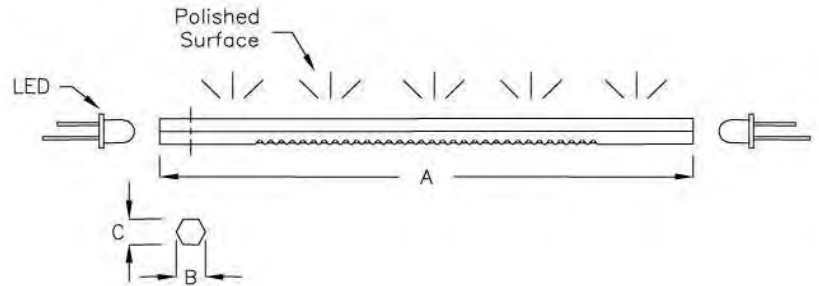
PART NO	A	B	C	PACKAGE
LEWF-28HS	6.0	ø4.95	28.8	500



導光柱 LIGHT PIPE

1-55-2

- MATERIAL: PC(UL)
- FLAME CLASS: 94V-2
- COLOR: CLEAR



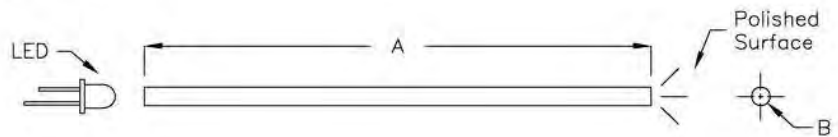
PART NO	A	B	C	PACKAGE
LEAD-50	113.0	2.75	2.38	200



導光柱 LIGHT PIPE

1-55-3

- MATERIAL: PC(UL)
- FLAME CLASS: 94V-2
- COLOR: CLEAR



PART NO	A	B	PACKAGE
LEAD-81	81.0	ø3.0	500

Lined writing area with 25 horizontal lines.



護線環
SNAP BUSHING

02



塞環
HOLE PLUG



線扣
BUSHING

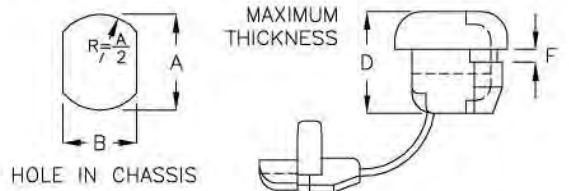




電源線扣 STRAIN RELIEF BUSHING

2-2-1

- MATERIAL: NYLON 66(UL)
- FLAME CLASS: 94V-2
- COLOR: BLACK



PG Cord Bushings are the easy and low-cost way to insulate and protect your AC Cords. Provide non-slip grip and will not damage the insulation of AC Cord.



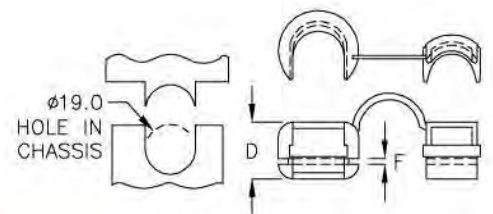
PART NO.	SUITABLE CABLE TYPE & DIMENSIONS OF CHASSIS						D PART LENGTH	UL	PACKAGE
	CROSS SECTION SHAPE	WIRE ACCOMMODATED	SIZE	A	B TO PREVENT ROTATION	F MAXIMUM THICKNESS			
2RF-2	FLAT	SPT-1	2.8x5.3	9.5	8.7	3.2	10.8	UL	500
3RF-1	FLAT	SPT-2	3.0x5.6	11.1	9.9	2.6	10.3		
3RF-2	FLAT	SPT-2	3.0x5.6	11.1	10.1	1.6	10.3	UL	
4RF-4	FLAT	SPT-2	3.0x5.6	12.7	11.5	2.5	11.2	UL	
4RF-5	FLAT	SPT-2	3.8x7.6	12.7	11.8	1.6	10.4	UL	
4RF-6	FLAT	SPT-2	3.0x6.5	12.5	11.6	2.7	10.5	UL	
5R-2	ROUND	SVI	7.6	12.7	11.5	1.6	11.3		
5R-4	ROUND	SV,SVT	6.4	12.7	11.5	1.6	11.3	UL	
5R-4A	ROUND	SV,SVT	6.4	12.7	11.5	2.5	11.0	UL	
5RF-4	FLAT	SPT-2	3.8x8.9	14.3	13.4	1.6	15.45	UL	
		SPT-3	5.0x10.0						
6R-4	ROUND	SVI	7.6	15.9	14.0	1.6	14.9	UL	200
6R-6	ROUND	SJ,SJT	8.2	15.9	14.0	1.6	14.5	UL	
6R-6A	ROUND	SJ,SJT	8.2	15.9	14.0	3.2	14.5		
7R-2	ROUND	S,ST	9.2-10.5	19.0	16.8	1.6	19.0	UL	
			11.0	19.8					
7R-2A	ROUND	S,ST	9.2-10.5	19.0	16.8	3.2	19.0	UL	
			11.0	19.8					
7R-2LT	ROUND	SJT	9.6-10.0	19.0	16.8	1.0	15.0		100
8R-2	ROUND	SJT	13.5-15.2	22.2	21.5	3.2	20.0	UL	
8R-2A	ROUND	SJT	13.5	23.0	22.0	2.0	19.9		
9R-2	ROUND	SJT	15.2-16.3	28.0	25.2	2.4	25.6		
			17.5	30.2	25.2	6.7			
9R-2A	ROUND	SJT	15.5	28.0	25.2	2.4	14.5		50
9R-2B	ROUND	SJT	18.2	28.0	25.2	2.4	23.9		100
									50



電源線扣 STRAIN RELIEF BUSHING

2-2-2

- MATERIAL: NYLON 66(UL)
- FLAME CLASS: 94V-2
- COLOR: BLACK

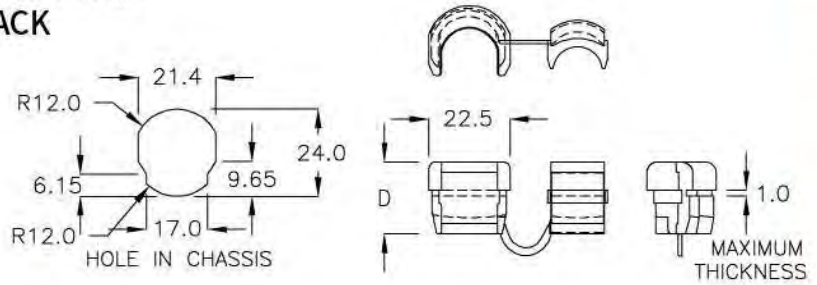


PART NO.	SUITABLE CABLE TYPE & DIMENSIONS OF CHASSIS					UL	PACKAGE
	CROSS SECTION SHAPE	WIRE ACCOMMODATED	SIZE	F MAXIMUM THICKNESS	D PART LENGTH		
7R-7	ROUND	S.P.S	14.0	1.6	17.6	UL	100
7R-7B	ROUND	S.P.S	12.5	1.3	17.5		
7R-7C	ROUND	S.P.S	13.5	1.3	17.6		
7R-7E	ROUND	S.P.S	12.0	1.6	17.7		



電源線扣 STRAIN RELIEF BUSHING ———— | 2-3-1 |

- MATERIAL: NYLON 66(UL)
- FLAME CLASS: 94V-2
- COLOR: BLACK

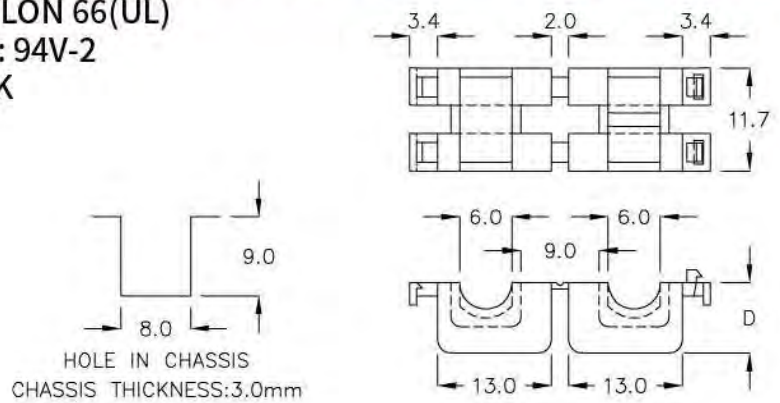


PART NO	D	WIRE ACCOMMODATED	PACKAGE
8R-2QT	19.8	ø15.0	100



電源線扣 STRAIN RELIEF BUSHING ———— | 2-3-2 |

- MATERIAL: NYLON 66(UL)
- FLAME CLASS: 94V-2
- COLOR: BLACK

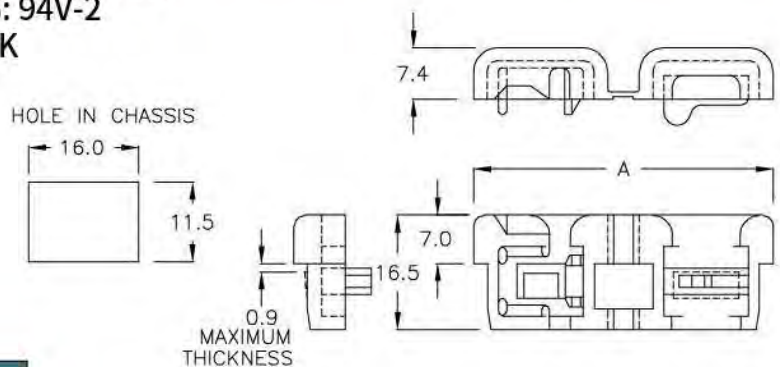


PART NO	D	PACKAGE
5R-1	8.0	200



電源線扣 STRAIN RELIEF BUSHING ———— | 2-3-3 |

- MATERIAL: NYLON 66(UL)
- FLAME CLASS: 94V-2
- COLOR: BLACK

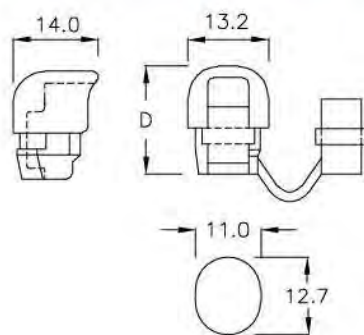


PART NO	A	WIRE ACCOMMODATED	UL	PACKAGE
5RF-5A	42.6	SPT-2	UL	200
5RF-5B	42.8	SPT-2	UL	
5RF-5D	42.8	SPT-2		



電源線扣 STRAIN RELIEF BUSHING 2-4-1

- MATERIAL: NYLON 66(UL)
- FLAME CLASS: 94V-2
- COLOR: BLACK



HOLE IN CHASSIS

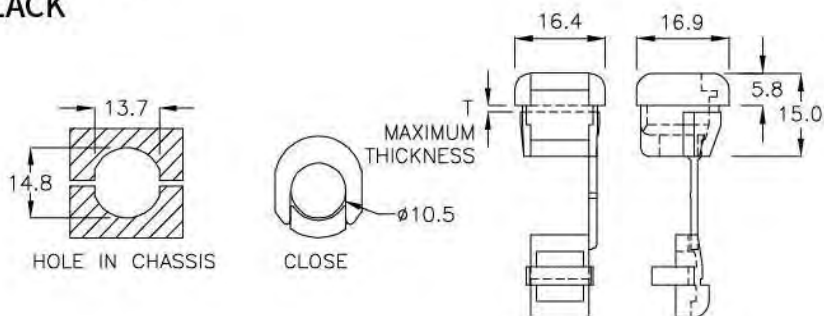


PART NO	WIRE ACCOMMODATED	MAXIMUM THICKNESS	D	UL	PACKAGE
5R-6	SPT-2(3x6.6)	2.5	17.6	UL	200
5R-7	SV(ø6)	2.5	17.7	UL	



電源線扣 STRAIN RELIEF BUSHING 2-4-2

- MATERIAL: NYLON 66(UL)
- FLAME CLASS: 94V-2
- COLOR: BLACK

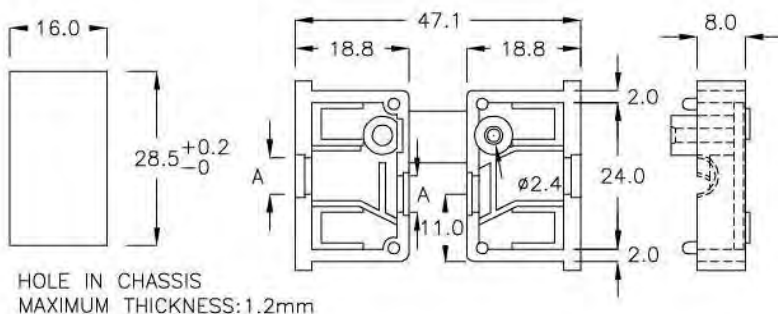


PART NO	MAXIMUM THICKNESS:T	PACKAGE
7R-2D	1.0	100



電源線扣 STRAIN RELIEF BUSHING 2-4-3

- MATERIAL: NYLON 66(UL)
- FLAME CLASS: 94V-2
- COLOR: GRAY,BLACK



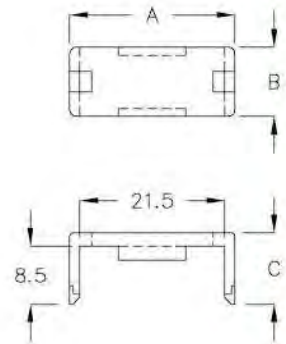
PART NO	A	PACKAGE
6R-9	ø6.0	100
6R-09C	ø8.5	200



端子保護蓋 CONNECTOR COVER

2-25-1

- MATERIAL: NYLON 66(UL)
- FLAME CLASS: 94V-2
- COLOR: NATURAL



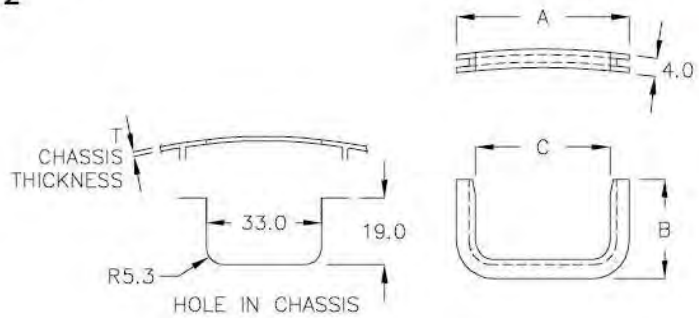
PART NO	A	B	C	PACKAGE
BH-012	24.5	10.2	10.5	500



護線套 EDGING

2-25-2

- MATERIAL: NYLON 66(UL)
- FLAME CLASS: 94V-2
- COLOR: BLACK



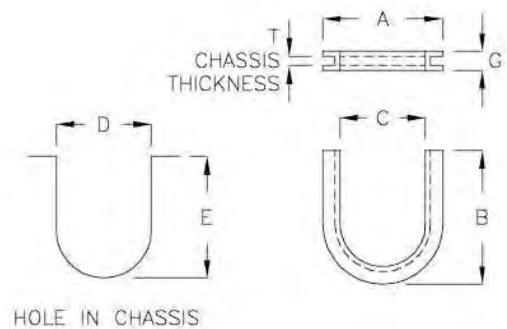
PART NO	A	B	C	T CHASSIS THICKNESS	PACKAGE
DDS-04	37.9	21.65	29.5	1.3	500



護線套 EDGING

2-25-3

- MATERIAL: NYLON 66(UL)
- FLAME CLASS: 94V-2
- COLOR: BLACK



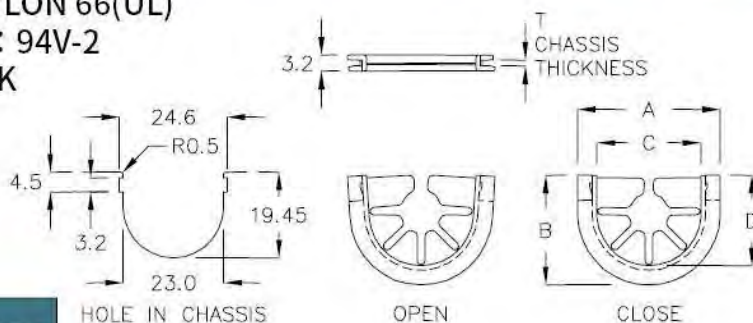
PART NO	A	B	C	D	E	G	T CHASSIS THICKNESS	PACKAGE
UST-01	24.2	26.8	17.2	19.2	25.0	3.85	1.6	500
UST-02	24.0	21.0	16.0	18.0	18.0	3.8	1.7	
UST-03	21.4	29.7	16.0	17.8	27.9	3.0	0.8	
UST-04	16.0	16.0	10.0	12.0	14.0	3.4	1.3	
UST-05	21.4	27.5	16.0	17.8	25.7	3.0	1.0	
UST-06	31.3	36.5	21.3	26.0	35.0	3.8	1.6	
UST-07	31.3	36.8	21.3	26.1	34.2	4.3	1.7	
UST-08	28.3	29.5	20.7	22.0	26.7	4.0	1.6~1.8	
UST-12	24.0	21.0	16.0	18.0	18.0	3.3	1.0	



護線套 EDGING

2-26-1

- MATERIAL : NYLON 66(UL)
- FLAME CLASS : 94V-2
- COLOR : BLACK



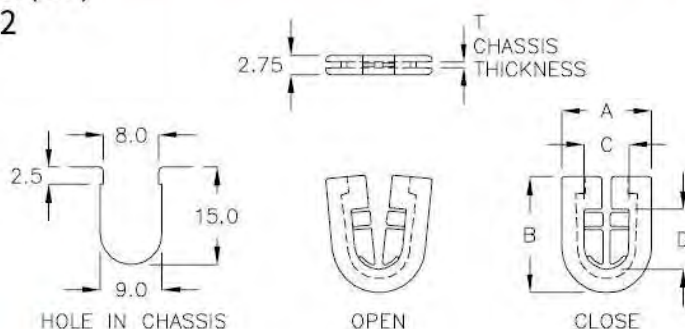
PART NO	A	B	C	D	T CHASSIS THICKNESS	PACKAGE
USK-21A	29.0	22.1	21.2	18.0	1.0	500



方型護線環 EDGE SADDLE

2-26-2

- MATERIAL: NYLON 66(UL)
- FLAME CLASS: 94V-2
- COLOR: NATURAL



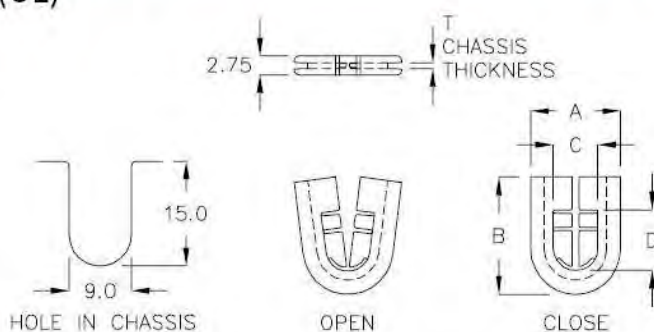
PART NO	A	B	C	D	T CHASSIS THICKNESS	PACKAGE
USM-6KP	13.0	16.8	6.4	8.7	0.6	1000



方型護線環 EDGE SADDLE

2-26-3

- MATERIAL: NYLON 66(UL)
- FLAME CLASS: 94V-2
- COLOR: NATURAL

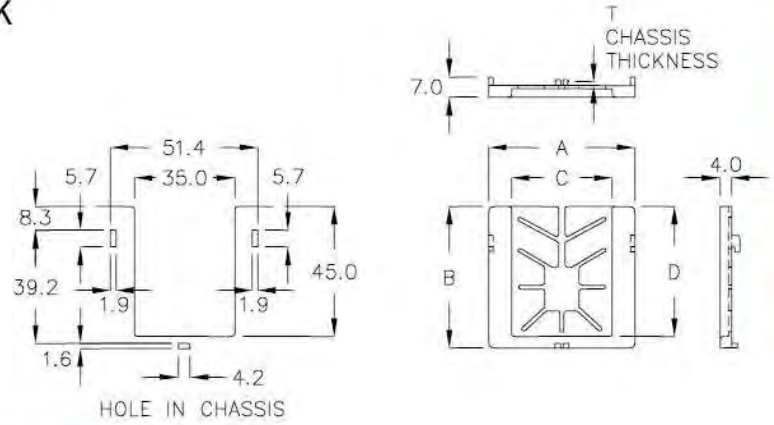


PART NO	A	B	C	D	T CHASSIS THICKNESS	PACKAGE
USM-6M	13.0	16.8	6.4	8.7	0.6	1000



方型護線環 EDGE SADDLE ————— | 2-27-1 |

- MATERIAL: TPE
- COLOR: BLACK

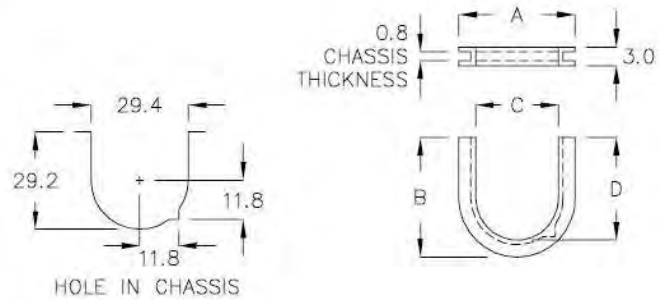


PART NO	A	B	C	D	T CHASSIS THICKNESS	PACKAGE
USCF-51G	51.0	49.0	35.0	45.0	1.0	200



護線套 EDGING ————— | 2-27-2 |

- MATERIAL: NYLON 66(UL)
- FLAME CLASS: 94V-2
- COLOR: BLACK

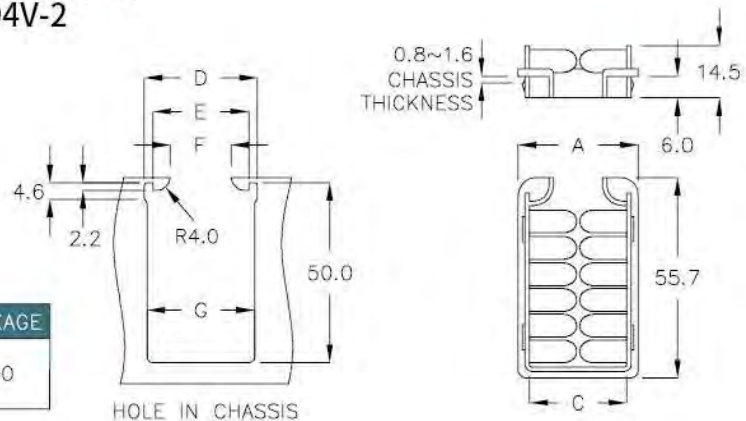


PART NO	A	B	C	D	PACKAGE
UST-27Q	35.1	31.7	27.4	27.8	500



方型護線環 EDGE SADDLE ————— | 2-27-3 |

- MATERIAL: NYLON 66(UL)
- FLAME CLASS: 94V-2
- COLOR: BLACK

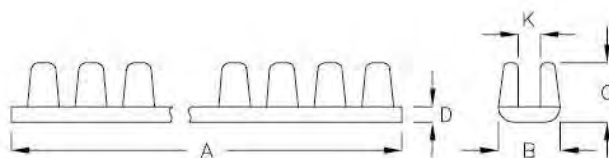


PART NO	A	C	D	E	F	G	PACKAGE
USC-27KH	33.6	27.2	31.6	26.8	17.0	30.0	100
USC-37FG	43.6	37.2	41.6	36.8	29.2	40.0	



活動護線套 MOVABLE BUSHING ———— 2-28-1

- MATERIAL: NYLON 66(UL)
- FLAME CLASS: 94V-2
- COLOR: NATURAL

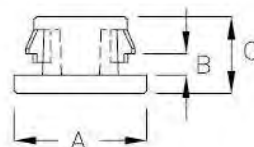
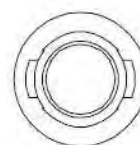


PART NO	A	B	C	D	K	SUITABLE THICKNESS	PACKAGE
US-12.31	31.2	3.2	4.0	1.2	1.1	1.2	2000
US-116.7	66.5	3.7	3.9	1.0	1.0	1.2	
US-127.9	79.0	3.2	4.3	1.3	1.2	1.3	1000
US-2010	100.0	4.4	4.3	1.3	2.0	2.0	
US-0725	256.0	3.2	4.6	1.7	0.7	0.7	
US-0926	260.0	3.1	3.8	0.8	0.9	1.0	
US-1125	256.0	3.4	4.4	1.6	1.0	1.1	
US-1126	265.0	3.5	4.4	1.6	0.9	1.0	
US-1225	256.0	3.2	4.2	1.4	1.2	1.3	
US-1317	176.0	3.7	4.3	1.3	1.3	1.5	500
US-1325	256.0	3.7	4.3	1.3	1.3	1.5	
US-1725	256.0	4.2	4.4	1.4	1.6	1.7	
US-2025	256.0	4.4	4.3	1.4	2.0	2.1	
US-2425	256.0	5.2	4.6	1.7	2.4	2.4	
US-3025	255.0	5.8	4.5	1.25	3.0	3.2	200
US-3525	256.0	6.2	5.5	2.3	3.4	3.6	



塞環 HOLE PLUG ———— 2-28-2

- MATERIAL: NYLON 66(UL)
- FLAME CLASS: 94V-2
- COLOR: BLACK



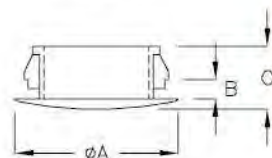
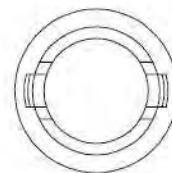
PART NO	CHASSIS THICKNESS	HOLE IN CHASSIS	A	B	C	PACKAGE
M-8A	1.6	ø8.5	ø11.5	1.8	6.6	1000



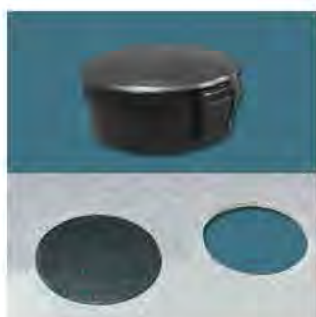
塞環 HOLE PLUG

2-29-1

- MATERIAL: NYLON 66(UL)
- FLAME CLASS: 94V-2
- COLOR: BLACK



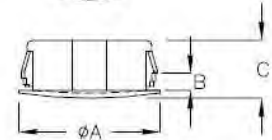
PART NO	MAXIMUM THICKNESS	HOLE IN CHASSIS	A	B	C	PACKAGE
M-3K	1.6	ø3.0~ø3.1	5.2	1.65	4.3	2000
M-3LM	1.6	ø3.4~ø3.6	5.6	1.8	4.3	
M-4DR	1.6	ø3.9~ø4.1	5.8	1.65	5.0	
M-4MF	1.6	ø4.4~ø4.6	6.0	1.65	5.0	
M-4	1.6	ø4.7~ø4.9	6.0	1.8	5.2	
M-5	1.0	ø4.95~ø5.0	7.5	1.3	5.7	
M-6	1.6	ø6.3~ø6.5	7.6	1.8	5.6	1000
M-6A	1.6	ø6.2~ø6.5	8.0	1.85	8.0	
M-7	1.6	ø7.0~ø7.1	11.0	1.9	7.0	
M-8	1.6	ø7.6~ø8.0	9.5	1.8	6.0	
M-9	1.2	ø9.5~ø9.6	13.0	2.0	6.5	
M-10	1.4	ø9.6~ø10.0	13.0	1.8	6.0	
M-11A	1.4	ø11.45~ø11.55	18.6	2.0	7.0	
M-11DC	0.8	ø11.2~ø11.25	15.0	1.35	6.9	
M-13	2.1	ø12.7~ø13.0	17.0	2.3	8.0	
M-16	2.0	ø15.9~ø16.0	20.0	2.3	7.7	



塞環 HOLE PLUG

2-29-2

- MATERIAL: NYLON 66(UL)
- FLAME CLASS: 94V-2
- COLOR: BLACK



PART NO	MAXIMUM THICKNESS	HOLE IN CHASSIS	A	B	C	PACKAGE
M-15	1.6	ø15.0~ø15.1	16.8	1.8	7.0	500
M-19	3.2	ø18.9~ø19.0	23.5	3.5	10.5	
M-22	3.0	ø21.9~ø22.0	26.0	3.4	9.6	
M-22C	3.5	ø21.9~ø22.0	25.8	3.7	11.7	200
M-25	3.2	ø25.4~ø25.6	28.0	4.0	12.7	
M-28A	3.5	ø28.3~ø28.4	32.0	3.9	13.1	
M-30	3.2	ø30.5~ø30.6	34.0	4.0	13.0	
M-32	2.2	ø32.0~ø32.1	35.7	2.6	13.0	

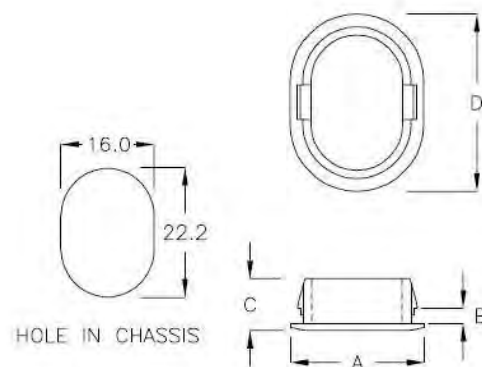


塞環 HOLE PLUG

2-30-1

- MATERIAL: NYLON 66(UL)
- FLAME CLASS: 94V-2
- COLOR: NATURAL, BLACK

PART NO	MAXIMUM THICKNESS	A	B	C	D	PACKAGE
M-22A	2.0	19.4	2.2	7.5	25.6	200

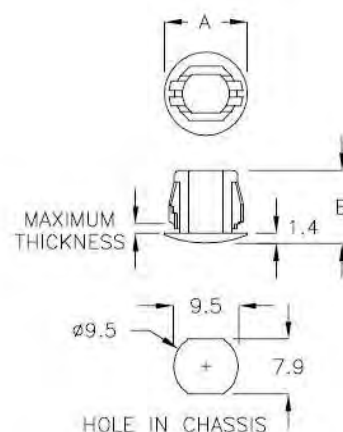


塞頭 HOLE PLUG

2-30-2

- MATERIAL: NYLON 66(UL)
- FLAME CLASS: 94V-2
- COLOR: BLACK

PART NO	MAXIMUM THICKNESS	A	B	PACKAGE
MU-9JP	3,4	ø12.0	10.5	1000

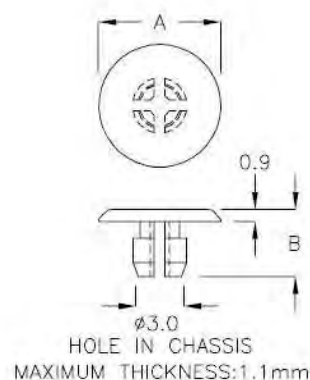


保護蓋 HOLE PROTECTOR

2-30-3

- MATERIAL: NYLON 66(UL)
- FLAME CLASS: 94V-2
- COLOR: BLACK

PART NO	A	B	PACKAGE
MBF-01	ø8.9	4.9	1000



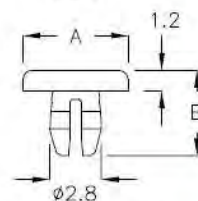
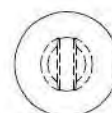


塞頭 HOLE PLUG

2-31-1

- MATERIAL: NYLON 66(UL)
- FLAME CLASS: 94V-2
- COLOR: NATURAL

PART NO	A	B	PACKAGE
MHG-1A	∅6.2	5.0	2000



HOLE IN CHASSIS
CHASSIS THICKNESS: >4.0mm

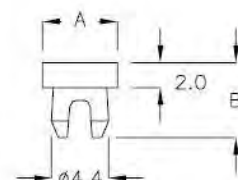


塞頭 HOLE PLUG

2-31-2

- MATERIAL: NYLON 66(UL)
- FLAME CLASS: 94V-2
- COLOR: BLACK

PART NO	A	B	PACKAGE
MHG-02	∅6.0	6.0	2000



HOLE IN CHASSIS
CHASSIS THICKNESS: >1.6mm

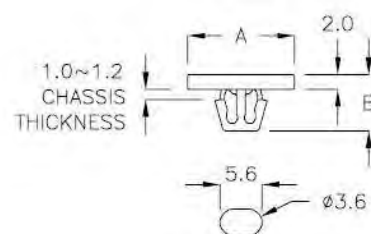


塞頭 HOLE PLUG

2-31-3

- MATERIAL: NYLON 66(UL)
- FLAME CLASS: 94V-2
- COLOR: BLACK

PART NO	A	B	PACKAGE
MMD-01	14.4	7.5	1000



HOLE IN CHASSIS

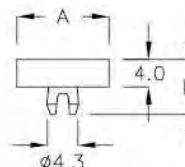


塞頭 HOLE PLUG

2-31-4

- MATERIAL: NYLON 66(UL)
- FLAME CLASS: 94V-2
- COLOR: BLACK

PART NO	A	B	PACKAGE
MHG-04	∅13.4	7.9	2000



HOLE IN CHASSIS
CHASSIS THICKNESS: >4.0mm

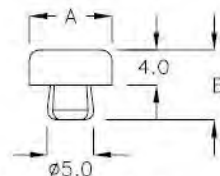


塞頭 HOLE PLUG

2-32-1

- MATERIAL: NYLON 66(UL)
- FLAME CLASS: 94V-2
- COLOR: NATURAL

PART NO	A	B	PACKAGE
MHG-4A	∅9.5	8.0	2000



HOLE IN CHASSIS
CHASSIS THICKNESS: >4.0mm

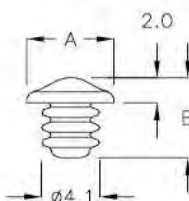


塞頭 HOLE PLUG

2-32-2

- MATERIAL: SILICONE
- COLOR: NATURAL

PART NO	A	B	PACKAGE
SRR-6A	∅7.0	6.4	2000



HOLE IN CHASSIS
CHASSIS THICKNESS: >4.0mm

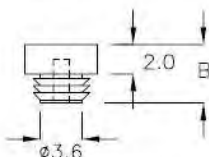
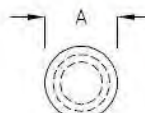


塞頭 HOLE PLUG

2-32-3

- MATERIAL: TPE
- COLOR: BLACK

PART NO	A	B	PACKAGE
MPL-05	∅5.0	4.0	2000



HOLE IN CHASSIS:
CHASSIS THICKNESS: >2.0mm

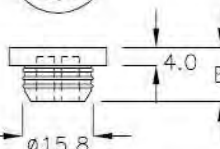


塞頭 HOLE PLUG

2-32-4

- MATERIAL: TPE
- COLOR: BLACK

PART NO	A	B	PACKAGE
MPL-21Q	∅21.8	12.0	100



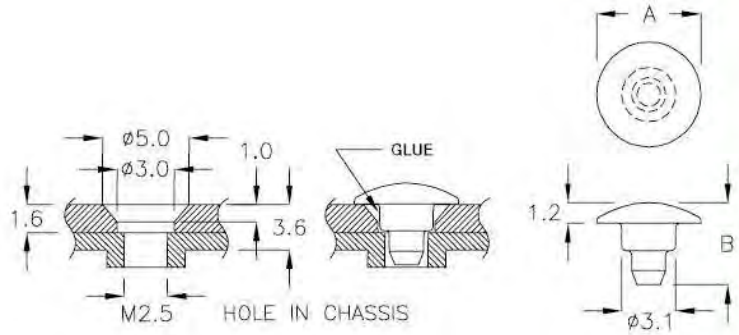
HOLE IN CHASSIS
CHASSIS THICKNESS: >8.0mm



塞頭 HOLE PLUG

2-33-1

- MATERIAL: TPE
- COLOR: BLACK



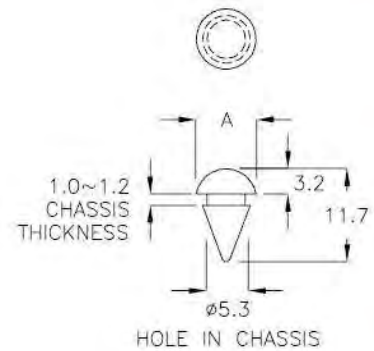
PART NO	A	B	PACKAGE
MPZ-6Q	φ6.0	4.7	2000



塞頭 HOLE PLUG

2-33-2

- MATERIAL: SILICONE
- COLOR: BLACK



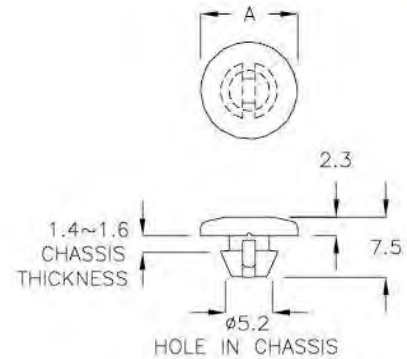
PART NO	A	PACKAGE
MHG-5F	φ7.7	1000



塞頭 HOLE PLUG

2-33-3

- MATERIAL: TPE
- COLOR: BLACK



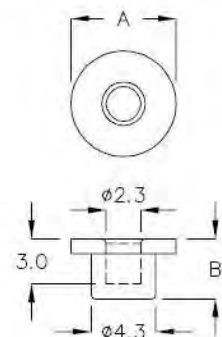
PART NO	A	PACKAGE
MAF-4D	φ12.0	1000



固定座 MOUNT

2-33-4

- MATERIAL: SILICONE
- COLOR: BLACK

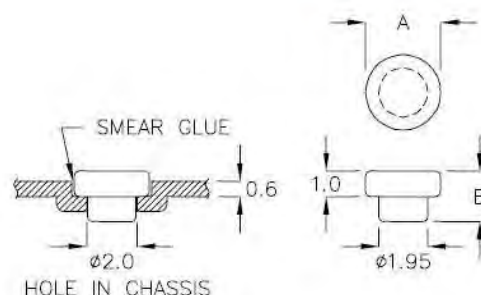


PART NO	A	B	PACKAGE
MMQ-01	φ7.0	4.0	2000



固定座 MOUNT ————— **2-34-1**

- MATERIAL: NYLON 66(UL)
- FLAME CLASS: 94V-2
- COLOR: NATURAL

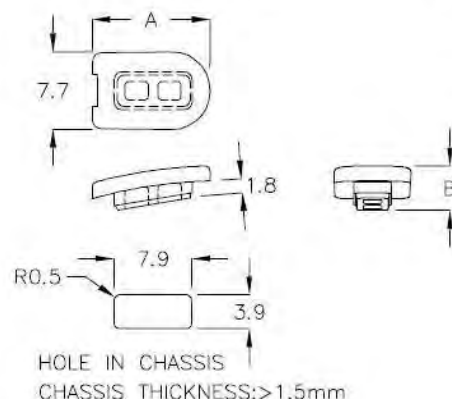


PART NO	A	B	PACKAGE
MMQ-02	$\phi 3.0$	2.0	2000



塞頭 HOLE PLUG ————— **2-34-2**

- MATERIAL: TPE
- COLOR: BLACK

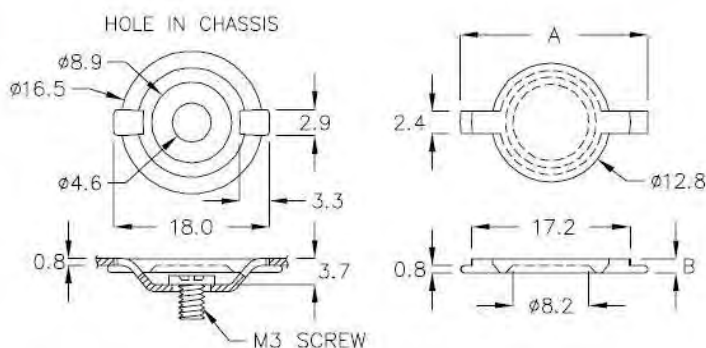


PART NO	A	B	PACKAGE
MXR-7BK	11.75	4.4	1000



塞頭 HOLE PLUG ————— **2-34-3**

- MATERIAL: TPE
- COLOR: BLACK

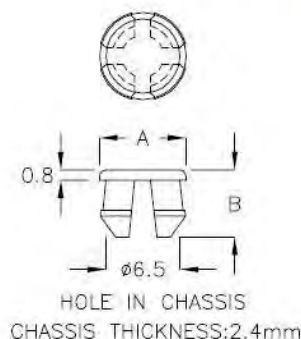


PART NO	A	B	PACKAGE
MXT-12GR	20.3	1.5	1000



塞頭 HOLE PLUG ————— **2-34-4**

- MATERIAL: NYLON 66(UL)
- FLAME CLASS: 94V-2
- COLOR: BLACK



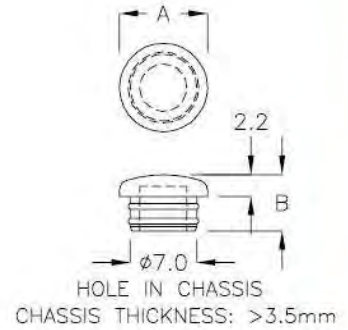
PART NO	A	B	PACKAGE
MBF-6A	$\phi 7.0$	5.4	2000



ANT3 RFID 塞頭 ANT3 RFID HOLE PLUG — 2-35-1 |

- MATERIAL: TPE
- COLOR: BLACK

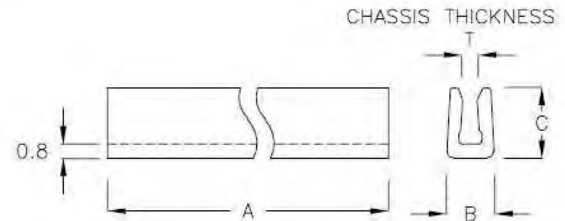
PART NO	A	B	PACKAGE
MPL-9A	∅9.0	5.7	2000



護板套 EDGING — 2-35-2 |

- MATERIAL: NYLON 66(UL)
- FLAME CLASS: 94V-2
- COLOR: NATURAL

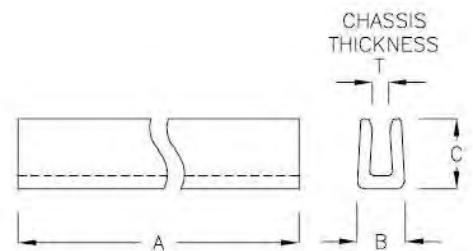
PART NO	A	B	C	T	PACKAGE
VTU-14	14.0	2.4	3.2	0.8	1000
VTU-20DM	20.0	2.8	5.5	1.0	

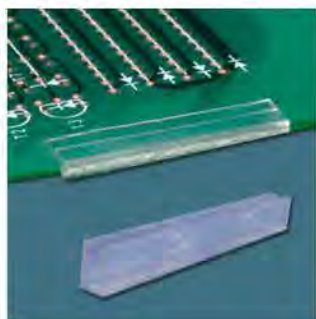


護板套 EDGING — 2-35-3 |

- MATERIAL: NYLON 66(UL)
- FLAME CLASS: 94V-2
- COLOR: NATURAL

PART NO	A	B	C	T CHASSIS THICKNESS	PACKAGE
VTU-20A	20.0	4.8	5.0	2.5	1000
VTU-30C	30.0	4.4	5.0	1.6	
VTU-47	47.0	4.4	5.0	1.6	



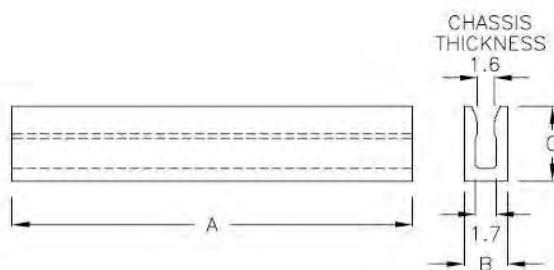


護板套 EDGING

2-36-1

- MATERIAL: PC(UL)
- FLAME CLASS: 94V-2
- COLOR: CLEAR

PART NO	A	B	C	PACKAGE
UTU-30	30.0	3.6	6.0	1000
UTU-60	60.0	3.6	6.0	500
UTU-60A	59.0	5.5	8.0	
UTU120	120.0	5.5	8.0	100

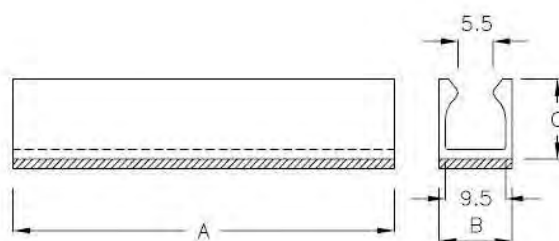


護線套 EDGING

2-36-2

- MATERIAL: NYLON 66(UL)
- FLAME CLASS: 94V-2
- COLOR: BLACK
- ADHESIVE TAPE: 3M

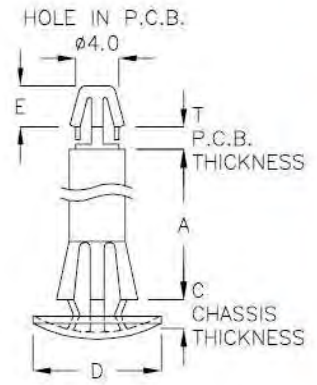
PART NO	A	B	C	PACKAGE
UTU-60C	60.0	11.5	12.5	100





P.C. 板間隔柱 SPACER SUPPORT ————— | 3-21-1 |

- MATERIAL: NYLON 66(UL)
- FLAME CLASS: 94V-2
- COLOR: NATURAL
- HOLE IN CHASSIS: $\phi 5.6$

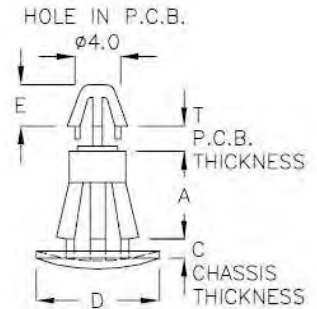


PART NO	A	D	E	C CHASSIS THICKNESS	T P.C.B. THICKNESS	PACKAGE
SCC-34	34.0	$\phi 11.4$	3.6	1.6~1.8	1.4~1.6	500



P.C. 板間隔柱 SPACER SUPPORT ————— | 3-21-2 |

- MATERIAL: NYLON 66(UL)
- FLAME CLASS: 94V-2
- COLOR: NATURAL
- HOLE IN CHASSIS: $\phi 6.0$

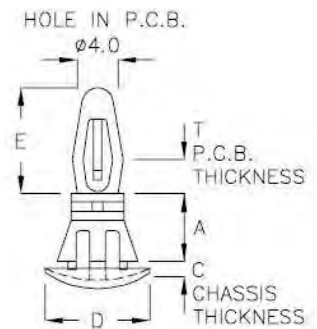


PART NO	A	D	E	C CHASSIS THICKNESS	T P.C.B. THICKNESS	PACKAGE
SCF-5	5.3	$\phi 11.5$	4.0	0.8~1.6	1.2~1.7	1000
SCF-06	6.35	$\phi 11.6$	4.1	0.8~1.6	1.2~1.7	
SCF-8	8.2	$\phi 11.6$	4.0	0.8~1.6	1.2~1.7	500
SCF-10	10.0	$\phi 11.6$	4.1	0.8~1.6	1.2~1.7	
SCF-12	12.7	$\phi 11.6$	4.0	0.8~1.6	1.2~1.7	
SCF-15AP	15.9	$\phi 11.0$	3.0	0.8~2.0	1.2~1.7	
SCF-21J	21.6	$\phi 11.5$	4.0	0.6~0.8	1.2~1.6	



P.C. 板間隔柱 SPACER SUPPORT ————— | 3-21-3 |

- MATERIAL: NYLON 66(UL)
- FLAME CLASS: 94V-2
- COLOR: NATURAL
- HOLE IN CHASSIS: $\phi 6.0$

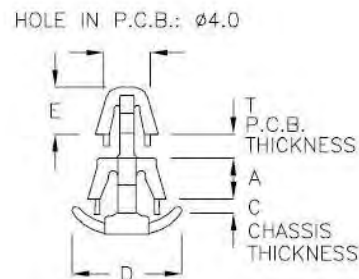


PART NO	A	D	E	C CHASSIS THICKNESS	T P.C.B. THICKNESS	PACKAGE
SCD-6A	6.4	$\phi 10.0$	10.0	0.8~1.2	1.2~1.7	1000



P.C. 板間隔柱 SPACER SUPPORT 3-22-1

- MATERIAL: NYLON 66(UL)
- FLAME CLASS: 94V-2
- COLOR: NATURAL
- HOLE IN CHASSIS: $\phi 5.5$

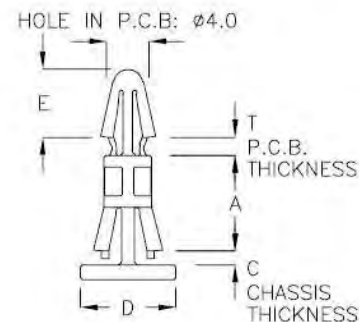


PART NO	A	T P.C.B. THICKNESS	C CHASSIS THICKNESS	D	E	PACKAGE
SCP-3A	3.5	1.4~1.6	0.5~0.8	$\phi 9.5$	4.0	2000



P.C. 板間隔柱 SPACER SUPPORT 3-22-2

- MATERIAL: NYLON 66(UL)
- FLAME CLASS: 94V-2
- COLOR: NATURAL
- HOLE IN CHASSIS: $\phi 5.5$

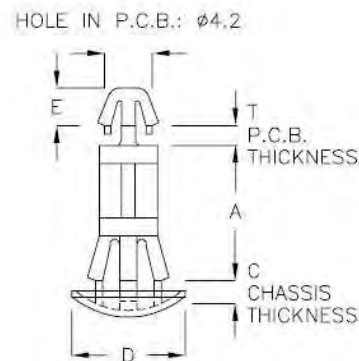


PART NO	A	T P.C.B. THICKNESS	C CHASSIS THICKNESS	D	E	PACKAGE
SDA-10	10.0	1.2~1.6	0.8~1.2	$\phi 10.0$	7.1	1000



P.C. 板間隔柱 SPACER SUPPORT 3-22-3

- MATERIAL: NYLON 66(UL)
- FLAME CLASS: 94V-2
- COLOR: NATURAL
- HOLE IN CHASSIS: $\phi 5.5$



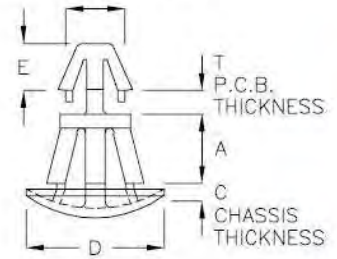
PART NO	A	T P.C.B. THICKNESS	C CHASSIS THICKNESS	D	E	PACKAGE
SCM-19	19.0	1.0	0.6~0.8	$\phi 10.0$	3.3	500
SCM-25	25.0	1.6	0.6~0.8	$\phi 10.0$	2.7	



P.C. 板間隔柱 SPACER SUPPORT 3-23-1

- MATERIAL: NYLON 66(UL)
- FLAME CLASS: 94V-2
- COLOR: NATURAL
- HOLE IN CHASSIS: $\phi 5.5$

HOLE IN P.C.B.: $\phi 4.2$



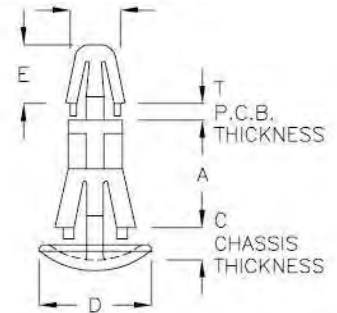
PART NO	A	T P.C.B. THICKNESS	C CHASSIS THICKNESS	D	E	PACKAGE
SCM-05	5.0	1.6	0.6	$\phi 10.0$	3.3	1000



P.C. 板間隔柱 SPACER SUPPORT 3-23-2

- MATERIAL: NYLON 66(UL)
- FLAME CLASS: 94V-2
- COLOR: NATURAL
- HOLE IN CHASSIS: $\phi 5.5$

HOLE IN P.C.B.: $\phi 4.3$



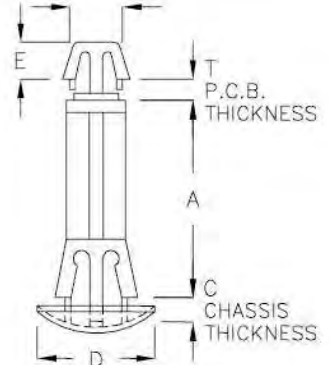
PART NO	A	T P.C.B. THICKNESS	C CHASSIS THICKNESS	D	E	PACKAGE
SCL-9	9.0	1.1	1.5~1.8	$\phi 9.5$	5.1	500



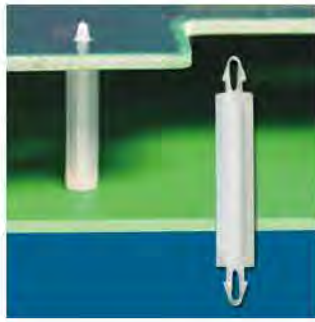
P.C. 板間隔柱 SPACER SUPPORT 3-23-3

- MATERIAL: NYLON 66(UL)
- FLAME CLASS: 94V-2
- COLOR: NATURAL
- HOLE IN CHASSIS: $\phi 5.5$

HOLE IN P.C.B.: $\phi 4.5$



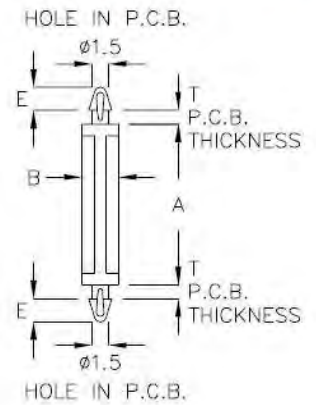
PART NO	A	T P.C.B. THICKNESS	C CHASSIS THICKNESS	D	E	PACKAGE
SCA-19	19.0	1.6	0.8	$\phi 10.0$	3.1	1000



P.C. 板間隔柱 SPACER SUPPORT

3-24-1

- MATERIAL: NYLON 66(UL)
- FLAME CLASS: 94V-2
- COLOR: NATURAL



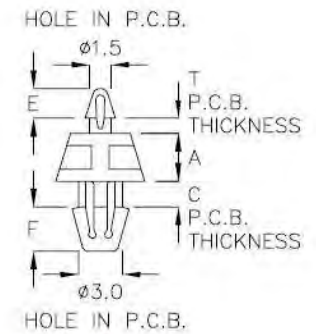
PART NO	A	B	E	T P.C.B. THICKNESS	PACKAGE
MCL-14	14.0	φ3.2	2.0	1.0	2000



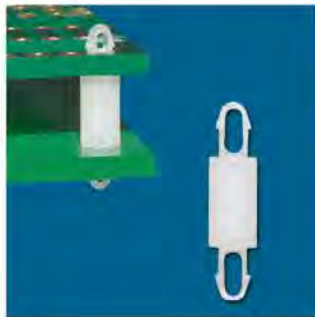
P.C. 板間隔柱 SPACER SUPPORT

3-24-2

- MATERIAL: NYLON 66(UL)
- FLAME CLASS: 94V-2
- COLOR: NATURAL



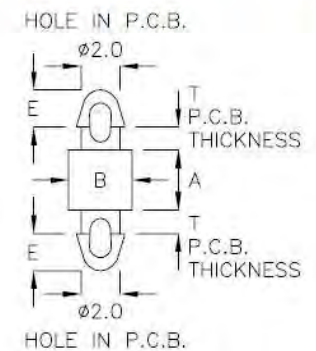
PART NO	A	E	F	C P.C.B. THICKNESS	T P.C.B. THICKNESS	PACKAGE
KHA-3A	3.2	2.0	2.95	1.6	0.8	2000



P.C. 板間隔柱 SPACER SUPPORT

3-24-3

- MATERIAL: NYLON 66(UL)
- FLAME CLASS: 94V-2
- COLOR: NATURAL



PART NO	A	B	E	T P.C.B. THICKNESS	PACKAGE
MCS-2A	2.2	φ3.2	1.85	1.0	2000
MCS-2F	2.2	φ3.2	1.85	1.6	
MCS-03	3.0	φ3.2	1.95	1.0	
MCS-3DF	3.5	φ3.2	1.85	1.0	
MCS-04	4.0	φ3.2	1.85	1.0	
MCS-4GW	4.1	φ3.2	1.9	0.9	
MCS-4A	4.5	φ3.2	1.85	1.0	
MCS-4C	4.0	φ3.2	1.85	1.6	
MCS-4F	4.5	φ3.2	1.85	1.6	
MCS-05	5.0	φ3.2	1.85	1.0	
MCS-5A	5.5	φ3.2	1.85	1.0	

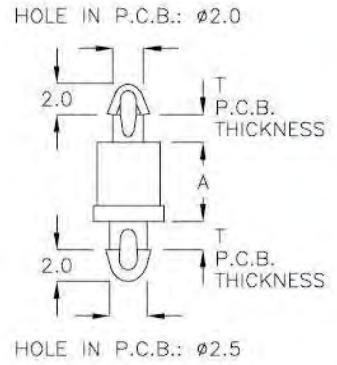
PART NO	A	B	E	T P.C.B. THICKNESS	PACKAGE
MCS-5C	5.0	φ3.2	1.85	1.6	2000
MCS-5F	5.5	φ3.2	1.85	1.6	
MCS-06	6.0	φ3.2	1.85	1.0	
MCS-6A	6.5	φ3.2	1.85	1.0	
MCS-6C	6.0	φ3.2	1.85	1.6	
MCS-6F	6.5	φ3.2	1.85	1.6	
MCS-08	8.0	φ3.2	1.85	1.0	
MCS-8C	8.0	φ3.2	1.85	1.6	
MCS-10A	10.5	φ3.2	2.1	1.6	
MCS-18	18.2	φ3.0	1.5	1.0	
MCS-22	22.0	φ3.2	2.0	1.6	



P.C. 板間隔柱 SPACER SUPPORT ———— | 3-25-1 |

- MATERIAL: NYLON 66(UL)
- FLAME CLASS: 94V-2
- COLOR: NATURAL

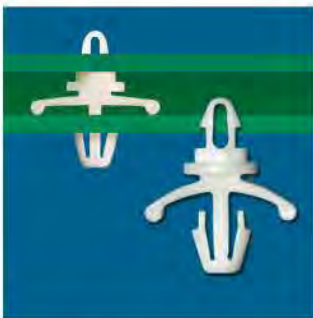
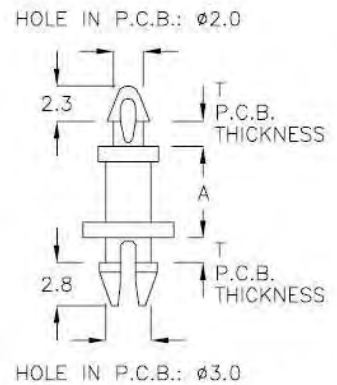
PART NO	A	T P.C.B. THICKNESS	PACKAGE
MEA-2M	2.5	1.6	2000
MEA-4M	4.5	1.6	
MEA-05	5.0	1.6	
MEA-5M	5.5	1.6	
MEA-6M	6.5	1.6	



P.C. 板間隔柱 SPACER SUPPORT ———— | 3-25-2 |

- MATERIAL: NYLON 66(UL)
- FLAME CLASS: 94V-2
- COLOR: NATURAL

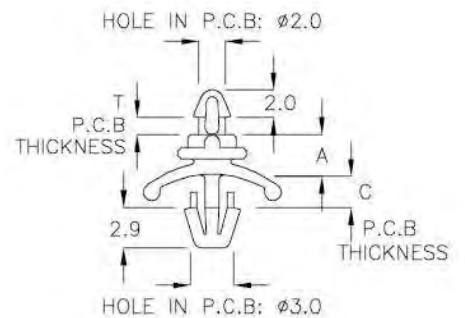
PART NO	A	T P.C.B. THICKNESS	PACKAGE
MCJ-6	6.0	1.6	2000



P.C. 板間隔柱 SPACER SUPPORT ———— | 3-25-3 |

- MATERIAL: NYLON 66(UL)
- FLAME CLASS: 94V-2
- COLOR: NATURAL

PART NO	A	T P.C.B. THICKNESS	C P.C.B. THICKNESS	PACKAGE
LBK-04	3.0	0.8~1.0	0.8~1.6	2000

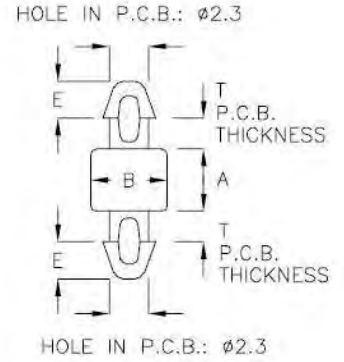




P.C. 板間隔柱 SPACER SUPPORT 3-26-1

- MATERIAL: NYLON 66(UL)
- FLAME CLASS: 94V-2
- COLOR: NATURAL

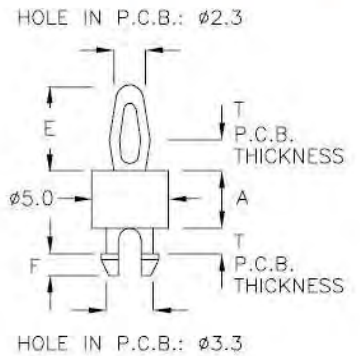
PART NO	A	B	T P.C.B. THICKNESS	E	PACKAGE
MCK-3A	3.5	φ4.4	1.7	2.2	2000



P.C. 板間隔柱 SPACER SUPPORT 3-26-2

- MATERIAL: NYLON 66(UL)
- FLAME CLASS: 94V-2
- COLOR: NATURAL

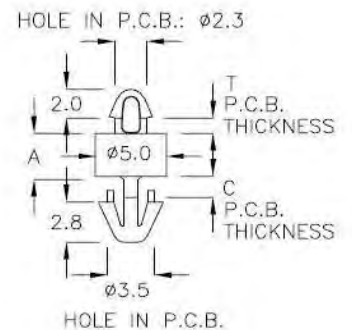
PART NO	A	T P.C.B. THICKNESS	E	F	PACKAGE
MCA-4	3.8	0.8~1.6	5.8	1.5	2000
MCA-06	6.0	0.8~1.6	5.8	1.4	

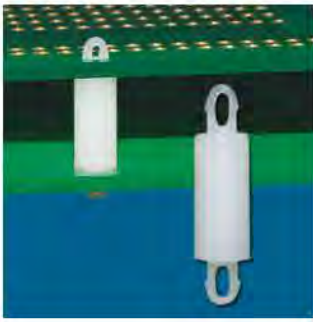


P.C. 板間隔柱 SPACER SUPPORT 3-26-3

- MATERIAL: NYLON 66(UL)
- FLAME CLASS: 94V-2
- COLOR: NATURAL

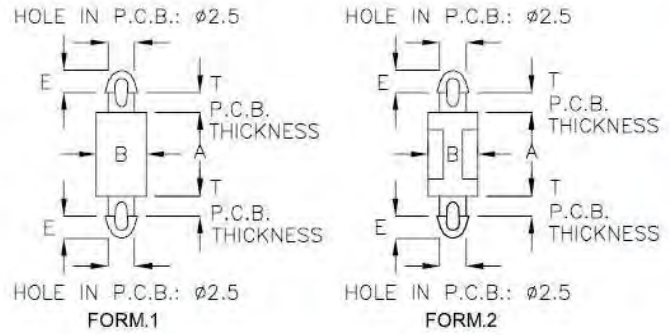
PART NO	A	T P.C.B. THICKNESS	C P.C.B. THICKNESS	PACKAGE
MEG-03	3.0	0.9	1.6	2000
MEG-06	6.0	1.6	2.3	





P.C. 板間隔柱 SPACER SUPPORT ———— | 3-27-1 |

- MATERIAL: NYLON 66(UL)
- FLAME CLASS: 94V-2
- COLOR: NATURAL



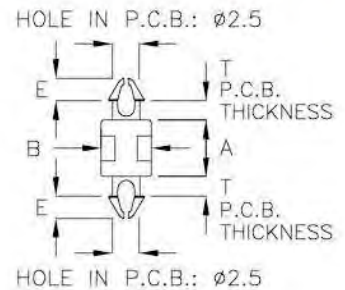
PART NO	A	B	E	T	FORM	PACKAGE
MCD2-2	2.0	$\phi 4.5$	2.2	1.2~1.6	1	2000
MCD2-2M	2.5	$\phi 4.5$	2.0	1.2~1.6	1	
MCD2-3	3.0	$\phi 4.5$	2.2	1.2~1.6	1	
MCD2-3A	3.2	$\phi 4.3$	2.2	1.2~1.6	1	
MCD2-3M	3.5	$\phi 4.5$	2.0	1.2~1.6	1	
MCD2-4	4.0	$\phi 4.5$	2.2	1.2~1.6	1	
MCD2-4M	4.5	$\phi 4.5$	2.1	1.2~1.6	1	
MCD2-5	5.0	$\phi 4.5$	2.2	1.2~1.6	1	
MCD2-5M	5.5	$\phi 4.5$	2.0	1.2~1.6	1	

PART NO	A	B	E	T	FORM	PACKAGE
MCD2-6	6.0	$\phi 4.6$	2.2	1.2~1.6	1	2000
MCD2-6M	6.5	$\phi 4.5$	2.0	1.2~1.6	1	
MCD2-7	7.0	$\phi 4.5$	2.4	1.2~1.6	1	
MCD2-7A	7.5	$\phi 4.5$	2.2	1.6~1.8	2	
MCD2-8	8.0	$\phi 4.5$	2.2	1.2~1.6	1	
MCD2-9M	9.5	$\phi 4.5$	2.0	1.2~1.6	1	1000
MCD2-10	10.0	$\phi 4.5$	2.2	1.2~1.6	1	
MCD2-12	12.0	$\phi 4.5$	2.2	1.2~1.6	1	
MCD2-20	20.0	$\phi 4.5$	2.0	1.2~1.6	2	



P.C. 板間隔柱 SPACER SUPPORT ———— | 3-27-2 |

- MATERIAL: NYLON 66(UL)
- FLAME CLASS: 94V-2
- COLOR: NATURAL

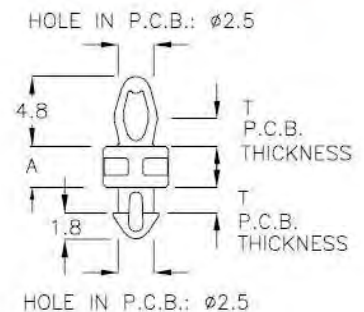


PART NO	A	B	E	T P.C.B. THICKNESS	PACKAGE
UCX-5K	5.0	$\phi 4.5$	2.0	1.2~1.6	2000



P.C. 板間隔柱 SPACER SUPPORT ———— | 3-27-3 |

- MATERIAL: NYLON 66(UL)
- FLAME CLASS: 94V-2
- COLOR: NATURAL

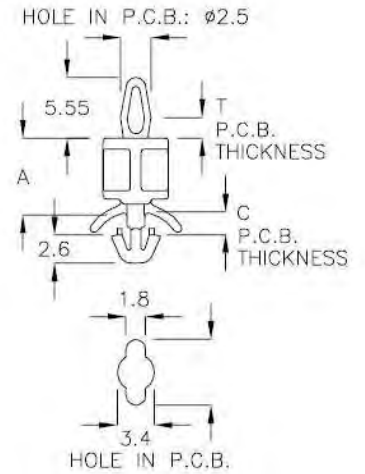


PART NO	A	T P.C.B. THICKNESS	PACKAGE
MQD-2DK	2.8	1.4~1.6	2000



P.C. 板間隔柱 SPACER SUPPORT 3-28-1

- MATERIAL: NYLON 66(UL)
- FLAME CLASS: 94V-2
- COLOR: NATURAL

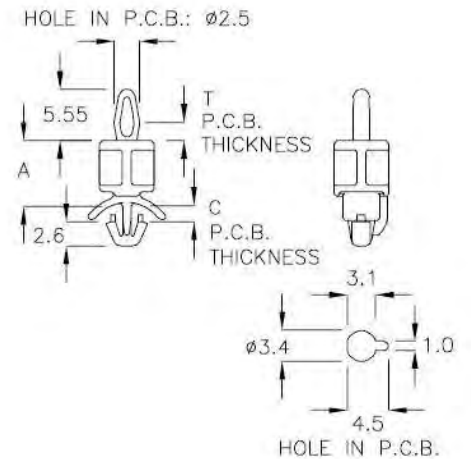


PART NO	A	T P.C.B. THICKNESS	C P.C.B. THICKNESS	PACKAGE
LCY-7MR	7.0	1.6	1.0~1.6	1000



P.C. 板間隔柱 SPACER SUPPORT 3-28-2

- MATERIAL: NYLON 66(UL)
- FLAME CLASS: 94V-2
- COLOR: NATURAL

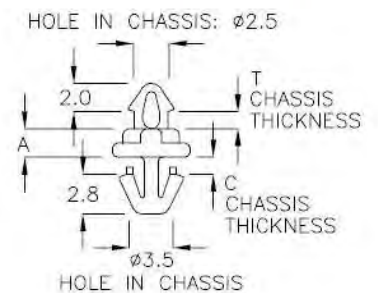


PART NO	A	T P.C.B. THICKNESS	C P.C.B. THICKNESS	PACKAGE
LCY-7SA	7.0	1.6	1.0~1.6	1000



P.C. 板間隔柱 SPACER SUPPORT 3-28-3

- MATERIAL: NYLON 66(UL)
- FLAME CLASS: 94V-2
- COLOR: NATURAL

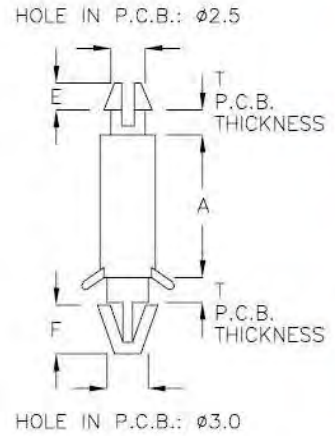


PART NO	A	T CHASSIS THICKNESS	C CHASSIS THICKNESS	PACKAGE
MEH-02	2.0	1.0	1.0	2000

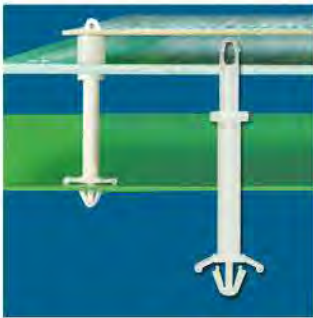


P.C. 板間隔柱 SPACER SUPPORT ———— | 3-29-1 |

- MATERIAL: NYLON 66(UL)
- FLAME CLASS: 94V-2
- COLOR: NATURAL

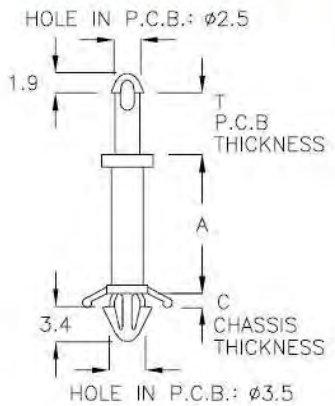


PART NO	A	T P.C.B. THICKNESS	E	F	PACKAGE
LCA2-5	5.0	1.0~1.7	1.7	3.3	2000
LCA2-8	7.7	1.0~1.7	1.7	3.3	
LCA2-9	9.0	1.0~1.7	1.7	3.3	
LCA2-10	9.9	1.0~1.7	1.7	3.3	
LCA2-12	11.6	1.0~1.7	1.7	3.3	
LCA2-14	13.6	1.0~1.7	1.6	3.3	
LCA2-16	15.7	1.0~1.7	1.7	3.3	



P.C. 板間隔柱 SPACER SUPPORT ———— | 3-29-2 |

- MATERIAL: NYLON 66(UL)
- FLAME CLASS: 94V-2
- COLOR: NATURAL

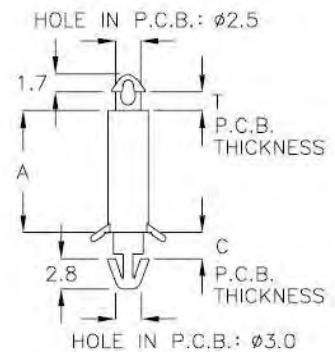


PART NO	A	T P.C.B. THICKNESS	C CHASSIS THICKNESS	PACKAGE
LCJ-19	19.0	7.4	0.3~0.6	500

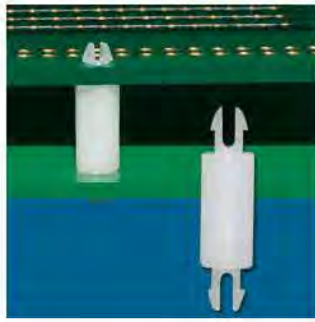


P.C. 板間隔柱 SPACER SUPPORT ———— | 3-29-3 |

- MATERIAL: NYLON 66(UL)
- FLAME CLASS: 94V-2
- COLOR: NATURAL



PART NO	A	T P.C.B. THICKNESS	C P.C.B. THICKNESS	PACKAGE
LCR-11A	11.6	1.6	2.0	1000

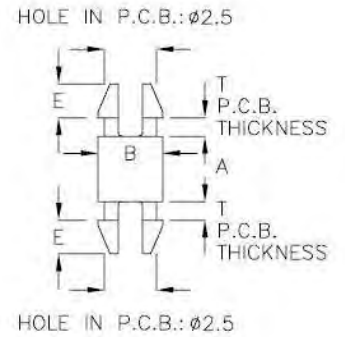


P.C. 板間隔柱 SPACER SUPPORT

3-30-1

- MATERIAL: NYLON 66(UL)
- FLAME CLASS: 94V-2
- COLOR: NATURAL

PART NO	A	B	T P.C.B. THICKNESS	E	PACKAGE
UCF-03	3.0	∅3.0	0.8	1.5	2000
UCF-9H	9.5	∅4.5	1.6	1.8	1000

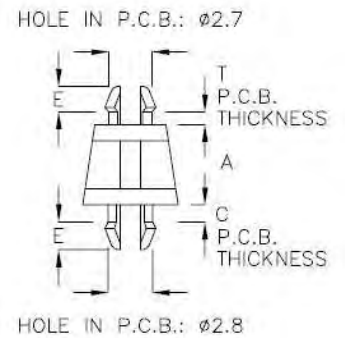


P.C. 板間隔柱 SPACER SUPPORT

3-30-2

- MATERIAL: NYLON 66(UL)
- FLAME CLASS: 94V-2
- COLOR: NATURAL

PART NO	A	T P.C.B. THICKNESS	C P.C.B. THICKNESS	E	PACKAGE
UCC-05	5.0	0.8	1.0	1.6	2000

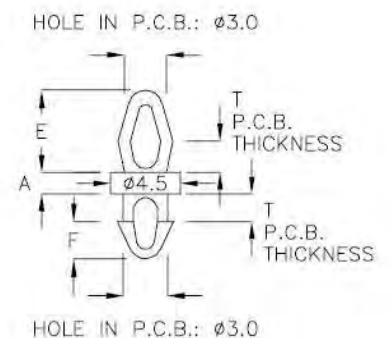


P.C. 板間隔柱 SPACER SUPPORT

3-30-3

- MATERIAL: NYLON 66(UL)
- FLAME CLASS: 94V-2
- COLOR: NATURAL

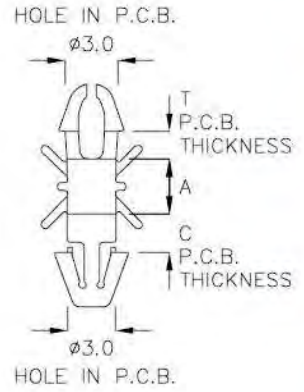
PART NO	A	T P.C.B. THICKNESS	E	F	PACKAGE
MCM-2A	1.4	1.4~1.6	5.4	2.4	2000
MCM-02	2.0	1.4~1.6	5.3	2.4	





P.C. 板間隔柱 SPACER SUPPORT 3-31-1

- MATERIAL: NYLON 66(UL)
- FLAME CLASS: 94V-2
- COLOR: NATURAL

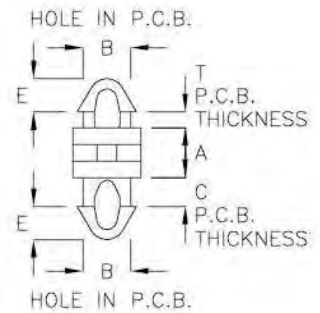


PART NO	A	C P.C.B. THICKNESS	T P.C.B. THICKNESS	PACKAGE
LCX-3A	3.25	1.4~1.6	0.8~1.0	2000

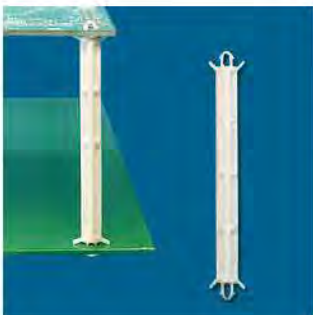


P.C. 板間隔柱 SPACER SUPPORT 3-31-2

- MATERIAL: NYLON 66(UL)
- FLAME CLASS: 94V-2
- COLOR: NATURAL

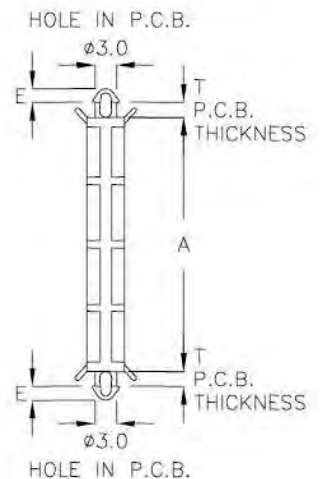


PART NO	A	E	B HOLE IN P.C.B.	C P.C.B. THICKNESS	T P.C.B. THICKNESS	PACKAGE
MCL-03	3.0	2.1	ø3.0	1.6	0.8	2000
MCL-18	18.0	2.2	ø1.5	1.0	1.0	



P.C. 板間隔柱 SPACER SUPPORT 3-31-3

- MATERIAL: NYLON 66(UL)
- FLAME CLASS: 94V-2
- COLOR: NATURAL



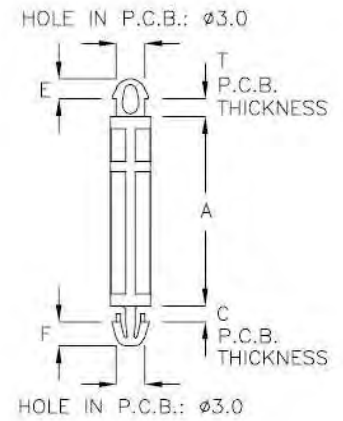
PART NO	A	E	T P.C.B. THICKNESS	PACKAGE
DMK-49J	49.6	1.8	1.6	500



P.C. 板間隔柱 SPACER SUPPORT | 3-32-1 |

- MATERIAL: NYLON 66(UL)
- FLAME CLASS: 94V-2
- COLOR: NATURAL

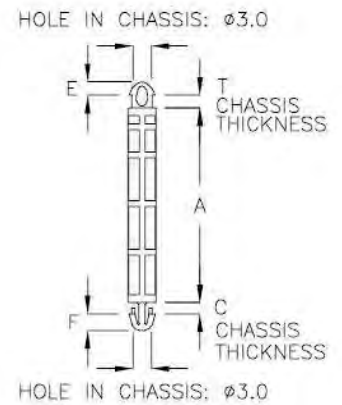
PART NO	A	T P.C.B. THICKNESS	C P.C.B. THICKNESS	E	F	PACKAGE
MCY-25	25.0	1.4 ~ 1.6	1.0 ~ 1.2	2.0	2.4	500
MCY-26A	26.8	1.4 ~ 1.6	1.0 ~ 1.2	2.0	2.4	



P.C. 板間隔柱 SPACER SUPPORT | 3-32-2 |

- MATERIAL: NYLON 66(UL)
- FLAME CLASS: 94V-2
- COLOR: NATURAL

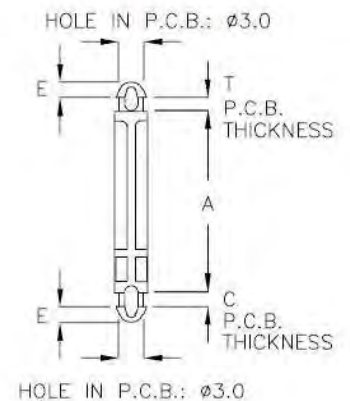
PART NO	A	T P.C.B. THICKNESS	C P.C.B. THICKNESS	E	F	PACKAGE
MCY-36P	36.5	1.6	1.2	2.0	2.4	500



P.C. 板間隔柱 SPACER SUPPORT | 3-32-3 |

- MATERIAL: NYLON 66(UL)
- FLAME CLASS: 94V-2
- COLOR: NATURAL

PART NO	A	T P.C.B. THICKNESS	C P.C.B. THICKNESS	E	PACKAGE
MCH-28A	28.2	1.0 ~ 1.2	1.4 ~ 1.6	1.9	500

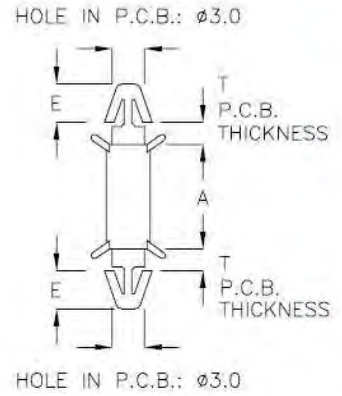




P.C. 板間隔柱 SPACER SUPPORT ———— | **3-33-1** |

- MATERIAL: NYLON 66(UL)
- FLAME CLASS: 94V-2
- COLOR: NATURAL

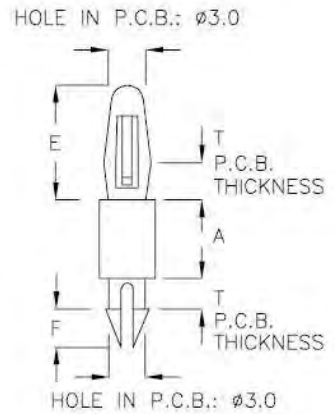
PART NO	A	T P.C.B. THICKNESS	E	PACKAGE
LCA3-3A	3.1	1.0~1.7	3.2	2000
LCA3-3	3.2	1.0~1.7	3.2	
LCA3-7	6.8	1.6~1.9	3.2	
LCA3-11	11.5	1.0~1.6	3.2	1000
LCA3-15	15.2	1.0~1.6	3.2	
LCA3-20	19.8	1.0~1.8	3.2	
LCA3-25	25.0	1.6~1.7	3.2	500



P.C. 板間隔柱 SPACER SUPPORT ———— | **3-33-2** |

- MATERIAL: NYLON 66(UL)
- FLAME CLASS: 94V-2
- COLOR: NATURAL

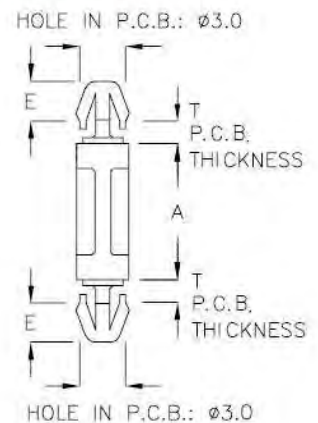
PART NO	A	T P.C.B. THICKNESS	E	F	PACKAGE
MCB3-6	6.35	1.2~1.7	9.1	3.3	2000
MCB3-12	12.7	1.2~1.7	9.1	3.3	1000



P.C. 板間隔柱 SPACER SUPPORT ———— | **3-33-3** |

- MATERIAL: NYLON 66(UL)
- FLAME CLASS: 94V-2
- COLOR: NATURAL

PART NO	A	T P.C.B. THICKNESS	E	PACKAGE
MCF-2A	2.5	1.2~1.8	3.6	2000
MCF-03	3.0	1.2~1.8	3.7	
MCF-3M	3.5	1.2~1.8	3.6	
MCF-04	4.0	1.2~1.8	3.7	
MCF-4M	4.5	1.2~1.8	3.6	
MCF-05	5.0	1.2~1.8	3.7	
MCF-5M	5.5	1.2~1.8	3.6	
MCF-6	6.35	1.2~1.8	3.7	
MCF-07	7.0	1.2~1.8	3.7	
MCF-8	8.0	1.2~1.8	3.7	
MCF-09	9.0	1.2~2.0	3.6	
MCF-10	9.7	1.2~1.8	3.7	
MCF-12	12.7	1.2~1.8	3.7	
MCF-57	57.0	1.4~1.6	3.5	500

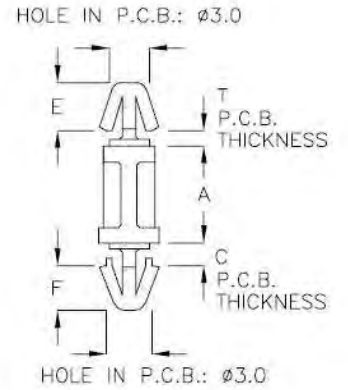




P.C. 板間隔柱 SPACER SUPPORT ———— 3-34-1

- MATERIAL: NYLON 66(UL)
- FLAME CLASS: 94V-2
- COLOR: NATURAL

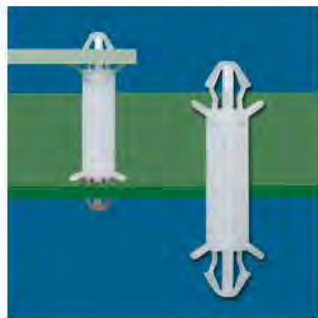
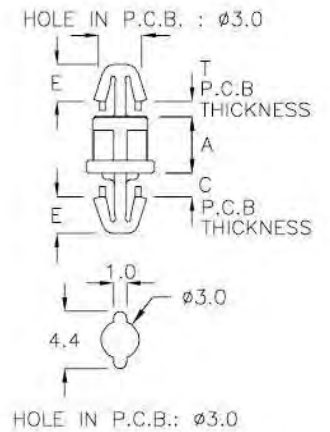
PART NO	A	T P.C.B. THICKNESS	C P.C.B. THICKNESS	E	F	PACKAGE
MCF-6A	6.0	0.8~1.0	1.2~1.7	3.6	3.6	2000
MCF-3RK	3.1	1.0~1.35	1.5~1.7	3.5	2.5	



P.C. 板間隔柱 SPACER SUPPORT ———— 3-34-2

- MATERIAL: NYLON 66(UL)
- FLAME CLASS: 94V-2
- COLOR: NATURAL

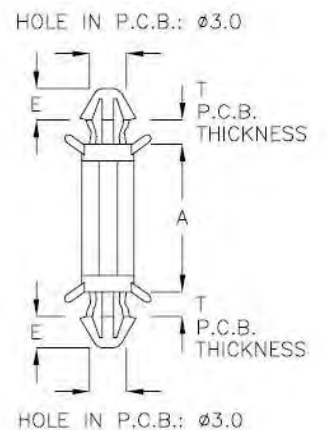
PART NO	A	T P.C.B. THICKNESS	C P.C.B. THICKNESS	E	PACKAGE
MQY-4MA	4.3	0.8~1.0	1.4~1.6	2.8	2000



P.C. 板間隔柱 SPACER SUPPORT ———— 3-34-3

- MATERIAL: NYLON 66(UL)
- FLAME CLASS: 94V-2
- COLOR: NATURAL

PART NO	A	T P.C.B. THICKNESS	E	PACKAGE
LTA3-10M	10.5	1.2~1.6	2.5	1000
LTA3-12	12.0	1.2~1.6	2.5	
LTA3-13	13.0	1.2~1.6	2.5	
LTA3-18M	18.3	1.2~1.6	2.5	
LTA3-36A	36.8	0.8~1.8	2.5	500
LTA3-40	40.0	1.2~1.6	2.5	

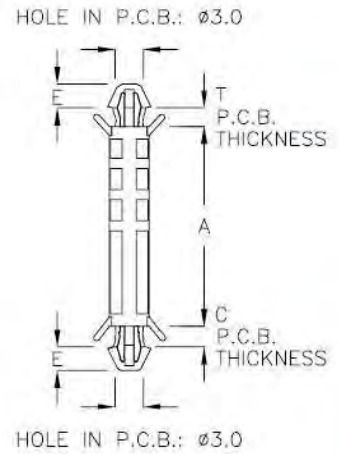




P.C. 板間隔柱 SPACER SUPPORT ———— | 3-35-1 |

- MATERIAL: NYLON 66(UL)
- FLAME CLASS: 94V-2
- COLOR: NATURAL

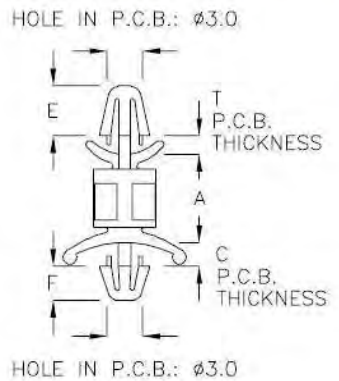
PART NO	A	T P.C.B. THICKNESS	C P.C.B. THICKNESS	E	PACKAGE
LTA3-40A	40.8	1.2~1.6	1.4~1.6	2.4	1000
LTA3-41A	41.5	1.2~1.6	1.4~1.8	2.4	



P.C. 板間隔柱 SPACER SUPPORT ———— | 3-35-2 |

- MATERIAL: NYLON 66(UL)
- FLAME CLASS: 94V-2
- COLOR: NATURAL

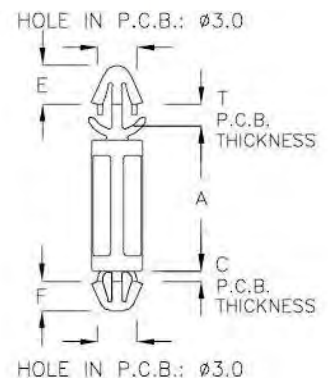
PART NO	A	T P.C.B. THICKNESS	C P.C.B. THICKNESS	E	F	PACKAGE
LBD-7A	7.65	0.8~1.0	1.4~1.6	4.0	2.7	1000

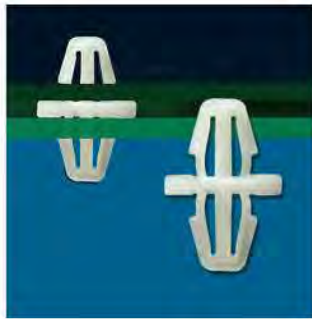


P.C. 板間隔柱 SPACER SUPPORT ———— | 3-35-3 |

- MATERIAL: NYLON 66(UL)
- FLAME CLASS: 94V-2
- COLOR: NATURAL

PART NO	A	T P.C.B. THICKNESS	C P.C.B. THICKNESS	E	F	PACKAGE
MQF-14DC	14.4	1.2~1.6	0.6	3.05	2.35	1000

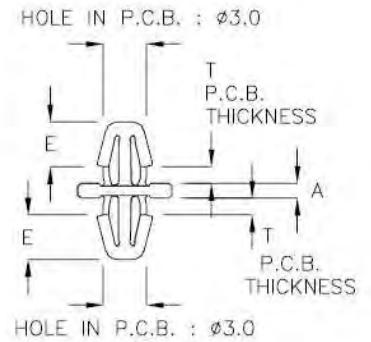




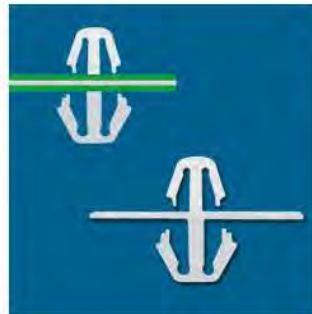
P.C. 板間隔柱 SPACER SUPPORT

3-36-1

- MATERIAL: NYLON 66(UL)
- FLAME CLASS: 94V-2
- COLOR: NATURAL



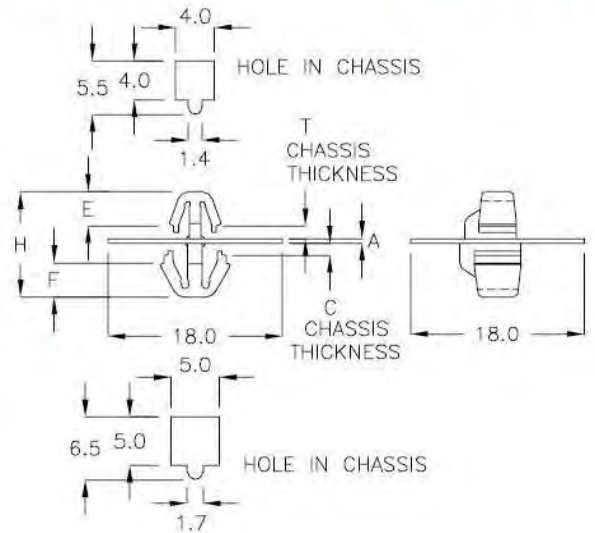
PART NO	A	T CHASSIS THICKNESS	E	PACKAGE
MCQ-1AT	1.0	1.0	3.1	2000



P.C. 板間隔柱 SPACER SUPPORT

3-36-2

- MATERIAL: NYLON 66(UL)
- FLAME CLASS: 94V-2
- COLOR: NATURAL



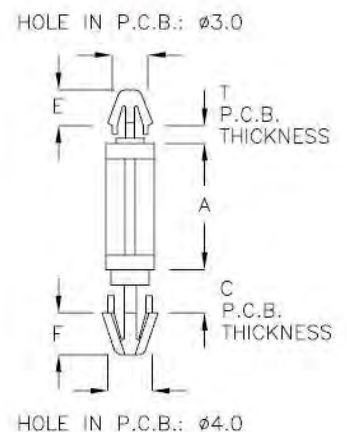
PART NO	A	T CHASSIS THICKNESS	C CHASSIS THICKNESS	E	F	H	PACKAGE
MCI-1GS	0.5	1.0	1.0~1.5	3.5	3.5	10.8	1000
MCI-1JR	0.5	0.5	1.0~1.5	3.5	3.5	10.1	



P.C. 板間隔柱 SPACER SUPPORT

3-36-3

- MATERIAL: NYLON 66(UL)
- FLAME CLASS: 94V-2
- COLOR: NATURAL

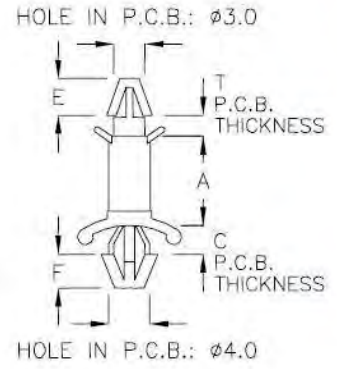


PART NO	A	T P.C.B. THICKNESS	C P.C.B. THICKNESS	E	F	PACKAGE
MCN-31	31.0	1.2~1.6	3.6~4.0	3.5	4.1	1000



P.C. 板間隔柱 SPACER SUPPORT 3-37-1

- MATERIAL: NYLON 66(UL)
- FLAME CLASS: 94V-2
- COLOR: NATURAL

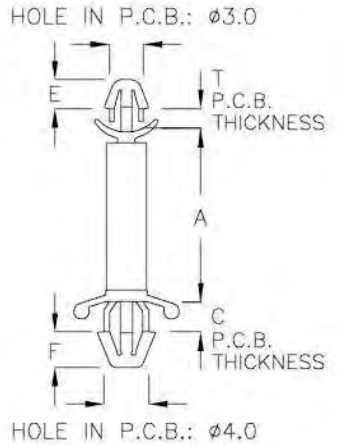


PART NO	A	T P.C.B. THICKNESS	C P.C.B. THICKNESS	E	F	PACKAGE
LCB3-8	7.4	0.8~1.7	0.8~2.0	3.5	3.5	1000
LCB3-10	10.0	0.8~1.7	0.8~2.0	3.5	3.5	
LCB3-13	13.0	1.2~1.6	0.8~1.8	3.5	3.3	



P.C. 板間隔柱 SPACER SUPPORT 3-37-2

- MATERIAL: NYLON 66(UL)
- FLAME CLASS: 94V-2
- COLOR: NATURAL

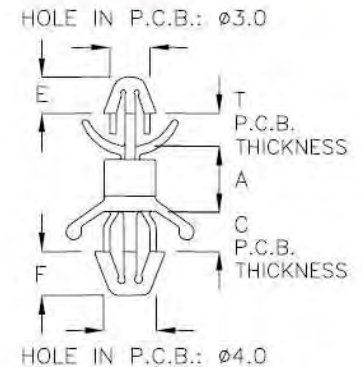


PART NO	A	T P.C.B. THICKNESS	C P.C.B. THICKNESS	E	F	PACKAGE
LCBA-15L	16.4	0.8~1.8	1.2~2.0	2.8	3.4	1000



P.C. 板間隔柱 SPACER SUPPORT 3-37-3

- MATERIAL: NYLON 66(UL)
- FLAME CLASS: 94V-2
- COLOR: NATURAL



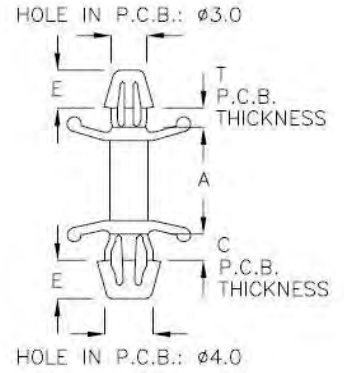
PART NO	A	T P.C.B. THICKNESS	C P.C.B. THICKNESS	E	F	PACKAGE
LBCM-5GA	5.0	0.8~2.0	1.2~2.6	2.8	3.4	1000



P.C. 板間隔柱 SPACER SUPPORT 3-38-1

- MATERIAL: NYLON 66(UL)
- FLAME CLASS: 94V-2
- COLOR: NATURAL

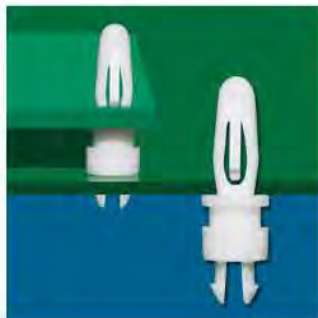
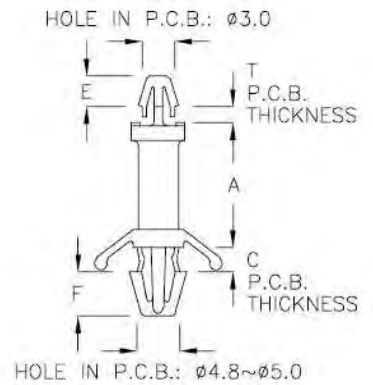
PART NO	A	T P.C.B. THICKNESS	C P.C.B. THICKNESS	E	PACKAGE
LCH-6A	6.6	0.6~1.0	1.6~1.8	3.1	1000
LCH-8A	8.6	0.6~1.0	1.6~1.8	3.1	



P.C. 板間隔柱 SPACER SUPPORT 3-38-2

- MATERIAL: NYLON 66(UL)
- FLAME CLASS: 94V-2
- COLOR: NATURAL

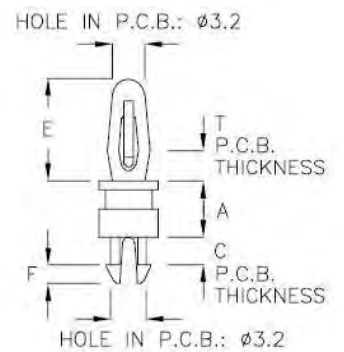
PART NO	A	T P.C.B. THICKNESS	C P.C.B. THICKNESS	E	F	PACKAGE
MQC-14	13.9	1.4~1.6	0.8~2.0	3.5	5.1	1000



P.C. 板間隔柱 SPACER SUPPORT 3-38-3

- MATERIAL: NYLON 66(UL)
- FLAME CLASS: 94V-2
- COLOR: NATURAL

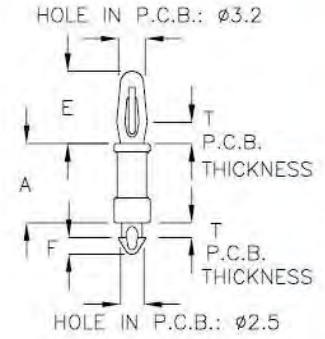
PART NO	A	T P.C.B. THICKNESS	C P.C.B. THICKNESS	E	F	PACKAGE
MCX-4A	4.8	1.4~1.6	1.4~1.6	8.7	1.6	2000
MCX-4GR	4.0	1.4~1.6	0.8~1.0	8.7	1.6	





P.C. 板間隔柱 SPACER SUPPORT 3-39-1

- MATERIAL: NYLON 66(UL)
- FLAME CLASS: 94V-2
- COLOR: NATURAL

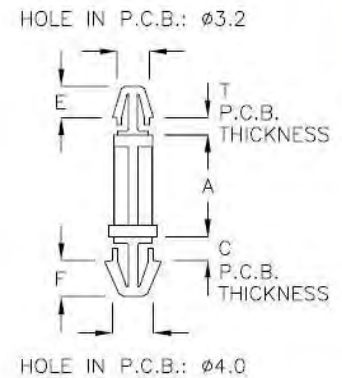


PART NO	A	T P.C.B. THICKNESS	E	F	PACKAGE
MCX-9C	9.5	1.4 ~ 1.6	8.7	2.0	2000



P.C. 板間隔柱 SPACER SUPPORT 3-39-2

- MATERIAL: NYLON 66(UL)
- FLAME CLASS: 94V-2
- COLOR: NATURAL

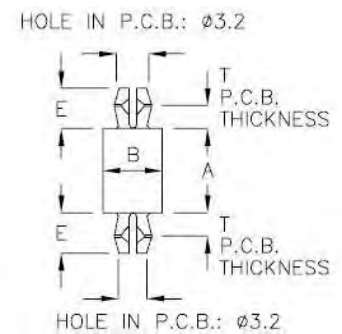


PART NO	A	T P.C.B. THICKNESS	C P.C.B. THICKNESS	E	F	PACKAGE
MCZ-10A	10.5	1.4~1.6	2.1~2.3	3.3	3.7	2000
MCZ-10MR	10.45	1.4~1.6	1.8~2.0	3.1	2.7	



P.C. 板間隔柱 SPACER SUPPORT 3-39-3

- MATERIAL: NYLON 66(UL)
- FLAME CLASS: 94V-2
- COLOR: NATURAL



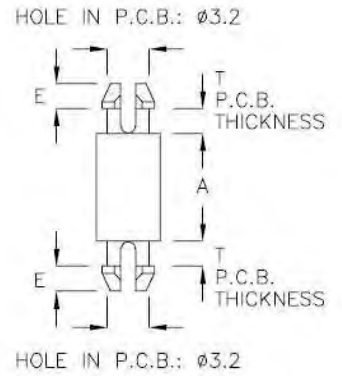
PART NO	A	B	T P.C.B. THICKNESS	E	PACKAGE
MCP-7A	7.9	$\phi 5.6$	1.4 ~ 1.6	3.8	2000



P.C. 板間隔柱 SPACER SUPPORT | 3-40-1 |

- MATERIAL: NYLON 66(UL)
- FLAME CLASS: 94V-2
- COLOR: NATURAL

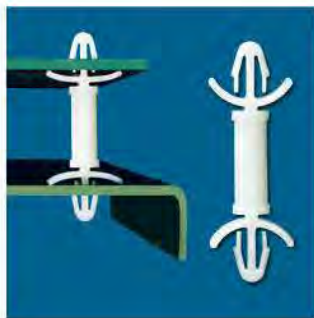
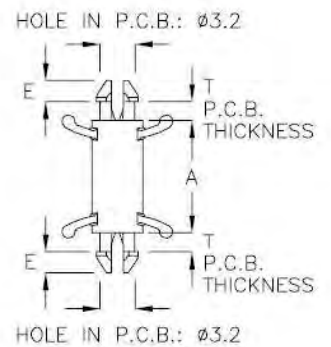
PART NO	A	T P.C.B. THICKNESS	E	PACKAGE
UCD-10A	10.1	1.4 ~ 1.6	1.9	2000
UCD-11A	11.1	1.4 ~ 1.6	1.9	
UCD-16A	15.9	1.4 ~ 1.6	1.9	1000



P.C. 板間隔柱 SPACER SUPPORT | 3-40-2 |

- MATERIAL: NYLON 66(UL)
- FLAME CLASS: 94V-2
- COLOR: NATURAL, BLACK

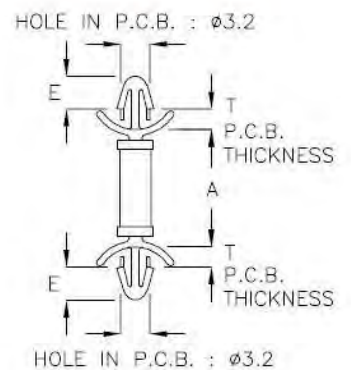
PART NO	A	T P.C.B. THICKNESS	E	PACKAGE
UCK-10F	10.1	1.4 ~ 1.6	1.9	2000



P.C. 板間隔柱 SPACER SUPPORT | 3-40-3 |

- MATERIAL: NYLON 66(UL)
- FLAME CLASS: 94V-2
- COLOR: NATURAL

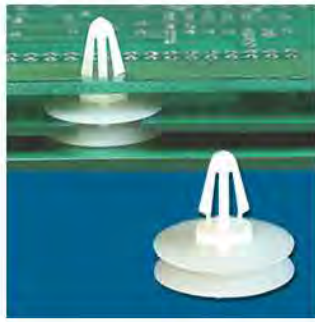
PART NO	A	T P.C.B. THICKNESS	E	PACKAGE
LCS-14D	14.3	0.8~2.0	4.0	1000



03



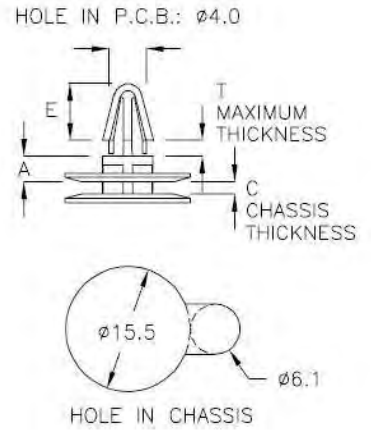
P.C. 板間隔柱
SPACER SUPPORT



P.C. 板間隔柱 SPACER SUPPORT | 3-2-1

- MATERIAL: NYLON 66(UL)
- FLAME CLASS: 94V-2
- COLOR: NATURAL

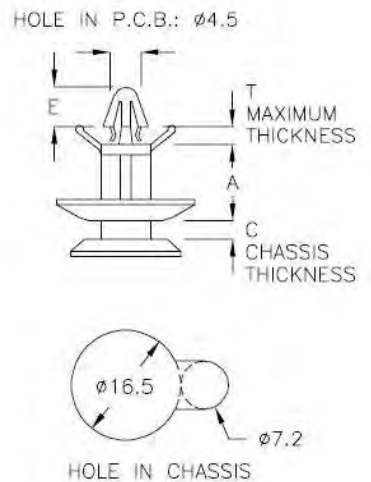
PART NO	A	T MAXIMUM THICKNESS	C CHASSIS THICKNESS	E	PACKAGE
LSA-2A	3.0	1.6	1.2	6.8	500



P.C. 板間隔柱 SPACER SUPPORT | 3-2-2

- MATERIAL: NYLON 66(UL)
- FLAME CLASS: 94V-2
- COLOR: NATURAL

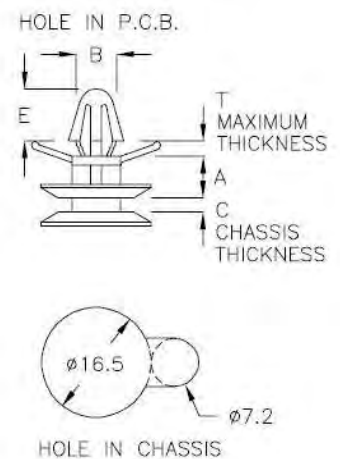
PART NO	A	T MAXIMUM THICKNESS	C CHASSIS THICKNESS	E	PACKAGE
LSD-9B	8.6	4.0	2.5	5.8	500
LSD-11A	11.1	2.0	2.5	5.8	
LSD-12	12.1	1.6	2.5	5.8	
LSD-12A	12.1	2.0	2.5	5.8	
LSD-14	14.0	1.6	2.5	5.8	



P.C. 板間隔柱 SPACER SUPPORT | 3-2-3

- MATERIAL: NYLON 66(UL)
- FLAME CLASS: 94V-2
- COLOR: NATURAL

PART NO	A	B	T MAXIMUM THICKNESS	C CHASSIS THICKNESS	E	PACKAGE
LSD-4A	4.5	4.5	2.0	2.5	5.8	500
LSD-6	6.0	6.0	1.6	1.8	7.6	
LSD-9A	9.5	4.5	1.6	1.8	5.8	
LSD-9C	8.6	6.0	1.6	1.8	7.6	
LSD-13A	13.3	6.0	1.6	1.8	7.6	

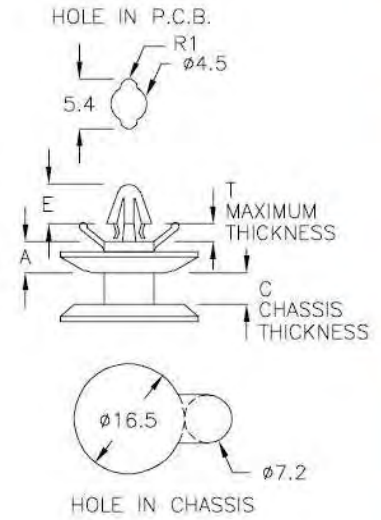




P.C. 板間隔柱 SPACER SUPPORT

3-3-1

- MATERIAL: NYLON 66(UL)
- FLAME CLASS: 94V-2
- COLOR: NATURAL



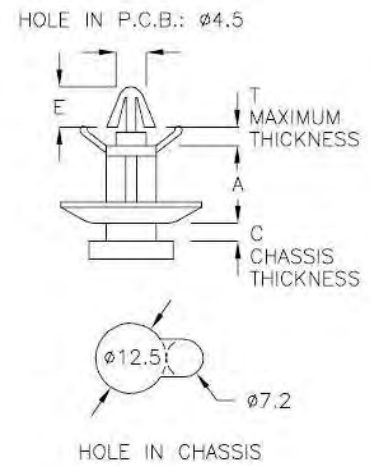
PART NO	A	T MAXIMUM THICKNESS	C CHASSIS THICKNESS	E	PACKAGE
LSD-8	3.3	2.0	2.5	6.5	500
LSD-8C	3.2	2.0	5.0	6.5	



P.C. 板間隔柱 SPACER SUPPORT

3-3-2

- MATERIAL: NYLON 66(UL)
- FLAME CLASS: 94V-2
- COLOR: NATURAL



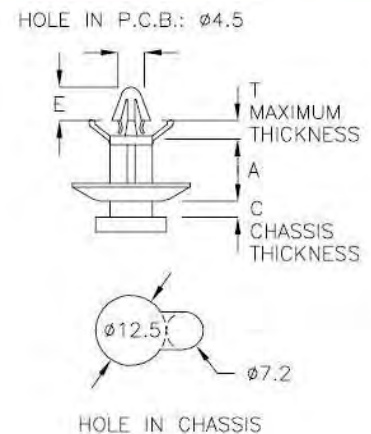
PART NO	A	T MAXIMUM THICKNESS	C CHASSIS THICKNESS	E	PACKAGE
LSD-11	11.0	2.0	2.2	5.8	500



P.C. 板間隔柱 SPACER SUPPORT

3-3-3

- MATERIAL: NYLON 66(UL)
- FLAME CLASS: 94V-2
- COLOR: NATURAL



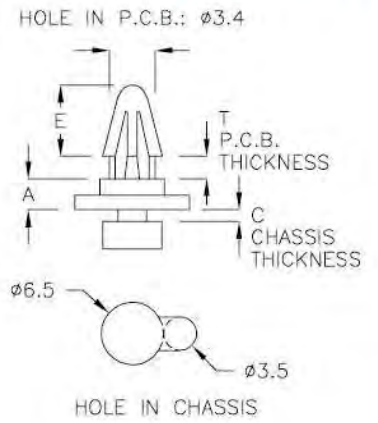
PART NO	A	T MAXIMUM THICKNESS	C CHASSIS THICKNESS	E	PACKAGE
LSD-11C	11.0	2.0	2.1	5.8	500



P.C. 板間隔柱 SPACER SUPPORT

3-4-1

- MATERIAL: NYLON 66(UL)
- FLAME CLASS: 94V-2
- COLOR: NATURAL



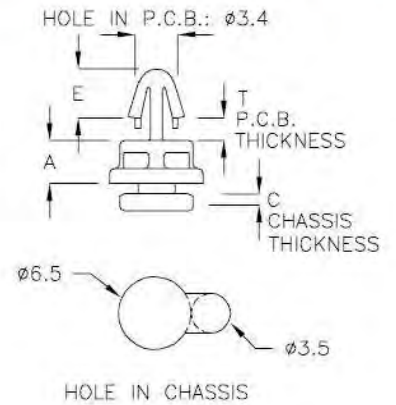
PART NO	A	T P.C.B. THICKNESS	C CHASSIS THICKNESS	E	PACKAGE
ACBS-3C	3.5	1.4~1.8	0.8~1.0	7.1	1000



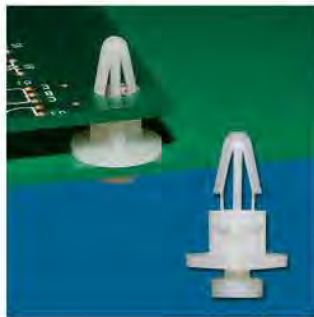
P.C. 板間隔柱 SPACER SUPPORT

3-4-2

- MATERIAL: NYLON 66(UL)
- FLAME CLASS: 94V-2
- COLOR: NATURAL



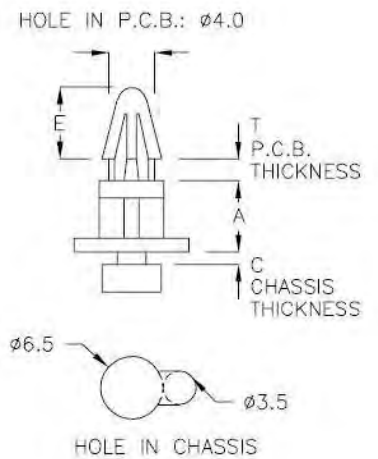
PART NO	A	T P.C.B. THICKNESS	C CHASSIS THICKNESS	E	PACKAGE
ACMS-3RK	3.5	1.6	0.6	4.0	1000



P.C. 板間隔柱 SPACER SUPPORT

3-4-3

- MATERIAL: NYLON 66(UL)
- FLAME CLASS: 94V-2
- COLOR: NATURAL

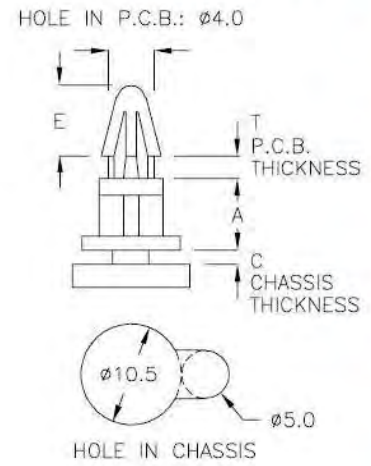


PART NO	A	T P.C.B. THICKNESS	C CHASSIS THICKNESS	E	PACKAGE
ACBS-2	2.5	1.4~1.7	0.8~1.4	7.1	1000
ACBS-3A	3.5	1.4~1.7	0.8~1.0	7.1	
ACBS-5	5.0	1.2~1.7	0.8~1.4	7.1	
ACBS-6	6.5	1.2~1.7	0.8~1.2	7.3	
ACBS-6B	6.35	1.4~1.9	0.8~1.4	7.1	
ACBS-6C	6.35	1.4~2.0	0.8~1.4	7.2	
ACBS-6M	6.85	1.2~1.6	0.5~0.8	7.0	
ACBS-8	8.0	1.4~1.8	0.8~1.4	7.1	
ACBS-10	10.0	1.4~1.8	0.8~1.5	7.1	
ACBS-12	12.7	1.4~1.8	1.0~1.6	7.1	



P.C. 板間隔柱 SPACER SUPPORT 3-5-1

- MATERIAL: NYLON 66(UL)
- FLAME CLASS: 94V-2
- COLOR: NATURAL

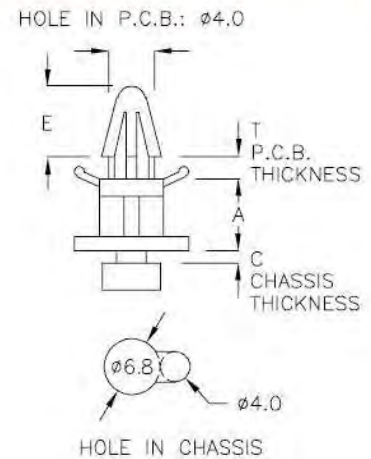


PART NO	A	T P.C.B. THICKNESS	C CHASSIS THICKNESS	E	PACKAGE
ACBS-8A	8.0	1.4~1.9	1.6~2.2	7.1	1000



P.C. 板間隔柱 SPACER SUPPORT 3-5-2

- MATERIAL: NYLON 66(UL)
- FLAME CLASS: 94V-2
- COLOR: NATURAL

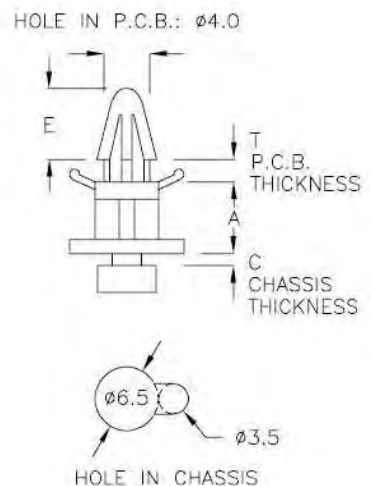


PART NO	A	T P.C.B. THICKNESS	C CHASSIS THICKNESS	E	PACKAGE
ACBS-6K	6.5	1.8~2.3	0.6~0.8	7.1	1000



P.C. 板間隔柱 SPACER SUPPORT 3-5-3

- MATERIAL: NYLON 66(UL)
- FLAME CLASS: 94V-2
- COLOR: NATURAL



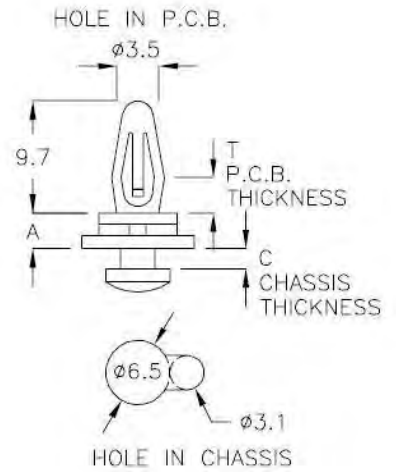
PART NO	A	T P.C.B. THICKNESS	C CHASSIS THICKNESS	E	PACKAGE
ACBS-6T	6.4	1.5~2.3	0.8~1.5	7.1	1000
ACBS-17T	17.0	1.4~1.8	0.8~0.8	7.1	500
ACBS-74T	74.0	1.4~1.6	1.0~1.2	7.3	200



P.C. 板間隔柱 SPACER SUPPORT | 3-6-1

- MATERIAL: NYLON 66(UL)
- FLAME CLASS: 94V-2
- COLOR: NATURAL

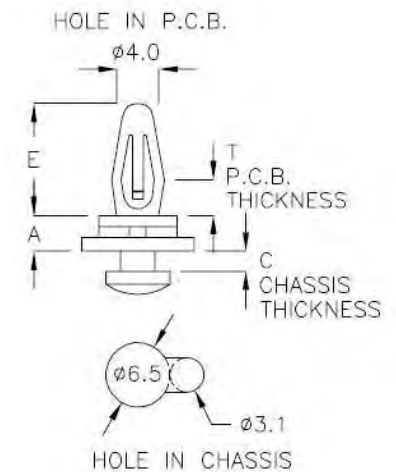
PART NO	A	T P.C.B. THICKNESS	C CHASSIS THICKNESS	PACKAGE
AF-003	3.2	1.6	1.0~1.7	1000



P.C. 板間隔柱 SPACER SUPPORT | 3-6-2

- MATERIAL: NYLON 66(UL)
- FLAME CLASS: 94V-2
- COLOR: NATURAL

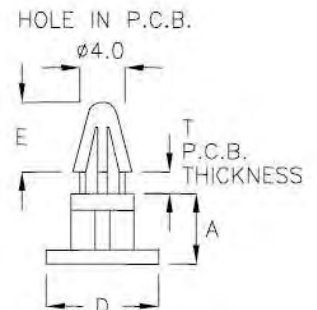
PART NO	A	T P.C.B. THICKNESS	C CHASSIS THICKNESS	E	PACKAGE
AC-003	3.2	1.6	1.0~1.7	10.3	1000
AC-006	6.4	1.6	1.0~1.7	10.2	



P.C. 板間隔柱 SPACER SUPPORT | 3-6-3

- MATERIAL: NYLON 66(UL)
- FLAME CLASS: 94V-2
- COLOR: NATURAL

PART NO	A	T P.C.B. THICKNESS	D	E	PACKAGE
ACBS-6Y	6.4	1.2~1.6	$\phi 11.8$	7.2	1000
ACBS-8X	8.0	1.2~1.7	$\phi 15.0$	7.2	
ACBS-8Y	8.0	1.2~1.7	$\phi 11.6$	7.2	
ACBS-8K	8.0	1.2~1.7	$\phi 18.0$	7.1	
ACT-17	17.0	1.4~1.8	$\phi 11.3$	7.0	

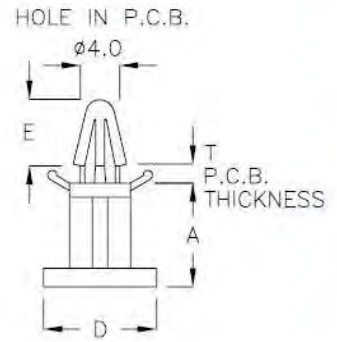




P.C. 板間隔柱 SPACER SUPPORT 3-7-1

- MATERIAL: NYLON 66(UL)
- FLAME CLASS: 94V-2
- COLOR: NATURAL

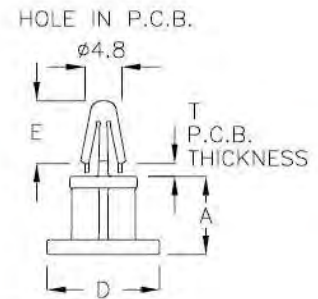
PART NO	A	T P.C.B. THICKNESS	D	E	PACKAGE
ACBS-8D	8.0	1.2~1.6	φ11.8	7.5	1000
ACBS-9K	8.5	1.6~2.2	φ12.0	6.0	
ACBS-9Y	9.0	1.2~1.6	φ12.0	7.1	
ACBS-10Y	10.0	1.2~1.6	φ12.0	7.1	
ACBS-11Y	11.0	1.2~1.6	φ11.9	7.1	



P.C. 板間隔柱 SPACER SUPPORT 3-7-2

- MATERIAL: NYLON 66(UL)
- FLAME CLASS: 94V-2
- COLOR: BLACK

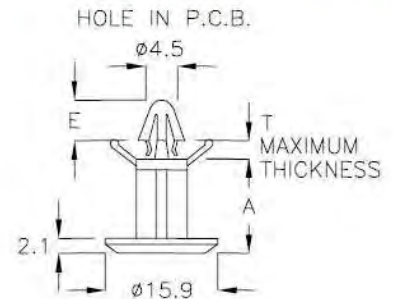
PART NO	A	T P.C.B. THICKNESS	D	E	PACKAGE
ACBK-9HG	9.6	1.6	φ15.0	8.3	1000



P.C. 板間隔柱 SPACER SUPPORT 3-7-3

- MATERIAL: NYLON 66(UL)
- FLAME CLASS: 94V-2
- COLOR: NATURAL

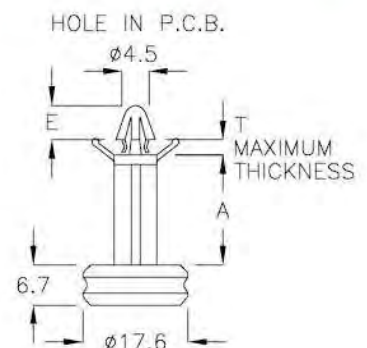
PART NO	A	T MAXIMUM THICKNESS	E	PACKAGE
LSD-13	13.3	2.0	5.8	500



P.C. 板間隔柱 SPACER SUPPORT 3-7-4

- MATERIAL: NYLON 66(UL)
- FLAME CLASS: 94V-2
- COLOR: NATURAL

PART NO	A	T MAXIMUM THICKNESS	E	PACKAGE
LSD-21	19.0	2.0	5.8	200



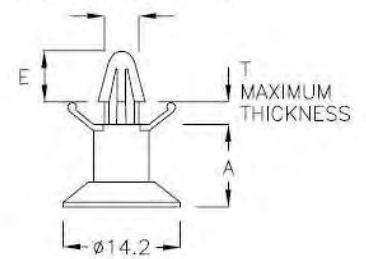


P.C. 板間隔柱 SPACER SUPPORT

3-8-1

- MATERIAL: NYLON 66(UL)
- FLAME CLASS: 94V-2
- COLOR: NATURAL

HOLE IN P.C.B.: $\phi 4.0$



PART NO	A	T MAXIMUM THICKNESS	E	PACKAGE
LTD-10	9.9	2.0	5.4	500

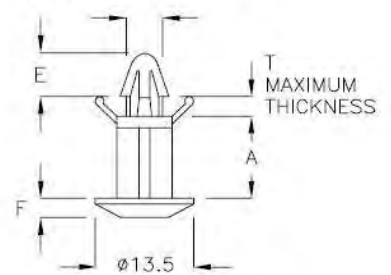


P.C. 板間隔柱 SPACER SUPPORT

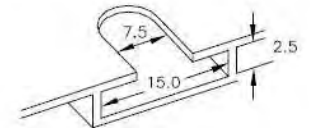
3-8-2

- MATERIAL: NYLON 66(UL)
- FLAME CLASS: 94V-2
- COLOR: NATURAL

HOLE IN P.C.B.: $\phi 4.5$



PART NO	A	T MAXIMUM THICKNESS	E	F	PACKAGE
LTD-11	11.0	2.0	5.8	2.0	500
LTD-14	14.0	2.0	5.8	2.0	



HOLE IN CHASSIS

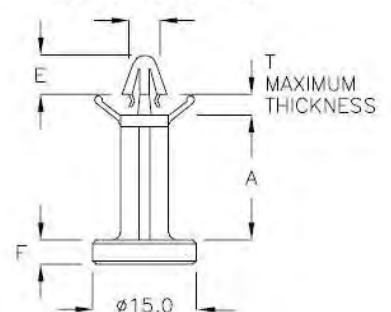


P.C. 板間隔柱 SPACER SUPPORT

3-8-3

- MATERIAL: NYLON 66(UL)
- FLAME CLASS: 94V-2
- COLOR: NATURAL

HOLE IN P.C.B.: $\phi 4.5$



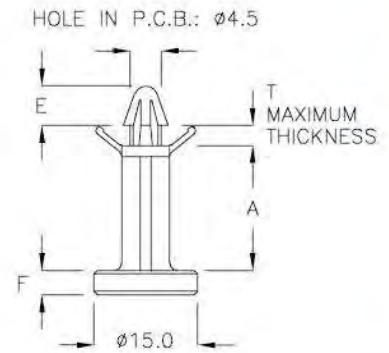
PART NO	A	T MAXIMUM THICKNESS	E	F	PACKAGE
LTD-18	18.0	1.8	5.8	3.5	500
LTD-18A	18.0	1.8	5.8	3.0	



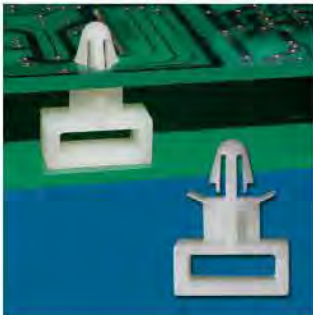
P.C. 板間隔柱 SPACER SUPPORT

3-9-1

- MATERIAL: NYLON 66(UL)
- FLAME CLASS: 94V-2
- COLOR: NATURAL



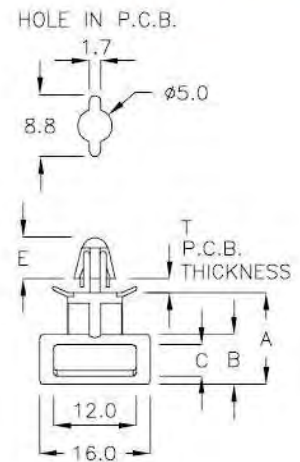
PART NO	A	T MAXIMUM THICKNESS	E	F	PACKAGE
LTD-18C	18.0	1.7	6.0	3.0	500



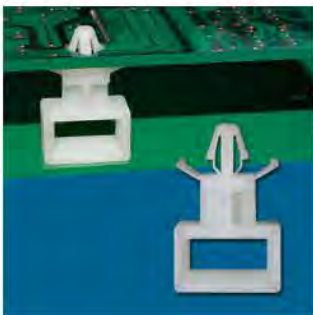
P.C. 板間隔柱 SPACER SUPPORT

3-9-2

- MATERIAL: NYLON 66(UL)
- FLAME CLASS: 94V-2
- COLOR: NATURAL



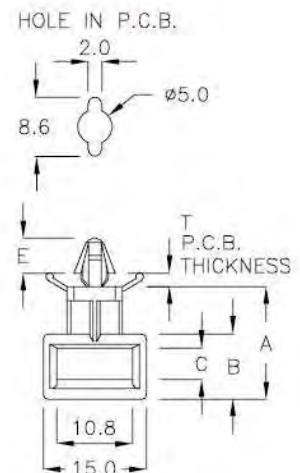
PART NO	A	B	C	T P.C.B. THICKNESS	E	PACKAGE
LTX-13	13.2	7.2	3.7	1.6	6.0	1000



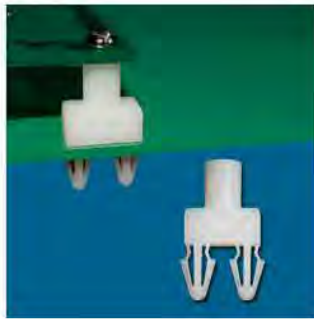
P.C. 板間隔柱 SPACER SUPPORT

3-9-3

- MATERIAL: NYLON 66(UL)
- FLAME CLASS: 94V-2
- COLOR: NATURAL

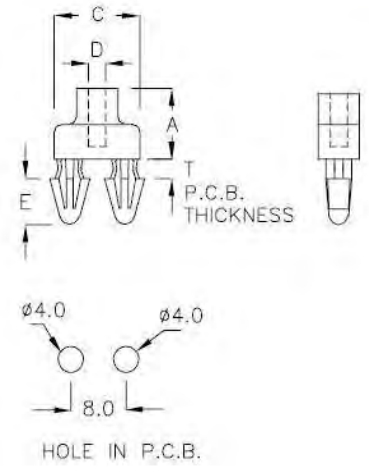


PART NO	A	B	C	T P.C.B. THICKNESS	E	PACKAGE
LTX-16A	16.2	9.4	4.5	1.6	5.0	500

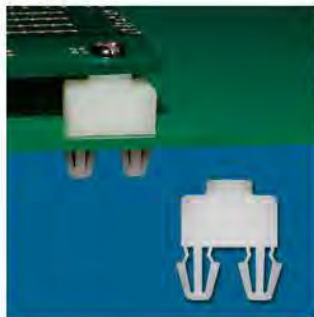


P.C. 板間隔柱 SPACER SUPPORT 3-10-1

- MATERIAL: NYLON 66(UL)
- FLAME CLASS: 94V-2
- COLOR: NATURAL

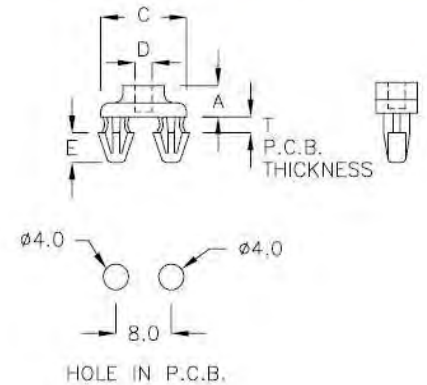


PART NO	A	T P.C.B. THICKNESS	C	D TAPPING SCREW	E	PACKAGE
TAA-01	13.8	2.0	12.5	M3X8	6.7	500
TAA-03	21.0	1.6	12.5	M3X8	6.7	
TAA-04	15.0	2.0	12.5	M3X8	6.7	
TAA-05	5.0	1.6	12.5	M3X4	6.7	
TAA-06	14.1	2.5	12.5	M3X8	6.7	



P.C. 板間隔柱 SPACER SUPPORT 3-10-2

- MATERIAL: NYLON 66(UL)
- FLAME CLASS: 94V-2
- COLOR: NATURAL

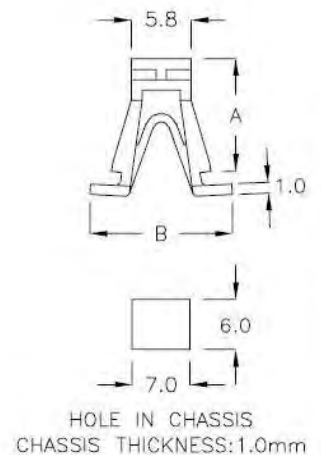


PART NO	A	T P.C.B. THICKNESS	C	D TAPPING SCREW	E	PACKAGE
TAA-07	4.5	2.0	12.5	M3X4	4.3	500
TAA-4A	8.5	1.6	12.5	M3X6	4.8	



P.C. 板間隔柱 SPACER SUPPORT 3-10-3

- MATERIAL: NYLON 66(UL)
- FLAME CLASS: 94V-0
- COLOR: NATURAL

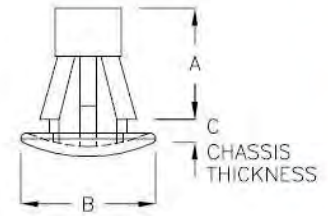


PART NO	A	B	PACKAGE
FK-011	11.0	13.0	1000



P.C. 板間隔柱 SPACER SUPPORT ———— 3-11-1 |

- MATERIAL: NYLON 66(UL)
- FLAME CLASS: 94V-2
- COLOR: NATURAL
- HOLE IN CHASSIS: $\phi 5.5$

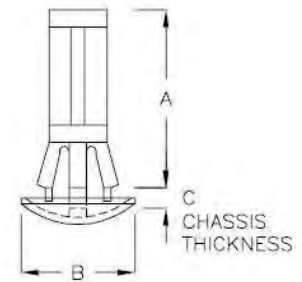


PART NO	A	B	C CHASSIS THICKNESS	PACKAGE
FCB-4M	4.5	$\phi 9.8$	0.8~1.2	1000
FCB-5	5.0	$\phi 11.5$	1.4~2.0	
FCB-6	6.35	$\phi 10.4$	1.0~2.0	
FCB-6A	6.35	$\phi 10.0$	1.5~2.3	
FCB-7	7.0	$\phi 10.4$	1.3~1.9	
FCB-8	8.0	$\phi 9.8$	1.0~1.4	
FCB-10	10.0	$\phi 9.8$	1.0~1.4	
FCB-10A	10.0	$\phi 11.5$	1.4~2.0	
FCB-12	12.7	$\phi 9.8$	1.0~1.4	
FCB-12A	12.7	$\phi 9.9$	1.2~2.2	
FCB-14	13.9	$\phi 9.9$	1.5~2.0	500
FCB-15	15.7	$\phi 9.8$	1.6~2.2	



P.C. 板間隔柱 SPACER SUPPORT ———— 3-11-2 |

- MATERIAL: NYLON 66(UL)
- FLAME CLASS: 94V-2
- COLOR: NATURAL
- HOLE IN CHASSIS: $\phi 5.5$

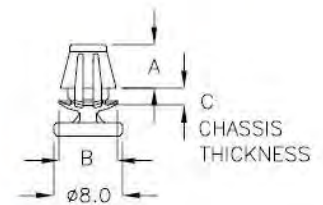


PART NO	A	B	C CHASSIS THICKNESS	PACKAGE
FCT-14	14.0	$\phi 9.8$	1.0~2.0	1000
FCT-19A	19.0	$\phi 10.0$	0.8~1.6	



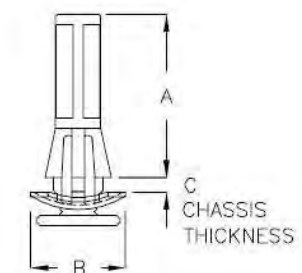
P.C. 板間隔柱 SPACER SUPPORT ———— 3-11-3 |

- MATERIAL: NYLON 66(UL)
- FLAME CLASS: 94V-2
- COLOR: NATURAL
- HOLE IN CHASSIS: $\phi 4.8$



FORM.1

PART NO	A	B	C CHASSIS THICKNESS	FORM	PACKAGE
FFR-05	5.0	$\phi 6.75$	1.4~1.6	1	1000
FFR-15H	15.5	$\phi 9.0$	1.4~1.6	2	



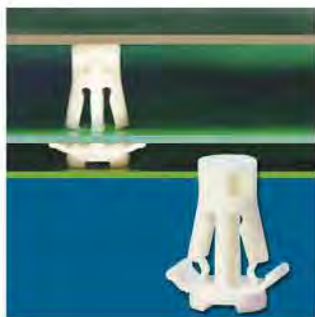
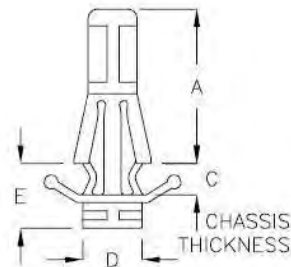
FORM.2



P.C. 板間隔柱 SPACER SUPPORT ———— 3-12-1 |

- MATERIAL: NYLON 66(UL)
- FLAME CLASS: 94V-2
- COLOR: NATURAL
- HOLE IN CHASSIS: $\phi 4.0$

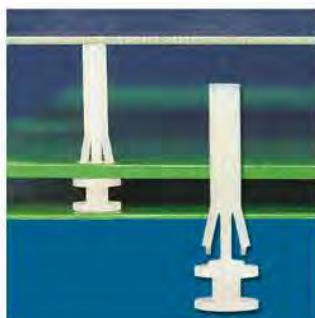
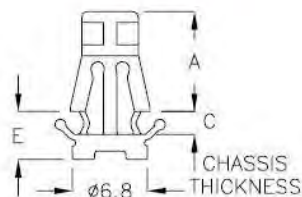
PART NO	A	C CHASSIS THICKNESS	D	E	PACKAGE
KDD-11	11.0	1.6	$\phi 4.2$	4.6	500
KDD-12C	12.5	1.6	$\phi 4.2$	4.1	
KDD-12MK	12.5	1.6	$\phi 5.0$	4.7	
KDD-12TS	12.5	1.6	$\phi 5.0$	5.5	
KDD-14C	14.6	1.6	$\phi 4.2$	5.1	
KDD-15A	15.0	1.6	$\phi 5.0$	4.6	
KDD-19	19.0	1.6	$\phi 4.2$	5.2	
KDD-22A	22.3	1.6	$\phi 4.2$	5.2	
KDD-24	24.0	1.6	$\phi 5.0$	4.6	



P.C. 板間隔柱 SPACER SUPPORT ———— 3-12-2 |

- MATERIAL: NYLON 66(UL)
- FLAME CLASS: 94V-2
- COLOR: NATURAL
- HOLE IN CHASSIS: $\phi 5.6$

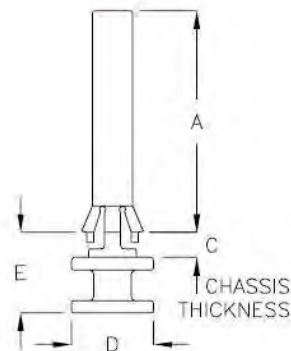
PART NO	A	C CHASSIS THICKNESS	E	PACKAGE
KDH-09	9.0	0.8~1.6	4.3	1000



P.C. 板間隔柱 SPACER SUPPORT ———— 3-12-3 |

- MATERIAL: NYLON 66(UL)
- FLAME CLASS: 94V-2
- COLOR: NATURAL
- HOLE IN CHASSIS: $\phi 3.5$

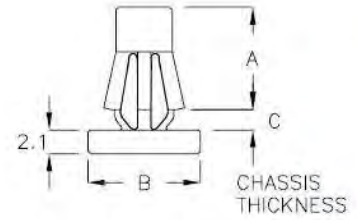
PART NO	A	C CHASSIS THICKNESS	D	E	PACKAGE
KDM-14K	15.0	1.4~1.6	$\phi 6.0$	5.8	500
KDM-16	16.0	1.4~1.6	$\phi 6.0$	5.8	2000
KDM-21C	21.6	1.4~1.6	$\phi 7.5$	12.8	500





P.C. 板間隔柱 SPACER SUPPORT ———— 3-13-1 |

- MATERIAL: NYLON 66(UL)
- FLAME CLASS: 94V-2
- COLOR: NATURAL
- HOLE IN CHASSIS: $\phi 5.6$

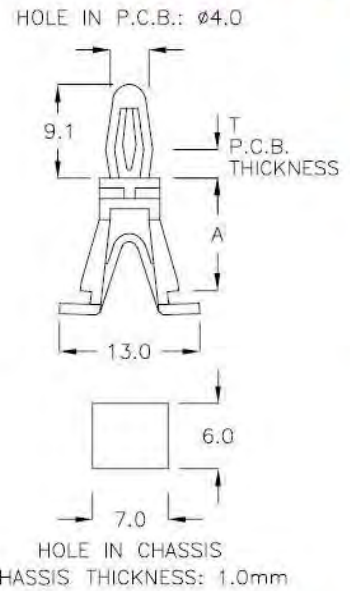


PART NO	A	B	C CHASSIS THICKNESS	PACKAGE
SCQ-09	9.0	$\phi 10.0$	1.6	1000



P.C. 板間隔柱 SPACER SUPPORT ———— 3-13-2 |

- MATERIAL: NYLON 66(UL)
- FLAME CLASS: 94V-2
- COLOR: NATURAL

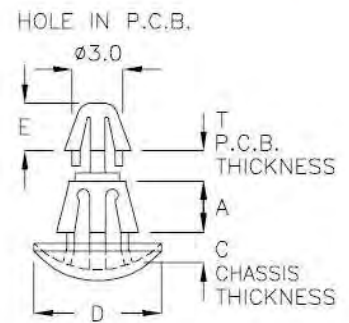


PART NO	A	T P.C.B. THICKNESS	PACKAGE
SK-011	11.0	1.6	1000



P.C. 板間隔柱 SPACER SUPPORT ———— 3-13-3 |

- MATERIAL: NYLON 66(UL)
- FLAME CLASS: 94V-2
- COLOR: NATURAL
- HOLE IN CHASSIS: $\phi 4.0$

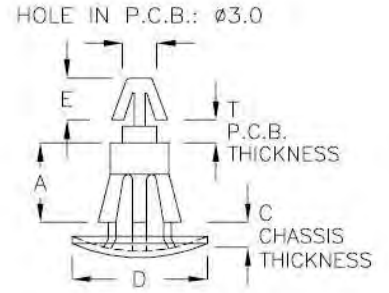


PART NO	A	T P.C.B. THICKNESS	C CHASSIS THICKNESS	D	E	PACKAGE
SCK-2C	2.5	1.4~1.6	0.8~1.0	$\phi 5.8$	2.7	2000
SCK-2K	2.5	1.6~1.9	0.8~1.0	$\phi 5.8$	2.65	
SCK-3A	3.2	1.4~1.6	0.8~1.6	$\phi 8.0$	3.0	1000
SCK-04	4.0	1.4~1.6	0.8~1.6	$\phi 8.2$	3.1	
SCK-4AM	4.5	1.4~1.6	0.8~1.6	$\phi 8.2$	3.1	
SCK-05	5.0	1.4~1.6	0.8~1.2	$\phi 5.8$	3.1	
SCK-5QN	5.5	1.4~1.6	1.4~1.6	$\phi 8.2$	3.1	
SCK-06	6.0	1.4~1.6	0.8~1.6	$\phi 8.2$	2.95	
SCK-07	7.0	1.4~1.6	1.4~1.6	$\phi 8.2$	3.1	
SCK-08	8.0	1.4~1.6	0.8~1.6	$\phi 8.2$	3.1	
SCK-10	10.0	1.4~1.6	0.8~1.6	$\phi 8.2$	3.1	
SCK-12	12.0	1.4~1.6	0.8~1.6	$\phi 8.0$	2.95	
SCK-16YT	16.0	1.4~1.6	1.4~1.6	$\phi 8.0$	2.9	



P.C. 板間隔柱 SPACER SUPPORT | 3-14-1 |

- MATERIAL: NYLON 66(UL)
- FLAME CLASS: 94V-2
- COLOR: NATURAL
- HOLE IN CHASSIS: $\phi 5.5$

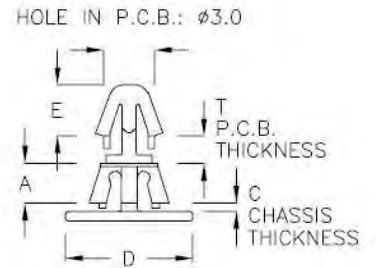


PART NO	A	T P.C.B. THICKNESS	C CHASSIS THICKNESS	D	E	PACKAGE
SCE-3A	3.5	1.2~1.7	1.1~1.7	$\phi 11.45$	3.6	1000
SCE-4KD	4.8	1.2~1.7	1.1~1.6	$\phi 11.45$	3.6	
SCE-6	6.35	1.2~1.7	1.1~1.6	$\phi 11.45$	3.6	
SCE-07	7.0	1.2~1.7	1.1~1.6	$\phi 11.45$	3.6	
SCE-8	8.0	1.2~1.7	1.1~1.6	$\phi 11.45$	3.6	
SCE-10	9.7	1.2~1.7	1.1~1.6	$\phi 11.45$	3.6	500
SCE-10A	10.5	1.2~1.7	1.1~1.6	$\phi 11.45$	3.6	
SCE-10C	9.7	1.2~1.7	1.1~1.6	$\phi 7.0$	3.6	
SCE-11	11.0	1.2~1.7	1.1~1.6	$\phi 11.45$	3.6	



P.C. 板間隔柱 SPACER SUPPORT | 3-14-2 |

- MATERIAL: NYLON 66(UL)
- FLAME CLASS: 94V-2
- COLOR: NATURAL
- HOLE IN CHASSIS: $\phi 4.0$

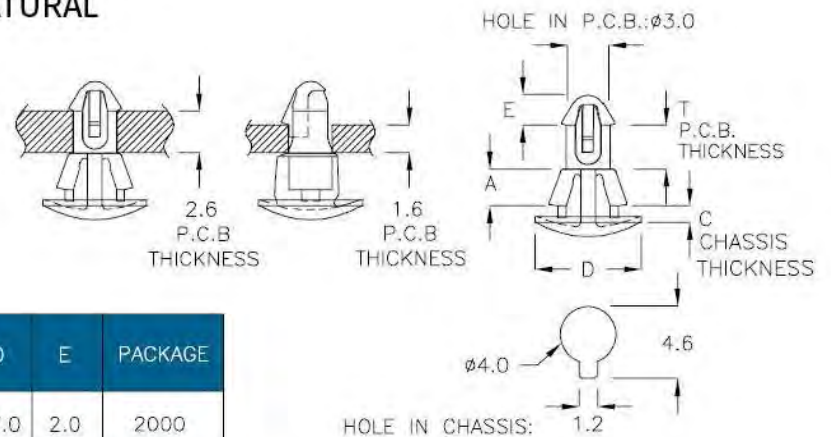


PART NO	A	T P.C.B. THICKNESS	C CHASSIS THICKNESS	D	E	PACKAGE
SCG-2A	2.5	1.6	0.5	$\phi 8.0$	3.2	2000
SCG-3D	3.8	1.6	0.8	$\phi 8.0$	3.2	
SCG-05	5.0	1.6	0.5	$\phi 8.0$	3.2	



P.C. 板間隔柱 SPACER SUPPORT | 3-14-3 |

- MATERIAL: NYLON 66(UL)
- FLAME CLASS: 94V-2
- COLOR: NATURAL

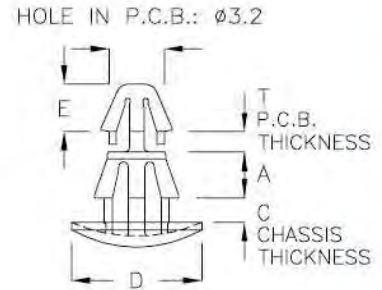


PART NO	A	T P.C.B. THICKNESS	C CHASSIS THICKNESS	D	E	PACKAGE
SCZ-2M	2.5	1.6	0.8~1.0	$\phi 7.0$	2.0	2000
		2.6				



P.C. 板間隔柱 SPACER SUPPORT ———— | 3-15-1 |

- MATERIAL: NYLON 66(UL)
- FLAME CLASS: 94V-2
- COLOR: NATURAL
- HOLE IN CHASSIS: $\Phi 4.0$

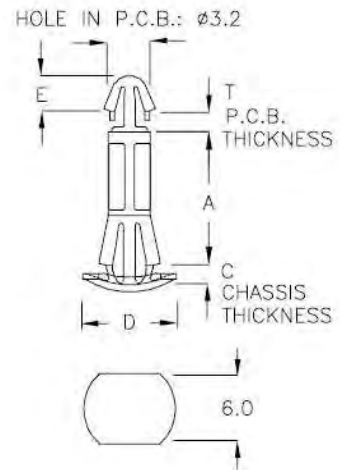


PART NO	A	T P.C.B. THICKNESS	C CHASSIS THICKNESS	D	E	PACKAGE
SCK-2DM	2.8	0.8~1.0	1.8	$\Phi 8.0$	3.0	2000



P.C. 板間隔柱 SPACER SUPPORT ———— | 3-15-2 |

- MATERIAL: NYLON 66(UL)
- FLAME CLASS: 94V-2
- COLOR: NATURAL
- HOLE IN CHASSIS: $\Phi 4.0$

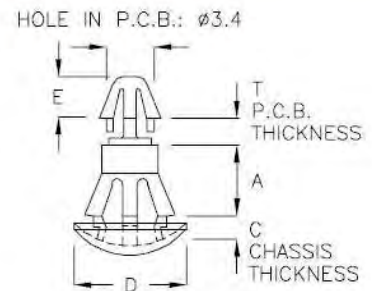


PART NO	A	T P.C.B. THICKNESS	C CHASSIS THICKNESS	D	E	PACKAGE
SCX-15	15.0	1.6	1.0	$\Phi 8.0$	3.0	1000
SCX-35C	35.3	1.6	1.0	$\Phi 8.0$	3.0	500



P.C. 板間隔柱 SPACER SUPPORT ———— | 3-15-3 |

- MATERIAL: NYLON 66(UL)
- FLAME CLASS: 94V-2
- COLOR: NATURAL
- HOLE IN CHASSIS: $\Phi 5.5$

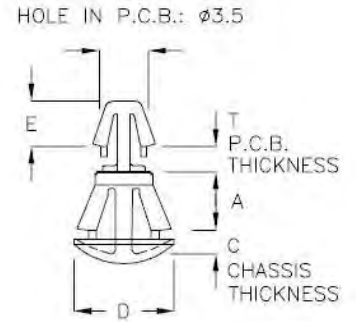


PART NO	A	T P.C.B. THICKNESS	C CHASSIS THICKNESS	D	E	PACKAGE
SCW-05	5.0	1.2~1.6	0.6~1.2	$\Phi 8.0$	3.0	1000



P.C. 板間隔柱 SPACER SUPPORT ———— 3-16-1 |

- MATERIAL: NYLON 66(UL)
- FLAME CLASS: 94V-2
- COLOR: NATURAL
- HOLE IN CHASSIS: $\phi 5.5$

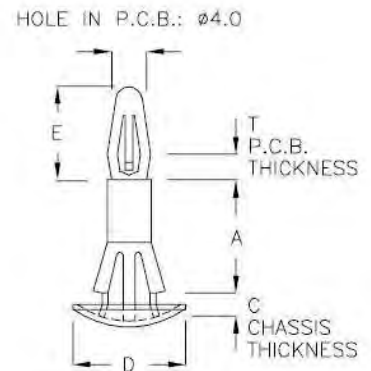


PART NO	A	T P.C.B. THICKNESS	C CHASSIS THICKNESS	D	E	PACKAGE
SCS-4KP	4.5	1.6~1.8	0.8~1.0	$\phi 7.8$	3.5	1000
SCU-11K	11.0	1.4~1.6	0.8~1.2	$\phi 9.5$	2.8	



P.C. 板間隔柱 SPACER SUPPORT ———— 3-16-2 |

- MATERIAL: NYLON 66(UL)
- FLAME CLASS: 94V-2
- COLOR: NATURAL
- HOLE IN CHASSIS: $\phi 5.5$

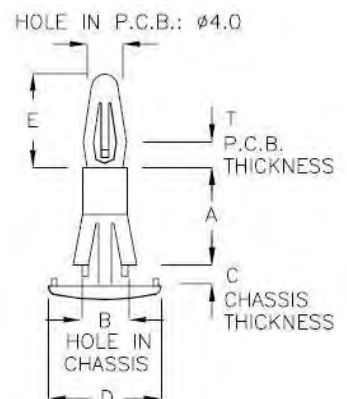


PART NO	A	T P.C.B. THICKNESS	C CHASSIS THICKNESS	D	E	PACKAGE
SCD-10S	10.0	0.8~1.9	1.0~1.6	$\phi 11.5$	9.65	500
SCD-12S	11.8	0.8~1.9	1.2~2.0	$\phi 11.5$	9.65	



P.C. 板間隔柱 SPACER SUPPORT ———— 3-16-3 |

- MATERIAL: NYLON 66(UL)
- FLAME CLASS: 94V-2
- COLOR: NATURAL

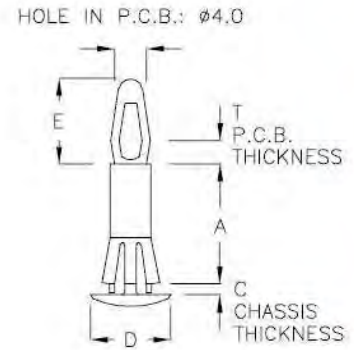


PART NO	A	B HOLE IN CHASSIS	T P.C.B. THICKNESS	C CHASSIS THICKNESS	D	E	PACKAGE
SCD-10	10.0	$\phi 5.5$	1.2~1.7	1.0~1.6	$\phi 11.4$	10.6	500
SCD-12	12.7	$\phi 5.5$	1.2~1.7	1.0~1.5	$\phi 12.8$	10.6	
SCD-15K	15.9	$\phi 5.4$	1.2~1.6	1.5~1.6	$\phi 12.7$	9.6	



P.C. 板間隔柱 SPACER SUPPORT ———— 3-17-1 |

- MATERIAL: NYLON 66(UL)
- FLAME CLASS: 94V-2
- COLOR: NATURAL
- HOLE IN CHASSIS: $\phi 5.5$

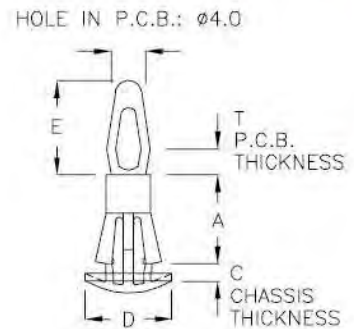


PART NO	A	T P.C.B. THICKNESS	C CHASSIS THICKNESS	D	E	PACKAGE
SCD-10A	10.0	1.2~1.6	1.0~1.1	$\phi 10.0$	10.8	500
SCD-25	25.0	1.2~1.6	1.0~1.1	$\phi 10.0$	10.6	



P.C. 板間隔柱 SPACER SUPPORT ———— 3-17-2 |

- MATERIAL: NYLON 66(UL)
- FLAME CLASS: 94V-2
- COLOR: BLACK
- HOLE IN CHASSIS: $\phi 5.5$

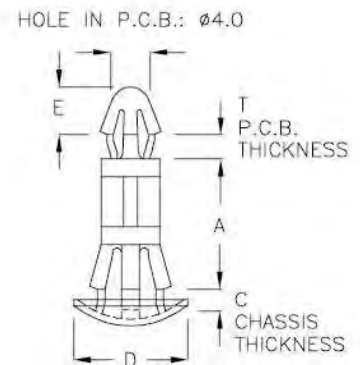


PART NO	A	T P.C.B. THICKNESS	C CHASSIS THICKNESS	D	E	PACKAGE
SCY-10	10.0	1.2~1.6	1.2~1.6	$\phi 9.85$	10.6	1000

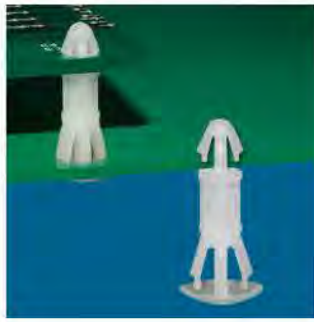


P.C. 板間隔柱 SPACER SUPPORT ———— 3-17-3 |

- MATERIAL: NYLON 66(UL)
- FLAME CLASS: 94V-2
- COLOR: NATURAL
- HOLE IN CHASSIS: $\phi 5.5$

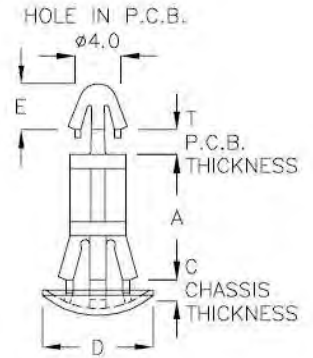


PART NO	A	T P.C.B. THICKNESS	C CHASSIS THICKNESS	D	E	PACKAGE
SCT-06	6.0	1.2~1.6	1.2~1.6	$\phi 10.0$	4.0	1000
SCT-7	7.0	1.2~1.6	1.3~2.0	$\phi 11.2$	4.0	
SCT-12A	12.0	1.2~1.6	1.1~2.0	$\phi 9.9$	4.0	
SCT-13A	13.5	1.2~1.6	0.8~1.6	$\phi 9.9$	4.0	
SCT-14	14.0	1.2~1.6	1.3~2.0	$\phi 9.9$	4.0	
SCT-21A	21.7	1.2~1.6	0.8~1.6	$\phi 9.9$	4.0	500



P.C. 板間隔柱 SPACER SUPPORT ———— 3-18-1

- MATERIAL: NYLON 66(UL)
- FLAME CLASS: 94V-2
- COLOR: NATURAL
- HOLE IN CHASSIS: $\phi 5.5$

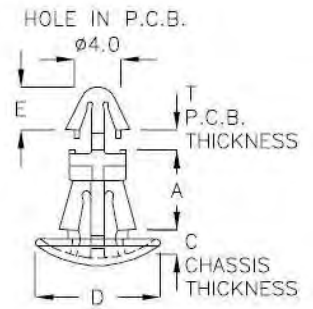


PART NO	A	D	E	C CHASSIS THICKNESS	T P.C.B. THICKNESS	PACKAGE
SCT-3	3.0	$\phi 9.8$	4.0	0.8~1.6	1.2~1.6	1000
SCT-3A	3.5	$\phi 9.8$	3.6	0.8~1.0	1.2~1.6	
SCT-10	10.0	$\phi 9.8$	4.5	1.4~2.0	1.2~1.6	



P.C. 板間隔柱 SPACER SUPPORT ———— 3-18-2

- MATERIAL: NYLON 66(UL)
- FLAME CLASS: 94V-2
- COLOR: NATURAL
- HOLE IN CHASSIS: $\phi 5.5$

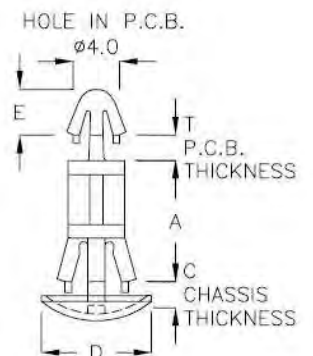


PART NO	A	D	E	C CHASSIS THICKNESS	T P.C.B. THICKNESS	PACKAGE
SCT-7AF	7.05	$\phi 11.1$	3.8	1.3~2.2	1.2~1.6	1000



P.C. 板間隔柱 SPACER SUPPORT ———— 3-18-3

- MATERIAL: NYLON 66(UL)
- FLAME CLASS: 94V-2
- COLOR: NATURAL
- HOLE IN CHASSIS: $\phi 5.5$

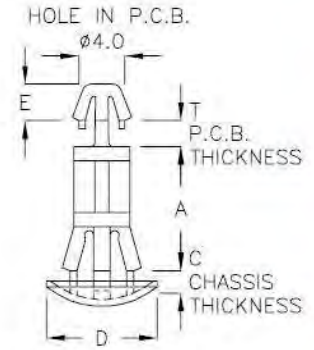


PART NO	A	D	E	C CHASSIS THICKNESS	T P.C.B. THICKNESS	PACKAGE
SCT-05	5.0	$\phi 9.8$	3.8	1.4~2.0	1.2~1.6	1000
SCT-6KT	6.35	$\phi 9.8$	3.8	1.4~2.0	1.2~1.6	
SCT-08	8.0	$\phi 9.8$	3.8	1.2~1.6	1.2~1.6	
SCT-8C	7.9	$\phi 9.6$	4.0	1.1~1.8	1.2~1.6	
SCT-12C	11.9	$\phi 9.7$	4.0	1.1~1.8	1.2~1.6	
SCT-18	18.0	$\phi 9.8$	4.0	1.0~2.0	1.2~1.6	
SCT-18K	18.0	$\phi 9.8$	4.0	1.8~2.2	1.2~1.6	



P.C. 板間隔柱 SPACER SUPPORT ———— | 3-19-1 |

- MATERIAL: NYLON 66(UL)
- FLAME CLASS: 94V-2
- COLOR: NATURAL
- HOLE IN CHASSIS: $\phi 5.5$

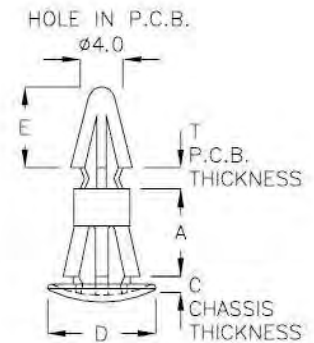


PART NO	A	D	E	C CHASSIS THICKNESS	T P.C.B. THICKNESS	PACKAGE
SCT-10A	10.0	$\phi 10.0$	3.2	0.8~1.6	1.2~1.6	1000
SCT-19	19.0	$\phi 10.0$	3.2	0.8~1.6	1.2~1.6	
SCT-19A	19.0	$\phi 10.0$	3.4	0.6	1.2~1.6	



P.C. 板間隔柱 SPACER SUPPORT ———— | 3-19-2 |

- MATERIAL: NYLON 66(UL)
- FLAME CLASS: 94V-2
- COLOR: NATURAL
- HOLE IN CHASSIS: $\phi 5.5$



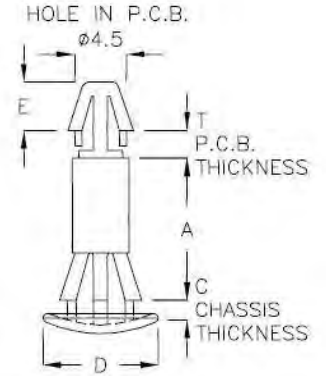
PART NO	A	D	E	C CHASSIS THICKNESS	T P.C.B. THICKNESS	PACKAGE	
SCB-5	5.0	$\phi 10.0$	7.4	0.8~1.4	1.2~1.6	1000	
SCB-5.5	5.5	$\phi 10.0$	7.1	0.8~1.7	1.2~1.6		
SCB-6	6.35	$\phi 10.0$	7.5	0.8~1.2	1.2~1.6		
SCB-6A	6.5	$\phi 10.2$	7.1	0.8~1.7	1.4~1.8		
SCB-6F	6.5	$\phi 10.0$	4.9	1.0~1.7	1.2~1.6		
SCB-8	8.0	$\phi 9.9$	7.1	0.8~1.4	1.2~1.6		
SCB-8A	8.0	$\phi 10.1$	7.4	0.8~1.1	1.2~1.6		
SCB-9A	9.0	$\phi 9.9$	7.3	0.8~1.4	1.2~1.8		
SCB-10	10.0	$\phi 10.0$	7.6	0.8~1.2	1.2~1.6		
SCB-10A	10.0	$\phi 10.0$	7.1	1.0~1.4	1.5~2.4		
SCB-11F	11.0	$\phi 9.9$	7.3	0.8~1.2	1.2~1.6		
SCB-12	12.4	$\phi 9.9$	7.2	0.8~1.4	1.2~1.6		
SCB-15	15.7	$\phi 9.8$	7.3	0.8~1.4	1.2~1.6		
SCB-16	16.2	$\phi 9.8$	6.6	0.7~1.2	1.2~1.6		500
SCB-19	19.0	$\phi 9.9$	7.5	0.8~1.4	1.2~1.6		
SCB-24	24.1	$\phi 9.8$	7.5	0.8~1.4	1.2~1.6		
SCB-28A	28.2	$\phi 9.9$	6.4	0.8~1.0	1.4~1.8		



P.C. 板間隔柱 SPACER SUPPORT

3-20-1

- MATERIAL: NYLON 66(UL)
- FLAME CLASS: 94V-2
- COLOR: NATURAL
- HOLE IN CHASSIS: $\phi 5.5$



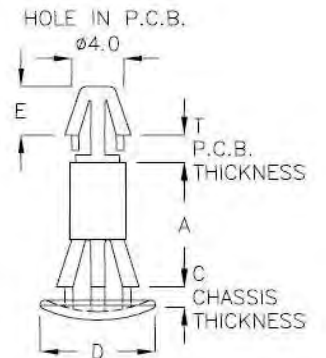
PART NO	A	D	E	C CHASSIS THICKNESS	T P.C.B. THICKNESS	PACKAGE
SCC-21	21.0	$\phi 10.0$	4.0	0.8~1.0	1.4~1.6	1000



P.C. 板間隔柱 SPACER SUPPORT

3-20-2

- MATERIAL: NYLON 66(UL)
- FLAME CLASS: 94V-2
- COLOR: NATURAL
- HOLE IN CHASSIS: $\phi 5.5$

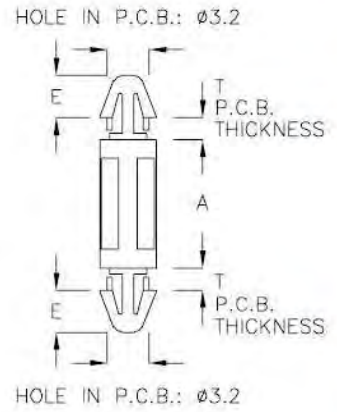


PART NO	A	D	E	C CHASSIS THICKNESS	T P.C.B. THICKNESS	PACKAGE
SCC-3	3.5	$\phi 11.4$	4.0	1.6~2.2	1.2~1.6	1000
SCC-3A	3.2	$\phi 11.4$	4.0	1.8~2.2	1.5~1.7	
SCC-3C	3.5	$\phi 11.4$	4.0	1.8~2.3	1.8~2.2	
SCC-5	5.0	$\phi 11.4$	4.0	1.6~2.2	1.2~1.6	
SCC-6	6.35	$\phi 11.5$	4.0	1.6~2.2	1.4~1.9	
SCC-8	8.2	$\phi 11.4$	4.0	1.6~2.2	1.3~1.7	
SCC-8D	7.9	$\phi 11.5$	4.0	1.6~2.2	1.3~1.7	
SCC-10	10.0	$\phi 11.5$	4.0	1.6~2.2	1.4~1.8	
SCC-10A	10.1	$\phi 11.5$	4.0	1.6~2.2	1.8~2.2	
SCC-10C	10.0	$\phi 11.5$	4.0	1.6~2.2	2.8~3.2	
SCC-12	12.8	$\phi 11.4$	4.0	1.6~2.2	1.2~1.6	
SCC-15	15.7	$\phi 11.4$	4.0	1.6~2.2	1.3~1.7	
SCC-19	19.1	$\phi 11.4$	4.0	1.6~1.8	1.3~1.7	
SCC-19A	19.1	$\phi 11.4$	4.0	1.6~2.2	1.6~2.0	
SCC-20	20.0	$\phi 11.5$	4.0	1.6~2.2	1.2~1.6	500
SCC-24	23.8	$\phi 11.4$	4.0	1.6~2.0	1.3~1.7	
SCC-26A	25.8	$\phi 11.4$	4.0	1.7~2.3	1.4~1.6	
SCC-32	32.0	$\phi 11.4$	4.0	1.7~2.3	1.4~1.6	



P.C. 板間隔柱 SPACER SUPPORT 3-41-1

- MATERIAL: NYLON 66(UL)
- FLAME CLASS: 94V-2
- COLOR: NATURAL

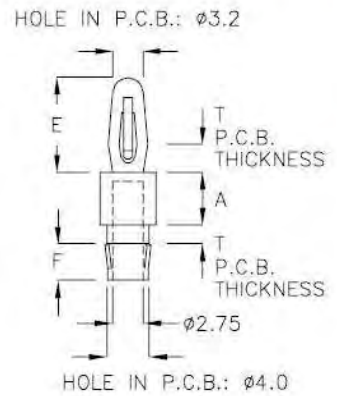


PART NO	A	T P.C.B. THICKNESS	E	PACKAGE
MCU-10	10.3	1.4 ~ 1.6	3.4	2000



P.C. 板間隔柱 SPACER SUPPORT 3-41-2

- MATERIAL: NYLON 66(UL)
- FLAME CLASS: 94V-2
- COLOR: NATURAL

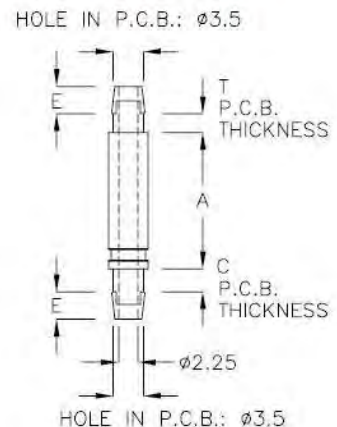


PART NO	A	T P.C.B. THICKNESS	E	F	PACKAGE
TCU-4A	4.8	1.4 ~ 1.6	8.7	3.3	2000



P.C. 板間隔柱 SPACER SUPPORT 3-41-3

- MATERIAL: NYLON 66(UL)
- FLAME CLASS: 94V-2
- COLOR: NATURAL

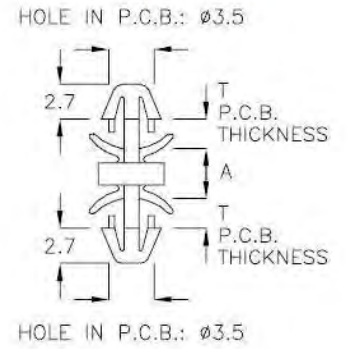


PART NO	A	T P.C.B. THICKNESS	C P.C.B. THICKNESS	E	PACKAGE
LCQ-15A	15.6	1.8 ~ 2.0	2.3 ~ 2.5	3.1	1000



P.C. 板間隔柱 SPACER SUPPORT ———— 3-42-1 |

- MATERIAL: NYLON 66(UL)
- FLAME CLASS: 94V-2
- COLOR: NATURAL

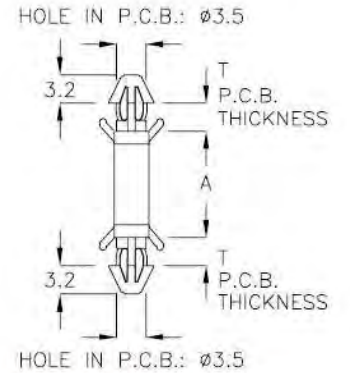


PART NO	A	T P.C.B. THICKNESS	PACKAGE
LBC-4A	5.0	1.2~1.6	1000



P.C. 板間隔柱 SPACER SUPPORT ———— 3-42-2 |

- MATERIAL: NYLON 66(UL)
- FLAME CLASS: 94V-2
- COLOR: NATURAL, BLACK

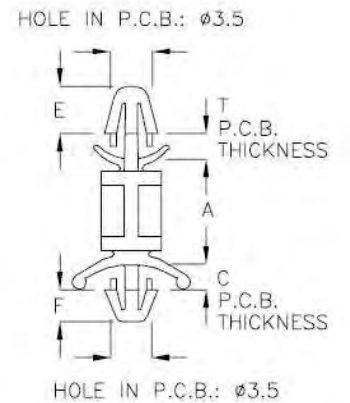


PART NO	A	T P.C.B. THICKNESS	PACKAGE
LCA35-13C	13.6	2.0~2.75	1000



P.C. 板間隔柱 SPACER SUPPORT ———— 3-42-3 |

- MATERIAL: NYLON 66(UL)
- FLAME CLASS: 94V-2
- COLOR: NATURAL

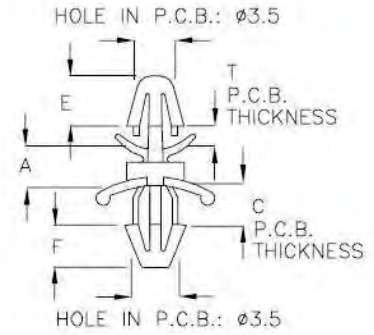


PART NO	A	T P.C.B. THICKNESS	C P.C.B. THICKNESS	E	F	PACKAGE
LBC-03	3.0	1.0~1.6	0.8~1.6	4.0	2.8	1000
LBC-04	4.0	1.0~1.6	0.8~1.6	4.0	2.8	
LBC-5A	5.0	1.0~1.6	0.8~1.6	4.0	2.8	
LBC-05	5.35	1.0~1.6	0.8~1.6	4.0	2.8	
LBC-6A	6.35	1.0~1.6	0.8~1.6	4.0	2.8	
LBC-06	6.75	1.0~1.6	0.8~1.6	4.0	2.8	
LBC-07	7.0	1.0~1.6	0.8~1.6	4.0	2.8	
LBC-7A	7.5	1.2~1.7	0.8~1.6	4.0	2.5	
LBC-8A	8.0	1.0~1.6	0.8~1.6	4.0	2.8	
LBC-08	8.35	1.0~1.6	0.8~1.6	4.0	2.8	
LBC-09	9.60	1.0~1.6	0.8~2.0	4.0	2.4	
LBC-11	11.2	1.0~1.6	0.8~2.0	4.0	2.4	
LBC-12	12.7	1.0~1.6	0.8~2.0	4.0	2.4	
LBC-16	16.0	1.0~1.6	0.8~2.0	4.0	2.4	



P.C. 板間隔柱 SPACER SUPPORT | 3-43-1 |

- MATERIAL: NYLON 66(UL)
- FLAME CLASS: 94V-2
- COLOR: NATURAL

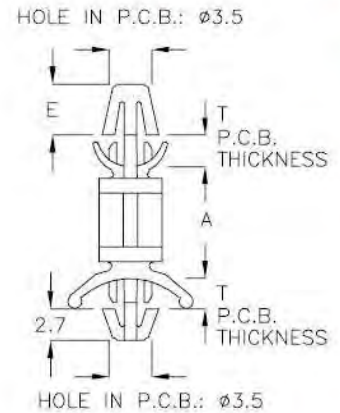


PART NO	A	T P.C.B. THICKNESS	C P.C.B. THICKNESS	E	F	PACKAGE
LBC-3A	3.4	1.0~1.6	2.0~2.4	4.0	3.4	1000



P.C. 板間隔柱 SPACER SUPPORT | 3-43-2 |

- MATERIAL: NYLON 66(UL)
- FLAME CLASS: 94V-2
- COLOR: NATURAL

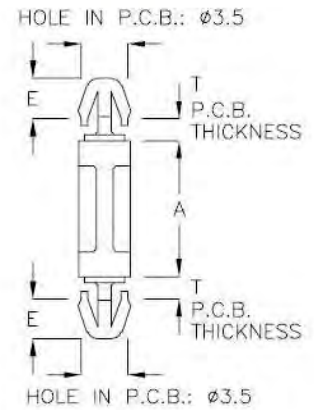


PART NO	A	T P.C.B. THICKNESS	E	PACKAGE
LBC-10	9.6	0.8~1.6	4.0	1000



P.C. 板間隔柱 SPACER SUPPORT | 3-43-3 |

- MATERIAL: NYLON 66(UL)
- FLAME CLASS: 94V-2
- COLOR: NATURAL



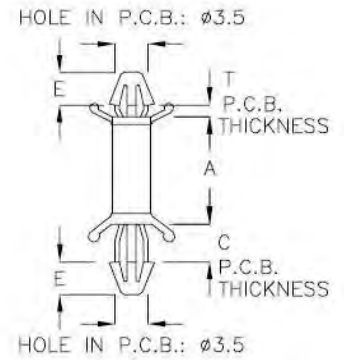
PART NO	A	T P.C.B. THICKNESS	E	PACKAGE
MCE-2A	2.5	1.4~1.8	3.75	2000
MCE-03	3.0	1.4~1.8	3.7	
MCE-3A	3.5	1.4~1.8	3.75	
MCE-4	4.0	1.4~1.8	3.7	
MCE-4A	4.5	1.4~1.8	3.75	
MCE-05	5.0	1.4~1.8	3.7	
MCE-5A	5.5	1.4~1.8	3.75	
MCE-6A	6.0	1.4~1.8	3.75	
MCE-6	6.35	1.4~1.8	3.7	
MCE-07	7.0	1.4~1.8	3.7	
MCE-7A	7.0	1.4~1.8	2.8	
MCE-8	8.0	1.4~1.8	3.7	
MCE-10	9.7	1.4~1.8	3.7	
MCE-12	12.7	1.4~1.8	3.7	
MCE-15A	15.0	1.4~1.6	2.8	



P.C. 板間隔柱 SPACER SUPPORT 3-44-1

- MATERIAL: NYLON 66(UL)
- FLAME CLASS: 94V-2
- COLOR: NATURAL

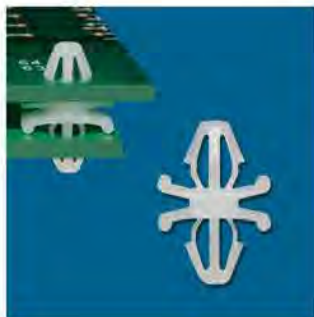
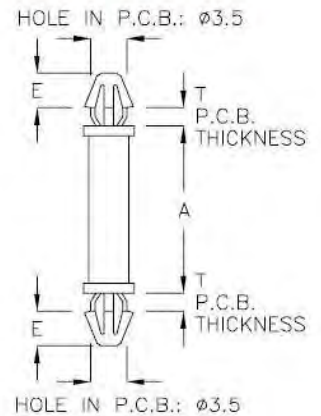
PART NO	A	E	T P.C.B. THICKNESS	C P.C.B. THICKNESS	PACKAGE
LMA-3A	3.6	3.2	0.8~1.6	2.0~2.6	1000
LMA-27	27.5	3.5	0.4~1.1	2.5~3.6	500



P.C. 板間隔柱 SPACER SUPPORT 3-44-2

- MATERIAL: NYLON 66(UL)
- FLAME CLASS: 94V-2
- COLOR: NATURAL

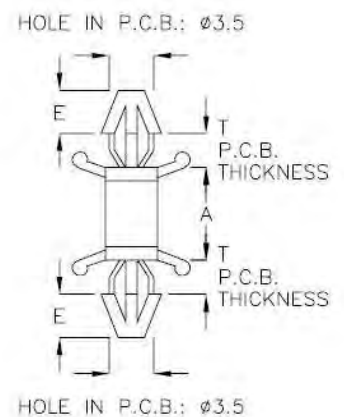
PART NO	A	T P.C.B. THICKNESS	E	PACKAGE
MCW-20	20.0	1.2~1.6	3.4	1000



P.C. 板間隔柱 SPACER SUPPORT 3-44-3

- MATERIAL: NYLON 66(UL)
- FLAME CLASS: 94V-2
- COLOR: NATURAL

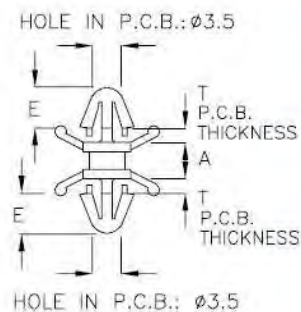
PART NO	A	T P.C.B. THICKNESS	E	PACKAGE
LCA35-3	2.1	0.8~2.0	3.5	1000
LCA35-3A	3.0	0.8~2.0	3.4	
LCA35-3M	3.5	0.8~2.0	3.4	
LCA35-4	4.0	0.8~2.0	3.4	
LCA35-5	4.8	0.8~2.0	3.5	
LCA35-5M	5.5	0.8~2.0	3.4	
LCA35-7	7.0	0.8~2.0	3.5	
LCA35-10	10.0	0.8~2.0	3.5	
LCA35-18	18.0	1.1~1.7	3.5	
LCA35-20	20.0	1.0~1.6	3.5	
LCA35-21	20.8	1.2~1.6	3.5	500
LCA35-25	25.0	1.4~1.6	3.4	





P.C. 板間隔柱 SPACER SUPPORT 3-45-1

- MATERIAL: NYLON 66(UL)
- FLAME CLASS: 94V-2
- COLOR: NATURAL,BLACK

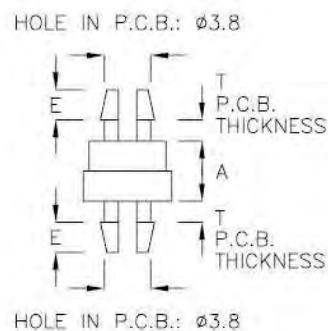


PART NO	A	T P.C.B. THICKNESS	E	PACKAGE
LCA35-3H	3.05	0.3~0.6	3.4	1000



P.C. 板間隔柱 SPACER SUPPORT 3-45-2

- MATERIAL: NYLON 66(UL)
- FLAME CLASS: 94V-2
- COLOR: NATURAL

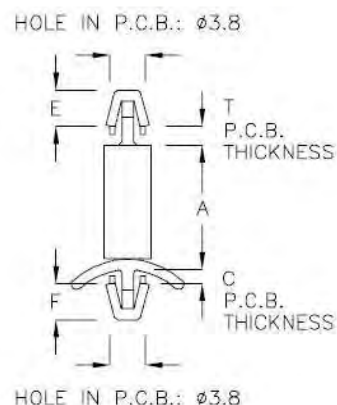


PART NO	A	T P.C.B. THICKNESS	E	PACKAGE
UCB-5A	4.8	1.4 ~ 1.6	2.6	2000



P.C. 板間隔柱 SPACER SUPPORT 3-45-3

- MATERIAL: NYLON 66(UL)
- FLAME CLASS: 94V-2
- COLOR: NATURAL



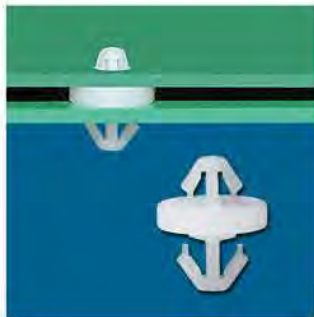
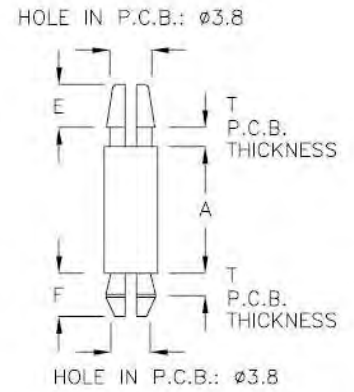
PART NO	A	T P.C.B. THICKNESS	C P.C.B. THICKNESS	E	F	PACKAGE
LCF-18A	17.8	1.4 ~ 1.6	0.6~1.0	3.5	3.6	1000



P.C. 板間隔柱 SPACER SUPPORT | 3-46-1 |

- MATERIAL: NYLON 66(UL)
- FLAME CLASS: 94V-2
- COLOR: NATURAL

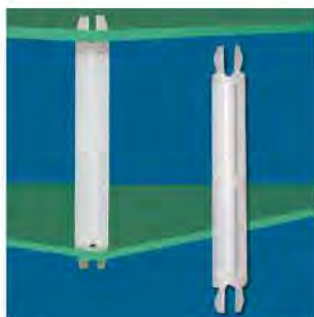
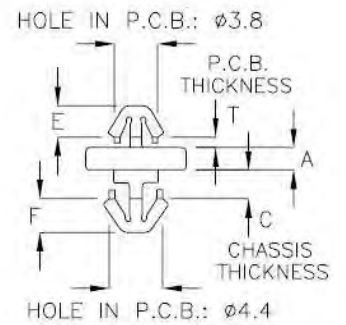
PART NO	A	T P.C.B. THICKNESS	E	F	PACKAGE
MCB-19K	19.0	1.4~1.6	4.0	3.8	1000



P.C. 板間隔柱 SPACER SUPPORT | 3-46-2 |

- MATERIAL: NYLON 66(UL)
- FLAME CLASS: 94V-2
- COLOR: NATURAL

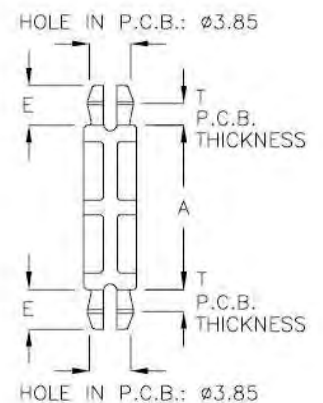
PART NO	A	T P.C.B. THICKNESS	C CHASSIS THICKNESS	E	F	PACKAGE
MCQA-2HC	2.0	0.8	2.2	2.8	3.0	2000



P.C. 板間隔柱 SPACER SUPPORT | 3-46-3 |

- MATERIAL: NYLON 66(UL)
- FLAME CLASS: 94V-2
- COLOR: NATURAL

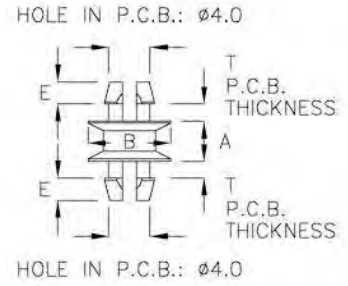
PART NO	A	T P.C.B. THICKNESS	E	PACKAGE
UCH-29AM	29.0	1.0~1.6	3.6	500





P.C. 板間隔柱 SPACER SUPPORT ———— | 3-47-1 |

- MATERIAL: NYLON 66(UL)
- FLAME CLASS: 94V-2
- COLOR: NATURAL

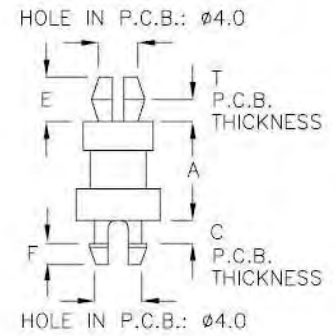


PART NO	A	B	T P.C.B. THICKNESS	E	PACKAGE
MCR-3A	3.6	$\phi 7.4$	1.4 ~ 1.6	2.0	2000



P.C. 板間隔柱 SPACER SUPPORT ———— | 3-47-2 |

- MATERIAL: NYLON 66(UL)
- FLAME CLASS: 94V-2
- COLOR: NATURAL

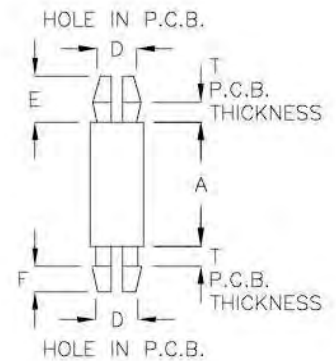


PART NO	A	T P.C.B. THICKNESS	C P.C.B. THICKNESS	E	F	PACKAGE
MCB-8A	7.9	1.0~1.6	1.4~1.6	3.6	2.0	2000



P.C. 板間隔柱 SPACER SUPPORT ———— | 3-47-3 |

- MATERIAL: NYLON 66(UL)
- FLAME CLASS: 94V-2
- COLOR: NATURAL



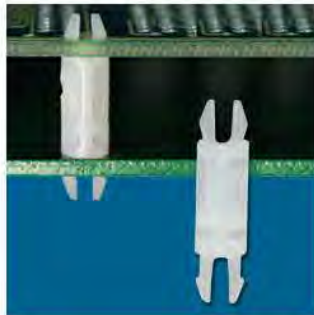
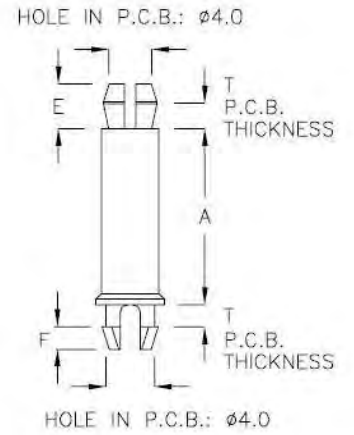
PART NO	A	D HOLE IN CHASSIS	E	F	T P.C.B. THICKNESS	PACKAGE
MCB-3	3.2	$\phi 4.0$	3.6~3.8	2.1	0.8~1.6	2000
MCB-6	6.35	$\phi 4.0$	3.6~3.8	2.2	0.8~1.6	
MCB-8	8.2	$\phi 4.0$	3.6~3.8	2.2	0.8~1.6	
MCB-10	10.5	$\phi 4.0$	3.6~3.8	2.1	0.8~1.6	
MCB-12	12.7	$\phi 4.0$	3.6~3.8	2.2	0.8~1.6	
MCB-15	15.7	$\phi 4.0$	3.6~3.8	2.2	0.8~1.6	
MCB-19	19.1	$\phi 4.0$	3.6~3.8	2.2	0.8~1.6	1000
MCB-28	28.5	$\phi 3.85$	3.6~3.8	1.9	1.4~1.6	
MCB-30A	30.7	$\phi 3.85$	3.6~3.8	1.8	0.8~1.6	



P.C. 板間隔柱 SPACER SUPPORT 3-48-1

- MATERIAL: NYLON 66(UL)
- FLAME CLASS: 94V-2
- COLOR: NATURAL

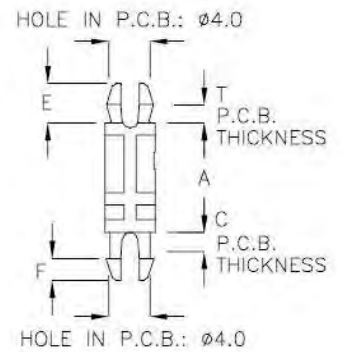
PART NO	A	T P.C.B. THICKNESS	E	F	PACKAGE
MCB-24	24.1	1.2~1.6	3.6	1.9	1000



P.C. 板間隔柱 SPACER SUPPORT 3-48-2

- MATERIAL: NYLON 66(UL)
- FLAME CLASS: 94V-2
- COLOR: NATURAL

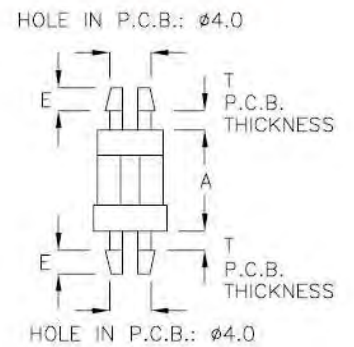
PART NO	A	T P.C.B. THICKNESS	C P.C.B. THICKNESS	E	F	PACKAGE
MCB-10K	10.5	0.8	2.2~2.3	3.8	2.1	2000



P.C. 板間隔柱 SPACER SUPPORT 3-48-3

- MATERIAL: NYLON 66(UL)
- FLAME CLASS: 94V-2
- COLOR: NATURAL

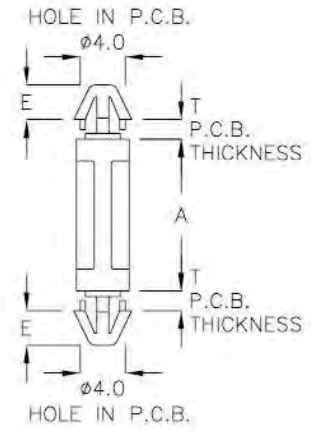
PART NO	A	T P.C.B. THICKNESS	E	PACKAGE
UCB-9M	9.5	1.2~1.6	2.4	1000





P.C. 板間隔柱 SPACER SUPPORT ———— | 3-49-1 |

- MATERIAL: NYLON 66(UL)
- FLAME CLASS: 94V-2
- COLOR: NATURAL



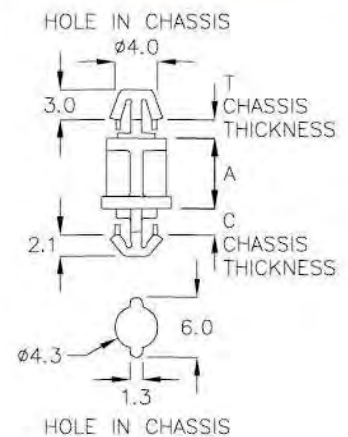
PART NO	A	E	T P.C.B. THICKNESS	PACKAGE
KCA-2M	2.5	3.0	1.4~1.6	2000
KCA-3	3.2	3.6	1.4~1.6	
KCA-04	4.0	3.8	1.4~1.6	
KCA-4A	4.5	3.6	1.4~1.6	
KCA-5	5.0	3.6	1.4~1.6	1000
KCA-5A	5.5	3.6	1.4~1.6	
KCA-6	6.35	3.6	1.4~1.6	
KCA-07	7.0	3.0	1.2~1.7	
KCA-7A	7.5	3.6	1.4~1.6	
KCA-8	8.0	3.6	1.4~1.6	
KCA-9	9.5	3.6	1.4~1.6	
KCA-10	10.5	3.6	1.4~1.6	
KCA-11	11.0	3.6	1.4~1.6	
KCA-12	12.7	3.6	1.4~1.6	
KCA-12S	12.7	3.2	1.4~1.6	

PART NO	A	E	T P.C.B. THICKNESS	PACKAGE
KCA-14	14.0	3.0	1.4~1.6	1000
KCA-15	15.7	3.6	1.4~1.6	
KCA-15L	15.9	3.0	1.2~1.7	
KCA-19	19.0	3.6	1.4~1.6	
KCA-20	19.9	3.6	1.4~1.6	
KCA-25	25.0	3.7	1.4~1.6	500
KCA-28A	28.5	3.5	1.4~1.6	
KCA-30	30.0	3.7	1.4~1.6	
KCA-34	34.0	3.6	1.4~1.6	
KCA-34A	34.0	3.6	1.4~1.6	200
KCA-40A	40.4	3.6	1.4~1.6	
KCA-47	47.0	3.25	1.4~1.6	
KCA-69	69.0	3.7	1.4~1.6	200
KCA-80	80.0	3.0	1.4~1.6	



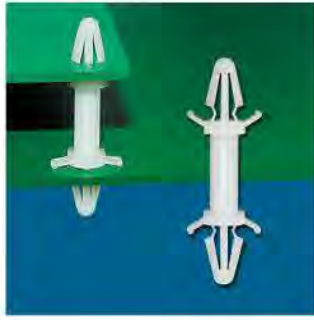
P.C. 板間隔柱 SPACER SUPPORT ———— | 3-49-2 |

- MATERIAL: NYLON 66(UL)
- FLAME CLASS: 94V-0
- COLOR: NATURAL



Built-In Anti-Spin Function

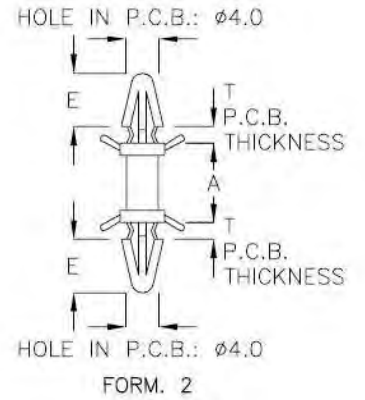
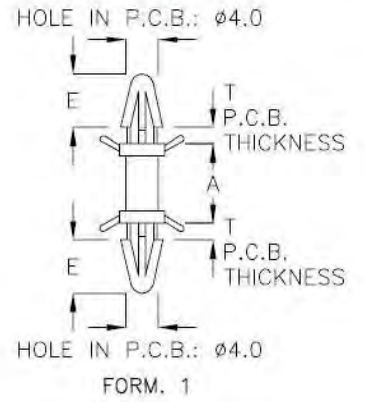
PART NO	A	C CHASSIS THICKNESS	T CHASSIS THICKNESS	PACKAGE
MQT-7CL	7.0	2.36	1.6	2000



P.C. 板間隔柱 SPACER SUPPORT ———— 3-50-1

- MATERIAL: NYLON 66(UL)
- FLAME CLASS: 94V-2
- COLOR: NATURAL

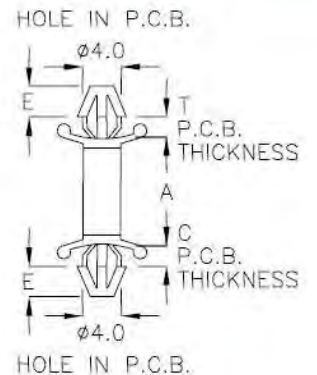
PART NO	A	T P.C.B. THICKNESS	E	FORM	PACKAGE
LCAS-3	3.5	0.8~1.8	7.0	1	1000
LCAS-10	10.5	0.8~1.8	7.0	1	
LCAS-15	14.8	0.8~1.8	7.0	2	
LCAS-16M	16.6	0.8~1.8	7.0	2	
LCAS-44	44.0	0.8~1.8	6.0	2	200
LCBS-48	47.8	0.8~1.8	7.0	2	



P.C. 板間隔柱 SPACER SUPPORT ———— 3-50-2

- MATERIAL: NYLON 66(UL)
- FLAME CLASS: 94V-2
- COLOR: NATURAL

PART NO	A	T P.C.B. THICKNESS	C P.C.B. THICKNESS	E	PACKAGE
LCA4-4	4.0	1.0~1.6	1.0~1.6	3.4	1000
LCA4-5	4.8	1.6~1.9	1.6~1.9	3.0	
LCA4-6	6.0	1.0~1.6	1.0~1.6	3.4	
LCA4-7	7.0	1.0~1.6	1.0~1.6	3.4	
LCA4-8	7.1	1.2~1.8	1.2~1.8	3.6	
LCA4-8A	7.6	2.5~3.0	2.5~3.0	2.6	
LCA4-9	8.8	1.6~2.0	1.6~2.0	3.0	
LCA4-10	10.0	1.2~2.0	1.2~2.0	3.6	
LCA4-10A	10.4	1.1~1.8	1.6~3.1	3.6	
LCA4-12	13.1	1.1~2.0	1.1~2.0	3.6	
LCA4-15	15.9	1.1~2.0	1.1~2.0	3.6	
LCA4-16	16.2	1.3~2.2	1.3~2.2	3.6	



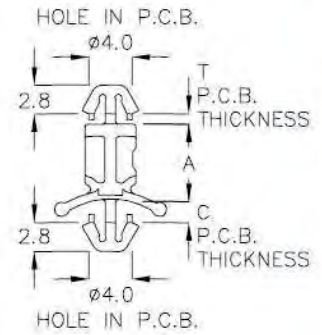
PART NO	A	T P.C.B. THICKNESS	C P.C.B. THICKNESS	E	PACKAGE
LCA4-17	17.2	1.1~2.0	1.1~2.0	3.6	1000
LCA4-20A	19.6	1.1~2.0	1.7~3.5	3.6	500
LCA4-29M	29.8	1.0~1.7	1.0~1.7	3.6	
LCA4-31	30.8	1.0~1.7	1.0~1.7	3.6	
LCA4-34A	34.0	1.1~1.9	1.6~3.1	3.6	
LCA4-34C	34.0	0.8~2.0	1.7~3.5	3.6	
LCA4-36	36.0	2.0~3.0	2.0~3.0	3.6	
LCA4-36A	35.3	2.5~3.8	2.5~3.8	3.6	
LCA4-44	43.6	0.8~1.9	0.8~1.9	3.6	
LCA4-55	55.0	0.8~1.8	0.8~1.8	3.6	200
LCA4-56	56.4	1.0~1.6	1.0~1.6	3.6	



P.C. 板間隔柱 SPACER SUPPORT ———— | 3-51-1 |

- MATERIAL: NYLON 66(UL)
- FLAME CLASS: 94V-2
- COLOR: NATURAL

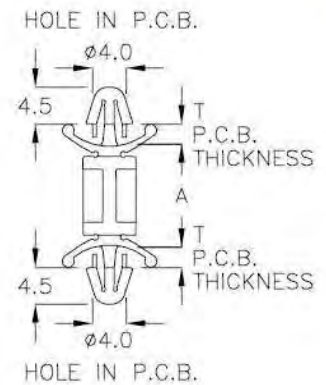
PART NO	A	C P.C.B. THICKNESS	T P.C.B. THICKNESS	PACKAGE
LCFA-7K	7.6	0.8~1.2	0.8	1000



P.C. 板間隔柱 SPACER SUPPORT ———— | 3-51-2 |

- MATERIAL: NYLON 66(UL)
- FLAME CLASS: 94V-2
- COLOR: NATURAL

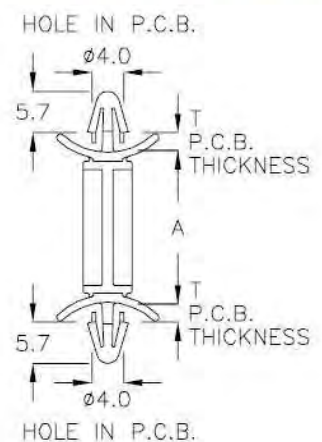
PART NO	A	T P.C.B. THICKNESS	PACKAGE
LTQB-12CH	12.7	0.8~1.7	1000



P.C. 板間隔柱 SPACER SUPPORT ———— | 3-51-3 |

- MATERIAL: NYLON 66(UL)
- FLAME CLASS: 94V-2
- COLOR: NATURAL

PART NO	A	T P.C.B. THICKNESS	PACKAGE
LTQM-22A	22.5	0.8~2.0	500

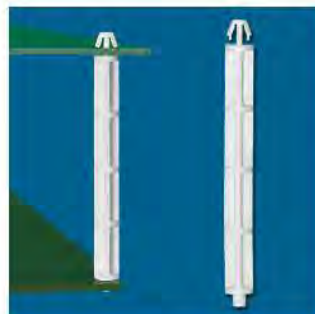
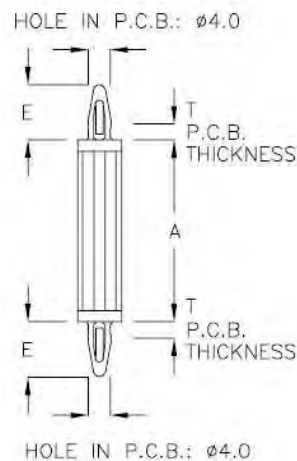




P.C. 板間隔柱 SPACER SUPPORT | 3-52-1 |

- MATERIAL: NYLON 66(UL)
- FLAME CLASS: 94V-2
- COLOR: NATURAL, BLACK

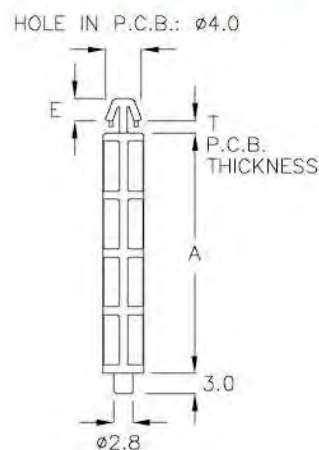
PART NO	A	T P.C.B. THICKNESS	E	PACKAGE
LCD-151	151.8	1.8~2.0	10.0	100



P.C. 板間隔柱 SPACER SUPPORT | 3-52-2 |

- MATERIAL: NYLON 66(UL)
- FLAME CLASS: 94V-2
- COLOR: NATURAL

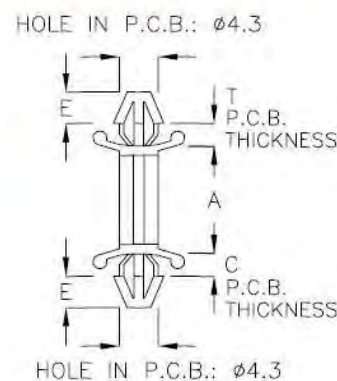
PART NO	A	T P.C.B. THICKNESS	E	PACKAGE
MQW-51A	51.7	1.6	3.3	500



P.C. 板間隔柱 SPACER SUPPORT | 3-52-3 |

- MATERIAL: NYLON 66(UL)
- FLAME CLASS: 94V-2
- COLOR: NATURAL

PART NO	A	T P.C.B. THICKNESS	C P.C.B. THICKNESS	E	PACKAGE
LCK-20	14.6	0.6	0.8~1.0	3.4	1000
LCK-27	21.2	0.6	1.4~1.6	3.4	

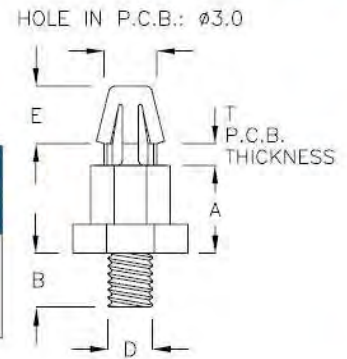




P.C. 板間隔柱 SPACER SUPPORT ———— 3-53-1 |

- MATERIAL: NYLON 66(UL)
- FLAME CLASS: 94V-2
- COLOR: NATURAL

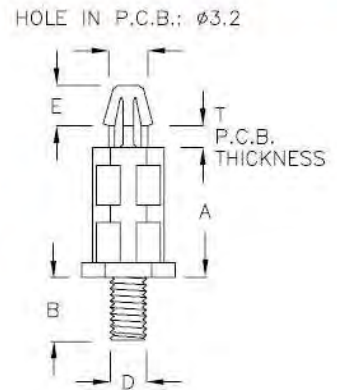
PART NO	A	B	T P.C.B. THICKNESS	D SCREW	E	PACKAGE
SDS-05	4.9	3.0	0.8~1.0	M2.5	3.3	2000
SDS-05A	4.9	3.0	0.8~1.0	M4	3.3	
SDS-3A	3.4	4.0	0.8~1.0	M4	3.5	



P.C. 板間隔柱 SPACER SUPPORT ———— 3-53-2 |

- MATERIAL: NYLON 66(UL)
- FLAME CLASS: 94V-2
- COLOR: NATURAL

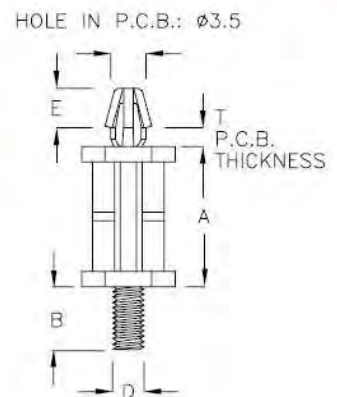
PART NO	A	B	T P.C.B. THICKNESS	D SCREW	E	PACKAGE
SDT-10A	10.4	5.0	1.4~1.6	M3	3.25	2000



P.C. 板間隔柱 SPACER SUPPORT ———— 3-53-3 |

- MATERIAL: NYLON 66(UL)
- FLAME CLASS: 94V-2
- COLOR: NATURAL

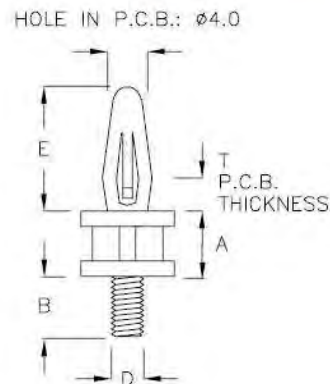
PART NO	A	B	T P.C.B. THICKNESS	D SCREW	E	PACKAGE
SSA-13A	13.0	6.0	1.4~1.6	M3	3.9	500





P.C. 板間隔柱 SPACER SUPPORT ———— 3-54-1

- MATERIAL: NYLON 66(UL)
- FLAME CLASS: 94V-2
- COLOR: NATURAL

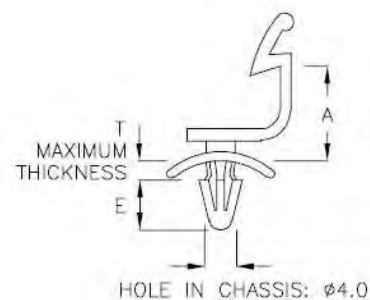


PART NO	A	B	T P.C.B. THICKNESS	D SCREW	E	PACKAGE
SSBS-6	6.2	7.6	1.0~1.7	#6-32	10.6	1000
SSBS-6M	6.35	5.0	1.0~1.7	#6-32	10.6	
SSBS-10	9.6	7.5	1.0~1.7	#6-32	10.6	
SSBS-12A	12.5	5.0	1.0~1.7	#6-32	10.1	500
SSBS4-6	6.3	5.0	1.0~1.7	M4	10.6	
SSBS4-10	10.0	7.4	1.0~1.7	M4	10.6	
SSBS4-16	15.8	7.4	1.0~1.7	M4	10.6	



P.C. 板間隔柱 SPACER SUPPORT ———— 3-54-2

- MATERIAL: NYLON 66(UL)
- FLAME CLASS: 94V-2
- COLOR: NATURAL

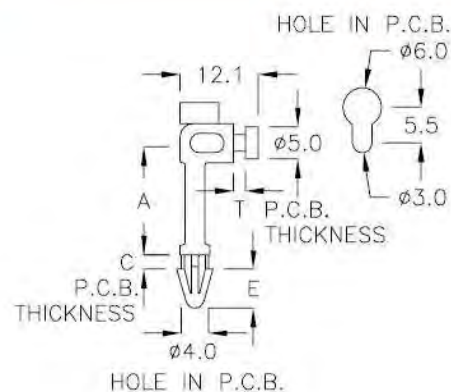


PART NO	A	T MAXIMUM THICKNESS	E	PACKAGE
LLS-12	12.6	2.0	6.6	500



P.C. 板間隔柱 SPACER SUPPORT ———— 3-54-3

- MATERIAL: NYLON 66(UL)
- FLAME CLASS: 94V-2
- COLOR: NATURAL

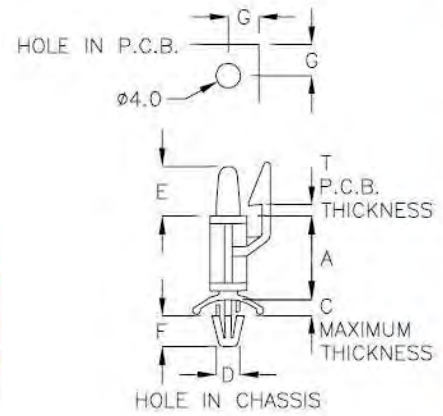


PART NO	A	T P.C.B. THICKNESS	C P.C.B. THICKNESS	E	PACKAGE
LTU-20	20.0	1.7	1.7	6.0	500
LTU-20A	20.0	1.7	2.0	6.0	



P.C. 板間隔柱 SPACER SUPPORT ———— 3-55-1

- MATERIAL: NYLON 66(UL)
- FLAME CLASS: 94V-2
- COLOR: NATURAL

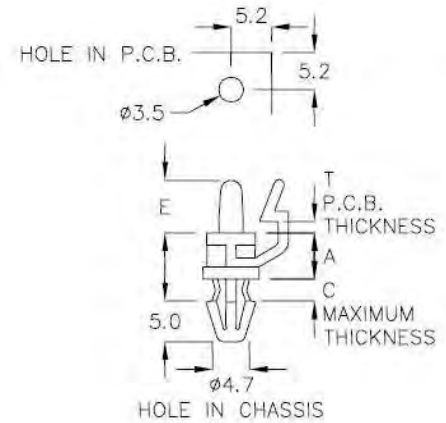


PART NO	A	B	C MAXIMUM THICKNESS	D HOLE IN CHASSIS	E	F	G	T P.C.B. THICKNESS	PACKAGE
LT-10	9.2	5.5	2.0	$\phi 4.0$	7.4	5.2	5.0	0.8~2.0	500
LT-12	11.9	5.5	2.0	$\phi 4.0$	7.35	4.5	5.0	0.8~2.0	
LT-15	15.1	5.5	2.0	$\phi 4.0$	7.4	5.2	5.0	0.8~2.0	
LT-18	17.2	5.5	2.0	$\phi 4.0$	7.35	5.2	5.0	0.8~2.0	
LT-26	26.2	6.4	2.0	$\phi 5.0$	15.0	5.2	6.0	0.8~2.0	



P.C. 板間隔柱 SPACER SUPPORT ———— 3-55-2

- MATERIAL: NYLON 66(UL)
- FLAME CLASS: 94V-2
- COLOR: NATURAL

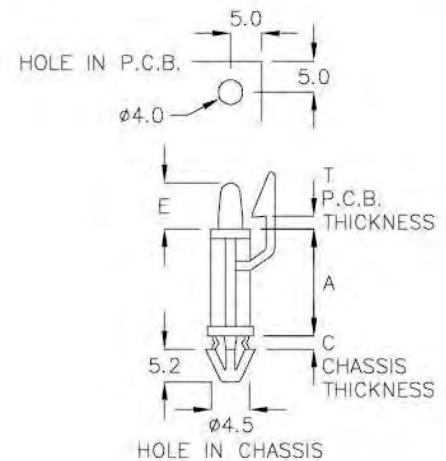


PART NO	A	C MAXIMUM THICKNESS	E	T P.C.B. THICKNESS	PACKAGE
LTC-5A	5.7	2.4	6.5	0.8~1.0	1000



P.C. 板間隔柱 SPACER SUPPORT ———— 3-55-3

- MATERIAL: NYLON 66(UL)
- FLAME CLASS: 94V-2
- COLOR: NATURAL



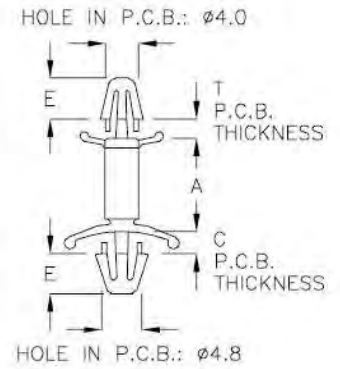
PART NO	A	C CHASSIS THICKNESS	E	T P.C.B. THICKNESS	PACKAGE
LT-08A	7.5	1.2~1.6	7.0	1.4~1.6	500
LT-18A	18.8	1.0~1.4	7.3	1.4~1.6	



P.C. 板間隔柱 SPACER SUPPORT 3-56-1

- MATERIAL: NYLON 66(UL)
- FLAME CLASS: 94V-2
- COLOR: NATURAL

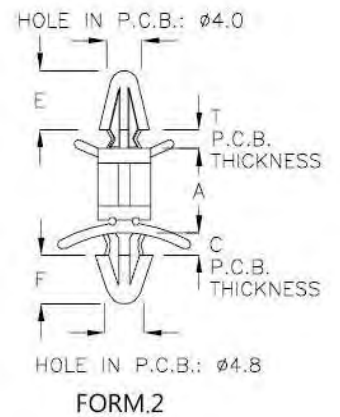
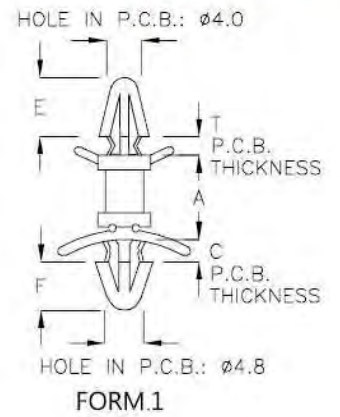
PART NO	A	T P.C.B. THICKNESS	C P.C.B. THICKNESS	E	PACKAGE
LCWS-12	12.7	1.4~1.6	0.8~2.0	4.8	500



P.C. 板間隔柱 SPACER SUPPORT 3-56-2

- MATERIAL: NYLON 66(UL)
- FLAME CLASS: 94V-2
- COLOR: NATURAL

PART NO	A	T P.C.B. THICKNESS	C P.C.B. THICKNESS	E	F	FORM	PACKAGE
LCBS-5	5.0	0.8~1.7	0.8~1.7	7.1	6.1	1	1000
LCBS-6	6.35	0.8~1.7	0.8~1.7	7.1	6.1	1	
LCBS-10	10.0	0.8~1.7	0.8~1.7	7.1	6.1	1	
LCBS-15	15.0	0.8~1.7	0.8~1.7	7.1	5.7	1	500
LCBS-20	20.0	0.8~1.7	0.8~1.7	7.1	5.7	1	
LCBS-25	25.0	0.8~1.7	0.8~1.7	7.1	5.7	1	
LCBS-29	29.0	0.8~1.7	0.8~1.7	7.1	6.1	2	
LCBS-30	30.0	1.0~2.0	1.0~2.0	7.0	6.0	2	
LCBS-35	35.0	0.8~1.7	0.8~1.7	7.1	6.1	1	
LCBS-37KM	37.7	0.8~1.7	1.0~2.0	7.1	6.0	2	
LCBS-38	38.0	0.8~1.7	0.8~1.7	7.1	6.1	1	
LCBS-45	45.0	0.8~1.7	0.8~1.7	7.1	6.1	1	

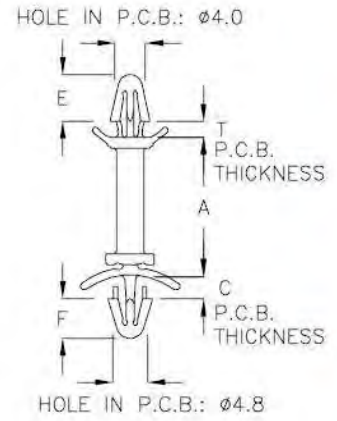




P.C. 板間隔柱 SPACER SUPPORT 3-57-1

- MATERIAL: NYLON 66(UL)
- FLAME CLASS: 94V-2
- COLOR: NATURAL

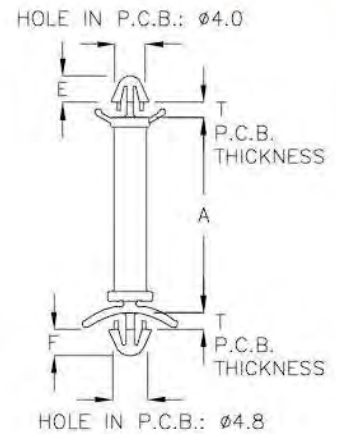
PART NO	A	T P.C.B. THICKNESS	C P.C.B. THICKNESS	E	F	PACKAGE
LCBS-20QT	20.0	0.8~1.7	1.5~2.5	6.7	5.7	500



P.C. 板間隔柱 SPACER SUPPORT 3-57-2

- MATERIAL: NYLON 66(UL)
- FLAME CLASS: 94V-2
- COLOR: NATURAL

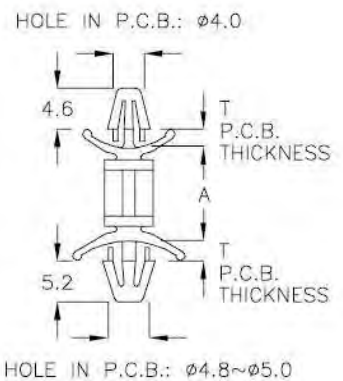
PART NO	A	T P.C.B. THICKNESS	E	F	PACKAGE
LCBS-44	43.65	0.8~1.7	4.0	4.0	500



P.C. 板間隔柱 SPACER SUPPORT 3-57-3

- MATERIAL: NYLON 66(UL)
- FLAME CLASS: 94V-2
- COLOR: NATURAL

PART NO	A	T P.C.B. THICKNESS	PACKAGE
LTBS-6	6.35	0.8~1.7	500
LTBS-10	9.4	0.8~1.7	
LTBS-12	12.7	0.8~1.7	
LTBS-15	15.9	0.8~1.7	
LTBS-19	19.1	0.8~1.7	
LTBS-21	20.5	0.8~1.7	
LTBS-22	22.2	0.8~1.7	

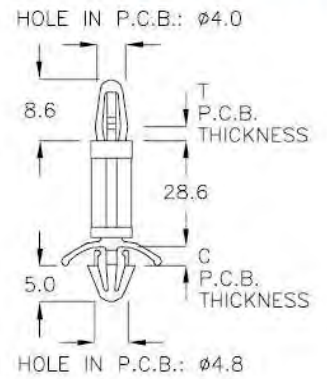




P.C. 板間隔柱 SPACER SUPPORT

3-58-1

- MATERIAL: NYLON 66(UL)
- FLAME CLASS: 94V-2
- COLOR: NATURAL



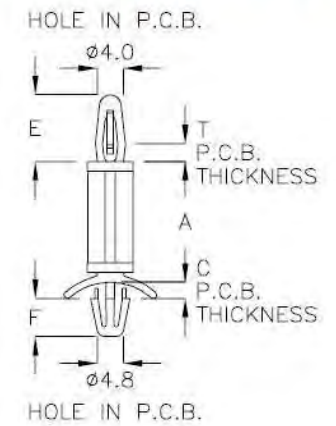
PART NO	T P.C.B. THICKNESS	C P.C.B. THICKNESS	PACKAGE
LCC-28A	1.2~1.6	0.5~2.0	500



P.C. 板間隔柱 SPACER SUPPORT

3-58-2

- MATERIAL: NYLON 66(UL)
- FLAME CLASS: 94V-2
- COLOR: NATURAL



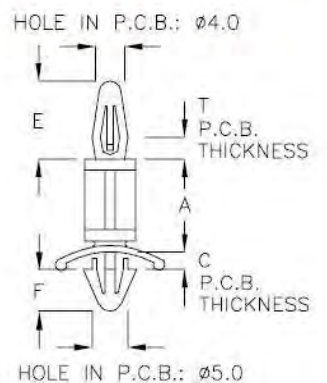
PART NO	A	T P.C.B. THICKNESS	C P.C.B. THICKNESS	E	F	PACKAGE
LCC-16KF	15.9	1.2~1.7	0.8~2.0	10.2	5.0	500
LCC-22TB	22.2	1.2~1.6	0.8~2.0	10.2	5.6	1000
LCC-25QT	25.4	1.2~1.7	0.8~2.0	10.2	5.0	500
LCC-25A	25.8	1.2~1.6	0.8~1.6	10.2	5.9	1000
LCC-28C	28.6	1.2~1.6	0.8~2.0	10.2	5.9	500



P.C. 板間隔柱 SPACER SUPPORT

3-58-3

- MATERIAL: NYLON 66(UL)
- FLAME CLASS: 94V-2
- COLOR: NATURAL



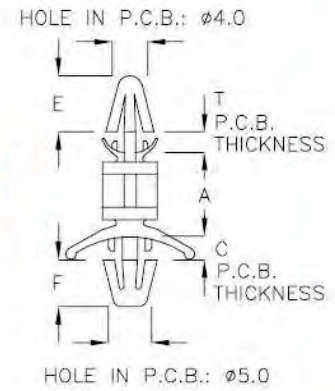
PART NO	A	T P.C.B. THICKNESS	C P.C.B. THICKNESS	E	F	PACKAGE
LCC-5	4.8	1.2~1.6	1.0~2.2	10.7	5.5	500
LCC-6	6.35	1.2~1.6	1.0~2.2	10.7	5.5	
LCC-10	9.6	1.2~1.6	1.0~2.2	10.7	5.5	
LCC-12	12.7	1.2~1.6	1.0~2.2	10.7	5.5	
LCC-15	15.9	1.2~1.6	1.0~2.2	10.7	5.5	



P.C. 板間隔柱 SPACER SUPPORT ———— 3-59-1 |

- MATERIAL: NYLON 66(UL)
- FLAME CLASS: 94V-2
- COLOR: NATURAL

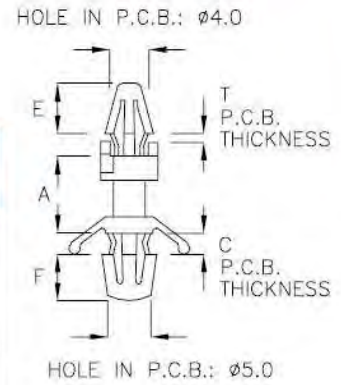
PART NO	A	T P.C.B. THICKNESS	C P.C.B. THICKNESS	E	F	PACKAGE
LBB-10	9.6	0.8~1.7	0.8~2.0	5.8	5.1	1000



P.C. 板間隔柱 SPACER SUPPORT ———— 3-59-2 |

- MATERIAL: NYLON 66(UL)
- FLAME CLASS: 94V-2
- COLOR: NATURAL

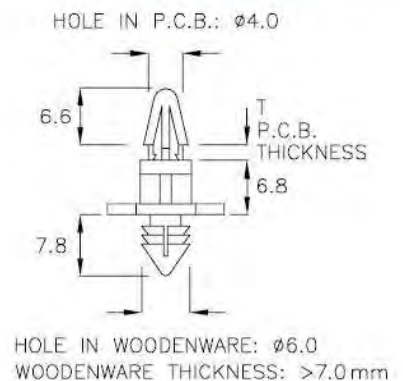
PART NO	A	T P.C.B. THICKNESS	C P.C.B. THICKNESS	E	F	PACKAGE
CBS-5	4.8	0.8~1.9	0.5~2.2	6.0	5.5	1000
CBS-6	6.35	0.8~1.9	0.5~2.2	6.0	5.5	
CBS-10	9.2	0.8~1.9	0.5~2.2	6.0	5.5	
CBS-12	12.7	0.8~1.9	0.5~2.2	6.0	5.5	
CBS-15	15.9	0.8~1.9	0.5~2.2	6.0	5.5	500
CBS-19	19.0	0.8~1.9	0.5~2.2	6.0	5.5	
CBS-25	25.4	0.8~1.9	0.5~2.2	6.0	5.5	
CBS-28	28.5	0.8~1.9	0.5~2.2	6.0	5.5	
CBS-35	35.0	0.8~1.9	0.5~2.2	6.0	5.5	

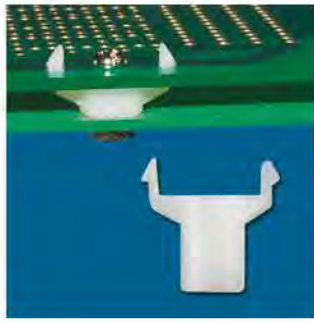


P.C. 板間隔柱 SPACER SUPPORT ———— 3-59-3 |

- MATERIAL: NYLON 66(UL)
- FLAME CLASS: 94V-2
- COLOR: NATURAL

PART NO	T P.C.B. THICKNESS	PACKAGE
WCB-6	1.2~1.6	1000

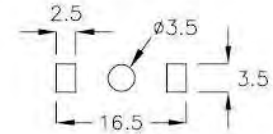
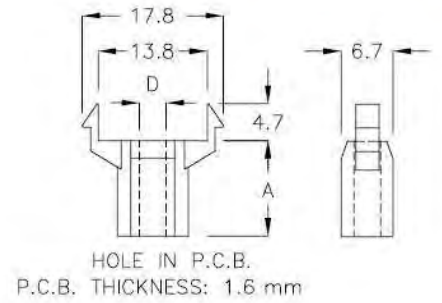




P.C. 板間隔柱 SPACER SUPPORT 3-60-1

- MATERIAL: NYLON 66(UL)
- FLAME CLASS: 94V-2
- COLOR: NATURAL

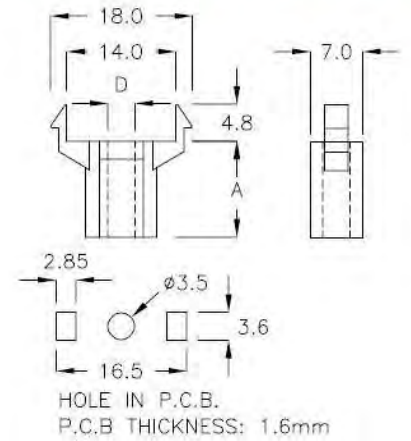
PART NO	A	D SCREW	PACKAGE
L-16	12.0	M3.0×19.0	500
L-16S	5.0	M3.0×12.0	1000



P.C. 板間隔柱 SPACER SUPPORT 3-60-2

- MATERIAL: NYLON 66(UL)
- FLAME CLASS: 94V-2
- COLOR: NATURAL

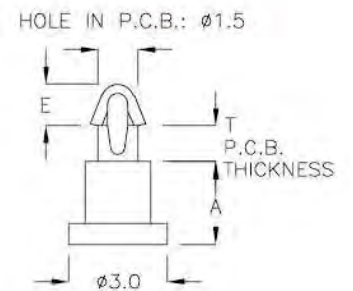
PART NO	A	D SCREW	PACKAGE
L-9A	9.4	M3.0×16.0	1000



P.C. 板間隔柱 SPACER SUPPORT 3-60-3

- MATERIAL: NYLON 66(UL)
- FLAME CLASS: 94V-2
- COLOR: NATURAL

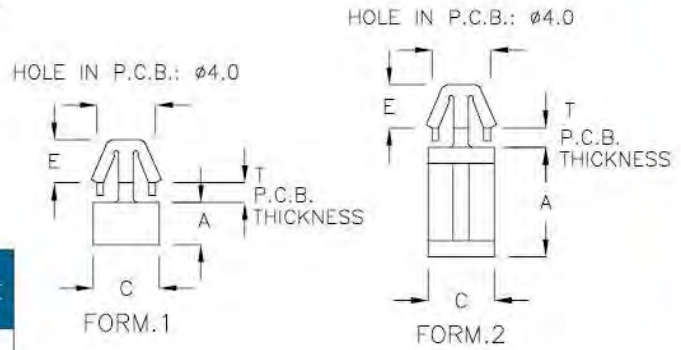
PART NO	A	T P.C.B. THICKNESS	E	PACKAGE
PCE-1AL	1.5	1.4~1.6	2.0	2000
PCE-2L	2.0	1.4~1.6	2.0	
PCE-2M	2.5	1.4~1.6	2.0	
PCE-3L	3.0	1.4~1.6	2.0	
PCE-3M	3.5	1.4~1.6	2.0	
PCE-04	4.0	1.4~1.6	2.0	
PCE-4EW	4.5	1.4~1.6	2.0	
PCE-5BZ	5.0	1.4~1.6	2.0	





P.C. 板間隔柱 SPACER SUPPORT ———— 3-81-1 |

- MATERIAL: NYLON 66(UL)
- FLAME CLASS: 94V-2
- COLOR: NATURAL

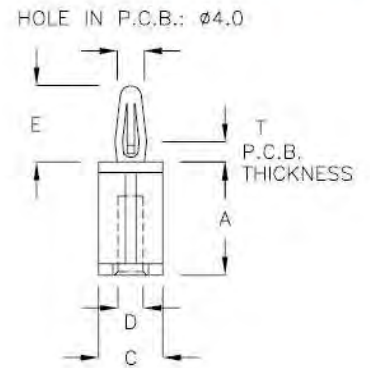


PART NO	A	T P.C.B. THICKNESS	C	E	FORM	PACKAGE
MC-1AK	1.5	0.6~0.8	∅5.0	3.0	1	2000
MC-002	2.0	0.6~0.8	∅5.0	3.6	1	
MC-02A	2.0	0.7~0.8	∅4.8	2.5	1	
MC-02C	2.0	0.9~1.2	∅5.0	3.8	1	
MC-2DP	2.0	0.85~1.15	∅6.8	2.2	1	
MC-2M	2.5	1.2~1.6	∅5.0	3.6	1	
MC-2NJ	2.0	0.85~1.0	∅5.0	2.2	1	
MC-2P	2.3	1.2~1.6	∅5.0	3.5	1	
MC-3	3.0	1.2~1.7	∅5.1	3.4	2	2000
MC-3A	3.0	1.6~2.0	∅7.0	2.9	2	
MC-3K	3.5	1.2~1.6	∅5.0	3.5	2	
MC-3QS	3.2	1.2~1.6	∅5.0	3.5	2	
MC-4	4.0	1.2~1.7	∅5.2	3.4	2	
MC-4KP	4.0	1.6~1.8	∅7.0	2.9	2	
MC-04D	4.5	1.2~1.7	∅5.0	3.3	2	
MC-5B	5.0	0.8~1.0	∅5.1	3.4	2	
MC-06A	6.5	1.2~1.7	∅5.0	3.3	2	
MC-07M	7.5	1.2~1.7	∅5.0	3.3	2	
MC-8	8.0	1.2~1.7	∅4.9	3.6	2	1000
MC-8A	8.5	1.2~1.6	∅5.1	3.3	2	
MC-09	9.0	1.2~1.6	∅5.1	3.3	2	
MC-10A	10.0	1.2~1.6	∅5.1	3.3	2	
MC-14	14.0	1.2~1.6	∅5.1	3.5	2	1000
MC-14C	14.5	1.2~1.6	∅5.1	3.0	2	
MC-15C	15.9	1.2~1.6	∅5.1	3.0	2	
MC-35	35.0	1.2~1.6	∅5.1	3.3	2	500



P.C. 板間隔柱 SPACER SUPPORT ———— | 3-82-1 |

- MATERIAL: NYLON 66(UL)
- FLAME CLASS: 94V-2
- COLOR: NATURAL

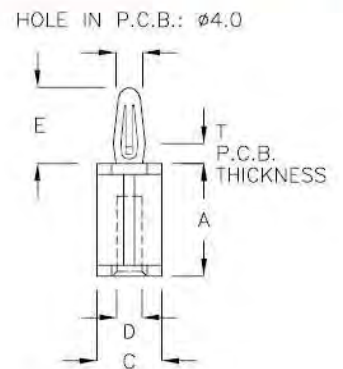


PART NO	A	T P.C.B. THICKNESS	C	SCREW & THICKNESS		E	PACKAGE
				D TAPPING SCREW	SUITABLE THICKNESS		
BCBS-6	6.35	1.2~1.7	9.0	M3.5X6	1.0	10.7	500
BCBS-8	8.0	1.2~1.7	8.9	M3.5X6	1.0	10.6	
BCBS-10	10.0	1.2~1.7	9.0	M3.5X6	1.0	10.1	
BCBS-12	12.7	1.2~1.7	8.9	M3.5X6	1.0	10.6	
BCBS-14	14.0	1.2~1.7	9.2	M3.5X6	1.0	10.2	
BCBS-15	15.9	1.2~1.7	9.1	M3.5X6	1.0	10.1	
BCBS-29A	29.0	1.2~1.7	9.2	M3.5X6	1.0	10.4	
BCBS-29	29.4	1.2~1.7	9.2	M3X6	1.0	10.4	



P.C. 板間隔柱 SPACER SUPPORT ———— | 3-82-2 |

- MATERIAL: NYLON 66(UL)
- FLAME CLASS: 94V-2
- COLOR: NATURAL



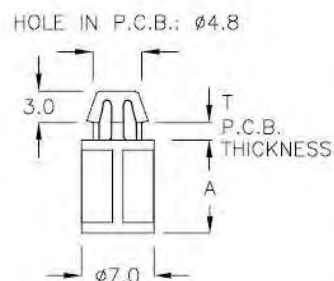
PART NO	A	T P.C.B. THICKNESS	C	SCREW & THICKNESS		E	PACKAGE
				D TAPPING SCREW	SUITABLE THICKNESS		
BCMS-6	6.35	1.2~1.7	9.0	M3X6	1.0	10.7	500
BCMS-6AD	6.0	1.2~1.7	8.6	M3X5	1.0	10.2	
BCMS-8	8.0	1.2~1.7	8.9	M3X6	1.0	10.6	
BCMS-10	10.0	1.2~1.7	9.0	M3X6	1.0	10.1	
BCMS-12	12.7	1.2~1.7	8.9	M3X6	1.0	10.6	
BCMS-14	14.0	1.2~1.7	9.2	M3X6	1.0	10.3	



P.C. 板間隔柱 SPACER SUPPORT 3-83-1

- MATERIAL: NYLON 66(UL)
- FLAME CLASS: 94V-2
- COLOR: NATURAL

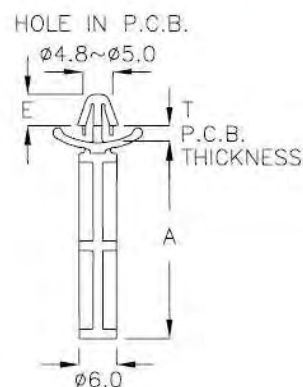
PART NO	A	T P.C.B. THICKNESS	PACKAGE
TCY-09	9.0	1.2~1.6	1000
TCY-12A	12.8	1.2~1.6	
TCY-16	16.0	1.2~1.6	
TCY-18	18.0	1.2~1.6	
TCY-22	22.0	1.2~1.6	



P.C. 板間隔柱 SPACER SUPPORT 3-83-2

- MATERIAL: NYLON 66(UL)
- FLAME CLASS: 94V-2
- COLOR: NATURAL

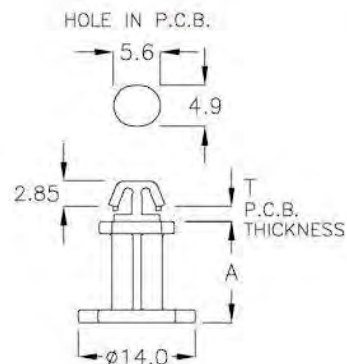
PART NO	A	T CHASSIS THICKNESS	E	PACKAGE
MFW-31A	31.35	0.8~2.0	5.0	500



P.C. 板間隔柱 SPACER SUPPORT 3-83-3

- MATERIAL: NYLON 66(UL)
- FLAME CLASS: 94V-2
- COLOR: NATURAL

PART NO	A	T P.C.B. THICKNESS	PACKAGE
TCYA-12JM	12.0	1.6	1000

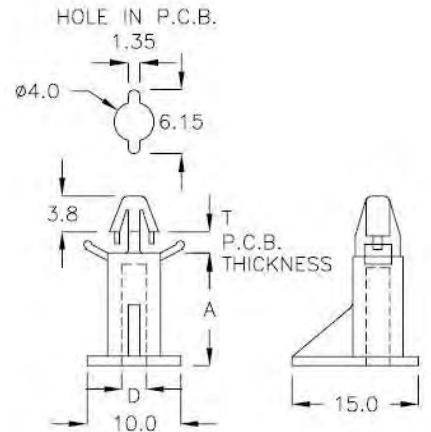




P.C. 板間隔柱 SPACER SUPPORT 3-84-1

- MATERIAL: NYLON 66(UL)
- FLAME CLASS: 94V-2
- COLOR: NATURAL

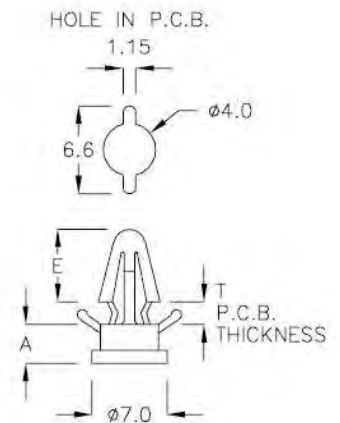
PART NO	A	T P.C.B. THICKNESS	SCREW & THICKNESS		PACKAGE
			D TAPPING SCREW	SUITABLE THICKNESS	
TAJ-12	12.0	1.2~2.1	M3X8	1.0	500



P.C. 板間隔柱 SPACER SUPPORT 3-84-2

- MATERIAL: NYLON 66(UL)
- FLAME CLASS: 94V-2
- COLOR: NATURAL

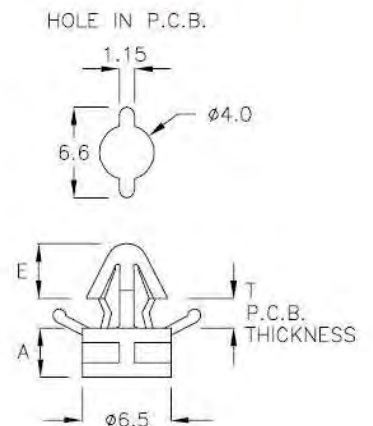
PART NO	A	T P.C.B. THICKNESS	E	PACKAGE



P.C. 板間隔柱 SPACER SUPPORT 3-84-3

- MATERIAL: NYLON 66(UL)
- FLAME CLASS: 94V-2
- COLOR: NATURAL

PART NO	A	T P.C.B. THICKNESS	E	PACKAGE

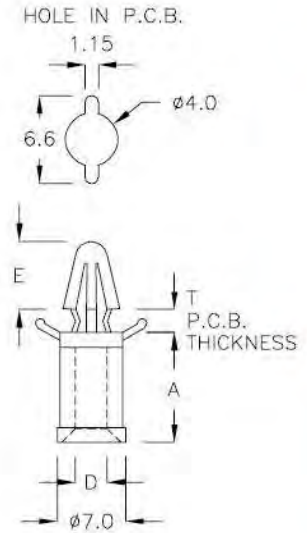




P.C. 板間隔柱 SPACER SUPPORT ——— 3-85-1

- MATERIAL: NYLON 66(UL)
- FLAME CLASS: 94V-2
- COLOR: NATURAL

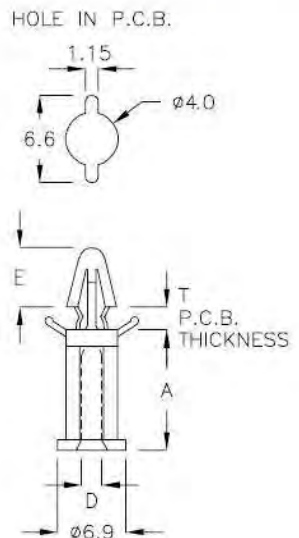
PART NO	A	T P.C.B. THICKNESS	SCREW & THICKNESS		E	PACKAGE
			D TAPPING SCREW	SUITABLE THICKNESS		
TCA-3K	3.6	1.2~1.7	M3X3	1.0	5.0	1000
TCA-4A	4.5	1.2~1.7	M3X4	1.0	6.8	500
TCA-5C	5.5	1.2~1.7	M3X5	1.0	4.0	1000
TCA-07	7.0	1.2~1.7	M3X6	1.0	6.8	
TCA-7A	7.7	1.2~1.7	M3X7	1.0	5.8	
TCA-8A	8.5	1.2~1.7	M3X7	1.0	6.8	
TCA-8C	8.5	1.2~1.7	M3X7	1.0	5.8	



P.C. 板間隔柱 SPACER SUPPORT ——— 3-85-2

- MATERIAL: NYLON 66(UL)
- FLAME CLASS: 94V-2
- COLOR: NATURAL

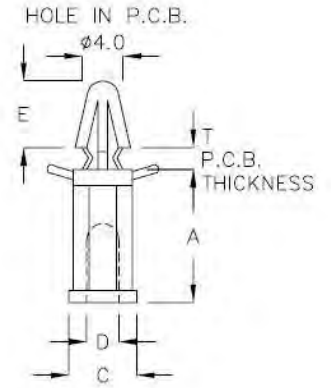
PART NO	A	T P.C.B. THICKNESS	SCREW & THICKNESS		E	PACKAGE
			D TAPPING SCREW	SUITABLE THICKNESS		
TCA-14	14.0	1.1~1.7	M3X10	1.0	7.0	500





P.C. 板間隔柱 SPACER SUPPORT ———— | 3-86-1 |

- MATERIAL: NYLON 66(UL)
- FLAME CLASS: 94V-2
- COLOR: NATURAL

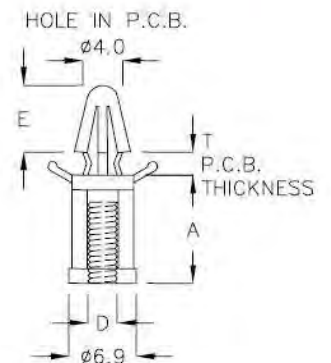


PART NO	A	C	E	T P.C.B. THICKNESS	SCREW & THICKNESS		PACKAGE
					D TAPPING SCREW	SUITABLE THICKNESS	
TCBS-5	5.0	$\phi 6.9$	7.2	1.2~1.9	M3X4.5	1.0	1000
TCBS-5A	5.5	$\phi 6.9$	7.0	1.2~1.9	M3X4.5	1.0	
TCBS-6	6.35	$\phi 8.0$	6.8	1.2~1.9	M3X5	1.0	
TCBS-7	7.0	$\phi 7.8$	6.8	1.2~1.9	M3X6	1.0	
TCBS-10	10.0	$\phi 6.9$	7.2	1.2~1.9	M3X6	1.0	
TCBS-12K	12.5	$\phi 6.9$	6.8	1.2~1.9	M3X8	1.0	
TCBS-14	14.0	$\phi 6.8$	7.1	1.2~1.9	M3X8	1.0	
TCBS-15	15.1	$\phi 6.9$	7.0	1.2~1.9	M3X10	1.0	
TCBS-18	18.0	$\phi 6.9$	6.7	1.2~1.9	M3X10	1.0	
TCBS-20	20.0	$\phi 6.8$	7.1	1.2~1.9	M3X10	1.0	
TCBS-25	25.0	$\phi 6.9$	7.1	1.2~1.9	M3X10	1.0	
TCBS-27A	27.5	$\phi 6.9$	6.8	1.2~1.9	M3X10	1.0	
TCBS-29	29.3	$\phi 6.9$	6.8	1.2~1.9	M3X10	1.0	
TCBS-30	30.0	$\phi 6.9$	7.2	1.2~1.9	M3X10	1.0	
TCBS-35	35.0	$\phi 6.9$	6.8	1.2~1.9	M3X10	1.0	
TCBS-38	38.0	$\phi 9.9$	6.7	1.2~1.9	M3X10	1.0	
TCBS-40	40.0	$\phi 7.0$	7.0	1.2~1.9	M3X10	1.0	
TCBS-49	49.0	$\phi 8.1$	6.6	1.2~1.9	M3X10	1.0	200



P.C. 板間隔柱 SPACER SUPPORT ———— | 3-86-2 |

- MATERIAL: NYLON 66(UL)
- FLAME CLASS: 94V-2
- COLOR: NATURAL



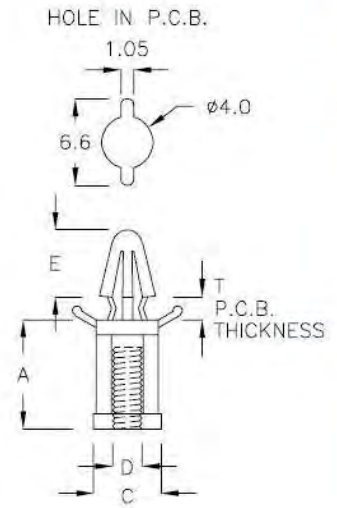
PART NO	A	E	T P.C.B. THICKNESS	SCREW & THICKNESS		PACKAGE
				D SCREW	SUITABLE THICKNESS	
TCM3-7	7.0	6.8	1.2~1.7	M3X7	1.0	1000
TCM3-8M	8.5	6.8	1.2~1.7	M3X6	1.0	
TCM3-11	11.0	6.8	1.2~1.7	M3X8	1.0	



P.C. 板間隔柱 SPACER SUPPORT ———— 3-87-1 |

- MATERIAL: NYLON 66(UL)
- FLAME CLASS: 94V-2
- COLOR: NATURAL

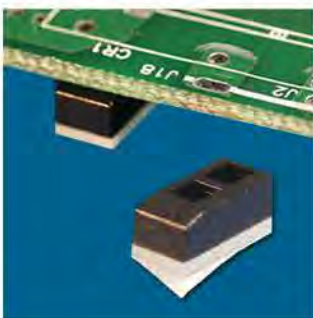
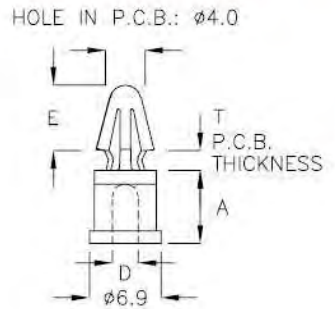
PART NO	A	T P.C.B. THICKNESS	C	SCREW & THICKNESS		E	PACKAGE
				D SCREW	SUITABLE THICKNESS		
TCM3-8MF	8.5	1.2~1.7	ø6.9	M3X7	1.0	6.9	1000



P.C. 板間隔柱 SPACER SUPPORT ———— 3-87-2 |

- MATERIAL: NYLON 66(UL)
- FLAME CLASS: 94V-2
- COLOR: NATURAL

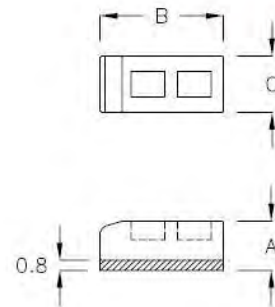
PART NO	A	T P.C.B. THICKNESS	SCREW & THICKNESS		E	PACKAGE
			D TAPPING SCREW	SUITABLE THICKNESS		
TCL-07	7.0	1.2~1.7	M3X7	1.0	6.2	1000

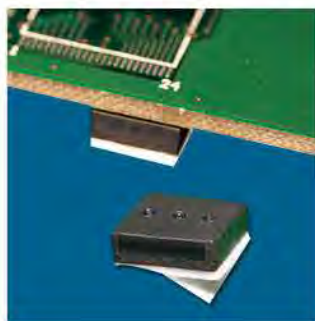


P.C. 板間隔柱 SPACER SUPPORT ———— 3-87-3 |

- MATERIAL: PC(UL)
- FLAME CLASS: 94V-2
- COLOR: BLACK
- ADHESIVE TAPE: 3M

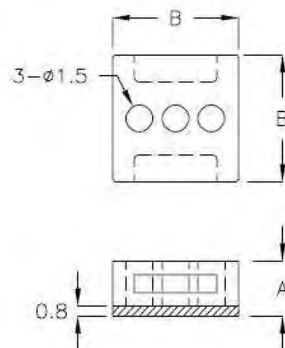
PART NO	A	B	C	PACKAGE
MSR-4Q	3.95	10.0	4.5	2000



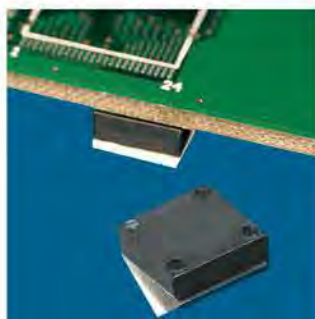


P.C. 板間隔柱 SPACER SUPPORT 3-88-1

- MATERIAL: NYLON 66(UL)
- FLAME CLASS: 94V-2
- COLOR: BLACK
- ADHESIVE TAPE: 3M

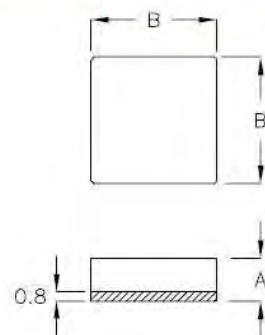


PART NO	A	B	PACKAGE
MSK-2C	3.3	10.0	2000
MSK-2F	3.3	7.0	
MSK-3AF	3.8	10.0	1000
MSK-3D	4.3	10.0	
MSK-6K	6.1	10.0	

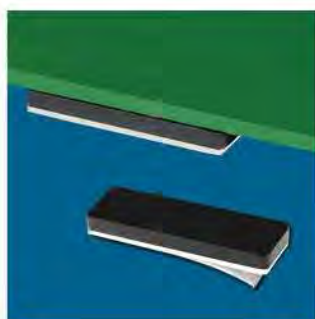


P.C. 板間隔柱 SPACER SUPPORT 3-88-2

- MATERIAL: NYLON 66(UL)
- FLAME CLASS: 94V-2
- COLOR: BLACK
- ADHESIVE TAPE: 3M

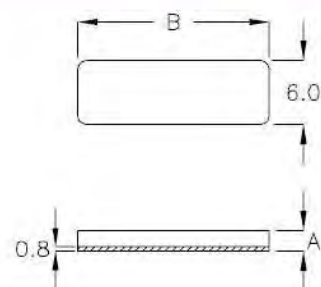


PART NO	A	B	PACKAGE
MSK-2A	3.3	10.0	2000
MSK-2RY	2.3	10.0	

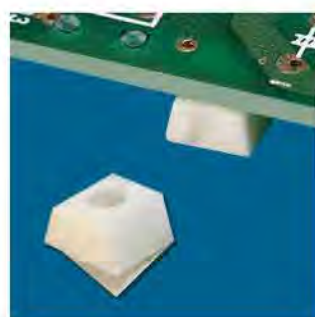


P.C. 板間隔柱 SPACER SUPPORT 3-88-3

- MATERIAL: NYLON 66(UL)
- FLAME CLASS: 94V-2
- COLOR: BLACK
- ADHESIVE TAPE: 3M

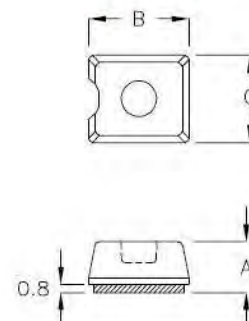


PART NO	A	B	PACKAGE
MSLQ-2	2.35	18.0	1000

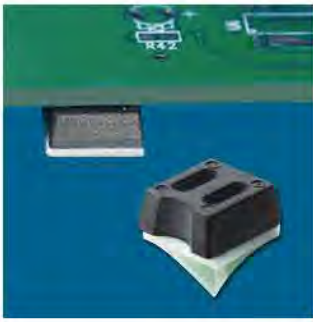


P.C. 板間隔柱 SPACER SUPPORT 3-88-4

- MATERIAL: NYLON 66(UL)
- FLAME CLASS: 94V-2
- COLOR: NATURAL
- ADHESIVE TAPE: 3M

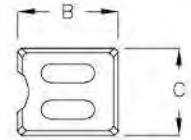


PART NO	A	B	C	PACKAGE
MSZ-3Q	3.8	7.0	6.0	2000

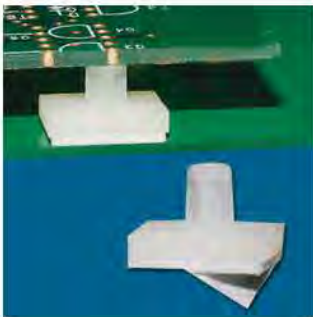
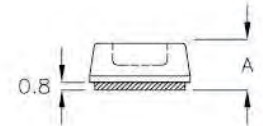


P.C. 板間隔柱 SPACER SUPPORT 3-89-1

- MATERIAL: NYLON 66(UL)
- FLAME CLASS: 94V-2
- COLOR: BLACK
- ADHESIVE TAPE: 3M

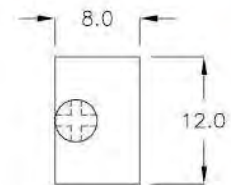


PART NO	A	B	C	PACKAGE
MSZ-3KS	3.6	7.0	6.0	2000
MSZ-4ST	5.1	7.0	6.0	
MSZ-5RY	5.75	7.0	6.0	

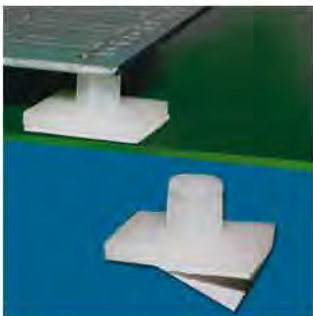
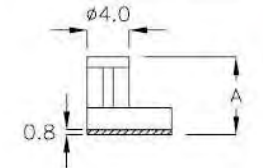


P.C. 板間隔柱 SPACER SUPPORT 3-89-2

- MATERIAL: NYLON 66(UL)
- FLAME CLASS: 94V-2
- COLOR: NATURAL
- ADHESIVE TAPE: 3M

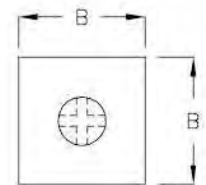


PART NO	A	PACKAGE
MSA-6A	7.7	500
MSA-10	9.8	

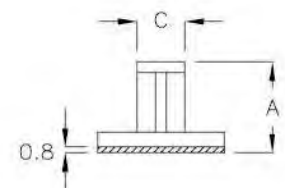


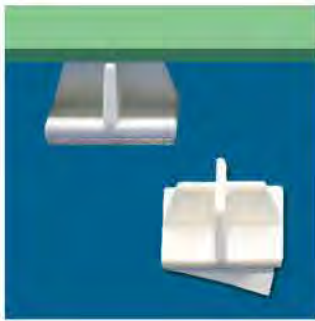
P.C. 板間隔柱 SPACER SUPPORT 3-89-3

- MATERIAL: NYLON 66(UL)
- FLAME CLASS: 94V-2
- COLOR: NATURAL
- ADHESIVE TAPE: 3M



PART NO	A	B	C	PACKAGE
MST-05	5.0	12.0	ø6.9	500
MST-6C	6.35	12.0	ø6.9	
MST-07	7.0	18.1	ø6.9	
MST-9A	9.4	18.1	ø6.9	
MST-10FC	10.8	18.0	ø8.0	
MST-16	15.9	18.1	ø6.9	
MST-16SA	16.4	18.1	ø6.9	
MST-19BH	19.4	18.0	ø8.0	
MST-20CQ	20.6	18.1	ø6.9	
MST-22	21.8	18.0	ø6.9	
MST-37F	37.0	18.1	ø6.9	

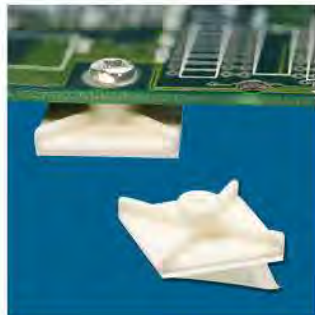
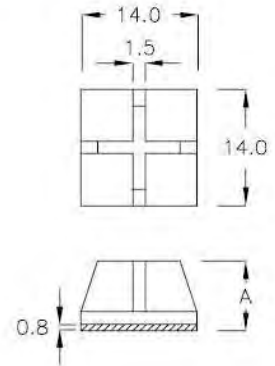




P.C. 板間隔柱 SPACER SUPPORT ———— **3-90-1**

- MATERIAL: NYLON 66(UL)
- FLAME CLASS: 94V-2
- COLOR: NATURAL
- USE M3 TAPPING SCREW

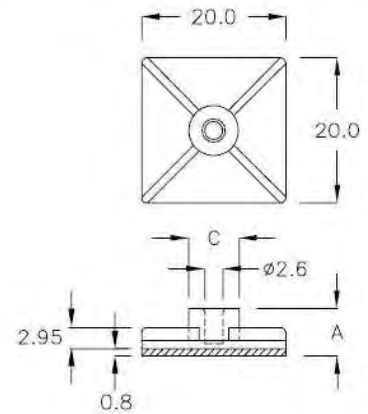
PART NO	A	PACKAGE
MSQ-7A	8.4	500
MSQ-7C	7.5	
MSQ-27K	27.4	



P.C. 板間隔柱 SPACER SUPPORT ———— **3-90-2**

- MATERIAL: NYLON 66(UL)
- FLAME CLASS: 94V-2
- COLOR: NATURAL
- ADHESIVE TAPE: 3M
- USE M3 TAPPING SCREW

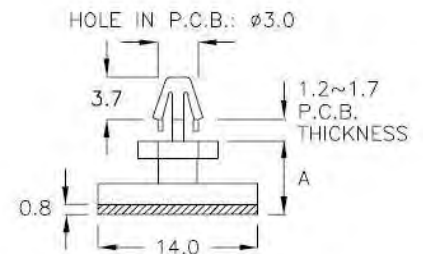
PART NO	A	C	PACKAGE
MSS-6A	6.35	∅7.0	500



P.C. 板間隔柱 SPACER SUPPORT ———— **3-90-3**

- MATERIAL: NYLON 66(UL)
- FLAME CLASS: 94V-2
- COLOR: NATURAL
- ADHESIVE TAPE: 3M

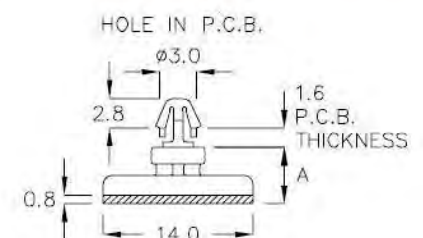
PART NO	A	ADHESIVE AREA	PACKAGE
MSB-6A	6.3	14.0x14.0	500
MSB-11A	12.6	14.0x14.0	



P.C. 板間隔柱 SPACER SUPPORT ———— **3-90-4**

- MATERIAL: NYLON 66(UL)
- FLAME CLASS: 94V-2
- COLOR: NATURAL
- ADHESIVE TAPE: 3M

PART NO	A	ADHESIVE AREA	PACKAGE
MSBA-5TG	5.2	14.0x14.0	500

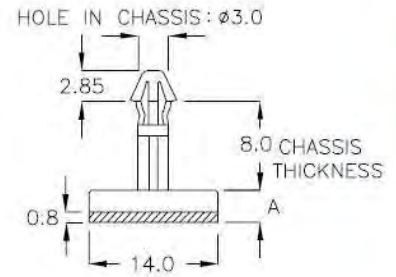




P.C. 板間隔柱 SPACER SUPPORT ————— | 3-91-1 |

- MATERIAL: NYLON 66(UL)
- FLAME CLASS: 94V-2
- COLOR: NATURAL
- ADHESIVE TAPE: 3M

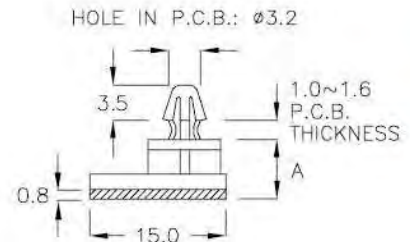
PART NO	A	ADHESIVE AREA	PACKAGE
MSP-03	2.8	14.0x16.0	2000



P.C. 板間隔柱 SPACER SUPPORT ————— | 3-91-2 |

- MATERIAL: NYLON 66(UL)
- FLAME CLASS: 94V-2
- COLOR: NATURAL
- ADHESIVE TAPE: 3M

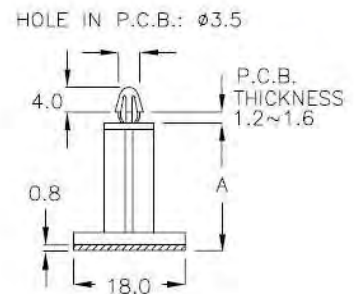
PART NO	A	ADHESIVE AREA	PACKAGE
AAA-01	3.0	15.0x15.0	500
AAA-3A	4.5	15.0x15.0	



P.C. 板間隔柱 SPACER SUPPORT ————— | 3-91-3 |

- MATERIAL: NYLON 66(UL)
- FLAME CLASS: 94V-2
- COLOR: NATURAL
- ADHESIVE TAPE: 3M

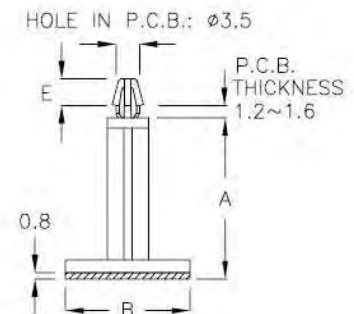
PART NO	A	ADHESIVE AREA	PACKAGE
MSC-20A	20.3	18.0x18.0	500



P.C. 板間隔柱 SPACER SUPPORT ————— | 3-91-4 |

- MATERIAL: NYLON 66(UL)
- FLAME CLASS: 94V-2
- COLOR: NATURAL
- ADHESIVE TAPE: 3M

PART NO	A	E	B ADHESIVE AREA	PACKAGE
MSF-13F	13.8	2.9	14.5x14.5	1000
MSF-25	25.1	3.85	18.0x18.0	200

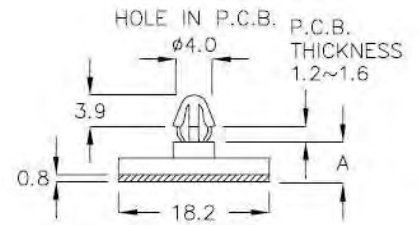




P.C. 板間隔柱 SPACER SUPPORT ———— 3-92-1

- MATERIAL: NYLON 66(UL)
- FLAME CLASS: 94V-2
- COLOR: NATURAL
- ADHESIVE TAPE: 3M

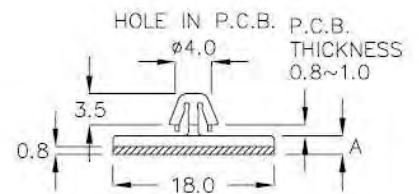
PART NO	A	ADHESIVE AREA	PACKAGE
SCTMS-5	4.8	18.2x18.2	500



P.C. 板間隔柱 SPACER SUPPORT ———— 3-92-2

- MATERIAL: NYLON 66(UL)
- FLAME CLASS: 94V-2
- COLOR: NATURAL
- ADHESIVE TAPE: 3M

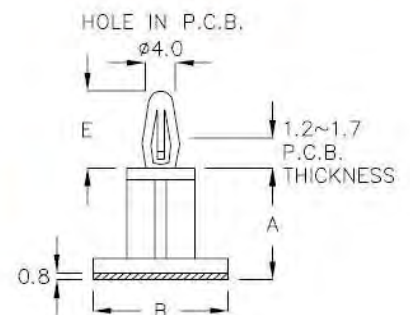
PART NO	A	ADHESIVE AREA	PACKAGE
MSY-2A	2.0	18.0x18.0	500

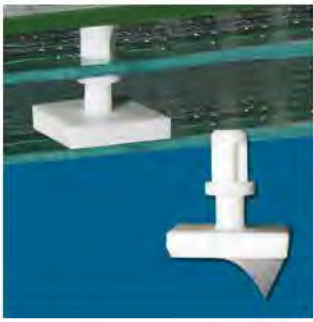


P.C. 板間隔柱 SPACER SUPPORT ———— 3-92-3

- MATERIAL: NYLON 66(UL)
- FLAME CLASS: 94V-2
- COLOR: NATURAL
- ADHESIVE TAPE: 3M

PART NO	A	E	B	ADHESIVE AREA	PACKAGE
MS-6	6.25	10.2	18.0	18.0x18.0	500
MS-8	8.0	9.7	18.0	18.0x18.0	
MS-10	9.5	10.1	18.0	18.0x18.0	
MS-11A	11.5	4.9	18.0	18.0x18.0	
MS-12	12.6	10.0	18.0	18.0x18.0	
MS-16A	16.4	10.0	19.9	19.9x19.9	
MS-19	19.3	10.2	18.0	18.0x18.0	200
MS-22	22.2	9.6	18.0	18.0x18.0	

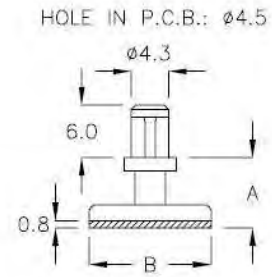




P.C. 板間隔柱 SPACER SUPPORT 3-93-1

- MATERIAL: NYLON 66(UL)
- FLAME CLASS: 94V-2
- COLOR: NATURAL
- ADHESIVE TAPE: 3M

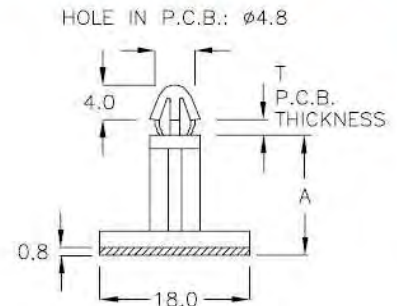
PART NO	A	B	ADHESIVE AREA	PACKAGE
MSH-8RL	8.0	14.0	14.0x14.0	500



P.C. 板間隔柱 SPACER SUPPORT 3-93-2

- MATERIAL: NYLON 66(UL)
- FLAME CLASS: 94V-2
- COLOR: NATURAL
- ADHESIVE TAPE: 3M

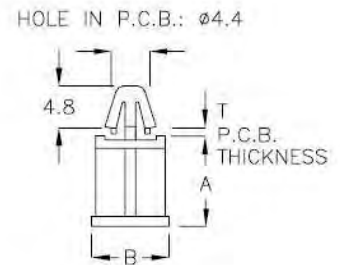
PART NO	A	ADHESIVE AREA	T P.C.B. THICKNESS	PACKAGE
MSD-15	14.2	18.0x18.0	1.2~1.6	500



P.C. 板間隔柱 SPACER SUPPORT 3-93-3

- MATERIAL: NYLON 66(UL)
- FLAME CLASS: 94V-2
- COLOR: NATURAL

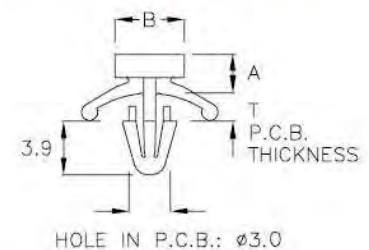
PART NO	A	B	T P.C.B. THICKNESS	PACKAGE
TCT-10A	10.8	ø9.0	0.6~0.8	1000



P.C. 板間隔柱 SPACER SUPPORT 3-93-4

- MATERIAL: NYLON 66(UL)
- FLAME CLASS: 94V-2
- COLOR: NATURAL

PART NO	A	B	T P.C.B. THICKNESS	PACKAGE
LSJ-2A	2.8	ø5.0	0.8~1.4	1000

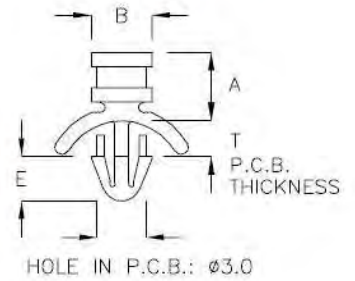




P.C. 板間隔柱 SPACER SUPPORT 3-94-1

- MATERIAL: NYLON 66(UL)
- FLAME CLASS: 94V-2
- COLOR: NATURAL

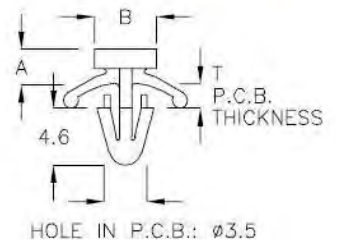
PART NO	A	B	E	T P.C.B. THICKNESS	PACKAGE
LSF-05	5.15	∅4.3	3.15	0.8~1.6	2000
LSF-8KM	8.25	∅4.5	3.2	0.8~2.0	



P.C. 板間隔柱 SPACER SUPPORT 3-94-2

- MATERIAL: NYLON 66(UL)
- FLAME CLASS: 94V-2
- COLOR: NATURAL

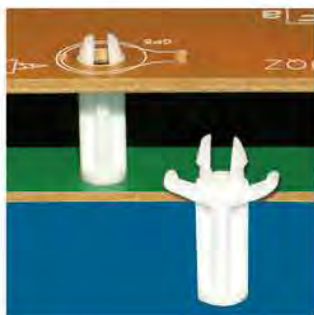
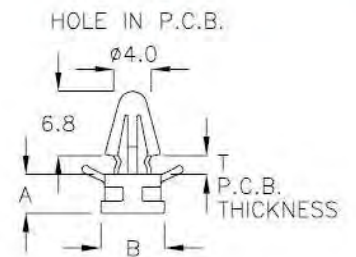
PART NO	A	B	T P.C.B. THICKNESS	PACKAGE
LSH-2A	2.7	∅5.0	0.8~1.6	1000
LSH-2DH	1.8	∅5.0	0.8~1.6	



P.C. 板間隔柱 SPACER SUPPORT 3-94-3

- MATERIAL: NYLON 66(UL)
- FLAME CLASS: 94V-2
- COLOR: NATURAL

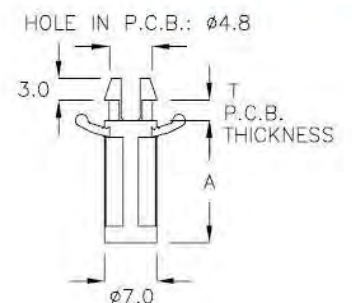
PART NO	A	B	T CHASSIS THICKNESS	PACKAGE
TCBK-4A	4.1	∅6.8	1.2~1.6	1000



P.C. 板間隔柱 SPACER SUPPORT 3-94-4

- MATERIAL: NYLON 66(UL)
- FLAME CLASS: 94V-2
- COLOR: NATURAL

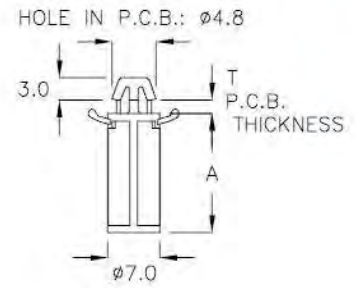
PART NO	A	T P.C.B. THICKNESS	PACKAGE
TCG-09	9.0	1.4~1.6	1000
TCG-16	16.0	1.4~1.6	





P.C. 板間隔柱 SPACER SUPPORT ———— | **3-95-1** |

- MATERIAL: NYLON 66(UL)
- FLAME CLASS: 94V-2
- COLOR: NATURAL

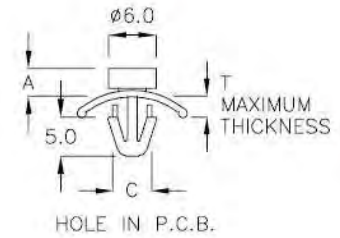


PART NO	A	T P.C.B. THICKNESS	PACKAGE
TBK-14A	14.7	1.4~1.6	500
TBK-16F	16.0	1.4~1.6	1000
TBK-20	20.0	1.4~1.6	500
TBK-22	22.0	1.4~1.6	
TBK-34	34.0	1.4~1.6	



P.C. 板間隔柱 SPACER SUPPORT ———— | **3-95-2** |

- MATERIAL: NYLON 66(UL)
- FLAME CLASS: 94V-2
- COLOR: NATURAL

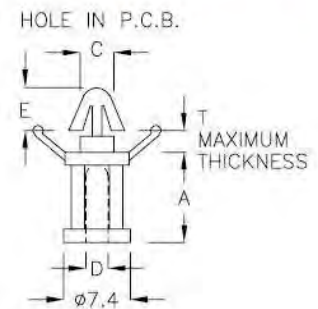


PART NO	A	C	T MAXIMUM THICKNESS	PACKAGE
LSC-3A	3.8	$\phi 4.8 \sim 5.0$	2.1	1000
LSC-3C	3.7	$\phi 4.0$	2.1	



P.C. 板間隔柱 SPACER SUPPORT ———— | **3-95-3** |

- MATERIAL: NYLON 66(UL)
- FLAME CLASS: 94V-2
- COLOR: NATURAL



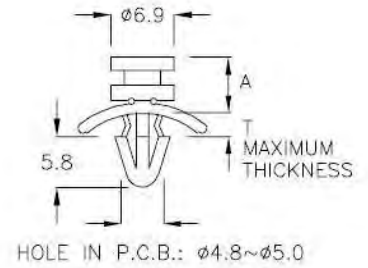
PART NO	A	C	T MAXIMUM THICKNESS	D TAPPING SCREW	E	PACKAGE
LSC-5	4.8	$\phi 4.8 \sim \phi 5.0$	2.0	M3	5.6	1000
LSC-10	9.4	$\phi 4.8 \sim \phi 5.0$	2.0	M3	5.6	
LSC-12	12.7	$\phi 4.8 \sim \phi 5.0$	2.0	M3	5.6	
LSC-15A	15.9	$\phi 4.5 \sim \phi 4.6$	2.0	M3	5.6	500
LSC-19	19.1	$\phi 4.5 \sim \phi 4.6$	2.0	M3	5.6	



P.C. 板間隔柱 SPACER SUPPORT | 3-96-1 |

- MATERIAL: NYLON 66(UL)
- FLAME CLASS: 94V-2
- COLOR: NATURAL

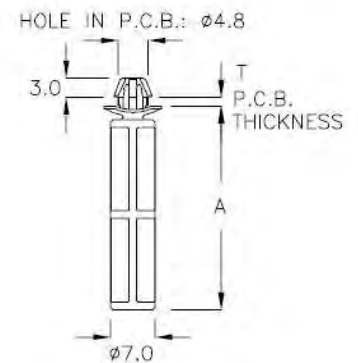
PART NO	A	T MAXIMUM THICKNESS	PACKAGE
LSC-6	6.35	2.0	1000



P.C. 板間隔柱 SPACER SUPPORT | 3-96-2 |

- MATERIAL: NYLON 66(UL)
- FLAME CLASS: 94V-2
- COLOR: NATURAL

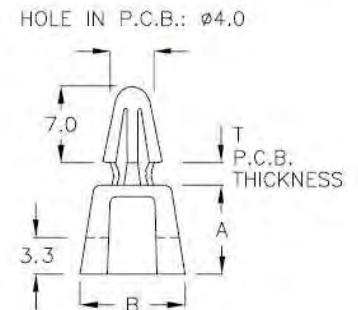
PART NO	A	T P.C.B. THICKNESS	PACKAGE
TBW-36A	36.2	1.6	500



P.C. 板間隔柱 SPACER SUPPORT | 3-96-3 |

- MATERIAL: NYLON 66(UL)
- FLAME CLASS: 94V-2
- COLOR: NATURAL

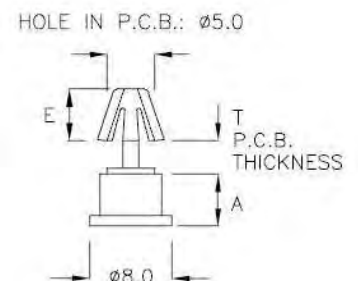
PART NO	A	B	T P.C.B. THICKNESS	PACKAGE
TCP-08	7.9	9.5	1.3~1.6	500



P.C. 板間隔柱 SPACER SUPPORT | 3-96-4 |

- MATERIAL: NYLON 66(UL)
- FLAME CLASS: 94V-2
- COLOR: NATURAL

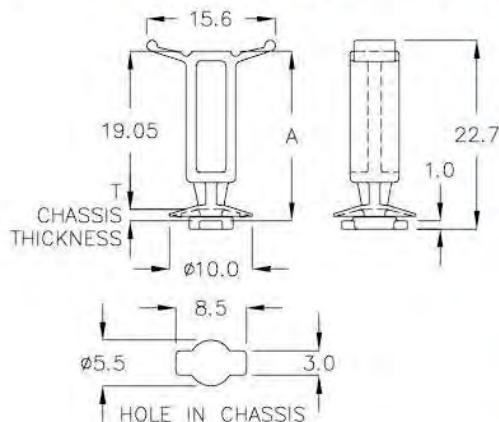
PART NO	A	T P.C.B. THICKNESS	E	PACKAGE
MA-005	5.0	2.8~3.0	5.1	1000
MA-012	12.0	2.8~3.0	5.0	500
MA-014	14.0	2.8~3.0	5.0	





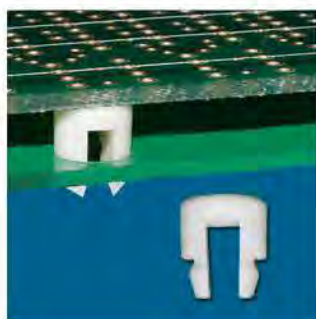
P.C. 板間隔柱 SPACER SUPPORT 3-97-1

- MATERIAL: NYLON 66(UL)
- FLAME CLASS: 94V-2
- COLOR: NATURAL



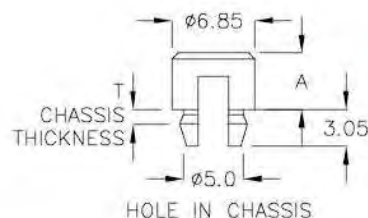
INSERT WITH 90 DEGREE ANGLE AND PRESS DOWN

PART NO	A	T CHASSIS THICKNESS	PACKAGE
KPD-24A	20.4	1.0	1000



P.C. 板間隔柱 SPACER SUPPORT 3-97-2

- MATERIAL: NYLON 66(UL)
- FLAME CLASS: 94V-2
- COLOR: NATURAL

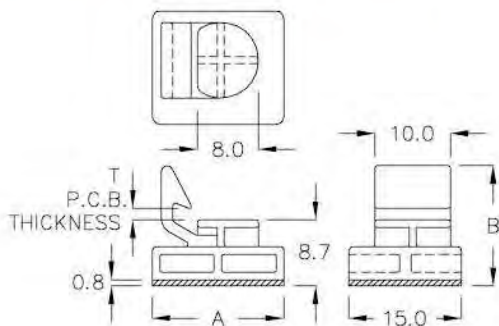


PART NO	A	T CHASSIS THICKNESS	PACKAGE
MHG-05	4.65	0.6~0.8	1000

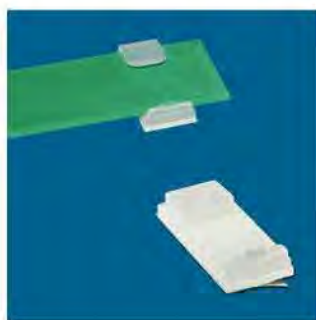


P.C. 板間隔柱 SPACER SUPPORT 3-97-3

- MATERIAL: NYLON 66(UL)
- FLAME CLASS: 94V-2
- COLOR: BLACK
- ADHESIVE TAPE: 3M

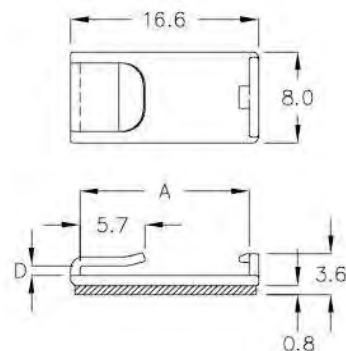


PART NO	A	B	T P.C.B. THICKNESS	PACKAGE
LSS-8K	17.5	15.9	1.8	500



P.C. 板間隔柱 SPACER SUPPORT 3-97-4

- MATERIAL: NYLON 66(UL)
- FLAME CLASS: 94V-2
- COLOR: NATURAL
- ADHESIVE TAPE: 3M

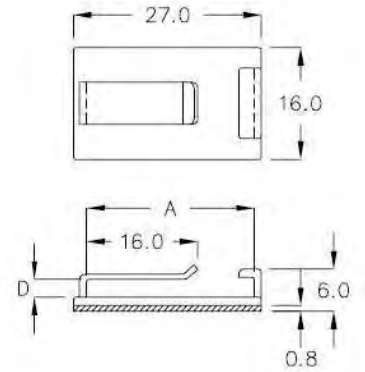


PART NO	A	D	PACKAGE
FKD-16Y	15.0	0.8	1000



P.C. 板間隔柱 SPACER SUPPORT 3-98-1

- MATERIAL: NYLON 66(UL)
- FLAME CLASS: 94V-2
- COLOR: NATURAL
- ADHESIVE TAPE: 3M

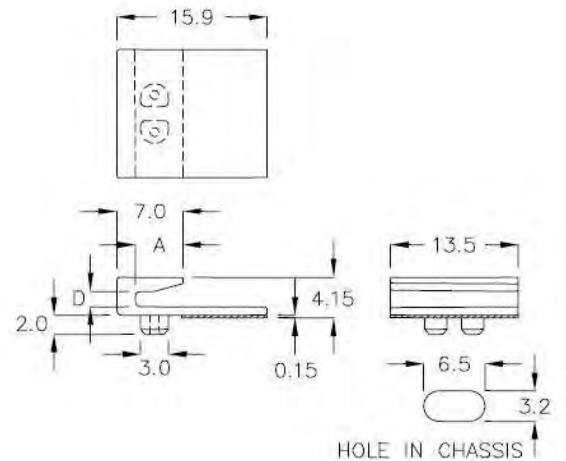


PART NO	A	D	PACKAGE
FKM-27JC	23.8	2.4	200

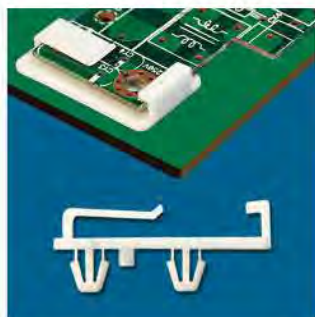


P.C. 板間隔柱 SPACER SUPPORT 3-98-2

- MATERIAL: PC(UL)
- FLAME CLASS: 94V-2
- COLOR: BLACK
- ADHESIVE TAPE: 3M

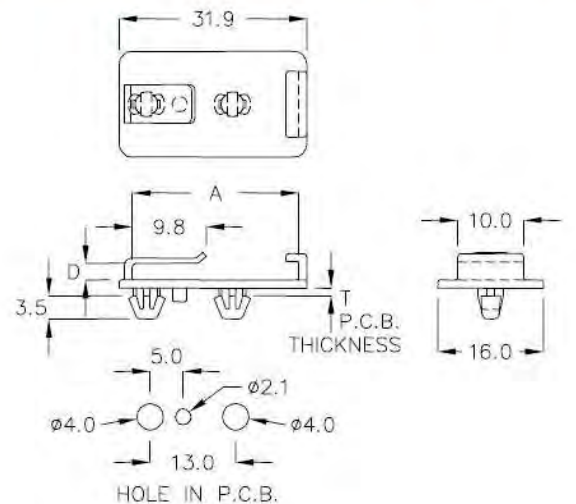


PART NO	A	D	PACKAGE
MWF-13C	5.0	1.6	1000

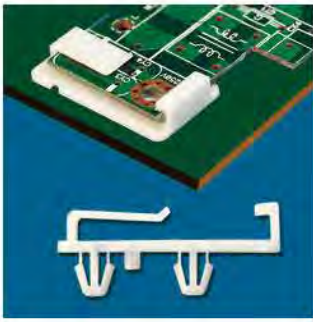


P.C. 板間隔柱 SPACER SUPPORT 3-98-3

- MATERIAL: NYLON 66(UL)
- FLAME CLASS: 94V-2
- COLOR: NATURAL

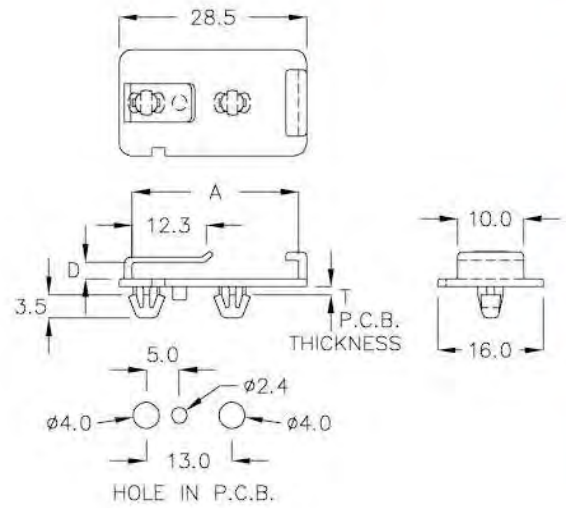


PART NO	A	D	T P.C.B. THICKNESS	PACKAGE
FKC-31AP	28.7	1.7	0.5~0.8	200
FKC-31Y	28.7	2.5	0.6~0.8	

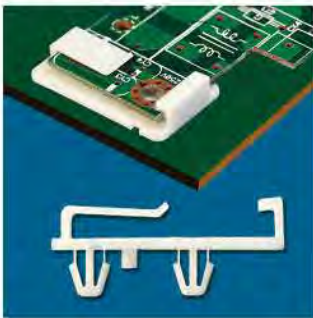


P.C. 板間隔柱 SPACER SUPPORT 3-99-1

- MATERIAL: NYLON 66(UL)
- FLAME CLASS: 94V-2
- COLOR: NATURAL

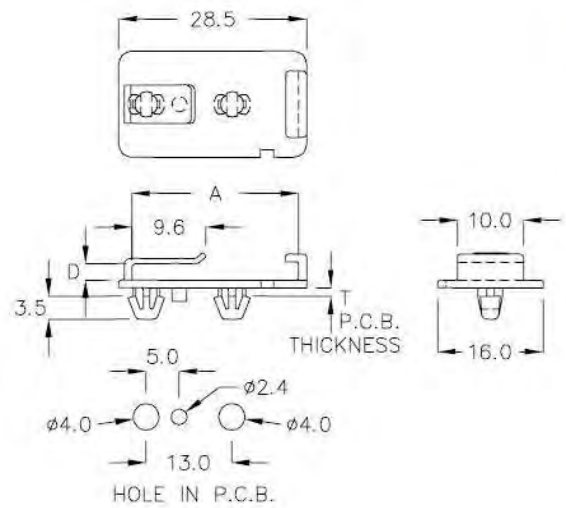


PART NO	A	D	T P.C.B. THICKNESS	PACKAGE
FKC-28AS	25.3	2.5	0.6~0.8	200



P.C. 板間隔柱 SPACER SUPPORT 3-99-2

- MATERIAL: NYLON 66(UL)
- FLAME CLASS: 94V-2
- COLOR: NATURAL

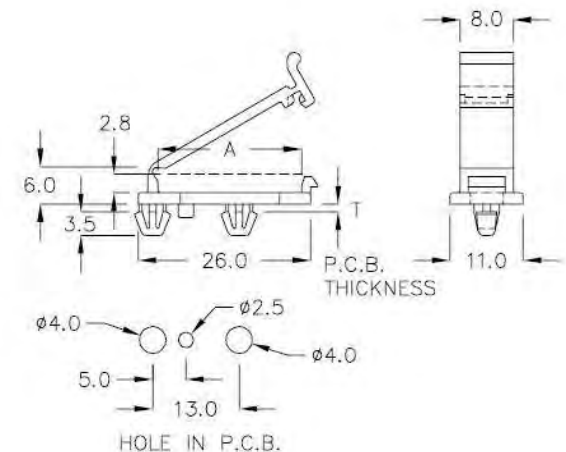


PART NO	A	D	T P.C.B. THICKNESS	PACKAGE
FKC-28PQ	25.3	2.5	0.6~0.8	200



P.C. 板間隔柱 SPACER SUPPORT 3-99-3

- MATERIAL: NYLON 66(UL)
- FLAME CLASS: 94V-2
- COLOR: BLACK



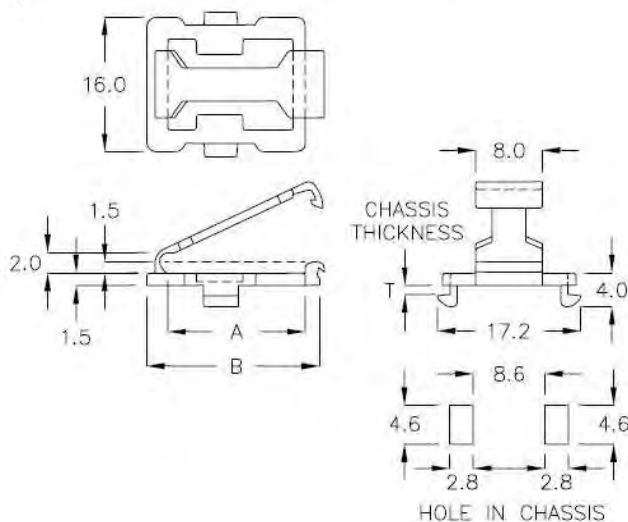
WITH LOCK FEATURE

PART NO	A	T P.C.B. THICKNESS	PACKAGE
CYF-21	21.6	0.6~0.8	100



P.C. 板間隔柱 SPACER SUPPORT | 3-100-1 |

- MATERIAL: NYLON 66(UL)
- FLAME CLASS: 94V-2
- COLOR: BLACK



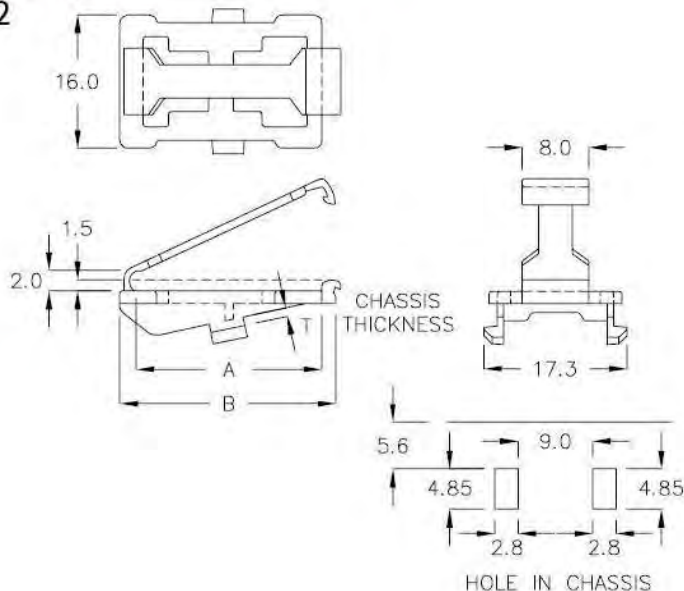
WITH LOCK FEATURE

PART NO	A	B	T CHASSIS THICKNESS	PACKAGE
★ CYFJ-15T	15.2	21.4	0.8~1.0	200
CYFJ-16A	16.5	20.7	0.8~1.0	



P.C. 板間隔柱 SPACER SUPPORT | 3-100-2 |

- MATERIAL: NYLON 66(UL)
- FLAME CLASS: 94V-2
- COLOR: BLACK



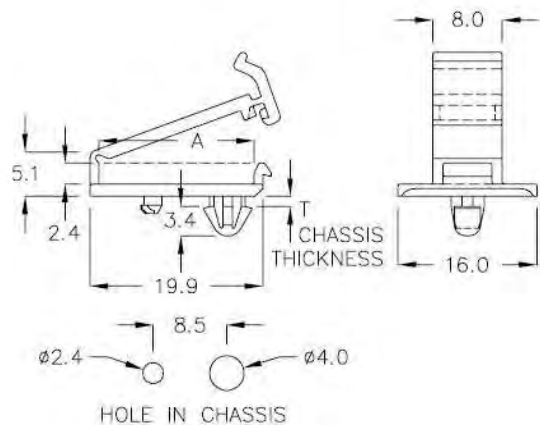
WITH LOCK FEATURE

PART NO	A	B	T CHASSIS THICKNESS	PACKAGE
★ CYFQ-22	22.4	26.1	0.8~1.0	100



P.C. 板間隔柱 SPACER SUPPORT | 3-100-3 |

- MATERIAL: NYLON 66(UL)
- FLAME CLASS: 94V-2
- COLOR: NATURAL



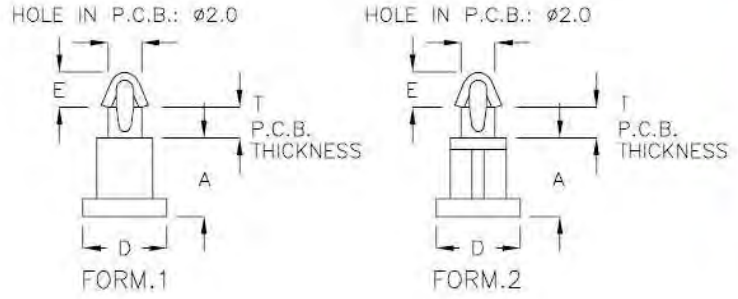
WITH LOCK FEATURE

PART NO	A	T CHASSIS THICKNESS	PACKAGE
CYFG-17A	17.9	0.6~0.8	200



P.C. 板間隔柱 SPACER SUPPORT 3-61-1

- MATERIAL: NYLON 66(UL)
- FLAME CLASS: 94V-2
- COLOR: NATURAL



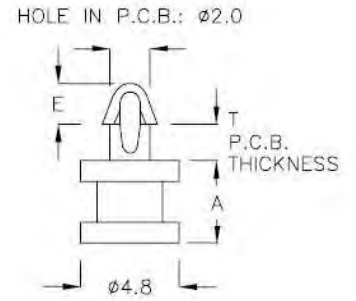
PART NO	A	D	T P.C.B. THICKNESS	E	FORM	PACKAGE
PCE-1A	1.5	∅4.8	1.4~1.6	2.0	1	2000
PCE-1C	1.8	∅4.2	1.4~1.6	2.0	1	
PCE-02	2.0	∅4.2	1.4~1.6	2.3	1	
PCE-2A	2.5	∅4.8	1.4~1.6	2.0	1	
PCE-2C	2.0	∅4.8	1.8~2.0	2.0	1	
PCE-2D	2.9	∅4.2	1.4~1.6	2.3	1	
PCE-2F	2.0	∅4.2	0.8~1.0	2.0	1	
PCE-2H	2.2	∅4.2	1.0~1.2	2.0	1	
PCE-2K	1.8	∅4.2	1.0~1.2	2.0	1	
PCE-2XC	2.15	∅4.2	1.4~1.6	2.0	1	
PCE-03	3.0	∅4.2	1.4~1.6	2.0	1	
PCE-3A	2.6	∅4.1	1.4~1.6	2.0	1	
PCE-3DF	3.2	∅4.8	1.4~1.6	2.1	1	
PCE-3K	3.5	∅4.8	1.4~1.6	2.0	1	
PCE-3PW	3.85	∅6.0	1.4~1.6	2.0	1	
PCE-3RY	3.75	∅4.8	1.4~1.6	2.0	1	
PCE-4A	4.0	∅4.8	1.4~1.6	2.1	1	
PCE-4F	4.7	∅4.8	1.4~1.6	2.0	1	
PCE-4M	4.5	∅4.8	1.4~1.6	2.0	1	
PCE-05	5.0	∅4.8	1.4~1.6	2.0	1	
PCE-5JD	5.0	∅4.8	1.0~1.2	2.0	1	
PCE-5QR	5.0	∅6.0	1.4~1.6	2.0	2	
PCE-5TS	5.3	∅4.8	0.8~1.0	2.3	1	
PCE-5K	5.6	∅4.8	1.4~1.6	2.0	1	
PCE-06	6.0	∅4.8	1.4~1.6	2.1	1	
PCE-6A	6.5	∅4.8	1.4~1.6	2.2	1	
PCE-6C	6.5	∅4.8	1.4~1.6	2.0	1	
PCE-6NS	6.5	∅6.0	1.4~1.6	2.0	2	
PCE-07	7.0	∅4.2	1.0~1.2	2.0	1	
PCE-08	8.0	∅4.8	1.4~1.6	3.0	1	
PCE-09	9.0	∅5.0	1.4~1.6	2.0	1	



P.C. 板間隔柱 SPACER SUPPORT ———— 3-62-1

- MATERIAL: NYLON 66(UL)
- FLAME CLASS: 94V-2
- COLOR: NATURAL

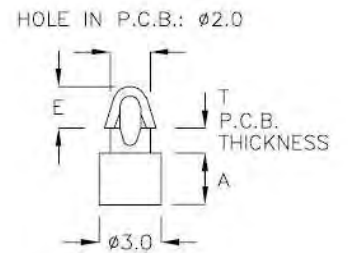
PART NO	A	T P.C.B. THICKNESS	E	PACKAGE
PCE-4D	4.0	1.4~1.6	2.1	2000



P.C. 板間隔柱 SPACER SUPPORT ———— 3-62-2

- MATERIAL: NYLON 66(UL)
- FLAME CLASS: 94V-2
- COLOR: NATURAL

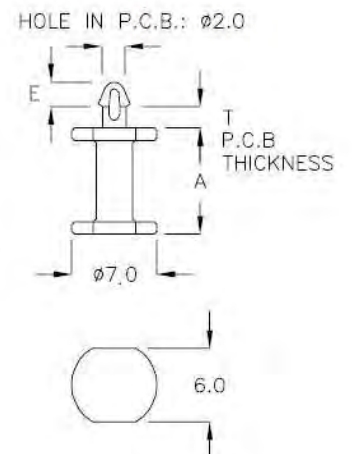
PART NO	A	T P.C.B. THICKNESS	E	PACKAGE
PCR-2C	2.5	0.8~1.0	2.0	2000
PCR-03	3.0	0.8~1.0	2.0	
PCR-3M	3.5	0.8~1.0	2.0	
PCR-04	4.0	0.8~1.0	2.0	
PCR-4M	4.5	0.8~1.0	2.0	



P.C. 板間隔柱 SPACER SUPPORT ———— 3-62-3

- MATERIAL: NYLON 66(UL)
- FLAME CLASS: 94V-2
- COLOR: NATURAL

PART NO	A	T P.C.B. THICKNESS	E	PACKAGE
PCE-8MR	8.0	1.4~1.6	2.0	2000
PCE-10F	10.5	1.4~1.6	2.0	
PCE-11	11.0	1.4~1.6	2.0	

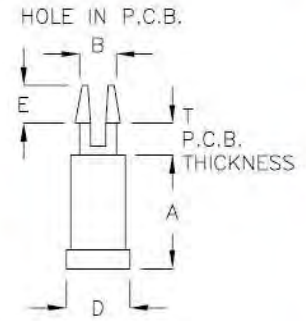




P.C. 板間隔柱 SPACER SUPPORT 3-63-1

- MATERIAL: NYLON 66(UL)
- FLAME CLASS: 94V-2
- COLOR: NATURAL

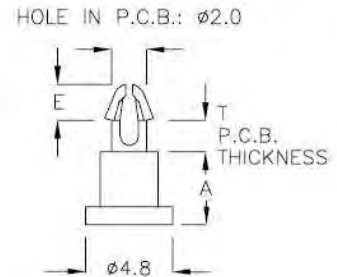
PART NO	A	B HOLE IN P.C.B.	D	E	T P.C.B. THICKNESS	PACKAGE
PCA-3	3.0	∅2.0	∅3.4	2.6	0.8~1.0	2000
PCA-3C	3.0	∅2.0	∅3.4	2.6	1.0~1.2	
PCA-4	4.0	∅1.5	∅3.0	2.0	1.4~1.6	
PCA-4A	4.0	∅2.0	∅3.5	2.0	1.4~1.6	
PCA-4C	4.7	∅2.0	∅4.8	2.6	1.4~1.6	
PCA-5	5.0	∅2.0	∅3.5	2.0	1.4~1.6	



P.C. 板間隔柱 SPACER SUPPORT 3-63-2

- MATERIAL: NYLON 66(UL)
- FLAME CLASS: 94V-2
- COLOR: NATURAL, BLACK

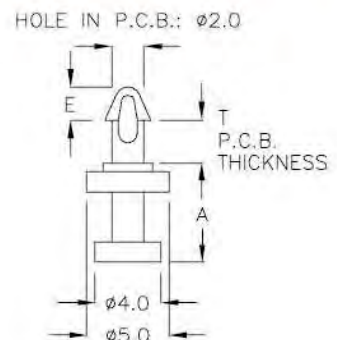
PART NO	A	T P.C.B. THICKNESS	E	PACKAGE
PCC-03	3.0	1.4~1.6	2.0	2000
PCC-04	4.0	1.4~1.6	2.0	
PCC-05	5.0	1.4~1.6	2.0	



P.C. 板間隔柱 SPACER SUPPORT 3-63-3

- MATERIAL: NYLON 66(UL)
- FLAME CLASS: 94V-2
- COLOR: NATURAL

PART NO	A	T P.C.B. THICKNESS	E	PACKAGE
PCY-06	5.9	2.2~2.4	2.0	2000

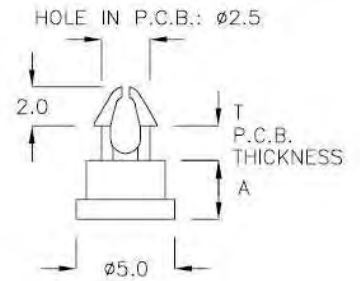




P.C. 板間隔柱 SPACER SUPPORT 3-64-1

- MATERIAL: NYLON 66(UL)
- FLAME CLASS: 94V-2
- COLOR: NATURAL

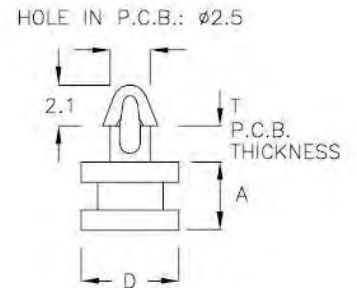
PART NO	A	T P.C.B. THICKNESS	PACKAGE
PHA-2T	2.95	1.4~1.6	2000



P.C. 板間隔柱 SPACER SUPPORT 3-64-2

- MATERIAL: NYLON 66(UL)
- FLAME CLASS: 94V-2
- COLOR: NATURAL

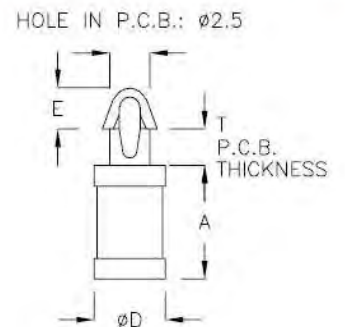
PART NO	A	D	T P.C.B. THICKNESS	PACKAGE
PCK-4C	4.1	∅5.5	1.8~2.0	2000
PCK-4G	4.0	∅4.4	0.8~1.0	



P.C. 板間隔柱 SPACER SUPPORT 3-64-3

- MATERIAL: NYLON 66(UL)
- FLAME CLASS: 94V-2
- COLOR: NATURAL

PART NO	A	D	T P.C.B. THICKNESS	E	PACKAGE
PCK-1MF	1.6	3.5	0.8~1.0	2.0	2000
PCK-2M	2.5	3.5	0.8~1.0	2.0	
PCK-3M	3.5	4.4	0.8~1.0	2.0	
PCK-4M	4.5	4.4	0.8~1.0	2.0	
PCK-05	5.0	4.4	0.8~1.0	2.0	
PCK-5A	5.6	4.4	0.8~1.0	2.4	
PCK-7A	7.0	4.4	1.4~1.6	2.4	
PCK-7C	7.5	4.4	0.8~1.0	2.3	
PCK-8A	8.0	4.4	1.4~1.6	2.2	
PCK-9A	8.9	4.4	1.4~1.6	2.2	

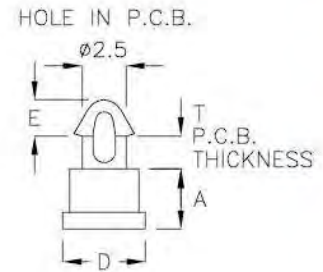




P.C. 板間隔柱 SPACER SUPPORT 3-65-1

- MATERIAL: NYLON 66(UL)
- FLAME CLASS: 94V-2
- COLOR: NATURAL

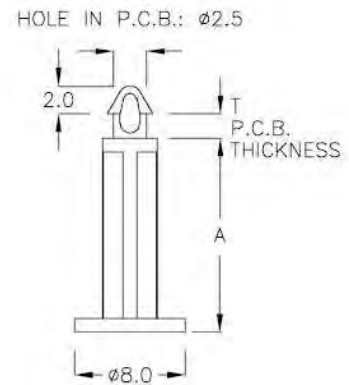
PART NO	A	D	T CHASSIS THICKNESS	E	PACKAGE
PCK-1TF	1.5	∅4.5	0.8~1.0	2.0	2000
PCK-1A	1.5	∅4.5	1.4~1.6	2.1	
PCK-2A	2.5	∅4.5	1.4~1.6	2.0	
PCK-2C	2.7	∅6.0	1.4~1.6	2.2	
PCK-2D	2.8	∅5.0	1.4~1.6	2.0	
PCK-2F	2.8	∅5.0	1.5~1.7	2.0	
PCK-2J	2.95	∅5.0	1.4~1.6	2.0	
PCK-3A	3.5	∅4.5	1.4~1.6	2.0	
PCK-04	4.0	∅4.5	1.4~1.6	1.8	
PCK-4A	4.5	∅4.5	1.4~1.6	2.0	
PCK-4F	4.0	∅5.0	1.4~1.6	2.0	
PCK-5K	5.0	∅3.6	1.9~2.1	2.0	
PCK-5RH	5.0	∅4.5	1.4~1.6	1.6	
PCK-06	6.0	∅4.5	1.6~1.8	1.5	



P.C. 板間隔柱 SPACER SUPPORT 3-65-2

- MATERIAL: NYLON 66(UL)
- FLAME CLASS: 94V-2
- COLOR: NATURAL

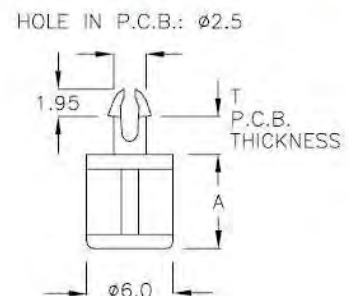
PART NO	A	T P.C.B. THICKNESS	PACKAGE
PCK-14	14.0	1.4~1.6	2000
PCK-15	15.0	1.4~1.6	



P.C. 板間隔柱 SPACER SUPPORT 3-65-3

- MATERIAL: NYLON 66(UL)
- FLAME CLASS: 94V-2
- COLOR: NATURAL

PART NO	A	T P.C.B. THICKNESS	PACKAGE
PCK-6C	6.5	2.2~2.45	2000

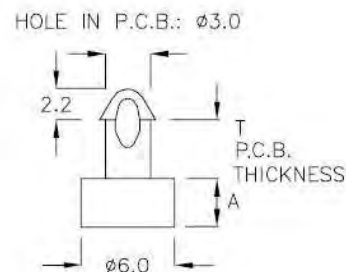




P.C. 板間隔柱 SPACER SUPPORT 3-66-1

- MATERIAL: NYLON 66(UL)
- FLAME CLASS: 94V-2
- COLOR: NATURAL

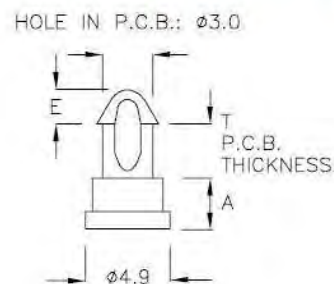
PART NO	A	T P.C.B. THICKNESS	PACKAGE
PCS-2A	3.1	3.3 ~ 3.5	2000



P.C. 板間隔柱 SPACER SUPPORT 3-66-2

- MATERIAL: NYLON 66(UL)
- FLAME CLASS: 94V-2
- COLOR: NATURAL

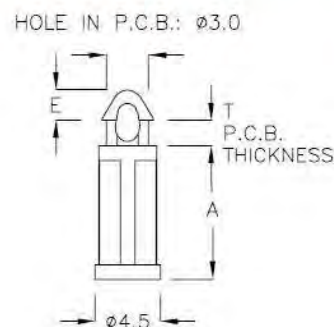
PART NO	A	T P.C.B. THICKNESS	E	PACKAGE
PCJ-3S	2.9	2.6 ~ 2.85	2.0	2000
PCJ-3T	3.5	2.3 ~ 2.5	2.0	
PCJ-3M	3.5	3.3 ~ 3.5	2.1	
PCJ-4A	3.85	3.4 ~ 3.65	2.2	
PCJ-4M	4.5	2.3 ~ 2.5	2.1	



P.C. 板間隔柱 SPACER SUPPORT 3-66-3

- MATERIAL: NYLON 66(UL)
- FLAME CLASS: 94V-2
- COLOR: NATURAL

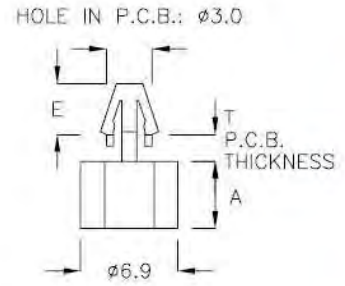
PART NO	A	T P.C.B. THICKNESS	E	PACKAGE
PCJ-9FQ	9.5	0.8 ~ 1.0	2.0	2000
PCJ-33A	33.7	1.4 ~ 1.6	2.1	500





P.C. 板間隔柱 SPACER SUPPORT 3-67-1

- MATERIAL: NYLON 66(UL)
- FLAME CLASS: 94V-2
- COLOR: NATURAL

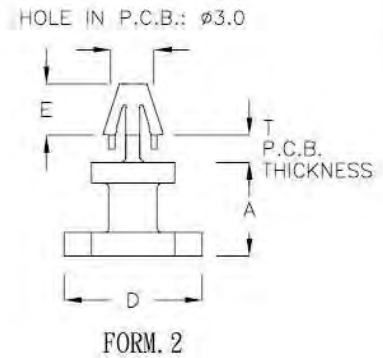
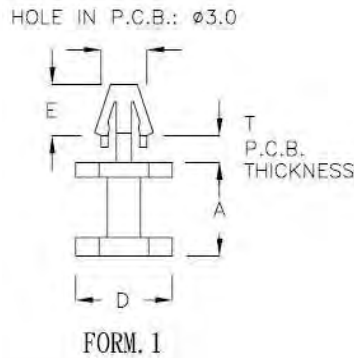


PART NO	A	T P.C.B. THICKNESS	E	PACKAGE
DCBS-2	2.0	1.2~1.7	3.8	2000
DCBS-2A	2.5	1.2~1.7	3.8	
DCBS-3	3.0	1.2~1.7	3.7	
DCBS-3A	3.3	1.2~1.7	3.7	
DCBS-3M	3.5	1.2~1.7	3.7	



P.C. 板間隔柱 SPACER SUPPORT 3-67-2

- MATERIAL: NYLON 66(UL)
- FLAME CLASS: 94V-2
- COLOR: NATURAL

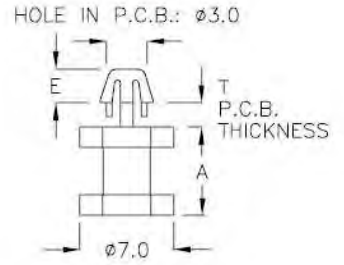


PART NO	A	D	T P.C.B. THICKNESS	E	FORM	PACKAGE
DCBS-4	4.0	$\phi 7.0$	1.2~1.6	3.8	1	2000
DCBS-4C	4.0	$\phi 6.0$	1.2~1.6	3.7	1	
DCBS-4M	4.5	$\phi 7.0$	1.2~1.6	3.8	1	
DCBS-5	5.0	$\phi 7.0$	1.2~1.6	3.8	1	
DCBS-5M	5.5	$\phi 7.0$	1.2~1.6	3.8	1	
DCBS-6	6.0	$\phi 7.0$	1.2~1.6	3.8	1	
DCBS-7	7.0	$\phi 7.0$	1.2~1.6	3.7	1	
DCBS-8	8.0	$\phi 7.0$	1.2~1.6	3.8	1	
DCBS-8A	8.0	$\phi 6.8$	1.2~1.6	4.3	1	
DCBS-8C	8.0	$\phi 7.0$	2.0~2.2	3.3	1	
DCBS-8M	8.5	$\phi 7.0$	1.2~1.6	3.7	1	
DCBS-9	9.0	$\phi 7.0$	1.2~1.6	3.8	1	
DCBS-10	10.0	$\phi 7.0$	1.2~1.6	3.8	1	
DCBS-10A	10.5	$\phi 7.0$	1.2~1.6	3.9	1	
DCBS-11	11.0	$\phi 7.0$	1.2~1.6	3.8	1	
DCBS-12	12.0	$\phi 7.0$	1.2~1.6	3.8	1	1000
DCBS-13	13.0	$\phi 7.0$	1.2~1.6	3.8	1	
DCBS-14	14.0	$\phi 4.8$	1.2~1.6	3.8	1	
DCBS-15	15.0	$\phi 7.0$	1.2~1.6	3.8	1	
DCBS-16KH	16.0	$\phi 10.0$	1.2~1.6	3.7	2	



P.C. 板間隔柱 SPACER SUPPORT 3-68-1

- MATERIAL: NYLON 66(UL)
- FLAME CLASS: 94V-2
- COLOR: NATURAL

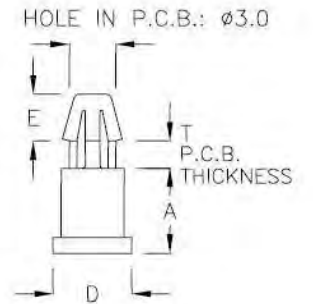


PART NO	A	T P.C.B. THICKNESS	E	PACKAGE
DCBS-6A	6.5	1.4~1.6	2.5	2000



P.C. 板間隔柱 SPACER SUPPORT 3-68-2

- MATERIAL: NYLON 66(UL)
- FLAME CLASS: 94V-2
- COLOR: NATURAL

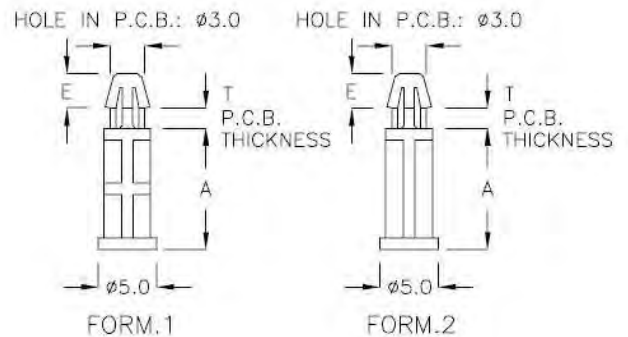


PART NO	A	T P.C.B. THICKNESS	E	D	PACKAGE
PCF-2A	2.5	1.4~1.6	2.95	$\phi 5.0$	2000
PCF-2C	2.8	1.4~1.6	2.95	$\phi 5.0$	
PCF-03	3.0	1.4~1.6	3.1	$\phi 5.0$	
PCF-3A	3.2	1.4~1.6	3.1	$\phi 5.0$	
PCF-3C	3.0	1.4~1.6	2.95	$\phi 6.0$	
PCF-3M	3.5	1.4~1.6	3.0	$\phi 5.0$	
PCF-04	4.0	1.4~1.6	3.0	$\phi 5.0$	
PCF-4A	4.5	1.4~1.6	2.95	$\phi 5.0$	
PCF-05	5.0	1.4~1.6	3.0	$\phi 5.0$	
PCF-5A	5.0	1.4~1.6	3.1	$\phi 9.0$	
PCF-09	9.0	1.4~1.6	2.95	$\phi 5.0$	
PCF-9FK	9.4	1.4~1.6	2.9	$\phi 6.0$	



P.C. 板間隔柱 SPACER SUPPORT 3-68-3

- MATERIAL: NYLON 66(UL)
- FLAME CLASS: 94V-2
- COLOR: NATURAL



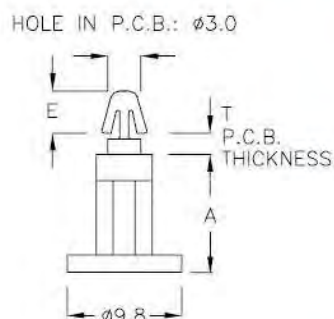
PART NO	A	T P.C.B. THICKNESS	E	FORM	PACKAGE
PCF-9A	9.5	1.6	2.7	2	2000
PCF-10	10.0	1.6	2.7	1	
PCF-20	20.0	1.6	2.7	1	1000
PCF-22	22.0	1.6	2.9	1	
PCF-25	25.0	1.6	2.9	1	



P.C. 板間隔柱 SPACER SUPPORT 3-69-1

- MATERIAL: NYLON 66(UL)
- FLAME CLASS: 94V-2
- COLOR: NATURAL

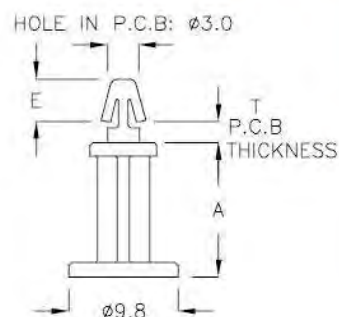
PART NO	A	T P.C.B. THICKNESS	E	PACKAGE
TCF-4A	4.5	1.6~1.7	3.6	2000
TCF-10	10.0	1.6~1.7	3.8	1000



P.C. 板間隔柱 SPACER SUPPORT 3-69-2

- MATERIAL: NYLON 66(UL)
- FLAME CLASS: 94V-2
- COLOR: NATURAL

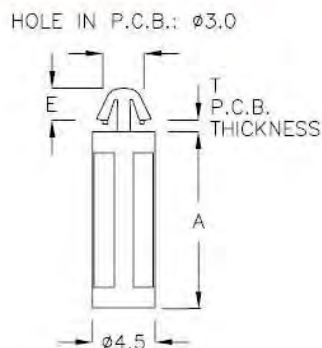
PART NO	A	T P.C.B. THICKNESS	E	PACKAGE
TAX-12D	12.0	1.55~1.65	3.8	1000



P.C. 板間隔柱 SPACER SUPPORT 3-69-3

- MATERIAL: NYLON 66(UL)
- FLAME CLASS: 94V-2
- COLOR: NATURAL

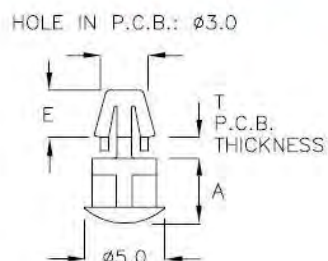
PART NO	A	T P.C.B. THICKNESS	E	PACKAGE
TCW-12A	12.7	0.6	2.3	1000



P.C. 板間隔柱 SPACER SUPPORT 3-69-4

- MATERIAL: NYLON 66(UL)
- FLAME CLASS: 94V-2
- COLOR: NATURAL

PART NO	A	T P.C.B. THICKNESS	E	PACKAGE
PCN-04	4.0	1.0~1.2	2.95	2000

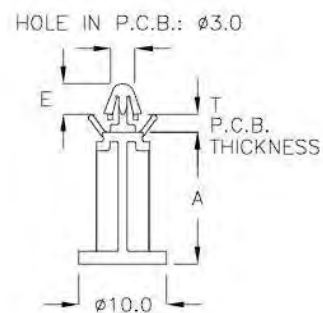




P.C. 板間隔柱 SPACER SUPPORT ———— 3-70-1

- MATERIAL: NYLON 66(UL)
- FLAME CLASS: 94V-2
- COLOR: NATURAL

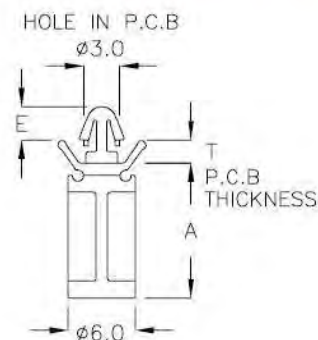
PART NO	A	T P.C.B. THICKNESS	E	PACKAGE
MFR-15	15.0	1.2~1.6	3.5	1000



P.C. 板間隔柱 SPACER SUPPORT ———— 3-70-2

- MATERIAL: NYLON 66(UL)
- FLAME CLASS: 94V-2
- COLOR: NATURAL

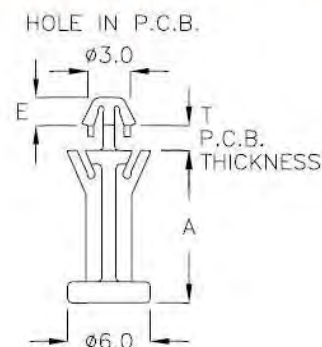
PART NO	A	T P.C.B. THICKNESS	E	PACKAGE
MFD-12	12.0	1.2~1.6	3.0	1000



P.C. 板間隔柱 SPACER SUPPORT ———— 3-70-3

- MATERIAL: NYLON 66(UL)
- FLAME CLASS: 94V-2
- COLOR: BLACK

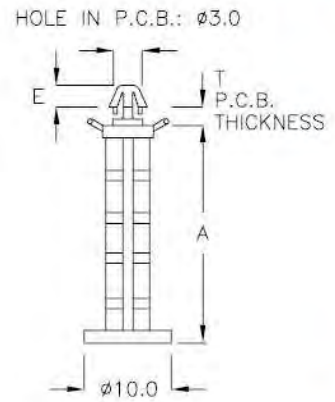
PART NO	A	T CHASSIS THICKNESS	E	PACKAGE
MFRK-11A	11.0	1.4~1.6	2.0	1000





P.C. 板間隔柱 SPACER SUPPORT 3-71-1

- MATERIAL: NYLON 66(UL)
- FLAME CLASS: 94V-2
- COLOR: NATURAL

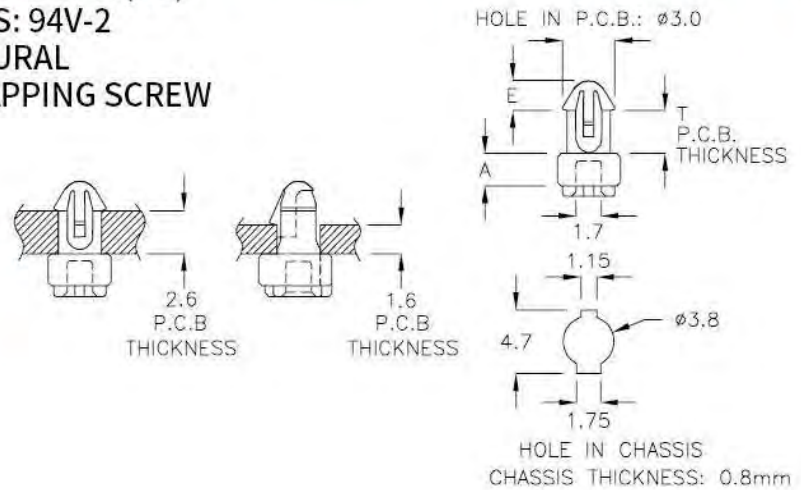


PART NO	A	T P.C.B. THICKNESS	E	PACKAGE
MFC-37KS	37.5	1.4~1.6	2.7	500
MFC-38C	38.4	1.2~1.6	2.7	

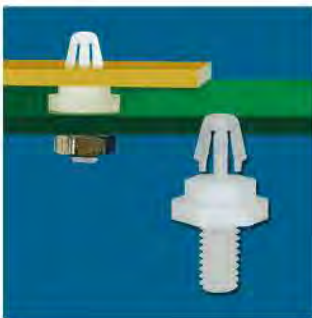


P.C. 板間隔柱 SPACER SUPPORT 3-71-2

- MATERIAL: NYLON 66(UL)
- FLAME CLASS: 94V-2
- COLOR: NATURAL
- USE M2x2 TAPPING SCREW

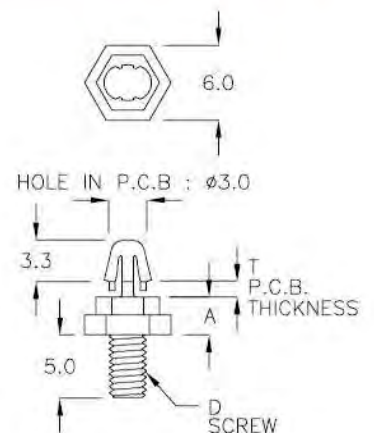


PART NO	A	T P.C.B. THICKNESS	E	PACKAGE
SDF-2C	2.15	1.6	2	2000
		2.6		



P.C. 板間隔柱 SPACER SUPPORT 3-71-3

- MATERIAL: NYLON 66(UL)
- FLAME CLASS: 94V-2
- COLOR: NATURAL



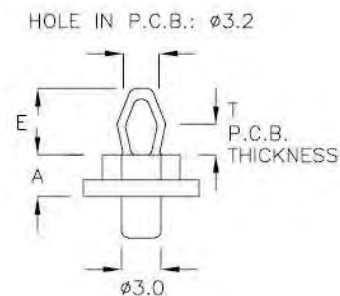
PART NO	A	T P.C.B. THICKNESS	D	PACKAGE
SDM-03	3.0	0.8~1.0	M3	2000
SDM-04	4.0	0.8~1.0	M2.5	



P.C. 板間隔柱 SPACER SUPPORT ———— 3-72-1

- MATERIAL: NYLON 66(UL)
- FLAME CLASS: 94V-2
- COLOR: NATURAL

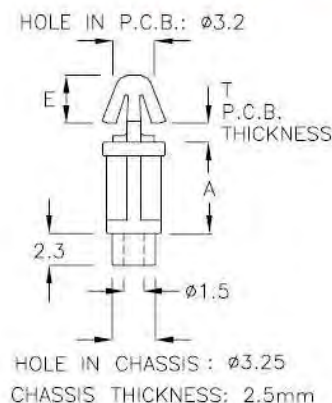
PART NO	A	T P.C.B. THICKNESS	E	PACKAGE
TCQ-03	3.0	1.4~1.6	4.8	1000



P.C. 板間隔柱 SPACER SUPPORT ———— 3-72-2

- MATERIAL: NYLON 66(UL)
- FLAME CLASS: 94V-2
- COLOR: NATURAL
- USE M2 TAPPING SCREW

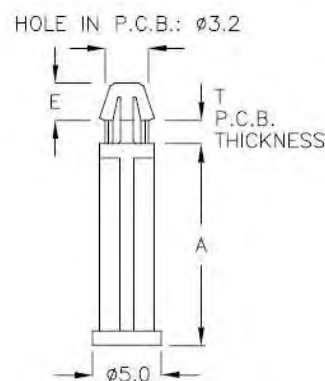
PART NO	A	T P.C.B. THICKNESS	E	PACKAGE
TAK-6A	6.6	1.0~1.2	3.5	2000



P.C. 板間隔柱 SPACER SUPPORT ———— 3-72-3

- MATERIAL: NYLON 66(UL)
- FLAME CLASS: 94V-2
- COLOR: NATURAL

PART NO	A	T P.C.B. THICKNESS	E	PACKAGE
TCH-14A	14.5	1.4~1.6	2.7	1000

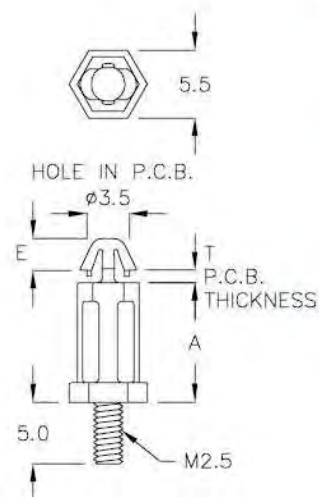




P.C. 板間隔柱 SPACER SUPPORT ———— | 3-73-1 |

- MATERIAL: NYLON 66(UL)
- FLAME CLASS: 94V-0
- COLOR: BLACK

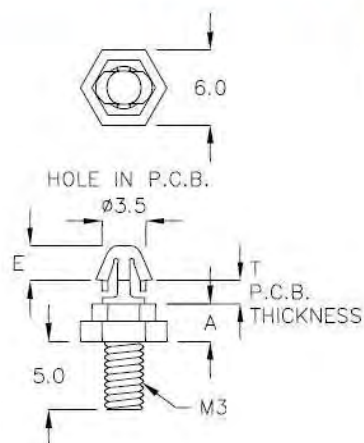
PART NO	A	E	T P.C.B. THICKNESS	PACKAGE
SDN-9AG	9.7	2.6	0.6~0.8	1000



P.C. 板間隔柱 SPACER SUPPORT ———— | 3-73-2 |

- MATERIAL: NYLON 66(UL)
- FLAME CLASS: 94V-2
- COLOR: NATURAL

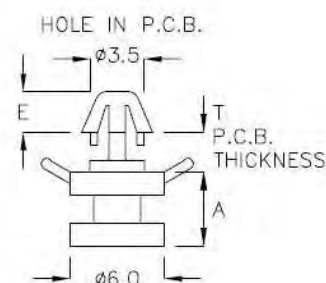
PART NO	A	E	T P.C.B. THICKNESS	PACKAGE
SDC-3TH	3.0	2.75	1.2~1.6	2000



P.C. 板間隔柱 SPACER SUPPORT ———— | 3-73-3 |

- MATERIAL: NYLON 66(UL)
- FLAME CLASS: 94V-2
- COLOR: NATURAL

PART NO	A	E	T P.C.B. THICKNESS	PACKAGE
MF-04A	4.55	2.5	1.6~2.0	2000

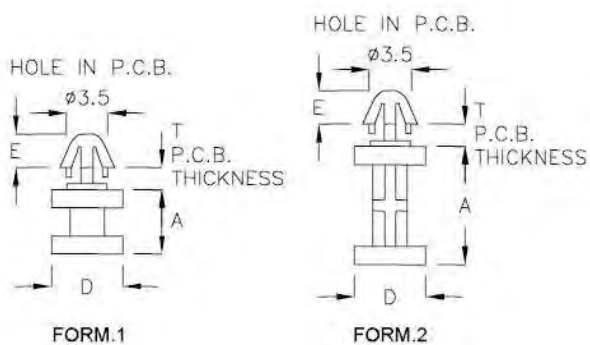




P.C. 板間隔柱 SPACER SUPPORT 3-74-1

- MATERIAL: NYLON 66(UL)
- FLAME CLASS: 94V-2
- COLOR: NATURAL

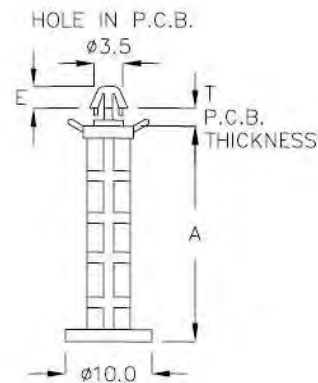
PART NO	A	D	E	T P.C.B. THICKNESS	FORM	PACKAGE
MF-003	3.0	∅6.0	3.0	1.3~1.6	1	2000
MF-03M	3.5	∅6.0	2.8	1.3~1.6	1	
MF-004	4.0	∅6.0	3.0	1.3~1.6	1	
MF-005	5.0	∅6.0	3.0	1.3~1.6	1	
MF-05M	5.5	∅6.0	2.8	1.3~1.6	1	
MF-08	8.0	∅6.0	2.8	1.3~1.6	1	
MF-10	10.0	∅3.5	3.0	0.8~1.0	1	
MF-10AD	10.0	∅6.0	2.85	1.2~1.4	1	1000
MF-10FH	10.0	∅6.0	2.8	1.3~1.6	1	
MF-13	13.0	∅6.0	2.9	1.0~1.2	2	
MF-19	19.0	∅6.0	2.9	1.0~1.2	2	



P.C. 板間隔柱 SPACER SUPPORT 3-74-2

- MATERIAL: NYLON 66(UL)
- FLAME CLASS: 94V-2
- COLOR: NATURAL

PART NO	A	E	T P.C.B. THICKNESS	PACKAGE
MF-26C	26.0	2.5	1.4~1.6	500
MF-36	35.95	2.5	1.4~1.6	
MF-38A	38.35	2.5	1.4~1.6	

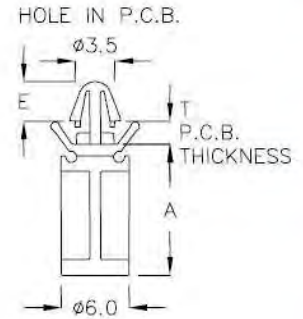




P.C. 板間隔柱 SPACER SUPPORT ———— | 3-75-1 |

- MATERIAL: NYLON 66(UL)
- FLAME CLASS: 94V-2
- COLOR: NATURAL

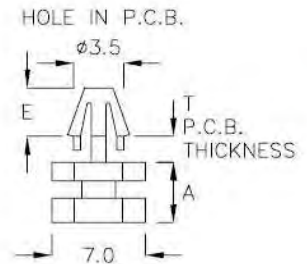
PART NO	A	E	T P.C.B. THICKNESS	PACKAGE
MFQ-4A	4.5	3.5	1.2~1.6	1000
MFQ-07	7.0	3.5	1.2~1.6	
MFQ-12	12.0	3.5	1.2~1.6	
MFQ-15	15.0	3.5	1.2~1.6	
MFQ-16	16.0	3.5	1.2~1.6	



P.C. 板間隔柱 SPACER SUPPORT ———— | 3-75-2 |

- MATERIAL: NYLON 66(UL)
- FLAME CLASS: 94V-2
- COLOR: NATURAL

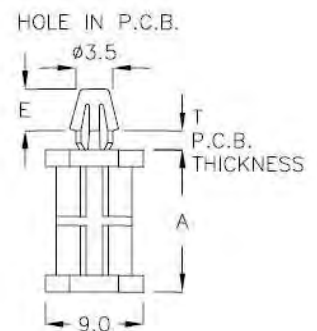
PART NO	A	E	T P.C.B. THICKNESS	PACKAGE
DCMS-4M	4.5	3.6	1.4~1.7	2000
DCMS-6	6.35	3.6	1.4~1.7	
DCMS-11SF	11.0	3.0	1.0~1.4	



P.C. 板間隔柱 SPACER SUPPORT ———— | 3-75-3 |

- MATERIAL: NYLON 66(UL)
- FLAME CLASS: 94V-2
- COLOR: NATURAL

PART NO	A	E	T P.C.B. THICKNESS	PACKAGE
TCD-13	13.0	3.85	1.4~1.6	500

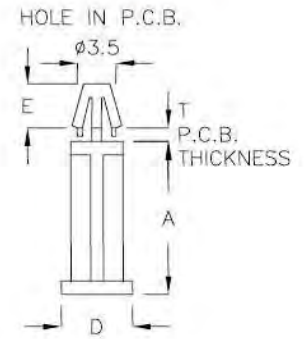




P.C. 板間隔柱 SPACER SUPPORT 3-76-1

- MATERIAL: NYLON 66(UL)
- FLAME CLASS: 94V-2
- COLOR: NATURAL

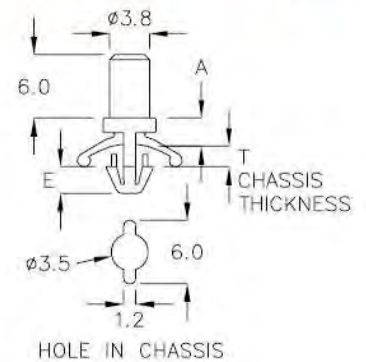
PART NO	A	D	E	T P.C.B. THICKNESS	PACKAGE
TCC-13A	13.5	∅9.0	5.0	1.4~1.6	1000
TCC-14	14.5	∅6.0	4.0	1.4~1.6	
TCC-14A	14.5	∅6.0	2.7	1.4~1.6	
TCC-21SD	21.0	∅8.0	2.8	1.0~1.2	500
TCC-22	22.0	∅5.0	2.9	1.4~1.6	



P.C. 板間隔柱 SPACER SUPPORT 3-76-2

- MATERIAL: NYLON 66(UL)
- FLAME CLASS: 94V-2
- COLOR: NATURAL

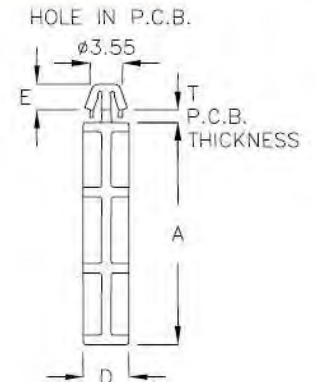
PART NO	A	E	T CHASSIS THICKNESS	PACKAGE
LCG-2K	2.65	2.5	0.6	1000



P.C. 板間隔柱 SPACER SUPPORT 3-76-3

- MATERIAL : NYLON 66(UL)
- FLAME CLASS : 94V-2
- COLOR : NATURAL

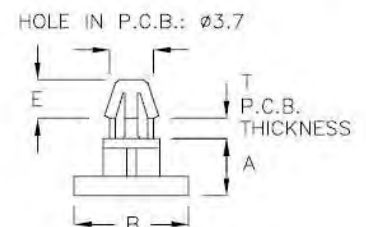
PART NO	A	D	E	T P.C.B. THICKNESS	PACKAGE
MQB-25M	25.5	∅5.0	2.8	1.0~1.2	500
MQB-28F	28.5	∅5.0	2.8	1.0~1.2	



P.C. 板間隔柱 SPACER SUPPORT 3-76-4

- MATERIAL: NYLON 66(UL)
- FLAME CLASS: 94V-2
- COLOR: NATURAL

PART NO	A	B	T P.C.B. THICKNESS	E	PACKAGE
PCQ-03	3.0	∅5.5	1.4~1.6	3.2	2000
PCQ-4A	4.3	∅9.5	1.4~1.6	3.2	

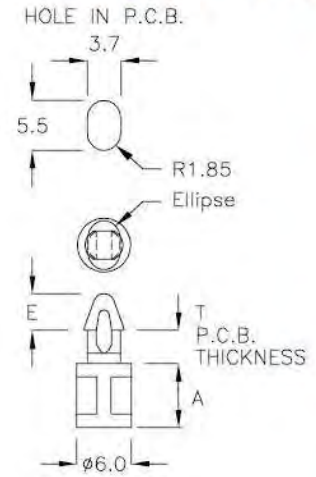




P.C. 板間隔柱 SPACER SUPPORT ———— 3-77-1 |

- MATERIAL: NYLON 66(UL)
- FLAME CLASS: 94V-2
- COLOR: NATURAL

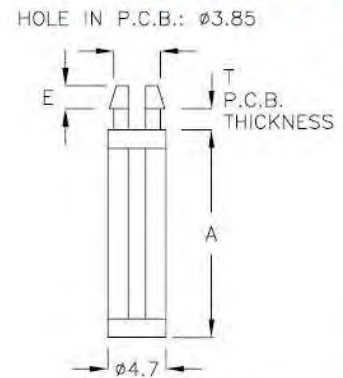
PART NO	A	T P.C.B. THICKNESS	E	PACKAGE
PCM-07	7.0	3.2~3.4	4.0	2000



P.C. 板間隔柱 SPACER SUPPORT ———— 3-77-2 |

- MATERIAL: NYLON 66(UL)
- FLAME CLASS: 94V-2
- COLOR: NATURAL

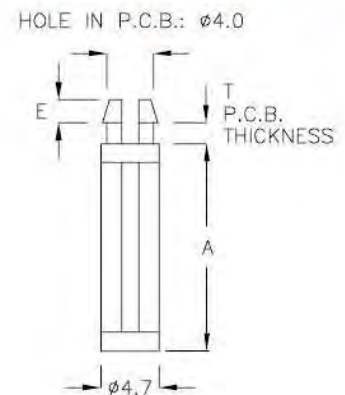
PART NO	A	T P.C.B. THICKNESS	E	PACKAGE
MCC-17S	16.6	1.4~1.6	2.0	1000



P.C. 板間隔柱 SPACER SUPPORT ———— 3-77-3 |

- MATERIAL: NYLON 66(UL)
- FLAME CLASS: 94V-2
- COLOR: NATURAL

PART NO	A	T P.C.B. THICKNESS	E	PACKAGE
TCS-15	15.0	1.4~1.6	2.0	1000

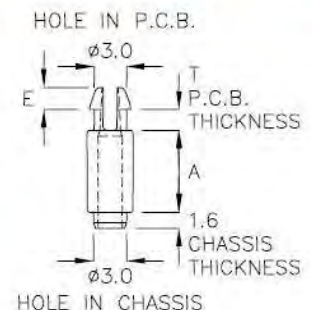


P.C. 板間隔柱 SPACER SUPPORT ———— 3-77-4 |

- MATERIAL: NYLON 66(UL)
- FLAME CLASS: 94V-2
- COLOR: NATURAL



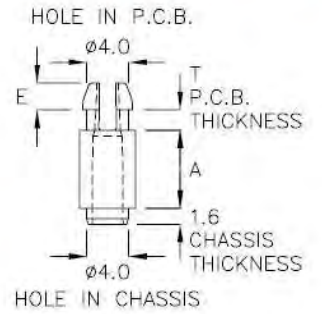
	PART NO	A	E	T P.C.B. THICKNESS	USE SCREW	PACKAGE
★	MCJA-04	4.0	1.9	1.4~1.6	M2.0x12L	2000
★	MCJA-05	5.0	1.9	1.4~1.6	M2.0x12L	
★	MCJA-06	6.0	1.9	1.4~1.6	M2.0x14L	
★	MCJA-07	7.0	1.9	1.4~1.6	M2.0x14L	





P.C. 板間隔柱 SPACER SUPPORT ———— 3-78-1 |

- MATERIAL: NYLON 66(UL)
- FLAME CLASS: 94V-2
- COLOR: NATURAL
- USE M2.5 SCREW

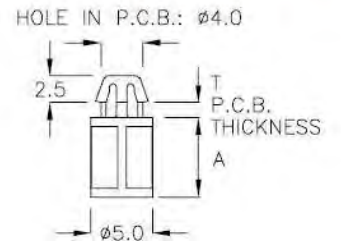


PART NO	A	E	T P.C.B. THICKNESS	USE SCREW	PACKAGE
★ MCJ-03A	3.0	2.4	1.4~1.6	M2.5x10L	2000
★ MCJ-04A	4.0	2.4	1.4~1.6	M2.5x12L	
★ MCJ-05A	5.0	2.4	1.4~1.6	M2.5x12L	
★ MCJ-06A	6.0	2.4	1.4~1.6	M2.5x14L	
MCJ-07	7.0	2.4	1.4~1.6	M2.5x14L	



P.C. 板間隔柱 SPACER SUPPORT ———— 3-78-2 |

- MATERIAL: NYLON 66(UL)
- FLAME CLASS: 94V-2
- COLOR: NATURAL

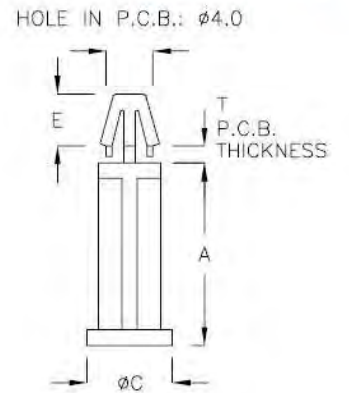


PART NO	A	T P.C.B. THICKNESS	PACKAGE
TCN-07	7.0	1.2~1.6	2000

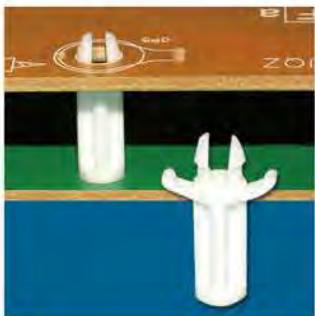


P.C. 板間隔柱 SPACER SUPPORT ———— 3-78-3 |

- MATERIAL: NYLON 66(UL)
- FLAME CLASS: 94V-2
- COLOR: NATURAL

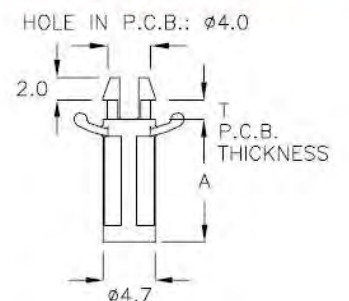


PART NO	A	T P.C.B. THICKNESS	C	E	PACKAGE
TCK-15	15.5	1.2~1.4	10.9	5.0	1000
TCK-17	17.5	1.2~1.4	10.9	5.0	500
TCK-21A	21.5	1.2~1.6	8.0	3.0	



P.C. 板間隔柱 SPACER SUPPORT ———— 3-78-4 |

- MATERIAL: NYLON 66(UL)
- FLAME CLASS: 94V-2
- COLOR: NATURAL



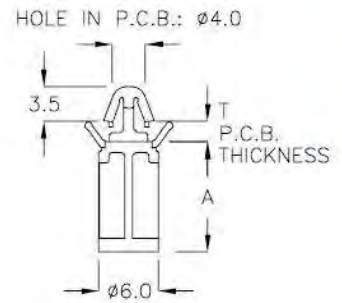
PART NO	A	T P.C.B. THICKNESS	PACKAGE
TCJ-11	11.0	1.2~1.6	1000
TCJ-12A	12.2	1.2~1.6	
TCJ-15	15.0	1.2~1.6	
TCJ-18	18.0	1.2~1.6	



P.C. 板間隔柱 SPACER SUPPORT ———— 3-79-1 |

- MATERIAL: NYLON 66(UL)
- FLAME CLASS: 94V-2
- COLOR: NATURAL

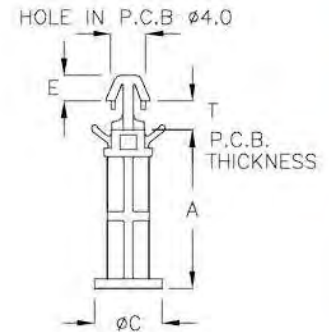
PART NO	A	T P.C.B. THICKNESS	PACKAGE
MFS-11	11.0	1.2~1.6	1000



P.C. 板間隔柱 SPACER SUPPORT ———— 3-79-2 |

- MATERIAL: NYLON 66(UL)
- FLAME CLASS: 94V-2
- COLOR: NATURAL

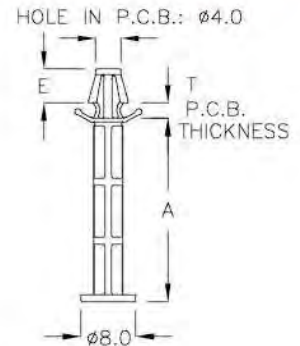
PART NO	A	T P.C.B. THICKNESS	C	E	PACKAGE
TCX-12	12.0	1.6~2.0	4.7	3.0	1000
TCX-19H	19.6	2.6~3.0	8.0	3.0	
TCX-21	21.0	1.4~1.8	8.0	3.0	500



P.C. 板間隔柱 SPACER SUPPORT ———— 3-79-3 |

- MATERIAL: NYLON 66(UL)
- FLAME CLASS: 94V-2
- COLOR: NATURAL

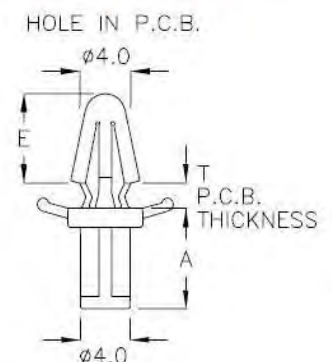
PART NO	A	T P.C.B. THICKNESS	E	PACKAGE
TAN-29F	29.4	1.4~1.6	4.9	500



P.C. 板間隔柱 SPACER SUPPORT ———— 3-79-4 |

- MATERIAL: NYLON 66(UL)
- FLAME CLASS: 94V-2
- COLOR: NATURAL

PART NO	A	E	T CHASSIS THICKNESS	PACKAGE
TCBR-8KF	8.0	7.1	1.6~1.7	1000

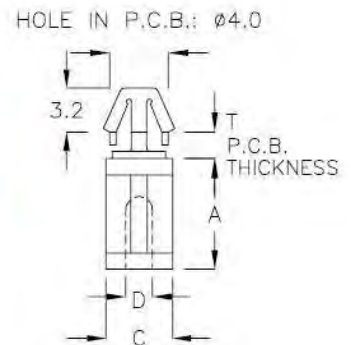




P.C. 板間隔柱 SPACER SUPPORT ———— 3-80-1

- MATERIAL : NYLON 66(UL)
- FLAME CLASS : 94V-2
- COLOR : NATURAL

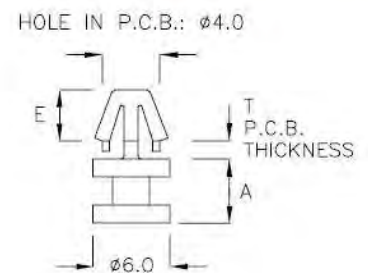
PART NO	A	T P.C.B. THICKNESS	C	D TAPPING SCREW	PACKAGE
MC-5	5.0	1.2~1.7	∅4.95	M2.5	2000
MC-6	6.35	1.2~1.7	∅4.9	M2.5	
MC-10	9.7	1.2~1.7	∅5.8	M2.5	1000
MC-12	12.7	1.2~1.7	∅5.8	M2.5	



P.C. 板間隔柱 SPACER SUPPORT ———— 3-80-2

- MATERIAL : NYLON 66(UL)
- FLAME CLASS : 94V-2
- COLOR : NATURAL

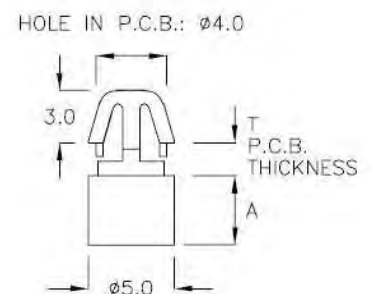
PART NO	A	T P.C.B. THICKNESS	E	PACKAGE
MC-3M	3.5	0.9~1.1	3.2	2000
MC-4M	4.5	0.9~1.1	3.2	
MC-05C	5.0	0.9~1.1	4.0	
MC-5M	5.5	0.9~1.1	3.2	
MC-6F	6.0	0.9~1.1	3.2	



P.C. 板間隔柱 SPACER SUPPORT ———— 3-80-3

- MATERIAL : NYLON 66(UL)
- FLAME CLASS : 94V-2
- COLOR : NATURAL

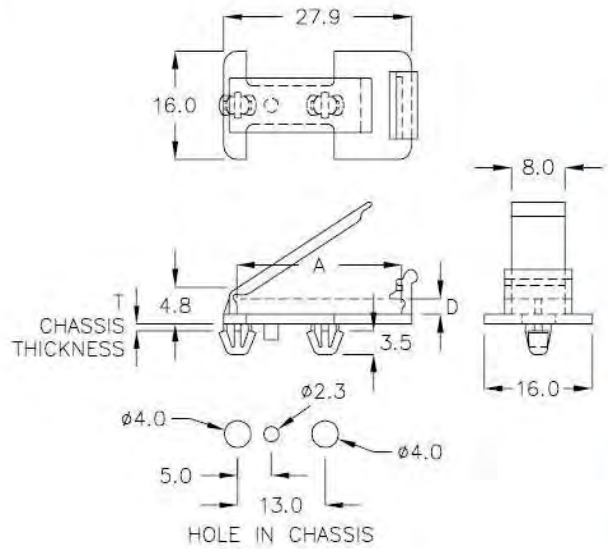
PART NO	A	T P.C.B. THICKNESS	PACKAGE
MC-04F	4.0	1.2~1.6	2000





P.C. 板間隔柱 SPACER SUPPORT ———— | 3-101-1 |

- MATERIAL: NYLON 66(UL)
- FLAME CLASS: 94V-0
- COLOR: NATURAL



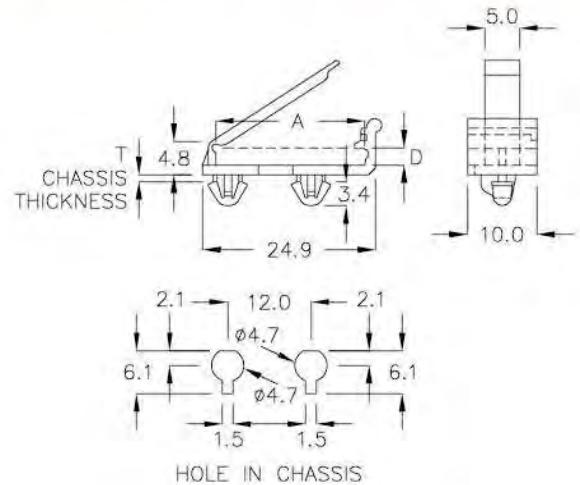
WITH LOCK FEATURE

PART NO	A	D	T CHASSIS THICKNESS	PACKAGE
CYFK-24D	24.5	2.3	0.5~0.8	100



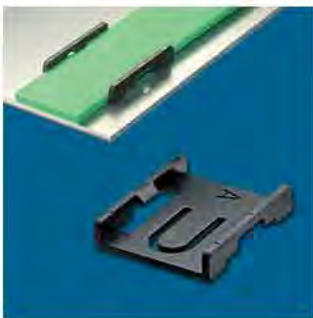
P.C. 板間隔柱 SPACER SUPPORT ———— | 3-101-2 |

- MATERIAL: NYLON 66(UL)
- FLAME CLASS: 94V-0
- COLOR: NATURAL



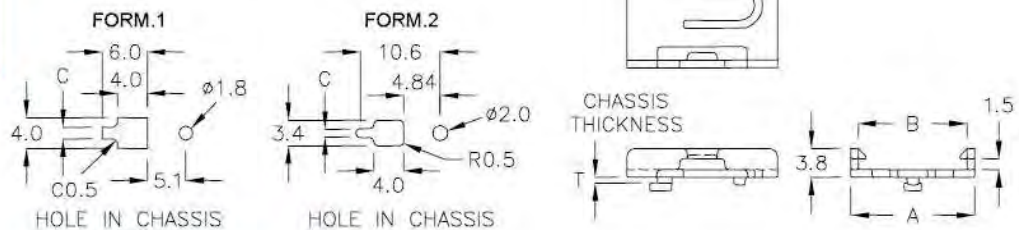
WITH LOCK FEATURE

PART NO	A	D	T CHASSIS THICKNESS	PACKAGE
CYFT-21A	21.5	2.35	0.6~0.8	100



P.C. 板間隔柱 SPACER SUPPORT ———— | 3-101-3 |

- MATERIAL: ABS(UL)
- FLAME CLASS: 94HB
- COLOR: BLACK



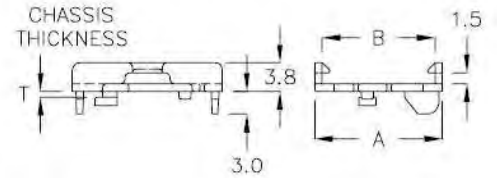
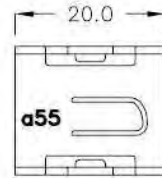
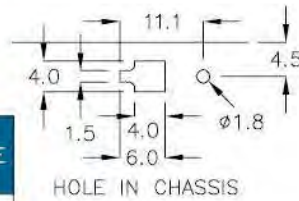
PART NO	A	B	C	T CHASSIS THICKNESS	FORM	PACKAGE
FKJ-14S	16.5	14.5	1.5	0.7	1	500
FKJ-15D	17.0	15.0	1.2	0.5	1	
FKJ-15A	17.5	15.5	1.2	0.8	2	



P.C. 板間隔柱 SPACER SUPPORT | 3-102-1 |

- MATERIAL: ABS(UL)
- FLAME CLASS: 94HB
- COLOR: BLACK

NEW

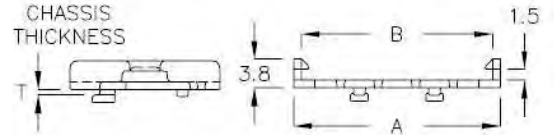
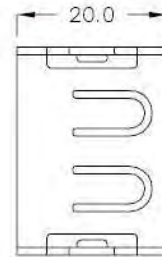
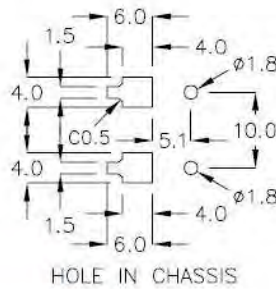


PART NO	A	B	T CHASSIS THICKNESS	PACKAGE
★ FKJR-15	17.0	15.0	0.6	500



P.C. 板間隔柱 SPACER SUPPORT | 3-102-2 |

- MATERIAL: ABS(UL)
- FLAME CLASS: 94HB
- COLOR: BLACK



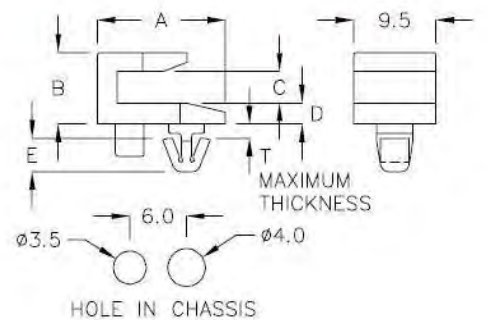
PART NO	A	B	T CHASSIS THICKNESS	PACKAGE
FKJD-25	27.5	25.5	0.7	200



P.C. 板間隔柱 SPACER SUPPORT | 3-102-3 |

- MATERIAL: NYLON 66(UL)
- FLAME CLASS: 94V-2
- COLOR: NATURAL

NEW

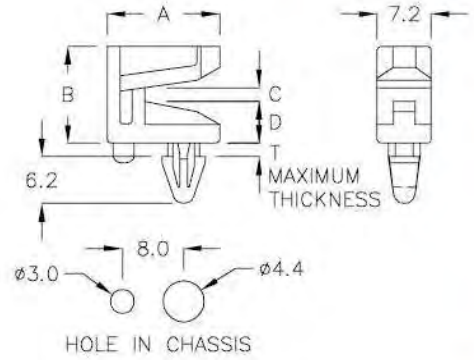


PART NO	A	B	C	D	E	T MAXIMUM THICKNESS	PACKAGE
★ UB-02C	13.5	7.5	3.3	2.2	3.5	1.3	500



P.C. 板間隔柱 SPACER SUPPORT ——— 3-103-1

- MATERIAL: NYLON 66(UL)
- FLAME CLASS: 94V-2
- COLOR: NATURAL

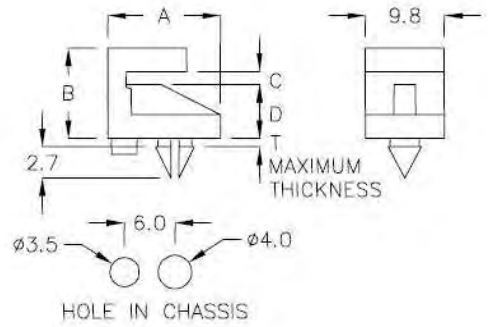


PART NO	A	B	C	D	T MAXIMUM THICKNESS	PACKAGE
UB-05A	15.0	12.8	1.8	5.5	1.6	500



P.C. 板間隔柱 SPACER SUPPORT ——— 3-103-2

- MATERIAL: NYLON 66(UL)
- FLAME CLASS: 94V-2
- COLOR: NATURAL

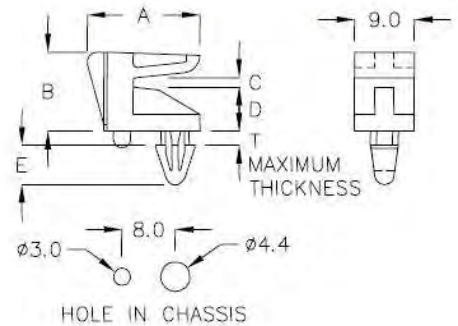


PART NO	A	B	C	D	T MAXIMUM THICKNESS	PACKAGE
UB-6	12.6	10.8	1.7	6.0	1.0	500

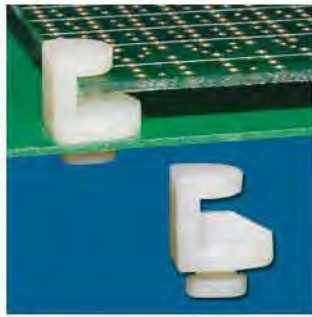


P.C. 板間隔柱 SPACER SUPPORT ——— 3-103-3

- MATERIAL: NYLON 66(UL)
- FLAME CLASS: 94V-2
- COLOR: NATURAL

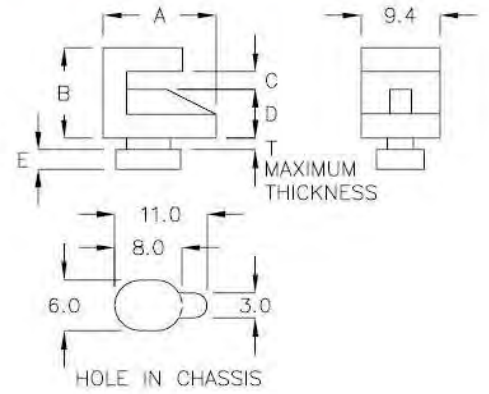


PART NO	A	B	C	D	E	T MAXIMUM THICKNESS	PACKAGE
UB-6BT	17.5	12.0	1.4	6.5	6.3	1.6	500
UB-6CT	17.5	11.8	1.6	6.35	6.0	1.6	



P.C. 板間隔柱 SPACER SUPPORT ——— 3-104-1

- MATERIAL: NYLON 66(UL)
- FLAME CLASS: 94V-2
- COLOR: NATURAL

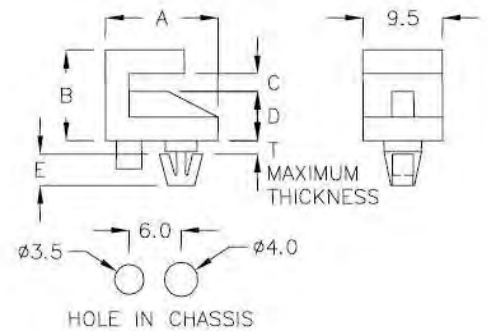


PART NO	A	B	C	D	E	T MAXIMUM THICKNESS	PACKAGE
UB-6A	12.5	10.9	1.9	5.9	2.6	1.2	500
UB-6D	12.3	11.6	2.3	6.4	2.5	1.2	



P.C. 板間隔柱 SPACER SUPPORT ——— 3-104-2

- MATERIAL: NYLON 66(UL)
- FLAME CLASS: 94V-2
- COLOR: NATURAL

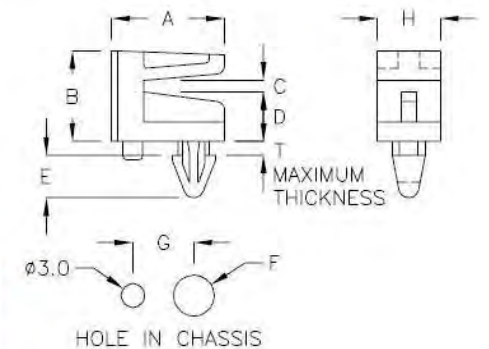


PART NO	A	B	C	D	E	T MAXIMUM THICKNESS	PACKAGE
UB-6E	13.5	10.8	2.4	6.4	3.5	1.3	500
UB-6K	13.4	10.8	2.1	6.0	3.7	2.1	



P.C. 板間隔柱 SPACER SUPPORT ——— 3-104-3

- MATERIAL: NYLON 66(UL)
- FLAME CLASS: 94V-2
- COLOR: NATURAL



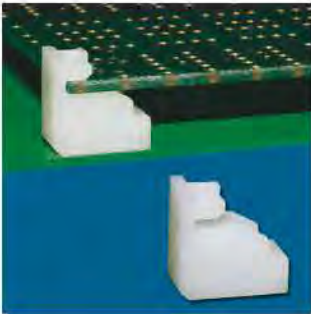
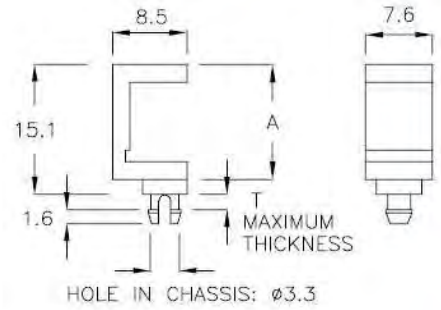
PART NO	A	B	C	D	E	F	G	H	T MAXIMUM THICKNESS	PACKAGE
UB-06H	21.5	11.8	1.3	6.6	6.0	4.4	8.0	9.0	1.6	500
UB-6T	14.8	11.9	1.3	6.6	5.9	4.4	8.0	9.0	1.7	
UB-06U	12.0	11.8	1.3	6.6	6.0	4.4	6.5	6.0	1.8	
UB-08U	12.0	14.0	2.0	8.5	7.0	4.4	6.5	6.0	0.8	
UB-14T	15.0	19.2	1.3	14.0	5.9	4.4	8.0	9.0	1.8	200
UB-18T	15.5	23.6	1.6	18.3	6.0	5.0	8.5	9.0	1.8	



P.C. 板間隔柱 SPACER SUPPORT ———— | **3-105-1** |

- MATERIAL: NYLON 66(UL)
- FLAME CLASS: 94V-2
- COLOR: NATURAL

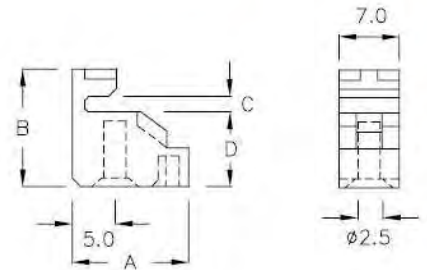
PART NO	A	T MAXIMUM THICKNESS	PACKAGE
UB-7	13.3	1.6	500



P.C. 板間隔柱 SPACER SUPPORT ———— | **3-105-2** |

- MATERIAL: NYLON 66(UL)
- FLAME CLASS: 94V-2
- COLOR: NATURAL
- USE M3 TAPPING SCREW

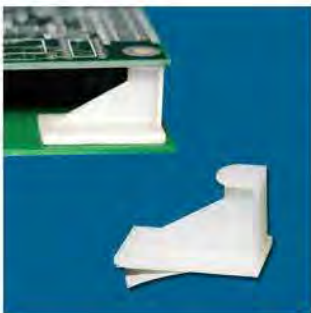
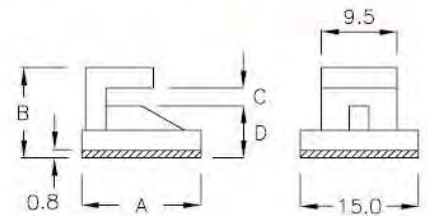
PART NO	A	B	C	D	PACKAGE
UB-09K	13.5	13.6	1.8	8.6	500



P.C. 板間隔柱 SPACER SUPPORT ———— | **3-105-3** |

- MATERIAL: NYLON 66(UL)
- FLAME CLASS: 94V-2
- COLOR: NATURAL
- ADHESIVE TAPE: 3M

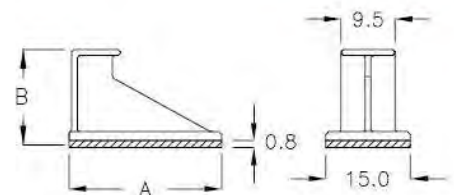
PART NO	A	B	C	D	PACKAGE
UB-6F	15.0	11.1	2.2	6.35	500
UB-11F	15.0	15.8	2.4	10.8	
UB-12F	15.0	16.7	2.3	11.9	



P.C. 板間隔柱 SPACER SUPPORT ———— | **3-105-4** |

- MATERIAL: NYLON 66(UL)
- FLAME CLASS: 94V-2
- COLOR: NATURAL
- ADHESIVE TAPE: 3M

PART NO	A	B	PACKAGE
UBC-17	27.0	16.7	500

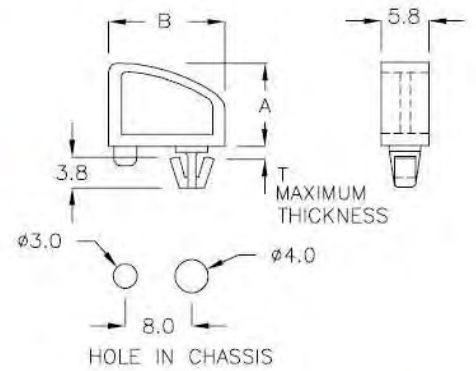




P.C. 板間隔柱 SPACER SUPPORT 3-106-1

- MATERIAL: NYLON 66(UL)
- FLAME CLASS: 94V-2
- COLOR: NATURAL

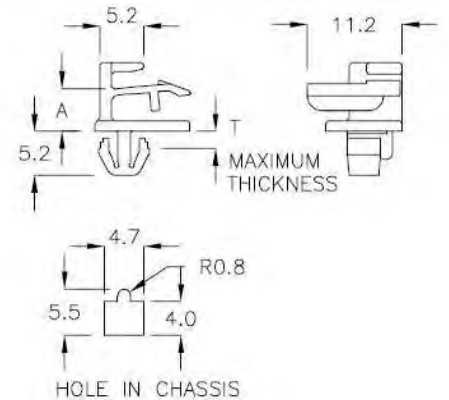
PART NO	A	B	T MAXIMUM THICKNESS	PACKAGE
UA-10	10.0	14.0	1.2	500



P.C. 板間隔柱 SPACER SUPPORT 3-106-2

- MATERIAL: NYLON 66(UL)
- FLAME CLASS: 94V-2
- COLOR: NATURAL

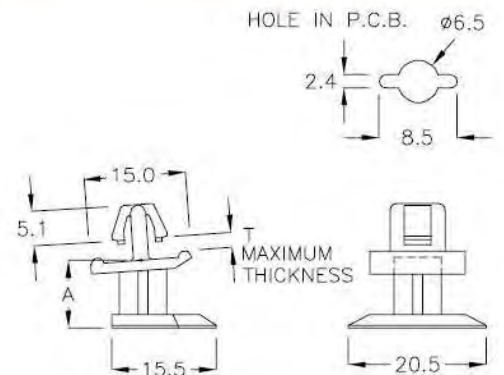
PART NO	A	T MAXIMUM THICKNESS	PACKAGE
UBL-05	5.0	1.6	500



P.C. 板間隔柱 SPACER SUPPORT 3-106-3

- MATERIAL: NYLON 66(UL)
- FLAME CLASS: 94V-2
- COLOR: NATURAL

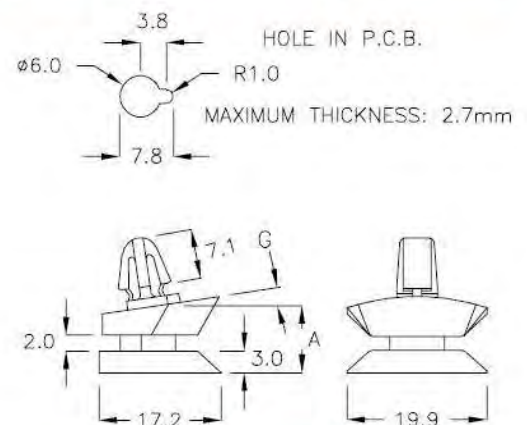
PART NO	A	T MAXIMUM THICKNESS	PACKAGE
UNB-11	10.0	2.0	500



P.C. 板間隔柱 SPACER SUPPORT 3-106-4

- MATERIAL: NYLON 66(UL)
- FLAME CLASS: 94V-2
- COLOR: NATURAL

PART NO	A	G	PACKAGE
UNC-10A	9.1	8.5°	500

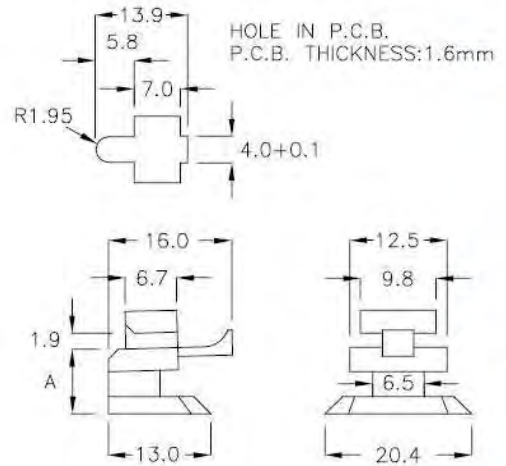




P.C. 板間隔柱 SPACER SUPPORT | 3-107-1 |

- MATERIAL: NYLON 66(UL)
- FLAME CLASS: 94V-2
- COLOR: NATURAL

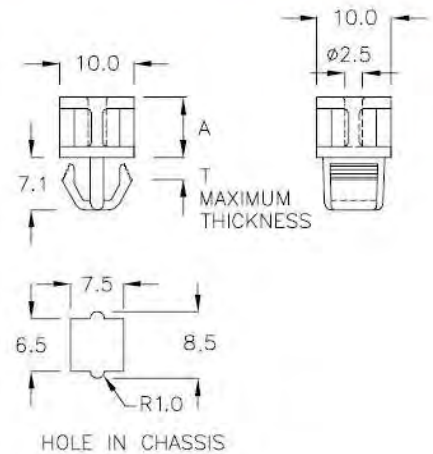
PART NO	A	PACKAGE
UNG-8	8.2	500



P.C. 板間隔柱 SPACER SUPPORT | 3-107-2 |

- MATERIAL: NYLON 66(UL)
- FLAME CLASS: 94V-2
- COLOR: NATURAL
- USE M3 TAPPING SCREW

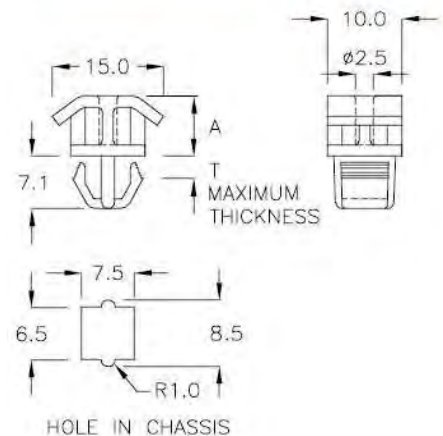
PART NO	A	T MAXIMUM THICKNESS	PACKAGE
CH-08F	8.0	2.0	500
CH-10K	10.0	1.4	



P.C. 板間隔柱 SPACER SUPPORT | 3-107-3 |

- MATERIAL: NYLON 66(UL)
- FLAME CLASS: 94V-2
- COLOR: NATURAL
- USE M3 TAPPING SCREW

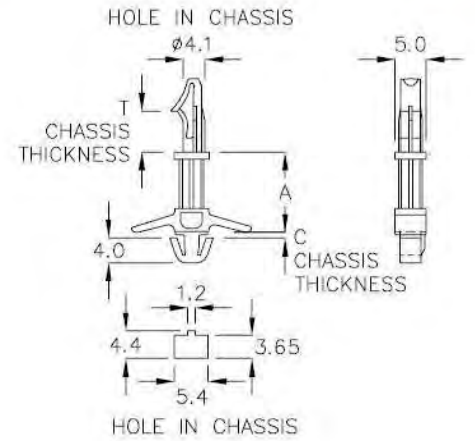
PART NO	A	T MAXIMUM THICKNESS	PACKAGE
CH-08K	8.0	2.0	500





P.C. 板間隔柱 SPACER SUPPORT ———— 3-108-1

- MATERIAL: NYLON 66(UL)
- FLAME CLASS: 94V-2
- COLOR: NATURAL

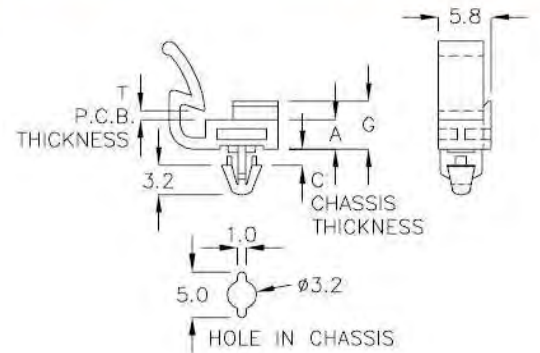


PART NO	A	C CHASSIS THICKNESS	T CHASSIS THICKNESS	PACKAGE
MQG-12P	12.7	0.6~0.8	4.7	500



P.C. 板間隔柱 SPACER SUPPORT ———— 3-108-2

- MATERIAL: NYLON 66(UL)
- FLAME CLASS: 94V-2
- COLOR: NATURAL

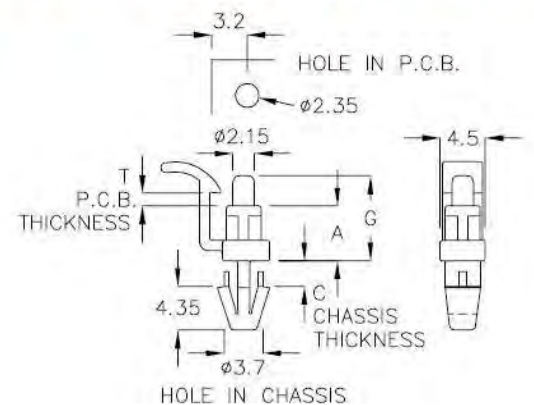


PART NO	A	G	C CHASSIS THICKNESS	T P.C.B. THICKNESS	PACKAGE
LSB-3A	3.2	5.2	1.4~1.6	0.8~1.6	1000



P.C. 板間隔柱 SPACER SUPPORT ———— 3-108-3

- MATERIAL: NYLON 66(UL)
- FLAME CLASS: 94V-2
- COLOR: NATURAL



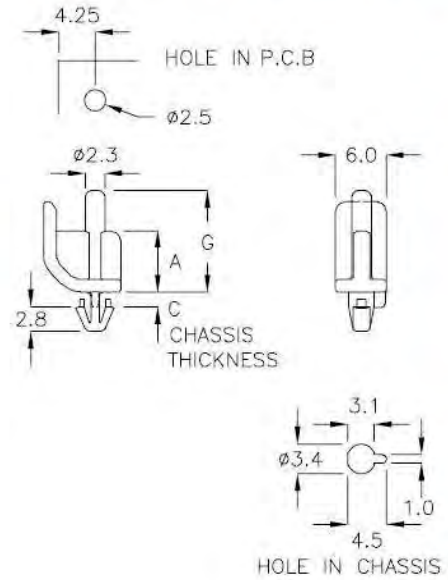
PART NO	A	G	C CHASSIS THICKNESS	T P.C.B. THICKNESS	PACKAGE
LTY-5A	5.4	8.4	2.2~2.4	0.8~1.0	500



P.C. 板間隔柱 SPACER SUPPORT ———— | 3-109-1 |

- MATERIAL: NYLON 66(UL)
- FLAME CLASS: 94V-2
- COLOR: NATURAL

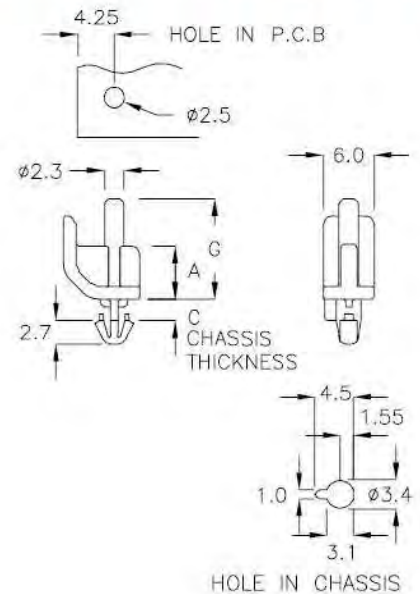
PART NO	A	G	C CHASSIS THICKNESS	PACKAGE
LKB-6PA	7.0	11.7	1.4~1.6	1000



P.C. 板間隔柱 SPACER SUPPORT ———— | 3-109-2 |

- MATERIAL: NYLON 66(UL)
- FLAME CLASS: 94V-2
- COLOR: NATURAL

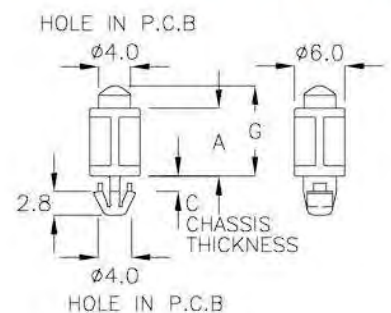
PART NO	A	G	C CHASSIS THICKNESS	PACKAGE
LKB-6FQ	6.2	11.7	2.2~2.4	1000



P.C. 板間隔柱 SPACER SUPPORT ———— | 3-109-3 |

- MATERIAL: NYLON 66(UL)
- FLAME CLASS: 94V-2
- COLOR: BLACK

PART NO	A	G	C CHASSIS THICKNESS	PACKAGE
LCZ-8PH	8.0	10.7	1.6	2000

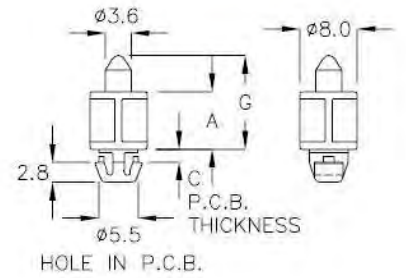




P.C. 板間隔柱 SPACER SUPPORT ———— 3-110-1

- MATERIAL: NYLON 66(UL)
- FLAME CLASS: 94V-2
- COLOR: NATURAL

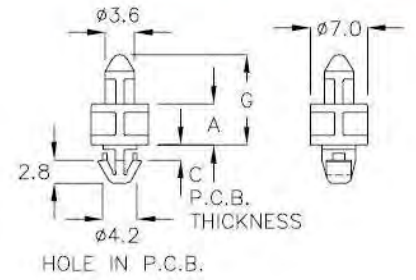
PART NO	A	G	C P.C.B. THICKNESS	PACKAGE
LKC-8A	8.0	13.0	1.6	2000



P.C. 板間隔柱 SPACER SUPPORT ———— 3-110-2

- MATERIAL: NYLON 66(UL)
- FLAME CLASS: 94V-2
- COLOR: NATURAL

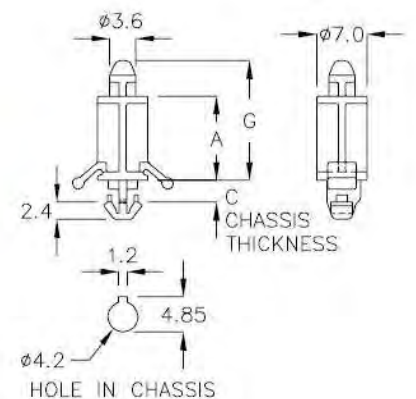
PART NO	A	G	C P.C.B. THICKNESS	PACKAGE
LKN-5T	5.0	11.0	1.6	2000

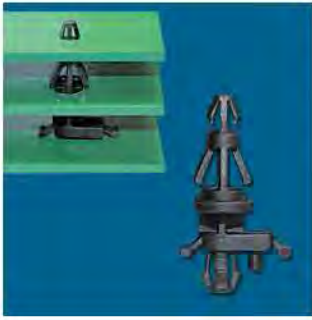


P.C. 板間隔柱 SPACER SUPPORT ———— 3-110-3

- MATERIAL: NYLON 66(UL)
- FLAME CLASS: 94V-2
- COLOR: BLACK

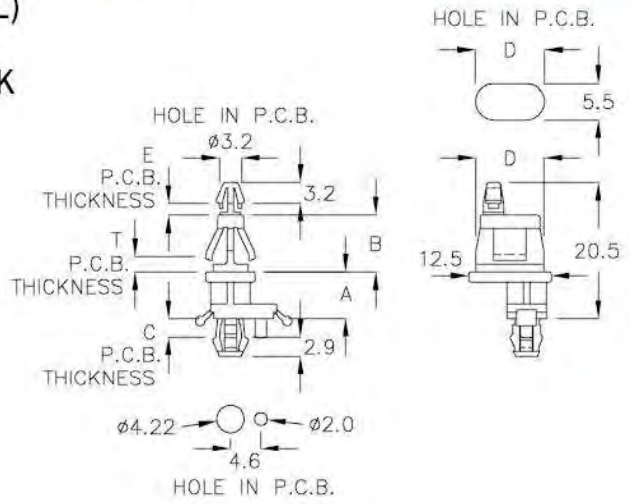
PART NO	A	G	C CHASSIS THICKNESS	PACKAGE
LKN-11HR	11.6	16.5	2.6	1000





P.C. 板間隔柱 SPACER SUPPORT ———— | 3-111-1 |

- MATERIAL: NYLON 66(UL)
- FLAME CLASS: 94V-2
- COLOR: NATURAL, BLACK

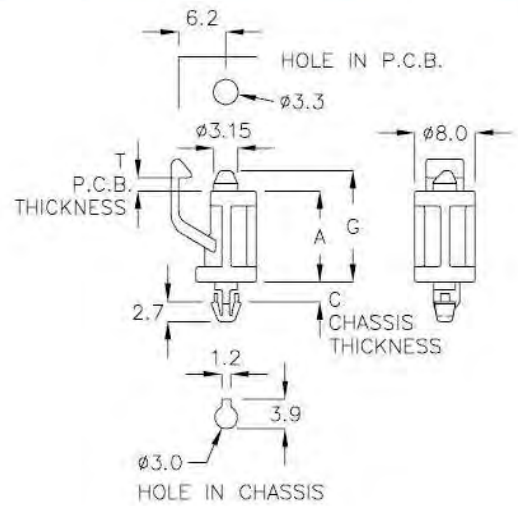


PART NO	A	B	C P.C.B. THICKNESS	D HOLE IN P.C.B.	E P.C.B. THICKNESS	T P.C.B. THICKNESS	PACKAGE
LMWY-26	7.0	8.6	2.36 or 1.92	10.5	1.6	1.6	1000



P.C. 板間隔柱 SPACER SUPPORT ———— | 3-111-2 |

- MATERIAL: NYLON 66(UL)
- FLAME CLASS: 94V-2
- COLOR: NATURAL

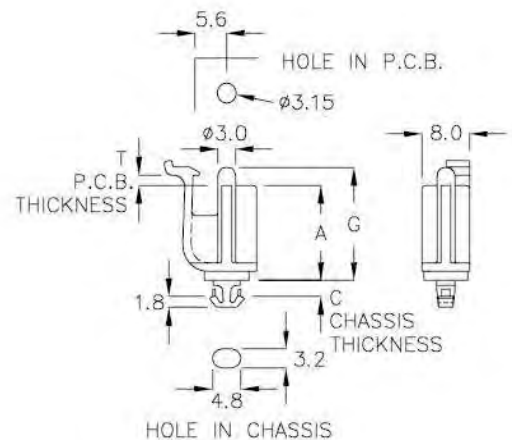


PART NO	A	G	C CHASSIS THICKNESS	T P.C.B. THICKNESS	PACKAGE
LTZ-12HC	12.0	14.7	2.4	1.6	500



P.C. 板間隔柱 SPACER SUPPORT ———— | 3-111-3 |

- MATERIAL: NYLON 66(UL)
- FLAME CLASS: 94V-2
- COLOR: NATURAL

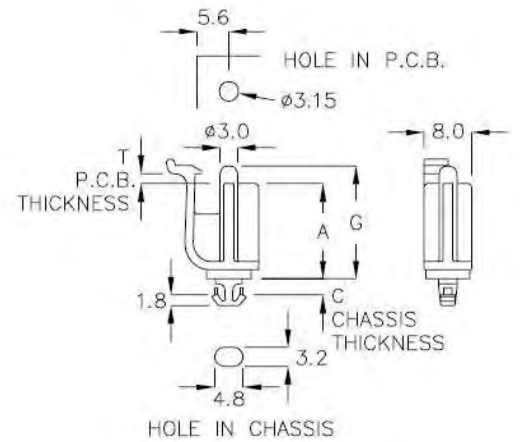


PART NO	A	G	C CHASSIS THICKNESS	T P.C.B. THICKNESS	PACKAGE
LTKL-16	16.0	19.0	2.5	1.4~1.6	500



P.C. 板間隔柱 SPACER SUPPORT ———— 3-112-1

- MATERIAL: NYLON 66(UL)
- FLAME CLASS: 94V-2
- COLOR: NATURAL

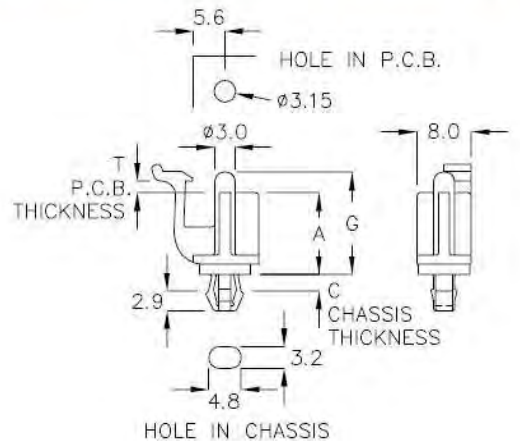


PART NO	A	G	C CHASSIS THICKNESS	T P.C.B. THICKNESS	PACKAGE
LTKR-16C	16.0	19.0	2.5	1.4~1.6	500



P.C. 板間隔柱 SPACER SUPPORT ———— 3-112-2

- MATERIAL: NYLON 66(UL)
- FLAME CLASS: 94V-2
- COLOR: NATURAL

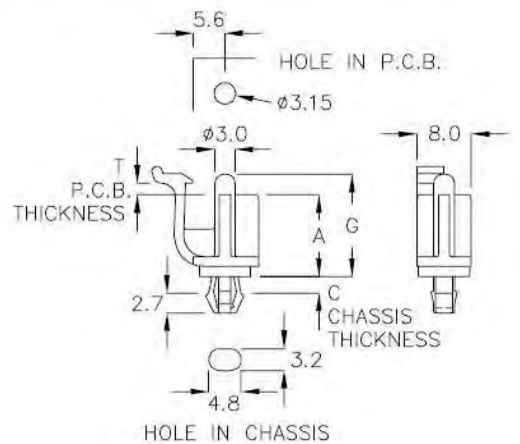


PART NO	A	G	C CHASSIS THICKNESS	T P.C.B. THICKNESS	PACKAGE
LTEL-12F	12.0	15.0	1.8~2.2	1.6	500



P.C. 板間隔柱 SPACER SUPPORT ———— 3-112-3

- MATERIAL: NYLON 66(UL)
- FLAME CLASS: 94V-2
- COLOR: NATURAL

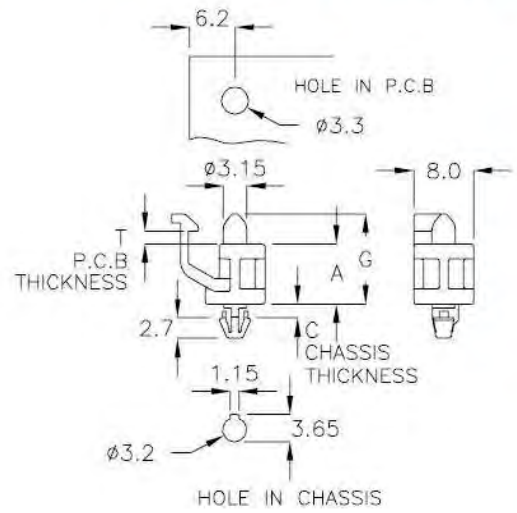


PART NO	A	G	C CHASSIS THICKNESS	T P.C.B. THICKNESS	PACKAGE
LTER-12G	12.0	15.0	1.8~2.2	1.6	500



P.C. 板間隔柱 SPACER SUPPORT ———— | **3-113-1** |

- MATERIAL: NYLON 66(UL)
- FLAME CLASS: 94V-2
- COLOR: NATURAL

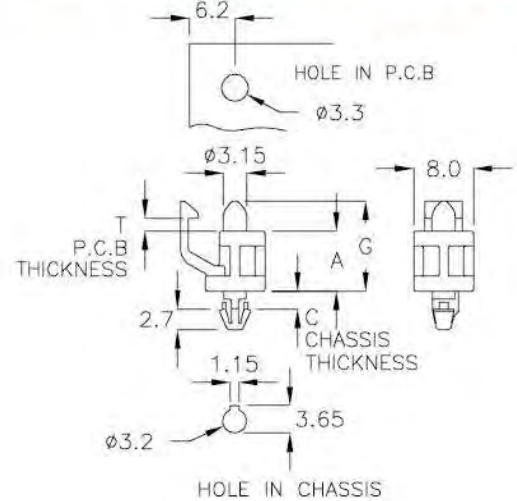


PART NO	A	G	T P.C.B THICKNESS	C CHASSIS THICKNESS	PACKAGE
LTN-8G	8.0	12.0	1.6	1.6	1000



P.C. 板間隔柱 SPACER SUPPORT ———— | **3-113-2** |

- MATERIAL: NYLON 66(UL)
- FLAME CLASS: 94V-2
- COLOR: NATURAL

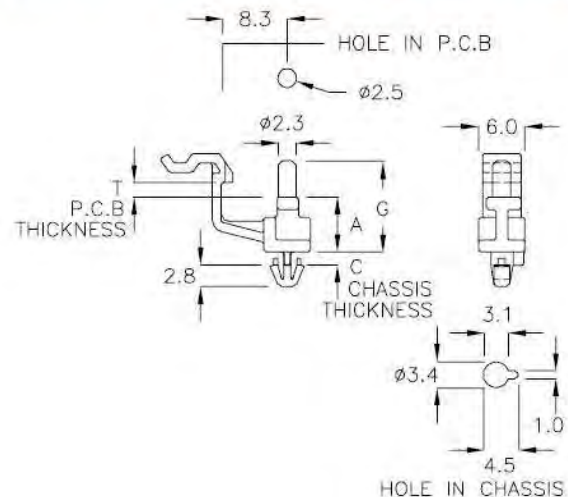


PART NO	A	G	T P.C.B THICKNESS	C CHASSIS THICKNESS	PACKAGE
LTN-8CK	8.0	12.0	1.6	2.2	1000



P.C. 板間隔柱 SPACER SUPPORT ———— | **3-113-3** |

- MATERIAL: NYLON 66(UL)
- FLAME CLASS: 94V-2
- COLOR: BLUE,BLACK



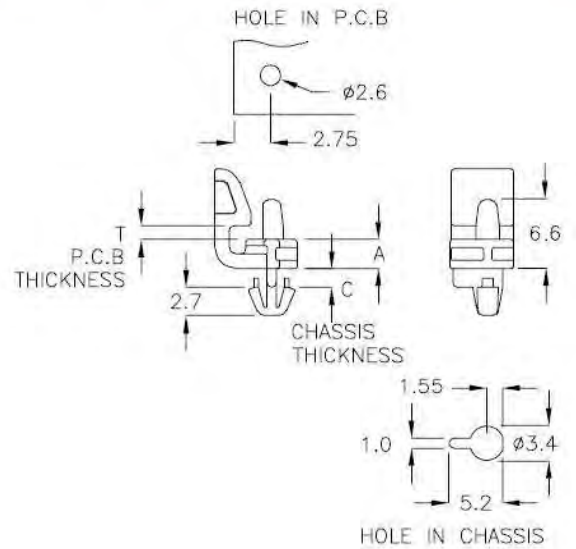
PART NO	A	G	T P.C.B THICKNESS	C CHASSIS THICKNESS	PACKAGE
LMM-6DA	7.0	11.7	1.4~1.6	1.4~1.6	1000



P.C. 板間隔柱 SPACER SUPPORT | 3-114-1 |

- MATERIAL: NYLON 66(UL)
- FLAME CLASS: 94V-2
- COLOR: NATURAL

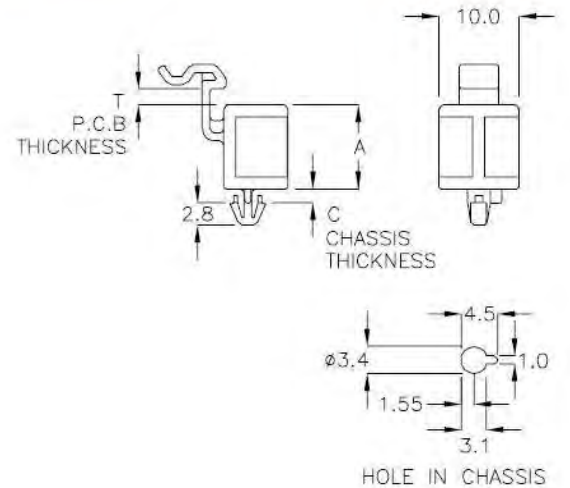
PART NO	A	T P.C.B. THICKNESS	C CHASSIS THICKNESS	PACK AGE
LMF-2K	2.8	0.8~1.0	1.4~1.6	1000



P.C. 板間隔柱 SPACER SUPPORT | 3-114-2 |

- MATERIAL: NYLON 66(UL)
- FLAME CLASS: 94V-2
- COLOR: NATURAL

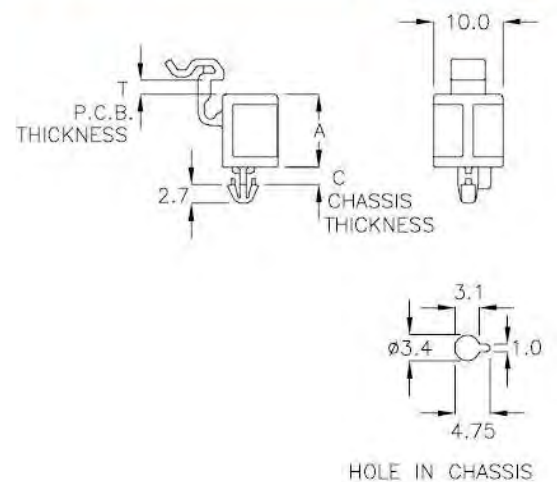
PART NO	A	T P.C.B. THICKNESS	C CHASSIS THICKNESS	PACKAGE
LMH-11	10.5	1.6~1.8	1.4~1.6	1000



P.C. 板間隔柱 SPACER SUPPORT | 3-114-3 |

- MATERIAL: NYLON 66(UL)
- FLAME CLASS: 94V-2
- COLOR: NATURAL

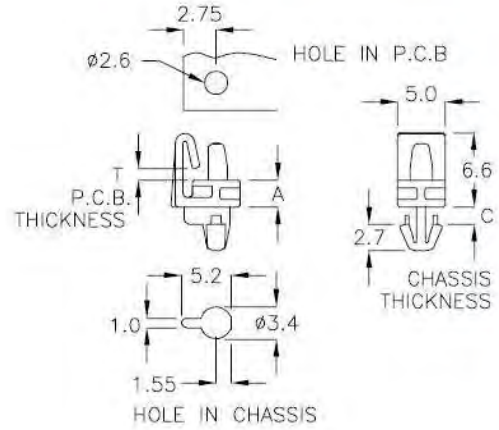
PART NO	A	T P.C.B. THICKNESS	C CHASSIS THICKNESS	PACKAGE
LMH-11SA	10.5	1.6~1.8	2.2~2.4	1000





P.C. 板間隔柱 SPACER SUPPORT | 3-115-1 |

- MATERIAL: NYLON 66(UL)
- FLAME CLASS: 94V-2
- COLOR: NATURAL

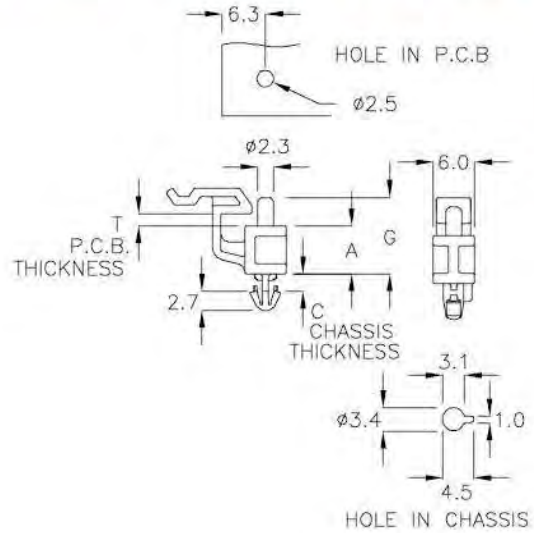


PART NO	A	T P.C.B THICKNESS	C CHASSIS THICKNESS	PACKAGE
LMK-2YW	2.8	0.8~1.0	1.4~1.6	2000



P.C. 板間隔柱 SPACER SUPPORT | 3-115-2 |

- MATERIAL: NYLON 66(UL)
- FLAME CLASS: 94V-2
- COLOR: NATURAL

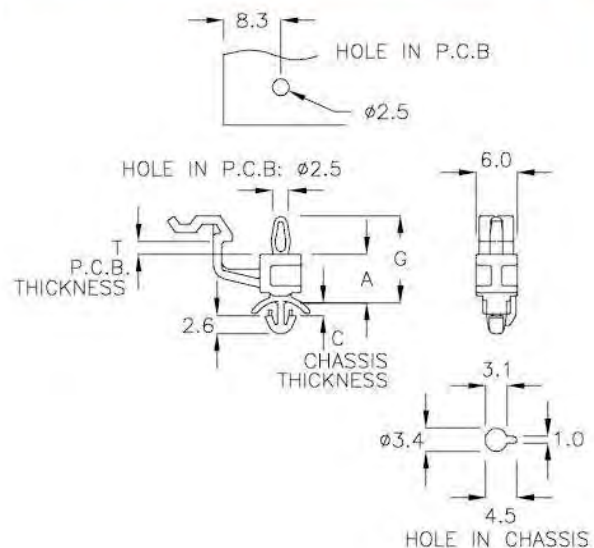


PART NO	A	G	T P.C.B THICKNESS	C CHASSIS THICKNESS	PACKAGE
LMM-6CP	6.9	11.0	1.4~1.6	2.2~2.4	1000



P.C. 板間隔柱 SPACER SUPPORT | 3-115-3 |

- MATERIAL: NYLON 66(UL)
- FLAME CLASS: 94V-2
- COLOR: NATURAL

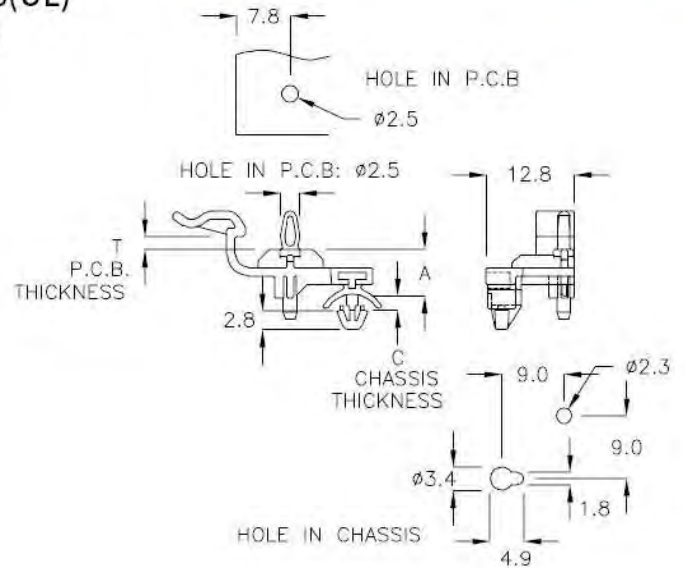


PART NO	A	G	T P.C.B THICKNESS	C CHASSIS THICKNESS	PACKAGE
LMJ-7TC	7.0	12.55	1.6	1.0~1.6	1000



P.C. 板間隔柱 SPACER SUPPORT | 3-116-1 |

- MATERIAL: NYLON 66(UL)
- FLAME CLASS: 94V-2
- COLOR: NATURAL

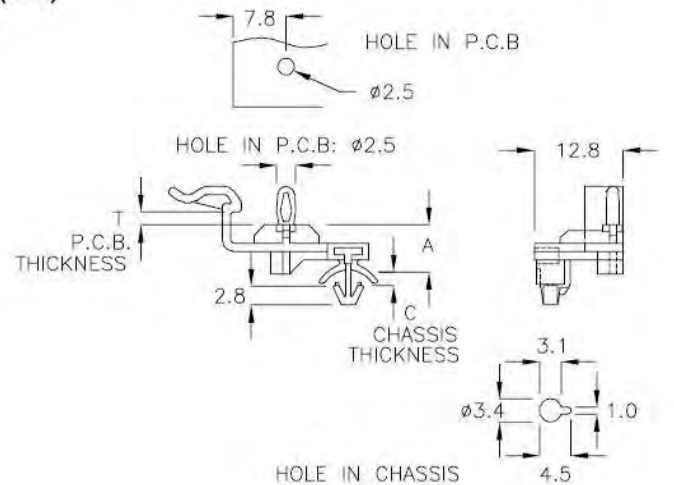


PART NO	A	T P.C.B. THICKNESS	C CHASSIS THICKNESS	PACKAGE
LMX-7BK	6.7	1.6	1.0~1.6	500

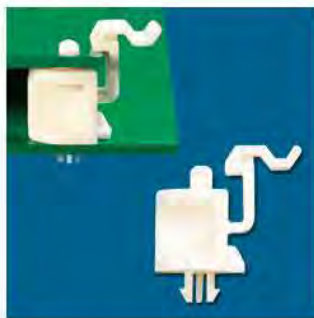


P.C. 板間隔柱 SPACER SUPPORT | 3-116-2 |

- MATERIAL: NYLON 66(UL)
- FLAME CLASS: 94V-2
- COLOR: NATURAL

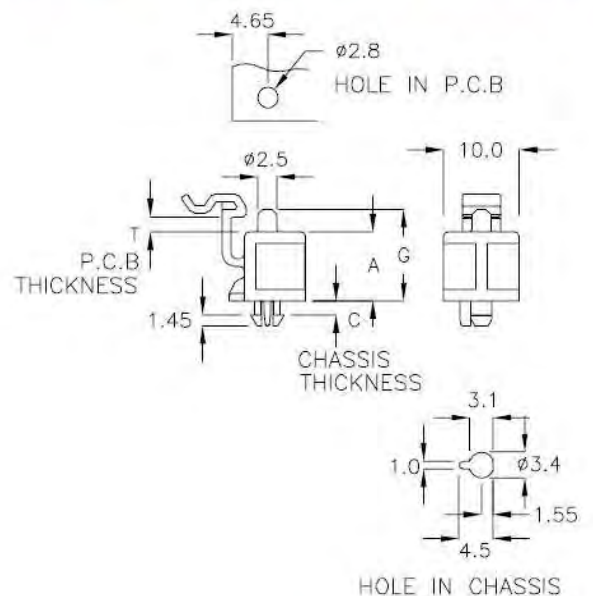


PART NO	A	T P.C.B. THICKNESS	C CHASSIS THICKNESS	PACKAGE
LMX-7YD	6.7	1.6	1.0~1.6	500



P.C. 板間隔柱 SPACER SUPPORT | 3-116-3 |

- MATERIAL: NYLON 66(UL)
- FLAME CLASS: 94V-2
- COLOR: NATURAL

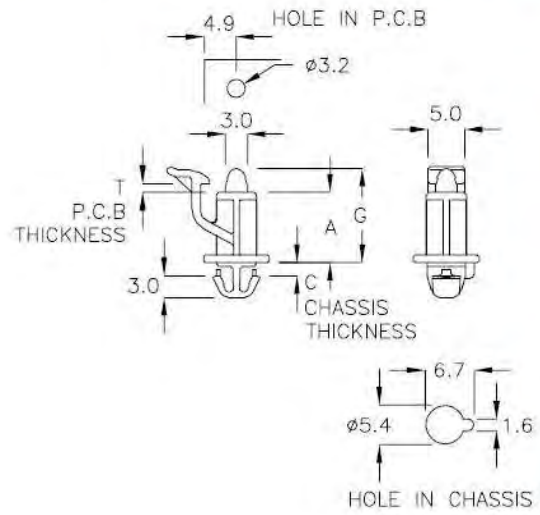


PART NO	A	G	T P.C.B. THICKNESS	C CHASSIS THICKNESS	PACKAGE
LTH-9PN	9.0	12.0	1.6~1.8	1.4~1.6	1000



P.C. 板間隔柱 SPACER SUPPORT ———— | 3-117-1 |

- MATERIAL: NYLON 66(UL)
- FLAME CLASS: 94V-2
- COLOR: NATURAL

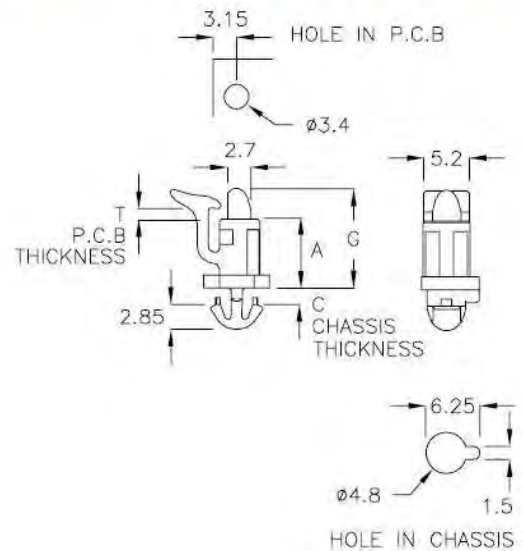


PART NO	A	G	T P.C.B THICKNESS	C CHASSIS THICKNESS	PACKAGE
LMP-9RQ	9.55	12.85	0.8~1.0	1.4~1.6	1000



P.C. 板間隔柱 SPACER SUPPORT ———— | 3-117-2 |

- MATERIAL: NYLON 66(UL)
- FLAME CLASS: 94V-2
- COLOR: NATURAL, BLACK

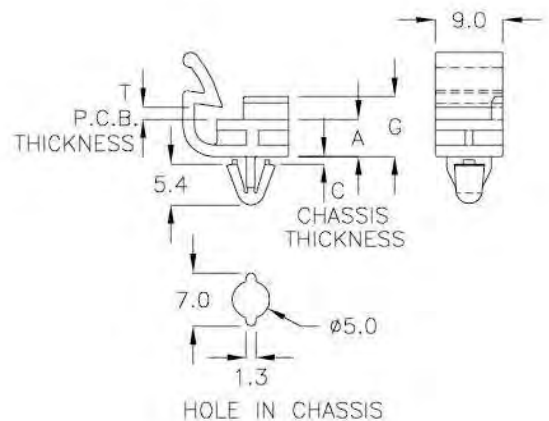


PART NO	A	G	T P.C.B THICKNESS	C CHASSIS THICKNESS	PACKAGE
LTN-7C	7.85	11.4	1.0~1.2	1.4~1.6	1000
LTN-7F	7.85	11.4	1.0~1.2	2.0~2.15	
LTN-9K	9.0	12.6	1.2~1.6	2.15	



P.C. 板間隔柱 SPACER SUPPORT ———— | 3-117-3 |

- MATERIAL: NYLON 66(UL)
- FLAME CLASS: 94V-2
- COLOR: NATURAL

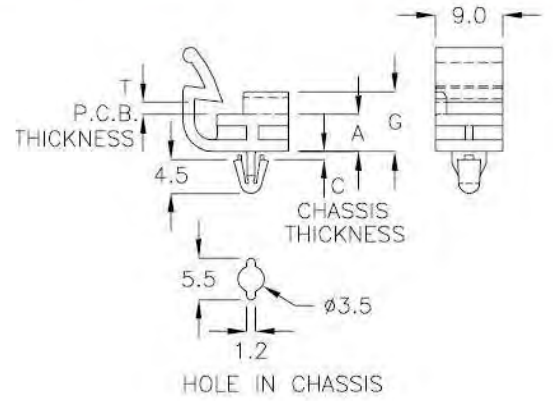


PART NO	A	G	T P.C.B. THICKNESS	C CHASSIS THICKNESS	PACKAGE
LSK-6P	4.9	7.9	1.4~1.6	0.6~0.8	500



P.C. 板間隔柱 SPACER SUPPORT ———— 3-118-1

- MATERIAL: NYLON 66(UL)
- FLAME CLASS: 94V-2
- COLOR: NATURAL

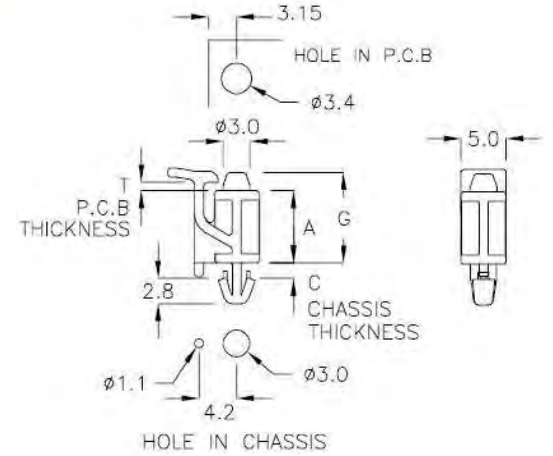


PART NO	A	G	T P.C.B. THICKNESS	C CHASSIS THICKNESS	PACKAGE
LSK-6Q	4.9	7.9	1.4~1.6	0.6~0.8	500



P.C. 板間隔柱 SPACER SUPPORT ———— 3-118-2

- MATERIAL: NYLON 66(UL)
- FLAME CLASS: 94V-2
- COLOR: NATURAL

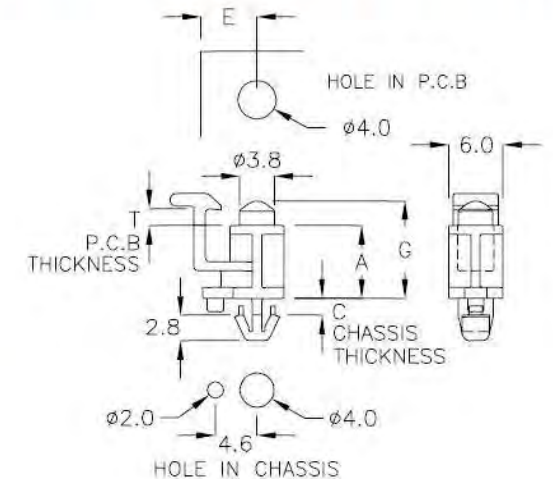


PART NO	A	G	T P.C.B. THICKNESS	C CHASSIS THICKNESS	PACKAGE
LMR-08	8.0	10.0	0.6~0.8	1.4~1.6	1000



P.C. 板間隔柱 SPACER SUPPORT ———— 3-118-3

- MATERIAL: NYLON 66(UL)
- FLAME CLASS: 94V-2
- COLOR: BLACK

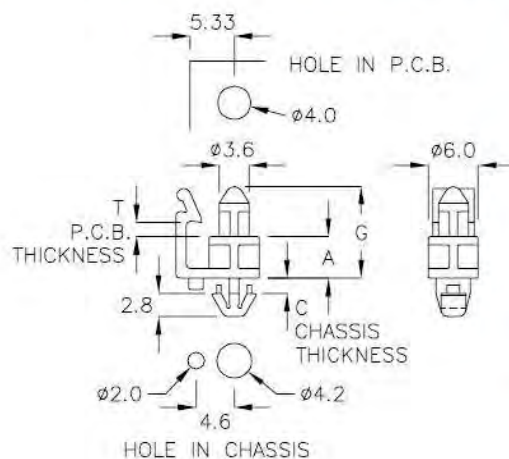


PART NO	A	G	E	T P.C.B. THICKNESS	C CHASSIS THICKNESS	PACKAGE
LMQ-8HR	8.0	10.7	5.3	1.6	1.6	1000



P.C. 板間隔柱 SPACER SUPPORT ———— | **3-119-1** |

- MATERIAL: NYLON 66(UL)
- FLAME CLASS: 94V-2
- COLOR: NATURAL

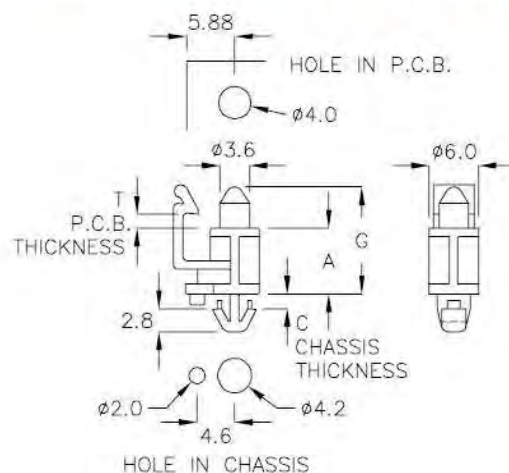


PART NO	A	G	C CHASSIS THICKNESS	T P.C.B. THICKNESS	PACKAGE
LMG-5FH	5.0	11.0	1.6	1.6	2000



P.C. 板間隔柱 SPACER SUPPORT ———— | **3-119-2** |

- MATERIAL: NYLON 66(UL)
- FLAME CLASS: 94V-2
- COLOR: BLACK

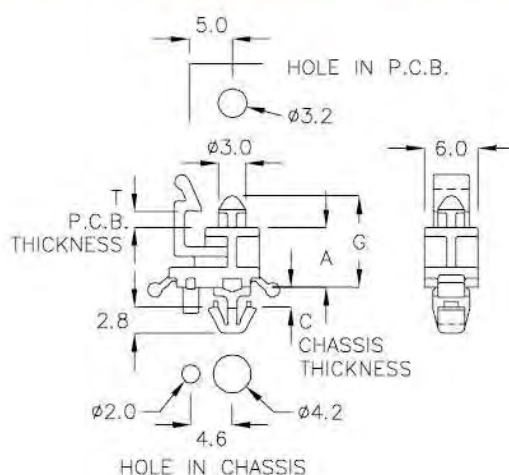


PART NO	A	G	C CHASSIS THICKNESS	T P.C.B. THICKNESS	PACKAGE
LMG-8AT	8.0	13.0	1.6	1.6	1000



P.C. 板間隔柱 SPACER SUPPORT ———— | **3-119-3** |

- MATERIAL: NYLON 66(UL)
- FLAME CLASS: 94V-2
- COLOR: BLACK



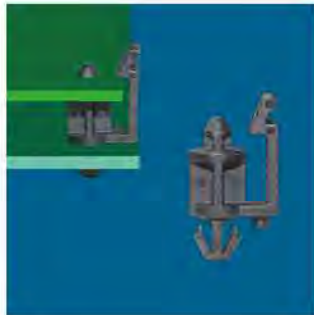
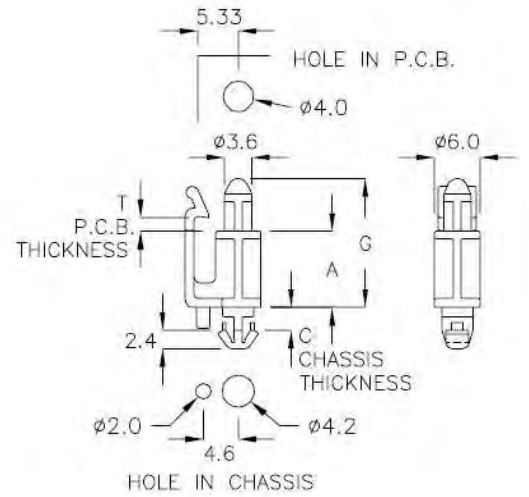
PART NO	A	G	C CHASSIS THICKNESS	T P.C.B. THICKNESS	PACKAGE
LMB-5AC	6.6	10.1	1.7~1.9	1.6	2000



P.C. 板間隔柱 SPACER SUPPORT | 3-120-1 |

- MATERIAL: NYLON 66(UL)
- FLAME CLASS: 94V-2
- COLOR: BLACK

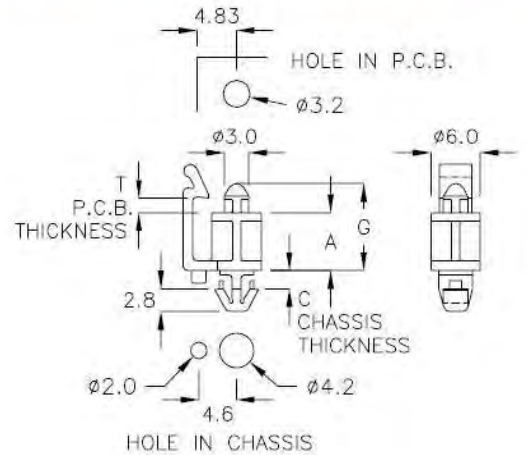
PART NO	A	G	C CHASSIS THICKNESS	T P.C.B. THICKNESS	PACKAGE
LMG-10JK	10.0	16.9	2.6	1.6	1000



P.C. 板間隔柱 SPACER SUPPORT | 3-120-2 |

- MATERIAL: NYLON 66(UL)
- FLAME CLASS: 94V-2
- COLOR: BLACK

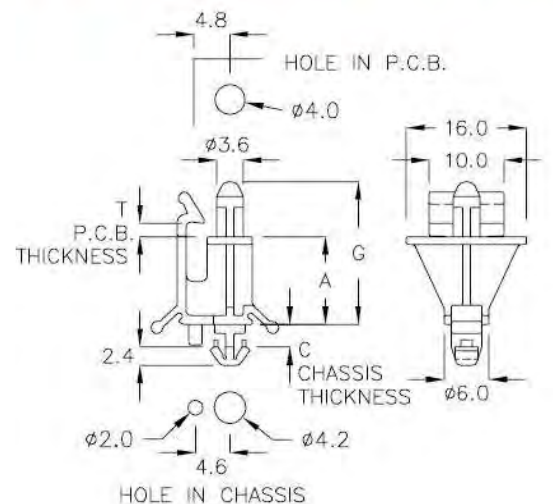
PART NO	A	G	C CHASSIS THICKNESS	T P.C.B. THICKNESS	PACKAGE
LMG-7JK	7.0	10.5	1.93	1.6	1000



P.C. 板間隔柱 SPACER SUPPORT | 3-120-3 |

- MATERIAL: NYLON 66(UL)
- FLAME CLASS: 94V-2
- COLOR: BLACK

PART NO	A	G	C CHASSIS THICKNESS	T P.C.B. THICKNESS	PACKAGE
LMGA-11PS	11.6	18.9	2.6	1.6	1000



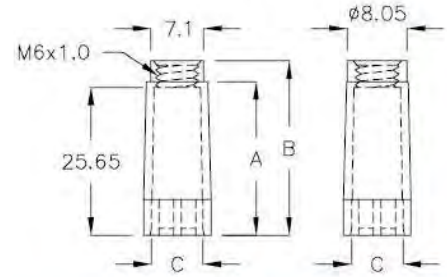
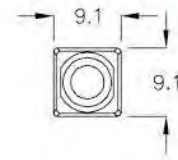


固定座 MOUNT

3-141-1

- MATERIAL: NYLON 66(UL)
- FLAME CLASS: 94V-0
- COLOR: NATURAL

NEW



PART NO	A	B	C	PACKAGE
★ RMT-26A	26.4	29.2	6.94	500

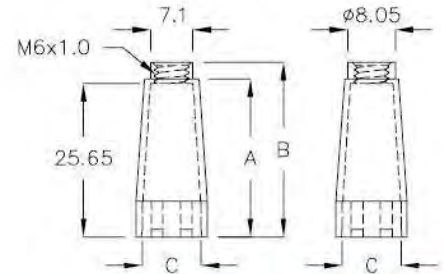
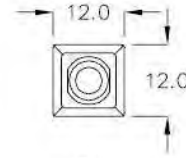


固定座 MOUNT

3-141-2

- MATERIAL: NYLON 66(UL)
- FLAME CLASS: 94V-0
- COLOR: NATURAL

NEW



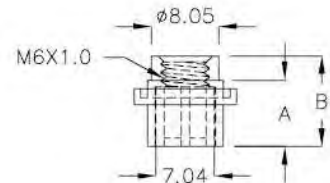
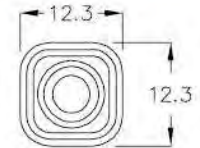
PART NO	A	B	C	PACKAGE
★ RMG-26C	26.4	29.2	9.9	500



固定座 MOUNT

3-141-3

- MATERIAL: NYLON 66(UL)
- FLAME CLASS: 94V-0
- COLOR: NATURAL



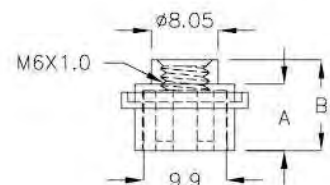
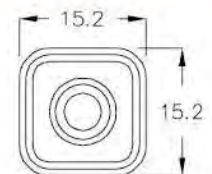
PART NO	A	B	PACKAGE
RMJ-7FS	7.9	10.8	500



固定座 MOUNT

3-141-4

- MATERIAL: NYLON 66(UL)
- FLAME CLASS: 94V-0
- COLOR: NATURAL



PART NO	A	B	PACKAGE
RMK-7WR	7.9	10.8	500

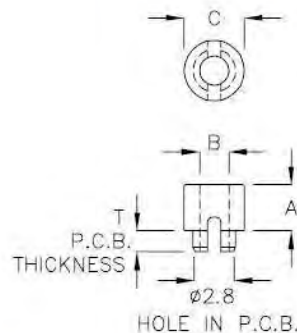


圓體間隔柱 SPACER SUPPORT

3-142-1

- MATERIAL: NYLON 66(UL)
- FLAME CLASS: 94V-0
- COLOR: NATURAL

PART NO	A	B	C	T P.C.B. THICKNESS	PACKAGE
ADW-3T	3.05	ø1.95	ø4.0	1.6	2000

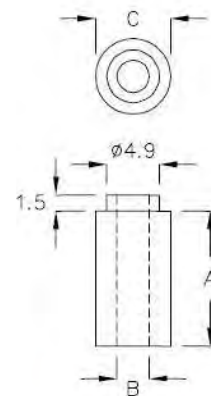


圓體間隔柱 SPACER SUPPORT

3-142-2

- MATERIAL: NYLON 66(UL)
- FLAME CLASS: 94V-2
- COLOR: NATURAL

PART NO	A	B	C	PACKAGE
AD-012	12.0	ø3.0	ø7.0	500
AD-12A	12.5	ø3.2	ø7.0	

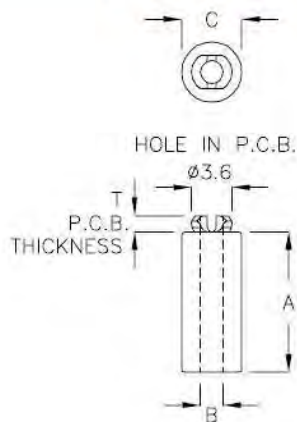


圓體間隔柱 SPACER SUPPORT

3-142-3

- MATERIAL: NYLON 66(UL)
- FLAME CLASS: 94V-2
- COLOR: NATURAL

PART NO	A	B	C	T P.C.B. THICKNESS	PACKAGE
ADK-13	13.0	ø2.1	ø5.6	1.6	1000

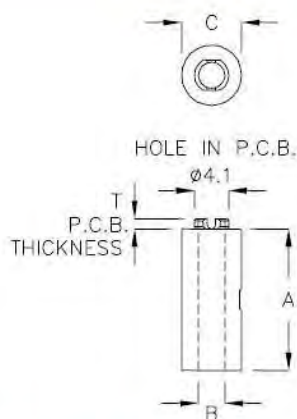


圓體間隔柱 SPACER SUPPORT

3-142-4

- MATERIAL: NYLON 66(UL)
- FLAME CLASS: 94V-2
- COLOR: NATURAL

PART NO	A	B	C	T P.C.B. THICKNESS	PACKAGE
ADH-06C	6.3	ø3.25	ø7.4	1.4~1.6	1000
ADH-17	17.1	ø3.2	ø7.45	1.4~1.6	500
ADH-19T	19.1	ø3.25	ø7.4	1.4~1.6	

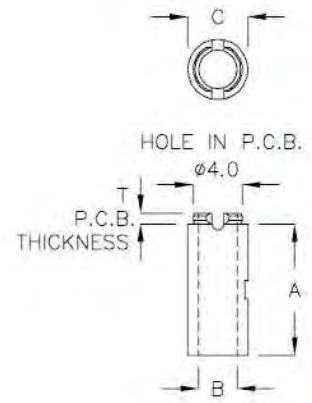




圓體間隔柱 SPACER SUPPORT ———— 3-143-1

- MATERIAL: NYLON 66(UL)
- FLAME CLASS: 94V-2
- COLOR: NATURAL

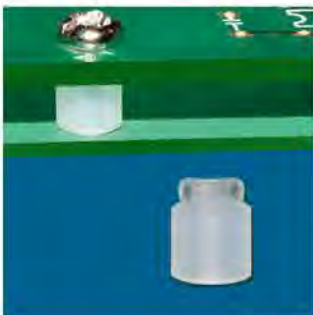
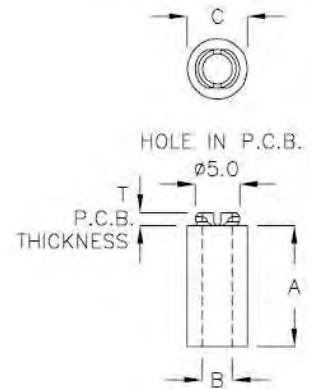
PART NO	A	B	C	T P.C.B. THICKNESS	PACKAGE
ADP-20A	20.0	φ3.2	φ5.0	1.0~1.2	500



圓體間隔柱 SPACER SUPPORT ———— 3-143-2

- MATERIAL: NYLON 66(UL)
- FLAME CLASS: 94V-2
- COLOR: NATURAL

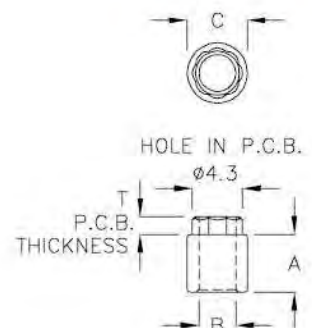
PART NO	A	B	C	T P.C.B. THICKNESS	PACKAGE
ADF-2M	2.5	φ3.5	φ7.0	1.6~1.8	1000
ADF-03	3.0	φ3.5	φ7.0	1.6~1.8	
ADF-3M	3.5	φ3.5	φ7.0	1.6~1.8	
ADF-04	4.0	φ3.5	φ7.0	1.6~1.8	
ADF-4M	4.5	φ3.5	φ7.0	1.6~1.8	
ADF-05	5.0	φ3.5	φ7.0	1.6~1.8	
ADF-5M	5.5	φ3.5	φ7.0	1.6~1.8	
ADF-06	6.0	φ3.5	φ7.0	1.6~1.8	
ADF-6M	6.5	φ3.5	φ7.0	1.6~1.8	
ADF-07	7.0	φ3.5	φ7.0	1.6~1.8	
ADF-7M	7.5	φ3.5	φ7.0	1.6~1.8	
ADF-08	8.0	φ3.5	φ7.0	1.6~1.8	
ADF-8M	8.5	φ3.5	φ7.0	1.6~1.8	
ADF-09	9.0	φ3.5	φ7.0	1.6~1.8	
ADF-10	10.0	φ3.5	φ7.0	1.6~1.8	
ADF-11	11.0	φ3.5	φ7.0	1.6~1.8	
ADF-17RM	17.5	φ3.5	φ7.0	1.6~1.8	500
ADF-22KC	22.0	φ3.5	φ7.0	1.6~1.8	



圓體間隔柱 SPACER SUPPORT ———— 3-143-3

- MATERIAL: NYLON 66(UL)
- FLAME CLASS: 94V-2
- COLOR: NATURAL

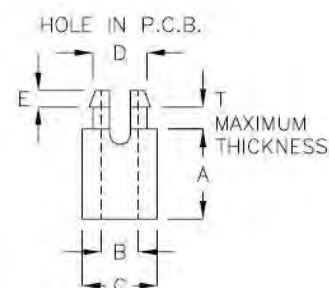
PART NO	A	B	C	T P.C.B. THICKNESS	PACKAGE
ADQ-05	5.0	φ3.2	φ5.2	1.6~1.8	2000





P.C. 板間隔柱 SPACER SUPPORT ———— 3-144-1

- MATERIAL: NYLON 66(UL)
- FLAME CLASS: 94V-2
- COLOR: NATURAL



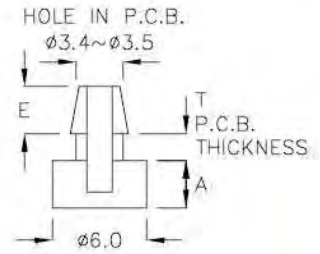
PART NO	A	B	C	D HOLE IN P.C.B.	E	T MAXIMUM THICKNESS	PACKAGE
SRS2-2C	2.0	∅2.1	∅4.0	∅3.0	1.0	1.6	2000
SRS2-2A	2.5	∅2.1	∅4.0	∅3.0	1.0	1.6	
SRS2-2M	2.5	∅2.7	∅5.5	∅4.0	1.5	1.7	
SRS2-3	3.0	∅2.7	∅5.5	∅4.0	1.55	1.7	
SRS2-3GK	3.5	∅2.7	∅5.5	∅4.0	1.4	1.7	
SRS2-4	4.0	∅2.7	∅5.5	∅4.0	1.5	1.7	
SRS2-4AC	4.0	∅2.1	∅4.0	∅3.0	1.0	1.6	
SRS2-4CB	4.5	∅2.7	∅5.5	∅4.0	1.4	1.7	
SRS2-5	5.0	∅2.7	∅5.5	∅4.0	1.5	1.7	
SRS2-5ZM	5.5	∅2.7	∅5.5	∅4.0	1.4	1.7	
SRS2-6	6.0	∅2.7	∅5.5	∅4.0	1.5	1.7	
SRS2-6A	6.35	∅2.25	∅4.54	∅3.55	1.0	1.1	
SRS2-8	8.0	∅2.7	∅5.5	∅4.0	1.4	1.6	
SRS2-15	15.0	∅3.1	∅5.5	∅4.0	1.55	1.6	500
★ SRS3-2MA	2.0	∅3.2	∅6.4	∅4.8	1.5	1.2	2000
SRS3-3S	2.7	∅3.2	∅6.5	∅4.8	1.6	1.7	
SRS3-3A	3.0	∅2.8	∅5.5	∅4.0	1.4	1.6	
SRS3-3M	3.0	∅3.2	∅6.5	∅4.8	1.7	1.7	
SRS3-3	3.5	∅3.2	∅6.4	∅4.8	1.4	1.7	
SRS3-4	4.0	∅3.2	∅6.5	∅4.8	1.65	1.7	
SRS3-4A	4.5	∅3.4	∅6.5	∅4.8	1.8	1.6	
SRS3-5	5.0	∅3.2	∅6.5	∅4.8	1.6	1.7	
SRS3-6S	6.1	∅3.2	∅6.5	∅4.8	1.6	1.7	1000
SRS3-6	6.5	∅3.2	∅6.4	∅4.8	1.6	1.7	
SRS3-7S	7.0	∅3.2	∅6.5	∅4.8	1.6	1.7	
SRS3-7F	7.4	∅3.2	∅6.5	∅4.8	1.7	1.7	
SRS3-7	7.7	∅3.2	∅6.5	∅4.8	1.7	1.7	
SRS3-8	8.0	∅3.2	∅6.5	∅4.8	1.6	1.7	
SRS3-9	9.0	∅3.2	∅6.5	∅4.8	1.8	1.7	
SRS3-10M	10.5	∅3.15	∅6.5	∅4.8	1.6	1.7	500
SRS3-12A	12.7	∅3.2	∅6.5	∅4.8	1.6	1.7	
SRS3-14	14.2	∅3.2	∅6.5	∅4.8	1.7	1.7	1000
SRS4-6	6.4	∅3.9	∅6.9	∅6.0	1.6	1.7	1000
SRS4-12S	12.0	∅3.9	∅6.9	∅6.0	1.6	1.7	500
SRS4-12	12.7	∅3.9	∅6.9	∅6.0	1.7	1.7	



P.C. 板間隔柱 SPACER SUPPORT ————— | 3-145-1 |

- MATERIAL: NYLON 66(UL)
- FLAME CLASS: 94V-2
- COLOR: NATURAL

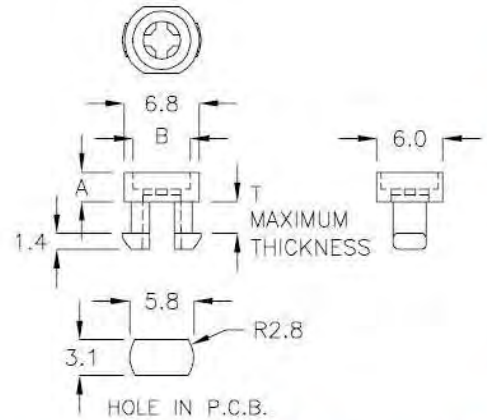
PART NO	A	E	T P.C.B. THICKNESS	PACKAGE
PCBS-3	3.0	3.0	1.4~1.6	2000
PCBS-3M	3.5	3.0	1.4~1.6	
PCBS-4	4.0	3.0	1.4~1.6	
PCBS-4M	4.5	3.0	1.4~1.6	
PCBS-5	5.0	3.0	1.4~1.6	



P.C. 板間隔柱 SPACER SUPPORT ————— | 3-145-2 |

- MATERIAL: NYLON 66(UL)
- FLAME CLASS: 94V-2
- COLOR: NATURAL

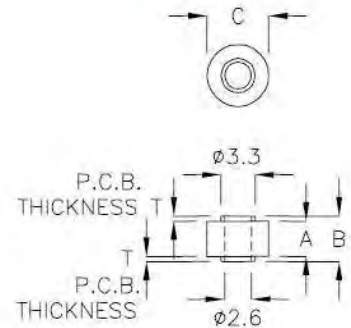
PART NO	A	B	T MAXIMUM THICKNESS	PACKAGE
SSR-2A	2.65	$\phi 5.2$	2.6	2000



圓體間隔柱 SPACER SUPPORT ————— | 3-145-3 |

- MATERIAL: NYLON 66(UL)
- FLAME CLASS: 94V-2
- COLOR: NATURAL

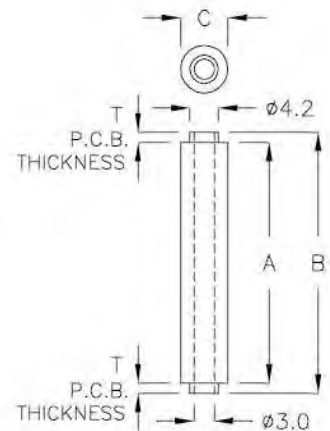
PART NO	A	B	C	T P.C.B. THICKNESS	PACKAGE
ADJ-2CH	2.9	3.9	$\phi 6.0$	0.8~1.6	2000
ADJ-3FQ	3.4	4.4	$\phi 6.0$	0.8~1.6	

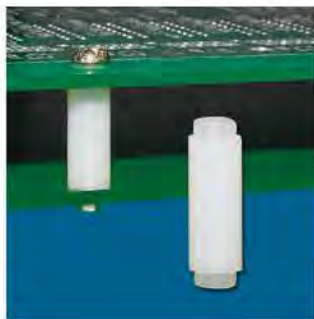


圓體間隔柱 SPACER SUPPORT ————— | 3-145-4 |

- MATERIAL: NYLON 66(UL)
- FLAME CLASS: 94V-0
- COLOR: NATURAL

PART NO	A	B	C	T P.C.B. THICKNESS	PACKAGE
AD-35A	35.4	38.4	$\phi 7.0$	1.6~1.8	500



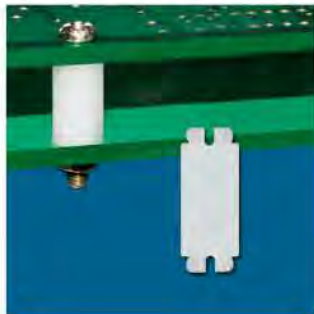
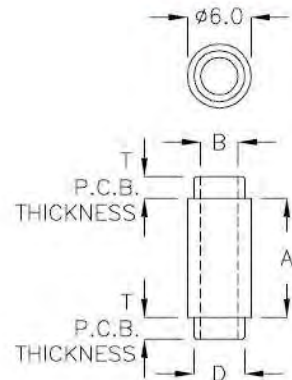


圓體間隔柱 SPACER SUPPORT

3-146-1

- MATERIAL: NYLON 66(UL)
- FLAME CLASS: 94V-2
- COLOR: NATURAL

PART NO	A	B	D	T P.C.B. THICKNESS	PACKAGE
ADA-15	15.0	∅3.5	∅4.8	2.2~2.4	1000

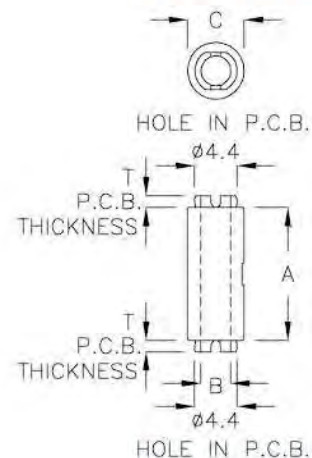


圓體間隔柱 SPACER SUPPORT

3-146-2

- MATERIAL: NYLON 66(UL)
- FLAME CLASS: 94V-2
- COLOR: NATURAL

PART NO	A	B	C	T P.C.B. THICKNESS	PACKAGE
ADHM-14	14.0	∅3.2	∅6.0	1.4~1.6	500

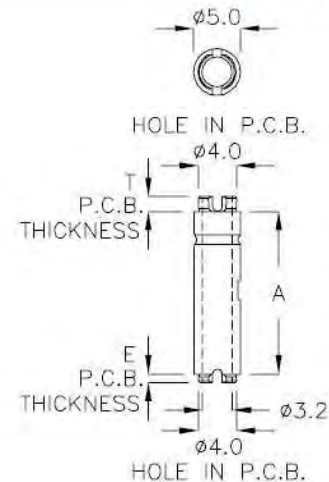


圓體間隔柱 SPACER SUPPORT

3-146-3

- MATERIAL: NYLON 66(UL)
- FLAME CLASS: 94V-2
- COLOR: NATURAL

PART NO	A	T P.C.B. THICKNESS	E P.C.B. THICKNESS	PACKAGE
ADM-20A	20.0	1.8~2.0	1.0~1.2	500

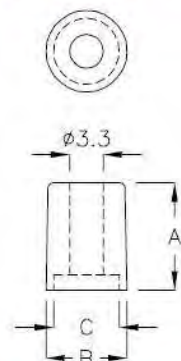


P.C. 板間隔柱 SPACER SUPPORT

3-146-4

- MATERIAL: NYLON 66(UL)
- FLAME CLASS: 94V-2
- COLOR: NATURAL

PART NO	A	B	C	PACKAGE
SH-10	10.5	∅8.0	∅6.5	1000

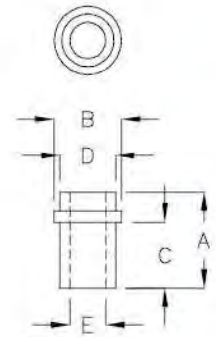




絕緣套 BUSHING

3-147-1

- MATERIAL: NYLON 66(UL)
- FLAME CLASS: 94V-2
- COLOR: NATURAL



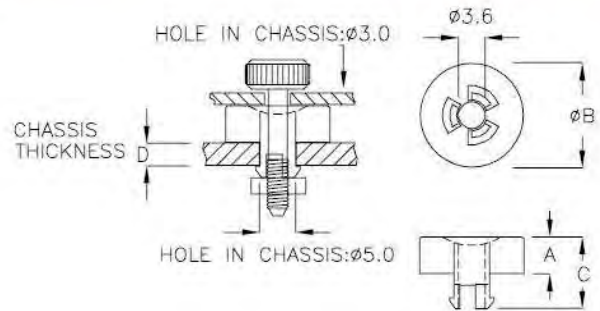
PART NO	A	B	C	D	E	PACKAGE
SH-12A	12.7	∅9.0	8.7	∅7.4	∅4.8	1000



P.C. 板間隔柱 SPACER SUPPORT

3-147-2

- MATERIAL: NYLON 66(UL)
- FLAME CLASS: 94V-2
- COLOR: NATURAL
- USE M3 SCREW



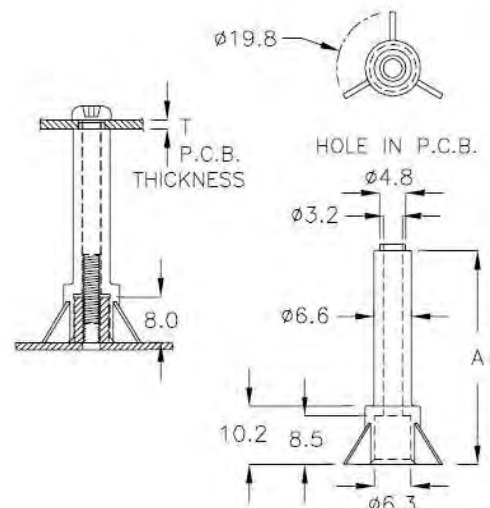
PART NO	A	B	C	D CHASSIS THICKNESS	PACKAGE
MHT-05	5.0	14.0	10.2	3.2~3.4	1000
MHT-5A	5.0	14.0	9.6	2.8~3.0	



P.C. 板間隔柱 SPACER SUPPORT

3-147-3

- MATERIAL: NYLON 66(UL)
- FLAME CLASS: 94V-2
- COLOR: NATURAL

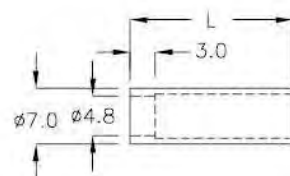
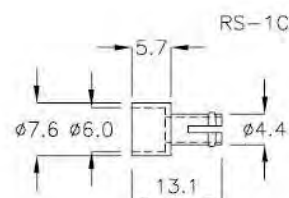
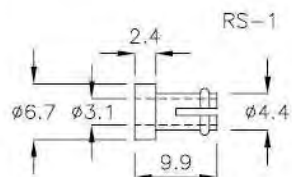
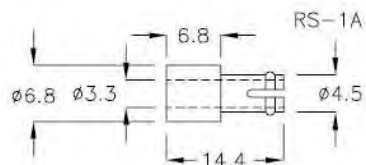


PART NO	A	T P.C.B. THICKNESS	PACKAGE
ADGF-38C	37.5	0.8~1.0	200



P.C. 板間隔柱 SPACER SUPPORT ———— 3-148-1

- MATERIAL: NYLON 66(UL)
- FLAME CLASS: 94V-2
- COLOR: NATURAL
- USE M3 SCREW
- P.C.B MAX THICKNESS: 2.4mm

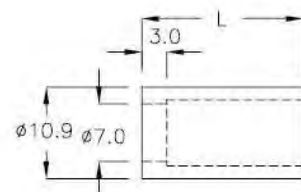
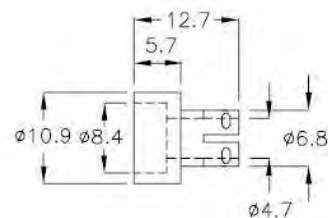


PART NO	L	HOLE IN P.C.B	HOLE IN CHASSIS	PACKAGE
RS-1	RS-57	6.0	ø5.0	ø3.5
	RS-78	7.8		
RS-1A	RS-105	10.5	ø5.0	ø3.5
	RS-145	14.5		
	RS-160	16.0		
RS-1C	RS-180	18.4	ø5.0	ø3.5
	RS-215	21.5		
	RS-280	28.2	ø5.0	ø3.5



P.C. 板間隔柱 SPACER SUPPORT ———— 3-148-2

- MATERIAL: ABS
- FLAME CLASS: 94HB
- COLOR: NATURAL
- USE M4 SCREW
- P.C.B MAX THICKNESS: 2.0mm



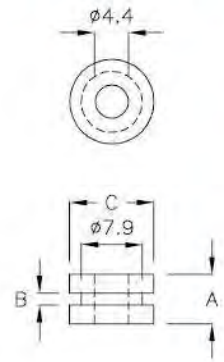
PART NO	L	HOLE IN P.C.B	HOLE IN CHASSIS	PACKAGE
RL-1	RL-6S	5.7	ø7.2	ø4.5
	RL-10	10.0		
	RL-15	15.2	ø7.2	ø4.5
	RL-20	20.2		
	RL-25	25.2		



圓體間隔柱 SPACER SUPPORT ———— | **3-149-1** |

- MATERIAL: PC(UL)
- FLAME CLASS: 94V-2
- COLOR: CLEAR

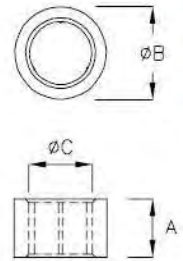
PART NO	A	B	C	PACKAGE
RS-2	5.0	1.6	ø11.0	500



圓體間隔柱 SPACER SUPPORT ———— | **3-149-2** |

- MATERIAL: NYLON 66(UL)
- FLAME CLASS: 94V-2
- COLOR: NATURAL

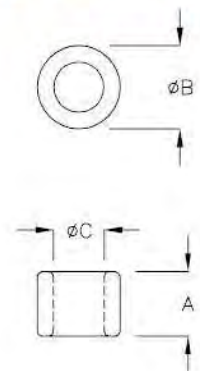
PART NO	A	B	C	PACKAGE
505-3L	5.0	8.0	5.45	2000



圓體間隔柱 SPACER SUPPORT ———— | **3-149-3** |

- MATERIAL: NYLON 66(UL)
- FLAME CLASS: 94V-2
- COLOR: NATURAL

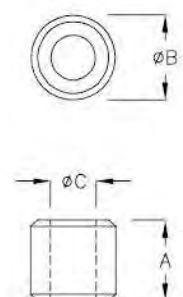
PART NO	A	B	C	PACKAGE
403QP	3.8	5.8	4.3	2000
6310A	10.8	12.4	6.3	1000



圓體間隔柱 SPACER SUPPORT ———— | **3-149-4** |

- MATERIAL: NYLON 66(UL)
- FLAME CLASS: 94V-2
- COLOR: NATURAL

PART NO	A	B	C	PACKAGE
509A	9.0	9.5	5.1	1000
304K	4.0	5.0	3.15	2000



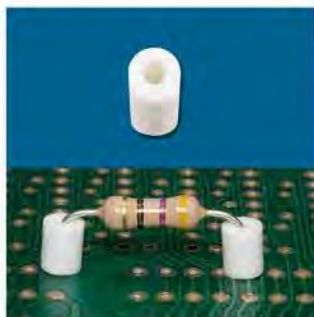
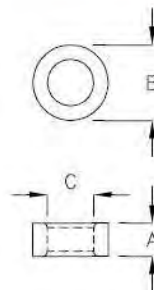


圓體間隔柱 SPACER SUPPORT

3-150-1

- MATERIAL: NYLON 66(UL)
- FLAME CLASS: 94V-2
- COLOR: NATURAL, BLACK

PART NO	A	B	C	PACKAGE
403C	3.5	ø8.0	ø4.9	2000

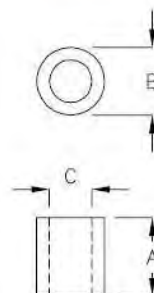


零件墊片 COMPONENT PAD

3-150-2

- MATERIAL: CERAMICS
- COLOR: NATURAL

PART NO	A	B	C	PACKAGE
103C	3.0	ø4.5	ø1.8	2000
103DC	3.1	ø2.5	ø1.1	
104C	4.5	ø4.5	ø1.8	
104MC	4.5	ø3.6	ø1.2	
109C	9.0	ø4.5	ø1.8	
109DC	9.0	ø3.8	ø1.0	
115MC	15.4	ø4.1	ø1.9	

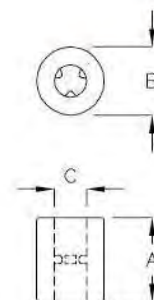


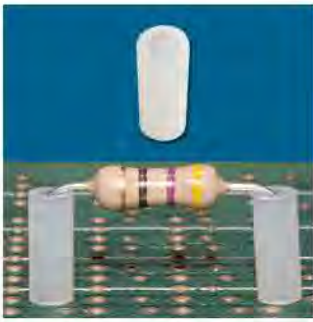
零件墊片 COMPONENT PAD

3-150-3

- MATERIAL: NYLON 66(UL)
- FLAME CLASS: 94V-2
- COLOR: NATURAL

PART NO	A	B	C	PACKAGE
KWT-103	3.1	ø2.5	ø1.0	2000
KWT-103GH	3.1	ø2.5	ø1.2	

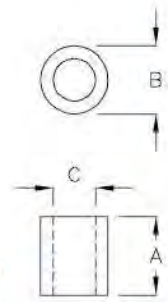




零件墊片 COMPONENT PAD

3-151-1

- MATERIAL: NYLON 66(UL)
- FLAME CLASS: 94V-2
- MATERIAL: PBT(UL), ABS(UL)
- FLAME CLASS: 94V-0
- COLOR: NATURAL



PART NO	MATERIAL	A	B	C	PACKAGE
101A	N66	1.1	ø3.0	ø1.7	2000
101CR	N66	1.6	ø2.2	ø0.7	
101DC	N66	1.6	ø3.2	ø0.8	
101MT	N66	1.6	ø3.2	ø1.2	
102F	N66	2.0	ø3.0	ø1.5	
102JK	N66	2.4	ø3.5	ø1.8	
102-H	PBT	2.5	ø3.2	ø1.5	
103AF	N66	3.0	ø2.5	ø1.5	
103S	N66/PBT	3.0	ø3.5	ø1.4	
103K	ABS	3.1	ø2.2	ø0.8	
103MR	N66	3.2	ø2.2	ø0.8	
103TD	N66	3.2	ø3.2	ø1.2	
103M	N66	3.5	ø4.5	ø1.6	
103	N66	3.6	ø3.5	ø1.4	
104	N66	4.2	ø4.5	ø1.4	
104M	N66	4.5	ø4.5	ø1.6	

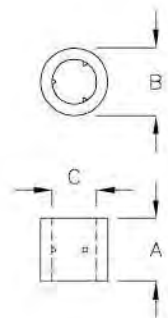
PART NO	MATERIAL	A	B	C	PACKAGE
104AD	N66	4.8	ø2.2	ø0.8	2000
104CF	N66	4.8	ø3.2	ø1.2	
104A	N66+FRP	5.0	ø4.0	ø1.4	
105A	N66	5.0	ø3.0	ø1.4	
105	N66	5.0	ø4.5	ø1.6	
105M	N66	5.5	ø4.5	ø1.6	
106	N66/PBT	6.0	ø4.4	ø1.6	
106GK	N66	6.4	ø3.2	ø1.2	
106HJ	N66	6.4	ø4.0	ø1.2	
107	N66/PBT	7.0	ø4.4	ø1.6	
108BH	N66	7.9	ø3.2	ø1.2	
108GL	N66	7.9	ø4.0	ø1.2	
108A	N66	8.0	ø3.2	ø1.6	
108	N66	8.0	ø4.5	ø1.4	
109CM	N66	9.5	ø3.2	ø1.2	
112NP	N66	12.7	ø3.2	ø1.2	



圓體間隔柱 SPACER SUPPORT

3-151-2

- MATERIAL: NYLON 66(UL)
- FLAME CLASS: 94V-2
- COLOR: NATURAL



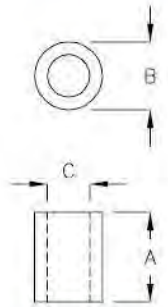
PART NO	A	B	C	USE SCREW	PACKAGE
KWT-302	2.0	ø5.0	ø3.3	M3	2000
KWT-305	5.0	ø5.0	ø3.3		
KWT-306	6.0	ø5.0	ø3.3		
KWT-308	8.0	ø5.0	ø3.3		
KWT-310	10.0	ø5.0	ø3.3		
KWT-311	11.0	ø5.0	ø3.3		
KWT-405	5.0	ø6.5	ø4.3	M4	
KWT-406	6.0	ø6.5	ø4.3		
KWT-408	8.0	ø6.5	ø4.3		
KWT-410	10.0	ø6.5	ø4.3		
KWT-412	12.0	ø6.5	ø4.3		
KWT-414	14.0	ø6.5	ø4.3		
KWT-416	16.0	ø6.5	ø4.3		



圓體間隔柱 SPACER SUPPORT

3-152-1

- MATERIAL: NYLON 66(UL)
- FLAME CLASS: 94V-2
- COLOR: NATURAL



PART NO	A	B	C	PACKAGE
201	1.0	ø3.7	ø2.2	2000
201A	1.5	ø3.7	ø2.2	
201KG	1.6	ø2.2	ø0.8	
201JM	1.6	ø3.6	ø2.2	
201FN	1.6	ø4.2	ø2.7	
201C	1.8	ø3.7	ø2.2	
201D	1.9	ø3.0	ø2.0	
202	2.0	ø4.5	ø2.5	
202C	2.0	ø3.7	ø2.2	
202F	2.6	ø4.6	ø2.7	
202A	2.5	ø3.7	ø2.2	
203	3.0	ø4.5	ø2.5	
203A	3.0	ø3.5	ø2.2	
203C	3.0	ø3.7	ø2.2	
203EG	3.2	ø3.2	ø2.3	
203KJ	3.2	ø3.6	ø2.2	
203BU	3.2	ø4.2	ø2.7	
203M	3.5	ø4.5	ø2.5	
203D	3.7	ø4.5	ø2.5	
204	4.0	ø4.5	ø2.5	
204KT	4.0	ø4.7	ø2.7	
204A	4.1	ø3.6	ø2.2	
204M	4.5	ø4.5	ø2.5	
204FP	4.8	ø3.2	ø2.3	
204GN	4.8	ø3.6	ø2.2	
204NJ	4.8	ø4.2	ø2.7	
205	5.0	ø4.5	ø2.5	
205C	5.5	ø4.5	ø2.5	
206	6.0	ø4.5	ø2.5	
206BQ	6.4	ø3.2	ø2.3	
206AP	6.4	ø3.6	ø2.2	
206DN	6.4	ø4.2	ø2.7	
206CH	6.4	ø4.8	ø2.3	
206M	6.5	ø4.5	ø2.5	
206F	6.6	ø4.8	ø2.8	
207	7.0	ø4.8	ø2.3	
207A	7.0	ø3.7	ø2.2	
207C	7.5	ø3.7	ø2.3	

PART NO	A	B	C	PACKAGE	
208FJ	7.9	ø3.6	ø2.2	2000	
208	8.0	ø4.5	ø2.5		
208C	8.5	ø4.5	ø2.5		
209	9.0	ø4.5	ø2.5		
209AQ	9.5	ø3.6	ø2.2		
209C	9.5	ø4.5	ø2.5		
210	10.0	ø4.5	ø2.5		
211	11.0	ø3.7	ø2.2		
301PW	1.5	ø5.0	ø3.1		2000
301NL	1.6	ø4.8	ø3.2		
301BR	1.6	ø6.4	ø3.2		
301GS	1.6	ø6.4	ø3.7		
302A	2.0	ø6.0	ø3.0		
302C	2.0	ø6.5	ø3.1		
302B	2.5	ø5.0	ø3.1		
302DK	2.0	ø8.0	ø3.5		
302JY	2.5	ø8.0	ø3.2		
303	3.3	ø5.0	ø3.1		
303A	3.0	ø6.0	ø3.1		
303C	3.5	ø5.7	ø3.1		
303D	3.0	ø5.0	ø3.1		
303F	2.6	ø8.0	ø3.5		
303H	3.0	ø6.3	ø3.2		
303Q	2.8	ø6.3	ø3.2		
303DQ	3.2	ø4.8	ø3.2		
303HP	3.2	ø6.4	ø3.2		
303YF	3.2	ø6.4	ø3.7		
303RP	3.8	ø5.2	ø3.7		
303S	3.5	ø4.0	ø3.0	2000	
304A	4.0	ø5.0	ø3.2		
304	4.2	ø5.0	ø3.1		
304C	4.5	ø6.0	ø3.2		
304PR	4.8	ø4.8	ø3.2		
304HX	4.8	ø6.4	ø3.2		
304JS	4.8	ø6.4	ø3.7		
305	5.0	ø5.0	ø3.1		
305A	5.0	ø8.0	ø3.1		
305C	5.5	ø5.0	ø3.0		
305DM	5.9	ø5.7	ø3.7		

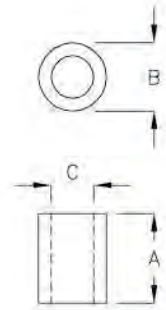
PART NO	A	B	C	PACKAGE	
306	6.1	ø5.0	ø3.1	2000	
306A	6.3	ø6.5	ø3.9		
306XF	6.4	ø4.8	ø3.2		
306KY	6.4	ø6.4	ø3.2		
306QS	6.4	ø6.4	ø3.7		
306M	6.5	ø5.0	ø3.1		
306SK	6.0	ø8.0	ø3.3		
307	7.0	ø5.0	ø3.1		
307A	7.5	ø5.0	ø3.1		
307B	7.5	ø3.9	ø3.1		
308CW	7.9	ø6.4	ø3.2		
308FR	7.9	ø6.4	ø3.7		
308LT	7.9	ø4.8	ø3.2		
308	8.1	ø5.0	ø3.1		
308C	8.4	ø6.5	ø3.9		
308M	8.5	ø5.0	ø3.1		
308A	8.7	ø5.0	ø3.1		
309A	9.0	ø5.0	ø3.1		
309	9.2	ø5.0	ø3.1		
309MS	9.5	ø4.8	ø3.2		
309PT	9.5	ø6.4	ø3.7		
309C	9.6	ø7.5	ø3.5		
310	10.1	ø5.0	ø3.1	1000	
311	11.0	ø5.0	ø3.1		
311MH	11.1	ø4.8	ø3.2		
311BN	11.1	ø6.4	ø3.2		
312A	12.0	ø5.0	ø3.2		
312	12.3	ø5.0	ø3.1		
313	13.0	ø5.0	ø3.1		
314	14.0	ø5.0	ø3.1		
315	15.0	ø5.0	ø3.1		
316	16.0	ø5.0	ø3.1		
317	17.0	ø5.0	ø3.1		
318	18.3	ø5.0	ø3.1		
319	19.0	ø5.0	ø3.1		
320	20.0	ø5.0	ø3.1		
324	24.0	ø5.0	ø3.1		
331	31.0	ø5.0	ø3.1		500
338	38.0	ø5.9	ø3.1		



圓體間隔柱 SPACER SUPPORT

3-153-1

- MATERIAL: NYLON 66(UL)
- FLAME CLASS: 94V-2
- COLOR: NATURAL



PART NO	A	B	C	PACKAGE
401AF	1.6	ø6.4	ø4.3	2000
402	2.0	ø6.5	ø4.0	
402A	2.5	ø6.5	ø4.0	
402TK	2.5	ø8.0	ø4.0	
403	3.0	ø6.5	ø4.0	
403DG	3.2	ø6.4	ø4.3	
403A	3.5	ø5.9	ø4.6	
403RL	3.5	ø8.0	ø4.5	
404C	4.0	ø6.5	ø3.5	
404	4.0	ø6.5	ø4.0	
405A	4.5	ø10.7	ø4.3	1000
405MQ	4.8	ø6.4	ø4.3	2000
405	5.2	ø6.5	ø3.9	
406	6.0	ø6.5	ø4.1	
406B	6.1	ø6.5	ø4.4	
406SR	6.4	ø6.4	ø4.3	
406A	6.4	ø6.5	ø4.1	
406D	6.4	ø10.0	ø4.5	
407	7.2	ø6.5	ø4.0	
407C	7.5	ø6.5	ø4.1	
408QF	7.9	ø6.4	ø4.3	
408L	8.0	ø7.4	ø4.5	
408	8.1	ø6.5	ø4.0	
408H	8.5	ø6.5	ø4.1	
409	9.1	ø6.5	ø3.9	
409C	9.5	ø6.5	ø4.1	
410	10.0	ø6.5	ø4.1	1000
411	11.0	ø6.5	ø4.1	
411TP	11.1	ø6.4	ø4.3	
412	12.0	ø6.3	ø4.2	
413	13.0	ø6.5	ø4.1	
414	14.0	ø8.0	ø4.2	
415	15.0	ø6.5	ø4.1	
416A	16.8	ø6.3	ø4.2	
417	17.1	ø6.3	ø4.2	
420	20.0	ø8.0	ø4.2	
421	21.0	ø8.0	ø4.0	
422A	22.23	ø8.0	ø4.93	500
425A	25.4	ø6.3	ø4.3	

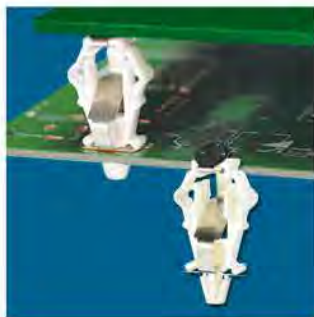
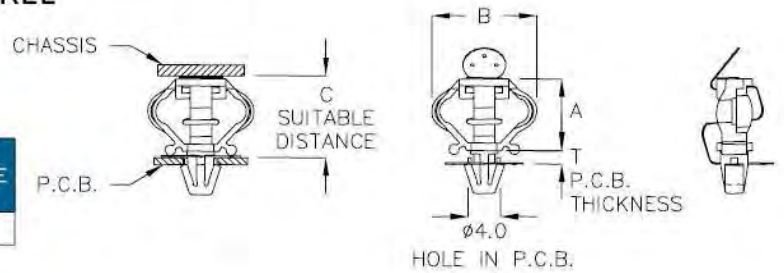
PART NO	A	B	C	PACKAGE
427A	27.5	ø6.5	ø4.1	500
428	28.0	ø6.5	ø4.1	
428A	28.7	ø6.5	ø4.1	
433A	33.5	ø8.0	ø4.3	2000
503	3.0	ø7.0	ø5.0	
503A	3.2	ø9.5	ø4.9	
505	5.0	ø8.0	ø5.3	
506	6.0	ø7.0	ø5.3	1000
507	7.0	ø7.95	ø4.95	
508	7.9	ø7.0	ø5.4	
508A	8.0	ø10.0	ø5.6	
509	9.0	ø7.0	ø5.3	
510A	9.35	ø10.0	ø5.4	
509M	9.6	ø8.0	ø5.0	500
510	10.0	ø7.0	ø5.3	
516	16.0	ø7.0	ø5.3	
525	25.0	ø8.0	ø5.1	
527A	27.5	ø7.0	ø5.5	1000
530	30.0	ø8.0	ø5.1	
612	12.6	ø6.5	ø3.8	
614	14.2	ø6.5	ø3.7	200
617	17.0	ø10.0	ø6.2	
6305	5.0	ø8.5	ø6.3	
6305A	5.5	ø7.3	ø6.3	
6305PH	5.0	ø11.0	ø6.3	1000
6315CX	15.0	ø11.0	ø6.3	
7732FC	32.0	ø11.3	ø7.7	
8305RT	5.0	ø13.0	ø8.3	200
8315DK	15.0	ø13.0	ø8.3	
8507	6.9	ø10.5	ø8.5	1000
9634C	33.3	ø18.7	ø9.3	
51-080	8.0	ø8.0	ø5.1	
57-065	6.5	ø13.0	ø5.7	
64-072	7.2	ø7.65	ø6.4	
65-100	10.0	ø10.0	ø6.5	
70-080	8.0	ø10.0	ø7.0	
70-110	11.0	ø10.0	ø7.0	
75-130	13.0	ø10.5	ø7.5	
82-080	8.0	ø10.6	ø8.2	



導電板間隔柱 CONDUCTIVE SUPPORT — 3-154-1

- MATERIAL: NYLON 66(UL)
- FLAME CLASS: 94V-2
- COLOR: NATURAL
- MATERIAL: PHOSPHOR BRONZE
- PLATING: NICKEL

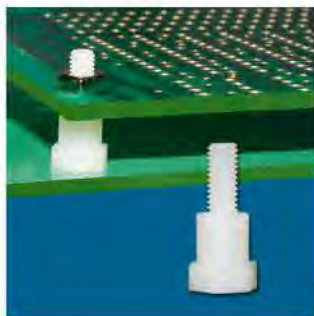
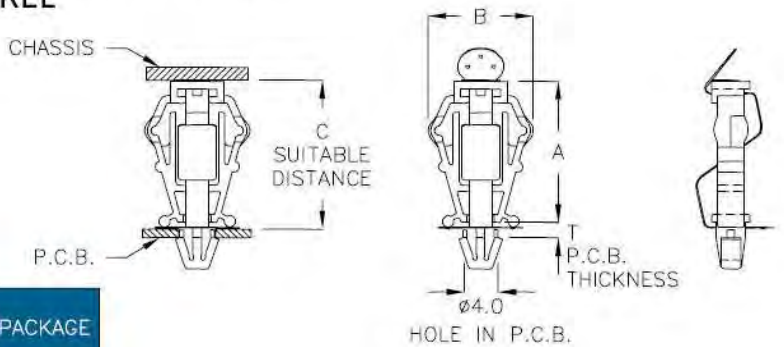
PART NO	A	B	T P.C.B. THICKNESS	C SUITABLE DISTANCE	PACKAGE
CQA-10	10.0	14.8	1.2~1.6	7.0~9.0	1000



導電板間隔柱 CONDUCTIVE SUPPORT — 3-154-2

- MATERIAL: NYLON 66(UL)
- FLAME CLASS: 94V-2
- COLOR: NATURAL
- MATERIAL: PHOSPHOR BRONZE
- PLATING: NICKEL

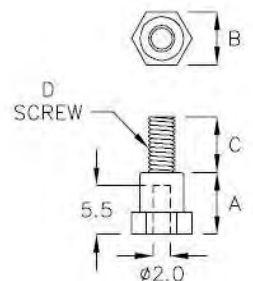
PART NO	A	B	T P.C.B. THICKNESS	C SUITABLE DISTANCE	PACKAGE
CQA-14DS	14.5	13.7	1.2~1.4	13.0~14.3	1000
CQA-18K	18.25	13.7	1.2~1.4	18.0~18.3	

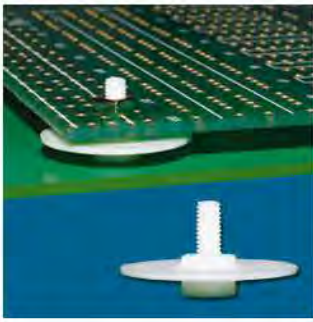


P.C. 板間隔柱 SPACER SUPPORT — 3-154-3

- MATERIAL: NYLON 66(UL)
- FLAME CLASS: 94V-2
- COLOR: NATURAL
- USE M2.5 TAPPING SCREW

PART NO	A	B	C	D SCREW	PACKAGE
SQ-10A	7.0	6.0	6.3	M3	1000

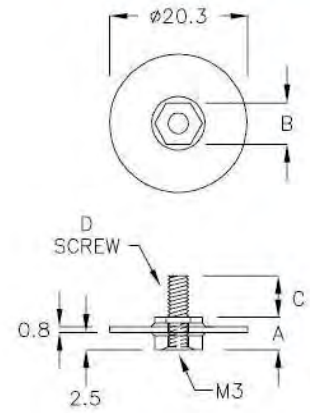




P.C. 板間隔柱 SPACER SUPPORT ———— | 3-155-1 |

- MATERIAL: NYLON 66(UL)
- FLAME CLASS: 94V-2
- COLOR: NATURAL

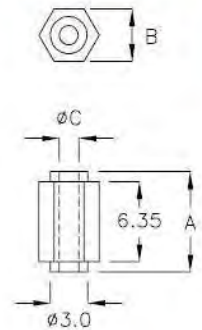
PART NO	A	B	C	D	PACKAGE
TAH-05	4.7	6.0	6.0	M3	500



六角型間隔柱 SPACER SUPPORT ———— | 3-155-2 |

- MATERIAL: NYLON 66(UL)
- FLAME CLASS: 94V-2
- COLOR: NATURAL
- USE M2 TAPPING SCREW

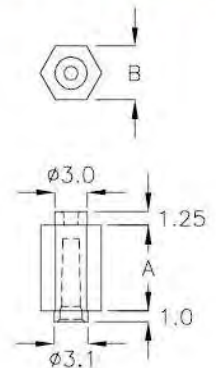
PART NO	A	B	C	PACKAGE
HHB-06D	7.95	4.15	∅1.6	1000



六角型間隔柱 SPACER SUPPORT ———— | 3-155-3 |

- MATERIAL: NYLON 66(UL)
- FLAME CLASS: 94V-2
- COLOR: NATURAL
- USE M2x5.5 SCREW

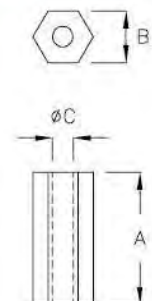
PART NO	A	B	PACKAGE
HHJ-8KC	7.95	5.0	1000



六角型間隔柱 SPACER SUPPORT ———— | 3-155-4 |

- MATERIAL: NYLON 66(UL)
- FLAME CLASS: 94V-2
- COLOR: NATURAL
- USE M3 TAPPING SCREW

PART NO	A	B	C	PACKAGE
HWH-04	4.0	5.5	2.5	1000
HWH-10	10.0	4.5	2.45	

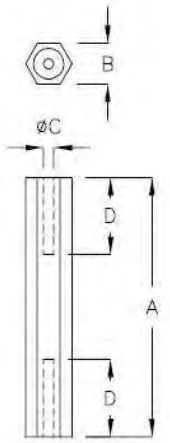




六角型間隔柱 SPACER SUPPORT ———— | 3-156-1 |

- MATERIAL: NYLON 66(UL)
- FLAME CLASS: 94V-2
- COLOR: NATURAL
- USE M3 TAPPING SCREW

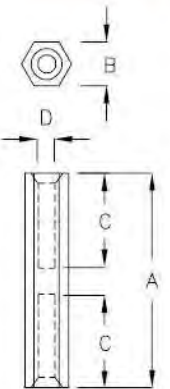
PART NO	A	B	C	D	PACKAGE
H-57	57.8	5.9	2.5	10.0	200
H-65	65.5	5.6	2.6	14.9	
H-105	105	9.9	2.6	14.6	100
H-140	139.5	9.9	2.6	14.6	



六角型間隔柱 SPACER SUPPORT ———— | 3-156-2 |

- MATERIAL: NYLON 66(UL)
- FLAME CLASS: 94V-2
- COLOR: NATURAL
- USE M3 TAPPING SCREW

PART NO	A	B	C	D	PACKAGE
H-32	32.0	5.5	14.0	$\phi 2.6$	500
H-49	49.0	5.5	15.0		200

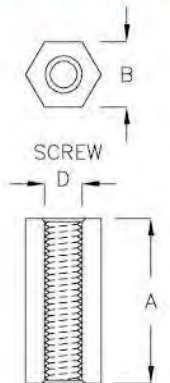


六角型間隔柱 SPACER SUPPORT ———— | 3-156-3 |

- MATERIAL: NYLON 66(UL)
- FLAME CLASS: 94V-2
- COLOR: NATURAL
- OPTIONAL MATERIAL: POM (94HB FLAMMABILITY)

PART NO	A	B	D	PACKAGE
H2M-6	6.0	4.9	M2.6	1000
H-5KC	5.0	5.4	M3	2000
H-6S	6.0	5.5	M3	1000
H-6	6.45	5.5		
H-7	7.0	5.5		
H-8	8.0	5.5		
H-9	9.1	5.5		
H-10S	10.0	5.5		
H-10	10.6	5.5		
H-11	11.2	5.5		
H-12	12.2	5.5		
H-13	12.8	5.5		
H-14	14.2	5.5		

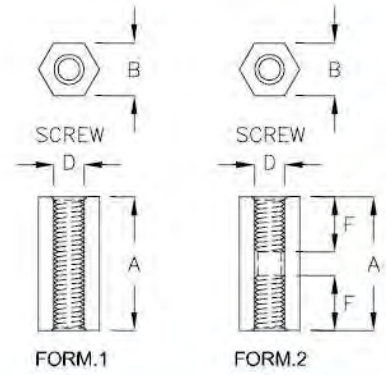
PART NO	A	B	D	PACKAGE
H-15	15.0	5.5	M3	1000
H-16	16.0	5.5		
H-17	17.1	5.5		
H-18	18.2	5.5		
H-20	20.0	5.5		
H-22	22.3	5.5		
H-24	24.0	5.5	M3	500
H-25	25.1	5.5		
H-26	26.0	5.5		
H-28	27.8	5.5		
H-30	30.0	5.5		
H4-36	36.0	8.0	M4	





六角型間隔柱 SPACER SUPPORT ———— 3-157-1

- MATERIAL: NYLON 66(UL)
- FLAME CLASS: 94V-2
- COLOR: NATURAL



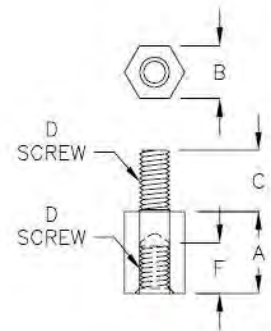
PART NO	A	B	D	F	FORM	PACKAGE
HU4-406A	6.35	4.75	#4-40		1	1000
HU4-409A	9.53	4.75	#4-40		1	
HU4-412A	12.7	4.75	#4-40		1	
HU4-415A	15.9	4.75	#4-40	6.0	2	
HU4-419A	19.05	4.75	#4-40	8.0	2	
HU4-606C	6.35	6.35	#4-40		1	
HU4-609C	9.53	6.35	#4-40		1	
HU4-611C	11.1	6.35	#4-40		1	
HU4-612C	12.7	6.35	#4-40		1	
HU4-615C	15.9	6.35	#4-40	6.0	2	
HU4-619C	19.05	6.35	#4-40	8.0	2	
HU4-625C	25.4	6.35	#4-40	8.0	2	

PART NO	A	B	D	F	FORM	PACKAGE	
HU6-406D	6.35	4.75	#6-32		1	1000	
HU6-409D	9.53	4.75	#6-32		1		
HU6-412D	12.7	4.75	#6-32		1		
HU6-415D	15.9	4.75	#6-32	6.0	2		
HU6-419D	19.05	4.75	#6-32	8.0	2		
HU6-606H	6.35	6.35	#6-32		1		
HU6-609H	9.53	6.35	#6-32		1		
HU6-612H	12.7	6.35	#6-32		1		
HU6-615H	15.9	6.35	#6-32	6.0	2		
HU6-619H	19.05	6.35	#6-32	8.0	2		
HU6-625H	25.4	6.35	#6-32	8.0	2		500



六角型間隔柱 SPACER SUPPORT ———— 3-157-2

- MATERIAL: NYLON 66(UL)
- FLAME CLASS: 94V-2
- COLOR: NATURAL



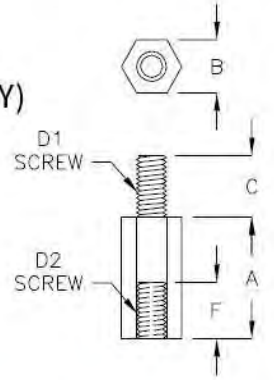
PART NO	A	B	C	D	F	PACKAGE
THU4-406C	6.4	4.8	4.8	#4-40	4.75	1000
THU4-409C	9.53					
THU4-412C	12.7					
THU4-415C	15.9					
THU4-419C	19.05	4.8	4.8	#4-40	4.75	500
THU4-425C	25.4					
THU4-606A	6.35	6.4	4.8	#4-40	4.75	1000
THU4-609A	9.53					
THU4-612A	12.7					
THU4-615A	15.9					
THU4-619A	19.05	6.4	4.8	#4-40	4.75	500
THU4-625A	25.4					

PART NO	A	B	C	D	F	PACKAGE
THU6-406H	6.35	4.8	6.4	#6-32	4.75	1000
THU6-409H	9.53	4.8	6.4	#6-32	6.35	
THU6-412H	12.7					
THU6-415H	15.9					
THU6-419H	19.05	4.8	6.4	#6-32	6.35	500
THU6-425H	25.4					
THU6-606D	6.35	6.4	6.4	#6-32	4.75	1000
THU6-609D	9.5	6.4	6.4	#6-32	6.35	
THU6-612D	12.7					
THU6-615D	15.9					
THU6-619D	19.05	6.4	6.4	#6-32	6.35	500
THU6-625D	25.4					



六角型間隔柱 SPACER SUPPORT ———— 3-158-1

- MATERIAL: NYLON 66(UL)
- FLAME CLASS: 94V-2
- COLOR: NATURAL
- D: SCREW
- OPTIONAL MATERIAL: POM (94HB FLAMMABILITY)



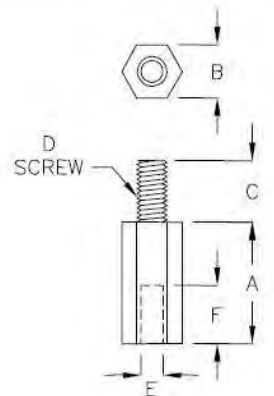
PART NO	A	B	C	D1 SCREW	D2 SCREW	F	PACKAGE
TH2F-6C	6.0	5.0	8.0	M3	M2.5	5.0	1000
TH2M-6	6.0	4.9	5.0	M2.6	M2.6	5.0	
TH-5	5.0	6.0	4.8	M3	M3	4.0	
TH-6	6.35	6.0	4.8				
TH-7	7.0	6.0	6.3	M3	M3	6.0	
TH-8	8.0	6.0	6.3				
TH-9	9.0	6.0	6.0				
TH-10	10.0	6.0	6.0	M3	M3	8.0	
TH-11	11.0	6.0	6.1				
TH-12	12.7	6.0	6.4	M3	M3	10.0	
TH-12A	12.0	4.7	6.4				
TH-14	14.0	6.0	6.0				
TH-14C	14.0	4.75	4.0				
TH-15	15.0	6.0	6.0				
TH-16	16.0	6.0	6.1				

PART NO	A	B	C	D1 SCREW	D2 SCREW	F	PACKAGE
TH-17.5	17.5	6.0	6.0	M3	M3	10.0	1000
TH-17.5A	17.5	4.75	6.0				
TH-18A	18.4	6.0	6.1				
TH-20	20.0	6.0	6.1	M3	M3	10.0	500
TH-21	21.0	6.0	6.0	M3	M3	10.5	1000
TH-22	22.0	6.0	6.4	M3	M3	10.0	500
TH-25	25.2	6.0	6.5				
TH-30	30.0	6.0	6.5	M3	M3	10.5	1000
TH4-10	10.1	6.1	6.1	M4	M3	8.0	
TH4-13	13.1	6.1	6.0	M4	M4	10.5	
TH4-15	15.0	6.0	6.0	M4	M4	10.0	
TH4-19	19.1	8.0	5.5	M4	M4	8.0	500
TH4-25	25.1	6.1	6.5	M4	M4	10.3	
TH4-30	30.2	6.1	6.4	M4	M4	10.0	
TH4-37	37.0	8.0	5.5	M4	M4	8.0	200
TH4-45	45.3	6.0	6.4	M4	M4	10.0	



六角型間隔柱 SPACER SUPPORT ———— 3-158-2

- MATERIAL: NYLON 66(UL)
- FLAME CLASS: 94V-2
- COLOR: NATURAL
- USE TAPPING SCREW



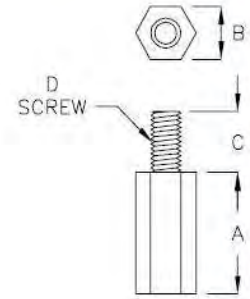
PART NO	A	B	C	D SCREW	E	F	USE TAPPING SCREW	PACKAGE
TH2-4	4.0	5.0	2.8	M2	ø1.6	2.8	M2	2000
TH-15A	15.0	5.0	5.0	#6-32	ø2.8	10.0	#6-32	1000



六角型間隔柱 SPACER SUPPORT ———— | 3-159-1 |

- MATERIAL: NYLON 66(UL)
- FLAME CLASS: 94V-2
- COLOR: NATURAL

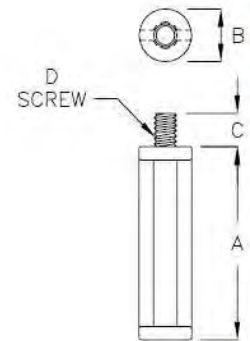
PART NO	A	B	C	D SCREW	PACKAGE
THK-35	35.0	6.0	6.0	M3	1000
THK-36M	36.0	6.0	6.0		
THK-37M	37.0	6.0	6.0		



P.C. 板間隔柱 SPACER SUPPORT ———— | 3-159-2 |

- MATERIAL: NYLON 66(UL)
- FLAME CLASS: 94V-2
- COLOR: NATURAL

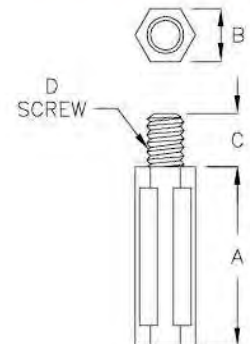
PART NO	A	B	C	D SCREW	PACKAGE
THB-29	29.2	∅8.0	5.0	#6-32	1000



六角型間隔柱 SPACER SUPPORT ———— | 3-159-3 |

- MATERIAL: NYLON 66(UL)
- FLAME CLASS: 94V-2
- COLOR: NATURAL

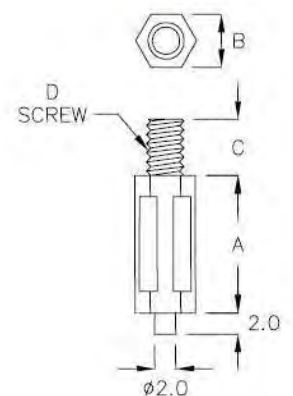
PART NO	A	B	C	D SCREW	PACKAGE
THM-17	17.0	5.0	5.0	#6-32	1000



六角型間隔柱 SPACER SUPPORT ———— | 3-159-4 |

- MATERIAL: NYLON 66(UL)
- FLAME CLASS: 94V-2
- COLOR: NATURAL

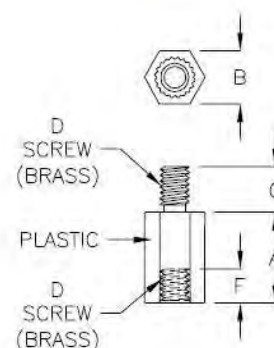
PART NO	A	B	C	D SCREW	PACKAGE
THC-13	13.0	5.0	5.0	#6-32	2000





六角型間隔柱 SPACER SUPPORT ———— 3-160-1

- MATERIAL: NYLON 66(UL), PPS(UL)
- FLAME CLASS: 94V-0
- COLOR: BLACK
- SCREW MATERIAL: BRASS

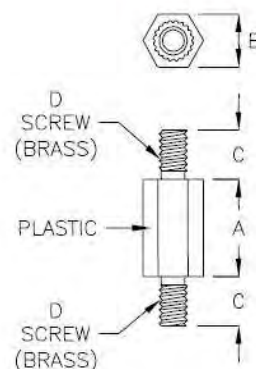


PART NO	MATERIAL	A	B	C	D SCREW	F	PACKAGE
TH3F-6R	N66	6.0	6.0	3.5	M3	2.9	500
★ TH3F-712G	PPS	12.0	7.0	6.0	M3	4.0	
THU6-712F	PPS	12.0	7.0	6.0	#6-32	4.5	



六角型間隔柱 SPACER SUPPORT ———— 3-160-2

- MATERIAL: PBT(UL)
- FLAME CLASS: 94V-0
- COLOR: BLACK
- SCREW MATERIAL: BRASS

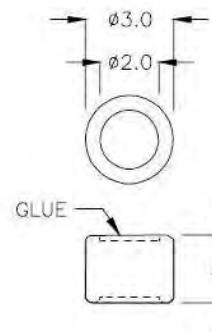


PART NO	A	B	C	D SCREW	PACKAGE
THT-6U12	12.0	6.5	6.0	#6-32	500



P.C.B 板支撐柱 P.C.B SUPPORT ———— 3-160-3

- MATERIAL: NYLON 46(UL)
- FLAME CLASS: 94V-0
- COLOR: BLACK

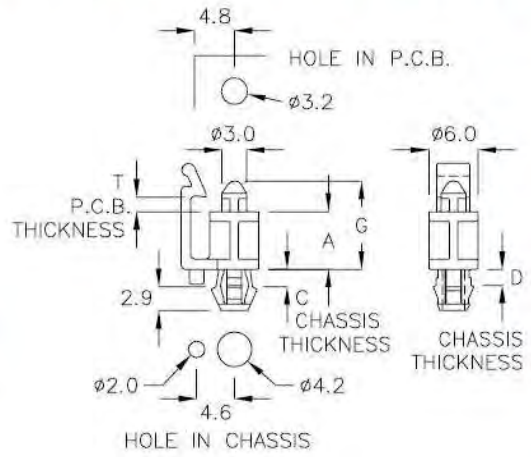


PART NO	A	PACKAGE
DPX-02	2.3	2000



P.C. 板間隔柱 SPACER SUPPORT | 3-121-1 |

- MATERIAL: NYLON 66(UL)
- FLAME CLASS: 94V-2
- COLOR: BLACK

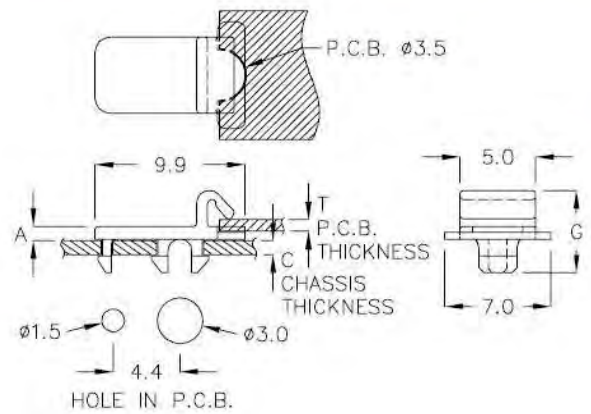


PART NO	A	G	C CHASSIS THICKNESS	D CHASSIS THICKNESS	T P.C.B. THICKNESS	PACKAGE
LMW-07	7.0	10.7	1.9	1.7	1.6	1000

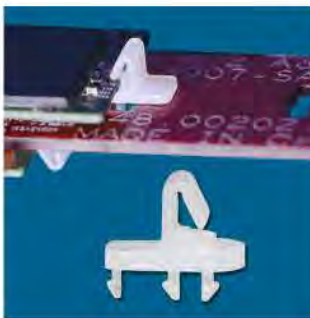


M.2 卡固定扣 SPACER SUPPORT | 3-121-2 |

- MATERIAL: NYLON 66(UL)
- FLAME CLASS: 94V-2
- COLOR: NATURAL

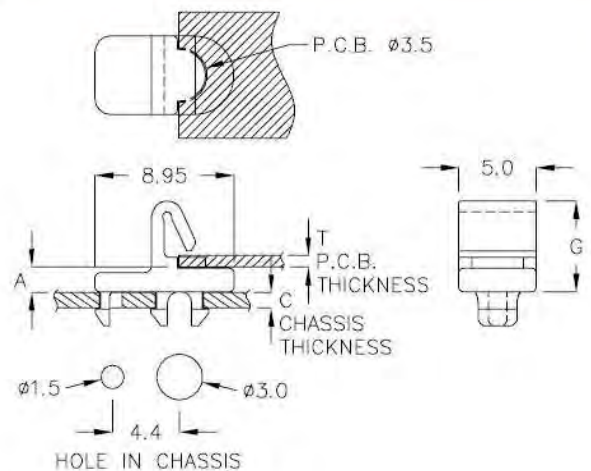


PART NO	A	G	C P.C.B. THICKNESS	T P.C.B. THICKNESS	PACKAGE
LSNT-04	0.85	5.4	1.0	0.8	1000



M.2 卡固定扣 SPACER SUPPORT | 3-121-3 |

- MATERIAL: NYLON 66(UL)
- FLAME CLASS: 94V-2
- COLOR: NATURAL



PART NO	A	G	C CHASSIS THICKNESS	T P.C.B. THICKNESS	PACKAGE
LSN-1A	1.5	5.8	1.0	0.85	2000
LSN-1XR	1.5	5.6	1.6	0.85	

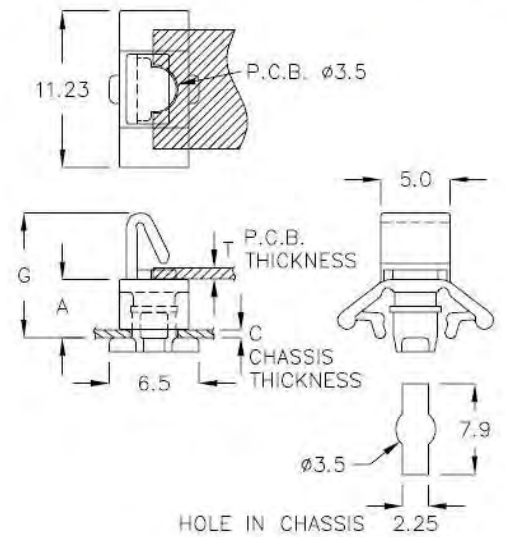


M.2 卡固定扣 SPACER SUPPORT ———— 3-122-1

- MATERIAL: NYLON 66(UL)
- FLAME CLASS: 94V-2
- COLOR: NATURAL

INSERT WITH 90 DEGREE ANGLE AND PRESS DOWN

PART NO	A	G	C CHASSIS THICKNESS	T P.C.B. THICKNESS	PACKAGE
LSZ-4A	4.15	9.0	1.0~1.6	0.8	1000



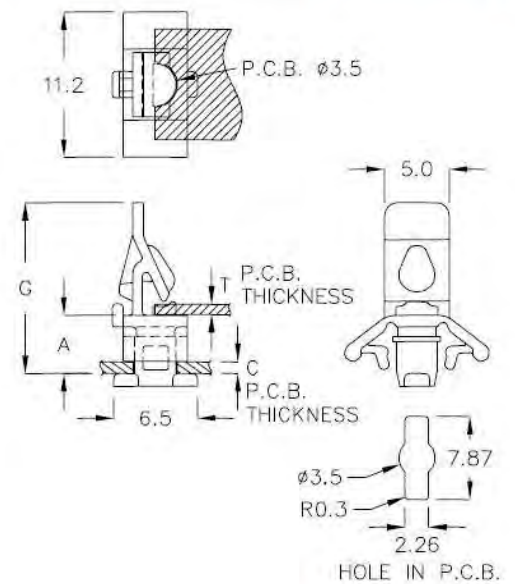
M.2 卡固定扣 SPACER SUPPORT ———— 3-122-2

- MATERIAL: NYLON 66(UL)
- FLAME CLASS: 94V-2
- COLOR: BLUE



INSERT WITH 90 DEGREE ANGLE AND PRESS DOWN

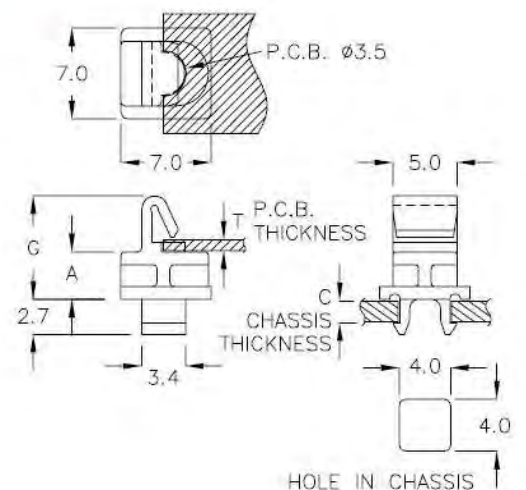
PART NO	A	G	C P.C.B. THICKNESS	T P.C.B. THICKNESS	PACKAGE
★ LSZQ-2GF	4.5	13.2	1.8~2.2	0.8	1000



M.2 卡固定扣 SPACER SUPPORT ———— 3-122-3

- MATERIAL: NYLON 66(UL)
- FLAME CLASS: 94V-2
- COLOR: NATURAL

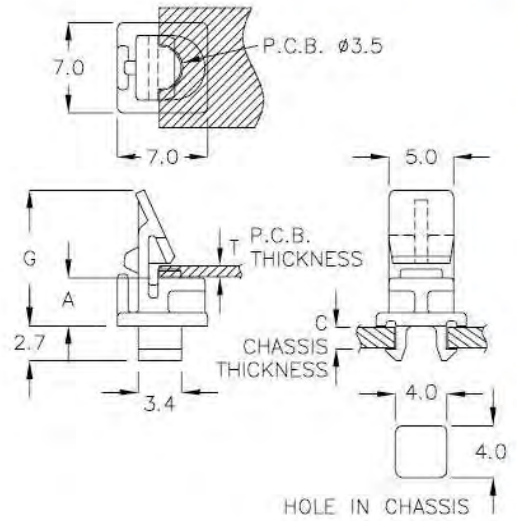
PART NO	A	G	C CHASSIS THICKNESS	T P.C.B. THICKNESS	PACKAGE
LSP-3AN	3.7	8.0	1.6	0.8	2000





M.2 卡固定扣 SPACER SUPPORT ——— 3-123-1

- MATERIAL: NYLON 66(UL)
- FLAME CLASS: 94V-2
- COLOR: NATURAL

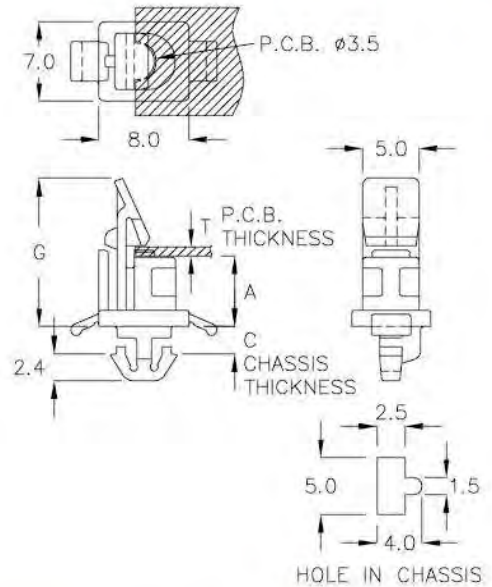


PART NO	A	G	C CHASSIS THICKNESS	T P.C.B. THICKNESS	PACKAGE
LTQ-2AR	2.5	9.3	1.6	0.8	2000
LTQ-3CP	3.7	10.5	1.6	0.8	



P.C. 板間隔柱 SPACER SUPPORT ——— 3-123-2

- MATERIAL: NYLON 66(UL)
- FLAME CLASS: 94V-2
- COLOR: BLACK

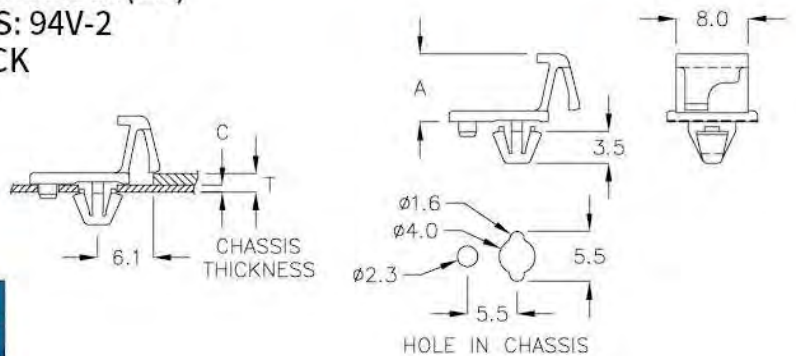


PART NO	A	G	C CHASSIS THICKNESS	T P.C.B. THICKNESS	PACKAGE
LTQR-6C	6.1	17.9	1.9	0.8	1000

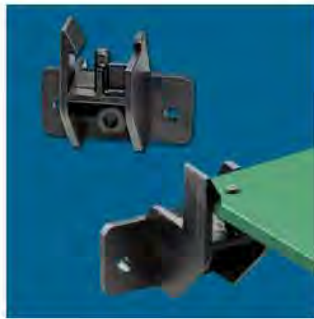


M.2 卡固定扣 SPACER SUPPORT ——— 3-123-3

- MATERIAL: NYLON 66(UL)
- FLAME CLASS: 94V-2
- COLOR: BLACK



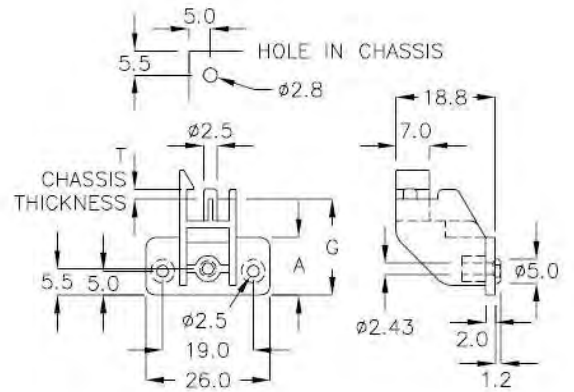
PART NO	A	C CHASSIS THICKNESS	T TOTAL THICKNESS	PACKAGE
LSR-1FM	7.5	0.8	2.1	2000



P.C. 板間隔柱 SPACER SUPPORT ———— 3-124-1

- MATERIAL: ABS+PC(UL)
- FLAME CLASS: 94V-0
- COLOR: BLACK

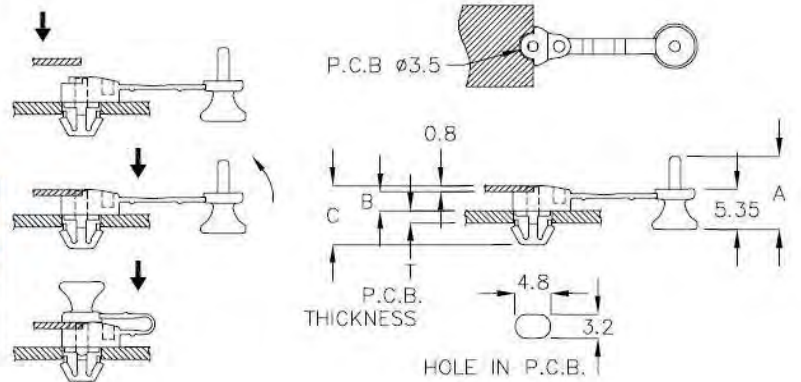
PART NO	A	G	T CHASSIS THICKNESS	PACKAGE
LTRC-18	12.0	18.0	1.8	500



M.2 卡固定扣 M.2 CARD SNAP CLIP ———— 3-124-2

- MATERIAL: NYLON 66(UL)
- FLAME CLASS: 94V-2
- COLOR: BLACK

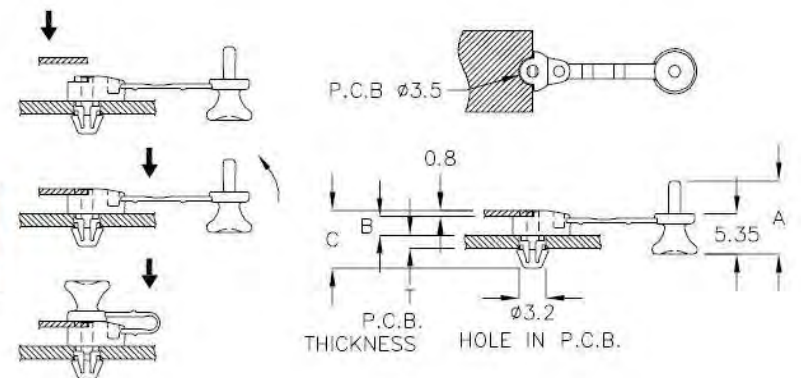
PART NO	A	B	C	T P.C.B. THICKNESS	PACKAGE
SRTC-4A	9.7	2.5	7.8	1.6	500
SRTC-4CH	9.7	2.5	8.1	2.0	1000
SRTC-4FD	10.9	2.5	9.2	3.0	



M.2 卡固定扣 M.2 CARD SNAP CLIP ———— 3-124-3

- MATERIAL: NYLON 66(UL)
- FLAME CLASS: 94V-2
- COLOR: BLACK

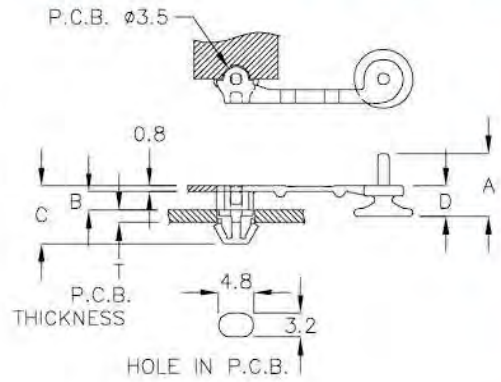
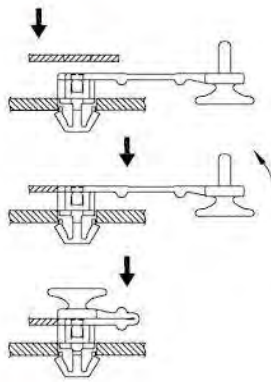
PART NO	A	B	C	T P.C.B. THICKNESS	PACKAGE
SRTH-3FG	9.7	2.5	7.65	1.6	500





M.2 卡固定扣 M.2 CARD SNAP CLIP 3-125-1

- MATERIAL: NYLON 66(UL)
- FLAME CLASS: 94V-2
- COLOR: NATURAL

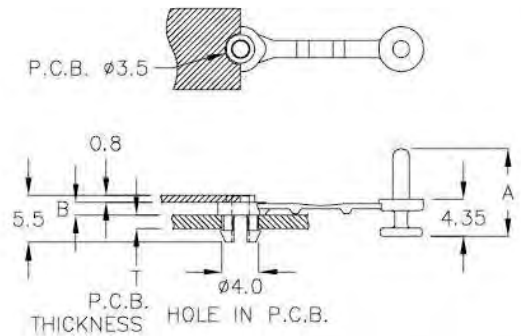
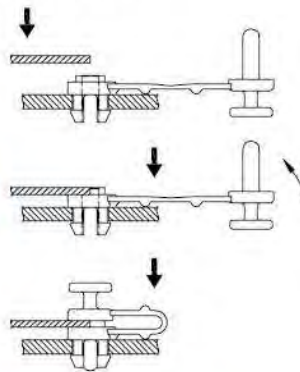


PART NO	A	B	C	D	T P.C.B. THICKNESS	PACKAGE
SRTF-4GW	8.45	2.5	7.8	4.1	1.6	500
SRTF-4RM	9.7	2.5	7.4	5.4	1.2	



M.2 卡固定扣 M.2 CARD SNAP CLIP 3-125-2

- MATERIAL: NYLON 66(UL)
- FLAME CLASS: 94V-2
- COLOR: NATURAL

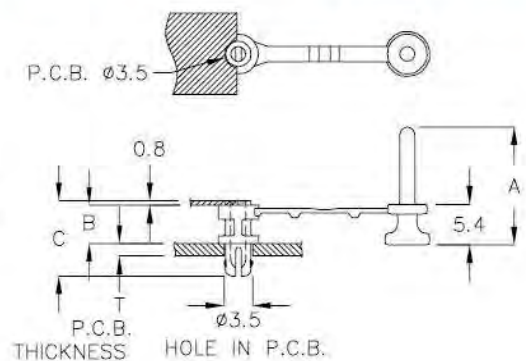
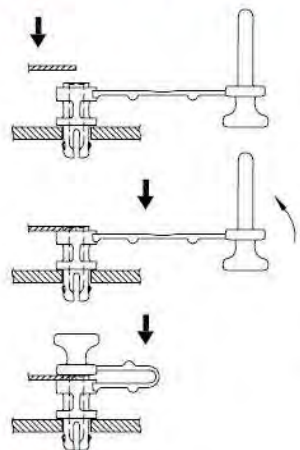


PART NO	A	B	T P.C.B. THICKNESS	PACKAGE
SRTQ-4D	10.25	1.5	1.6	500

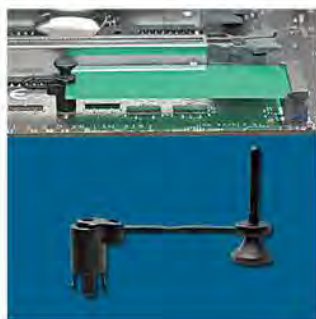


M.2 卡固定扣 M.2 CARD SNAP CLIP 3-125-3

- MATERIAL: NYLON 66(UL)
- FLAME CLASS: 94V-2
- COLOR: NATURAL, BLACK



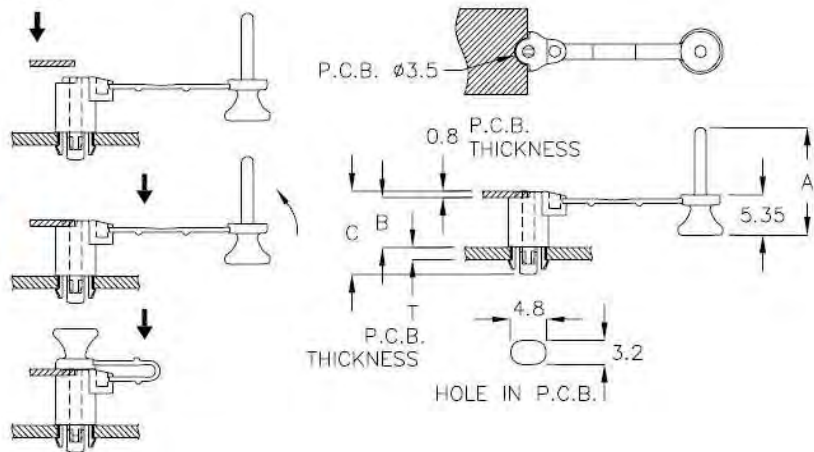
PART NO	A	B	C	T P.C.B. THICKNESS	PACKAGE
SRTK-3QM	13.05	2.5	7.6	1.6~2.2	1000
SRTK-3GP	15.6	5.05	10.15	1.6~2.2	
SRTK-3RZ	17.35	6.65	11.95	1.6~2.2	
SRTK-3FT	18.15	6.65	12.8	2.3~3.0	



M.2 卡固定扣 M.2 CARD SNAP CLIP 3-126-1

- MATERIAL: NYLON 66(UL)
- FLAME CLASS: 94V-2
- COLOR: BLACK

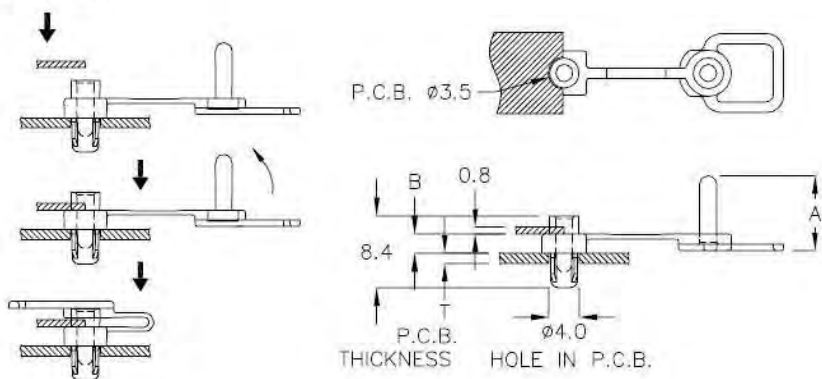
PART NO	A	B	C	T P.C.B. THICKNESS	PACKAGE
SRTY-4K	16.35	6.5	11.0	1.6	500



M.2 卡固定扣 M.2 CARD SNAP CLIP 3-126-2

- MATERIAL: NYLON 66(UL)
- FLAME CLASS: 94V-2
- COLOR: NATURAL

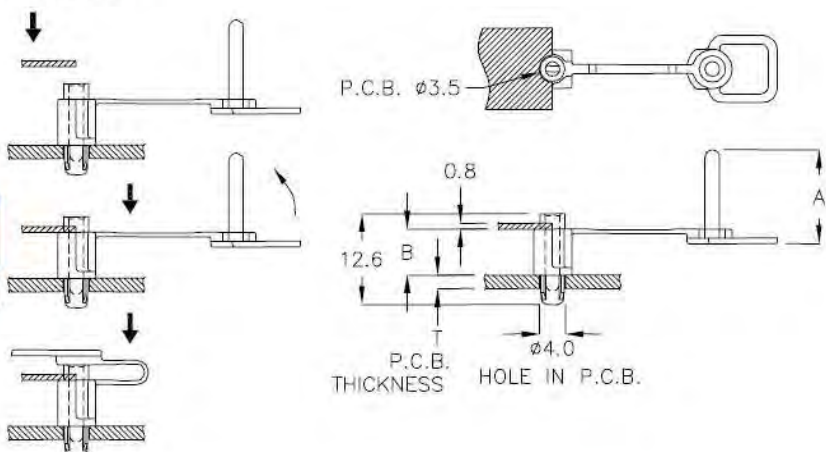
PART NO	A	B	T P.C.B. THICKNESS	PACKAGE
SRTM-4K	8.8	2.3	1.2~1.6	500



M.2 卡固定扣 M.2 CARD SNAP CLIP 3-126-3

- MATERIAL: NYLON 66(UL)
- FLAME CLASS: 94V-2
- COLOR: NATURAL

PART NO	A	B	T P.C.B. THICKNESS	PACKAGE
SRTM-4PQ	13.5	6.5	1.2~1.6	500



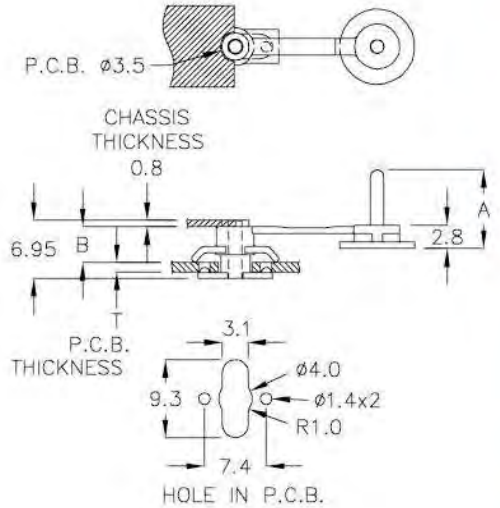
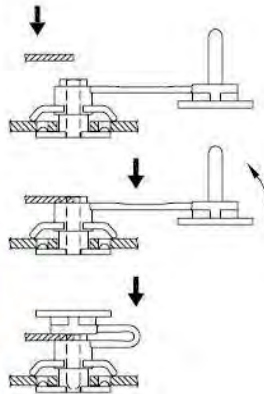


M.2 卡固定扣 M.2 CARD SNAP CLIP ———— | 3-127-1 |

- MATERIAL: NYLON 66(UL)
- FLAME CLASS: 94V-0
- COLOR: BLACK

INSERT WITH 90 DEGREE ANGLE AND PRESS DOWN

PART NO	A	B	T P.C.B. THICKNESS	PACKAGE
SRTD-4YR	9.4	3.85	1.6	500

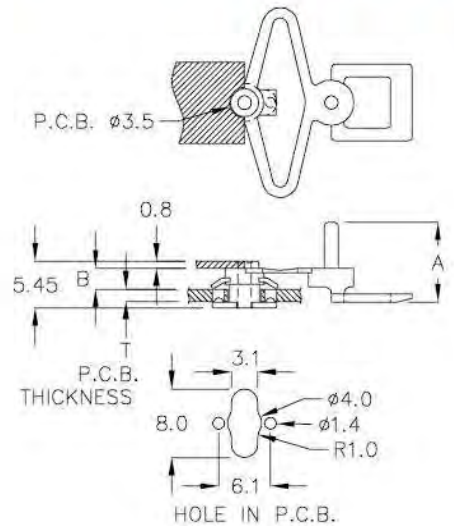
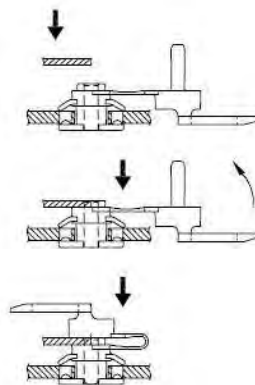


M.2 卡固定扣 M.2 CARD SNAP CLIP ———— | 3-127-2 |

- MATERIAL: NYLON 66(UL)
- FLAME CLASS: 94V-2
- COLOR: BLACK

INSERT WITH 90 DEGREE ANGLE AND PRESS DOWN

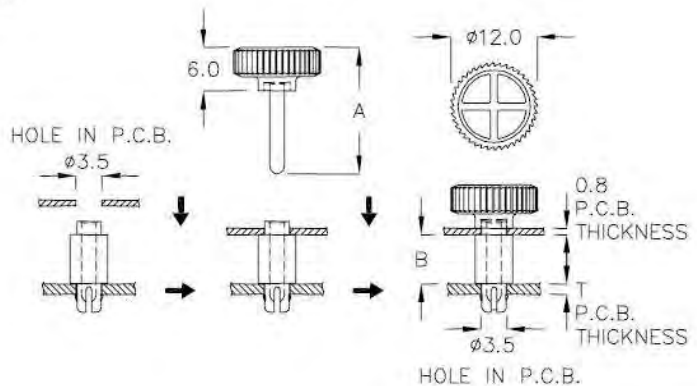
PART NO	A	B	T P.C.B. THICKNESS	PACKAGE
S RTP-4FQ	9.4	2.35	1.6	500



M.2 卡固定扣 M.2 CARD SNAP HOLDER ———— | 3-127-3 |

- MATERIAL: NYLON 66(UL)
- FLAME CLASS: 94V-2
- COLOR: BLACK

PART NO	A	B	T P.C.B. THICKNESS	PACKAGE
SRTA-3KP	17.4	6.65	1.6	500

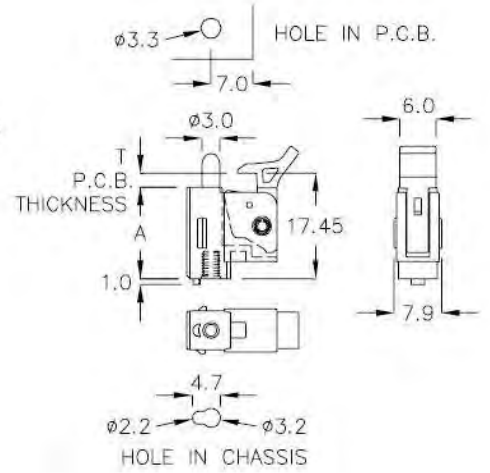
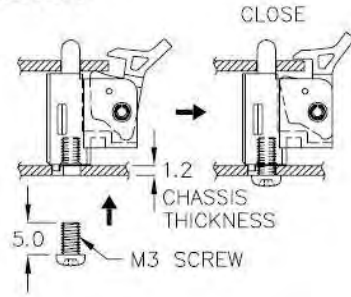




M.2 卡固定扣 M.2 CARD SNAP CLIP ———— 3-128-1

- MATERIAL: NYLON 66(UL)
- FLAME CLASS: 94V-0
- COLOR: NATURAL, BLUE
- USE M3 SCREW

PART NO	A	T P.C.B. THICKNESS	PACKAGE
LXC-21K	15.1	1.6	200

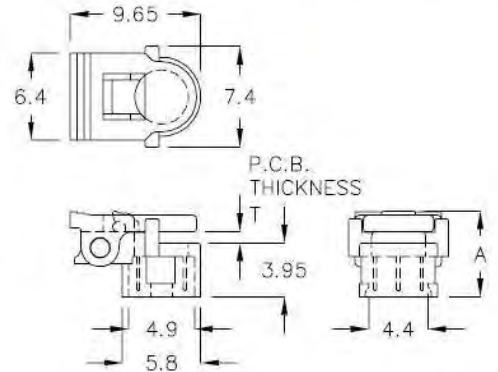
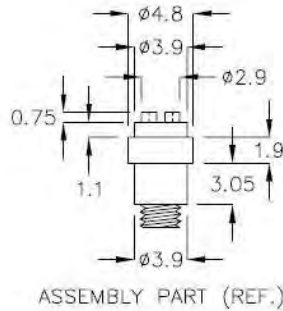


M.2 卡固定扣 M.2 CARD SNAP CLIP ———— 3-128-2

- MATERIAL: NYLON 66(UL)
- FLAME CLASS: 94V-0
- COLOR: BLACK

NEW

PART NO	A	T P.C.B. THICKNESS	PACKAGE
★ LXCG-9	6.3	0.8	500

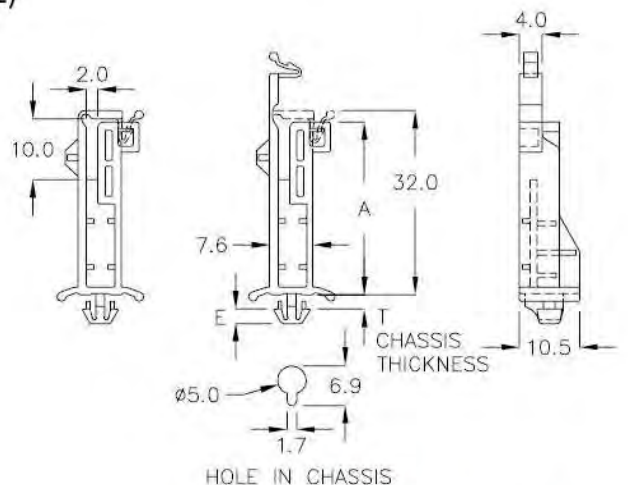


M.2 卡固定扣 SPACER SUPPORT ———— 3-128-3

- MATERIAL: NYLON 66(UL)
- FLAME CLASS: 94V-2
- COLOR: NATURAL

Built-In Anti-Spin Function WITH LOCK FEATURE

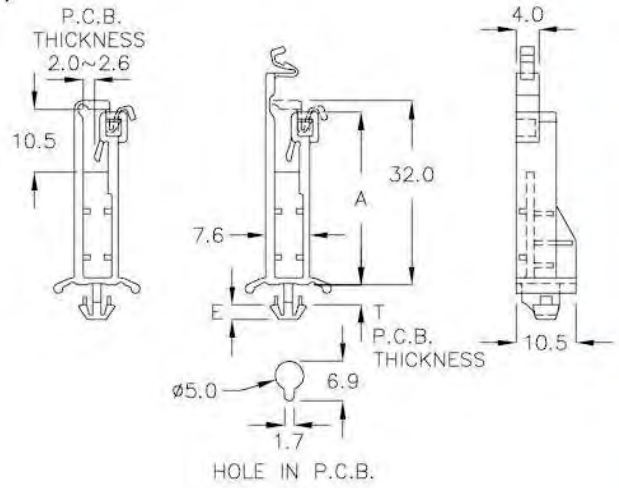
PART NO	A	E	T CHASSIS THICKNESS	PACKAGE
DAG-28C	30.0	2.5	1.8~2.0	500
DAG-28TN	30.0	2.5	2.0~2.2	





M.2 卡固定扣 SPACER SUPPORT ———— | 3-129-1 |

- MATERIAL: NYLON 66(UL)
- FLAME CLASS: 94V-0
- COLOR: NATURAL



Built-In Anti-Spin Function WITH LOCK FEATURE

PART NO	A	E	T P.C.B. THICKNESS	PACKAGE
★ DAGK-28	30.0	2.5	2.2~2.8	500

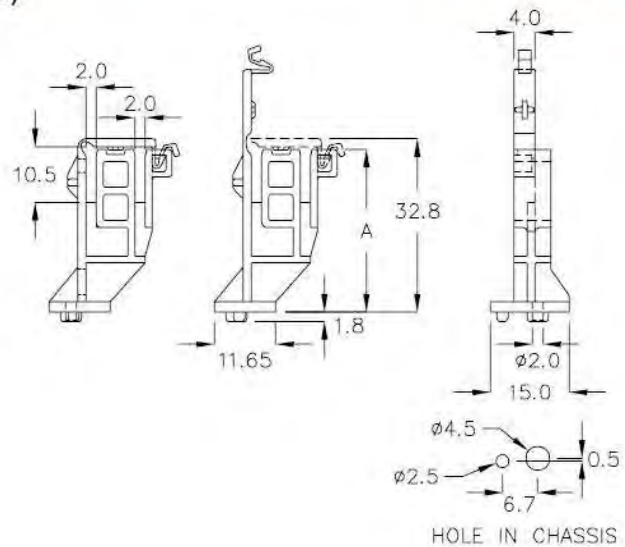


P.C. 板固定座 P.C.B MOUNT ———— | 3-129-2 |

- MATERIAL: NYLON 66(UL)
- FLAME CLASS: 94V-2
- COLOR: NATURAL
- USE M2 SCREW

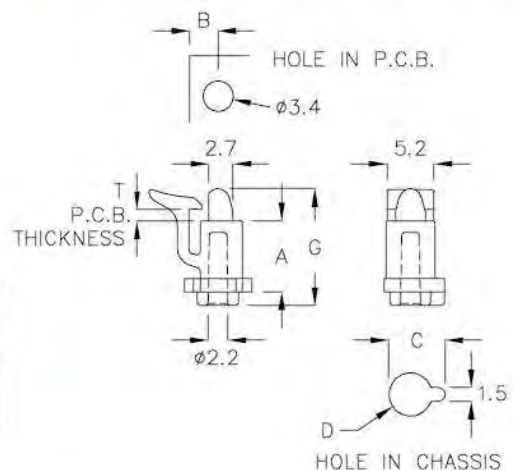
WITH LOCK FEATURE

PART NO	A	PACKAGE
DAGH-30T	30.8	200



P.C. 板間隔柱 SPACER SUPPORT ———— | 3-129-3 |

- MATERIAL: NYLON 66(UL)
- FLAME CLASS: 94V-2
- COLOR: BLACK
- USE M3 TAPPING SCREW

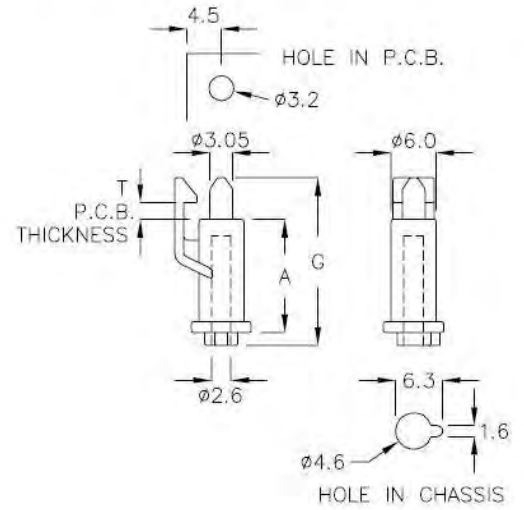


PART NO	A	B	C	D	G	T P.C.B. THICKNESS	USE TAPPING SCREW	PACKAGE
★ LTW-7AK	7.15	5.5	6.2	∅4.7	18.65	1.7~1.9	M3x5L	1000
LTW-7C	7.85	3.15	6.3	∅4.8	12.9	1.0~1.2	M3x6L	



P.C. 板間隔柱 SPACER SUPPORT ———— 3-130-1

- MATERIAL: NYLON 66(UL)
- FLAME CLASS: 94V-2
- COLOR: BLUE
- USE M3x8 TAPPING SCREW

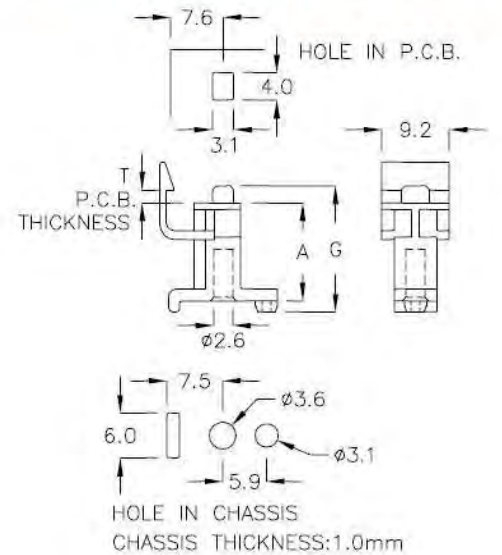


PART NO	A	G	T P.C.B. THICKNESS	PACKAGE
LTF-01	15.0	22.2	1.6~1.8	500



P.C. 板間隔柱 SPACER SUPPORT ———— 3-130-2

- MATERIAL: NYLON 66(UL)
- FLAME CLASS: 94V-2
- COLOR: NATURAL, GREEN
- USE M3x7 TAPPING SCREW

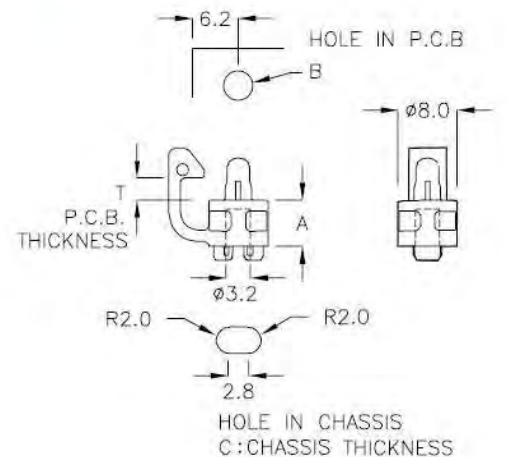


PART NO	A	G	T P.C.B. THICKNESS	PACKAGE
LTR-13A	13.2	17.0	1.4~1.6	1000



P.C. 板間隔柱 SPACER SUPPORT ———— 3-130-3

- MATERIAL: NYLON 66(UL)
- FLAME CLASS: 94V-2
- COLOR: NATURAL
- USE M3.5x6 TAPPING SCREW

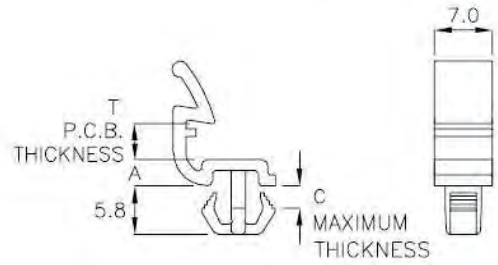


PART NO	A	B	C CHASSIS THICKNESS	T P.C.B. THICKNESS	PACKAGE
LTK-6A	6.2	$\phi 4.0$	2.0~2.3	2.8~3.0	1000
LTK-7C	7.5	$\phi 3.3$	2.5~2.7	1.6~1.85	



P.C. 板間隔柱 SPACER SUPPORT ———— | 3-131-1 |

- MATERIAL: NYLON 66(UL)
- FLAME CLASS: 94V-2
- COLOR: NATURAL

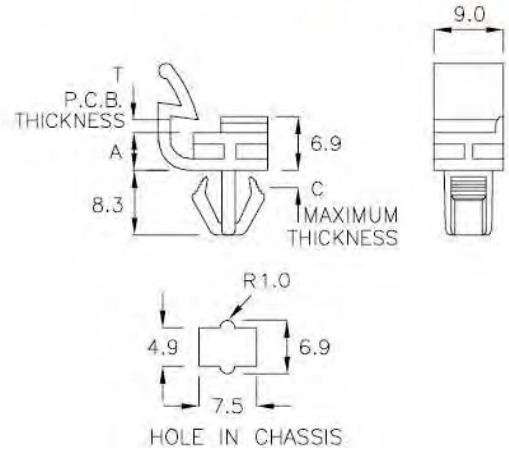


PART NO	A	T P.C.B. THICKNESS	C MAXIMUM THICKNESS	PACKAGE
LS-3A	3.0	3.8~4.0	2.0	500



P.C. 板間隔柱 SPACER SUPPORT ———— | 3-131-2 |

- MATERIAL: NYLON 66(UL)
- FLAME CLASS: 94V-2
- COLOR: NATURAL

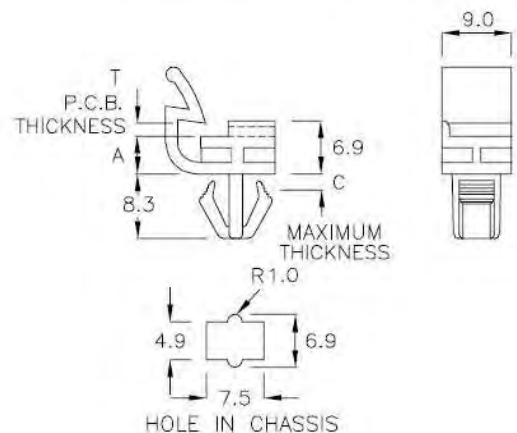


PART NO	A	T P.C.B. THICKNESS	C MAXIMUM THICKNESS	PACKAGE
LS-4A	4.9	1.4~1.6	1.6	500

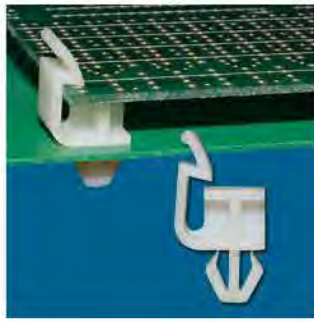


P.C. 板間隔柱 SPACER SUPPORT ———— | 3-131-3 |

- MATERIAL: NYLON 66(UL)
- FLAME CLASS: 94V-2
- COLOR: NATURAL



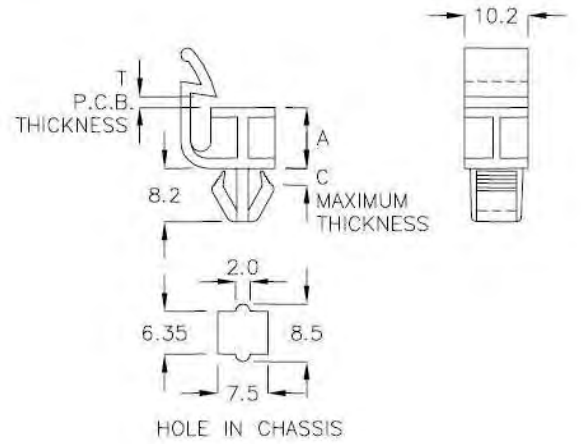
PART NO	A	T P.C.B. THICKNESS	C MAXIMUM THICKNESS	PACKAGE
LS-4C	4.9	1.4~1.6	1.6	500



P.C. 板間隔柱 SPACER SUPPORT ———— **3-132-1**

- MATERIAL: NYLON 66(UL)
- FLAME CLASS: 94V-2
- COLOR: NATURAL

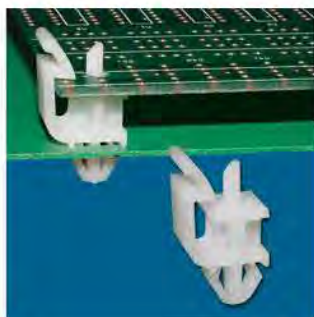
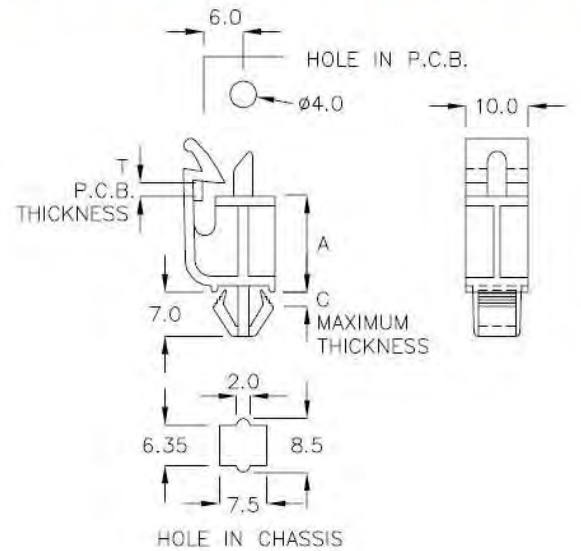
PART NO	A	C MAXIMUM THICKNESS	T P.C.B. THICKNESS	PACKAGE
LS-9A	9.0	2.0	0.8~2.2	500



P.C. 板間隔柱 SPACER SUPPORT ———— **3-132-2**

- MATERIAL: NYLON 66(UL)
- FLAME CLASS: 94V-2
- COLOR: NATURAL

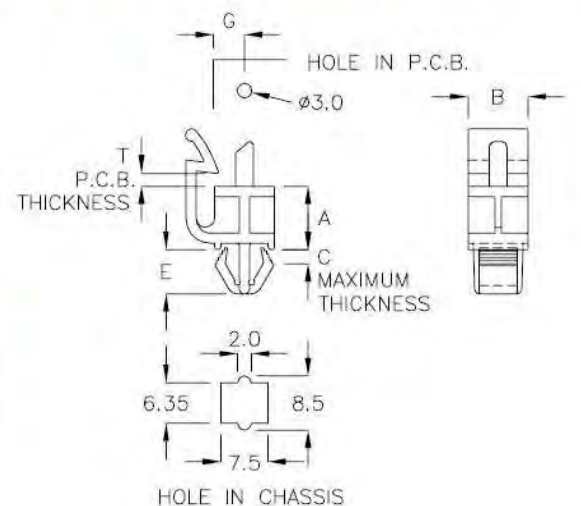
PART NO	A	C MAXIMUM THICKNESS	T P.C.B. THICKNESS	PACKAGE
LS-15	15.2	1.6	1.4~1.6	500

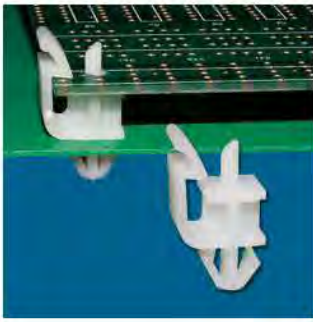


P.C. 板間隔柱 SPACER SUPPORT ———— **3-132-3**

- MATERIAL: NYLON 66(UL)
- FLAME CLASS: 94V-2
- COLOR: NATURAL

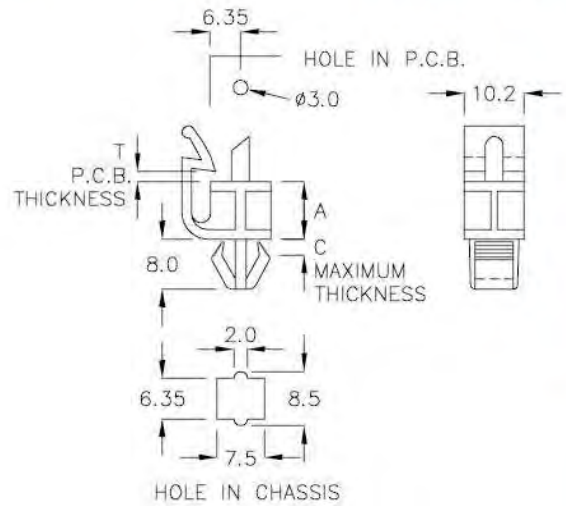
PART NO	A	B	C MAXIMUM THICKNESS	E	G	T P.C.B. THICKNESS	PACKAGE
LS-7	7.5	10.2	1.4	7.1	6.35	0.8~2.2	500
LS-10	10.0	10.1	1.4	7.1	6.35	0.8~2.2	
LS-10AN	10.0	9.5	1.6	6.9	5.35	0.8~1.6	





P.C. 板間隔柱 SPACER SUPPORT ———— | **3-133-1** |

- MATERIAL: NYLON 66(UL)
- FLAME CLASS: 94V-2
- COLOR: NATURAL

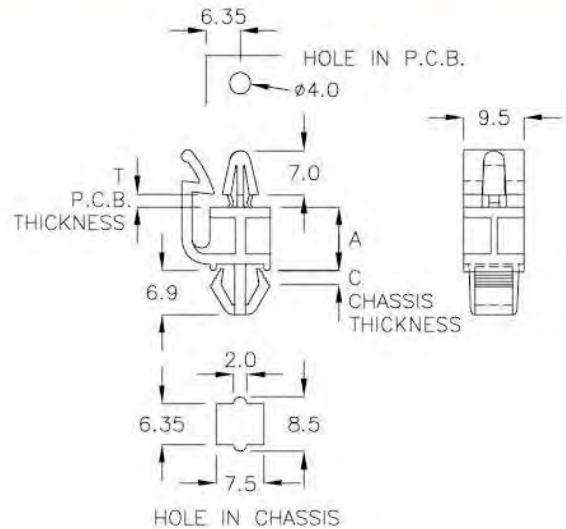


PART NO	A	C MAXIMUM THICKNESS	T P.C.B. THICKNESS	PACKAGE
LS-9	9.0	2.0	0.8~2.2	500



P.C. 板間隔柱 SPACER SUPPORT ———— | **3-133-2** |

- MATERIAL: NYLON 66(UL)
- FLAME CLASS: 94V-2
- COLOR: NATURAL

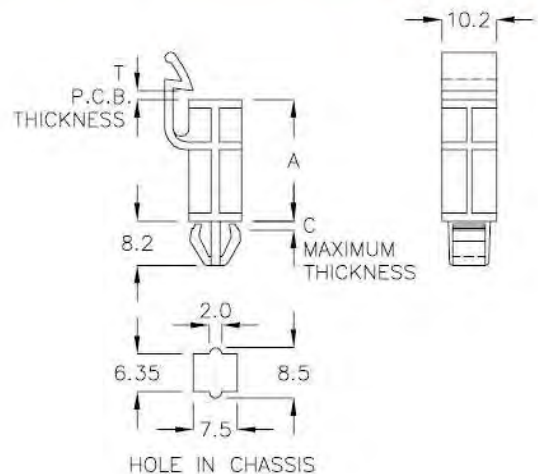


PART NO	A	C CHASSIS THICKNESS	T P.C.B. THICKNESS	PACKAGE
LSQ-10	10.0	0.8~1.6	1.6	500
LSQ-15A	15.0	0.8~1.6	1.6	



P.C. 板間隔柱 SPACER SUPPORT ———— | **3-133-3** |

- MATERIAL: NYLON 66(UL)
- FLAME CLASS: 94V-2
- COLOR: NATURAL

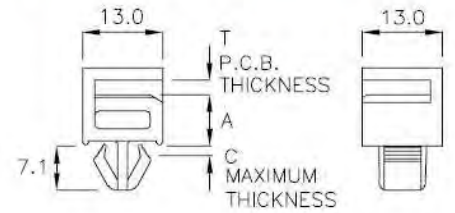


PART NO	A	C MAXIMUM THICKNESS	T P.C.B. THICKNESS	PACKAGE
LS-22A	22.5	0.8	1.4~1.6	500

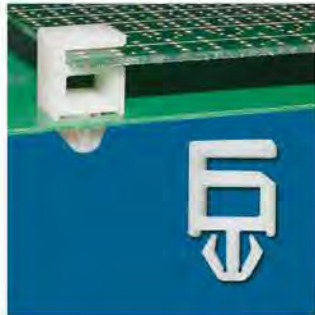
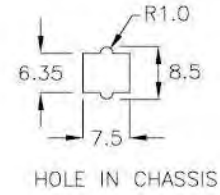


P.C. 板間隔柱 SPACER SUPPORT ———— 3-134-1

- MATERIAL: NYLON 66(UL)
- FLAME CLASS: 94V-2
- COLOR: NATURAL

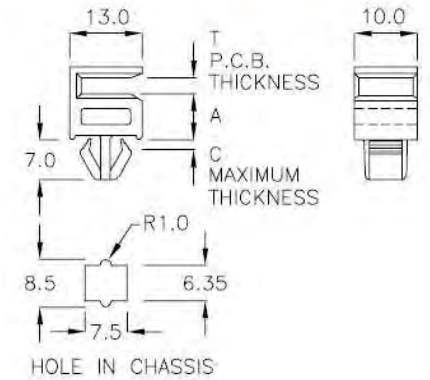


PART NO	A	T P.C.B. THICKNESS	C MAXIMUM THICKNESS	PACKAGE
LTS-7	7.5	0.8~2.2	1.4	500
LTS-10	10.0	0.8~2.2	1.4	



P.C. 板間隔柱 SPACER SUPPORT ———— 3-134-2

- MATERIAL: NYLON 66(UL)
- FLAME CLASS: 94V-2
- COLOR: NATURAL

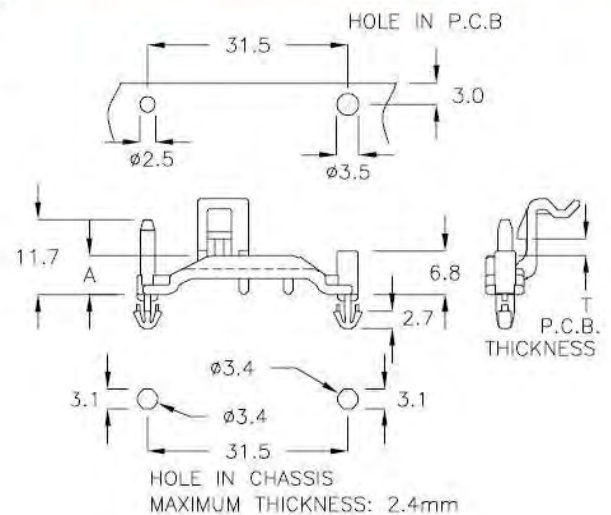


PART NO	A	T P.C.B. THICKNESS	C MAXIMUM THICKNESS	PACKAGE
LTS-10A	10.0	1.2~2.2	1.6	500

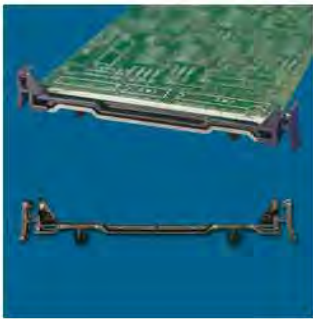


P.C. 板間隔柱 SPACER SUPPORT ———— 3-134-3

- MATERIAL: NYLON 66(UL)
- FLAME CLASS: 94V-2
- COLOR: NATURAL,BLUE

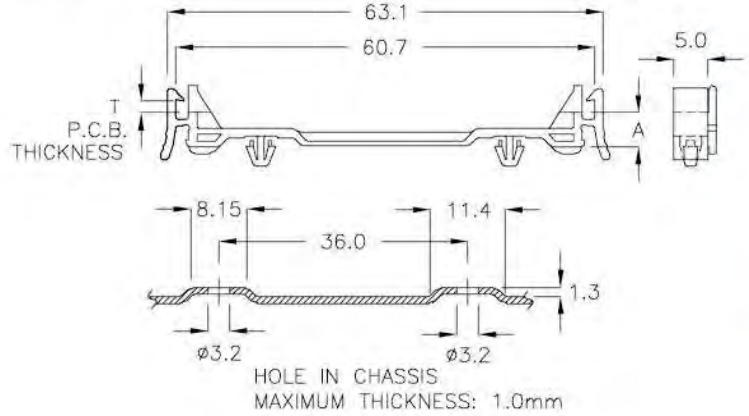


PART NO	A	T P.C.B. THICKNESS	PACKAGE
FKK-6RC	6.1	1.4~1.6	200



P.C. 板間隔柱 SPACER SUPPORT ———— | 3-135-1 |

- MATERIAL: NYLON 66(UL)
- FLAME CLASS: 94V-2
- COLOR: BLACK

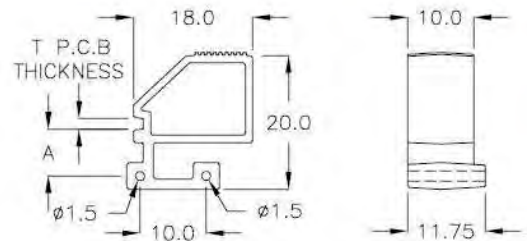


PART NO	A	T P.C.B. THICKNESS	PACKAGE
MTG-65DR	4.9	1.6	200



P.C. 板間隔柱 SPACER SUPPORT ———— | 3-135-2 |

- MATERIAL: NYLON 66(UL)
- FLAME CLASS: 94V-2
- COLOR: NATURAL
- USE M2x8 TAPPING SCREW

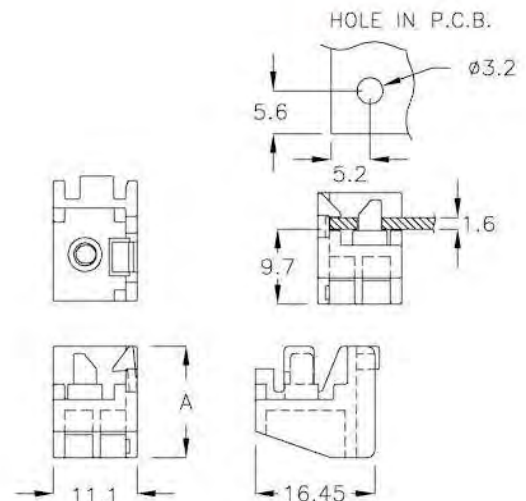


PART NO	A	T P.C.B. THICKNESS	PACKAGE
LSY-07	7.0	1.4~1.6	200



P.C. 板間隔柱 SPACER SUPPORT ———— | 3-135-3 |

- MATERIAL: NYLON 66(UL)
- FLAME CLASS: 94V-0
- COLOR: BLACK

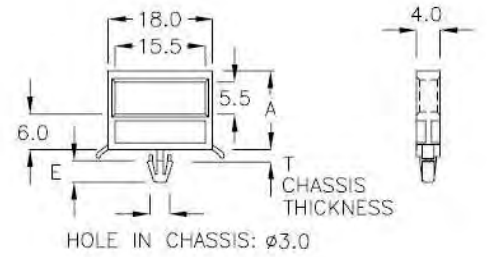


PART NO	A	PACKAGE
MTC-14A	14.65	1000

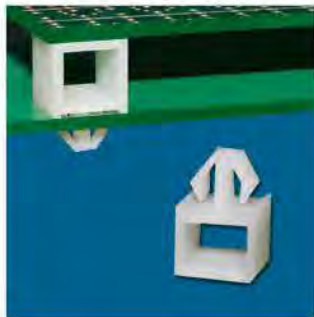


P.C. 板間隔柱 SPACER SUPPORT | 3-136-1 |

- MATERIAL: NYLON 66(UL)
- FLAME CLASS: 94V-2
- COLOR: NATURAL

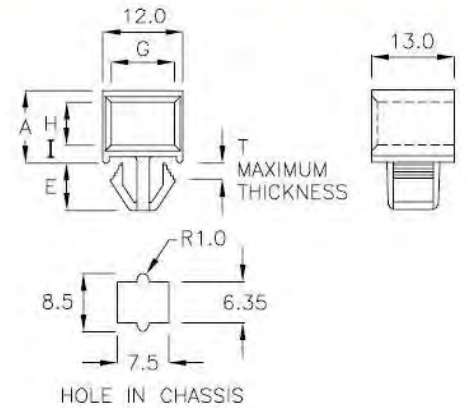


PART NO	A	T CHASSIS THICKNESS	E	PACKAGE
LD-13	13.3	1.2~1.6	3.8	500



P.C. 板間隔柱 SPACER SUPPORT | 3-136-2 |

- MATERIAL: NYLON 66(UL)
- FLAME CLASS: 94V-2
- COLOR: NATURAL

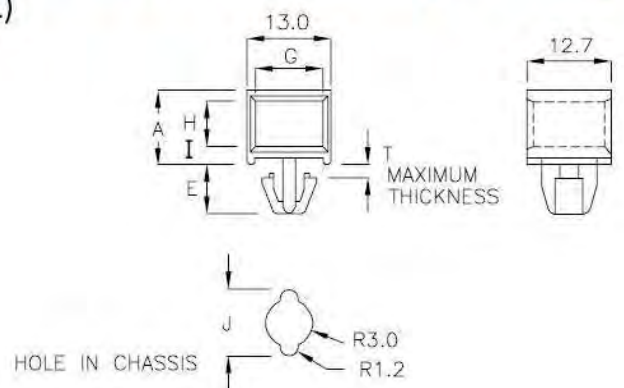


PART NO	A	E	G	H	I	T MAXIMUM THICKNESS	PACKAGE
LW-10	10.6	7.1	9.4	6.3	2.65	1.8	200
LW-012	12.7	7.1	9.2	8.2	2.75	1.8	
LW-013	12.5	6.4	9.1	8.2	2.5	1.4	



P.C. 板間隔柱 SPACER SUPPORT | 3-136-3 |

- MATERIAL: NYLON 66(UL)
- FLAME CLASS: 94V-2
- COLOR: NATURAL

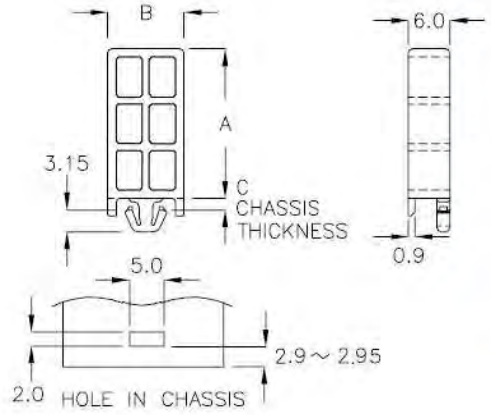


PART NO	A	E	G	H	I	J	T MAXIMUM THICKNESS	PACKAGE
LD-10A	10.6	7.2	9.5	6.1	2.5	8.4	1.6	500
LD-12C	12.6	7.1	9.1	8.2	2.65	9.4	1.6	



P.C. 板間隔柱 SPACER SUPPORT 3-137-1

- MATERIAL: NYLON 66(UL)
- FLAME CLASS: 94V-2
- COLOR: BLACK

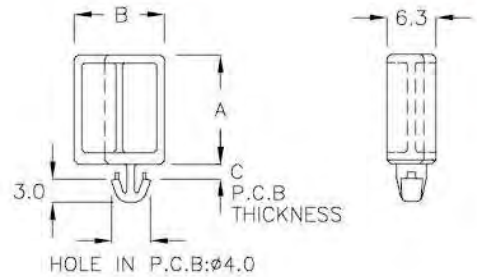


PART NO	A	B	C CHASSIS THICKNESS	PACKAGE
LWC-21A	21.5	11.0	1.4~1.6	500



P.C. 板間隔柱 SPACER SUPPORT 3-137-2

- MATERIAL: NYLON 66(UL)
- FLAME CLASS: 94V-2
- COLOR: NATURAL, BLACK

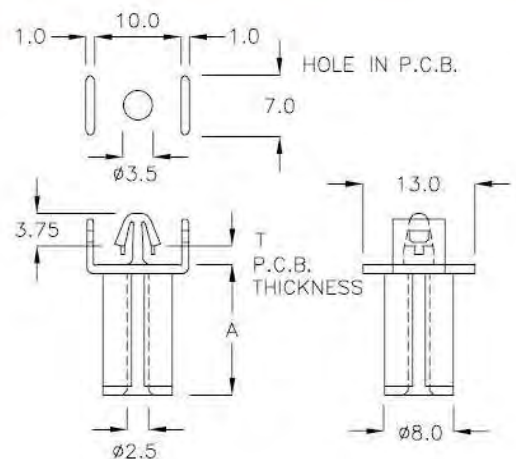


PART NO	A	B	C P.C.B THICKNESS	PACKAGE
LWP-14	14.0	11.7	1.7	500



P.C. 板間隔柱 SPACER SUPPORT 3-137-3

- MATERIAL: NYLON 66(UL)
- FLAME CLASS: 94V-2
- COLOR: NATURAL
- USE M3x8 TAPPING SCREW

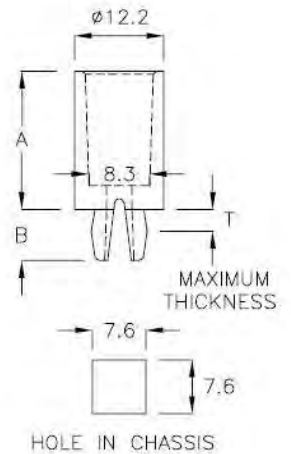


PART NO	A	T P.C.B. THICKNESS	PACKAGE
LSL-15	15.0	1.8~1.95	500

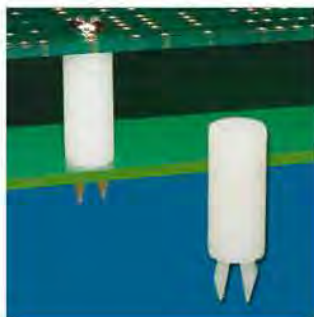


P.C. 板間隔柱 SPACER SUPPORT ———— 3-138-1

- MATERIAL: NYLON 66(UL)
- FLAME CLASS: 94V-2
- COLOR: NATURAL
- USE #6-32 UNC STANDARD TAPPING SCREW

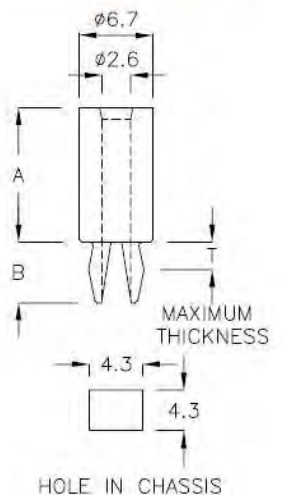


PART NO	A	B	T MAXIMUM THICKNESS	PACKAGE
TS-18	18.8	7.0	2.2	500



P.C. 板間隔柱 SPACER SUPPORT ———— 3-138-2

- MATERIAL: NYLON 66(UL)
- FLAME CLASS: 94V-2
- COLOR: NATURAL
- USE M3x22 STANDARD TAPPING SCREW

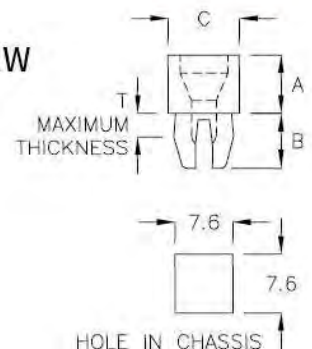


PART NO	A	B	T MAXIMUM THICKNESS	PACKAGE
TSA-16	15.9	5.5	1.6	200



P.C. 板間隔柱 SPACER SUPPORT ———— 3-138-3

- MATERIAL: NYLON 66(UL)
- FLAME CLASS: 94V-2
- COLOR: NATURAL
- USE #6-32 UNC STANDARD TAPPING SCREW



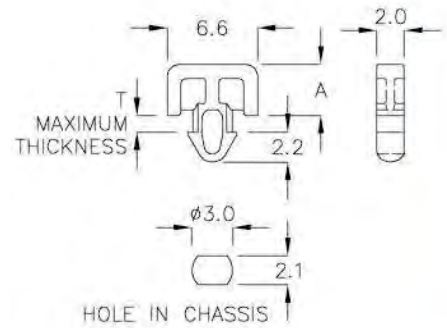
PART NO	A	B	C	T MAXIMUM THICKNESS	PACKAGE
TB-6A	1.0	7.0	9.5	2.2	1000
TB-6	1.3	7.0	9.5	2.2	
TB-7	7.6	7.1	9.4	2.2	500



P.C. 板間隔柱 SPACER SUPPORT ———— | 3-139-1 |

- MATERIAL: NYLON 66(UL)
- FLAME CLASS: 94V-2
- COLOR: NATURAL

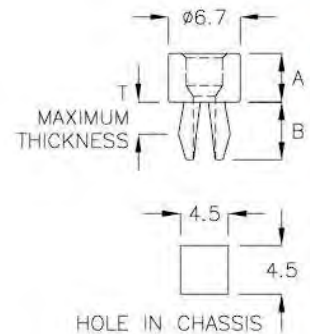
PART NO	A	T MAXIMUM THICKNESS	PACKAGE
LWH-3K	3.7	1.0	2000
LWH-5C	5.2	1.0	500



P.C. 板間隔柱 SPACER SUPPORT ———— | 3-139-2 |

- MATERIAL: NYLON 66(UL)
- FLAME CLASS: 94V-2
- COLOR: NATURAL
- USE M2.5 STANDARD TAPPING SCREW

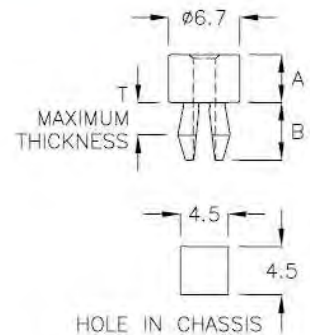
PART NO	A	B	T MAXIMUM THICKNESS	PACKAGE
TSC-4A	4.5	5.4	2.3	1000



P.C. 板間隔柱 SPACER SUPPORT ———— | 3-139-3 |

- MATERIAL: PC(UL)
- COLOR: NATURAL
- USE M3 STANDARD TAPPING SCREW

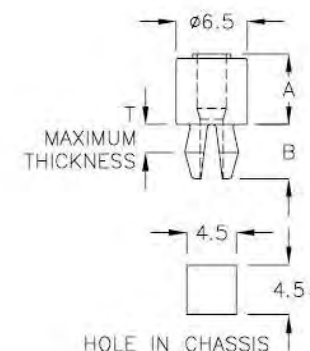
PART NO	A	B	T MAXIMUM THICKNESS	PACKAGE
TSC-4DK	4.5	5.4	2.3	1000

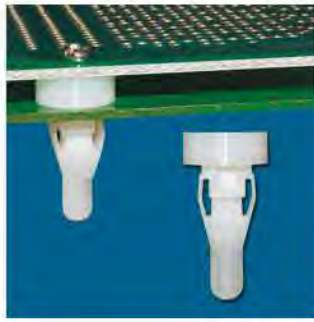


P.C. 板間隔柱 SPACER SUPPORT ———— | 3-139-4 |

- MATERIAL: NYLON 66(UL)
- FLAME CLASS: 94V-2
- COLOR: NATURAL
- USE M2.5 STANDARD TAPPING SCREW

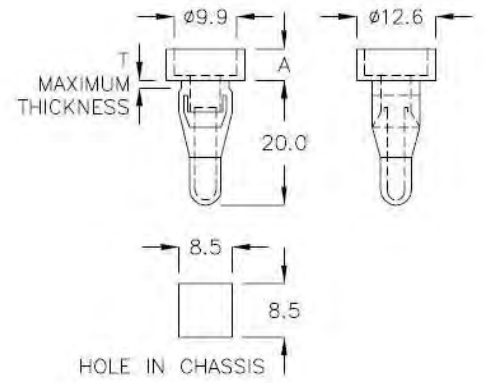
PART NO	A	B	T MAXIMUM THICKNESS	PACKAGE
TSD-6M	6.4	4.9	1.6	1000



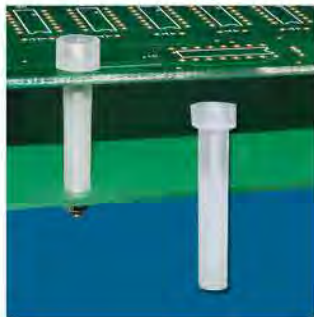


P.C. 板間隔柱 SPACER SUPPORT ———— 3-140-1

- MATERIAL: NYLON 66(UL)
- FLAME CLASS: 94V-2
- COLOR: NATURAL
- USE M4x10 STANDARD TAPPING SCREW

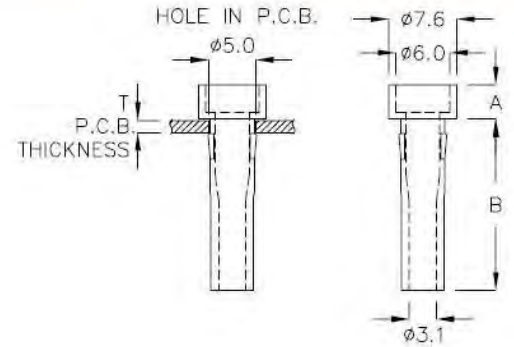


PART NO	A	T MAXIMUM THICKNESS	PACKAGE
TB-10	5.0	1.0	500
TB-10A	3.0	1.0	
TB-10C	0.8	1.0	

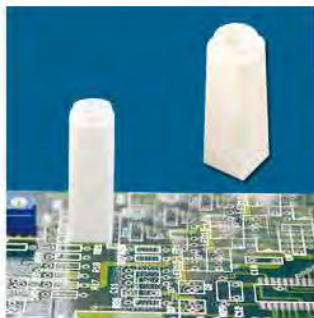


P.C. 板間隔柱 SPACER SUPPORT ———— 3-140-2

- MATERIAL: NYLON 66(UL)
- FLAME CLASS: 94V-2
- COLOR: NATURAL

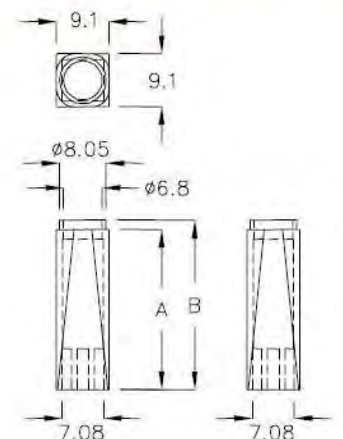


PART NO	A	B	T P.C.B. THICKNESS	PACKAGE
RMF-22	3.8	23.6	1.3~1.5	1000



固定座 MOUNT ———— 3-140-3

- MATERIAL: NYLON 66(UL)
- FLAME CLASS: 94V-2
- COLOR: NATURAL



PART NO	A	B	PACKAGE
RMF-21A	21.4	23.0	500
RMF-25A	25.9	27.5	
RMF-27A	27.7	29.3	
RMF-32A	32.3	34.4	

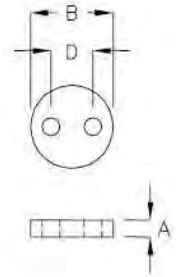


LED 套 LED HOLDER

4-53-1

- MATERIAL: NYLON 66(UL)
- FLAME CLASS: 94V-2
- COLOR: NATURAL

FOR $\phi 5$ 2PIN LED				
PART NO	A	B	D	PACKAGE
LED3-1TF	1.0	$\phi 5.0$	2.54	2000



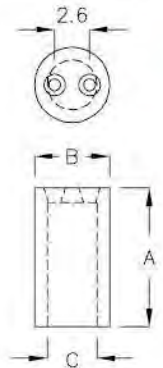
LED 套 LED HOLDER

4-53-2

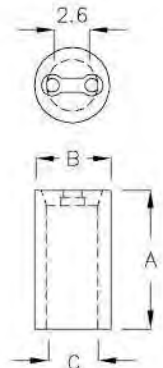
- MATERIAL: NYLON 66(UL)
- FLAME CLASS: 94V-2
- COLOR: NATURAL

FOR $\phi 5$ 2PIN LED				
PART NO	A	B	C	PACKAGE
* LED-2A	2.0	$\phi 5.0$	$\phi 3.7$	2000
* LED-2.5A	2.5	$\phi 5.0$	$\phi 3.7$	
* LED-3A	3.1	$\phi 5.0$	$\phi 3.7$	
* LED-3.5	3.5	$\phi 5.0$	$\phi 3.6$	
* LED-4C	4.0	$\phi 5.0$	$\phi 3.6$	
* LED-4.5A	4.5	$\phi 5.0$	$\phi 3.6$	
* LED-5A	5.0	$\phi 5.0$	$\phi 3.6$	
* LED-5.5	5.5	$\phi 5.0$	$\phi 3.6$	
* LED-6A	6.0	$\phi 5.0$	$\phi 3.6$	
* LED-6.5A	6.5	$\phi 5.0$	$\phi 3.5$	
* LED-7	7.0	$\phi 5.0$	$\phi 3.6$	
* LED-7.5A	7.5	$\phi 5.1$	$\phi 3.6$	
* LED-7.9	7.9	$\phi 5.0$	$\phi 3.6$	
* LED-8.5A	8.5	$\phi 5.0$	$\phi 3.6$	
* LED-9	9.0	$\phi 5.1$	$\phi 3.6$	
LED-9.5	9.5	$\phi 5.0$	$\phi 3.6$	
* LED-10	10.0	$\phi 5.0$	$\phi 3.5$	
* LED-10.6	10.7	$\phi 5.1$	$\phi 3.6$	
LED-11	11.0	$\phi 5.0$	$\phi 3.8$	
* LED-12A	12.0	$\phi 5.0$	$\phi 3.2$	
* LED-13	13.0	$\phi 5.0$	$\phi 3.6$	
* LED-13.8	13.8	$\phi 5.0$	$\phi 3.7$	
LED-14	14.0	$\phi 5.0$	$\phi 3.6$	
* LED-14A	14.0	$\phi 5.0$	$\phi 3.7$	
* LED-15KM	15.0	$\phi 5.0$	$\phi 3.5$	
* LED-15A	15.2	$\phi 5.0$	$\phi 3.7$	
* LED-16	16.0	$\phi 5.0$	$\phi 3.7$	
* LED-16A	16.4	$\phi 5.0$	$\phi 3.7$	
LED-18B	18.3	$\phi 5.1$	$\phi 3.6$	
LED-19	19.1	$\phi 5.0$	$\phi 3.9$	
* LED-20	20.2	$\phi 5.0$	$\phi 3.8$	
LED-21	21.0	$\phi 5.0$	$\phi 3.8$	
* LED-22	22.0	$\phi 5.1$	$\phi 3.9$	
* LED-23	23.0	$\phi 5.1$	$\phi 3.8$	
				500

LED 套無開槽



* LED 套開凹槽



- * LED HOLDER WITH CONCAVE
- * 表示 LED 套開凹槽

FOR $\phi 5$ 2PIN LED				
PART NO	A	B	C	PACKAGE
LED-2	2.2	$\phi 5.6$	$\phi 3.8$	2000
LED-2.5	2.6	$\phi 5.9$	$\phi 3.8$	
LED-3	3.2	$\phi 5.6$	$\phi 3.8$	
* LED-3.6	3.6	$\phi 5.6$	$\phi 3.8$	
LED-4	4.1	$\phi 5.6$	$\phi 3.8$	
* LED-4.5	4.5	$\phi 5.6$	$\phi 3.8$	
* LED-5	5.0	$\phi 5.6$	$\phi 3.8$	
* LED-6	6.0	$\phi 5.6$	$\phi 3.8$	
* LED-6S	6.1	$\phi 5.7$	$\phi 3.8$	
* LED-6.8	6.8	$\phi 5.6$	$\phi 3.8$	
LED-7.5	7.5	$\phi 5.6$	$\phi 3.8$	
* LED-8	8.0	$\phi 5.6$	$\phi 3.8$	
LED-8.8	8.8	$\phi 5.6$	$\phi 3.8$	
LED-9.8	9.8	$\phi 5.6$	$\phi 3.8$	
* LED-10A	10.0	$\phi 5.9$	$\phi 3.9$	
* LED-11A	11.2	$\phi 5.8$	$\phi 3.9$	
LED-12	12.0	$\phi 5.8$	$\phi 3.9$	
LED-15	15.1	$\phi 5.6$	$\phi 3.9$	
* LED-17	17.1	$\phi 5.6$	$\phi 3.9$	
LED-18.5	18.5	$\phi 5.7$	$\phi 3.9$	
LED-24	24.1	$\phi 5.8$	$\phi 3.9$	
LED-37	37.5	$\phi 5.8$	$\phi 3.9$	
				500

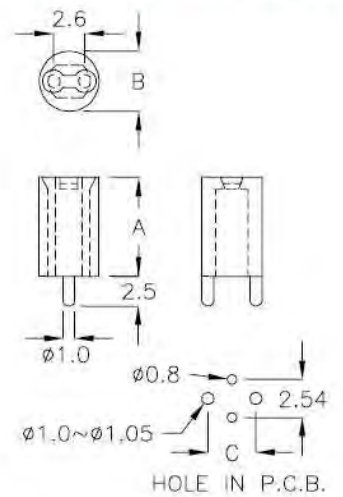


LED 套 LED HOLDER

4-54-1

- MATERIAL: NYLON 66(UL)
- FLAME CLASS: 94V-2
- COLOR: NATURAL

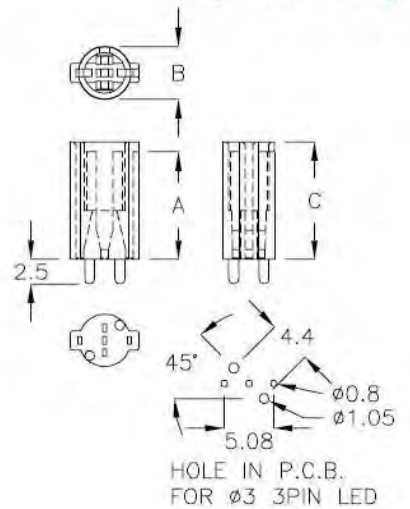
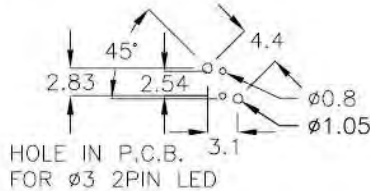
FOR $\phi 5$ 2PIN LED				
PART NO	A	B	C	PACKAGE
LED-4T	4.0	$\phi 5.0$	4.0	2000
LED-4DT	4.0	$\phi 4.2$	3.0	
LED-6T	6.0	$\phi 5.0$	4.0	
LED-7T	7.0	$\phi 5.0$	4.0	
LED-8T	8.0	$\phi 5.0$	4.0	
LED-10T	10.0	$\phi 5.0$	4.0	
LED-11T	11.0	$\phi 5.0$	4.0	1000
LED-12T	12.0	$\phi 5.1$	4.0	
LED-12AT	12.5	$\phi 5.0$	4.0	
LED-13T	13.0	$\phi 5.0$	4.0	
LED-14T	14.0	$\phi 5.0$	4.0	
LED-14FT	14.5	$\phi 5.0$	4.0	
LED-15T	15.0	$\phi 5.0$	4.0	
LED-17T	17.1	$\phi 5.6$	4.6	
LED-18T	18.3	$\phi 5.0$	4.0	
LED-19T	19.0	$\phi 5.0$	4.0	
LED-20T	20.0	$\phi 5.0$	4.0	
LED-24T	24.0	$\phi 5.0$	4.0	
LED-28T	28.0	$\phi 5.0$	4.0	



LED 座 LED HOUSING

4-54-2

- MATERIAL: NYLON 66(UL)
- FLAME CLASS: 94V-2
- COLOR: BLACK



Built-in Clamp Function

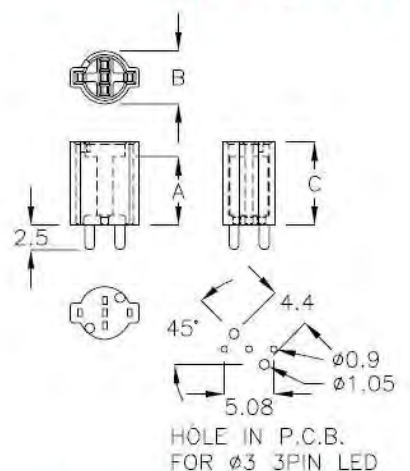
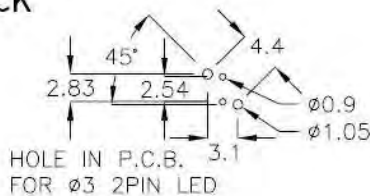
FOR $\phi 3$ 2PIN or 3PIN LED				
PART NO	A	B	C	PACKAGE
EQA-07	7.0	$\phi 5.4$	12.0	1000
EQA-11	11.0	$\phi 5.4$	12.0	



LED 座 LED HOUSING

4-54-3

- MATERIAL: NYLON 66(UL)
- FLAME CLASS: 94V-2
- COLOR: BLACK



Built-in Clamp Function

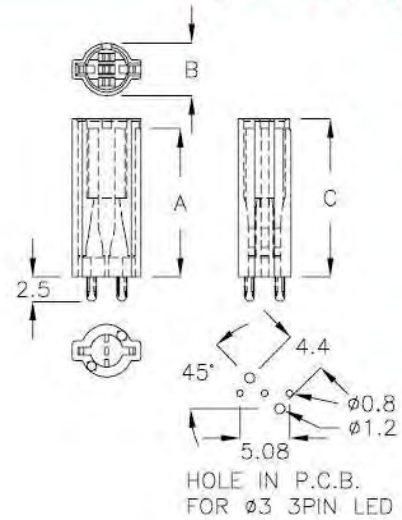
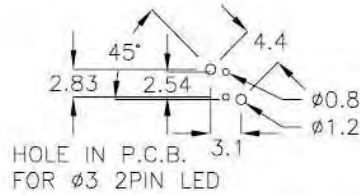
FOR $\phi 3$ 2PIN or 3PIN LED				
PART NO	A	B	C	PACKAGE
EQA-7PQ	7.0	$\phi 5.4$	8.5	1000



LED 座 LED HOUSING

4-55-1

- MATERIAL: NYLON 66(UL)
- FLAME CLASS: 94V-2
- COLOR: NATURAL



Built-In Clamp Function

FOR Ø3 2PIN or 3PIN LED

PART NO	A	B	C	PACKAGE
EQF-19	19.0	Ø5.4	20.0	1000

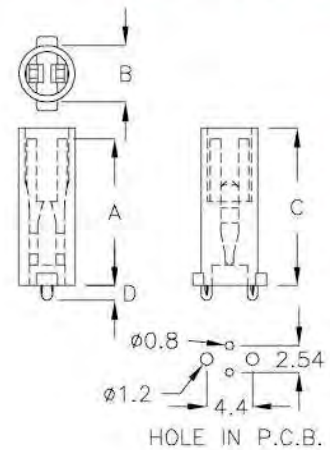


LED 座 LED HOUSING

4-55-2

- MATERIAL: NYLON 66(UL)
- FLAME CLASS: 94V-2
- COLOR: NATURAL

FOR Ø3 2PIN LED					1000
PART NO	A	B	C	D	
EQH-14	14.0	Ø5.4	15.0	1.4	
EQH-17	17.0	Ø5.4	18.0	1.8	
EQH-21	21.0	Ø5.4	22.0	1.8	

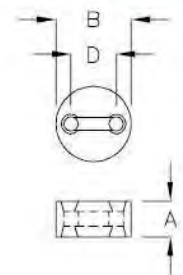


LED 套 LED HOLDER

4-55-3

- MATERIAL: NYLON 66(UL)
- FLAME CLASS: 94V-2
- COLOR: NATURAL

FOR Ø3 2PIN LED				
PART NO	A	B	D	PACKAGE
LED3-2A	2.0	Ø4.2	2.54	2000



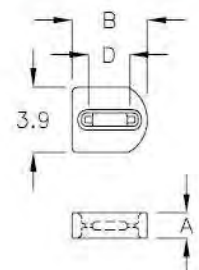
LED 套 LED HOLDER

4-55-4

- MATERIAL: NYLON 66(UL)
- FLAME CLASS: 94V-2
- COLOR: NATURAL

Built-In Clamp Function

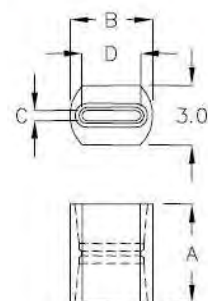
FOR Ø3 2PIN LED				
PART NO	A	B	D	PACKAGE
LED3-1SQ	1.5	4.5	2.54	2000



**LED 套 LED HOLDER****4-56-1**

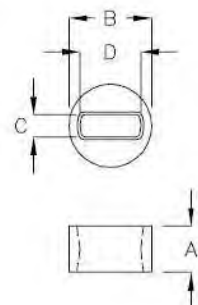
- MATERIAL: NYLON 66(UL)
- FLAME CLASS: 94V-2
- COLOR: NATURAL, BLACK

FOR $\phi 3$ 2PIN LED					
PART NO	A	B	C	D	PACKAGE
LED3-1D	1.5	$\phi 4.2$	0.5	3.0	2000
LED3-5GW	5.0	$\phi 4.2$	0.5	3.0	
LED3-9K	9.0	$\phi 4.2$	0.5	3.0	

**LED 套 LED HOLDER****4-56-2**

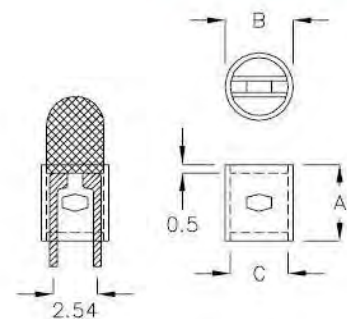
- MATERIAL: NYLON 66(UL)
- FLAME CLASS: 94V-2
- COLOR: NATURAL, BLACK

FOR $\phi 3$ 2PIN LED					
PART NO	A	B	C	D	PACKAGE
LED3-1A	1.5	$\phi 4.2$	0.8	3.0	2000
LED3-1B	1.6	$\phi 4.0$	0.7	3.05	
LED3-1C	0.8	$\phi 4.2$	1.0	3.0	
LED3-2B	2.3	$\phi 4.2$	1.1	3.05	
LED3-2.5	2.5	$\phi 4.1$	1.25	3.05	
LED3-3B	3.3	$\phi 4.2$	1.0	3.05	

**LED 套 LED HOLDER****4-56-3**

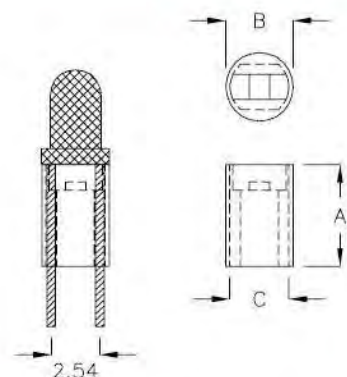
- MATERIAL: NYLON 66(UL)
- FLAME CLASS: 94V-2
- COLOR: NATURAL

FOR $\phi 3$ 2PIN LED					
PART NO	A	B	C	PACKAGE	
LED3-4M	4.6	$\phi 4.2$	$\phi 3.4$	2000	

**LED 套 LED HOLDER****4-56-4**

- MATERIAL: NYLON 66(UL)
- FLAME CLASS: 94V-2
- COLOR: NATURAL

FOR $\phi 3$ 2PIN LED					
PART NO	A	B	C	PACKAGE	
LED3-4DK	4.0	$\phi 4.0$	$\phi 3.5$	2000	
LED3-6DC	6.0	$\phi 4.0$	$\phi 3.2$		
LED3-7K	7.5	$\phi 4.0$	$\phi 3.3$		



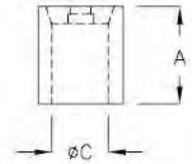
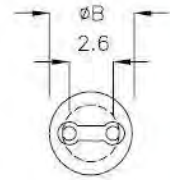


LED 套 LED HOLDER

4-57-1

- MATERIAL: NYLON 66(UL)
- FLAME CLASS: 94V-2
- COLOR: NATURAL

FOR $\phi 3$ 2PIN LED				
PART NO	A	B	C	PACKAGE
LED-3.8	3.8	4.1	3.1	2000
LED-4A	4.1	4.1	3.1	



LED 套 LED HOLDER

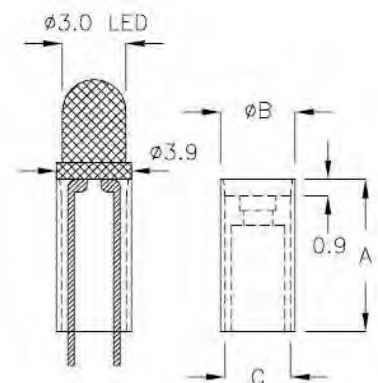
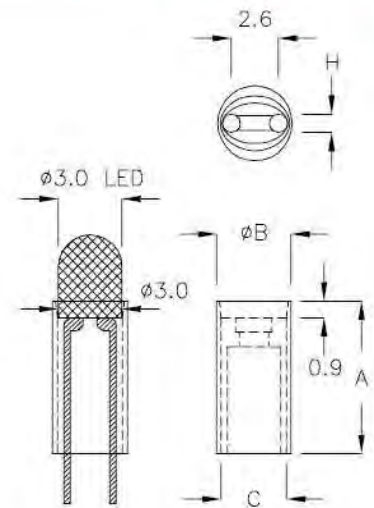
4-57-2

- MATERIAL: NYLON 66(UL)
- FLAME CLASS: 94V-2
- COLOR: NATURAL

FOR $\phi 3$ 2PIN LED				
PART NO	A	B	C	PACKAGE
LED3-3S	2.8	4.2	3.5	2000
LED3-3	3.0	4.2	3.5	
LED3-3A	3.5	4.2	3.5	
* LED3-4	4.0	4.2	3.5	
LED3-4A	4.5	4.2	3.5	
LED3-5	5.0	4.2	3.5	
LED3-5B	5.5	4.2	3.5	
LED3-6	6.1	4.2	3.5	
* LED3-6B	6.5	4.2	3.5	
LED3-7	7.0	4.2	3.5	
LED3-7B	7.6	4.2	3.5	
LED3-8	8.0	4.2	3.6	
LED3-8B	8.5	4.2	3.6	
LED3-9	9.0	4.2	3.6	
LED3-9A	9.2	4.2	3.6	
LED3-9B	9.5	4.2	3.6	
LED3-10	10.0	4.2	3.6	
LED3-11	11.1	4.2	3.5	
LED3-12	12.0	4.2	3.5	
* LED3-12B	12.5	4.2	3.6	
LED3-13	13.0	4.2	3.5	
LED3-14	14.0	4.2	3.6	
* LED3-15	15.0	4.2	3.5	
LED3-15A	15.0	4.1	3.6	
LED3-16	16.0	4.2	3.5	
* LED3-17	17.0	4.2	3.5	
LED3-18	18.0	4.2	3.5	
* LED3-18B	18.5	4.2	3.5	
LED3-19	19.0	4.2	3.5	
* LED3-20	20.0	4.2	3.5	
* LED3-21	21.0	4.2	3.5	
* LED3-22	22.0	4.2	3.5	
LED3-23	23.0	4.2	3.5	
LED3-25	25.0	4.4	3.5	

*表示 LED 套的H位置為橢圓孔

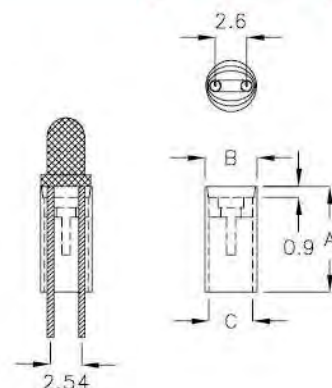
* LED HOLDER WITH AN OVAL HOLE "H"



**LED 套 LED HOLDER**

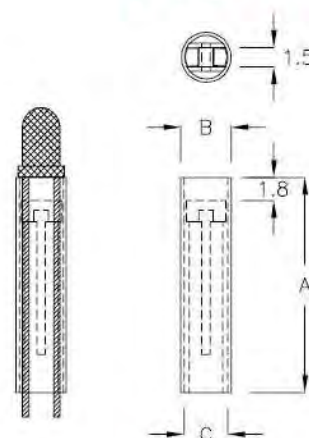
- MATERIAL: NYLON 66(UL)
- FLAME CLASS: 94V-2
- COLOR: NATURAL

FOR $\phi 3$ 2PIN LED				
PART NO	A	B	C	PACKAGE
LED3-8F	8.5	$\phi 4.2$	$\phi 3.6$	2000

**4-58-1****LED 套 LED HOLDER**

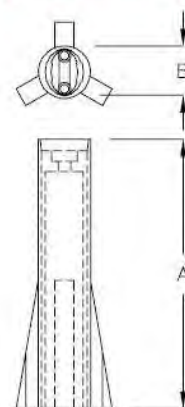
- MATERIAL: NYLON 66(UL)
- FLAME CLASS: 94V-2
- COLOR: NATURAL

FOR $\phi 3$ 2PIN LED				
PART NO	A	B	C	PACKAGE
LED3-17K	17.1	$\phi 4.0$	$\phi 3.5$	1000

**4-58-2****LED 套 LED HOLDER**

- MATERIAL: NYLON 66(UL)
- FLAME CLASS: 94V-2
- COLOR: NATURAL

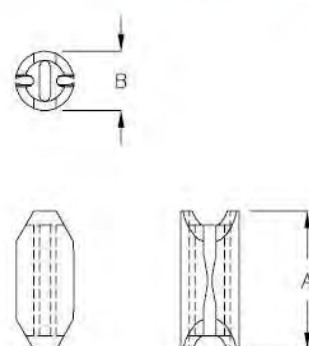
FOR $\phi 3$ 2PIN LED			
PART NO	A	B	PACKAGE
LED3-21F	21.0	$\phi 4.2$	1000

**4-58-3****LED 套 LED HOLDER**

- MATERIAL: NYLON 66(UL)
- FLAME CLASS: 94V-2
- COLOR: NATURAL

Built-In Clamp Function

FOR $\phi 3$ 2PIN LED			
PART NO	A	B	PACKAGE
EET-10	10.0	$\phi 4.25$	2000

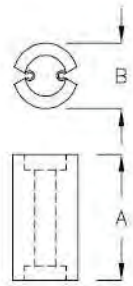
**4-58-4**

**LED 套 LED HOLDER****4-59-1**

- MATERIAL: NYLON 66(UL)
- FLAME CLASS: 94V-2
- COLOR: NATURAL, BLACK

Built-In Clamp Function

FOR $\phi 3$ & $\phi 5$ 2PIN LED			
PART NO	A	B	PACKAGE
EDG-10	10.0	$\phi 5.2$	2000

**LED 套 LED HOLDER****4-59-2**

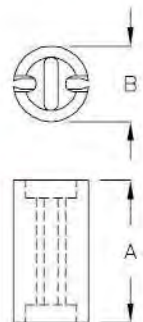
- MATERIAL: NYLON 66(UL)
- FLAME CLASS: 94V-2
- COLOR: NATURAL, BLACK

Built-In Clamp Function

FOR $\phi 3$ or $\phi 5$ 2PIN LED			
PART NO	A	B	PACKAGE
EDP-02	2.0	$\phi 4.25$	2000
EDP-2M	2.5	$\phi 4.25$	
EDP-3M	3.5	$\phi 4.25$	
EDP-04	4.0	$\phi 4.25$	
EDP-4A	4.5	$\phi 4.25$	
EDP-05	5.0	$\phi 4.25$	
EDP-5A	5.5	$\phi 4.25$	
EDP-06	6.0	$\phi 4.25$	

Built-In Clamp Function

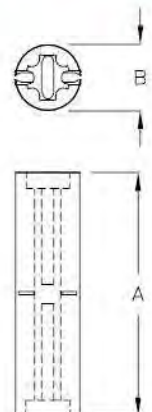
FOR $\phi 3$ or $\phi 5$ 2PIN LED			
PART NO	A	B	PACKAGE
EDP-6A	6.5	$\phi 4.25$	2000
EDP-07	7.0	$\phi 4.25$	
EDP-7A	7.5	$\phi 4.25$	
EDP-08	8.0	$\phi 4.25$	
EDP-8A	8.5	$\phi 4.25$	
EDP-09	9.0	$\phi 4.25$	
EDP-9A	9.5	$\phi 4.25$	
EDP-10	10.0	$\phi 4.25$	
EDP-10A	10.5	$\phi 4.25$	
EDP-11	11.0	$\phi 4.25$	
EDP-11A	11.5	$\phi 4.25$	
EDP-12	12.0	$\phi 4.25$	
EDP-12A	12.5	$\phi 4.25$	
EDP-17	17.0	$\phi 4.25$	

**LED 套 LED HOLDER****4-59-3**

- MATERIAL: NYLON 66(UL)
- FLAME CLASS: 94V-2
- COLOR: NATURAL, BLACK

Built-In Clamp Function

FOR $\phi 3$ & $\phi 5$ 2PIN LED			
PART NO	A	B	PACKAGE
EDP-23	23.0	$\phi 4.25$	1000

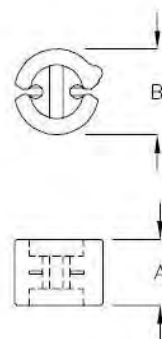


**LED 套 LED HOLDER****4-60-1**

- MATERIAL: NYLON 66(UL)
- FLAME CLASS: 94V-2
- COLOR: NATURAL, BLACK

Built-In Clamp Function

FOR $\phi 3$ & $\phi 5$ 2PIN LED			
PART NO	A	B	PACKAGE
EDD-4FQ	4.0	$\phi 5.2$	2000

**LED 套 LED HOLDER****4-60-2**

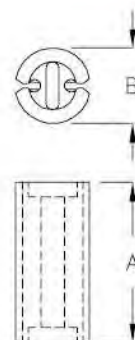
- MATERIAL: NYLON 66(UL)
- FLAME CLASS: 94V-2
- COLOR: NATURAL, BLACK

Built-In Clamp Function

FOR $\phi 3$ or $\phi 5$ 2PIN LED			
PART NO	A	B	PACKAGE
EDG-06	6.0	$\phi 5.2$	2000
EDG-6A	6.5	$\phi 5.2$	
EDG-07	7.0	$\phi 5.2$	
EDG-7A	7.5	$\phi 5.2$	
EDG-08	8.0	$\phi 5.2$	
EDG-8A	8.5	$\phi 5.2$	
EDG-09	9.0	$\phi 5.2$	
EDG-9A	9.5	$\phi 5.2$	
EDG-10A	10.0	$\phi 5.2$	
EDG-10C	10.5	$\phi 5.2$	
EDG-11	11.0	$\phi 5.2$	
EDG-11A	11.5	$\phi 5.2$	
EDG-12	12.0	$\phi 5.2$	
EDG-12A	12.5	$\phi 5.2$	

Built-In Clamp Function

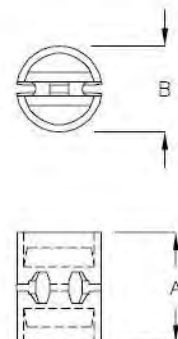
FOR $\phi 3$ or $\phi 5$ 2PIN LED			
PART NO	A	B	PACKAGE
EDG-02	2.0	$\phi 5.2$	2000
EDG-2M	2.5	$\phi 5.2$	
EDG-3M	3.5	$\phi 5.2$	
EDG-04	4.0	$\phi 5.2$	
EDG-4A	4.5	$\phi 5.2$	
EDG-05	5.0	$\phi 5.2$	
EDG-5A	5.5	$\phi 5.2$	

**LED 套 LED HOLDER****4-60-3**

- MATERIAL: NYLON 66(UL)
- FLAME CLASS: 94V-2
- COLOR: NATURAL, BLACK

Built-In Clamp Function

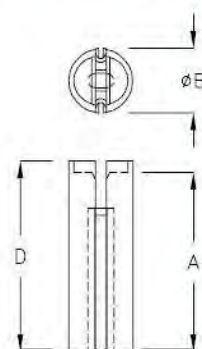
FOR $\phi 3$ 3PIN LED			
PART NO	A	B	PACKAGE
ECW-06	7.0	$\phi 5.4$	2000



**LED 套 LED HOLDER****4-61-1**

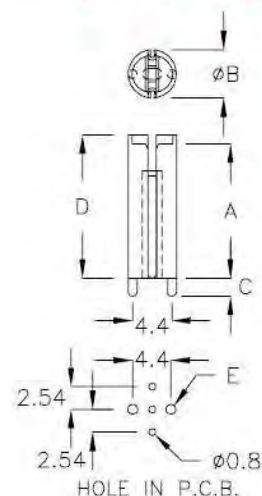
- MATERIAL: NYLON 66(UL)
- FLAME CLASS: 94V-2
- COLOR: BLACK

FOR $\phi 3$ 3PIN LED				
PART NO	A	B	D	PACKAGE
EEP-15	15.0	$\phi 5.4$	16.0	2000

**LED 套 LED HOLDER****4-61-2**

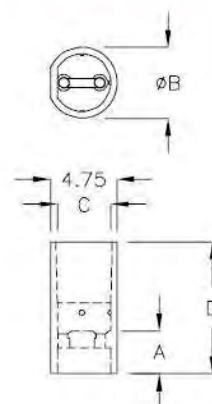
- MATERIAL: NYLON 66(UL)
- FLAME CLASS: 94V-2
- COLOR: BLACK

FOR $\phi 3$ 3PIN LED						
PART NO	A	B	C	D	E	PACKAGE
EEG-08	7.0	$\phi 5.4$	1.5	8.0	$\phi 1.05$	2000
EEG-15	15.0	$\phi 5.4$	2.0	16.0	$\phi 1.10$	1000

**LED 套 LED HOLDER****4-61-3**

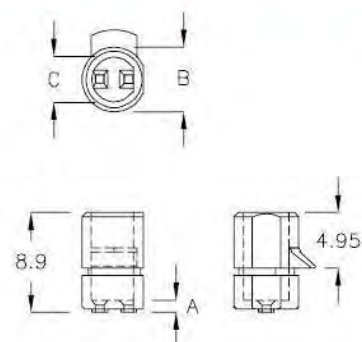
- MATERIAL: NYLON 66(UL)
- FLAME CLASS: 94V-2
- COLOR: BLACK

FOR $\phi 3$ 2PIN LED					
PART NO	A	B	C	D	PACKAGE
QLW-02	2.0	$\phi 5.0$	$\phi 4.1$	7.9	2000
QLW-2A	2.0	$\phi 5.0$	$\phi 4.1$	6.6	
QLW-03	4.5	$\phi 5.0$	$\phi 4.1$	10.0	

**LED 套 LED HOLDER****4-61-4**

- MATERIAL: NYLON 66(UL)
- FLAME CLASS: 94V-2
- COLOR: BLACK

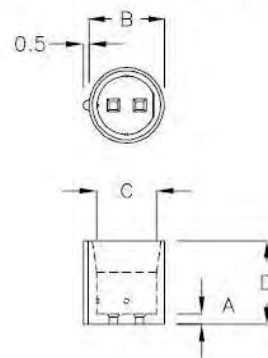
FOR $\phi 3$ 2PIN LED				
PART NO	A	B	C	PACKAGE
QQA-3AD	1.1	$\phi 5.8$	$\phi 4.1$	2000



**LED 套 LED HOLDER**

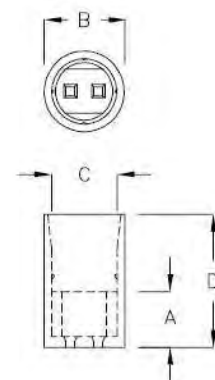
- MATERIAL: NYLON 66(UL)
- FLAME CLASS: 94V-2
- COLOR: BLACK

FOR $\phi 5$ 2PIN LED					
PART NO	A	B	C	D	PACKAGE
QLS-1A	1.0	$\phi 7.4$	$\phi 5.9$	8.0	2000

**LED 套 LED HOLDER**

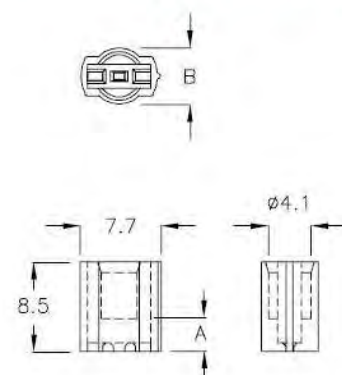
- MATERIAL: NYLON 66(UL)
- FLAME CLASS: 94V-2
- COLOR: BLACK

FOR $\phi 5$ 2PIN LED					
PART NO	A	B	C	D	PACKAGE
QLS-05	5.0	$\phi 7.4$	$\phi 6.0$	12.0	2000

**LED 套 LED HOLDER**

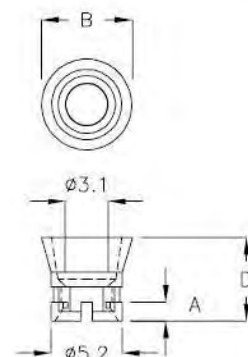
- MATERIAL: NYLON 66(UL)
- FLAME CLASS: 94V-2
- COLOR: BLACK

FOR $\phi 3$ 3PIN LED			
PART NO	A	B	PACKAGE
QBU-03	3.1	$\phi 5.4$	2000

**LED 套 LED HOLDER**

- MATERIAL: NYLON 66(UL)
- FLAME CLASS: 94V-2
- COLOR: BLACK

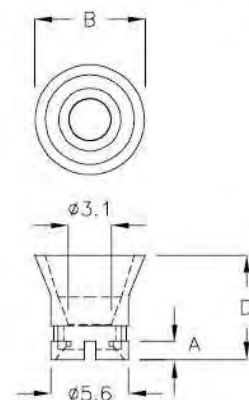
FOR $\phi 3$ 3PIN LED				
PART NO	A	B	D	PACKAGE
QLH-01	1.35	$\phi 6.6$	6.0	2000



**LED 套 LED HOLDER****4-63-1**

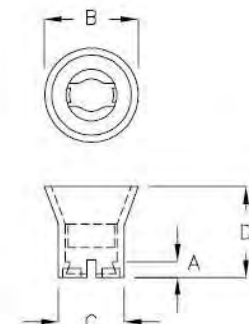
- MATERIAL: NYLON 66(UL)
- FLAME CLASS: 94V-2
- COLOR: BLACK

FOR $\phi 3$ 3PIN LED					
PART NO	A	B	D	PACKAGE	
QLH-2A	1.35	$\phi 8.0$	7.5	2000	

**LED 套 LED HOLDER****4-63-2**

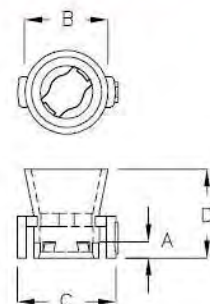
- MATERIAL: NYLON 66(UL)
- FLAME CLASS: 94V-2
- COLOR: BLACK

FOR $\phi 3$ 3PIN LED					
PART NO	A	B	C	D	PACKAGE
QLM-3AF	1.3	$\phi 8.0$	$\phi 5.6$	7.7	2000
QLM-3CP	1.3	$\phi 6.6$	$\phi 5.2$	6.0	

**LED 座 LED HOUSING****4-63-3**

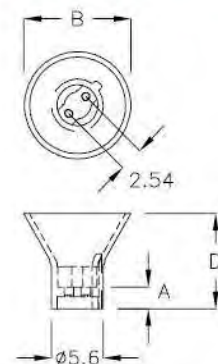
- MATERIAL: NYLON 66(UL)
- FLAME CLASS: 94V-2
- COLOR: BLACK

FOR $\phi 3$ 3PIN LED					
PART NO	A	B	C	D	PACKAGE
QLP-3CA	1.3	$\phi 8.0$	8.4	7.7	2000
QLP-3FG	1.3	$\phi 6.6$	7.8	7.0	

**LED 座 LED HOUSING****4-63-4**

- MATERIAL: NYLON 66(UL)
- FLAME CLASS: 94V-2
- COLOR: BLACK

FOR $\phi 3$ 2PIN LED					
PART NO	A	B	D	PACKAGE	
QLR-3KH	2.35	11.5	10.2	2000	

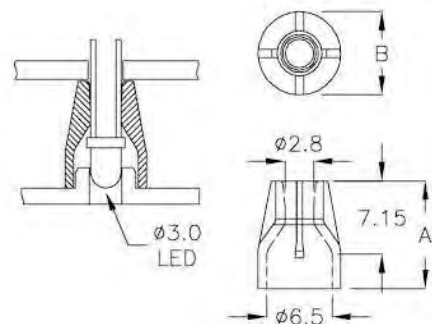




LED 套 LED HOLDER

- MATERIAL: TPE
- COLOR: BLACK

FOR $\phi 3$ 2PIN LED			
PART NO	A	B	PACKAGE
MTD-13HK	10.5	$\phi 8.1$	1000



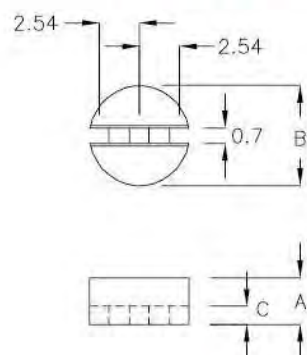
4-64-1



LED 套 LED HOLDER

- MATERIAL: NYLON 66(UL)
- FLAME CLASS: 94V-2
- COLOR: NATURAL

FOR $\phi 5$ 3PIN LED				
PART NO	A	B	C	PACKAGE
LED-1x3A	1.6	$\phi 7.4$	0.5	2000



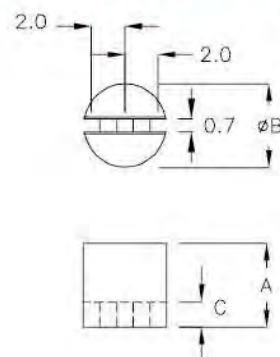
4-64-2



LED 套 LED HOLDER

- MATERIAL: NYLON 66(UL)
- FLAME CLASS: 94V-2
- COLOR: NATURAL

FOR $\phi 3$ 3PIN LED				
PART NO	A	B	C	PACKAGE
LED-3x3A	3.0	5.0	1.0	2000
LED-4x3A	4.0	5.0	1.0	
LED-5x3A	5.0	5.0	1.5	
LED-5Cx3A	5.5	5.0	1.5	
LED-14x3A	14.0	5.0	9.0	1000



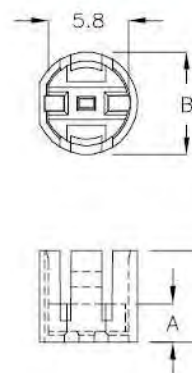
4-64-3



LED 套 LED HOLDER

- MATERIAL: NYLON 66(UL)
- FLAME CLASS: 94V-2
- COLOR: NATURAL

FOR $\phi 5$ 3PIN LED				
PART NO	A	B	D	PACKAGE
QLF-3A	2.8	$\phi 7.1$	6.6	2000

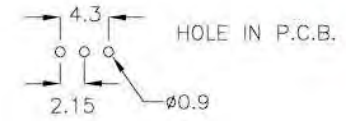
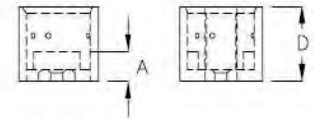
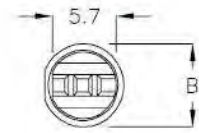


4-64-4

**LED 套 LED HOLDER****4-65-1**

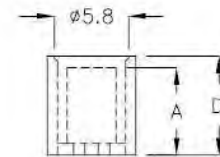
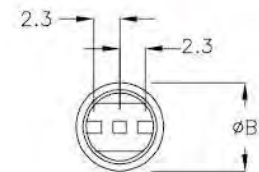
- MATERIAL: NYLON 66(UL)
- FLAME CLASS: 94V-2
- COLOR: NATURAL

FOR $\phi 5$ 3PIN LED				
PART NO	A	B	D	PACKAGE
LED-2Mx3	2.6	$\phi 7.4$	6.6	1000

**LED 套 LED HOLDER****4-65-2**

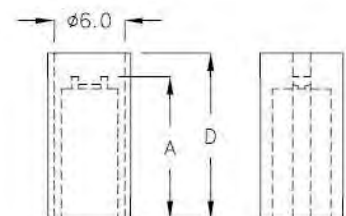
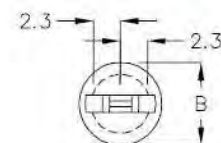
- MATERIAL: NYLON 66(UL)
- FLAME CLASS: 94V-2
- COLOR: NATURAL

FOR $\phi 5$ 3PIN LED				
PART NO	A	B	D	PACKAGE
LED-5Sx3	5.0	7.4	6.0	2000
LED-4Sx3	4.4	7.4	6.0	
LED-5x3	5.5	7.4	6.5	1000
LED-5Kx3	5.0	7.4	7.7	
LED-7x3	7.0	7.5	8.1	
LED-8x3	8.0	7.4	9.0	
LED-8Mx3	8.5	7.4	9.5	
LED-10x3	10.5	7.4	11.5	
LED-16x3	13.8	7.2	16.0	500

**LED 套 LED HOLDER****4-65-3**

- MATERIAL: NYLON 66(UL)
- FLAME CLASS: 94V-2
- COLOR: NATURAL

FOR $\phi 5$ 3PIN LED				
PART NO	A	B	D	PACKAGE
LED-14X3	12.0	$\phi 7.0$	14.0	500

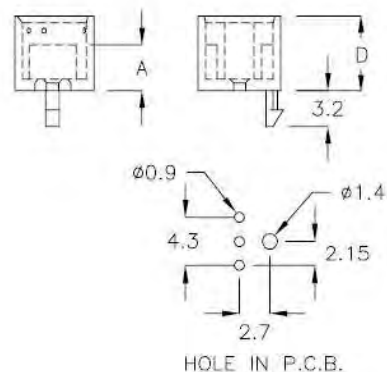
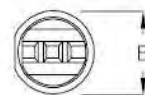




LED 套 LED HOLDER

- MATERIAL: NYLON 66(UL)
- FLAME CLASS: 94V-2
- COLOR: NATURAL

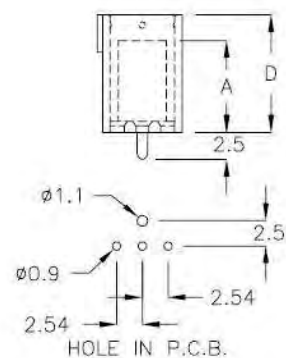
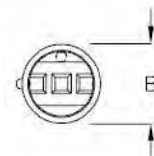
FOR $\phi 5$ 3PIN LED				
PART NO	A	B	D	PACKAGE
LED-1Tx3	2.6	$\phi 7.4$	6.6	1000
LED-4Tx3	4.0	$\phi 7.4$	6.7	



LED 套 LED HOLDER

- MATERIAL: NYLON 66(UL)
- FLAME CLASS: 94V-2
- COLOR: NATURAL

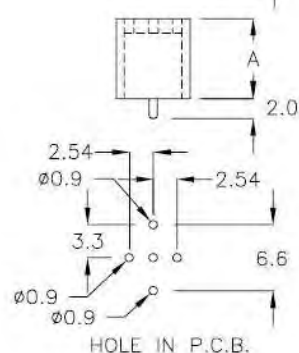
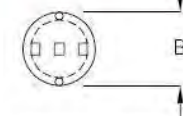
FOR $\phi 5$ 3PIN LED				
PART NO	A	B	D	PACKAGE
QBE-8M	8.5	$\phi 7.5$	10.9	1000



LED 套 LED HOLDER

- MATERIAL: NYLON 66(UL)
- FLAME CLASS: 94V-2
- COLOR: NATURAL

FOR $\phi 5$ 3PIN LED			
PART NO	A	B	PACKAGE
QBK-08	8.0	$\phi 7.4$	2000

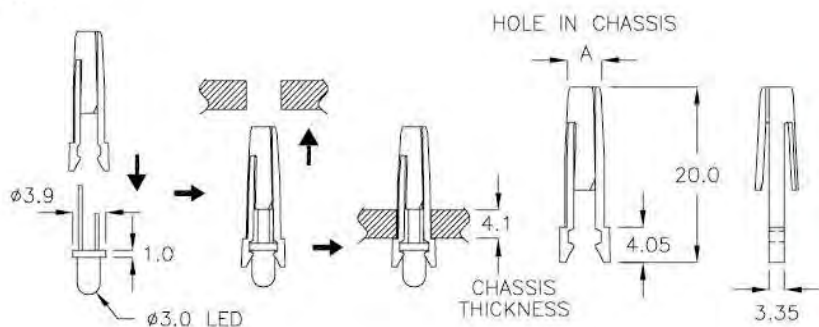




固定座 MOUNT

4-67-1

- MATERIAL: NYLON 66(UL)
- FLAME CLASS: 94V-2
- COLOR: BLACK



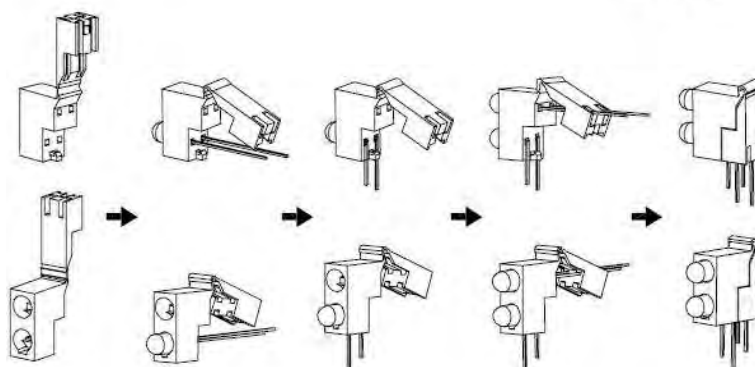
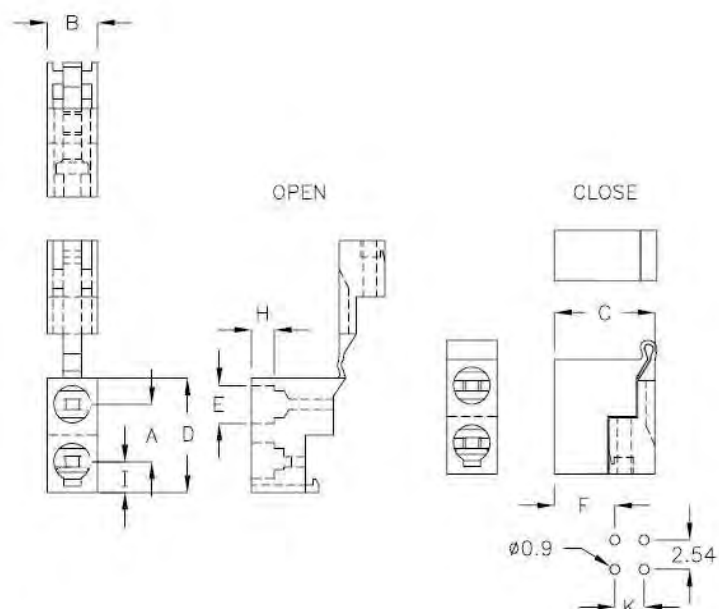
PART NO	A HOLE IN CHASSIS	PACKAGE
MTX-4JQ	ø4.5	1000



LED座 LED HOUSING

4-67-2

- MATERIAL: NYLON 66(UL)
- FLAME CLASS: 94V-2
- COLOR: BLACK



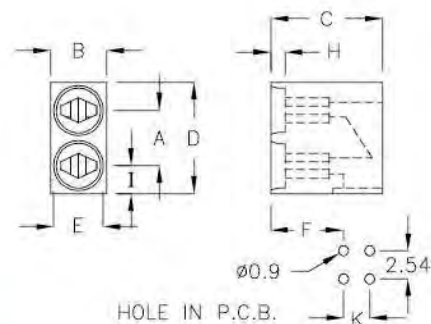
PART NO	A	B	C	D	E	F	H	I	K	SUITABLE LED	PACKAGE
2LED-3Q	5.0	4.5	8.9	10.0	ø3.3	5.3	2.0	2.7	2.6	ø3 2PIN	1000



LED 座 LED HOUSING

4-68-1

- MATERIAL: NYLON 66(UL)
- FLAME CLASS: 94V-2
- COLOR: BLACK



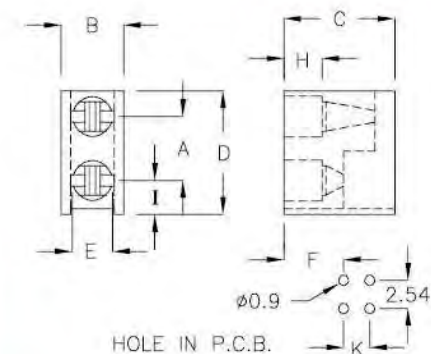
PART NO	A	B	C	D	E	F	H	I	K	SUITABLE LED	PACKAGE
2LED-3	5.0	5.1	10.1	10.0	∅3.9	7.1	1.3	2.5	2.6	∅3 2PIN	1000



LED 座 LED HOUSING

4-68-2

- MATERIAL: NYLON 66(UL)
- FLAME CLASS: 94V-2
- COLOR: BLACK



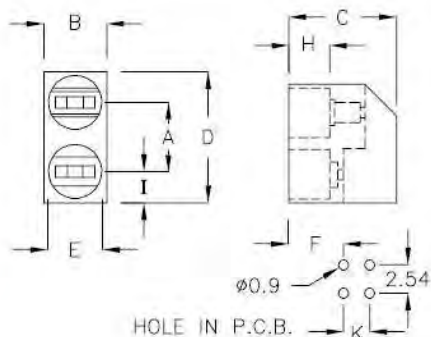
PART NO	A	B	C	D	E	F	H	I	K	SUITABLE LED	PACKAGE
2LED-3A	5.0	4.4	8.8	9.7	∅3.2	5.2	2.0	2.7	2.5	∅3 2PIN	1000
2LED-3B	5.0	5.0	8.9	9.8	∅3.2	5.2	3.0	2.7	2.5	∅3 2PIN	
2LED-3C	5.0	5.0	10.1	9.6	∅3.2	7.1	1.3	2.5	2.6	∅3 2PIN	
2LED-3D	5.0	4.4	9.0	9.8	∅3.4	5.45	1.5	2.6	2.55	∅3 2PIN	
2LED-3E	5.0	4.4	9.0	9.8	∅3.4	5.45	2.0	2.6	2.55	∅3 2PIN	
2LED-3P	6.0	4.4	9.7	13.5	∅3.3	6.2	2.0	5.0	2.55	∅3 2PIN	



LED 座 LED HOUSING

4-68-3

- MATERIAL: NYLON 66(UL)
- FLAME CLASS: 94V-2
- COLOR: BLACK



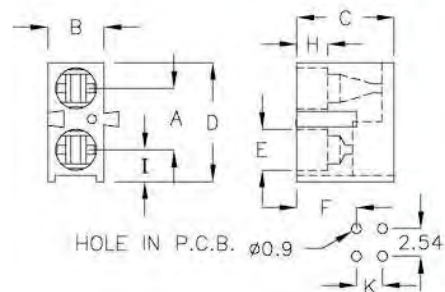
PART NO	A	B	C	D	E	F	K	H	I	SUITABLE LED	PACKAGE
2LED-5	6.2	5.9	11.0	12.0	∅5.0	6.1	2.4	4.2	2.85	∅5 2PIN	500



LED 座 LED HOUSING

4-69-1

- MATERIAL: NYLON 66(UL)
- FLAME CLASS: 94V-2
- COLOR: BLACK



FOR ø3 2PIN LED

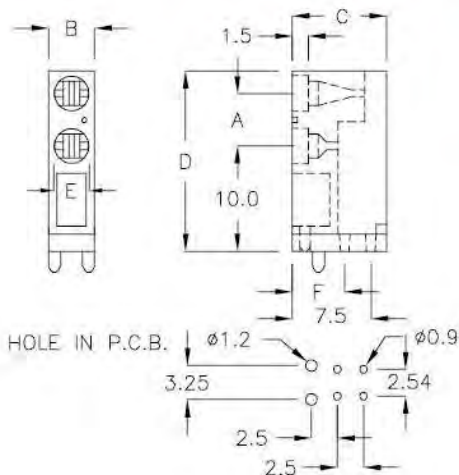
PART NO	A	B	C	D	E	F	H	I	K	PACKAGE
2LED-3F	5.0	4.6	8.0	9.7	ø3.3	5.1	2.6	2.6	2.4	1000
2LED-3H	5.1	4.3	8.1	12.6	ø3.2	4.8	2.0	4.6	2.6	
2LED-3J	5.0	4.4	9.0	9.7	ø3.35	5.3	1.5	2.6	2.5	



LED 座 LED HOUSING

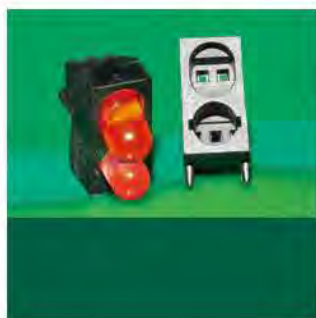
4-69-2

- MATERIAL: NYLON 66(UL)
- FLAME CLASS: 94V-2
- COLOR: BLACK



FOR ø3 2PIN LED

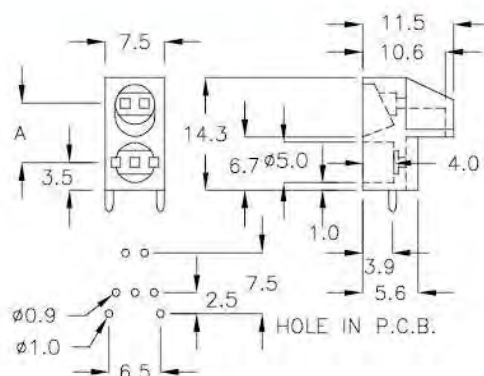
PART NO	A	B	C	D	E	F	PACKAGE
2LED-3K	5.0	4.4	9.0	17.1	ø3.4	5.0	1000



LED 座 LED HOUSING

4-69-3

- MATERIAL: NYLON 66(UL)
- FLAME CLASS: 94V-2
- COLOR: BLACK

FOR ø5 2 PIN LED
ø5 3 PIN LED

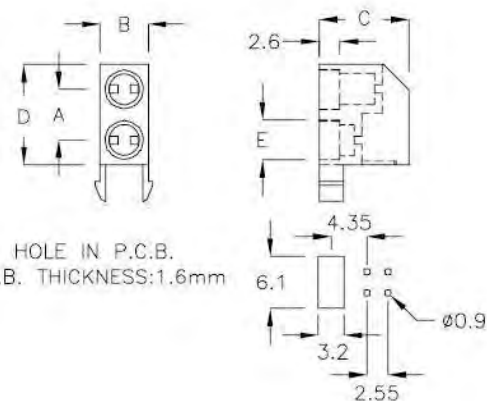
PART NO	A	PACKAGE
2LED-5A	7.45	500



LED 座 LED HOUSING

4-70-1

- MATERIAL: PC(UL)
- FLAME CLASS: 94V-2
- COLOR: BLACK



Built-In Clamp Function

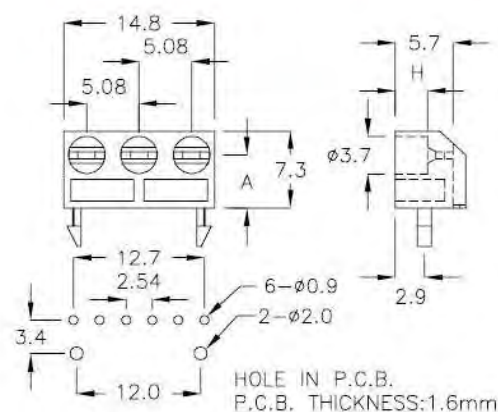
PART NO	A	B	C	D	E	SUITABLE LED	PACKAGE
2LED-5C	6.3	6.0	11.2	12.5	∅4.9	∅5 2PIN	500



LED 座 LED HOUSING

4-70-2

- MATERIAL: NYLON 66(UL)
- FLAME CLASS: 94V-2
- COLOR: BLACK



Built-In Clamp Function

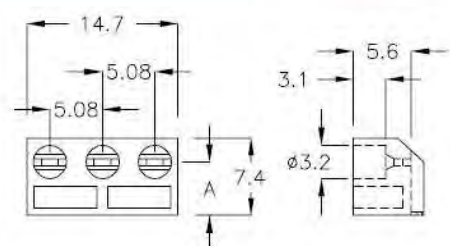
FOR ∅3 2PIN LED			
PART NO	A	H	PACKAGE
3LED-3AT	5.1	3.2	500
3LED-3BT	5.1	2.0	



LED 座 LED HOUSING

4-70-3

- MATERIAL: NYLON 66(UL)
- FLAME CLASS: 94V-2
- COLOR: BLACK



Built-In Clamp Function

FOR ∅3 2PIN LED		
PART NO	A	PACKAGE
3LED-3C	5.1	500



LED 座 LED HOUSING

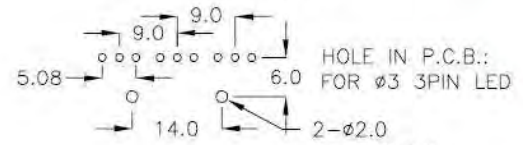
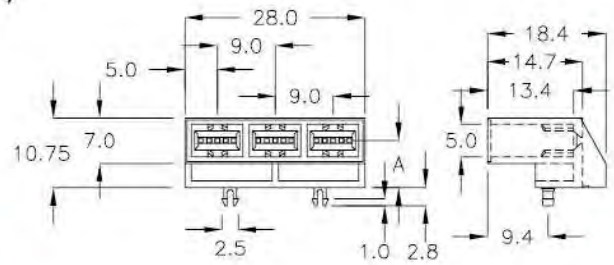
4-71-1

- MATERIAL: NYLON 66(UL)
- FLAME CLASS: 94V-2
- COLOR: BLACK

Built-In Clamp Function

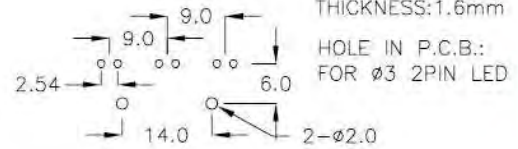
FOR $\phi 3$ 2PIN/3PIN LED
FOR QUADRATE 2PIN/3PIN LED

PART NO	A	PACKAGE
3LED-3H	7.25	500



HOLE IN P.C.B.:
FOR $\phi 3$ 3PIN LED

P.C.B
THICKNESS: 1.6mm



HOLE IN P.C.B.:
FOR $\phi 3$ 2PIN LED



LED 座 LED HOUSING

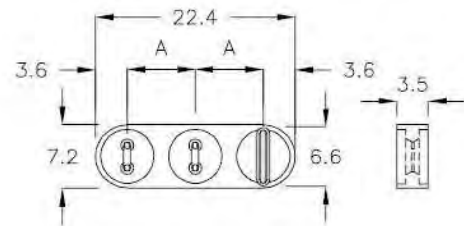
4-71-2

- MATERIAL: NYLON 66(UL)
- FLAME CLASS: 94V-2
- COLOR: BLACK

Built-In Clamp Function

FOR $\phi 5$ 3PIN LED x1
 $\phi 5$ 2PIN LED x2

PART NO	A	PACKAGE
3LED-7	7.6	1000



LED 座 LED HOUSING

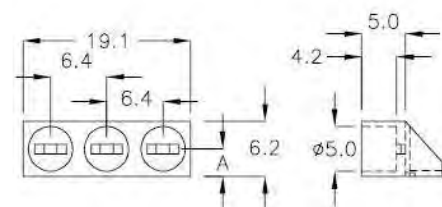
4-71-3

- MATERIAL: NYLON 66(UL)
- FLAME CLASS: 94V-2
- COLOR: BLACK

Built-In Clamp Function

FOR $\phi 5$ 2PIN LED

PART NO	A	PACKAGE
3LED-5	3.1	500

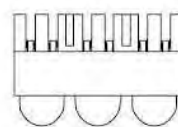




LED 座 LED HOUSING

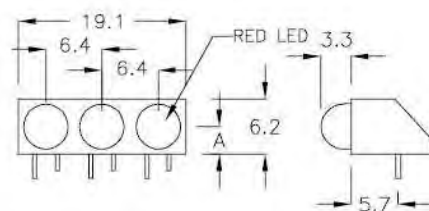
4-72-1

- MATERIAL: NYLON 66(UL)+RED LED
- FLAME CLASS: 94V-2
- COLOR: BLACK



Built-In Clamp Function

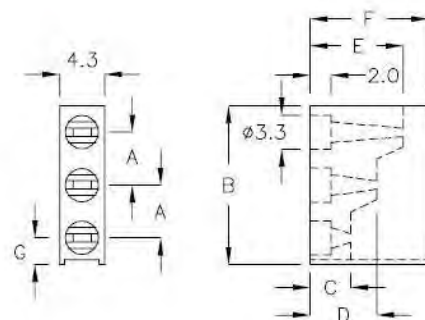
FOR $\phi 5$ 2PIN LED		
PART NO	A	PACKAGE
3LED-5-R	3.1	500



LED 座 LED HOUSING

4-72-2

- MATERIAL: NYLON 66(UL)
- FLAME CLASS: 94V-2
- COLOR: BLACK



Built-In Clamp Function

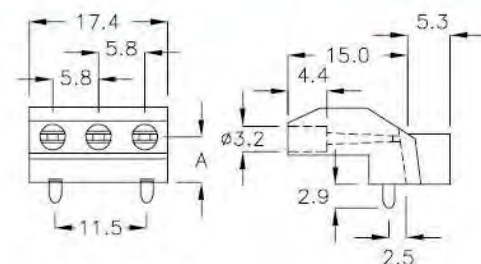
FOR $\phi 3$ 2PIN LED								
PART NO	A	B	C	D	E	F	G	PACKAGE
3LED-3	5.08	15.25	3.9	6.45	9.0	11.45	2.50	500
3LED-3E	6.0	17.0	5.7	8.25	10.8	12.5	2.70	



LED 座 LED HOUSING

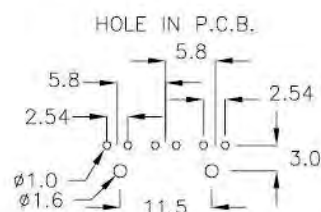
4-72-3

- MATERIAL: NYLON 66(UL)
- FLAME CLASS: 94V-2
- COLOR: BLACK



Built-In Clamp Function

FOR $\phi 3$ 2PIN LED		
PART NO	A	PACKAGE
3LEL-6	5.5	200

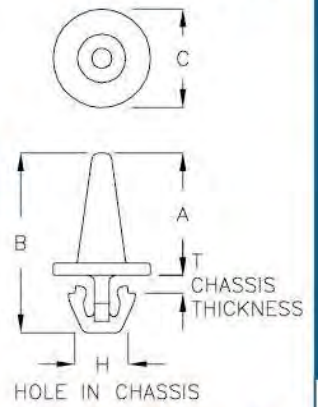




間隔柱 SPACER SUPPORT | 3-161-1 |

- MATERIAL: PC(UL)
- COLOR: WHITE

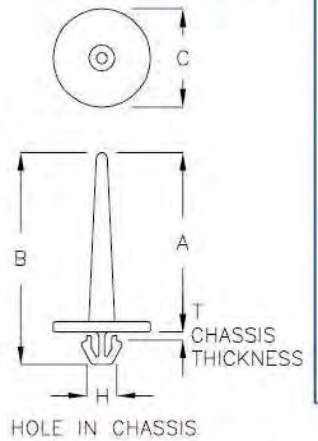
PART NO	A	B	C	H HOLE IN CHASSIS	T CHASSIS THICKNESS	PACKAGE
CBD-10SA	10.0	14.65	ø8.0	ø4.6	1.2	1000



間隔柱 SPACER SUPPORT | 3-161-2 |

- MATERIAL: PC(UL)
- COLOR: WHITE

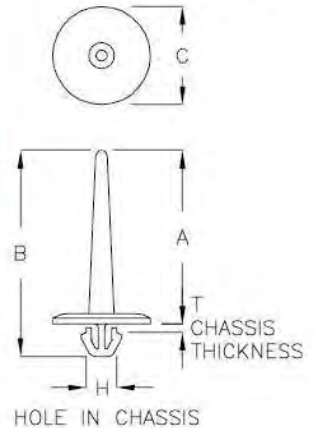
PART NO	A	B	C	H HOLE IN CHASSIS	T CHASSIS THICKNESS	PACKAGE
CBD-21HR	21.3	24.85	ø12.0	ø3.8	0.6~0.8	500
CBD-28AP	28.5	32.05	ø10.0	ø3.8	0.6~0.8	
CBD-28PQ	28.8	32.6	ø10.0	ø3.8	0.9~1.0	
CBD-29M	29.5	33.05	ø10.0	ø3.8	0.6~0.8	
CBD-31MA	31.5	35.05	ø10.0	ø3.8	0.6~0.8	



間隔柱 SPACER SUPPORT | 3-161-3 |

- MATERIAL: PC(UL)
- COLOR: WHITE

PART NO	A	B	C	H HOLE IN CHASSIS	T CHASSIS THICKNESS	PACKAGE
CBD-25A	25.4	29.9	ø13.3	ø4.5	0.6~0.8	500
CBD-27F	27.2	31.1	ø15.0	ø4.8	0.8~1.0	
CBD-33AC	33.1	36.75	ø13.4	ø4.6	0.5~0.6	
CBD-33P	33.0	36.9	ø13.3	ø4.6	0.5~0.8	

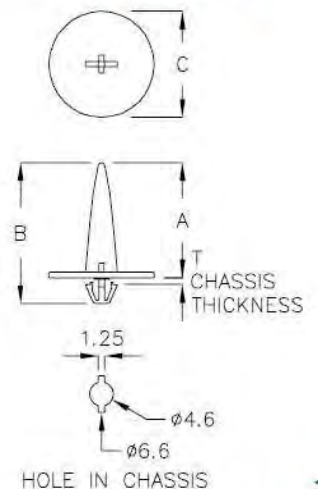


間隔柱 SPACER SUPPORT | 3-161-4 |

- MATERIAL: PC(UL)
- COLOR: CLEAR

Built-In Anti-Spin Function

PART NO	A	B	C	T CHASSIS THICKNESS	PACKAGE
KFD-21A	21.75	26.65	ø20.0	0.6	500

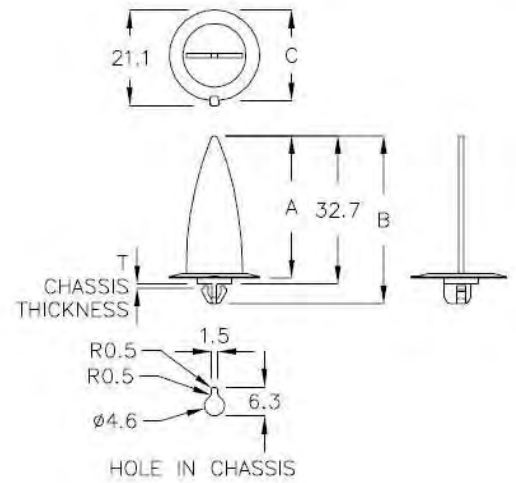




間隔柱 SPACER SUPPORT

3-162-1

- MATERIAL: PC(UL)
- COLOR: CLEAR



Built-In Anti-Spin Function

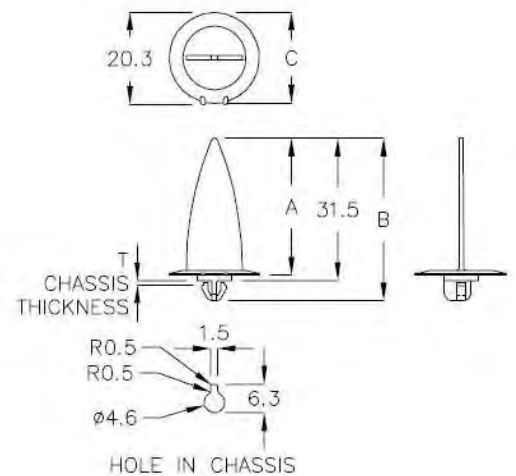
PART NO	A	B	C	T CHASSIS THICKNESS	PACKAGE
KFL-31FD	31.4	37.0	∅20.0	0.6~0.8	500



間隔柱 SPACER SUPPORT

3-162-2

- MATERIAL: PC(UL)
- COLOR: CLEAR



Built-In Anti-Spin Function

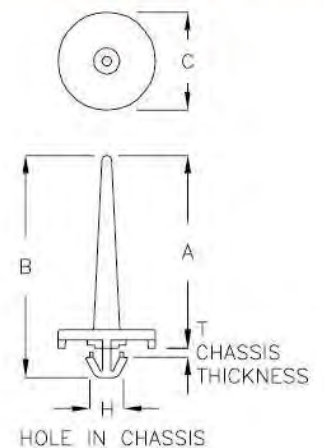
PART NO	A	B	C	T CHASSIS THICKNESS	PACKAGE
KFJ-30G	30.2	35.8	∅20.0	0.8	500



間隔柱 SPACER SUPPORT

3-162-3

- MATERIAL: PC(UL)
- COLOR: WHITE



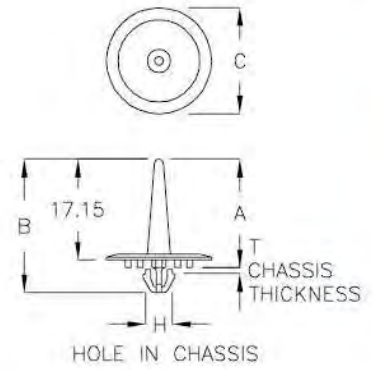
PART NO	A	B	C	H HOLE IN CHASSIS	T CHASSIS THICKNESS	PACKAGE
CBL-42CY	42.6	47.1	∅15.0	∅5.0	1.2~1.3	500



間隔柱 SPACER SUPPORT

3-163-1

- MATERIAL: PC(UL)
- COLOR: WHITE



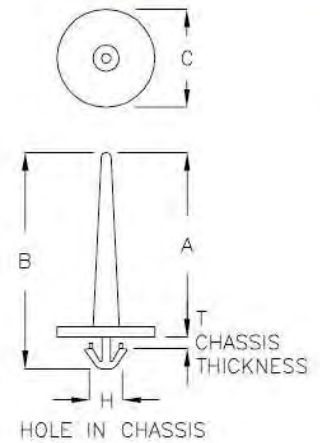
PART NO	A	B	C	H HOLE IN CHASSIS	T CHASSIS THICKNESS	PACKAGE
CBL-18JL	18.5	22.8	φ18.0	φ4.6	0.8	500



間隔柱 SPACER SUPPORT

3-163-2

- MATERIAL: PC(UL)
- COLOR: WHITE



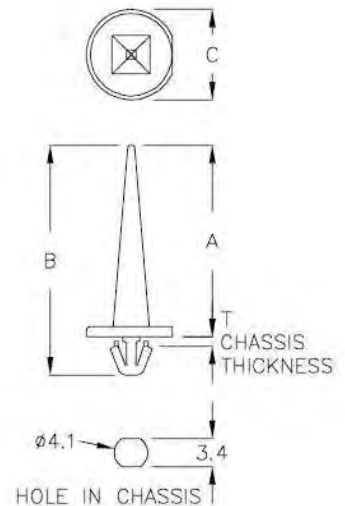
PART NO	A	B	C	H HOLE IN CHASSIS	T CHASSIS THICKNESS	PACKAGE
CBL-42MK	40.0	44.1	φ15.0	φ5.2	1.0~1.3	500



間隔柱 SPACER SUPPORT

3-163-3

- MATERIAL: PC(UL)
- COLOR: WHITE, CLEAR



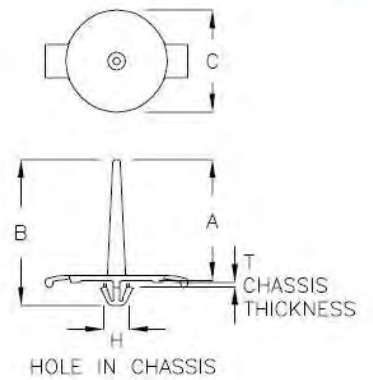
PART NO	A	B	C	T CHASSIS THICKNESS	PACKAGE
FXA-30Y	30.5	35.1	φ11.0	0.8~1.0	500
FXA-35PC	35.8	40.4	φ11.0	1.05	
FXA-39A	39.4	44.0	φ11.0	1.05	



間隔柱 SPACER SUPPORT

- MATERIAL: PC(UL)
- COLOR: WHITE

3-164-1



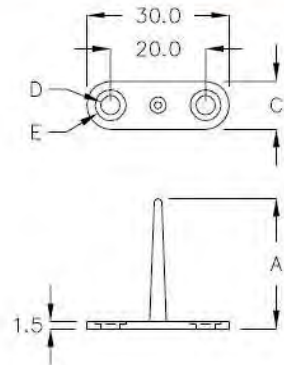
PART NO	A	B	C	H HOLE IN CHASSIS	T CHASSIS THICKNESS	PACKAGE
SUP-23A	24.0	28.9	∅20.0	∅5.0	0.6~0.8	500
SUP-34D	34.0	38.9	∅20.0	∅5.0	0.6~0.8	



間隔柱 SPACER SUPPORT

- MATERIAL: PC(UL)
- COLOR: WHITE

3-164-2



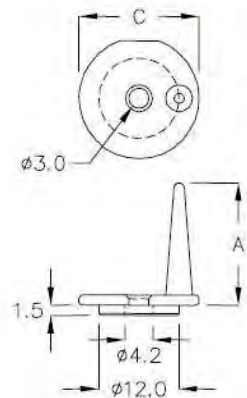
PART NO	A	C	D	E	PACKAGE
FJW-18PQ	18.8	10.0	∅4.0	∅6.5	500
FJW-25T	25.2	10.0	∅4.0	∅6.5	
FJW-27AK	27.2	10.0	∅4.0	∅6.5	
FJW-27HM	27.2	10.0	∅4.3	∅8.5	



間隔柱 SPACER SUPPORT

- MATERIAL: PC(UL)
- COLOR: WHITE

3-164-3



PART NO	A	C	PACKAGE
CBPA-18C	18.2	∅18.0	200

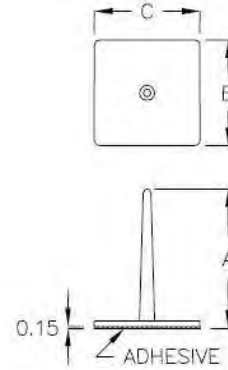


間隔柱 SPACER SUPPORT

3-165-1

- MATERIAL: PC(UL)
- COLOR: WHITE
- ADHESIVE TAPE: 3M

PART NO	A	B	C	PACKAGE
FZA-12TC	13.05	20.0	20.0	500
FZA-26FD	26.15	20.0	20.0	
FZA-30PJ	30.15	20.0	25.0	

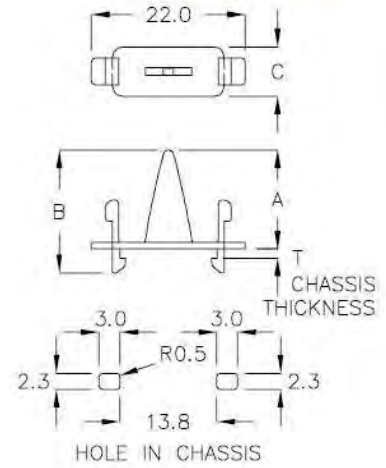


間隔柱 SPACER SUPPORT

3-165-2

- MATERIAL: PC(UL)
- COLOR: CLEAR

PART NO	A	B	C	T CHASSIS THICKNESS	PACKAGE
DCRJ-14MK	14.0	17.4	7.0	1.0~1.2	500

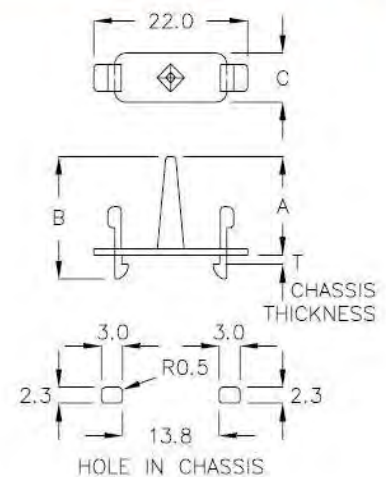


間隔柱 SPACER SUPPORT

3-165-3

- MATERIAL: PC(UL)
- COLOR: WHITE

PART NO	A	B	C	T CHASSIS THICKNESS	PACKAGE
DCR-14H	14.0	17.4	7.0	1.0~1.2	500



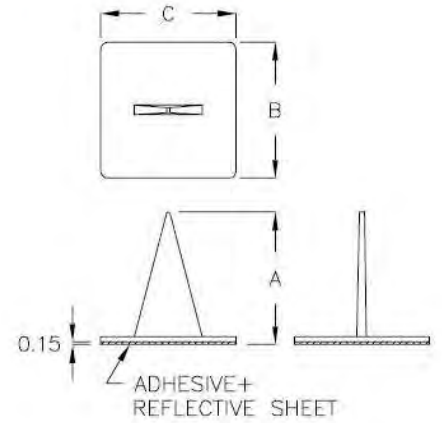


間隔柱 SPACER SUPPORT

3-166-1

- MATERIAL: PC(UL)
- COLOR: CLEAR
- ADHESIVE TAPE: GENERAL

PART NO	A	B	C	PACKAGE
FJH-12YK	12.55	20.0	20.0	500
FJH-19CY	19.25	20.0	20.0	

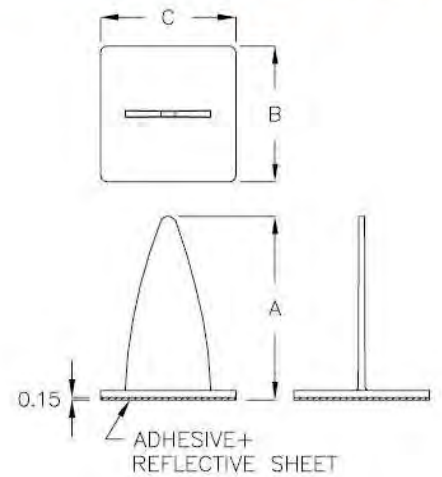


間隔柱 SPACER SUPPORT

3-166-2

- MATERIAL: PC(UL)
- COLOR: CLEAR
- ADHESIVE TAPE: GENERAL

PART NO	A	B	C	PACKAGE
FJH-29K	29.65	20.0	20.0	500
FJH-30	30.15	20.0	20.0	
FJH-33M	33.72	20.0	20.0	

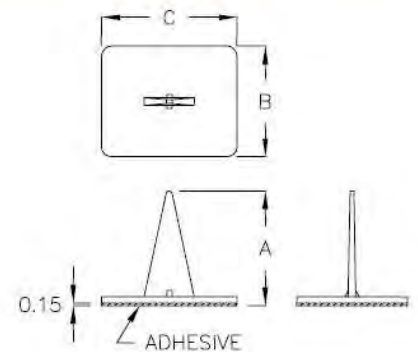


間隔柱 SPACER SUPPORT

3-166-3

- MATERIAL: PC(UL)
- COLOR: CLEAR
- ADHESIVE TAPE: 3M

PART NO	A	B	C	PACKAGE
FJH-14CR	14.35	22.0	27.0	500
FJH-19KT	19.9	22.0	27.0	
FJH-20MA	20.7	30.0	25.0	
FJH-21DP	21.85	20.0	20.0	
FJH-21GK	21.65	22.0	27.0	
FJH-21MD	21.65	22.0	27.0	





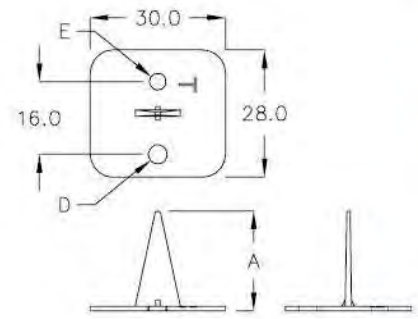
間隔柱 SPACER SUPPORT

3-167-1

- MATERIAL: PC(UL)
- COLOR: CLEAR

此產品亦可貼背膠
OPTIONAL WITH ADHESIVE TAPE ON BASE

PART NO	A	D	E	PACKAGE
FMY-22C	22.0	ø4.2	ø3.7	500



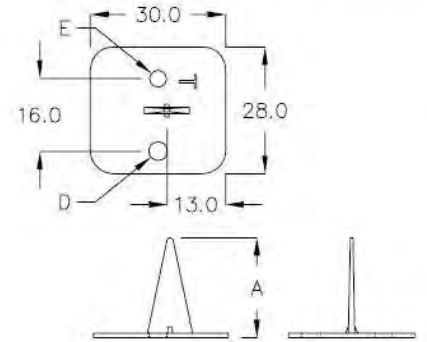
間隔柱 SPACER SUPPORT

3-167-2

- MATERIAL: PC(UL)
- COLOR: CLEAR

此產品亦可貼背膠
OPTIONAL WITH ADHESIVE TAPE ON BASE

PART NO	A	D	E	PACKAGE
FMY-21TC	21.5	ø4.2	ø3.7	200
FMY-22KP	22.0	ø4.2	ø3.7	



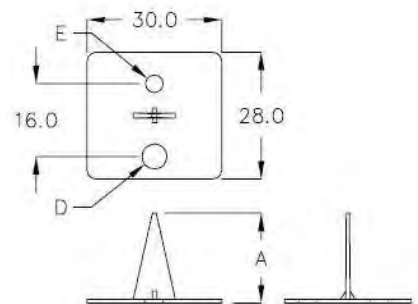
間隔柱 SPACER SUPPORT

3-167-3

- MATERIAL: PC(UL)
- COLOR: CLEAR

此產品亦可貼背膠
OPTIONAL WITH ADHESIVE TAPE ON BASE

PART NO	A	D	E	PACKAGE
FMG-19LH	19.9	ø5.5	ø3.9	500





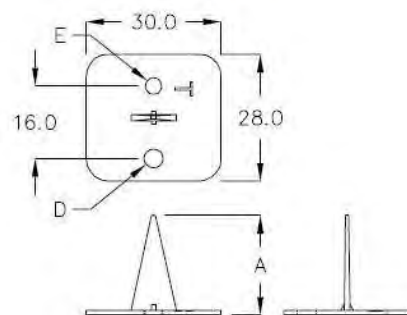
間隔柱 SPACER SUPPORT

3-168-1

- MATERIAL: PC(UL)
- COLOR: CLEAR

此產品亦可貼背膠
OPTIONAL WITH ADHESIVE TAPE ON BASE

PART NO	A	D	E	PACKAGE
FMQ-21MC	21.5	ø4.2	ø3.5	500

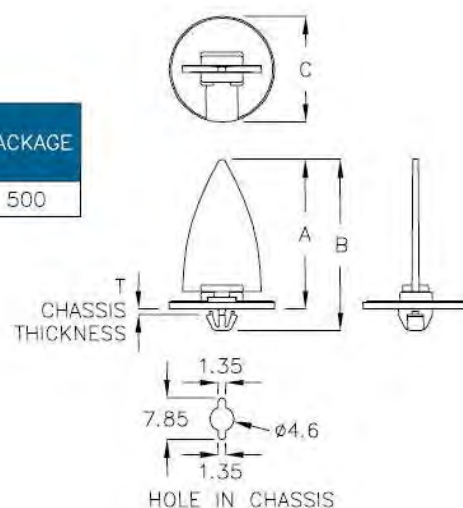


間隔柱 SPACER SUPPORT

3-168-2

- MATERIAL: PC(UL)
- COLOR: CLEAR

PART NO	A	B	C	T CHASSIS THICKNESS	PACKAGE
KFDX-28M	28.3	32.4	ø20.0	0.8	500



LED 座
LED HOUSING

04



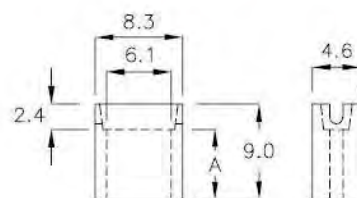
LED 套
LED HOLDER



LED 套 LED HOLDER

- MATERIAL: NYLON 66(UL)
- FLAME CLASS: 94V-2
- COLOR: NATURAL

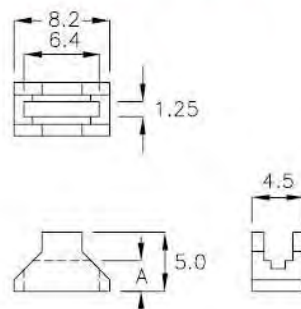
FOR QUADRATE 2PIN LED			
PART NO	A	PACKAGE	
LEQ-9	6.6	2000	



LED 套 LED HOLDER

- MATERIAL: NYLON 66(UL)
- FLAME CLASS: 94V-2
- COLOR: NATURAL

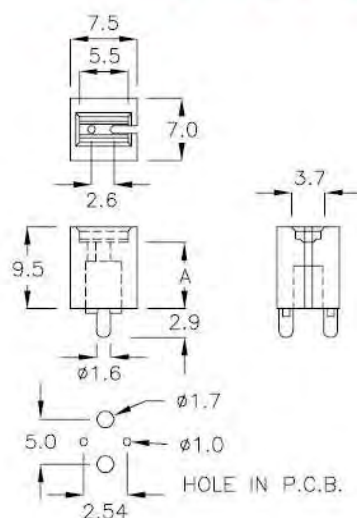
FOR QUADRATE 2PIN LED			
PART NO	A	PACKAGE	
LEQ-1	2.6	2000	



LED 套 LED HOLDER

- MATERIAL: NYLON 66(UL)
- FLAME CLASS: 94V-2
- COLOR: NATURAL

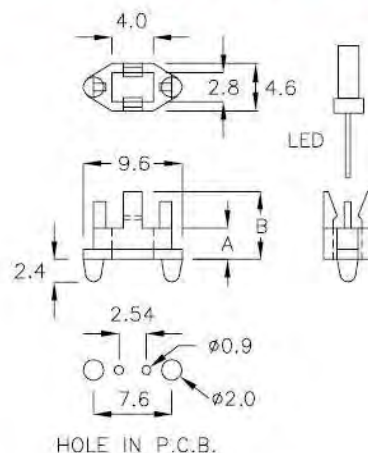
FOR QUADRATE 2PIN LED			
PART NO	A	PACKAGE	
LED-2x10	7.8	1000	



LED 套 LED HOLDER

- MATERIAL: NYLON 66(UL)
- FLAME CLASS: 94V-2
- COLOR: NATURAL

FOR QUADRATE 2PIN LED			
PART NO	A	B	PACKAGE
LEQ-3T	3.0	6.5	2000
LEQ-4T	4.0	7.5	

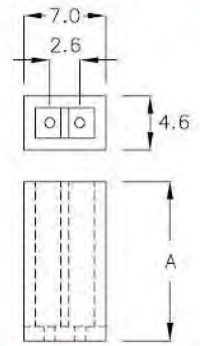




LED 套 LED HOLDER

- MATERIAL: NYLON 66(UL)
- FLAME CLASS: 94V-2
- COLOR: NATURAL

FOR QUADRATE 2PIN LED		
PART NO	A	PACKAGE
LED-13.5	13.5	1000



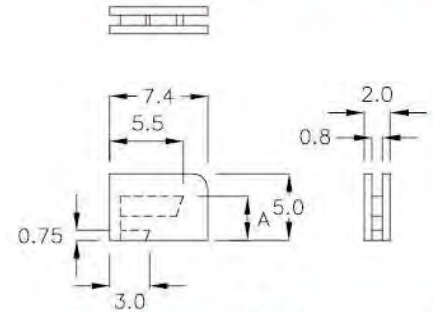
4-3-1



LED 套 LED HOLDER

- MATERIAL: NYLON 66(UL)
- FLAME CLASS: 94V-2
- COLOR: BLACK

FOR QUADRATE 2PIN LED		
PART NO	A	PACKAGE
LEJ-3	3.3	2000

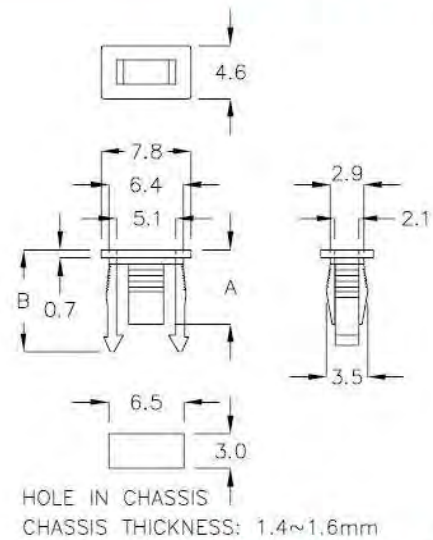
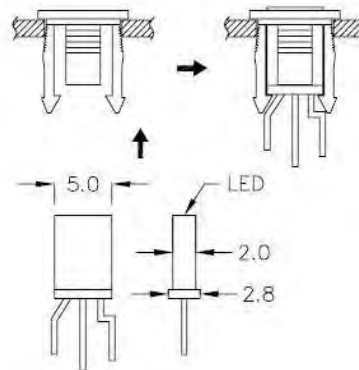


4-3-2



LED 座 LED HOUSING

- MATERIAL: NYLON 66(UL)
- FLAME CLASS: 94V-2
- COLOR: BLACK



HOLE IN CHASSIS
CHASSIS THICKNESS: 1.4~1.6mm

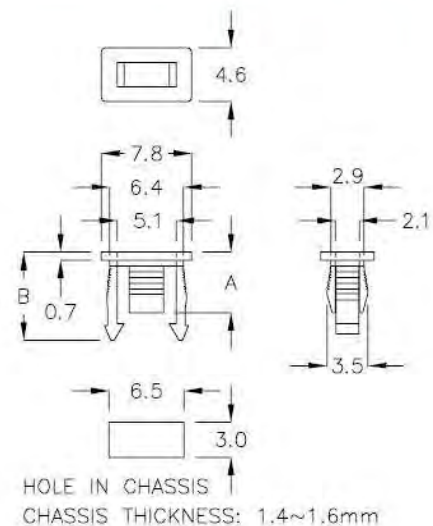
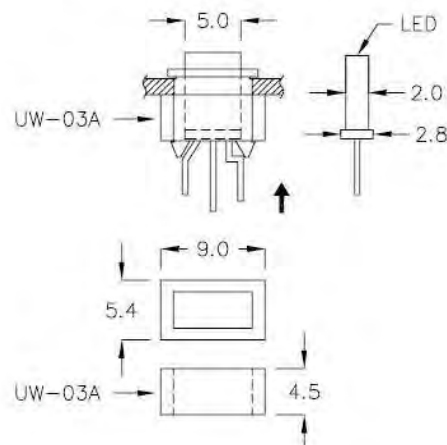
4-3-3

FOR QUADRATE 2PIN,3PIN LED			
PART NO	A	B	PACKAGE
SLED-1	5.2	7.8	2000
SLED-2M	6.2	8.6	



LED 座 LED HOUSING

- MATERIAL: NYLON 66(UL)
- FLAME CLASS: 94V-2
- COLOR: BLACK



HOLE IN CHASSIS
CHASSIS THICKNESS: 1.4~1.6mm

ALSO CAN ASSEMBLE WITH UW-03A

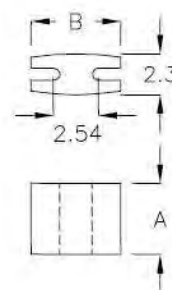
FOR QUADRATE 2PIN,3PIN LED			
PART NO	A	B	PACKAGE
SLED-2	5.2	7.6	2000



LED 套 LED HOLDER

- MATERIAL: NYLON 66(UL)
- FLAME CLASS: 94V-2
- COLOR: BLACK

FOR QUADRATE 2PIN LED			
PART NO	A	B	PACKAGE
EDH-04	4.0	5.1	2000
EDH-4A	4.5	5.1	
EDH-9CF	9.5	5.1	1000



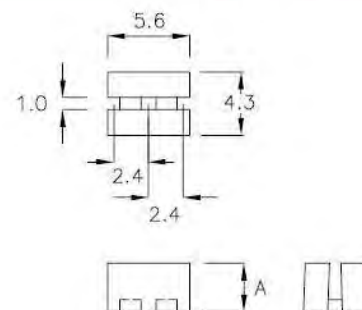
4-4-1



LED 套 LED HOLDER

- MATERIAL: NYLON 66(UL)
- FLAME CLASS: 94V-2
- COLOR: NATURAL

FOR QUADRATE 3PIN LED		
PART NO	A	PACKAGE
LED-3x3	3.2	2000
LED3x4	4.0	



4-4-2

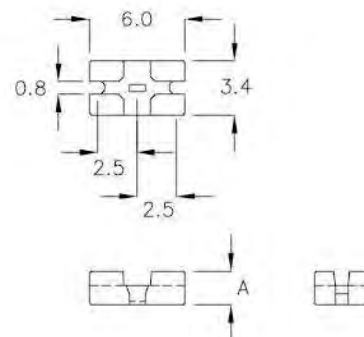


LED 套 LED HOLDER

- MATERIAL: NYLON 66(UL)
- FLAME CLASS: 94V-2
- COLOR: BLACK

Built-In Clamp Function

FOR QUADRATE 3PIN LED		
PART NO	A	PACKAGE
LED-3x2KQ	2.1	2000



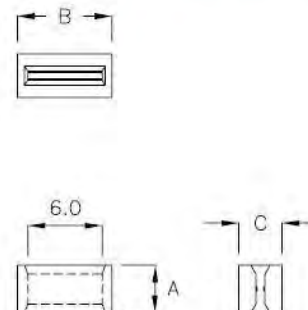
4-4-3



LED 套 LED HOLDER

- MATERIAL: NYLON 66(UL)
- FLAME CLASS: 94V-2
- COLOR: NATURAL

FOR QUADRATE 3PIN LED				
PART NO	A	B	C	PACKAGE
QLG-4S	3.8	7.6	3.5	2000



4-4-4

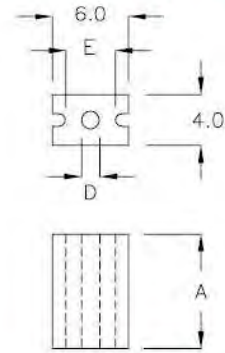


LED 套 LED HOLDER

4-5-1

- MATERIAL: NYLON 66(UL)
- FLAME CLASS: 94V-2
- COLOR: NATURAL

FOR QUADRATE 3PIN LED				
PART NO	A	D	E	PACKAGE
QLE-1MH	1.5	∅1.4	3.7	2000
QLE-12C	12.0	∅1.45	3.9	1000

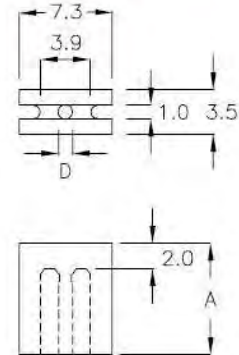


LED 套 LED HOLDER

4-5-2

- MATERIAL: NYLON 66(UL)
- FLAME CLASS: 94V-2
- COLOR: NATURAL

FOR QUADRATE 3PIN LED			
PART NO	A	D	PACKAGE
QLE-3	3.0	∅1.1	2000
QLE-4B	3.8		
QLE-5B	5.1		
QLE-5M	5.5		
QLE-7B	7.0		
QLE-8B	8.0	∅1.1	1000
QLE-10	10.0		
QLE-12	12.0		

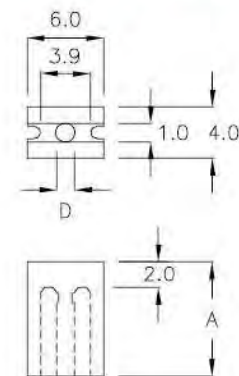


LED 套 LED HOLDER

4-5-3

- MATERIAL: NYLON 66(UL)
- FLAME CLASS: 94V-2
- COLOR: NATURAL

FOR QUADRATE 3PIN LED			
PART NO	A	D	PACKAGE
QLE-4	4.0	∅1.1	2000
QLE-5	5.0		
QLE-6	6.0		
QLE-7	7.0		
QLE-8	8.0	∅1.1	1000
QLE-9	9.0		
QLE-10A	10.0	∅1.45	
QLE-11	11.0		
QLE-12A	12.0	∅1.1	
QLE-13	13.0		
QLE-14	14.0		
QLE-15	15.0		

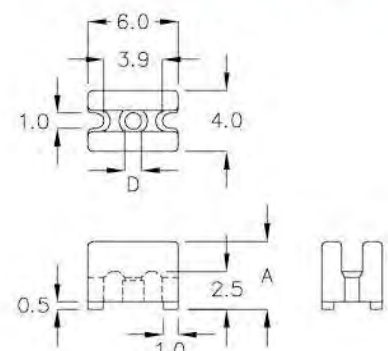


LED 套 LED HOLDER

4-5-4

- MATERIAL: NYLON 66(UL)
- FLAME CLASS: 94V-0
- COLOR: BLACK

FOR QUADRATE 3PIN LED			
PART NO	A	D	PACKAGE
QLEH-4A	4.5	∅1.1	2000

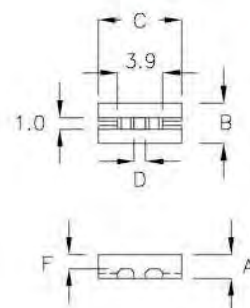




LED 套 LED HOLDER

4-6-1

- MATERIAL: NYLON 66(UL)
- FLAME CLASS: 94V-2
- COLOR: NATURAL



Built-In Clamp Function

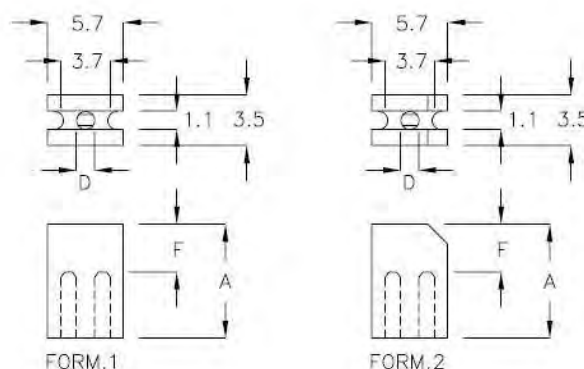
FOR QUADRATE 3PIN LED						
PART NO	A	B	C	D	F	PACKAGE
QLE-02	2.0	3.5	7.3	1.0	1.2	2000
QLE-3HA	3.0	3.0	6.5	1.0	2.2	



LED 套 LED HOLDER

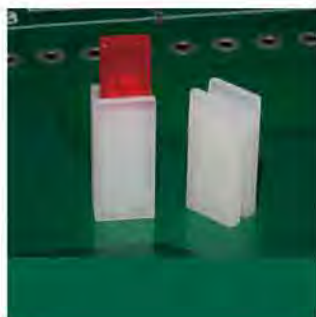
4-6-2

- MATERIAL: NYLON 66(UL)
- FLAME CLASS: 94V-2
- COLOR: NATURAL



Built-In Clamp Function

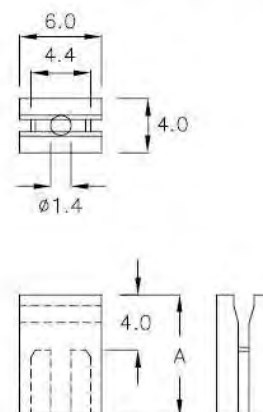
FOR QUADRATE 3PIN LED					
PART NO	A	F	D	FORM	PACKAGE
QLE-8LR	8.5	3.5	∅1.1	2	1000
QLE-9AK	9.0	4.0	∅1.1	1	



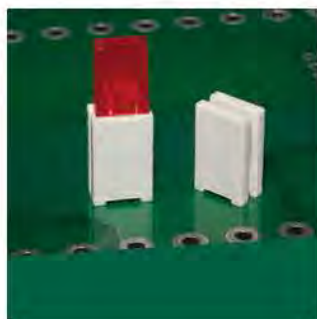
LED 套 LED HOLDER

4-6-3

- MATERIAL: NYLON 66(UL)
- FLAME CLASS: 94V-2
- COLOR: NATURAL



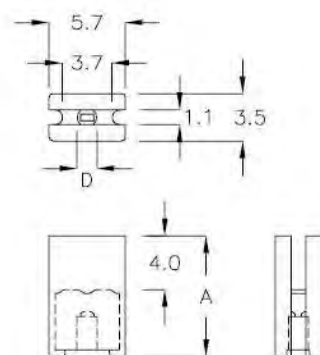
FOR QUADRATE 3PIN LED		
PART NO	A	PACKAGE
QLK-5M	5.4	2000
QLK-6	6.0	
QLK-7	6.9	
QLK-8	8.0	1000
QLK-9	9.0	
QLK-10	10.0	
QLK-11	11.0	
QLK-12	12.0	
QLK-13	13.0	
QLK-14	14.0	
QLK-15	14.9	
QLK-16	15.9	
QLK-17	17.0	
QLK-18	18.0	
QLK-18A	18.5	
QLK-19	19.0	



LED 套 LED HOLDER

4-7-1

- MATERIAL: NYLON 46(UL)
- FLAME CLASS: 94V-0
- COLOR: NATURAL



Built-In Clamp Function

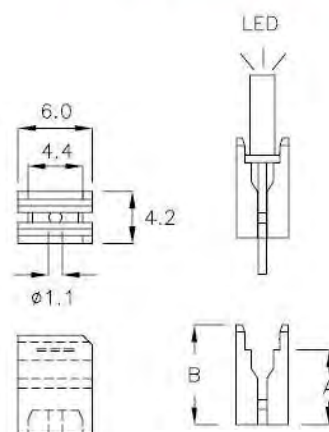
FOR QUADRATE LED 3PIN			
PART NO	A	D	PACKAGE
QLB-9NC	9.0	∅1.1	1000



LED 套 LED HOLDER

4-7-2

- MATERIAL: NYLON 66(UL)
- FLAME CLASS: 94V-2
- COLOR: NATURAL



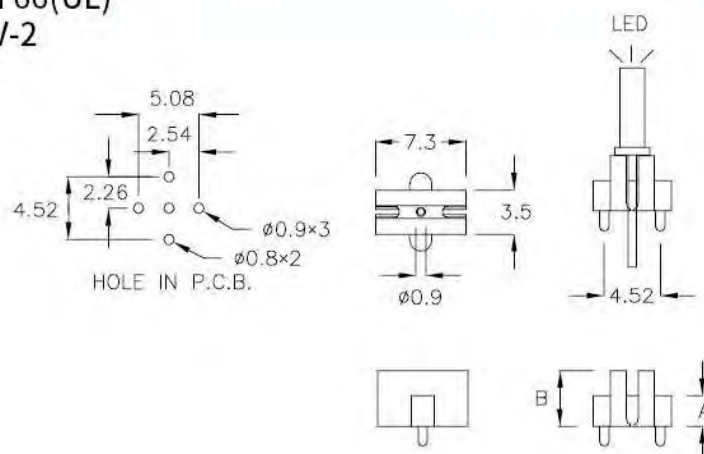
FOR QUADRATE 3PIN LED			
PART NO	A	B	PACKAGE
QLQ-6	6.0	8.0	2000



LED 套 LED HOLDER

4-7-3

- MATERIAL: NYLON 66(UL)
- FLAME CLASS: 94V-2
- COLOR: NATURAL



Built-In Clamp Function

FOR QUADRATE 3PIN LED			
PART NO	A	B	PACKAGE
QLK-4T	2.5	4.5	2000

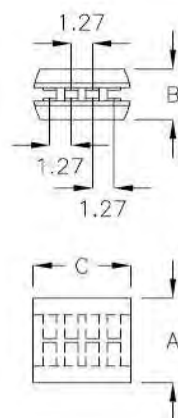


LED 套 LED HOLDER

- MATERIAL: NYLON 66(UL)
- FLAME CLASS: 94V-2
- COLOR: NATURAL, BLACK

Built-In Clamp Function

FOR $\phi 5$ 4PIN LED				
PART NO	A	B	C	PACKAGE
EDE-06	6.0	3.0	5.8	2000
EDE-6A	6.5	3.0	5.8	
EDE-07	7.0	3.0	5.8	
EDE-7A	7.5	3.0 <td 5.8		
EDE-08	8.0	3.0	5.8	
EDE-8A	8.5	3.0	5.8	
EDE-09	9.0	3.0	5.8	
EDE-10A	10.5	3.0	5.8	
EDE-11	11.0	3.0	5.8	
EDE-11A	11.5	3.0	5.8	
EDE-12A	12.5	3.0	5.8	
EDE-15	15.0	3.0	5.8	



Built-In Clamp Function

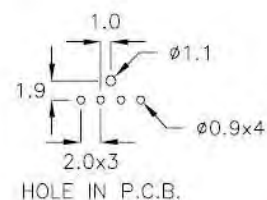
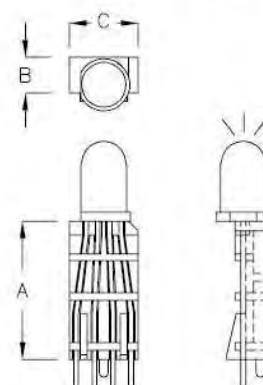
FOR $\phi 5$ 4PIN LED				
PART NO	A	B	C	PACKAGE
EDE-3A	3.5	3.0	5.8	2000
EDE-04	4.0	3.0	5.8	
EDE-4A	4.5	3.0	5.8	
EDE-05	5.0	3.0	5.8	
EDE-5A	5.5	3.0	5.8	



LED 套 LED HOLDER

- MATERIAL: NYLON 66(UL)
- FLAME CLASS: 94V-0
- COLOR: NATURAL

FOR $\phi 5$ 4PIN LED				
PART NO	A	B	C	PACKAGE
EES-15	15.0	3.9	7.5	2000

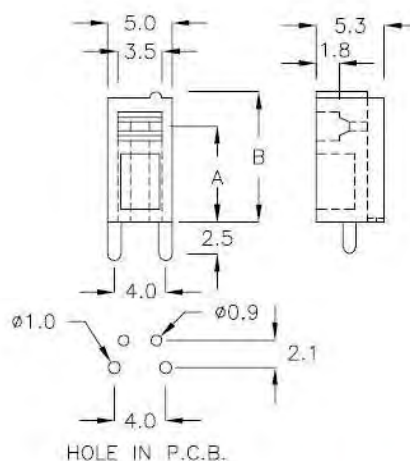


LED 座 LED HOUSING

- MATERIAL: NYLON 66(UL)
- FLAME CLASS: 94V-2
- COLOR: NATURAL, BLACK

Built-In Clamp Function

FOR QUADRATE 2PIN LED			
PART NO	A	B	PACKAGE
EDF-09	9.0	11.7	1000

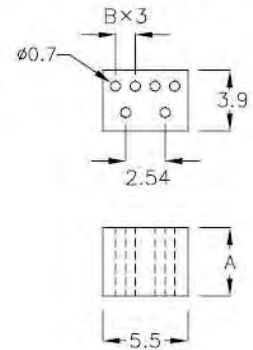




LED 座 LED HOUSING

4-9-1

- MATERIAL: NYLON 66(UL)
- FLAME CLASS: 94V-2
- COLOR: NATURAL,BLACK



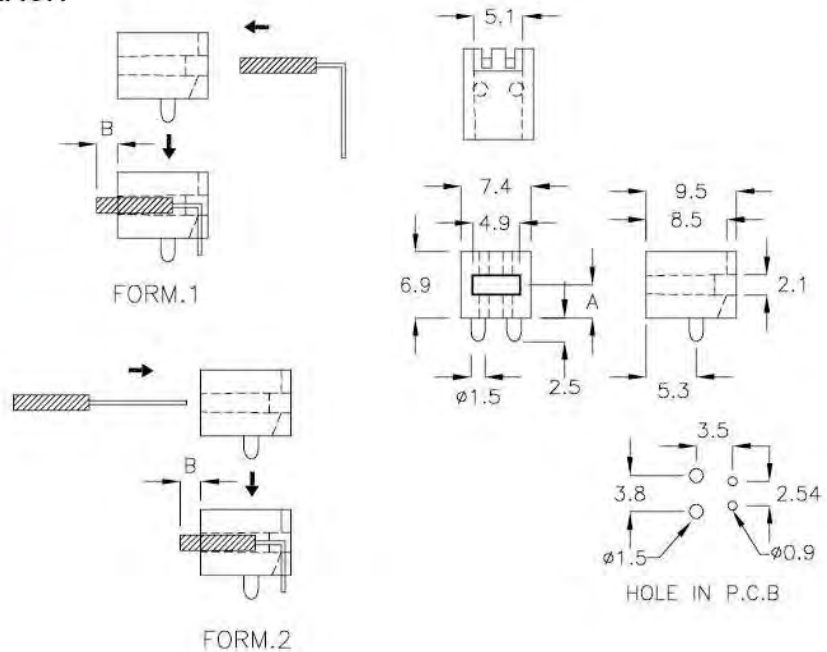
FOR QUADRATE 2PIN LED			
PART NO	A	B	PACKAGE
EKL-01	4.4	1.27	1000



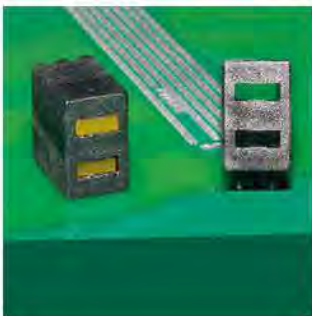
LED 座 LED HOUSING

4-9-2

- MATERIAL: NYLON 66(UL)
- FLAME CLASS: 94V-2
- COLOR: BLACK



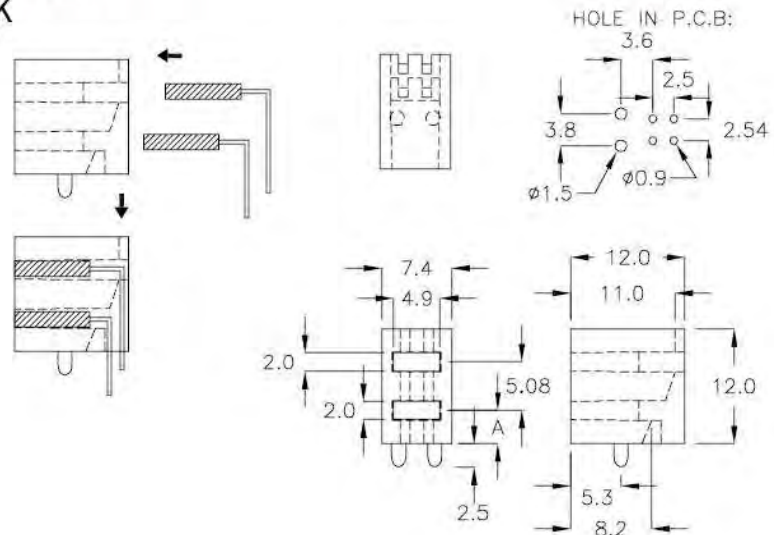
FOR QUADRATE 2PIN LED				
PART NO	A	B	FORM	PACKAGE
LEA-5	3.45	0	1	500
LEA-5A	3.45	4.3	2	
LEA-5C	3.45	2.8	2	



LED 座 LED HOUSING

4-9-3

- MATERIAL: NYLON 66(UL)
- FLAME CLASS: 94V-2
- COLOR: BLACK



FOR QUADRATE 2 PIN LED		
PART NO	A	PACKAGE
2LEA-5	3.45	500



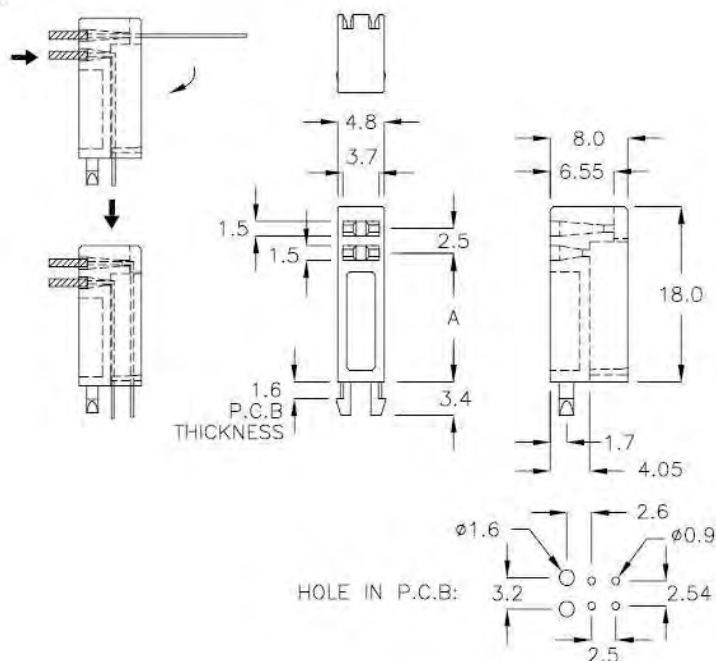
LED 座 LED HOUSING

4-10-1

- MATERIAL: NYLON 66(UL)
- FLAME CLASS: 94V-2
- COLOR: NATURAL

Built-In Clamp Function

FOR QUADRATE 2 PIN LED			
PART NO	A	PACKAGE	
2LEA-3AK	13.25	500	



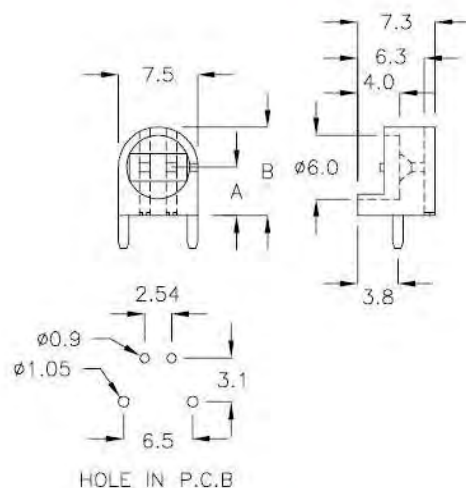
LED 座 LED HOUSING

4-10-2

- MATERIAL: NYLON 66(UL)
- FLAME CLASS: 94V-2
- COLOR: BLACK

Built-In Clamp Function

FOR $\phi 5$ 2PIN LED			
PART NO	A	B	PACKAGE
EDR-4A	4.5	8.2	1000

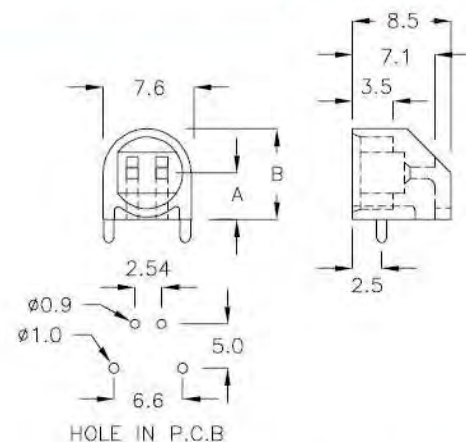


LED 座 LED HOUSING

4-10-3

- MATERIAL: NYLON 66(UL)
- FLAME CLASS: 94V-2
- COLOR: BLACK

FOR $\phi 5$ 2PIN LED			
PART NO	A	B	PACKAGE
EEL-4TQ	4.0	7.8	1000





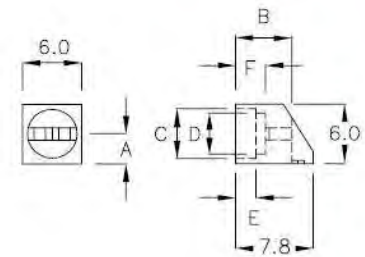
LED 座 LED HOUSING

4-11-1

- MATERIAL: NYLON 66(UL)
- FLAME CLASS: 94V-2
- COLOR: NATURAL, BLACK

Built-In Clamp Function

FOR $\phi 5$, $\phi 3$ 2PIN LED							
PART NO	A	B	C	D	E	F	PACKAGE
LED-2F	3.0	5.6	$\phi 5.0$	$\phi 4.1$	2.0	3.5	1000



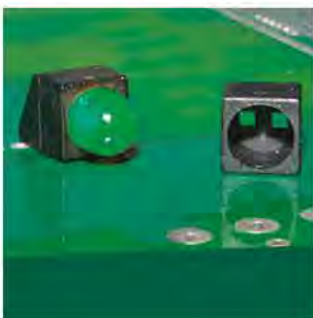
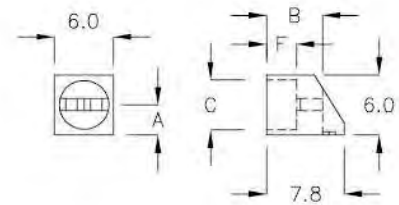
LED 座 LED HOUSING

4-11-2

- MATERIAL: NYLON 66(UL)
- FLAME CLASS: 94V-2
- COLOR: BLACK

Built-In Clamp Function

FOR $\phi 5$ 2PIN LED					
PART NO	A	B	C	F	PACKAGE
LED-3F	3.0	4.8	$\phi 5.0$	4.2	1000



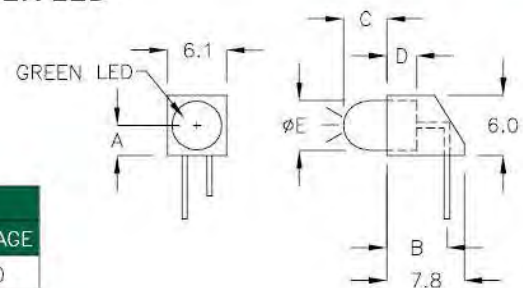
LED 座 LED HOUSING

4-11-3

- MATERIAL: NYLON 66(UL)+GREEN LED
- FLAME CLASS: 94V-2
- COLOR: BLACK

Built-In Clamp Function

FOR $\phi 5$ 2 PIN LED						
PART NO	A	B	C	D	E	PACKAGE
LED-3F-10	3.0	5.6	3.5	4.2	4.9	500



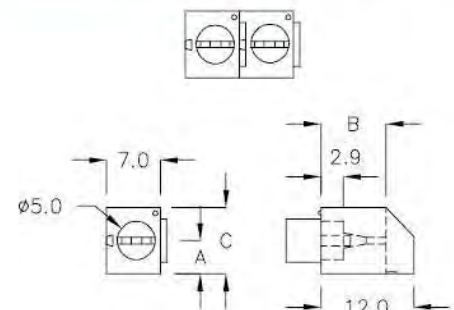
LED 座 LED HOUSING

4-11-4

- MATERIAL: NYLON 66(UL)
- FLAME CLASS: 94V-2
- COLOR: NATURAL

Built-In Clamp Function

FOR $\phi 5$ 2PIN LED				
PART NO	A	B	C	PACKAGE
LED-5F	4.3	8.4	8.6	1000

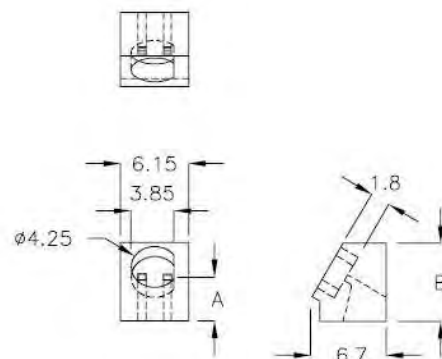




LED 座 LED HOUSING

- MATERIAL: NYLON 66(UL)
- FLAME CLASS: 94V-2
- COLOR: NATURAL

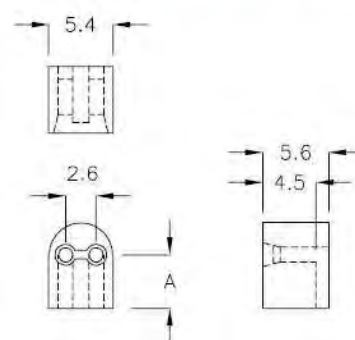
FOR $\phi 3$ 2PIN LED			
PART NO	A	B	PACKAGE
QLC-3F	3.9	7.0	2000



LED 座 LED HOUSING

- MATERIAL: NYLON 66(UL)
- FLAME CLASS: 94V-2
- COLOR: NATURAL, BLACK

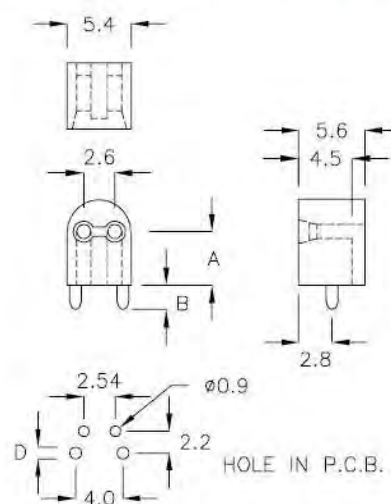
FOR $\phi 5$ 2 PIN LED		
PART NO	A	PACKAGE
LEH5-4.5	4.5	1000
LEH5-6	6.0	
LEH5-7	7.0	
LEH5-8	8.0	
LEH5-9	9.0	
LEH5-10	10.0	



LED 座 LED HOUSING

- MATERIAL: NYLON 66(UL)
- FLAME CLASS: 94V-2
- COLOR: NATURAL, BLACK

FOR $\phi 5$ 2PIN LED				
PART NO	A	B	D	PACKAGE
LEH5-3T	3.0	2.5	$\phi 1.0$	1000
LEH5-4.5T	4.5	2.5	$\phi 1.1$	
LEH5-6T	6.0	2.5	$\phi 1.0$	
LEH5-7T	7.0			
LEH5-8T	8.0	2.9	$\phi 1.0$	
LEH5-9T	9.0			
LEH5-10T	10.0			
LEH5-12.5T	12.5			
LEH5-16T	16.0			

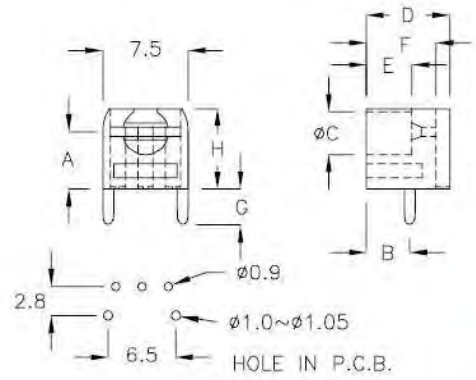




LED 座 LED HOUSING

4-33-1

- MATERIAL: NYLON 66(UL)
- FLAME CLASS: 94V-2
- COLOR: BLACK



Built-In Clamp Function

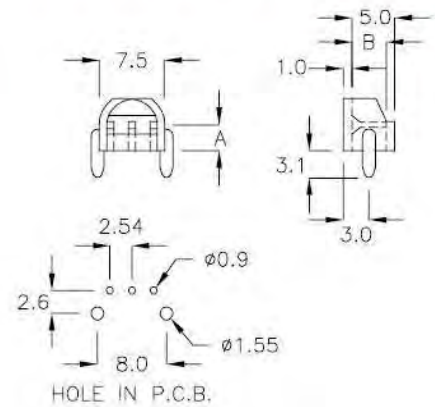
FOR $\phi 3$ 3PIN LED									
PART NO	A	B	C	D	E	F	G	H	PACKAGE
EKM-05	5.0	3.8	4.0	7.3	4.0	6.1	3.1	7.0	1000



LED 座 LED HOUSING

4-33-2

- MATERIAL: NYLON 66(UL)
- FLAME CLASS: 94V-2
- COLOR: NATURAL, BLACK



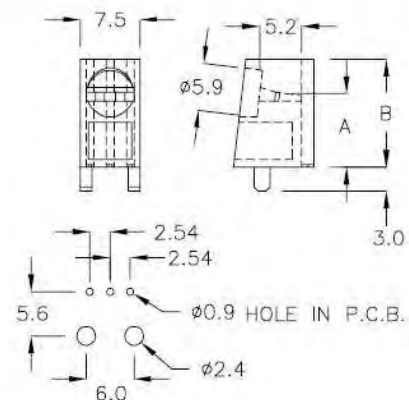
FOR $\phi 5$ 3PIN LED			
PART NO	A	B	PACKAGE
LEK4-2T	3.0	4.0	1000



LED 座 LED HOUSING

4-33-3

- MATERIAL: NYLON 66(UL)
- FLAME CLASS: 94V-2
- COLOR: NATURAL



Built-In Clamp Function

FOR $\phi 5$ 3PIN LED			
PART NO	A	B	PACKAGE
LEC-01	9.2	13.5	1000

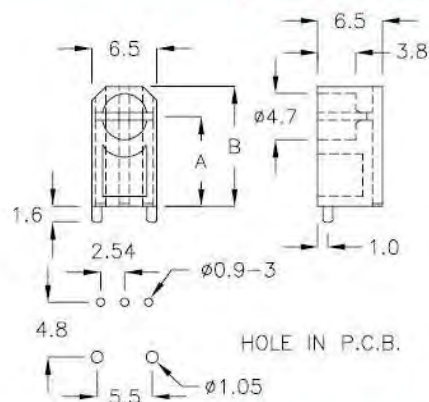


LED 座 LED HOUSING

- MATERIAL: NYLON 66(UL)
- FLAME CLASS: 94V-2
- COLOR: NATURAL

Built-In Clamp Function

FOR $\phi 3$ 3PIN LED			
PART NO	A	B	PACKAGE
EEB-09	9.0	12.0	500



HOLE IN P.C.B.

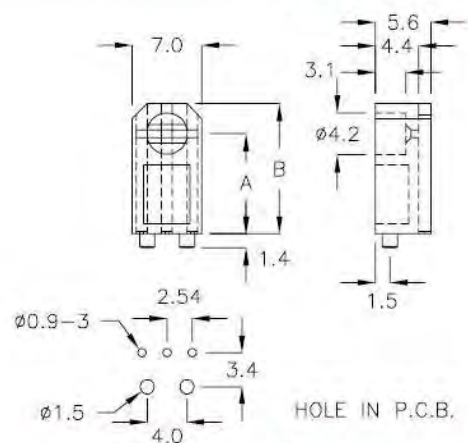


LED 座 LED HOUSING

- MATERIAL: NYLON 66(UL)
- FLAME CLASS: 94V-2
- COLOR: NATURAL, BLACK

Built-In Clamp Function

FOR $\phi 3$ 3PIN LED			
PART NO	A	B	PACKAGE
EEB-10	10.0	13.0	500



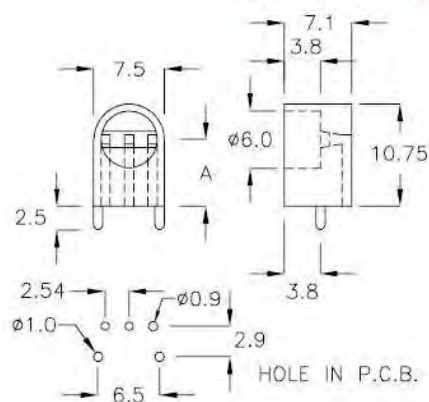
HOLE IN P.C.B.



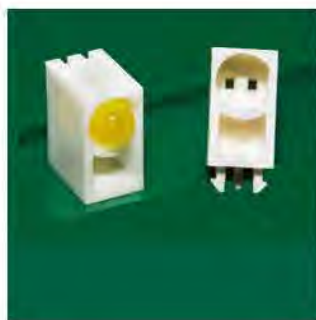
LED 座 LED HOUSING

- MATERIAL: NYLON 66(UL)
- FLAME CLASS: 94V-2
- COLOR: NATURAL

FOR $\phi 5$ 3PIN LED		
PART NO	A	PACKAGE
EDQ-07	7.0	1000



HOLE IN P.C.B.

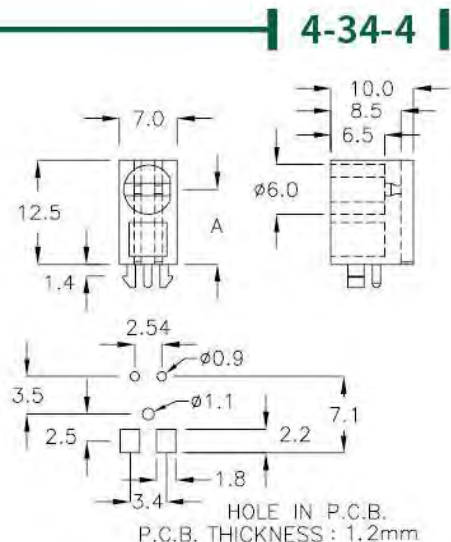


LED 座 LED HOUSING

- MATERIAL: NYLON 66(UL)
- FLAME CLASS: 94V-2
- COLOR: NATURAL

Built-In Clamp Function

FOR $\phi 5$ 2PIN LED		
PART NO	A	PACKAGE
EEJ-09	9.0	500



HOLE IN P.C.B.

P.C.B. THICKNESS : 1.2mm



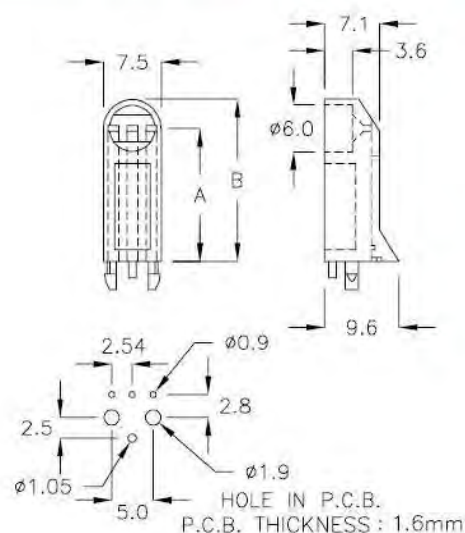
LED 座 LED HOUSING

4-35-1

- MATERIAL: NYLON 66(UL)
- FLAME CLASS: 94V-2
- COLOR: NATURAL

Built-In Clamp Function

FOR $\phi 5$ 3PIN LED			
PART NO	A	B	PACKAGE
EEF-17	17.0	20.9	500



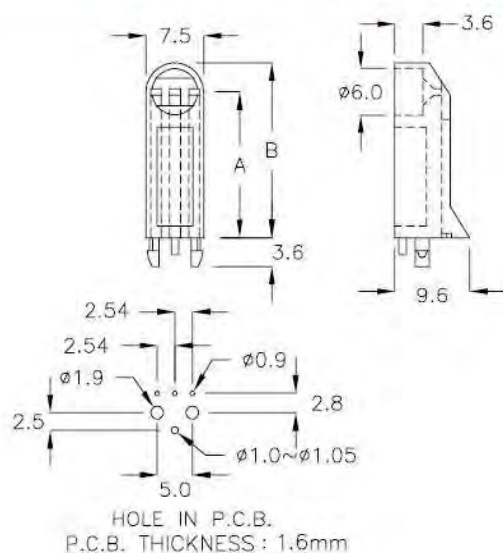
LED 座 LED HOUSING

4-35-2

- MATERIAL: NYLON 66(UL)
- FLAME CLASS: 94V-2
- COLOR: NATURAL

Built-In Clamp Function

FOR $\phi 5$ 3PIN LED			
PART NO	A	B	PACKAGE
EEF-18A	18.7	22.4	500
EEF-18C	18.4	22.1	

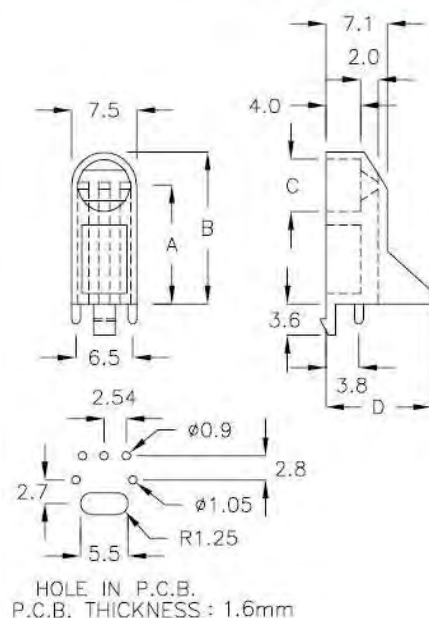


LED 座 LED HOUSING

4-35-3

- MATERIAL: NYLON 66(UL)
- FLAME CLASS: 94V-2
- COLOR: NATURAL

FOR $\phi 5$ 3PIN LED					
PART NO	A	B	C	D	PACKAGE
LEK2-7TX	7.0	10.8	$\phi 6.2$	9.5	500
LEK2-10TX	10.0	13.8	$\phi 6.0$	12.1	
LEK2-13TX	13.5	17.3	$\phi 6.0$	12.1	





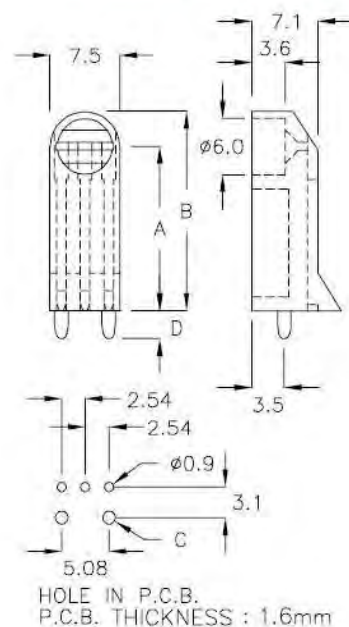
LED 座 LED HOUSING

4-36-1

- MATERIAL: NYLON 66(UL)
- FLAME CLASS: 94V-2
- COLOR: NATURAL

Built-In Clamp Function

FOR $\phi 5$ 3PIN LED					
PART NO	A	B	C	D	PACKAGE
LEK2-5TW	5.0	8.75		3.0	1000
LEK2-6TW	6.0	9.95			
LEK2-7TW	7.0	10.75			
LEK2-8TW	8.0	11.75	$\phi 1.5$		500
LEK2-9TW	9.0	12.75	ξ		
LEK2-11TW	11.0	14.75	$\phi 1.6$	3.0	
LEK2-14TW	14.0	17.75			
LEK2-15TW	15.0	18.75			
LEK2-16TW	16.0	19.75			
LEK2-17TW	17.0	20.75			
LEK2-18TW	17.5	21.25	$\phi 1.2$	3.0	
LEK2-18LTW	18.0	21.75	$\phi 1.5$		500
LEK2-19TW	19.0	22.75	ξ	3.0	
LEK2-20TW	20.0	23.75	$\phi 1.6$		
LEK2-11MTW	11.5	15.45	$\phi 1.2$	2.5	
LEN-05	5.0	8.75	$\phi 1.0$	3.0	1000



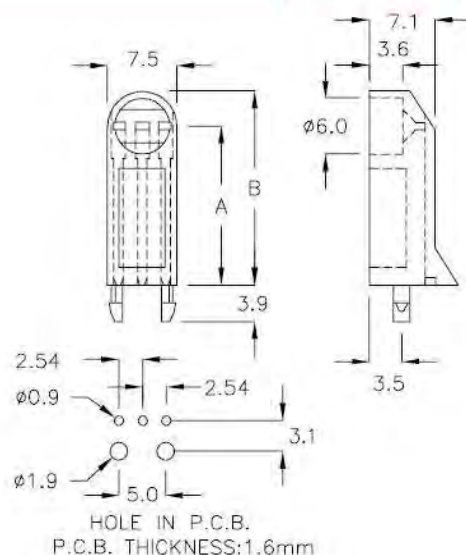
LED 座 LED HOUSING

4-36-2

- MATERIAL: NYLON 66(UL)
- FLAME CLASS: 94V-2
- COLOR: NATURAL

Built-In Clamp Function

FOR $\phi 5$ 3PIN LED			
PART NO	A	B	PACKAGE
LEK2-17TP	17.0	20.75	500



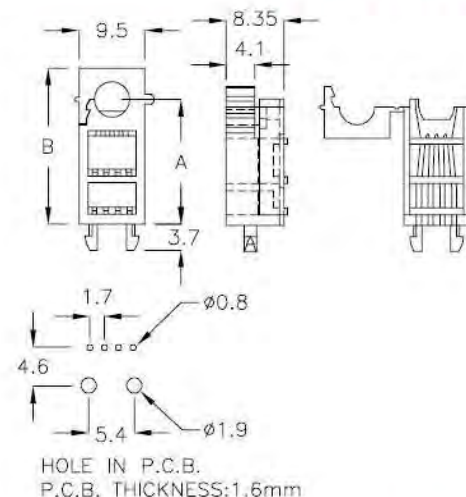
LED 座 LED HOUSING

4-36-3

- MATERIAL: NYLON 66(UL)
- FLAME CLASS: 94V-0
- COLOR: NATURAL

Built-In Clamp Function

FOR $\phi 5$ 4PIN LED			
PART NO	A	B	PACKAGE
LEW-17D	17.0	21.5	500
LEW-18A	18.0	22.5	

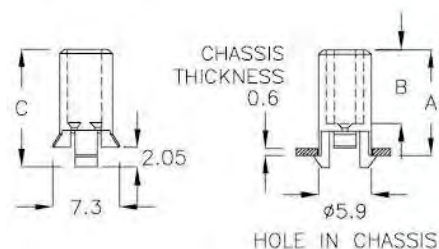




LED 座 LED HOUSING

4-37-1

- MATERIAL: NYLON 66(UL)
- FLAME CLASS: 94V-2
- COLOR: BLACK



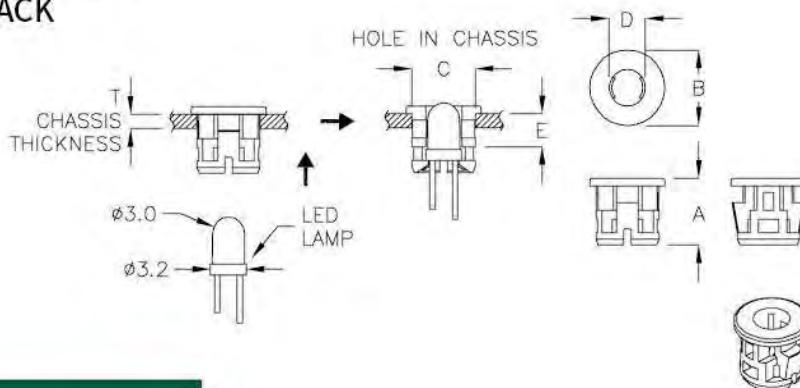
FOR $\phi 3$ 2PIN LED				
PART NO	A	B	C	PACKAGE
QLY-2A	11.45	8.0	12.8	500
QLY-7K	9.95	6.5	11.3	1000



LED 座 LED HOUSING

4-37-2

- MATERIAL: NYLON 66(UL)
- FLAME CLASS: 94V-2
- COLOR: BLACK



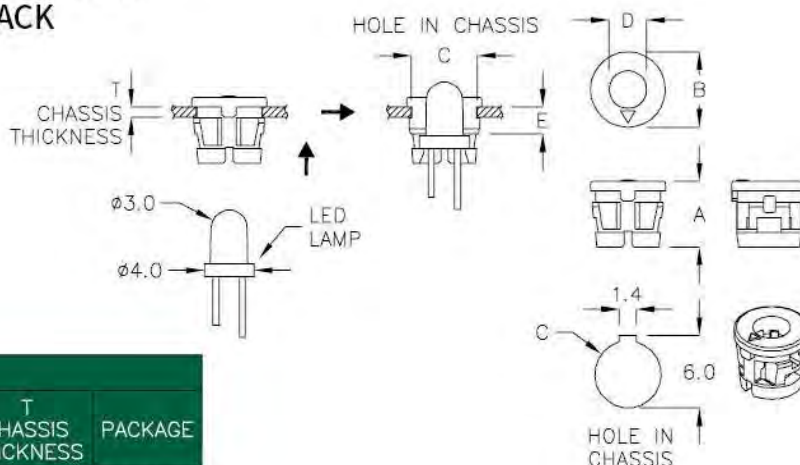
FOR $\phi 3$ 2PIN LED							
PART NO	A	B	C HOLE IN CHASSIS	D	E	T CHASSIS THICKNESS	PACKAGE
CLED-3S	5.3	$\phi 6.0$	$\phi 5.2$	$\phi 2.9$	2.75	1.2	2000



LED 座 LED HOUSING

4-37-3

- MATERIAL: NYLON 66(UL)
- FLAME CLASS: 94V-2
- COLOR: BLACK



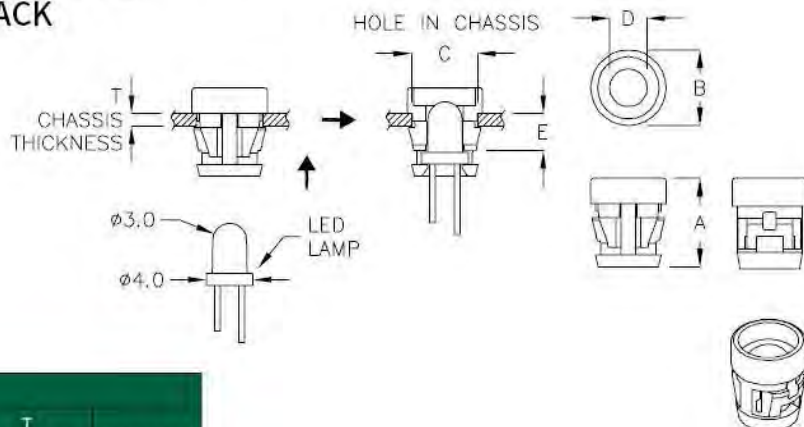
FOR $\phi 3$ 2PIN LED							
PART NO	A	B	C HOLE IN CHASSIS	D	E	T CHASSIS THICKNESS	PACKAGE
KLED-3FM	5.4	$\phi 6.2$	$\phi 5.5$	$\phi 3.1$	2.2	0.8	2000



LED 座 LED HOUSING

4-38-1

- MATERIAL: NYLON 66(UL)
- FLAME CLASS: 94V-2
- COLOR: BLACK



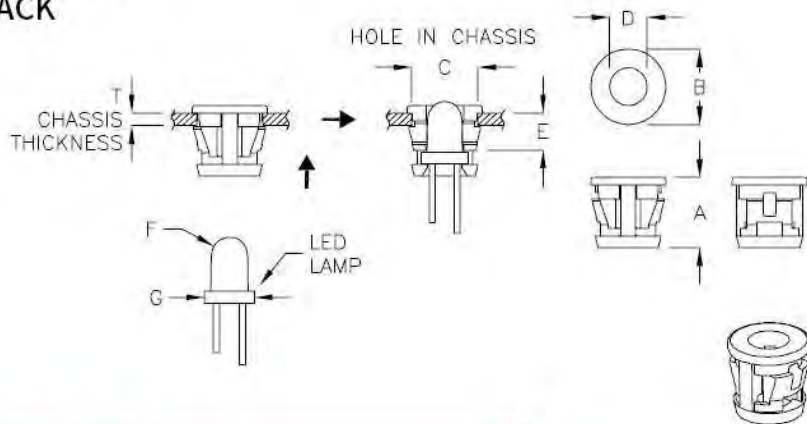
FOR $\phi 3$ 2PIN LED							
PART NO	A	B	C HOLE IN CHASSIS	D	E	T CHASSIS THICKNESS	PACKAGE
KLED-3DQ	6.7	$\phi 5.6$	$\phi 4.95$	$\phi 3.1$	2.2	0.8	2000



LED 座 LED HOUSING

4-38-2

- MATERIAL: NYLON 66(UL)
- FLAME CLASS: 94V-2
- COLOR: BLACK



FOR $\phi 3$ 2PIN or 3PIN LED											
PART NO	A	B	C HOLE IN CHASSIS	D	E	F	G	T CHASSIS THICKNESS	FORM	$\phi 3$ LED	PACKAGE
KLED-3JL	5.0	$\phi 5.5$	$\phi 5.0$	$\phi 2.87$	1.9	$\phi 2.9$	$\phi 3.2$	0.8	1	2 PIN	2000
KLED-3TU	5.1	$\phi 5.5$	$\phi 5.0$	$\phi 2.87$	1.9	$\phi 2.9$	$\phi 3.2$	0.8	3	2 PIN	
KLED-3PH	5.2	$\phi 5.6$	$\phi 4.95$	$\phi 3.1$	2.2	$\phi 3.0$	$\phi 4.0$	0.8	1	2 PIN	
KLED-3HS	5.2	$\phi 6.0$	$\phi 5.3$	$\phi 2.95$	2.55	$\phi 3.0$	$\phi 3.2$	0.9	1	2 PIN	
KLED-3YM	5.2	$\phi 6.0$	$\phi 5.3$	$\phi 2.95$	1.45	$\phi 3.0$	$\phi 3.2$	0.9	1	2 PIN	
KLED-3CF	5.6	$\phi 5.6$	$\phi 5.0$	$\phi 3.1$	2.6	$\phi 3.0$	$\phi 4.0$	1.0	1	2 PIN	
KLED-3RG	5.6	$\phi 6.0$	$\phi 5.2$	$\phi 3.0$	2.85	$\phi 3.0$	$\phi 4.0$	0.8	2	3 PIN	
KLED-3BN	5.6	$\phi 6.0$	$\phi 5.2$	$\phi 3.0$	2.85	$\phi 3.0$	$\phi 4.0$	0.8	2	3 PIN	
KLED-3A	5.6	$\phi 6.0$	$\phi 5.3$	$\phi 3.0$	2.95	$\phi 3.0$	$\phi 4.0$	1.0	1	2 PIN	
KLED-3MK	5.6	$\phi 6.0$	$\phi 5.3$	$\phi 3.0$	2.95	$\phi 3.0$	$\phi 4.0$	0.9	1	2 PIN	
KLED-3TB	5.7	$\phi 6.0$	$\phi 5.2$	$\phi 3.0$	2.6	$\phi 3.0$	$\phi 4.0$	1.0	1	2 PIN	
KLED-3WT	5.7	$\phi 6.0$	$\phi 5.2$	$\phi 3.0$	2.8	$\phi 3.0$	$\phi 4.0$	1.0	1	2 PIN	

FORM.1

FORM.2

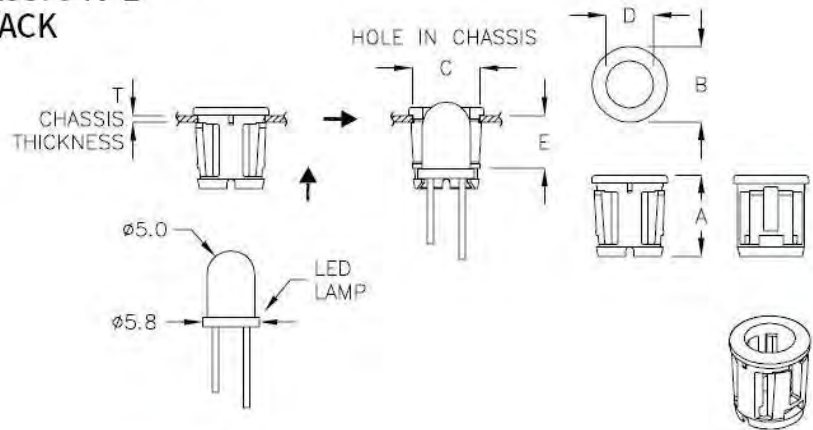
FORM.3



LED 座 LED HOUSING

4-39-1

- MATERIAL: NYLON 66(UL)
- FLAME CLASS: 94V-2
- COLOR: BLACK



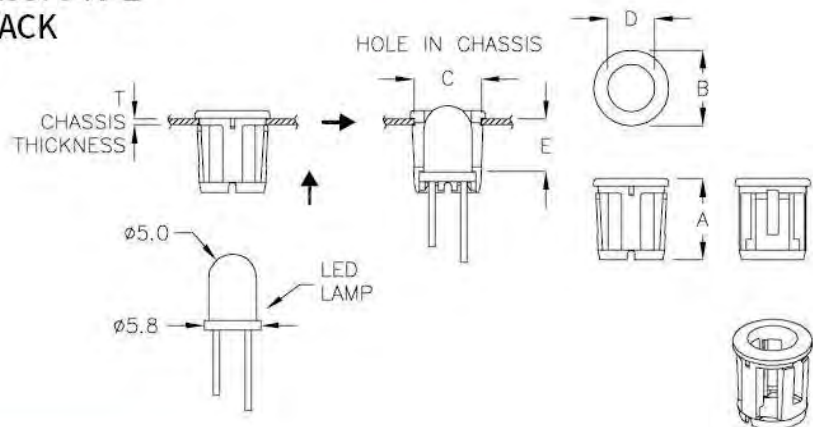
FOR $\phi 5$ 2PIN LED							
PART NO	A	B	C HOLE IN CHASSIS	D	E	T CHASSIS THICKNESS	PACKAGE
KLED-5MS	8.4	$\phi 7.8$	$\phi 7.0$	$\phi 4.9$	5.35	0.6	2000



LED 座 LED HOUSING

4-39-2

- MATERIAL: NYLON 66(UL)
- FLAME CLASS: 94V-2
- COLOR: BLACK



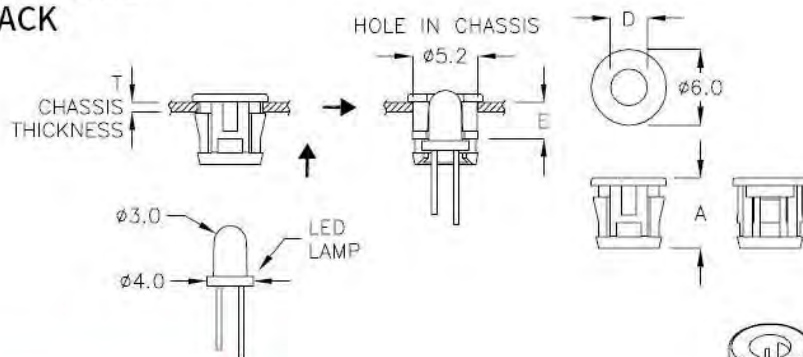
FOR $\phi 5$ 2PIN LED							
PART NO	A	B	C	D	E	T CHASSIS THICKNESS	PACKAGE
HLED-5RC	8.4	$\phi 7.8$	$\phi 7.0$	$\phi 4.9$	5.45	0.6	2000



LED 座 LED HOUSING

4-40-1

- MATERIAL: NYLON 66(UL)
- FLAME CLASS: 94V-2
- COLOR: BLACK



FOR ø3 2PIN or 3PIN LED							
PART NO	A	D	E	T CHASSIS THICKNESS	FORM	ø3 LED PACKAGE	
CLED-3K	5.6	ø2.9	3.0	0.8	2	3 PIN	2000
CLED-3C	5.6	ø3.0	2.95	0.8	1	2 PIN	
CLED-3RY	5.6	ø3.0	2.95	1.0	1	2 PIN	
CLED-3H	5.8	ø3.0	2.9	0.9	1	2 PIN	

FORM.1

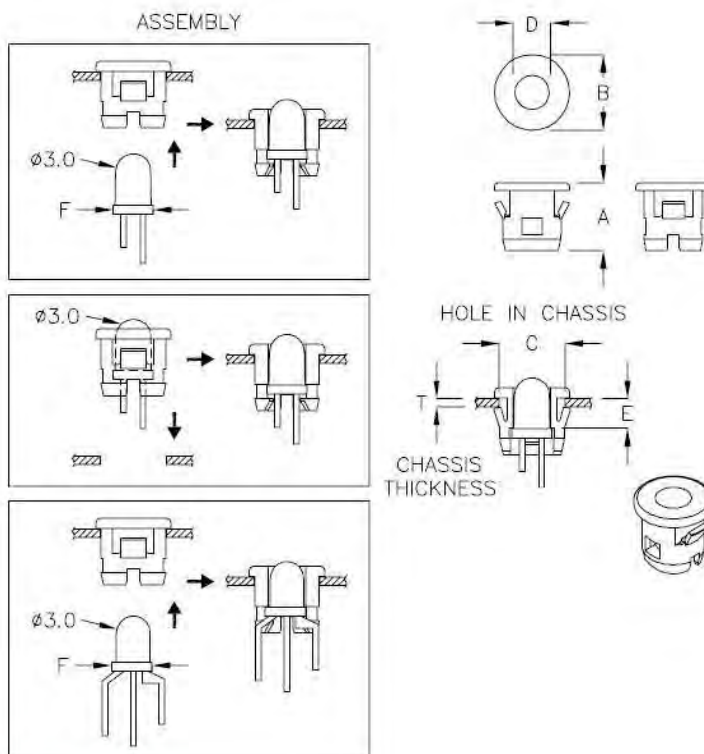
FORM.2



LED 座 LED HOUSING

4-40-2

- MATERIAL: NYLON 66(UL)
- FLAME CLASS: 94V-2
- COLOR: BLACK



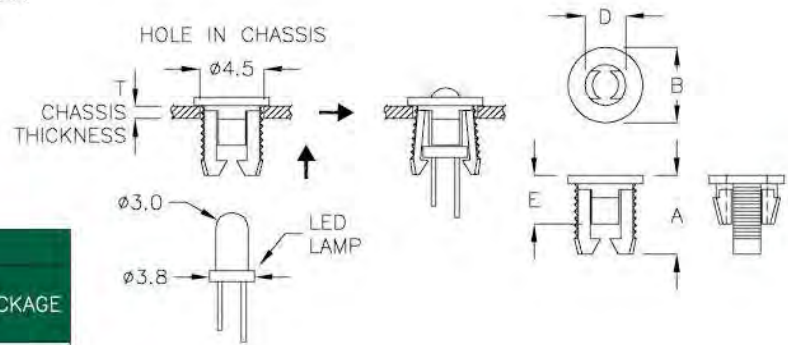
FOR ø3 2PIN or 3PIN LED								
PART NO	A	B	C HOLE IN CHASSIS	D	E	F	T CHASSIS THICKNESS	PACKAGE
MLED-3A	5.3	ø6.0	ø5.2	ø3.0	2.4	ø3.2	0.6	2000
MLED-3GS	6.0	ø6.7	ø5.3	ø3.05	3.0	ø3.8	0.8	



LED 座 LED HOUSING

4-41-1

- MATERIAL: NYLON 66(UL)
- FLAME CLASS: 94V-2
- COLOR: BLACK

FOR $\phi 3$ 2PIN LED

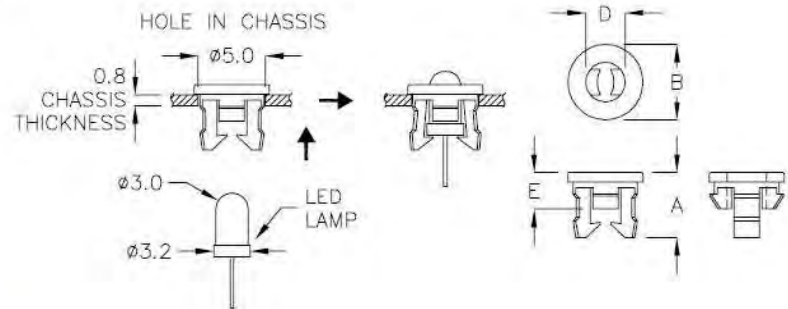
PART NO	A	B	D	E	T CHASSIS THICKNESS	PACKAGE
CLED-1J	5.7	$\phi 5.5$	$\phi 3.0$	3.5	0.8	2000
CLED-1K	5.7	$\phi 5.5$	$\phi 3.0$	3.5	1.2	
CLED-1N	5.7	$\phi 5.5$	$\phi 3.0$	3.6	1.6	
CLED-3D	5.9	$\phi 5.5$	$\phi 3.0$	3.45	1.0	
CLED-6A	5.7	$\phi 5.5$	$\phi 3.1$	3.4	0.8	



LED 座 LED HOUSING

4-41-2

- MATERIAL: PC(UL)
- FLAME CLASS: 94V-2
- COLOR: BLACK

FOR $\phi 3$ 2PIN LED

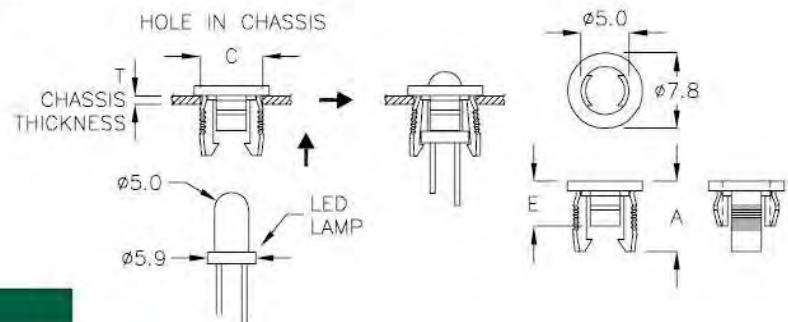
PART NO	A	B	D	E	PACKAGE
CLED-3NX	4.8	$\phi 5.6$	$\phi 2.95$	2.7	2000



LED 座 LED HOUSING

4-41-3

- MATERIAL: PC(UL)
- FLAME CLASS: 94V-2
- COLOR: BLACK

FOR $\phi 5$ 2PIN LED

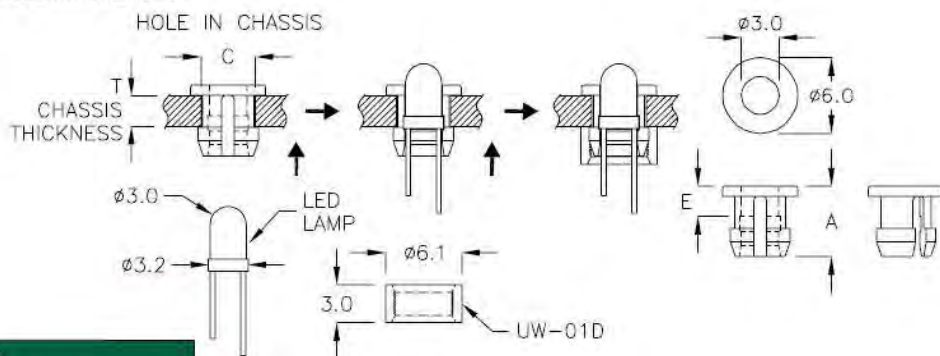
PART NO	A	E	C HOLE IN CHASSIS	T CHASSIS THICKNESS	PACKAGE
CLED-1AQ	7.25	4.65	$\phi 6.3$	0.8~1.0	2000
			$\phi 6.5$	1.2~1.5	



LED 座 LED HOUSING

4-42-1

- MATERIAL: NYLON 66(UL)
- FLAME CLASS: 94V-2
- COLOR: BLACK



FOR ø3 2PIN LED					
PART NO	A	C HOLE IN CHASSIS	E	T CHASSIS THICKNESS	PACKAGE
CLED-4A	5.5	ø4.15	0.7	0.8	2000
CLED-4D	5.6	ø4.2	2.4	0.8~2.5	

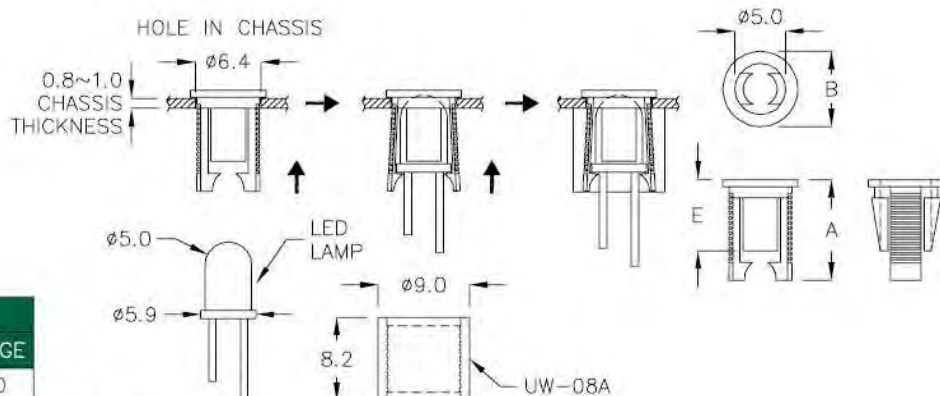
ALSO CAN ASSEMBLE WITH UW-01D (PAGE 13-22-4)



LED 座 LED HOUSING

4-42-2

- MATERIAL: NYLON 66(UL)
- FLAME CLASS: 94V-2
- COLOR: BLACK



FOR ø5 2PIN LED				
PART NO	A	B	E	PACKAGE
CLED-2K	9.9	ø7.4	6.95	2000

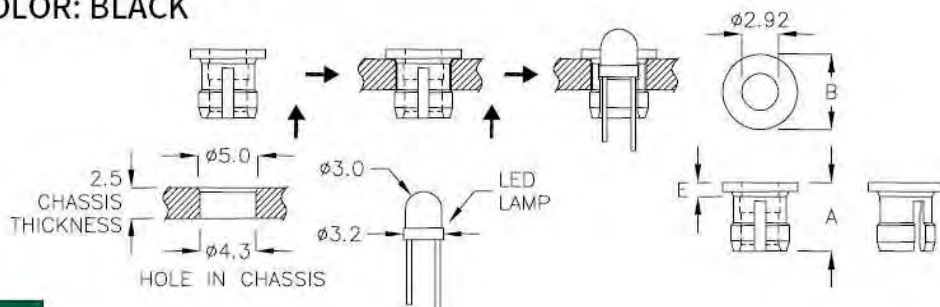
ALSO CAN ASSEMBLE WITH UW-08A (PAGE 13-22-4)



LED 座 LED HOUSING

4-42-3

- MATERIAL: NYLON 66(UL)
- FLAME CLASS: 94V-2
- COLOR: BLACK



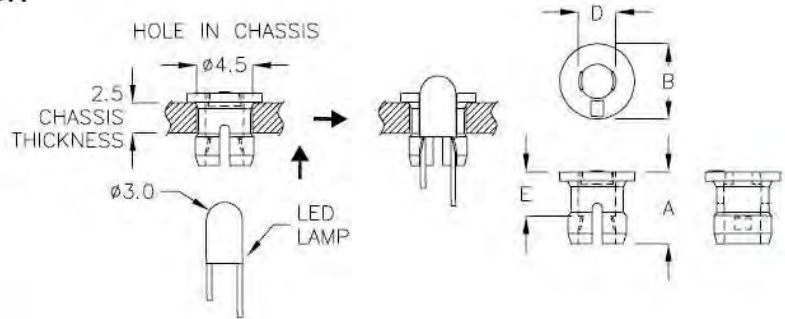
FOR ø3 2PIN LED				
PART NO	A	B	E	PACKAGE
CLED-4	5.46	ø6.0	1.12	2000



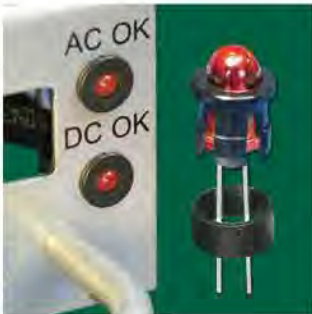
LED 座 LED HOUSING

4-43-1

- MATERIAL: NYLON 66(UL)
- FLAME CLASS: 94V-2
- COLOR: BLACK

FOR $\phi 3$ 2PIN LED

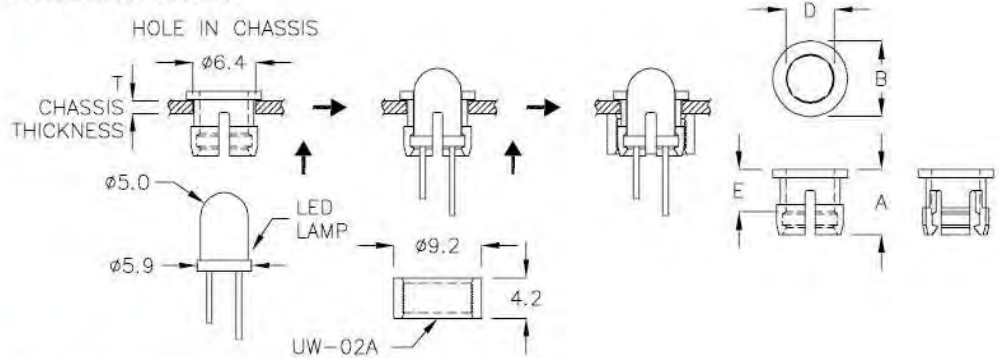
PART NO	A	B	D	E	PACKAGE
CLED-4FM	5.7	$\phi 6.0$	$\phi 3.0$	3.5	2000



LED 座 LED HOUSING

4-43-2

- MATERIAL: NYLON 66(UL)
- FLAME CLASS: 94V-2
- COLOR: BLACK

FOR $\phi 5$ 2PIN LED

PART NO	A	B	D	E	T CHASSIS THICKNESS	PACKAGE
CLED-5	6.8	$\phi 7.9$	$\phi 5.1$	4.45	0.8~2.6	2000
CLED-5A	6.8	$\phi 7.9$	$\phi 5.1$	4.45	2.8	

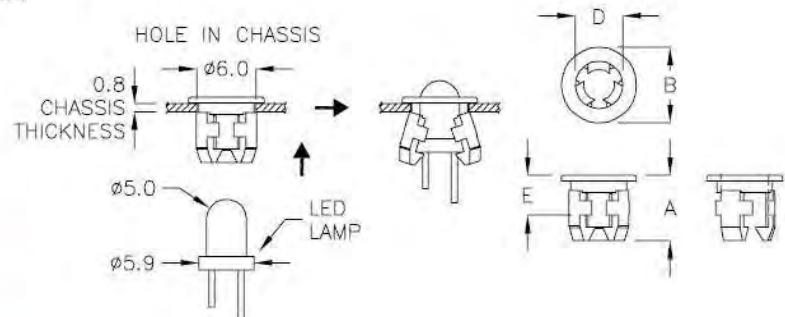
"CLED-5" ALSO CAN ASSEMBLE WITH UW-02A (PAGE 13-22-4)



LED 座 LED HOUSING

4-43-3

- MATERIAL: NYLON 66(UL)
- FLAME CLASS: 94V-2
- COLOR: BLACK

FOR $\phi 5$ 2PIN LED

PART NO	A	B	D	E	PACKAGE
YLED-5GK	6.9	$\phi 8.0$	$\phi 5.05$	4.2	2000

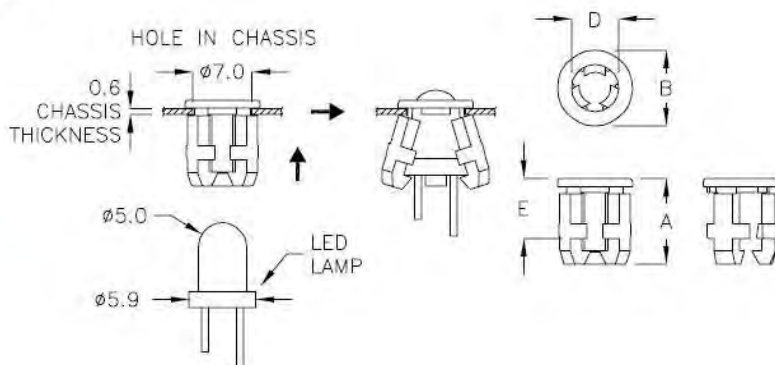


LED 座 LED HOUSING

4-44-1

- MATERIAL: NYLON 66(UL)
- FLAME CLASS: 94V-2
- COLOR: BLACK

FOR $\phi 5$ 2PIN LED					
PART NO	A	B	D	E	PACKAGE
GLED-5TC	8.85	$\phi 7.8$	$\phi 4.9$	6.2	2000

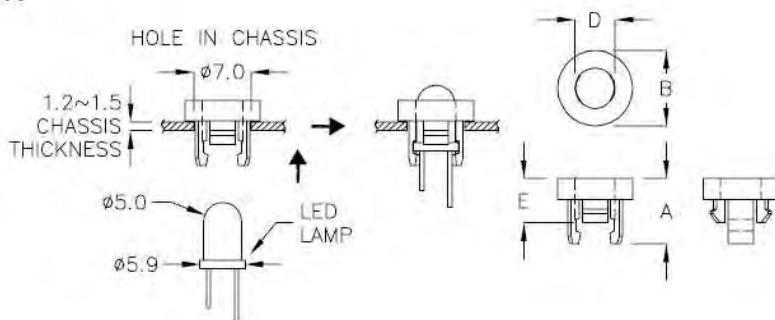


LED 座 LED HOUSING

4-44-2

- MATERIAL: NYLON 66(UL)
- FLAME CLASS: 94V-2
- COLOR: BLACK

FOR $\phi 5$ 2PIN or 3PIN LED					
PART NO	A	B	D	E	PACKAGE
CLED-1L	8.2	$\phi 9.5$	$\phi 5.1$	5.55	2000

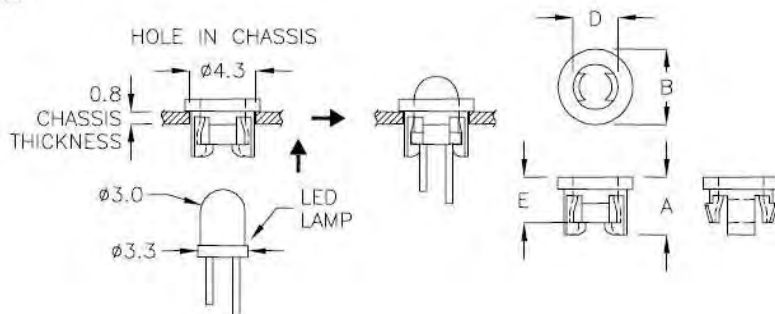


LED 座 LED HOUSING

4-44-3

- MATERIAL: NYLON 66(UL)
- FLAME CLASS: 94V-2
- COLOR: BLACK

FOR $\phi 3$ 2PIN or 3PIN LED					
PART NO	A	B	D	E	PACKAGE
CLED-2M	3.8	$\phi 5.0$	$\phi 3.0$	3.0	2000

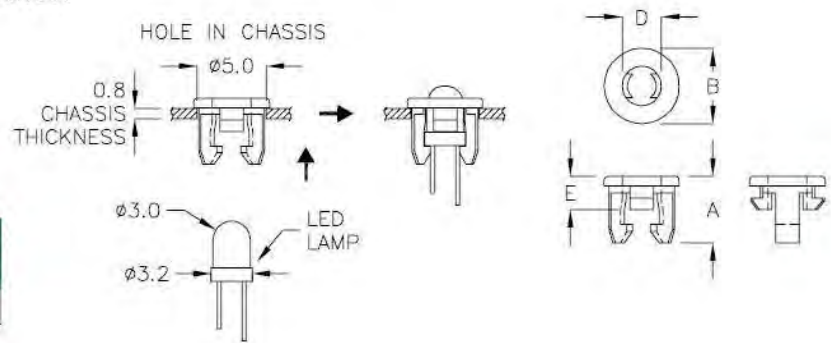




LED 座 LED HOUSING

4-45-1

- MATERIAL: NYLON 66(UL)
- FLAME CLASS: 94V-2
- COLOR: BLACK

FOR $\phi 3$ 2PIN LED

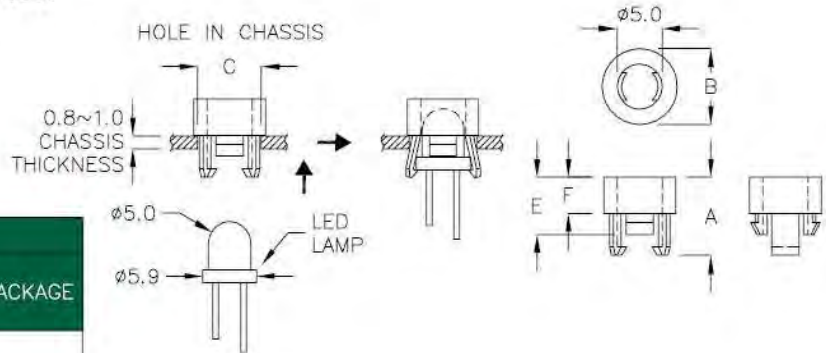
PART NO	A	B	D	E	PACKAGE
CLED-2AJ	4.9	$\phi 5.6$	$\phi 2.95$	2.45	2000



LED 座 LED HOUSING

4-45-2

- MATERIAL: NYLON 66(UL)
- FLAME CLASS: 94V-2
- COLOR: BLACK

FOR $\phi 5$ 2PIN or 3PIN LED

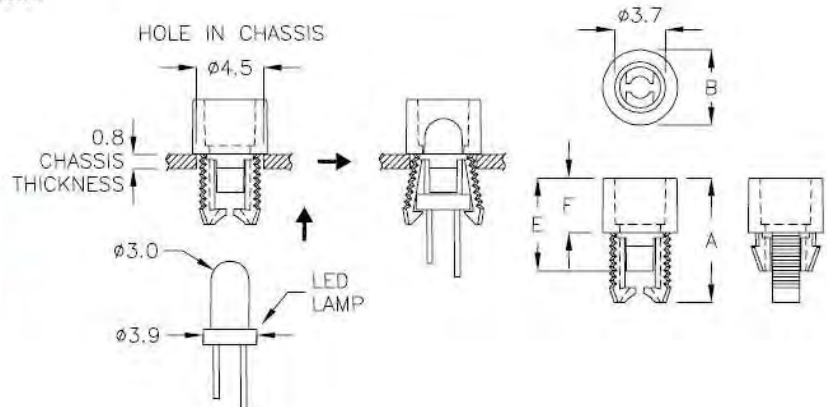
PART NO	A	B	C HOLE IN CHASSIS	E	F	PACKAGE
CLED-1M	8.5	$\phi 7.9$	$\phi 6.6$	6.3	4.0	2000
CLED-1FC	9.2	$\phi 7.9$	$\phi 6.5$	7.3	5.0	
CLED-1Q	10.3	$\phi 7.9$	$\phi 6.5$	8.4	6.1	
CLED-1R	13.8	$\phi 7.9$	$\phi 6.5$	11.9	9.6	



LED 座 LED HOUSING

4-45-3

- MATERIAL: NYLON 66(UL)
- FLAME CLASS: 94V-2
- COLOR: BLACK

FOR $\phi 3$ 2PIN or 3PIN LED

PART NO	A	B	E	F	PACKAGE
CLED-1GK	9.05	$\phi 5.5$	6.75	3.95	2000



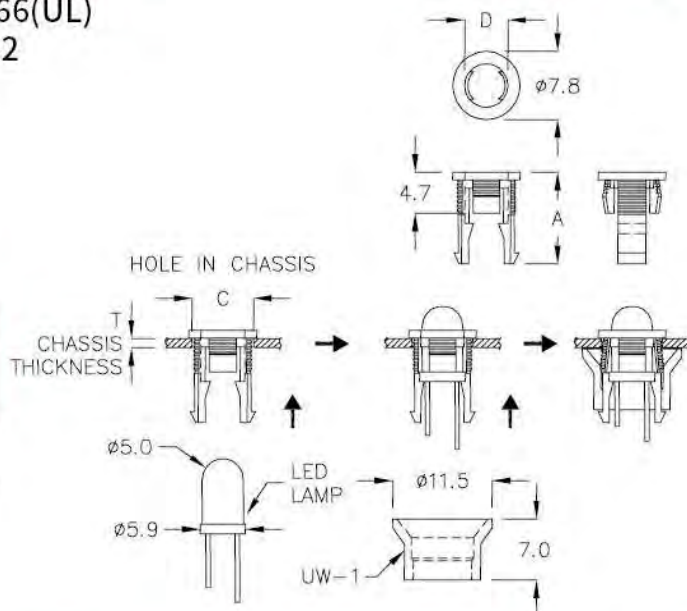
LED 座 LED HOUSING

4-46-1

- MATERIAL: NYLON 66(UL)
- FLAME CLASS: 94V-2
- COLOR: BLACK

FOR $\phi 5$ 2PIN LED					
PART NO	A	C HOLE IN CHASSIS	D	T CHASSIS THICKNESS	PACKAGE
CLED-2	10.5	$\phi 6.5$	$\phi 5.0$	1.0	2000
CLED-10YS	10.5	$\phi 6.2$	$\phi 5.1$	0.7~1.0	

ALSO CAN ASSEMBLE WITH UW-1 (PAGE 13-21-4)



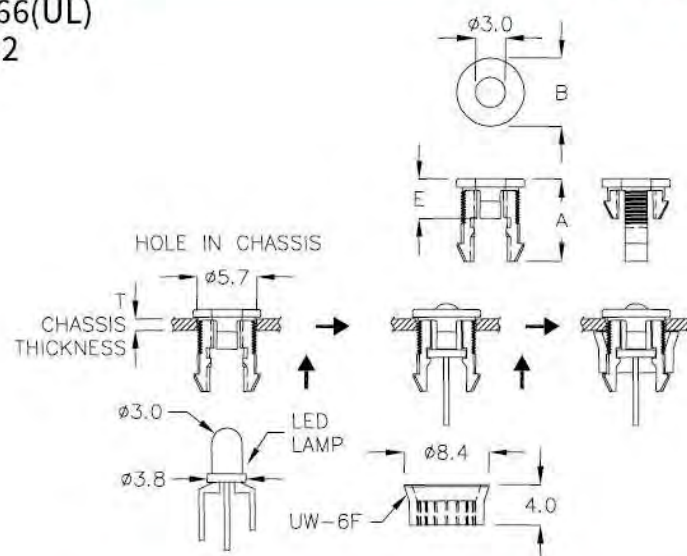
LED 座 LED HOUSING

4-46-2

- MATERIAL: NYLON 66(UL)
- FLAME CLASS: 94V-2
- COLOR: BLACK

FOR $\phi 3$ 3PIN LED					
PART NO	A	B	E	T CHASSIS THICKNESS	PACKAGE
CLED-6D	8.1	$\phi 6.7$	3.9	1.2	2000
CLED-6F	7.7	$\phi 6.7$	3.5	0.8	

ALSO CAN ASSEMBLE WITH UW-6F (PAGE 13-22-1)



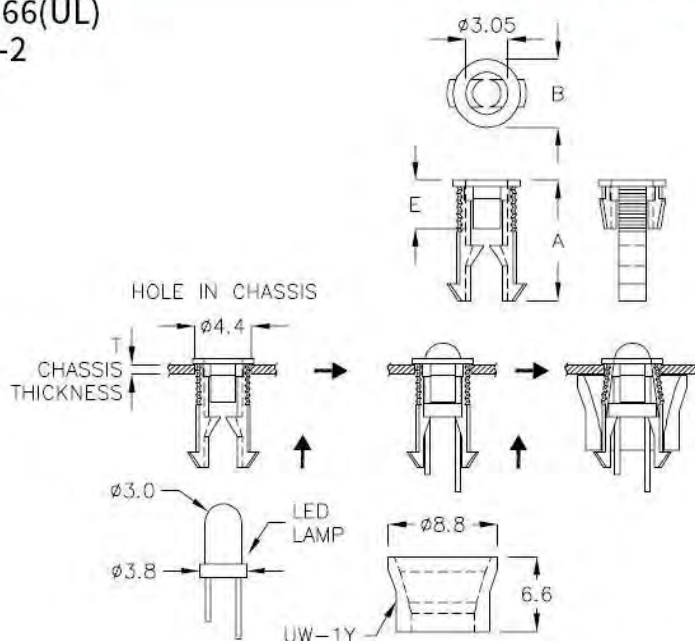
LED 座 LED HOUSING

4-46-3

- MATERIAL: NYLON 66(UL)
- FLAME CLASS: 94V-2
- COLOR: BLACK

FOR $\phi 3$ 2PIN LED					
PART NO	A	B	E	T CHASSIS THICKNESS	PACKAGE
CLED-2P	9.35	$\phi 4.9$	3.5	0.8	2000

ALSO CAN ASSEMBLE WITH UW-1Y (PAGE 13-21-4)





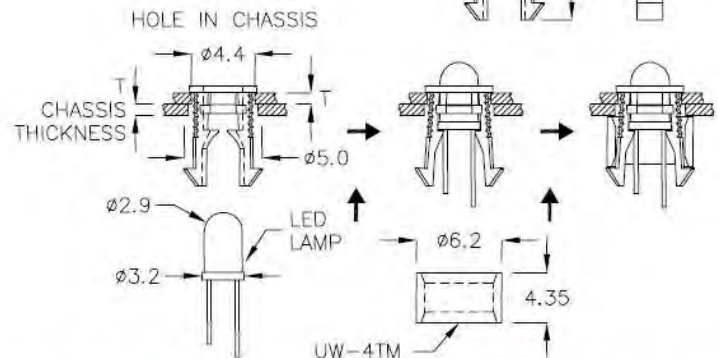
LED 座 LED HOUSING

4-47-1

- MATERIAL: NYLON 66(UL)
- FLAME CLASS: 94V-2
- COLOR: BLACK

FOR $\phi 3$ 2PIN LED				
PART NO	A	B	T CHASSIS THICKNESS	PACKAGE
CLED-7WP	7.85	$\phi 4.9$	0.8	2000

ALSO CAN ASSEMBLE WITH UW-4TM (PAGE 13-22-2)

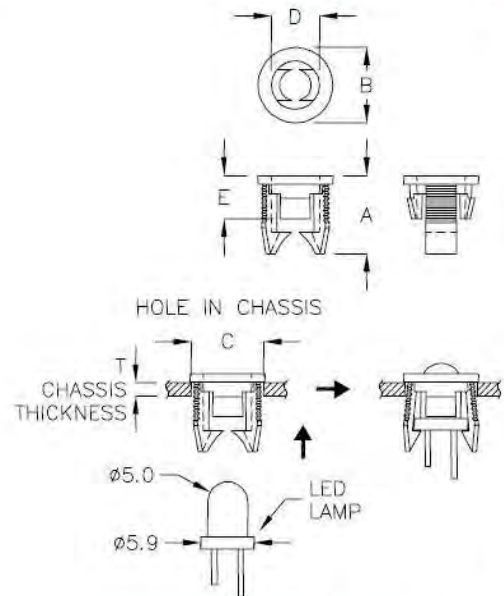


LED 座 LED HOUSING

4-47-2

- MATERIAL: NYLON 66(UL)
- FLAME CLASS: 94V-2
- COLOR: BLACK

FOR $\phi 5$ 2PIN LED							
PART NO	A	B	C HOLE IN CHASSIS	D	E	T CHASSIS THICKNESS	PACKAGE
CLED-1D	8.05	$\phi 7.8$	$\phi 6.5$	$\phi 5.0$	4.45	0.8~1.1	2000
CLED-4C	6.3	$\phi 7.8$	$\phi 6.0$	$\phi 5.0$	3.9	0.8~1.1	
CLED-6	8.0	$\phi 7.8$	$\phi 7.0$	$\phi 5.1$	4.6	0.8~0.9	

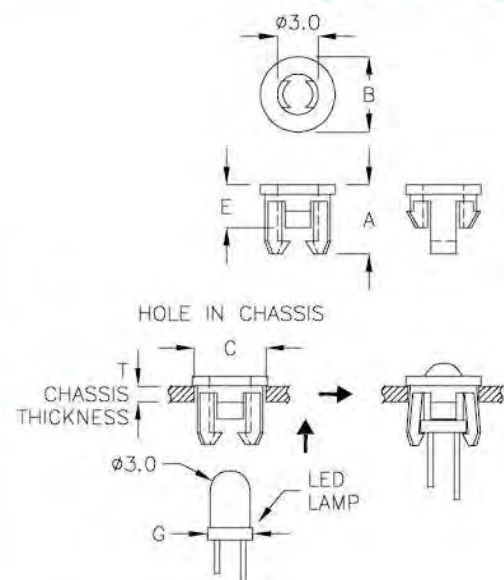


LED 座 LED HOUSING

4-47-3

- MATERIAL: NYLON 66(UL)
- FLAME CLASS: 94V-2
- COLOR: BLACK

FOR $\phi 3$ 2PIN LED							
PART NO	A	B	C HOLE IN CHASSIS	E	T CHASSIS THICKNESS	G LED LAMP	PACKAGE
CLED-1H	5.0	$\phi 5.5$	$\phi 5.0$	3.15	1.0~1.1	$\phi 3.9$	2000
CLED-3F	6.4	$\phi 5.5$	$\phi 4.5$	4.2	0.8	$\phi 3.9$	
CLED-3GX	8.15	$\phi 5.5$	$\phi 4.5$	5.95	4.0	$\phi 3.3 \sim \phi 3.5$	
CLED-3Q	4.8	$\phi 5.6$	$\phi 5.0$	2.7	0.7~0.9	$\phi 3.3 \sim \phi 3.5$	
CLED-2D	5.2	$\phi 5.6$	$\phi 5.0$	3.1	0.8	$\phi 3.9$	
CLED-1W	5.5	$\phi 5.8$	$\phi 4.7$	3.0	1.2~1.3	$\phi 3.9$	

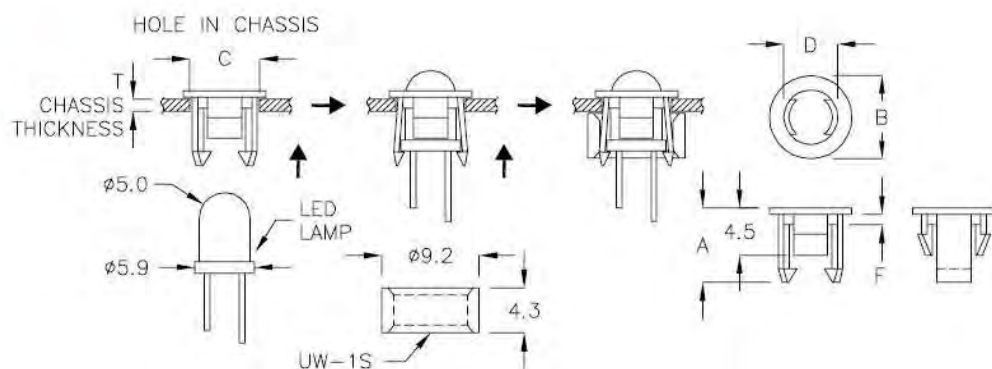




LED 座 LED HOUSING

4-48-1

- MATERIAL: NYLON 66(UL)
- FLAME CLASS: 94V-2
- COLOR: BLACK



FOR ø5 2PIN LED							
PART NO	A	B	C HOLE IN CHASSIS	D	F	T CHASSIS THICKNESS	PACKAGE
CLED-1S	7.0	ø7.8	ø6.2	ø5.1	1.0	1.0~1.6	2000
CLED-1T	6.9	ø7.8	ø6.2	ø5.1	1.9	1.0~1.6	
CLED-1U	7.0	ø7.8	ø6.2	ø5.1	0.2	1.0	

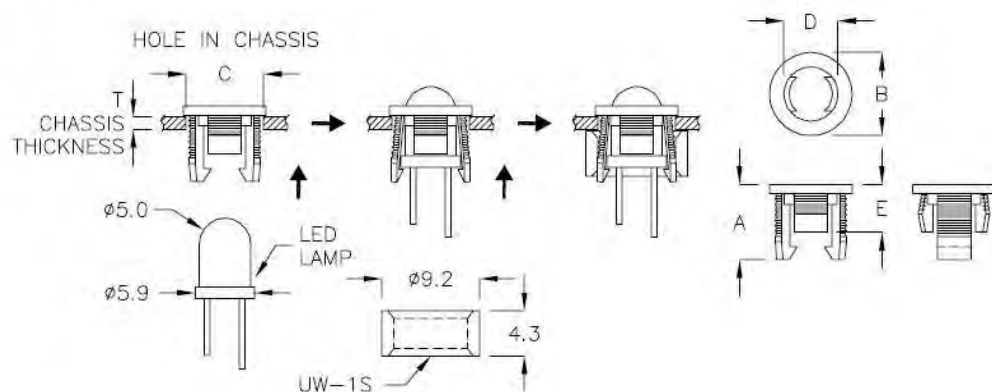
"CLED-1S" ALSO CAN ASSEMBLE WITH UW-1S (PAGE 13-22-2)



LED 座 LED HOUSING

4-48-2

- MATERIAL: NYLON 66(UL)
- FLAME CLASS: 94V-2
- COLOR: BLACK



FOR ø5 2PIN LED							
PART NO	A	B	C HOLE IN CHASSIS	D	E	T CHASSIS THICKNESS	PACKAGE
CLED-1	7.15	ø7.8	ø6.5	ø5.0	4.4	0.8~1.6	2000
CLED-1A	7.05	ø7.8	ø6.2	ø5.0	4.45	1.0~1.6	

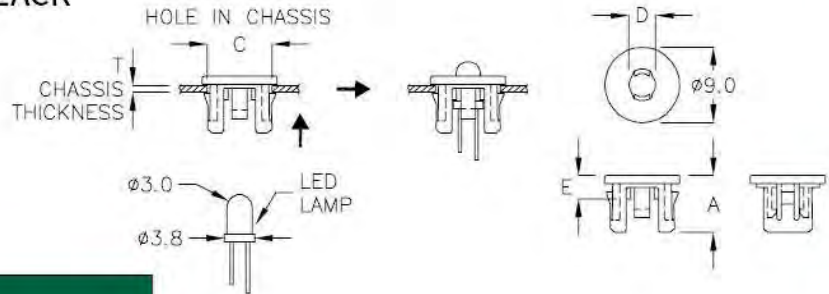
ALSO CAN ASSEMBLE WITH UW-1S (PAGE 13-22-2)



LED 座 LED HOUSING

4-49-1

- MATERIAL: NYLON 66(UL)
- FLAME CLASS: 94V-2
- COLOR: BLACK



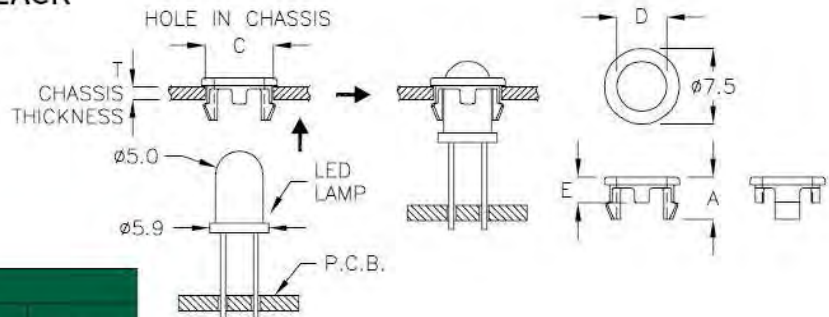
FOR ø3 2PIN LED						
PART NO	A	C HOLE IN CHASSIS	D	E	T CHASSIS THICKNESS	PACKAGE
QLED-3AK	6.8	ø7.6	ø3.2	2.8	0.6~0.8	2000



LED 座 LED HOUSING

4-49-2

- MATERIAL: NYLON 66(UL)
- FLAME CLASS: 94V-2
- COLOR: BLACK



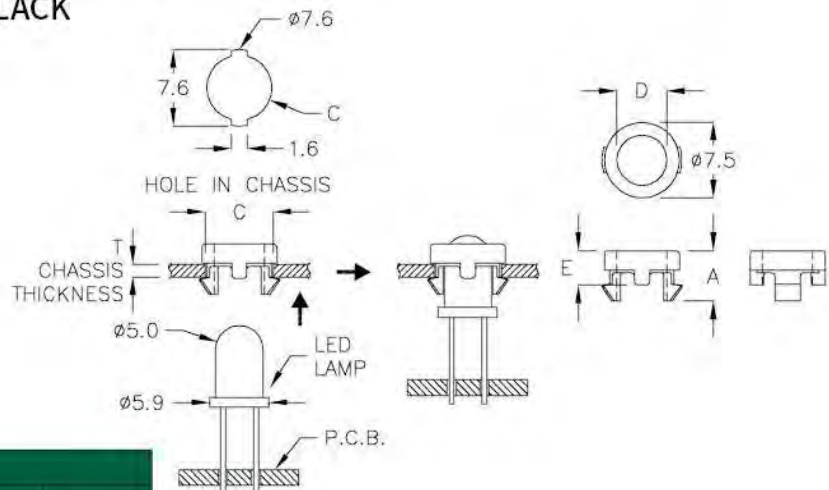
FOR ø5 2PIN LED						
PART NO	A	C HOLE IN CHASSIS	D	E	T CHASSIS THICKNESS	PACKAGE
FLED-5C	4.2	ø6.5	ø5.0	2.6	1.5	2000



LED 座 LED HOUSING

4-49-3

- MATERIAL: NYLON 66(UL)
- FLAME CLASS: 94V-2
- COLOR: BLACK



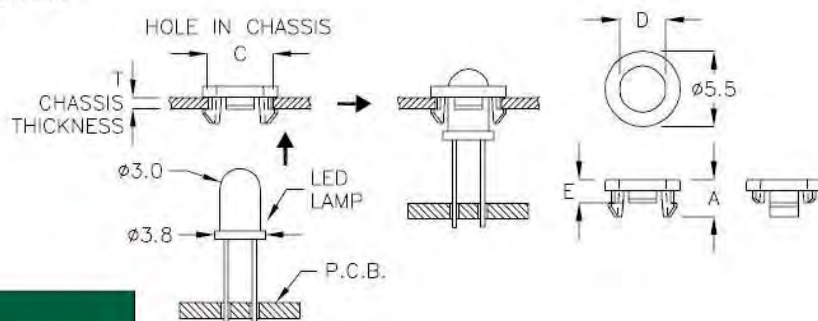
FOR ø5 2PIN LED						
PART NO	A	C HOLE IN CHASSIS	D	E	T CHASSIS THICKNESS	PACKAGE
FLED-5HK	5.0	ø6.5	ø5.0	3.4	1.2	2000



LED 套 LED HOLDER

4-50-1

- MATERIAL: NYLON 66(UL)
- FLAME CLASS: 94V-2, 94V-0
- COLOR: BLACK



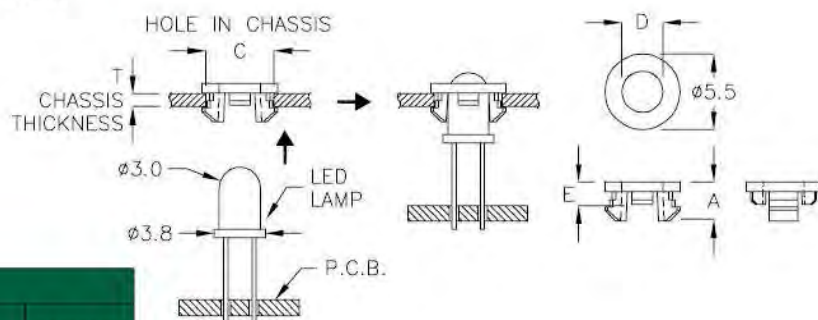
FOR ø3 2PIN LED						
PART NO	A	C HOLE IN CHASSIS	D	E	T CHASSIS THICKNESS	PACKAGE
CLA-3FM	2.5	ø4.7	ø3.0	2.0	0.6	2000
CLA-03	2.7	ø4.7	ø3.0	1.7	0.8	



LED 套 LED HOLDER

4-50-2

- MATERIAL: NYLON 66(UL)
- FLAME CLASS: 94V-2
- COLOR: BLACK



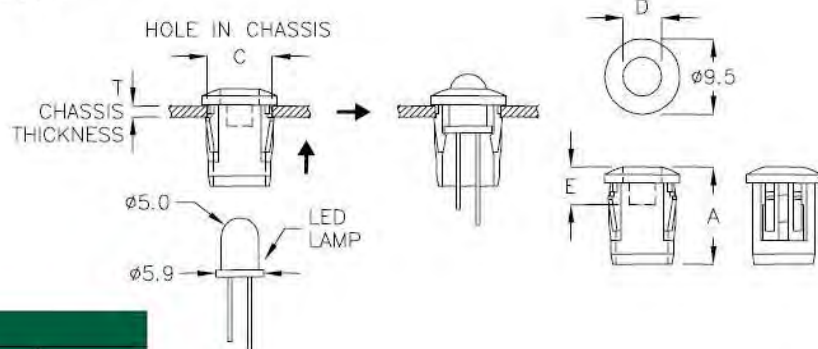
FOR ø3 2PIN LED						
PART NO	A	C HOLE IN CHASSIS	D	E	T CHASSIS THICKNESS	PACKAGE
CLA-3AR	2.8	ø4.9	ø3.0	1.6	1.0	2000



LED 座 LED HOUSING

4-50-3

- MATERIAL: NYLON 66(UL)
- FLAME CLASS: 94V-2
- COLOR: BLACK

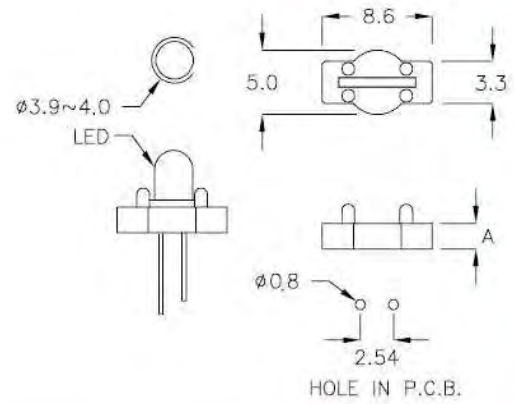


FOR ø5 2PIN LED						
PART NO	A	C HOLE IN CHASSIS	D	E	T CHASSIS THICKNESS	PACKAGE
EEA-1C	12.2	ø8.0	ø4.9	4.7	0.8~1.5	2000
EEA-12D	12.2	ø8.0	ø4.9	4.7	2.0	

**LED 套 LED HOLDER****4-51-1**

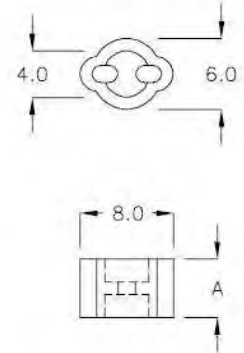
- MATERIAL: NYLON 66(UL)
- FLAME CLASS: 94V-2
- COLOR: BLACK

FOR $\phi 3$ 2PIN LED		
PART NO	A	PACKAGE
LES-02	2.0	2000

**LED 套 LED HOLDER****4-51-2**

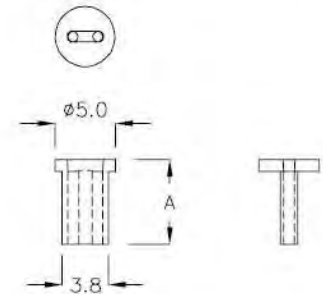
- MATERIAL: NYLON 66(UL)
- FLAME CLASS: 94V-2
- COLOR: NATURAL

FOR $\phi 5$ 2PIN LED		
PART NO	A	PACKAGE
LES-5	5.0	2000

**LED 套 LED HOLDER****4-51-3**

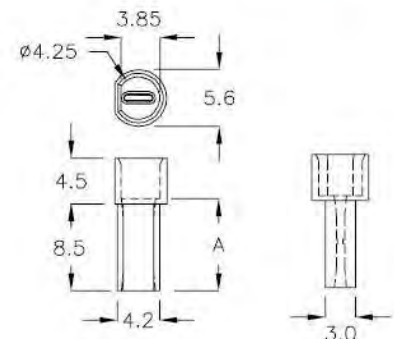
- MATERIAL: NYLON 66(UL)
- FLAME CLASS: 94V-2
- COLOR: NATURAL

FOR $\phi 5$ 2PIN LED		
PART NO	A	PACKAGE
LEZ-7	7.0	2000

**LED 套 LED HOLDER****4-51-4**

- MATERIAL: NYLON 66(UL)
- FLAME CLASS: 94V-2
- COLOR: NATURAL

FOR $\phi 3$ 2PIN LED		
PART NO	A	PACKAGE
EQC-09	9.0	500



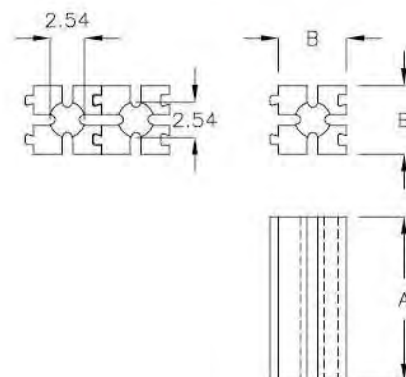


LED 套 LED HOLDER

4-52-1

- MATERIAL: NYLON 66(UL)
- FLAME CLASS: 94V-2
- COLOR: NATURAL, BLACK

FOR $\phi 5$ 2PIN LED				
PART NO	A	B	PACKAGE	
LEDX-3	3.0	5.0	2000	
LEDX-4	4.0			
LEDX-5	5.0			
LEDX-6	6.0			
LEDX-7	7.0			
LEDX-8	8.0			
LEDX-9	9.0	5.0	1000	
LEDX-10	10.0			
LEDX-11	11.0			
LEDX-12	12.0			

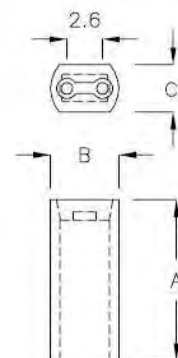


LED 套 LED HOLDER

4-52-2

- MATERIAL: NYLON 66(UL)
- FLAME CLASS: 94V-2
- COLOR: NATURAL

FOR $\phi 5$ 2PIN LED				
PART NO	A	B	C	PACKAGE
QBF-15	15.0	5.0	3.4	1000



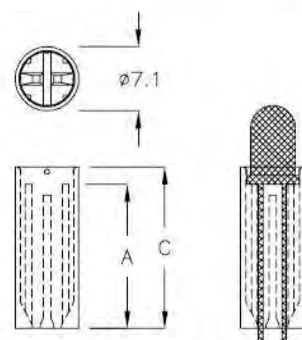
LED 套 LED HOLDER

4-52-3

- MATERIAL: NYLON 66(UL)
- FLAME CLASS: 94V-2
- COLOR: NATURAL

Built-In Clamp Function

FOR $\phi 5$ 2PIN LED			
PART NO	A	C	PACKAGE
LED-18	16.0	18.0	1000



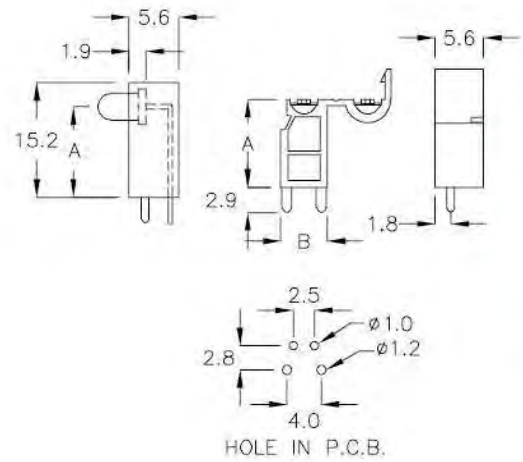


LED 座 LED HOUSING

- MATERIAL: NYLON 66(UL)
- FLAME CLASS: 94V-2
- COLOR: NATURAL

Built-In Clamp Function

FOR $\phi 3$ 2PIN LED			
PART NO	A	B	PACKAGE
LJA-12A	12.5	5.4	500



4-13-1

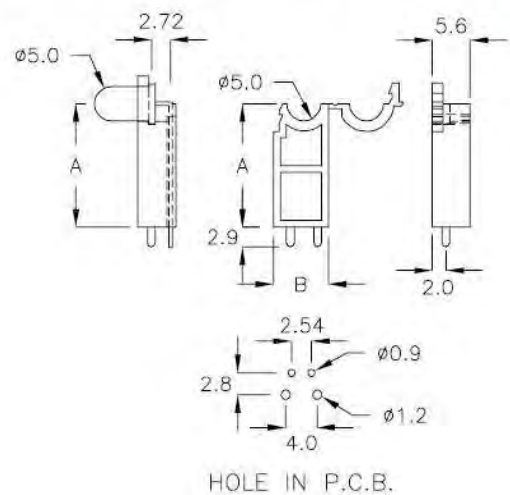


LED 座 LED HOUSING

- MATERIAL: NYLON 66(UL)
- FLAME CLASS: 94V-2
- COLOR: BLACK

Built-In Clamp Function

FOR $\phi 5$ 2PIN LED			
PART NO	A	B	PACKAGE
QLJ-18	18.0	8.1	500



4-13-2

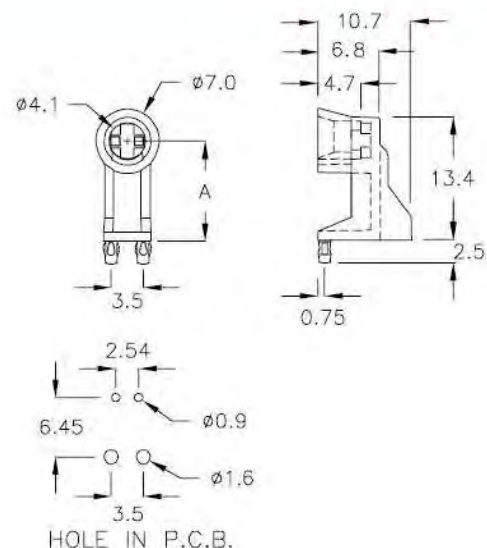


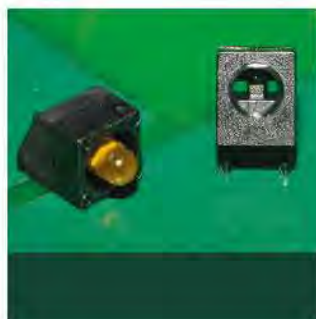
LED 座 LED HOUSING

- MATERIAL: NYLON 66(UL)
- FLAME CLASS: 94V-2
- COLOR: BLACK

Built-In Clamp Function

FOR $\phi 3$ 2PIN LED		
PART NO	A	PACKAGE
QQD-10A	10.9	500

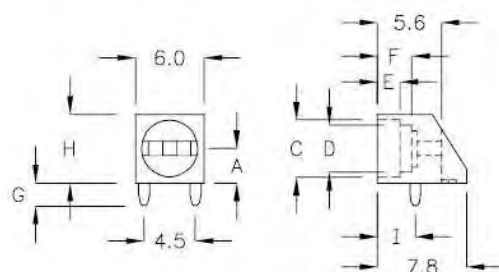




LED 座 LED HOUSING

- MATERIAL: NYLON 66(UL)
- FLAME CLASS: 94V-2
- COLOR: BLACK

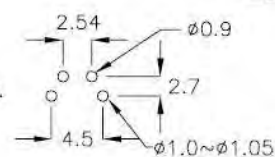
4-14-1



Built-In Clamp Function

FOR $\phi 5, \phi 3$ 2PIN LED									
PART NO	A	C	D	E	F	G	H	I	PACKAGE
LED-2C	3.0	$\phi 5.0$	$\phi 4.1$	2.7	4.2	3.2	6.0	3.3	1000
LED-2Y	3.0	$\phi 5.0$	$\phi 4.1$	2.0	3.0	3.2	6.0	3.4	

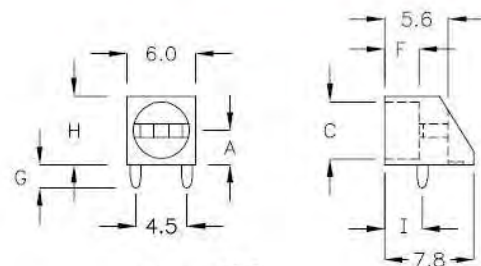
HOLE IN P.C.B.



LED 座 LED HOUSING

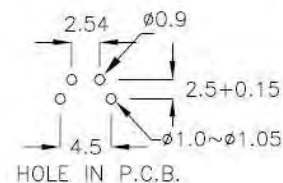
- MATERIAL: NYLON 66(UL)
- FLAME CLASS: 94V-2
- COLOR: BLACK

4-14-2



Built-In Clamp Function

FOR $\phi 3$ 2PIN LED							
PART NO	A	C	F	G	H	I	PACKAGE
LED-3Y	4.0	$\phi 4.1$	1.4	2.5	7.0	3.3	1000
LED-3YK	4.0	$\phi 3.3$	1.4	2.5	7.0	3.3	
LED-4Y	3.0	$\phi 4.1$	1.4	1.5	6.0	3.3	



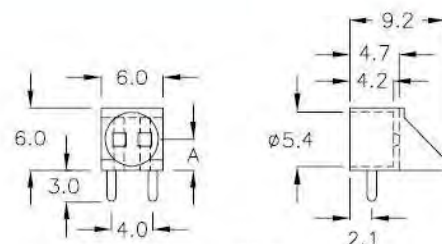
HOLE IN P.C.B.



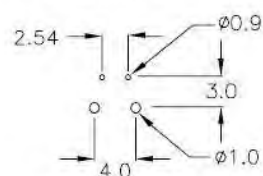
LED 座 LED HOUSING

- MATERIAL: NYLON 66(UL)
- FLAME CLASS: 94V-2
- COLOR: BLACK

4-14-3



FOR $\phi 5$ 2PIN LED		
PART NO	A	PACKAGE
LED-5Y	3.0	500



HOLE IN P.C.B.

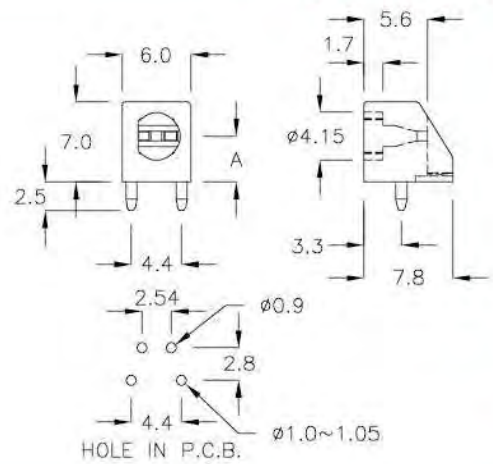


LED 座 LED HOUSING

- MATERIAL: NYLON 66(UL)
- FLAME CLASS: 94V-2
- COLOR: BLACK

Built-In Clamp Function

FOR $\phi 3$ 2PIN LED		
PART NO	A	PACKAGE
LED-4WK	4.0	1000

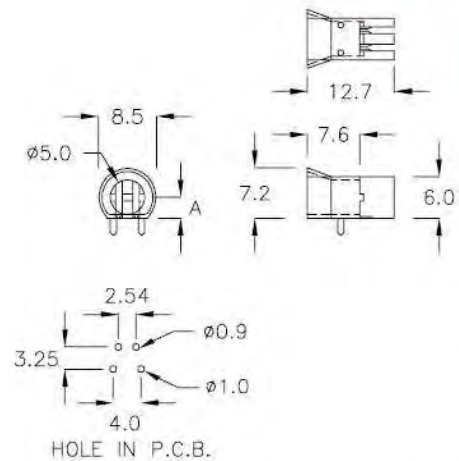


LED 座 LED HOUSING

- MATERIAL: NYLON 66(UL)
- FLAME CLASS: 94V-2
- COLOR: NATURAL

Built-In Clamp Function

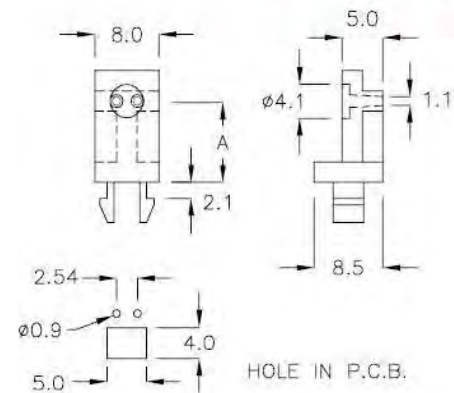
FOR $\phi 5$ 2PIN LED		
PART NO	A	PACKAGE
ELA-01	3.0	500



LED 座 LED HOUSING

- MATERIAL: NYLON 66(UL)
- FLAME CLASS: 94V-2
- COLOR: NATURAL

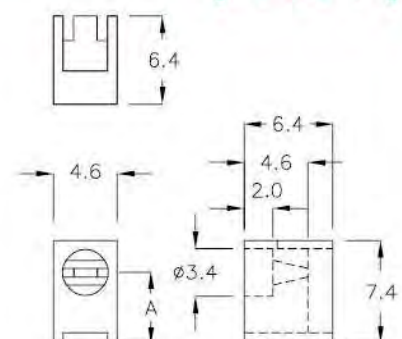
FOR $\phi 5$ 2PIN LED		
PART NO	A	PACKAGE
LED-10Y	10.0	500



LED 座 LED HOUSING

- MATERIAL: NYLON 66(UL)
- FLAME CLASS: 94V-2
- COLOR: BLACK

FOR $\phi 3$ 2PIN LED		
PART NO	A	PACKAGE
LEF5-5	5.1	1000



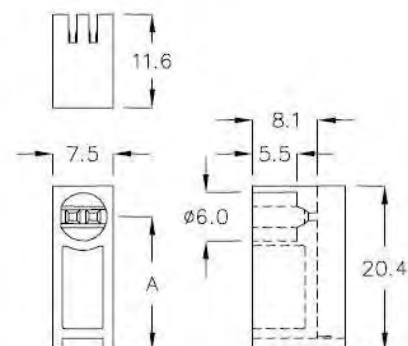


LED 座 LED HOUSING

- MATERIAL: NYLON 66(UL)
- FLAME CLASS: 94V-2
- COLOR: BLACK

Built-In Clamp Function

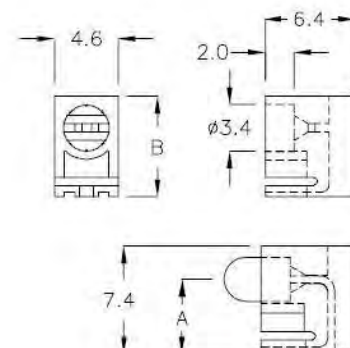
FOR $\phi 5$ 2PIN LED			
PART NO	A	PACKAGE	
LEF-16HF	16.6	500	



LED 座 LED HOUSING

- MATERIAL: NYLON 66(UL)
- FLAME CLASS: 94V-2
- COLOR: BLACK

FOR $\phi 3$ 2PIN LED			
PART NO	A	B	PACKAGE
LMD-5A	5.1	7.3	1000

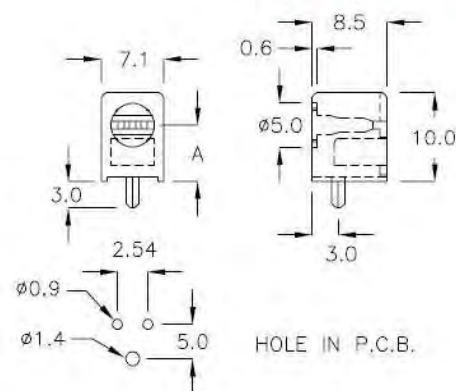


LED 座 LED HOUSING

- MATERIAL: NYLON 66(UL)
- FLAME CLASS: 94V-2
- COLOR: BLACK

Built-In Clamp Function

FOR $\phi 5$ 2PIN LED			
PART NO	A	PACKAGE	
EEW-6A	6.35	1000	

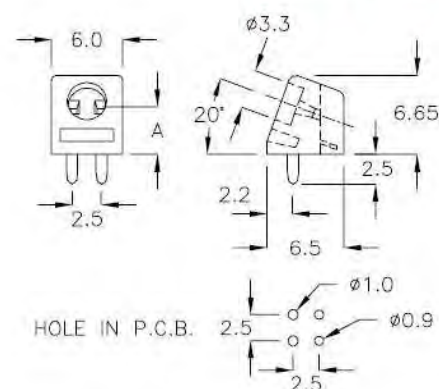


LED 座 LED HOUSING

- MATERIAL: NYLON 66(UL)
- FLAME CLASS: 94V-2
- COLOR: NATURAL

Built-In Clamp Function

FOR $\phi 3$ 2PIN LED			
PART NO	A	PACKAGE	
LET3-4AK	4.0	1000	

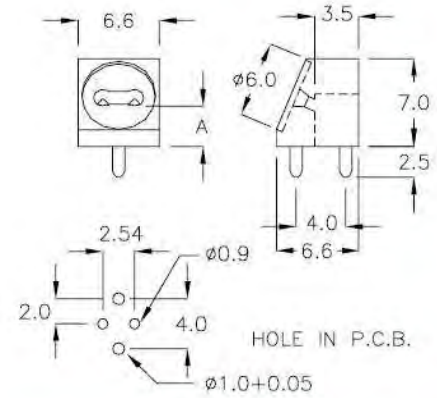




LED 座 LED HOUSING

- MATERIAL: NYLON 66(UL)
- FLAME CLASS: 94V-2
- COLOR: NATURAL, BLACK

FOR $\phi 5$ 2PIN LED		
PART NO	A	PACKAGE
LET5-3T	3.3	1000



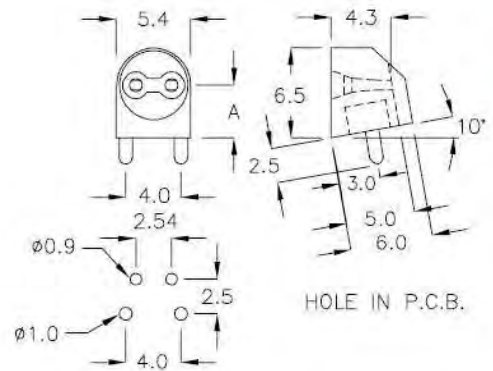
4-17-1



LED 座 LED HOUSING

- MATERIAL: NYLON 66(UL)
- FLAME CLASS: 94V-2
- COLOR: BLACK

FOR $\phi 5$ 2PIN LED		
PART NO	A	PACKAGE
LET5-4.5T	3.8	1000



4-17-2

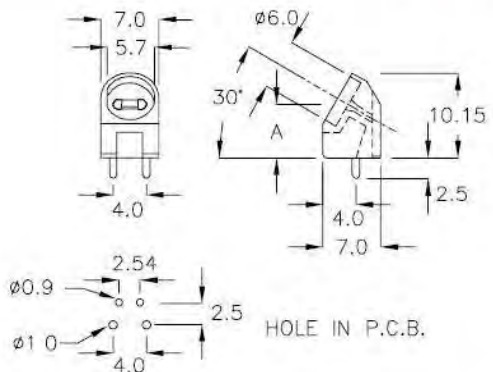


LED 座 LED HOUSING

- MATERIAL: NYLON 66(UL)
- FLAME CLASS: 94V-2
- COLOR: BLACK

Built-In Clamp Function

FOR $\phi 5$ 2PIN LED		
PART NO	A	PACKAGE
LET5-5A	6.4	1000



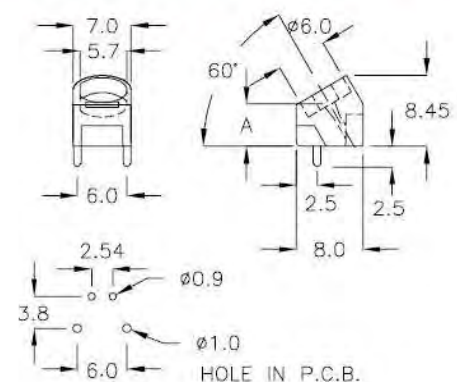
4-17-3



LED 座 LED HOUSING

- MATERIAL: NYLON 66(UL)
- FLAME CLASS: 94V-2
- COLOR: BLACK

FOR $\phi 5$ 2PIN LED		
PART NO	A	PACKAGE
LET5-06	5.0	1000



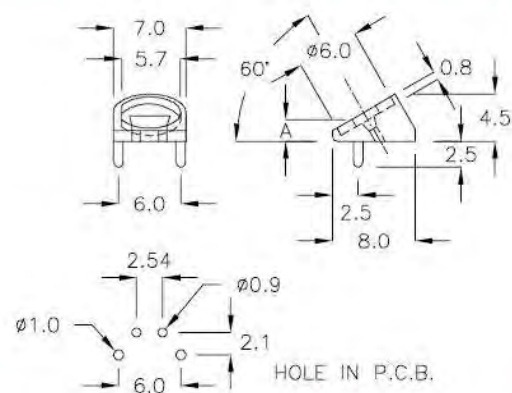
4-17-4



LED 座 LED HOUSING

- MATERIAL: NYLON 66(UL)
- FLAME CLASS: 94V-2
- COLOR: BLACK

FOR $\phi 5$ 2PIN LED			
PART NO	A	PACKAGE	
LET5-2C	2.0	2000	

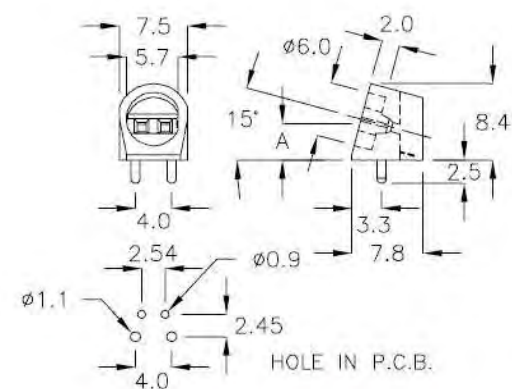


LED 座 LED HOUSING

- MATERIAL: NYLON 66(UL)
- FLAME CLASS: 94V-2
- COLOR: NATURAL, BLACK

Built-In Clamp Function

FOR $\phi 5$ 2PIN LED			
PART NO	A	PACKAGE	
LET5-4CK	4.0	1000	

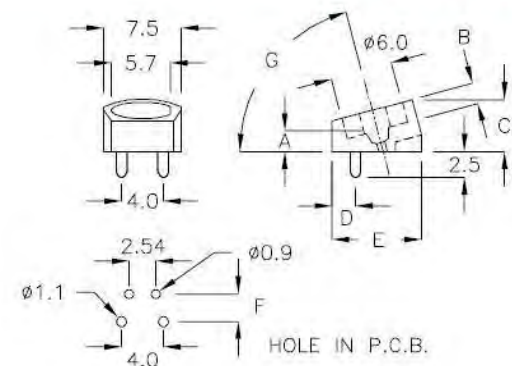


LED 座 LED HOUSING

- MATERIAL: NYLON 66(UL)
- FLAME CLASS: 94V-2
- COLOR: BLACK

Built-In Clamp Function

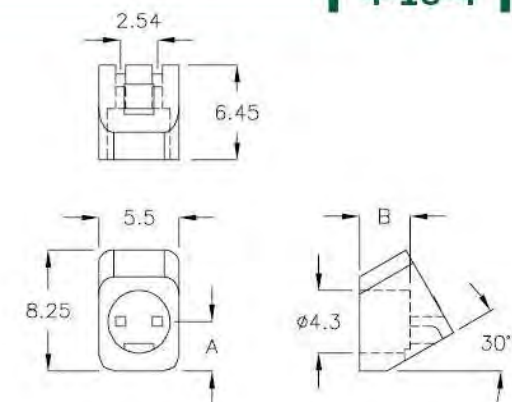
FOR $\phi 5$ 2PIN LED								
PART NO	A	B	C	D	E	F	G	PACKAGE
LET5-2DF	2.0	2.0	5.0	2.3	8.65	2.65	75°	1000
LET5-3MQ	3.0	2.0	7.25	3.35	8.85	3.9	45°	



LED 座 LED HOUSING

- MATERIAL: NYLON 66(UL)
- FLAME CLASS: 94V-2
- COLOR: NATURAL

FOR $\phi 3$ 2PIN LED			
PART NO	A	B	PACKAGE
QLC-3A	3.4	3.5	2000

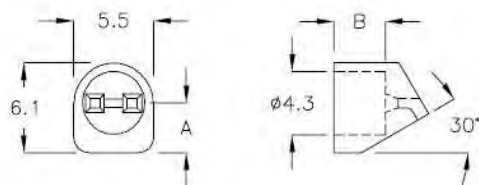
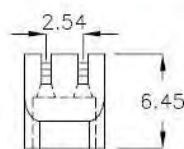




LED 座 LED HOUSING

- MATERIAL: NYLON 66(UL)
- FLAME CLASS: 94V-2
- COLOR: NATURAL

4-19-1



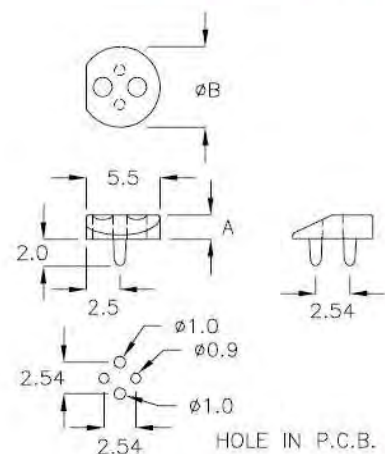
FOR $\phi 3$ 2PIN LED			
PART NO	A	B	PACKAGE
QLX-3K	3.4	3.5	1000



LED 座 LED HOUSING

- MATERIAL: NYLON 66(UL)
- FLAME CLASS: 94V-2
- COLOR: BLACK

4-19-2



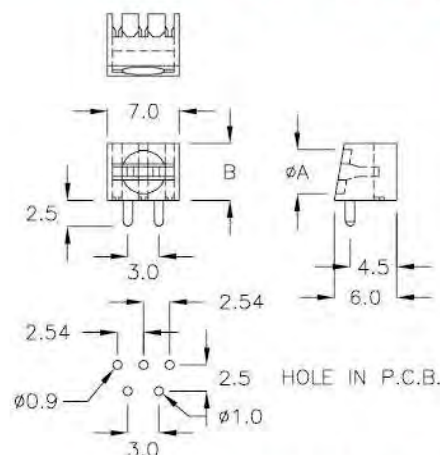
FOR $\phi 3$ 2PIN LED			
PART NO	A	B	PACKAGE
EKF-1A	1.8	6.0	2000



LED 座 LED HOUSING

- MATERIAL: NYLON 66(UL)
- FLAME CLASS: 94V-2
- COLOR: BLACK

4-19-3



Built-In Clamp Function

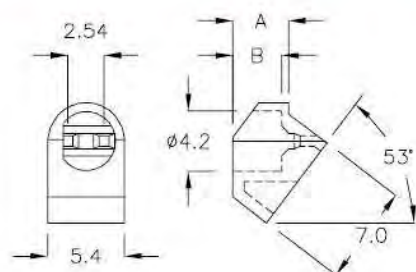
FOR $\phi 3$ 3PIN LED			
PART NO	A	B	PACKAGE
EEN-3A	4.3	5.5	1000



LED 座 LED HOUSING

- MATERIAL: NYLON 66(UL)
- FLAME CLASS: 94V-2
- COLOR: NATURAL

4-19-4



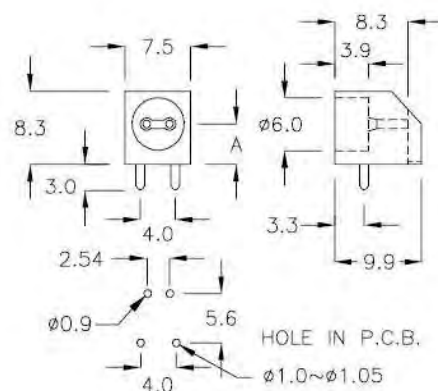
FOR $\phi 3$ 2PIN LED			
PART NO	A	B	PACKAGE
QLA-05	4.1	3.45	2000



LED 座 LED HOUSING

- MATERIAL: NYLON 66(UL)
- FLAME CLASS: 94V-2
- COLOR: BLACK

4-20-1



Built-In Clamp Function

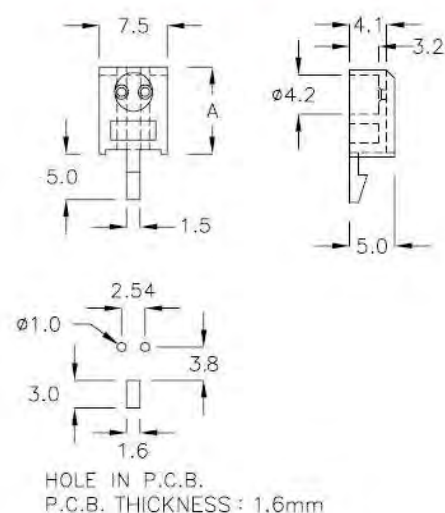
FOR $\phi 5$ 2PIN LED		
PART NO	A	PACKAGE
LEH5-4MT	4.5	500



LED 座 LED HOUSING

- MATERIAL: NYLON 66(UL)
- FLAME CLASS: 94V-2
- COLOR: BLACK

4-20-2



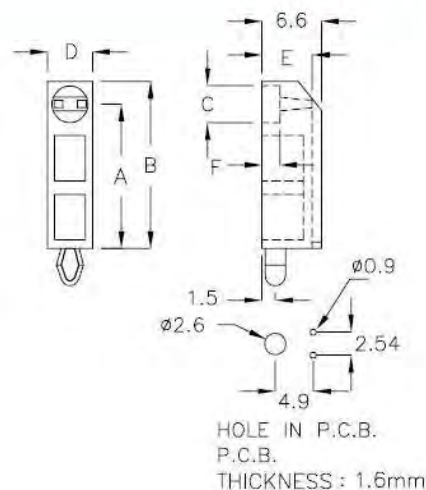
FOR $\phi 3$ 2PIN LED		
PART NO	A	PACKAGE
EDT-7A	9.5	1000



LED 座 LED HOUSING

- MATERIAL: NYLON 66(UL)
- FLAME CLASS: 94V-2
- COLOR: NATURAL

4-20-3



Built-In Clamp Function

FOR $\phi 3$ 2PIN LED							PACKAGE
PART NO	A	B	C	D	E	F	
LEM3-16	16.0	18.5	$\phi 4.1$	5.0	5.6	3.0	500
LEM4-16	16.0	18.6	$\phi 4.2$	5.1	5.7	2.0	



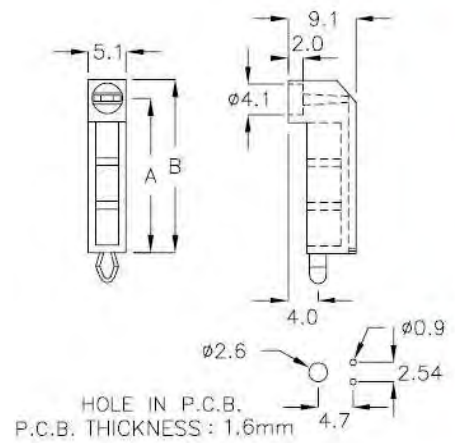
LED 座 LED HOUSING

- MATERIAL: NYLON 66(UL)
- FLAME CLASS: 94V-2
- COLOR: NATURAL

4-21-1

Built-In Clamp Function

FOR $\phi 3$ 2PIN LED			
PART NO	A	B	PACKAGE
LEM4-20A	20.5	23.0	500



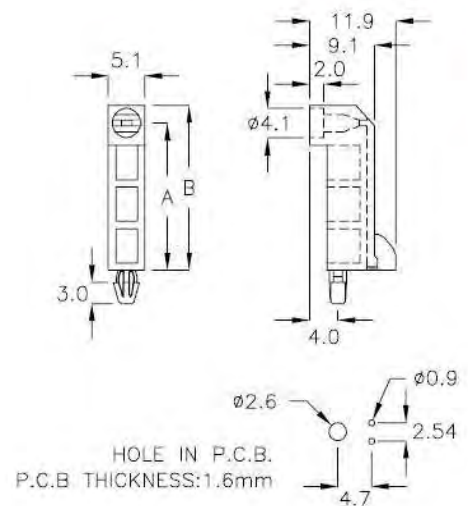
LED 座 LED HOUSING

- MATERIAL: NYLON 66(UL)
- FLAME CLASS: 94V-2
- COLOR: NATURAL

4-21-2

Built-In Clamp Function

FOR $\phi 3$ 2PIN LED			
PART NO	A	B	PACKAGE
EKC-20A	20.5	23.0	500



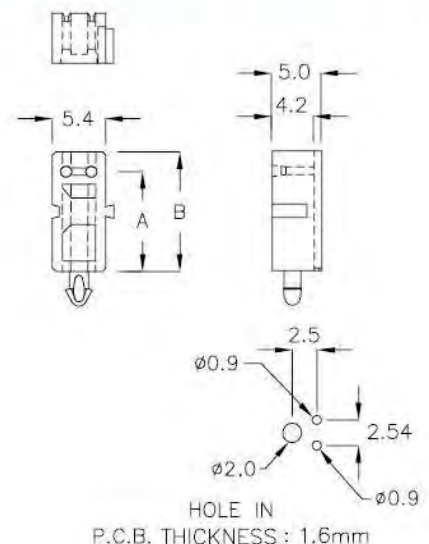
LED 座 LED HOUSING

- MATERIAL: NYLON 66(UL)
- FLAME CLASS: 94V-2
- COLOR: NATURAL

4-21-3

Built-In Clamp Function

FOR QUADRATE 2PIN LED			
PART NO	A	B	PACKAGE
EDW-10	10.0	12.0	1000

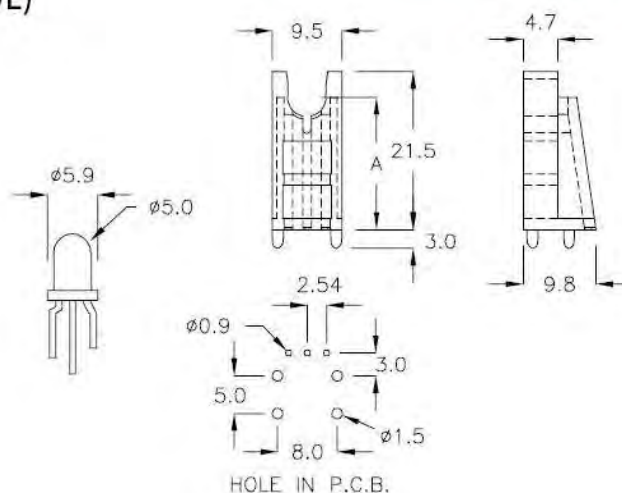




LED 座 LED HOUSING

4-22-1

- MATERIAL: NYLON 66(UL)
- FLAME CLASS: 94V-2
- COLOR: NATURAL



Built-In Clamp Function

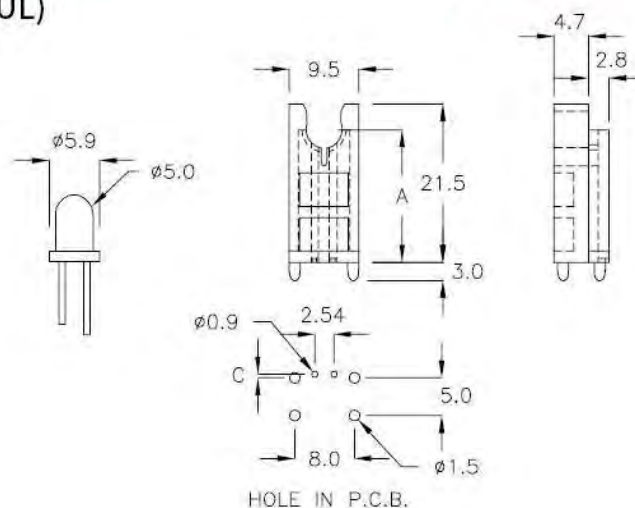
FOR $\phi 5$ 3PIN LED		
PART NO	A	PACKAGE
LEX-18T	18.0	500



LED 座 LED HOUSING

4-22-2

- MATERIAL: NYLON 66(UL)
- FLAME CLASS: 94V-2
- COLOR: NATURAL



Built-In Clamp Function

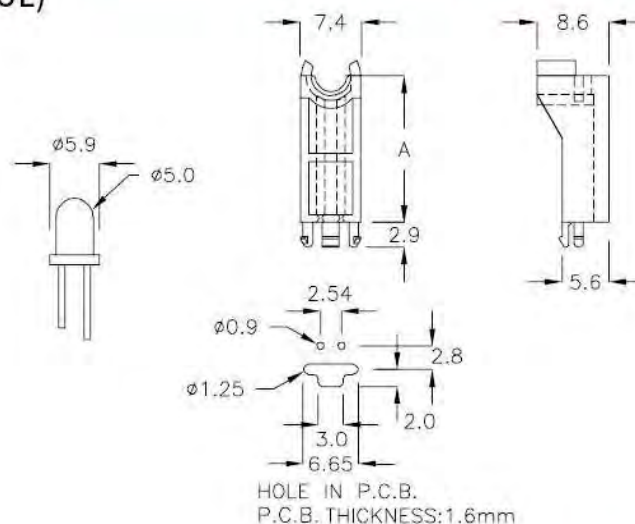
FOR $\phi 5$ 2PIN LED			
PART NO	A	C	PACKAGE
LEW-18T	18.0	0.5	500
LEI-18T	18.0	0.3	



LED 座 LED HOUSING

4-22-3

- MATERIAL: NYLON 66(UL)
- FLAME CLASS: 94V-2
- COLOR: BLACK



Built-In Clamp Function

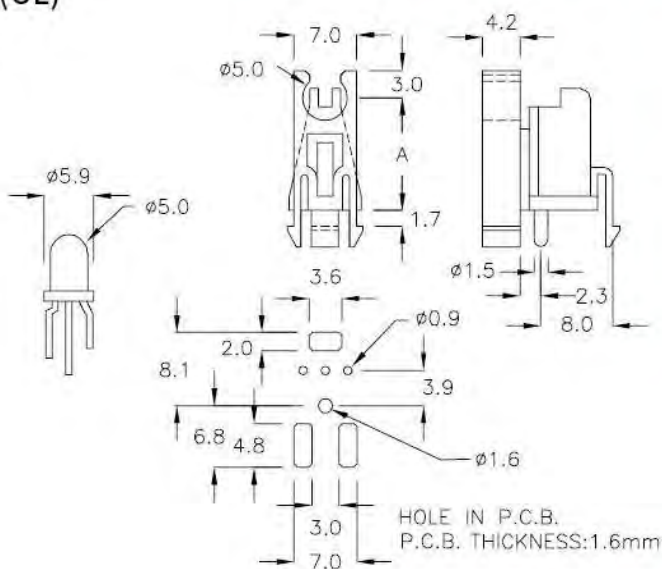
FOR $\phi 5$ 2PIN LED		
PART NO	A	PACKAGE
LJD-18	17.5	500



LED 座 LED HOUSING

4-23-1

- MATERIAL: NYLON 66(UL)
- FLAME CLASS: 94V-2
- COLOR: NATURAL



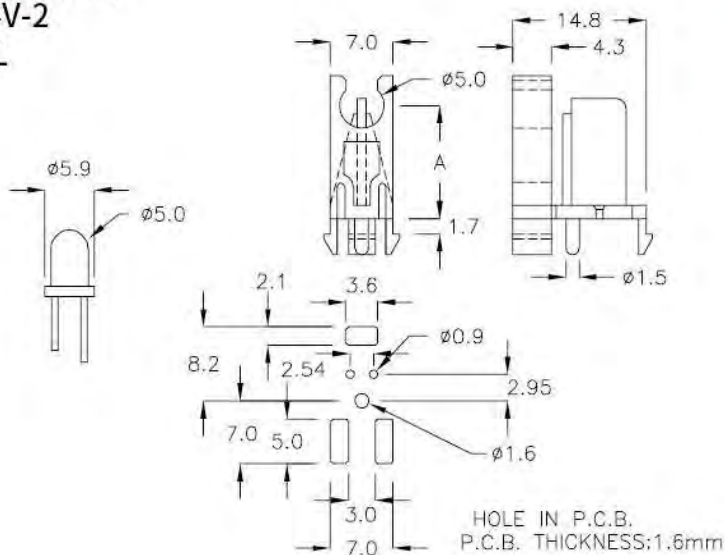
FOR $\phi 5$ 3PIN LED		
PART NO	A	PACKAGE
LED-5AT	12.5	500



LED 座 LED HOUSING

4-23-2

- MATERIAL: NYLON 66(UL)
- FLAME CLASS: 94V-2
- COLOR: NATURAL



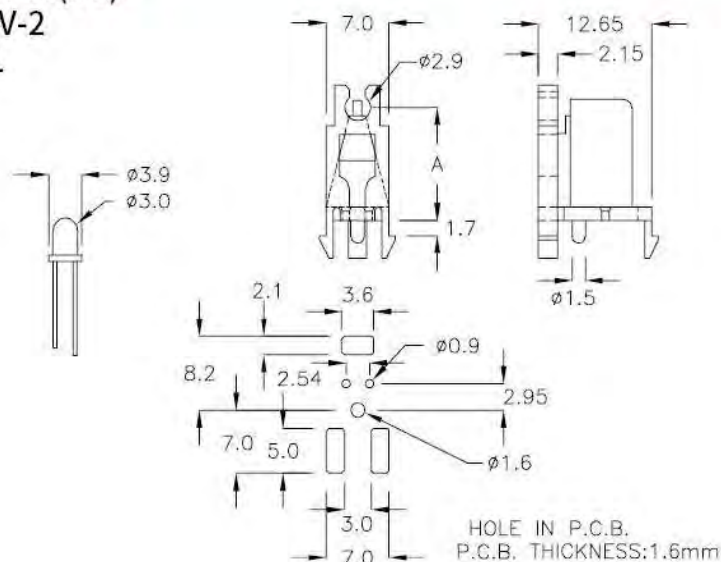
FOR $\phi 5$ 2PIN LED		
PART NO	A	PACKAGE
LED-5BT	12.5	500



LED 座 LED HOUSING

4-23-3

- MATERIAL: NYLON 66(UL)
- FLAME CLASS: 94V-2
- COLOR: NATURAL



FOR $\phi 3$ 2PIN LED		
PART NO	A	PACKAGE
LED-3BT	12.5	500



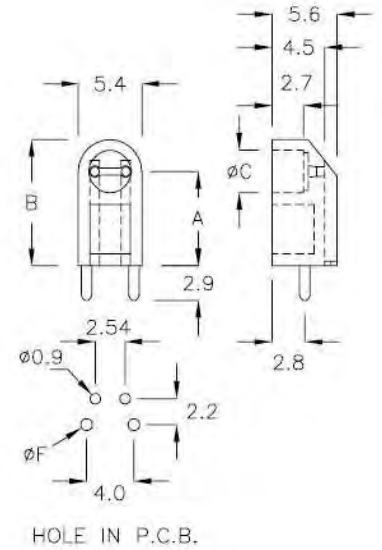
LED 座 LED HOUSING

- MATERIAL: NYLON 66(UL)
- FLAME CLASS: 94V-2
- COLOR: NATURAL

4-24-1

Built-In Clamp Function

FOR $\phi 3$ 2PIN LED					
PART NO	A	B	C	F	PACKAGE
LEG3-6A	6.5	9.2	$\phi 3.6$	1.1	1000
LEG3-8T	8.0	10.7	$\phi 3.6$	1.0	
LEG3-10F	10.6	13.3	$\phi 4.1$	1.0	500
LEG3-11C	11.6	14.3	$\phi 4.1$	1.0	2000



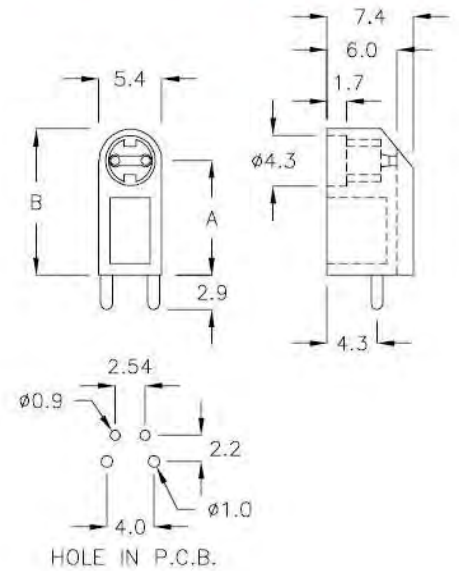
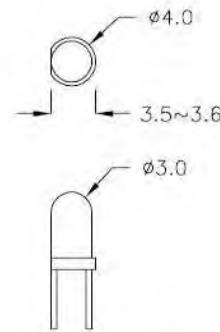
LED 座 LED HOUSING

- MATERIAL: NYLON 66(UL)
- FLAME CLASS: 94V-2
- COLOR: BLACK

4-24-2

Built-In Clamp Function

FOR $\phi 3$ 2PIN LED			
PART NO	A	B	PACKAGE
LEG3-9JQ	9.7	12.4	500



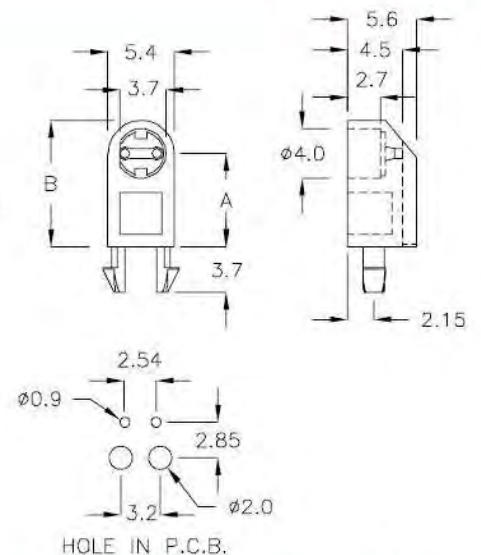
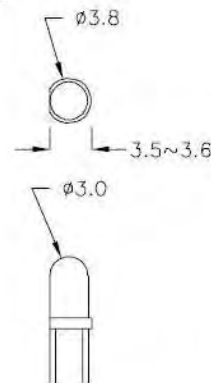
LED 座 LED HOUSING

- MATERIAL: NYLON 66(UL)
- FLAME CLASS: 94V-2
- COLOR: BLACK

4-24-3

Built-In Clamp Function

FOR $\phi 3$ 2PIN LED			
PART NO	A	B	PACKAGE
LEG3-7ML	7.5	10.2	1000

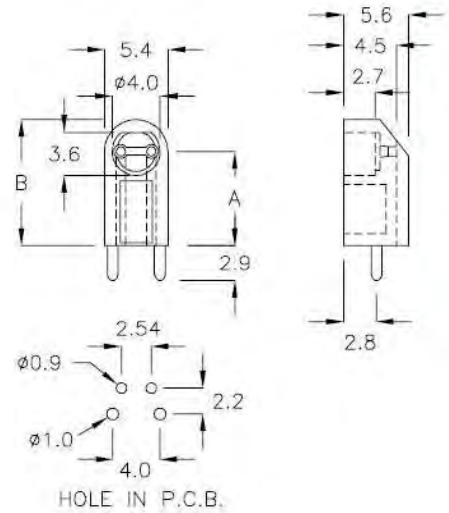
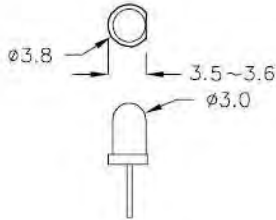




LED 座 LED HOUSING

4-25-1

- MATERIAL: NYLON 66(UL)
- FLAME CLASS: 94V-2
- COLOR: NATURAL, BLACK



Built-In Clamp Function

FOR $\phi 3$ 2PIN LED

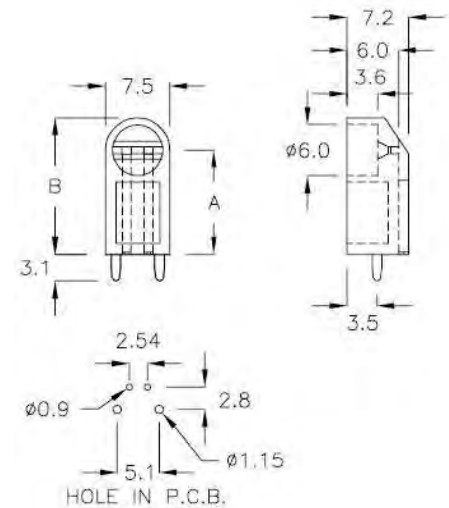
PART NO	A	B	PACKAGE
LEG3-10NQ	10.6	13.3	500



LED 座 LED HOUSING

4-25-2

- MATERIAL: NYLON 66(UL)
- FLAME CLASS: 94V-2
- COLOR: NATURAL



Built-In Clamp Function

FOR $\phi 5$ 2PIN LED

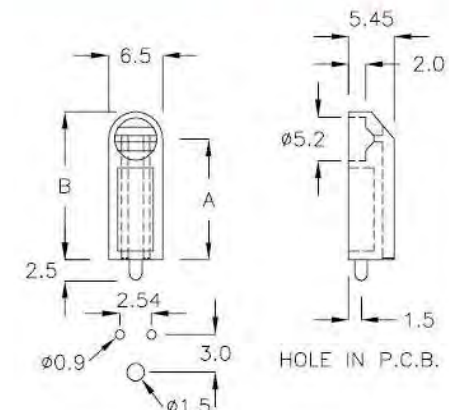
PART NO	A	B	PACKAGE
EDJ-12	12.0	15.8	500



LED 座 LED HOUSING

4-25-3

- MATERIAL: NYLON 66(UL)
- FLAME CLASS: 94V-2
- COLOR: NATURAL



Built-In Clamp Function

FOR $\phi 5$ 2PIN LED

PART NO	A	B	PACKAGE
EEM-14A	14.5	17.75	500



LED 座 LED HOUSING

- MATERIAL: NYLON 66(UL)
- FLAME CLASS: 94V-2
- COLOR: NATURAL

Built-In Clamp Function

FOR $\phi 5$ 2PIN LED			
PART NO	A	PACKAGE	
EEH-9A	10.0	2000	



LED 座 LED HOUSING

- MATERIAL: NYLON 66(UL)
- FLAME CLASS: 94V-2
- COLOR: BLACK

FOR $\phi 5$ 2PIN LED			
PART NO	A	B	PACKAGE
LEH5-19K	19.0	21.7	1000



LED 座 LED HOUSING

- MATERIAL: NYLON 66(UL)
- FLAME CLASS: 94V-2
- COLOR: BLACK

FOR $\phi 3$ 2PIN LED			
PART NO	A	B	PACKAGE
EEC-03	3.05	5.6	1000



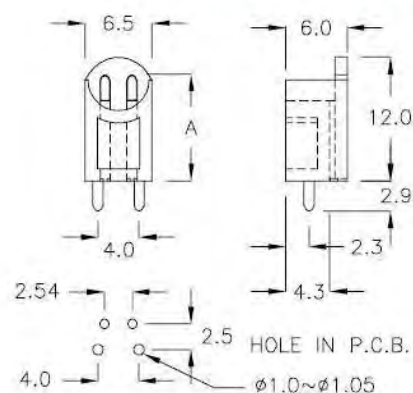
LED 座 LED HOUSING

- MATERIAL: NYLON 66(UL)
- FLAME CLASS: 94V-2
- COLOR: BLACK

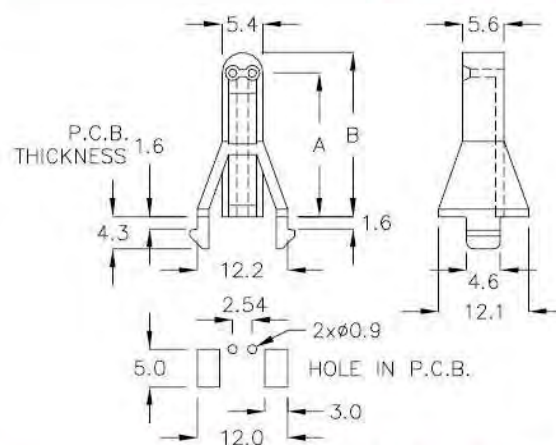
Built-In Clamp Function

FOR $\phi 3$ 2PIN LED				
PART NO	A	B	C	PACKAGE
EEK-6A	6.1	9.1	5.2	1000

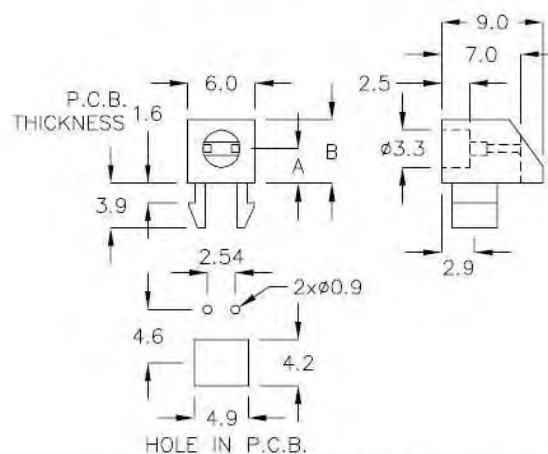
4-26-1



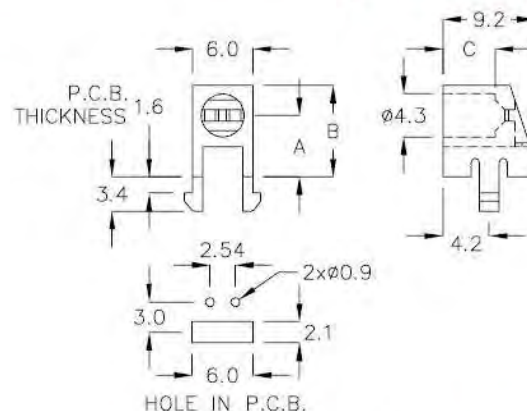
4-26-2



4-26-3



4-26-4





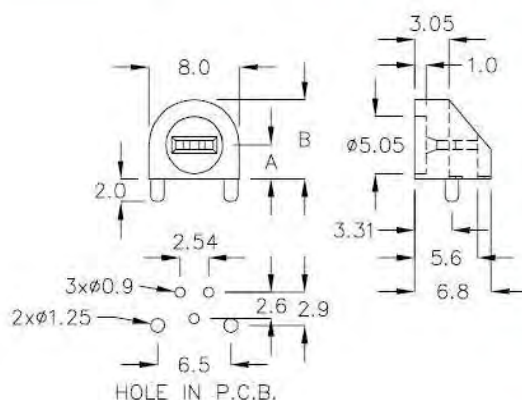
LED 座 LED HOUSING

4-27-1

- MATERIAL: NYLON 66(UL)
- FLAME CLASS: 94V-2
- COLOR: NATURAL

Built-In Clamp Function

FOR $\phi 5$ 3PIN LED			
PART NO	A	B	PACKAGE
EDL-03	3.0	7.0	1000



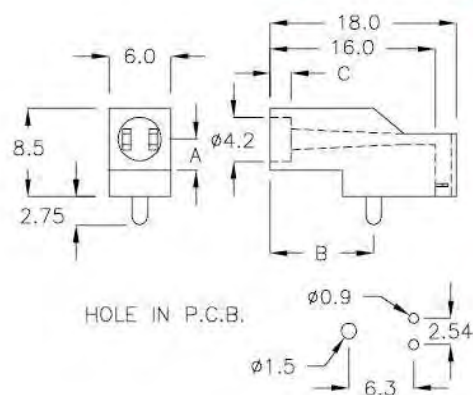
LED 座 LED HOUSING

4-27-2

- MATERIAL: NYLON 66(UL)
- FLAME CLASS: 94V-2
- COLOR: BLACK

Built-In Clamp Function

FOR $\phi 3$ 2PIN LED				
PART NO	A	B	C	PACKAGE
EKN-05A	3.0	10.0	2.0	500



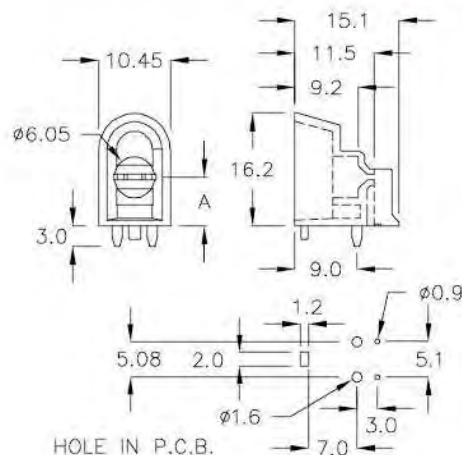
LED 座 LED HOUSING

4-27-3

- MATERIAL: NYLON 66(UL)
- FLAME CLASS: 94V-2
- COLOR: BLACK

Built-In Clamp Function

FOR $\phi 5$ 2PIN LED		
PART NO	A	PACKAGE
QQR-7A	7.0	500



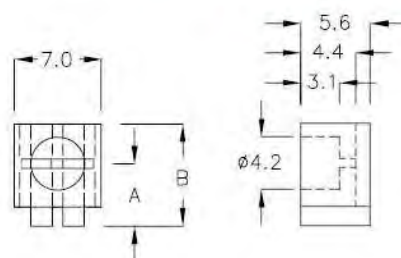
LED 座 LED HOUSING

4-27-4

- MATERIAL: NYLON 66(UL)
- FLAME CLASS: 94V-2
- COLOR: BLACK

Built-In Clamp Function

FOR $\phi 3$ 3PIN LED			
PART NO	A	B	PACKAGE
EDC-05	5.0	8.2	1000

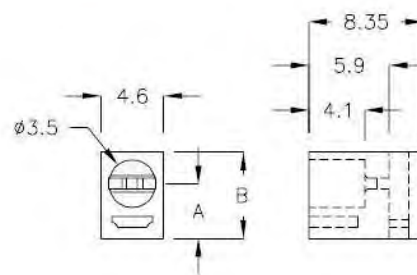




LED 座 LED HOUSING

- MATERIAL: NYLON 66(UL)
- FLAME CLASS: 94V-2
- COLOR: BLACK

FOR $\phi 3$ 2PIN LED			
PART NO	A	B	PACKAGE
EKT-4C	4.0	6.3	2000



4-28-1

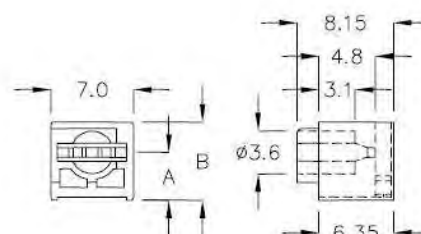


LED 座 LED HOUSING

- MATERIAL: NYLON 66(UL)
- FLAME CLASS: 94V-2
- COLOR: BLACK

Built-In Clamp Function

FOR $\phi 3$ 3PIN LED			
PART NO	A	B	PACKAGE
EKB-04	4.0	6.6	1000



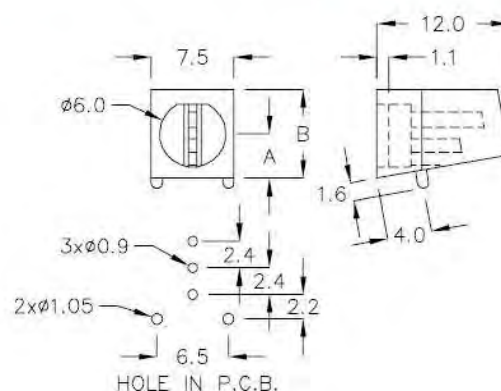
4-28-2



LED 座 LED HOUSING

- MATERIAL: NYLON 66(UL)
- FLAME CLASS: 94V-2
- COLOR: BLACK

FOR $\phi 5$ 3PIN LED			
PART NO	A	B	PACKAGE
LER-4	4.0	8.0	1000



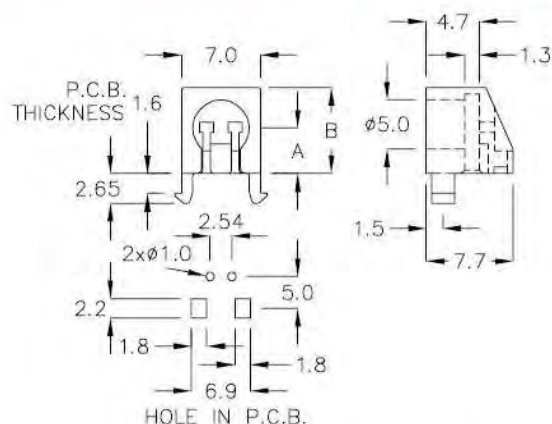
4-28-3



LED 座 LED HOUSING

- MATERIAL: NYLON 66(UL)
- FLAME CLASS: 94V-0
- COLOR: BLACK

FOR $\phi 5$ 2PIN LED			
PART NO	A	B	PACKAGE
LEKC-5A	4.0	7.6	500



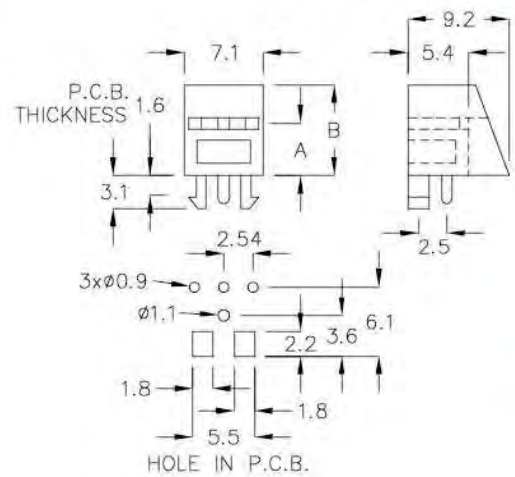
4-28-4



LED 座 LED HOUSING

- MATERIAL: NYLON 66(UL)
- FLAME CLASS: 94V-2
- COLOR: BLACK

FOR $\phi 5$ 3PIN LED			
PART NO	A	B	PACKAGE
LEK5-5TX	4.6	8.1	500



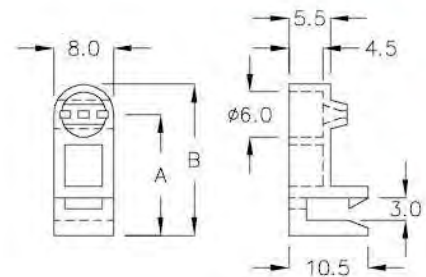
4-29-1



LED 座 LED HOUSING

- MATERIAL: NYLON 66(UL)
- FLAME CLASS: 94V-2
- COLOR: NATURAL

FOR $\phi 5$ 3PIN LED			
PART NO	A	B	PACKAGE
EDA-11	16.0	20.0	500



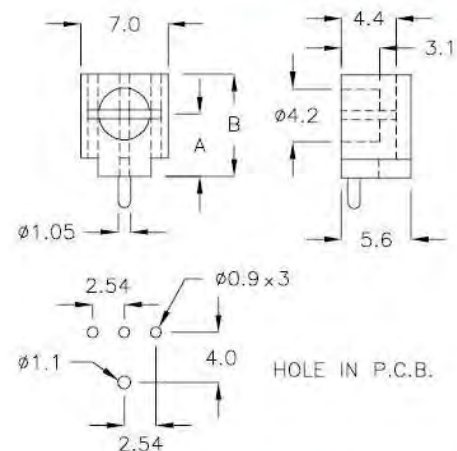
4-29-2



LED 座 LED HOUSING

- MATERIAL: NYLON 66(UL)
- FLAME CLASS: 94V-2
- COLOR: NATURAL

FOR $\phi 3$ 3PIN LED			
PART NO	A	B	PACKAGE
EDM-05	5.0	8.2	1000



4-29-3

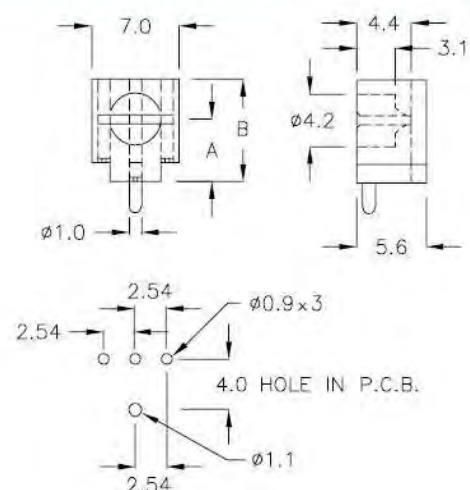


LED 座 LED HOUSING

- MATERIAL: NYLON 66(UL)
- FLAME CLASS: 94V-2
- COLOR: BLACK

Built-In Clamp Function

FOR $\phi 3$ 3PIN LED			
PART NO	A	B	PACKAGE
EDM-5C	5.0	8.2	1000



4-29-4



LED 座 LED HOUSING

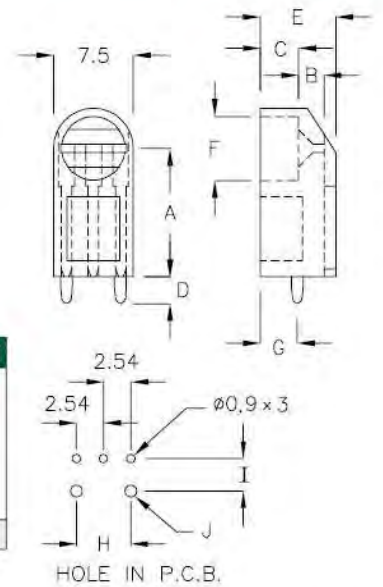
- MATERIAL: NYLON 66(UL)
- FLAME CLASS: 94V-2
- COLOR: NATURAL

4-30-1

Built-In Clamp Function

FOR $\phi 5$ 3PIN LED						
PART NO	A	B	C	D	E	F
LEE-12	12.0	2.5	3.6	3.1	7.1	$\phi 6.0$
LEK2-10T	9.5	2.0	4.0	3.0	7.1	$\phi 6.1$
LEK2-12T	12.0	2.5	3.6	2.5	7.1	$\phi 6.0$
LEK2-13T	13.5	2.1	3.9	2.5	7.1	$\phi 6.0$
LEK2-18T	17.5	2.4	3.6	3.0	7.0	$\phi 6.0$
LEK4-4T	4.0	4.6	1.0	3.0	6.8	$\phi 6.2$

PART NO	G	H	I	J	PACKAGE
LEE-12	3.5	5.08	3.0	$\phi 1.2$	500
LEK2-10T	3.5	5.08	3.0	$\phi 1.2$	
LEK2-12T	3.5	5.08	3.0	$\phi 1.2$	
LEK2-13T	3.8	6.5	2.7	$\phi 1.05$	
LEK2-18T	3.5	5.08	3.0	$\phi 1.2$	
LEK4-4T	3.8	6.5	2.5	$\phi 1.05$	1000



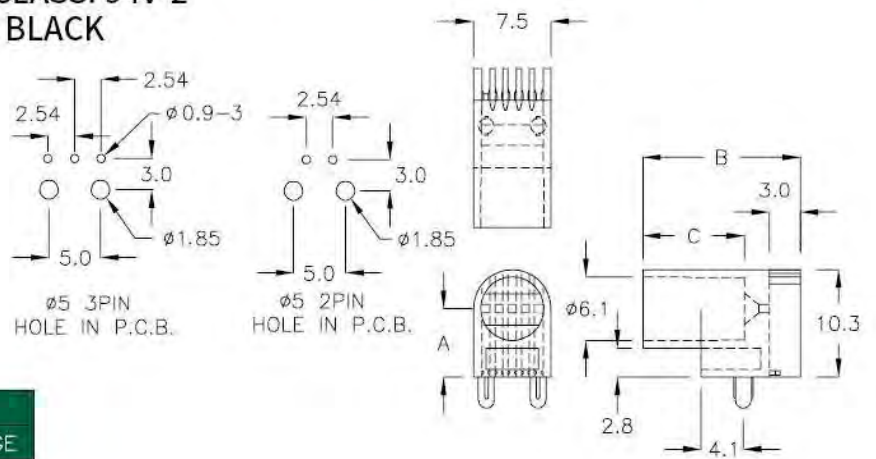
LED 座 LED HOUSING

- MATERIAL: NYLON 66(UL)
- FLAME CLASS: 94V-2
- COLOR: BLACK

4-30-2

Built-In Clamp Function

FOR $\phi 5$ 2PIN & $\phi 5$ 3PIN LED				
PART NO	A	B	C	PACKAGE
QLT-6A	6.55	14.0	8.6	500
QLT-6C	6.55	14.0	6.1	



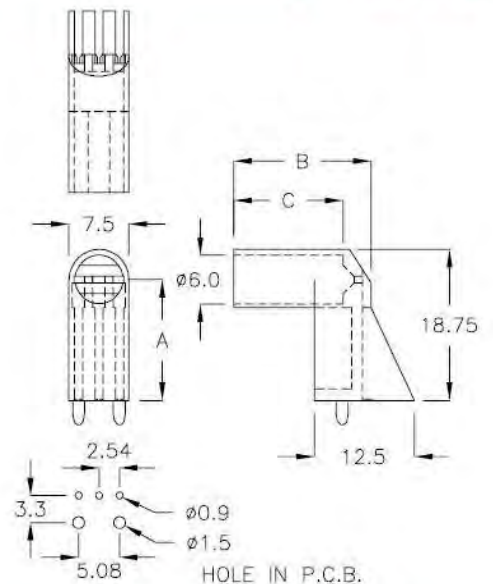
LED 座 LED HOUSING

- MATERIAL: NYLON 66(UL)
- FLAME CLASS: 94V-2
- COLOR: BLACK

4-30-3

Built-In Clamp Function

FOR $\phi 5$ 3PIN LED LAMP				
PART NO	A	B	C	PACKAGE
QLU-15	15.0	17.1	13.6	500

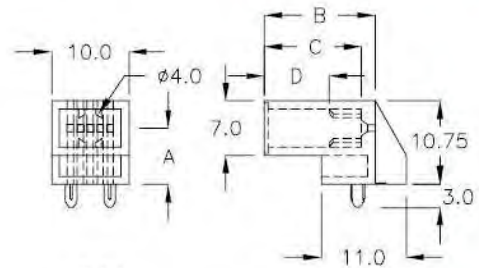




LED 座 LED HOUSING

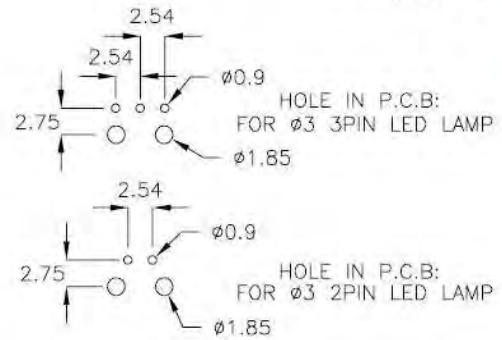
- MATERIAL: NYLON 66(UL)
- FLAME CLASS: 94V-2
- COLOR: BLACK

4-31-1



Built-In Clamp Function

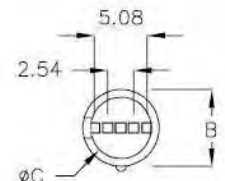
FOR $\phi 3$ 3PIN, 2PIN LED LAMP					
PART NO	A	B	C	D	PACKAGE
QBT-7A	7.25	14.4	12.6	8.4	500
QBT-7C	7.25	14.4	7.6	3.4	
QBT-7D	7.25	14.4	6.6	2.4	
QBT-7F	7.25	8.4	6.6	2.4	
QBT-7K	7.25	13.4	11.6	7.4	



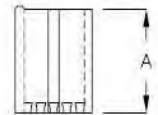
LED 座 LED HOUSING

- MATERIAL: NYLON 66(UL)
- FLAME CLASS: 94V-2
- COLOR: BLACK

4-31-2



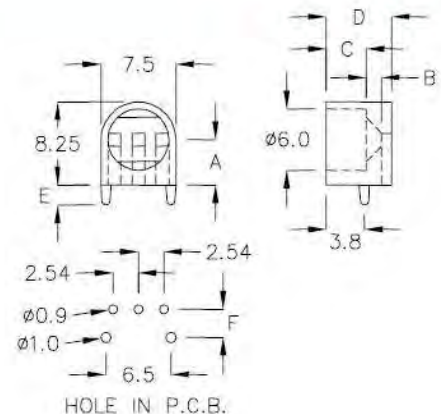
FOR $\phi 5$ 3PIN, 2PIN LED				
PART NO	A	B	C	PACKAGE
LEA-01	10.0	$\phi 7.4$	$\phi 6.0$	2000



LED 座 LED HOUSING

- MATERIAL: NYLON 66(UL)
- FLAME CLASS: 94V-2
- COLOR: BLACK

4-31-3



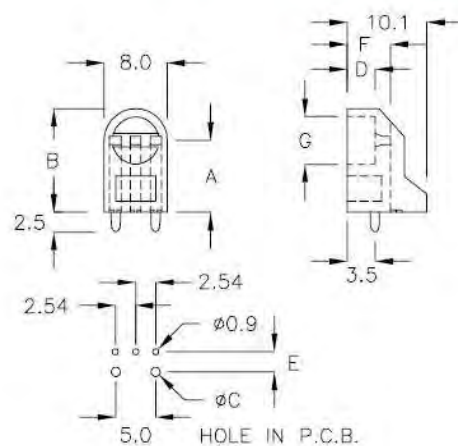
FOR $\phi 5$ 3PIN LED							
PART NO	A	B	C	D	E	F	PACKAGE
LEK2-4.5T	4.5	2.1	4.0	7.1	3.2	2.8	1000
LEK4-4.5T	4.5	4.5	1.0	6.5	2.0	2.0	



LED 座 LED HOUSING

- MATERIAL: NYLON 66(UL)
- FLAME CLASS: 94V-2
- COLOR: NATURAL

4-32-1



Built-In Clamp Function

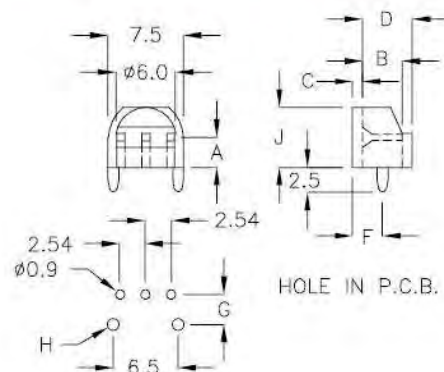
FOR $\phi 5$ 3PIN LED								
PART NO	A	B	C	D	E	F	G	PACKAGE
LEU-06	6.0	10.0	$\phi 1.0$	4.3	2.6	6.0	$\phi 6.2$	500
LEU-09	9.0	13.0	$\phi 1.2$	3.5	2.5	5.5	$\phi 6.0$	
LEU-10	10.0	14.0	$\phi 1.0$	4.0	2.6	5.5	$\phi 6.0$	



LED 座 LED HOUSING

- MATERIAL: NYLON 66(UL)
- FLAME CLASS: 94V-2
- COLOR: NATURAL, BLACK

4-32-2



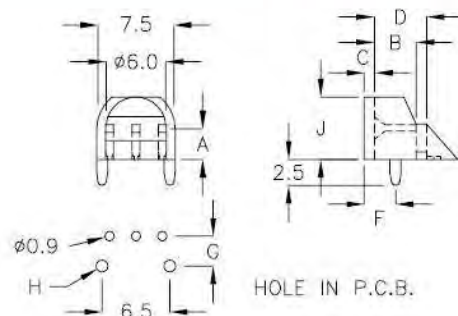
FOR $\phi 5$ 3PIN LED									
PART NO	A	B	C	D	F	G	H	J	PACKAGE
LEK4-3T	3.0	4.0	1.0	5.0	3.0	3.0	$\phi 1.2$	6.0	1000
LEY-03	3.5	4.0	1.0	5.0	3.0	2.7	$\phi 1.2$	6.5	



LED 座 LED HOUSING

- MATERIAL: NYLON 66(UL)
- FLAME CLASS: 94V-2
- COLOR: NATURAL, BLACK

4-32-3



Built-In Clamp Function

FOR $\phi 5$ 3PIN LED									
PART NO	A	B	C	D	F	G	H	J	PACKAGE
LEK4-3TW	3.0	4.0	1.0	5.0	3.0	3.0	$\phi 1.2$	6.0	1000



LED 座 LED HOUSING

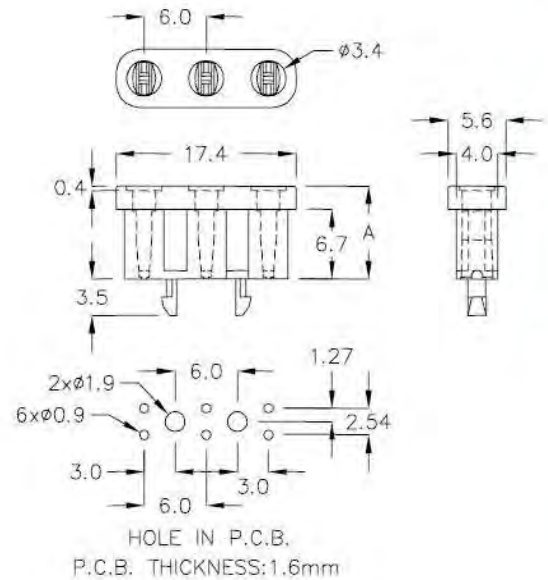
4-73-1

- MATERIAL: NYLON 66(UL)
- FLAME CLASS: 94V-2
- COLOR: NATURAL

Built-In Clamp Function

FOR $\phi 3$ 2PIN LED

PART NO	A	PACKAGE
3LED-3M	8.9	500



LED 座 LED HOUSING

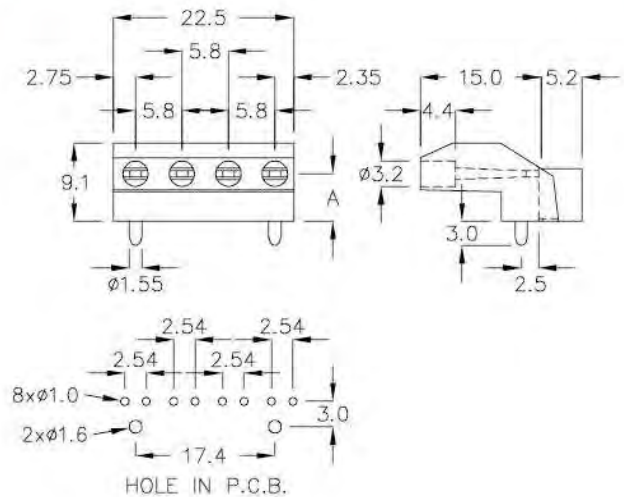
4-73-2

- MATERIAL: NYLON 66(UL)
- FLAME CLASS: 94V-2
- COLOR: BLACK

Built-In Clamp Function

FOR $\phi 3$ 2PIN LED

PART NO	A	PACKAGE
4LEL-6	5.6	200



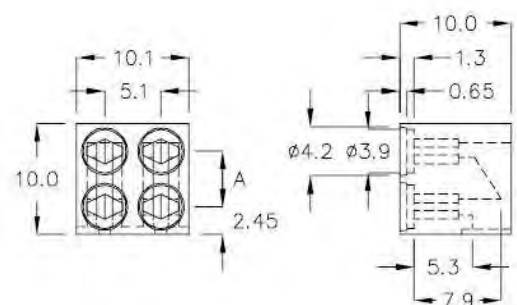
LED 座 LED HOUSING

4-73-3

- MATERIAL: NYLON 66(UL)
- FLAME CLASS: 94V-2
- COLOR: BLACK

FOR $\phi 3$ 2PIN LED

PART NO	A	PACKAGE
4LED-3	5.0	500



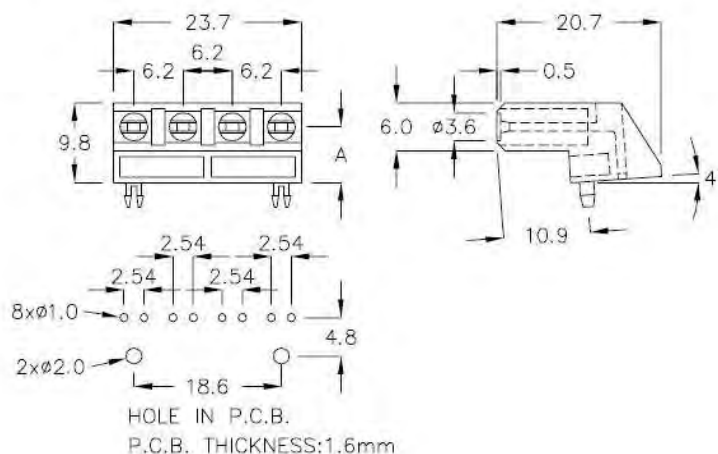


Built-In Clamp Function

FOR $\phi 3$ 2PIN LED		
PART NO	E	PACKAGE
4LEL-6A	7.0	200

LED 座 LED HOUSING**4-74-1**

- MATERIAL: NYLON 66(UL)
- FLAME CLASS: 94V-2
- COLOR: BLACK

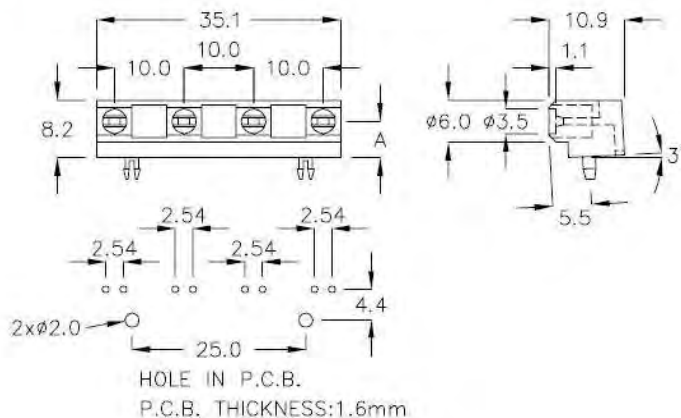


Built-In Clamp Function

FOR $\phi 3$ 2PIN LED		
PART NO	A	PACKAGE
4LEL-6C	5.25	200

LED 座 LED HOUSING**4-74-2**

- MATERIAL: NYLON 66(UL)
- FLAME CLASS: 94V-2
- COLOR: BLACK

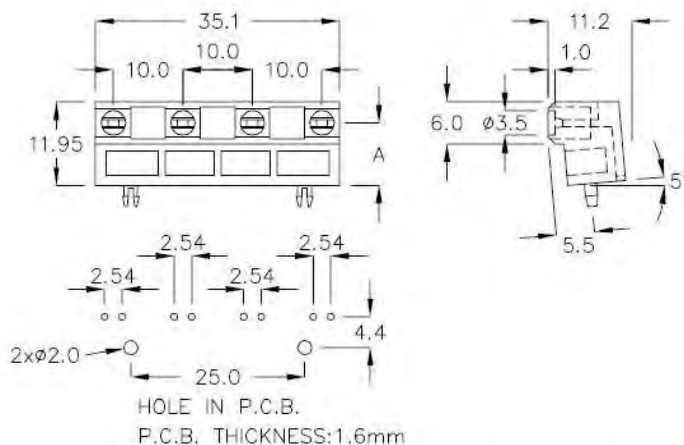


Built-In Clamp Function

FOR $\phi 3$ 2PIN LED		
PART NO	A	PACKAGE
4LEL-6D	9.0	200

LED 座 LED HOUSING**4-74-3**

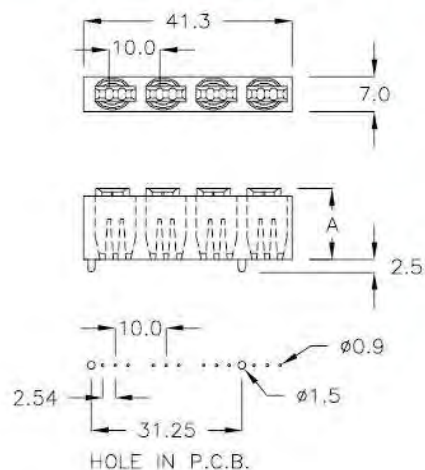
- MATERIAL: NYLON 66(UL)
- FLAME CLASS: 94V-2
- COLOR: BLACK





LED 座 LED HOUSING 4-75-1

- MATERIAL: NYLON 66(UL)+30%FRP
- FLAME CLASS: 94V-0
- COLOR: BLACK

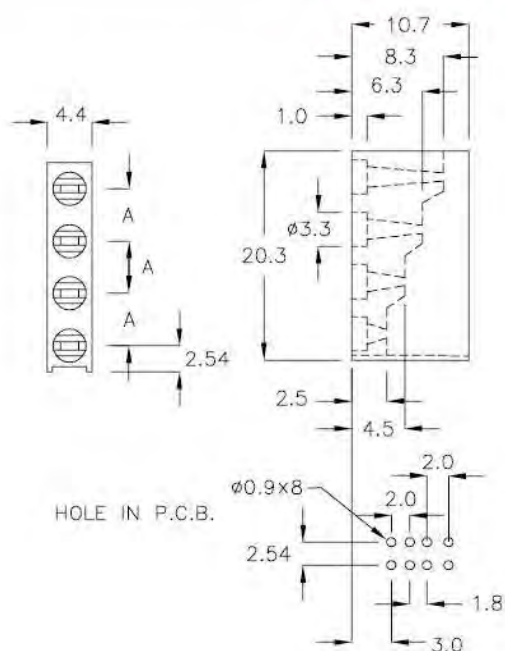


FOR $\phi 5$ 2PIN LED			
FOR $\phi 5$ 3PIN LED			
PART NO	A	PACKAGE	
4LED-1A	14.0	500	



LED 座 LED HOUSING 4-75-2

- MATERIAL: NYLON 66(UL)
- FLAME CLASS: 94V-2
- COLOR: BLACK

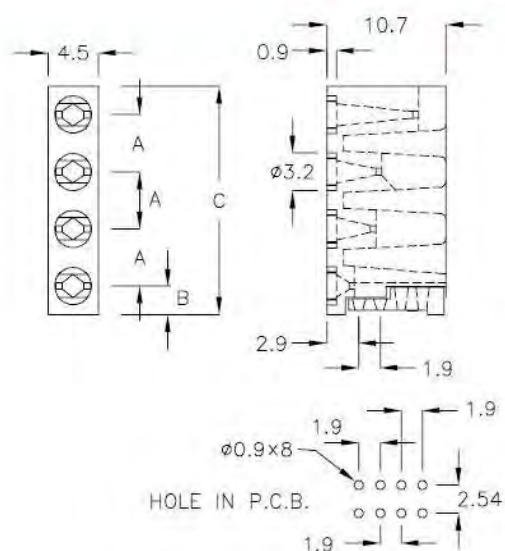


FOR $\phi 3$ 2PIN LED			
PART NO	A	PACKAGE	
4LED-3C	5.08	500	



LED 座 LED HOUSING 4-75-3

- MATERIAL: NYLON 66(UL)
- FLAME CLASS: 94V-2
- COLOR: BLACK



FOR $\phi 3$ 2PIN LED				
PART NO	A	B	C	PACKAGE
4LED-3D	5.1	2.54	20.3	500
4LED-3K	5.1	4.75	22.5	

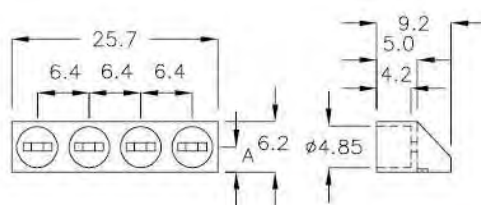


LED 座 LED HOUSING

- MATERIAL: NYLON 66(UL)
- FLAME CLASS: 94V-2
- COLOR: BLACK

Built-In Clamp Function

FOR $\phi 5$ 2PIN LED		
PART NO	A	PACKAGE
4LED-5	3.1	500

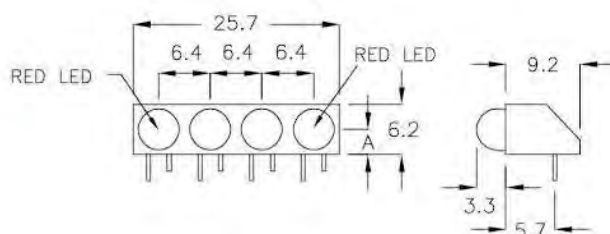
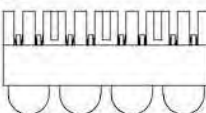


LED 座 LED HOUSING

- MATERIAL: NYLON 66(UL)+RED LED
- FLAME CLASS: 94V-2
- COLOR: BLACK

Built-In Clamp Function

FOR $\phi 5$ 2PIN LED		
PART NO	A	PACKAGE
4LED-5-R	3.1	500

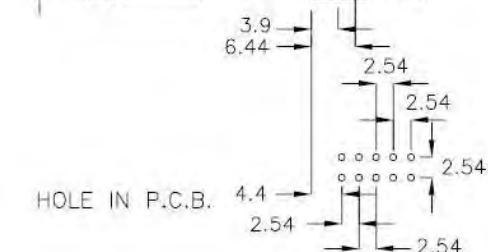
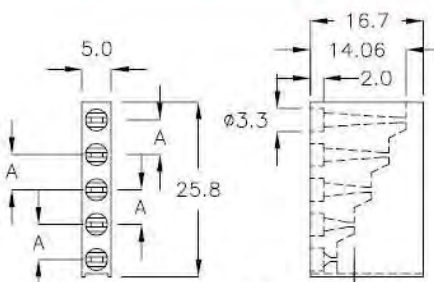


LED 座 LED HOUSING

- MATERIAL: NYLON 66(UL)
- FLAME CLASS: 94V-2
- COLOR: BLACK

Built-In Clamp Function

FOR $\phi 3$ 2PIN LED		
PART NO	A	PACKAGE
5LED-3	5.08	500

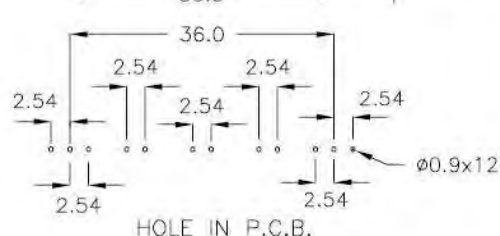
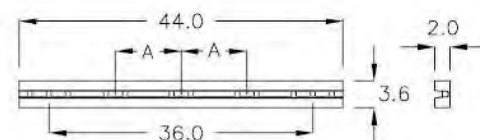


LED 座 LED HOUSING

- MATERIAL: NYLON 66(UL)
- FLAME CLASS: 94V-2
- COLOR: BLACK

Built-In Clamp Function

FOR $\phi 5$ 2PIN LED x3 FOR $\phi 5$ 3PIN LED x2		
PART NO	A	PACKAGE
QLD-44	9.0	1000





LED 座 LED HOUSING

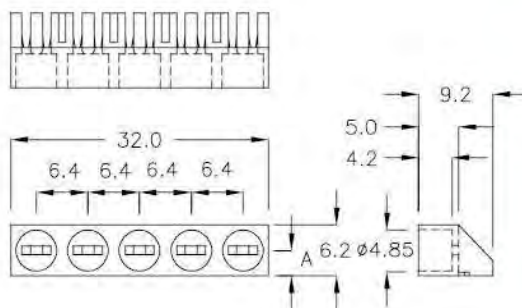
4-77-1

- MATERIAL: NYLON 66(UL)
- FLAME CLASS: 94V-2
- COLOR: BLACK

Built-In Clamp Function

FOR $\phi 5$ 2PIN LED

PART NO	A	PACKAGE
5LED-5	3.1	500



LED 座 LED HOUSING

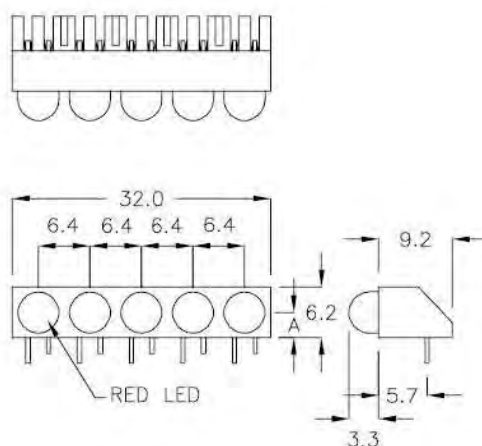
4-77-2

- MATERIAL: NYLON 66(UL)+RED LED
- FLAME CLASS: 94V-2
- COLOR: BLACK

Built-In Clamp Function

FOR $\phi 5$ 2PIN LED

PART NO	A	PACKAGE
5LED-5-R	3.1	500



LED 座 LED HOUSING

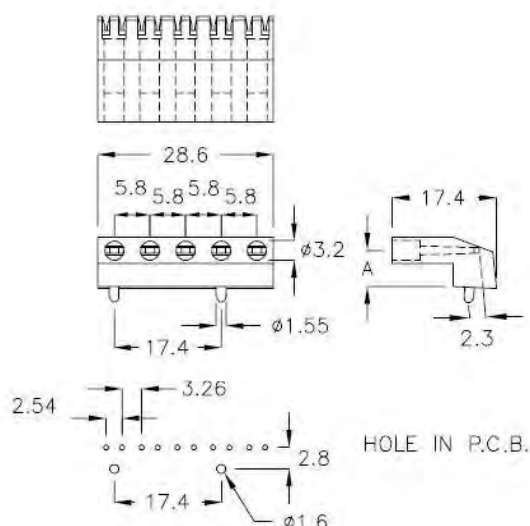
4-77-3

- MATERIAL: NYLON 66(UL)
- FLAME CLASS: 94V-2
- COLOR: BLACK

Built-In Clamp Function

FOR $\phi 3$ 2PIN LED

PART NO	A	PACKAGE
5LEL-6	5.8	200

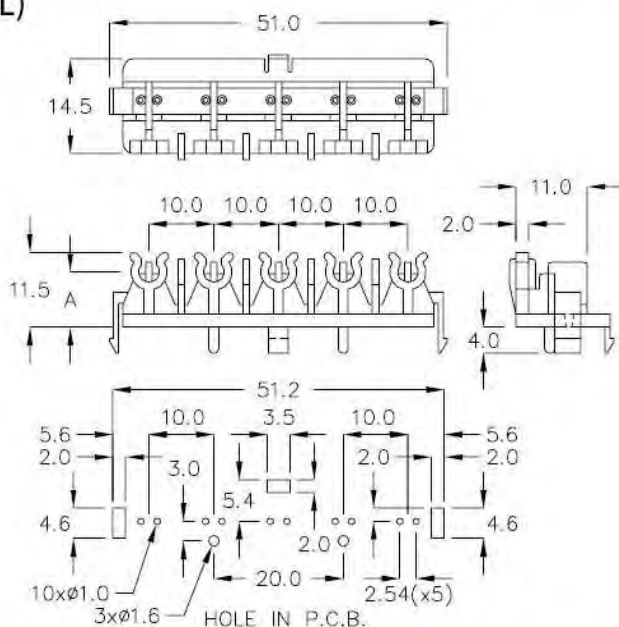


FOR $\phi 3$ 2PIN LED

PART NO	A	PACKAGE
5LED-3AT	8.5	200

LED 座 LED HOUSING

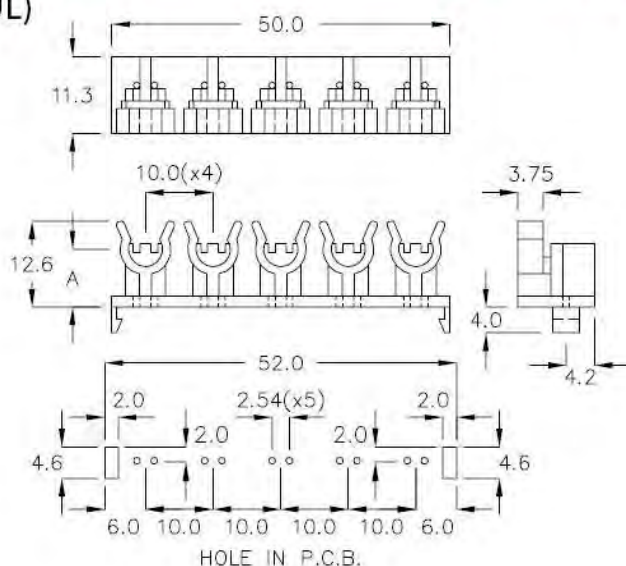
- MATERIAL: NYLON 66(UL)
- FLAME CLASS: 94V-2
- COLOR: BLACK

**4-78-1**FOR $\phi 5$ 2PIN LED

PART NO	A	PACKAGE
5LED-5BT	8.5	200

LED 座 LED HOUSING

- MATERIAL: NYLON 66(UL)
- FLAME CLASS: 94V-2
- COLOR: BLACK

**4-78-2**

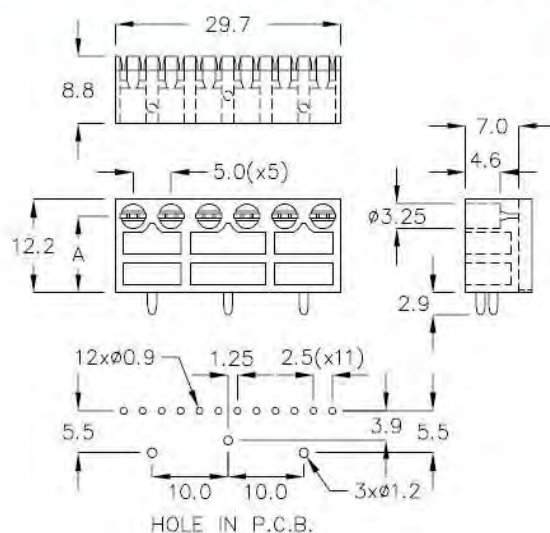
Built-In Clamp Function

FOR $\phi 3$ 2PIN LED

PART NO	A	PACKAGE
6LED-3A	10.0	200

LED 座 LED HOUSING

- MATERIAL: NYLON 66(UL)
- FLAME CLASS: 94V-2
- COLOR: BLACK

**4-78-3**



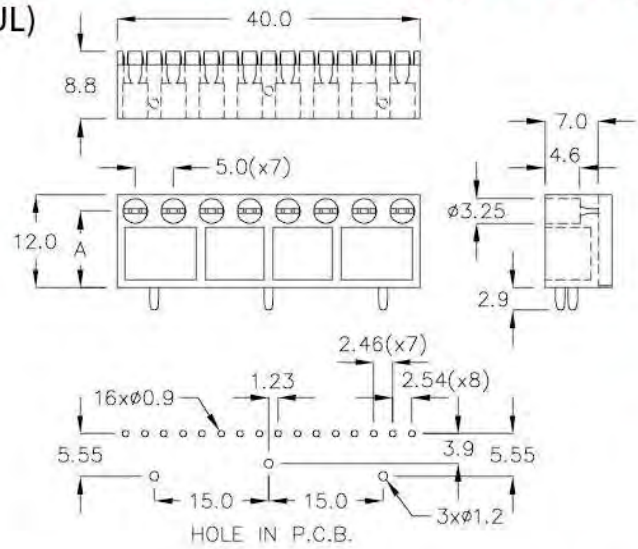
LED 座 LED HOUSING

4-79-1

- MATERIAL: NYLON 66(UL)
- FLAME CLASS: 94V-2
- COLOR: BLACK

Built-In Clamp Function

FOR $\phi 3$ 2PIN LED		
PART NO	A	PACKAGE
8LED-3	10.0	200

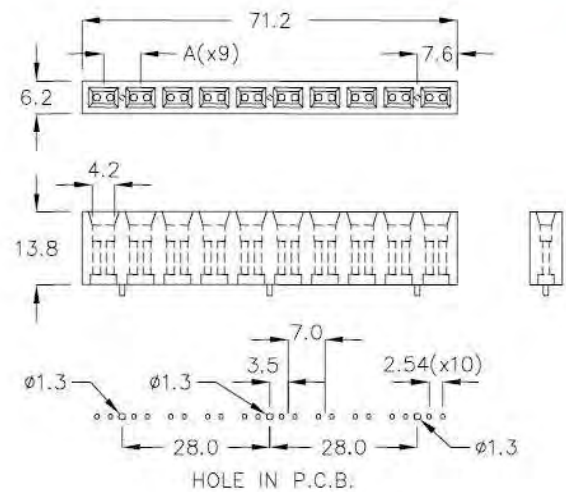


LED 座 LED HOUSING

4-79-2

- MATERIAL: NYLON 66(UL)
- FLAME CLASS: 94V-2
- COLOR: BLACK

FOR QUADRATE 2PIN LED		
PART NO	A	PACKAGE
10LED-1	7.0	200

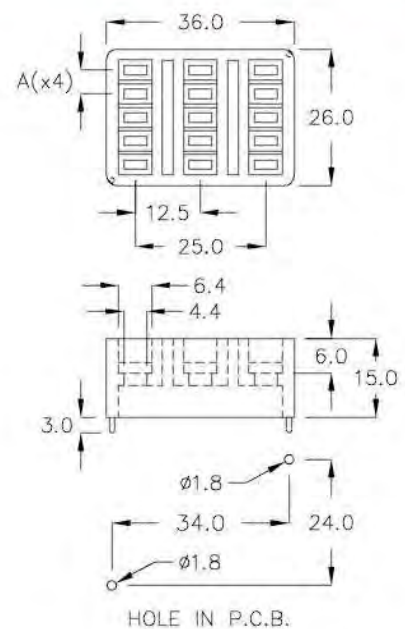


LED 座 LED HOUSING

4-79-3

- MATERIAL: NYLON 66(UL)
- FLAME CLASS: 94V-2
- COLOR: BLACK

FOR QUADRATE 2PIN LED		
PART NO	A	PACKAGE
15LED-1	4.5	100



28 horizontal lines for writing.

扣具, 鉚釘

FASTENER, SNAP RIVET



風扇鉚釘

FAN SNAP RIVET



螺絲, 螺帽

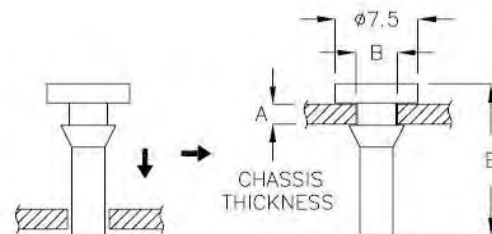
SCREW, SCREW NUT



緩衝墊片 SILICONE BUMPER

5-2-1

- MATERIAL: SILICONE
- COLOR: BLACK



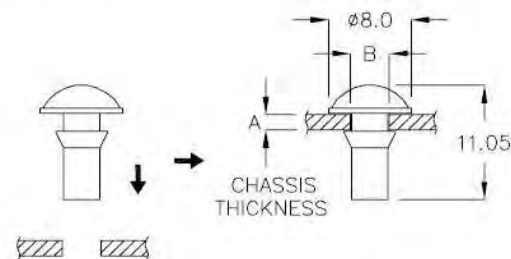
PART NO	A CHASSIS THICKNESS	B HOLE IN CHASSIS	E	PACKAGE
SRJ-3NS	2.3	∅3.5	13.7	2000
SRJ-3TG	4.8~5.0	∅3.5	16.2	



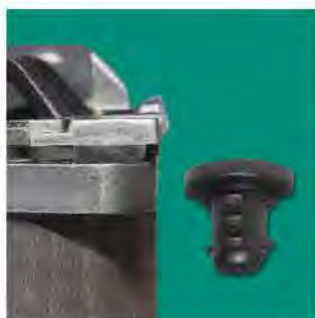
緩衝墊片 SILICONE BUMPER

5-2-2

- MATERIAL: SILICONE
- COLOR: BLACK



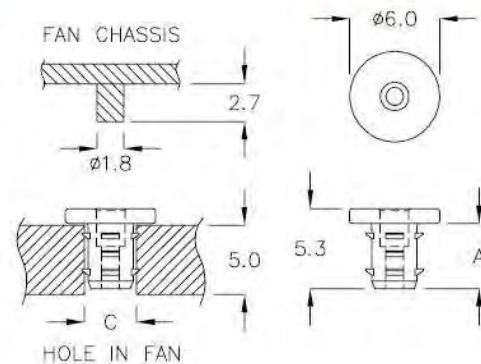
PART NO	A CHASSIS THICKNESS	B HOLE IN CHASSIS	PACKAGE
SRF-3A	1.9	∅3.5	2000



風扇鉚釘 FAN SNAP RIVET

5-2-3

- MATERIAL: TPE
- COLOR: BLACK



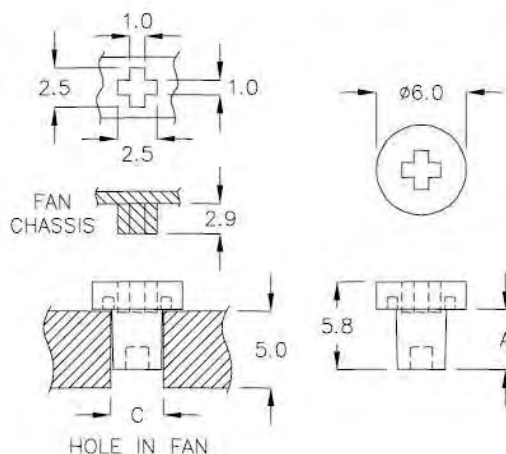
PART NO	A	C HOLE IN FAN	PACKAGE
SRQB-5A	4.3	∅3.5	2000



風扇鉚釘 FAN SNAP RIVET

5-3-1

- MATERIAL: TPE
- COLOR: BLACK



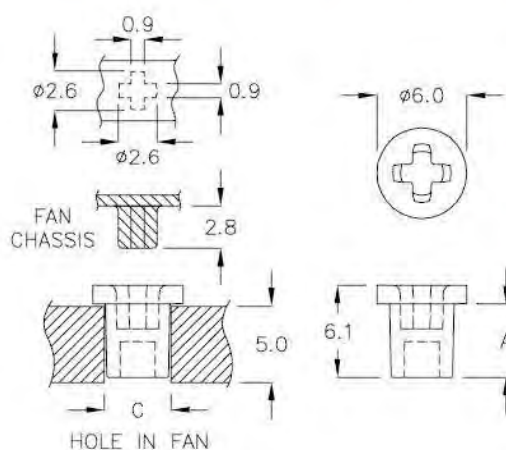
PART NO	A	C HOLE IN FAN	PACKAGE
SRQF-3AT	4.0	∅3.5	2000



風扇鉚釘 FAN SNAP RIVET

5-3-2

- MATERIAL: TPE
- COLOR: BLACK



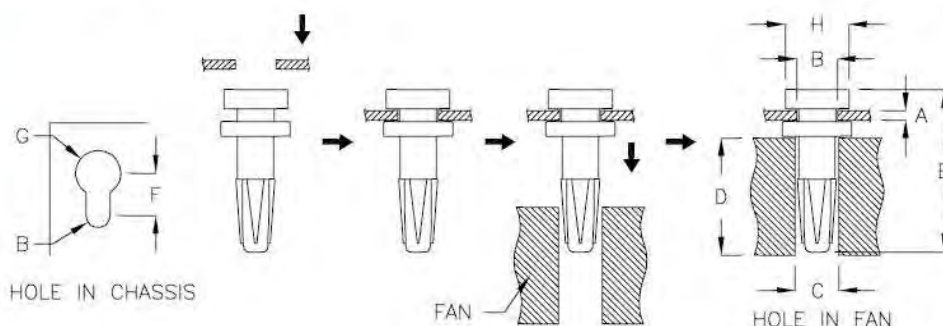
PART NO	A	C HOLE IN FAN	PACKAGE
SRQA-4HC	4.85	∅4.5	2000



風扇鉚釘 FAN SNAP RIVET

5-3-3

- COLOR: BLACK



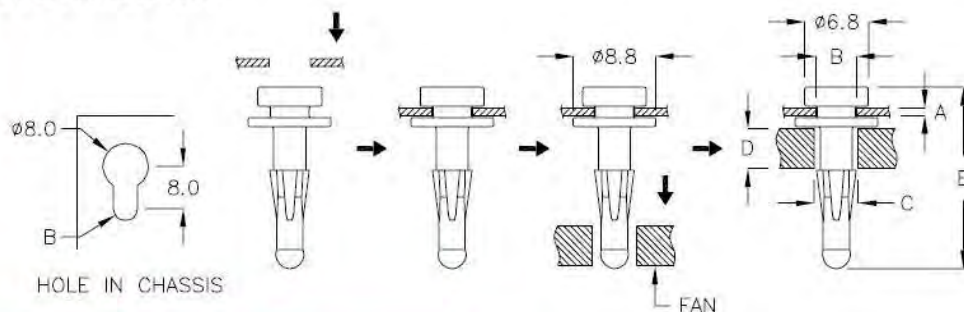
PART NO	MATERIAL	A CHASSIS THICKNESS	B HOLE IN CHASSIS	C HOLE IN FAN	D FAN CHASSIS THICKNESS	E	F	G	H	PACKAGE
SRYC-3HT	SILICONE	0.8~1.2	∅4.0	∅3.5	5.0	16.8	8.0	∅8.5	∅7.8	2000
SRYC-3XZ	TPE	1.0	∅3.5	∅3.6	>11.0	15.5	6.0	∅6.5	∅6.0	



風扇鉚釘 FAN SNAP RIVET

5-4-1

- MATERIAL: TPE
- COLOR: BLACK



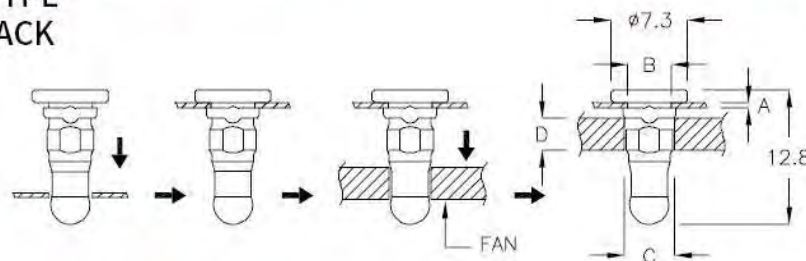
PART NO	A CHASSIS THICKNESS	B HOLE IN CHASSIS	C HOLE IN FAN	D FAN CHASSIS THICKNESS	E PACKAGE
SRYK-3AC	0.8	ø4.1	ø3.5	5.0	2000



風扇鉚釘 FAN SNAP RIVET

5-4-2

- MATERIAL: TPE
- COLOR: BLACK



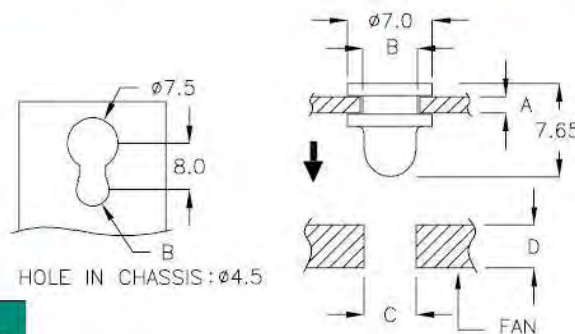
PART NO	A CHASSIS THICKNESS	B HOLE IN CHASSIS	C HOLE IN CHASSIS	D FAN CHASSIS THICKNESS	PACKAGE
SRCQ-4MT	0.5	ø4.3	ø4.5	4.0	2000



風扇鉚釘 FAN SNAP RIVET

5-4-3

- MATERIAL: TPE
- COLOR: BLACK

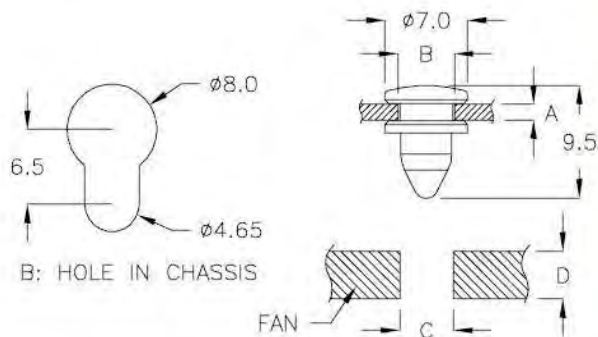


PART NO	A CHASSIS THICKNESS	B HOLE IN CHASSIS	C HOLE IN FAN	D FAN CHASSIS THICKNESS	PACKAGE
SRY-4XR	1.5	ø4.5	ø4.5	4.5	2000



風扇鉚釘 FAN SNAP RIVET | 5-5-1 |

- MATERIAL: TPE
- COLOR: BLACK

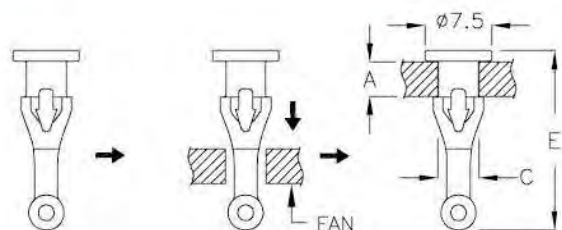


PART NO	A CHASSIS THICKNESS	C HOLE IN FAN	D FAN CHASSIS THICKNESS	PACKAGE
SRYD-4TC	1.3	∅4.5	4.0	2000



風扇鉚釘 FAN SNAP RIVET | 5-5-2 |

- MATERIAL: TPE
- COLOR: BLACK

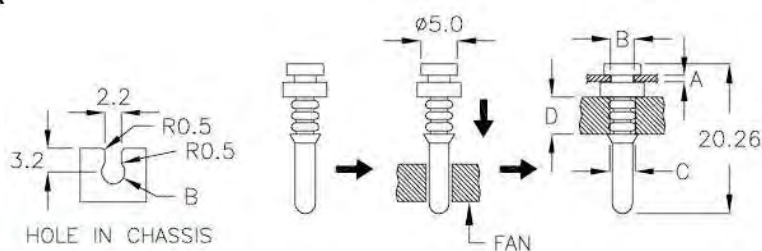


PART NO	A FAN CHASSIS THICKNESS	C HOLE IN FAN	E	PACKAGE
SRZ-4AT	4.0	∅4.5	20.1	2000



風扇鉚釘 FAN SNAP RIVET | 5-5-3 |

- MATERIAL: SILICONE
- COLOR: BLACK



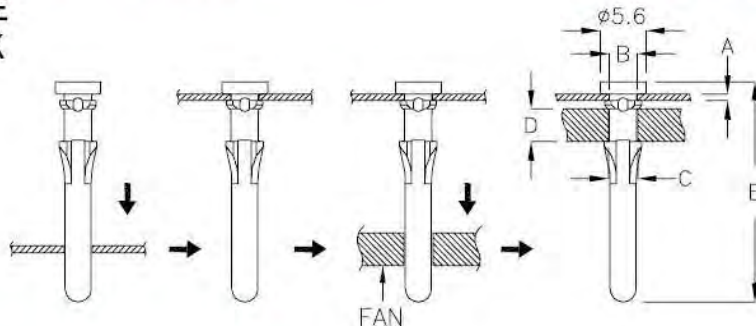
PART NO	A CHASSIS THICKNESS	B HOLE IN CHASSIS	C HOLE IN FAN	D FAN THICKNESS	PACKAGE
SRDM-20K	0.8	∅3.2	∅3.5	5.0	2000



風扇鉚釘 FAN SNAP RIVET

5-6-1

- MATERIAL: TPE
- COLOR: BLACK



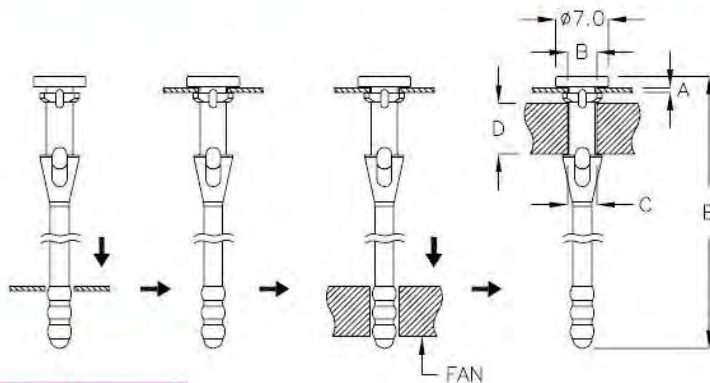
PART NO	A CHASSIS THICKNESS	B HOLE IN CHASSIS	C HOLE IN FAN	D FAN CHASSIS THICKNESS	E	PACKAGE
SRM-24NK	0.8	ø3.5	ø3.5	4.0	26.9	500



風扇鉚釘 FAN SNAP RIVET

5-6-2

- MATERIAL: TPE
- COLOR: BLACK



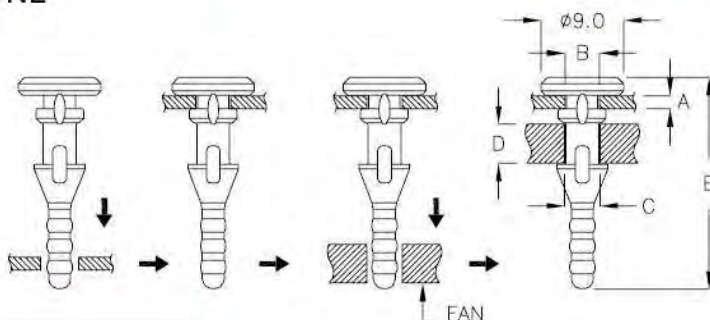
PART NO	A CHASSIS THICKNESS	B HOLE IN CHASSIS	C HOLE IN FAN	D FAN CHASSIS THICKNESS	E	PACKAGE
SRD-3GT	0.8	ø3.5	ø3.5	28.0	73.0	1000



風扇鉚釘 FAN SNAP RIVET

5-6-3

- MATERIAL: SILICONE
- COLOR: BLACK

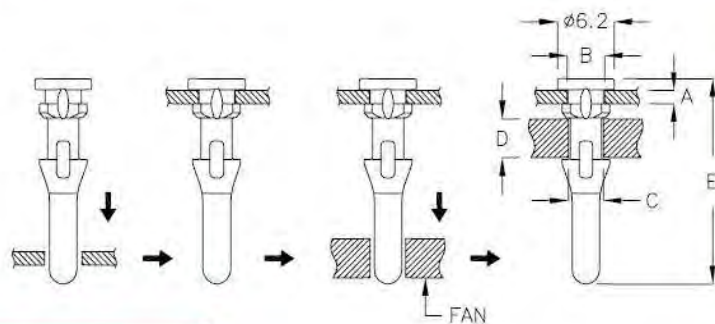


PART NO	A CHASSIS THICKNESS	B HOLE IN CHASSIS	C HOLE IN FAN	D FAN CHASSIS THICKNESS	E	PACKAGE
SRD-4WY	1.5	ø3.5	ø3.5	5.0	23.0	1000



風扇鉚釘 FAN SNAP RIVET | 5-7-1 |

- MATERIAL: TPE
- COLOR: BLACK

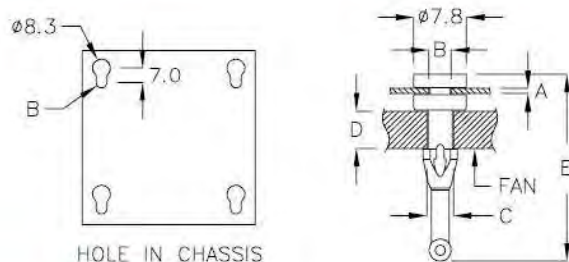


PART NO	A CHASSIS THICKNESS	B HOLE IN CHASSIS	C HOLE IN FAN	D FAN CHASSIS THICKNESS	E	PACKAGE
SRDK-22A	1.5	∅4.0	∅3.5	5.0	22.2	1000



風扇鉚釘 FAN SNAP RIVET | 5-7-2 |

- MATERIAL: SILICONE
- COLOR: BLACK

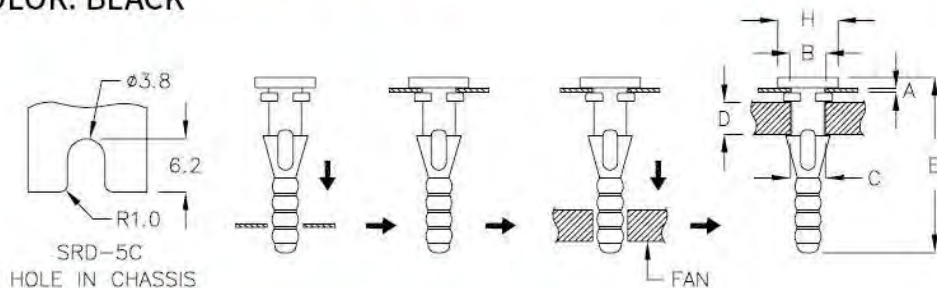


PART NO	A CHASSIS THICKNESS	B HOLE IN CHASSIS	C HOLE IN FAN	D FAN CHASSIS THICKNESS	E	PACKAGE
SR-17KM	1.0	∅3.0	∅3.5	6.5	27.6	2000
SR-20RQ	1.0	∅4.0	∅3.5	5.0	25.45	



風扇鉚釘 FAN SNAP RIVET | 5-7-3 |

- COLOR: BLACK

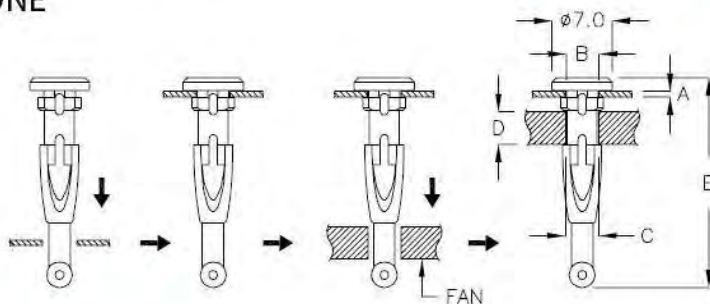


PART NO	MATERIAL	A CHASSIS THICKNESS	B HOLE IN CHASSIS	C HOLE IN FAN	D FAN CHASSIS THICKNESS	E	H	PACKAGE
SRD-3C	SILICONE	1.0	∅3.6	∅3.5	5.0	20.0	∅5.8	2000
SRD-3MF	TPE	0.8	∅3.5	∅3.5	4.0	20.0	∅5.8	
SRD-5C	SILICONE	0.8	∅4.3	∅4.3	5.0	23.8	∅8.0	1000



風扇鉚釘 FAN SNAP RIVET | 5-8-1 |

- MATERIAL: SILICONE
- COLOR: BLACK

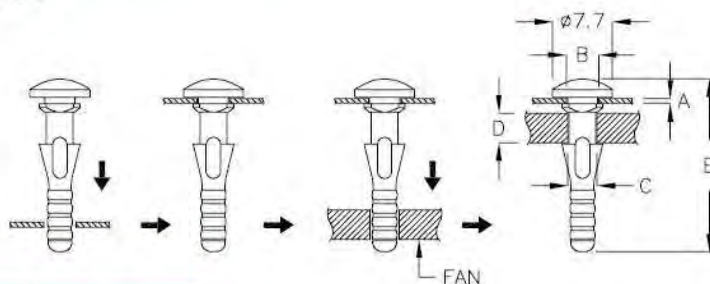


PART NO	A CHASSIS THICKNESS	B HOLE IN CHASSIS	C HOLE IN FAN	D FAN CHASSIS THICKNESS	E	PACKAGE
SRG-3A	0.8	φ3.7	φ3.5	5.0	24.3	1000



風扇鉚釘 FAN SNAP RIVET | 5-8-2 |

- MATERIAL: SILICONE
- COLOR: BLACK

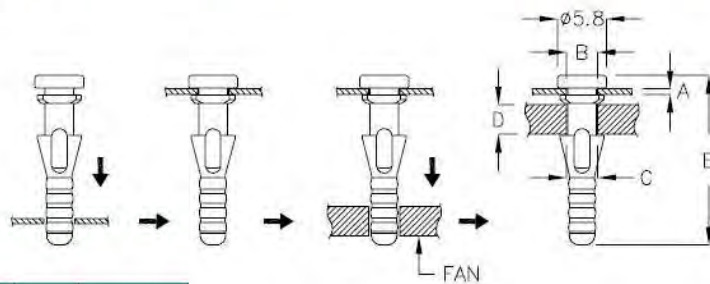


PART NO	A CHASSIS THICKNESS	B HOLE IN CHASSIS	C HOLE IN FAN	D FAN CHASSIS THICKNESS	E	PACKAGE
SRCK-3HR	1.0	φ4.0	φ3.5	5.0	22.0	2000



風扇鉚釘 FAN SNAP RIVET | 5-8-3 |

- MATERIAL: SILICONE
- COLOR: BLACK

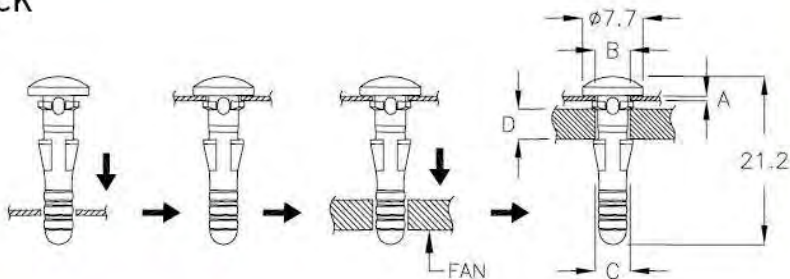


PART NO	A CHASSIS THICKNESS	B HOLE IN CHASSIS	C HOLE IN FAN	D FAN CHASSIS THICKNESS	E	PACKAGE
SRD-3FC	1.0	φ3.5	φ3.5	4.0	20.0	2000



風扇鉚釘 FAN SNAP RIVET | 5-9-1 |

- MATERIAL: TPE
- COLOR: BLACK

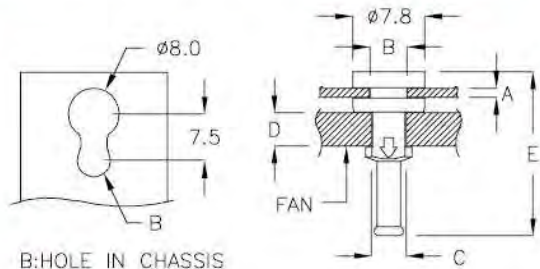


PART NO	A CHASSIS THICKNESS	B HOLE IN CHASSIS	C HOLE IN FAN	D FAN THICKNESS	PACKAGE
SRCK-4HT	1.0	φ4.0	φ4.0	4.0	2000



風扇鉚釘 FAN SNAP RIVET | 5-9-2 |

- MATERIAL: SILICONE
- COLOR: BLACK

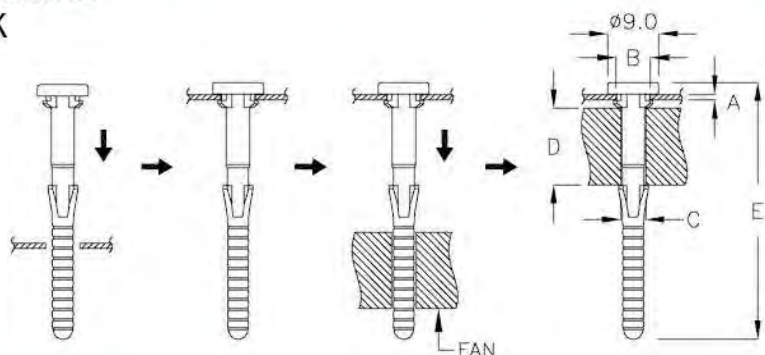


PART NO	A CHASSIS THICKNESS	B HOLE IN CHASSIS	C HOLE IN FAN	D FAN THICKNESS	E	PACKAGE
SRH-3M	1.0	φ4.0	φ3.5	4.0	17.7	2000



風扇鉚釘 FAN SNAP RIVET | 5-9-3 |

- MATERIAL: SILICONE
- COLOR: BLACK



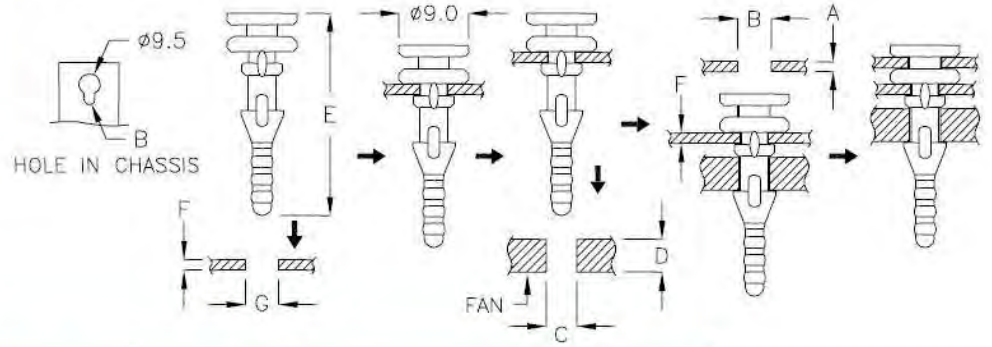
PART NO	A CHASSIS THICKNESS	B HOLE IN CHASSIS	C HOLE IN FAN	D FAN CHASSIS THICKNESS	E	PACKAGE
SRD-3TF	2.0	φ4.0	φ3.5	5.0	25.0	2000
SRD-4GM	0.8	φ6.0	φ4.3	15.0	44.7	



風扇鉚釘 FAN SNAP RIVET

5-10-1

- MATERIAL: SILICONE
- COLOR: BLACK



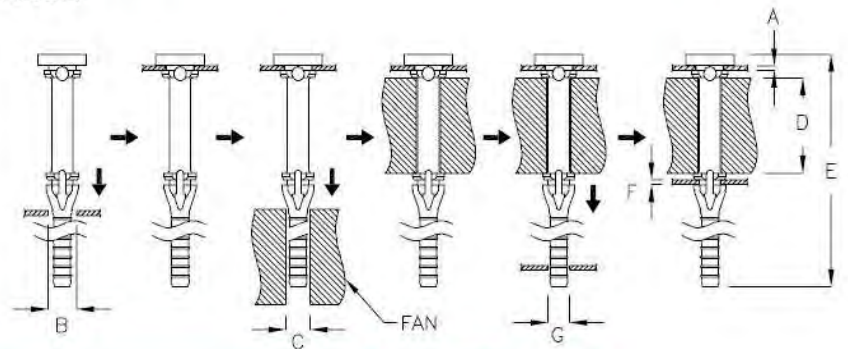
PART NO	A CHASSIS THICKNESS	B HOLE IN CHASSIS	C HOLE IN FAN	D FAN CHASSIS THICKNESS	E	F CHASSIS THICKNESS	G HOLE IN CHASSIS	PACKAGE
SRD-4PW	1.5	ø4.2	ø3.5	5.0	26.0	1.5	ø3.5	1000



風扇鉚釘 FAN SNAP RIVET

5-10-2

- MATERIAL: SILICONE
- COLOR: BLACK



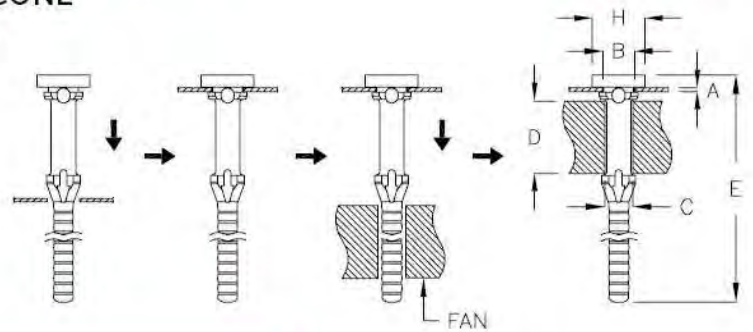
PART NO	A CHASSIS THICKNESS	B HOLE IN CHASSIS	C HOLE IN FAN	D FAN CHASSIS THICKNESS	E	F CHASSIS THICKNESS	G HOLE IN CHASSIS	PACKAGE
SRD-3QW	0.8	ø4.5	ø3.5	28.0	72.7	0.8	ø3.5	500



風扇鉚釘 FAN SNAP RIVET

5-10-3

- MATERIAL: SILICONE
- COLOR: BLACK



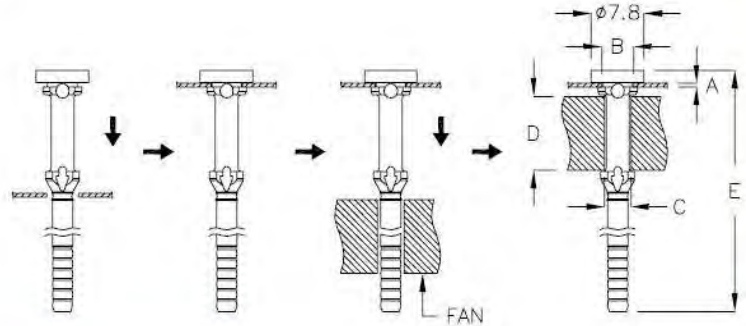
PART NO	A CHASSIS THICKNESS	B HOLE IN CHASSIS	C HOLE IN FAN	D FAN CHASSIS THICKNESS	E	H	PACKAGE
SRD-3R	0.8	ø3.5	ø3.5	28.0	70.7	ø6.8	500
SRD-3A	0.8	ø4.5	ø3.5	28.0	70.7	ø7.8	
SRD-3JK	0.8	ø4.5	ø3.5	20.0	54.7	ø7.8	



風扇鉚釘 FAN SNAP RIVET

5-11-1

- MATERIAL: SILICONE
- COLOR: BLACK



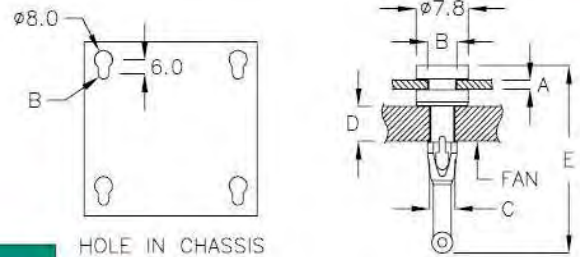
PART NO	A CHASSIS THICKNESS	B HOLE IN CHASSIS	C HOLE IN FAN	D FAN CHASSIS THICKNESS	E	PACKAGE
★ SRD-3AT	0.8	∅4.5	∅3.5	28.0	70.7	500



風扇鉚釘 FAN SNAP RIVET

5-11-2

- MATERIAL: TPR
- COLOR: BLACK



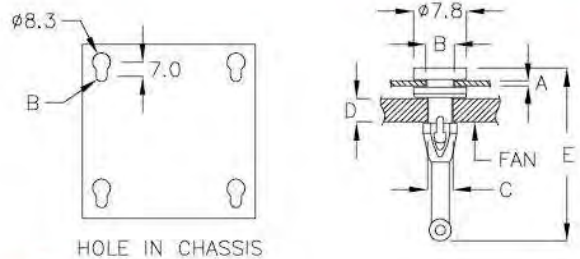
PART NO	A CHASSIS THICKNESS	B HOLE IN CHASSIS	C HOLE IN FAN	D FAN CHASSIS THICKNESS	E	PACKAGE
SR-17Y	1.6	∅4.1	∅3.6	6.5	27.65	2000
SR-20Y	1.6	∅4.1	∅3.6	5.5	25.0	



風扇鉚釘 FAN SNAP RIVET

5-11-3

- MATERIAL: SILICONE
- COLOR: BLACK



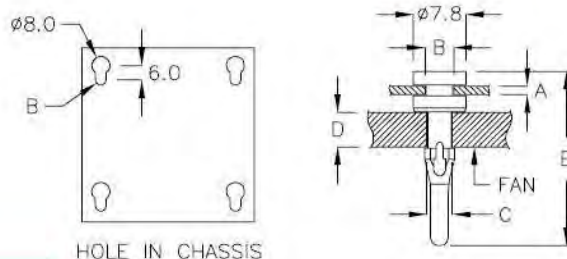
PART NO	A CHASSIS THICKNESS	B HOLE IN CHASSIS	C HOLE IN FAN	D FAN CHASSIS THICKNESS	E	PACKAGE
SR-41Y	1.0	∅4.0	∅4.0	4.0	25.5	2000



風扇鉚釘 FAN SNAP RIVET

5-12-1

- MATERIAL: TPE
- COLOR: BLACK



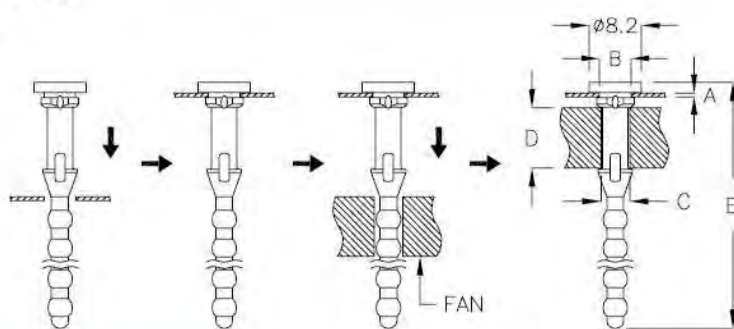
PART NO	A CHASSIS THICKNESS	B HOLE IN CHASSIS	C HOLE IN FAN	D FAN CHASSIS THICKNESS	E	PACKAGE
SR-20MK	1.6	ø4.1	ø3.6	5.5	25.7	2000



風扇鉚釘 FAN SNAP RIVET

5-12-2

- MATERIAL: SILICONE
- COLOR: BLACK



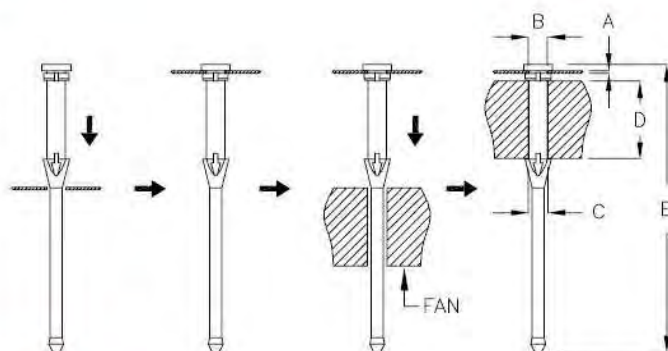
PART NO	A CHASSIS THICKNESS	B HOLE IN CHASSIS	C HOLE IN FAN	D FAN CHASSIS THICKNESS	E	PACKAGE
SRD-4A	1.0	ø4.4	ø4.0	25.4	65.8	500



風扇鉚釘 FAN SNAP RIVET

5-12-3

- MATERIAL: SILICONE
- COLOR: BLACK

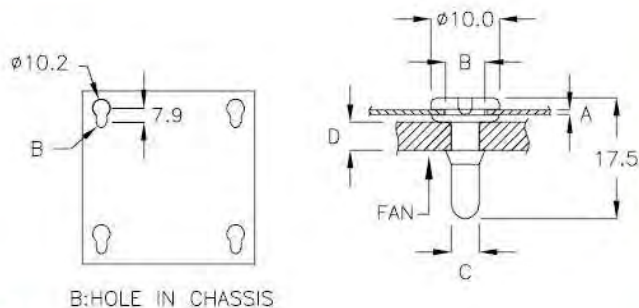


PART NO	A CHASSIS THICKNESS	B HOLE IN CHASSIS	C HOLE IN FAN	D FAN CHASSIS THICKNESS	E	PACKAGE
SRD-5H	0.8	ø4.2	ø4.2	20.0	69.3	500



風扇鉚釘 FAN SNAP RIVET | 5-13-1 |

- MATERIAL: TPE
- COLOR: BLACK



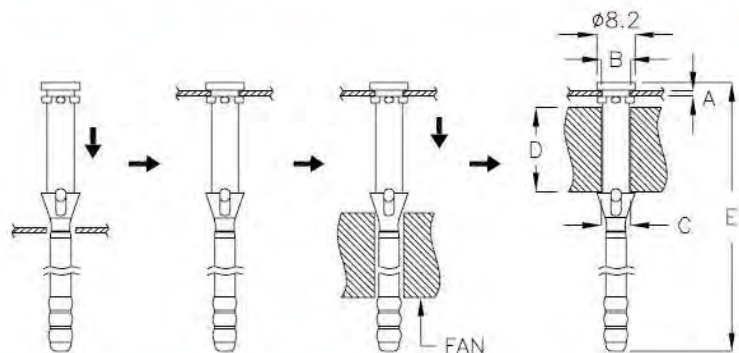
B: HOLE IN CHASSIS

PART NO	A CHASSIS THICKNESS	B HOLE IN CHASSIS	C HOLE IN FAN	D FAN CHASSIS THICKNESS	PACKAGE
SR-15C	0.8	φ5.9	φ4.2	4.0	2000



風扇鉚釘 FAN SNAP RIVET | 5-13-2 |

- COLOR: BLACK

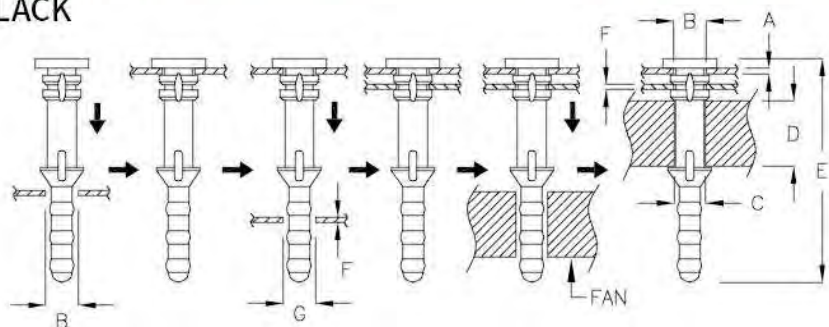


PART NO	MATERIAL	A CHASSIS THICKNESS	B HOLE IN CHASSIS	C HOLE IN FAN	D FAN CHASSIS THICKNESS	E	PACKAGE
SRD-4BN	SILICONE	1.0	φ4.3	φ4.3	10.0	41.5	1000
SRD-4KH	TPE	1.0	φ4.3	φ4.3	15.0	46.5	



風扇鉚釘 FAN SNAP RIVET | 5-13-3 |

- MATERIAL: SILICONE
- COLOR: BLACK



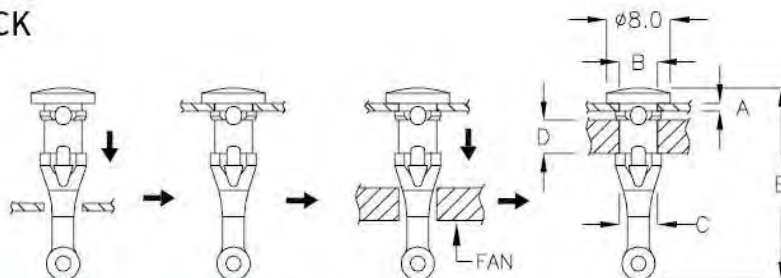
PART NO	A CHASSIS THICKNESS	B HOLE IN CHASSIS	C HOLE IN FAN	D FAN CHASSIS THICKNESS	E	F CHASSIS THICKNESS	G HOLE IN CHASSIS	PACKAGE
SRD-4D	1.0~1.2	φ4.3	φ4.3	38.0	81.2	0.8~1.0	φ4.3	500



風扇鉚釘 FAN SNAP RIVET

5-14-1

- MATERIAL: TPE
- COLOR: BLACK



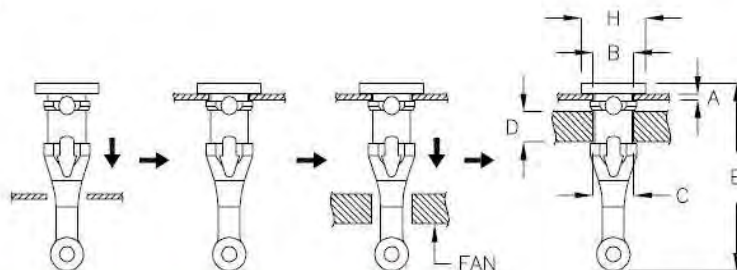
PART NO	A CHASSIS THICKNESS	B HOLE IN CHASSIS	C HOLE IN FAN	D FAN CHASSIS THICKNESS	E	PACKAGE
SR-22GS	1.0	ø4.3	ø4.3	4.0	23.2	2000



風扇鉚釘 FAN SNAP RIVET

5-14-2

- MATERIAL: SILICONE,TPE,TPR
- COLOR: BLACK



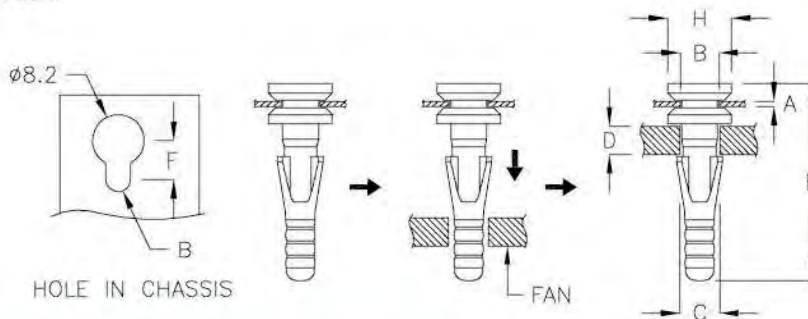
PART NO	MATERIAL	A CHASSIS THICKNESS	B HOLE IN CHASSIS	C HOLE IN FAN	D FAN CHASSIS THICKNESS	E	H	PACKAGE
SR-16Y	TPR	0.9	ø4.6	ø4.6	4.0	22.2	ø7.6	2000
SR-22A	TPE	1.0	ø4.5	ø4.5	4.0	22.2	ø7.6	
SR-22BL	TPE	1.0	ø4.5	ø4.5	4.0	22.8	ø7.6	1000
SR-22C	TPE	1.0	ø4.5	ø4.5	3.0	22.2	ø7.6	2000
SR-22D	TPE	0.8	ø4.5	ø4.5	4.0	22.2	ø7.6	
SR-22F	TPE	0.8	ø4.5	ø4.5	3.0	22.2	ø7.6	
SR-22H	SILICONE	1.0	ø4.3	ø4.3	4.0	22.2	ø7.6	
SR-22J	TPE	1.0	ø4.3	ø4.3	3.0	22.2	ø7.6	
SR-22K	TPE	0.8	ø4.3	ø4.3	4.0	22.0	ø7.6	
SR-22L	TPE	0.8	ø4.3	ø4.3	3.0	22.2	ø7.6	
SR-22MP	SILICONE	2.0	ø4.8	ø4.3	4.5	23.6	ø8.0	
SR-22XW	SILICONE	1.2	ø4.5	ø4.5	4.0	22.7	ø9.3	



風扇鉚釘 FAN SNAP RIVET

5-15-1

- MATERIAL: TPE
- COLOR: BLACK



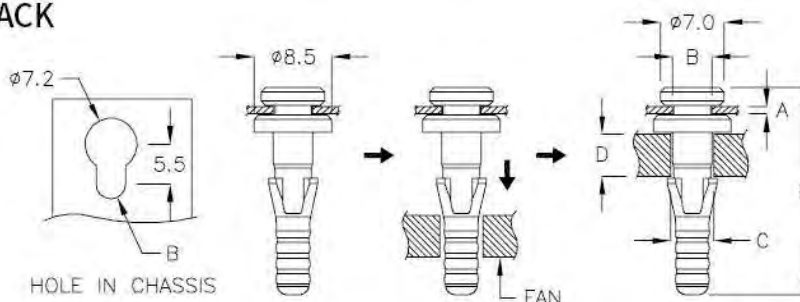
PART NO	A CHASSIS THICKNESS	B HOLE IN CHASSIS	C HOLE IN FAN	D FAN CHASSIS THICKNESS	E	F	H	PACKAGE
SRD-7AK	0.8	φ4.4	φ4.3	4.0	23.9	5.7	φ7.8	1000
SRD-21Y	1.0	φ4.5	φ4.5	4.0	22.6	6.2	φ8.0	2000
SRD-23C	1.0	φ4.5	φ4.5	4.8	23.3	6.2	φ8.0	1000
SRD-25GW	1.0	φ4.5	φ4.3	5.4	25.7	6.2	φ7.8	



風扇鉚釘 FAN SNAP RIVET

5-15-2

- MATERIAL: TPE
- COLOR: BLACK



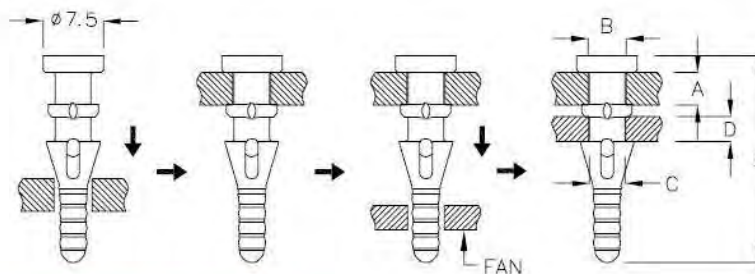
PART NO	A CHASSIS THICKNESS	B HOLE IN CHASSIS	C HOLE IN FAN	D FAN CHASSIS THICKNESS	E	PACKAGE
SRD-22MK	1.0	φ4.1	φ4.5	5.0	22.6	1000



風扇鉚釘 FAN SNAP RIVET

5-15-3

- MATERIAL: TPE
- COLOR: BLACK



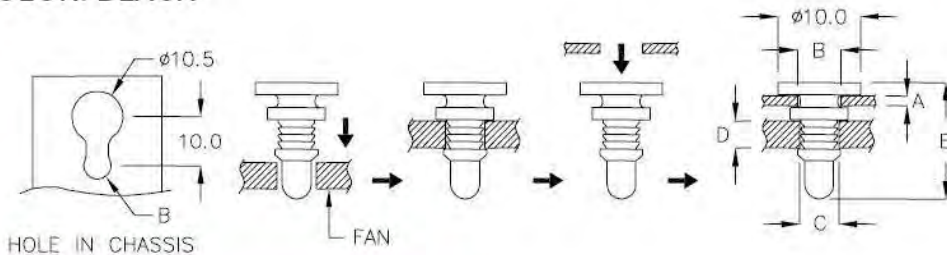
PART NO	A CHASSIS THICKNESS	B HOLE IN CHASSIS	C HOLE IN FAN	D FAN CHASSIS THICKNESS	E	PACKAGE
SRD-4NH	4.0	φ4.65	φ4.3	4.0	25.4	1000



風扇鉚釘 FAN SNAP RIVET

5-16-1

- MATERIAL: SILICONE
- COLOR: BLACK



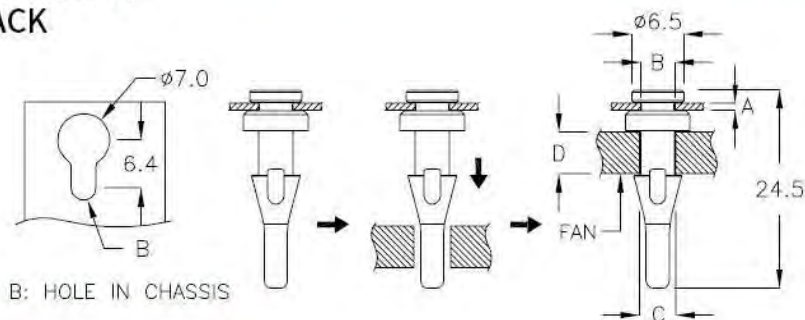
PART NO	A CHASSIS THICKNESS	B HOLE IN CHASSIS	C HOLE IN FAN	D FAN CHASSIS THICKNESS	E	PACKAGE
SRCM-5JG	1.3	∅5.6	∅4.3	4.0	13.85	2000
SRCM-5K	1.6	∅5.6	∅4.3	4.0	14.05	



風扇鉚釘 FAN SNAP RIVET

5-16-2

- MATERIAL: SILICONE
- COLOR: BLACK



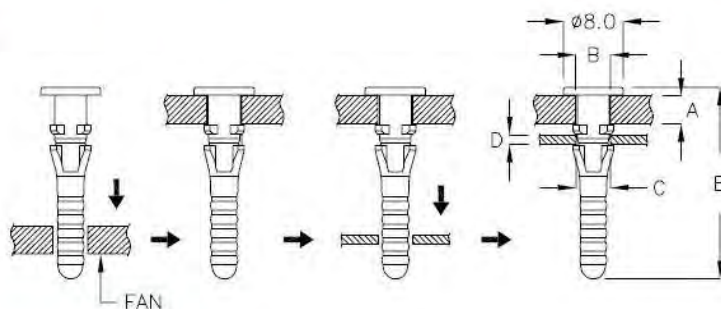
PART NO	A CHASSIS THICKNESS	B HOLE IN CHASSIS	C HOLE IN FAN	D FAN CHASSIS THICKNESS	PACKAGE
SRL-24JK	0.9	∅4.1	∅4.4	5.6	2000



風扇鉚釘 FAN SNAP RIVET

5-16-3

- MATERIAL: TPE
- COLOR: BLACK

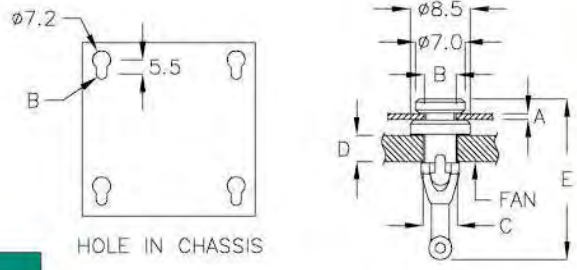


PART NO	A FAN CHASSIS THICKNESS	B HOLE IN FAN	C HOLE IN CHASSIS	D CHASSIS THICKNESS	E	PACKAGE
SRCK-4FA	4.0	∅4.4	∅4.4	1.5	25.4	2000

風扇鉚釘 FAN SNAP RIVET | 5-17-1 |



- MATERIAL: TPR
- COLOR: BLACK

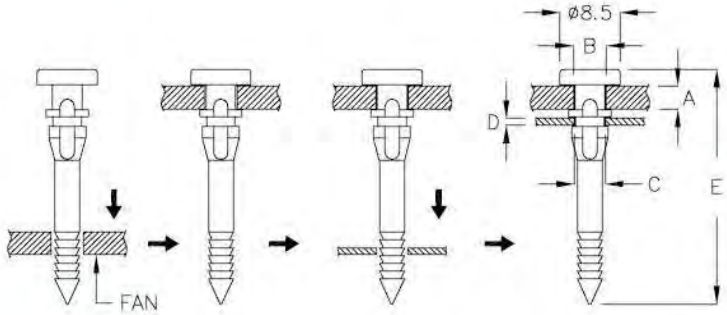


PART NO	A CHASSIS THICKNESS	B HOLE IN CHASSIS	C HOLE IN FAN	D FAN CHASSIS THICKNESS	E	PACKAGE
SR-26Y	1.0	∅4.1	∅4.5	4.0	22.6	1000

風扇鉚釘 FAN SNAP RIVET | 5-17-2 |



- MATERIAL: SILICONE
- COLOR: BLACK

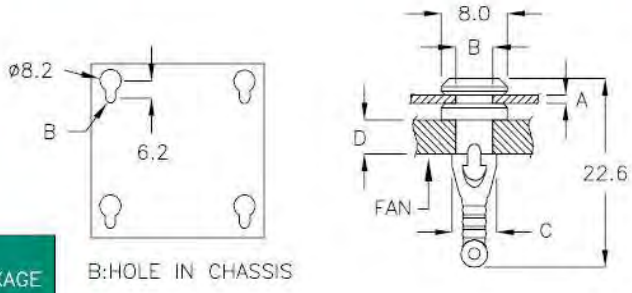


PART NO	A FAN CHASSIS THICKNESS	B HOLE IN FAN	C HOLE IN CHASSIS	D CHASSIS THICKNESS	E	PACKAGE
SRB-02	3.5	∅4.2	∅4.5	1.3	33.0	2000

風扇鉚釘 FAN SNAP RIVET | 5-17-3 |



- MATERIAL: TPR
- COLOR: BLACK



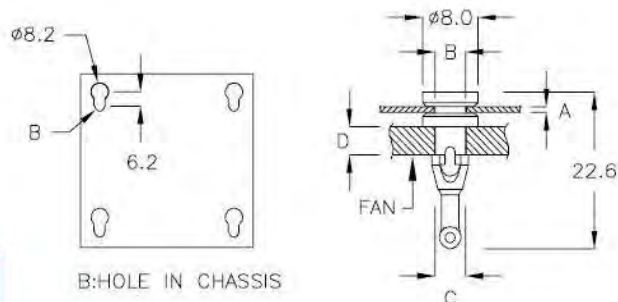
PART NO	A CHASSIS THICKNESS	B HOLE IN CHASSIS	C HOLE IN FAN	D FAN CHASSIS THICKNESS	PACKAGE
SR-21RK	1.0	∅4.5	∅4.5	4.0	2000



風扇鉚釘 FAN SNAP RIVET

5-18-1

- MATERIAL: TPR
- COLOR: BLACK



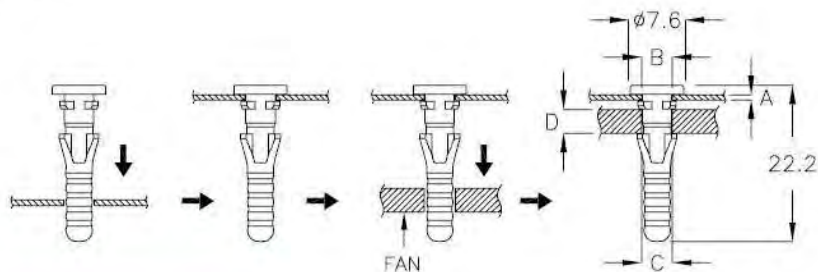
PART NO	A CHASSIS THICKNESS	B HOLE IN CHASSIS	C HOLE IN FAN	D FAN CHASSIS THICKNESS	PACKAGE
SR-21Y	1.0	ø4.5	ø4.5	4.0	2000



風扇鉚釘 FAN SNAP RIVET

5-18-2

- MATERIAL: TPE
- COLOR: BLACK



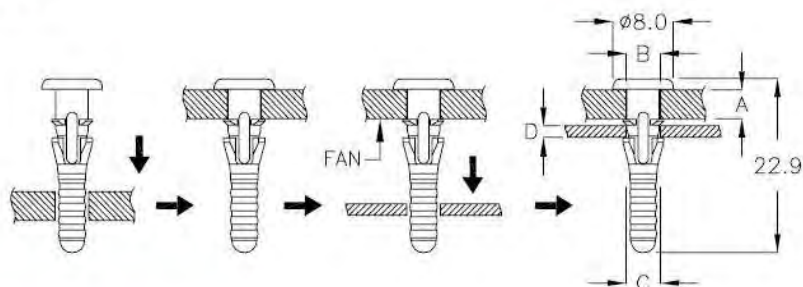
PART NO	A CHASSIS THICKNESS	B HOLE IN CHASSIS	C HOLE IN FAN	D FAN CHASSIS THICKNESS	PACKAGE
SRD-22AT	1.0	ø4.5	ø4.5	4.0	2000



風扇鉚釘 FAN SNAP RIVET

5-18-3

- MATERIAL: TPE
- COLOR: BLACK



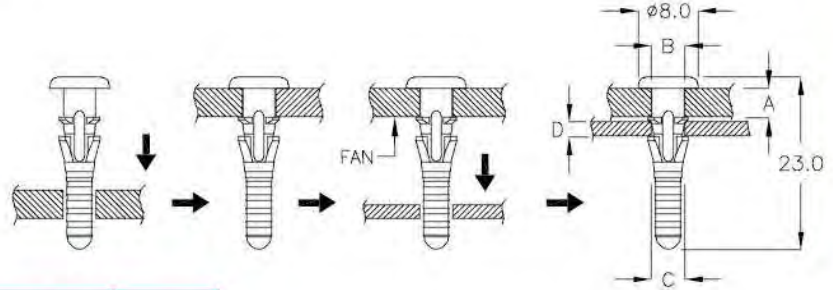
PART NO	A FAN THICKNESS	B HOLE IN FAN	C HOLE IN CHASSIS	D CHASSIS THICKNESS	PACKAGE
SRBK-4TK	4.0	ø4.5	ø4.5	2.0	2000



風扇鉚釘 FAN SNAP RIVET

5-19-1

- MATERIAL: TPE
- COLOR: BLACK



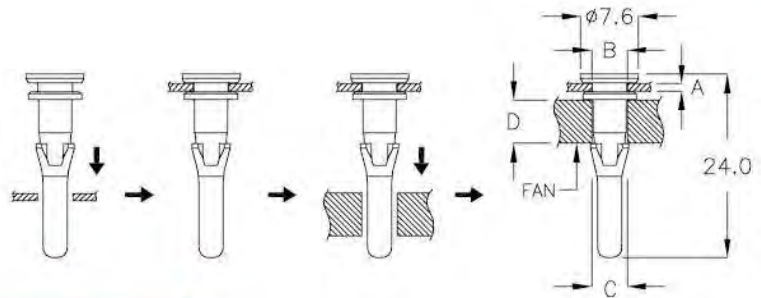
PART NO	A FAN THICKNESS	B HOLE IN FAN	C HOLE IN CHASSIS	D CHASSIS THICKNESS	PACKAGE
SRCK-4JL	4.0	ø4.5	ø4.5	2.0	2000



風扇鉚釘 FAN SNAP RIVET

5-19-2

- MATERIAL: TPE
- COLOR: BLACK



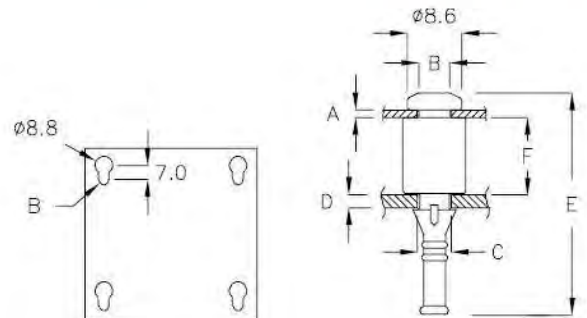
PART NO	A CHASSIS THICKNESS	B HOLE IN CHASSIS	C HOLE IN FAN	D FAN CHASSIS THICKNESS	PACKAGE
SRD-24D	1.0	ø4.5	ø4.5	6.0	2000



風扇鉚釘 FAN SNAP RIVET

5-19-3

- MATERIAL: SILICONE
- COLOR: BLACK



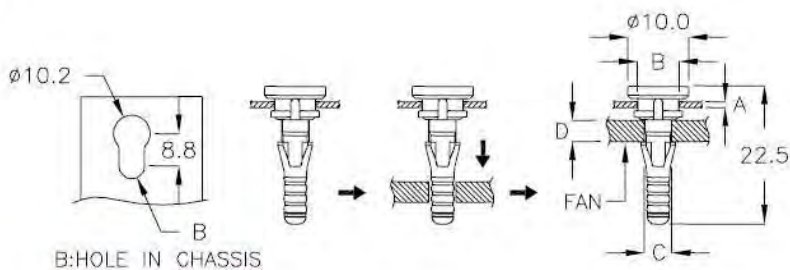
PART NO	A CHASSIS THICKNESS	B HOLE IN CHASSIS	C HOLE IN CHASSIS	D FAN CHASSIS THICKNESS	E	F	PACKAGE
SR-33Y	1.2	ø5.0	ø4.6	2.5	34.3	11.4	500
SR-36Y	1.2	ø5.0	ø4.6	2.5	34.9	12.0	



風扇鉚釘 FAN SNAP RIVET

5-20-1

- MATERIAL: TPE
- COLOR: BLACK



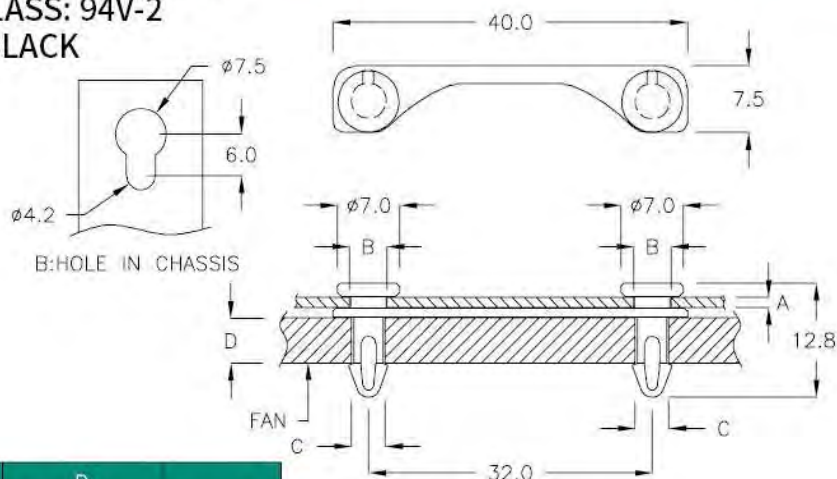
PART NO	A CHASSIS THICKNESS	B HOLE IN CHASSIS	C HOLE IN FAN	D FAN CHASSIS THICKNESS	PACKAGE
SRD-21SA	1.0	$\phi 7.1$	$\phi 4.5$	4.0	2000



風扇固定扣 FAN SNAP RIVET

5-20-2

- MATERIAL: NYLON 66(UL)
- FLAME CLASS: 94V-2
- COLOR: BLACK



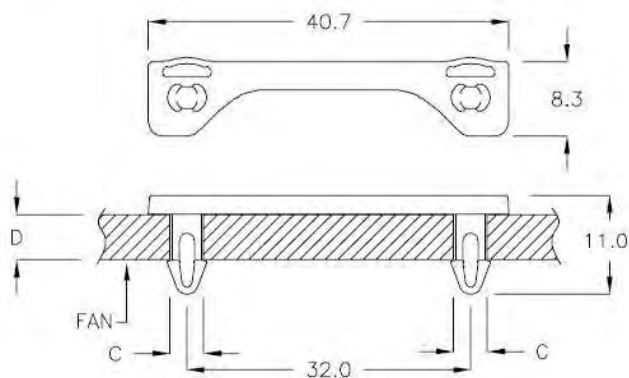
PART NO	A CHASSIS THICKNESS	B HOLE IN CHASSIS	C HOLE IN FAN	D FAN CHASSIS THICKNESS	PACKAGE
LHK-40	1.2	$\phi 4.2$	$\phi 3.5$	5.0	200



風扇固定扣 FAN SNAP RIVET

5-20-3

- MATERIAL: NYLON 66(UL)
- FLAME CLASS: 94V-2
- COLOR: BLACK

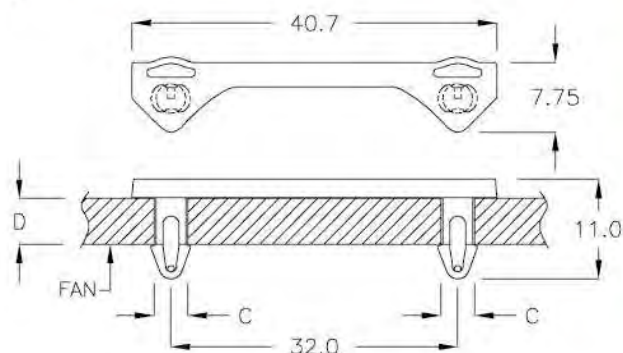


PART NO	C HOLE IN FAN	D FAN CHASSIS THICKNESS	PACKAGE
LHQ-40M	$\phi 3.5$	5.0	200



風扇固定扣 FAN SNAP RIVET ————— 5-21-1

- MATERIAL: NYLON 66(UL)
- FLAME CLASS: 94V-2
- COLOR: BLACK

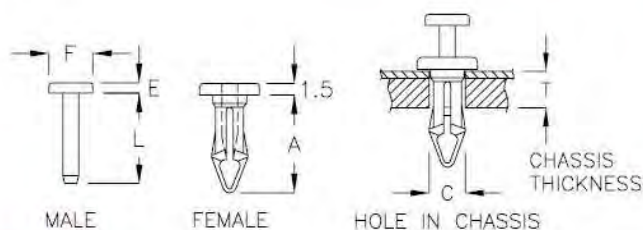


PART NO	C HOLE IN FAN	D FAN CHASSIS THICKNESS	PACKAGE
LHQ-40KP	ø3.5	5.0	200



鉚釘 MOUNTING BUTTON ————— 5-21-2

- MATERIAL: NYLON 66(UL)
- FLAME CLASS: 94V-2
- COLOR: BLACK

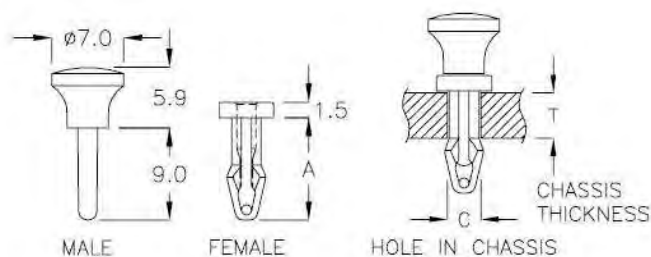


PART NO	A	C HOLE IN CHASSIS	E	F	L	T CHASSIS THICKNESS	PACKAGE
SR-02Y	8.9	ø3.1	1.3	ø3.2	7.65	2.5~3.2	2000
SR-03Y	10.0	ø3.2	1.0	ø3.1	9.0	4.2~4.5	
SR-4Y	12.1	ø4.3	1.3	ø5.5	11.2	5.6~6.4	
SR-06C	10.7	ø4.5	1.55	ø7.3	9.55	5.6~6.0	
SR-06Y	10.8	ø4.6	1.5	ø7.3	9.6	5.6~6.0	
SR-08Y	10.7	ø4.65	1.53	ø4.75	9.4	5.2~5.7	



尼龍鉚釘 SNAP RIVET ————— 5-21-3

- MATERIAL: NYLON 66(UL)
- FLAME CLASS: 94V-2
- COLOR: BLACK



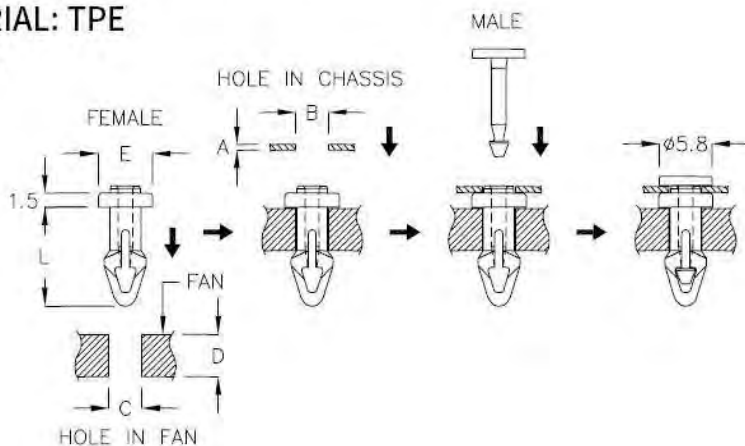
PART NO	A	C HOLE IN CHASSIS	T CHASSIS THICKNESS	PACKAGE
SRXM-3Y	10.0	ø3.0	4.8	2000



風扇鉚釘 FAN SNAP RIVET

5-22-1

- MALE MATERIAL: NYLON 66(UL)
- FLAME CLASS: 94V-0
- FEMALE MATERIAL: TPE
- COLOR: BLACK



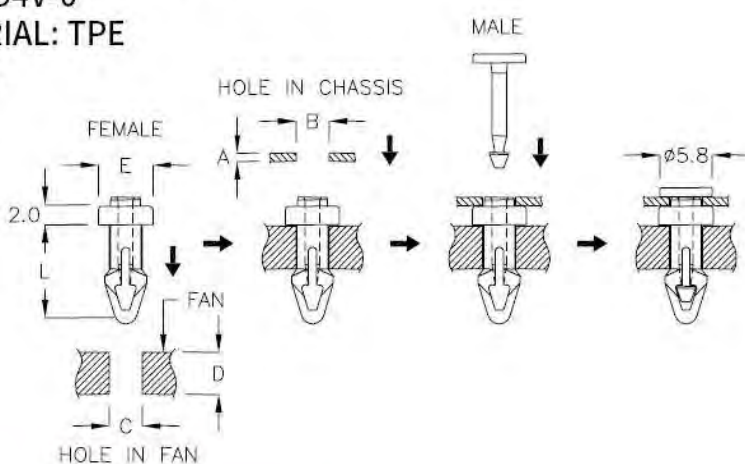
PART NO	A CHASSIS THICKNESS	B HOLE IN CHASSIS	C HOLE IN FAN	D FAN CHASSIS THICKNESS	E	L	PACKAGE
SQR-3KM	0.8	φ3.5	φ3.5	4.0	φ6.8	9.95	2000
SQR-3GF	1.0	φ3.5	φ3.5	4.0	φ6.8	9.95	
SQR-3AK	0.8	φ3.5	φ3.5	5.0	φ6.0	10.85	
SQR-3DP	1.0	φ3.5	φ3.5	5.0	φ6.0	10.85	



風扇鉚釘 FAN SNAP RIVET

5-22-2

- MALE MATERIAL: NYLON 66(UL)
- FLAME CLASS: 94V-0
- FEMALE MATERIAL: TPE
- COLOR: BLACK



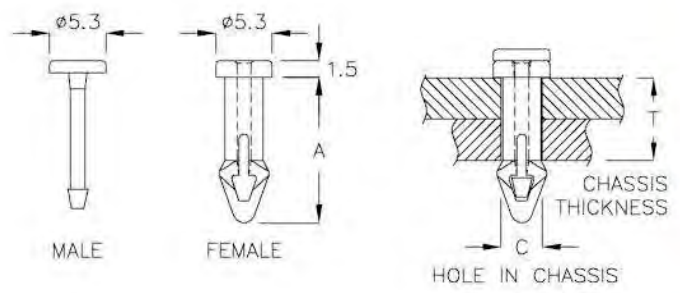
PART NO	A CHASSIS THICKNESS	B HOLE IN CHASSIS	C HOLE IN FAN	D FAN CHASSIS THICKNESS	E	L	PACKAGE
SQRC-3TC	1.0	φ3.5	φ3.5	5.0	φ6.0	10.85	2000



風扇鉚釘 FAN SNAP RIVET

5-23-1

- MALE MATERIAL: NYLON 66(UL)
- FLAME CLASS: 94V-0
- FEMALE MATERIAL: TPE
- COLOR: BLACK



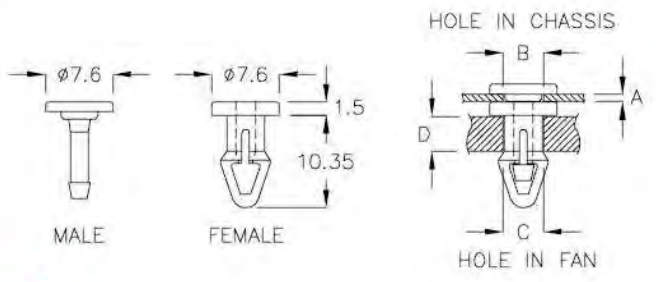
PART NO	A	C HOLE IN CHASSIS	T CHASSIS THICKNESS	PACKAGE
SR-14Y	13.6	φ3.6	8.1~8.3	2000



風扇鉚釘 FAN SNAP RIVET

5-23-2

- MALE MATERIAL: NYLON 66(UL)
- FLAME CLASS: 94V-2
- FEMALE MATERIAL: PU
- COLOR: BLACK



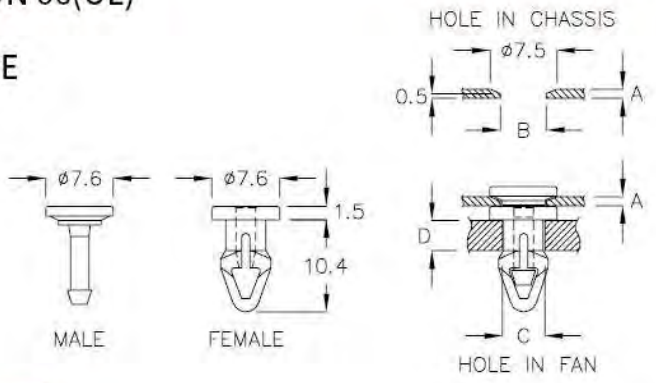
PART NO	A CHASSIS THICKNESS	B HOLE IN CHASSIS	C HOLE IN FAN	D FAN CHASSIS THICKNESS	PACKAGE
SR-11Y	0.8	φ4.6	φ4.45	4.3~4.5	2000
SR-12Y	0.8	φ4.6	φ4.45	4.5~5.7	
SR-45Y	0.8	φ4.6	φ4.3	3.0	



風扇鉚釘 FAN SNAP RIVET

5-23-3

- MALE MATERIAL: NYLON 66(UL)
- FLAME CLASS: 94V-2
- FEMALE MATERIAL: TPE
- COLOR: BLACK



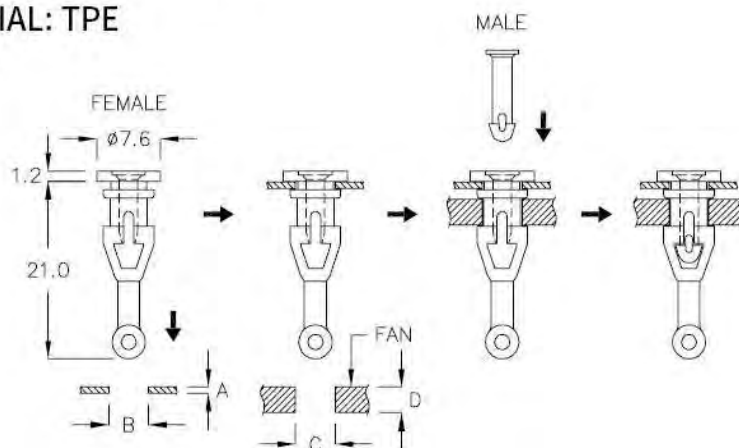
PART NO	A CHASSIS THICKNESS	B HOLE IN CHASSIS	C HOLE IN FAN	D FAN CHASSIS THICKNESS	PACKAGE
SR-13Y	1.0	φ5.15	φ4.45	4.0~4.2	2000



風扇鉚釘 FAN SNAP RIVET

5-24-1

- MALE MATERIAL: NYLON 66(UL)
- FLAME CLASS: 94V-2
- FEMALE MATERIAL: TPE
- COLOR: BLACK



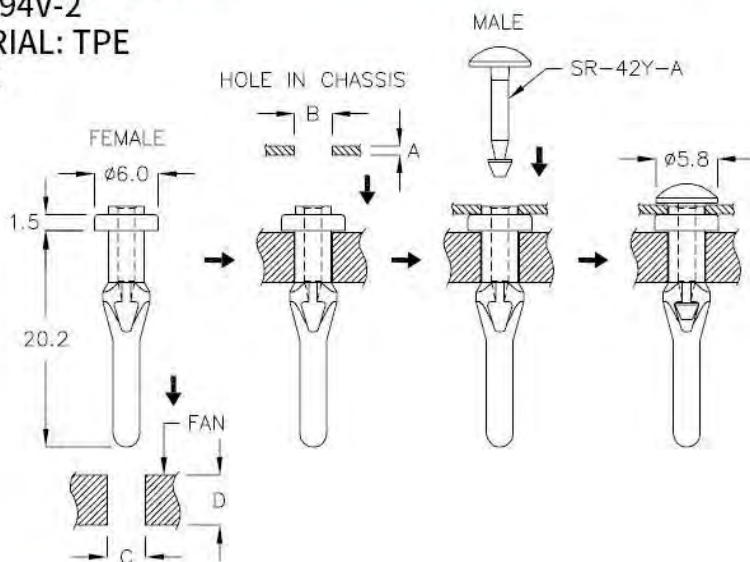
PART NO	A CHASSIS THICKNESS	B HOLE IN CHASSIS	C HOLE IN FAN	D FAN CHASSIS THICKNESS	PACKAGE
SR-15Y	1.0	∅4.6	∅4.6	3.8~4.0	2000



風扇鉚釘 FAN SNAP RIVET

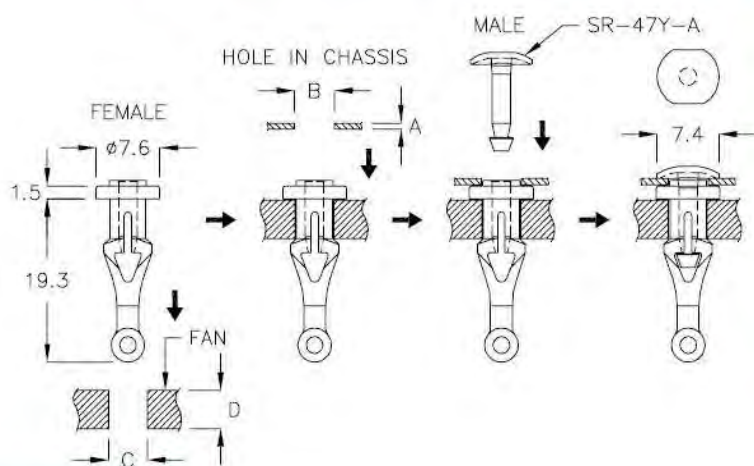
5-24-2

- MALE MATERIAL: NYLON 66(UL)
- FLAME CLASS: 94V-2
- FEMALE MATERIAL: TPE
- COLOR: BLACK



PART NO	A CHASSIS THICKNESS	B HOLE IN CHASSIS	C HOLE IN FAN	D FAN CHASSIS THICKNESS	PACKAGE
SRNT-3FY	0.8~1.0	∅3.5	∅3.5	5.0	2000

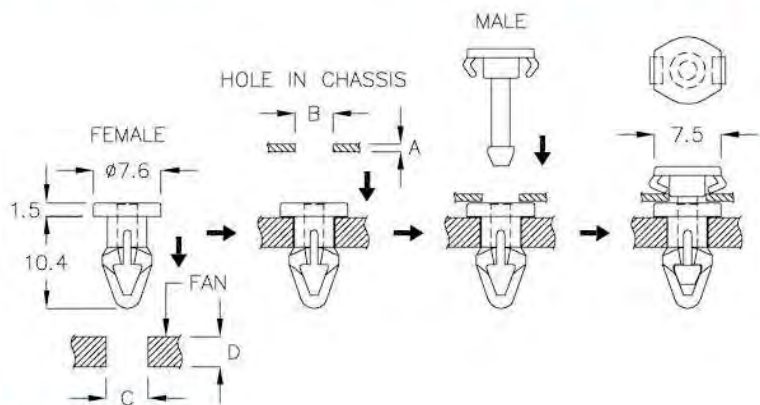
風扇鉚釘 FAN SNAP RIVET ————— 5-25-1



- MALE MATERIAL: NYLON 66(UL)
- FLAME CLASS: 94V-2
- FEMALE MATERIAL: TPE
- COLOR: BLACK

PART NO	A CHASSIS THICKNESS	B HOLE IN CHASSIS	C HOLE IN FAN	D FAN CHASSIS THICKNESS	PACKAGE
SRN-4YB	0.8	∅4.5	∅4.3	4.8~5.0	1000

風扇鉚釘 FAN SNAP RIVET ————— 5-25-2



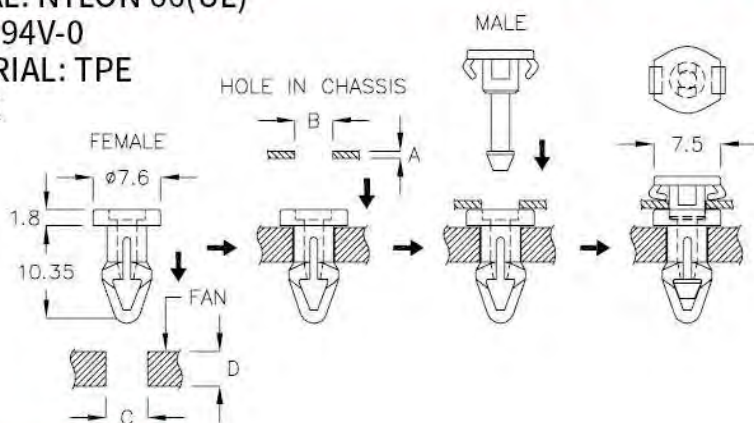
- MALE MATERIAL: NYLON 66(UL)
- FLAME CLASS: 94V-0
- FEMALE MATERIAL: TPE
- COLOR: BLACK

PART NO	A CHASSIS THICKNESS	B HOLE IN CHASSIS	C HOLE IN FAN	D FAN CHASSIS THICKNESS	PACKAGE
SR-19Y	0.8	∅4.1	∅4.45	4.0~4.2	2000

風扇鉚釘 FAN SNAP RIVET ————— 5-25-3



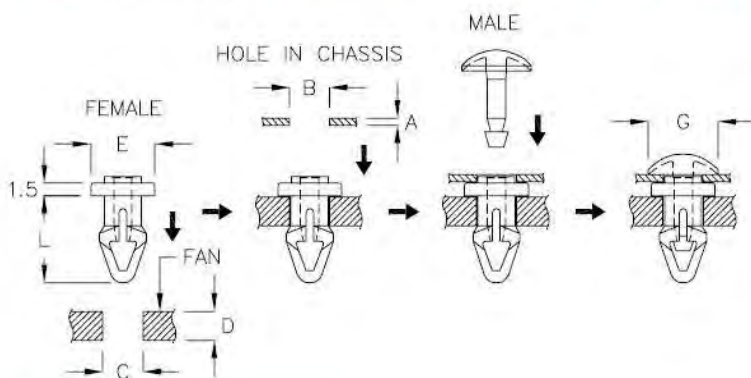
- MALE MATERIAL: NYLON 66(UL)
- FLAME CLASS: 94V-0
- FEMALE MATERIAL: TPE
- COLOR: BLACK



PART NO	A CHASSIS THICKNESS	B HOLE IN CHASSIS	C HOLE IN FAN	D FAN CHASSIS THICKNESS	PACKAGE
SR-23Y	1.2	∅4.1	∅4.45	4.0~4.2	2000
SR-24Y	0.8	∅4.1	∅4.45	4.0~4.2	

風扇鉚釘 FAN SNAP RIVET

5-26-1

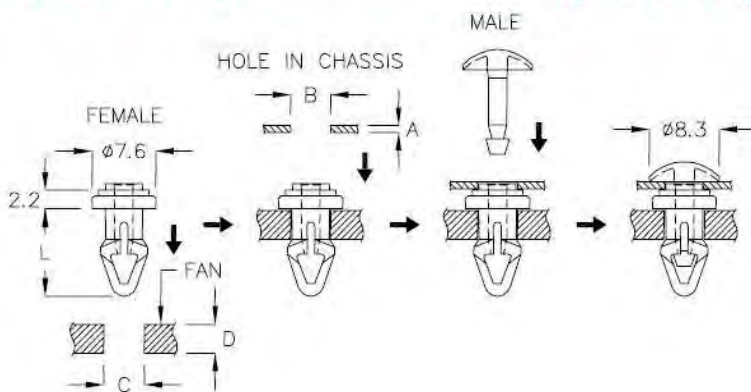


- MALE MATERIAL: NYLON 66(UL)
- FLAME CLASS: 94V-2
- FEMALE MATERIAL: TPE
- COLOR: BLACK

PART NO	A CHASSIS THICKNESS	B HOLE IN CHASSIS	C HOLE IN FAN	D FAN CHASSIS THICKNESS	E	G	L	PACKAGE
SR-38Y	0.8~1.2	φ4.5	φ4.45	4.0	φ7.6	φ8.3	10.35	2000
SR-42Y	0.8~1.0	φ3.5	φ3.5	5.0	φ6.0	φ5.8	11.3	

風扇鉚釘 FAN SNAP RIVET

5-26-2

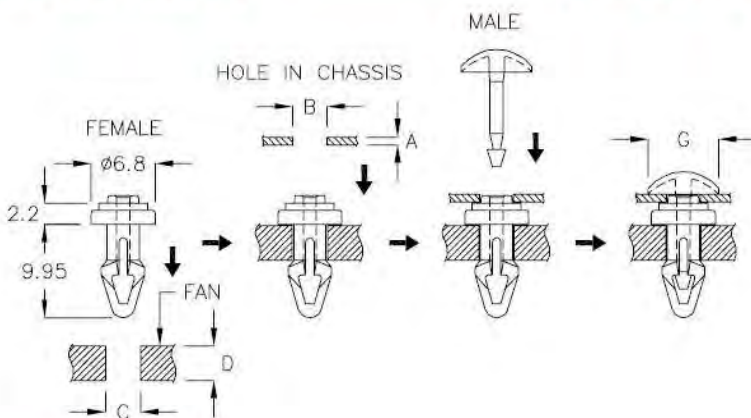


- MALE MATERIAL: NYLON 66(UL)
- FLAME CLASS: 94V-2
- FEMALE MATERIAL: TPE
- COLOR: BLACK

PART NO	A CHASSIS THICKNESS	B HOLE IN CHASSIS	C HOLE IN FAN	D FAN CHASSIS THICKNESS	L	PACKAGE
SR-39Y	0.8~1.2	φ4.5	φ4.45	4.0	10.35	2000
SR-43Y	0.8~1.2	φ4.5	φ4.3	3.5	9.95	

風扇鉚釘 FAN SNAP RIVET

5-26-3



- MALE MATERIAL: NYLON 66(UL)
- FLAME CLASS: 94V-2
- FEMALE MATERIAL: TPE
- COLOR: BLACK

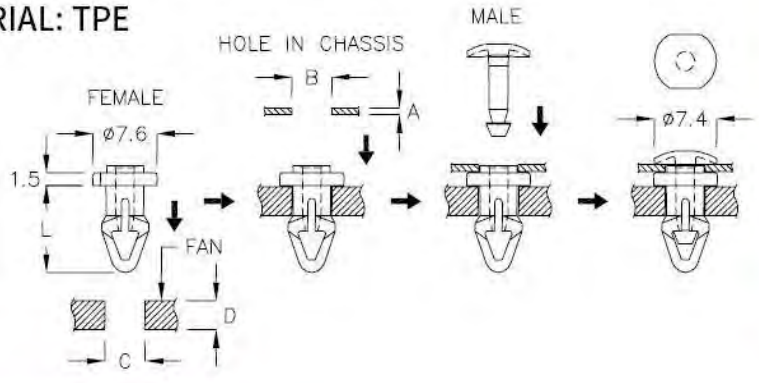
PART NO	A CHASSIS THICKNESS	B HOLE IN CHASSIS	C HOLE IN FAN	D FAN CHASSIS THICKNESS	G	PACKAGE
SR-44Y	0.8	φ3.5	φ3.5	4.0	φ7.5	2000
SR-48Y	1.0	φ3.5	φ3.5	4.0	φ5.8	



風扇鉚釘 FAN SNAP RIVET

5-27-1

- MALE MATERIAL: NYLON 66(UL)
- FLAME CLASS: 94V-2
- FEMALE MATERIAL: TPE
- COLOR: BLACK



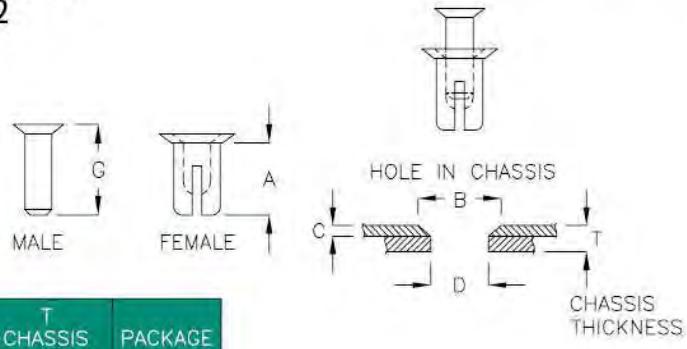
PART NO	A CHASSIS THICKNESS	B HOLE IN CHASSIS	C HOLE IN FAN	D FAN CHASSIS THICKNESS	L	PACKAGE
SR-46Y	1.0~1.2	∅4.5	∅4.45	4.0	10.35	2000
SR-47Y	0.8	∅4.5	∅4.3	5.0	11.35	



尼龍鉚釘 SNAP RIVET

5-27-2

- MATERIAL: NYLON 66(UL)
- FLAME CLASS: 94V-2
- COLOR: BLACK



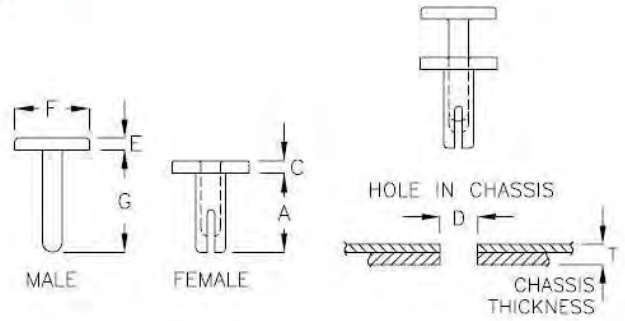
PART NO	A	B HOLE IN CHASSIS	C CHASSIS THICKNESS	D HOLE IN CHASSIS	G	T CHASSIS THICKNESS	PACKAGE
SR-3P	8.0	∅6.5	1.25	∅3.0	8.65	5.1~5.3	2000
SR-3RY	3.0	∅5.9	0.8	∅3.4	3.7	2.7~2.95	
SR-4B	6.35	∅6.5	0.7	∅4.0	7.8	3.5~3.9	
SR-4CA	6.2	∅6.5	0.8	∅4.0	7.5	3.5~4.9	
SR-4P	8.5	∅6.5	0.8	∅4.0	9.85	4.3~5.6	
SR-4PF	7.25	∅5.8	0.9	∅4.0	9.3	5.7~6.0	
SR-4PL	10.4	∅6.5	0.8	∅4.0	12.8	6.8~8.8	
SR-4PJ	15.0	∅6.5	1.5	∅3.9	17.45	12.0~13.0	



尼龍鉚釘 SNAP RIVET

5-28-1

- MATERIAL: NYLON 66(UL)
- FLAME CLASS: 94V-2
- COLOR: BLACK



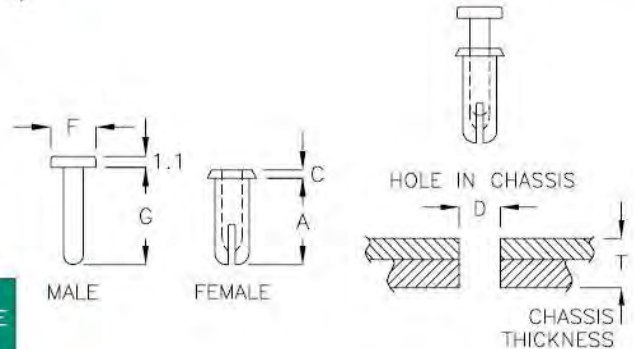
PART NO	A	C	D HOLE IN CHASSIS	E	F	G	T CHASSIS THICKNESS	PACKAGE
SR-2MC	3.2	0.6	∅2.0	0.5	∅3.5	4.0	1.3~2.0	2000
SR-2QH	4.0	0.8	∅2.0	0.5	∅3.5	4.85	2.0~3.0	
SR-2TK	5.0	0.8	∅2.0	0.75	∅4.8	6.5	2.8~3.5	



尼龍鉚釘 SNAP RIVET

5-28-2

- MATERIAL: NYLON 66(UL)
- FLAME CLASS: 94V-2
- COLOR: BLACK



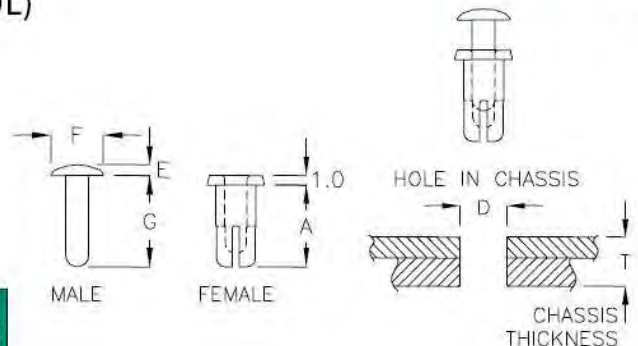
PART NO	A	C	D HOLE IN CHASSIS	F	G	T CHASSIS THICKNESS	PACKAGE
SR-3DM	8.6	0.8	∅3.5	∅4.5	9.65	5.5~6.5	2000
SR-4LM	11.3	0.9	∅4.5	∅5.8	13.4	8.0~9.0	



尼龍鉚釘 SNAP RIVET

5-28-3

- MATERIAL: NYLON 66(UL)
- FLAME CLASS: 94V-2
- COLOR: BLACK



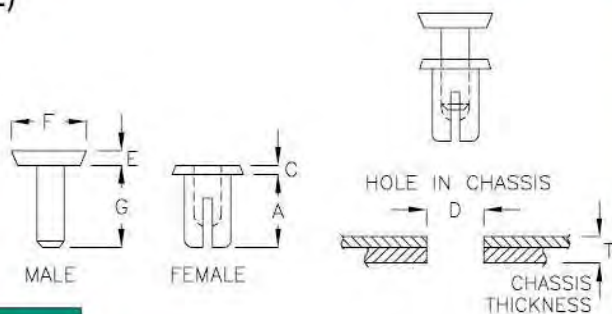
PART NO	A	D HOLE IN CHASSIS	E	F	G	T CHASSIS THICKNESS	PACKAGE
SR-4DR	9.0	∅4.5	1.2	∅5.8	10.5	5.2~6.0	2000



尼龍鉚釘 SNAP RIVET

5-29-1

- MATERIAL: NYLON 66(UL)
- FLAME CLASS: 94V-2
- COLOR: BLACK



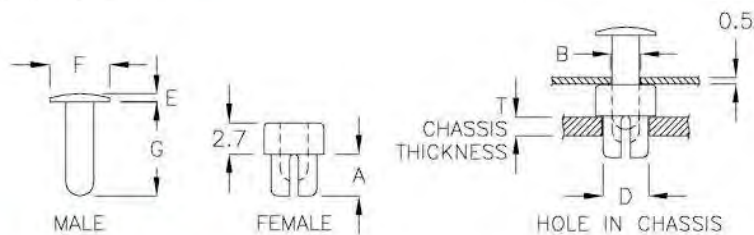
PART NO	A	C	D HOLE IN CHASSIS	E	F	G	T CHASSIS THICKNESS	PACKAGE
SR-3XK	7.5	0.8	∅3.0	1.3	∅5.5	8.3	3.5~4.6	2000
SR-3T	7.5	0.8	∅3.0	1.25	∅6.9	9.4	3.5~4.6	
SR-3TW	11.7	1.0	∅3.1	1.2	∅5.5	12.7	8.7~9.7	
SR-4T	8.0	1.0	∅4.0	1.3	∅7.0	11.0	3.7~5.2	
SR-4YT	8.3	1.0	∅4.3	1.7	∅5.5	11.3	4.0~6.0	
SR-4K	8.3	1.0	∅4.3	1.5	∅7.9	11.4	4.0~6.0	
SR-4LQ	10.5	0.9	∅4.5	1.25	∅5.85	12.3	6.0~7.2	



尼龍鉚釘 SNAP RIVET

5-29-2

- MATERIAL: NYLON 66(UL)
- FLAME CLASS: 94V-2
- COLOR: BLACK



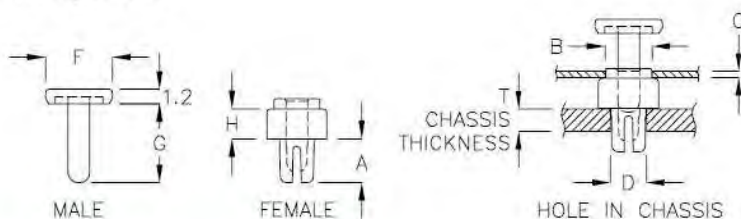
PART NO	A	B HOLE IN CHASSIS	D HOLE IN CHASSIS	E	F	G	T CHASSIS THICKNESS	PACKAGE
SR-4FH	3.6	∅2.6	∅4.0	0.7	∅5.2	7.9	1.6	2000



尼龍鉚釘 SNAP RIVET

5-29-3

- MATERIAL: NYLON 66(UL)
- FLAME CLASS: 94V-0, 94V-2
- COLOR: BLACK



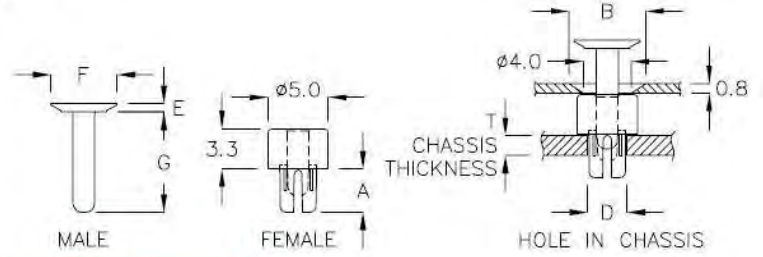
PART NO	A	B HOLE IN CHASSIS	C CHASSIS THICKNESS	D HOLE IN CHASSIS	F	G	H	T CHASSIS THICKNESS	PACKAGE
SRMR-2H	3.6	∅3.0	0.25	∅2.0	∅4.6	6.4	2.5	1.6	2000
SRMR-2CF	3.0	∅3.0	0.6~0.8	∅2.0	∅4.6	6.4	2.5	1.6	
SRMR-3D	3.6	∅4.0	0.4	∅3.0	∅5.6	6.5	2.5	1.6	
SRMR-3SC	3.6	∅4.0	1.6	∅3.0	∅5.6	10.2	5.0	1.6	



尼龍鉚釘 SNAP RIVET

5-30-1

- MATERIAL: NYLON 66(UL)
- FLAME CLASS: 94V-2
- COLOR: BLACK



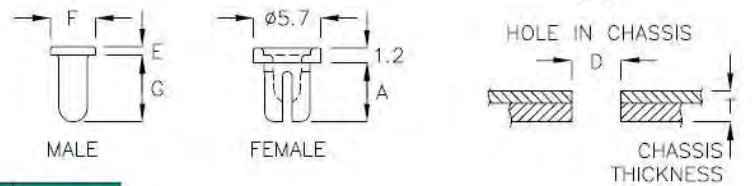
PART NO	A	B HOLE IN CHASSIS	D HOLE IN CHASSIS	E	F	G	T CHASSIS THICKNESS	PACKAGE
SRMT-3C	3.6	∅6.4	∅3.18	0.7	∅5.5	8.3	1.6	2000



尼龍鉚釘 SNAP RIVET

5-30-2

- MATERIAL: NYLON 66(UL)
- FLAME CLASS: 94V-2
- COLOR: BLACK



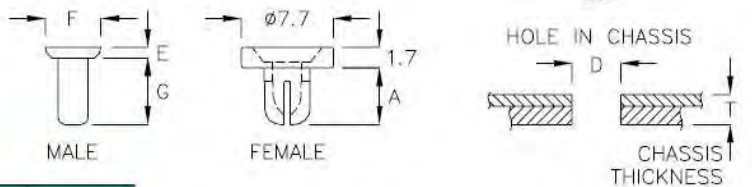
PART NO	A	D HOLE IN CHASSIS	E	F	G	T CHASSIS THICKNESS	PACKAGE
SRMF-4C	5.0	∅4.0	0.7	∅3.8	5.6	2.6	2000



尼龍鉚釘 SNAP RIVET

5-30-3

- MATERIAL: NYLON 66(UL)
- FLAME CLASS: 94V-2
- COLOR: BLACK



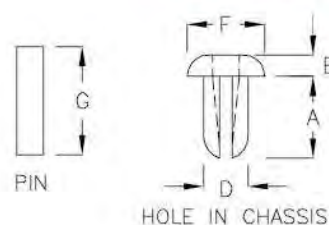
PART NO	A	D HOLE IN CHASSIS	E	F	G	T CHASSIS THICKNESS	PACKAGE
SR-4XT	4.7	∅4.0	0.9	∅4.65	5.5	1.8~2.5	2000



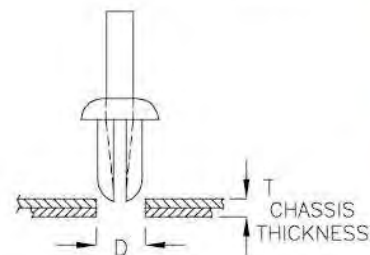
尼龍鉚釘 SNAP RIVET

- MATERIAL: NYLON 66(UL)
- FLAME CLASS: 94V-2
- COLOR: NATURAL

5-31-1



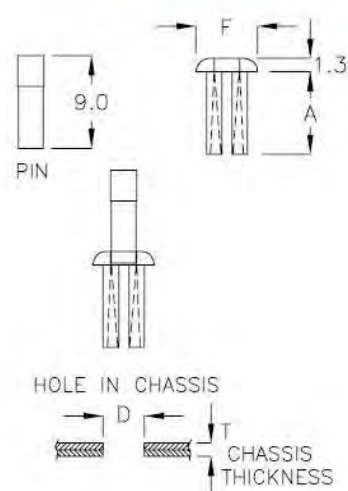
PART NO	A	D HOLE IN CHASSIS	E	F	G	T CHASSIS THICKNESS	PACKAGE
MAA-3C	5.8	ø3.2	1.5	ø5.55	7.7	2.5~3.0	2000
MAA-4C	13.7	ø4.7	2.75	ø8.15	16.0	8.4~9.0	



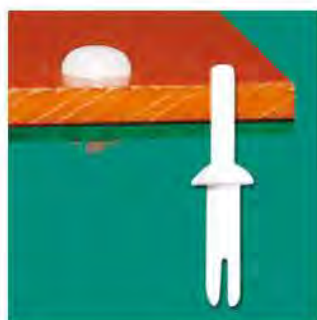
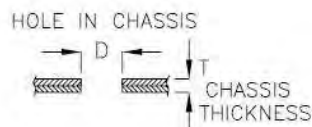
尼龍鉚釘 SNAP RIVET

- MATERIAL: NYLON 66(UL)
- FLAME CLASS: 94V-2
- COLOR: NATURAL

5-31-2



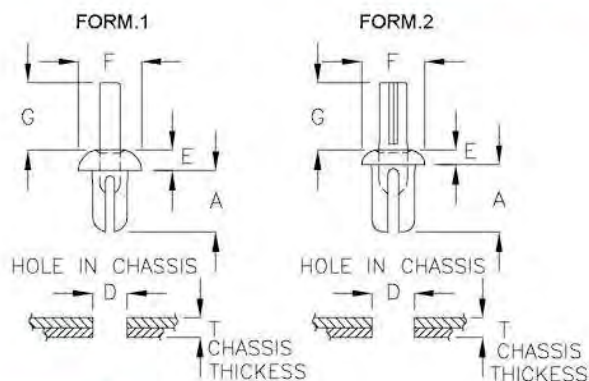
PART NO	A	D HOLE IN CHASSIS	F	T CHASSIS THICKNESS	PACKAGE
MAB-3A	8.0	ø4.0	ø6.0	0.8~1.2	2000



鉚釘 SNAP RIVET

- MATERIAL: POM
- COLOR: NATURAL

5-31-3



PART NO	A	D HOLE IN CHASSIS	E	F	G	T CHASSIS THICKNESS	FORM	PACKAGE
SRX-3DF	7.0	ø3.0	2.0	ø5.6	8.8	2.0~3.0	1	2000
SRX-3A	7.05	ø3.6	2.0	ø6.2	8.8	2.0~5.0	1	
SRX-4P	7.0	ø4.0	2.0	ø6.6	8.8	2.0~5.0	1	
SRX-5M	7.1	ø5.0	2.0	ø7.6	8.8	2.0~5.0	2	
SRX-6K	7.1	ø6.0	2.0	ø8.6	8.8	2.0~5.0	2	

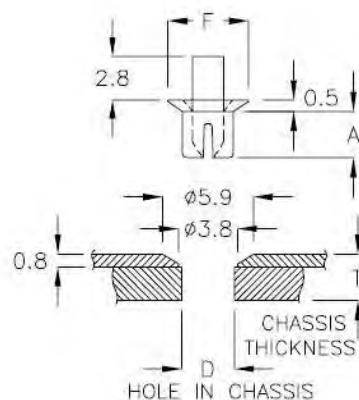


鉚釘 SNAP RIVET

- MATERIAL: NYLON 66(UL)
- FLAME CLASS: 94V-2
- COLOR: BLACK

5-32-1

PART NO	A	D HOLE IN CHASSIS	F	T CHASSIS THICKNESS	PACKAGE
SRXD-3A	3.0	ø3.4	ø5.2	2.95	2000

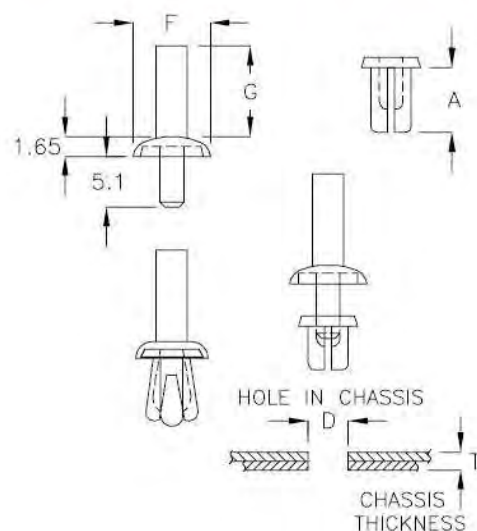


尼龍鉚釘 SNAP RIVET

- MATERIAL: NYLON 66(UL)
- FLAME CLASS: 94V-2
- COLOR: BLACK

5-32-2

PART NO	A	D HOLE IN CHASSIS	F	G	T CHASSIS THICKNESS	PACKAGE
SR-3FK	3.5	ø3.5	ø8.0	10.0	1.0~1.5	2000

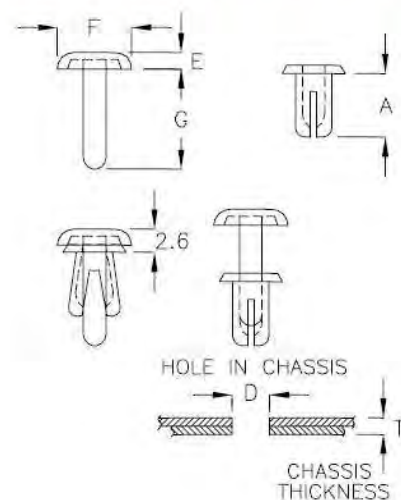


尼龍鉚釘 SNAP RIVET

- MATERIAL: NYLON 66(UL)
- FLAME CLASS: 94V-2
- COLOR: BLACK

5-32-3

PART NO	A	D HOLE IN CHASSIS	E	F	G	T CHASSIS THICKNESS	PACKAGE
SR-4RK	7.0	ø4.0	1.8	ø8.2	11.0	4.5~5.4	2000

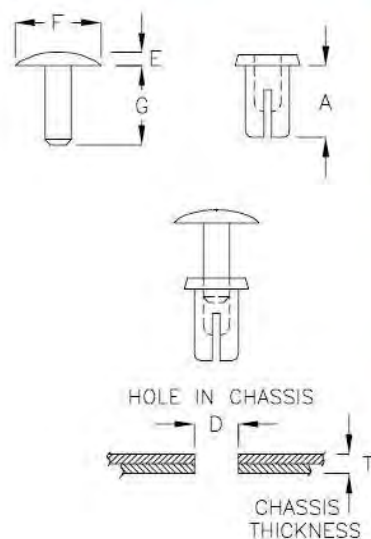




尼龍鉚釘 SNAP RIVET

- MATERIAL: NYLON 66(UL)
- FLAME CLASS: 94V-2
- COLOR: BLACK

5-33-1



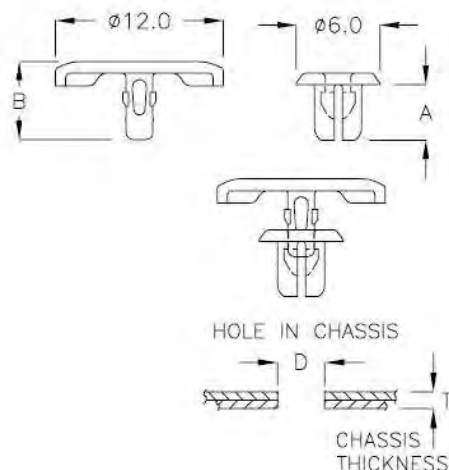
PART NO	A	D HOLE IN CHASSIS	E	F	G	T CHASSIS THICKNESS	PACKAGE
SR-04C	8.0	∅4.2	0.75	∅7.0	10.75	3.8~5.6	2000
SR-4CK	8.0	∅4.05	1.0	∅7.0	11.0	2.4~5.9	
SR-4LC	12.4	∅4.0	0.9	∅5.4	14.7	7.5~8.5	



尼龍鉚釘 SNAP RIVET

- MALE MATERIAL: PC(UL)
- FLAME CLASS: 94V-0
- COLOR: WHITE
- FEMALE MATERIAL: NYLON 66(UL)
- FLAME CLASS: 94V-0
- COLOR: NATURAL

5-33-2



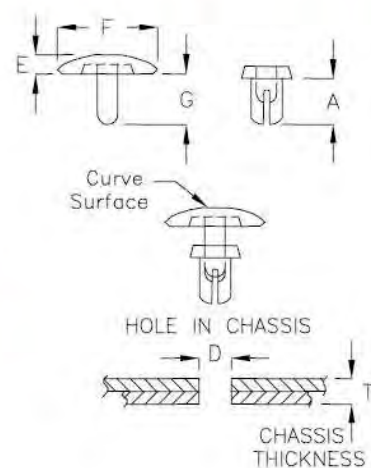
PART NO	A	B	D HOLE IN CHASSIS	T CHASSIS THICKNESS	PACKAGE
SRMQ-3BW	4.0	5.6	∅3.5	1.9~2.3	1000



鉚釘 SNAP RIVET

- SR-3SP MALE COLOR: WHITE
- SR-3SP FEMALE COLOR: NATURAL
- SR-3PF COLOR: BLACK

5-33-3



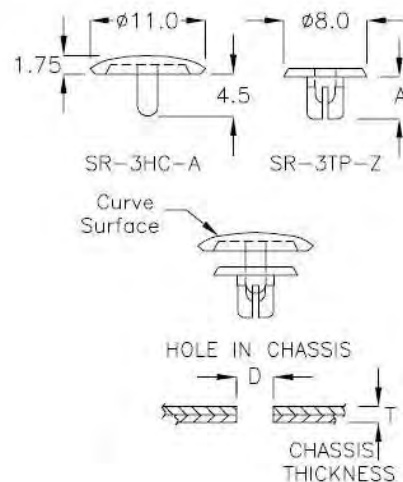
PART NO	MATERIAL		A	D HOLE IN CHASSIS	E	F	G	T CHASSIS THICKNESS	PACKAGE
SR-3SP	MALE	PC V0	4.3	∅3.0	1.75	∅9.4	4.7	1.2~2.0	2000
	FEMALE	N66 V0							
SR-3PF	N66 V2		3.65	∅3.2	1.6	∅8.5	5.0	1.5~1.8	



尼龍鉚釘 SNAP RIVET

5-34-1

- MALE MATERIAL: PC(UL)
- FLAME CLASS: 94V-0
- COLOR: WHITE
- FEMALE MATERIAL: NYLON 66(UL)
- FLAME CLASS: 94V-0
- COLOR: NATURAL



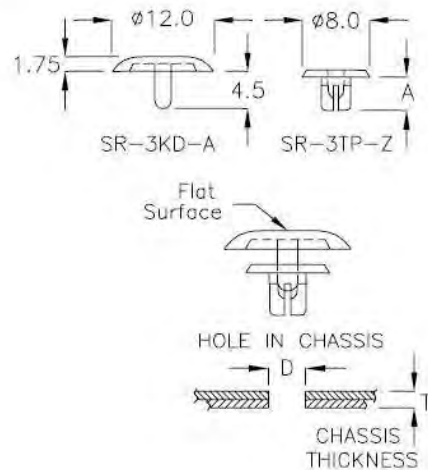
PART NO	A	D HOLE IN CHASSIS	T CHASSIS THICKNESS	PACKAGE
SR-3HC-A	4.0	ø3.5	1.9~2.3	2000
SR-3TP-Z				



尼龍鉚釘 SNAP RIVET

5-34-2

- MALE MATERIAL: PC(UL)
- FLAME CLASS: 94V-0
- COLOR: WHITE
- FEMALE MATERIAL: NYLON 66(UL)
- FLAME CLASS: 94V-0
- COLOR: NATURAL



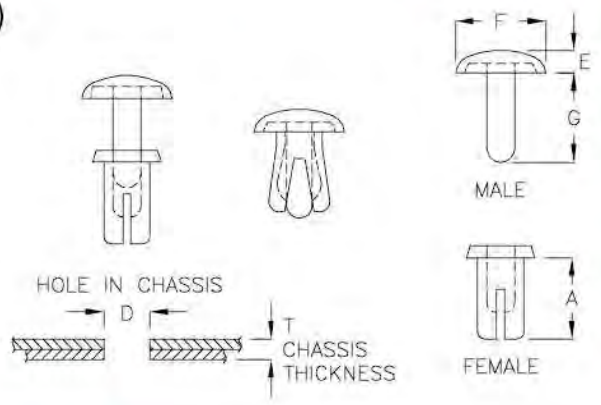
PART NO	A	D HOLE IN CHASSIS	T CHASSIS THICKNESS	PACKAGE
SR-3KD-A	4.0	ø3.5	1.9~2.3	2000
SR-3TP-Z				



尼龍鉚釘 SNAP RIVET

5-35-1

- MATERIAL: NYLON 66(UL)
- MATERIAL: NYLON 46(UL)
- FLAME CLASS: 94V-2
- COLOR: BLACK



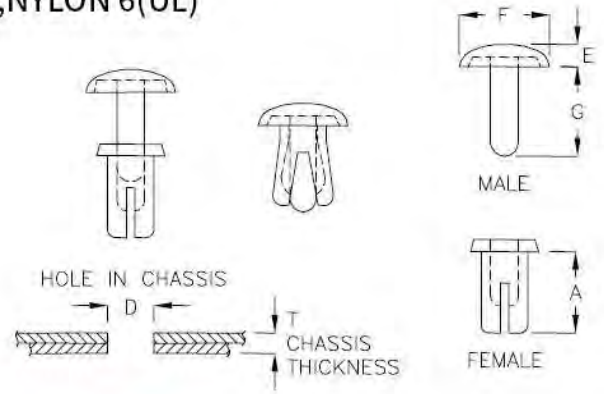
PART NO	A	D HOLE IN CHASSIS	T CHASSIS THICKNESS	E	F	G	MATERIAL	PACKAGE
SR-1FM	3.5	∅1.5	2.0~2.5	1.2	∅4.0	3.3	N66	2000
SR-2CW	3.3	∅1.9	1.6~2.0	1.2	∅4.3	3.6		
SR-2XC	3.25	∅2.0	1.0~1.7	1.2	∅4.3	4.2		
SR-2	3.3	∅2.0	1.0~1.7	1.2	∅4.3	4.2		
SR-2AF	3.6	∅2.0	1.5~2.0	1.2	∅4.3	3.6		
SR-2BT	4.0	∅2.0	1.8~2.5	1.2	∅4.3	4.5		
SR-2DS	4.5	∅2.0	2.2~3.0	1.2	∅4.3	5.0		
SR-2FR	5.5	∅2.0	2.5~3.5	1.2	∅4.3	5.8		
SR-2K	6.1	∅2.0	3.5~4.5	1.2	∅4.3	6.2		
SR-2F	2.8	∅2.1	0.6~1.2	1.2	∅4.3	3.6		
SR-2H	4.4	∅2.1	1.7~2.8	1.2	∅4.3	5.2		
SR-2J	5.2	∅2.1	2.8~3.6	1.2	∅4.3	6.5		
SR-2RC	4.7	∅2.2	2.8~3.3	1.2	∅4.3	5.5		
SR-2GQ	3.5	∅2.5	0.5~1.0	1.5	∅5.0	3.5		
SR-2HY	4.0	∅2.5	0.8~1.6	1.5	∅5.0	4.3		
SR-2.5S	4.5	∅2.5	0.8~2.5	1.5	∅5.0	4.5		
SR-2JB	5.0	∅2.5	2.0~3.0	1.5	∅5.0	5.5		
SR-2KY	5.5	∅2.5	2.5~3.5	1.5	∅5.0	6.0		
SR-2NT	6.0	∅2.5	3.0~4.0	1.5	∅5.0	6.5		
SR-2GF	4.2	∅2.6	2.0~3.0	1.45	∅5.0	4.75		
SR-2.5	4.4	∅2.6	2.0~2.8	1.5	∅5.0	4.5		
SR-2PD	4.8	∅2.6	2.5~3.4	1.4	∅5.0	4.85		
SR-2.7F	3.6	∅2.7	1.0~2.0	1.5	∅5.0	4.0		
SR-2.7H	5.2	∅2.7	2.7~3.6	1.5	∅5.0	5.6		
SR-2.7J	5.9	∅2.7	3.4~4.3	1.5	∅5.0	6.3		
SR-3AQ	3.5	∅3.0	0.8~1.5	1.65	∅6.2	3.8		
SR-3YK	3.65	∅3.0	1.0~2.0	1.65	∅6.2	5.0		
SR-3S	3.9	∅3.05	1.2~2.2	1.8	∅6.4	5.5		
SR-3CC	4.5	∅3.0	1.0~2.0	1.8	∅6.0	5.5		
SR-3HG	4.5	∅3.0	2.0~3.0	1.6	∅6.4	6.1		
SR-3TY	4.5	∅3.0	2.0~3.0	1.65	∅6.2	6.25		
SR-3MK	5.5	∅3.0	2.0~3.0	1.6	∅6.3	7.05		
SR-3MC	5.5	∅3.0	2.5~3.3	1.6	∅6.3	6.2		
SR-3JW	5.6	∅3.0	3.0~4.0	1.55	∅6.2	6.2		
SR-3M	5.7	∅3.0	2.2~3.5	1.8	∅6.4	5.9		
SR-3Q	5.8	∅3.0	1.6~3.3	2.0	∅6.4	6.5		



尼龍鉚釘 SNAP RIVET

5-36-1

- MATERIAL: NYLON 66(UL)
- MATERIAL: NYLON 46(UL), NYLON 6(UL)
- FLAME CLASS: 94V-2
- COLOR: BLACK



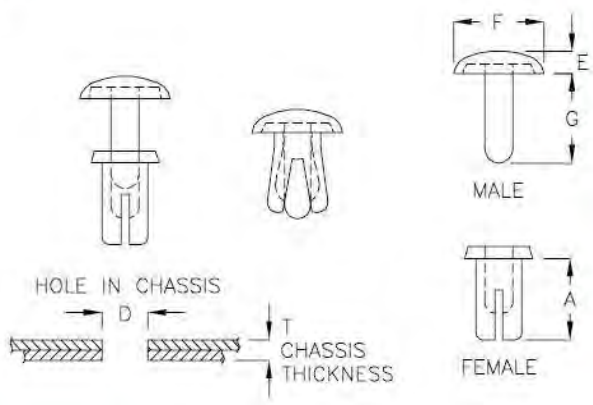
PART NO	A	D HOLE IN CHASSIS	T CHASSIS THICKNESS	E	F	G	MATERIAL	PACKAGE
SR-3LK	5.8	∅3.0	3.5~4.0	1.7	∅5.86	6.1	N66	2000
SR-3L	6.15	∅3.0	1.5~3.5	2.0	∅6.4	6.4		
SR-3XL	6.5	∅3.05	4.0~5.0	1.7	∅6.3	7.5		
SR-3BR	7.0	∅3.0	4.5~5.5	1.7	∅6.2	7.5		
SR-3B	7.5	∅3.0	3.5~4.6	1.7	∅6.2	8.5		
SR-3C	8.0	∅3.0	3.5~5.5	1.6	∅6.2	9.1		
SR-3V	8.3	∅3.0	5.0~6.3	1.6	∅6.2	8.6		
SR-3LC	9.3	∅3.0	6.3~7.3	1.6	∅6.2	9.6		
SR-3MP	10.3	∅3.0	7.3~8.3	1.6	∅6.2	10.6		
SR-3MQ	11.3	∅3.0	8.3~9.3	1.6	∅6.2	11.6	N66 or N46	
SR-3LQ	12.3	∅3.0	9.3~10.3	1.6	∅6.2	12.6	N66	
SR-3QF	13.3	∅3.0	10.3~11.3	1.6	∅6.2	13.6	N66 or N6	
SR-3NR	4.5	∅3.1	2.0~3.0	1.6	∅6.4	6.1	N6	
SR-3FY	4.5	∅3.1	2.0~3.0	1.6	∅6.4	6.1	N66	
SR-3WG	5.5	∅3.1	3.0~4.0	1.6	∅6.4	6.2		
SR-03K	10.5	∅3.1	8.0~8.5	1.2	∅5.9	11.6		
SR-03D	15.6	∅3.1	11.5~12.8	1.7	∅6.3	15.9		
SR-03U	4.5	∅3.2	1.5~3.0	1.8	∅6.2	5.7		
SR-3W	13.0	∅3.3	9.0~10.5	1.7	∅5.3	13.3		
SR-3CL	4.5	∅3.5	2.0~2.5	1.6	∅6.4	6.1		
SR-3	5.7	∅3.5	2.5~4.0	1.8	∅6.7	6.6		
SR-3DX	6.0	∅3.5	3.5~4.5	1.6	∅6.2	6.5		
SR-3FL	6.5	∅3.5	4.5~5.5	1.6	∅6.2	7.0		
SR-3GR	7.0	∅3.5	4.5~5.5	1.6	∅6.2	7.5		
SR-3HA	7.5	∅3.5	5.0~6.0	1.6	∅6.2	8.0		
SR-3NB	8.0	∅3.5	5.5~6.5	1.6	∅6.2	8.5		
SR-3SD	8.5	∅3.5	5.2~6.3	1.8	∅6.7	9.9		
SR-3AC	8.6	∅3.5	5.5~6.5	1.6	∅6.2	8.9		
SR-3MF	9.6	∅3.5	6.5~7.5	1.6	∅6.2	9.9		
SR-3CK	4.5	∅3.6	2.0~2.8	1.6	∅6.4	5.0		
SR-3CF	4.7	∅3.6	2.0~2.8	1.6	∅6.4	5.0		
SR-3DR	5.1	∅3.6	2.7~3.6	1.65	∅6.3	6.25		N6
SR-3DK	7.0	∅3.6	4.3~5.3	1.6	∅6.4	7.5		N66
SR-3WJ	9.3	∅3.8	5.0~6.5	1.7	∅6.7	11.3		N6
SR-3KF	6.0	∅3.6	3.7~4.6	1.6	∅6.4	7.1	N6	



尼龍鉚釘 SNAP RIVET

5-37-1

- MATERIAL: NYLON 66(UL)
- MATERIAL: NYLON 46(UL)
- FLAME CLASS: 94V-2
- COLOR: BLACK



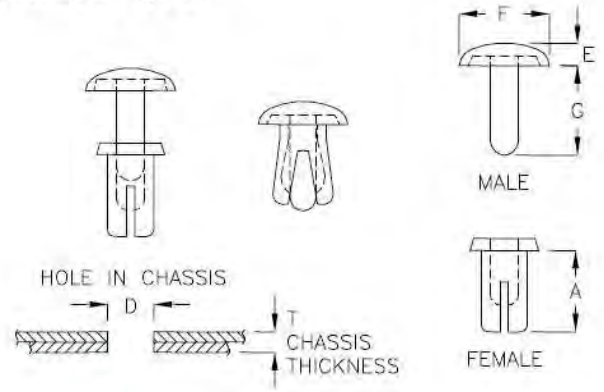
PART NO	A	D HOLE IN CHASSIS	T CHASSIS THICKNESS	E	F	G	MATERIAL	PACKAGE	
SR-4GS	4.4	ø4.0	1.0~2.2	2.1	ø7.9	4.55	N66	2000	
SR-4Q	5.0	ø4.0	1.1~3.1	2.1	ø7.9	6.0			
SR-4QR	5.3	ø4.0	3.0~3.5	1.8	ø7.0	5.35			
SR-4FM	5.5	ø4.0	2.2~2.8	2.1	ø7.9	6.0	N66 or N46		
SR-4TF	5.0	ø4.0	2.5~3.5	1.9	ø7.8	6.2	N66		
SR-4KC	6.0	ø4.0	2.5~3.5	1.9	ø7.7	7.0			
SR-4	6.2	ø4.0	2.0~4.5	1.9	ø7.9	7.3			
SR-4WA	6.2	ø4.0	2.7~4.0	2.0	ø7.9	6.5	N66 or N46		
SR-4HP	6.2	ø4.0	3.5~4.0	1.9	ø7.7	7.2	N66		
SR-4BR	6.5	ø4.0	3.2~3.8	2.1	ø7.9	6.8			
SR-04F	7.0	ø4.0	3.8~4.6	2.0	ø8.0	9.0			
SR-4RW	7.1	ø4.0	4.5~5.0	2.0	ø8.0	8.1			
SR-4LF	7.5	ø4.0	5.0~5.5	1.9	ø7.7	8.5			
SR-4N	7.8	ø4.0	5.4~6.0	1.8	ø8.1	8.8			
SR-4S	8.0	ø4.0	3.5~5.0	1.7	ø7.0	8.8			
SR-4GB	8.1	ø4.0	5.5~6.5	2.0	ø8.0	9.0			
SR-4YH	8.5	ø4.0	5.2~5.8	2.1	ø7.9	8.8			
SR-4PW	9.0	ø4.0	6.5~7.5	2.0	ø8.0	10.2			
SR-4M	9.7	ø4.0	6.0~7.0	1.7	ø7.0	11.1			
SR-4J	10.0	ø4.0	5.5~7.6	1.8	ø8.2	11.0			
SR-4QP	10.0	ø4.0	7.5~8.5	2.0	ø8.0	10.5			
SR-4FQ	11.4	ø4.0	8.5~9.5	1.95	ø8.0	11.9			N66 or N46
SR-4L	12.4	ø4.0	7.5~8.5	1.7	ø7.9	14.1			N66
SR-4XN	12.4	ø4.0	7.8~8.5	1.7	ø5.5	14.1			
SR-4MK	12.4	ø4.0	9.5~10.5	1.95	ø8.0	12.9			
SR-4QJ	13.4	ø4.0	10.5~11.5	1.95	ø8.0	13.9			
SR-04D	15.6	ø4.0	11.2~12.5	1.7	ø6.7	15.9			
SR-4PT	20.0	ø4.0	15.0~17.5	1.9	ø8.0	20.3			



尼龍鉚釘 SNAP RIVET

5-38-1

- MATERIAL: NYLON 66(UL)
- MATERIAL: NYLON 46(UL), NYLON 6(UL)
- FLAME CLASS: 94V-2
- COLOR: BLACK



PART NO	A	D HOLE IN CHASSIS	T CHASSIS THICKNESS	E	F	G	MATERIAL	PACKAGE
SR-4PK	20.0	∅4.0	17.5~18.0	1.7	∅6.8	20.3	N66	2000
SR-4PH	21.0	∅4.0	18.0~18.5	1.7	∅6.8	21.3		
SR-4HK	5.1	∅4.1	2.0~3.2	1.8	∅8.15	6.3		
SR-4LK	6.1	∅4.1	3.5~4.2	1.8	∅8.15	7.1		
SR-4FK	7.0	∅4.1	4.5~5.4	1.8	∅8.0	7.5		
SR-4JK	8.9	∅4.1	5.6~6.6	1.8	∅8.1	10.9		
SR-4JM	9.9	∅4.1	7.5~8.3	1.8	∅8.1	10.9		
SR-4TQ	11.4	∅4.1	8.5~9.5	2.0	∅7.9	11.9	N46	
SR-4KS	8.3	∅4.3	4.0~6.0	1.7	∅7.6	10.2	N66	
SR-4KT	8.3	∅4.3	4.0~6.0	1.7	∅9.6	10.2		
SR-04I	10.5	∅4.3	7.1~8.1	2.0	∅7.9	12.5		
SR-4SF	12.3	∅4.3	8.0~9.0	1.2	∅5.9	13.8		
SR-4LT	10.2	∅4.5	5.0~6.0	1.7	∅7.9	12.1		
SR-4LA	12.3	∅4.5	7.8~9.0	1.7	∅7.9	14.1		
SR-5S	4.6	∅5.0	1.0~2.0	2.1	∅8.9	6.7		
SR-5YN	5.5	∅5.0	2.0~3.0	2.2	∅8.3	5.7		
SR-5TC	5.5	∅5.0	2.5~3.5	2.2	∅8.9	6.0		
SR-5	7.7	∅5.0	3.8~5.0	2.2	∅8.9	8.3		
SR-05F	4.7	∅5.1	1.5~2.5	2.2	∅9.0	5.5		
SR-05M	5.5	∅5.1	2.5~3.2	2.2	∅9.0	6.0		
SR-05D	6.5	∅5.1	3.5~4.3	2.2	∅9.0	7.0		
SR-05H	7.7	∅5.1	4.5~5.5	2.2	∅9.0	8.5		
SR-05J	8.7	∅5.1	5.5~6.5	2.3	∅9.1	9.5		
SR-05K	9.7	∅5.1	6.5~7.5	2.3	∅9.1	10.6		
SR-05L	10.7	∅5.1	7.5~8.5	2.2	∅9.0	11.5		
SR-6MD	6.2	∅6.0	2.5~4.0	2.5	∅12.0	8.9	N66	1000
SR-6NT	6.2	∅6.1	2.5~4.0	2.5	∅12.0	8.9	N6	
SR-07C	11.2	∅7.0	8.0~9.0	1.8	∅12.0	12.0	N66	2000

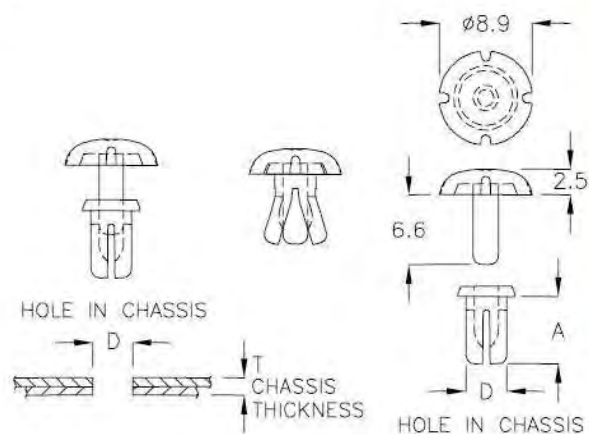


尼龍鉚釘 SNAP RIVET

5-39-1

- MATERIAL: NYLON 46(UL)
- FLAME CLASS: 94V-2
- COLOR: BLACK

PART NO	A	D HOLE IN CHASSIS	T CHASSIS THICKNESS	PACKAGE
SR-4AH	6.4	∅4.0	3.5~4.5	2000

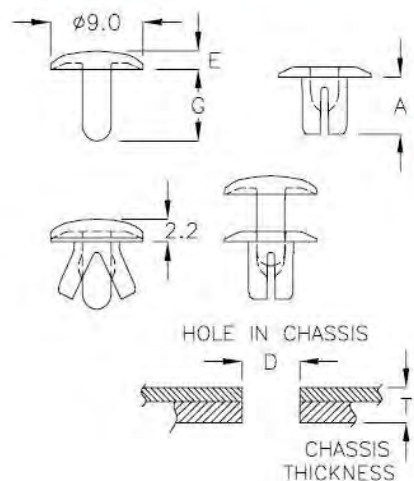


尼龍鉚釘 SNAP RIVET

5-39-2

- MATERIAL: NYLON 66(UL)
- FLAME CLASS: 94V-2
- COLOR: BLACK

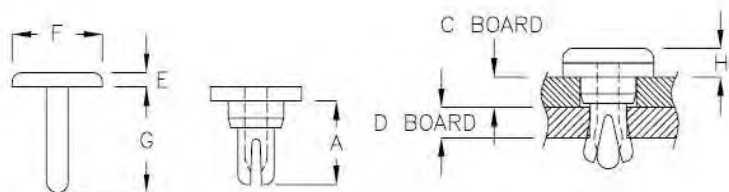
PART NO	A	D HOLE IN CHASSIS	E	G	T CHASSIS THICKNESS	PACKAGE
SR-4ZT	5.5	∅4.5	1.8	6.9	1.5~3.0	2000



尼龍鉚釘 SNAP RIVET

5-39-3

- MATERIAL: NYLON 66(UL)
- FLAME CLASS: 94V-2
- COLOR: BLACK



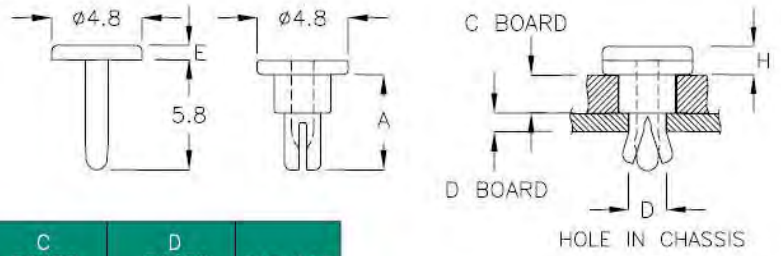
PART NO	A	C BOARD HOLE DIA	D BOARD HOLE DIA	C BOARD THICKNESS	D BOARD THICKNESS	E	F	G	H	PACKAGE
SRFK-2H	3.3	∅2.4	∅1.8	1.1	1.0~1.2	0.5	∅3.5	4.3	1.0	2000
SRFK-2D	4.4	∅3.0	∅2.0	1.6	0.8~1.6	0.75	∅4.8	5.6	1.5	
SRFK-2C	5.4	∅3.0	∅2.0	2.6	0.8~1.6	0.75	∅4.8	6.6	1.5	
SRFK-2F	6.4	∅3.0	∅2.0	3.6	0.8~1.6	0.75	∅4.8	7.6	1.5	



尼龍鉚釘 SNAP RIVET

5-40-1

- MATERIAL: NYLON 66(UL)
- FLAME CLASS: 94V-2
- COLOR: NATURAL



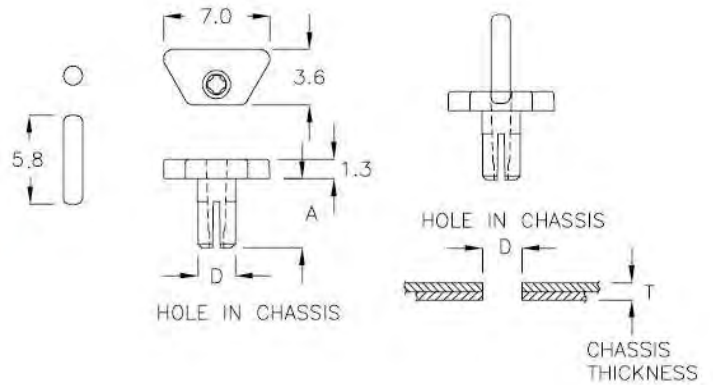
PART NO	A	E	H	C BOARD HOLE DIA	D BOARD HOLE DIA	C BOARD THICKNESS	D BOARD THICKNESS	PACKAGE
SRFK-2RT	5.0	0.75	1.5	φ3.0	φ2.0	2.1	0.8~1.6	2000



尼龍鉚釘 SNAP RIVET

5-40-2

- MATERIAL: NYLON 66(UL)
- FLAME CLASS: 94V-2
- COLOR: BLACK



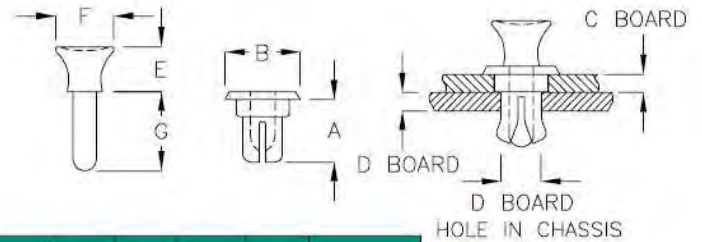
PART NO	HOLE D	A	T CHASSIS THICKNESS	PACKAGE
STR-4C	φ2.6	4.5	3.0~3.1	2000



固定扣 NIFLATCH

5-40-3

- MATERIAL: NYLON 66(UL)
- FLAME CLASS: 94V-2
- COLOR: BLACK



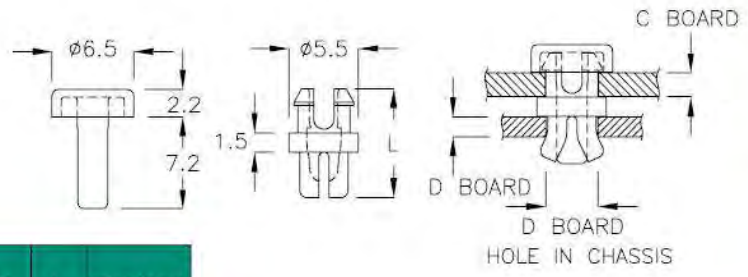
PART NO	A	B	C BOARD HOLE DIA	D BOARD HOLE DIA	C BOARD THICKNESS	D BOARD THICKNESS	E	F	G	PACKAGE
SRDW-2H	3.3	φ4.8	φ2.4	φ1.8	1.1	1.0~1.2	3.0	φ4.0	4.3	2000
SRDW-2D	4.4	φ4.8	φ3.0	φ2.0	1.6	0.8~1.6	3.5	φ4.5	5.6	
SRDW-2C	5.4	φ4.8	φ3.0	φ2.0	2.6	0.8~1.6	3.5	φ4.5	6.6	
SRDW-2F	6.4	φ4.8	φ3.0	φ2.0	3.6	0.8~1.6	3.5	φ4.5	7.6	
SR-4KK	7.0	φ8.5	φ6.0	φ4.5	2.0	2.0	5.0	φ6.6	8.9	



尼龍鉚釘 SNAP RIVET

5-41-1

- MATERIAL: NYLON 66(UL)
- FLAME CLASS: 94V-2
- COLOR: BLACK



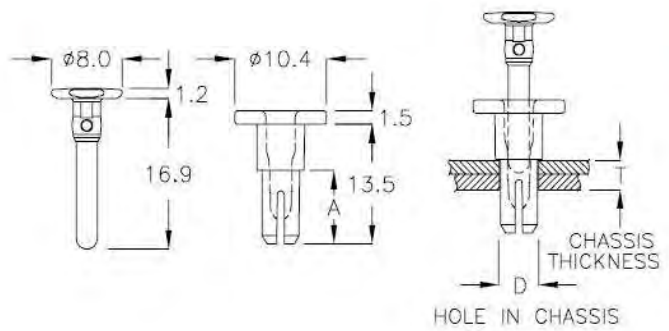
PART NO	C BOARD HOLE DIA	D BOARD HOLE DIA	C BOARD THICKNESS	D BOARD THICKNESS	L	PACKAGE
SRQM-4C	$\phi 4.2$	$\phi 4.0$	2.0	1.6	8.6	500



尼龍鉚釘 SNAP RIVET

5-41-2

- MATERIAL: NYLON 66(UL)
- FLAME CLASS: 94V-2
- COLOR: BLACK



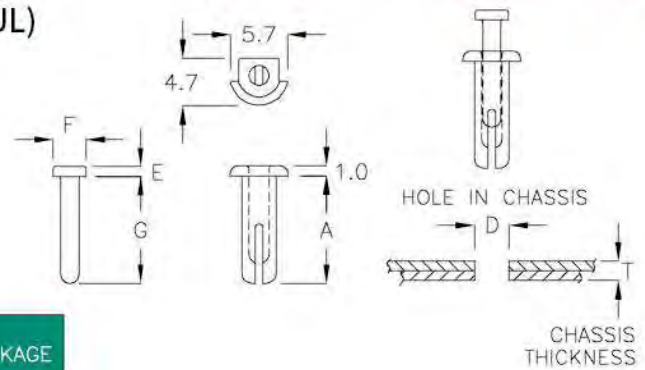
PART NO	A	D HOLE IN CHASSIS	T CHASSIS THICKNESS	PACKAGE
SRMD-4Q	8.3	$\phi 4.5$	4.0	2000



尼龍鉚釘 SNAP RIVET

5-41-3

- MATERIAL: NYLON 66(UL)
- FLAME CLASS: 94V-2
- COLOR: BLACK



PART NO	A	D HOLE IN CHASSIS	E	F	G	T CHASSIS THICKNESS	PACKAGE
SRQ-3AH	10.5	$\phi 3.5$	1.0	$\phi 3.4$	11.0	8.0	2000
SRQ-3PT	12.0	$\phi 3.5$	1.0	$\phi 3.4$	13.0	8.0	

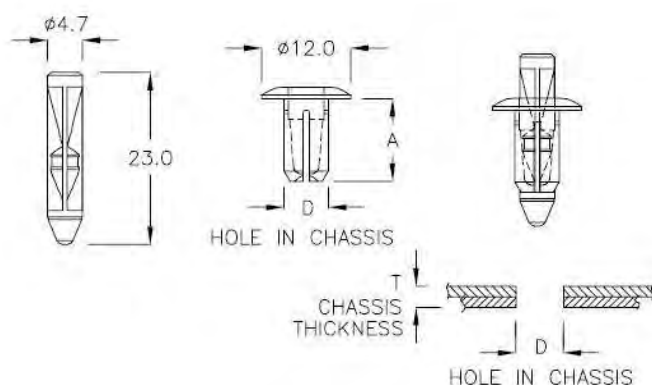


尼龍鉚釘 SNAP RIVET

5-42-1

- MATERIAL: NYLON 66(UL)
- FLAME CLASS: 94V-2
- COLOR: BLACK

PART NO	A	D HOLE IN CHASSIS	T CHASSIS THICKNESS	PACKAGE
SR-12A	11.0	∅6.1	7.7~8.3	2000

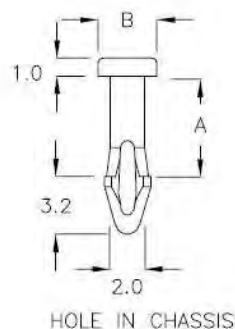


鉚釘 CANOE CLIP

5-42-2

- MATERIAL: NYLON 66(UL)
- FLAME CLASS: 94V-2
- COLOR: NATURAL

PART NO	A	B	T CHASSIS THICKNESS	PACKAGE
MB-05F	5.6	∅3.3	5.4	2000

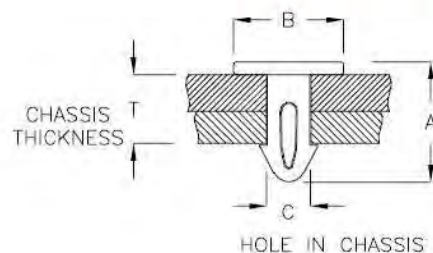


鉚釘 CANOE CLIP

5-42-3

- MATERIAL: NYLON 66(UL)
- FLAME CLASS: 94V-2
- COLOR: NATURAL

PART NO	A	B	C	T CHASSIS THICKNESS	PACKAGE
MBL-4HW	5.05	5.2	∅2.1	2.5	2000
MBL-5FQ	5.65	5.2	∅2.1	3.1	

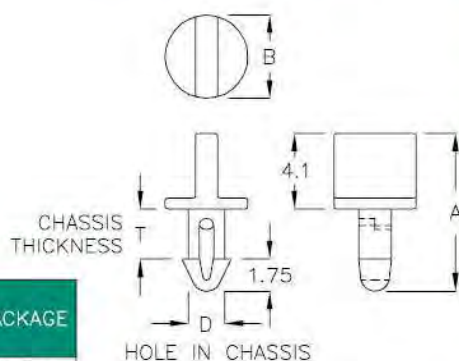




鉚釘 CANOE CLIP

5-43-1

- MATERIAL: NYLON 66(UL)
- FLAME CLASS: 94V-0
- COLOR: BLACK



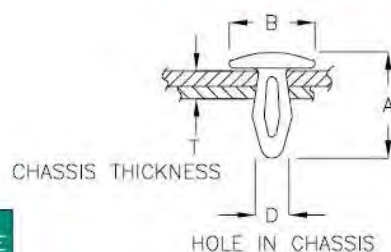
PART NO	A	B	D HOLE IN CHASSIS	T CHASSIS THICKNESS	PACKAGE
MBL-4JC	8.55	ø4.5	ø2.1	2.5	2000



鉚釘 CANOE CLIP

5-43-2

- MATERIAL: NYLON 66(UL)
- FLAME CLASS: 94V-2
- COLOR: NATURAL



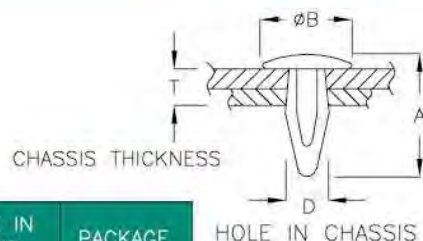
PART NO	A	B	T CHASSIS THICKNESS	D HOLE IN CHASSIS	PACKAGE
MB-01F	7.4	ø4.8	2.4~2.7	ø2.37	2000
MB-04C	15.4	ø9.0	4.3~4.8	ø4.5	1000
MB-05A	14.7	ø12.0	0.7~1.2	ø5.0	
MB-05D	15.3	ø12.0	0.7~1.0	ø5.0	



鉚釘 CANOE CLIP

5-43-3

- MATERIAL: NYLON 66(UL)
- FLAME CLASS: 94V-2
- COLOR: NATURAL



PART NO	A	B	T CHASSIS THICKNESS	D HOLE IN CHASSIS	PACKAGE
MB-1	9.7	ø7.4	2.0~3.5	ø3.0~ø3.2	2000
MB-1A	9.7	ø6.8	1.1~1.7	ø3.1~ø3.2	
MB-1C	6.2	ø6.9	1.6~2.0	ø2.95~ø3.0	
MB-1D	6.8	ø7.0	1.6~1.9	ø3.15~ø3.2	
MB-1S	7.2	ø7.0	1.5~2.1	ø3.1~ø3.2	
MB-01H	10.3	ø7.7	3.0~3.2	ø3.3~ø3.4	
MB-2	10.3	ø7.9	3.5~4.0	ø3.5~ø3.7	
MB-2S	10.3	ø7.8	2.8~3.8	ø3.2~ø3.4	
MB-3	12.4	ø7.7	3.2~5.0	ø3.7~ø3.8	
MB-3FC	7.5	ø5.6	2.4~2.7	ø2.95~ø3.05	
MB-3KA	7.5	ø6.0	2.4~2.7	ø3.45~ø3.55	
MB-4	12.9	ø10.0	2.1~3.7	ø3.9~ø4.05	
MB-04Q	9.0	ø6.0	2.5~3.5	ø3.8~ø4.0	1000
MB-5S	10.9	ø10.0	1.6~2.1	ø3.2~ø3.25	
MB-05C	13.2	ø12.7	2.5~3.5	ø4.0~ø4.05	
MB-11A	12.6	ø9.5	2.5~4.0	ø4.65~ø4.8	2000
MB-12	12.0	ø7.4	1.6~2.1	ø3.3~ø3.4	

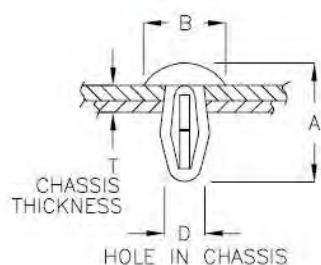


鉚釘 CANOE CLIP

5-44-1

- MATERIAL: NYLON 66(UL)
- FLAME CLASS: 94V-2
- COLOR: NATURAL

PART NO	A	B	T CHASSIS THICKNESS	D HOLE IN CHASSIS	PACKAGE
MB-2K	8.6	∅5.8	2.8~3.0	∅3.2~∅3.3	2000

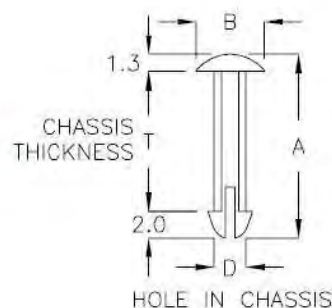


鉚釘 MOUNTING BUTTON

5-44-2

- MATERIAL: NYLON 66(UL)
- FLAME CLASS: 94V-2
- COLOR: NATURAL

PART NO	A	B	T CHASSIS THICKNESS	D HOLE IN CHASSIS	PACKAGE
MB-08K	13.8	∅5.1	10.1	∅2.54	2000
MB-15GH	15.3	∅5.1	11.8	∅2.5	

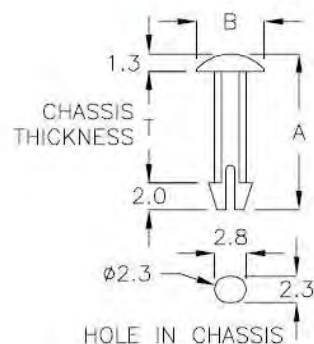


鉚釘 MOUNTING BUTTON

5-44-3

- MATERIAL: NYLON 66(UL)
- FLAME CLASS: 94V-2
- COLOR: NATURAL

PART NO	A	B	T CHASSIS THICKNESS	PACKAGE
MB-2GC	6.2	∅4.0	2.7	2000
MB-08R	11.7	∅5.1	8.2	

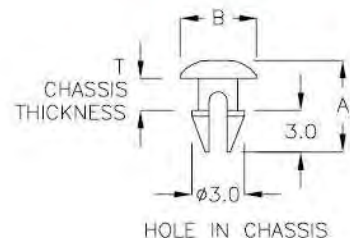


鉚釘 CANOE CLIP

5-44-4

- MATERIAL: NYLON 66(UL)
- FLAME CLASS: 94V-2
- COLOR: NATURAL

PART NO	A	B	T CHASSIS THICKNESS	PACKAGE
MB-08M	6.6	∅5.5	2.2	2000
MB-8AC	7.9	∅5.5	3.5	
MB-8DK	8.5	∅5.5	4.1	



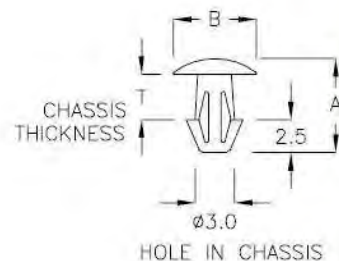


鉚釘 CANOE CLIP

5-45-1

- MATERIAL: NYLON 66(UL)
- FLAME CLASS: 94V-2
- COLOR: NATURAL

PART NO	A	B	T CHASSIS THICKNESS	PACKAGE
MB-08P	7.2	ø6.4	3.2	2000

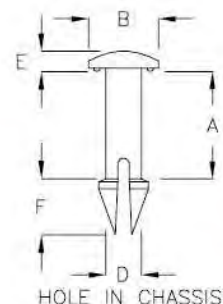


鉚釘 MOUNTING BUTTON

5-45-2

- MATERIAL: NYLON 66(UL)
- FLAME CLASS: 94V-2
- COLOR: NATURAL

PART NO	A	B	D	E	F	T CHASSIS THICKNESS	PACKAGE
MB-8A	7.5	ø5.1	ø3.0	1.8	3.4	7.3	2000
MB-08C	3.5	ø6.2	ø3.0	1.9	3.8	3.4	
MB-08D	4.7	ø6.0	ø3.5	1.5	4.1	4.5	

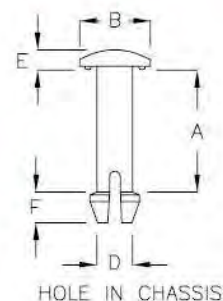


鉚釘 MOUNTING BUTTON

5-45-3

- MATERIAL: NYLON 66(UL)
- FLAME CLASS: 94V-2
- COLOR: NATURAL

PART NO	A	B	D	E	F	CHASSIS THICKNESS	PACKAGE
MB-08G	3.55	ø6.2	ø3.0	1.9	1.4	3.4	2000
MB-08H	8.25	ø5.1	ø3.3	1.4	2.2	8.1	
MB-015	8.8	ø5.1	ø3.0	1.7	2.2	8.6	

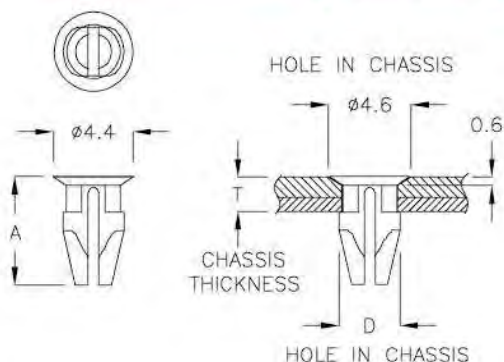


鉚釘 CANOE CLIP

5-45-4

- MATERIAL: NYLON 66(UL)
- FLAME CLASS: 94V-2
- COLOR: BLACK

PART NO	A	D HOLE IN CHASSIS	T CHASSIS THICKNESS	PACKAGE
MB-06	6.0	ø3.0	1.9	2000



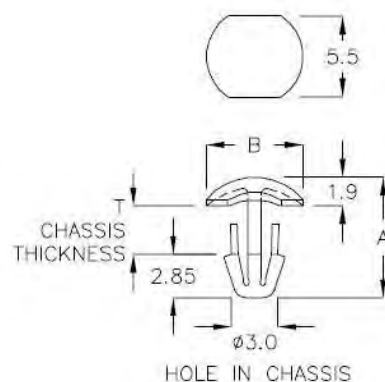


鉚釘 CANOE CLIP

5-46-1

- MATERIAL: NYLON 66(UL)
- FLAME CLASS: 94V-2
- COLOR: NATURAL

PART NO	A	B	T CHASSIS THICKNESS	PACKAGE
MBS-3A	7.95	ø6.4	3.2~3.6	1000

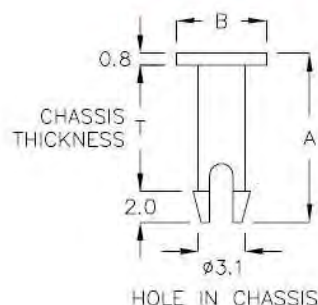


鉚釘 MOUNTING BUTTON

5-46-2

- MATERIAL: NYLON 66(UL)
- FLAME CLASS: 94V-2
- COLOR: NATURAL

PART NO	A	B	T CHASSIS THICKNESS	PACKAGE
MBB-01	10.9	ø5.8	7.9	1000

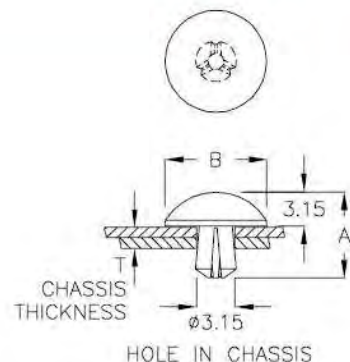


鉚釘 MOUNTING BUTTON

5-46-3

- MATERIAL: NYLON 66(UL)
- FLAME CLASS: 94V-2
- COLOR: NATURAL

PART NO	A	B	T CHASSIS THICKNESS	PACKAGE
MHG-3A	8.0	ø9.5	2.0	2000

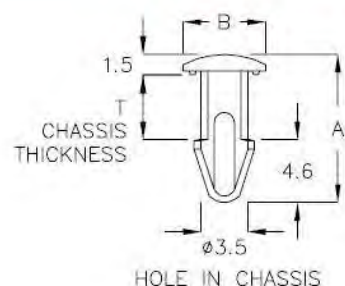


鉚釘 MOUNTING BUTTON

5-46-4

- MATERIAL: NYLON 66(UL)
- FLAME CLASS: 94V-2
- COLOR: NATURAL

PART NO	A	B	T CHASSIS THICKNESS	PACKAGE
MB-08F	10.7	ø6.0	4.5	2000

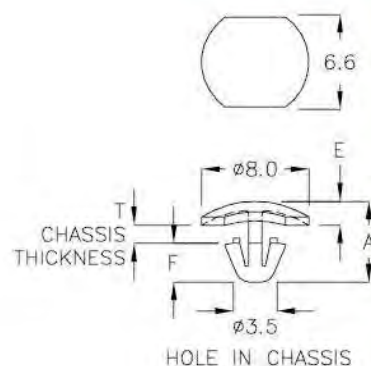




鉚釘 CANOE CLIP ————— | **5-47-1** |

- MATERIAL: NYLON 66(UL)
- FLAME CLASS: 94V-2
- COLOR: NATURAL

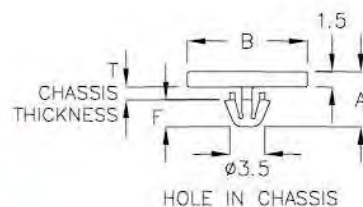
PART NO	A	E	F	T CHASSIS THICKNESS	PACKAGE
MBM-1MY	5.6	2.2	2.85	0.6~0.8	2000
MBM-1A	5.95	1.9	2.85	1.4~1.7	
MBM-2D	6.15	2.2	2.85	1.2~1.4	
MBM-2SA	6.65	2.2	2.85	1.7~1.9	
MBM-3PY	5.7	2.2	2.5	0.9~1.1	



鉚釘 CANOE CLIP ————— | **5-47-2** |

- MATERIAL: PC(UL)
- FLAME CLASS: 94V-0
- COLOR: NATURAL

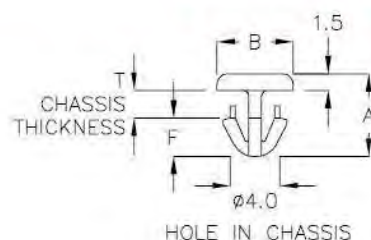
PART NO	A	B	F	T CHASSIS THICKNESS	PACKAGE
MBR-3SQ	5.45	∅12.0	2.65	1.1	2000
MBR-3AC	6.05	∅20.0	3.4	1.0	



鉚釘 CANOE CLIP ————— | **5-47-3** |

- MATERIAL: NYLON 66(UL)
- FLAME CLASS: 94V-2
- COLOR: BLACK

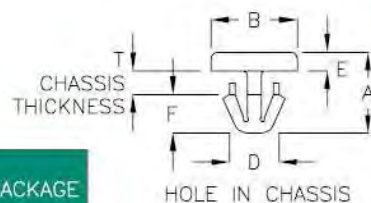
PART NO	A	B	F	T CHASSIS THICKNESS	PACKAGE
MB-07A	7.5	∅7.0	3.5	2.2	2000
MB-7AK	8.3	∅7.0	3.1	3.5	
MB-7DF	9.0	∅7.0	3.1	4.2	



鉚釘 CANOE CLIP ————— | **5-47-4** |

- MATERIAL: NYLON 66(UL)
- FLAME CLASS: 94V-2
- COLOR: NATURAL

PART NO	A	B	D HOLE IN CHASSIS	E	F	T CHASSIS THICKNESS	PACKAGE
MBQ-1A	6.7	∅8.0	∅4.1	1.3	3.5	1.85	2000
MBQ-1DC	6.9	∅7.0	∅4.0	1.5	3.1	2.2	
MBQ-1PM	6.5	∅7.0	∅4.0	1.5	3.1	1.8	
MBQ-1FH	5.8	∅7.0	∅4.0	1.5	3.1	1.0	



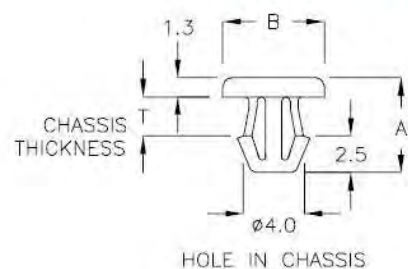


鉚釘 CANOE CLIP

5-48-1

- MATERIAL: NYLON 66(UL)
- FLAME CLASS: 94V-2
- COLOR: BLACK

PART NO	A	B	T CHASSIS THICKNESS	PACKAGE
MBK-4A	6.5	ø7.0	2.4~2.6	2000

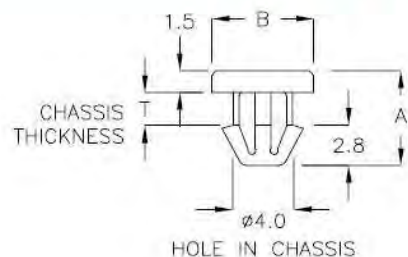


鉚釘 CANOE CLIP

5-48-2

- MATERIAL: NYLON 66(UL)
- FLAME CLASS: 94V-0
- COLOR: NATURAL

PART NO	A	B	T CHASSIS THICKNESS	PACKAGE
MBQ-1RF	6.5	ø7.0	1.6~1.9	2000

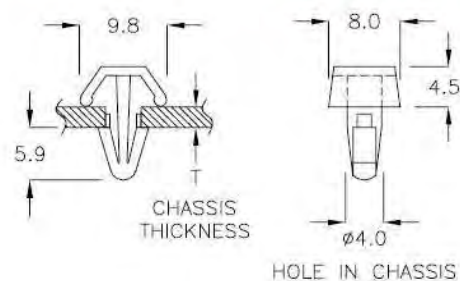


鉚釘 MOUNTING BUTTON

5-48-3

- MATERIAL: NYLON 66(UL)
- FLAME CLASS: 94V-2
- COLOR: NATURAL

PART NO	T CHASSIS THICKNESS	PACKAGE
MB-10	2.5~3.2	1000

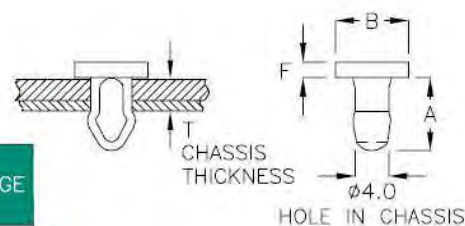


鉚釘 MOUNTING BUTTON

5-48-4

- MATERIAL: NYLON 66(UL)
- FLAME CLASS: 94V-2
- COLOR: BLACK

PART NO	A	B	F	T CHASSIS THICKNESS	PACKAGE
MBC-04	6.9	ø7.0	1.5	3.3	2000
MBC-4AK	5.8	ø7.0	1.5	2.2	
MBC-4DF	7.1	ø7.0	1.5	3.5	
MBC-4KM	8.1	ø7.0	2.0	4.5	

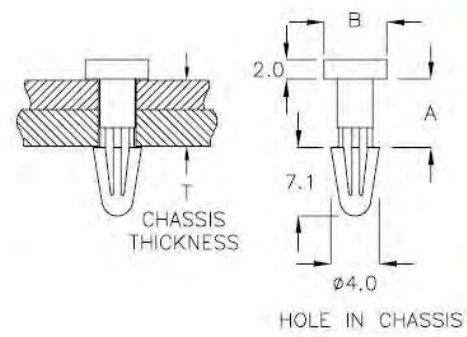




鉚釘 RIVET ————— | **5-49-1** |

- MATERIAL: NYLON 66(UL)
- FLAME CLASS: 94V-2
- COLOR: NATURAL

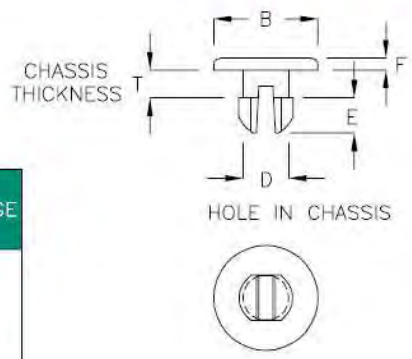
PART NO	A	B	T CHASSIS THICKNESS	PACKAGE
ACK-1A	7.0	ø6.5	6.8	2000



鉚釘 MOUNTING BUTTON ————— | **5-49-2** |

- MATERIAL: NYLON 66(UL)
- FLAME CLASS: 94V-2
- COLOR: NATURAL

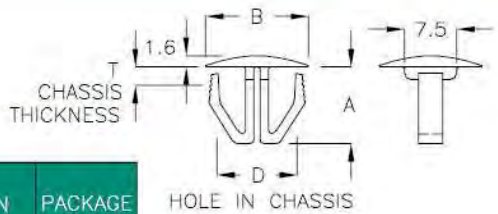
PART NO	B	T CHASSIS THICKNESS	D HOLE IN CHASSIS	E	F	PACKAGE
MB-9S	ø11.7	2.0	ø5.54	4.0	1.3	1000
MB-9	ø11.7	3.0	ø5.54	4.1	1.3	
MB-9K	ø15.1	4.3	ø7.4	4.7	1.3	
MB-09A	ø11.7	5.7	ø5.3	3.9	1.3	
MB-09M	ø8.0	2.6	ø5.0	3.3	0.5	



鉚釘 CANOE CLIP ————— | **5-49-3** |

- MATERIAL: NYLON 66(UL)
- FLAME CLASS: 94V-2
- COLOR: NATURAL

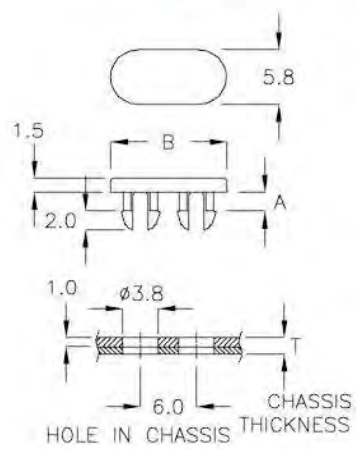
PART NO	A	B	T CHASSIS THICKNESS	D HOLE IN CHASSIS	PACKAGE
MBSK-10A	11.0	ø15.0	0.8~3.2	ø8.5~ø10.0	1000



鉚釘 MOUNTING BUTTON ————— | **5-49-4** |

- MATERIAL: NYLON 66(UL)
- FLAME CLASS: 94V-2
- COLOR: NATURAL

PART NO	A	B	T CHASSIS THICKNESS	PACKAGE
MBP-3JQ	2.0	12.5	1.8	2000

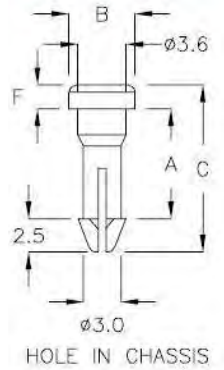




鉚釘 MOUNTING BUTTON 5-50-1

- MATERIAL: NYLON 66(UL)
- FLAME CLASS: 94V-2
- COLOR: BLACK
- HOLE IN HEAT SINK: $\Phi 3.2$
- SPECIFIC SPRING SPEC FOR APPLICATIVE THICKNESS OF CHASSIS

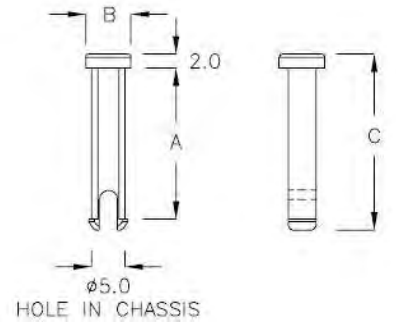
PART NO	A	B	C	F	PACKAGE
MB-08Y	8.3	$\Phi 5.0$	12.55	1.75	2000
MB-15Y	14.6	$\Phi 6.4$	19.85	2.75	



鉚釘 MOUNTING BUTTON 5-50-2

- MATERIAL: NYLON 66(UL)
- FLAME CLASS: 94V-2
- COLOR: BLACK

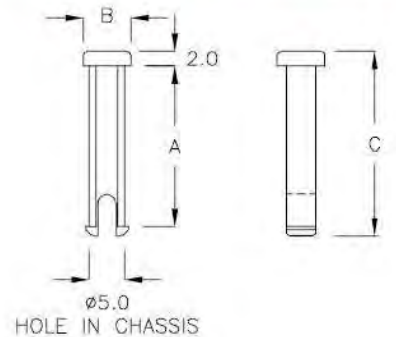
PART NO	A	B	C	PACKAGE
MB-21A	22.0	$\Phi 6.6$	25.6	1000



鉚釘 MOUNTING BUTTON 5-50-3

- MATERIAL: NYLON 66(UL)
- FLAME CLASS: 94V-2
- COLOR: BLACK

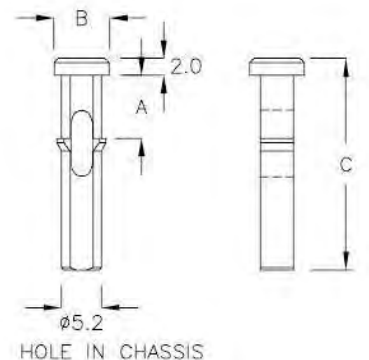
PART NO	A	B	C	PACKAGE
MB-22	22.1	$\Phi 6.6$	25.4	1000



鉚釘 MOUNTING BUTTON 5-50-4

- MATERIAL: NYLON 66(UL)
- FLAME CLASS: 94V-2
- COLOR: BLACK

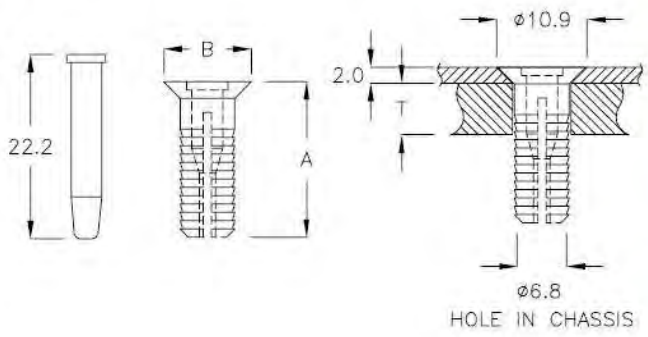
PART NO	A	B	C	PACKAGE
MB-25A	7.6	$\Phi 6.6$	25.4	1000





鉚釘 MOUNTING BUTTON ————— **5-51-1**

- MATERIAL: NYLON 66(UL)
- FLAME CLASS: 94V-2
- COLOR: NATURAL

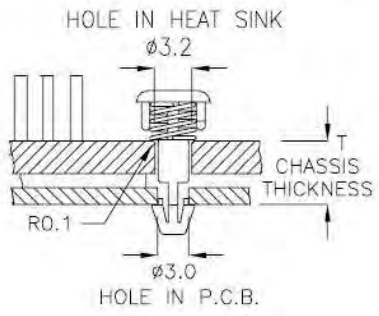
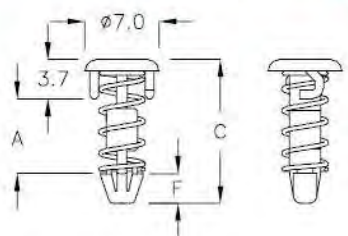


PART NO	A	T CHASSIS THICKNESS	B	PACKAGE
MEK-01	16.7	6.5~7.5	ø10.6	2000



散熱片鉚釘 MOUNTING BUTTON ————— **5-51-2**

- MATERIAL: NYLON 66(UL)
- FLAME CLASS: 94V-2
- COLOR: NATURAL

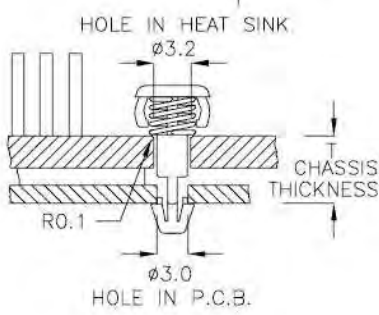
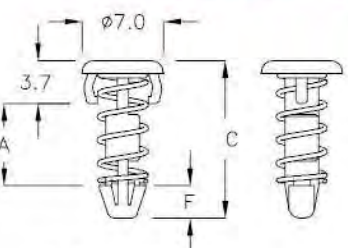


PART NO	A	C	F	T CHASSIS THICKNESS	PACKAGE
MB-05Y	4.2	10.7	2.8	3.0~4.2	2000
MB-07Y	7.0	13.5	2.8	4.5~6.0	
MB-07YA	9.0	15.2	2.5	4.5~7.0	



散熱片鉚釘 MOUNTING BUTTON ————— **5-51-3**

- MATERIAL: NYLON 66(UL)
- FLAME CLASS: 94V-2
- COLOR: NATURAL



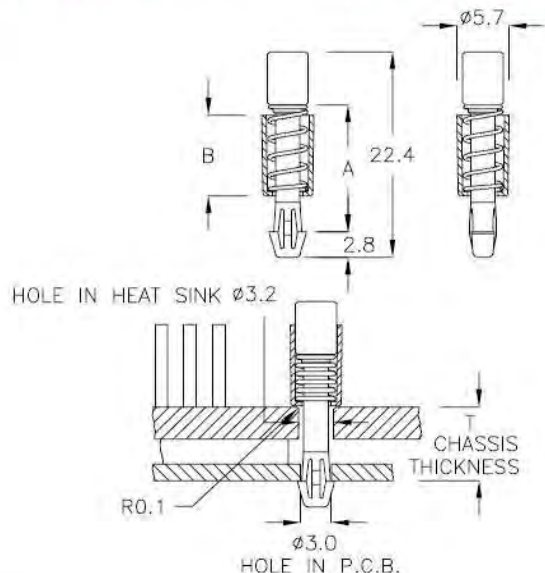
PART NO	A	C	F	T CHASSIS THICKNESS	PACKAGE
MB-07U	7.0	13.5	2.8	4.5~5.5	2000
MB-07UA	9.0	15.2	2.5	4.5~7.0	



散熱片鉚釘 MOUNTING BUTTON 5-52-1

- MATERIAL: NYLON 66(UL)
- FLAME CLASS: 94V-2
- COLOR: BLACK

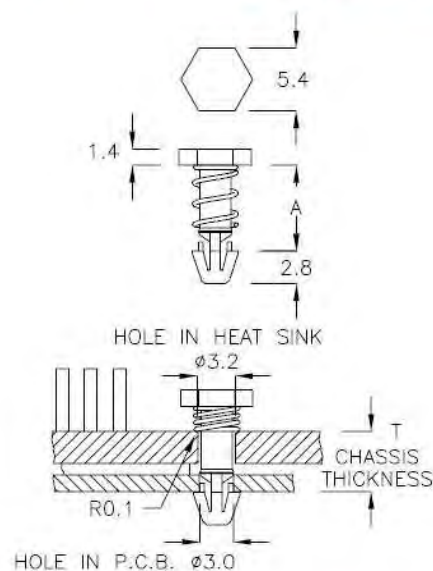
PART NO	A	B	CHASSIS THICKNESS	PACKAGE
MB-08J	13.8	8.8	5.0~8.5	2000



散熱片鉚釘 MOUNTING BUTTON 5-52-2

- MATERIAL: NYLON 66(UL)
- FLAME CLASS: 94V-2
- COLOR: NATURAL, BLACK

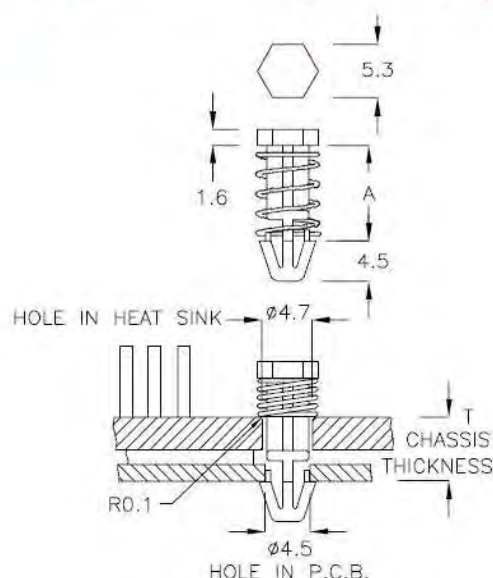
PART NO	A	CHASSIS THICKNESS	PACKAGE
MB-08N	7.4	3.0~4.0	2000



散熱片鉚釘 MOUNTING BUTTON 5-52-3

- MATERIAL: NYLON 66(UL)
- FLAME CLASS: 94V-2
- COLOR: NATURAL

PART NO	A	CHASSIS THICKNESS	PACKAGE
MB-8KP	8.8	3.0~5.3	1000

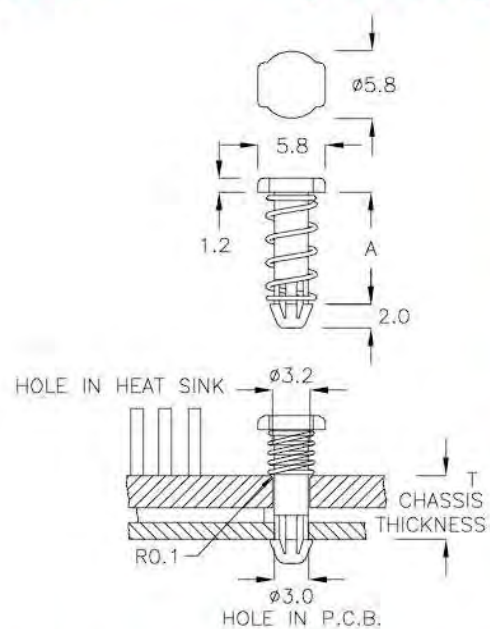




散熱片鉚釘 MOUNTING BUTTON ———— 5-53-1 |

- MATERIAL: NYLON 66(UL)
- FLAME CLASS: 94V-2
- COLOR: NATURAL

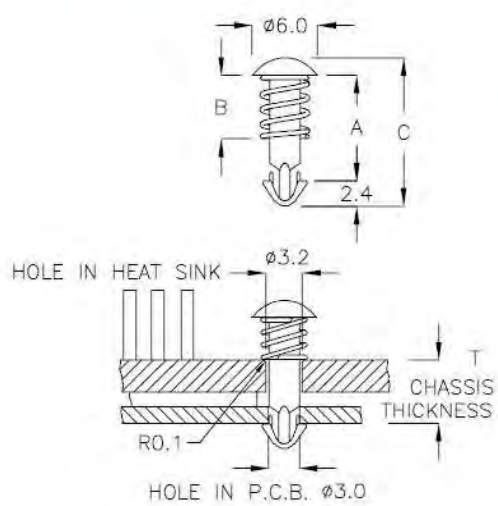
PART NO	A	CHASSIS THICKNESS	PACKAGE
MB-13	9.6	4.5~5.5	1000



散熱片鉚釘 MOUNTING BUTTON ———— 5-53-2 |

- MATERIAL: NYLON 66(UL)
- FLAME CLASS: 94V-2
- COLOR: NATURAL, BLACK

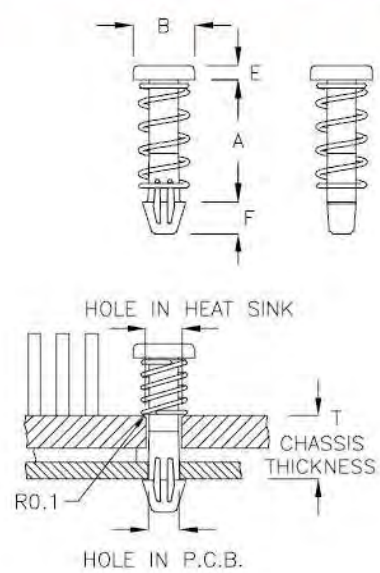
PART NO	A	B	C	CHASSIS THICKNESS	PACKAGE
MB-13A	9.6	7.8	13.5	3.6~5.0	2000
MB-21	17.6	14.7	21.6	7.5~9.0	



散熱片鉚釘 MOUNTING BUTTON ———— 5-53-3 |

- MATERIAL: NYLON 66(UL)
- FLAME CLASS: 94V-2
- COLOR: NATURAL

PART NO	A	B	HOLE IN P.C.B.	HOLE IN HEAT SINK	T CHASSIS THICKNESS	E	F	PACKAGE
MB-15C	12.5	ø6.4	ø3.0	ø3.2	5.5~6.5	1.5	3.3	1000
MB-15K	12.5	ø6.4	ø3.2	ø3.4	4.5~6.5	1.5	3.3	
MB-15F	14.0	ø5.5	ø3.0	ø3.2	7.0~8.0	1.5	2.8	2000

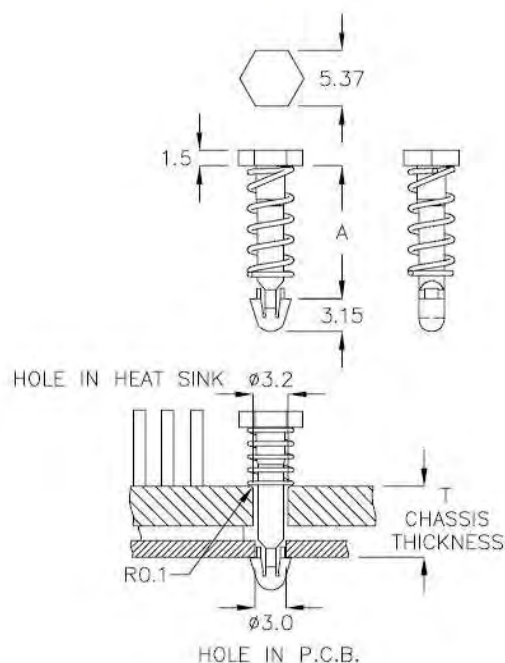




散熱片鉚釘 MOUNTING BUTTON 5-54-1

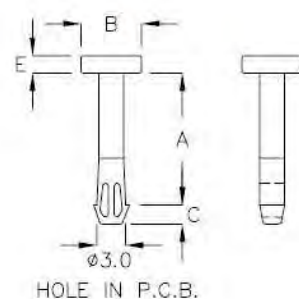
- MATERIAL: NYLON 66(UL)
- FLAME CLASS: 94V-2
- COLOR: NATURAL

PART NO	A	T CHASSIS THICKNESS	PACKAGE
MB-17C	12.9	3.0~5.0	2000



散熱片鉚釘 MOUNTING BUTTON 5-54-2

- MATERIAL: NYLON 66(UL)
- FLAME CLASS: 94V-2
- COLOR: NATURAL
- HOLE IN HEAT SINK: $\Phi 3.2$
- SPECIFIC SPRING SPEC FOR APPLICATIVE THICKNESS OF CHASSIS



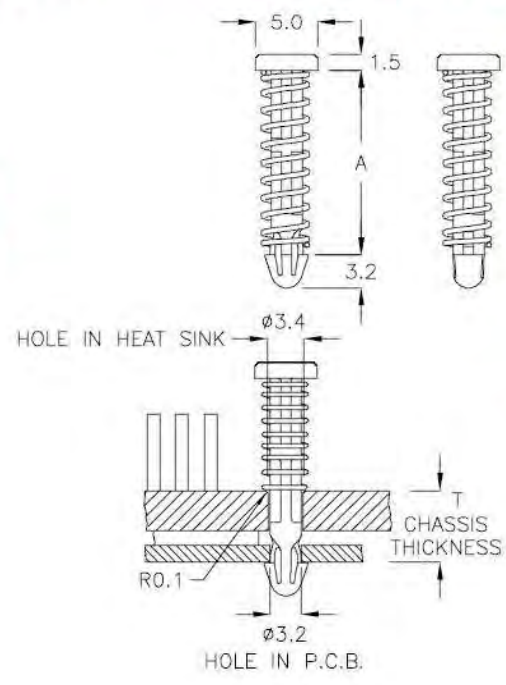
PART NO	A	B	C	E	PACKAGE
MB-11KH	9.0	$\Phi 6.2$	1.5	1.2	2000
MB-14K	9.5	$\Phi 6.4$	3.3	0.9	
MB-14A	9.5	$\Phi 6.4$	3.3	1.5	
MB-13FD	11.0	$\Phi 6.2$	1.5	1.2	
MB-07W	14.0	$\Phi 6.4$	2.0	1.8	
MB-07C	14.0	$\Phi 6.4$	3.3	1.8	
MB-15JQ	14.0	$\Phi 5.5$	1.5	1.5	
MB-15D	15.0	$\Phi 5.0$	2.0	1.8	



散熱片鉚釘 MOUNTING BUTTON ———— 5-55-1 |

- MATERIAL: NYLON 66(UL)
- FLAME CLASS: 94V-2
- COLOR: NATURAL

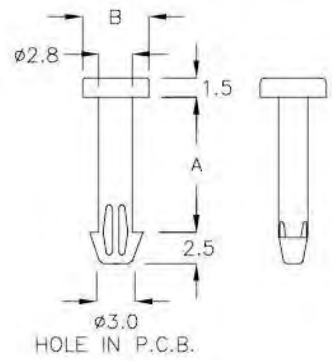
PART NO	A	T CHASSIS THICKNESS	PACKAGE
MB-17KM	17.7	7.5~9.5	1000



散熱片鉚釘 MOUNTING BUTTON ———— 5-55-2 |

- MATERIAL: NYLON 66(UL)
- FLAME CLASS: 94V-2
- COLOR: NATURAL, BLACK
- HOLE IN HEAT SINK: $\phi 3.2$
- SPECIFIC SPRING SPEC FOR APPLICATIVE THICKNESS OF CHASSIS

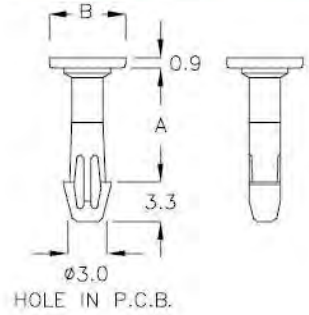
PART NO	A	B	PACKAGE
MB-15A	11.5	$\phi 6.4$	2000
MB-12XQ	8.7	$\phi 6.4$	



散熱片鉚釘 MOUNTING BUTTON ———— 5-55-3 |

- MATERIAL: NYLON 66(UL)
- FLAME CLASS: 94V-2
- COLOR: NATURAL
- HOLE IN HEAT SINK: $\phi 3.2$
- SPECIFIC SPRING SPEC FOR APPLICATIVE THICKNESS OF CHASSIS

PART NO	A	B	PACKAGE
MB-14M	9.5	$\phi 6.4$	2000

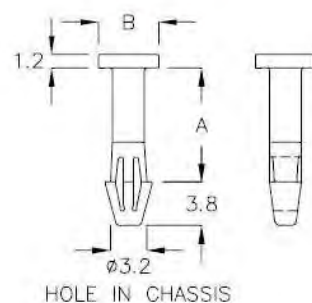




散熱片鉚釘 MOUNTING BUTTON

5-56-1

- MATERIAL: NYLON 66(UL)
- FLAME CLASS: 94V-2
- COLOR: BLACK
- HOLE IN HEAT SINK: $\Phi 3.4$
- SPECIFIC SPRING SPEC FOR APPLICATIVE THICKNESS OF CHASSIS



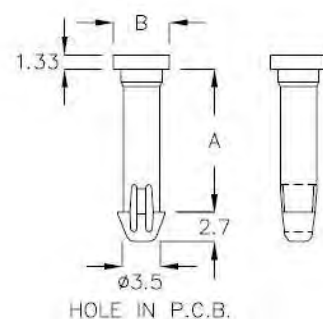
PART NO	A	B	PACKAGE
MB-15NK	10.0	$\phi 5.3$	2000



散熱片鉚釘 MOUNTING BUTTON

5-56-2

- MATERIAL: NYLON 66(UL)
- FLAME CLASS: 94V-2
- COLOR: BLACK
- HOLE IN HEAT SINK: $\Phi 3.7$
- SPECIFIC SPRING SPEC FOR APPLICATIVE THICKNESS OF CHASSIS



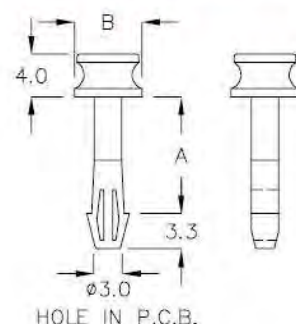
PART NO	A	B	PACKAGE
MB-17F	13.1	$\phi 5.2$	1000



散熱片鉚釘 MOUNTING BUTTON

5-56-3

- MATERIAL: NYLON 66(UL)
- FLAME CLASS: 94V-2
- COLOR: NATURAL
- HOLE IN HEAT SINK: $\Phi 3.2$
- SPECIFIC SPRING SPEC FOR APPLICATIVE THICKNESS OF CHASSIS



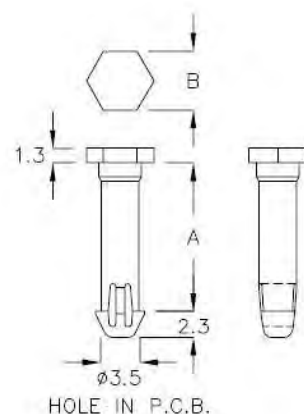
PART NO	A	B	PACKAGE
MB-99	11.0	$\phi 6.4$	2000
MB-99A	14.0	$\phi 6.4$	



散熱片鉚釘 MOUNTING BUTTON

5-56-4

- MATERIAL: NYLON 66(UL)
- FLAME CLASS: 94V-2
- COLOR: BLACK
- HOLE IN HEAT SINK: $\Phi 3.7$
- SPECIFIC SPRING SPEC FOR APPLICATIVE THICKNESS OF CHASSIS



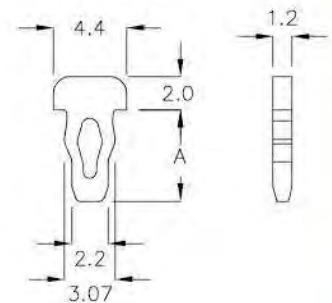
PART NO	A	B	PACKAGE
MBH-16K	13.1	5.2	1000



定位銷 PIN PLANAR LOCATOR

5-57-1

- MATERIAL: NYLON 66(UL)
- FLAME CLASS: 94V-2
- COLOR: NATURAL



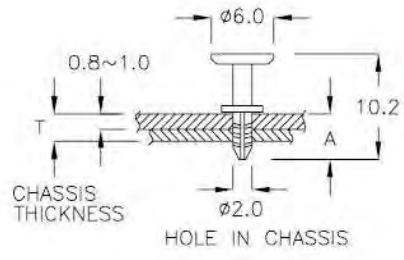
PART NO	A	PACKAGE
MBZ-06	5.5	2000



鉚釘 CANOE CLIP

5-57-2

- MATERIAL: NYLON 66(UL)
- FLAME CLASS: 94V-2
- COLOR: NATURAL



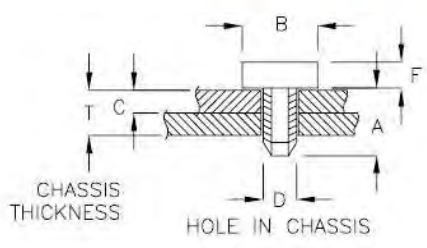
PART NO	A	T CHASSIS THICKNESS	PACKAGE
MB-014	4.6	>2.4	2000



鉚釘 CANOE CLIP

5-57-3

- MATERIAL: NYLON 66(UL)
- FLAME CLASS: 94V-2
- COLOR: NATURAL



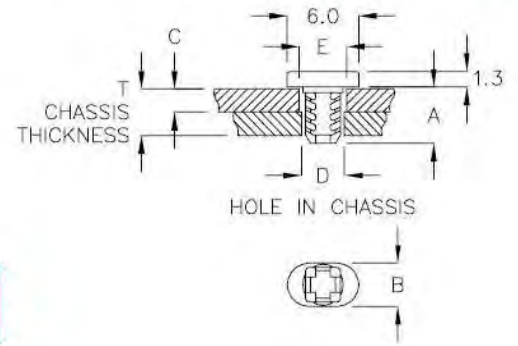
PART NO	A	B	C CHASSIS THICKNESS	D HOLE IN CHASSIS	F	T CHASSIS THICKNESS	PACKAGE
MB-14Q	3.1	∅3.5	0.8~1.0	∅1.8	1.2	>3.0	2000
MB-14R	3.8	∅5.0	0.8~1.0	∅3.0	0.7	>3.5	
MB-14S	3.8	∅5.0	0.8~1.0	∅3.0	0.5	>3.5	
MB-14H	5.5	∅5.0	0.8~1.0	∅3.0	0.5	>5.0	



鉚釘 CANOE CLIP

5-58-1

- MATERIAL: NYLON 66(UL)
- FLAME CLASS: 94V-2
- COLOR: BLACK



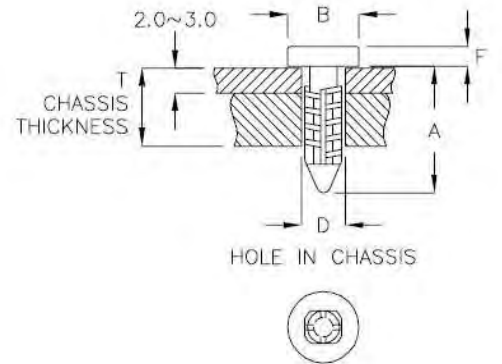
PART NO	A	B	C CHASSIS THICKNESS	D HOLE IN CHASSIS	E HOLE IN CHASSIS	T CHASSIS THICKNESS	PACKAGE
MBT-06	4.7	3.6	0.8~1.0	ø3.5	ø3.5	>5.0	2000
MBT-16J	15.0	3.9	1.0~1.2	ø3.5	ø4.0	>5.0	1000



鉚釘 CANOE CLIP

5-58-2

- MATERIAL: NYLON 66(UL)
- FLAME CLASS: 94V-2
- COLOR: NATURAL



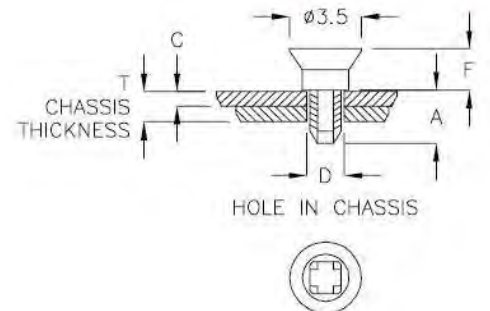
PART NO	A	B	D HOLE IN CHASSIS	F	T CHASSIS THICKNESS	PACKAGE
MB-011	9.7	ø5.5	ø2.9	1.5	>5.0	2000
MB-19A	17.6	ø10.9	ø5.0	1.0	>5.5	



鉚釘 CANOE CLIP

5-58-3

- MATERIAL: NYLON 66(UL)
- FLAME CLASS: 94V-2
- COLOR: NATURAL



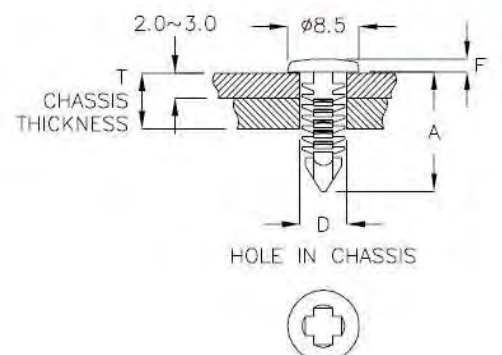
PART NO	A	C	F	D HOLE IN CHASSIS	T CHASSIS THICKNESS	PACKAGE
MB-14C	2.6	1.0	2.0	ø1.8	>2.6	2000
MB-14F	3.8	1.6	3.5	ø1.8	>3.8	



鉚釘 CANOE CLIP

5-58-4

- MATERIAL: NYLON 66(UL)
- FLAME CLASS: 94V-2
- COLOR: NATURAL



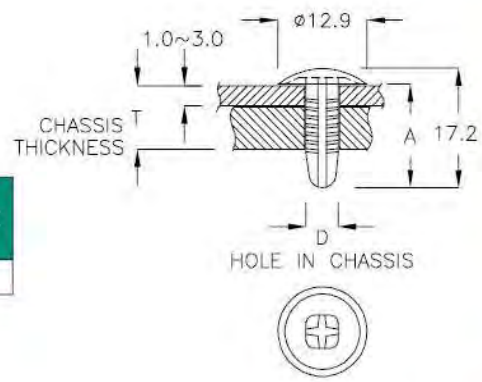
PART NO	A	F	D HOLE IN CHASSIS	T CHASSIS THICKNESS	PACKAGE
MB-17A	14.3	1.5	ø4.9~ø4.95	>8.0	1000



鉚釘 MOUNTING BUTTON

5-59-1

- MATERIAL: NYLON 66(UL)
- FLAME CLASS: 94V-2
- COLOR: NATURAL



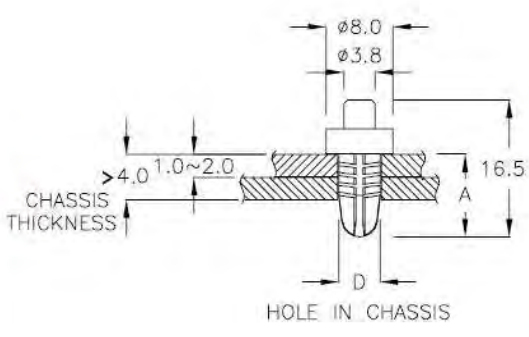
PART NO	A	D HOLE IN CHASSIS	T CHASSIS THICKNESS	PACKAGE
MB-17	14.9	ø5.0~ø5.1	>6.0	1000



鉚釘 CANOE CLIP

5-59-2

- MATERIAL: NYLON 66(UL)
- FLAME CLASS: 94V-2
- COLOR: BLACK



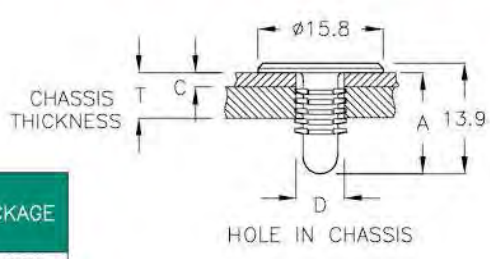
PART NO	A	D HOLE IN CHASSIS	PACKAGE
WCD-6A	10.0	ø5.6~ø5.7	2000



鉚釘 CANOE CLIP

5-59-3

- MATERIAL: NYLON 66(UL)
- FLAME CLASS: 94V-2
- COLOR: NATURAL



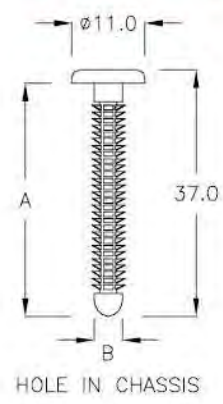
PART NO	A	C	D	T CHASSIS THICKNESS	PACKAGE
MBY-12JW	12.7	1.6	ø6.1	>6.0	1000



鉚釘 CANOE CLIP

5-59-4

- MATERIAL: NYLON 66(UL)
- FLAME CLASS: 94V-2
- COLOR: NATURAL

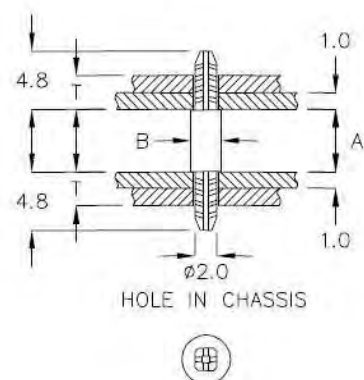


PART NO	A	B HOLE IN CHASSIS	PACKAGE
MB-35	35.0	ø4.7~ø4.9	1000



間隔柱用鉚釘 SUPPORTING RIVET ———— 5-60-1

- MATERIAL: NYLON 66(UL)
- FLAME CLASS: 94V-2
- COLOR: NATURAL

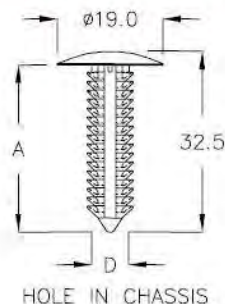


PART NO	A	B	T MAXIMUM THICKNESS	PACKAGE
MB-14D	5.0	∅2.5	3.0	2000



鉚釘 CANOE CLIP ———— 5-60-2

- MATERIAL: NYLON 66(UL)
- FLAME CLASS: 94V-2
- COLOR: NATURAL

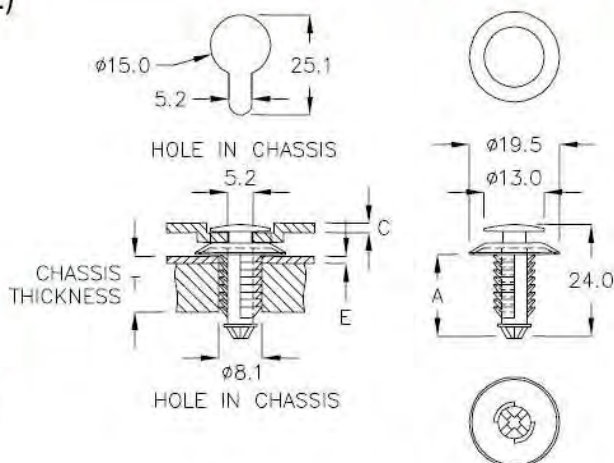


PART NO	A	D HOLE IN CHASSIS	CHASSIS THICKNESS	PACKAGE
MBTR-32	30.0	∅7.1	1.5~25.4	1000



鉚釘 CANOE CLIP ———— 5-60-3

- MATERIAL: NYLON 66(UL)
- FLAME CLASS: 94V-2
- COLOR: NATURAL



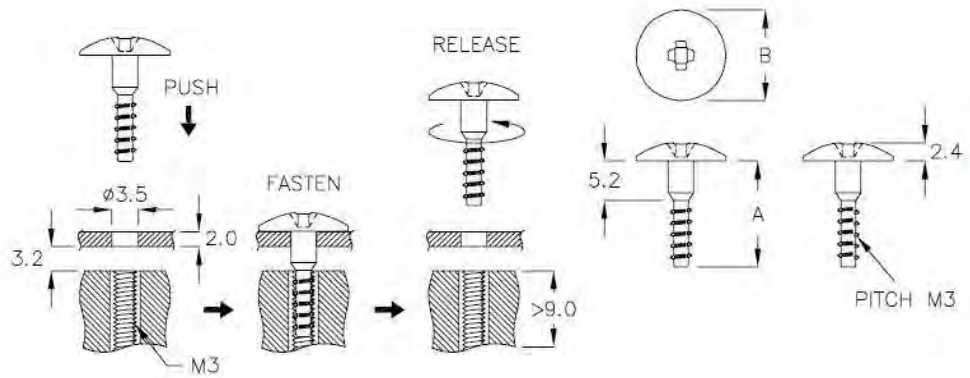
PART NO	A	C CHASSIS THICKNESS	E CHASSIS THICKNESS	T CHASSIS THICKNESS	PACKAGE
MBDA-24	17.5	2.3	0.8	12.0	1000



螺絲固定扣 PLASTIC SCREW

5-61-1

- MATERIAL: NYLON 66(UL)
- FLAME CLASS: 94V-0
- COLOR: BLACK



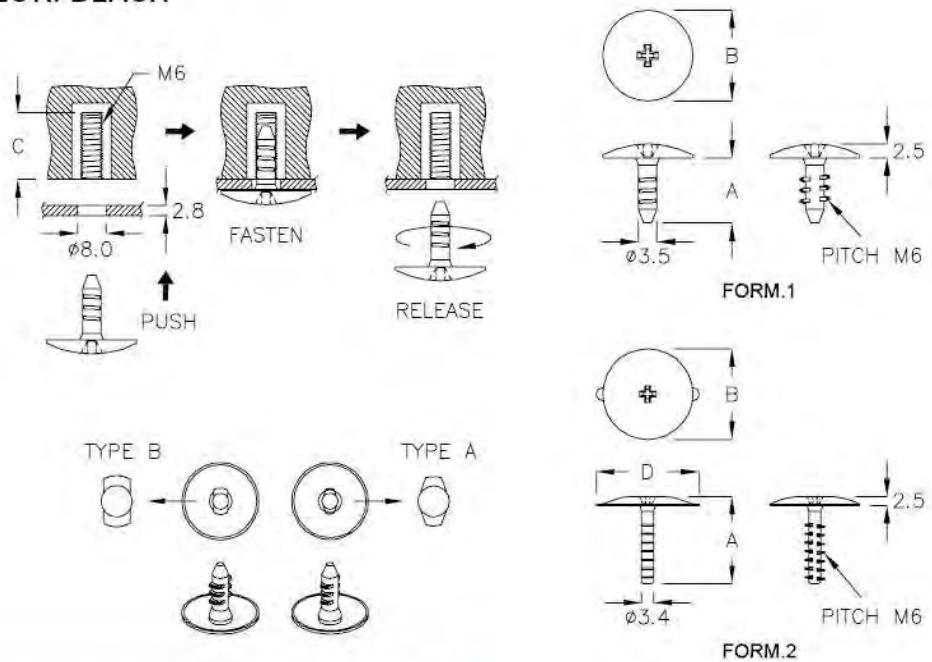
PART NO	A	B	PACKAGE
SZ-3M15HC	∅12.0	14.0	1000



螺絲固定扣 PLASTIC SCREW

5-61-2

- MATERIAL: NYLON 66(UL)
- FLAME CLASS: 94V-2
- MATERIAL: ABS+PC
- FLAME CLASS: 94V-0
- COLOR: BLACK



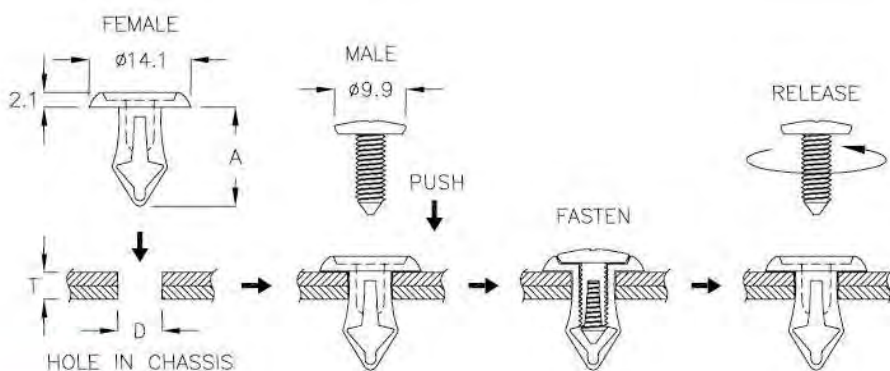
PART NO	MATERIAL	A	B	C	D	HEAD STYLE	FIN STYLE	PACKAGE
SZ-6M12	N66	12.0	∅16.8	18.5		FORM.1	TYPE A	1000
SZ-6M12KD	N66	12.0	∅16.8	18.5		FORM.1	TYPE B	
SZ-6M13F	N66	13.5	∅20.0	18.5	24.0	FORM.2	TYPE B	
SZ-6M17D	N66	17.5	∅20.0	22.0	24.0	FORM.2	TYPE B	
SZ-6M21MQ	N66	21.5	∅20.0	25.0	24.0	FORM.2	TYPE B	
SZ-6M21A	ABS+PC	21.5	∅25.0	25.0	28.6	FORM.2	TYPE A	



鉚釘 SNAP RIVET

5-62-1

- MALE MATERIAL: NYLON 66(UL)
- FEMALE MATERIAL: PC(UL)
- FLAME CLASS: 94V-2
- COLOR: BLACK



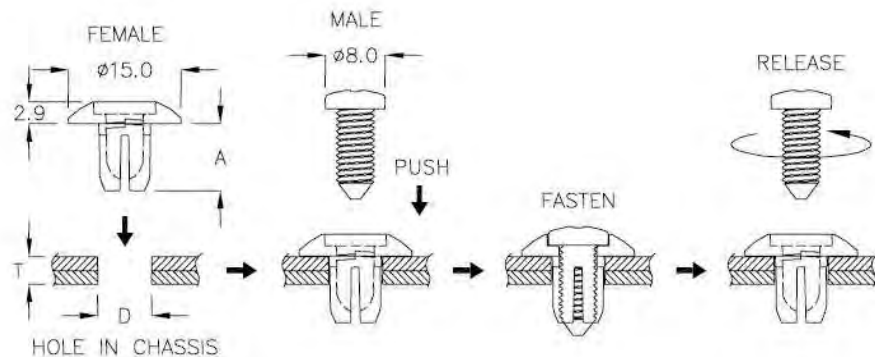
PART NO	A	D HOLE IN CHASSIS	T CHASSIS THICKNESS	PACKAGE
MEL-6A	13.65	∅5.9	4.5	1000



鉚釘 SNAP RIVET

5-62-2

- MATERIAL: PC(UL)
- FLAME CLASS: 94V-0
- COLOR: BLACK



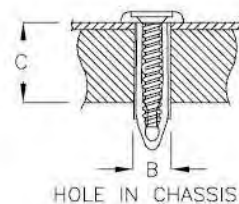
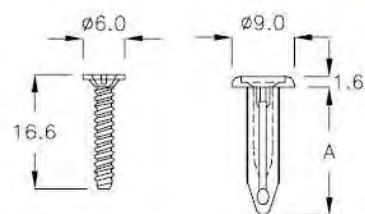
PART NO	A	D HOLE IN CHASSIS	T CHASSIS THICKNESS	PACKAGE
MEP-07	8.86	∅7.0	4.0~5.5	1000



鉚釘 SNAP RIVET

5-63-1

- MATERIAL: NYLON 66(UL)
- FLAME CLASS: 94V-2
- COLOR: BLACK



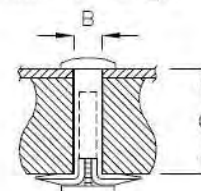
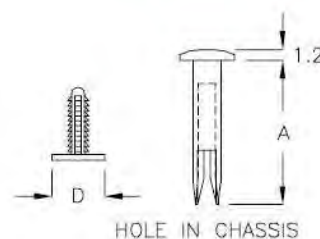
PART NO	A	B HOLE IN CHASSIS	C CHASSIS THICKNESS	PACKAGE
MEC-18	18.45	∅5.0	9.5~11.5	1000



鉚釘 MOUNTING BUTTON

5-63-2

- MALE MATERIAL: NYLON 66(UL)
- FLAME CLASS: 94V-2
- FEMALE MATERIAL: PU
- COLOR: BLACK



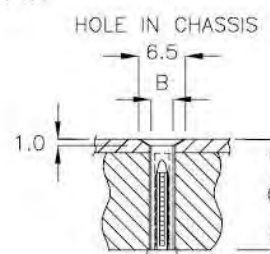
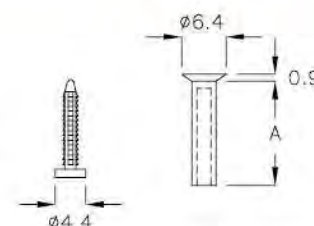
PART NO	A	B HOLE IN CHASSIS	C CHASSIS THICKNESS	D	PACKAGE
SRU-3	15.7	∅3.2	10.5~11.5	∅5.8	2000
SRU-3A	11.0	∅2.7	9.0~9.5	∅5.6	
SRU-3S	14.3	∅2.7	10.7~11.2	∅5.6	



鉚釘 MOUNTING BUTTON

5-63-3

- MALE MATERIAL: NYLON 66(UL)
- FLAME CLASS: 94V-2
- FEMALE MATERIAL: PU
- COLOR: BLACK



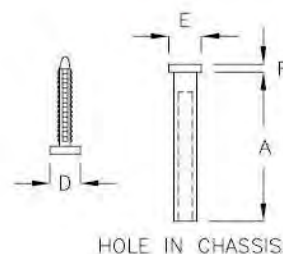
PART NO	A	B HOLE IN CHASSIS	C CHASSIS THICKNESS	PACKAGE
SRU-3F	15.1	∅3.5	16.2~16.8	2000



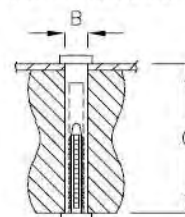
鉚釘 MOUNTING BUTTON

5-64-1

- MALE MATERIAL: NYLON 66(UL)
- FLAME CLASS: 94V-2
- FEMALE MATERIAL: PU
- COLOR: BLACK



HOLE IN CHASSIS



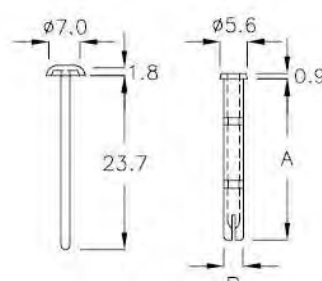
PART NO	A	B HOLE IN CHASSIS	C CHASSIS THICKNESS	D	E	F	PACKAGE
SRU-3C	18.6	ø3.4	18.8~19.5	ø4.4	ø4.7	1.1	2000
SRU-3H	26.0	ø4.5	26.2~26.8	ø5.4	ø6.0	1.1	
SRU-3J	21.0	ø4.4	21.2~21.8	ø6.0	ø6.0	1.0	
SRU-3K	17.6	ø4.2	17.8~18.4	ø7.4	ø7.4	1.2	
SRU-3M	15.3	ø4.5	15.8~16.2	ø7.4	ø7.4	1.2	
SRU-3ND	25.5	ø4.3	25.8~26.3	ø6.0	ø6.0	1.0	
SRU-3P	15.3	ø4.1	15.8~16.2	ø7.4	ø7.4	1.2	
SRU-3R	23.5	ø4.3	23.7~24.3	ø6.0	ø6.0	1.0	
SRU-3T	20.4	ø3.4	21.0~20.6	ø4.4	ø4.7	1.1	



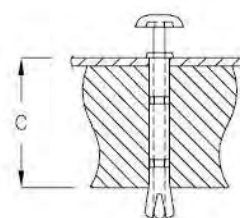
鉚釘 MOUNTING BUTTON

5-64-2

- MALE MATERIAL: NYLON 66(UL)
- FEMALE MATERIAL: NYLON 66(UL)
- FLAME CLASS: 94V-2
- COLOR: BLACK



HOLE IN CHASSIS



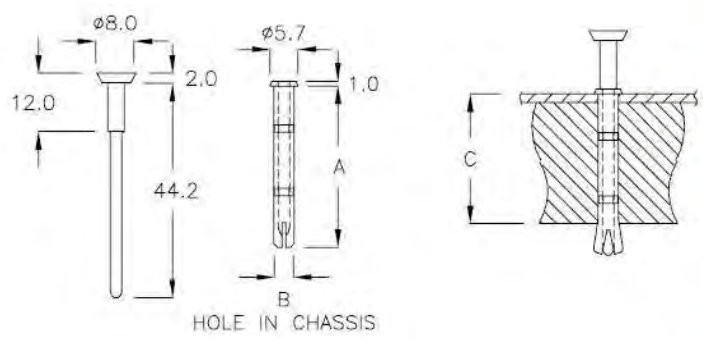
PART NO	A	B HOLE IN CHASSIS	C CHASSIS THICKNESS	PACKAGE
SR-4WY	23.5	ø4.0	20.5~21.5	2000



鉚釘 MOUNTING BUTTON ————— **5-65-1**

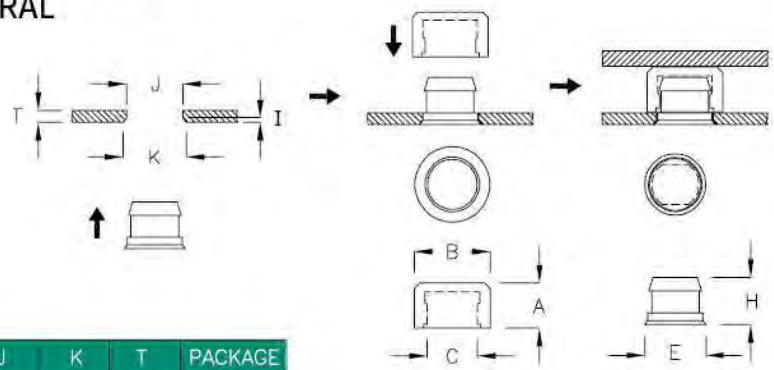
- MALE MATERIAL: NYLON 66(UL)
- FEMALE MATERIAL: NYLON 66(UL)
- FLAME CLASS: 94V-2
- COLOR: BLACK

PART NO	A	B HOLE IN CHASSIS	C CHASSIS THICKNESS	PACKAGE
SR-4DK	33.2	∅4.0	29.0~30.0	2000



固定扣 SNAP LATCH ————— **5-65-2**

- MATERIAL: NYLON 66(UL)
- FLAME CLASS: 94V-2
- COLOR: NATURAL



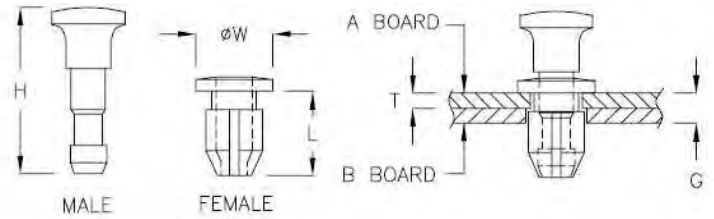
PART NO	A	B	C	E	H	I	J	K	T	PACKAGE
LH-013	4.0	∅6.9	∅4.5	∅5.6	4.2	0.6	5.1	5.8	1.2	2000
LH-015	9.4	∅8.9	∅4.5	∅5.6	4.2	0.5	5.1	5.8	1.0	
LH-016	5.1	∅6.9	∅4.5	∅5.6	4.2	0.6	5.1	5.8	1.2	
LH-017	3.6	∅6.9	∅4.5	∅5.6	3.5	0.6	5.1	5.8	1.2	
LH-018	3.4	∅6.9	∅4.5	∅5.6	3.5	1.3	5.1	5.8	1.9	
LH-019	3.8	∅6.9	∅4.6	∅5.4	4.2	0.55	4.9	5.6	1.1	
LH-021	3.0	∅6.9	∅4.6	∅5.6	3.4	0.6	5.15	5.8	1.2	
LH-024	2.9	∅6.9	∅4.5	∅5.6	2.75	0.45	5.15	6.05	0.8	
LH-026	4.0	∅6.9	∅4.5	∅5.6	3.9	0.6	5.1	5.8	0.8	
LH-027	3.3	∅6.9	∅4.6	∅5.95	3.3	0.66	5.1	6.6	1.0	



固定扣 SNAP LATCH

5-66-1

- MALE MATERIAL: NYLON 66(UL)
- FEMALE MATERIAL: PC(UL)
- FLAME CLASS: 94V-2
- COLOR: BLACK



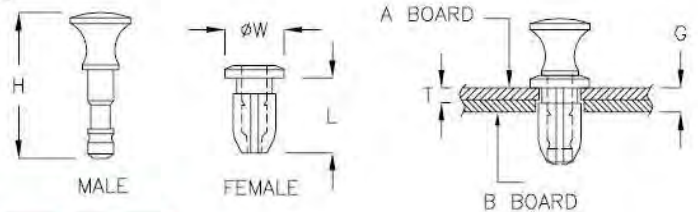
PART NO	T THICKNESS	G THICKNESS	A HOLE	B HOLE	L	W	H	PACKAGE
LH-01C	1.8~2.0	3.4~4.8	ø6.0	ø6.4	9.2	8.5	15.3	1000
LH-01D	2.1	4.1~4.8	ø6.0	ø6.4	9.2	8.5	18.2	
LH-01F	2.5	4.5~4.8	ø6.25	ø6.4	9.6	8.5	19.3	
LH-01M	1.6	2.7~3.6	ø6.1	ø6.4	8.6	8.5	17.5	
LH-01P	2.0	3.6~4.0	ø6.1	ø6.3	9.2	8.5	17.5	
LH-1	1.8~2.0	3.4~4.0	ø6.0	ø6.4	9.2	8.5	18.2	
LH-1L	3.9	7.7~8.2	ø6.0	ø6.4	11.3	8.5	20.2	500
LH-2	1.5	3.8~4.6	ø7.6	ø8.0	9.9	10.8	18.2	
LH-3	2.5	3.0~5.2	ø7.6	ø8.0	10.4	10.8	18.7	



固定扣 SNAP LATCH

5-66-2

- MALE MATERIAL: NYLON 66(UL)
- FEMALE MATERIAL: PC(UL)
- FLAME CLASS: 94V-2
- COLOR: BLACK



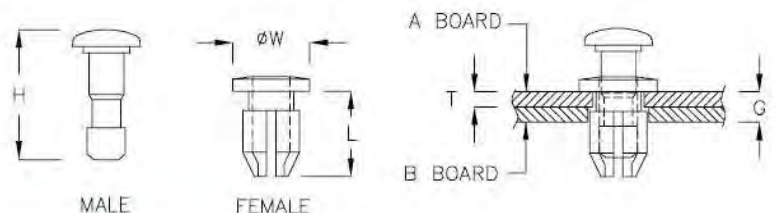
PART NO	T THICKNESS	G THICKNESS	A HOLE	B HOLE	L	W	H	PACKAGE
LH-01H	1.5~1.6	4.1~4.3	ø4.6	ø4.8	8.1	6.5	15.9	1000
LH-1RK	1.5~1.6	4.1~4.3	ø4.6	ø4.8	8.1	6.5	12.9	
LH-1Q	0.8	1.6~2.3	ø6.4	ø6.55	6.7	8.5	16.4	



固定扣 SNAP LATCH

5-66-3

- MALE MATERIAL: NYLON 66(UL)
- FEMALE MATERIAL: PC(UL)
- FLAME CLASS: 94V-2
- COLOR: NATURAL, BLACK

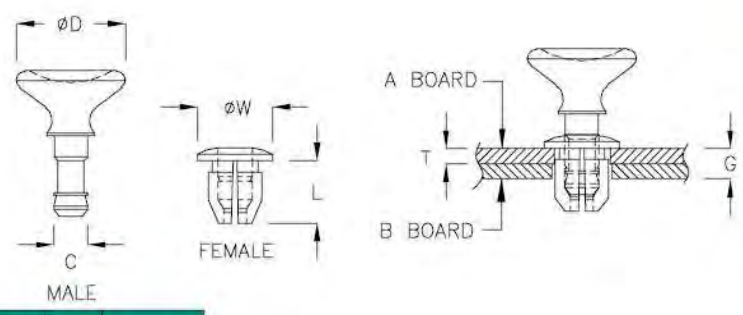


PART NO	T THICKNESS	G THICKNESS	A HOLE	B HOLE	L	W	H	PACKAGE
LH-01J	1.8~2.0	3.4~4.0	ø6.0	ø6.4	9.2	8.5	14.0	1000



固定扣 SNAP LATCH ————— | 5-67-1 |

- MALE MATERIAL: NYLON 66(UL)
- FEMALE MATERIAL: PC(UL)
- FLAME CLASS: 94V-2
- COLOR: BLACK

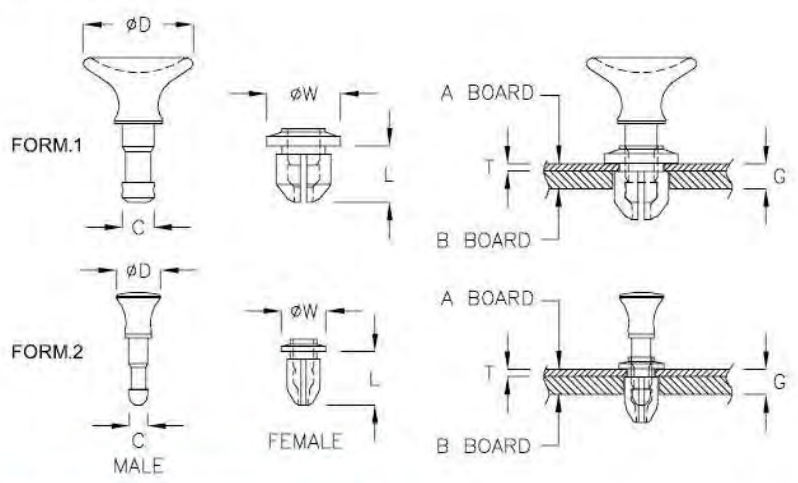


PART NO	T THICKNESS	G THICKNESS	A HOLE	B HOLE	C	D	L	W	PACKAGE
LH-2D	1.5	3.8~4.6	ø7.6	ø8.0	4.6	15.8	9.9	10.8	500
LH-2C	1.6	3.4~3.7	ø7.6	ø8.0	4.5	15.6	9.0	10.9	
LH-2T	1.6	3.4~3.7	ø7.6	ø8.0	4.6	15.8	9.0	10.9	
LH-04C	1.6	2.4~3.6	ø7.6	ø8.0	4.6	16.0	8.8	10.7	
LH-04D	2.4	3.5	ø7.5	ø8.0	5.0	16.0	9.9	10.5	



固定扣 SNAP LATCH ————— | 5-67-2 |

- MALE MATERIAL: NYLON 66(UL)
- FEMALE MATERIAL: PC(UL)
- FLAME CLASS: 94V-2
- COLOR: BLACK

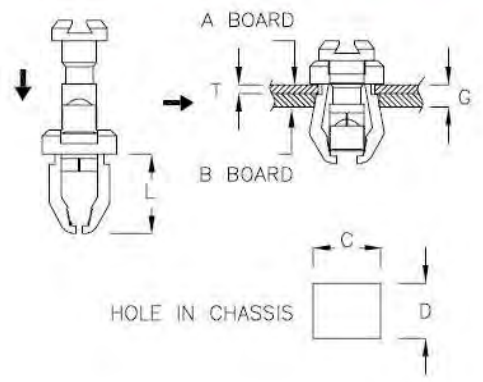


PART NO	T THICKNESS	G THICKNESS	A HOLE	B HOLE	C	D	L	W	FORM	PACKAGE
LH-04A	1.0	2.6~3.0	ø7.8	ø8.0	4.6	16.0	8.1	10.7	1	500
LH-4KP	1.0	2.8~3.8	ø4.7	ø4.8	2.7	6.35	7.7	6.5	2	1000



固定扣 SNAP LATCH ————— | 5-67-3 |

- MATERIAL: PC(UL)
- COLOR: BLACK



PART NO	T THICKNESS	G THICKNESS	A BOARD HOLE CxD	B BOARD HOLE CxD	L	PACKAGE
LH-009	1.2	2.4~2.7	9.0x9.0	9.5x9.0	12.2	200

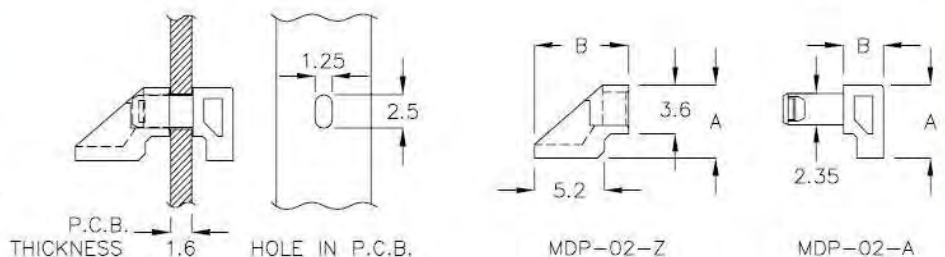


P.C.B. 固定座 P.C.B. MOUNT

5-69-1

- MATERIAL: NYLON 66(UL)
- FLAME CLASS: 94V-0
- COLOR: NATURAL

PART NO	A	B	PACKAGE
MDP-02-A	5.4	3.0	2000
MDP-02-Z	5.4	7.0	

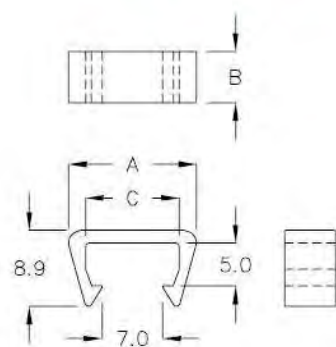


固定扣 MOUNT

5-69-2

- MATERIAL: NYLON 66(UL)
- FLAME CLASS: 94V-2
- COLOR: NATURAL

PART NO	A	B	C	PACKAGE
LHY-01	15.0	6.0	11.0	500

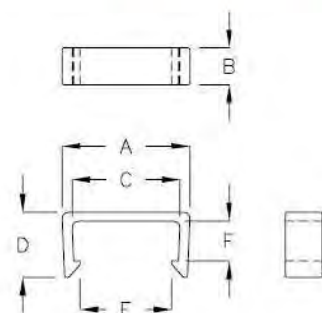


天線固定扣 MOUNT

5-69-3

- MATERIAL: NYLON 66(UL)
- FLAME CLASS: 94V-2
- COLOR: NATURAL

PART NO	A	B	C	D	E	F	PACKAGE
LHY-12	12.0	7.0	9.2	6.6	7.0	2.4	2000
LHY-20	19.9	5.7	16.75	10.1	13.9	6.1	1000



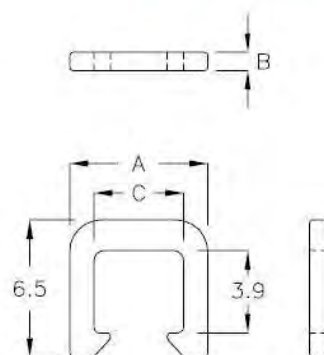


固定扣 MOUNT

5-70-1

- MATERIAL: PC(UL)
- FLAME CLASS: 94V-2
- COLOR: CLEAR

PART NO	A	B	C	PACKAGE
LHG-06M	6.5	0.85	4.3	1000

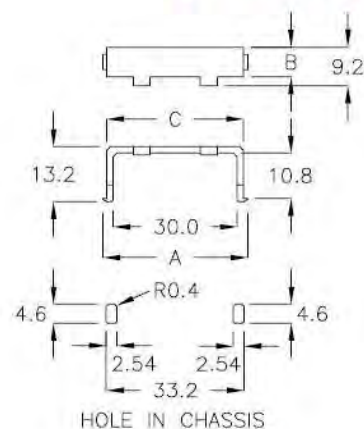


固定扣 NIFLATCH

5-70-2

- MATERIAL: NYLON 66(UL)
- FLAME CLASS: 94V-0
- COLOR: NATURAL

PART NO	A	B	C	PACKAGE
LHJ-33C	35.0	7.1	33.0	500

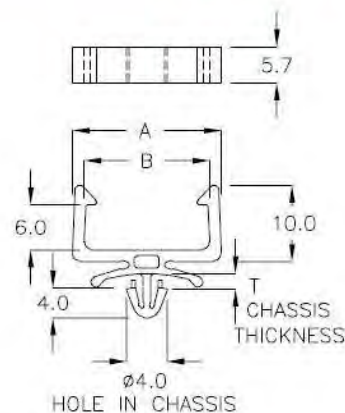


天線固定座 MOUNT

5-70-3

- MATERIAL: NYLON 66(UL)
- FLAME CLASS: 94V-2
- COLOR: NATURAL

PART NO	A	B	T CHASSIS THICKNESS	PACKAGE
MRT-19Q	19.8	16.7	1.0~1.5	1000
MRT-19SK	19.8	16.7	1.5~2.0	

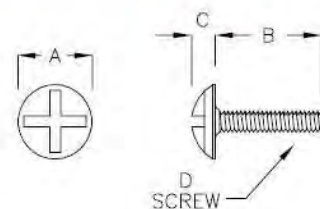


塑膠螺絲 PLASTIC SCREW

5-70-4

- MATERIAL: NYLON 66(UL)
- FLAME CLASS: 94V-0
- COLOR: NATURAL
- D: SCREW

PART NO	A	B	C	D	PACKAGE
S-2M10C	∅7.0	10.0	2.2	M2	2000

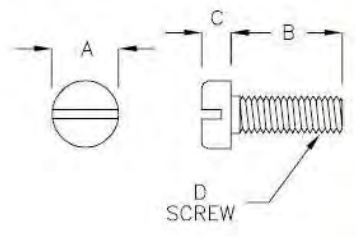




塑膠螺絲 PLASTIC SCREW

5-71-1

- MATERIAL: NYLON 66(UL)
- FLAME CLASS: 94V-2
- COLOR: NATURAL
- D: SCREW



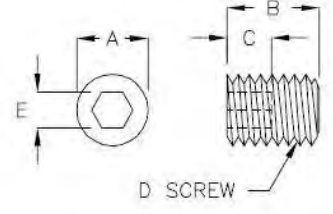
PART NO	A	B	C	D	PACKAGE
S-2M07	ø4.0	6.9	1.6	M2.6	2000
S-2M8DK	ø4.0	8.2	1.8	M2.6	
S-2M9A	ø4.0	9.5	1.6	M2.6	
S-2M10	ø4.0	10.5	1.8	M2.6	



塑膠螺絲 PLASTIC SCREW

5-71-2

- MATERIAL: POM(UL)
- FLAME CLASS: 94HB
- COLOR: NATURAL
- D: SCREW



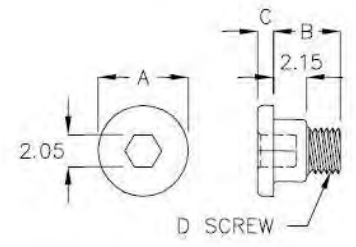
PART NO	A	B	C	D SCREW	E	PACKAGE
SU-304	ø2.9	4.0	2.5	M3	1.5	2000
SU-508	ø4.8	8.8	3.0	M5	2.5	



塑膠螺絲 PLASTIC SCREW

5-71-3

- MATERIAL: POM(UL)
- FLAME CLASS: 94HB
- COLOR: BLACK
- D: SCREW



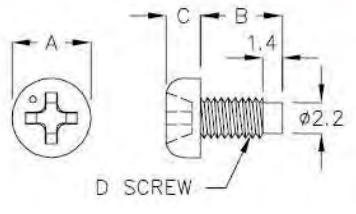
PART NO	A	B	C	D SCREW	PACKAGE
S-302Y	ø5.85	4.35	1.0	M3	2000



塑膠螺絲 PLASTIC SCREW

5-71-4

- MATERIAL: PC(UL)
- FLAME CLASS: 94V-2
- COLOR: CLEAR
- D: SCREW
- OPTIONAL MATERIAL: NYLON 66(UL)



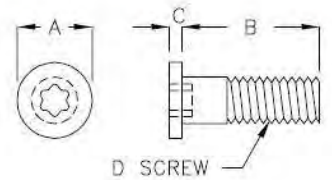
PART NO	A	B	C	D SCREW	PACKAGE
S-306A	ø5.7	5.9	2.5	M3	2000



塑膠螺絲 PLASTIC SCREW

5-72-1

- MATERIAL: PC(UL)
- FLAME CLASS: 94V-2
- COLOR: CLEAR
- D: SCREW



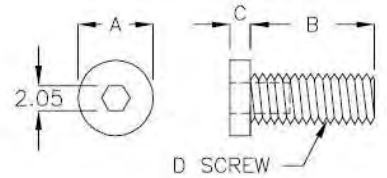
PART NO	A	B	C	D SCREW	PACKAGE
S-410W	ø6.5	9.9	1.1	M4	1000
S-412W	ø6.5	11.9	1.1	M4	



塑膠螺絲 PLASTIC SCREW

5-72-2

- MATERIAL: NYLON 66(UL)
- FLAME CLASS: 94V-2
- COLOR: CLEAR
- D: SCREW



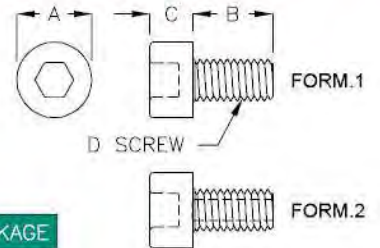
PART NO	A	B	C	D SCREW	PACKAGE
S-410Y	ø4.9	10.2	1.0	M4	1000



塑膠螺絲 PLASTIC SCREW

5-72-3

- MATERIAL: NYLON 66(UL)
- FLAME CLASS: 94V-0
- COLOR: CLEAR, NATURAL
- D: SCREW



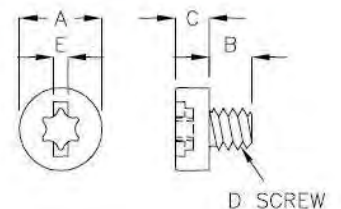
PART NO	MATERIAL	A	B	C	D	FORM	PACKAGE
SNT-406A	PC	ø7.0	6.0	4.0	M4	1	1000
SNT-816J	N66	ø13.0	16.0	8.0	M8	2	500



塑膠螺絲 PLASTIC SCREW

5-72-4

- MATERIAL: NYLON 66(UL)
- FLAME CLASS: 94V-2
- COLOR: NATURAL
- D: SCREW



PART NO	A	B	C	D SCREW	E	PACKAGE
SU6A-3A	ø6.8	3.5	2.8	#6-32	1.2	2000
S-6M2A	ø8.3	2.2	2.2	M6	1.0	

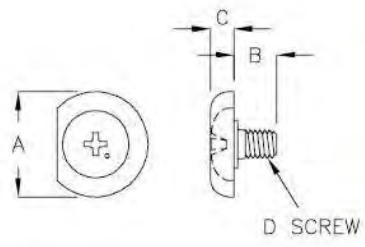


塑膠螺絲 PLASTIC SCREW

5-73-1

- MATERIAL: NYLON 66(UL)
- FLAME CLASS: 94V-2
- COLOR: CLEAR
- D: SCREW

PART NO	A	B	C	D SCREW	PACKAGE
S-304F	ø11.0	4.45	2.5	M3	1000

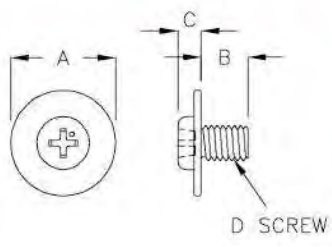


塑膠螺絲 PLASTIC SCREW

5-73-2

- MATERIAL: NYLON 66(UL)
- FLAME CLASS: 94V-2
- COLOR: NATURAL
- MATERIAL: PPS(UL)
- FLAME CLASS: 94V-0
- COLOR: BLACK
- D: SCREW

PART NO	MATERIAL	A	B	C	D SCREW	PACKAGE
S-4M5P	N66/PPS	ø18.0	5.0	3.0	M4	1000
S-5M6T	N66/PPS	ø18.0	6.0	3.5	M5	
S-6M8F	N66	ø18.0	8.0	4.0	M6	

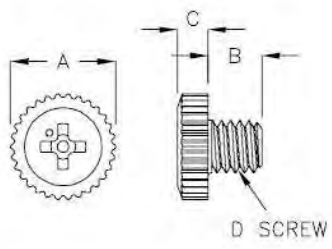


塑膠螺絲 PLASTIC SCREW

5-73-3

- MATERIAL: NYLON 66(UL)
- FLAME CLASS: 94V-0
- COLOR: NATURAL
- D: SCREW

PART NO	A	B	C	D SCREW	PACKAGE
★ S-608KT	ø11.5	8.0	3.3	M6	1000
S-608W	ø11.5	5.9	3.3		

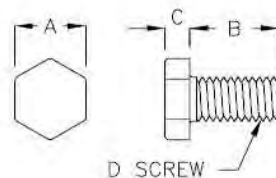




塑膠螺絲 PLASTIC SCREW

5-74-1

- MATERIAL: PEEK(UL) 、 PPS(UL)
- FLAME CLASS: 94V-0
- COLOR: NATURAL, BLACK
- D: SCREW



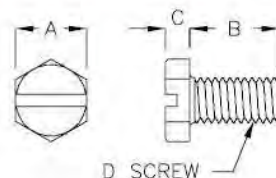
PART NO	MATERIAL	A	B	C	D SCREW	PACKAGE
SQA-406	PPS	7.0	6.0	2.4	M4	1000
SQA-408	PPS	7.0	8.0	2.4		
SQA-410	PEEK	7.0	10.0	2.4		
SQA-412	PPS	7.0	12.0	2.4		
SQA-508	PPS	8.0	8.0	2.8	M5	
SQA-510	PEEK	8.0	10.0	2.8		
SQA-512	PPS	8.0	12.0	2.8		
SQA-515	PPS	8.0	15.0	2.8	M6	
SQA-610	PPS	8.0	10.0	2.8		
SQA-612	PEEK	8.0	12.0	2.8		



塑膠螺絲 PLASTIC SCREW

5-74-2

- MATERIAL: NYLON 66(UL)
- FLAME CLASS: 94V-2
- COLOR: NATURAL
- D: SCREW



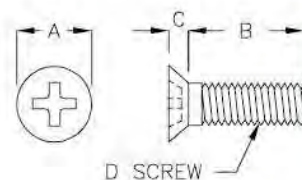
PART NO	A	B	C	D SCREW	PACKAGE
SUN4-406	4.7	6.35	1.35	#4-40	1000
SUN4-409	4.7	9.5	1.35		
SUN4-412	4.7	12.7	1.35		
SUN4-419	4.7	19.0	1.35		
SUN4-425	4.7	25.4	1.35		
SUN6-606	6.2	6.35	2.25	#6-32	
SUN6-609	6.2	9.5	2.25		
SUN6-612	6.2	12.7	2.25		
SUN6-619	6.2	19.0	2.25		
SUN6-625	6.2	25.4	2.25		



塑膠螺絲 PLASTIC SCREW

5-75-1

- MATERIAL: PC(UL), NYLON 66(UL)
- FLAME CLASS: 94V-2
- COLOR: CLEAR, NATURAL
- MATERIAL: PEEK(UL), PPS(UL)
- COLOR: NATURAL, BLACK
- D: SCREW



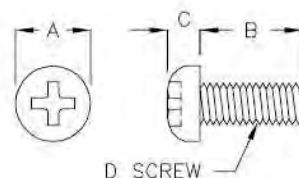
PART NO	MATERIAL	A	B	C	D SCREW	PACKAGE
SF-103BD	PEEK	ø3.2	2.0	1.2	M1.6	1000
SF-103NT	PEEK	ø3.2	2.5	1.2		
SF-104RM	PEEK	ø3.2	3.0	1.2		
SF-104WK	PEEK	ø3.2	3.5	1.2		
SF-105DP	PEEK	ø3.2	4.0	1.2	M2	1000
SF-205	PC/N66	ø3.8	3.3	1.2	M3	2000
SF-304	N66	ø6.0	2.3	1.7	M3	1000
SF-306	PC/N66	ø5.4	4.6	1.4		
SF-308	PC/N66	ø5.8	6.4	1.5		
SF-310	PC/N66	ø5.5	9.0	1.2		
SF-312	PC/N66	ø5.1	10.8	1.4		
SF-314	PC	ø5.6	12.8	1.4	M4	1000
SF-406	PC	ø7.4	3.8	2.4		
SF-408	PC/N66	ø7.4	5.8	2.4	M4	500
SF-410	PC	ø7.6	7.9	2.1		
SF-412	PC	ø7.4	9.8	2.4	M4	1000
SF-414	PC/PPS	ø7.4	11.6	2.4		
SF-416	PC/N66	ø7.4	13.8	2.4		
SF-417	PC/PPS	ø7.4	14.6	2.4		
SF-418	PC/PPS	ø7.4	15.6	2.4		
SF-511	PC	ø9.2	8.2	2.5	M5	1000
SF-513	PC	ø9.1	10.2	2.5		
SF-515	PC	ø9.2	12.2	2.5		
SF-517	PC/PPS	ø9.1	14.5	2.5		
SF-518	PC/PPS	ø9.1	15.5	2.5		
SF-520	PC/PPS	ø9.1	20.0	2.5		
SN4-12	PC/N66	ø5.6	10.55	2.1	#4-40	



塑膠螺絲 PLASTIC SCREW

5-76-1

- MATERIAL: PC(UL), NYLON 66(UL)
- FLAME CLASS: 94V-2
- COLOR: CLEAR, NATURAL
- MATERIAL: PEEK(UL), PPS(UL), PEI
- COLOR: NATURAL, BLACK
- D: SCREW



PART NO	MATERIAL	A	B	C	D SCREW	PACKAGE
S-102LM	PEEK	ø3.0	2.0	1.2	M1.6	2000
S-102SY	PEEK	ø3.0	2.5	1.2		
S-103FC	PEEK	ø3.8	3.17	1.2		
S-103A	PC/N66	ø3.8	3.3	1.2		
S-103YJ	PEEK	ø3.0	3.5	1.2		
S-104KP	PEEK	ø3.0	4.0	1.2		
S-104QH	PEEK	ø3.8	4.76	1.2		
S-105K	PC/N66	ø3.0	4.95	1.0		
S-106	PC/N66	ø3.8	6.0	1.2		
S-107WK	PEEK	ø3.8	7.94	1.2		
S-2M3P	PC	ø3.5	3.0	1.3	M2.0	
S-2M4K	PC/N66	ø6.0	4.5	2.5		
S-2M6A	PC/N66	ø3.5	6.5	1.3		
S-2M08	PC/N66	ø3.5	8.0	1.3		
S-2M10A	PC	ø5.7	10.0	2.5		
S-2AM11	PC/N66	ø4.3	11.0	1.6	M2.5	
S-2M05	PC/N66	ø5.7	5.0	2.8	M2.6	
S-2M06	PC/N66	ø5.7	6.0	2.8		
S-304C	PC/N66	ø5.7	4.0	2.5	M3	
S-305A	PC/N66	ø5.7	5.0	2.5	M3	1000
S-306MK	PC/N66	ø5.7	6.0	1.2		
S-306	PC/N66	ø5.7	6.3	2.5		
S-308	PC/N66	ø5.7	8.0	2.5		
S-310	PC/N66	ø5.7	10.0	2.5		
S-312	PC/N66	ø5.7	12.1	2.5		
S-315	PC/N66	ø5.7	15.1	2.5		
S-318FK	PEI	ø5.7	18.0	2.5		
S-318	PC	ø5.7	18.3	2.5		
S-320	PEI	ø5.7	20.0	2.5		

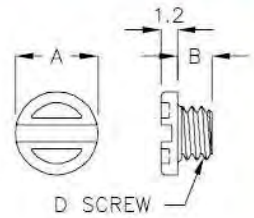
PART NO	MATERIAL	A	B	C	D SCREW	PACKAGE		
S-406	PC/N66	ø7.4	6.3	2.7	M4			
S-408	PC/N66	ø7.4	8.0	2.8				
S-410	PC/N66	ø7.5	10.2	2.6				
S-412	PC/N66	ø7.4	12.2	2.7				
S-414	PC/N66	ø7.5	14.2	2.7				
S-416	PC/N66	ø7.4	16.2	2.7				
S-420	PC/N66	ø7.4	20.0	2.8				
S-425	PC/PPS	ø7.5	25.0	2.7				
S-510	PC/N66	ø9.1	10.2	3.5			M5	1000
S-512	PC/N66	ø9.1	12.2	3.5				
S-516	PC	ø9.1	16.1	3.5				
S-520	PC	ø9.1	20.2	3.6				
S-525	PC/PPS	ø9.1	25.0	3.5	M6			
S-530	PC/PPS	ø9.1	30.0	3.5				
S-605	PC/N66	ø9.0	4.1	3.3				
S-606	PC/PPS	ø9.0	6.0	3.3				
S-608	PC/PPS	ø9.0	8.0	3.3				
S-610	PC/PPS	ø9.0	10.0	3.3				
S-612	PC/PPS	ø9.0	12.0	3.3				
S-615	PC/PPS	ø9.0	15.0	3.3				
S-618	PC/PPS	ø9.0	18.0	3.3				
S-620	PC/PPS	ø9.0	20.0	3.3				
SU2-12A	PC/N66	ø4.2	12.7	1.5	#2-56	2000		
SU6-06	PC/N66	ø6.9	6.4	2.5	#6-32			



塑膠螺絲 PLASTIC SCREW

5-77-1

- MATERIAL: NYLON 66(UL)
- FLAME CLASS: 94V-2
- COLOR: NATURAL
- MATERIAL: PPS(UL)
- FLAME CLASS: 94V-0
- COLOR: BLACK
- D: SCREW



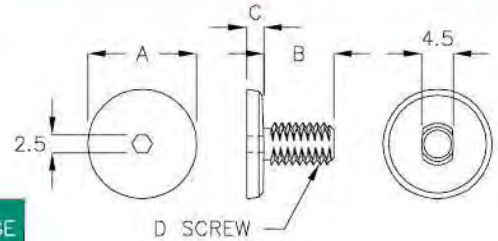
PART NO	MATERIAL	A	B	D SCREW	PACKAGE
S-4M2D	PPS	ø6.0	2.5	M4	2000
S-5M2K	PPS	ø7.0	2.8	M5	
S-6M02	N66	ø8.0	2.1	M6	
S-8M03	PPS	ø10.0	3.0	M8	



塑膠螺絲 PLASTIC SCREW

5-77-2

- MATERIAL: ABS+PC
- COLOR: BLACK
- D: SCREW



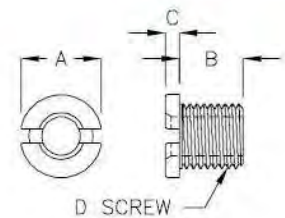
PART NO	A	B	C	D SCREW	PACKAGE
S-610TY	ø15.6	10.0	2.5	M6	1000



塑膠螺絲 PLASTIC SCREW

5-77-3

- MATERIAL: NYLON 66(UL)
- FLAME CLASS: 94V-0
- COLOR: NATURAL
- D: SCREW



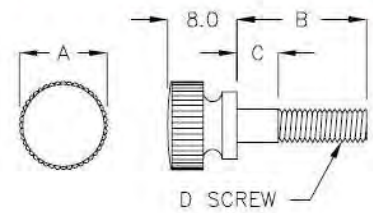
PART NO	A	B	C	D SCREW	PACKAGE
S-7M06	8.8	6.8	1.5	M7	1000



塑膠螺絲 PLASTIC SCREW

5-77-4

- MATERIAL: NYLON 66(UL)
- FLAME CLASS: 94V-2
- COLOR: BLACK
- D: SCREW



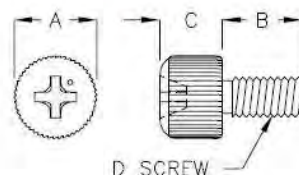
PART NO	A	B	C	D SCREW	PACKAGE
S-318C	ø9.0	10.0	2.0	M3	1000
S-423C	ø10.4	15.0	5.0	M4	
S-523C	ø10.6	15.1	5.0	M5	
S-626C	ø10.5	18.0	5.0	M6	



螺絲 SCREW

5-78-1

- MATERIAL: ABS+PC
- COLOR: GRAY
- SCREW MATERIAL: ALLOY BRASS
- D: SCREW



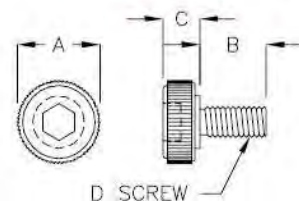
PART NO	A	B	C	D SCREW	PACKAGE
SW4-08	ø8.3	8.0	6.4	M4	500



螺絲 SCREW

5-78-2

- MATERIAL: ABS+PC
- COLOR: GRAY
- SCREW MATERIAL: ALLOY BRASS
- D: SCREW



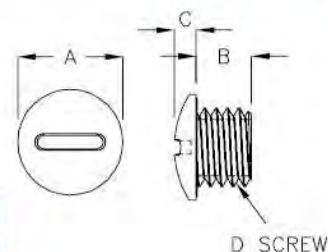
PART NO	A	B	C	D SCREW	PACKAGE
SW5-16	ø12.8	10.3	5.7	M5	500



螺旋塞環 SCREW PLUG

5-78-3

- MATERIAL: NYLON 66 (UL)
- FLAME CLASS: 94V-2
- COLOR: BLACK
- D: SCREW

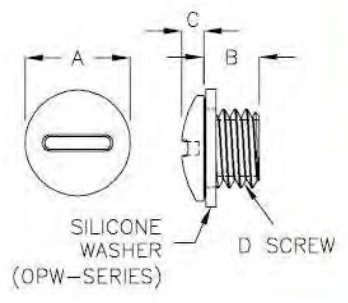


PART NO	A	B	C	D SCREW	PACKAGE
SM-UNEF58	ø23.5	8.0	3.5	5/8"-24UNEF	200
SM-PF12	ø26.3	8.1	3.5	PF1/2"	
SM-M8	ø12.0	8.5	2.4	M8	1000
SM-M10	ø14.0	8.5	2.4	M10	
SM-M12	ø16.15	8.5	3.35	M12	
SM-M12AC	ø16.15	8.5	3.35	M12	
SM-M16	ø20.2	8.0	3.45	M16	200
SM-M20	ø25.5	7.95	3.6	M20	
SM-M20A	ø25.5	6.0	3.6	M20	
SM-M25	ø30.3	8.45	3.55	M25	



防水螺旋塞環 WATERPROOF PLUG ——— | 5-79-1 |

- MATERIAL: NYLON 66 (UL)
- FLAME CLASS: 94V-2
- COLOR: BLACK
- D: SCREW
- WATERPROOF PROVE: IP67



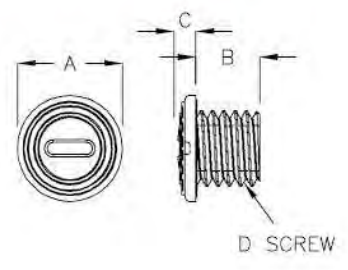
PART NO	A	B	C	D SCREW	ASSEMBLE WITH P.G. PART	PACKAGE
SM-UNEF58-X	∅23.5	8.0	3.5	5/8"-24UNEF	WSR-22AP	200
SM-PF12-X	∅26.3	8.1	3.5	PF1/2"	OPW-20	
SM-M8-X	∅12.0	8.5	2.4	M8	OPW-7A	1000
SM-M10-X	∅14.0	8.5	2.4	M10	OPW-9CD	
SM-M12-X	∅16.15	8.5	3.35	M12	WSR-11RM	
★ SM-M12AC-X	∅16.15	8.5	3.35	M12	WSR-11RM	
SM-M16-X	∅20.2	8.0	3.45	M16	OPW-15D	200
SM-M20-X	∅25.5	7.95	3.6	M20	OPW-19M	
SM-M20A-X	∅25.5	6.0	3.6	M20	OPW-19M	
SM-M25-X	∅30.3	8.45	3.55	M25	OPW-24A	

ASSEMBLE WITH P.G. PART OPW-SERIES, WSR-SERIES (Page 8-34)



螺旋塞環 SCREW PLUG ——— | 5-79-2 |

- MATERIAL: NYLON 66 (UL)
- FLAME CLASS: 94V-2
- COLOR: NATURAL
- D: SCREW

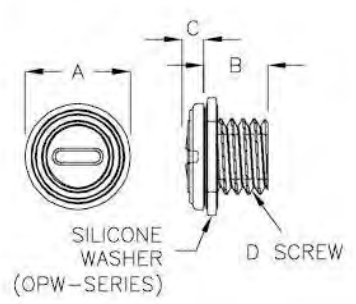


PART NO	A	B	C	D SCREW	PACKAGE
SM-M10TC	∅14.0	8.5	2.4	M10	1000



防水螺旋塞環 WATERPROOF PLUG ——— | 5-79-3 |

- MATERIAL: NYLON 66 (UL)
- FLAME CLASS: 94V-2
- COLOR: NATURAL
- D: SCREW
- WATERPROOF PROVE: IP67



PART NO	A	B	C	D SCREW	ASSEMBLE WITH P.G. PART	PACKAGE
SM-M10TC-X	∅14.0	8.5	2.4	M10	OPW-9CD	1000

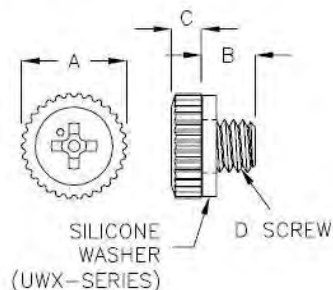
ASSEMBLE WITH P.G. PART OPW-SERIES (Page 8-34-1)



塑膠螺絲 PLASTIC SCREW

5-80-1

- MATERIAL: NYLON 66(UL)
- FLAME CLASS: 94V-0
- COLOR: NATURAL
- D: SCREW



PART NO	A	B	C	D SCREW	ASSEMBLE WITH P.G. PART	PACKAGE
★ S-608KT-X	φ11.5	8.0	3.3	M6	UWX-11	1000
S-608W-X	φ11.5	5.9	3.3			

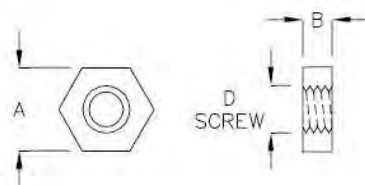
ASSEMBLE WITH P.G. PART UWX-SERIES (Page 8-34-3)



塑膠螺帽 PLASTIC NUT

5-80-2

- MATERIAL: PC(UL)
- FLAME CLASS: 94V-2
- COLOR: NATURAL
- MATERIAL: NYLON 66(UL)
- FLAME CLASS: 94V-2
- COLOR: NATURAL, BLACK
- D: SCREW



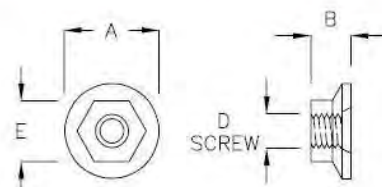
PART NO	MATERIAL	A	B	D SCREW	PACKAGE
S-2M	PC/N66	5.0	2.4	M2.6	1000
S-2MD	PC	5.0	1.9	M2.6	
S-3M	PC/N66	5.4	2.5	M3	
S-4M	PC/N66	8.0	3.2	M4	
S-5M	PC/N66	8.0	4.4	M5	
★ S-7M	N66	10.2	3.95	M7x0.75	500
S-12M	N66	18.0	5.1	M12x1.5	1000
UN4-40AN	N66	4.75	2.54	#4-40	
UN4-40DK	N66	6.35	2.54	#4-40	
UN6-32	PC/N66	6.2	2.5	#6-32	
UN6-32BP	N66	6.35	3.05	#6-32	
UN6-32RT	N66	7.75	3.05	#6-32	



塑膠螺帽 PLASTIC NUT

5-80-3

- MATERIAL: NYLON 66(UL)
- FLAME CLASS: 94V-2
- COLOR: NATURAL
- D: SCREW



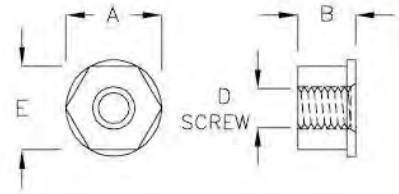
PART NO	A	B	D	E	PACKAGE
S-3MF	φ8.5	3.2	M3	5.4	1000
S-4MF	φ10.0	4.0	M4	6.9	
S-5MF	φ11.0	5.0	M5	7.9	



塑膠螺帽 PLASTIC NUT

5-81-1

- MATERIAL: PC(UL)
- FLAME CLASS: 94V-2
- COLOR: CLEAR
- D: SCREW



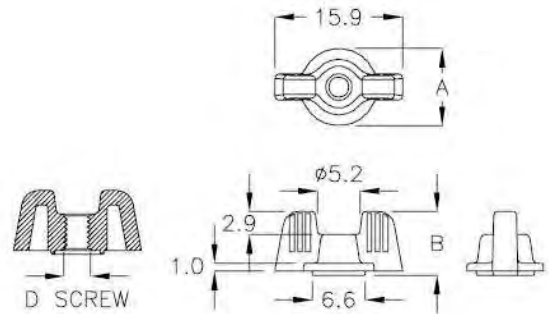
PART NO	A	B	D	E	PACKAGE
UN10-24	ø10.55	6.35	#10-24	9.15	1000



塑膠螺帽 PLASTIC NUT

5-81-2

- MATERIAL: NYLON 66(UL)
- FLAME CLASS: 94V-2
- COLOR: NATURAL
- D: SCREW



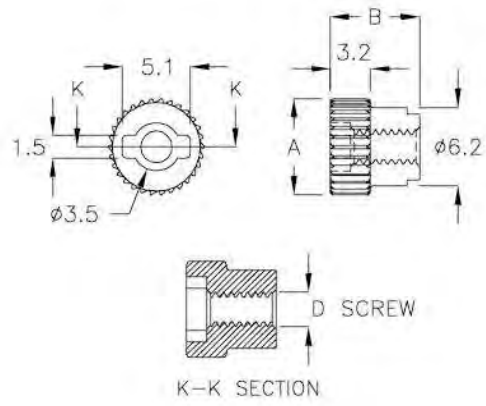
PART NO	A	B	D	PACKAGE
SMA4-40C	ø9.55	7.9	#4-40	1000
SMA6-32F	ø9.55	7.9	#6-32	



塑膠螺帽 PLASTIC NUT

5-81-3

- MATERIAL: NYLON 66(UL)
- FLAME CLASS: 94V-2
- COLOR: NATURAL
- D: SCREW



PART NO	A	B	D	PACKAGE
SMC4-40D	ø7.6	7.1	#4-40	1000

06

線材隔離
SADDLES



線材固定
CABLE CLAMPS

如何使用膠帶程序

06

準備安裝表面：

為了獲得最佳黏著效果，請將膠帶固定座貼在清潔、乾燥、無油的表面上。貼上前請務必清潔黏合表面，請用水 1:1 稀釋的異丙醇混合液擦拭表面後，待表面完全乾燥。

如何正確安裝膠帶：

若要正確安裝及使用膠帶固定座，請先移除離型紙後將固定座放置到位，平均施以約 15psi(1.05kg/cm²) 之壓力按壓以獲得有效貼合。

理想施工溫度：

溫度介於在 15°C 至 38°C 之間，勿低於 10°C。



1) 用乾淨的布並用稀釋的異丙醇混合液擦拭清潔表面



2) 待表面完全乾燥



3) 請先移除離型紙後將其固定座放置到位，平均施以 15psi(1.05Kg/cm²) 之壓力按壓以獲得有效貼合，溫度介於在 15°C 至 38°C 之間，勿低於 10°C



4) 等待一段時間直至貼合強度穩定

膠帶保存：

膠帶固定座儲存環境為 21°C 和 50% 相對濕度，避免因未確實密封及開放包裝，會有背膠黃化現象。

如果儲存條件（環境）與建議條件不同，可能會縮短保質期並導致黏合強度下降。我們持續提高產品可靠性，但錯誤使用可能會造成損壞，如果您對產品的正確使用有任何疑問 / 疑慮，請諮詢我們。

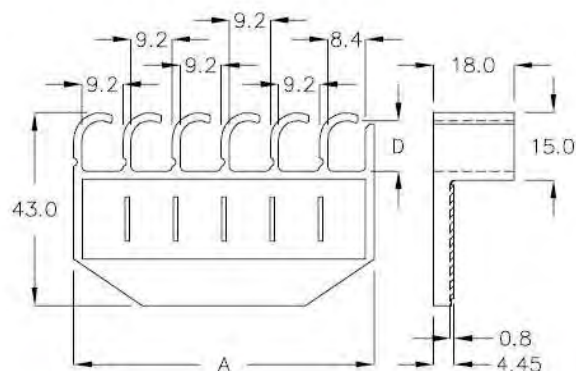


電線固定板 WIRE MOUNT

6-2-1

- MATERIAL: NYLON 66(UL)
- FLAME CLASS: 94V-2
- COLOR: NATURAL
- ADHESIVE TAPE: 3M

PART NO	A	D	PACKAGE
6FW-10	67.2	11.0	50

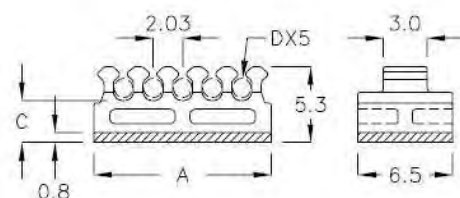


電線固定座 WIRE MOUNT

6-2-2

- MATERIAL: NYLON 66(UL)
- FLAME CLASS: 94V-2
- COLOR: NATURAL
- ADHESIVE TAPE: 3M

PART NO	A	C	D	PACKAGE
CMX-12A	12.2	3.0	∅1.3	2000

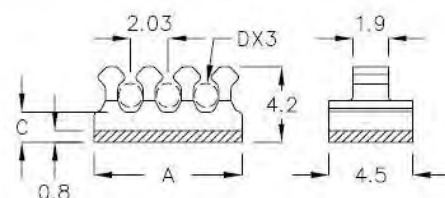


電線固定座 WIRE MOUNT

6-2-3

- MATERIAL: NYLON 66(UL)
- FLAME CLASS: 94V-2
- COLOR: NATURAL
- ADHESIVE TAPE: 3M

PART NO	A	C	D	PACKAGE
CMR-8D	8.1	1.8	∅1.3	2000

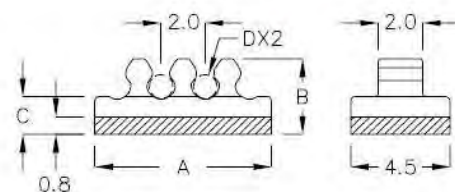


電線固定座 WIRE MOUNT

6-2-4

- MATERIAL: NYLON 66(UL)
- FLAME CLASS: 94V-2
- COLOR: BLACK
- ADHESIVE TAPE: 3M

PART NO	A	B	C	D	PACKAGE
CMR-6TH	6.1	4.2	1.8	∅1.3	2000
CMR-8AT	8.0	3.4	1.7	∅1.0	
CMR-8KF	8.1	4.2	1.8	∅1.38	



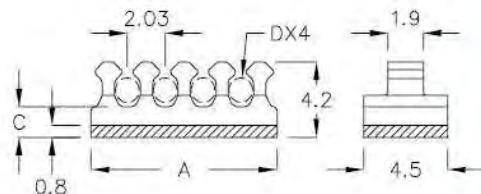


電線固定座 WIRE MOUNT

6-3-1

- MATERIAL: NYLON 66(UL)
- FLAME CLASS: 94V-2
- COLOR: NATURAL
- ADHESIVE TAPE: 3M

PART NO	A	C	D	PACKAGE
CMR-10FK	10.0	1.8	∅1.3	2000

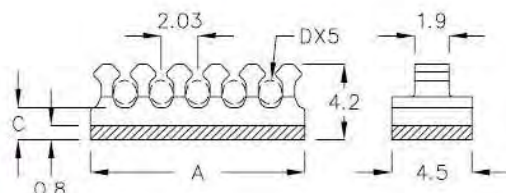


電線固定座 WIRE MOUNT

6-3-2

- MATERIAL: NYLON 66(UL)
- FLAME CLASS: 94V-2
- COLOR: NATURAL
- ADHESIVE TAPE: 3M

PART NO	A	C	D	PACKAGE
CMR-12QW	12.0	1.8	∅1.3	2000

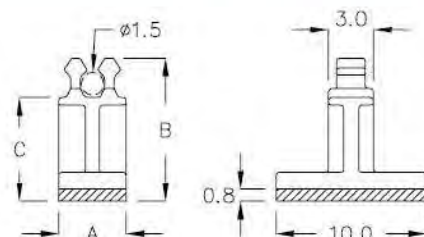


電線固定座 WIRE MOUNT

6-3-3

- MATERIAL: NYLON 66(UL)
- FLAME CLASS: 94V-2
- COLOR: NATURAL
- ADHESIVE TAPE: 3M

PART NO	A	B	C	PACKAGE
CMY-10CT	4.5	9.45	6.85	1000
CMY-10A	4.5	10.2	7.6	

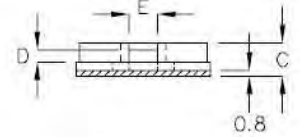
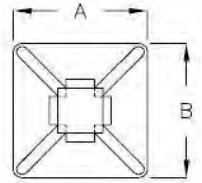




束線固定板
ADHESIVE BACKED MOUNT

6-4-1

- MATERIAL: NYLON 66(UL)
- FLAME CLASS: 94V-2
- COLOR: NATURAL
- ADHESIVE TAPE: 3M



PART NO	A	B	C	D	E	ASSEMBLE WITH P.G. PART	PACKAGE
AB-2S	13.0	13.0	4.8	2.1	2.8	YJ-80, YJ-90, YJ-98 YJ-100, YJ-120, YJ-142S	1000
AB-2	19.0	19.0	4.7	1.7	3.8	YJ-160, YJ-203S	500

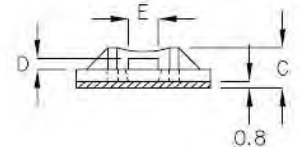
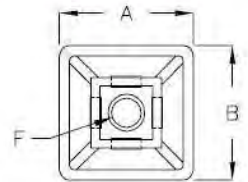
ASSEMBLE WITH P.G PART YJ-SERIES (Page 12-2-1)
MUST BE ASSEMBLED WITH CABLE TIE, WIDTH UP TO 2.6mm



束線固定板
ADHESIVE BACKED MOUNT

6-4-2

- MATERIAL: NYLON 66(UL)
- FLAME CLASS: 94V-2
- COLOR: NATURAL
- ADHESIVE TAPE: 3M
- ALSO CAN BE FASTENED WITH M3 COUNTERSUNK SCREW



PART NO	A	B	C	D	E	F	ASSEMBLE WITH P.G. PART	PACKAGE
AB-3S	19.8	19.8	6.4	1.6	4.3	ø4.4	YJ-80, YJ-90, YJ-98 YJ-100, YJ-120, YJ-142 YJ-142S, YJ-156, YJ-160	500
AB-3	28.3	28.3	6.7	1.8	5.0	ø4.8	YJ-203, YJ-203S	200

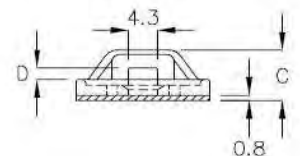
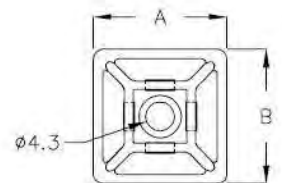
ASSEMBLE WITH P.G PART YJ-SERIES (Page 12-2)
MUST BE ASSEMBLED WITH CABLE TIE, WIDTH UP TO 3.6mm



束線固定板
ADHESIVE BACKED MOUNT

6-4-3

- MATERIAL: NYLON 66(UL)
- FLAME CLASS: 94V-2
- COLOR: NATURAL
- ADHESIVE TAPE: 3M
- ALSO CAN BE FASTENED WITH #6-32 COUNTERSUNK SCREW



PART NO	A	B	C	D	ASSEMBLE WITH P.G. PART	PACKAGE
AB-20PJ	19.8	19.8	7.4	1.7	YJ-80, YJ-90, YJ-98 YJ-100, YJ-120, YJ-142 YJ-142S, YJ-156, YJ-160 YJ-203, YJ-203S	500

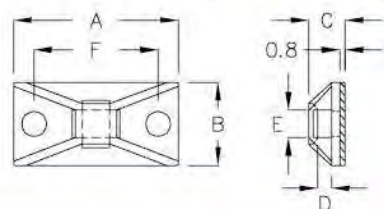
ASSEMBLE WITH P.G PART YJ-SERIES (Page 12-2)
MUST BE ASSEMBLED WITH CABLE TIE, WIDTH UP TO 3.6mm



束線固定板 ADHESIVE BACKED MOUNT

6-5-1

- MATERIAL: NYLON 66(UL)
- FLAME CLASS: 94V-2
- COLOR: NATURAL
- ADHESIVE TAPE: 3M
- ALSO CAN BE FASTENED WITH M2 or M3 SCREW



PART NO	A	B	C	D	E	F	WITH SCREW	ASSEMBLE WITH P.G. PART	PACKAGE
AB-3R	15.0	9.0	5.3	1.95	3.8	10.5	M2	YJ-80, YJ-90, YJ-98 YJ-100, YJ-120, YJ-142 YJ-142S, YJ-156, YJ-160 YJ-203, YJ-203S	500
AB-3P	24.0	12.0	5.3	1.95	4.0	18.0	M3		

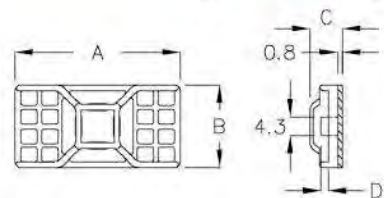
ASSEMBLE WITH P.G. PART YJ-SERIES (Page 12-2)
MUST BE ASSEMBLED WITH CABLE TIE, WIDTH UP TO 3.6mm



束線固定板 ADHESIVE BACKED MOUNT

6-5-2

- MATERIAL: NYLON 66(UL)
- FLAME CLASS: 94V-2
- COLOR: NATURAL
- ADHESIVE TAPE: 3M



PART NO	A	B	C	D	ASSEMBLE WITH P.G. PART	PACKAGE
AB-20QW	39.6	19.8	7.4	1.7	YJ-80, YJ-90, YJ-98, YJ-100 YJ-120, YJ-142, YJ-142S, YJ-156 YJ-160, YJ-203, YJ-203S	200

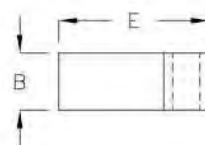
ASSEMBLE WITH P.G. PART YJ-SERIES (Page 12-2)
MUST BE ASSEMBLED WITH CABLE TIE, WIDTH UP TO 3.6mm



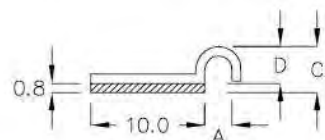
壓線座 WIRE CLAMP

6-5-3

- MATERIAL: NYLON 66(UL)
- FLAME CLASS: 94V-2
- COLOR: NATURAL
- ADHESIVE TAPE: 3M



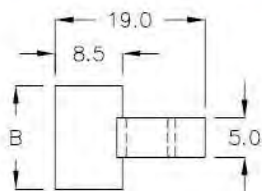
PART NO	A	B	C	D	E	PACKAGE
FS-05	2.4	5.0	4.1	3.2	13.2	2000
FS-12PT	1.5	5.0	3.2	2.4	12.3	



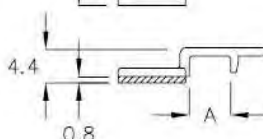
壓線座 WIRE CLAMP

6-5-4

- MATERIAL: NYLON 66(UL)
- FLAME CLASS: 94V-2
- COLOR: NATURAL
- ADHESIVE TAPE: 3M



PART NO	A	B	PACKAGE
FCP-05	5.2	13.0	500



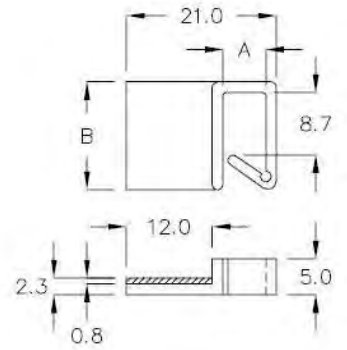


隔離束線座 WIRE SADDLE

6-6-1

- MATERIAL: NYLON 66(UL)
- FLAME CLASS: 94V-2
- COLOR: NATURAL
- ADHESIVE TAPE: 3M

PART NO	A	B	PACKAGE
AB-5	6.0	15.0	500

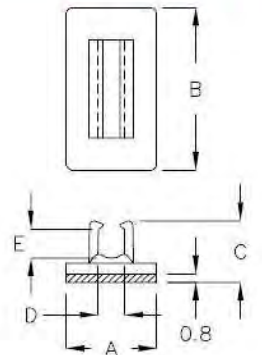


隔離束線座 WIRE SADDLE

6-6-2

- MATERIAL: NYLON 66(UL)
- FLAME CLASS: 94V-2
- COLOR: NATURAL
- ADHESIVE TAPE: 3M

PART NO	A	B	C	D	E	PACKAGE
FU-10AK	8.5	10.0	6.1	2.1	2.3	2000
FU-10DF	8.5	10.0	6.9	3.1	3.15	
FU-15A	8.5	15.2	5.8	2.5	2.7	

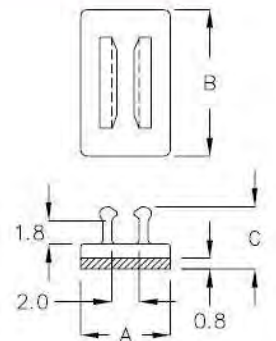


隔離束線座 WIRE SADDLE

6-6-3

- MATERIAL: NYLON 66(UL)
- FLAME CLASS: 94V-2
- COLOR: NATURAL
- ADHESIVE TAPE: 3M

PART NO	A	B	C	PACKAGE
FUS-10C	6.5	10.5	4.5	2000

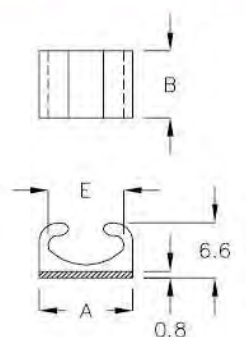


電線固定座 WIRE MOUNT

6-6-4

- MATERIAL: NYLON 66(UL)
- FLAME CLASS: 94V-2
- COLOR: NATURAL
- ADHESIVE TAPE: 3M

PART NO	A	B	E	PACKAGE
FUM-12	11.25	8.0	9.03	2000
FUM-12FD	13.1	8.0	10.45	



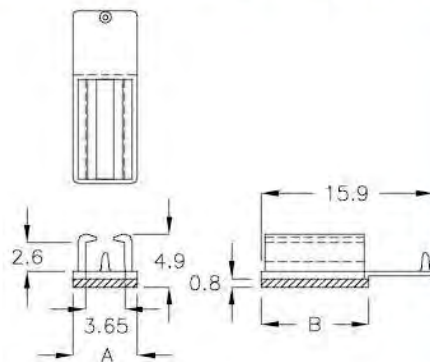


隔離束線座 WIRE SADDLE

6-7-1

- MATERIAL: NYLON 66(UL)
- FLAME CLASS: 94V-2
- COLOR: NATURAL
- ADHESIVE TAPE: 3M

PART NO	A	B	PACKAGE
FUA-16	6.0	10.0	2000

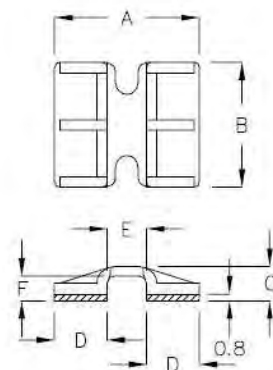


電線固定座 WIRE MOUNT

6-7-2

- MATERIAL: NYLON 66(UL)
- FLAME CLASS: 94V-2
- COLOR: BLACK
- ADHESIVE TAPE: 3M

PART NO	A	B	C	D	E	F	PACKAGE
FWF-1A	14.0	12.0	3.5	5.1	3.8	2.6	1000
FWF-1C	24.0	12.0	3.6	9.6	4.8	2.6	500
FWF-1D	20.0	12.0	3.6	7.6	4.8	2.6	
FWF-1M	24.0	12.0	3.8	9.4	5.2	2.8	

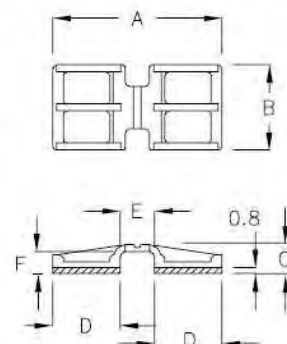


電線固定座 WIRE MOUNT

6-7-3

- MATERIAL: NYLON 66(UL)
- FLAME CLASS: 94V-2
- COLOR: BLACK
- ADHESIVE TAPE: 3M

PART NO	A	B	C	D	E	F	PACKAGE
FWF-1F	24.0	12.0	3.6	9.6	4.8	2.6	500
FWF-1N	24.0	12.0	4.1	9.6	4.8	3.1	
FWF-1P	24.0	12.0	4.1	9.4	5.2	3.1	



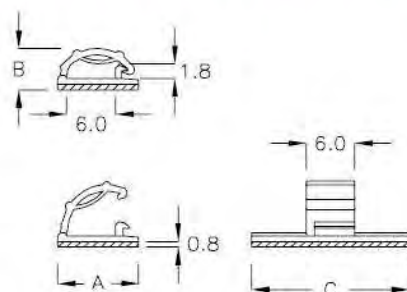
電線固定座 WIRE MOUNT

6-7-4

- MATERIAL: NYLON 66(UL)
- FLAME CLASS: 94V-2
- COLOR: NATURAL
- ADHESIVE TAPE: 3M

WITH LOCK FEATURE

PART NO	A	B	C	PACKAGE
CHW-1C	10.0	5.5	19.5	500

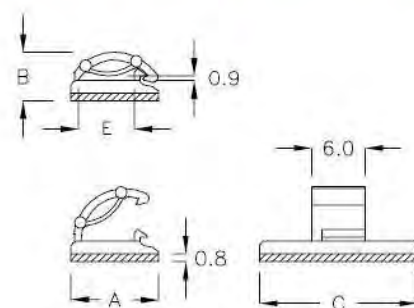




電線固定座 WIRE MOUNT

6-8-1

- MATERIAL: NYLON 66(UL)
- FLAME CLASS: 94V-2
- COLOR: NATURAL
- ADHESIVE TAPE: 3M



WITH LOCK FEATURE

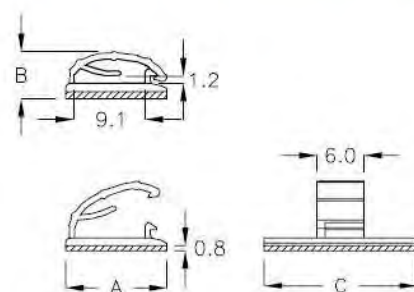
PART NO	A	B	C	E	PACKAGE
CHW-01	10.0	5.8	19.5	6.0	500
CHW-2M	14.1	8.4	19.6	10.35	
CHW-04	10.0	5.8	12.0	6.0	
CHW-05	10.0	5.8	18.8	6.3	
CHW-07	10.0	5.8	19.5	6.1	



電線固定座 WIRE MOUNT

6-8-2

- MATERIAL: NYLON 66(UL)
- FLAME CLASS: 94V-2
- COLOR: NATURAL
- ADHESIVE TAPE: 3M



WITH LOCK FEATURE

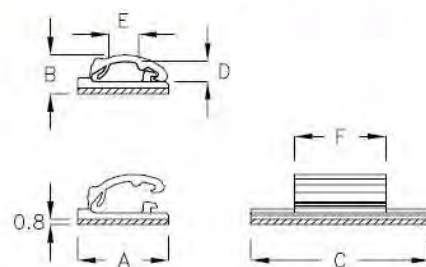
PART NO	A	B	C	PACKAGE
CHW-2K	13.0	6.3	20.0	500



電線固定座 WIRE MOUNT

6-8-3

- MATERIAL: NYLON 66(UL)
- FLAME CLASS: 94V-2
- COLOR: NATURAL
- ADHESIVE TAPE: 3M



WITH LOCK FEATURE

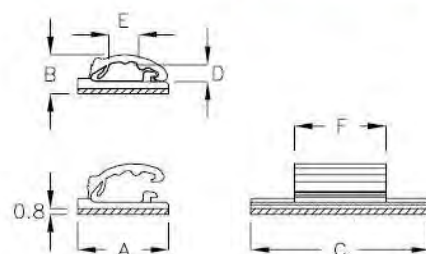
PART NO	A	B	C	D	E	F	PACKAGE
CHW-2Q	10.0	4.7	19.5	2.2	3.3	10.0	500



電線固定座 WIRE MOUNT

6-8-4

- MATERIAL: NYLON 66(UL)
- FLAME CLASS: 94V-2
- COLOR: NATURAL
- ADHESIVE TAPE: 3M



WITH LOCK FEATURE

PART NO	A	B	C	D	E	F	PACKAGE
CHW-2AC	10.0	4.7	19.5	1.8	3.3	10.0	500

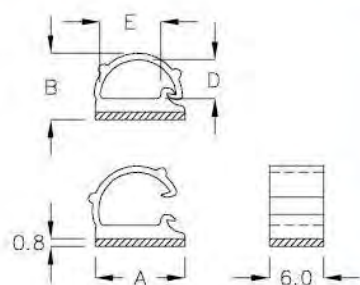


電線固定座 WIRE MOUNT 6-9-1

- MATERIAL: NYLON 66(UL)
- FLAME CLASS: 94V-2
- COLOR: BLACK
- ADHESIVE TAPE: 3M

WITH LOCK FEATURE

PART NO	A	B	D	E	PACKAGE
CHW-10MK	10.0	7.3	4.2	6.4	500

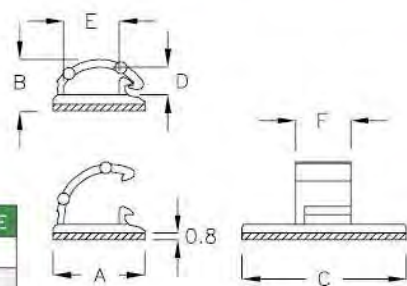


電線固定座 WIRE MOUNT 6-9-2

- MATERIAL: NYLON 66(UL)
- FLAME CLASS: 94V-2
- COLOR: NATURAL
- ADHESIVE TAPE: 3M

WITH LOCK FEATURE

PART NO	A	B	C	D	E	F	PACKAGE
CHW-1A	10.0	6.1	19.5	3.0	6.0	6.0	500
CHW-1J	8.5	4.7	12.0	1.8	3.5	7.0	1000
CHW-2C	10.0	6.3	20.0	3.0	5.9	11.0	500
CHW-3R	10.0	7.9	30.0	4.3	5.4	20.0	

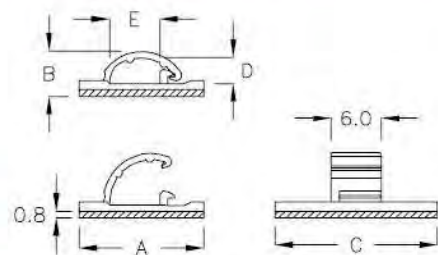


電線固定座 WIRE MOUNT 6-9-3

- MATERIAL: NYLON 66(UL)
- FLAME CLASS: 94V-2
- COLOR: BLACK
- ADHESIVE TAPE: 3M

WITH LOCK FEATURE

PART NO	A	B	C	D	E	PACKAGE
CHW-1D	15.0	5.4	19.5	3.0	6.0	500
CHW-1H	15.0	5.3	19.5	2.5	6.0	

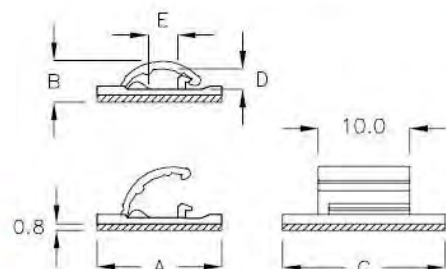


電線固定座 WIRE MOUNT 6-9-4

- MATERIAL: NYLON 66(UL)
- FLAME CLASS: 94V-2
- COLOR: BLACK
- ADHESIVE TAPE: 3M

WITH LOCK FEATURE

PART NO	A	B	C	D	E	PACKAGE
CHW-1F	15.0	5.4	19.5	2.5	3.4	500

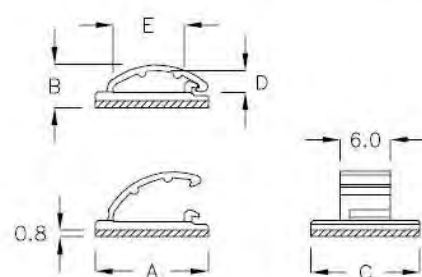




電線固定座 WIRE MOUNT

6-10-1

- MATERIAL: NYLON 66(UL)
- FLAME CLASS: 94V-2
- COLOR: BLACK
- ADHESIVE TAPE: 3M



WITH LOCK FEATURE

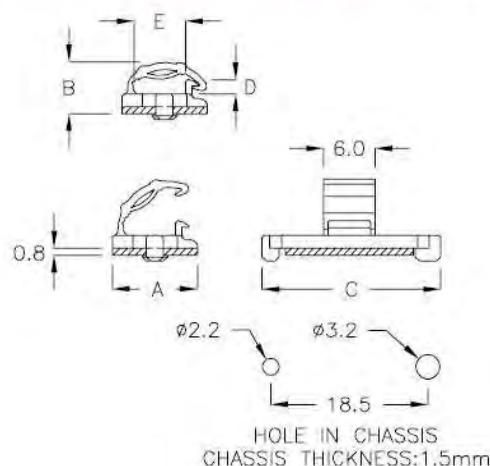
PART NO	A	B	C	D	E	PACKAGE
CHW-4NJ	13.5	5.1	13.0	2.6	8.5	500



電線固定座 WIRE MOUNT

6-10-2

- MATERIAL: NYLON 66(UL)
- FLAME CLASS: 94V-2
- COLOR: NATURAL
- ADHESIVE TAPE: 3M



WITH LOCK FEATURE

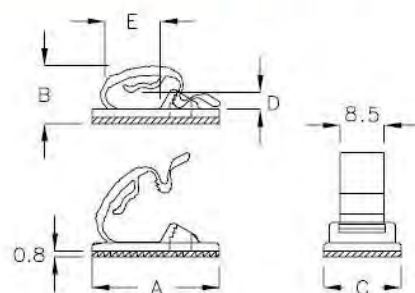
PART NO	A	B	C	D	E	PACKAGE
CZQ-1SK	10.0	6.1	21.0	1.7	6.0	500



電線固定座 WIRE MOUNT

6-10-3

- MATERIAL: NYLON 66(UL)
- FLAME CLASS: 94V-2
- COLOR: NATURAL
- ADHESIVE TAPE: 3M



WITH LOCK FEATURE

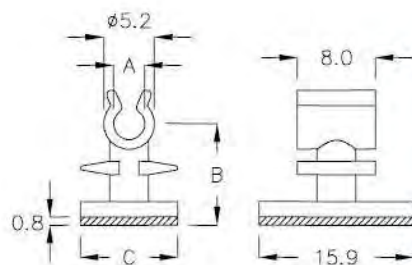
PART NO	A	B	C	D	E	PACKAGE
CZJ-20K	20.5	10.1	12.5	2.7	8.8	500



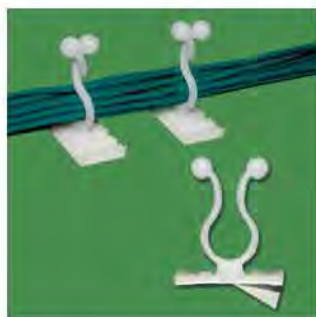
電線固定座 WIRE MOUNT

6-11-1

- MATERIAL: NYLON 66(UL)
- FLAME CLASS: 94V-2
- COLOR: NATURAL
- ADHESIVE TAPE: 3M



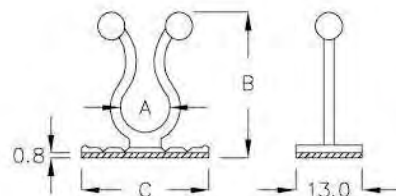
PART NO	A	B	C	PACKAGE
FGH-01	∅3.2	10.3	10.0	500



電線固定座 MOUNTING PURSE LOCK

6-11-2

- MATERIAL: NYLON 66(UL)
- FLAME CLASS: 94V-2
- COLOR: NATURAL
- ADHESIVE TAPE: 3M
- SUIT FOR ARCUATE SURFACE



WITH LOCK FEATURE

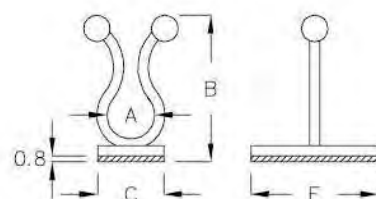
PART NO	A	B	C	CLOSE DIA	PACKAGE
AB-8C	9.5	28.2	25.0	∅8.2	500



電線固定座 MOUNTING PURSE LOCK

6-11-3

- MATERIAL: NYLON 66(UL)
- FLAME CLASS: 94V-2
- COLOR: NATURAL, BLACK
- ADHESIVE TAPE: 3M



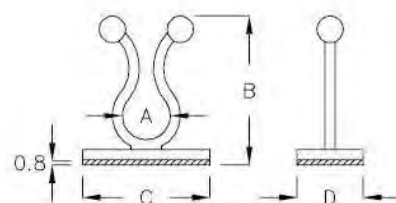
WITH LOCK FEATURE

PART NO	A	B	C	E	CLOSE DIA	PACKAGE
AB-4	6.7	28.6	10.0	19.8	∅5.8	500
AB-9	11.0	31.3	9.0	19.2	∅10.5	200



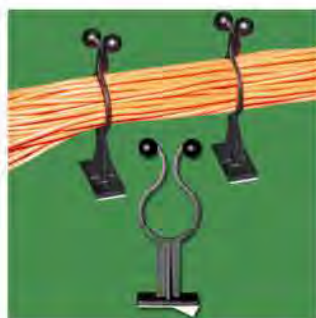
電線固定座 MOUNTING PURSE LOCK ——— 6-12-1 |

- MATERIAL: NYLON 66(UL)
- FLAME CLASS: 94V-2
- COLOR: NATURAL
- ADHESIVE TAPE: 3M



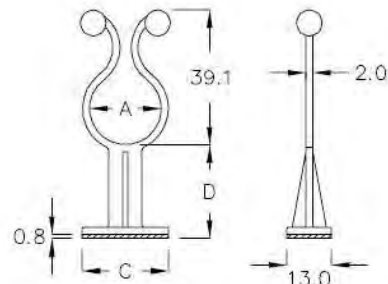
WITH LOCK FEATURE

PART NO	A	B	C	D	CLOSE DIA	PACKAGE
AB-3DT	4.0	18.0	18.0	14.0	ø3.0	500
AB-04C	4.9	25.2	20.0	13.0	ø4.0	
AB-04D	4.9	21.1	14.5	15.5	ø4.0	
AB-05C	6.0	24.7	20.0	13.0	ø5.0	
AB-7	8.7	22.8	20.0	13.0	ø7.0	
AB-07C	8.7	23.0	15.5	16.0	ø7.0	
AB-8	9.5	28.2	25.0	13.0	ø8.2	
AB-08D	9.5	25.4	15.5	20.0	ø8.2	
AB-8FA	9.5	27.0	20.0	14.0	ø8.5	
AB-10	10.8	31.3	21.1	19.2	ø10.0	200
AB-10D	10.8	27.3	18.5	21.0	ø10.0	
AB-12A	14.0	35.5	22.0	13.0	ø12.5	
AB-13	14.8	35.5	22.0	13.0	ø13.0	
AB-13A	14.8	35.5	25.0	20.0	ø13.3	
AB-16	17.8	39.4	25.0	13.0	ø16.2	
AB-16C	17.9	39.3	25.0	18.0	ø16.0	
AB-18	20.0	39.0	25.0	18.0	ø18.0	
AB-20R	22.2	43.0	25.4	25.4	ø20.5	
AB-22	21.0	40.8	25.2	13.0	ø19.0	



電線固定座 MOUNTING PURSE LOCK ——— 6-12-2 |

- MATERIAL: NYLON 66(UL)
- FLAME CLASS: 94V-2
- COLOR: BLACK
- ADHESIVE TAPE: 3M



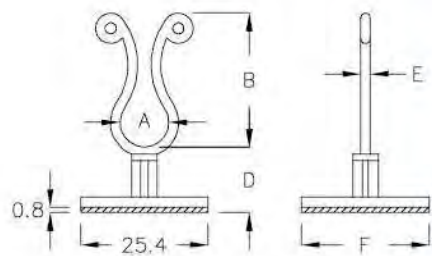
WITH LOCK FEATURE

PART NO	A	C	D	CLOSE DIA	PACKAGE
AB-18JK	21.0	25.2	26.8	ø18.5	200
AB-18MD	21.0	25.2	16.8	ø18.5	



電線固定座 MOUNTING PURSE LOCK ——— 6-13-1 |

- MATERIAL: NYLON 66(UL)
- FLAME CLASS: 94V-2
- COLOR: NATURAL
- ADHESIVE TAPE: 3M



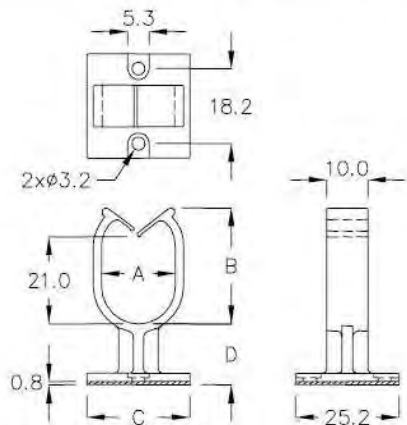
WITH LOCK FEATURE

PART NO	A	B	D	E	F	CLOSE DIA	PACKAGE
AB-8S	9.6	26.3	6.25	1.9	25.4	∅8.5	200
AB-8H	9.6	26.3	12.6	1.9	25.4	∅8.5	
AB-10A	11.6	28.0	27.3	1.9	25.4	∅10.2	
AB-11A	11.4	27.4	4.8	2.0	13.0	∅9.7	



隔離束線座 WIRE SADDLE ——— 6-13-2 |

- MATERIAL: NYLON 66(UL)
- FLAME CLASS: 94V-2
- COLOR: BLACK
- ADHESIVE TAPE: 3M

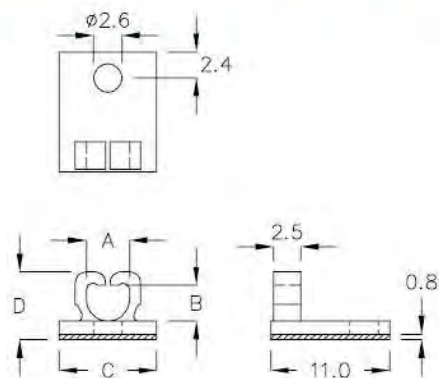


PART NO	A	B	C	D	PACKAGE
CHAD-42JF	18.0	28.0	25.2	14.8	100



隔離束線座 WIRE SADDLE ——— 6-13-3 |

- MATERIAL: NYLON 66(UL)
- FLAME CLASS: 94V-2
- COLOR: NATURAL
- ADHESIVE TAPE: 3M
- ALSO CAN BE FASTENED WITH M2.5 SCREW



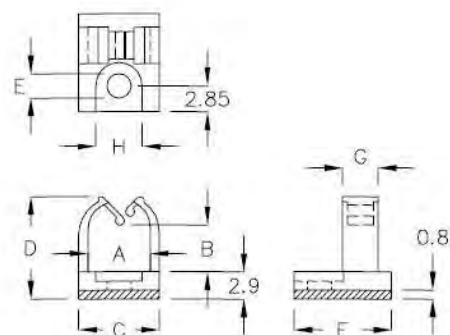
PART NO	A	B	C	D	PACKAGE
CHF-4A	4.0	3.3	9.0	6.5	1000



隔離束線座 WIRE SADDLE

6-14-1

- MATERIAL: NYLON 66(UL)
- FLAME CLASS: 94V-2
- COLOR: NATURAL
- ADHESIVE TAPE: 3M
- ALSO CAN BE FASTENED WITH M2.5 or M3 SCREW



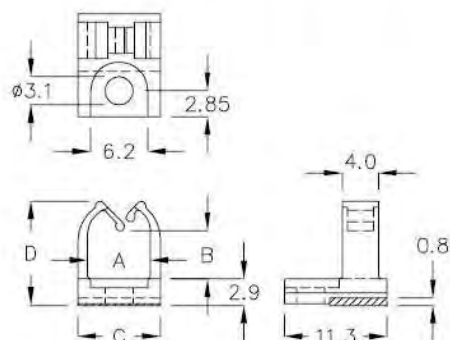
PART NO	A	B	C	D	E	F	G	H	USE SCREW	PACKAGE
CHF-8	6.9	5.0	9.1	11.3	∅2.7	11.0	4.1	5.1	M2.5	500
CHF-8A	6.9	5.0	9.1	11.2	∅3.1	11.0	4.1	5.1	M3	
CHF-8C	7.0	8.8	9.0	15.0	∅2.7	10.9	4.0	5.2	M2.5	



隔離束線座 WIRE SADDLE

6-14-2

- MATERIAL: NYLON 66(UL)
- FLAME CLASS: 94V-2
- COLOR: NATURAL
- ADHESIVE TAPE: 3M
- ALSO CAN BE FASTENED WITH M3 SCREW



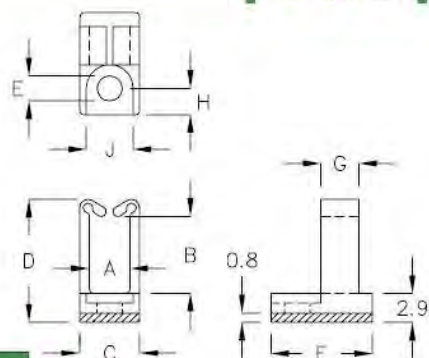
PART NO	A	B	C	D	PACKAGE
CHFQ-6DM	6.9	5.25	9.1	11.4	1000



隔離束線座 WIRE SADDLE

6-14-3

- MATERIAL: NYLON 66(UL)
- FLAME CLASS: 94V-2
- COLOR: NATURAL, BLACK
- ADHESIVE TAPE: 3M
- ALSO CAN BE FASTENED WITH M2.5 or M3 SCREW

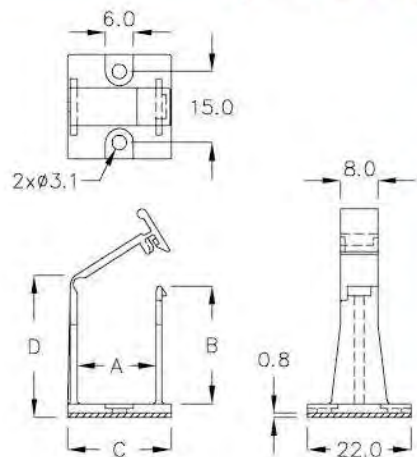


PART NO	A	B	C	D	E	F	G	H	J	USE SCREW	PACKAGE
CHFA-4RQ	4.7	8.3	6.5	13.0	∅2.7	11.0	4.1	2.9	5.1	M2.5	1000
CHFA-6QW	6.8	13.9	10.0	19.6	∅3.1	15.0	5.0	5.0	5.1	M3	
★ CHFA-11AM	11.5	16.3	15.5	23.2	∅3.1	19.0	5.3	5.0	5.1	M3	200
CHFA-15GM	15.5	33.4	19.5	40.7	∅3.1	19.0	8.0	4.5	5.6	M3	200
CHFA-18TK	18.0	38.7	22.0	46.0	∅3.1	22.0	8.0	5.0	5.6	M3	1000



隔離束線座 WIRE SADDLE ————— **6-15-1** |

- MATERIAL: NYLON 66(UL)
- FLAME CLASS: 94V-2
- COLOR: BLACK
- ADHESIVE TAPE: 3M
- ALSO CAN BE FASTENED WITH M3 SCREW



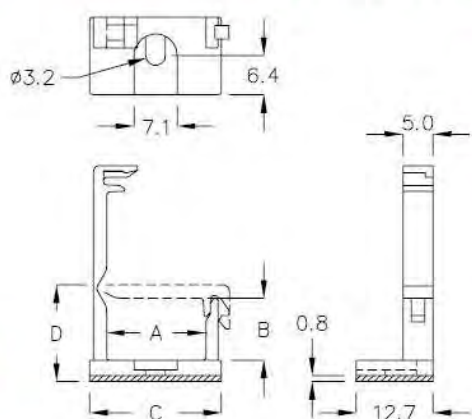
WITH LOCK FEATURE

PART NO	A	B	C	D	PACKAGE
CHFR-16M	16.8	37.2	22.0	42.0	100



隔離束線座 WIRE SADDLE ————— **6-15-2** |

- MATERIAL: NYLON 66(UL)
- FLAME CLASS: 94V-2
- COLOR: NATURAL
- ADHESIVE TAPE: 3M
- ALSO CAN BE FASTENED WITH M3 SCREW



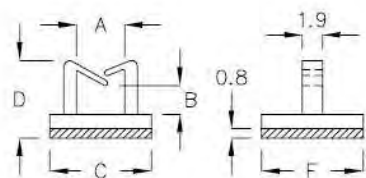
WITH LOCK FEATURE

PART NO	A	B	C	D	PACKAGE
CKMH-16	16.3	10.1	21.6	15.6	200



隔離束線座 WIRE SADDLE ————— **6-15-3** |

- MATERIAL: NYLON 66(UL)
- FLAME CLASS: 94V-2
- COLOR: NATURAL
- ADHESIVE TAPE: 3M

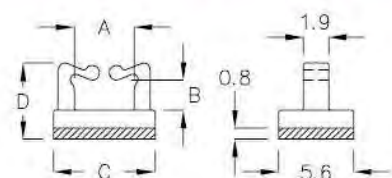


PART NO	A	B	C	D	F	PACKAGE
AB-20C	4.55	2.7	9.6	7.2	9.6	2000
AB-20H	4.5	2.7	8.0	7.3	8.8	
AB-20JQ	4.5	2.7	8.0	7.3	6.0	



隔離束線座 WIRE SADDLE ————— **6-15-4** |

- MATERIAL: NYLON 66(UL)
- FLAME CLASS: 94V-2
- COLOR: BLACK
- ADHESIVE TAPE: 3M



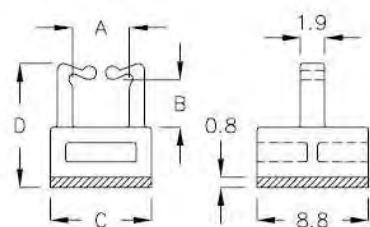
PART NO	A	B	C	D	PACKAGE
ABH-4K	4.5	2.2	7.6	5.65	2000



隔離束線座 WIRE SADDLE

6-16-1

- MATERIAL: NYLON 66(UL)
- FLAME CLASS: 94V-2
- COLOR: BLACK
- ADHESIVE TAPE: 3M



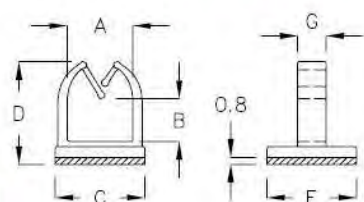
PART NO	A	B	C	D	PACKAGE
ABH-4GN	4.5	3.7	8.0	9.7	1000



隔離束線座 WIRE SADDLE

6-16-2

- MATERIAL: NYLON 66(UL)
- FLAME CLASS: 94V-2
- COLOR: NATURAL
- ADHESIVE TAPE: 3M



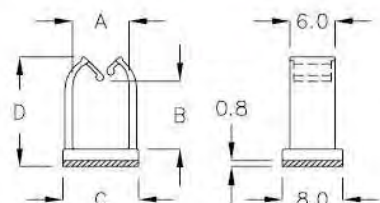
PART NO	A	B	C	D	F	G	PACKAGE
CAR-4A	4.5	2.95	9.4	8.25	9.4	2.0	2000
CAR-9CD	9.2	6.0	12.7	14.2	12.7	4.0	500



隔離束線座 WIRE SADDLE

6-16-3

- MATERIAL: NYLON 66(UL)
- FLAME CLASS: 94V-2
- COLOR: BLACK
- ADHESIVE TAPE: 3M



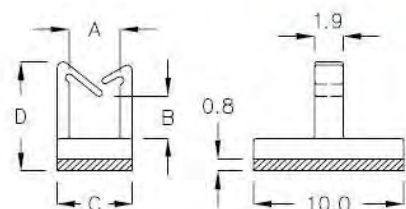
PART NO	A	B	C	D	PACKAGE
CAM-7DF	7.5	9.0	10.0	14.5	500



隔離束線座 WIRE SADDLE

6-16-4

- MATERIAL: NYLON 66(UL)
- FLAME CLASS: 94V-2
- COLOR: NATURAL
- ADHESIVE TAPE: 3M



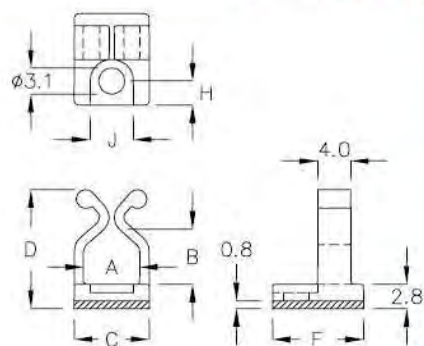
PART NO	A	B	C	D	PACKAGE
ABD-10P	3.4	2.7	5.0	7.2	2000



隔離束線座 WIRE SADDLE

6-17-1

- MATERIAL: NYLON 66(UL)
- FLAME CLASS: 94V-2
- COLOR: BLACK,NATURAL
- ADHESIVE TAPE: 3M
- ALSO CAN BE FASTENED WITH M3 SCREW



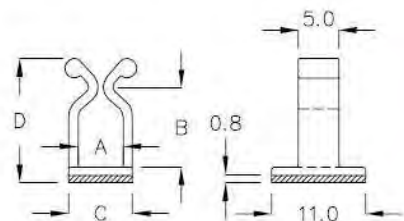
PART NO	A	B	C	D	F	H	J	PACKAGE
CHFD-6RM	6.8	6.3	9.0	14.1	10.9	2.85	5.2	1000
CHFD-9GD	9.0	9.0	12.7	18.3	12.7	3.5	5.3	



隔離束線座 WIRE SADDLE

6-17-2

- MATERIAL: NYLON 66(UL)
- FLAME CLASS: 94V-0
- COLOR: BLACK
- ADHESIVE TAPE: 3M



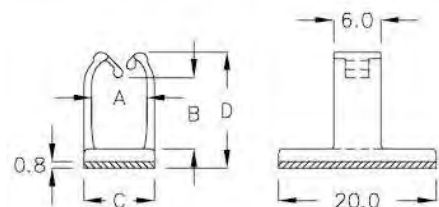
PART NO	A	B	C	D	PACKAGE
CHFT-5AM	5.3	9.0	7.5	15.8	1000



隔離束線座 WIRE SADDLE

6-17-3

- MATERIAL: NYLON 66(UL)
- FLAME CLASS: 94V-2
- COLOR: NATURAL
- ADHESIVE TAPE: 3M



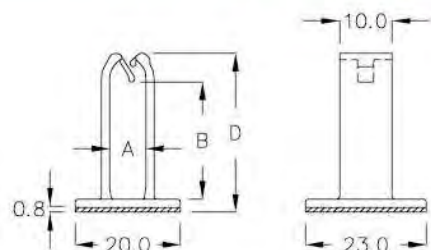
PART NO	A	B	C	D	PACKAGE
CML-7RJ	7.0	9.0	9.0	14.6	500



隔離束線座 WIRE SADDLE

6-17-4

- MATERIAL: NYLON 66(UL)
- FLAME CLASS: 94V-0
- COLOR: BLACK
- ADHESIVE TAPE: 3M



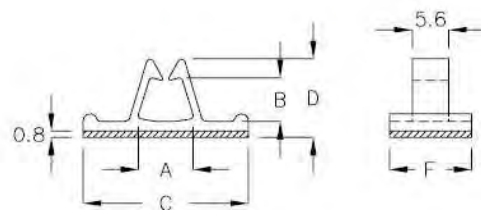
PART NO	A	B	C	D	PACKAGE
CMLA-6	6.8	25.0	20.0	32.8	200



隔離束線座 WIRE SADDLE

6-18-1

- MATERIAL: NYLON 66(UL)
- FLAME CLASS: 94V-2
- COLOR: NATURAL
- ADHESIVE TAPE: 3M



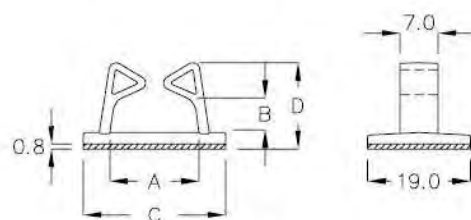
PART NO	A	B	C	D	F	PACKAGE
AB-15A	8.4	6.7	25.5	12.0	12.7	500
AB-15F	8.4	6.0	17.6	11.3	8.9	



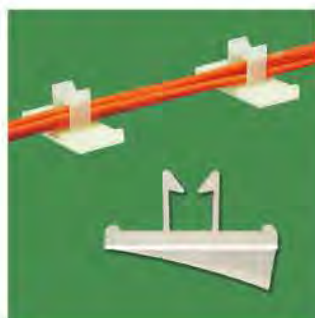
電線固定座 WIRE MOUNT

6-18-2

- MATERIAL: NYLON 66(UL)
- FLAME CLASS: 94V-2
- COLOR: BLACK
- ADHESIVE TAPE: 3M



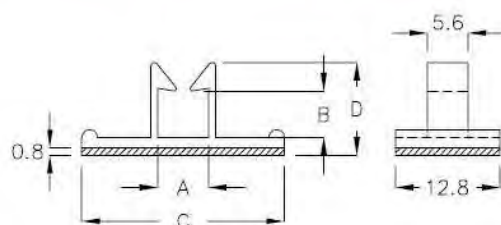
PART NO	A	B	C	D	PACKAGE
AB-15H	16.6	6.3	26.4	15.7	500



隔離束線座 WIRE SADDLE

6-18-3

- MATERIAL: NYLON 66(UL)
- FLAME CLASS: 94V-2
- COLOR: NATURAL
- ADHESIVE TAPE: 3M



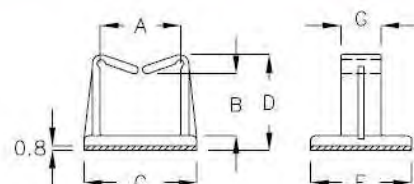
PART NO	A	B	C	D	PACKAGE
AB-15	6.4	5.8	25.5	11.5	500
AB-15C	6.4	4.5	19.0	10.2	



隔離束線座 WIRE SADDLE

6-18-4

- MATERIAL: NYLON 66(UL)
- FLAME CLASS: 94V-2
- COLOR: NATURAL, BLACK
- ADHESIVE TAPE: 3M



PART NO	A	B	C	D	F	G	PACKAGE
AB-11KW	11.5	26.8	17.0	34.7	13.5	5.3	200
AB-20GP	20.0	15.3	28.0	23.3	25.0	10.0	100

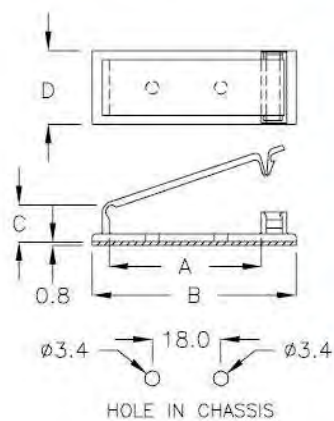


電線固定板 FLAT CABLE CLAMP

6-39-1

- MATERIAL: NYLON 66(UL)
- FLAME CLASS: 94V-2
- COLOR: BLACK
- ADHESIVE TAPE: 3M
- ALSO CAN BE FASTENED WITH M3 SCREW

PART NO	A	B	C	D	PACKAGE
FCW-40GQ	40.0	53.5	11.2	19.3	100



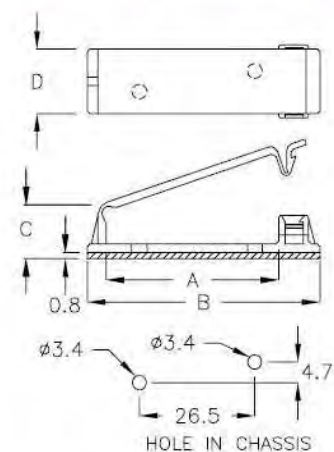
排線固定板 FLAT CABLE CLAMP

6-39-2

- MATERIAL: NYLON 66(UL)
- FLAME CLASS: 94V-2
- COLOR: NATURAL
- ADHESIVE TAPE: 3M
- ALSO CAN BE FASTENED WITH M3 SCREW

WITH LOCK FEATURE

PART NO	A	B	C	D	PACKAGE
FCW-40MH	39.7	53.5	11.7	14.7	100

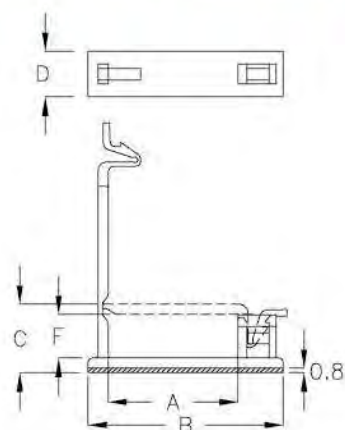


電線固定板 CABLE CLAMP

6-39-3

- MATERIAL: NYLON 66(UL)
- FLAME CLASS: 94V-2
- COLOR: NATURAL, BLACK
- ADHESIVE TAPE: 3M

PART NO	A	B	C	D	F	PACKAGE
FCW-23GK	23.0	34.5	12.0	8.0	7.6	200

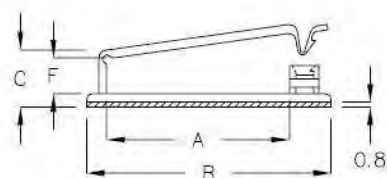
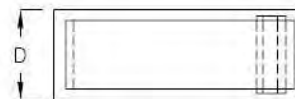




電線固定板 CABLE CLAMP

6-40-1

- MATERIAL: NYLON 66(UL)
- FLAME CLASS: 94V-2
- COLOR: NATURAL
- ADHESIVE TAPE: 3M



WITH LOCK FEATURE

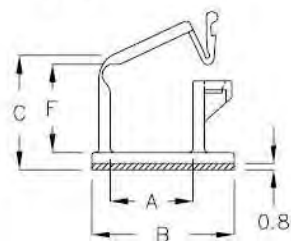
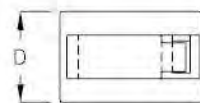
PART NO	A	B	C	D	F	PACKAGE
FCW-4CK	4.7	12.0	8.6	9.5	5.0	1000
FCW-13RT	13.7	23.0	21.8	20.0	17.0	100
FCW-16A	16.7	26.0	27.9	20.0	23.6	
FCW-17HD	17.0	26.2	14.2	10.0	10.2	
FCW-35QT	21.6	35.0	17.6	15.0	13.0	
FCW-27A	26.9	38.0	16.4	15.0	12.5	
FCW-27KM	27.0	38.5	14.4	11.2	9.5	
FCW-27CS	27.0	38.5	14.4	15.0	9.5	
FCW-29	31.6	45.4	10.4	18.9	5.5	
FCW-30	32.0	45.7	12.2	19.2	7.0	
FCW-32MT	32.7	44.7	21.7	15.0	15.8	
FCW-31F	31.6	45.0	18.4	15.0	13.0	
FCW-35XR	35.0	48.9	11.5	13.0	6.5	
FCW-36CT	36.0	44.8	17.6	12.7	13.1	
FCW-40	39.7	53.5	13.1	19.2	7.7	
FCW-40K	39.7	53.5	15.3	19.3	10.0	
FCW-41	41.3	55.2	10.4	18.7	5.0	
FCW-41RK	41.4	55.2	10.4	18.8	5.0	
FCW-50	64.0	77.5	12.3	19.2	6.5	
FCW-50H	65.2	79.2	18.8	18.9	13.3	
FCW-52KT	52.2	61.0	13.4	12.7	8.8	
FCW-52A	52.6	66.5	15.8	19.8	10.1	



電線固定板 CABLE CLAMP

6-40-2

- MATERIAL: NYLON 66(UL)
- FLAME CLASS: 94V-2
- COLOR: NATURAL
- ADHESIVE TAPE: 3M



WITH LOCK FEATURE

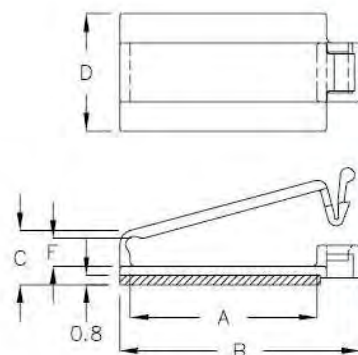
PART NO	A	B	C	D	F	PACKAGE
FCW-11JM	11.0	19.0	15.9	12.0	11.8	200



電線固定板 CABLE CLAMP

6-41-1

- MATERIAL: NYLON 66(UL)
- FLAME CLASS: 94V-2
- COLOR: NATURAL
- ADHESIVE TAPE: 3M



WITH LOCK FEATURE

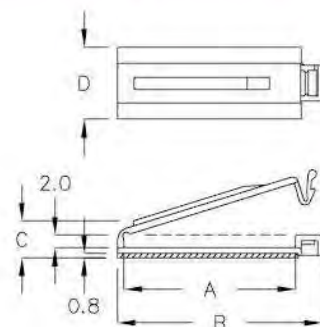
PART NO	A	B	C	D	F	PACKAGE
FCW-16QS	16.0	20.6	4.3	10.0	2.0	500



電線固定板 CABLE CLAMP

6-41-2

- MATERIAL: NYLON 66(UL)
- FLAME CLASS: 94V-2
- COLOR: NATURAL
- ADHESIVE TAPE: 3M



WITH LOCK FEATURE

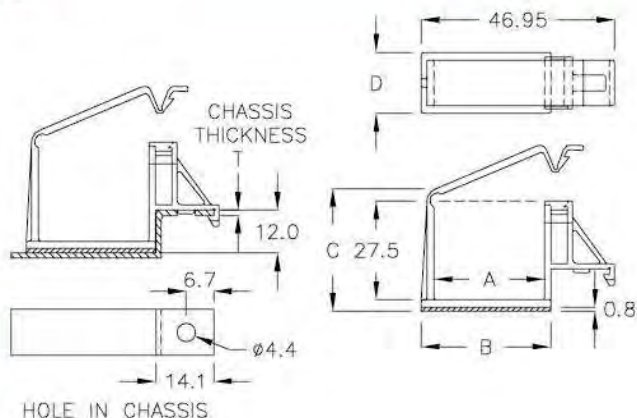
PART NO	A	B	C	D	PACKAGE
FCW-16GR	16.0	20.6	5.3	10.0	200
FCW-24GR	24.0	28.6	6.2	10.0	
FCW-30GR	30.0	34.6	5.3	10.0	



電線固定座 WIRE MOUNT

6-41-3

- MATERIAL: NYLON 66(UL)
- FLAME CLASS: 94V-2
- COLOR: NATURAL
- ADHESIVE TAPE: 3M



WITH LOCK FEATURE

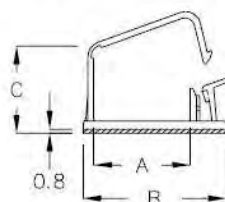
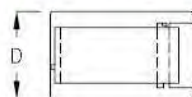
PART NO	A	B	C	D	T CHASSIS THICKNESS	PACKAGE
FCWT-27QH	26.9	31.5	30.4	14.8	1.2	100



電線固定板 CABLE CLAMP

6-42-1

- MATERIAL: NYLON 66(UL)
- FLAME CLASS: 94V-2
- COLOR: NATURAL
- ADHESIVE TAPE: 3M



WITH LOCK FEATURE

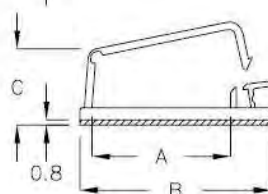
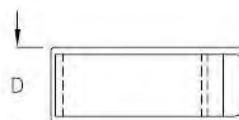
PART NO	A	B	C	D	PACKAGE
FWT-17C	17.0	26.2	14.2	10.0	100
FWT-21	21.0	31.0	19.3	19.0	



電線固定板 CABLE CLAMP

6-42-2

- MATERIAL: NYLON 66(UL)
- FLAME CLASS: 94V-2
- COLOR: NATURAL
- ADHESIVE TAPE: 3M



WITH LOCK FEATURE

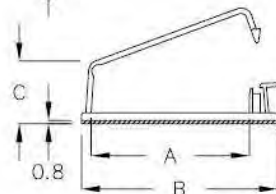
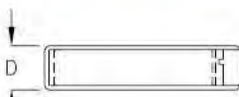
PART NO	A	B	C	D	PACKAGE
FWT-25	31.6	45.0	18.8	19.05	100
FWT-25A	33.0	44.45	11.2	19.05	



電線固定板 CABLE CLAMP

6-42-3

- MATERIAL: NYLON 66(UL)
- FLAME CLASS: 94V-2
- COLOR: BLACK
- ADHESIVE TAPE: 3M



WITH LOCK FEATURE

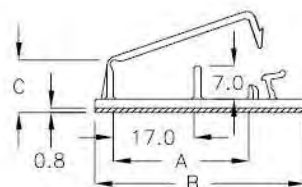
PART NO	A	B	C	D	PACKAGE
FWT-53C	53.9	66.7	22.5	15.0	100



電線固定板 CABLE CLAMP

6-42-4

- MATERIAL: NYLON 66(UL)
- FLAME CLASS: 94V-2
- COLOR: NATURAL
- ADHESIVE TAPE: 3M



WITH LOCK FEATURE

PART NO	A	B	C	D	PACKAGE
FCY-27SY	28.5	44.4	11.0	19.0	100

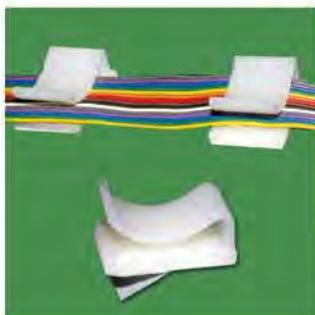
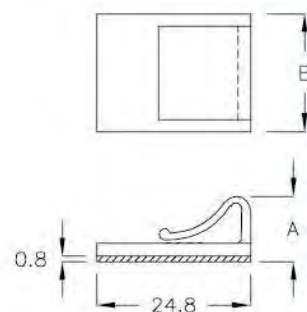


排線固定板 FLAT CABLE CLAMP

6-43-1

- MATERIAL: NYLON 66(UL)
- FLAME CLASS: 94V-2
- COLOR: NATURAL
- ADHESIVE TAPE: 3M

PART NO	A	B	PACKAGE
FC-10N	10.4	18.8	500

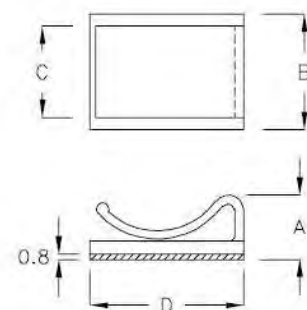


排線固定板 FLAT CABLE CLAMP

6-43-2

- MATERIAL: NYLON 66(UL)
- FLAME CLASS: 94V-2
- COLOR: NATURAL
- ADHESIVE TAPE: 3M

PART NO	A	B	C	D	PACKAGE
FC-15N	10.5	19.0	15.0	25.0	200
FC-25N	10.5	25.0	23.0	25.2	

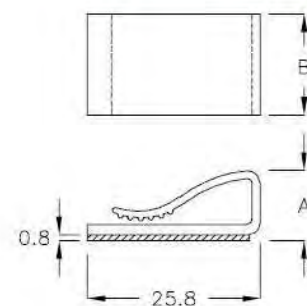


排線固定板 FLAT CABLE CLAMP

6-43-3

- MATERIAL: NYLON 66(UL)
- COLOR: GRAY
- ADHESIVE TAPE: 3M

PART NO	A	B	PACKAGE
FB-15A	10.3	15.0	1000

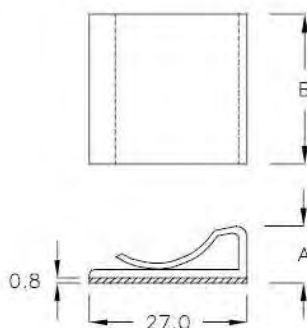


排線固定板 FLAT CABLE CLAMP

6-43-4

- MATERIAL: NYLON 66(UL)
- FLAME CLASS: 94V-2
- COLOR: NATURAL
- ADHESIVE TAPE: 3M

PART NO	A	B	PACKAGE
FC-25A	9.6	25.4	500

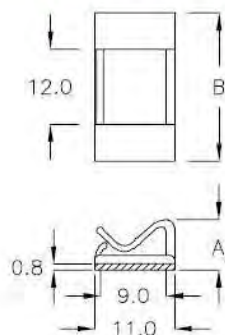




排線固定板 FLAT CABLE CLAMP

6-44-1

- MATERIAL: NYLON 66(UL)
- FLAME CLASS: 94V-2
- COLOR: NATURAL
- ADHESIVE TAPE: 3M



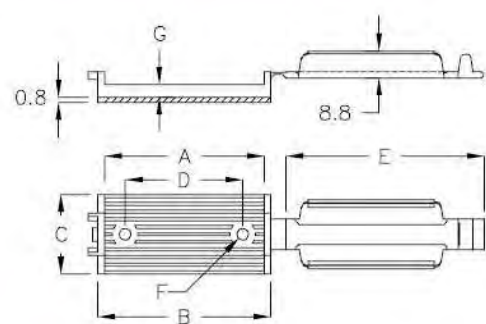
PART NO	A	B	PACKAGE
FCR-09	6.8	22.0	1000



排線固定板 FLAT CABLE CLAMP

6-44-2

- MATERIAL: NYLON 66(UL)
- FLAME CLASS: 94V-2
- COLOR: NATURAL
- ADHESIVE TAPE: 3M
- ALSO CAN BE FASTENED WITH M3 SCREW



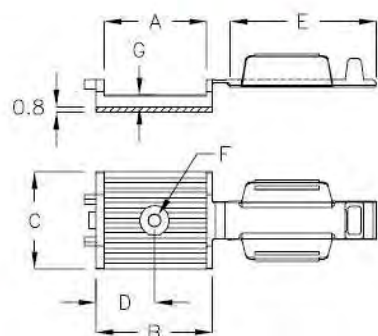
PART NO	A	B	C	D	E	F	G	SUITABLE CABLE	PACKAGE
FCM-50	53.0	57.3	26.0	39.0	64.6	2- ϕ 3.8	4.1	40 PIN	100



排線固定板 FLAT CABLE CLAMP

6-44-3

- MATERIAL: NYLON 66(UL)
- FLAME CLASS: 94V-2
- COLOR: NATURAL
- ADHESIVE TAPE: 3M
- ALSO CAN BE FASTENED WITH M3 SCREW



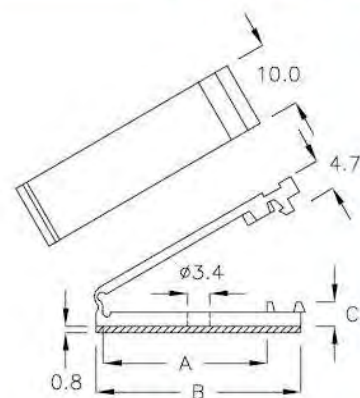
PART NO	A	B	C	D	E	F	G	SUITABLE CABLE	PACKAGE
FCM-26AM	26.6	29.7	25.0	14.85	37.9	ϕ 3.8	3.0	16 PIN	100
FCM-30	30.5	34.5	25.4	17.5	42.0	ϕ 3.8	3.1	24 PIN	
FCM-31	26.8	30.7	25.4	15.5	38.5	ϕ 3.65	3.0	16 PIN	



排線固定板 FLAT CABLE CLAMP

6-45-1

- MATERIAL: NYLON 66(UL)
- FLAME CLASS: 94V-2
- COLOR: NATURAL
- ADHESIVE TAPE: 3M
- ALSO CAN BE FASTENED WITH M3 SCREW



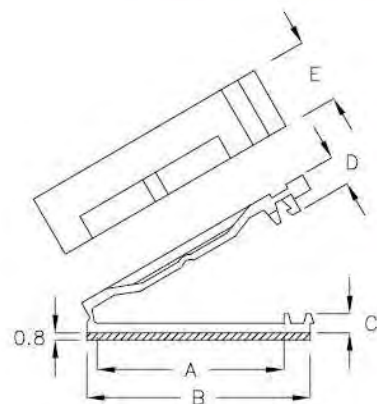
PART NO	A	B	C	SUITABLE CABLE	PACKAGE
FCM-25H	24.8	31.0	3.6	16 PIN	200



排線固定板 FLAT CABLE CLAMP

6-45-2

- MATERIAL: NYLON 66(UL)
- FLAME CLASS: 94V-2
- COLOR: NATURAL
- ADHESIVE TAPE: 3M



WITH LOCK FEATURE

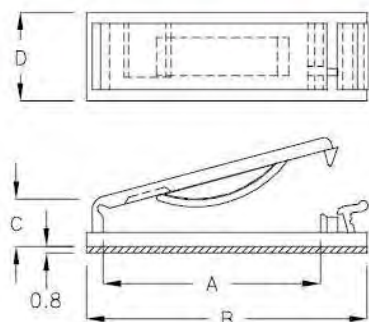
PART NO	A	B	C	D	E	SUITABLE CABLE	PACKAGE
FCM-25S	22.0	28.0	3.0	4.7	10.0	15 PIN	200
FCM-25	29.3	36.5	3.0	4.7	10.0	20 PIN	
FCM-25M	55.8	61.2	4.0	4.7	15.0	40 PIN	100



排線固定板 FLAT CABLE CLAMP

6-45-3

- MATERIAL: NYLON 66(UL)
- FLAME CLASS: 94V-2
- COLOR: NATURAL
- ADHESIVE TAPE: 3M



WITH LOCK FEATURE

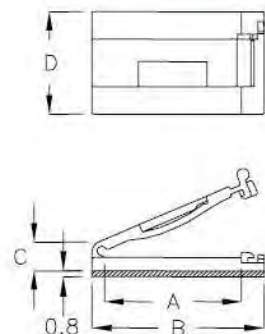
PART NO	A	B	C	D	SUITABLE CABLE	PACKAGE
FCD-25	31.5	40.7	6.8	12.7	25 PIN	100
FCD-40	52.0	61.2	6.9	12.7	40 PIN	



排線固定板 FLAT CABLE CLAMP

6-45-4

- MATERIAL: NYLON 66(UL)
- FLAME CLASS: 94V-2
- COLOR: BLACK
- ADHESIVE TAPE: 3M



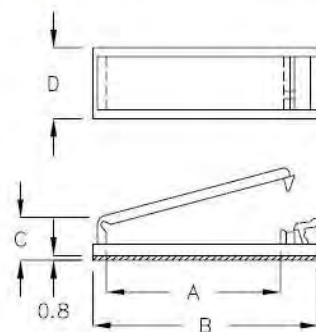
PART NO	A	B	C	D	SUITABLE CABLE	PACKAGE
FDQ-18	17.5	22.0	3.9	13.0	13 PIN	500



排線固定板 FLAT CABLE CLAMP

6-46-1

- MATERIAL: NYLON 66(UL)
- FLAME CLASS: 94V-2
- COLOR: NATURAL
- ADHESIVE TAPE: 3M



WITH LOCK FEATURE

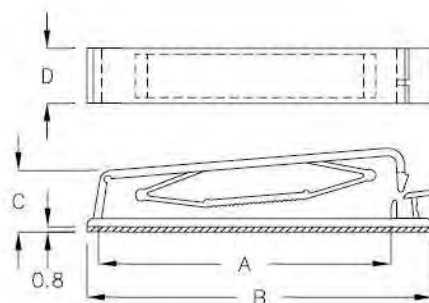
PART NO	A	B	C	D	SUITABLE CABLE	PACKAGE
FCD-17	17.0	26.2	6.6	12.7	13 PIN	200
FCD-19GK	19.0	27.5	12.5	12.7	13 PIN	
FCD-19A	19.0	28.0	5.8	10.0	13 PIN	
FCD-21BH	21.5	30.0	13.5	12.7	13 PIN	100
FCD-26GK	26.5	35.0	8.2	10.0	20 PIN	
FCD-26EZ	26.5	35.0	13.5	12.7	20 PIN	
FCD-27	27.0	36.0	10.8	12.7	20 PIN	
FCD-27C	27.0	36.0	13.8	12.7	20 PIN	
FCD-27F	27.0	36.0	16.5	15.0	20 PIN	
FCD-29KT	29.5	38.0	13.5	12.7	20 PIN	
FCD-31AN	31.0	39.5	7.5	12.7	25 PIN	
FCD-25A	31.1	40.4	7.9	12.7	25 PIN	
FCD-50	50.0	59.0	10.8	12.7	40 PIN	
FCD-40H	52.0	61.2	7.6	12.7	40 PIN	
FCD-60H	62.8	72.2	7.9	12.9	60 PIN	



排線固定板 FLAT CABLE CLAMP

6-46-2

- MATERIAL: NYLON 66(UL)
- FLAME CLASS: 94V-2
- COLOR: NATURAL
- ADHESIVE TAPE: 3M
- *加中隔板
- * WITH ISOLATE BOARD



WITH LOCK FEATURE

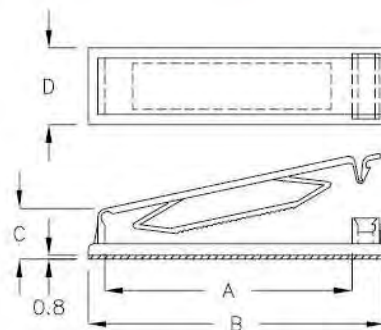
PART NO	A	B	C	D	SUITABLE CABLE	PACKAGE
FCC-25C	32.0	45.0	16.0	19.0	25 PIN	100
*FCC-25K	31.3	40.7	7.2	10.0	25 PIN	
FCC-30	32.0	45.0	16.6	18.6	30 PIN	
FCC-40	54.0	67.0	16.6	15.8	40 PIN	
FCC-40C	53.8	66.0	12.8	10.2	40 PIN	
*FCC-41	54.0	67.0	16.6	15.8	40 PIN	
*FCC-41A	53.7	66.7	17.0	12.8	40 PIN	
FCC-50	65.2	78.4	16.6	18.8	50 PIN	
FCC-50F	63.7	76.2	15.9	19.0	50 PIN	
*FCC-64	83.5	97.5	16.6	16.0	64 PIN	



排線固定板 FLAT CABLE CLAMP

6-47-1

- MATERIAL: NYLON 66(UL)
- FLAME CLASS: 94V-2
- COLOR: NATURAL
- ADHESIVE TAPE: 3M



WITH LOCK FEATURE

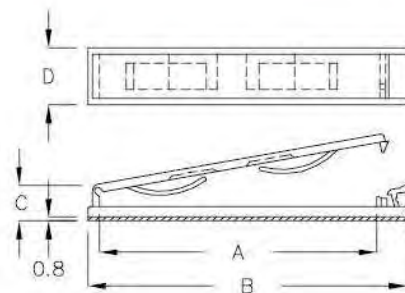
PART NO	A	B	C	D	SUITABLE CABLE	PACKAGE
FWY-50	64.0	77.0	12.6	20.0	50 PIN	100



排線固定板 FLAT CABLE CLAMP

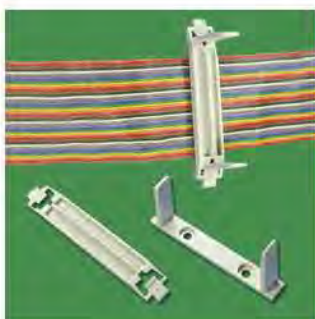
6-47-2

- MATERIAL: NYLON 66(UL)
- FLAME CLASS: 94V-2
- COLOR: NATURAL
- ADHESIVE TAPE: 3M



WITH LOCK FEATURE

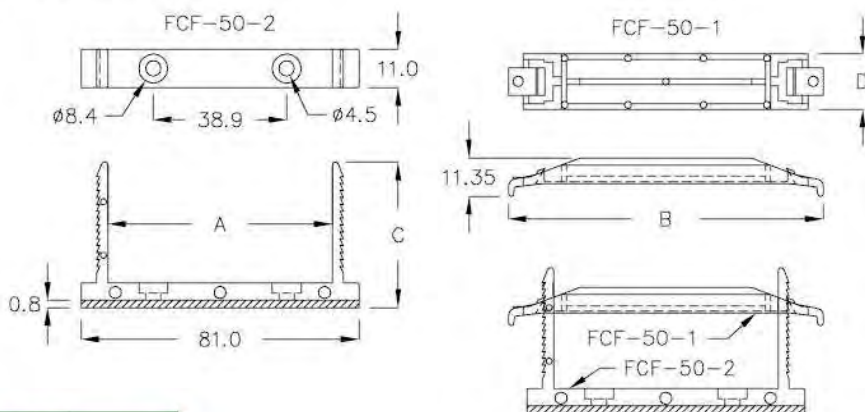
PART NO	A	B	C	D	SUITABLE CABLE	PACKAGE
FCD-60A	62.8	72.2	7.9	12.9	45 PIN	100



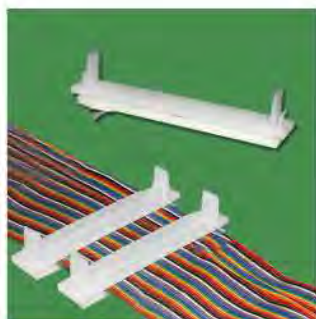
排線固定板 FLAT CABLE CLAMP

6-47-3

- MATERIAL: NYLON 66(UL)
- FLAME CLASS: 94V-2
- COLOR: NATURAL
- ADHESIVE TAPE: 3M
- ALSO CAN BE FASTENED WITH M4 SCREW

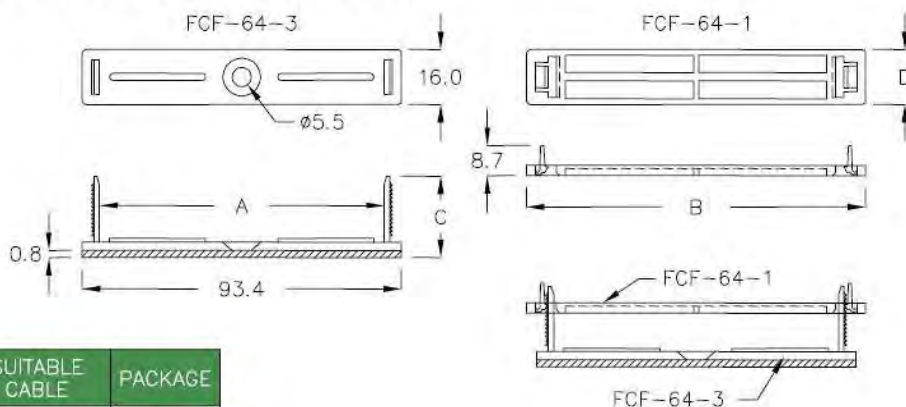


PART NO	A	B	C	D	SUITABLE CABLE	PACKAGE
FCF-50	65.4	91.8	41.1	16.0	50 PIN X30	100



排線固定板 FLAT CABLE CLAMP 6-48-1

- MATERIAL: NYLON 66(UL)
- FLAME CLASS: 94V-2
- COLOR: NATURAL
- ADHESIVE TAPE: 3M
- ALSO CAN BE FASTENED WITH M5 COUNTERSUNK SCREW

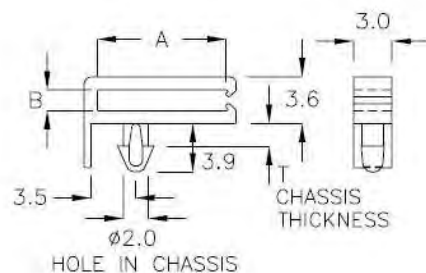


PART NO	A	B	C	D	SUITABLE CABLE	PACKAGE
FCF-64	83.4	99.2	22.7	16.1	64 PIN X12	100



隔離束線座 WIRE SADDLE 6-48-2

- MATERIAL: NYLON 66(UL)
- FLAME CLASS: 94V-2
- COLOR: NATURAL

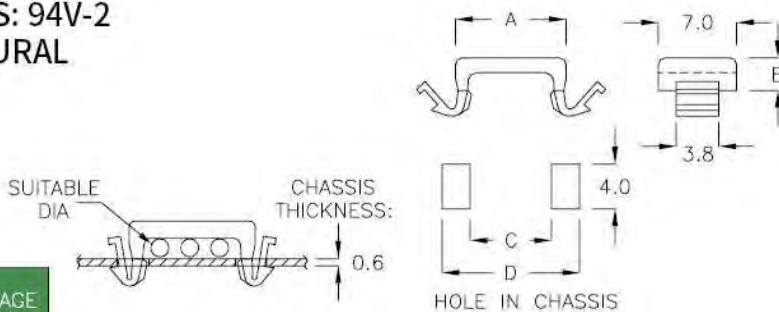


PART NO	A	B	T CHASSIS THICKNESS	PACKAGE
CID-01	10.0	1.6	1.6	2000



電線固定座 WIRE MOUNT 6-48-3

- MATERIAL: NYLON 66(UL)
- FLAME CLASS: 94V-2
- COLOR: NATURAL



PART NO	A	B	C	D	SUITABLE DIA	PACKAGE
FBF-01	9.9	2.9	7.3	12.3	φ1.5X3	2000
FBF-3A	9.9	3.75	7.3	12.3	φ2.0X3	
FBF-4C	11.9	3.75	9.3	14.3	φ2.0X4	

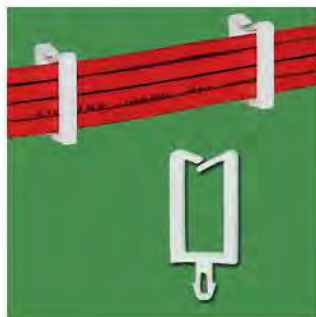
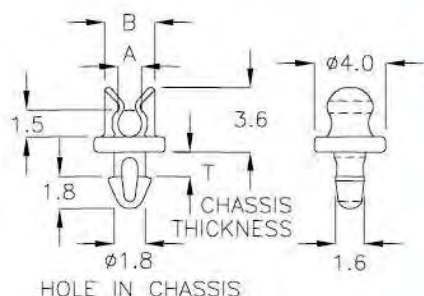


隔離束線座 WIRE SADDLE

6-49-1

- MATERIAL: NYLON 66(UL)
- FLAME CLASS: 94V-2
- COLOR: NATURAL

PART NO	A	B	T CHASSIS THICKNESS	PACKAGE
CSF-1MK	1.3	2.8	1.2	2000
CSF-1KC	1.3	2.8	1.6	

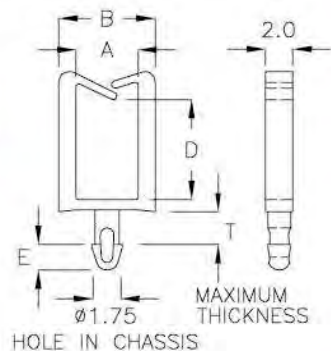


隔離束線座 WIRE SADDLE

6-49-2

- MATERIAL: NYLON 66(UL)
- FLAME CLASS: 94V-2
- COLOR: NATURAL

PART NO	A	B	D	E	T MAXIMUM THICKNESS	PACKAGE
CHT-4GF	4.3	6.7	8.5	1.75	2.2	2000

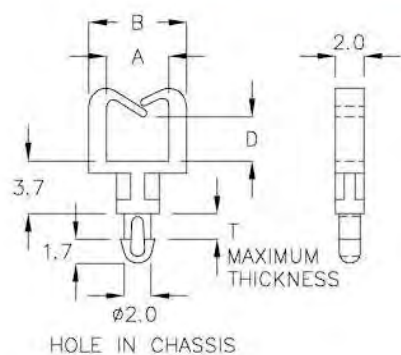


隔離束線座 WIRE SADDLE

6-49-3

- MATERIAL: NYLON 66(UL)
- FLAME CLASS: 94V-2
- COLOR: NATURAL

PART NO	A	B	D	T MAXIMUM THICKNESS	PACKAGE
CMC-3A	4.4	6.9	3.0	1.6	2000

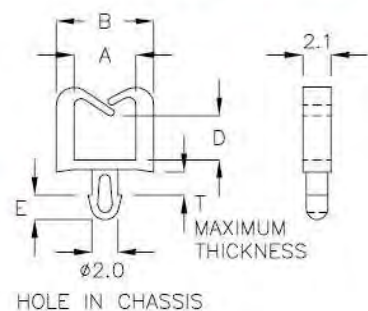


隔離束線座 WIRE SADDLE

6-49-4

- MATERIAL: NYLON 66(UL)
- FLAME CLASS: 94V-2
- COLOR: NATURAL

PART NO	A	B	D	E	T MAXIMUM THICKNESS	PACKAGE
CH-1MR	3.4	5.8	3.0	1.8	1.2	2000
CH-01K	3.4	5.8	3.3	1.9	1.6	
CH-01F	4.3	6.9	3.1	1.9	1.6	
CH-02F	4.4	6.9	3.1	1.9	2.5	
CH-5TA	4.4	6.9	5.1	1.8	2.5	
CH-01H	5.2	7.8	5.8	1.9	1.6	

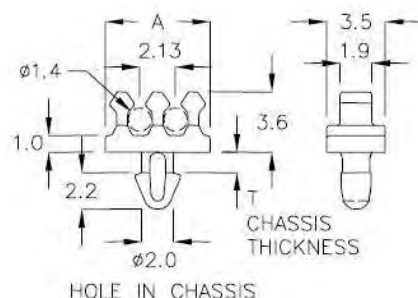




電線固定座 WIRE MOUNT

- MATERIAL: NYLON 66(UL)
- FLAME CLASS: 94V-2
- COLOR: NATURAL

PART NO	A	T CHASSIS THICKNESS	PACKAGE
CMRW-6K	6.3	1.0	2000



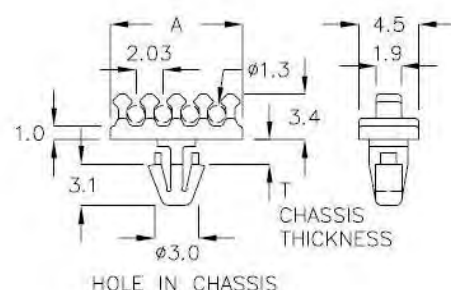
6-50-1



電線固定座 WIRE MOUNT

- MATERIAL: NYLON 66(UL)
- FLAME CLASS: 94V-2
- COLOR: NATURAL

PART NO	A	T CHASSIS THICKNESS	PACKAGE
CMRT-10A	10.0	1.6	1000



6-50-2

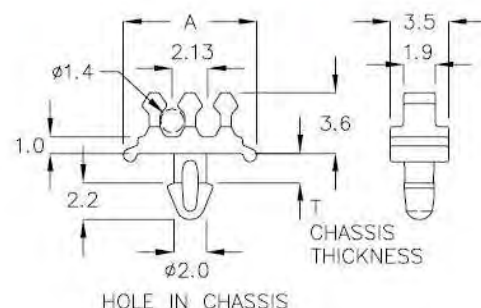


電線固定座 WIRE MOUNT

- MATERIAL: NYLON 66(UL)
- FLAME CLASS: 94V-0
- COLOR: NATURAL

NEW

PART NO	A	T CHASSIS THICKNESS	PACKAGE
★ CMRZ-6A	8.0	1.5~1.6	2000



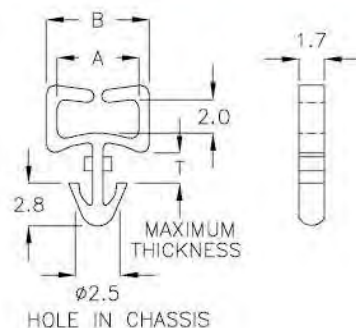
6-50-3



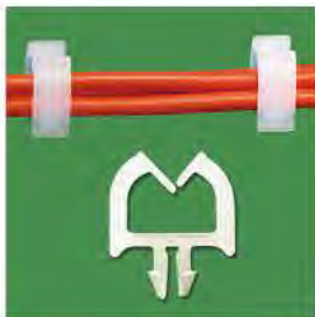
隔離束線座 WIRE SADDLE

- MATERIAL: NYLON 66(UL)
- FLAME CLASS: 94V-2
- COLOR: NATURAL

PART NO	A	B	T MAXIMUM THICKNESS	PACKAGE
CJA-1A	5.4	6.8	2.0	2000



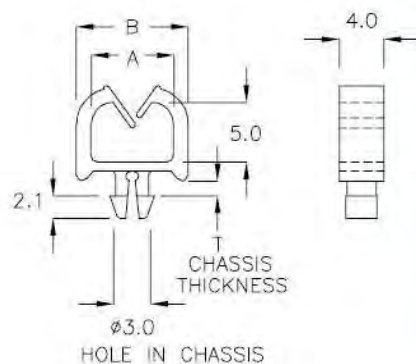
6-50-4



隔離束線座 WIRE SADDLE

6-51-1

- MATERIAL: NYLON 66(UL)
- FLAME CLASS: 94V-2
- COLOR: NATURAL



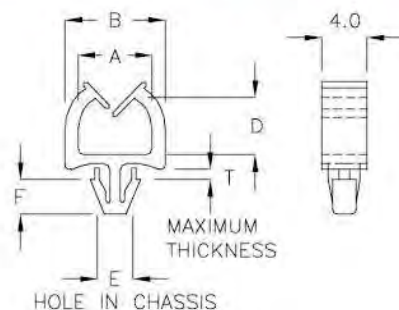
PART NO	A	B	T CHASSIS THICKNESS	PACKAGE
CH-01S	7.4	10.0	1.2~1.6	2000



隔離束線座 WIRE SADDLE

6-51-2

- MATERIAL: NYLON 66(UL)
- FLAME CLASS: 94V-2
- COLOR: NATURAL



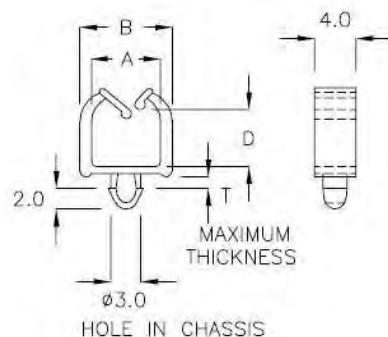
PART NO	A	B	D	E HOLE IN CHASSIS	F	UL	T MAXIMUM THICKNESS	PACKAGE
CH-1HK	8.2	10.6	6.9	$\phi 3.0$	3.0		1.6	2000
CH-01B	8.2	10.6	6.9		3.1		1.6	
CH-1BK	8.3	10.7	6.9		2.1		1.6	
CH-01C	7.4	10.0	5.0		2.2		1.6	
CH-1FW	6.8	9.3	5.0		2.8		1.6	
CH-01M	6.5	9.0	5.0		3.1	UL	0.8	
CH-01P	7.4	10.0	5.3		2.2		2.0	
CH-1PD	10.6	13.0	6.0		2.5		1.6	
CH-01U	8.3	10.7	7.0	2.5		1.6		
CH-01Q	6.6	9.0	4.9	$\phi 3.5$	3.0		1.0	
CH-01W	6.6	9.0	4.5		3.2		1.8	
CH-01N	9.0	11.6	5.3		2.7		1.2	



隔離束線座 WIRE SADDLE

6-51-3

- MATERIAL: NYLON 66(UL)
- FLAME CLASS: 94V-2
- COLOR: NATURAL



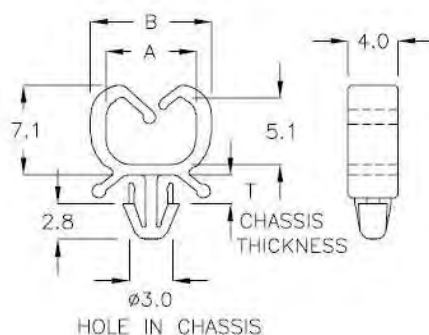
PART NO	A	B	D	T MAXIMUM THICKNESS	PACKAGE
CH-01A	6.7	9.0	5.5	1.2	2000
CH-01J	6.7	9.0	5.0	1.6	
CH-1AM	6.7	9.2	5.45	0.8	



電線固定座 WIRE MOUNT

6-52-1

- MATERIAL: NYLON 66(UL)
- FLAME CLASS: 94V-2
- COLOR: NATURAL



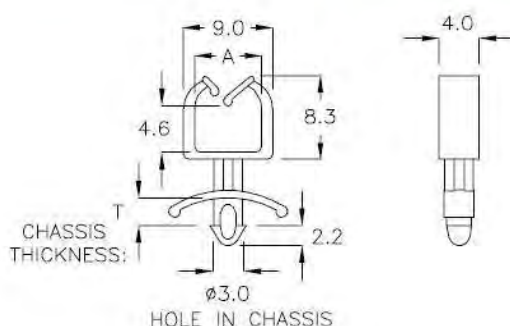
PART NO	A	B	T CHASSIS THICKNESS	PACKAGE
CZC-7D	7.2	9.7	0.6~1.6	1000



隔離束線座 WIRE SADDLE

6-52-2

- MATERIAL: NYLON 66(UL)
- FLAME CLASS: 94V-2
- COLOR: NATURAL



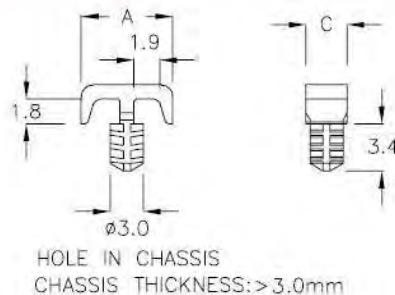
PART NO	A	T CHASSIS THICKNESS	PACKAGE
CMA-4A	6.7	1.0~2.0	1000



電線固定座 WIRE MOUNT

6-52-3

- MATERIAL: NYLON 66(UL)
- FLAME CLASS: 94V-2
- COLOR: NATURAL



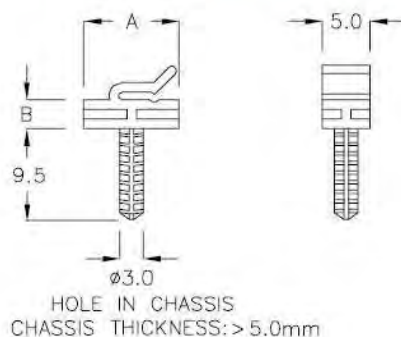
PART NO	A	C	PACKAGE
PCS-4A	6.6	5.0	2000
PCS-5A	6.6	3.0	



電線固定座 WIRE MOUNT

6-52-4

- MATERIAL: NYLON 66(UL)
- FLAME CLASS: 94V-2
- COLOR: NATURAL



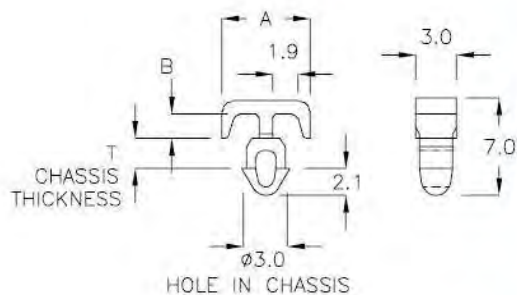
PART NO	A	B	PACKAGE
PCS-6A	10.0	3.0	2000



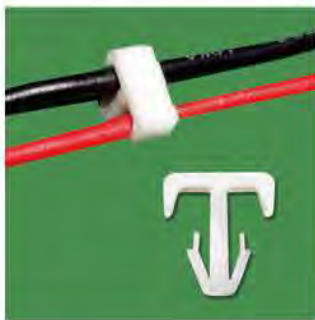
電線固定座 WIRE MOUNT

6-53-1

- MATERIAL: NYLON 66(UL)
- FLAME CLASS: 94V-2
- COLOR: NATURAL



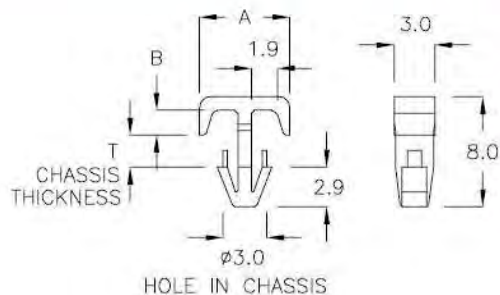
PART NO	A	B	T CHASSIS THICKNESS	PACKAGE
PCS-1A	6.6	1.8	2.0	2000



電線固定座 WIRE MOUNT

6-53-2

- MATERIAL: NYLON 66(UL)
- FLAME CLASS: 94V-2
- COLOR: NATURAL



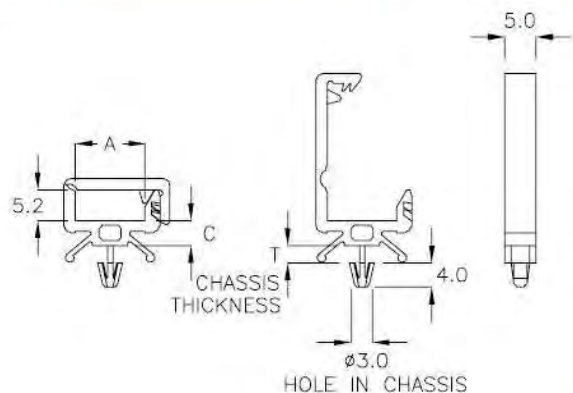
PART NO	A	B	T CHASSIS THICKNESS	PACKAGE
PCS-3A	6.6	1.8	2.0	2000



隔離束線座 WIRE SADDLE

6-53-3

- MATERIAL: NYLON 66(UL)
- FLAME CLASS: 94V-2
- COLOR: NATURAL



WITH LOCK FEATURE

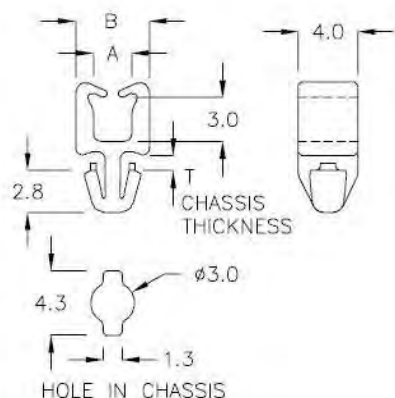
PART NO	A	C	T CHASSIS THICKNESS	PACKAGE
CHR-05	11.1	4.0	0.6~2.5	500



隔離束線座 WIRE SADDLE

6-53-4

- MATERIAL: NYLON 66(UL)
- FLAME CLASS: 94V-2
- COLOR: NATURAL



PART NO	A	B	T CHASSIS THICKNESS	PACKAGE
CZH-2H	2.6	5.0	0.8~1.0	2000



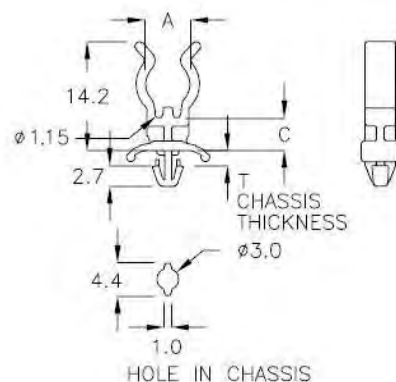
隔離束線座 WIRE SADDLE

6-54-1

- MATERIAL: NYLON 66(UL)
- FLAME CLASS: 94V-2
- COLOR: NATURAL

Built-In Anti-Spin Function

PART NO	A	C	T CHASSIS THICKNESS	PACKAGE
TDD-4PA	6.0	4.2	0.6~1.6	500



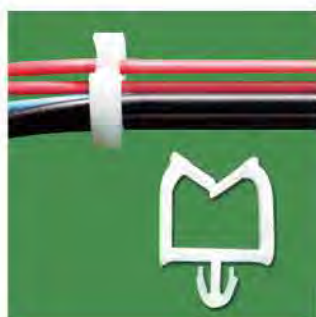
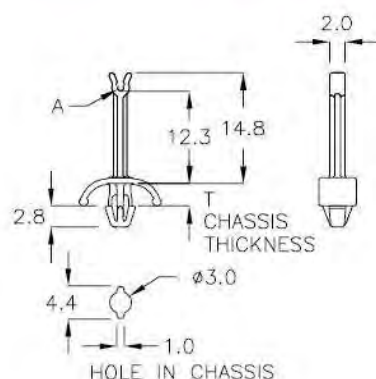
隔離束線座 WIRE SADDLE

6-54-2

- MATERIAL: NYLON 66(UL)
- FLAME CLASS: 94V-2
- COLOR: NATURAL

Built-In Anti-Spin Function

PART NO	A	T CHASSIS THICKNESS	PACKAGE
TDF-12CM	∅1.0	1.6~2.4	500

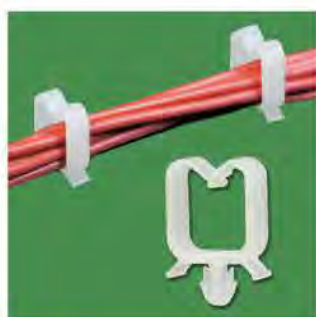
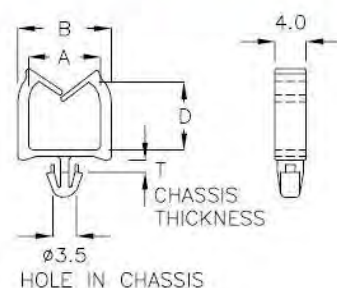


隔離束線座 WIRE SADDLE

6-54-3

- MATERIAL: NYLON 66(UL)
- FLAME CLASS: 94V-2
- COLOR: NATURAL

PART NO	A	B	D	T CHASSIS THICKNESS	PACKAGE
CH-01Y	8.8	12.0	8.5	1.0~1.6	2000

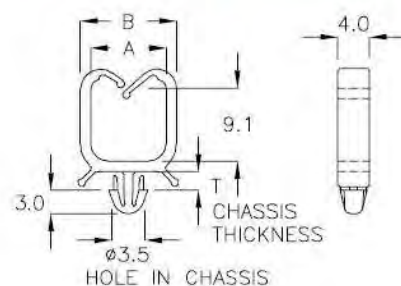


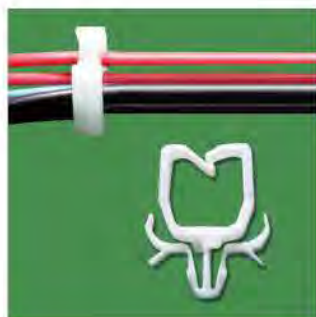
隔離束線座 WIRE SADDLE

6-54-4

- MATERIAL: NYLON 66(UL)
- FLAME CLASS: 94V-2
- COLOR: NATURAL

PART NO	A	B	T CHASSIS THICKNESS	PACKAGE
CZB-9C	9.5	12.1	0.6~1.6	500



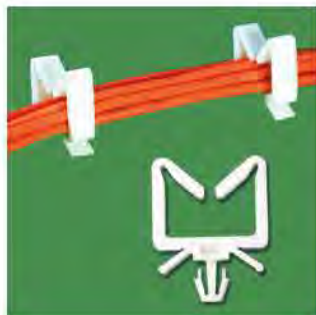
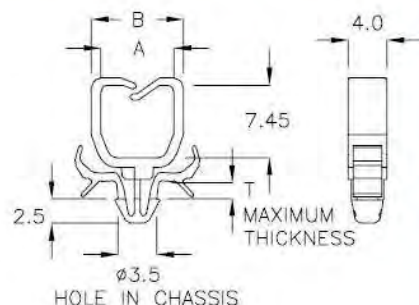


隔離束線座 WIRE SADDLE

6-55-1

- MATERIAL: NYLON 66(UL)
- FLAME CLASS: 94V-2
- COLOR: NATURAL

PART NO	A	B	T MAXIMUM THICKNESS	PACKAGE
CZA-7A	7.5	9.5	1.5	1000

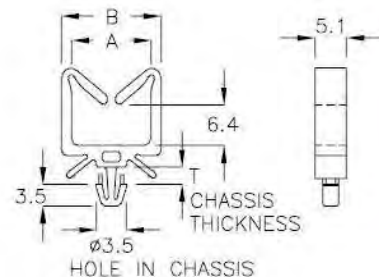


隔離束線座 WIRE SADDLE

6-55-2

- MATERIAL: NYLON 66(UL)
- FLAME CLASS: 94V-2
- COLOR: NATURAL

PART NO	A	B	T CHASSIS THICKNESS	PACKAGE
CZR-12A	12.8	16.0	1.2~2.0	500

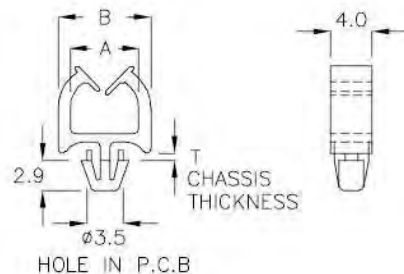


隔離束線座 WIRE SADDLE

6-55-3

- MATERIAL: NYLON 66(UL)
- FLAME CLASS: 94V-2
- COLOR: NATURAL

PART NO	A	B	T CHASSIS THICKNESS	PACKAGE
CH-1QF	6.6	9.0	0.8~1.0	2000



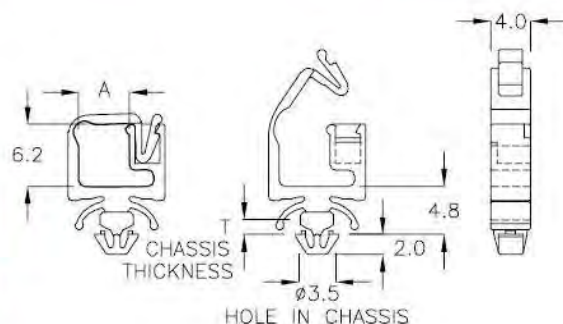
隔離束線座 WIRE SADDLE

6-55-4

- MATERIAL: NYLON 66(UL)
- FLAME CLASS: 94V-2
- COLOR: NATURAL

WITH LOCK FEATURE

PART NO	A	T CHASSIS THICKNESS	PACKAGE
CZF-6A	5.1	0.8~2.0	1000

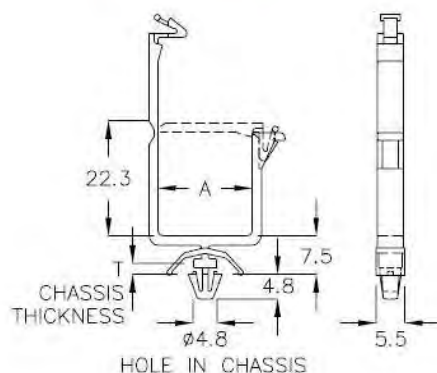




隔離束線座 WIRE SADDLE

6-56-1

- MATERIAL: NYLON 66(UL)
- FLAME CLASS: 94V-0
- COLOR: BLACK



WITH LOCK FEATURE

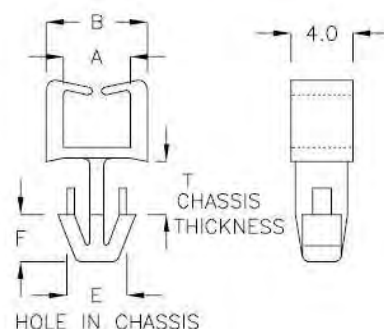
PART NO	A	T CHASSIS THICKNESS	PACKAGE
CZX-18K	18.5	2.0~3.0	500



隔離束線座 WIRE SADDLE

6-56-2

- MATERIAL: NYLON 66(UL)
- FLAME CLASS: 94V-2
- COLOR: NATURAL



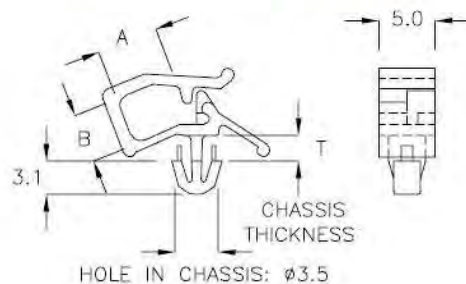
PART NO	A	B	T CHASSIS THICKNESS	E HOLE IN CHASSIS	F	PACKAGE
CH-01L	4.3	6.5	2.8~3.0	∅3.5	3.0	2000
CH-1LA	4.3	6.5	0.9~1.1	∅3.6	3.0	
CH-1LB	4.3	6.5	3.8~4.0	∅3.6	3.0	
CH-01D	4.5	6.5	4.0~4.4	∅3.5	3.1	
CH-1KP	4.3	6.5	0.9~1.1	∅3.6	3.0	



隔離束線座 WIRE SADDLE

6-56-3

- MATERIAL: NYLON 66(UL)
- FLAME CLASS: 94V-2
- COLOR: NATURAL



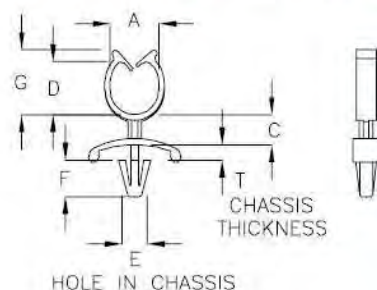
PART NO	A	B	T CHASSIS THICKNESS	PACKAGE
CH-03	5.5	4.3	1.2~2.0	1000
CH-03F	4.2	2.6	1.6~2.4	
CH-03S	4.2	2.8	1.2~2.0	



隔離束線座 WIRE SADDLE

6-57-1

- MATERIAL: NYLON 66(UL)
- FLAME CLASS: 94V-2
- COLOR: NATURAL



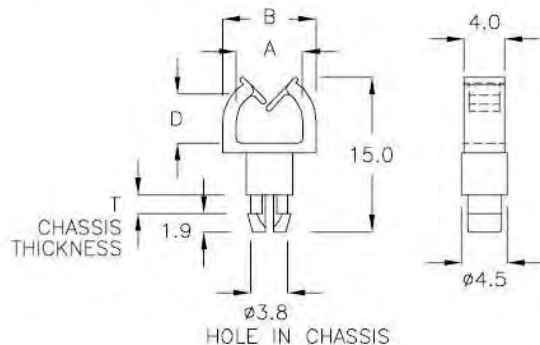
PART NO	A	C	D	E HOLE IN CHASSIS	F	G	T CHASSIS THICKNESS	PACKAGE
TDA-4A	7.4	4.5	8.0	∅3.3	5.5	9.7	0.8~1.8	500
TDA-10	5.6	10.0	5.2	∅3.5	4.0	7.0	0.8~1.6	
TDA-10F	5.6	10.0	5.2	∅3.5	4.0	7.0	1.4~2.2	
TDA-13	7.4	13.0	8.0	∅3.5	4.2	9.7	0.6~1.6	
TDA-13C	7.4	13.0	8.0	∅3.5	3.1	9.7	0.6~1.6	



隔離束線座 WIRE SADDLE

6-57-2

- MATERIAL: NYLON 66(UL)
- FLAME CLASS: 94V-2
- COLOR: NATURAL



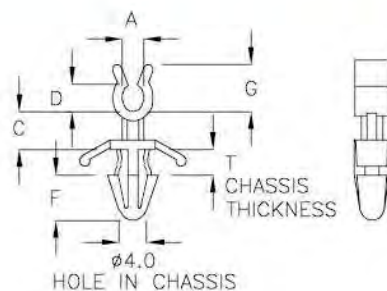
PART NO	A	B	T CHASSIS THICKNESS	D	PACKAGE
CH-04A	6.5	9.1	1.4~1.6	4.8	1000



隔離束線座 WIRE SADDLE

6-57-3

- MATERIAL: NYLON 66(UL)
- FLAME CLASS: 94V-2
- COLOR: NATURAL



PART NO	A	C	D	F	G	T CHASSIS THICKNESS	PACKAGE
CS-04A	2.3	4.0	2.9	4.9	5.0	1.6~2.4	1000
CS-04C	2.0	4.5	2.0	4.8	5.0	1.6~2.4	
CS-10D	3.6	8.0	4.1	5.0	6.0	0.8~1.0	500



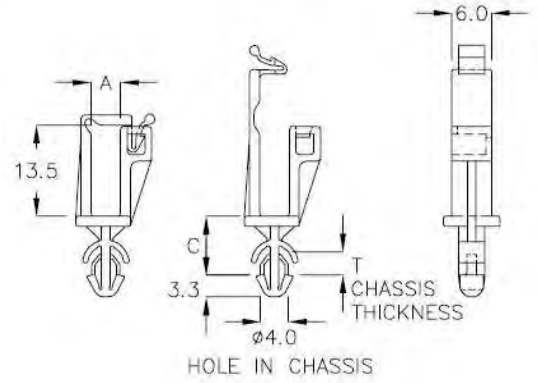
隔離束線座 WIRE SADDLE

6-58-1

- MATERIAL: NYLON 66(UL)
- FLAME CLASS: 94V-2
- COLOR: NATURAL

WITH LOCK FEATURE

PART NO	A	C	T CHASSIS THICKNESS	PACKAGE
CZS-4FG	4.5	8.2	2.0~2.7	500
CZS-4RK	4.5	8.8	2.7~3.6	



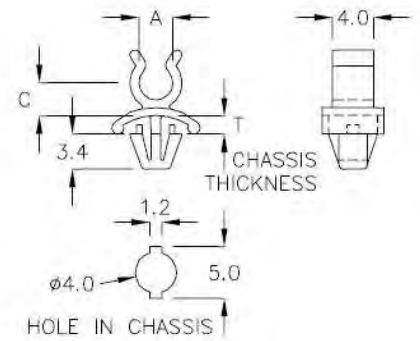
隔離束線座 WIRE SADDLE

6-58-2

- MATERIAL: NYLON 66(UL)
- FLAME CLASS: 94V-2
- COLOR: NATURAL

Built-In Anti-Spin Function

PART NO	A	C	T CHASSIS THICKNESS	PACKAGE
CS-01C	ø3.3	3.2	0.8~1.2	2000
CS-1DK	ø4.2	3.4	0.8~1.2	

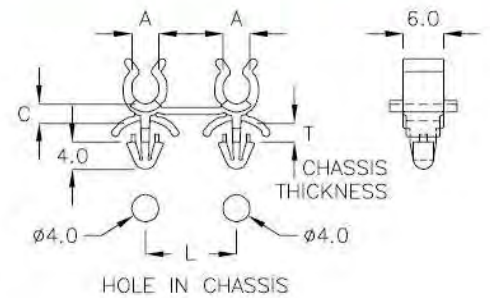


隔離束線座 WIRE SADDLE

6-58-3

- MATERIAL: NYLON 66(UL)
- FLAME CLASS: 94V-2
- COLOR: NATURAL

PART NO	A	C	L	T CHASSIS THICKNESS	PACKAGE
2CS-2WQ	3.95	2.85	12.0	1.0~1.5	500
2CS-2YR	3.95	2.85	13.5	1.0~2.0	

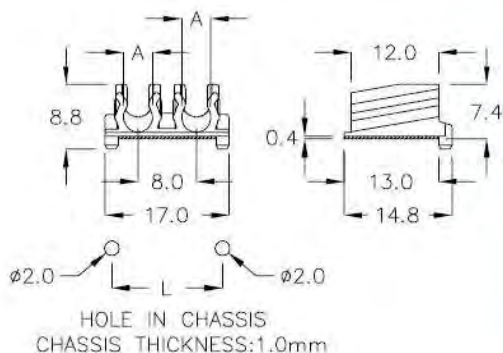




電線固定座 WIRE MOUNT

6-59-1

- MATERIAL: NYLON 66(UL)
- FLAME CLASS: 94V-2
- COLOR: NATURAL
- ADHESIVE TAPE: 3M



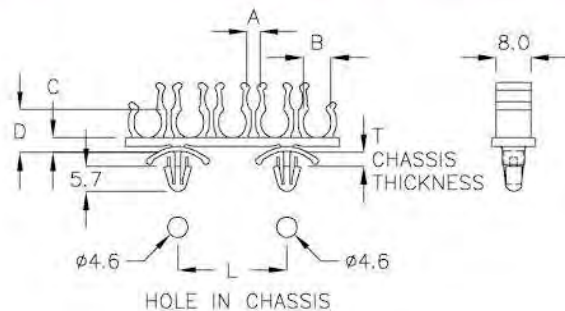
PART NO	A	L	PACKAGE
CMZ-17K	4.0	15.2	500



隔離束線座 WIRE SADDLE

6-59-2

- MATERIAL: NYLON 66(UL)
- FLAME CLASS: 94V-2
- COLOR: NATURAL



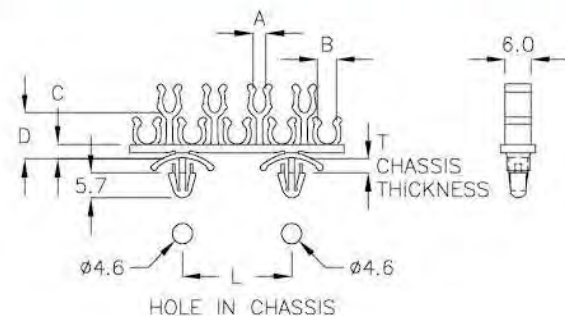
PART NO	A	B	C	D	L	T CHASSIS THICKNESS	PACKAGE
CTX-49DW	3.0	6.3	3.3	9.75	25.0	0.8~2.0	200



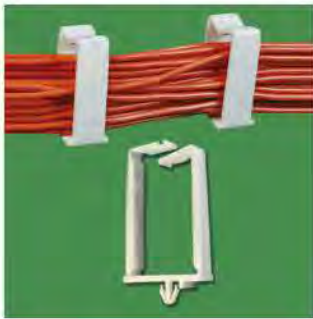
隔離束線座 WIRE SADDLE

6-59-3

- MATERIAL: NYLON 66(UL)
- FLAME CLASS: 94V-2
- COLOR: NATURAL



PART NO	A	B	C	D	L	T CHASSIS THICKNESS	PACKAGE
CTX-49RC	3.0	4.4	3.3	10.5	25.0	0.8~2.0	200



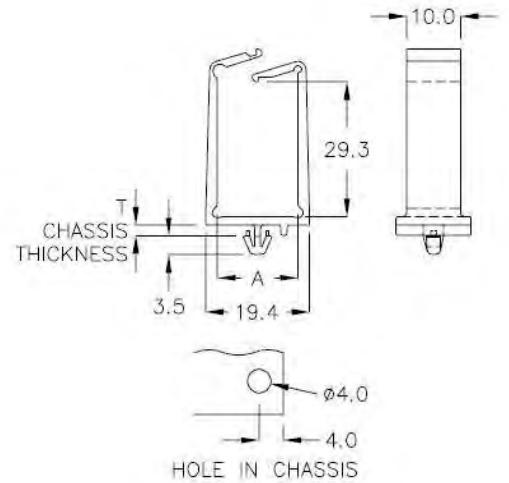
隔離束線座 WIRE SADDLE

6-60-1

- MATERIAL: NYLON 66(UL)
- FLAME CLASS: 94V-2
- COLOR: NATURAL

Built-In Anti-Spin Function

PART NO	A	T CHASSIS THICKNESS	PACKAGE
CMK-15Q	15.0	1.4~1.7	100



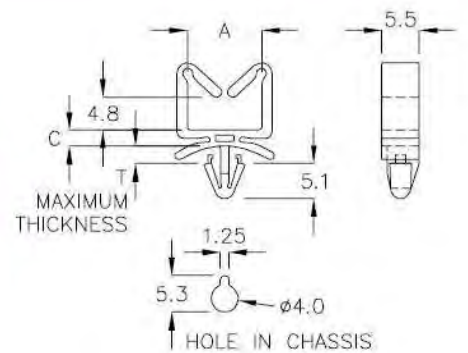
隔離束線座 WIRE SADDLE

6-60-2

- MATERIAL: NYLON 66(UL)
- FLAME CLASS: 94V-2
- COLOR: NATURAL

Built-In Anti-Spin Function

PART NO	A	C	T MAXIMUM THICKNESS	PACKAGE
CZL-10JY	10.9	2.35	1.6	500

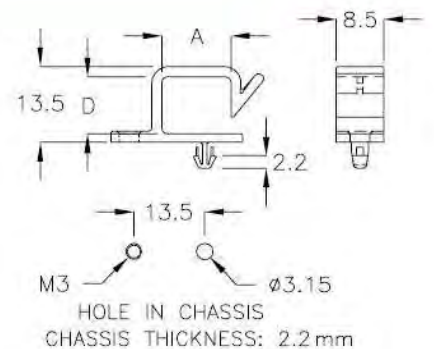


隔離束線座 WIRE SADDLE

6-60-3

- MATERIAL: NYLON 66(UL)
- FLAME CLASS: 94V-2
- COLOR: BLACK

PART NO	A	D	PACKAGE
CUK-12ST	12.4	10.2	500

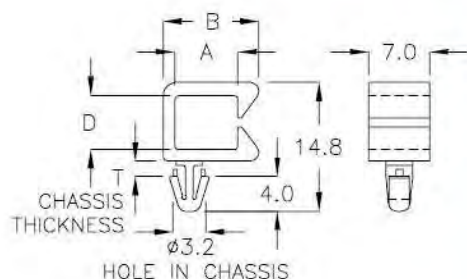




隔離束線座 WIRE SADDLE

6-61-1

- MATERIAL: NYLON 66(UL)
- FLAME CLASS: 94V-2
- COLOR: NATURAL



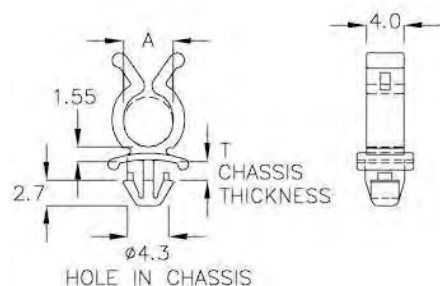
PART NO	A	B	D	T CHASSIS THICKNESS	PACKAGE
CBG-6PK	7.3	11.0	6.2	1.6	1000



隔離束線座 WIRE SADDLE

6-61-2

- MATERIAL: NYLON 66(UL)
- FLAME CLASS: 94V-2
- COLOR: BLACK



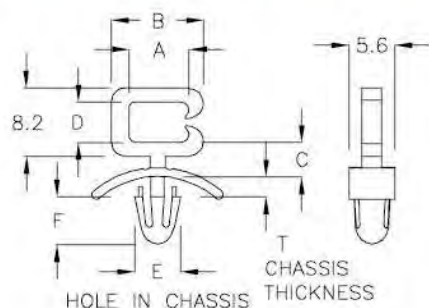
PART NO	A	T CHASSIS THICKNESS	PACKAGE
CSA-5K	5.3	1.6	1000



隔離束線座 WIRE SADDLE

6-61-3

- MATERIAL: NYLON 66(UL)
- FLAME CLASS: 94V-2
- COLOR: NATURAL



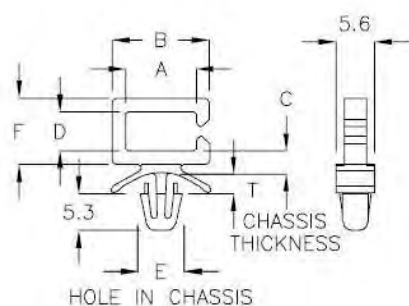
PART NO	A	B	C	D	E	F	T CHASSIS THICKNESS	PACKAGE
CHM-01	7.3	11.3	4.4	4.8	$\phi 4.5$	6.0	0.8~1.8	500



隔離束線座 WIRE SADDLE

6-61-4

- MATERIAL: NYLON 66(UL)
- FLAME CLASS: 94V-2
- COLOR: NATURAL



PART NO	A	B	C	D	E	F	T CHASSIS THICKNESS	PACKAGE
CUH-10A	10.2	14.0	3.35	5.6	$\phi 4.75$	9.5	0.8~1.6	500

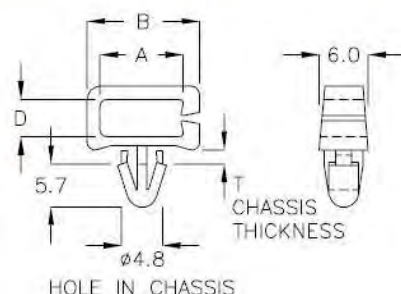


隔離束線座 WIRE SADDLE

6-62-1

- MATERIAL: NYLON 66(UL)
- FLAME CLASS: 94V-2
- COLOR: NATURAL

PART NO	A	B	D	T CHASSIS THICKNESS	PACKAGE
CH-02	10.4	14.3	4.6	0.8~1.2	1000

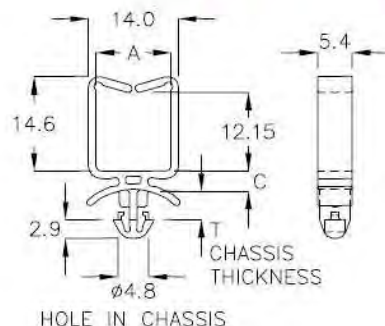


隔離束線座 WIRE SADDLE

6-62-2

- MATERIAL: NYLON 66(UL)
- FLAME CLASS: 94V-2
- COLOR: NATURAL

PART NO	A	C	T CHASSIS THICKNESS	PACKAGE
CZM-11F	11.6	3.17	3.5	500



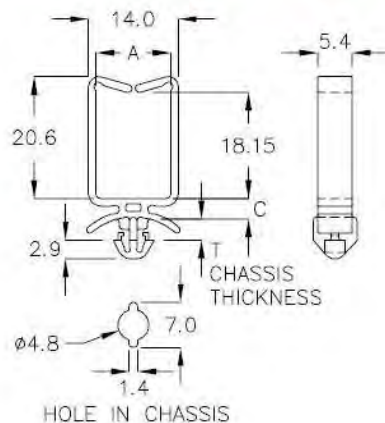
隔離束線座 WIRE SADDLE

6-62-3

- MATERIAL: NYLON 66(UL)
- FLAME CLASS: 94V-2
- COLOR: BLACK

Built-In Anti-Spin Function

PART NO	A	C	T CHASSIS THICKNESS	PACKAGE
CZY-11BH	11.6	3.17	2.4	500



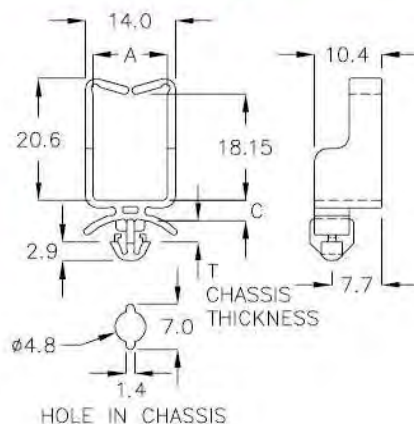
隔離束線座 WIRE SADDLE

6-62-4

- MATERIAL: NYLON 66(UL)
- FLAME CLASS: 94V-2
- COLOR: BLACK

Built-In Anti-Spin Function

PART NO	A	C	T CHASSIS THICKNESS	PACKAGE
CZP-11JK	11.6	3.15	1.6~2.4	500

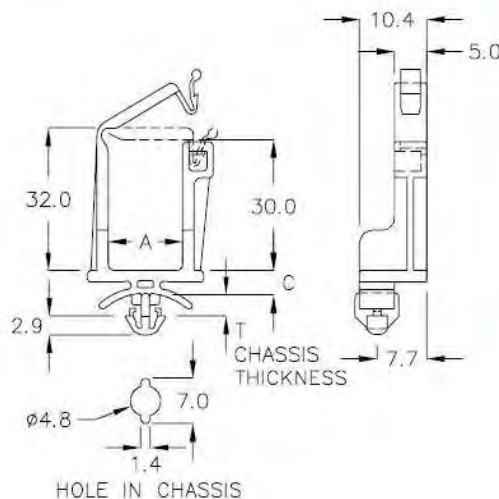




隔離束線座 WIRE SADDLE

6-63-1

- MATERIAL: NYLON 66(UL)
- FLAME CLASS: 94V-0
- COLOR: BLACK



Built-In Anti-Spin Function

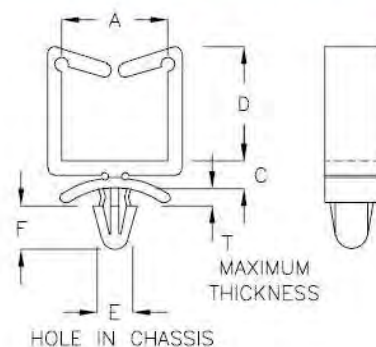
PART NO	A	C	T CHASSIS THICKNESS	PACKAGE
★ CZPA-11A	11.6	3.8	1.6~2.4	500



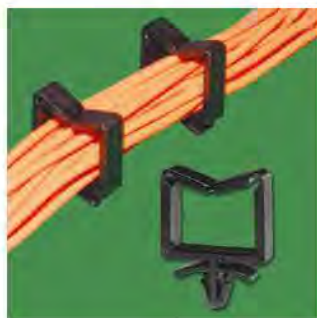
隔離束線座 WIRE SADDLE

6-63-2

- MATERIAL: NYLON 66(UL)
- FLAME CLASS: 94V-2
- COLOR: NATURAL



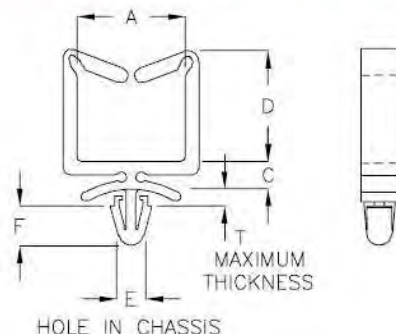
PART NO	A	C	D	E	F	T MAXIMUM THICKNESS	PACKAGE
CH-05	10.9	4.1	9.7	∅4.8	5.9	1.9	500
CH-10	11.0	3.9	15.0	∅4.8	5.8	1.9	
CH-10A	10.9	4.1	11.2	∅4.8	2.8	2.0	
CH-10L	11.0	3.7	23.7	∅4.8	5.6	2.1	
CH-14	14.6	4.1	15.1	∅5.0	6.2	2.1	
CH-14A	14.6	4.0	15.5	∅5.0	4.2	3.0	
CH-16	15.9	4.1	16.4	∅5.0	5.9	2.1	
CH-29	23.0	4.8	15.9	∅5.0	6.2	1.8	



隔離束線座 WIRE SADDLE

6-63-3

- MATERIAL: NYLON 66(UL)
- FLAME CLASS: 94V-2
- COLOR: NATURAL, BLACK



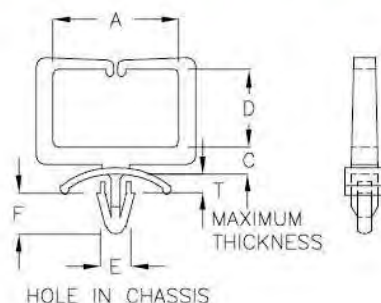
PART NO	A	C	D	E	F	T MAXIMUM THICKNESS	PACKAGE
CH-16A	15.7	4.0	15.9	∅4.8	5.7	2.1	500



隔離束線座 WIRE SADDLE

6-64-1

- MATERIAL: NYLON 66(UL)
- FLAME CLASS: 94V-2
- COLOR: NATURAL



E154548(S)
CH-30(N66 94V-0) UL:E154548(S)

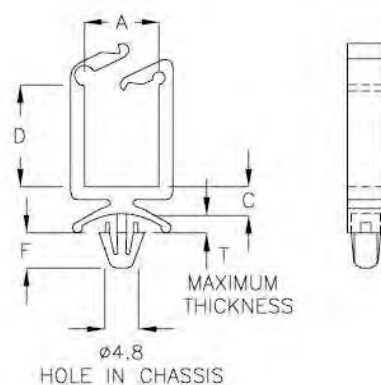
PART NO	A	C	D	E	F	T MAXIMUM THICKNESS	PACKAGE
CH-30	22.7	4.8	13.9	∅5.0	7.1	3.2	200



隔離束線座 WIRE SADDLE

6-64-2

- MATERIAL: NYLON 66(UL)
- FLAME CLASS: 94V-2
- COLOR: NATURAL



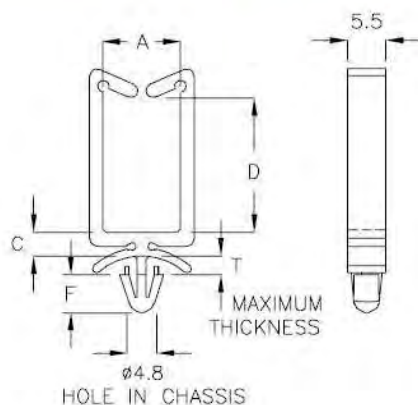
PART NO	A	C	D	F	T MAXIMUM THICKNESS	PACKAGE
CM-10	10.8	4.1	19.4	5.0	2.0	500
CM-10L	23.7	4.7	32.2	5.0	2.0	
CM-10M	10.8	4.1	10.3	5.0	2.0	
CM-10Q	10.8	4.1	10.3	2.4	2.0	
CM-10S	10.8	4.1	7.3	5.0	2.0	



隔離束線座 WIRE SADDLE

6-64-3

- MATERIAL: NYLON 66(UL)
- FLAME CLASS: 94V-2
- COLOR: NATURAL, BLACK



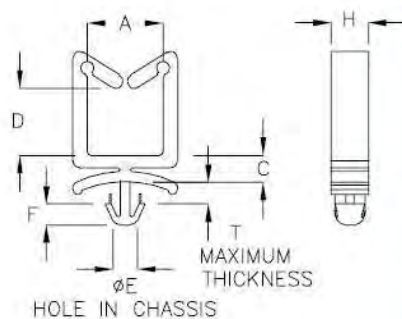
PART NO	A	C	D	F	T MAXIMUM THICKNESS	PACKAGE
CH-10C	11.1	3.6	19.5	5.5	1.6	500



隔離束線座 WIRE SADDLE

6-65-1

- MATERIAL: NYLON 66(UL)
- FLAME CLASS: 94V-2
- COLOR: NATURAL



PART NO	A	C	D	E HOLE IN CHASSIS	F	H	T MAXIMUM THICKNESS	PACKAGE
CH-10F	10.9	3.75	7.8	$\phi 4.8$	2.7	5.4	2.4	1000
CH-11	11.0	3.9	9.4	$\phi 4.8$	3.0	5.4	2.4	
CH-16DK	16.0	3.6	6.7	$\phi 4.5$	3.8	5.0	1.0	500

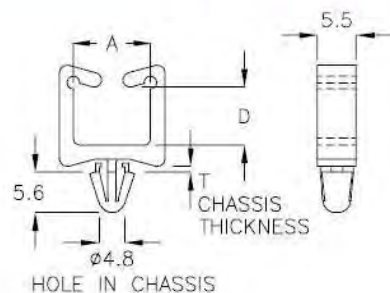


隔離束線座 WIRE SADDLE

6-65-2

- MATERIAL: NYLON 66(UL)
- FLAME CLASS: 94V-2
- COLOR: NATURAL, BLACK

PART NO	A	D	T CHASSIS THICKNESS	PACKAGE
CAC-10A	10.6	8.1	1.0	500



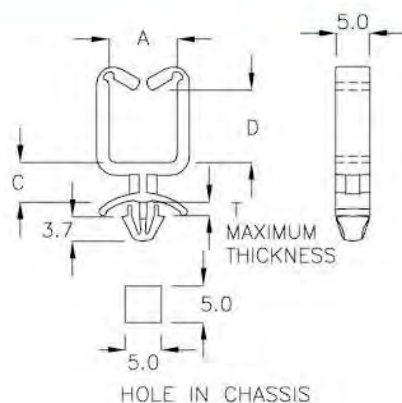
隔離束線座 WIRE SADDLE

6-65-3

- MATERIAL: NYLON 66(UL)
- FLAME CLASS: 94V-2
- COLOR: NATURAL, BLACK

Built-In Anti-Spin Function

PART NO	A	C	D	T MAXIMUM THICKNESS	PACKAGE
CHL-02	10.0	5.7	10.0	1.6	500



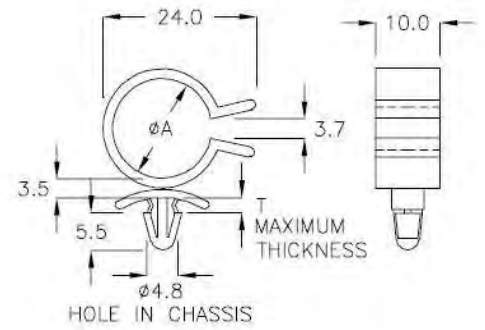


隔離束線座 WIRE SADDLE

6-66-1

- MATERIAL: NYLON 66(UL)
- FLAME CLASS: 94V-2
- COLOR: NATURAL

PART NO	A	T MAXIMUM THICKNESS	PACKAGE
CH-20	ø15.5	1.6	500

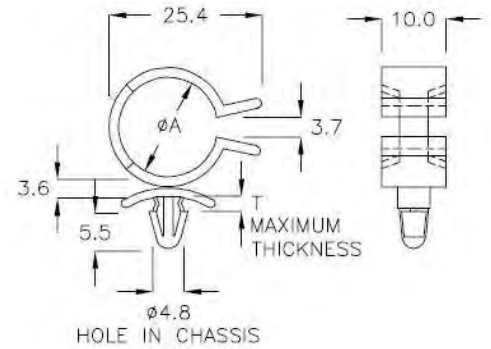


隔離束線座 WIRE SADDLE

6-66-2

- MATERIAL: NYLON 66(UL)
- FLAME CLASS: 94V-2
- COLOR: NATURAL

PART NO	A	T MAXIMUM THICKNESS	PACKAGE
CH-20C	ø15.0	1.6	500



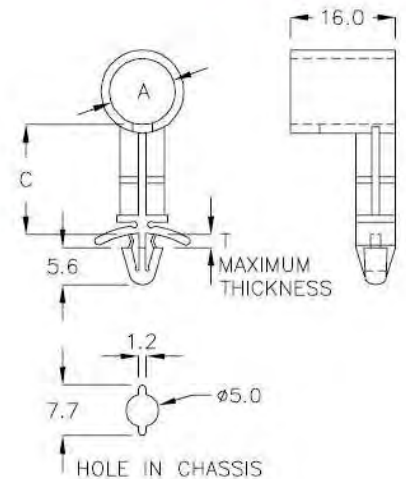
隔離束線座 WIRE SADDLE

6-66-3

- MATERIAL: NYLON 66(UL)
- FLAME CLASS: 94V-2
- COLOR: NATURAL

Built-In Anti-Spin Function

PART NO	A	C	T MAXIMUM THICKNESS	PACKAGE
CSK-6A	ø10.0	6.4	1.6	500
CSK-26A	ø10.0	27.0	1.6	





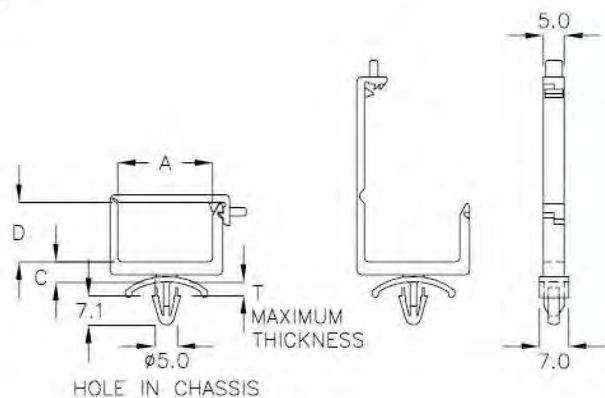
隔離束線座 WIRE SADDLE

6-67-1

- MATERIAL: NYLON 66(UL)
- FLAME CLASS: 94V-2
- COLOR: NATURAL

Built-In Anti-Spin Function
WITH LOCK FEATURE

PART NO	A	C	D	T MAXIMUM THICKNESS	PACKAGE
CH-20A	22.9	5.3	14.2	3.2	500



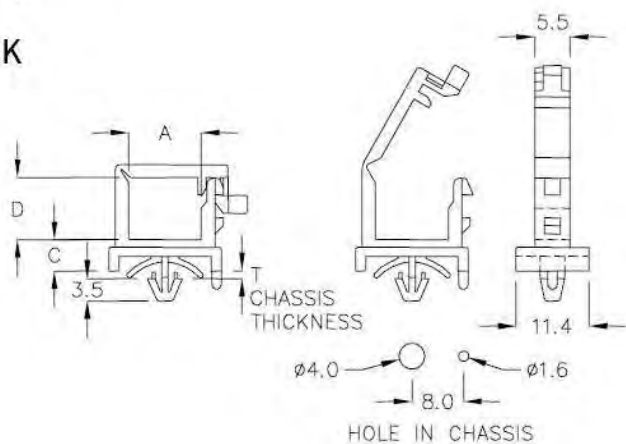
隔離束線座 WIRE SADDLE

6-67-2

- MATERIAL: NYLON 66(UL)
- FLAME CLASS: 94V-2
- COLOR: NATURAL, BLACK

Built-In Anti-Spin Function
WITH LOCK FEATURE

PART NO	A	C	D	T CHASSIS THICKNESS	PACKAGE
CKS-10A	11.0	4.8	9.5	0.8~1.0	500



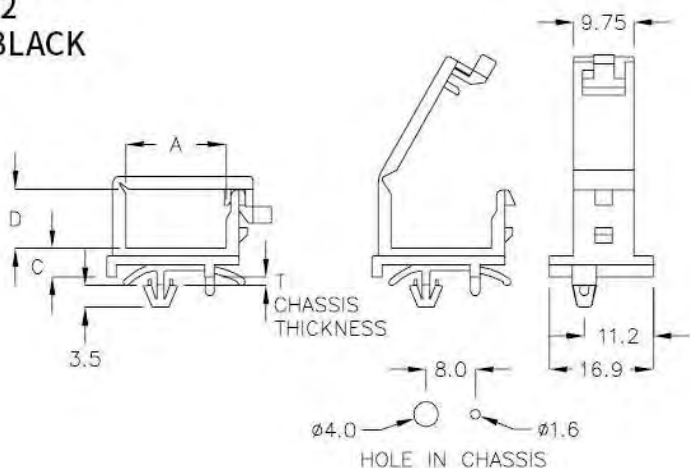
隔離束線座 WIRE SADDLE

6-67-3

- MATERIAL: NYLON 66(UL)
- FLAME CLASS: 94V-2
- COLOR: NATURAL, BLACK

Built-In Anti-Spin Function
WITH LOCK FEATURE

PART NO	A	C	D	T CHASSIS THICKNESS	PACKAGE
CKS-16C	16.0	4.6	9.5	0.8~1.2	500





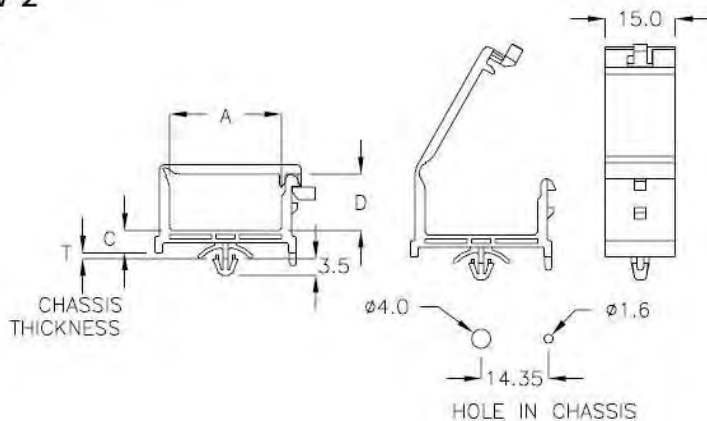
隔離束線座 WIRE SADDLE

6-68-1

- MATERIAL: NYLON 66(UL)
- FLAME CLASS: 94V-2
- COLOR: NATURAL

Built-In Anti-Spin Function
WITH LOCK FEATURE

PART NO	A	C	D	T CHASSIS THICKNESS	PACKAGE
CKS-24	24.0	4.7	12.0	0.8~1.0	200



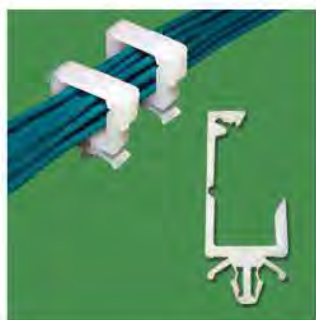
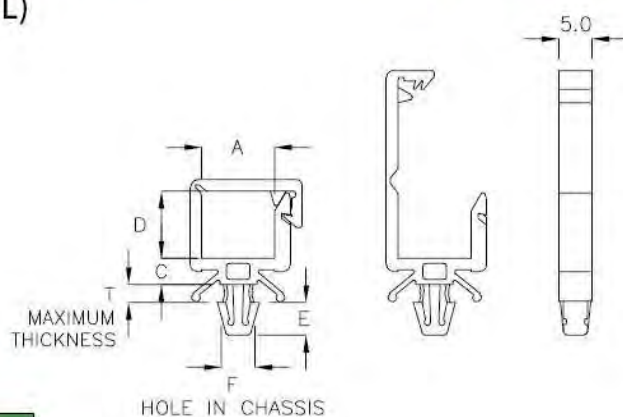
隔離束線座 WIRE SADDLE

6-68-2

- MATERIAL: NYLON 66(UL)
- FLAME CLASS: 94V-2
- COLOR: NATURAL

WITH LOCK FEATURE

PART NO	A	C	D	E	F	T MAXIMUM THICKNESS	PACKAGE
CK-5	11.0	4.0	5.2	5.1	∅4.8~∅5.0	2.4	500
CK-10	11.0	4.0	10.2	5.1	∅4.8~∅5.0	2.4	
CK-13HJ	22.8	4.0	13.6	4.9	∅4.8	0.5~1.0	
CK-014	16.0	4.0	14.2	5.1	∅4.8~∅5.0	2.4	



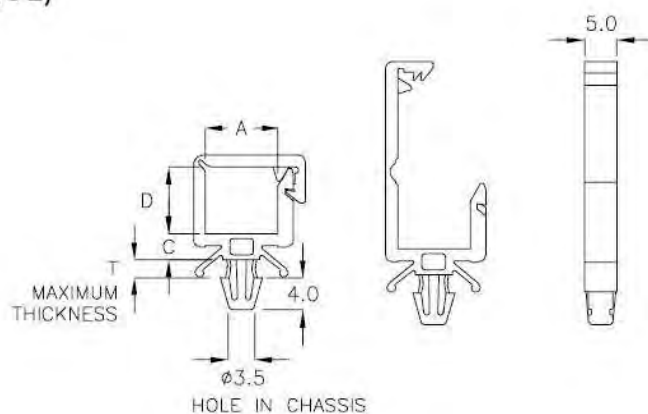
隔離束線座 WIRE SADDLE

6-68-3

- MATERIAL: NYLON 66(UL)
- FLAME CLASS: 94V-2
- COLOR: NATURAL

WITH LOCK FEATURE

PART NO	A	C	D	T MAXIMUM THICKNESS	PACKAGE
CHJ-05	11.0	4.0	5.2	2.4	500
CHJ-10	11.0	4.0	10.2	2.4	



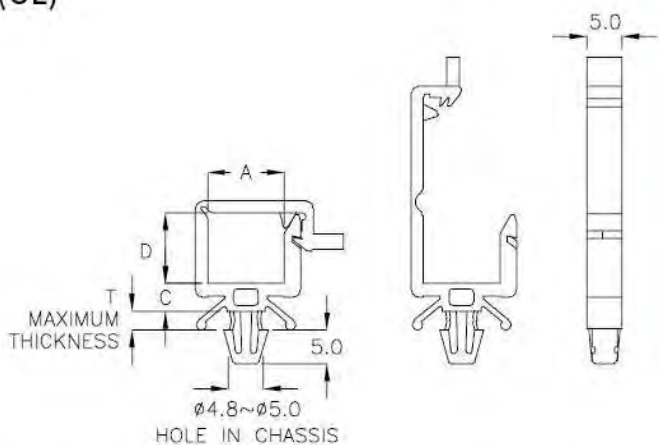


隔離束線座 WIRE SADDLE 6-69-1

- MATERIAL: NYLON 66(UL)
- FLAME CLASS: 94V-2
- COLOR: NATURAL

WITH LOCK FEATURE

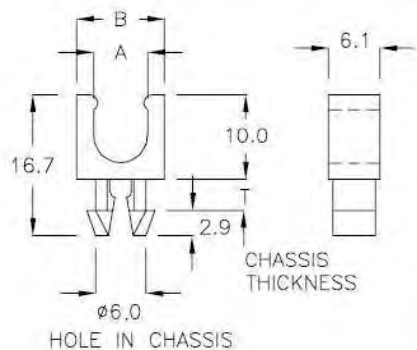
PART NO	A	C	D	T MAXIMUM THICKNESS	PACKAGE
CK-10A	11.0	4.0	10.4	2.4	500
CK-14A	16.0	4.0	14.0	2.4	



隔離束線座 WIRE SADDLE 6-69-2

- MATERIAL: NYLON 66(UL)
- FLAME CLASS: 94V-2
- COLOR: BLACK

PART NO	A	B	T CHASSIS THICKNESS	PACKAGE
CH-01	7.5	10.5	3.5	1000

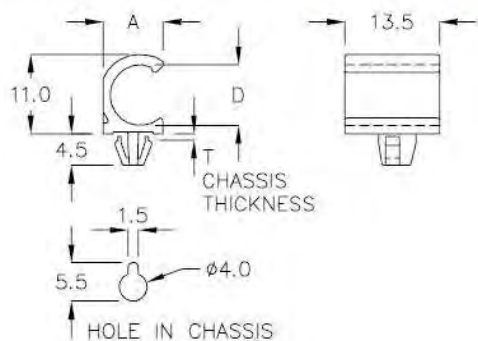


隔離束線座 WIRE SADDLE 6-69-3

- MATERIAL: NYLON 66(UL)
- FLAME CLASS: 94V-2
- COLOR: NATURAL

Built-In Anti-Spin Function

PART NO	A	D	T CHASSIS THICKNESS	PACKAGE
CHK-01	8.6	∅8.4	0.8	500

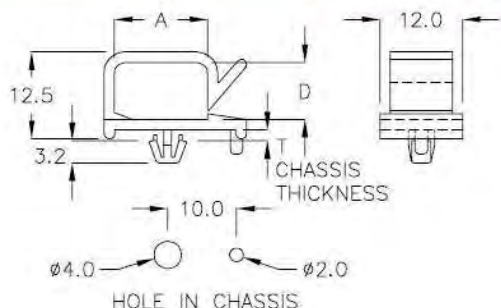


電線固定座 TIE MOUNT 6-69-4

- MATERIAL: NYLON 66(UL)
- FLAME CLASS: 94V-2
- COLOR: NATURAL

Built-In Anti-Spin Function

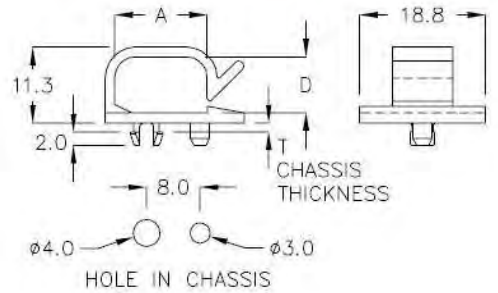
PART NO	A	D	T CHASSIS THICKNESS	PACKAGE
FWS-01	13.6	8.2	0.8~1.2	500





電線固定座 TIE MOUNT

- MATERIAL: NYLON 66(UL)
- FLAME CLASS: 94V-2
- COLOR: NATURAL



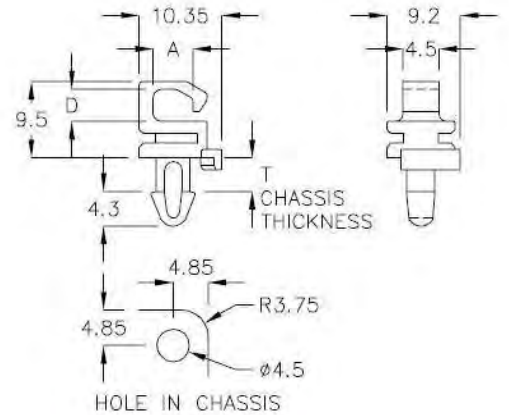
Built-In Anti-Spin Function

PART NO	A	D	T CHASSIS THICKNESS	PACKAGE
FWS-02	13.8	8.3	0.8~1.0	500



隔離束線座 WIRE SADDLE

- MATERIAL: NYLON 66(UL)
- FLAME CLASS: 94V-2
- COLOR: BLACK

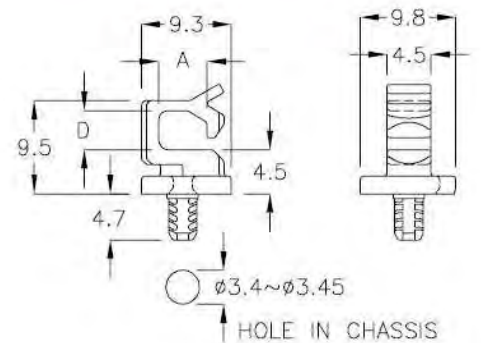


PART NO	A	D	T CHASSIS THICKNESS	PACKAGE
CYW-5K	5.0	4.0	4.0	1000



隔離束線座 WIRE SADDLE

- MATERIAL: NYLON 66(UL)
- FLAME CLASS: 94V-0
- COLOR: NATURAL



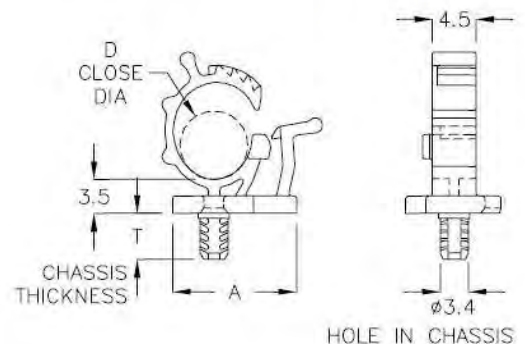
PART NO	A	D	PACKAGE
CFK-14TS	5.0	4.0	1000



電線固定座 WIRE MOUNT

- MATERIAL: NYLON 66(UL)
- FLAME CLASS: 94V-0
- COLOR: NATURAL

NEW



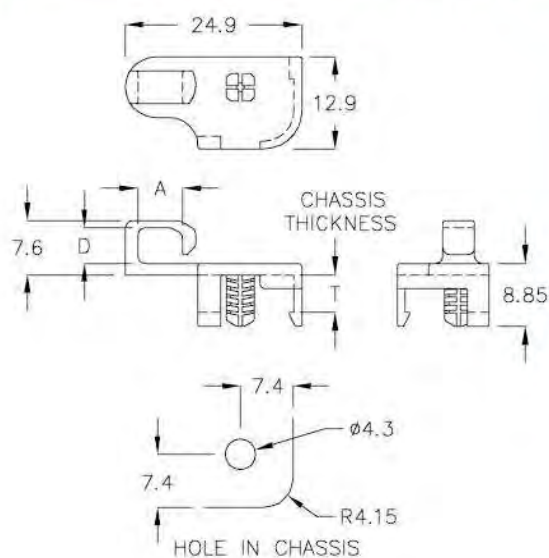
PART NO	A	D CLOSE DIA	T CHASSIS THICKNESS	PACKAGE
★ CFKA-6	12.75	φ6.0~φ7.0	5.0	1000



隔離束線座 WIRE SADDLE

6-71-1

- MATERIAL: NYLON 66(UL)
- FLAME CLASS: 94V-2
- COLOR: BLACK



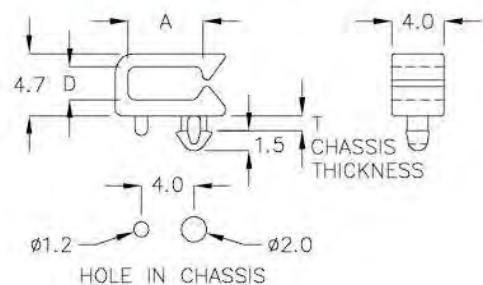
PART NO	A	D	T CHASSIS THICKNESS	PACKAGE
CYWF-24GH	6.35	5.0	5.0	500



隔離束線座 WIRE SADDLE

6-71-2

- MATERIAL: NYLON 66(UL)
- FLAME CLASS: 94V-2
- COLOR: NATURAL



Built-In Anti-Spin Function

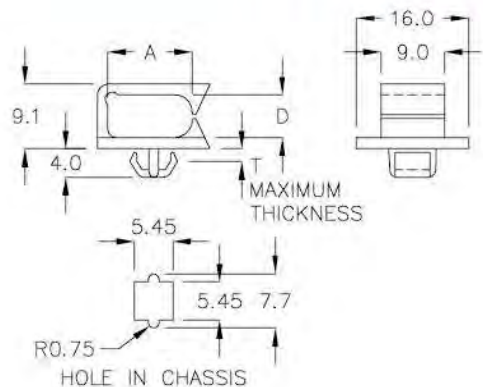
PART NO	A	D	T CHASSIS THICKNESS	PACKAGE
CUA-8K	5.6	2.5	1.0	1000



隔離束線座 WIRE SADDLE

6-71-3

- MATERIAL: NYLON 66(UL)
- FLAME CLASS: 94V-2
- COLOR: NATURAL



Built-In Anti-Spin Function

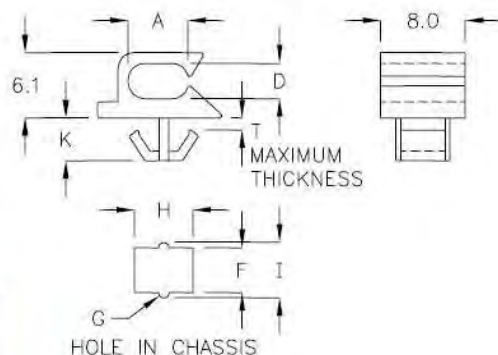
PART NO	A	D	T MAXIMUM THICKNESS	PACKAGE
CU-04	12.0	6.0	1.0	500



隔離束線座 WIRE SADDLE

6-72-1

- MATERIAL: NYLON 66(UL)
- FLAME CLASS: 94V-2
- COLOR: BLACK



Built-In Anti-Spin Function

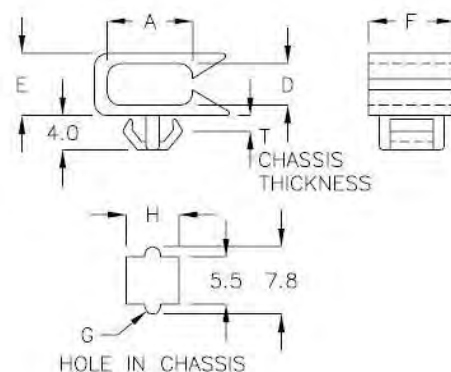
PART NO	A	D	F	G	H	I	K	T MAXIMUM THICKNESS	PACKAGE
CU-01H	5.6	3.3	4.2	R0.5	5.5	5.2	4.0	1.0	1000
CU-01K	5.6	3.3	4.2	R0.5	5.5	5.2	4.3	1.2	2000
CU-1RS	5.6	3.3	4.1	R0.55	4.3	5.1	4.3	1.1	1000



隔離束線座 WIRE SADDLE

6-72-2

- MATERIAL: NYLON 66(UL)
- FLAME CLASS: 94V-2
- COLOR: NATURAL, BLACK



Built-In Anti-Spin Function

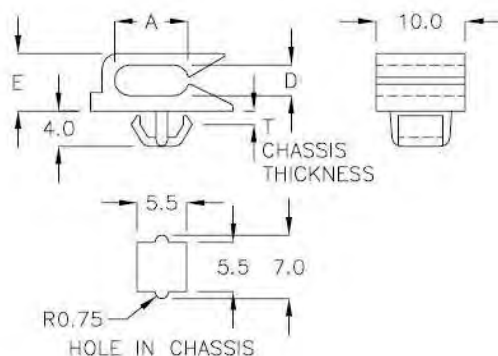
PART NO	A	D	E	F	G	H	T CHASSIS THICKNESS	PACKAGE
CU-2C	4.2	2.5	5.1	9.4	R0.9	6.2	1.0~1.2	1000
CU-03	10.0	4.8	7.2	10.0	R0.85	5.5	0.6~0.8	



隔離束線座 WIRE SADDLE

6-72-3

- MATERIAL: NYLON 66(UL)
- FLAME CLASS: 94V-2
- COLOR: NATURAL



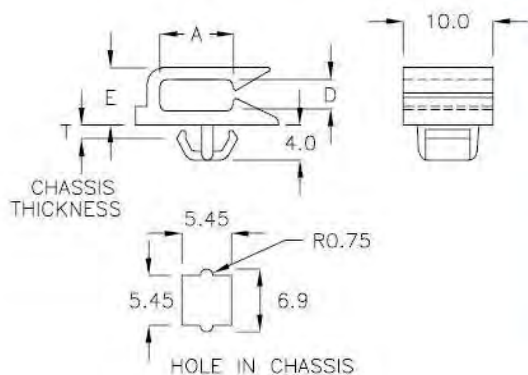
Built-In Anti-Spin Function

PART NO	A	D	E	T CHASSIS THICKNESS	PACKAGE
CU-01	8.2	3.3	6.4	0.8~1.0	1000
CU-01F	9.0	4.6	7.6	0.8~1.0	



隔離束線座 WIRE SADDLE 6-73-1

- MATERIAL: NYLON 66(UL)
- FLAME CLASS: 94V-2
- COLOR: NATURAL



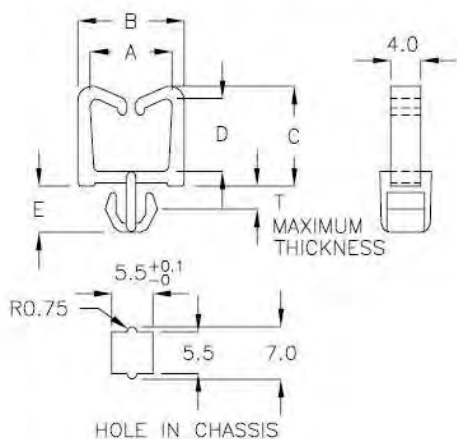
Built-In Anti-Spin Function

PART NO	A	D	E	T CHASSIS THICKNESS	PACKAGE
CU-01J	9.0	4.6	7.6	0.8~1.0	500



隔離束線座 WIRE SADDLE 6-73-2

- MATERIAL: NYLON 66(UL)
- FLAME CLASS: 94V-2
- COLOR: NATURAL



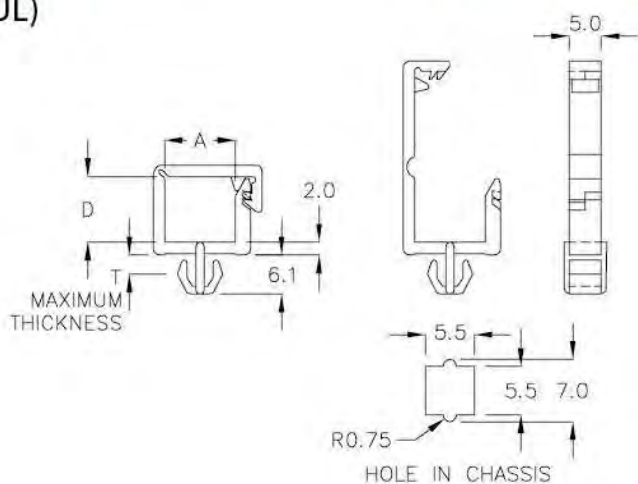
Built-In Anti-Spin Function

PART NO	A	B	C	D	E	T MAXIMUM THICKNESS	PACKAGE
CH-08	10.9	14.3	13.5	9.7	6.3	2.2	500
CH-08L	12.0	16.8	13.5	9.4	5.8	1.6	
CH-08A	11.0	14.3	15.7	12.0	6.1	2.2	



隔離束線座 WIRE SADDLE 6-73-3

- MATERIAL: NYLON 66(UL)
- FLAME CLASS: 94V-2
- COLOR: NATURAL



Built-In Anti-Spin Function
WITH LOCK FEATURE

PART NO	A	D	T MAXIMUM THICKNESS	PACKAGE
CKH-11	11.1	10.5	2.0	500
CKH-13	16.0	14.5	2.0	



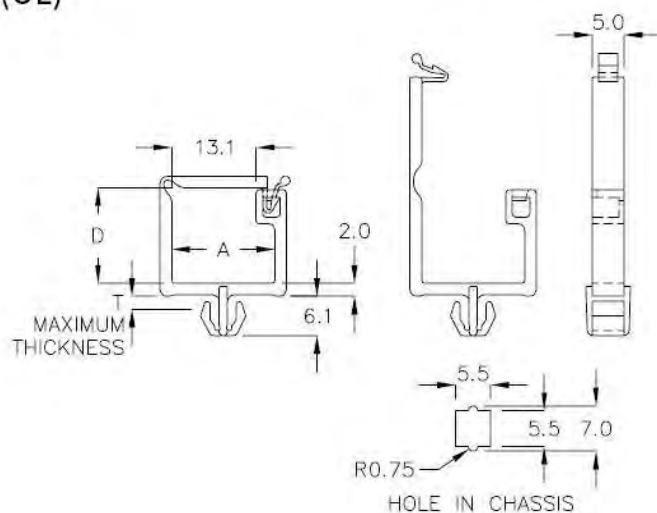
隔離束線座 WIRE SADDLE

6-74-1

- MATERIAL: NYLON 66(UL)
- FLAME CLASS: 94V-2
- COLOR: BLACK

Built-In Anti-Spin Function
WITH LOCK FEATURE

PART NO	A	D	T MAXIMUM THICKNESS	PACKAGE
CKHA-16	16.0	14.5	2.0	500



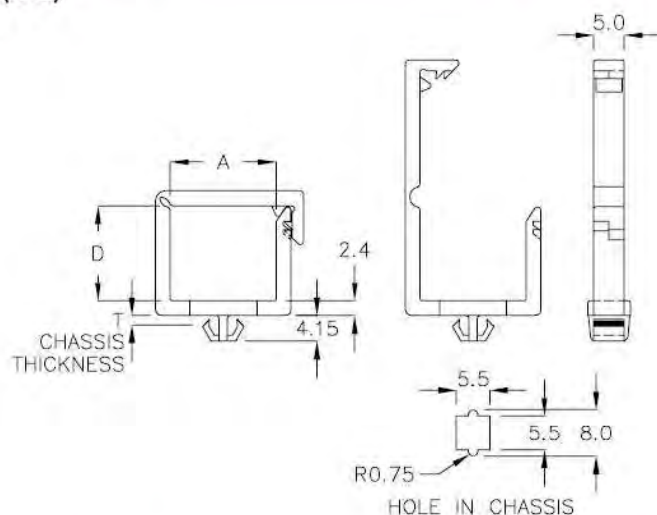
隔離束線座 WIRE SADDLE

6-74-2

- MATERIAL: NYLON 66(UL)
- FLAME CLASS: 94V-2
- COLOR: WHITE

Built-In Anti-Spin Function
WITH LOCK FEATURE

PART NO	A	D	T CHASSIS THICKNESS	PACKAGE
CKH-22A	22.2	21.5	0.8~1.0	500



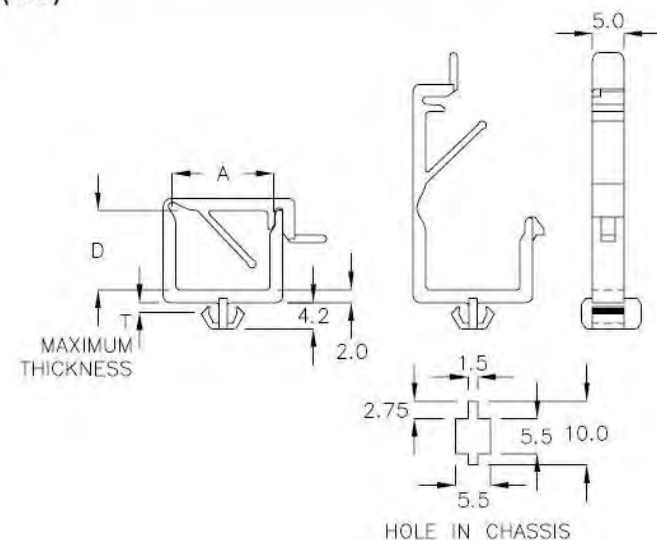
隔離束線座 WIRE SADDLE

6-74-3

- MATERIAL: NYLON 66(UL)
- FLAME CLASS: 94V-2
- COLOR: NATURAL

Built-In Anti-Spin Function
WITH LOCK FEATURE

PART NO	A	D	T MAXIMUM THICKNESS	PACKAGE
CYH-16C	16.0	14.0	0.6	500

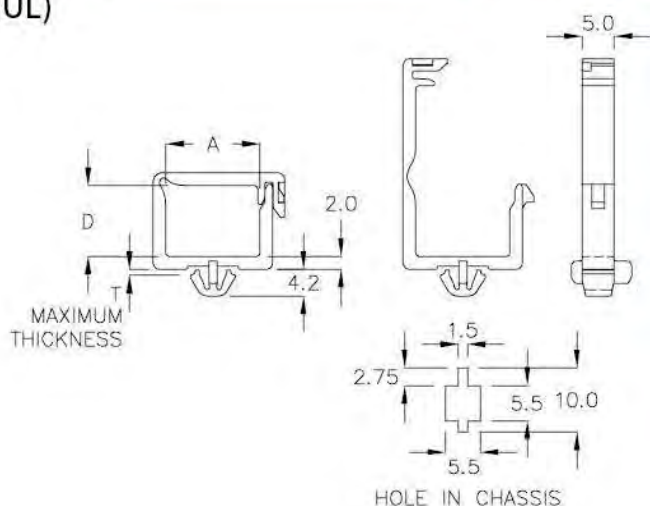




隔離束線座 WIRE SADDLE

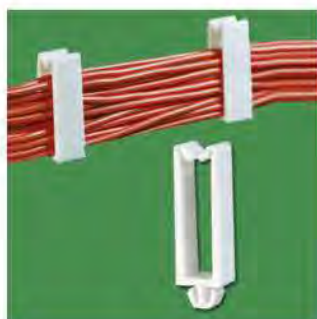
6-75-1

- MATERIAL: NYLON 66(UL)
- FLAME CLASS: 94V-2
- COLOR: NATURAL



Built-In Anti-Spin Function WITH LOCK FEATURE

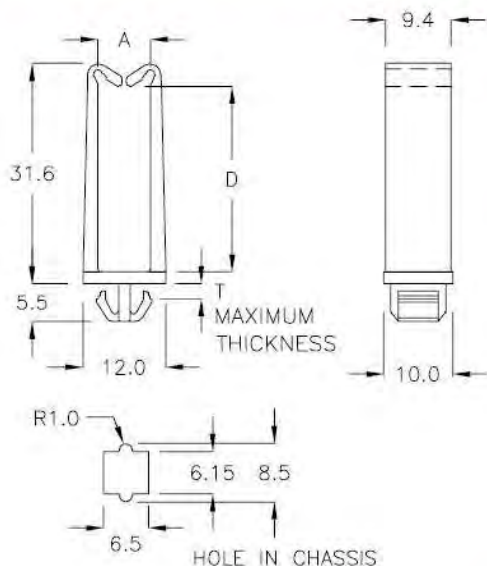
PART NO	A	D	T MAXIMUM THICKNESS	PACKAGE
CYK-16G	16.0	14.2	0.6	500



隔離束線座 WIRE SADDLE

6-75-2

- MATERIAL: NYLON 66(UL)
- FLAME CLASS: 94V-2
- COLOR: NATURAL



Built-In Anti-Spin Function

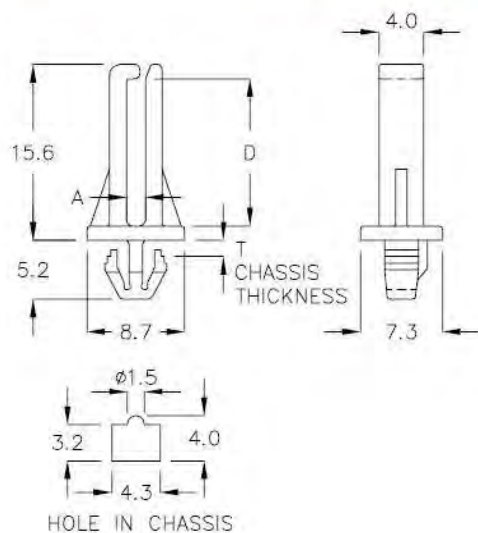
PART NO	A	D	T MAXIMUM THICKNESS	PACKAGE
CMB-7A	7.6	26.8	1.6	200



隔離束線座 WIRE SADDLE

6-75-3

- MATERIAL: NYLON 66(UL)
- FLAME CLASS: 94V-0
- COLOR: BLACK



Built-In Anti-Spin Function

PART NO	A	D	T CHASSIS THICKNESS	PACKAGE
★ CMBF-1K	1.7	13.0	1.2	200

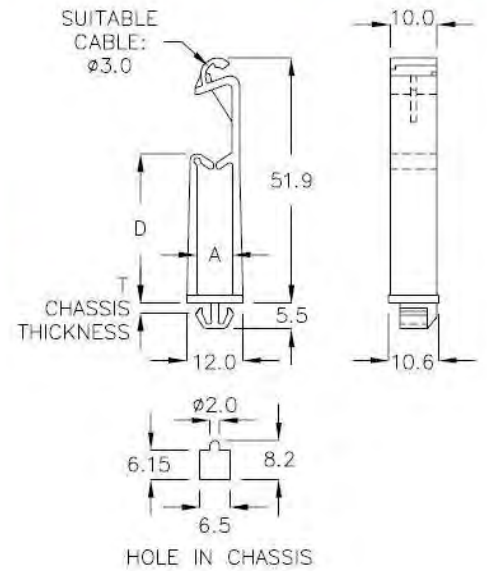


電線固定座 WIRE MOUNT

- MATERIAL: NYLON 66(UL)
- FLAME CLASS: 94V-2
- COLOR: BLACK

Built-In Anti-Spin Function

PART NO	A	D	T CHASSIS THICKNESS	PACKAGE
CYS-7TK	7.6	31.6	1.2~1.6	100

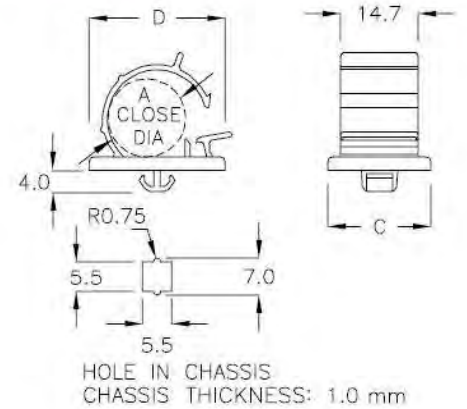


電線固定座 WIRE MOUNT

- MATERIAL: NYLON 66(UL)
- FLAME CLASS: 94V-2
- COLOR: BLACK

Built-In Anti-Spin Function WITH LOCK FEATURE

PART NO	A	C	D	PACKAGE
CD-4	$\phi 12.6$	19.6	25.8	100

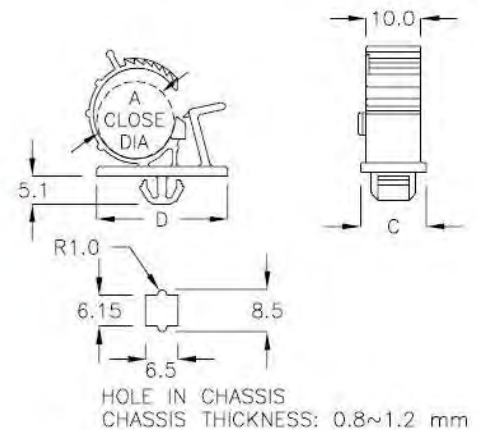


電線固定座 WIRE MOUNT

- MATERIAL: NYLON 66(UL)
- FLAME CLASS: 94V-2
- COLOR: BLACK

Built-In Anti-Spin Function WITH LOCK FEATURE

PART NO	A	C	D	PACKAGE
CDF-24	$\phi 11.0 \sim 13.0$	12.0	24.0	100





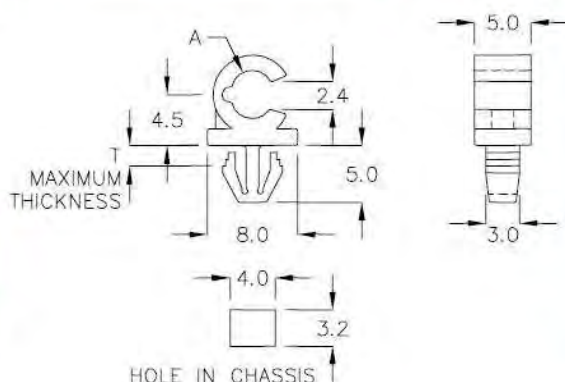
隔離束線座 WIRE SADDLE

6-77-1

- MATERIAL: NYLON 66(UL)
- FLAME CLASS: 94V-2
- COLOR: NATURAL

Built-In Anti-Spin Function

PART NO	A	T MAXIMUM THICKNESS	PACKAGE
CH-04C	ø4.0	1.0	1000



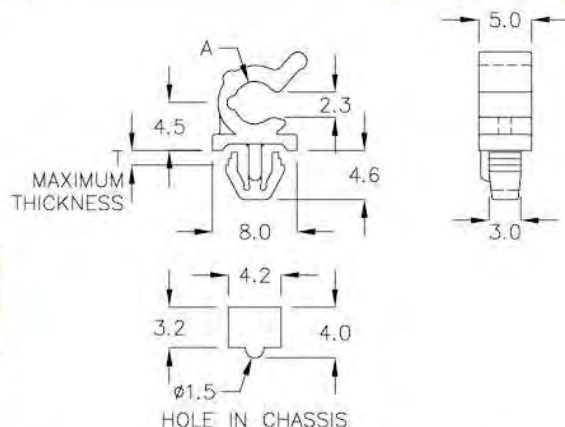
隔離束線座 WIRE SADDLE

6-77-2

- MATERIAL: NYLON 66(UL)
- FLAME CLASS: 94V-2
- COLOR: NATURAL

Built-In Anti-Spin Function

PART NO	A	T MAXIMUM THICKNESS	PACKAGE
CNA-04F	ø4.0	1.0	1000



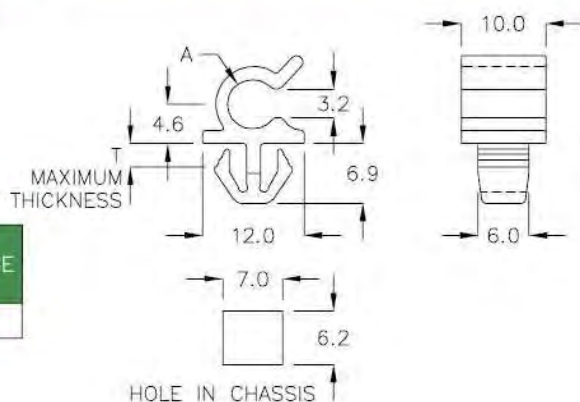
隔離束線座 WIRE SADDLE

6-77-3

- MATERIAL: NYLON 66(UL)
- FLAME CLASS: 94V-2
- COLOR: NATURAL

Built-In Anti-Spin Function

PART NO	A	T MAXIMUM THICKNESS	PACKAGE
CH-06S	ø5.5	2.0	500



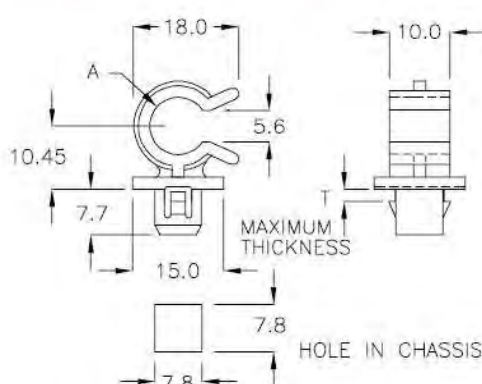
隔離束線座 WIRE SADDLE

6-77-4

- MATERIAL: NYLON 66(UL)
- FLAME CLASS: 94V-2
- COLOR: NATURAL

Built-In Anti-Spin Function

PART NO	A	T MAXIMUM THICKNESS	PACKAGE
CH-09	ø9.7	1.8	200

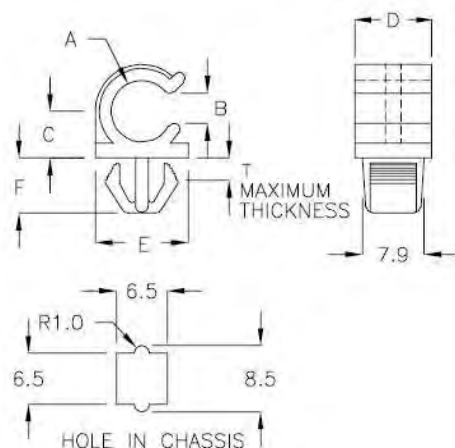




隔離束線座 WIRE SADDLE

6-78-1

- MATERIAL: NYLON 66(UL)
- FLAME CLASS: 94V-2
- COLOR: NATURAL, BLACK



Build-In Anti-Spin Function

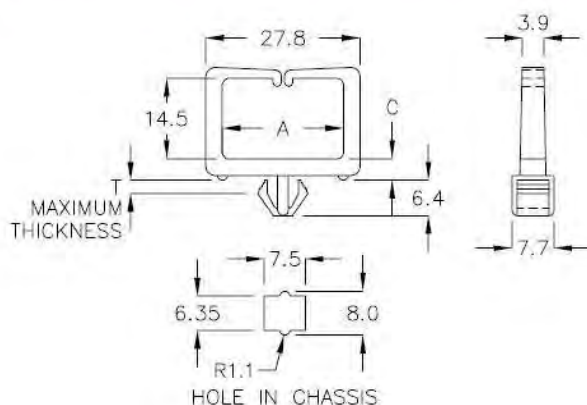
PART NO	A	B	C	D	E	F	T MAXIMUM THICKNESS	PACKAGE
CH-09S	∅7.9	3.5	6.0	9.9	12.0	7.0	2.0	500
CH-09A	∅8.0	4.9	7.1	8.0	11.6	5.55	2.0	
CH-09C	∅9.5	3.8	6.75	9.9	13.5	7.0	2.0	



隔離束線座 WIRE SADDLE

6-78-2

- MATERIAL: NYLON 66(UL)
- FLAME CLASS: 94V-2
- COLOR: NATURAL



Build-In Anti-Spin Function

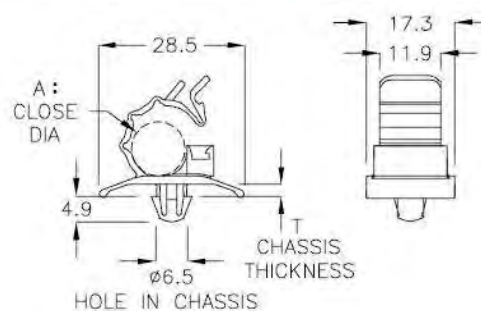
PART NO	A	C	T MAXIMUM THICKNESS	PACKAGE
CHN-01	21.6	3.9	2.2	200



電線固定座 WIRE MOUNT

6-78-3

- MATERIAL: NYLON 66(UL)
- FLAME CLASS: 94V-2
- COLOR: NATURAL, BLACK



WITH LOCK FEATURE

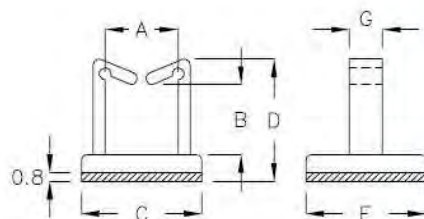
PART NO	A CLOSE DIA	T CHASSIS THICKNESS	PACKAGE
CCD-01	∅10.0	0.8~1.2	200



隔離束線座 WIRE SADDLE

6-19-1

- MATERIAL: NYLON 66(UL)
- FLAME CLASS: 94V-2
- COLOR: NATURAL
- ADHESIVE TAPE: 3M



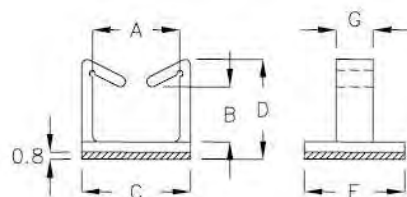
PART NO	A	B	C	D	F	G	PACKAGE
AB-20A	11.2	8.2	21.0	16.3	19.0	5.3	500
AB-20F	11.5	10.0	17.0	17.9	12.5	5.3	
AB-20	11.5	10.0	21.0	17.9	19.0	5.3	
AB-20K	16.6	9.8	26.4	17.9	19.0	7.0	
★ AB-17K	17.0	27.8	22.0	35.2	22.0	10.0	100
AB-20D	20.0	10.0	25.7	17.9	19.0	5.3	500



隔離束線座 WIRE SADDLE

6-19-2

- MATERIAL: NYLON 66(UL)
- FLAME CLASS: 94V-2
- COLOR: NATURAL
- ADHESIVE TAPE: 3M



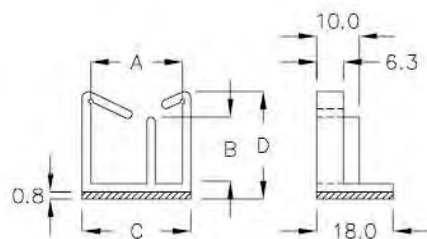
PART NO	A	B	C	D	F	G	PACKAGE
★ AB-16LM	6.8	14.0	10.0	20.0	16.0	5.0	500
AB-20M	6.8	14.0	10.0	20.0	20.0	5.0	
AB-11SJ	11.5	19.8	15.5	26.8	19.0	5.3	200
★ AB-15RK	15.1	26.2	19.5	34.0	19.5	10.0	100
AB-20L	16.5	10.2	20.5	18.2	18.9	7.0	200



隔離束線座 WIRE SADDLE

6-19-3

- MATERIAL: NYLON 66(UL)
- FLAME CLASS: 94V-2
- COLOR: NATURAL
- ADHESIVE TAPE: 3M



PART NO	A	B	C	D	PACKAGE
AB-21A	21.7	15.5	25.7	24.3	200

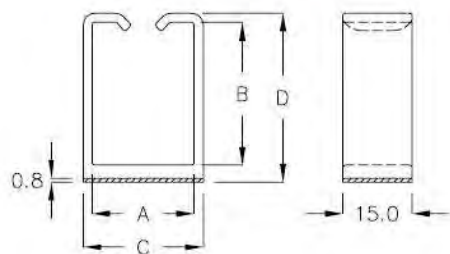


隔離束線座 WIRE SADDLE

6-20-1

- MATERIAL: NYLON 66(UL)
- FLAME CLASS: 94V-0
- COLOR: BLACK
- ADHESIVE TAPE: 3M

NEW



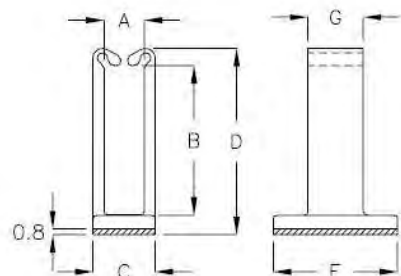
PART NO	A	B	C	D	PACKAGE
★ ABF-34DM	36.0	29.1	40.0	34.7	100
★ ABF-36CK	22.0	30.7	26.0	36.3	



隔離束線座 WIRE SADDLE

6-20-2

- MATERIAL: NYLON 66(UL)
- FLAME CLASS: 94V-2
- COLOR: BLACK, NATURAL
- ADHESIVE TAPE: 3M



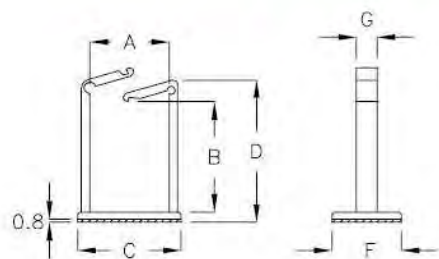
PART NO	A	B	C	D	F	G	PACKAGE
ABK-5Q	5.8	24.0	9.0	29.3	20.0	8.0	200



隔離束線座 WIRE SADDLE

6-20-3

- MATERIAL: NYLON 66(UL)
- FLAME CLASS: 94V-2
- COLOR: NATURAL
- ADHESIVE TAPE: 3M



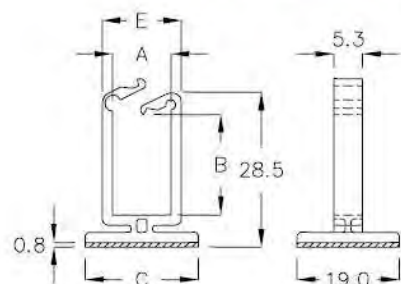
PART NO	A	B	C	D	F	G	PACKAGE
CMF-10CS	10.4	13.6	13.0	19.8	22.0	10.0	200
CMF-15A	15.1	27.7	19.5	34.0	19.5	10.0	
CMF-17	17.0	27.8	22.0	34.0	22.0	10.0	
CMF-23	23.0	31.8	30.0	40.8	20.0	6.0	



隔離束線座 WIRE SADDLE

6-20-4

- MATERIAL: NYLON 66(UL)
- FLAME CLASS: 94V-2
- COLOR: NATURAL
- ADHESIVE TAPE: 3M



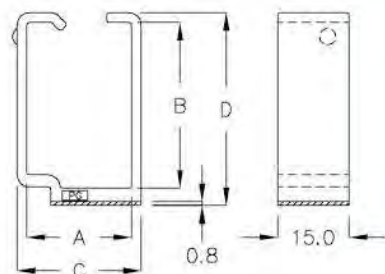
PART NO	A	B	C	E	PACKAGE
CHU-06	10.8	18.5	21.0	14.8	500
CHU-06K	10.8	18.5	16.0	14.8	



隔離束線座 WIRE SADDLE

6-21-1

- MATERIAL: NYLON 66(UL)
- FLAME CLASS: 94V-2
- COLOR: NATURAL
- ADHESIVE TAPE: 3M



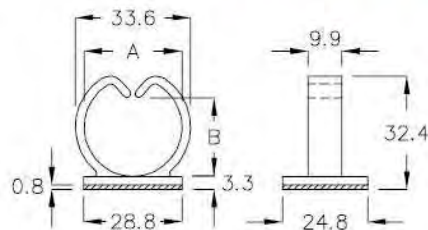
PART NO	A	B	C	D	PACKAGE
PAC-40GS	22.0	34.7	26.0	40.3	100
PAC-50M	27.0	44.7	31.0	50.3	



隔離束線座 WIRE SADDLE

6-21-2

- MATERIAL: NYLON 66(UL)
- FLAME CLASS: 94V-2
- COLOR: NATURAL
- ADHESIVE TAPE: 3M



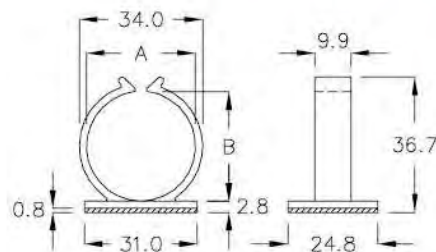
PART NO	A	B	PACKAGE
CZK-28F	28.6	22.8	200



隔離束線座 WIRE SADDLE

6-21-3

- MATERIAL: NYLON 66(UL)
- FLAME CLASS: 94V-2
- COLOR: BLACK
- ADHESIVE TAPE: 3M



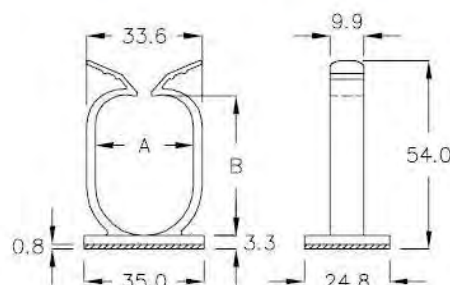
PART NO	A	B	PACKAGE
CZT-30JR	30.0	29.8	100



隔離束線座 WIRE SADDLE

6-21-4

- MATERIAL: NYLON 66(UL)
- FLAME CLASS: 94V-2
- COLOR: NATURAL
- ADHESIVE TAPE: 3M



PART NO	A	B	PACKAGE
CZW-28JK	28.6	40.5	100



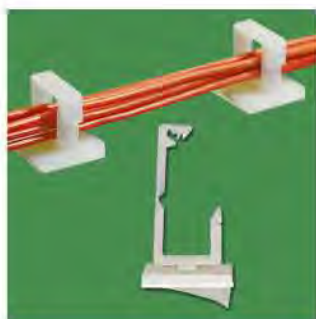
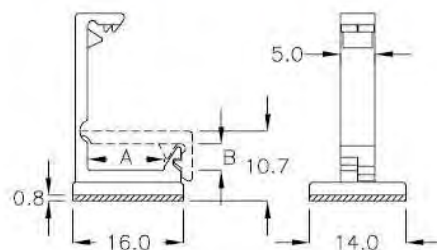
隔離束線座 WIRE SADDLE

6-22-1

- MATERIAL: NYLON 66(UL)
- FLAME CLASS: 94V-2
- COLOR: BLACK
- ADHESIVE TAPE: 3M

WITH LOCK FEATURE

PART NO	A	B	PACKAGE
PAK11-4A	11.1	4.4	200



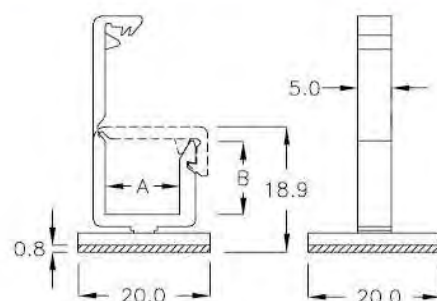
隔離束線座 WIRE SADDLE

6-22-2

- MATERIAL: NYLON 66(UL)
- FLAME CLASS: 94V-2
- COLOR: NATURAL
- ADHESIVE TAPE: 3M

WITH LOCK FEATURE

PART NO	A	B	PACKAGE
PAD11-11	11.1	11.4	200



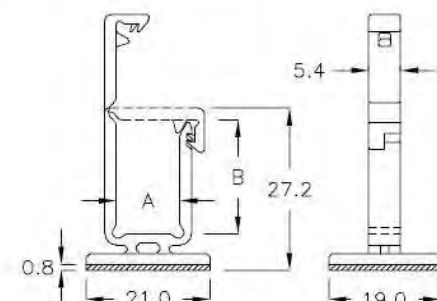
隔離束線座 WIRE SADDLE

6-22-3

- MATERIAL: NYLON 66(UL)
- FLAME CLASS: 94V-2
- COLOR: NATURAL
- ADHESIVE TAPE: 3M

WITH LOCK FEATURE

PART NO	A	B	PACKAGE
PAD10-19	11.0	19.3	200



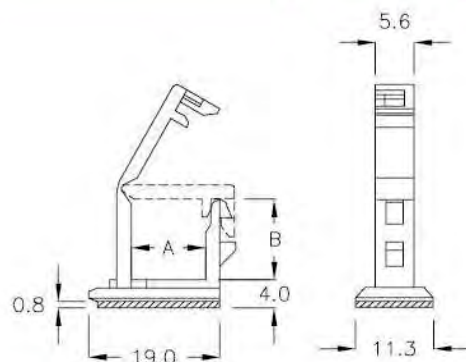
隔離束線座 WIRE SADDLE

6-22-4

- MATERIAL: NYLON 66(UL)
- FLAME CLASS: 94V-2
- COLOR: NATURAL
- ADHESIVE TAPE: 3M

WITH LOCK FEATURE

PART NO	A	B	PACKAGE
CKM-01	10.8	12.0	200





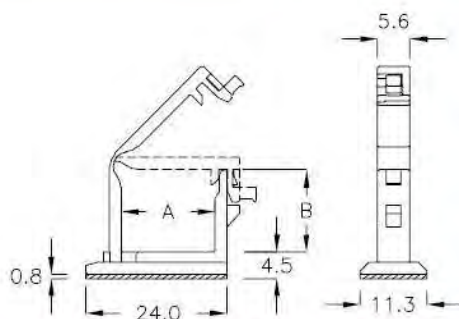
隔離束線座 WIRE SADDLE

6-23-1

- MATERIAL: NYLON 66(UL)
- FLAME CLASS: 94V-2
- COLOR: NATURAL
- ADHESIVE TAPE: 3M

WITH LOCK FEATURE

PART NO	A	B	PACKAGE
CKZ-16	16.0	14.0	200



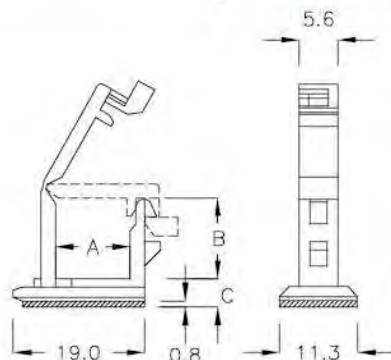
隔離束線座 WIRE SADDLE

6-23-2

- MATERIAL: NYLON 66(UL)
- FLAME CLASS: 94V-2
- COLOR: NATURAL
- ADHESIVE TAPE: 3M

WITH LOCK FEATURE

PART NO	A	B	C	PACKAGE
CKM-02	10.5	11.5	4.0	200
CKM-03	11.1	15.0	4.0	



隔離束線座 WIRE SADDLE

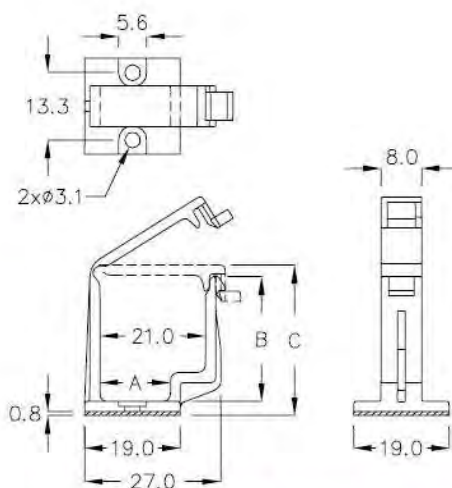
6-23-3

- MATERIAL: NYLON 66(UL)
- FLAME CLASS: 94V-0
- COLOR: BLACK
- ADHESIVE TAPE: 3M
- ALSO CAN BE FASTENED WITH M3 SCREW

NEW

WITH LOCK FEATURE

PART NO	A	B	C	PACKAGE
★ CKMA-21	14.0	27.6	32.8	100



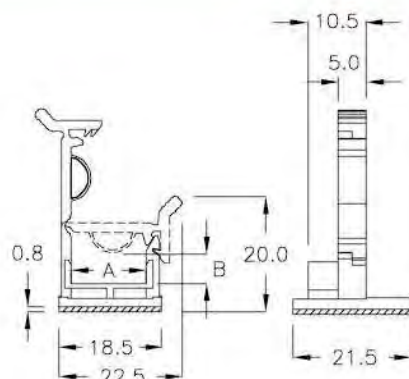
隔離束線座 WIRE SADDLE

6-23-4

- MATERIAL: NYLON 66(UL)
- FLAME CLASS: 94V-2
- COLOR: NATURAL
- ADHESIVE TAPE: 3M

WITH LOCK FEATURE

PART NO	A	B	PACKAGE
CKW-01	13.6	5.3	200

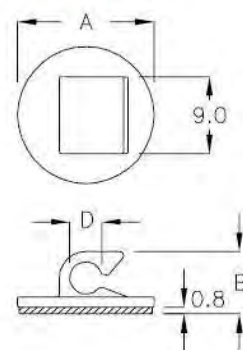




電線固定座 WIRE MOUNT

- MATERIAL: NYLON 66(UL)
- FLAME CLASS: 94V-2
- COLOR: NATURAL
- ADHESIVE TAPE: 3M

PART NO	A	B	D	PACKAGE
FRAC-3K	∅16.0	7.3	∅3.8	500



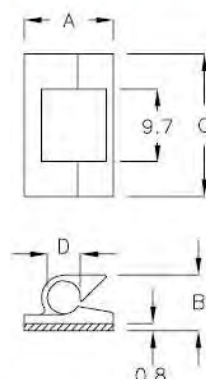
6-24-1



電線固定座 WIRE MOUNT

- MATERIAL: NYLON 66(UL)
- FLAME CLASS: 94V-2
- CABLE DIAMETER: $\Phi 4 \sim \Phi 5$
- COLOR: NATURAL
- ADHESIVE TAPE: 3M

PART NO	A	B	C	D	PACKAGE
FW-1P	12.0	7.3	19.0	∅4.5	500



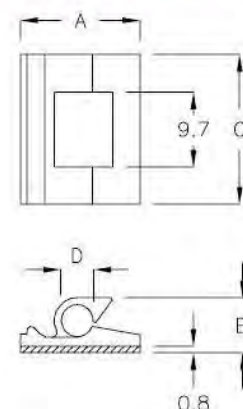
6-24-2



電線固定座 WIRE MOUNT

- MATERIAL: NYLON 66(UL)
- FLAME CLASS: 94V-2
- CABLE DIAMETER: $\Phi 4 \sim \Phi 5$
- COLOR: NATURAL
- ADHESIVE TAPE: 3M

PART NO	A	B	C	D	PACKAGE
FW-1	16.0	7.3	18.9	∅4.4	500



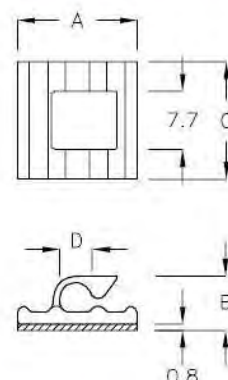
6-24-3



電線固定座 WIRE MOUNT

- MATERIAL: NYLON 66(UL)
- FLAME CLASS: 94V-2
- CABLE DIAMETER: $\Phi 4 \sim \Phi 5$
- COLOR: BLACK
- ADHESIVE TAPE: 3M

PART NO	A	B	C	D	PACKAGE
FW-1GH	16.0	7.2	15.6	∅4.4	500



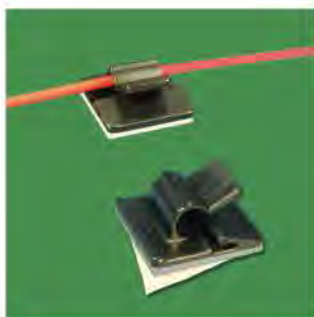
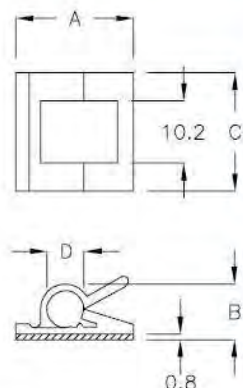
6-24-4



電線固定座 WIRE MOUNT ————— | 6-25-1 |

- MATERIAL: NYLON 66(UL)
- FLAME CLASS: 94V-2
- COLOR: NATURAL
- ADHESIVE TAPE: 3M

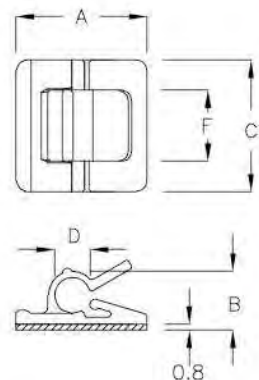
PART NO	A	B	C	D	CABLE DIM:	PACKAGE
FW-1A	19.0	8.8	20.2	∅6.0		500
FW-1AM	19.0	8.8	19.0	∅5.2		



電線固定座 WIRE MOUNT ————— | 6-25-2 |

- MATERIAL: NYLON 66(UL)
- FLAME CLASS: 94V-2
- COLOR: BLACK
- ADHESIVE TAPE: 3M

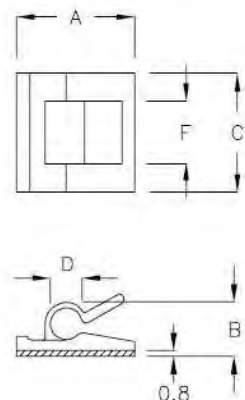
PART NO	A	B	C	D	F	PACKAGE
FW-1AS	19.0	8.5	19.0	∅5.2	10.2	500



電線固定座 WIRE MOUNT ————— | 6-25-3 |

- MATERIAL: NYLON 66(UL)
- FLAME CLASS: 94V-2
- COLOR: NATURAL
- ADHESIVE TAPE: 3M

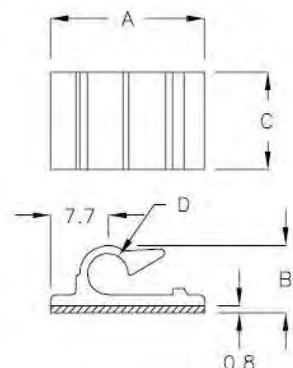
PART NO	A	B	C	D	F	PACKAGE
FW-1AK	16.0	7.3	19.0	∅4.0	10.2	500
FW-1AP	16.0	6.4	16.0	∅3.0	8.5	
FW-1AQ	16.0	7.4	19.0	∅4.0	10.2	
FW-1AR	16.0	7.4	19.0	∅3.6	10.2	
FW-1AT	16.0	7.4	19.0	∅4.2	10.2	



電線固定座 WIRE MOUNT ————— | 6-25-4 |

- MATERIAL: NYLON 66(UL)
- FLAME CLASS: 94V-2
- COLOR: NATURAL
- ADHESIVE TAPE: 3M

PART NO	A	B	C	D	PACKAGE
FW-1B	20.7	9.0	13.0	∅5.6	500
FW-1C	20.7	7.5	10.0	∅3.6	



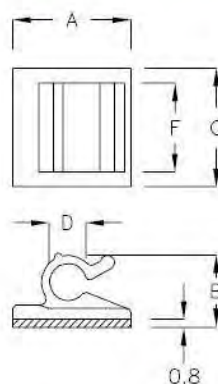


電線固定座 WIRE MOUNT

6-26-1

- MATERIAL: NYLON 66(UL)
- FLAME CLASS: 94V-2
- COLOR: NATURAL
- ADHESIVE TAPE: 3M

PART NO	A	B	C	D	F	PACKAGE
FW-1AJ	12.0	7.3	12.0	∅3.8	9.0	500

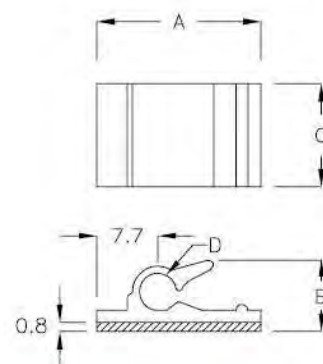


電線固定座 WIRE MOUNT

6-26-2

- MATERIAL: NYLON 66(UL)
- FLAME CLASS: 94V-2
- COLOR: NATURAL
- ADHESIVE TAPE: 3M

PART NO	A	B	C	D	PACKAGE
FW-2F	20.8	8.6	13.0	∅4.7	500

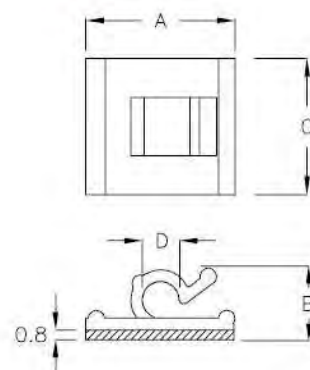


電線固定座 WIRE MOUNT

6-26-3

- MATERIAL: NYLON 66(UL)
- FLAME CLASS: 94V-2
- COLOR: NATURAL
- ADHESIVE TAPE: 3M

PART NO	A	B	C	D	PACKAGE
FW-01H	13.0	6.0	12.0	∅3.3	1000

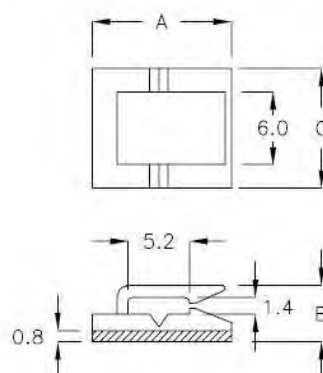


電線固定座 WIRE MOUNT

6-26-4

- MATERIAL: NYLON 66(UL)
- FLAME CLASS: 94V-2
- COLOR: NATURAL
- ADHESIVE TAPE: 3M
- SUIT FOR ARCUATE SURFACE

PART NO	A	B	C	PACKAGE
FW-01F	12.0	4.6	10.0	1000

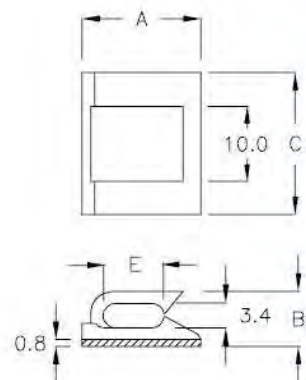




電線固定座 WIRE MOUNT 6-27-1

- MATERIAL: NYLON 66(UL)
- FLAME CLASS: 94V-2
- COLOR: NATURAL
- ADHESIVE TAPE: 3M

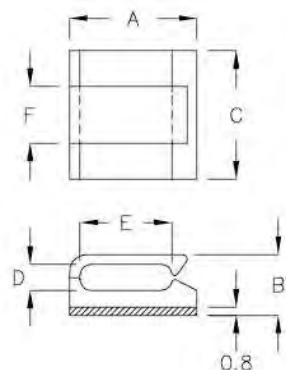
PART NO	A	B	C	E	PACKAGE
FW-2	16.0	7.2	19.0	8.3	500
FW-02P	14.0	7.2	16.0	6.3	
FW-02Q	18.0	7.2	19.0	10.2	



電線固定座 WIRE MOUNT 6-27-2

- MATERIAL: NYLON 66(UL)
- FLAME CLASS: 94V-2
- COLOR: NATURAL
- ADHESIVE TAPE: 3M

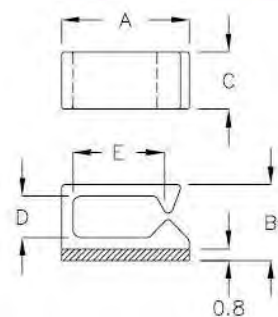
PART NO	A	B	C	D	E	F	PACKAGE
FW-6NJ	6.5	4.5	12.0	1.4	4.0	6.0	1000
FW-02N	9.8	4.5	9.5	1.4	6.5	6.4	
FW-2JG	8.0	7.6	12.0	4.4	5.1	4.0	500
FW-2MQ	10.0	5.9	9.4	2.5	4.25	6.4	
FW-2MP	12.0	6.3	9.4	2.5	6.25	6.4	
FW-2S	12.5	6.0	9.5	2.5	8.4	6.7	
FW-2SP	12.7	6.3	12.5	2.5	8.2	6.3	
FW-2AG	12.7	6.4	12.7	2.8	8.4	6.4	
FW-2M	14.5	6.4	9.5	2.5	10.2	6.4	
FW-2MA	16.7	6.6	13.0	3.1	11.6	9.0	



電線固定座 WIRE MOUNT 6-27-3

- MATERIAL: NYLON 66(UL)
- FLAME CLASS: 94V-2
- COLOR: NATURAL
- ADHESIVE TAPE: 3M

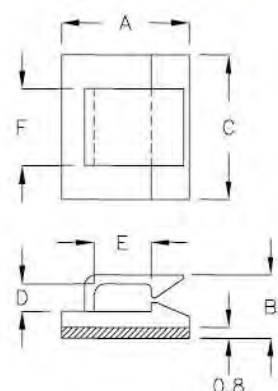
PART NO	A	B	C	D	E	PACKAGE
FW-2SC	9.0	5.3	4.0	2.9	6.4	1000
FW-9NT	9.0	5.3	8.0	2.9	6.5	



電線固定座 WIRE MOUNT 6-27-4

- MATERIAL: NYLON 66(UL)
- FLAME CLASS: 94V-2
- COLOR: NATURAL
- ADHESIVE TAPE: 3M

PART NO	A	B	C	D	E	F	PACKAGE
FW-1Q	11.7	5.2	10.0	2.0	5.2	6.0	1000
FW-1S	11.7	5.6	16.0	2.5	5.2	7.1	
FW-1M	12.3	6.4	15.9	3.2	6.0	7.0	
FW-19A	19.9	6.1	11.9	2.6	13.2	10.0	500
FW-019	19.9	6.7	14.0	3.2	13.2	10.0	



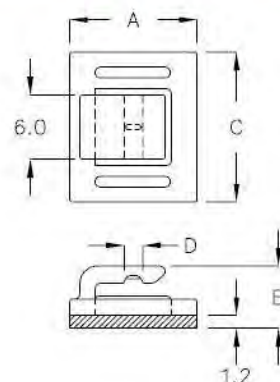


電線固定座 WIRE MOUNT

6-28-1

- MATERIAL: ABS(UL)
- FLAME CLASS: 94HB
- COLOR: BLACK
- ADHESIVE TAPE: 3M

PART NO	A	B	C	D	SUITABLE CABLE	PACKAGE
FYS-4HJ	12.0	5.8	14.0	∅2.1		500

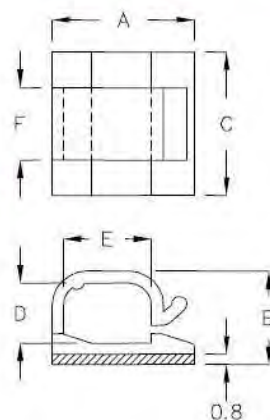


電線固定座 WIRE MOUNT

6-28-2

- MATERIAL: NYLON 66(UL)
- FLAME CLASS: 94V-2
- COLOR: NATURAL
- ADHESIVE TAPE: 3M

PART NO	A	B	C	D	E	F	PACKAGE
FW-2D	19.0	11.8	19.0	7.8	12.5	9.7	500
FW-2DP	19.05	12.25	19.05	7.85	11.7	9.5	
FW-2RN	19.25	12.15	15.5	7.9	11.7	14.0	
★ FW-2DG	26.0	19.4	19.0	15.0	18.6	9.5	
FW-2DT	29.4	12.2	19.0	7.8	22.0	9.5	200

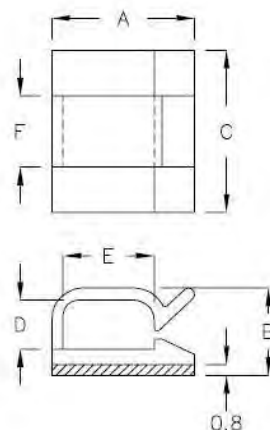


電線固定座 WIRE MOUNT

6-28-3

- MATERIAL: NYLON 66(UL)
- FLAME CLASS: 94V-2
- COLOR: NATURAL
- ADHESIVE TAPE: 3M

PART NO	A	B	C	D	E	F	PACKAGE
FW-1DS	11.4	8.1	16.0	4.7	6.0	7.0	500
FW-3DK	13.0	8.7	14.0	5.2	9.0	7.1	
FW-1D	13.4	8.1	15.9	4.7	8.0	7.0	
FW-3D	14.4	8.3	16.0	4.8	9.0	7.0	
FW-4D	14.4	8.7	15.9	5.2	8.2	7.1	
FW-1DL	15.4	8.1	16.0	4.7	9.9	7.0	
FW-5D	16.8	10.2	16.0	6.5	10.1	7.0	
FW-20HQ	20.0	10.1	16.0	6.6	15.8	9.0	200
FW-22AD	22.7	9.5	20.0	6.0	18.0	10.0	
FW-33H	33.0	10.4	20.0	6.0	26.8	10.0	

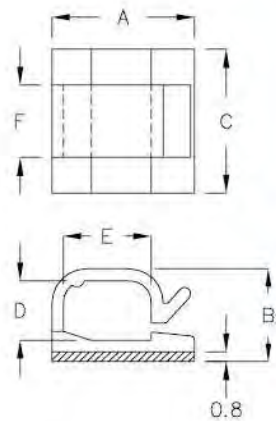




電線固定座 WIRE MOUNT ————— | 6-29-1 |

- MATERIAL: NYLON 66(UL)
- FLAME CLASS: 94V-2
- COLOR: NATURAL
- ADHESIVE TAPE: 3M

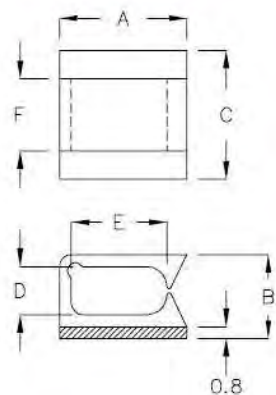
PART NO	A	B	C	D	E	F	PACKAGE
FW-2DS	14.9	9.5	19.0	6.0	7.9	9.6	500
FW-2DM	16.0	9.5	19.0	6.0	9.0	9.6	
FW-6D	20.8	12.1	19.0	8.2	13.6	9.0	



電線固定座 WIRE MOUNT ————— | 6-29-2 |

- MATERIAL: NYLON 66(UL)
- FLAME CLASS: 94V-2
- COLOR: NATURAL
- ADHESIVE TAPE: 3M

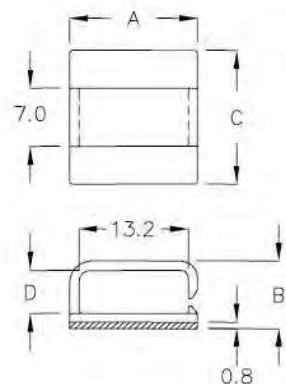
PART NO	A	B	C	D	E	F	PACKAGE
FW-2KP	12.0	7.0	12.1	3.5	6.2	9.0	500
FW-2KQ	13.0	7.05	12.0	3.5	8.2	9.0	
FW-2K	14.0	7.24	12.1	3.5	10.5	10.0	
FW-2LP	14.0	9.8	16.0	6.0	7.5	9.0	
FW-2LQ	16.0	9.8	16.0	6.0	9.6	9.0	
FW-2L	16.0	9.9	16.0	6.0	12.0	9.0	



電線固定座 WIRE MOUNT ————— | 6-29-3 |

- MATERIAL: NYLON 66(UL)
- FLAME CLASS: 94V-2
- COLOR: BLACK
- ADHESIVE TAPE: 3M

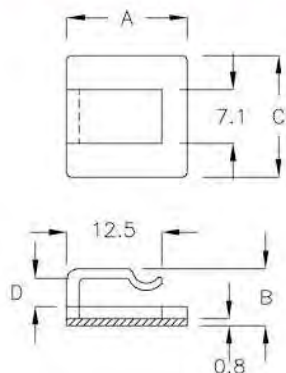
PART NO	A	B	C	D	PACKAGE
FW-15ZK	15.4	8.1	16.0	5.2	1000



電線固定座 WIRE MOUNT ————— | 6-29-4 |

- MATERIAL: NYLON 66(UL)
- FLAME CLASS: 94V-2
- COLOR: NATURAL
- ADHESIVE TAPE: 3M

PART NO	A	B	C	D	PACKAGE
FDW-1	16.0	7.3	16.0	3.7	500



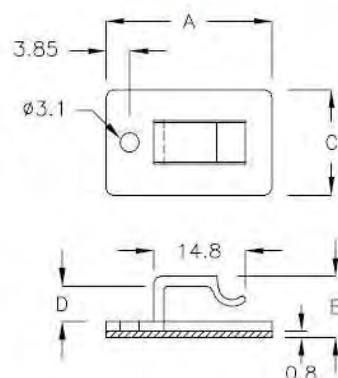


電線固定座 WIRE MOUNT

6-30-1

- MATERIAL: NYLON 66(UL)
- FLAME CLASS: 94V-2
- COLOR: NATURAL
- ADHESIVE TAPE: 3M
- ALSO CAN BE FASTENED WITH M3 SCREW

PART NO	A	B	C	D	PACKAGE
FDW-3	27.0	9.3	17.0	5.7	500

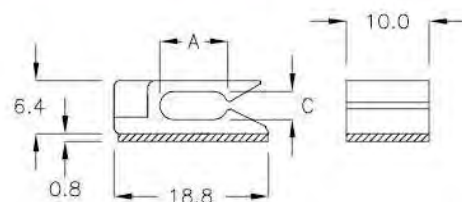


電線固定座 WIRE MOUNT

6-30-2

- MATERIAL: NYLON 66(UL)
- FLAME CLASS: 94V-2
- COLOR: NATURAL
- ADHESIVE TAPE: 3M

PART NO	A	C	PACKAGE
CU-01A	8.2	3.3	1000

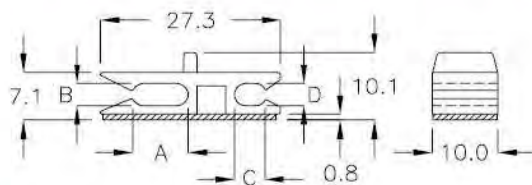


電線固定座 WIRE MOUNT

6-30-3

- MATERIAL: NYLON 66(UL)
- FLAME CLASS: 94V-2
- COLOR: NATURAL
- ADHESIVE TAPE: 3M

PART NO	A	B	C	D	PACKAGE
CU-01D	8.6	3.3	4.9	3.3	1000

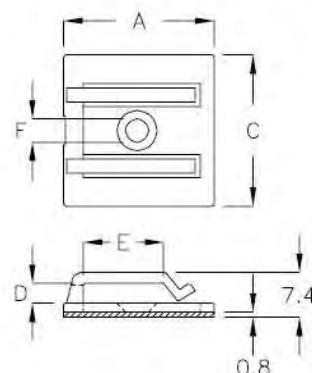


電線固定座 WIRE MOUNT

6-30-4

- MATERIAL: NYLON 66(UL)
- FLAME CLASS: 94V-2
- COLOR: NATURAL
- ADHESIVE TAPE: 3M
- ALSO CAN BE FASTENED WITH M4 COUNTERSUNK SCREW

PART NO	A	C	D	E	F	PACKAGE
FSC-01	25.7	25.4	3.3	13.6	ø4.7	500
FSC-02	25.4	25.4	3.05	12.5	ø5.0	



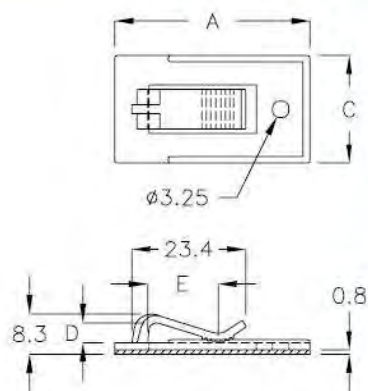


排線固定座 FLAT CABLE CLAMP

6-31-1

- MATERIAL: NYLON 66(UL)
- FLAME CLASS: 94V-2
- COLOR: BLACK
- ADHESIVE TAPE: 3M
- ALSO CAN BE FASTENED WITH M3 SCREW

PART NO	A	C	D	E	PACKAGE
FDX-40	40.0	22.0	4.0	14.5	500

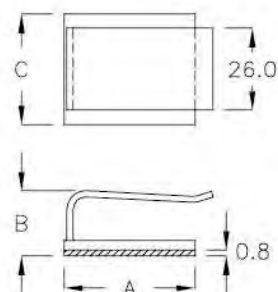


電線固定座 WIRE MOUNT

6-31-2

- MATERIAL: NYLON 66(UL)
- FLAME CLASS: 94V-2
- COLOR: NATURAL
- ADHESIVE TAPE: 3M

PART NO	A	B	C	PACKAGE
FDM-42	42.0	19.1	35.0	100

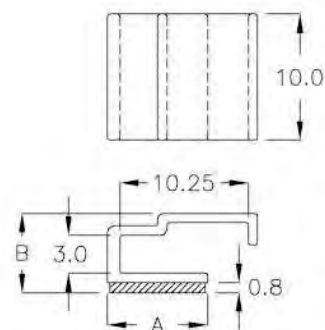


固定座 MOUNT

6-31-3

- MATERIAL: NYLON 66(UL)
- FLAME CLASS: 94V-2
- COLOR: NATURAL
- ADHESIVE TAPE: 3M

PART NO	A	B	PACKAGE
FSL-12GK	8.0	6.3	1000

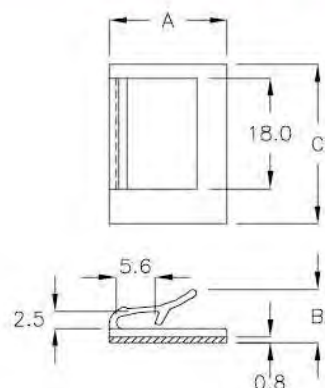


電線固定座 WIRE MOUNT

6-31-4

- MATERIAL: NYLON 66(UL)
- FLAME CLASS: 94V-2
- COLOR: NATURAL
- ADHESIVE TAPE: 3M

PART NO	A	B	C	PACKAGE
FDK-25	17.0	7.65	25.0	500



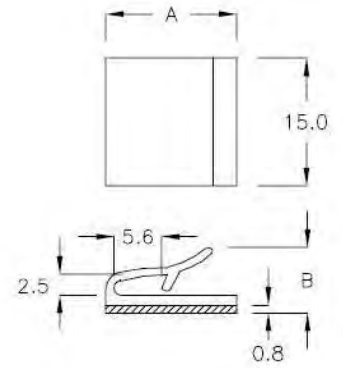


電線固定座 WIRE MOUNT

6-32-1

- MATERIAL: NYLON 66(UL)
- FLAME CLASS: 94V-2
- COLOR: NATURAL
- ADHESIVE TAPE: 3M

PART NO	A	B	PACKAGE
FW-11	15.5	7.6	500

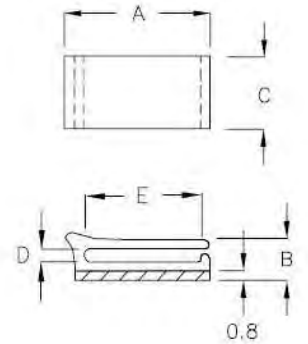


電線固定座 WIRE MOUNT

6-32-2

- MATERIAL: NYLON 66(UL)
- FLAME CLASS: 94V-2
- COLOR: NATURAL
- ADHESIVE TAPE: 3M

PART NO	A	B	C	D	E	PACKAGE
FYK-16A	16.15	4.3	8.0	1.5	13.0	500

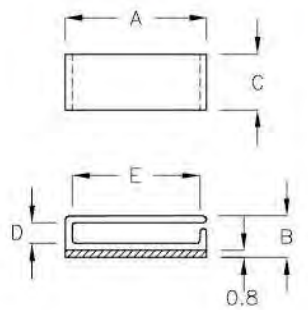


電線固定座 WIRE MOUNT

6-32-3

- MATERIAL: NYLON 66(UL)
- FLAME CLASS: 94V-2
- COLOR: NATURAL
- ADHESIVE TAPE: 3M

PART NO	A	B	C	D	E	PACKAGE
FYM-20M	20.5	5.8	8.0	3.0	18.5	500
FYM-21	21.0	4.3	8.0	1.5	19.0	

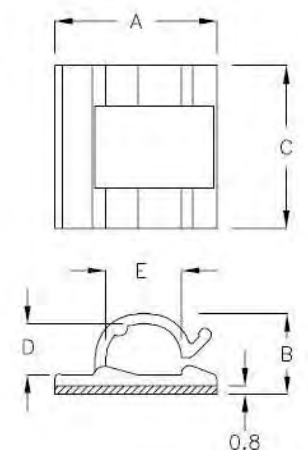


電線固定座 WIRE MOUNT

6-32-4

- MATERIAL: NYLON 66(UL)
- FLAME CLASS: 94V-2
- COLOR: NATURAL
- ADHESIVE TAPE: 3M

PART NO	A	B	C	D	E	PACKAGE
FW-2DN	25.4	12.2	15.6	7.9	8.0	500
FW-2DA	25.4	12.2	15.6	7.9	11.7	
FW-2DC	25.4	15.5	15.9	11.1	11.7	
FW-2DL	25.4	12.1	25.4	7.9	11.8	
FW-2DW	25.4	12.1	25.4	7.9	15.0	

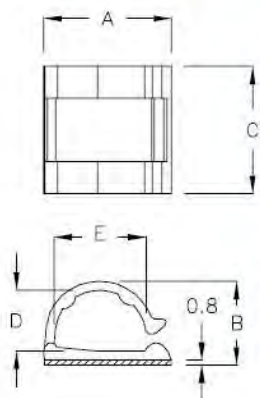




電線固定座 WIRE MOUNT | 6-33-1 |

- MATERIAL: NYLON 66(UL)
- FLAME CLASS: 94V-2
- COLOR: NATURAL
- ADHESIVE TAPE: 3M

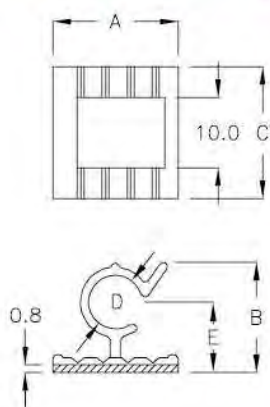
PART NO	A	B	C	D	E	PACKAGE
FW-2DR	25.4	16.3	25.4	11.8	15.0	200
FW-2DK	25.4	16.3	25.4	11.8	18.4	
FW-2DY	40.0	26.2	40.0	20.2	20.0	50
FW-2DJ	40.0	26.2	40.0	20.2	28.8	



電線固定座 WIRE MOUNT | 6-33-2 |

- MATERIAL: NYLON 66(UL)
- FLAME CLASS: 94V-2
- COLOR: NATURAL
- ADHESIVE TAPE: 3M
- SUIT FOR ARCUATE SURFACE

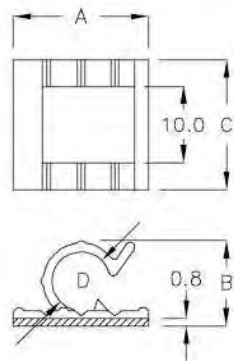
PART NO	A	B	C	D	E	PACKAGE
FW-1CH	18.2	13.2	19.0	∅5.0	8.4	500
FW-2CH	18.2	15.2	19.0	∅7.8	9.9	
FW-3CH	18.2	13.2	19.0	∅6.7	8.4	
FW-4CH	23.0	15.3	15.0	∅7.8	9.9	



電線固定座 WIRE MOUNT | 6-33-3 |

- MATERIAL: NYLON 66(UL)
- FLAME CLASS: 94V-2
- CABLE DIAMETER: ∅7.8
- COLOR: NATURAL
- ADHESIVE TAPE: 3M
- SUIT FOR ARCUATE SURFACE

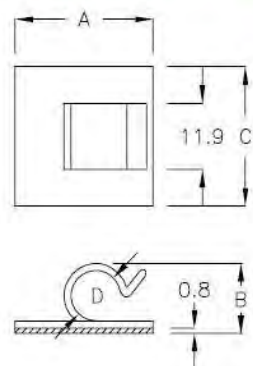
PART NO	A	B	C	D	PACKAGE
FW-2C	18.2	11.0	19.0	∅7.8	500



電線固定座 WIRE MOUNT | 6-33-4 |

- MATERIAL: NYLON 66(UL)
- FLAME CLASS: 94V-2
- CABLE DIAMETER: ∅9.1
- COLOR: NATURAL
- ADHESIVE TAPE: 3M

PART NO	A	B	C	D	PACKAGE
FW-2DQ	25.1	12.6	25.1	∅9.1	500



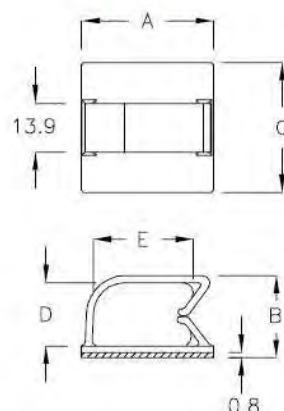


電線固定座 WIRE MOUNT

6-34-1

- MATERIAL: NYLON 66(UL)
- FLAME CLASS: 94V-2
- COLOR: NATURAL
- ADHESIVE TAPE: 3M

PART NO	A	B	C	D	E	PACKAGE
FW-6F	38.0	22.8	37.2	18.0	28.6	100

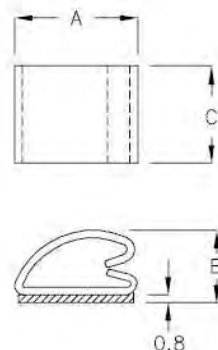


電線固定座 WIRE MOUNT

6-34-2

- MATERIAL: NYLON 66(UL)
- FLAME CLASS: 94V-2
- COLOR: NATURAL
- ADHESIVE TAPE: 3M

PART NO	A	B	C	PACKAGE
FW-7	19.2	11.4	20.0	500
FW-7S	19.2	11.4	15.0	

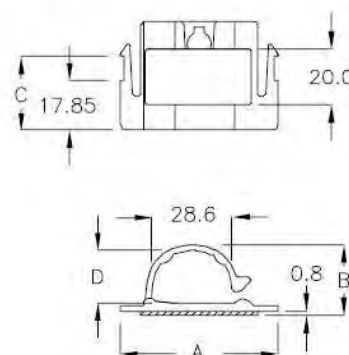


電線固定座 WIRE MOUNT

6-34-3

- MATERIAL: NYLON 66(UL)
- FLAME CLASS: 94V-2
- COLOR: BLACK
- ADHESIVE TAPE: 3M

PART NO	A	B	C	D	PACKAGE
FWB-12	57.3	24.8	26.5	19.1	100

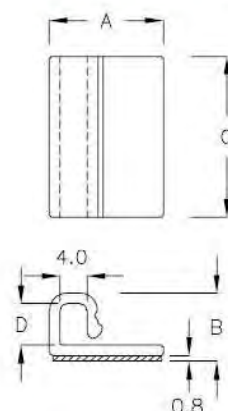


電線固定座 WIRE MOUNT

6-34-4

- MATERIAL: NYLON 66(UL)
- FLAME CLASS: 94V-2
- COLOR: NATURAL
- ADHESIVE TAPE: 3M

PART NO	A	B	C	D	PACKAGE
FSD-6A	16.5	9.8	32.0	6.0	500



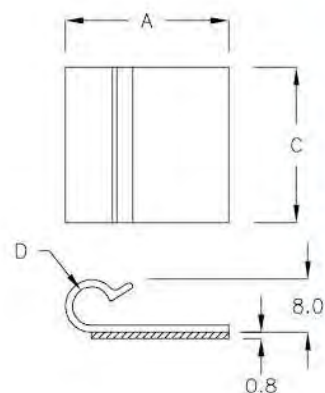


電線固定座 WIRE MOUNT

6-35-1

- MATERIAL: NYLON 66(UL)
- FLAME CLASS: 94V-2
- COLOR: NATURAL
- ADHESIVE TAPE: 3M

PART NO	A	C	D	PACKAGE
FWG-38	24.7	37.5	∅5.8	100

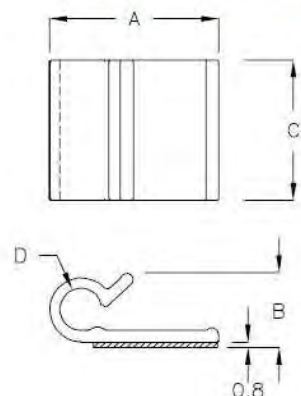


電線固定座 WIRE MOUNT

6-35-2

- MATERIAL: NYLON 66(UL)
- FLAME CLASS: 94V-2
- COLOR: NATURAL
- ADHESIVE TAPE: 3M

PART NO	A	B	C	D	PACKAGE
FWG-10	13.4	5.95	10.0	∅2.7	1000
FWG-12	14.5	6.75	12.0	∅3.7	200

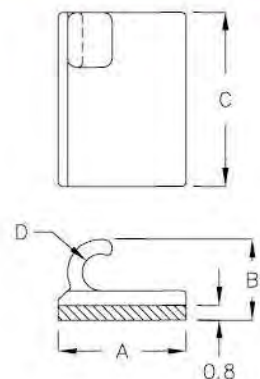


電線固定座 WIRE MOUNT

6-35-3

- MATERIAL: NYLON 66(UL)
- FLAME CLASS: 94V-0
- COLOR: NATURAL
- ADHESIVE TAPE: 3M

PART NO	A	B	C	D	PACKAGE
FWGA-10C	7.0	4.4	10.3	∅2.0	500



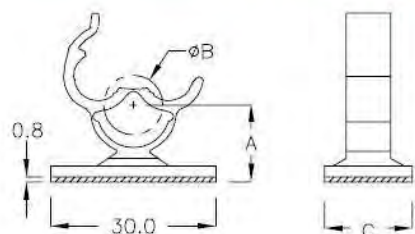
電線固定座 WIRE MOUNT

6-35-4

- MATERIAL: NYLON 66(UL)
- FLAME CLASS: 94V-2
- COLOR: NATURAL
- ADHESIVE TAPE: 3M

WITH LOCK FEATURE

PART NO	A	B CLOSE DIA	C	PACKAGE
FW-CD30	13.8	∅8.6	16.0	200

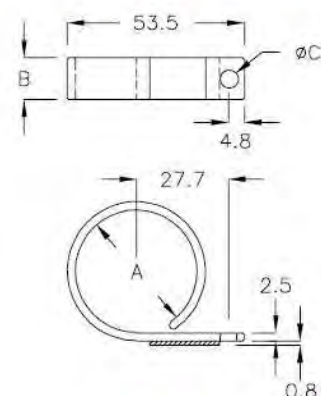




電線固定扣 CABLE CLAMP

- MATERIAL: NYLON 66(UL)
- FLAME CLASS: 94V-2
- COLOR: NATURAL
- ADHESIVE TAPE: 3M
- ALSO CAN BE FASTENED WITH M4 SCREW

PART NO	A	B	C	PACKAGE
PCX-39M	∅36.9	12.6	∅4.9	100



6-36-1

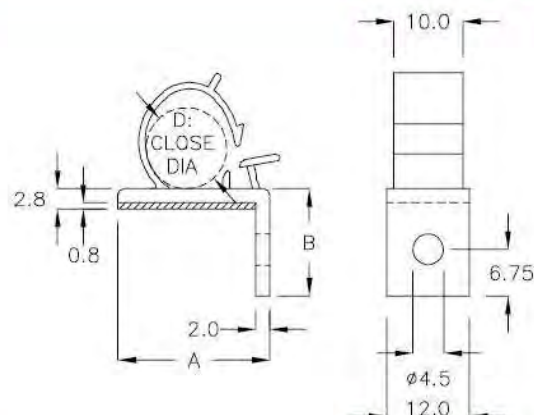


電線固定座 TIE MOUNT

- MATERIAL: NYLON 66(UL)
- FLAME CLASS: 94V-2
- COLOR: NATURAL
- ADHESIVE TAPE: 3M
- ALSO CAN BE FASTENED WITH M4 SCREW

WITH LOCK FEATURE

PART NO	A	B	D	PACKAGE
LFW-3	22.0	15.5	∅11.7	200



6-36-2

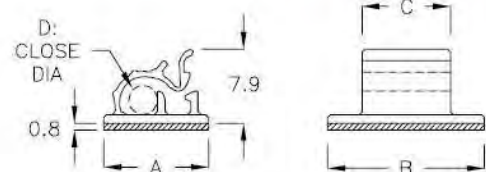


電線固定座 TIE MOUNT

- MATERIAL: NYLON 66(UL)
- FLAME CLASS: 94V-2
- COLOR: NATURAL
- ADHESIVE TAPE: 3M

WITH LOCK FEATURE

PART NO	A	B	C	D	PACKAGE
FWZ-3A	11.3	18.5	11.2	∅3.4	500



6-36-3

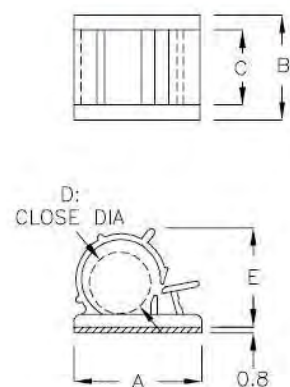


電線固定座 TIE MOUNT

- MATERIAL: NYLON 66(UL)
- FLAME CLASS: 94V-2
- COLOR: NATURAL
- ADHESIVE TAPE: 3M

WITH LOCK FEATURE

PART NO	A	B	C	D	E	PACKAGE
FW-04S	22.0	16.0	10.0	∅11.7	18.6	200
FW-3	25.0	19.6	12.0	∅9.0	16.7	
FW-03A	19.0	19.0	9.0	∅6.8	13.6	
FW-3S	21.0	19.0	9.0	∅7.8	13.1	
FW-3L	21.6	16.8	12.0	∅10.4	15.8	
FW-4	29.8	19.8	14.7	∅12.6	27.2	100
FW-04L	33.5	24.8	16.2	∅19.0	31.0	



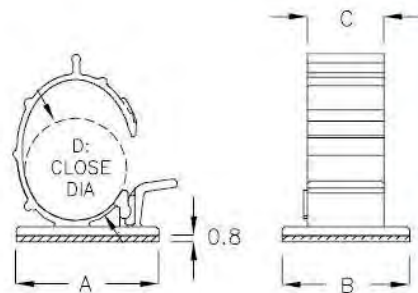
6-36-4



電線固定座 TIE MOUNT

6-37-1

- MATERIAL: NYLON 66(UL)
- FLAME CLASS: 94V-2
- COLOR: NATURAL
- ADHESIVE TAPE: 3M



WITH LOCK FEATURE

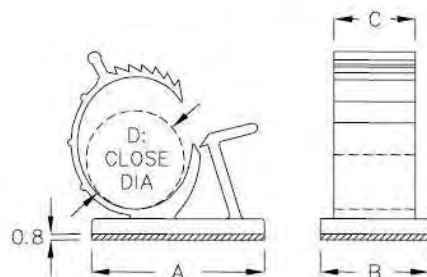
PART NO	A	B	C	D	PACKAGE
FDD-28	28.0	25.0	15.0	ø19.5~ø20.0	100



電線固定座 TIE MOUNT

6-37-2

- MATERIAL: NYLON 66(UL)
- FLAME CLASS: 94V-2
- COLOR: NATURAL
- ADHESIVE TAPE: 3M



WITH LOCK FEATURE

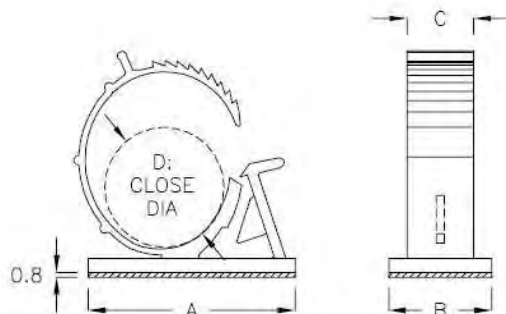
PART NO	A	B	C	D CLOSE DIA	PACKAGE
FW-33	30.0	16.0	12.0	ø10.5~ø14.5	200
FW-33A	25.5	16.0	12.0	ø10.5~ø14.5	
FW-39KP	36.0	19.0	12.7	ø18.5~ø22.5	100
FW-35	38.2	20.0	12.9	ø14.5~ø18.5	
FW-39	38.8	20.0	12.9	ø18.5~ø22.5	



電線固定座 TIE MOUNT

6-37-3

- MATERIAL: NYLON 66(UL)
- FLAME CLASS: 94V-2
- COLOR: NATURAL
- ADHESIVE TAPE: 3M



WITH LOCK FEATURE

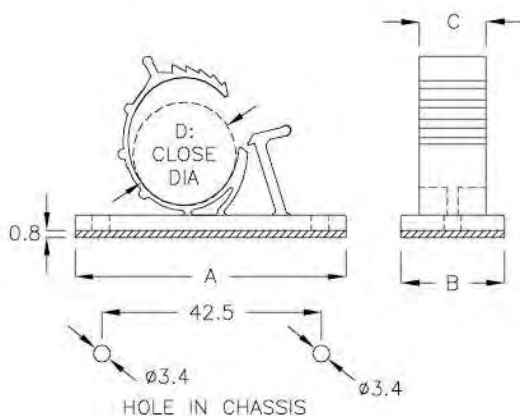
PART NO	A	B	C	D	PACKAGE
FW-35C	35.0	19.0	12.9	ø27.0~ø29.0	100
FW-40	40.0	20.0	12.9	ø22.5~ø26.5	



電線固定座 TIE MOUNT

6-37-4

- MATERIAL: NYLON 66(UL)
- FLAME CLASS: 94V-2
- COLOR: NATURAL
- ADHESIVE TAPE: 3M
- ALSO CAN BE FASTENED WITH M3 SCREW



WITH LOCK FEATURE

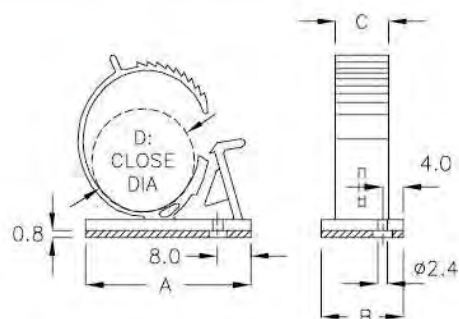
PART NO	A	B	C	D	PACKAGE
FWP-33	52.5	20.0	13.0	ø10.5~13.5	200
FWP-52	52.5	20.0	13.0	ø14.5~17.5	100



電線固定座 TIE MOUNT

- MATERIAL: NYLON 66(UL)
- FLAME CLASS: 94V-2
- COLOR: NATURAL
- ADHESIVE TAPE: 3M
- ALSO CAN BE FASTENED WITH M3 TAPPING SCREW

6-38-1



WITH LOCK FEATURE

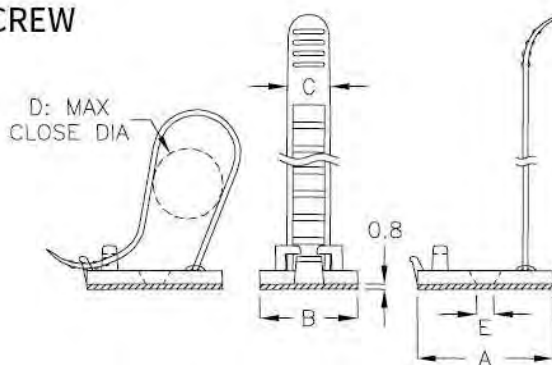
PART NO	A	B	C	D	PACKAGE
FWP-4D	39.9	19.9	12.9	$\phi 22.5 \sim \phi 26.5$	100



電線固定座 WIRE MOUNT

- MATERIAL: NYLON 66(UL)
- FLAME CLASS: 94V-2
- COLOR: NATURAL
- ADHESIVE TAPE: 3M
- ALSO CAN BE FASTENED WITH M3 COUNTERSUNK SCREW

6-38-2



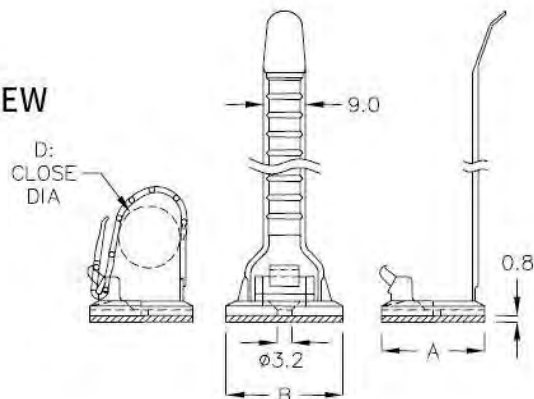
PART NO	A	B	C	D: MAX CLOSE DIA	E	PACKAGE
FWA-12	20.0	15.0	5.0	$\phi 12.0$	$\phi 3.4$	200
FWA-13	25.0	18.0	7.9	$\phi 13.0$	$\phi 3.5$	
FWA-17	25.0	18.0	7.9	$\phi 17.0$	$\phi 3.5$	
FWA-19	20.0	15.0	5.0	$\phi 19.5$	$\phi 3.4$	
FWA-21	25.0	18.0	8.1	$\phi 18.5$	$\phi 3.5$	
FWA-22	30.5	21.0	12.0	$\phi 22.0$	$\phi 3.5$	100
FWA-22C	31.8	21.0	12.0	$\phi 22.0$	$\phi 3.6$	
FWA-26	30.5	21.0	12.0	$\phi 26.0$	$\phi 3.5$	
FWA-32K	35.0	25.0	14.0	$\phi 32.5$	$\phi 3.2$	



電線固定座 WIRE MOUNT

- MATERIAL: NYLON 66(UL)
- FLAME CLASS: 94V-2
- COLOR: BLACK
- ADHESIVE TAPE: 3M
- ALSO CAN BE FASTENED WITH M3 COUNTERSUNK SCREW

6-38-3



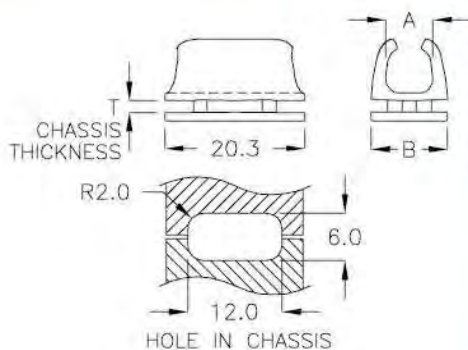
PART NO	A	B	D CLOSE DIA	PACKAGE
FWX-08	22.0	25.0	$\phi 8.0 \sim \phi 10.0$	200
FWX-10	22.0	25.0	$\phi 10.0 \sim \phi 12.0$	
FWX-15	22.0	25.0	$\phi 17.0 \sim \phi 18.0$	
FWX-15A	22.0	25.0	$\phi 18.5 \sim \phi 19.5$	



電線固定座 WIRE MOUNT

6-79-1

- MATERIAL: PE
- COLOR: BLACK



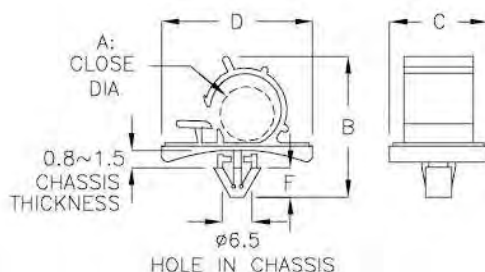
PART NO	A	B	T CHASSIS THICKNESS	PACKAGE
BAK-20A	6.7	11.0	1.6	500



電線固定座 WIRE MOUNT

6-79-2

- MATERIAL: NYLON 66(UL)
- FLAME CLASS: 94V-2
- COLOR: NATURAL



WITH LOCK FEATURE

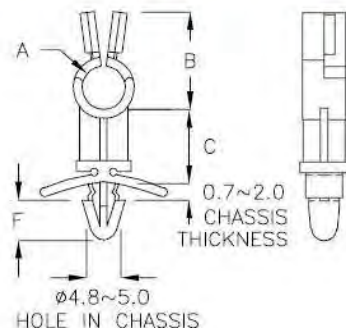
PART NO	A	B	C	D	F	PACKAGE
CC-3	φ9.5	23.9	17.0	26.0	5.0	200
CC-3PH	φ7.8	24.9	19.0	21.0	4.8	
CC-4	φ13.5	32.0	19.4	30.3	5.2	100
CC-04A	φ17.0	33.7	19.3	30.2	5.1	



隔離束線座 WIRE SADDLE

6-79-3

- MATERIAL: NYLON 66(UL)
- FLAME CLASS: 94V-2
- COLOR: NATURAL



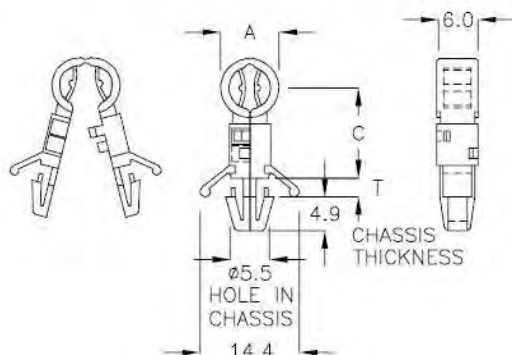
PART NO	A	B	C	F	PACKAGE
CS-6	φ6.2	14.0	6.35	5.8	500
CS-12	φ6.2	14.0	13.0	5.9	



光纖固定座 FIBER HOUSING

6-79-4

- MATERIAL: NYLON 66(UL)
- FLAME CLASS: 94V-2
- COLOR: NATURAL



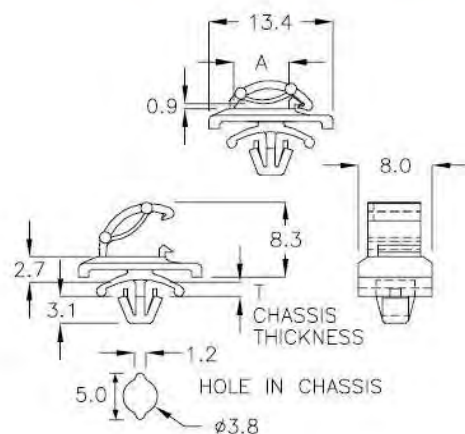
PART NO	A	C	T CHASSIS THICKNESS	PACKAGE
CCA-13	φ8.5	13.0	0.8~2.3	500



光纖固定座 FIBER HOUSING

6-80-1

- MATERIAL: NYLON 66(UL)
- FLAME CLASS: 94V-2
- COLOR: NATURAL



Built-In Anti-Spin Function WITH LOCK FEATURE

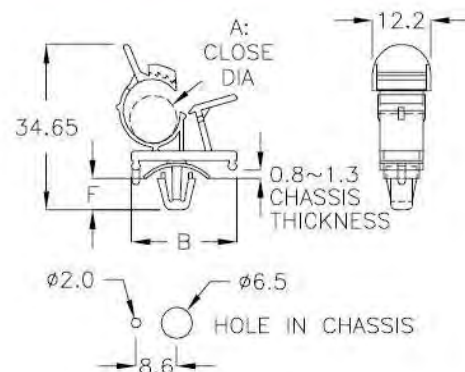
PART NO	A	T CHASSIS THICKNESS	PACKAGE
CHX-01	6.0	0.8~1.6	1000
CHX-1A	6.0	0.8~2.5	



電線固定座 WIRE MOUNT

6-80-2

- MATERIAL: NYLON 66(UL)
- FLAME CLASS: 94V-2
- COLOR: NATURAL



Built-In Anti-Spin Function WITH LOCK FEATURE

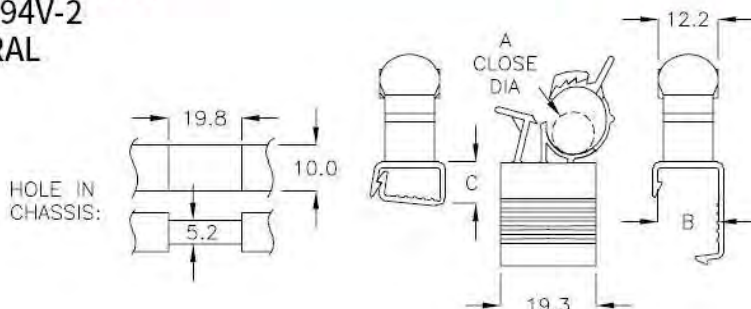
PART NO	A	F	B	PACKAGE
FWD-01	φ7.7~φ10.0	6.8	22.1	500
FWD-02	φ8.0~φ9.5	6.6	19.3	



電線固定座 WIRE MOUNT

6-80-3

- MATERIAL: NYLON 66(UL)
- FLAME CLASS: 94V-2
- COLOR: NATURAL



Built-In Anti-Spin Function WITH LOCK FEATURE

PART NO	A	B	C	PACKAGE
FWC-01	φ7.5~φ9.0	12.4	8.2	100



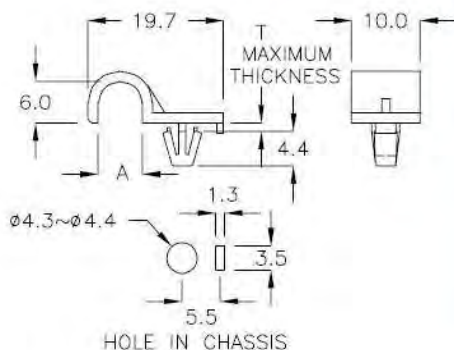
電線固定座 WIRE MOUNT

6-81-1

- MATERIAL: NYLON 66(UL)
- FLAME CLASS: 94V-2
- COLOR: NATURAL

Built-In Anti-Spin Function WITH LOCK FEATURE

PART NO	A	T MAXIMUM THICKNESS	PACKAGE
CU-06A	6.4	1.1	1000

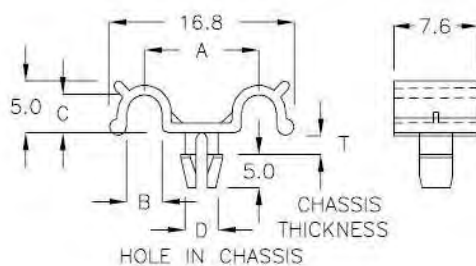


電線固定座 WIRE MOUNT

6-81-2

- MATERIAL: NYLON 66(UL)
- FLAME CLASS: 94V-2
- COLOR: NATURAL

PART NO	A	B	C	D HOLE IN CHASSIS	T CHASSIS THICKNESS	PACKAGE
CIC-01	10.4	3.2	3.4	$\phi 3.2$	1.6~1.8	1000



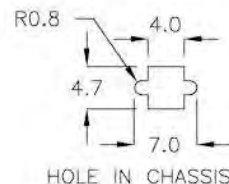
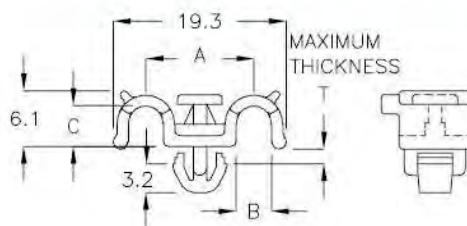
電線固定座 WIRE MOUNT

6-81-3

- MATERIAL: NYLON 66(UL)
- FLAME CLASS: 94V-2
- COLOR: NATURAL

Built-In Anti-Spin Function

PART NO	A	B	C	T MAXIMUM THICKNESS	PACKAGE
CIS-18K	12.0	3.95	4.5	1.5	1000

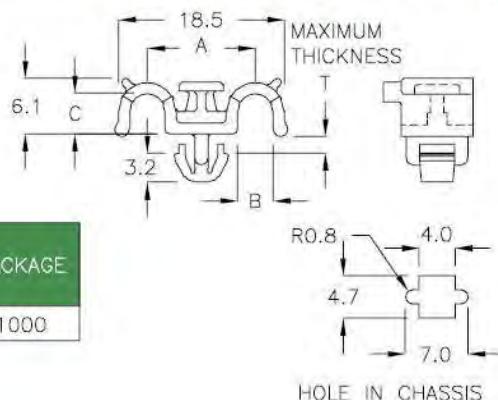




電線固定座 WIRE MOUNT

6-82-1

- MATERIAL: NYLON 66(UL)
- FLAME CLASS: 94V-2
- COLOR: NATURAL



Built-In Anti-Spin Function

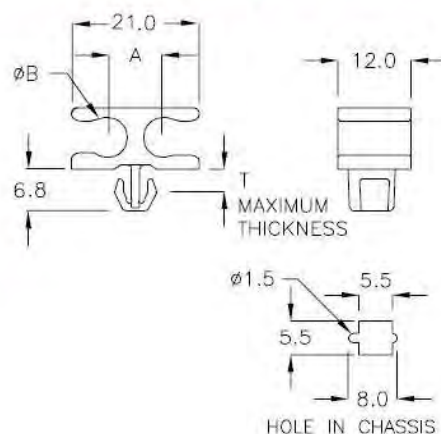
PART NO	A	B	C	T MAXIMUM THICKNESS	PACKAGE
CIS-18RS	12.0	3.95	4.5	1.6~2.0	1000



電線固定座 WIRE MOUNT

6-82-2

- MATERIAL: NYLON 66(UL)
- FLAME CLASS: 94V-2
- COLOR: NATURAL



Built-In Anti-Spin Function

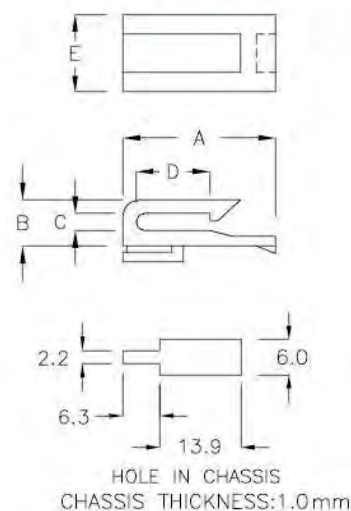
PART NO	A	B	T MAXIMUM THICKNESS	PACKAGE
CIK-21	8.7	ø6.5	2.5	500



電線固定座 WIRE MOUNT

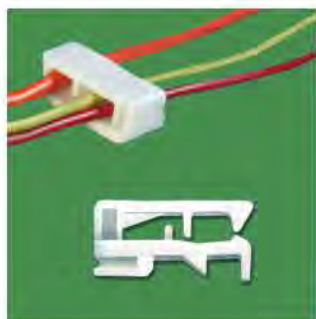
6-82-3

- MATERIAL: NYLON 66(UL)
- FLAME CLASS: 94V-2
- COLOR: NATURAL



Built-In Anti-Spin Function

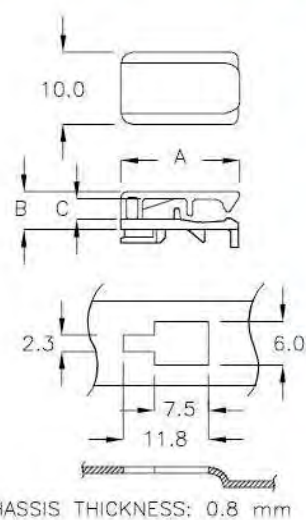
PART NO	A	B	C	D	E	PACKAGE
LFE-01	20.1	6.0	2.2	9.7	10.0	1000



電線固定座 WIRE MOUNT

6-83-1

- MATERIAL: NYLON 66(UL)
- FLAME CLASS: 94V-2
- COLOR: NATURAL



Built-In Anti-Spin Function

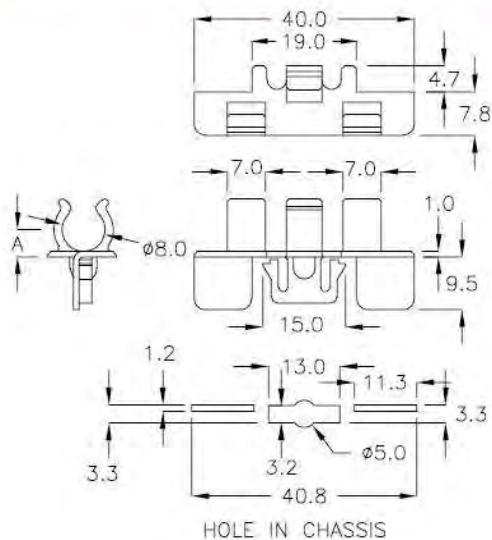
PART NO	A	B	C	PACKAGE
LFK-16A	16.5	5.3	2.85	1000



隔離束線座 WIRE SADDLE

6-83-2

- MATERIAL: NYLON 66(UL)
- FLAME CLASS: 94V-2
- COLOR: BLACK



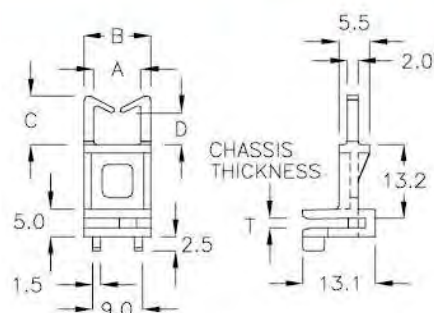
PART NO	A	B	PACKAGE
CHY-01	5.0	12.5	500



電線固定座 WIRE MOUNT

6-83-3

- MATERIAL: NYLON 66(UL)
- FLAME CLASS: 94V-2
- COLOR: NATURAL



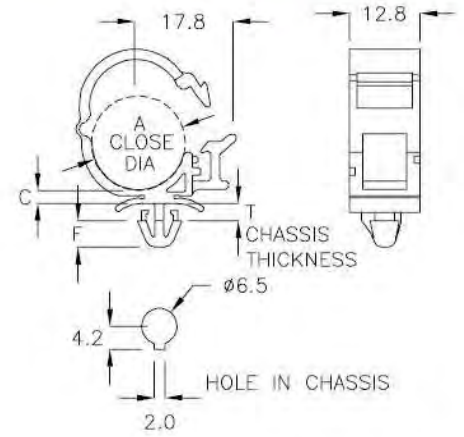
PART NO	A	B	C	D	T CHASSIS THICKNESS	PACKAGE
CNG-13	8.5	12.0	8.8	5.6	1.6	500



電線固定座 WIRE MOUNT

6-84-1

- MATERIAL: NYLON 66(UL)
- FLAME CLASS: 94V-2
- COLOR: BLACK



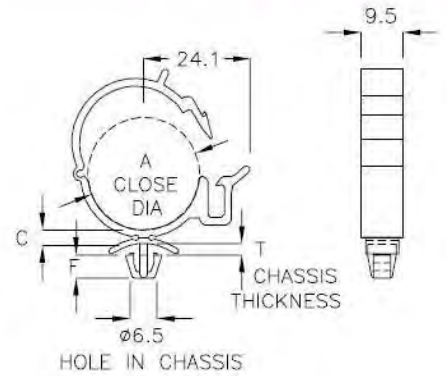
PART NO	A	C	T CHASSIS THICKNESS	F	PACKAGE
CCF-17RS	ø17.0	2.3	0.8	4.8	100



電線固定座 WIRE MOUNT

6-84-2

- MATERIAL: NYLON 66(UL)
- FLAME CLASS: 94V-2
- COLOR: NATURAL



WITH LOCK FEATURE

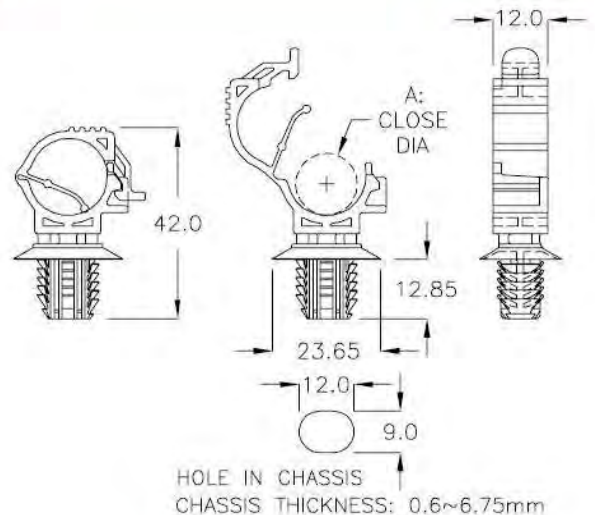
PART NO	A	C	T CHASSIS THICKNESS	F	PACKAGE
CKL-25	ø25.4	3.6	0.8~1.8	5.6	100
CKL-25A	ø25.4	3.6	2.5~3.0	5.7	



電線固定座 WIRE MOUNT

6-84-3

- MATERIAL: NYLON 66(UL)
- FLAME CLASS: 94V-2
- COLOR: BLACK



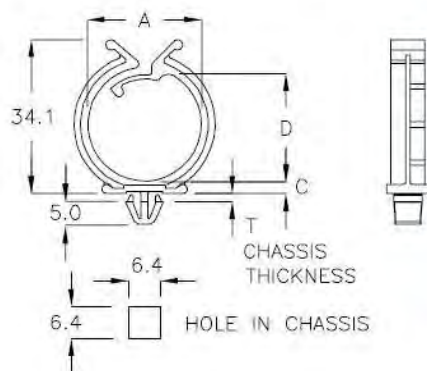
PART NO	A	PACKAGE
CKIM-16HQ	ø10.0	100



隔離束線座 WIRE SADDLE

6-85-1

- MATERIAL: NYLON 66(UL)
- FLAME CLASS: 94V-2
- COLOR: NATURAL



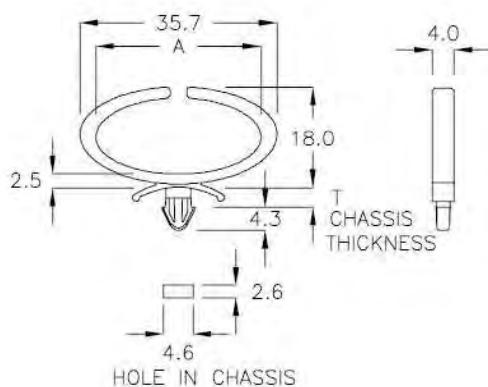
PART NO	A	C	D	T CHASSIS THICKNESS	PACKAGE
TDH-25	25.5	2.55	24.0	0.6~1.2	200



隔離束線座 WIRE SADDLE

6-85-2

- MATERIAL: NYLON 66(UL)
- FLAME CLASS: 94V-2
- COLOR: BLACK



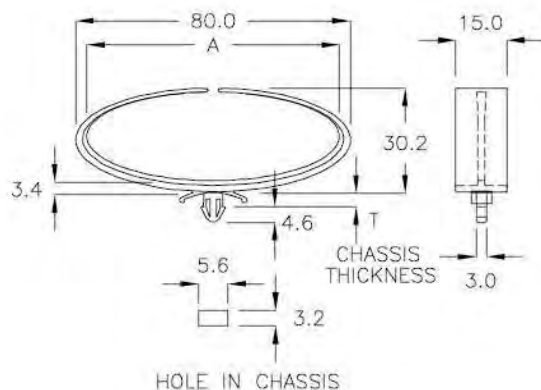
PART NO	A	T CHASSIS THICKNESS	PACKAGE
CHP-2A	29.9	1.2~2.8	500



隔離束線座 WIRE SADDLE

6-85-3

- MATERIAL: NYLON 66(UL)
- FLAME CLASS: 94V-2
- COLOR: BLACK



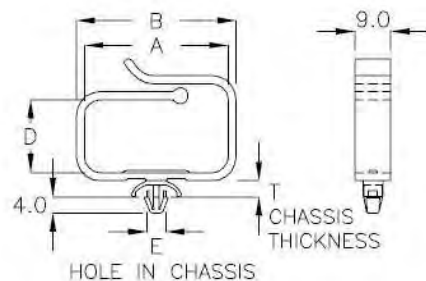
PART NO	A	T CHASSIS THICKNESS	PACKAGE
CHP-8A	73.5	2.5~3.0	100



隔離束線座 WIRE SADDLE

6-86-1

- MATERIAL: NYLON 66(UL)
- FLAME CLASS: 94V-2
- COLOR: BLACK



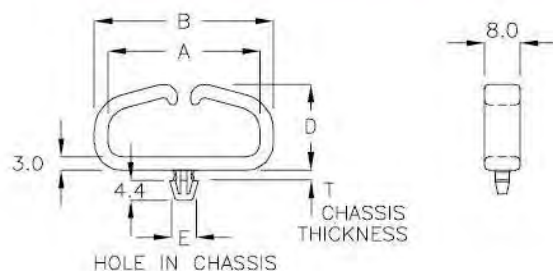
PART NO	A	B	D	E HOLE IN CHASSIS	T CHASSIS THICKNESS	PACKAGE
CND-40	36.0	40.0	18.1	∅4.8	1.3~2.8	200



隔離束線座 WIRE SADDLE

6-86-2

- MATERIAL: NYLON 66(UL)
- FLAME CLASS: 94V-2
- COLOR: NATURAL



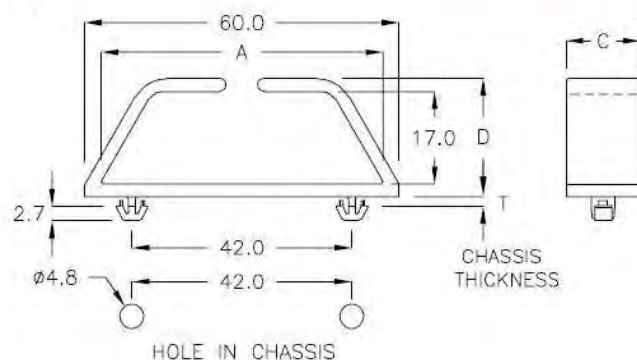
PART NO	A	B	D	E HOLE IN CHASSIS	T CHASSIS THICKNESS	PACKAGE
CKQ-40	33.8	39.8	18.5	∅4.9~∅5.0	1.8~2.0	500
CKQ-44	41.6	48.8	23.4	∅4.9~∅5.0	1.8~2.0	200
CKQ-55	49.0	55.0	18.3	∅4.9~∅5.0	1.8~2.0	



隔離束線座 WIRE SADDLE

6-86-3

- MATERIAL: NYLON 66(UL)
- FLAME CLASS: 94V-2
- COLOR: BLACK



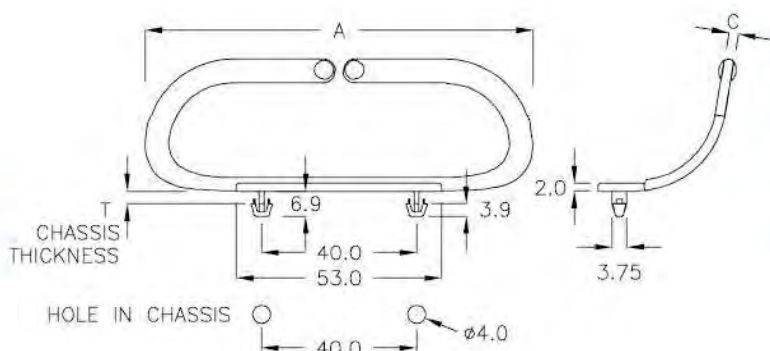
PART NO	A	C	D	T CHASSIS THICKNESS	PACKAGE
CKQ-60	53.8	14.0	22.0	1.5	200



隔離束線座 WIRE SADDLE | 6-87-1 |

- MATERIAL: PP
- COLOR: NATURAL

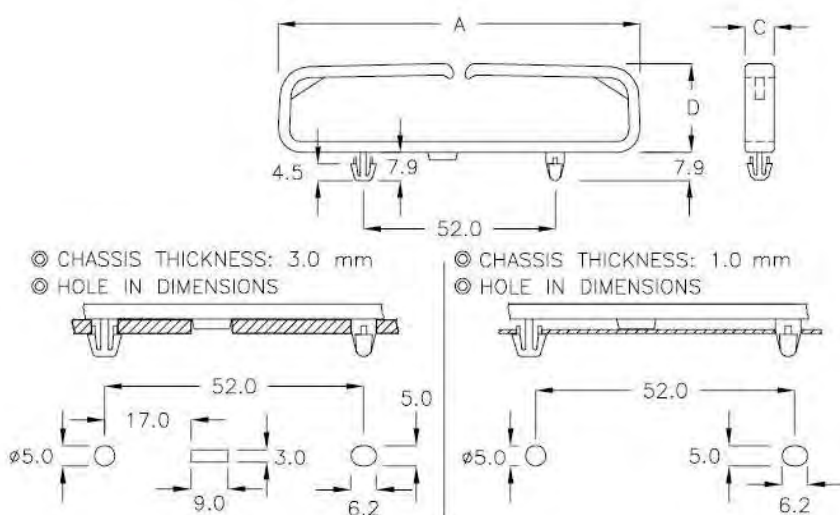
PART NO	A	C	T CHASSIS THICKNESS	PACKAGE
CKF-40	100.0	2.5	3.0	100



隔離束線座 WIRE SADDLE | 6-87-2 |

- MATERIAL: NYLON 66(UL)
- FLAME CLASS: 94V-2
- COLOR: NATURAL

PART NO	A	C	D	PACKAGE
CKQ-98	98.0	8.0	24.0	100





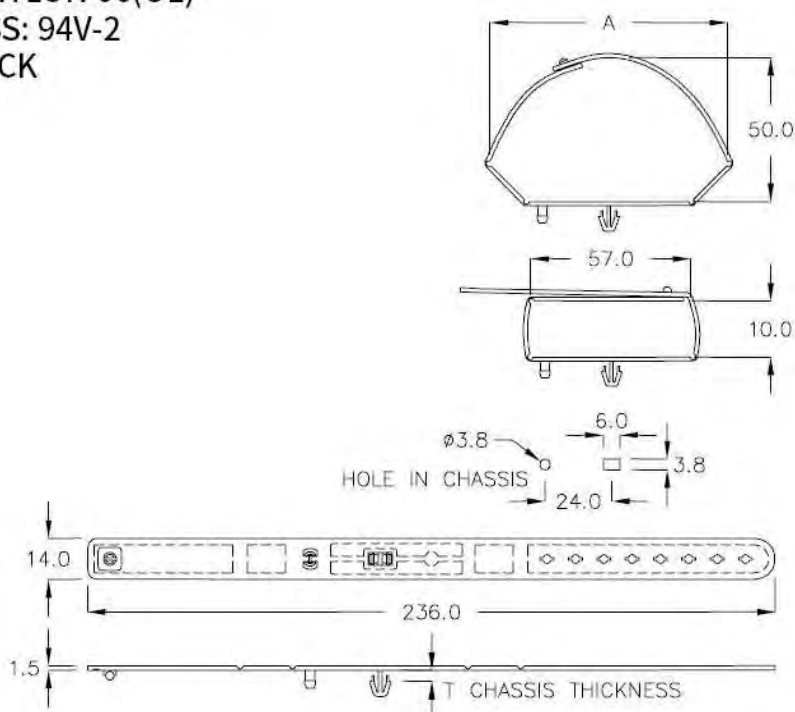
隔離束線座 WIRE SADDLE

6-88-1

- MATERIAL: NYLON 66(UL)
- FLAME CLASS: 94V-2
- COLOR: BLACK

WITH LOCK FEATURE

PART NO	A	T CHASSIS THICKNESS	PACKAGE
BSR-235	80.0	3.2	200



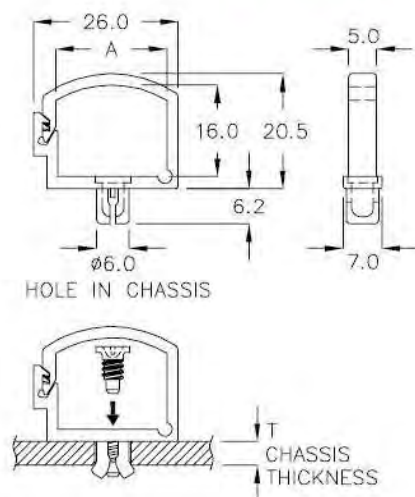
隔離束線座 WIRE SADDLE

6-88-2

- MATERIAL: NYLON 66(UL)
- FLAME CLASS: 94V-2
- COLOR: NATURAL

WITH LOCK FEATURE

PART NO	A	T CHASSIS THICKNESS	PACKAGE
CKP-16	20.0	1.6~2.6	500



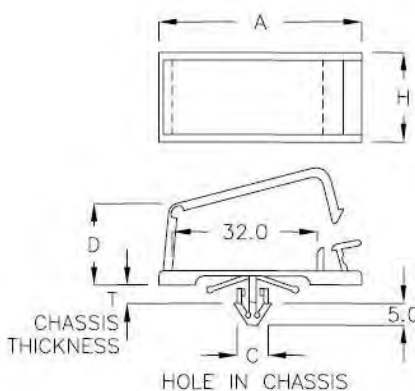
電線固定座 WIRE MOUNT

6-88-3

- MATERIAL: NYLON 66(UL)
- FLAME CLASS: 94V-2
- COLOR: NATURAL

WITH LOCK FEATURE

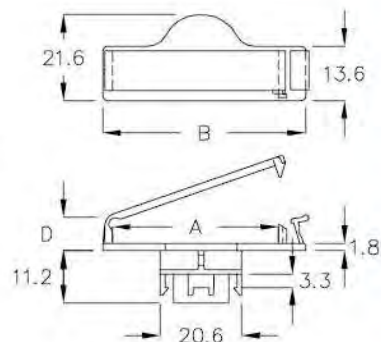
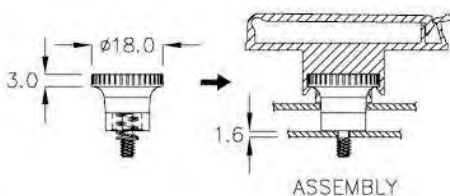
PART NO	A	C HOLE IN CHASSIS	D	H	T CHASSIS THICKNESS	PACKAGE
FWH-01	44.8	ø6.4	17.5	18.8	1.8~3.2	200
FWH-02	44.45	ø6.3	12.3	19.0	0.5~1.8	





電線固定板 CABLE CLAMP ————— | 6-89-1 |

- MATERIAL: NYLON 66(UL)
- FLAME CLASS: 94V-0
- COLOR: BLACK



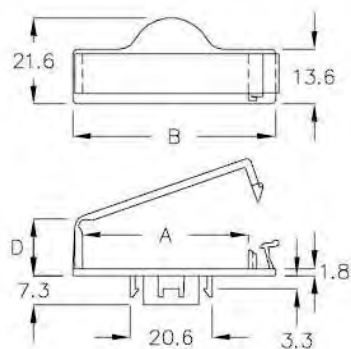
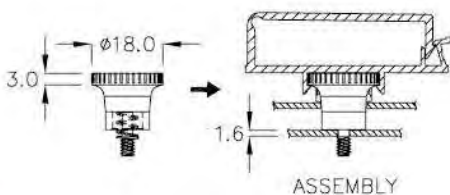
WITH LOCK FEATURE

PART NO	A	B	D	PACKAGE
FWTA-42A	42.0	51.2	8.4	100



電線固定板 CABLE CLAMP ————— | 6-89-2 |

- MATERIAL: NYLON 66(UL)
- FLAME CLASS: 94V-0
- COLOR: BLACK



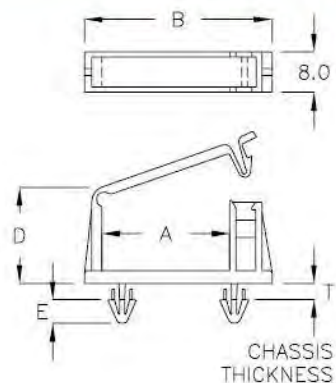
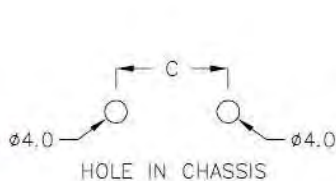
WITH LOCK FEATURE

PART NO	A	B	D	PACKAGE
FWTA-42C	42.0	51.2	14.3	100



電線固定座 WIRE MOUNT ————— | 6-89-3 |

- MATERIAL: NYLON 66(UL)
- FLAME CLASS: 94V-2
- COLOR: NATURAL



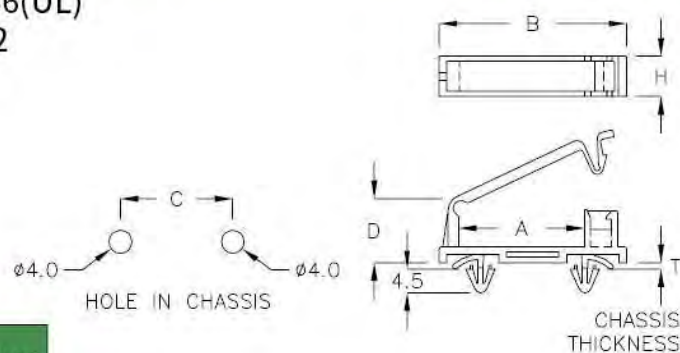
WITH LOCK FEATURE

PART NO	A	B	C	D	E	T CHASSIS THICKNESS	PACKAGE
CKK-3C	16.6	28.0	16.0	17.7	4.7	1.0	500
CKK-3A	16.6	28.0	16.0	18.8	4.9	3.0	
CKK-03	19.1	31.0	16.0	18.6	4.9	3.0	
CKK-04	24.1	34.3	20.0	17.9	4.8	3.0	
CKK-05	24.1	36.0	20.0	12.2	4.8	3.0	



電線固定座 WIRE MOUNT 6-90-1

- MATERIAL: NYLON 66(UL)
- FLAME CLASS: 94V-2
- COLOR: NATURAL



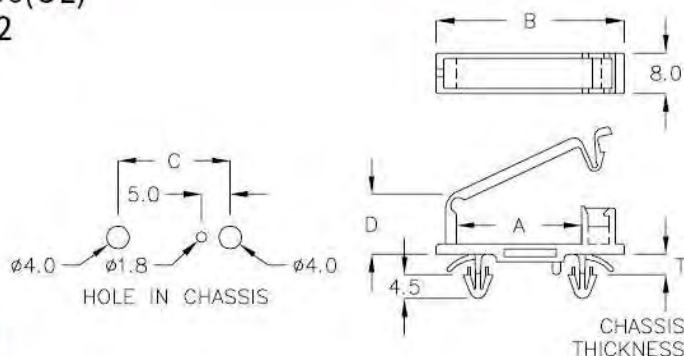
WITH LOCK FEATURE

PART NO	A	B	C	D	H	T CHASSIS THICKNESS	PACKAGE
CKK-3F	16.6	27.0	16.0	17.3	15.0	0.8~1.0	200
CKK-05A	24.1	36.0	20.0	12.4	8.0	0.8~1.0	500
CKK-05D	28.1	40.0	20.0	13.3	8.0	0.8~1.0	



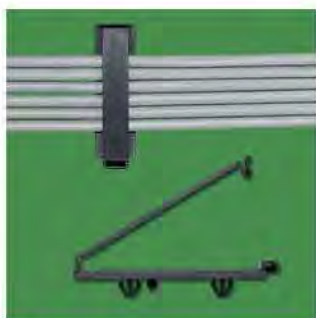
電線固定座 WIRE MOUNT 6-90-2

- MATERIAL: NYLON 66(UL)
- FLAME CLASS: 94V-2
- COLOR: NATURAL



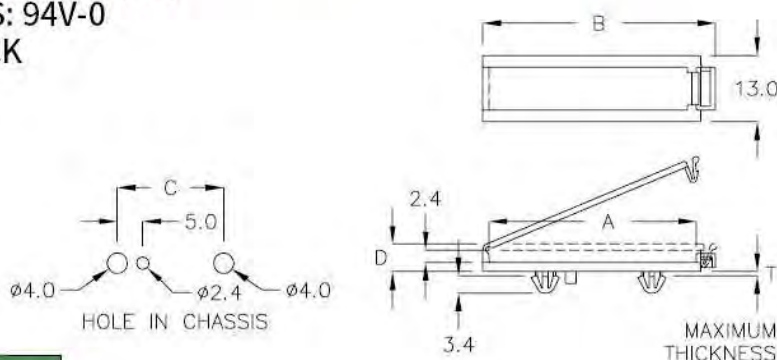
WITH LOCK FEATURE

PART NO	A	B	C	D	T CHASSIS THICKNESS	PACKAGE
CKK-05C	24.1	36.0	20.0	12.4	0.8~2.0	500



電線固定座 WIRE MOUNT 6-90-3

- MATERIAL: NYLON 66(UL)
- FLAME CLASS: 94V-0
- COLOR: BLACK



WITH LOCK FEATURE

PART NO	A	B	C	D	T MAXIMUM THICKNESS	PACKAGE
FAB-41K	41.0	45.9	21.0	5.4	0.5	200

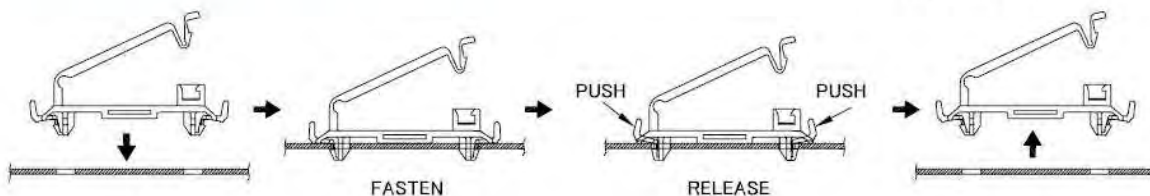
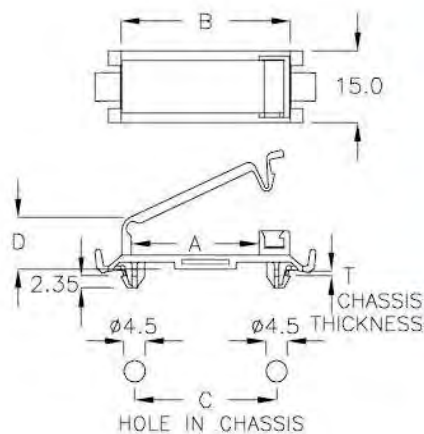


電線固定座 WIRE MOUNT | 6-91-1 |

- MATERIAL: NYLON 66(UL)
 - FLAME CLASS: 94V-2
 - COLOR: NATURAL
- 可由板上拆卸

WITH LOCK FEATURE

PART NO	A	B	C	D	T CHASSIS THICKNESS	PACKAGE
CXR-27A	27.0	36.0	30.0	10.9	0.8	200

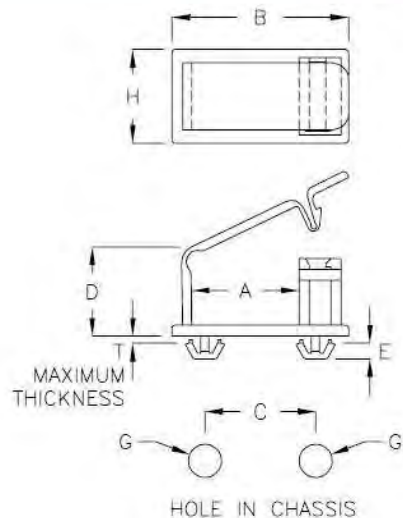


電線固定座 WIRE MOUNT | 6-91-2 |

- MATERIAL: NYLON 66(UL)
- FLAME CLASS: 94V-2
- COLOR: NATURAL

WITH LOCK FEATURE

PART NO	A	B	C	D	E	G	H	T MAXIMUM THICKNESS	PACKAGE
CKK-06	19.4	31.9	20.0	15.2	2.85	∅6.0	16.8	1.0	500
CKK-5K	24.1	36.0	20.0	8.9	3.0	∅4.0	8.0	1.0	
★ CKK-24AF	24.1	34.3	20.0	17.9	2.8	∅4.0	8.0	0.8	





電線固定座 WIRE MOUNT

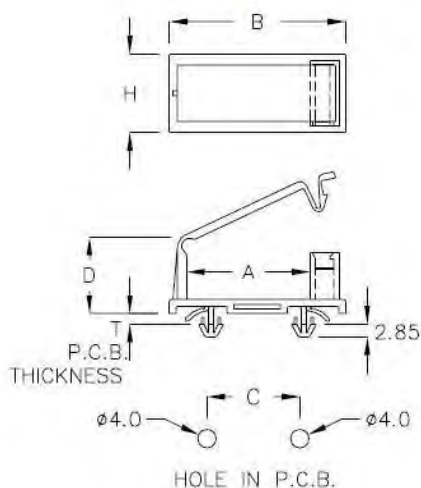
6-92-1

- MATERIAL: NYLON 66(UL)
- FLAME CLASS: 94V-0
- COLOR: BLACK

NEW

WITH LOCK FEATURE

PART NO	A	B	C	D	H	T P.C.B. THICKNESS	PACKAGE
★ CKK-26F	26.5	38.0	20.0	16.5	16.8	0.8~2.0	200



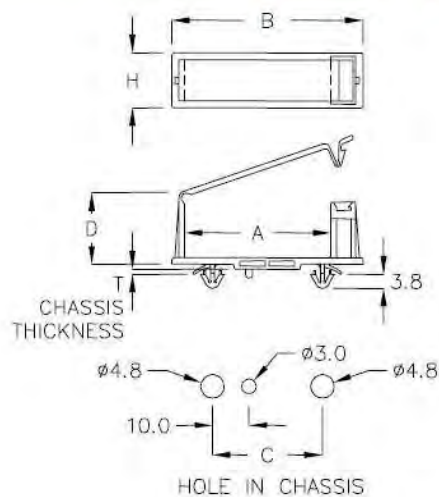
電線固定座 WIRE MOUNT

6-92-2

- MATERIAL: NYLON 66(UL)
- FLAME CLASS: 94V-2
- COLOR: NATURAL, BLACK

WITH LOCK FEATURE

PART NO	A	B	C	D	H	T CHASSIS THICKNESS	PACKAGE
CYA-40	40.0	52.3	30.0	10.3	15.0	0.8~1.0	100
CYA-40KM	40.0	52.3	33.0	23.4	15.0	0.8~1.0	
CYA-40PS	40.0	52.3	33.0	23.4	15.0	1.2~1.4	
CYA-45	45.0	57.3	30.0	13.8	17.0	0.8~1.0	
CYA-45AM	45.0	57.3	33.0	33.6	17.0	0.8~1.0	



電線固定座 WIRE MOUNT

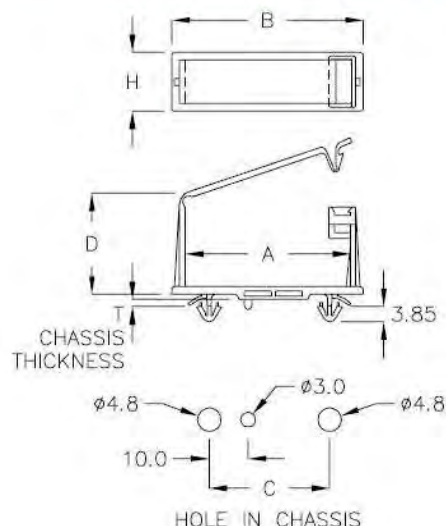
6-92-3

- MATERIAL: NYLON 66(UL)
- FLAME CLASS: 94V-0
- COLOR: BLACK

NEW

WITH LOCK FEATURE

PART NO	A	B	C	D	H	T CHASSIS THICKNESS	PACKAGE
★ CYAA-43	42.6	49.3	31.0	35.0	15.0	1.2~1.4	100

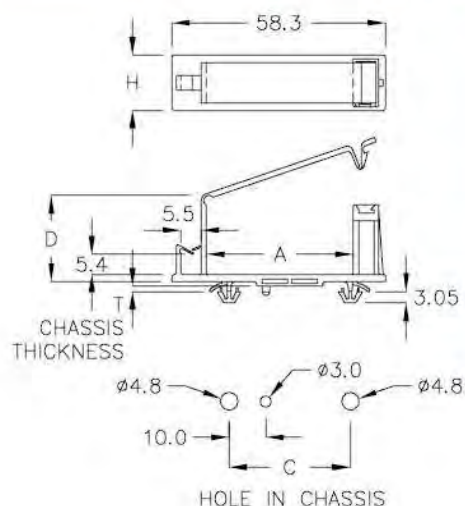




電線固定座 WIRE MOUNT

6-93-1

- MATERIAL: NYLON 66(UL)
- FLAME CLASS: 94V-2
- COLOR: BLACK



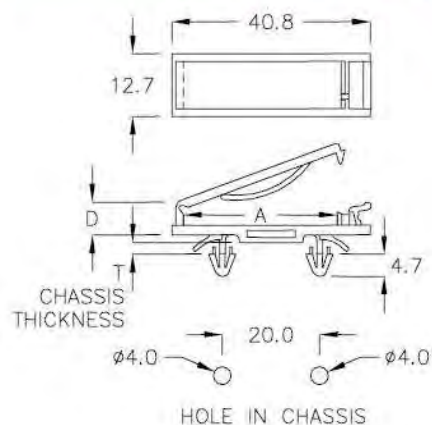
PART NO	A	C	D	H	T CHASSIS THICKNESS	PACKAGE
CYG-40RT	40.0	33.0	23.2	15.0	0.8~1.0	100



排線固定板 FLAT CABLE CLAMP

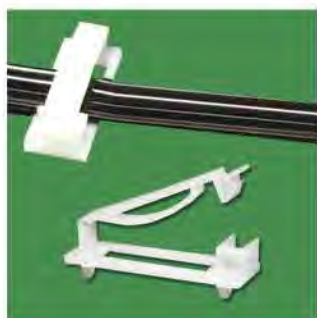
6-93-2

- MATERIAL: NYLON 66(UL)
- FLAME CLASS: 94V-2
- COLOR: NATURAL



WITH LOCK FEATURE

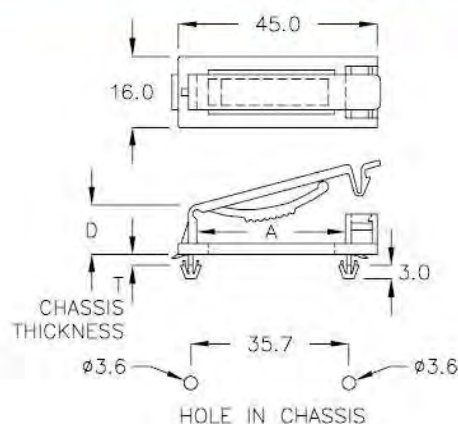
PART NO	A	D	T CHASSIS THICKNESS	PACKAGE
FCC-20	31.3	7.1	0.8~2.0	500



電線固定座 WIRE MOUNT

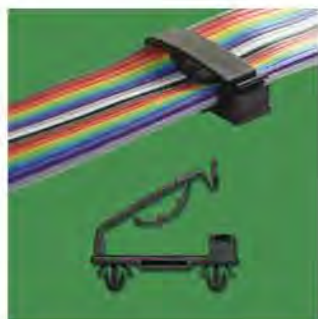
6-93-3

- MATERIAL: NYLON 66(UL)
- FLAME CLASS: 94V-2
- COLOR: NATURAL



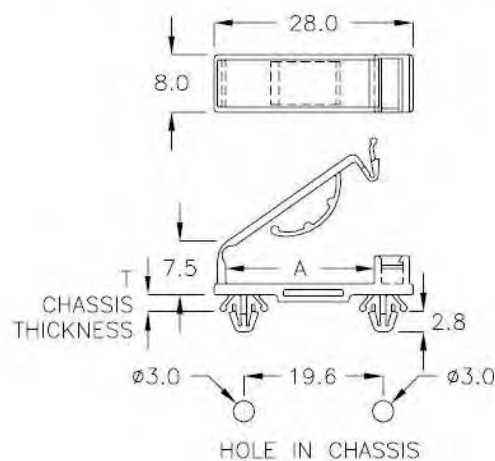
WITH LOCK FEATURE

PART NO	A	D	T CHASSIS THICKNESS	PACKAGE
FCS-20	33.6	10.7	1.4~1.6	200



排線固定板 FLAT CABLE CLAMP 6-94-1

- MATERIAL: NYLON 66(UL)
- FLAME CLASS: 94V-2
- COLOR: BLACK



WITH LOCK FEATURE

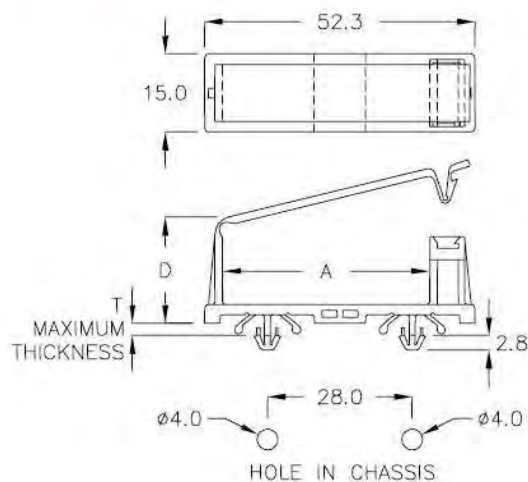
PART NO	A	T CHASSIS THICKNESS	PACKAGE
FCSD-21A	21.0	0.8~1.2	200



電線固定座 WIRE MOUNT 6-94-2

- MATERIAL: NYLON 66(UL)
- FLAME CLASS: 94V-0
- COLOR: BLACK

NEW



WITH LOCK FEATURE

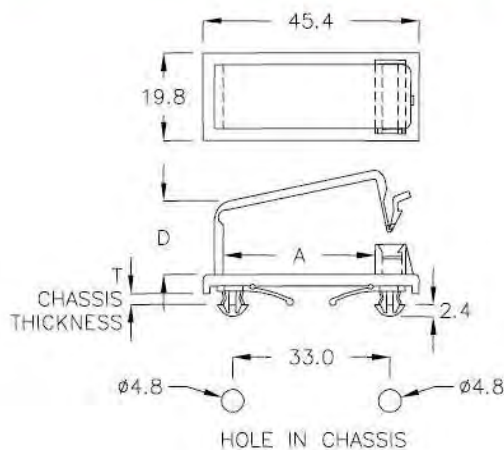
PART NO	A	D	T MAXIMUM THICKNESS	PACKAGE
★ FAA-40C	40.0	26.0	2.0	100



電線固定座 WIRE MOUNT 6-94-3

- MATERIAL: NYLON 66(UL)
- FLAME CLASS: 94V-0
- COLOR: NATURAL

NEW



WITH LOCK FEATURE

PART NO	A	D	T CHASSIS THICKNESS	PACKAGE
★ FAA-31K	31.8	15.0	0.8~2.0	100



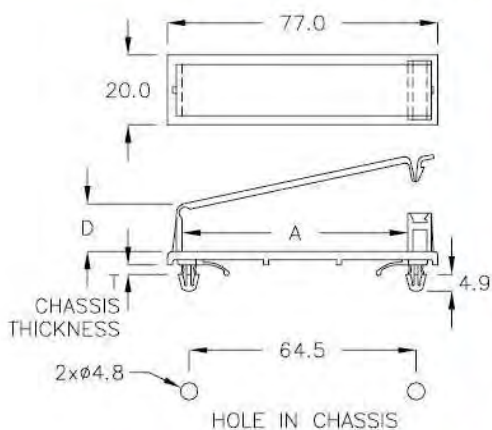
電線固定座 WIRE MOUNT

6-95-1

- MATERIAL: NYLON 66(UL)
- FLAME CLASS: 94V-2
- COLOR: NATURAL

WITH LOCK FEATURE

PART NO	A	D	T CHASSIS THICKNESS	PACKAGE
FAA-50	64.0	9.0	1.8~2.3	100
FAA-51	64.0	15.4	1.8~2.3	



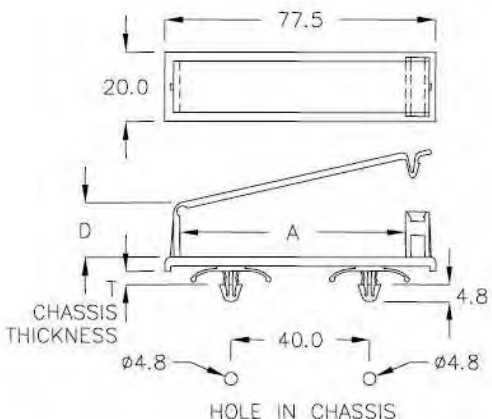
電線固定座 WIRE MOUNT

6-95-2

- MATERIAL: NYLON 66(UL)
- FLAME CLASS: 94V-2
- COLOR: NATURAL

WITH LOCK FEATURE

PART NO	A	D	T CHASSIS THICKNESS	PACKAGE
FAA-51A	65.1	15.4	2.0~3.4	100



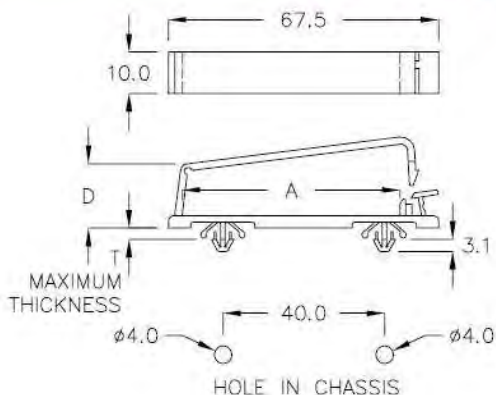
電線固定座 WIRE MOUNT

6-95-3

- MATERIAL: NYLON 66(UL)
- FLAME CLASS: 94V-2
- COLOR: NATURAL

WITH LOCK FEATURE

PART NO	A	D	T MAXIMUM THICKNESS	PACKAGE
FCC-40A	54.0	16.0	2.0	100



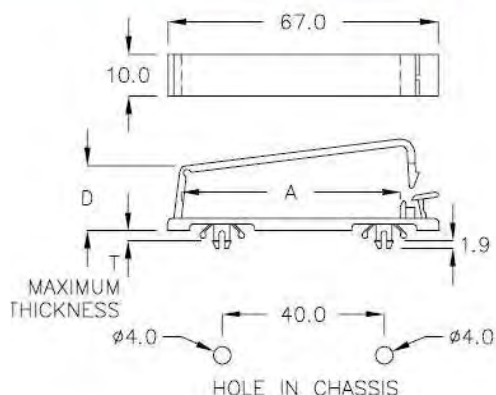
電線固定座 WIRE MOUNT

6-95-4

- MATERIAL: NYLON 66(UL)
- FLAME CLASS: 94V-2
- COLOR: NATURAL

WITH LOCK FEATURE

PART NO	A	D	T MAXIMUM THICKNESS	PACKAGE
FCC-40D	54.0	16.0	2.0	100





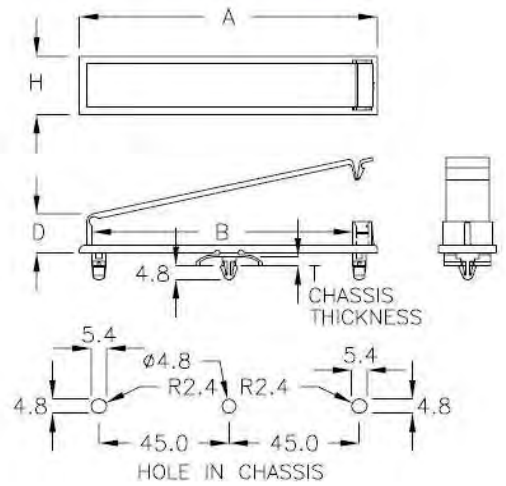
電線固定座 WIRE MOUNT

6-96-1

- MATERIAL: NYLON 66(UL)
- FLAME CLASS: 94V-2
- COLOR: NATURAL

WITH LOCK FEATURE

PART NO	A	B	D	H	T CHASSIS THICKNESS	PACKAGE
CXK-90A	103.0	90.0	13.6	20.0	2.0~2.3	100



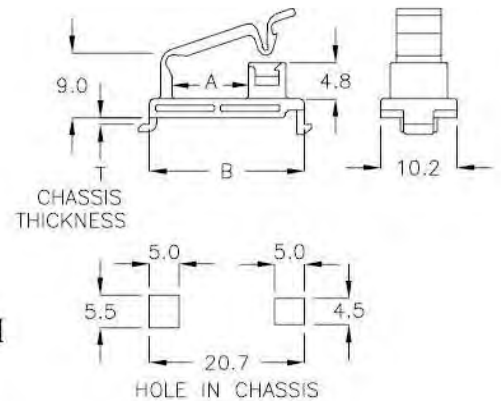
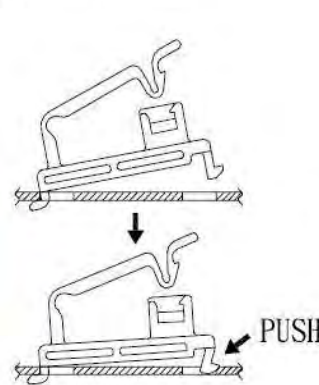
電線固定座 WIRE MOUNT

6-96-2

- MATERIAL: NYLON 66(UL)
- FLAME CLASS: 94V-2
- COLOR: NATURAL

WITH LOCK FEATURE

PART NO	A	B	T CHASSIS THICKNESS	PACKAGE
FCZ-10C	10.2	20.7	0.8	200



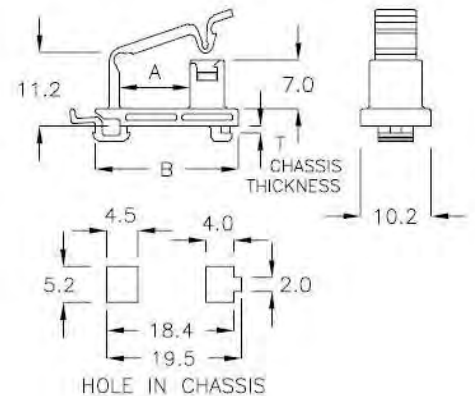
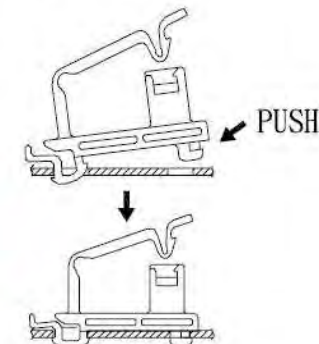
電線固定座 WIRE MOUNT

6-96-3

- MATERIAL: NYLON 66(UL)
- FLAME CLASS: 94V-2
- COLOR: BLACK

WITH LOCK FEATURE

PART NO	A	B	T CHASSIS THICKNESS	PACKAGE
FCX-10A	10.2	20.7	0.8	200



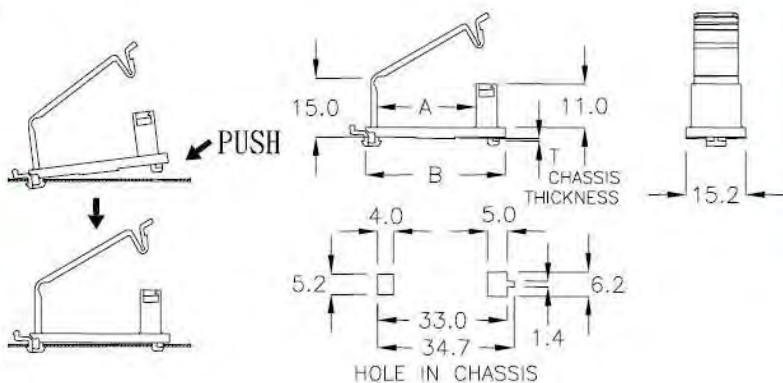


電線固定座 WIRE MOUNT

6-97-1

- MATERIAL: NYLON 66(UL)
- FLAME CLASS: 94V-2
- COLOR: BLACK

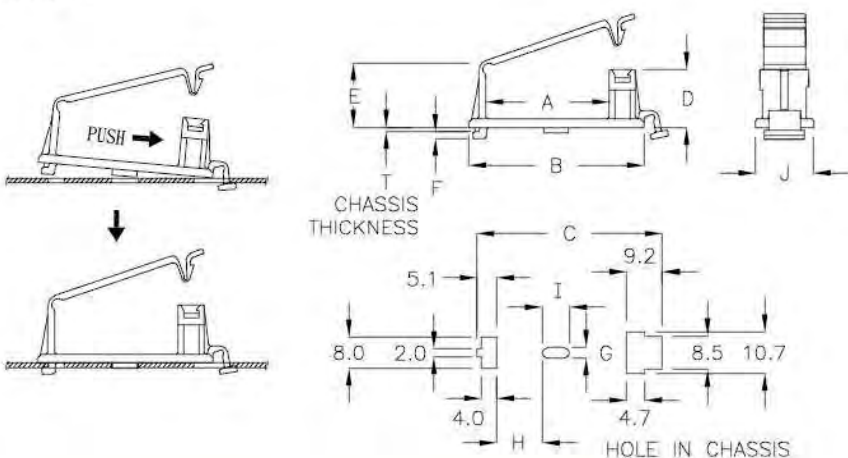
PART NO	A	B	T CHASSIS THICKNESS	PACKAGE
FCX-25GL	25.25	35.65	0.6	200



電線固定座 WIRE MOUNT

6-97-2

- MATERIAL: NYLON 66(UL)
- FLAME CLASS: 94V-2
- COLOR: BLACK



WITH LOCK FEATURE

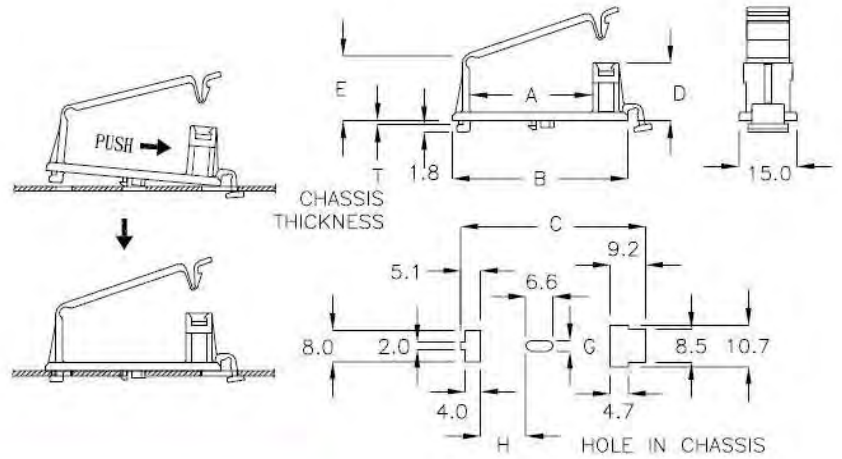
PART NO	A	B	C	D	E	F	G	H	I	J	T CHASSIS THICKNESS	PACKAGE
FCQ-19A	19.4	31.9	33.35	14.0	16.0	1.8	2.3	6.75	6.65	16.8	0.7~0.8	200
FCQ-27	27.0	40.5	43.3	14.75	17.0	1.8	2.3	11.7	6.65	15.0	0.7~0.8	
FCQ-31HS	31.3	44.8	47.8	14.75	17.0	1.0	2.6	12.8	6.65	15.0	0.7~0.8	
FCQ-31GR	31.6	45.0	47.8	14.75	16.6	1.0	2.6	12.8	6.6	15.0	1.2	



電線固定座 WIRE MOUNT

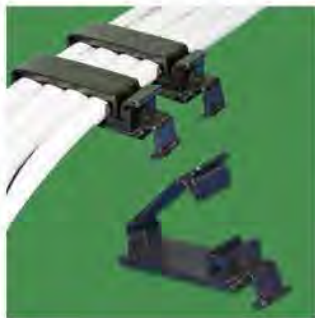
6-98-1

- MATERIAL: NYLON 66(UL)
- FLAME CLASS: 94V-2
- COLOR: BLACK



WITH LOCK FEATURE

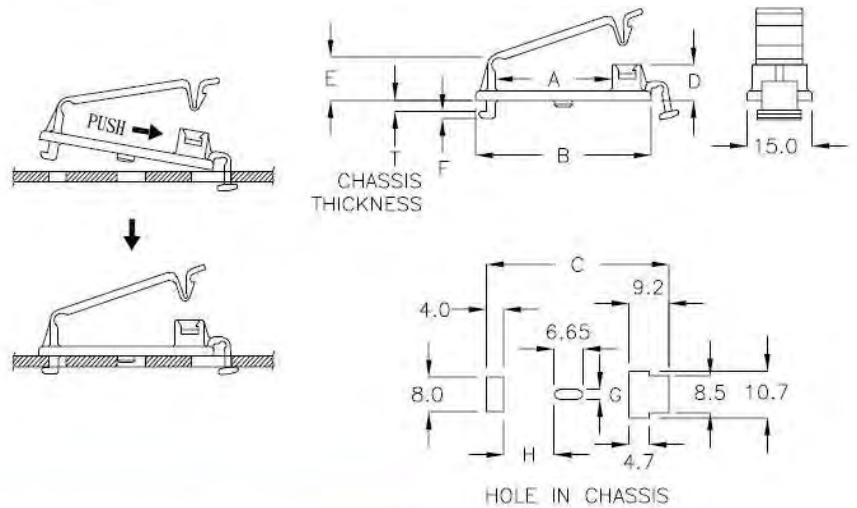
PART NO	A	B	C	D	E	G	H	T CHASSIS THICKNESS	PACKAGE
FCQ-31K	31.3	44.8	47.8	14.75	17.0	2.6	12.8	0.8	200



電線固定座 WIRE MOUNT

6-98-2

- MATERIAL: NYLON 66(UL)
- FLAME CLASS: 94V-2
- COLOR: BLACK



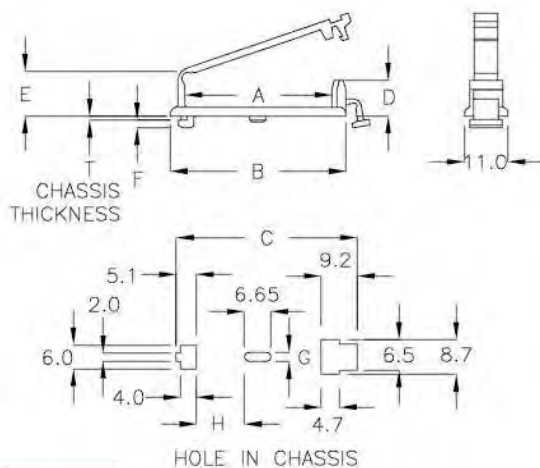
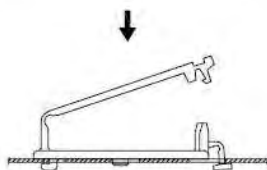
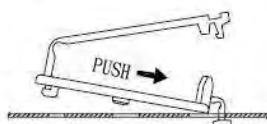
PART NO	A	B	C	D	E	F	G	H	T CHASSIS THICKNESS	PACKAGE
FCQ-27LR	27.0	40.5	42.2	8.2	10.0	1.5	2.3	11.7	2.4	200



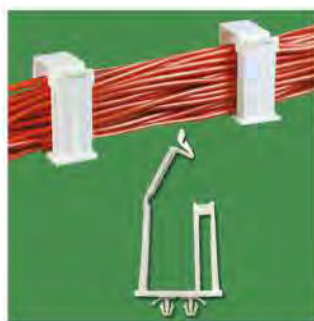
電線固定座 WIRE MOUNT

6-99-1

- MATERIAL: NYLON 66(UL)
- FLAME CLASS: 94V-2
- COLOR: BLACK



PART NO	A	B	C	D	E	F	G	H	T CHASSIS THICKNESS	PACKAGE
FCQ-35JK	37.1	44.3	45.75	9.05	11.4	1.8	2.3	12.1	0.8	100



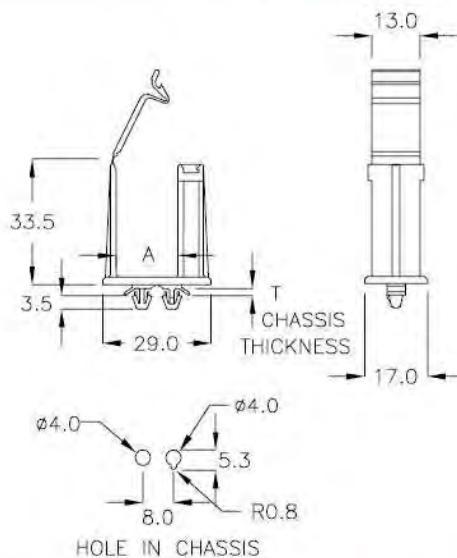
電線固定座 WIRE MOUNT

6-99-2

- MATERIAL: NYLON 66(UL)
- FLAME CLASS: 94V-2
- COLOR: NATURAL

WITH LOCK FEATURE

PART NO	A	T CHASSIS THICKNESS	PACKAGE
CYB-16A	16.7	0.8~1.2	100



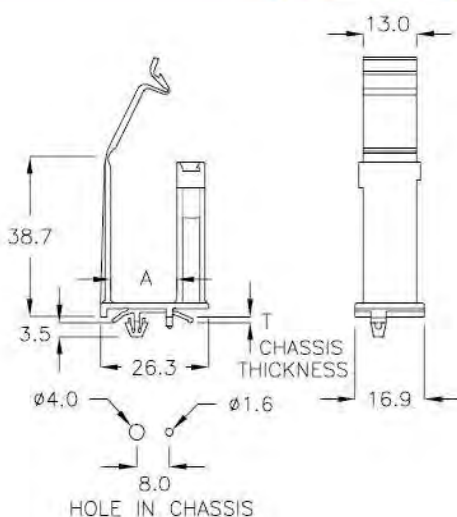
電線固定座 WIRE MOUNT

6-99-3

- MATERIAL: NYLON 66(UL)
- FLAME CLASS: 94V-2
- COLOR: NATURAL, BLACK

WITH LOCK FEATURE

PART NO	A	T CHASSIS THICKNESS	PACKAGE
CYC-16F	16.0	0.8~1.0	100





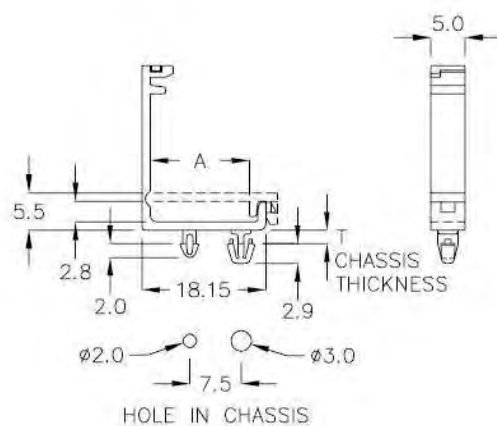
電線固定座 WIRE MOUNT

6-100-1

- MATERIAL: NYLON 66(UL)
- FLAME CLASS: 94V-2
- COLOR: NATURAL, BLACK

WITH LOCK FEATURE

PART NO	A	T CHASSIS THICKNESS	PACKAGE
CYQ-15A	14.5	1.5	500



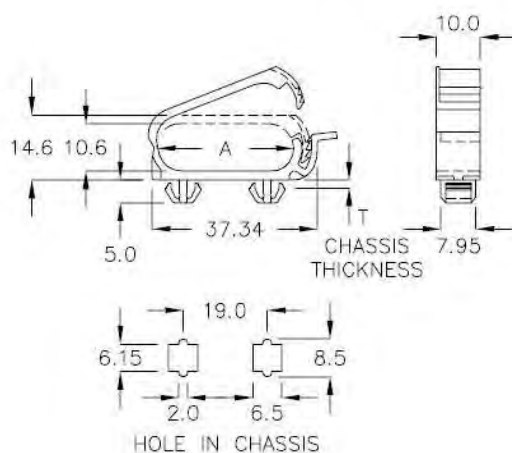
電線固定座 WIRE MOUNT

6-100-2

- MATERIAL: NYLON 66(UL)
- FLAME CLASS: 94V-2
- COLOR: BLACK

WITH LOCK FEATURE

PART NO	A	T CHASSIS THICKNESS	PACKAGE
FQCM-37A	30.3	0.8~1.2	500

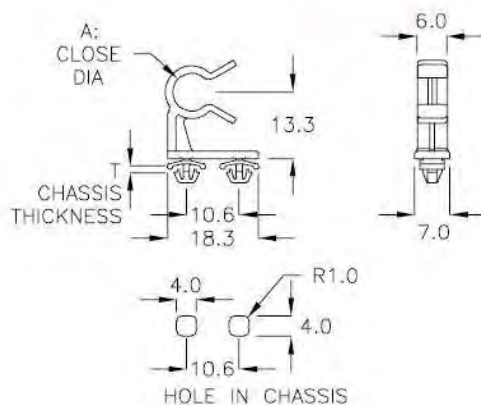


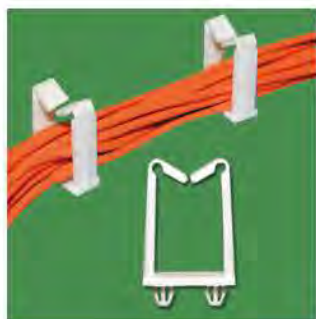
隔離束線座 WIRE SADDLE

6-100-3

- MATERIAL: NYLON 66(UL)
- FLAME CLASS: 94V-2
- COLOR: BLACK

PART NO	A CLOSE DIA	T CHASSIS THICKNESS	PACKAGE
CMW-08	ø7.7	0.8	500

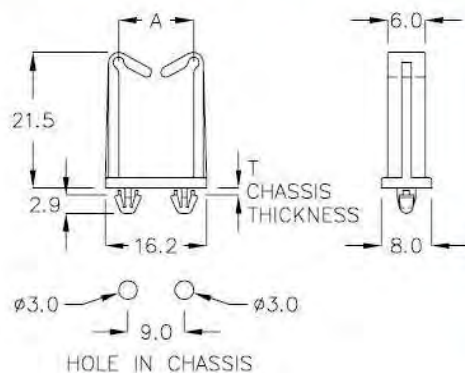




電線固定座 WIRE MOUNT

- MATERIAL: NYLON 66(UL)
- FLAME CLASS: 94V-2
- COLOR: NATURAL

6-101-1



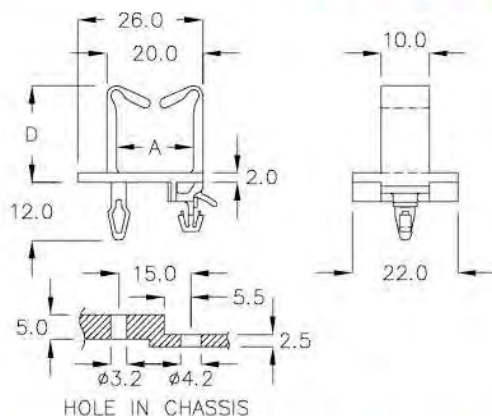
PART NO	A	T CHASSIS THICKNESS	PACKAGE
CYL-12M	12.0	1.0	500



隔離束線座 WIRE SADDLE

- MATERIAL: PP
- COLOR: BLACK

6-101-2



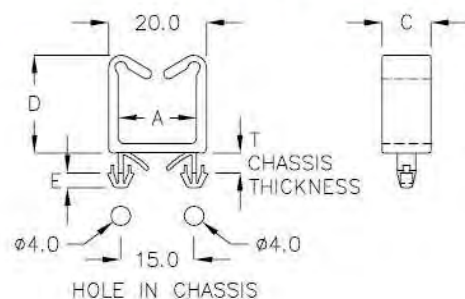
PART NO	A	D	PACKAGE
CRN-16	16.0	20.0	200



隔離束線座 WIRE SADDLE

- MATERIAL: NYLON 66(UL)
- FLAME CLASS: 94V-2
- COLOR: NATURAL, BLACK

6-101-3



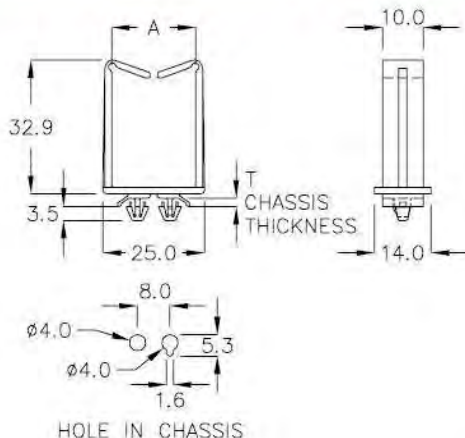
PART NO	A	C	D	E	T CHASSIS THICKNESS	PACKAGE
CRC-16K	16.0	10.0	20.0	3.0	0.8~2.3	200
CRC-16PS	16.0	10.0	24.0	2.4	1.0~2.3	
CRC-16F	16.4	10.4	24.5	2.1	1.0~2.3	



電線固定座 WIRE MOUNT

- MATERIAL: NYLON 66(UL)
- FLAME CLASS: 94V-2
- COLOR: NATURAL

6-101-4



PART NO	A	T CHASSIS THICKNESS	PACKAGE
CYD-20A	20.8	0.8~1.2	100

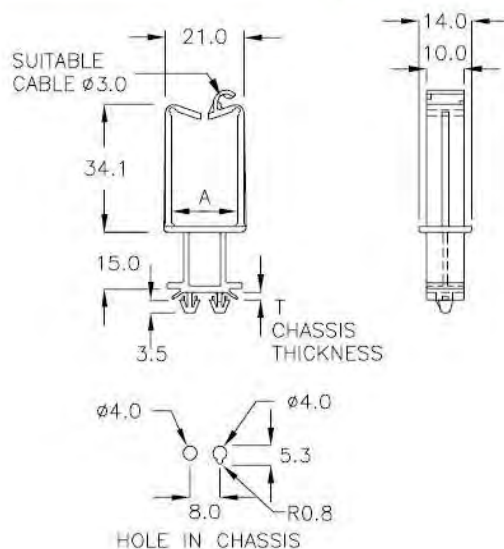


隔離束線座 WIRE SADDLE

6-102-1

- MATERIAL: NYLON 66(UL)
- FLAME CLASS: 94V-2
- COLOR: NATURAL

PART NO	A	T CHASSIS THICKNESS	PACKAGE
CYM-17A	17.8	0.8~1.2	100

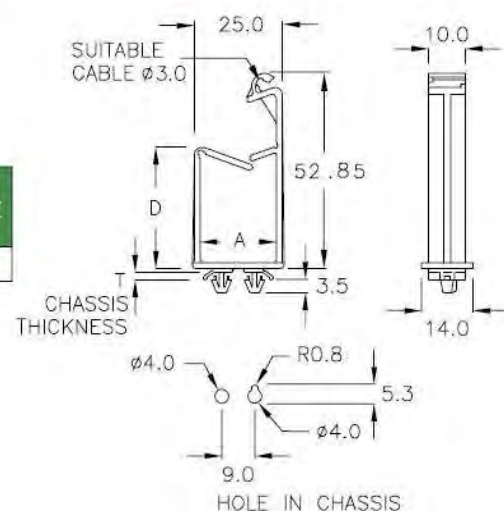


電線固定座 WIRE MOUNT

6-102-2

- MATERIAL: NYLON 66(UL)
- FLAME CLASS: 94V-2
- COLOR: NATURAL

PART NO	A	D	T CHASSIS THICKNESS	PACKAGE
CYR-20K	20.8	32.8	0.8~1.2	100

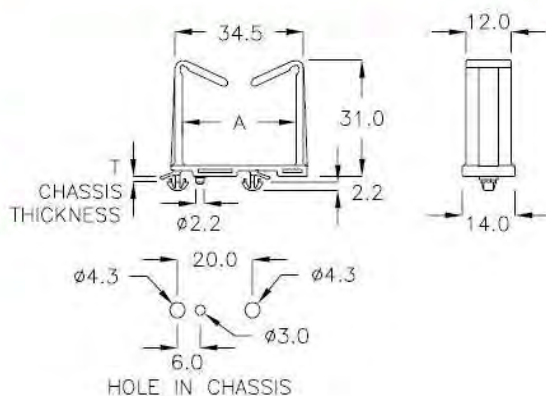


隔離束線座 WIRE SADDLE

6-102-3

- MATERIAL: NYLON 66(UL)
- FLAME CLASS: 94V-2
- COLOR: BLACK

PART NO	A	T CHASSIS THICKNESS	PACKAGE
CYP-30MC	30.5	0.8~1.2	200

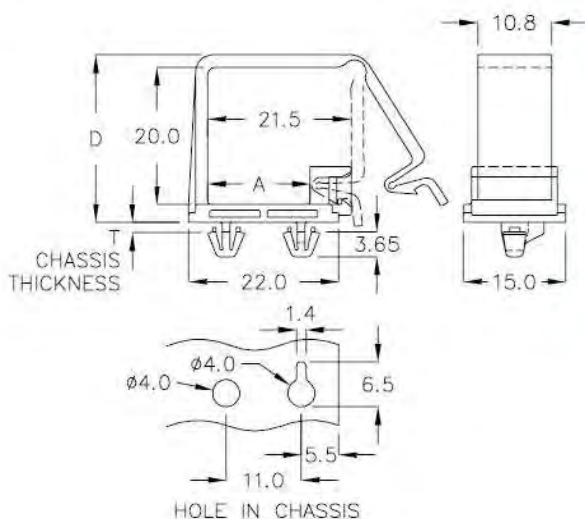




隔離束線座 WIRE SADDLE

6-103-1

- MATERIAL: NYLON 66(UL)
- FLAME CLASS: 94V-2
- COLOR: BLACK



WITH LOCK FEATURE

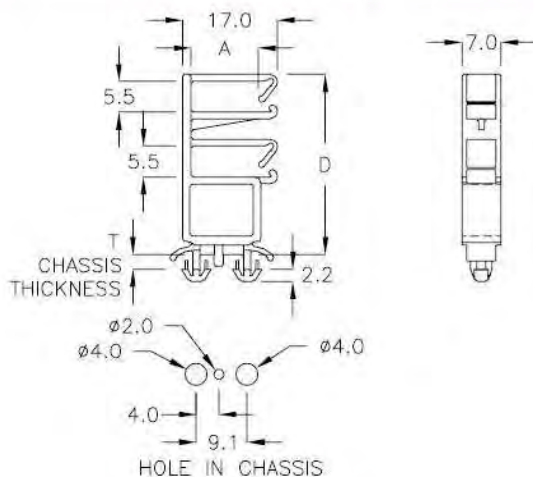
PART NO	A	D	T CHASSIS THICKNESS	PACKAGE
CKKS-20KY	15.0	24.4	1.2	500



隔離束線座 WIRE SADDLE

6-103-2

- MATERIAL: NYLON 66(UL)
- FLAME CLASS: 94V-2
- COLOR: BLACK



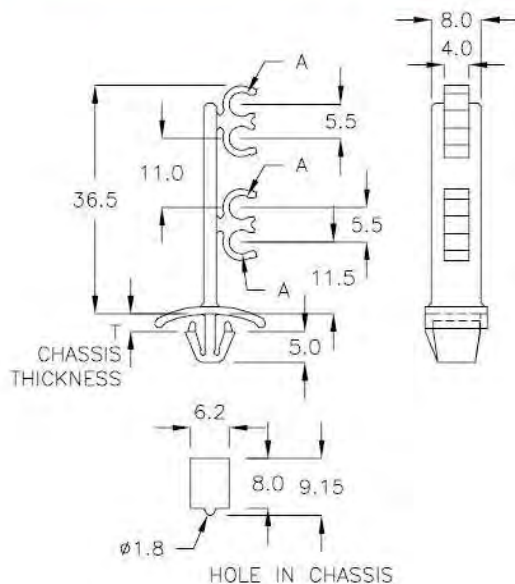
PART NO	A	D	T CHASSIS THICKNESS	PACKAGE
FYH-5K	12.0	31.95	1.6~2.4	100



隔離束線座 WIRE SADDLE

6-103-3

- MATERIAL: POM
- COLOR: NATURAL



PART NO	A	T CHASSIS THICKNESS	PACKAGE
CTK-44Q	4.0	1.0~2.0	200

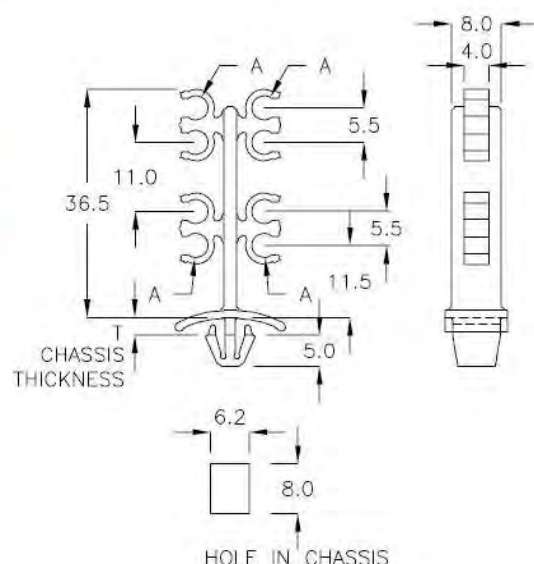


隔離束線座 WIRE SADDLE

6-104-1

- MATERIAL: POM
- COLOR: NATURAL

PART NO	A	T CHASSIS THICKNESS	PACKAGE
CTM-44P	ø4.0	1.0~2.0	200



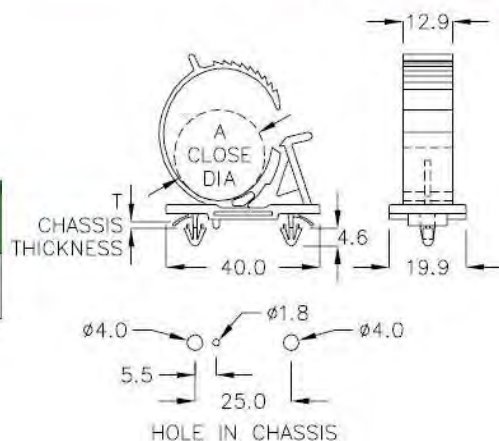
電線固定座 WIRE MOUNT

6-104-2

- MATERIAL: NYLON 66(UL)
- FLAME CLASS: 94V-2
- COLOR: NATURAL

WITH LOCK FEATURE

PART NO	A CLOSE DIA	T CHASSIS THICKNESS	PACKAGE
FWW-40	ø22.5~ø26.5	0.8~2.0	100
FWW-40C	ø22.5~ø26.5	0.8	



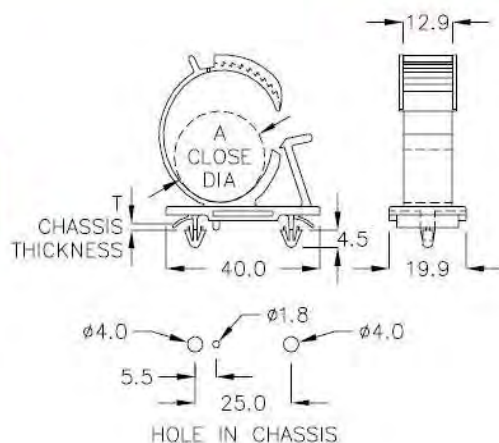
電線固定座 WIRE MOUNT

6-104-3

- MATERIAL: NYLON 66(UL)
- FLAME CLASS: 94V-2
- COLOR: NATURAL

WITH LOCK FEATURE

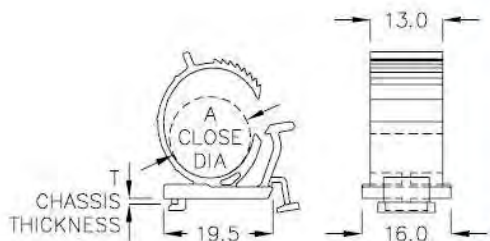
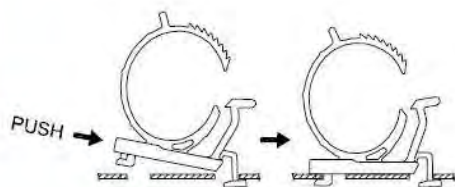
PART NO	A CLOSE DIA	T CHASSIS THICKNESS	PACKAGE
FWQ-40	ø22.5~ø26.5	0.8~2.0	100





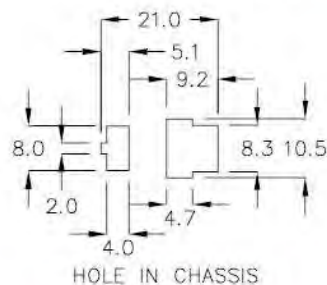
電線固定座 WIRE MOUNT | 6-105-1 |

- MATERIAL: NYLON 66(UL)
- FLAME CLASS: 94V-2
- COLOR: NATURAL



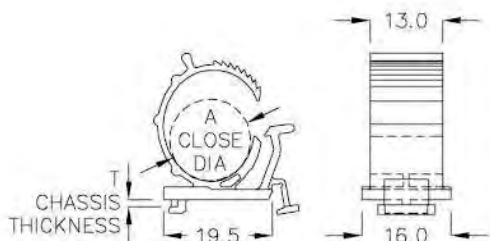
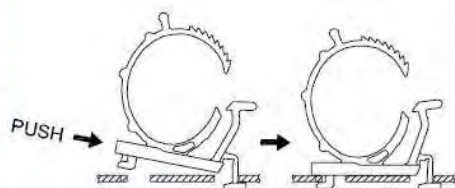
WITH LOCK FEATURE

PART NO	A CLOSE DIA	T CHASSIS THICKNESS	PACKAGE
FW-24	φ13.0~φ14.5	0.8	200



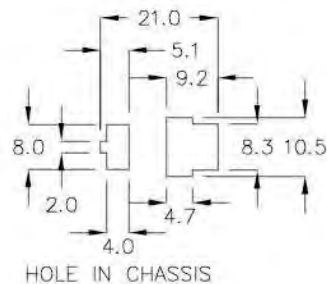
電線固定座 WIRE MOUNT | 6-105-2 |

- MATERIAL: NYLON 66(UL)
- FLAME CLASS: 94V-2
- COLOR: NATURAL



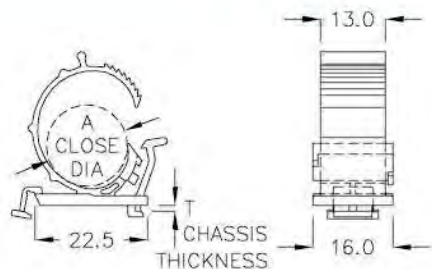
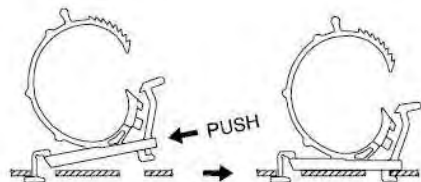
WITH LOCK FEATURE

PART NO	A CLOSE DIA	T CHASSIS THICKNESS	PACKAGE
FW-24CM	φ12.5~φ15.0	1.0	200



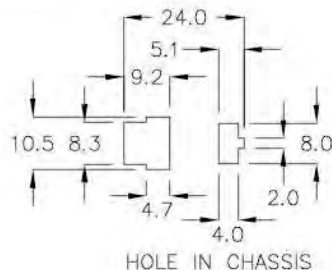
電線固定座 WIRE MOUNT | 6-105-3 |

- MATERIAL: NYLON 66(UL)
- FLAME CLASS: 94V-2
- COLOR: BLACK



WITH LOCK FEATURE

PART NO	A CLOSE DIA	T CHASSIS THICKNESS	PACKAGE
FDH-14J	φ14.5~φ17.0	1.0	100

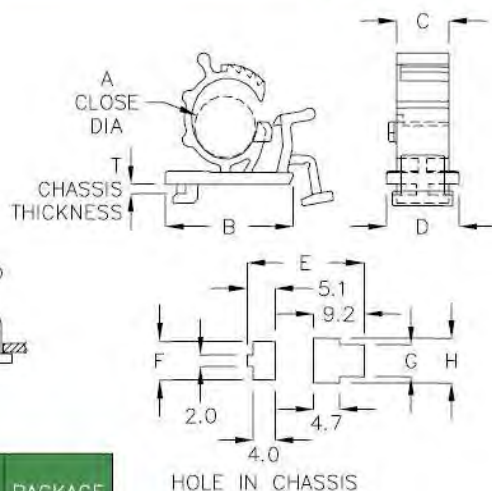
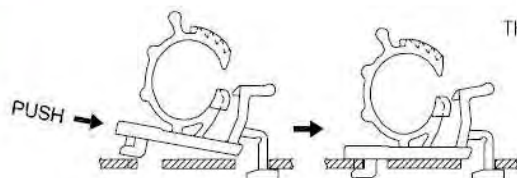




電線固定座 WIRE MOUNT

6-106-1

- MATERIAL: NYLON 66(UL)
- FLAME CLASS: 94V-2
- COLOR: BLACK



WITH LOCK FEATURE

PART NO	A CLOSE DIA	B	C	D	E	F	G	H	T CHASSIS THICKNESS	PACKAGE
FWR-6A	φ6.0~φ7.0	15.85	6.5	9.0	17.7	7.0	5.8	8.0	0.9~1.1	500
FWR-7M	φ7.5~φ8.5	16.0	6.5	9.0	17.7	7.0	5.8	8.0	0.9~1.1	
FWR-9C	φ8.5~φ10.0	18.8	13.0	16.0	21.0	8.0	8.3	10.5	0.9~1.0	200



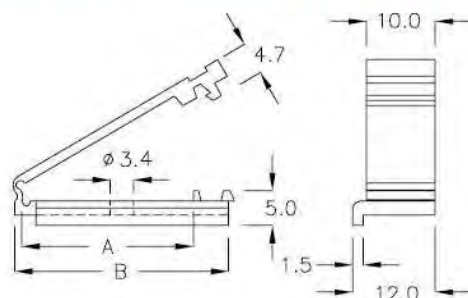
排線固定板 FLAT CABLE CLAMP

6-106-2

- MATERIAL: NYLON 66(UL)
- FLAME CLASS: 94V-2
- COLOR: NATURAL

WITH LOCK FEATURE

PART NO	A	B	PACKAGE
FCM-25J	24.8	31.0	200



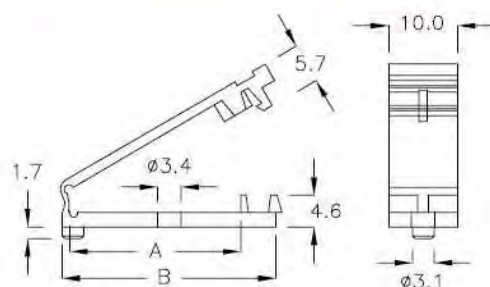
排線固定板 FLAT CABLE CLAMP

6-106-3

- MATERIAL: NYLON 66(UL)
- FLAME CLASS: 94V-2
- COLOR: NATURAL

WITH LOCK FEATURE

PART NO	A	B	PACKAGE
FCM-26	24.8	31.0	200



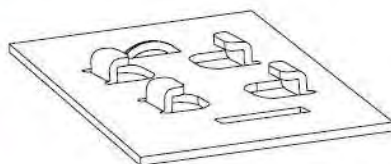


排線固定板 FLAT CABLE CLAMP ———— 6-107-1

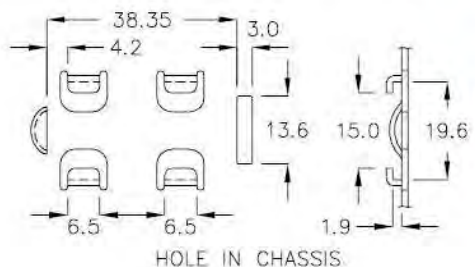
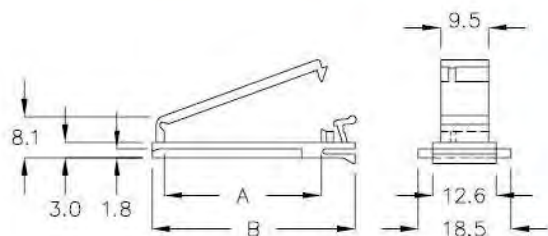
- MATERIAL: NYLON 66(UL)
- FLAME CLASS: 94V-2
- COLOR: NATURAL

WITH LOCK FEATURE

PART NO	A	B	PACKAGE
LFD-25	31.2	40.5	200



HOLE IN CHASSIS (REF.)

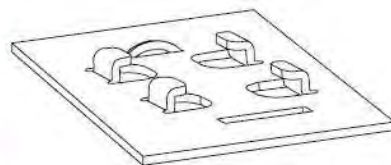


排線固定板 FLAT CABLE CLAMP ———— 6-107-2

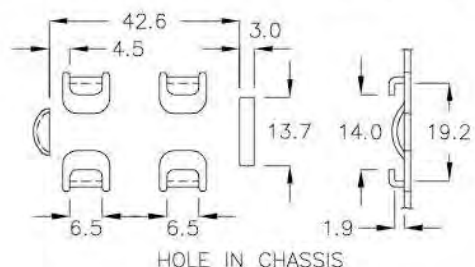
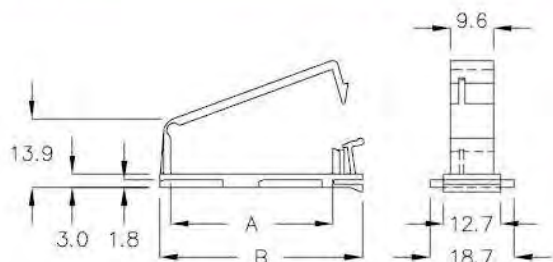
- MATERIAL: NYLON 66(UL)
- FLAME CLASS: 94V-2
- COLOR: NATURAL

WITH LOCK FEATURE

PART NO	A	B	PACKAGE
LFN-36C	36.0	45.0	100



HOLE IN CHASSIS (REF.)

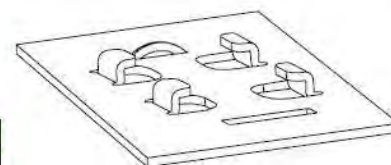


排線固定板 FLAT CABLE CLAMP ———— 6-107-3

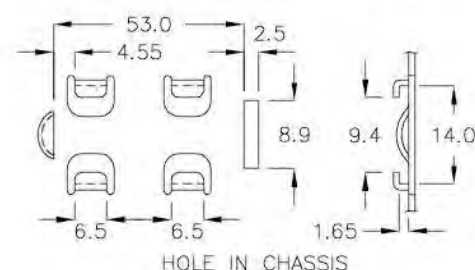
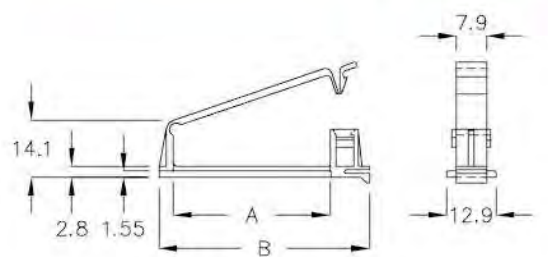
- MATERIAL: NYLON 66(UL)
- FLAME CLASS: 94V-2
- COLOR: NATURAL

WITH LOCK FEATURE

PART NO	A	B	PACKAGE
LFN-40K	40.75	54.65	100



HOLE IN CHASSIS (REF.)

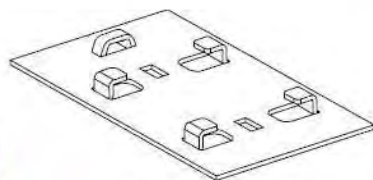




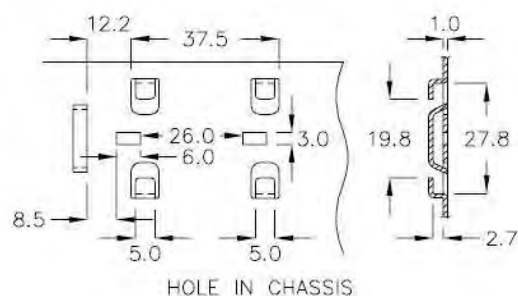
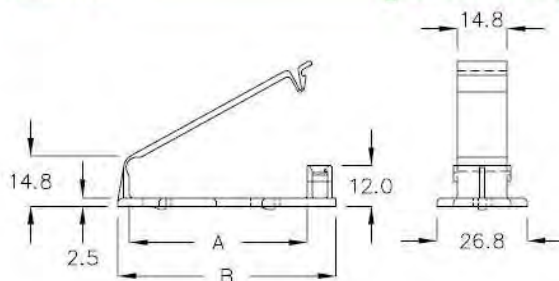
排線固定板 FLAT CABLE CLAMP

6-108-1

- MATERIAL: NYLON 66(UL)
- FLAME CLASS: 94V-2
- COLOR: BLACK



HOLE IN CHASSIS (REF.)



WITH LOCK FEATURE

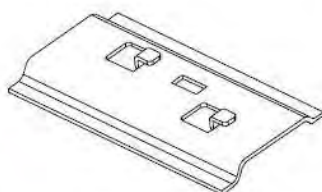
PART NO	A	B	PACKAGE
LFZ-52K	52.6	64.5	100



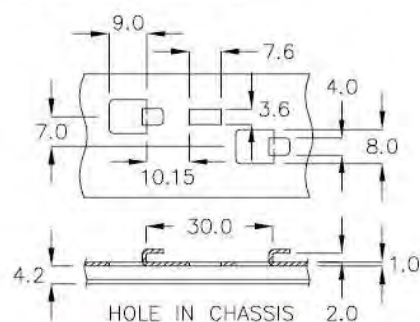
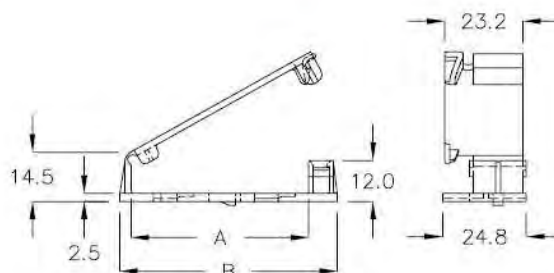
排線固定板 FLAT CABLE CLAMP

6-108-2

- MATERIAL: NYLON 66(UL)
- FLAME CLASS: 94V-2
- COLOR: BLACK



HOLE IN CHASSIS (REF.)



WITH LOCK FEATURE

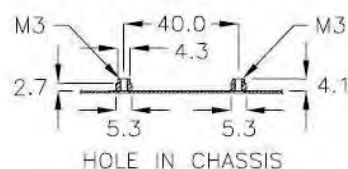
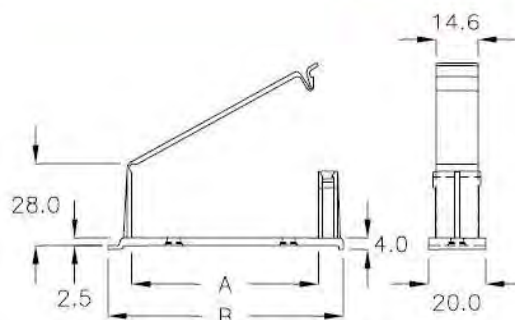
PART NO	A	B	PACKAGE
LFZN-52A	52.6	64.5	100



電線固定板 CABLE CLAMP

6-108-3

- MATERIAL: NYLON 66(UL)
- FLAME CLASS: 94V-0
- COLOR: BLACK



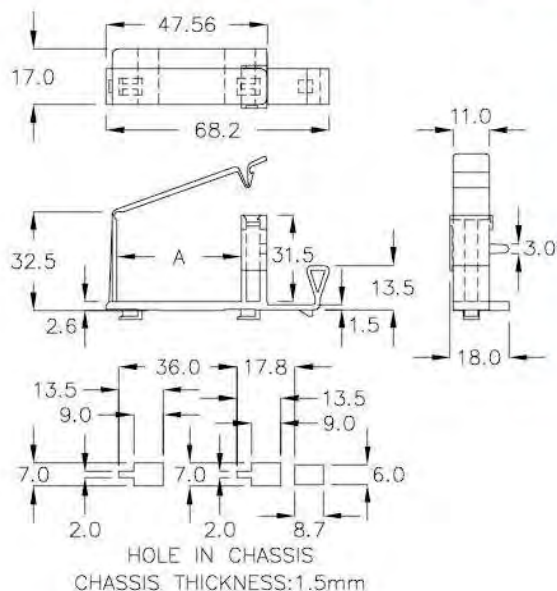
WITH LOCK FEATURE

PART NO	A	B	PACKAGE
FCWA-65KC	65.1	82.1	100



電線固定板 CABLE CLAMP 6-109-1

- MATERIAL: NYLON 66(UL)
- FLAME CLASS: 94V-2
- COLOR: BLACK



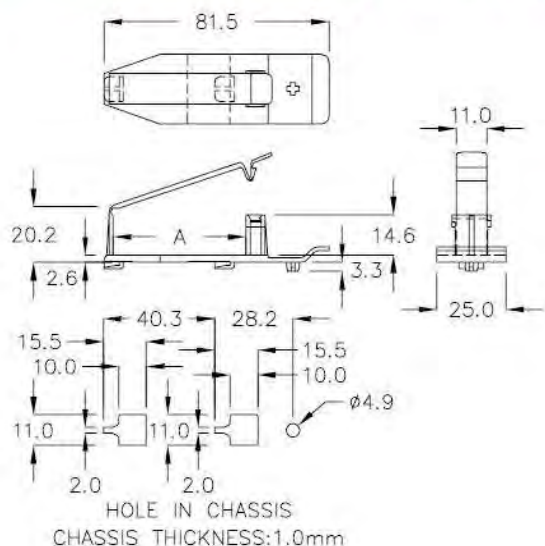
WITH LOCK FEATURE

PART NO	A	PACKAGE
FCAT-38D	38.0	100



電線固定板 CABLE CLAMP 6-109-2

- MATERIAL: NYLON 66(UL)
- FLAME CLASS: 94V-2
- COLOR: BLACK



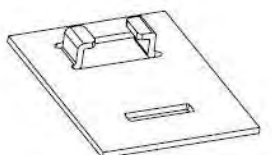
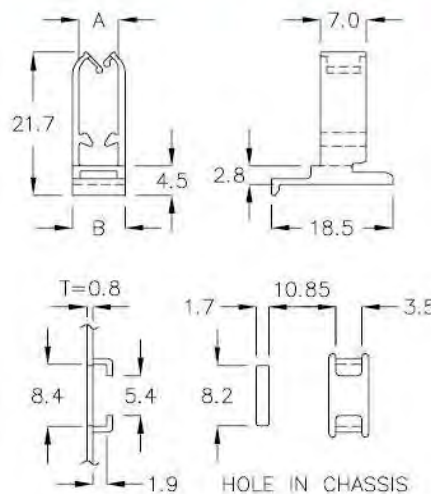
WITH LOCK FEATURE

PART NO	A	PACKAGE
FCA-48C	48.0	100



隔離束線座 WIRE SADDLE 6-109-3

- MATERIAL: NYLON 66(UL)
- FLAME CLASS: 94V-2
- COLOR: BLACK



HOLE IN CHASSIS (REF.)

PART NO	A	B	PACKAGE
CYJ-6A	6.0	8.0	500

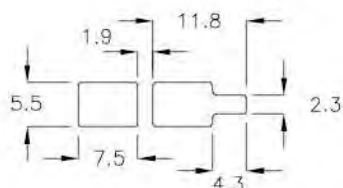
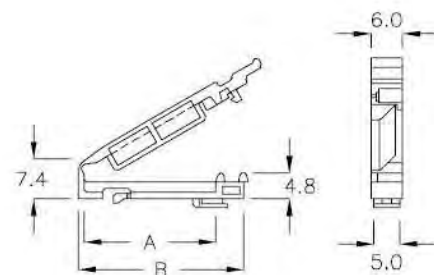
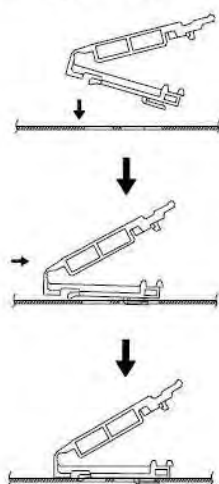


排線固定板 FLAT CABLE CLAMP 6-110-1

- MATERIAL: NYLON 66(UL)
- FLAME CLASS: 94V-2
- COLOR: NATURAL, BLACK

WITH LOCK FEATURE

PART NO	A	B	PACKAGE
FCK-31M	24.9	31.3	500



HOLE IN CHASSIS
CHASSIS THICKNESS: 0.8mm

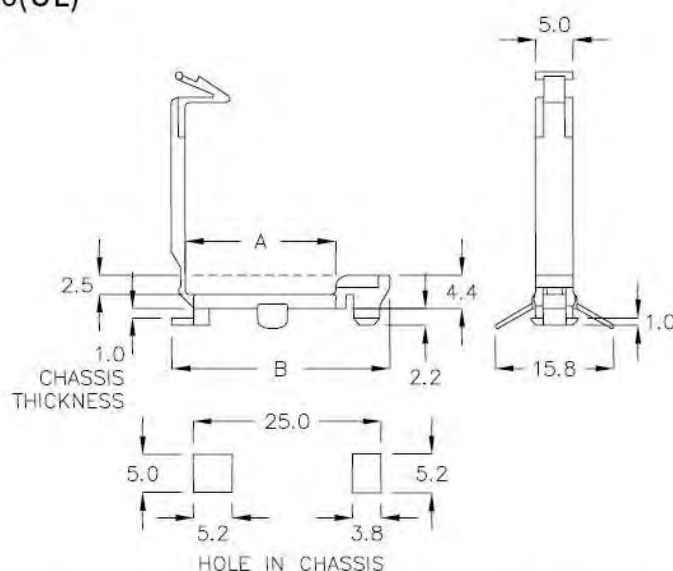


排線固定座 FLAT CABLE CLIP 6-110-2

- MATERIAL: NYLON 66(UL)
- FLAME CLASS: 94V-0
- COLOR: NATURAL

WITH LOCK FEATURE

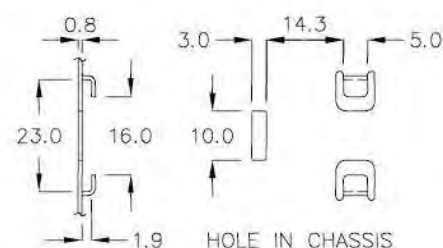
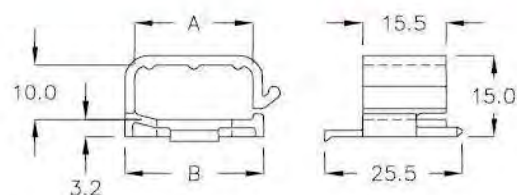
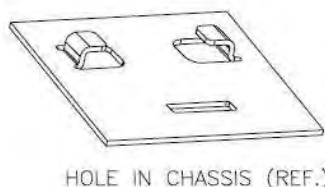
PART NO	A	B	PACKAGE
CUD-20	20.0	29.0	200



電線固定座 WIRE MOUNT 6-110-3

- MATERIAL: NYLON 66(UL)
- FLAME CLASS: 94V-2
- COLOR: BLACK

PART NO	A	B	PACKAGE
FYC-22H	22.0	25.8	200



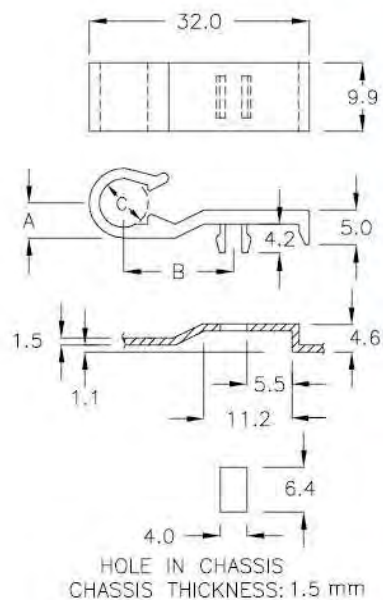


電線固定座 WIRE MOUNT

6-111-1

- MATERIAL: NYLON 66(UL)
- FLAME CLASS: 94V-0
- COLOR: NATURAL

PART NO	A	B	C	PACKAGE
CU-07C	5.0	16.0	∅6.9	500

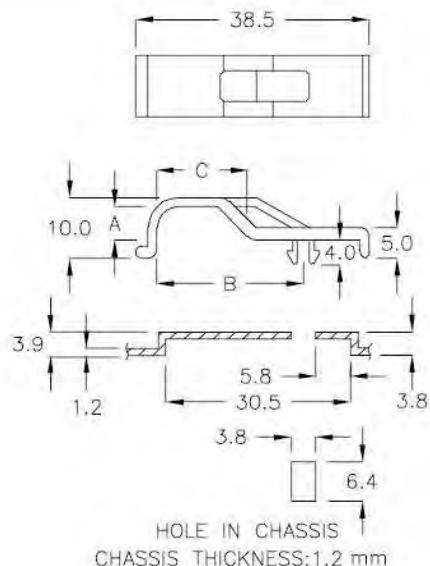


壓線座 WIRE MOUNT

6-111-2

- MATERIAL: NYLON 66(UL)
- FLAME CLASS: 94V-0
- COLOR: NATURAL

PART NO	A	B	C	PACKAGE
CU-07F	5.5	24.2	15.0	500

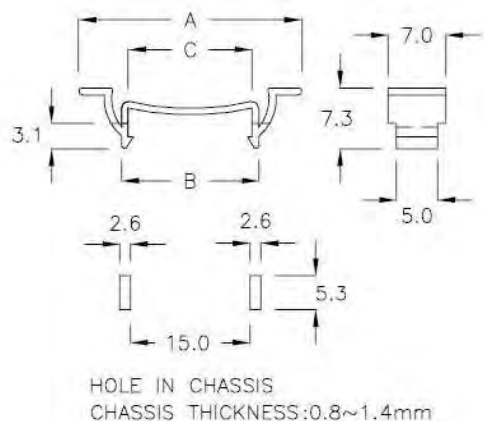


排線固定夾 FLAT CABLE CLAMP

6-111-3

- MATERIAL: NYLON 66(UL)
- FLAME CLASS: 94V-2
- COLOR: NATURAL

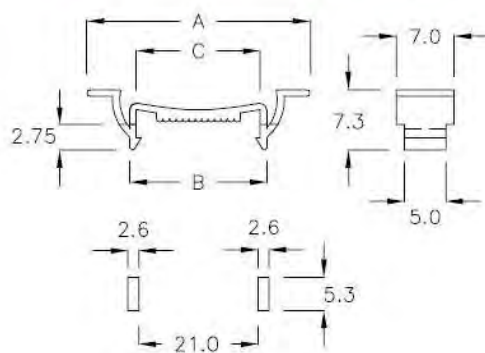
PART NO	A	B	C	PACKAGE
FBC-15	27.0	16.6	15.0	500





排線固定夾 FLAT CABLE CLAMP ———— 6-112-1

- MATERIAL: NYLON 66(UL)
- FLAME CLASS: 94V-2
- COLOR: NATURAL



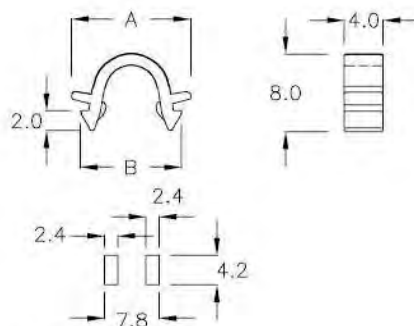
HOLE IN CHASSIS
CHASSIS THICKNESS:1.2mm

PART NO	A	B	C	PACKAGE
FBC-21	33.0	22.6	21.0	500



電線固定扣 WIRE CLIP ———— 6-112-2

- MATERIAL: NYLON 66(UL)
- FLAME CLASS: 94V-2
- COLOR: BLACK



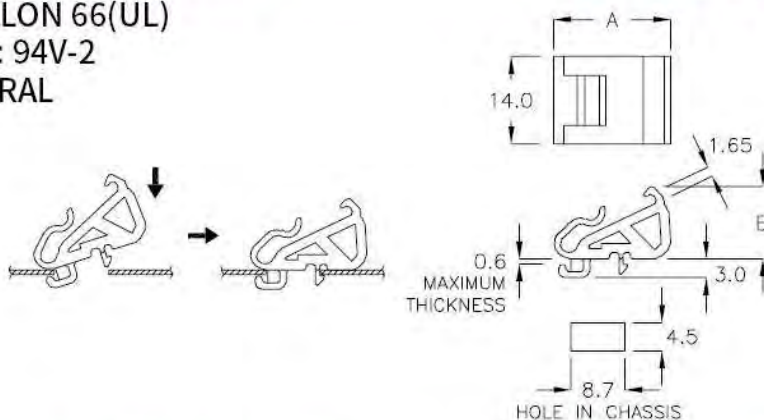
HOLE IN CHASSIS
CHASSIS THICKNESS:0.6mm

PART NO	A	B	PACKAGE
FBM-10A	12.35	10.45	2000



電線固定座 CABLE CLAMP ———— 6-112-3

- MATERIAL: NYLON 66(UL)
- FLAME CLASS: 94V-2
- COLOR: NATURAL

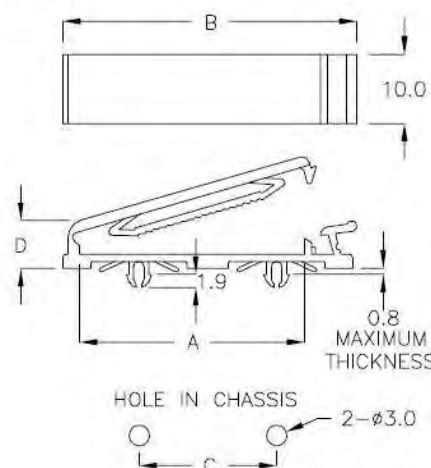


PART NO	A	B	PACKAGE
FDP-19	18.8	11.55	500



排線固定板 FLAT CABLE CLAMP ———— 6-112-4

- MATERIAL: NYLON 66(UL)
- FLAME CLASS: 94V-2
- COLOR: NATURAL



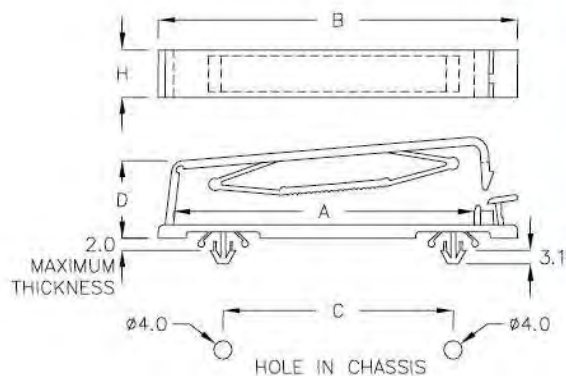
WITH LOCK FEATURE

PART NO	A	B	C	D	PACKAGE
FCJ-25K	32.7	42.7	20.0	6.9	100



排線固定夾 FLAT CABLE CLAMP ———— 6-113-1

- MATERIAL: NYLON 66(UL)
- FLAME CLASS: 94V-2
- COLOR: NATURAL



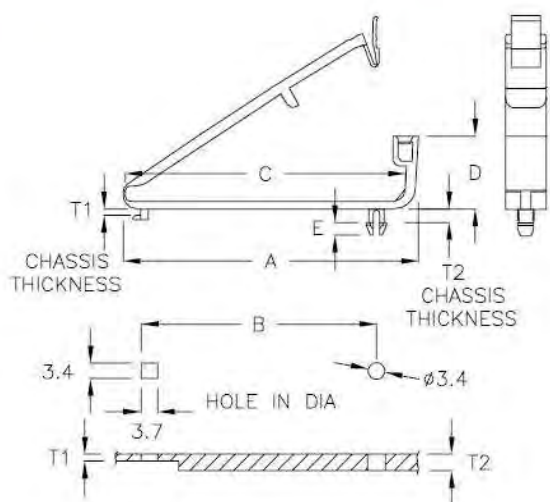
WITH LOCK FEATURE

PART NO	A	B	C	D	H	SUITABLE CABLE	PACKAGE
FCC-15A	14.4	32.6	15.0	13.7	9.1	10 PIN	200
FCC-25A	25.0	39.6	20.0	13.0	13.3	20 PIN	
FCC-30A	39.6	55.0	35.0	13.0	12.5	30 PIN	100
FCC-40B	53.5	67.0	40.0	16.2	10.1	40 PIN	
FCC-50A	64.6	77.6	49.7	13.6	10.1	50 PIN	
FCC-50C	64.3	77.0	49.7	12.8	10.0	50 PIN	



排線固定板 FLAT CABLE CLAMP ———— 6-113-2

- MATERIAL: NYLON 66(UL)
- FLAME CLASS: 94V-2
- COLOR: BLACK
- ASSEMBLY:
 - 1.INSERT ASLOPE
 - 2.DEPRESS THE CLAMP



WITH LOCK FEATURE

PART NO	A	B	C	D	E	T1	T2	PACKAGE
FCG-60A	58.2	46.7	55.3	14.6	2.5	1.0	2.4	100
FCG-60C	58.2	46.7	55.3	11.9	1.8	1.0	1.0	

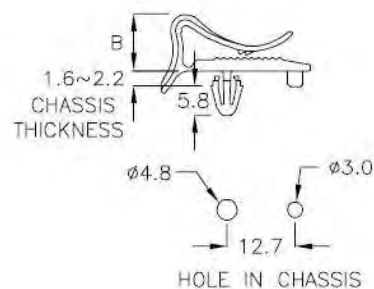
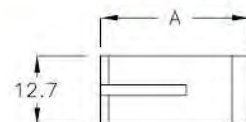


排線固定板 FLAT CABLE CLAMP ———— 6-114-1

- MATERIAL: NYLON 66(UL)
- FLAME CLASS: 94V-2
- COLOR: NATURAL

WITH LOCK FEATURE

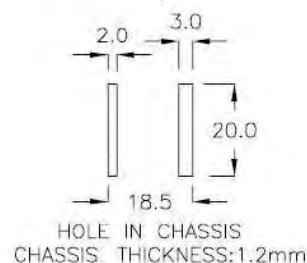
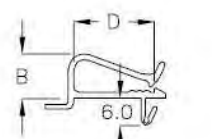
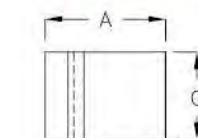
PART NO	A	B	PACKAGE
FC-27N	27.8	10.5	500



排線固定板 FLAT CABLE CLAMP ———— 6-114-2

- MATERIAL: NYLON 66(UL)
- FLAME CLASS: 94V-2
- COLOR: NATURAL
- ASSEMBLY:
 - 1.INSERT ASLOPE
 - 2.DEPRESS THE MOUNT

PART NO	A	B	C	D	PACKAGE
LFC-01	26.4	9.6	19.0	17.6	200

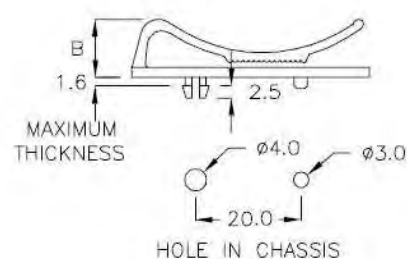
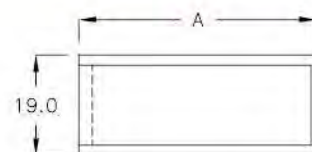


排線固定板 FLAT CABLE CLIP ———— 6-114-3

- MATERIAL: NYLON 66(UL)
- FLAME CLASS: 94V-2
- COLOR: NATURAL

WITH LOCK FEATURE

PART NO	A	B	PACKAGE
FC-45N	45.0	10.9	200

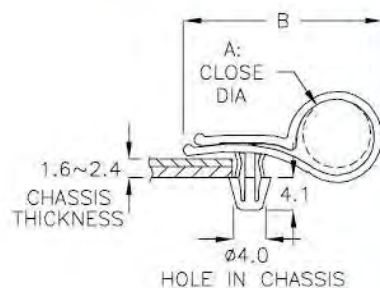




電線固定扣 WIRE CLIP

- MATERIAL: NYLON 66(UL)
- FLAME CLASS: 94V-2
- COLOR: NATURAL

6-115-1



WITH LOCK FEATURE

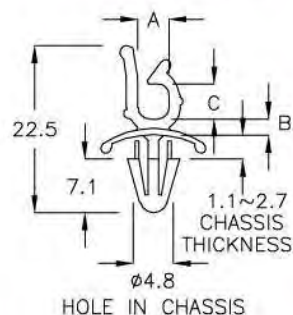
PART NO	A CLOSE DIA	B	PACKAGE
PC-08T	$\phi 7.8$	24.4	500
PC-10T	$\phi 10.0$	29.3	



電線固定扣 WIRE CLIP

- MATERIAL: NYLON 66(UL)
- FLAME CLASS: 94V-2
- COLOR: NATURAL

6-115-2



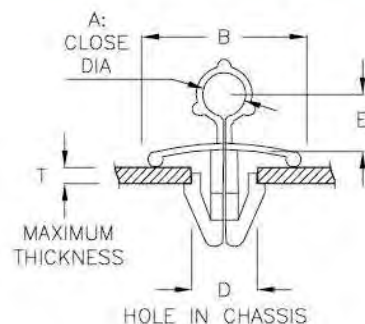
PART NO	A	B	C	PACKAGE
TA-5	4.2	2.5	4.7	1000



電線固定扣 WIRE CLIP

- MATERIAL: NYLON 66(UL)
- FLAME CLASS: 94V-2
- COLOR: NATURAL

6-115-3



WITH LOCK FEATURE

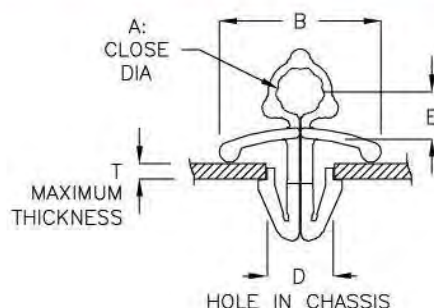
PART NO	A CLOSE DIA	B	D HOLE IN CHASSIS	E	T MAXIMUM THICKNESS	PACKAGE
TA-3C	$\phi 3.8$	15.5	$\phi 6.5$	5.7	1.6	1000



電線固定扣 WIRE CLIP

- MATERIAL: NYLON 66(UL)
- FLAME CLASS: 94V-2
- COLOR: NATURAL

6-115-4



WITH LOCK FEATURE

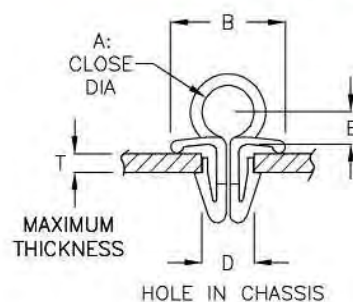
PART NO	A CLOSE DIA	B	D HOLE IN CHASSIS	E	T CHASSIS THICKNESS	PACKAGE
TA-2K	$\phi 2.9$	12.0	$\phi 4.5$	3.5	0.6~1.6	1000



電線固定扣 WIRE CLIP

- MATERIAL: NYLON 66(UL)
- FLAME CLASS: 94V-2
- COLOR: NATURAL

6-116-1



WITH LOCK FEATURE

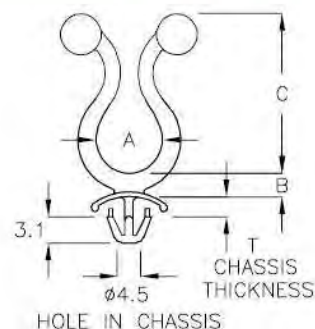
PART NO	A CLOSE DIA	B	D HOLE IN CHASSIS	E	T MAXIMUM THICKNESS	PACKAGE
TA-3M	ø3.8	14.8	ø6.5	5.7	1.2	1000
TA-5M	ø5.0	11.7	ø6.5	4.3	2.0	
TA-6	ø5.5	12.5	ø5.5	5.0	2.0	
TA-7	ø7.5	14.1	ø5.5	4.6	2.0	
TA-8	ø8.4	16.5	ø6.0	6.2	1.6	
TA-08A	ø8.4	13.5	ø5.5	6.2	1.6	
TA-11	ø11.1	16.2	ø6.0	7.0	1.9	



隔離束線座 WIRE CLIP

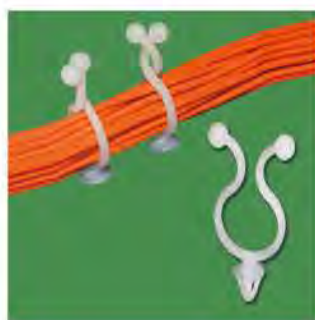
- MATERIAL: NYLON 66(UL)
- FLAME CLASS: 94V-2
- COLOR: NATURAL

6-116-2



WITH LOCK FEATURE

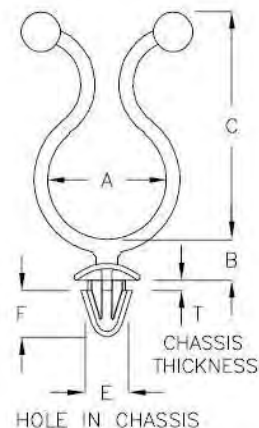
PART NO	A	B	C	CLOSE A	T CHASSIS THICKNESS	PACKAGE
TF8-3DC	8.1	3.5	19.2	ø6.5	0.8~1.2	1000



隔離束線座 WIRE CLIP

- MATERIAL: NYLON 66(UL)
- FLAME CLASS: 94V-2
- COLOR: NATURAL

6-116-3



WITH LOCK FEATURE

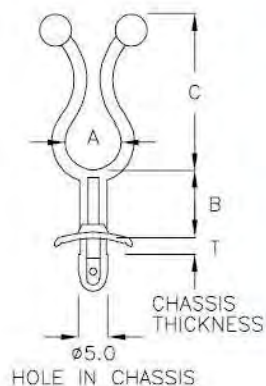
PART NO	A	B	C	CLOSE A	T CHASSIS THICKNESS	E HOLE IN CHASSIS	F	PACKAGE
TN16-5	16.2	5.4	30.5	ø14.0	1.4~1.7	ø5.0	6.3	500



隔離束線座 WIRE CLIP

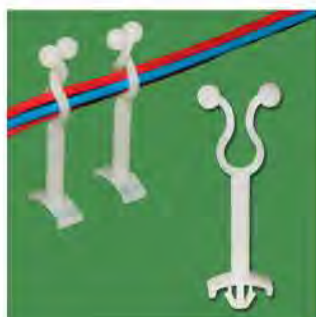
6-117-1

- MATERIAL: NYLON 66(UL)
- FLAME CLASS: 94V-2
- COLOR: NATURAL



WITH LOCK FEATURE

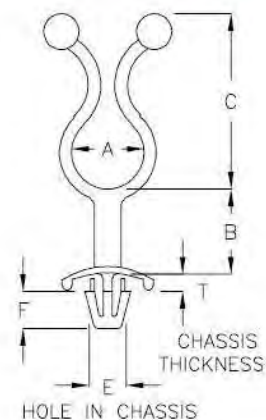
PART NO	A	B	C	CLOSE A	T CHASSIS THICKNESS	PACKAGE
TA10-4	10.5	4.0	28.0	∅9.3	1.9~2.9	500
TA10-20	10.5	20.0	27.6	∅9.4	1.8~2.8	
TA16-3	15.9	3.5	32.0	∅14.4	1.0~2.6	
TA16-18	16.0	18.0	32.0	∅14.4	1.2~2.4	



隔離束線座 WIRE CLIP

6-117-2

- MATERIAL: NYLON 66(UL)
- FLAME CLASS: 94V-2
- COLOR: NATURAL



WITH LOCK FEATURE

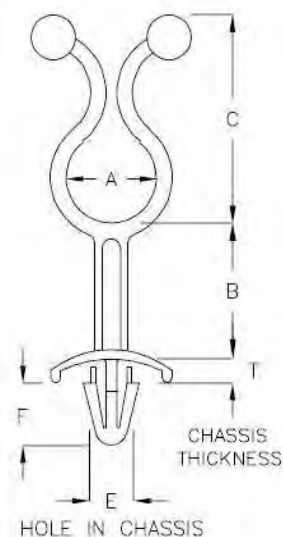
PART NO	A	B	C	CLOSE A	T CHASSIS THICKNESS	E HOLE IN CHASSIS	F	PACKAGE
TA7-23	6.7	23.7	17.2	∅5.5	0.5~2.0	∅5.0	3.2	500
TA8-15A	8.6	15.0	26.3	∅7.5	1.2~3.0	∅4.0	5.2	
TA9-15	10.7	15.0	26.3	∅9.4	1.2~3.0	∅4.0	5.2	
TA11-4A	10.8	4.6	26.3	∅9.3	0.3~2.2	∅5.0	5.6	
TA11-50A	11.5	50.2	26.7	∅10.1	0.8~2.7	∅4.8~∅5.0	5.1	
TA14-2C	14.8	2.4	30.5	∅13.0	0.8~1.6	∅4.8	5.1	



隔離束線座 WIRE CLIP

6-118-1

- MATERIAL: NYLON 66(UL)
- FLAME CLASS: 94V-2
- COLOR: NATURAL



WITH LOCK FEATURE



PART NO	A	B	C	CLOSE A	T CHASSIS THICKNESS	E HOLE IN CHASSIS	F	UL	PACKAGE
TA5-60	5.1	60.4	20.7	ø4.4	0.8~2.7	ø4.8~ø5.0	7.2		500
TA8-3	8.6	3.5	19.0	ø7.0	1.2~1.8	ø4.0	3.0	UL	1000
TA8-3L	8.6	3.2	19.0	ø7.0	1.2~2.3	ø4.0	3.3		
TA8-6	8.8	5.6	19.1	ø7.0	1.2~1.8	ø4.8~ø5.0	7.6	UL	500
TA8-10	8.0	10.5	22.7	ø6.8	1.2~2.8	ø5.0	7.2	UL	
TA8-20	8.0	20.2	22.7	ø6.8	1.2~2.8	ø5.0	7.2	UL	
TA10-3	10.9	3.0	27.0	ø9.5	1.1~2.6	ø5.0	7.3	UL	
TA10-3A	10.9	3.1	27.0	ø9.5	1.2~3.8	ø5.0	6.6		
TA10-15	11.0	15.5	27.0	ø9.7	1.1~2.6	ø5.0	7.1	UL	
TA10-35	10.9	35.0	27.0	ø9.6	1.5~3.0	ø5.0	7.2	UL	
TA11-4	11.0	4.4	26.4	ø9.5	0.6~2.4	ø5.0	7.5	UL	
TA11-5	11.5	4.7	28.0	ø10.3	0.8~2.0	ø4.0	5.5		
TA11-50	11.5	50.2	26.7	ø10.1	0.8~2.7	ø4.8~ø5.0	7.1	UL	
TA11-21	11.8	21.2	27.5	ø10.2	0.6~2.7	ø5.0	6.6	UL	
TA11-43	11.5	43.5	26.7	ø10.1	0.8~2.7	ø4.8~ø5.0	7.0		
TA12-10	12.0	10.1	27.0	ø10.2	1.2~3.2	ø4.8~ø5.0	6.6		
TA14-2	14.4	2.4	30.5	ø13.0	0.3~1.8	ø4.8	7.6		
TA16-4	16.0	3.5	30.8	ø14.0	1.3~2.9	ø5.0	7.2	UL	200
TA16-60	16.0	60.4	32.0	ø14.5	0.8~2.7	ø4.8~ø5.0	7.1	UL	
TA19-30	18.7	30.0	36.4	ø16.5	0.9~3.0	ø4.8~ø5.0	7.0		
TA20-8	20.6	8.1	36.7	ø18.4	0.8~3.0	ø4.8~ø5.0	7.1		500
TA20-16	20.3	16.2	36.3	ø18.3	1.5~3.1	ø5.0	7.2	UL	
TA24-3	24.3	3.0	43.6	ø22.0	0.6~2.7	ø5.0	6.9	UL	
TA37-3	37.5	3.3	59.3	ø35.0	1.1~2.4	ø4.8~ø5.0	6.7	UL	200

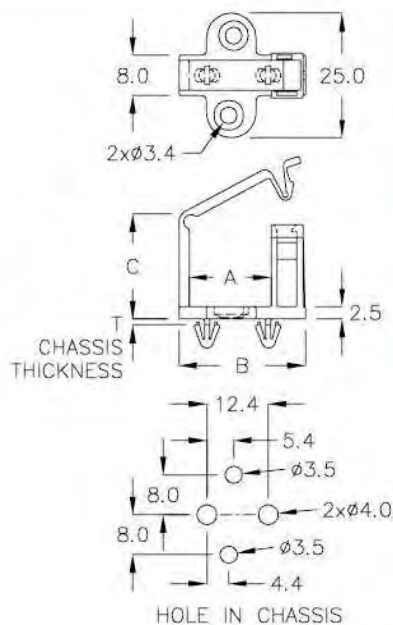


電線固定板 CABLE CLAMP 6-159-1

- MATERIAL: NYLON 66(UL)
- FLAME CLASS: 94V-2
- COLOR: BLACK
- WITH M3 COUNTERSUNK SCREW

WITH LOCK FEATURE

PART NO	A	B	C	T CHASSIS THICKNESS	PACKAGE
FCJK-16A	16.5	25.5	27.0	1.0	200

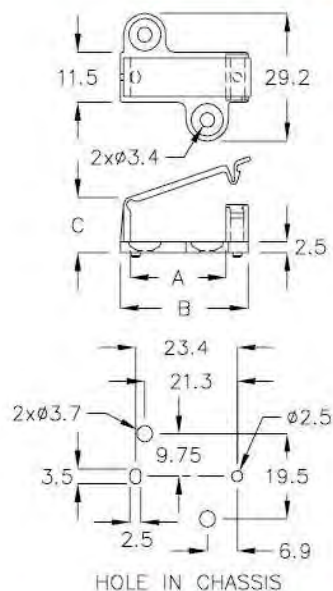


電線固定板 CABLE CLAMP 6-159-2

- MATERIAL: NYLON 66(UL)
- FLAME CLASS: 94V-0
- COLOR: BLACK
- WITH M3 COUNTERSUNK SCREW

WITH LOCK FEATURE

PART NO	A	B	C	PACKAGE
FAKT-22C	22.0	29.4	12.3	100

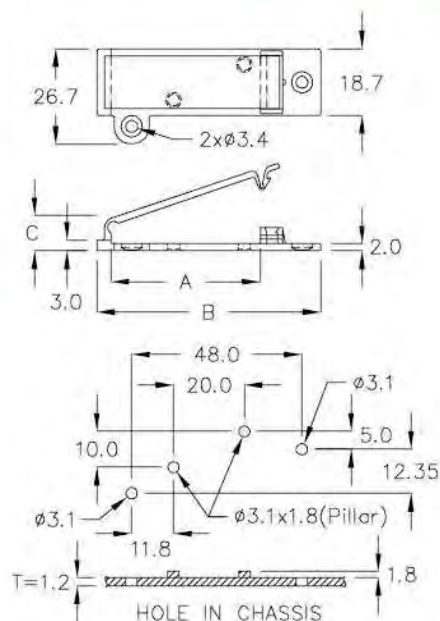


電線固定座 WIRE MOUNT 6-159-3

- MATERIAL: NYLON 66(UL)
- FLAME CLASS: 94V-0
- COLOR: BLACK
- WITH M3 COUNTERSUNK SCREW

WITH LOCK FEATURE

PART NO	A	B	C	PACKAGE
FCWB-63TM	41.35	63.1	9.2	100
FCWB-63GS	41.35	63.1	13.8	





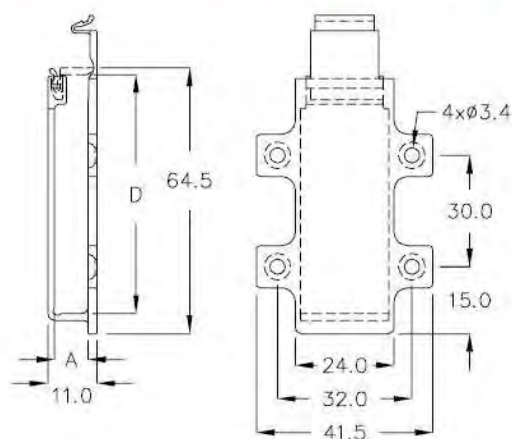
電線固定座 WIRE MOUNT

6-160-1

- MATERIAL: NYLON 66(UL)
- FLAME CLASS: 94V-2
- COLOR: BLACK
- WITH COUNTERSUNK SCREW

WITH LOCK FEATURE

PART NO	A	D	PACKAGE
CZG-52FA	7.5	58.0	100



電線固定座 WIRE MOUNT

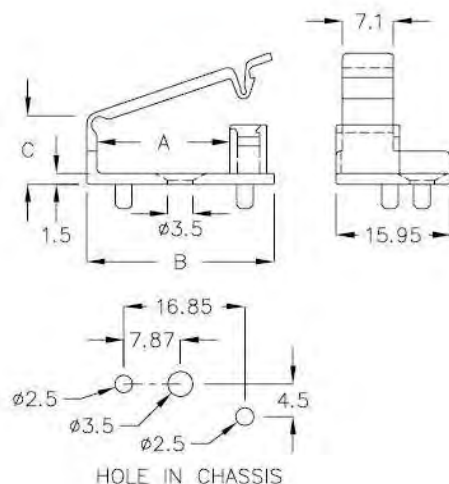
6-160-2

- MATERIAL: NYLON 66(UL)
- FLAME CLASS: 94V-2
- COLOR: BLACK
- WITH COUNTERSUNK SCREW

NEW

WITH LOCK FEATURE

PART NO	A	B	C	PACKAGE
★ FCE-18A	18.5	26.15	9.7	200



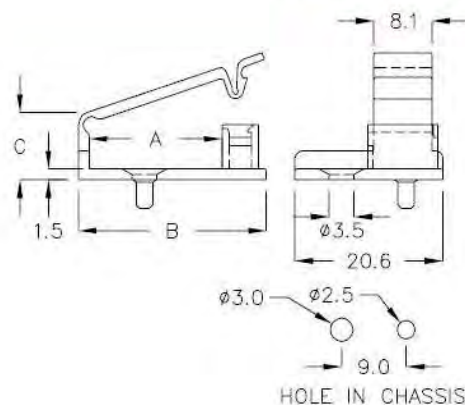
電線固定板 CABLE CLAMP

6-160-3

- MATERIAL: NYLON 66(UL)
- FLAME CLASS: 94V-2
- COLOR: BLACK
- WITH M3 COUNTERSUNK SCREW

WITH LOCK FEATURE

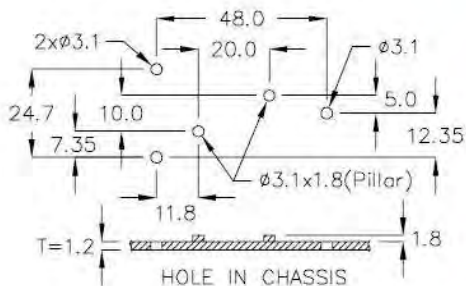
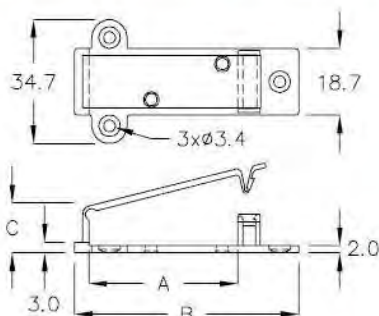
PART NO	A	B	C	PACKAGE
FCWY-18T	18.5	26.15	8.9	100





電線固定座 WIRE MOUNT ————— | 6-161-1 |

- MATERIAL: NYLON 66(UL)
- FLAME CLASS: 94V-2
- COLOR: BLACK
- WITH M3 COUNTERSUNK SCREW



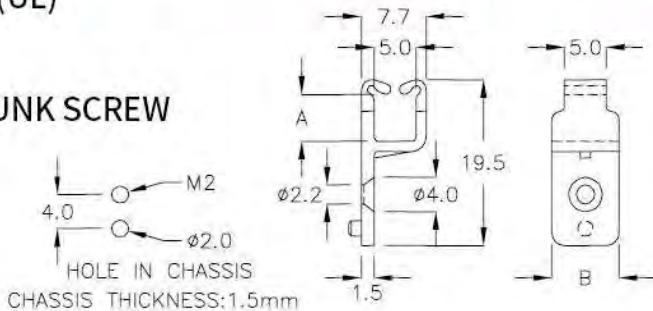
WITH LOCK FEATURE

PART NO	A	B	C	PACKAGE
FCWC-63AT	42.05	63.1	13.1	100



電線固定座 WIRE MOUNT ————— | 6-161-2 |

- MATERIAL: NYLON 66(UL)
- FLAME CLASS: 94V-2
- COLOR: NATURAL
- WITH M2 COUNTERSUNK SCREW

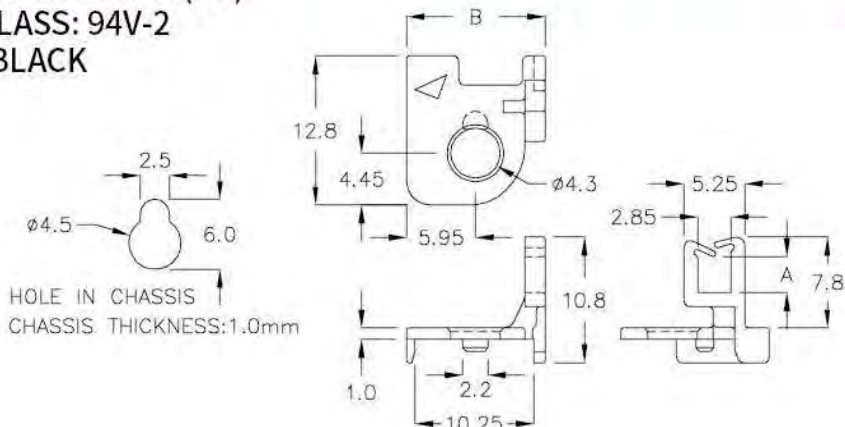


PART NO	A	B	PACKAGE
CNJ-19MT	5.5	8.0	500



隔離束線座 WIRE SADDLE ————— | 6-161-3 |

- MATERIAL: NYLON 66(UL)
- FLAME CLASS: 94V-2
- COLOR: BLACK



PART NO	A	B	PACKAGE
ABGX-13C	3.1	12.0	1000

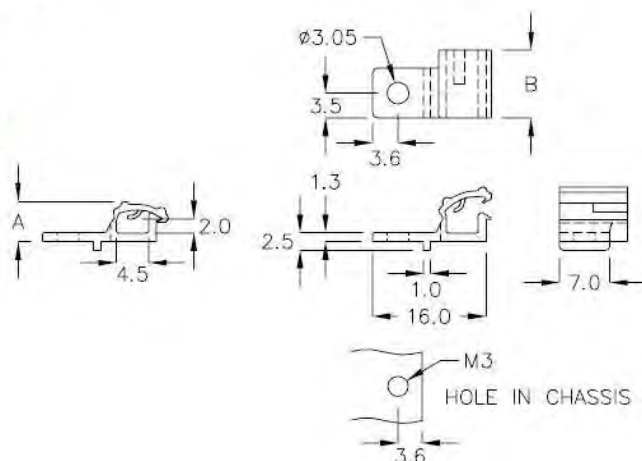


電線固定座 WIRE MOUNT

6-162-1

- MATERIAL: NYLON 66(UL)
- FLAME CLASS: 94V-0
- COLOR: NATURAL

PART NO	A	B	PACKAGE
KYA-17	5.7	9.5	1000



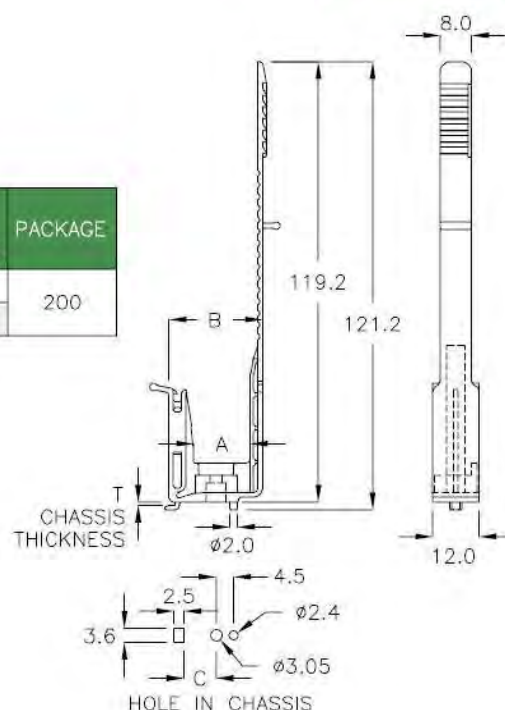
電線固定座 WIRE MOUNT

6-162-2

- MATERIAL: NYLON 66(UL)
- FLAME CLASS: 94V-2
- COLOR: BLACK

WITH LOCK FEATURE

PART NO	A	B	C	T CHASSIS THICKNESS	PACKAGE
CYX-121	14.7	24.2	8.4	0.6	200
CYX-121KP	19.7	29.2	13.4	0.6	



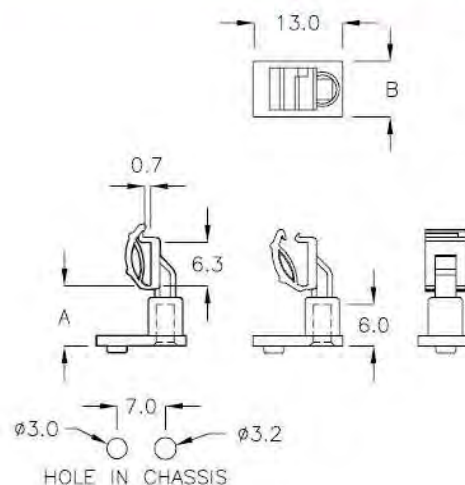
電線固定座 WIRE MOUNT

6-162-3

- MATERIAL: NYLON 66(UL)
- FLAME CLASS: 94V-2
- COLOR: NATURAL
- WITH M3 TAPPING SCREW

WITH LOCK FEATURE

PART NO	A	B	PACKAGE
CAF-8A	8.7	8.0	500

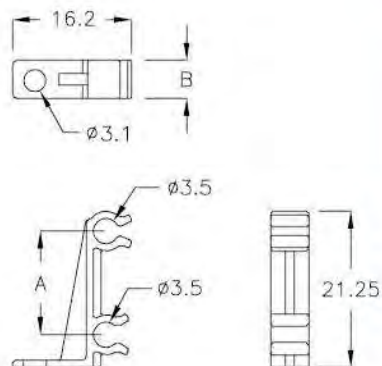




電線固定座 WIRE MOUNT

6-163-1

- MATERIAL: NYLON 66(UL)
- FLAME CLASS: 94V-2
- COLOR: NATURAL



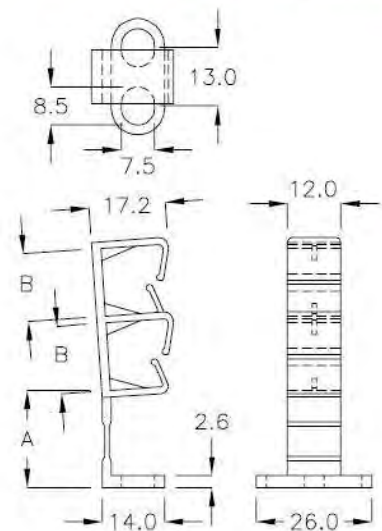
PART NO	A	B	PACKAGE
CMP-21A	14.0	5.2	500



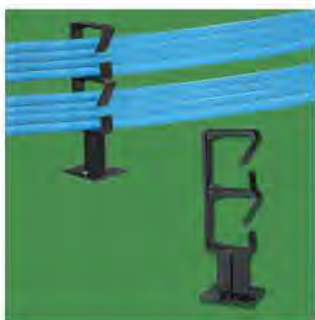
隔離束線座 WIRE SADDLE

6-163-2

- MATERIAL: NYLON 66(UL)
- FLAME CLASS: 94V-2
- COLOR: NATURAL



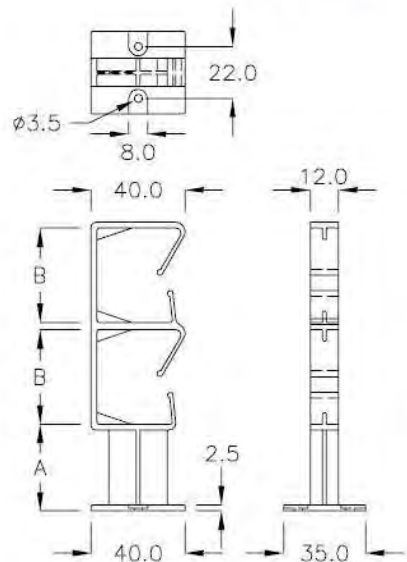
PART NO	A	B	PACKAGE
2CH-15	21.7	15.0	100



隔離束線座 WIRE SADDLE

6-163-3

- MATERIAL: NYLON 66(UL)
- FLAME CLASS: 94V-2
- COLOR: BLACK



PART NO	A	B	PACKAGE
2CH-40MP	36.7	40.3	50

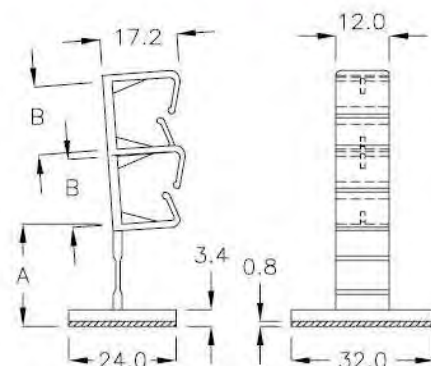


隔離束線座 WIRE SADDLE

6-164-1

- MATERIAL: NYLON 66(UL)
- FLAME CLASS: 94V-2
- COLOR: NATURAL
- ADHESIVE TAPE: 3M

PART NO	A	B	PACKAGE
2CH-15A	22.6	15.0	100

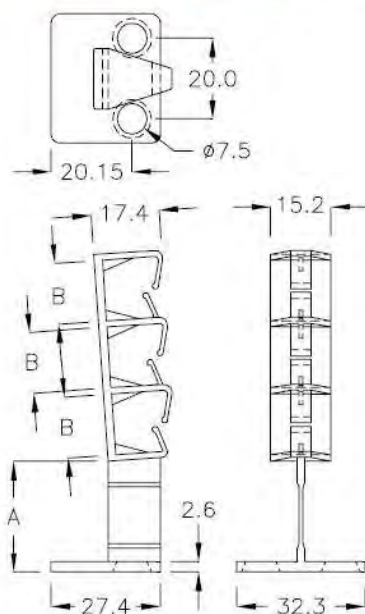


隔離束線座 WIRE SADDLE

6-164-2

- MATERIAL: NYLON 66(UL)
- FLAME CLASS: 94V-2
- COLOR: NATURAL

PART NO	A	B	PACKAGE
3CH-15	27.6	15.1	100

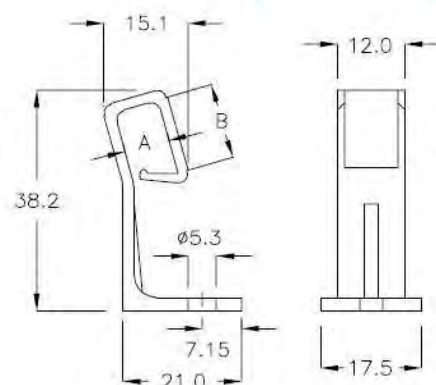


消磁線圈固定座 DEGAUSS COIL CLIP

6-164-3

- MATERIAL: NYLON 66(UL)
- FLAME CLASS: 94V-2
- COLOR: NATURAL

PART NO	A	B	PACKAGE
CH-38	7.8	13.0	200

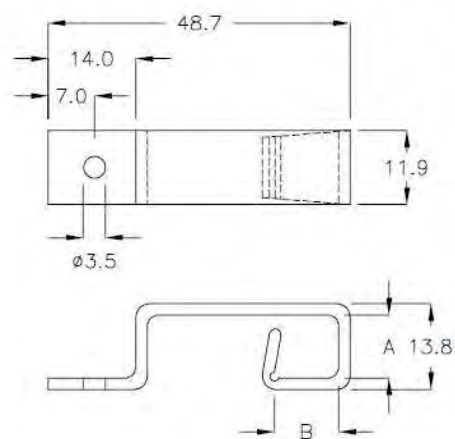




消磁線圈固定座 DEGAUSS COIL CLIP ———— | 6-165-1 |

- MATERIAL: NYLON 66(UL)
- FLAME CLASS: 94V-2
- COLOR: NATURAL

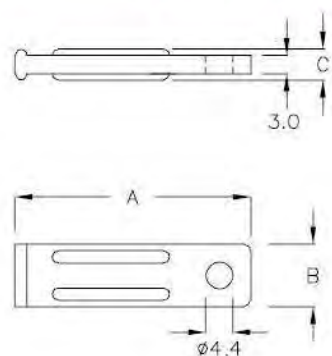
PART NO	A	B	PACKAGE
CH-48	10.0	10.0	200



固定座 EDGE CONNECT BASE ———— | 6-165-2 |

- MATERIAL: NYLON 66(UL)
- FLAME CLASS: 94V-2
- COLOR: NATURAL

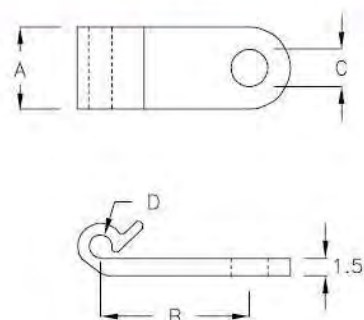
PART NO	A	B	C	PACKAGE
PDB-01	38.0	10.0	5.0	500



電線固定扣 CABLE CLAMP ———— | 6-165-3 |

- MATERIAL: NYLON 66(UL)
- FLAME CLASS: 94V-2
- COLOR: NATURAL

PART NO	A	B	C	D	PACKAGE
PC-01J	7.0	12.8	3.2	2.0	1000
PC-1RL	7.0	12.75	3.2	2.1	

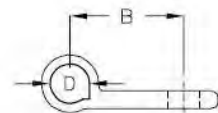
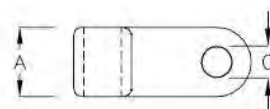




電線固定扣 CABLE CLAMP 6-166-1

- MATERIAL: NYLON 66(UL)
- FLAME CLASS: 94V-2
- COLOR: NATURAL, BLACK

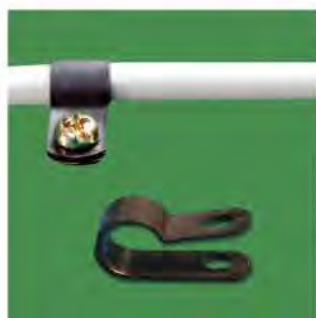
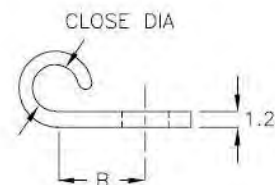
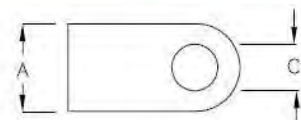
PART NO	A	B	C	D	PACKAGE
PCG-5A	10.0	19.0	∅4.6	∅5.4	500
PCG-5CK	10.0	26.0	∅5.4	∅5.4	
PCG-5NW	9.6	11.6	∅3.5	∅5.35	
PCG-7F	9.5	11.75	∅5.4	∅7.5	



電線固定扣 CABLE CLAMP 6-166-2

- MATERIAL: NYLON 66(UL)
- FLAME CLASS: 94V-2
- COLOR: NATURAL

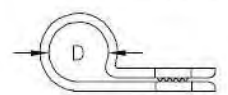
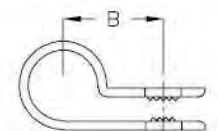
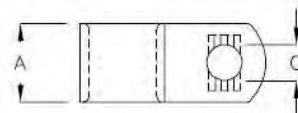
PART NO	A	B	C	CLOSE DIA	PACKAGE
PC-01D	6.6	6.7	∅3.5	∅2.7	2000
PC-1A	6.5	6.7	∅3.4	∅3.4	
PC-2A	8.5	11.4	∅4.4	∅5.0	1000
PC-02D	8.6	13.8	∅4.4	∅5.7	
PC-2Q	7.5	9.3	∅4.1	∅4.0	



電線固定扣 CABLE CLAMP 6-166-3

- MATERIAL: NYLON 66(UL)
- FLAME CLASS: 94V-2
- COLOR: NATURAL, BLACK

PART NO	A	B	C	D CLOSE DIA	PACKAGE
PC-09	9.5	12.2	∅4.4	∅7.5	500
PC-5HM	9.5	11.1	∅4.3	∅5.6	

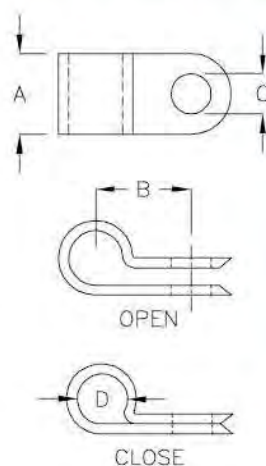




電線固定扣 CABLE CLAMP ————— | 6-167-1 |

- MATERIAL: NYLON 66(UL)
- FLAME CLASS: 94V-2
- COLOR: NATURAL, BLACK

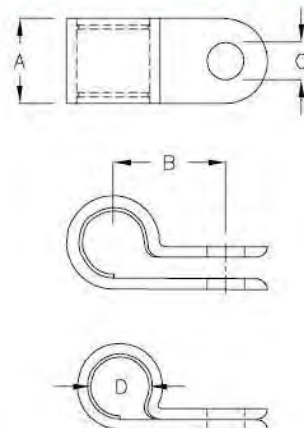
PART NO	A	B	C	D CLOSE DIA	PACKAGE
PC-1	13.5	9.0	ø5.4	ø3.6	1000
PC-1C	9.5	8.3	ø4.4	ø3.0	2000
PC-1K	6.3	9.0	ø3.1	ø3.5	
PC-1Q	6.5	9.5	ø3.1	ø3.0	
PC-1S	6.5	6.7	ø3.5	ø3.1	
PC-2	10.2	11.5	ø4.0	ø5.0	1000
PC-2H	9.7	11.7	ø4.1	ø4.5	
PC-2K	12.7	10.7	ø5.2	ø5.7	
PC-2L	9.6	12.1	ø5.0	ø7.3	
PC-2M	9.8	12.1	ø5.1	ø6.1	
PC-2S	9.8	12.0	ø5.1	ø6.9	
PC-3	10.0	11.9	ø4.3	ø5.6	500
PC-3K	9.0	11.35	ø3.5	ø5.7	
PC-3M	8.3	9.8	ø4.0	ø5.0	
PC-4	9.7	12.1	ø4.1	ø8.3	
PC-5	12.4	13.4	ø5.0	ø8.8	
PC-05C	9.5	12.0	ø3.2	ø8.3	
PC-5F	9.5	16.0	ø4.1	ø8.7	
PC-5GW	9.6	12.1	ø4.4	ø5.6	
PC-6	13.5	16.5	ø5.25	ø11.4	
PC-24MT	12.0	21.8	ø5.4	ø25.0	



電線固定扣 CABLE CLAMP ————— | 6-167-2 |

- MATERIAL: NYLON 66(UL)
- FLAME CLASS: 94V-2
- COLOR: NATURAL

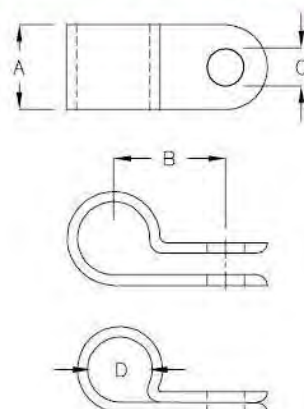
PART NO	A	B	C	D CLOSE DIA	PACKAGE
PC-3L	10.0	10.0	ø4.4	ø5.5	500
PC-03C	9.8	11.3	ø4.2	ø6.9	
PC-02C	9.8	12.0	ø4.2	ø7.7	
PC-6M	10.0	15.1	ø4.0	ø11.0	



電線固定扣 CABLE CLAMP ————— | 6-167-3 |

- MATERIAL: NYLON 66(UL)
- FLAME CLASS: 94V-2
- COLOR: NATURAL, BLACK

PART NO	A	B	C	D CLOSE DIA	PACKAGE
PC-3KF	9.0	11.35	ø3.5	ø5.7	500



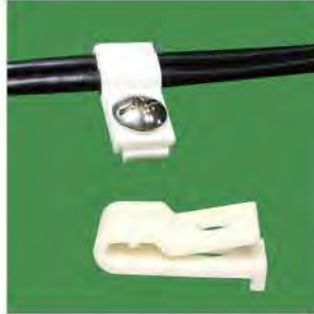
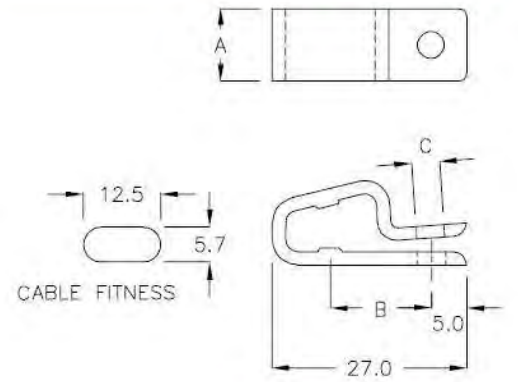


電線固定扣 CABLE CLAMP

- MATERIAL: NYLON 66(UL)
- FLAME CLASS: 94V-2
- COLOR: NATURAL

PART NO	A	B	C	PACKAGE
PL-1	10.0	13.4	∅4.0	500

6-168-1

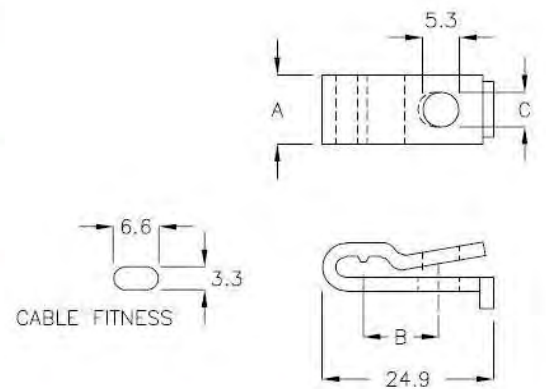


電線固定扣 CABLE CLAMP

- MATERIAL: NYLON 66(UL)
- FLAME CLASS: 94V-2
- COLOR: NATURAL

PART NO	A	B	C	PACKAGE
PL-01A	10.1	11.0	∅5.0	500

6-168-2

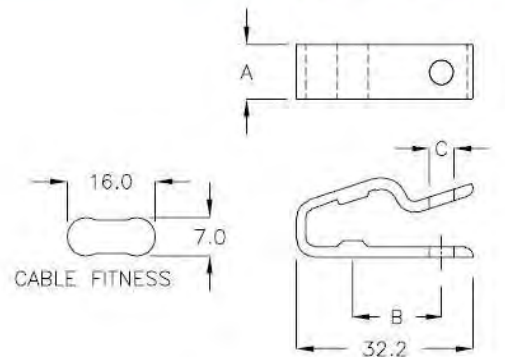


電線固定扣 CABLE CLAMP

- MATERIAL: NYLON 66(UL)
- FLAME CLASS: 94V-0
- COLOR: NATURAL

PART NO	A	B	C	PACKAGE
PL-3	10.0	16.15	∅4.5	500

6-168-3

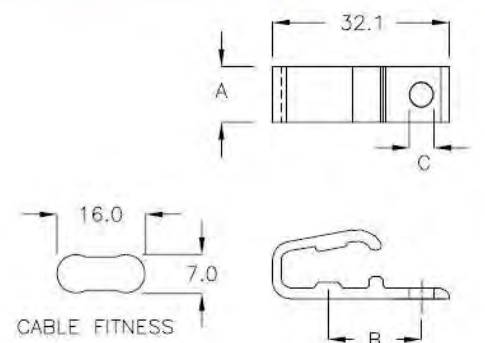


電線固定扣 CABLE CLAMP

- MATERIAL: NYLON 66(UL)
- FLAME CLASS: 94V-0
- COLOR: NATURAL

PART NO	A	B	C	PACKAGE
PL-04	10.0	17.0	∅4.5	500

6-168-4



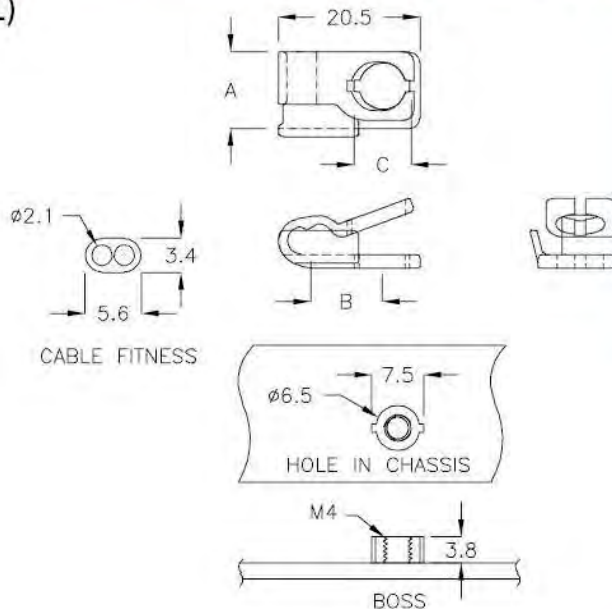


電線固定扣 CABLE CLAMP

6-169-1

- MATERIAL: NYLON 66(UL)
- FLAME CLASS: 94V-2
- COLOR: BLACK

PART NO	A	B	C	PACKAGE
PLA-3F	11.0	9.8	8.0	500

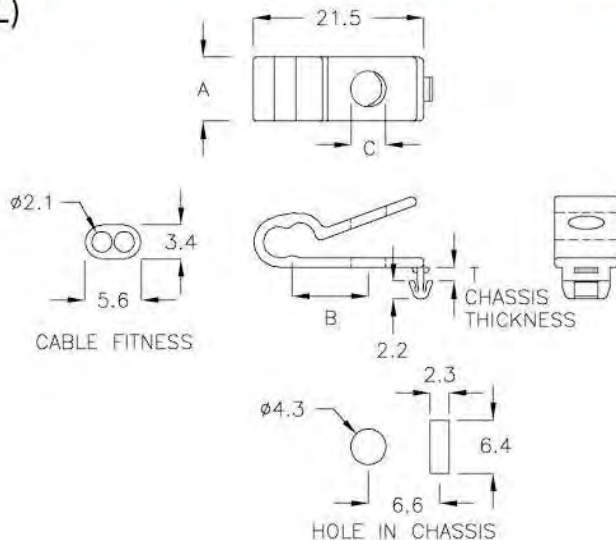


電線固定扣 CABLE CLAMP

6-169-2

- MATERIAL: NYLON 66(UL)
- FLAME CLASS: 94V-2
- COLOR: BLACK

PART NO	A	B	C	T CHASSIS THICKNESS	PACKAGE
PLB-3Q	8.0	9.6	4.3	1.6	500

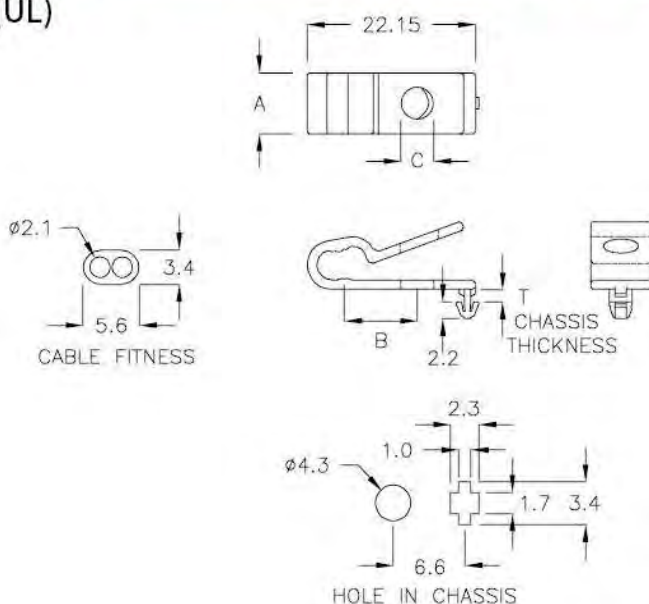


電線固定扣 CABLE CLAMP

6-169-3

- MATERIAL: NYLON 66(UL)
- FLAME CLASS: 94V-2
- COLOR: BLACK

PART NO	A	B	C	T CHASSIS THICKNESS	PACKAG
PLB-3RM	8.0	9.6	4.3	1.1~1.4	500

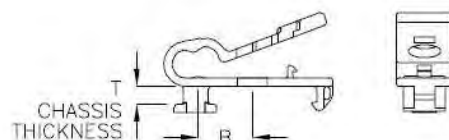
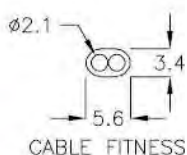
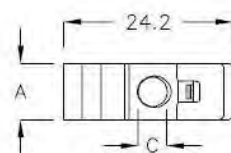




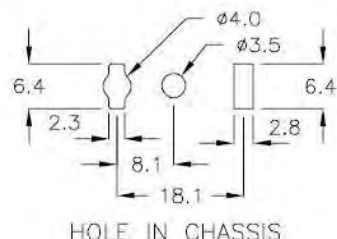
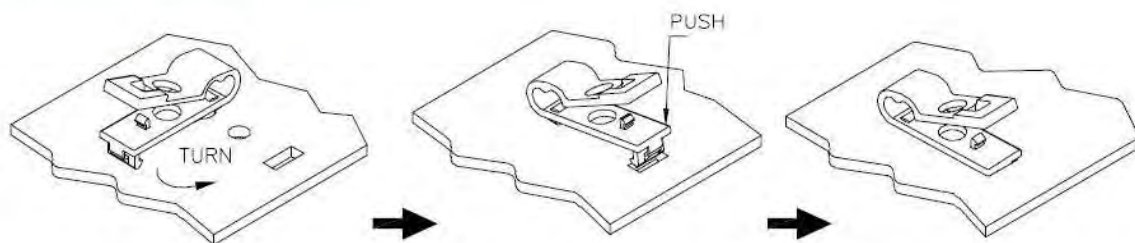
電線固定扣 CABLE CLAMP

6-170-1

- MATERIAL: NYLON 66(UL)
- FLAME CLASS: 94V-2
- COLOR: BLACK



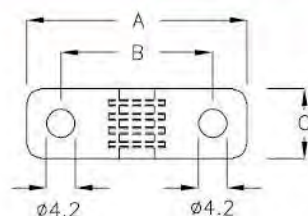
PART NO	A	B	C	T CHASSIS THICKNESS	PACKAGE
PLC-3KF	8.0	7.8	$\phi 4.3$	2.0	500



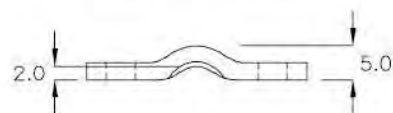
電線固定座 WIRE MOUNT

6-170-2

- MATERIAL: NYLON 66(UL)
- FLAME CLASS: 94V-2
- COLOR: NATURAL



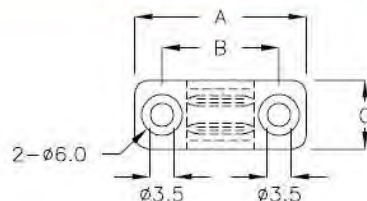
PART NO	A	B	C	PACKAGE
PCT-01	32.0	22.0	10.0	500



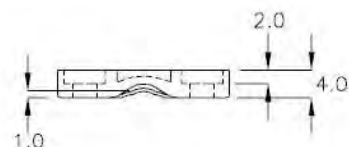
電線固定座 WIRE MOUNT

6-170-3

- MATERIAL: NYLON 66(UL)
- FLAME CLASS: 94V-2
- COLOR: BLACK



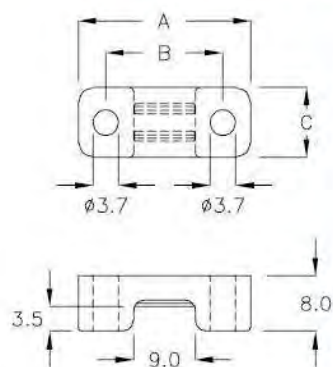
PART NO	A	B	C	PACKAGE
PCT-06	25.0	17.0	10.0	500





電線固定座 WIRE MOUNT | 6-171-1 |

- MATERIAL: NYLON 66(UL)
- FLAME CLASS: 94V-2
- COLOR: BLACK

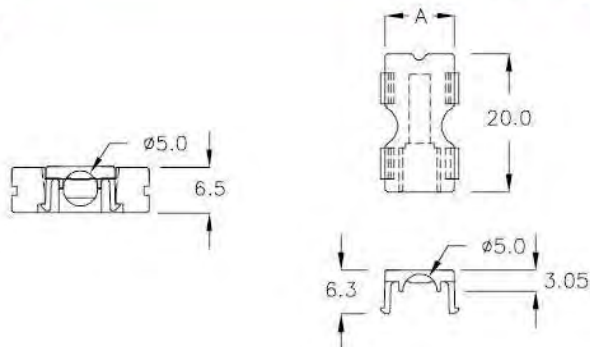


PART NO	A	B	C	PACKAGE
PCT-03	25.0	17.0	10.0	500



電線固定座 WIRE MOUNT | 6-171-2 |

- MATERIAL: NYLON 66(UL)
- FLAME CLASS: 94V-2
- COLOR: BLACK



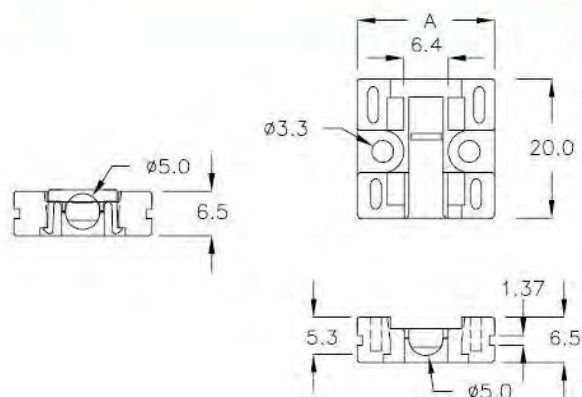
PART NO	A	PACKAGE
PCU-1A	10.0	500

ASSEMBLE WITH P.G PART PCW-01 (Page 6-171-3)



電線固定座 WIRE MOUNT | 6-171-3 |

- MATERIAL: NYLON 66(UL)
- FLAME CLASS: 94V-2
- COLOR: BLACK



PART NO	A	PACKAGE
PCW-01	20.0	500

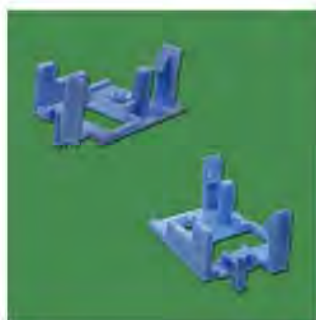
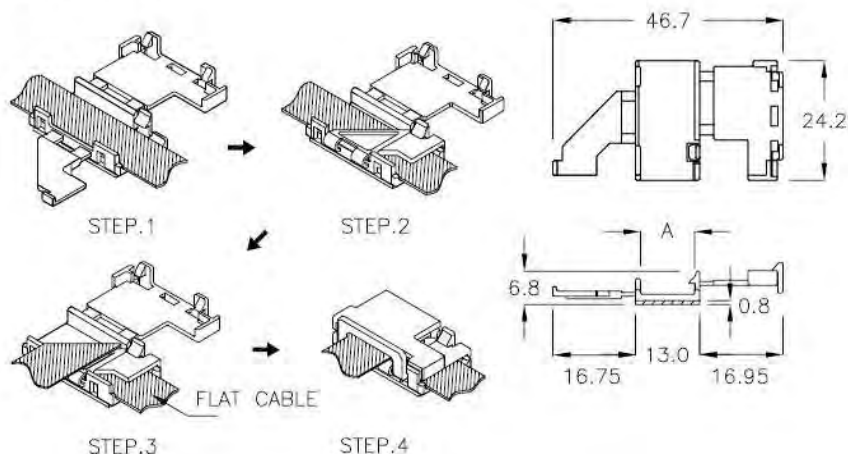
ASSEMBLE WITH P.G PART PCU-1A (Page 6-171-2)



PART NO	A	PACKAGE
DFB-11	11.0	100

排線固定座 FLAT CABLE MOUNT ———— 6-172-1

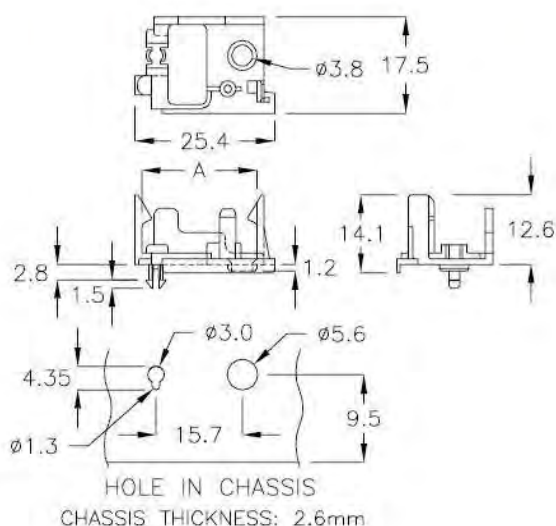
- MATERIAL: NYLON 66(UL)
- FLAME CLASS: 94V-2
- COLOR: BLACK
- ADHESIVE TAPE: 3M



PART NO	A	PACKAGE
DFQ-21CA	21.0	500

排線固定座 FLAT CABLE MOUNT ———— 6-172-2

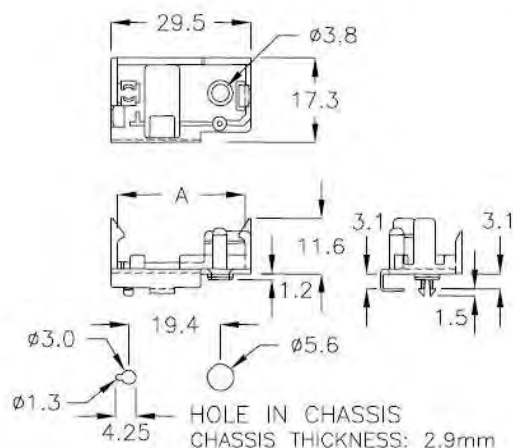
- MATERIAL: NYLON 66(UL)
- FLAME CLASS: 94V-0
- COLOR: BLUE



PART NO	A	PACKAGE
DFQ-27MJ	26.9	500

排線固定座 FLAT CABLE MOUNT ———— 6-172-3

- MATERIAL: NYLON 66(UL)
- FLAME CLASS: 94V-0
- COLOR: BLUE

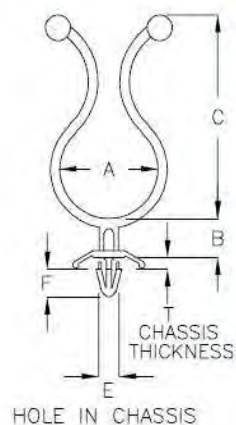




隔離束線座 WIRE CLIP

6-119-1

- MATERIAL: NYLON 66(UL)
- FLAME CLASS: 94V-2
- COLOR: NATURAL



WITH LOCK FEATURE

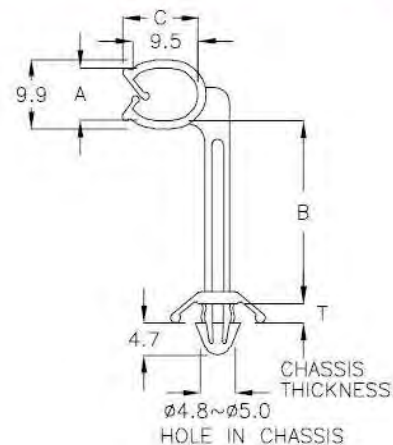
PART NO	A	B	C	CLOSE A	T CHASSIS THICKNESS	E HOLE IN CHASSIS	F	PACKAGE
TB20-8	20.6	8.1	42.0	∅18.5	1.0~2.0	∅3.5	6.0	500
TB8-8	9.5	8.0	23.3	∅7.7	0.8~2.4	∅3.0	3.7	



隔離束線座 WIRE SADDLE

6-119-2

- MATERIAL: NYLON 66(UL)
- FLAME CLASS: 94V-2
- COLOR: NATURAL



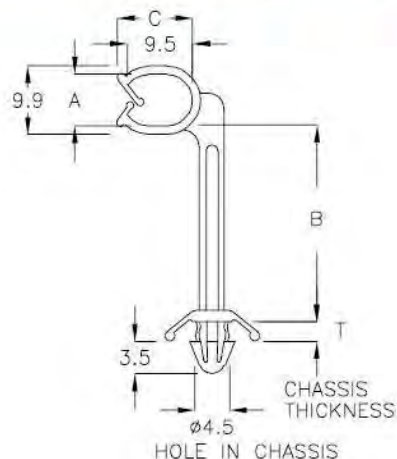
PART NO	A	B	C	T CHASSIS THICKNESS	PACKAGE
TUA-34	7.5	34.2	11.0	0.5~2.1	500



隔離束線座 WIRE SADDLE

6-119-3

- MATERIAL: NYLON 66(UL)
- FLAME CLASS: 94V-2
- COLOR: NATURAL



PART NO	A	B	C	T CHASSIS THICKNESS	PACKAGE
TUA-40	7.5	34.0	11.0	0.8~1.6	500

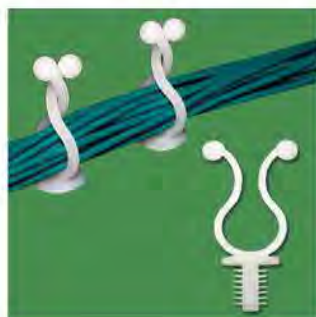
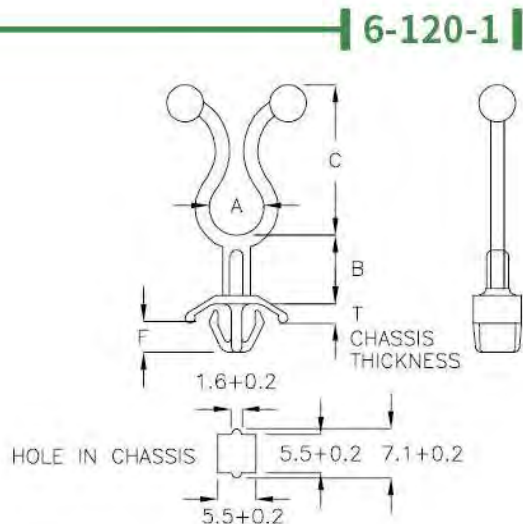


隔離束線座 WIRE CLIP

- MATERIAL: NYLON 66(UL)
- FLAME CLASS: 94V-2
- COLOR: NATURAL

Built-In Anti-Spin Function WITH LOCK FEATURE

PART NO	A	B	C	CLOSE A	T CHASSIS THICKNESS	F	PACKAGE
TD5-36	5.4	36.5	18.4	∅4.5	0.8~1.2	3.8	1000
TD8-3	8.0	3.2	21.7	∅6.7	0.8~1.4	5.3	
TD12-3	11.8	3.3	29.0	∅10.6	0.8~1.4	5.3	
TD11-20A	11.5	19.9	28.2	∅10.0	0.8~2.2	3.6	500

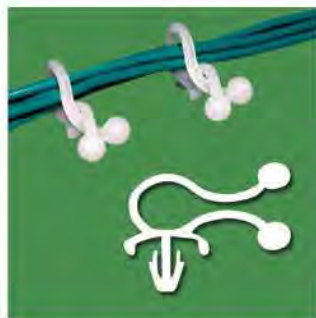
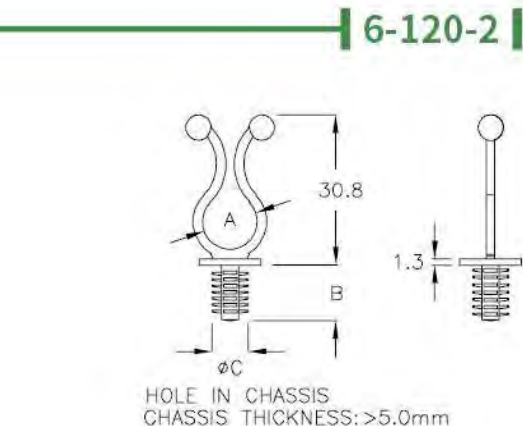


隔離束線座 WIRE CLIP

- MATERIAL: NYLON 66(UL)
- FLAME CLASS: 94V-2
- COLOR: NATURAL

WITH LOCK FEATURE

PART NO	A	B	C	CLOSE A	PACKAGE
TG12-03	11.8	11.5	6.35	∅10.5	500

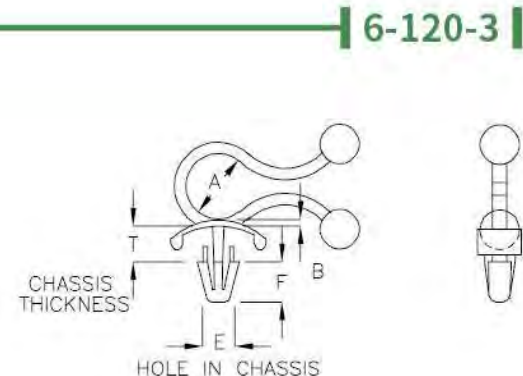


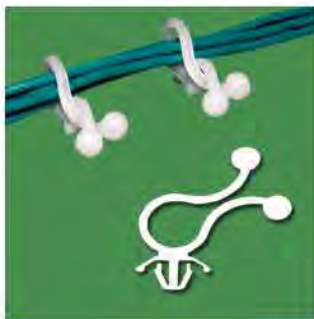
隔離束線座 WIRE CLIP

- MATERIAL: NYLON 66(UL)
- FLAME CLASS: 94V-2
- COLOR: NATURAL

WITH LOCK FEATURE

PART NO	A	B	CLOSE A	T CHASSIS THICKNESS	E	F	PACKAGE
TDY8-1	8.2	1.0	∅7.0	2.7~3.9	∅4.0	5.1	1000
TDY8-1A	8.3	1.0	∅7.1	0.8~2.1	∅3.0	3.7	
TDY8-1C	8.2	1.0	∅7.1	0.8~2.3	∅4.5	4.9	





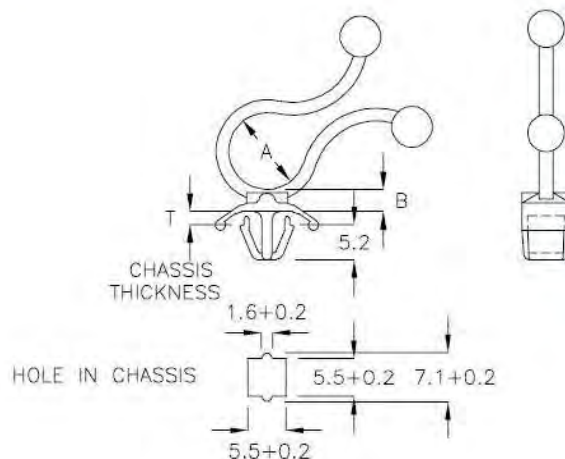
隔離束線座 WIRE CLIP

6-121-1

- MATERIAL: NYLON 66(UL)
- FLAME CLASS: 94V-2
- COLOR: NATURAL

Built-In Anti-Spin Function
WITH LOCK FEATURE

PART NO	A	B	CLOSE A	T CHASSIS THICKNESS	PACKAGE
TDY11-3	11.0	3.2	∅9.6	0.8~1.2	500



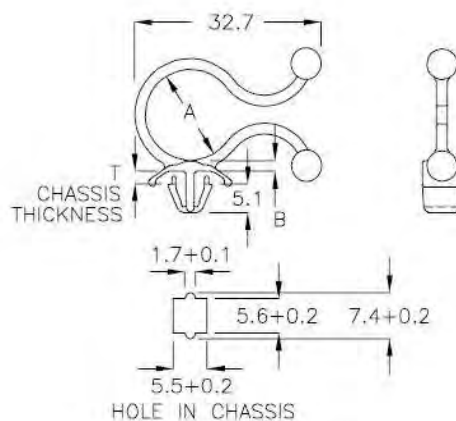
隔離束線座 WIRE CLIP

6-121-2

- MATERIAL: NYLON 66(UL)
- FLAME CLASS: 94V-2
- COLOR: NATURAL

Built-In Anti-Spin Function
WITH LOCK FEATURE

PART NO	A	B	CLOSE A	T CHASSIS THICKNESS	PACKAGE
TDR16-1K	16.2	1.9	∅14.5	1.2~1.5	500



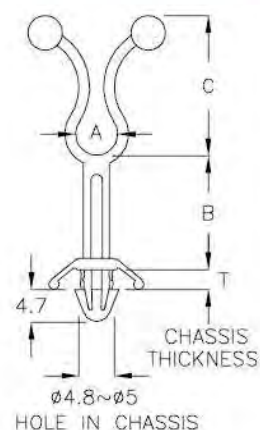
隔離束線座 WIRE SADDLE

6-121-3

- MATERIAL: NYLON 66(UL)
- FLAME CLASS: 94V-2
- COLOR: NATURAL

RU[®] E154548(S)
WITH LOCK FEATURE

PART NO	A	B	C	CLOSE DIA	T CHASSIS THICKNESS	PACKAGE
TK6-34	6.1	34.0	20.2	∅5.1	0.5~2.3	500

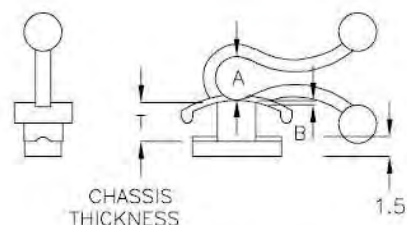




隔離束線座 WIRE CLIP

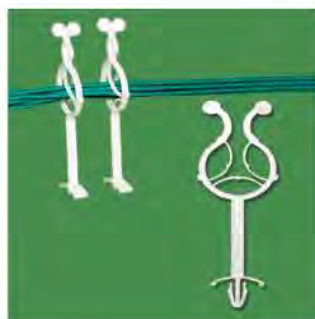
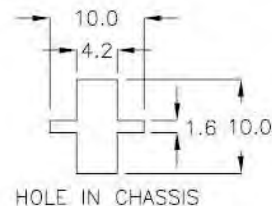
6-122-1

- MATERIAL: NYLON 66(UL)
- FLAME CLASS: 94V-2
- COLOR: NATURAL



Insert With 90 Degree Angle
And Press Down
WITH LOCK FEATURE

PART NO	A	B	CLOSE DIA	T CHASSIS THICKNESS	PACKAGE
TEY4-1	4.5	0.25	ø3.7	2.7~3.7	1000



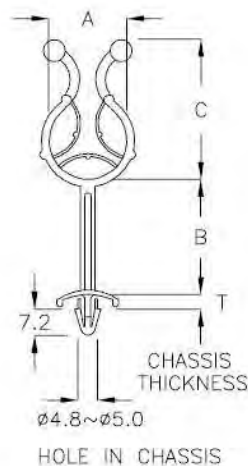
隔離束線座 WIRE CLIP

6-122-2

- MATERIAL: NYLON 66(UL)
- FLAME CLASS: 94V-2
- COLOR: NATURAL

WITH LOCK FEATURE

PART NO	A	B	C	MAX BUNDLE DIA	T CHASSIS THICKNESS	PACKAGE
TE21-04	20.5	4.0	37.2	ø14.5	1.0~3.1	500
TE21-32	20.5	32.1	37.2	ø14.5	1.0~3.1	
TE21-40	20.5	40.1	37.2	ø14.5	1.0~3.1	

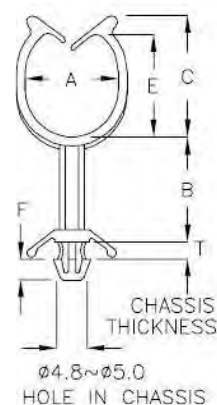


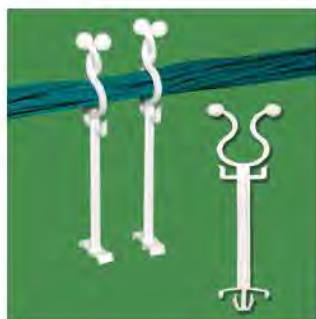
隔離束線座 WIRE SADDLE

6-122-3

- MATERIAL: NYLON 66(UL)
- FLAME CLASS: 94V-0
- COLOR: NATURAL

PART NO	A	B	C	E	T CHASSIS THICKNESS	F	PACKAGE
TU14-7	14.5	7.0	19.5	16.2	0.5~2.0	3.4	500
TU14-12	14.8	12.0	19.5	16.7	0.5~2.3	2.8	
TU14-17	14.8	16.8	19.5	16.2	0.5~2.3	3.5	
TU14-25	14.8	25.0	19.5	16.2	0.5~2.3	3.5	
TU14-27	14.8	26.8	19.5	16.2	0.5~2.3	3.6	
TU14-37	14.8	36.8	19.5	16.2	0.5~2.3	3.5	

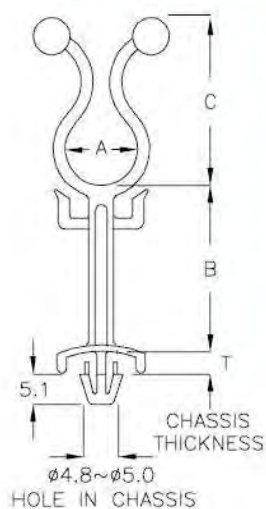




隔離束線座 WIRE SADDLE

6-123-1

- MATERIAL: NYLON 66(UL)
- FLAME CLASS: 94V-0
- COLOR: NATURAL



WITH LOCK FEATURE

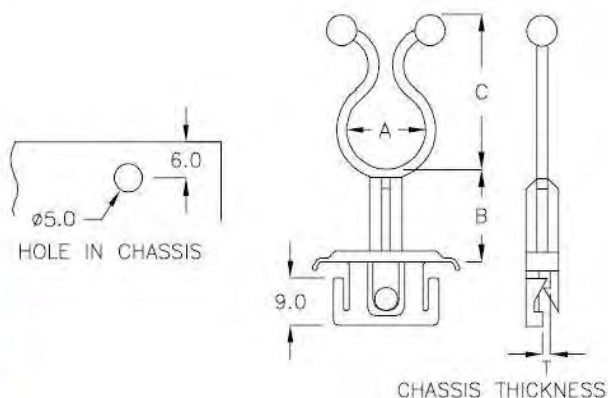
PART NO	A	B	C	CLOSE DIA	T CHASSIS THICKNESS	PACKAGE
TX11-52	11.8	52.5	26.6	φ10.2	0.3~2.5	500



隔離束線座 WIRE SADDLE

6-123-2

- MATERIAL: NYLON 66(UL)
- FLAME CLASS: 94V-2
- COLOR: NATURAL



WITH LOCK FEATURE

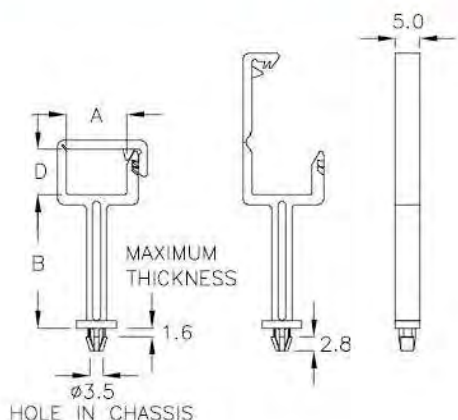
PART NO	A	B	C	T CHASSIS THICKNESS	CLOSE DIA	PACKAGE
TT15-10	14.9	10.0	29.2	1.6~2.0	φ13.3	500
TT15-10A	14.9	10.0	29.2	2.1~2.5		
TT15-17	14.9	17.4	29.2	1.6~2.0		



隔離束線座 WIRE SADDLE

6-123-3

- MATERIAL: NYLON 66(UL)
- FLAME CLASS: 94V-2
- COLOR: NATURAL



WITH LOCK FEATURE

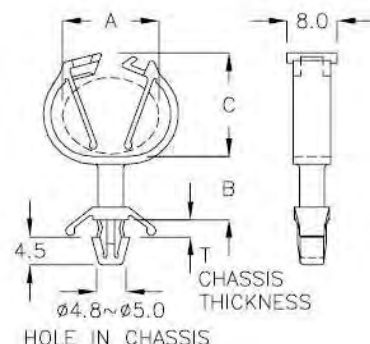
PART NO	A	B	D	PACKAGE
CHB-26A	12.1	26.7	9.1	500



隔離束線座 WIRE SADDLE

6-124-1

- MATERIAL: NYLON 66(UL)
- FLAME CLASS: 94V-0
- COLOR: NATURAL



WITH LOCK FEATURE

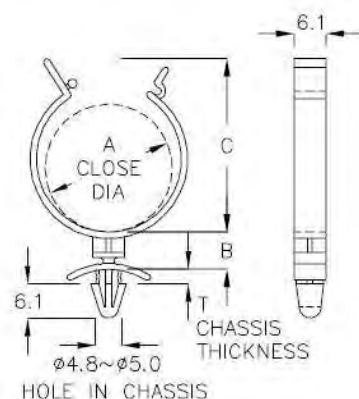
PART NO	A SUITABLE BUNDLE DIA	B	C	T CHASSIS THICKNESS	PACKAGE
TUT-10	φ9.0~φ12.5	10.0	15.6	0.5~2.3	500



隔離束線座 WIRE SADDLE

6-124-2

- MATERIAL: NYLON 66(UL)
- FLAME CLASS: 94V-2
- COLOR: NATURAL



WITH LOCK FEATURE

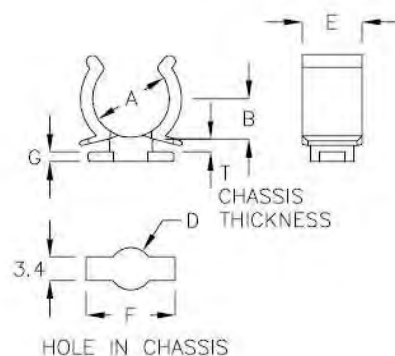
PART NO	A CLOSE DIA	B	C	T CHASSIS THICKNESS	PACKAGE
TC20-6	φ20.5	6.55	29.7	0.8~2.0	200



電線固定座 WIRE MOUNT

6-124-3

- MATERIAL: NYLON 66(UL)
- FLAME CLASS: 94V-2
- COLOR: BLACK



Insert With 90 Degree Angle
And Press Down

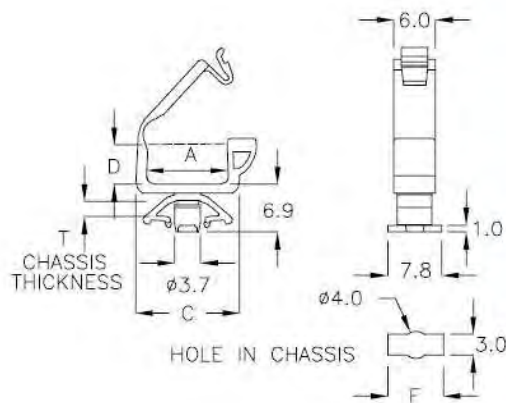
PART NO	A	B	D HOLE IN CHASSIS	E	F	G	T CHASSIS THICKNESS	PACKAGE
CHQ-03	φ3.1	3.2	φ4.2	5.6	10.1	1.3	1.2	2000
CHQ-07	φ7.3	4.2	φ5.2	7.0	10.4	1.3	1.2	
CHQ-08	φ7.9	4.3	φ5.2	7.0	10.4	1.3	1.2	
CHQ-9	φ8.5	4.7	φ5.2	7.0	10.4	1.05	1.2	1000
CHQ-11	φ10.7	5.3	φ5.2	7.0	10.4	1.3	1.3	



隔離束線座 WIRE SADDLE

6-125-1

- MATERIAL: NYLON 66(UL)
- FLAME CLASS: 94V-2
- COLOR: NATURAL



INSERT WITH 90 DEGREE ANGLE
AND PRESS DOWN
WITH LOCK FEATURE

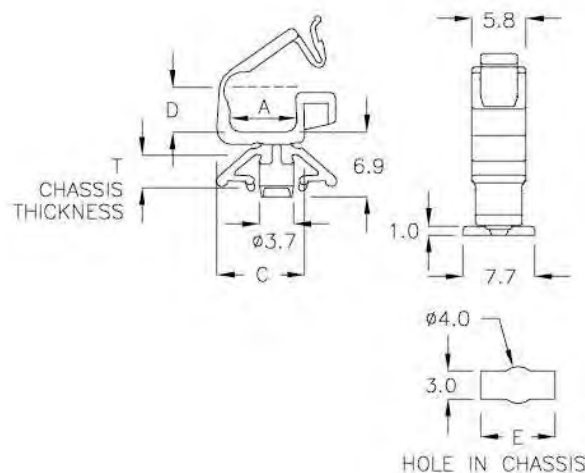
PART NO	A	C	D	E	T CHASSIS THICKNESS	PACKAGE
CKB-7A	11.0	15.0	7.0	8.2	1.6	500
CKB-10A	16.0	19.8	10.0	8.0	0.8	



隔離束線座 WIRE SADDLE

6-125-2

- MATERIAL: NYLON 66(UL)
- FLAME CLASS: 94V-2
- COLOR: NATURAL



INSERT WITH 90 DEGREE ANGLE
AND PRESS DOWN
WITH LOCK FEATURE

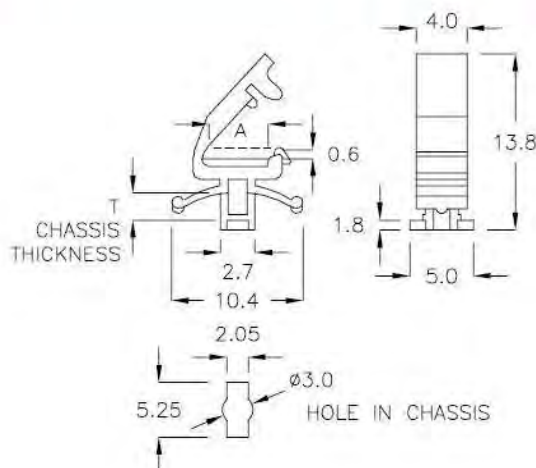
PART NO	A	C	D	E	T CHASSIS THICKNESS	PACKAGE
CKB-4JH	7.2	9.4	4.8	8.0	1.0~1.6	1000



隔離束線座 WIRE SADDLE

6-125-3

- MATERIAL: NYLON 66(UL)
- FLAME CLASS: 94V-2
- COLOR: NATURAL



INSERT WITH 90 DEGREE ANGLE
AND PRESS DOWN
WITH LOCK FEATURE

PART NO	A	T CHASSIS THICKNESS	PACKAGE
CKA-2A	4.0	1.0	2000



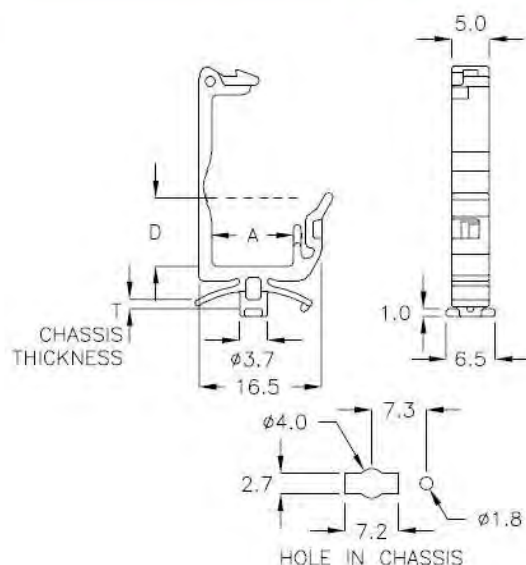
隔離束線座 WIRE SADDLE

6-126-1

- MATERIAL: NYLON 66(UL)
- FLAME CLASS: 94V-2
- COLOR: NATURAL

INSERT WITH 90 DEGREE ANGLE
AND PRESS DOWN
WITH LOCK FEATURE

PART NO	A	D	T CHASSIS THICKNESS	PACKAGE
CKN-11Y	10.9	9.2	0.8~1.6	500



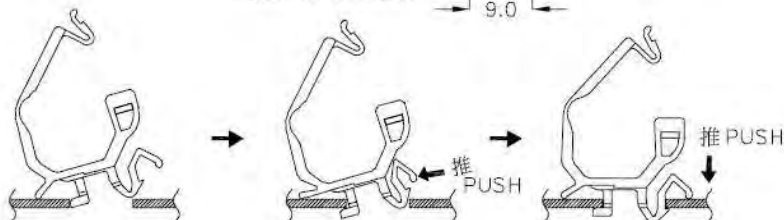
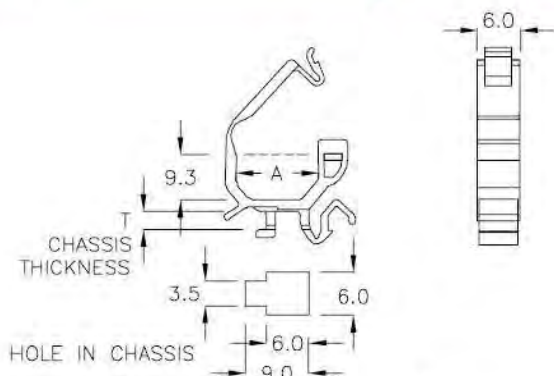
電線固定座 WIRE MOUNT

6-126-2

- MATERIAL: NYLON 66(UL)
- FLAME CLASS: 94V-2
- COLOR: NATURAL

WITH LOCK FEATURE

PART NO	A	T CHASSIS THICKNESS	PACKAGE
CKX-11A	11.8	1.2~1.6	500



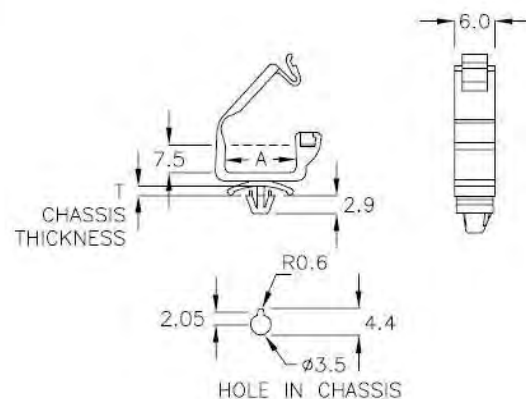
電線固定座 WIRE MOUNT

6-126-3

- MATERIAL: NYLON 66(UL)
- FLAME CLASS: 94V-2
- COLOR: NATURAL

Build-In Anti-Spin Function
WITH LOCK FEATURE

PART NO	A	T CHASSIS THICKNESS	PACKAGE
CKY-11A	11.9	0.8~1.0	500





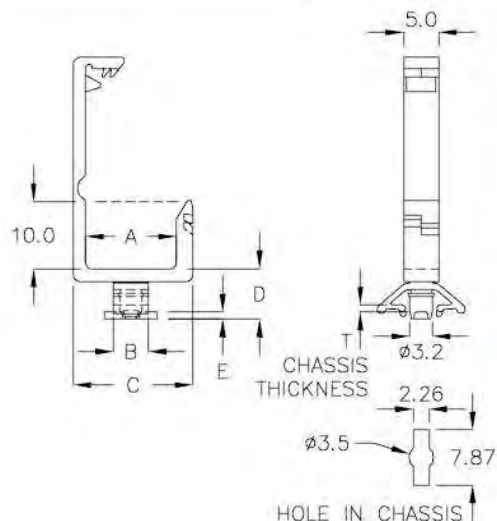
隔離束線座 WIRE SADDLE

6-127-1

- MATERIAL: NYLON 66(UL)
- FLAME CLASS: 94V-2
- COLOR: NATURAL, BLACK

Insert With 90 Degree Angle
And Press Down
WITH LOCK FEATURE

PART NO	A	B	C	D	E	T CHASSIS THICKNESS	PACKAGE
CMG-10	13.0	5.0	17.2	7.15	1.0	0.6~1.0	500
CMG-24J	24.0	9.0	28.2	7.35	1.2	0.8~1.0	



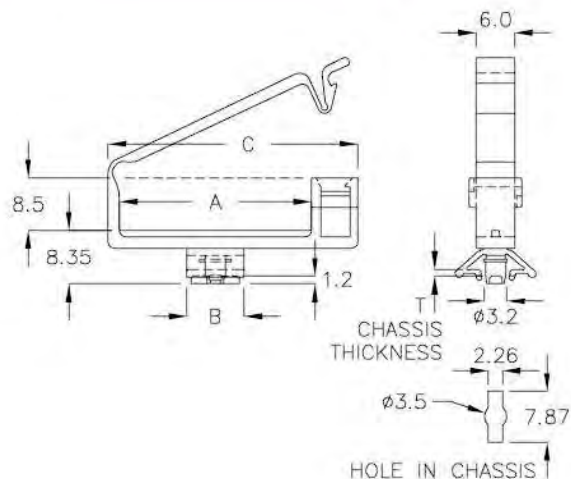
隔離束線座 WIRE SADDLE

6-127-2

- MATERIAL: NYLON 66(UL)
- FLAME CLASS: 94V-2
- COLOR: BLACK

Insert With 90 Degree Angle
And Press Down
WITH LOCK FEATURE

PART NO	A	B	C	T CHASSIS THICKNESS	PACKAGE
CMGA-30	30.0	9.0	39.1	0.8~1.0	200

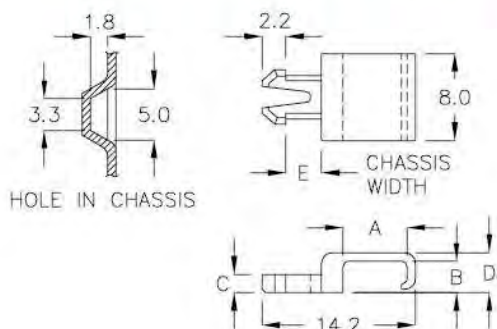


電線固定座 WIRE MOUNT

6-127-3

- MATERIAL: NYLON 66(UL)
- FLAME CLASS: 94V-2
- COLOR: NATURAL

PART NO	A	B	C	D	E CHASSIS WIDTH	PACKAGE
CKT-1A	5.9	2.9	1.7	3.7	3.1	1000
CKT-1C	5.9	2.7	1.7	3.5	3.1	

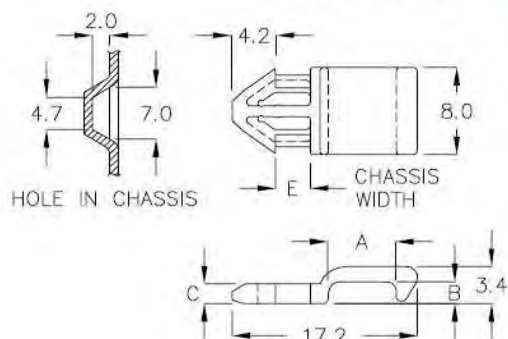




電線固定座 WIRE MOUNT

- MATERIAL: NYLON 66(UL)
- FLAME CLASS: 94V-2
- COLOR: NATURAL

6-128-1



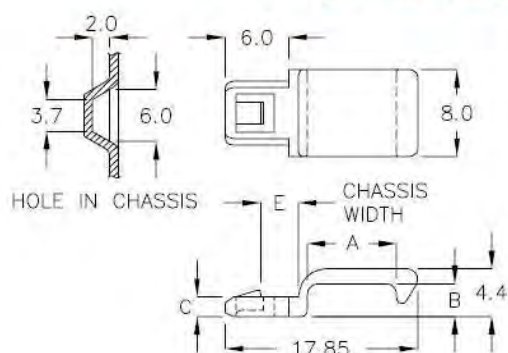
PART NO	A	B	C	E CHASSIS WIDTH	PACKAGE WIDTH
CKT-03	6.3	2.0	1.8	3.0	1000



電線固定座 WIRE MOUNT

- MATERIAL: NYLON 66(UL)
- FLAME CLASS: 94V-2
- COLOR: NATURAL

6-128-2



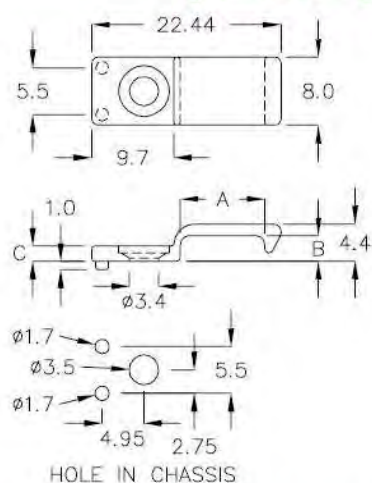
PART NO	A	B	C	E CHASSIS WIDTH	PACKAGE WIDTH
CKT-04	8.3	3.0	1.8	3.0	1000



電線固定座 WIRE MOUNT

- MATERIAL: NYLON 66(UL)
- FLAME CLASS: 94V-0
- COLOR: BLACK
- WITH M3 COUNTERSUNK SCREW

6-128-3



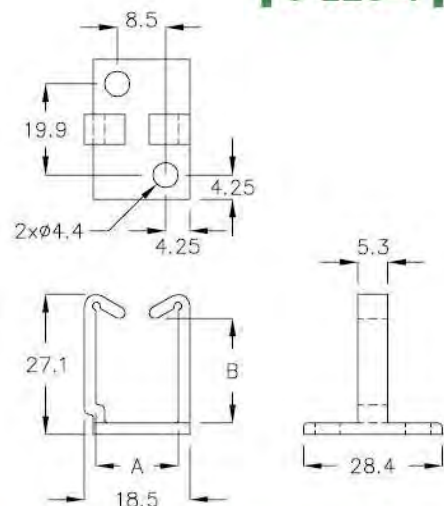
PART NO	A	B	C	PACKAGE
CKTW-10	10.0	3.0	1.8	1000



隔離束線座 WIRE SADDLE

- MATERIAL: NYLON 66(UL)
- FLAME CLASS: 94V-0
- COLOR: BLACK
- WITH M4 SCREW

6-128-4



NEW

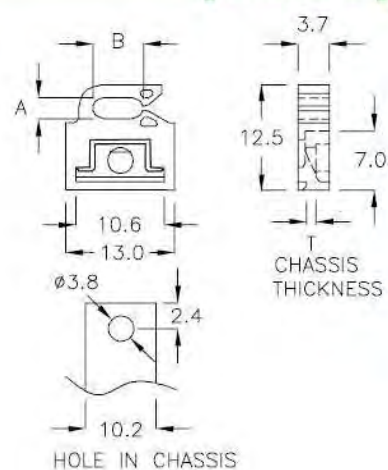
PART NO	A	B	PACKAGE
★ ABP-13C	14.5	20.9	200



隔離束線座 WIRE SADDLE

- MATERIAL: NYLON 66(UL)
- FLAME CLASS: 94V-2
- COLOR: BLACK

6-129-1



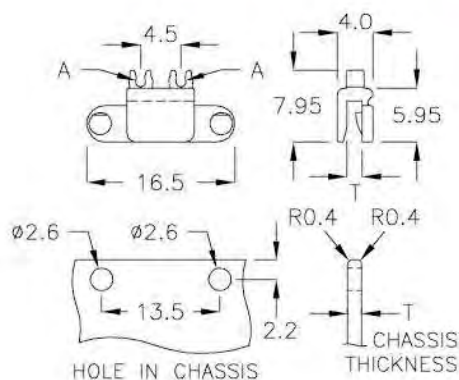
PART NO	A	B	T CHASSIS THICKNESS	PACKAGE
CTR-01	2.5	6.0	1.2~1.3	2000



隔離束線座 WIRE SADDLE

- MATERIAL: NYLON 66(UL)
- FLAME CLASS: 94V-2
- COLOR: BLACK

6-129-2



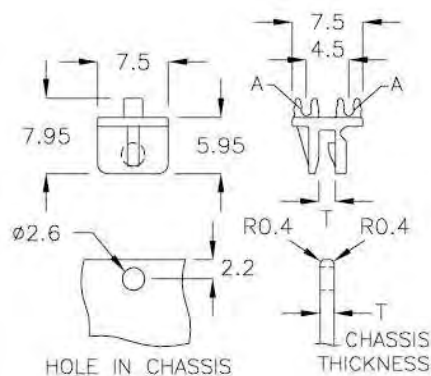
PART NO	A	T CHASSIS THICKNESS	PACKAGE
CMM-1AS	φ1.1	1.6	1000



隔離束線座 WIRE SADDLE

- MATERIAL: NYLON 66(UL)
- FLAME CLASS: 94V-2
- COLOR: NATURAL

6-129-3



PART NO	A	T CHASSIS THICKNESS	PACKAGE
CMQ-1TJ	φ1.1	1.6	2000

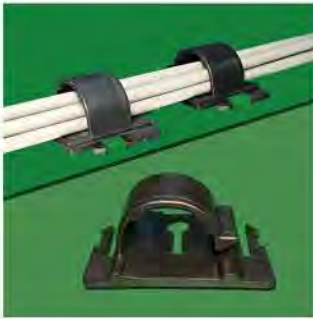
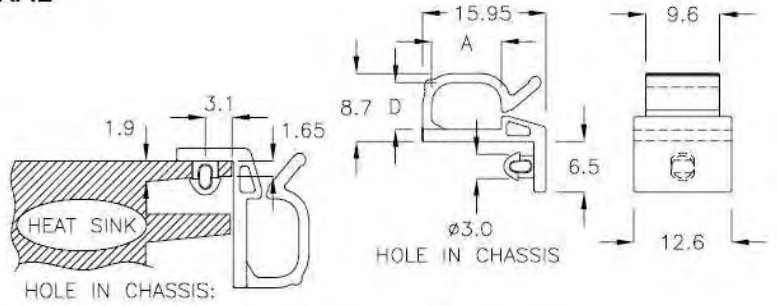


電線固定座 WIRE MOUNT

6-130-1

- MATERIAL: NYLON 66(UL)
- FLAME CLASS: 94V-2
- COLOR: NATURAL

PART NO	A	D	PACKAGE
FAM-16	9.0	6.0	500

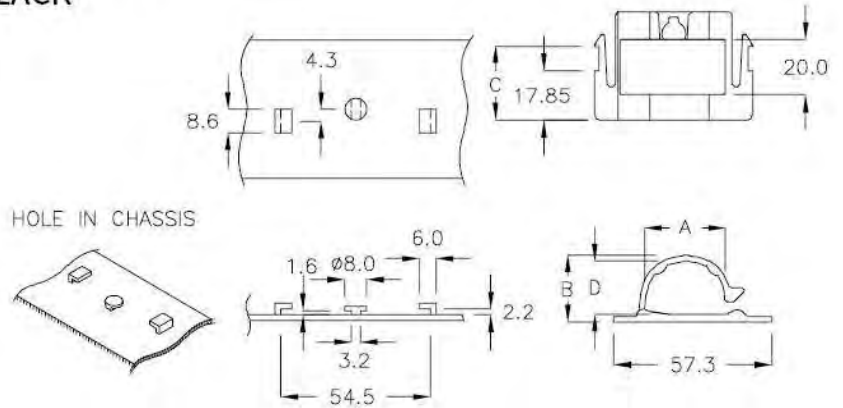


電線固定座 WIRE MOUNT

6-130-2

- MATERIAL: NYLON 66(UL)
- FLAME CLASS: 94V-2
- COLOR: BLACK

PART NO	A	B	C	D	PACKAGE
FWJ-01	28.6	24.0	26.5	19.1	100

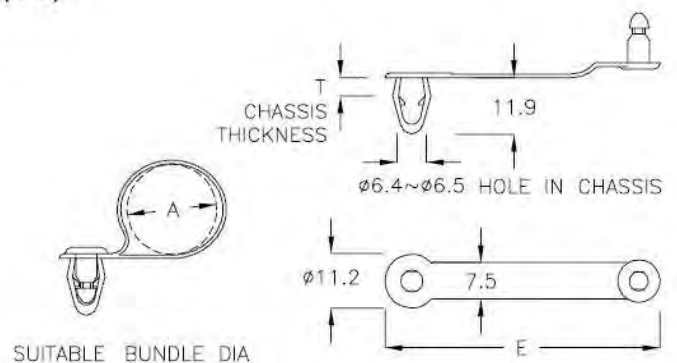


電線固定座 WIRE MOUNT

6-130-3

- MATERIAL: NYLON 66(UL)
- FLAME CLASS: 94V-2
- COLOR: NATURAL

PART NO	A SUITABLE BUNDLE DIA	E	T CHASSIS THICKNESS	PACKAGE
PDT-06	φ5.0~φ6.5	47.6	0.8~2.4	500
PDT-08	φ7.0~φ8.5	53.6	0.8~2.4	
PDT-10	φ9.5~φ11.0	57.3	0.8~2.4	

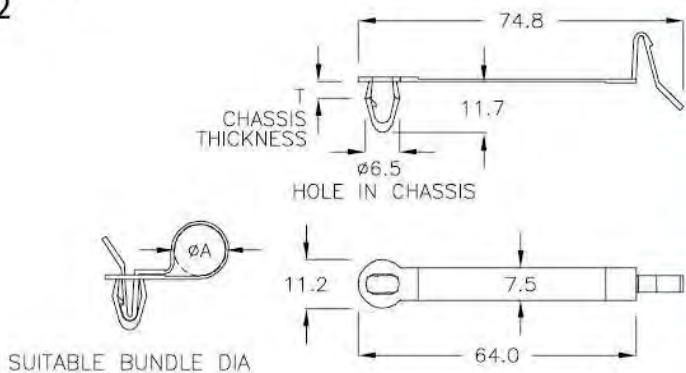




電線固定座 WIRE MOUNT ————— | 6-131-1 |

- MATERIAL: NYLON 66(UL)
- FLAME CLASS: 94V-2
- COLOR: NATURAL

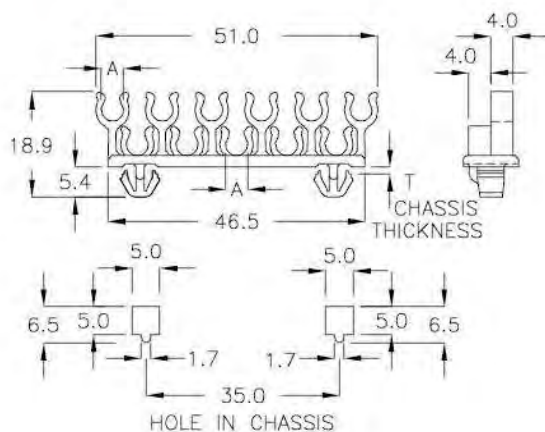
PART NO	A SUITABLE BUNDLE DIA	T CHASSIS THICKNESS	PACKAGE
PDT-1A	∅13.0	0.8~2.4	100



隔離束線座 WIRE SADDLE ————— | 6-131-2 |

- MATERIAL: POM
- FLAME CLASS: 94HB
- COLOR: NATURAL

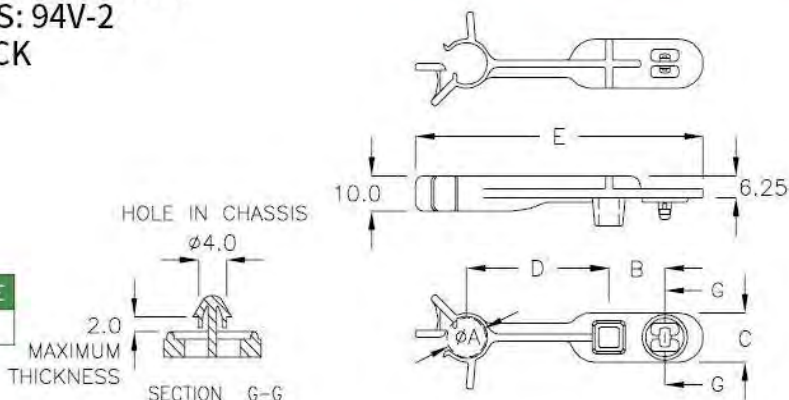
PART NO	A	T CHASSIS THICKNESS	PACKAGE
CTX-46K	4.0	1.0~1.5	200



隔離束線座 WIRE SADDLE ————— | 6-131-3 |

- MATERIAL: NYLON 66(UL)
- FLAME CLASS: 94V-2
- COLOR: BLACK

PART NO	A	B	C	D	E	PACKAGE
FLA-50	9.6	16.0	14.0	40.3	82.3	100



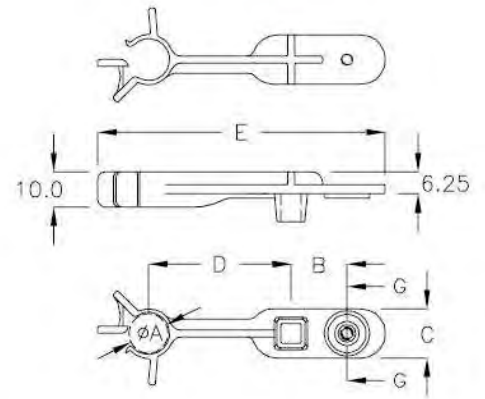
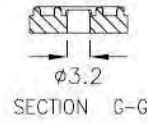


隔離束線座 WIRE SADDLE

6-132-1

- MATERIAL: NYLON 66(UL)
- FLAME CLASS: 94V-2
- COLOR: BLACK

PART NO	A	B	C	D	E	PACKAGE
FLA-50A	9.6	16.0	14.0	40.3	82.3	100



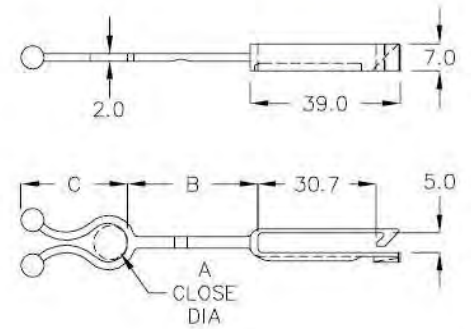
電線固定夾 WIRE CLIP

6-132-2

- MATERIAL: NYLON 66(UL)
- FLAME CLASS: 94V-2
- COLOR: NATURAL

WITH LOCK FEATURE

PART NO	A CLOSE DIA	B	C	PACKAGE
CXT-10	8.8	33.6	27.8	100



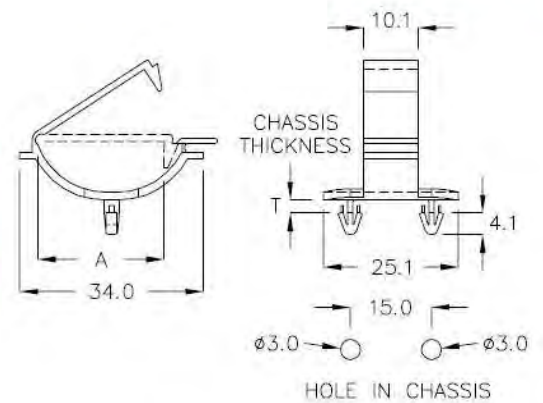
隔離束線座 WIRE MOUNT

6-132-3

- MATERIAL: NYLON 66(UL)
- FLAME CLASS: 94V-2
- COLOR: NATURAL

WITH LOCK FEATURE

PART NO	A	T CHASSIS THICKNESS	PACKAGE
CKK-02	22.8	1.8~2.0	500

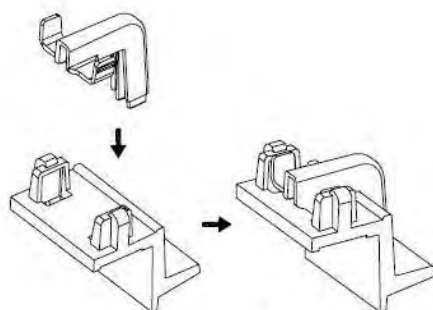




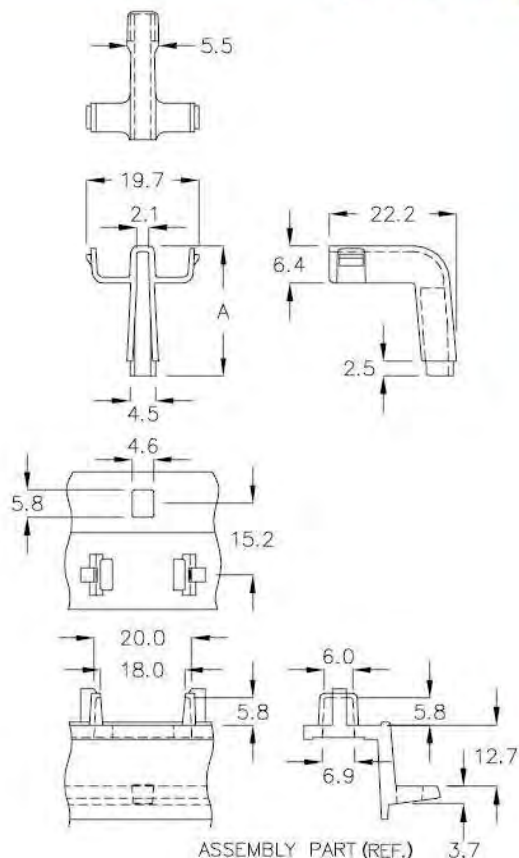
理線座 WIRE MOUNT

- MATERIAL: NYLON 66(UL)
- FLAME CLASS: 94V-2
- COLOR: BLACK

PART NO	A	PACKAGE
DFA-22C	22.5	500



組裝方式

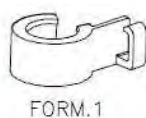


6-133-1



電線固定座 WIRE MOUNT

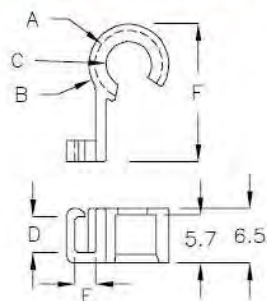
- MATERIAL: NYLON 66(UL)
- FLAME CLASS: 94V-0
- COLOR: BLACK



FORM.1



FORM.2



6-133-2

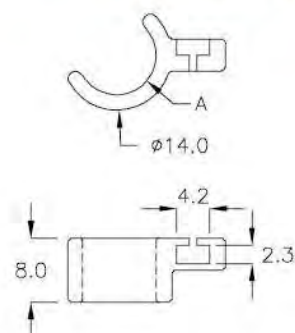
PART NO	A	B	C	D	E	F	FORM	PACKAGE
KYK-08	ø8.1	ø9.7	ø5.5	4.3	2.5	16.5	1	1000
KYK-10A	ø10.1	ø11.9	ø7.7	4.3	2.5	17.6	1	
KYK-11	ø10.1	ø11.9	ø7.7	4.3	2.5	17.6	2	
KYK-14D	ø12.1	ø14.1	ø9.7	4.3	2.5	20.7	2	



電線固定座 WIRE MOUNT

- MATERIAL: NYLON 66(UL)
- FLAME CLASS: 94V-0
- COLOR: NATURAL

PART NO	A	PACKAGE
KYC-10RM	ø10.0	1000



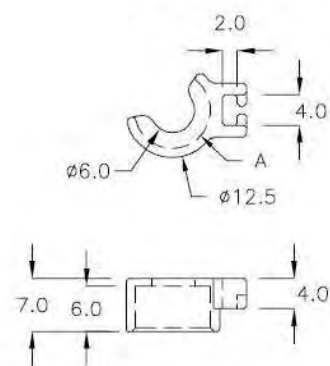
6-133-3



電線固定座 WIRE MOUNT

- MATERIAL: NYLON 66(UL)
- FLAME CLASS: 94V-0
- COLOR: NATURAL

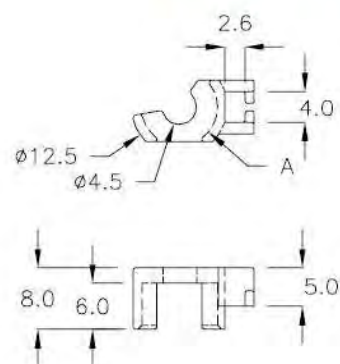
PART NO	A	PACKAGE
KYF-10	ø10.1	1000



電線固定座 WIRE MOUNT

- MATERIAL: NYLON 66(UL)
- FLAME CLASS: 94V-0
- COLOR: NATURAL

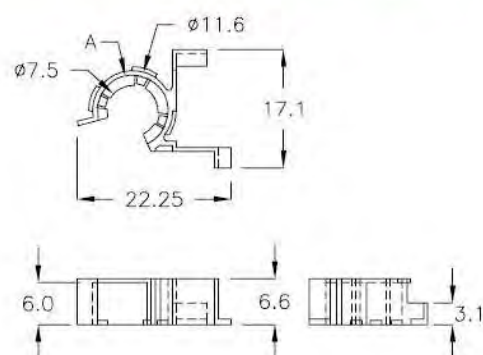
PART NO	A	PACKAGE
KYF-10BQ	ø10.0	1000



電線固定座 WIRE MOUNT

- MATERIAL: NYLON 66(UL)
- FLAME CLASS: 94V-0
- COLOR: BLACK

PART NO	A	PACKAGE
KYM-10TP	ø10.4	1000

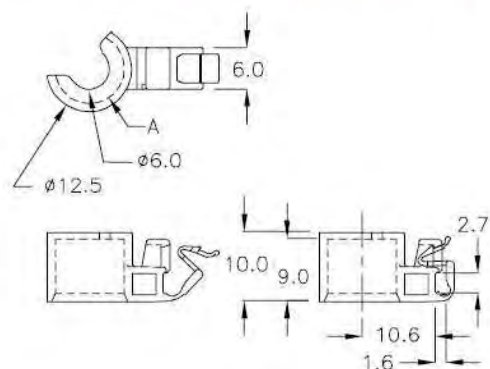


電線固定座 WIRE MOUNT

- MATERIAL: NYLON 66(UL)
- FLAME CLASS: 94V-0
- COLOR: NATURAL

WITH LOCK FEATURE

PART NO	A	PACKAGE
KYR-10C	ø10.1	1000





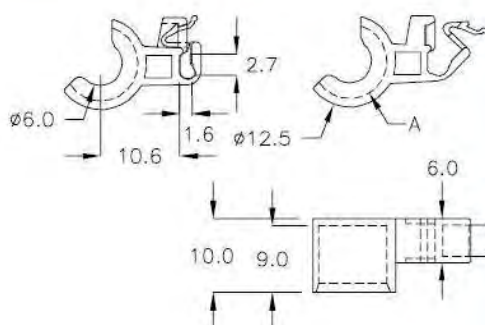
電線固定座 WIRE MOUNT

6-135-1

- MATERIAL: NYLON 66(UL)
- FLAME CLASS: 94V-0
- COLOR: NATURAL

WITH LOCK FEATURE

PART NO	A	PACKAGE
KYR-10DA	∅10.1	1000



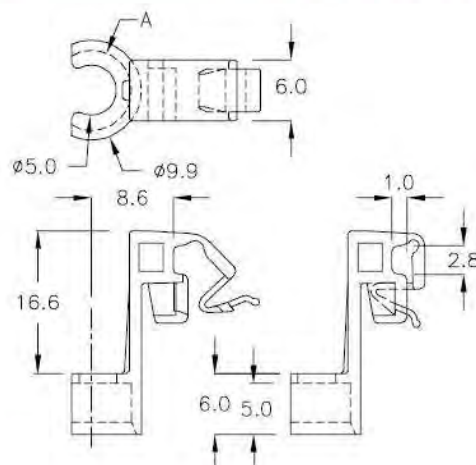
電線固定座 WIRE MOUNT

6-135-2

- MATERIAL: NYLON 66(UL)
- FLAME CLASS: 94V-0
- COLOR: NATURAL

WITH LOCK FEATURE

PART NO	A	PACKAGE
KYT-08	∅7.9	1000



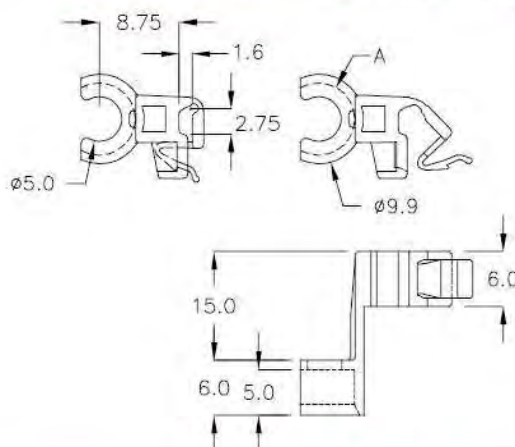
電線固定座 WIRE MOUNT

6-135-3

- MATERIAL: NYLON 66(UL)
- FLAME CLASS: 94V-0
- COLOR: NATURAL

WITH LOCK FEATURE

PART NO	A	PACKAGE
KYT-8MY	∅7.9	1000



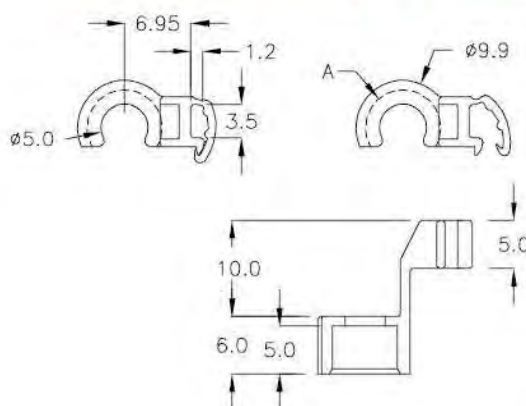
電線固定座 WIRE MOUNT

6-135-4

- MATERIAL: NYLON 66(UL)
- FLAME CLASS: 94V-0
- COLOR: NATURAL

WITH LOCK FEATURE

PART NO	A	PACKAGE
KYW-8HL	∅7.9	1000





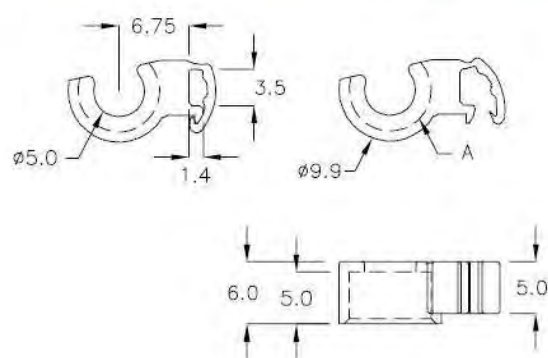
電線固定座 WIRE MOUNT

6-136-1

- MATERIAL: NYLON 66(UL)
- FLAME CLASS: 94V-0
- COLOR: NATURAL

WITH LOCK FEATURE

PART NO	A	PACKAGE
KYH-08	ø7.9	1000

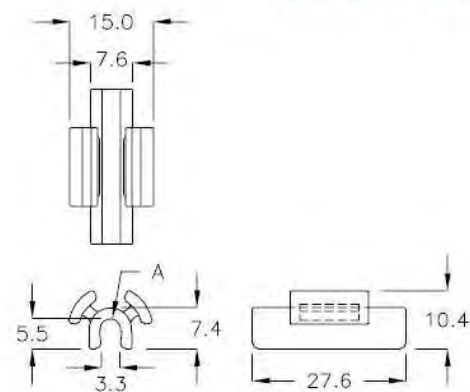


隔離束線座 WIRE SADDLE

6-136-2

- MATERIAL: PP(UL)
- FLAME CLASS: 94V-0
- COLOR: BLACK

PART NO	A	PACKAGE
CIM-27A	ø3.8	1000

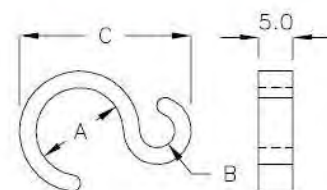


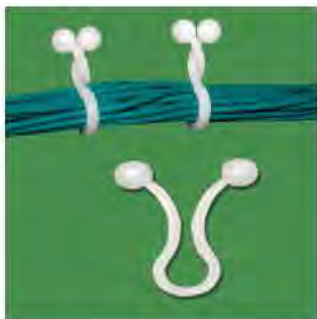
電線固定扣 WIRE MOUNT

6-136-3

- MATERIAL: NYLON 66(UL)
- FLAME CLASS: 94V-0
- COLOR: NATURAL

PART NO	A	B	C	PACKAGE
CHST-25	ø12.7	ø5.0	25.07	500
CHST-28	ø15.7	ø5.0	28.1	

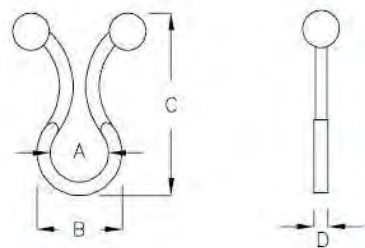




電線固定環 TWIST LOCK

6-137-1

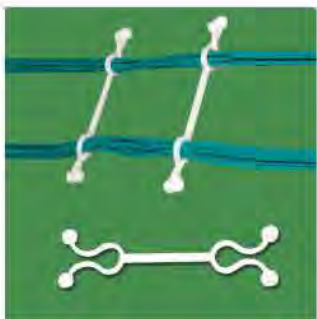
- MATERIAL: NYLON 66(UL)
- FLAME CLASS: 94V-2
- COLOR: NATURAL



E154548(S)

WITH LOCK FEATURE

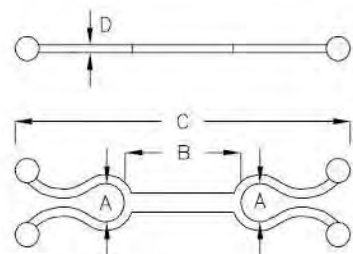
PART NO	A	B	C	D	CLOSE DIA	UL	PACKAGE
A-3DS	3.9	6.3	14.5	1.3	ø3.0		1000
A-4A	4.4	7.2	14.95	1.6	ø3.5		
A-5KA	5.3	8.7	18.05	1.65	ø4.2		
A-5	5.0	8.5	22.0	1.8	ø4.2		
A-8	8.3	12.0	26.2	2.3	ø7.0	UL	
A-11	11.1	15.2	30.0	2.3	ø9.7		
A-13	13.2	17.2	32.5	2.3	ø11.5		
A-14A	14.7	18.7	35.0	2.0	ø13.2		
A-15	14.8	18.8	32.6	2.4	ø13.0		
A-15A	15.0	19.0	33.7	1.8	ø14.0		
A-18	19.2	23.3	38.5	2.0	ø16.3	UL	500
A-19	18.9	22.9	35.0	2.2	ø17.3		
A-22	22.0	27.5	42.0	2.0	ø20.0	UL	
A-25	25.0	29.7	44.8	2.35	ø23.0		
A-28	29.0	33.5	55.5	2.0	ø26.8		
A-30	29.6	33.7	55.5	2.0	ø27.0		



電線固定環 TWIST LOCK

6-137-2

- MATERIAL: NYLON 66(UL)
- FLAME CLASS: 94V-2
- COLOR: NATURAL, BLACK



E154548(S)

WITH LOCK FEATURE

PART NO	A	B	C	D	CLOSE DIA	UL	PACKAGE
2A-7	7.0	32.7	73.8	1.9	ø5.9	UL	500
2A-7L	7.0	60.0	101.5	2.0	ø5.8		
2A-8	8.0	10.2	56.5	1.9	ø6.5	UL	
2A-10	10.0	30.4	82.2	2.0	ø8.6		
2A-10A	10.0	30.0	82.2	3.0	ø8.6		
2A-13S	14.8	85.0	147.8	2.0	ø12.2		200

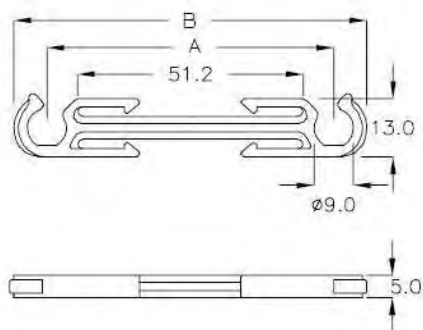


隔離束線座 WIRE SADDLE

6-138-1

- MATERIAL: PP
- COLOR: BLACK

PART NO	A	B	PACKAGE
CHA-01	65.0	80.0	200

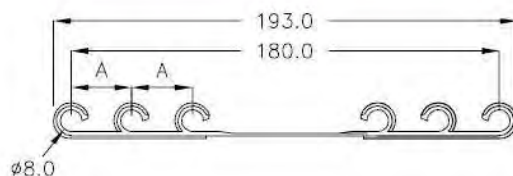


電線固定座 WIRE MOUNT

6-138-2

- MATERIAL: PP
- COLOR: NATURAL

PART NO	A	PACKAGE
6FW-11	22.0	100



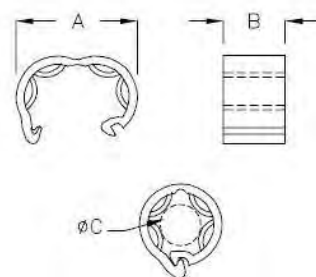
光纖固定座 FIBER HOUSING

6-138-3

- MATERIAL: NYLON 66(UL)
- FLAME CLASS: 94V-2
- COLOR: NATURAL

WITH LOCK FEATURE

PART NO	A	B	C SUITABLE CABLE DIA	PACKAGE
CKR-01	11.5	6.0	$\phi 4.0 \sim \phi 4.2$	1000





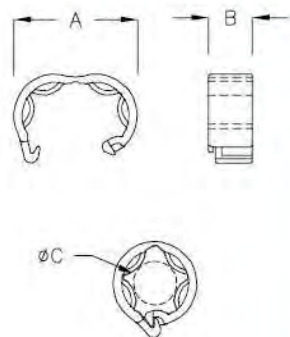
光纖固定座 FIBER HOUSING

6-139-1

- MATERIAL: NYLON 66(UL)
- FLAME CLASS: 94V-2
- COLOR: NATURAL

WITH LOCK FEATURE

PART NO	A	B	C SUITABLE CABLE DIA	PACKAGE
CKR-02	15.0	5.3	ø5.3 ~ ø5.5	1000
CKR-3A	16.1	5.3	ø5.8 ~ ø6.0	



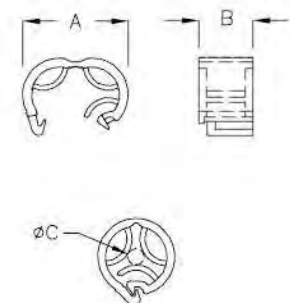
光纖固定座 FIBER HOUSING

6-139-2

- MATERIAL: NYLON 66(UL)
- FLAME CLASS: 94V-2
- COLOR: NATURAL

WITH LOCK FEATURE

PART NO	A	B	C SUITABLE CABLE DIA	PACKAGE
CKR-1P	10.5	5.3	ø1.5~ø1.7	1000



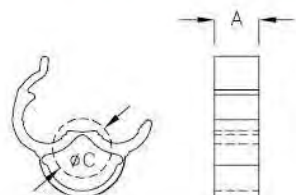
電線固定座 TIE MOUNT

6-139-3

- MATERIAL: NYLON 66(UL)
- FLAME CLASS: 94V-2
- COLOR: NATURAL

WITH LOCK FEATURE

PART NO	A	C SUITABLE CABLE DIA	PACKAGE
CHH-01	8.0	ø8.6 ~ ø8.8	500
CHH-02	6.5	ø5.0 ~ ø5.2	1000
CHH-03	6.5	ø6.0 ~ ø6.2	
CHH-04	8.0	ø7.0 ~ ø7.2	500



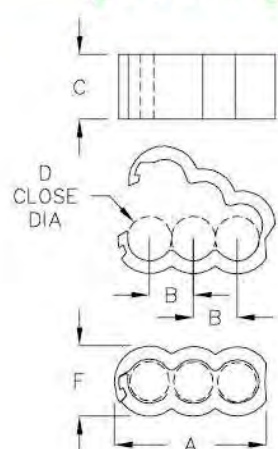
線夾 TUBE BINDER

6-139-4

- MATERIAL: NYLON 66(UL)
- FLAME CLASS: 94V-2
- COLOR: BLACK

WITH LOCK FEATURE

PART NO	A	B	C	D CLOSE DIA	F	PACKAGE
FCM-20	14.2	4.1	6.0	ø4.0	6.9	1000
FCM-20C	8.9	2.3	5.0	ø2.0	4.0	





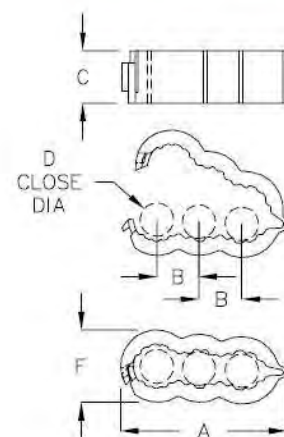
線夾 TUBE BINDER

6-140-1

- MATERIAL: NYLON 66(UL)
- FLAME CLASS: 94V-2
- COLOR: BLACK

WITH LOCK FEATURE

PART NO	A	B	C	D CLOSE DIA	F	PACKAGE
FQC-17B	19.1	7.15	6.0	∅4.6	8.5	1000
FQC-22D	25.8	7.15	6.0	∅6.7	11.2	



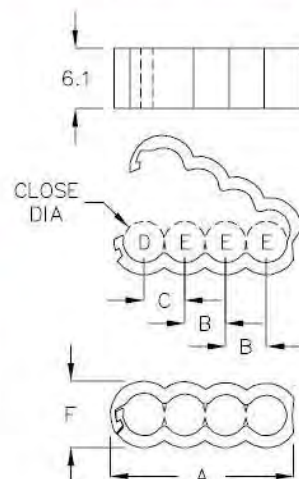
線夾 TUBE BINDER

6-140-2

- MATERIAL: NYLON 66(UL)
- FLAME CLASS: 94V-2
- COLOR: BLACK

WITH LOCK FEATURE

PART NO	A	B	C	D CLOSE DIA	E CLOSE DIA	F	PACKAGE
FCM-20A	18.4	4.1	4.1	∅4.2	∅4.2	7.1	1000
FCM-20F	22.9	5.1	5.1	∅5.2	∅5.2	8.3	
FCM-20H	26.5	6.2	5.55	∅4.9	∅6.2	9.2	



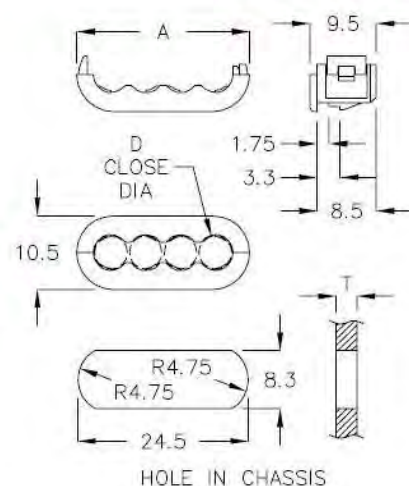
線夾 TUBE BINDER

6-140-3

- MATERIAL: NYLON 66(UL)
- FLAME CLASS: 94V-2
- COLOR: BLACK

WITH LOCK FEATURE

PART NO	A	D CLOSE DIA	T CHASSIS THICKNESS	PACKAGE
FCH-24A	24.8	∅4.7~∅5.0	1.5 or 3.0	500



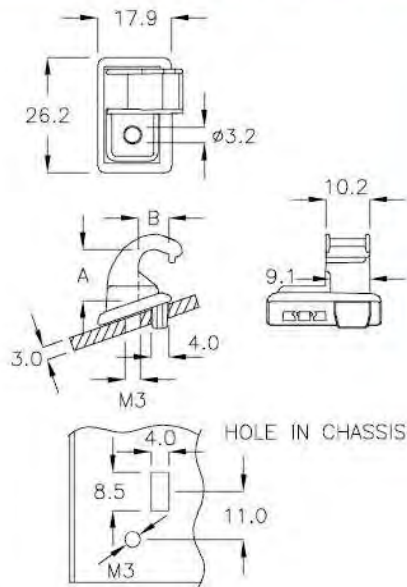


電線固定板 CABLE CLAMP

6-141-1

- MATERIAL: NYLON 66(UL)
- FLAME CLASS: 94V-2
- COLOR: NATURAL

PART NO	A	B	PACKAGE
BAR-01	11.6	7.0	100



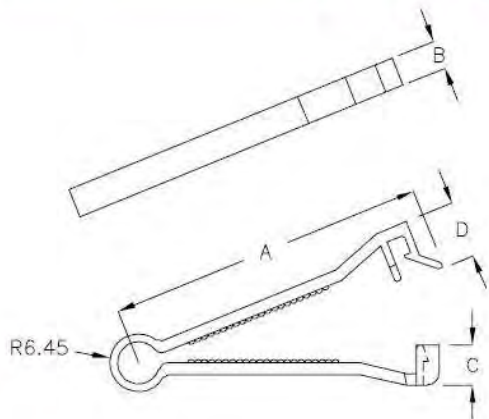
排線固定板 FLAT CABLE CLAMP

6-141-2

- MATERIAL: NYLON 66(UL)
- FLAME CLASS: 94V-2
- COLOR: NATURAL

WITH LOCK FEATURE

PART NO	A	B	C	D	SUITABLE CABLE	PACKAGE
FCM-35A	70.55	6.4	8.9	12.5	40 PIN	200



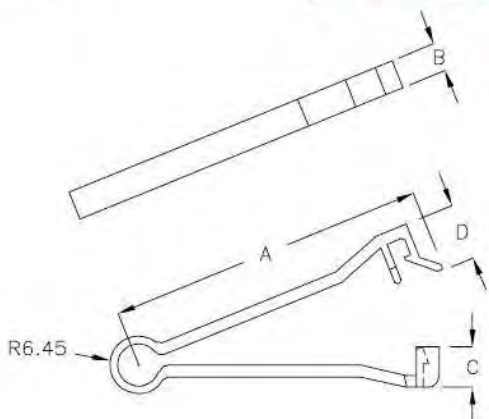
排線固定板 FLAT CABLE CLAMP

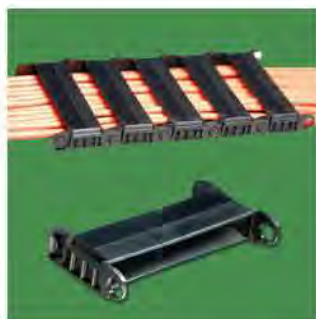
6-141-3

- MATERIAL: NYLON 66(UL)
- FLAME CLASS: 94V-2
- COLOR: NATURAL

WITH LOCK FEATURE

PART NO	A	B	C	D	SUITABLE CABLE	PACKAGE
FCM-35S	62.55	6.4	8.9	12.5	30 PIN	200
FCM-35	70.55	6.4	8.9	12.5	40 PIN	
FCM-35M	97.65	7.9	8.9	12.7	60 PIN	100

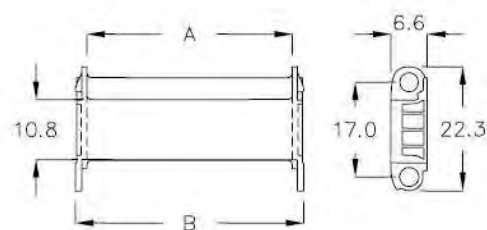




隔離束線座 WIRE SADDLE

6-142-1

- MATERIAL: NYLON 66+25%FRP
- FLAME CLASS: 94V-0
- COLOR: BLACK



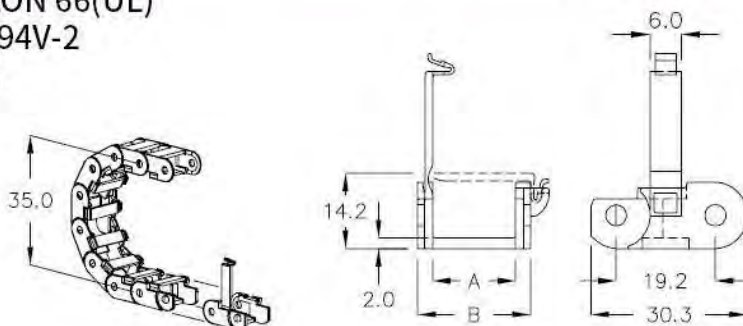
PART NO	A	B	PACKAGE
DFK-38A	38.0	42.0	500



塑膠拖鏈 CABLE CARRIER

6-142-2

- MATERIAL: NYLON 66(UL)
- FLAME CLASS: 94V-2
- COLOR: BLACK



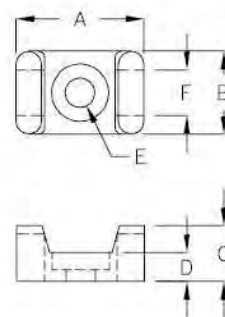
PART NO	A	B	PACKAGE
DFG-16BL	16.0	22.5	200



電線固定座 WIRE SADDLE

6-142-3

- MATERIAL: NYLON 66(UL)
- FLAME CLASS: 94V-2
- COLOR: NATURAL



PART NO	A	B	C	D	E	F	ASSEMBLE WITH P.G. PART	PACKAGE
AB-1S	12.8	7.0	5.8	3.0	∅3.3	4.1	YJ-80, YJ-90 YJ-98, YJ-100, YJ-120 YJ-142, YJ-142S, YJ-156 YJ-160, YJ-203, YJ-203S	1000
AB-1	15.3	9.9	6.6	3.4	∅3.5	5.2	YJ-80, YJ-90 YJ-98, YJ-100, YJ-115 YJ-120, YJ-140, YJ-142	1000
AB-1L	23.0	15.9	9.7	5.0	∅6.55	8.25	YJ-142S, YJ-156, YJ-160 YJ-203, YJ-203S, YJ-205	500

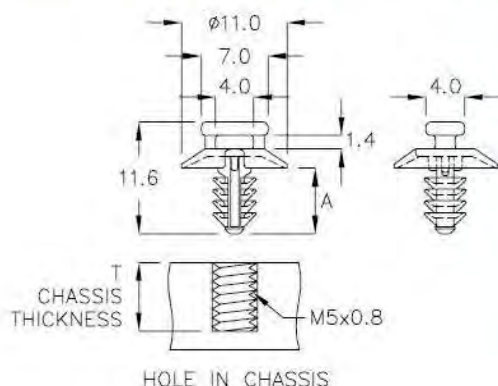
ASSEMBLE WITH P.G PART YJ-SERIES (Page 12-2)
MUST BE ASSEMBLED WITH CABLE TIE, WIDTH UP TO 3.6 or 4.8mm



電線固定座 WIRE SADDLE

6-143-1

- MATERIAL: NYLON 66(UL)
- FLAME CLASS: 94V-2
- COLOR: BLACK



PART NO	A	T CHASSIS THICKNESS	ASSEMBLE WITH P.G. PART	PACKAGE
MBDG-11C	6.8	7.5~8.5	YJ-80, YJ-90, YJ-98 YJ-100, YJ-120, YJ-142S YJ-160, YJ-203S	500

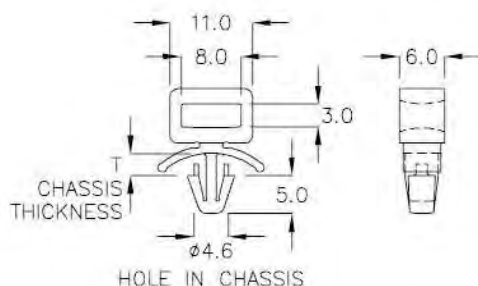
ASSEMBLE WITH P.G PART YJ-SERIES (Page 12-2-1)
MUST BE ASSEMBLED WITH CABLE TIE, WIDTH UP TO 3.6mm



電線固定座 CABLE SADDLE

6-143-2

- MATERIAL: NYLON 66(UL)
- FLAME CLASS: 94V-2
- COLOR: NATURAL



PART NO	T CHASSIS THICKNESS	ASSEMBLE WITH P.G. PART	PACKAGE
YLC-16T	0.8~2.0	YJ-80, YJ-90, YJ-98, YJ-100 YJ-115, YJ-120, YJ-140, YJ-142 YJ-142S, YJ-156, YJ-160 YJ-203, YJ-203S, YJ-205	500

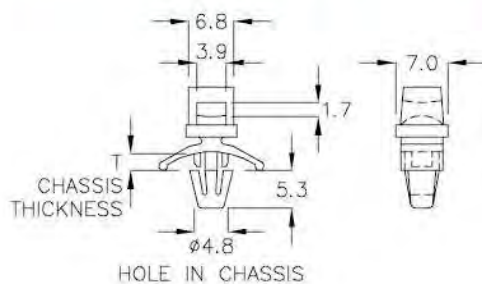
ASSEMBLE WITH P.G PART YJ-SERIES (Page 12-2)
MUST BE ASSEMBLED WITH CABLE TIE, WIDTH UP TO 4.8mm



電線固定座 CABLE SADDLE

6-143-3

- MATERIAL: NYLON 66(UL)
- FLAME CLASS: 94V-2
- COLOR: NATURAL



PART NO	T CHASSIS THICKNESS	ASSEMBLE WITH P.G. PART	PACKAGE
YL-1	0.8~2.0	YJ-80, YJ-90, YJ-98 YJ-100, YJ-120, YJ-142 YJ-142S, YJ-156, YJ-160 YJ-203, YJ-203S	1000

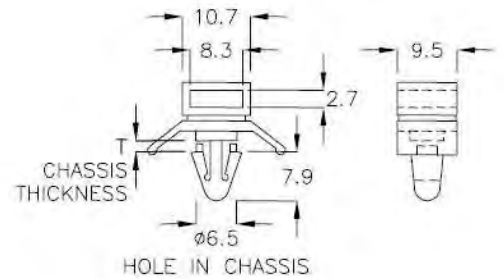
ASSEMBLE WITH P.G PART YJ-SERIES (Page 12-2)
MUST BE ASSEMBLED WITH CABLE TIE, WIDTH UP TO 3.6mm



電線固定座 CABLE SADDLE

6-144-1

- MATERIAL: NYLON 66(UL)
- FLAME CLASS: 94V-2
- COLOR: NATURAL



PART NO	T CHASSIS THICKNESS	ASSEMBLE WITH P.G. PART	PACKAGE
YL-06	1.6	YJ-80, YJ-90, YJ-98, YJ-100 YJ-115, YJ-120, YJ-140, YJ-142 YJ-142S, YJ-156, YJ-160 YJ-203, YJ-203S, YJ-205	500

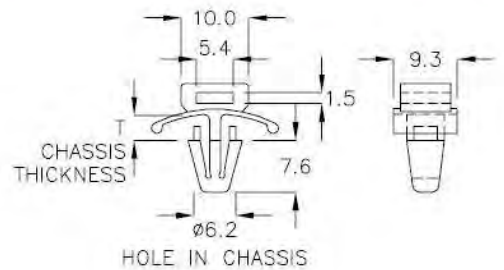
ASSEMBLE WITH P.G PART YJ-SERIES (Page 12-2)
MUST BE ASSEMBLED WITH CABLE TIE, WIDTH UP TO 4.8mm



電線固定座 CABLE SADDLE

6-144-2

- MATERIAL: NYLON 66(UL)
- FLAME CLASS: 94V-2
- COLOR: NATURAL



PART NO	T CHASSIS THICKNESS	ASSEMBLE WITH P.G. PART	PACKAGE
YLA-01	3.2	YJ-80, YJ-90, YJ-98 YJ-100, YJ-115, YJ-120 YJ-142S, YJ-156, YJ-160 YJ-203S, YJ-205	500

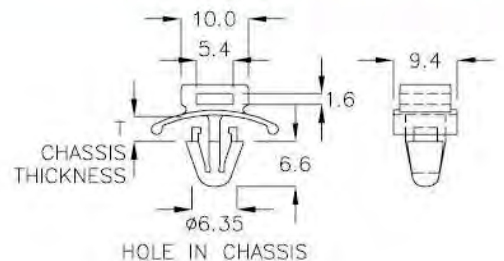
ASSEMBLE WITH P.G PART YJ-SERIES (Page 12-2)
MUST BE ASSEMBLED WITH CABLE TIE, WIDTH UP TO 4.8mm



電線固定座 CABLE SADDLE

6-144-3

- MATERIAL: NYLON 66(UL)
- FLAME CLASS: 94V-2
- COLOR: NATURAL



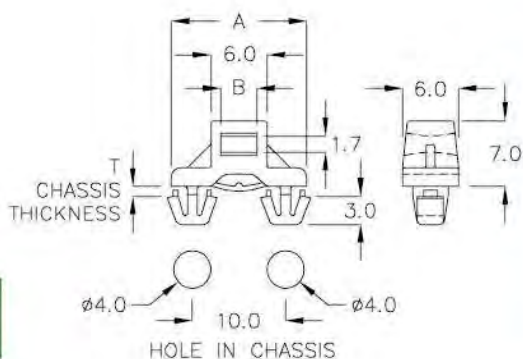
PART NO	T CHASSIS THICKNESS	ASSEMBLE WITH P.G. PART	PACKAGE
YLB-1J	1.2~2.5	YJ-80, YJ-90, YJ-98, YJ-100 YJ-115, YJ-120, YJ-140, YJ-142 YJ-142S, YJ-156, YJ-160 YJ-203, YJ-203S, YJ-205	500

ASSEMBLE WITH P.G PART YJ-SERIES (Page 12-2)
MUST BE ASSEMBLED WITH CABLE TIE, WIDTH UP TO 4.8mm



電線固定座 CABLE SADDLE 6-145-1

- MATERIAL: NYLON 66(UL)
- FLAME CLASS: 94V-0
- COLOR: NATURAL



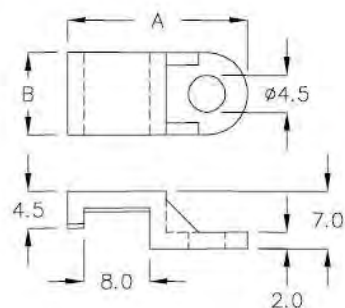
PART NO	A	B	T CHASSIS THICKNESS	ASSEMBLE WITH P.C. PART	PACKAGE
YLF-14BR	14.5	3.9	0.8	YJ-80, YJ-90, YJ-98 YJ-100, YJ-120, YJ-142	500
YLF-14AJ	14.5	3.9	3.0	YJ-142S, YJ-156, YJ-160 YJ-203, YJ-203S	

ASSEMBLE WITH P.G PART YJ-SERIES (Page 12-2)
MUST BE ASSEMBLED WITH CABLE TIE, WIDTH UP TO 3.6mm



電線固定座 CABLE SADDLE 6-145-2

- MATERIAL: NYLON 66(UL)
- FLAME CLASS: 94V-2
- COLOR: NATURAL



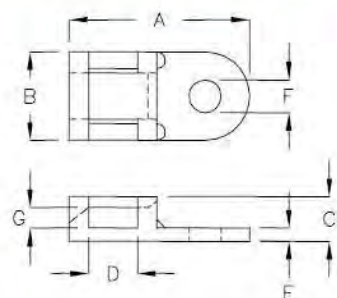
PART NO	A	B	ASSEMBLE WITH P.G. PART	PACKAGE
YL-5	22.0	10.0	YJ-80, YJ-90, YJ-98, YJ-100 YJ-115, YJ-120, YJ-140, YJ-142 YJ-142S, YJ-156, YJ-160 YJ-203, YJ-203S, YJ-205	1000

ASSEMBLE WITH P.G PART YJ-SERIES (Page 12-2)
MUST BE ASSEMBLED WITH CABLE TIE, WIDTH UP TO 4.8mm



電線固定座 CABLE SADDLE 6-145-3

- MATERIAL: NYLON 66(UL)
- FLAME CLASS: 94V-2
- COLOR: NATURAL



PART NO	A	B	C	D	E	F	G	ASSEMBLE WITH P.G. PART	PACKAGE
YL-3	19.5	9.5	4.8	5.3	1.4	3.5	2.2	YJ-80, YJ-90, YJ-98 YJ-100, YJ-115, YJ-120	1000
YL-03A	19.05	9.65	5.1	5.05	1.6	4.5	2.0	YJ-140, YJ-142, YJ-142S YJ-156, YJ-160, YJ-203	
YL-3MC	21.0	11.5	5.2	5.3	1.8	5.2	2.0	YJ-203S, YJ-205	

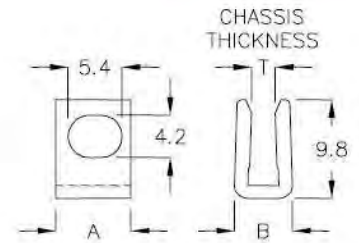
ASSEMBLE WITH P.G PART YJ-SERIES (Page 12-2)
MUST BE ASSEMBLED WITH CABLE TIE, WIDTH UP TO 4.8mm



護線套 EDGING

6-146-1

- MATERIAL: NYLON 66(UL)
- FLAME CLASS: 94V-2
- COLOR: NATURAL



PART NO	A	B	T CHASSIS THICKNESS	ASSEMBLE WITH P.G. PART	PACKAGE
UTF-7A	7.5	5.8	3.0	YJ-80, YJ-90, YJ-98, YJ-100 YJ-115, YJ-120, YJ-140, YJ-142 YJ-142S, YJ-156, YJ-160 YJ-203, YJ-203S, YJ-205	1000

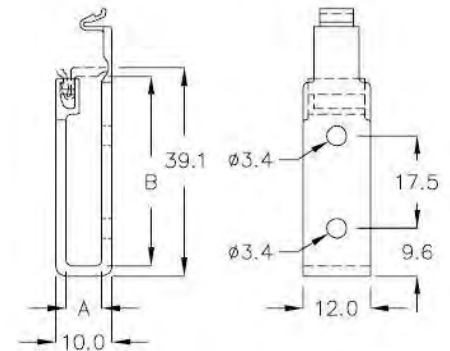
ASSEMBLE WITH P.G PART YJ-SERIES (Page 12-2)
MUST BE ASSEMBLED WITH CABLE TIE, WIDTH UP TO 4.8mm



隔離束線座 WIRE SADDLE

6-146-2

- MATERIAL: NYLON 66(UL)
- FLAME CLASS: 94V-2
- COLOR: NATURAL



WITH LOCK FEATURE

PART NO	A	B	ASSEMBLE WITH P.G. PART	PACKAGE
CZD-39A	6.4	35.8	YJ-80, YJ-90, YJ-98 YJ-100, YJ-120, YJ-142S YJ-160, YJ-203S	100

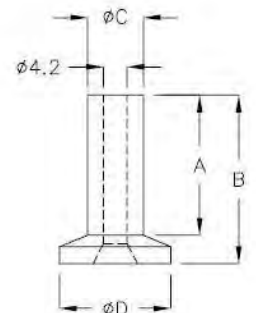
ASSEMBLE WITH P.G PART YJ-SERIES (Page 12-2-1)
MUST BE ASSEMBLED WITH CABLE TIE, WIDTH UP TO 2.6mm



固定座 MOUNT

6-146-3

- MATERIAL: NYLON 66(UL)
- FLAME CLASS: 94V-2
- COLOR: BLACK



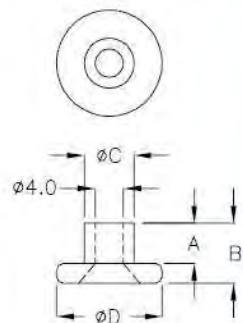
PART NO	A	B	C	D	PACKAGE
FWK-23	23.0	28.0	9.8	19.6	200
FWK-25	25.0	30.0	10.0	20.0	
FWK-27	27.5	32.5	9.8	19.6	



固定座 MOUNT

6-147-1

- MATERIAL: NYLON 66(UL)
- FLAME CLASS: 94V-2
- COLOR: BLACK



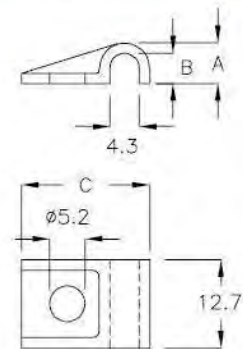
PART NO	A	B	C	D	PACKAGE
FWK-08	5.7	8.4	7.0	14.9	500



電線固定板 WIRE CLAMP

6-147-2

- MATERIAL: NYLON 66(UL)
- FLAME CLASS: 94V-2
- COLOR: NATURAL



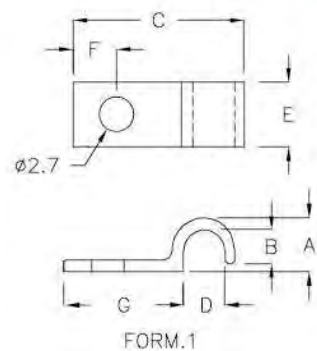
PART NO	A	B	C	PACKAGE
FSA-01	5.9	4.4	18.6	500



壓線固定板 WIRE CLAMP

6-147-3

- MATERIAL: NYLON 66(UL)
- FLAME CLASS: 94V-2
- COLOR: NATURAL



此產品亦可貼背膠
OPTIONAL WITH ADHESIVE TAPE ON BASE

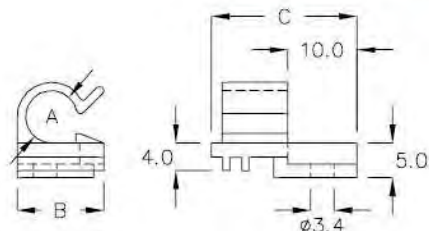
PART NO	A	B	C	D	E	F	G	FORM	PACKAGE
FSK-5A	3.0	1.8	12.8	2.0	5.0	5.0	10.0	1	1000
FSK-08	4.5	3.2	14.3	3.5	8.0	3.7	10.0	2	
FSK-10	5.5	4.1	15.3	4.5	10.0	3.7	10.0	2	500
FSK-10RP	6.5	5.0	16.0	5.5	10.0	3.0	9.3	2	
FSK-10KM	7.5	5.9	17.0	6.5	10.0	3.0	9.3	2	



隔離束線座 WIRE SADDLE

6-147-4

- MATERIAL: NYLON 66(UL)
- FLAME CLASS: 94V-2
- COLOR: NATURAL
- WITH M3 SCREW



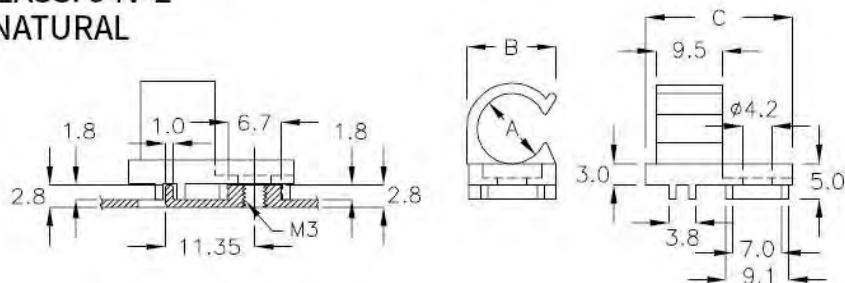
PART NO	A	B	C	PACKAGE
CHF-7	∅7.5	12.5	21.0	500



隔離束線座 WIRE SADDLE

6-148-1

- MATERIAL: NYLON 66(UL)
- FLAME CLASS: 94V-2
- COLOR: NATURAL



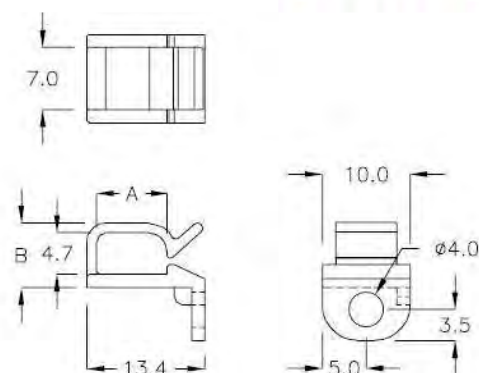
PART NO	A	B	C	PACKAGE
CHF-7A	∅10.0	12.8	21.0	500



電線固定座 WIRE MOUNT

6-148-2

- MATERIAL: NYLON 66(UL)
- FLAME CLASS: 94V-2
- COLOR: NATURAL
- WITH M3 or #6-32 SCREW



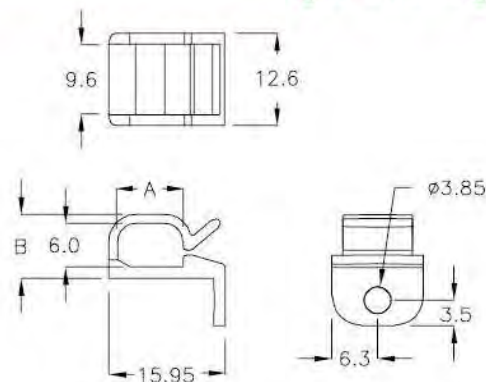
PART NO	A	B	PACKAGE
FAC-01	8.0	7.3	1000



電線固定座 WIRE MOUNT

6-148-3

- MATERIAL: NYLON 66(UL)
- FLAME CLASS: 94V-2
- COLOR: NATURAL
- WITH M3 or #6-32 SCREW



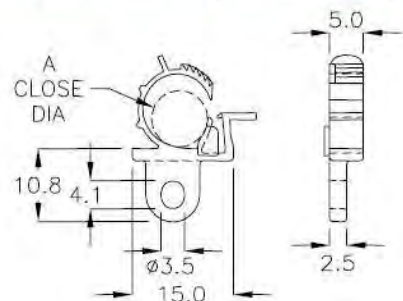
PART NO	A	B	PACKAGE
FAC-02	9.0	8.7	1000



電源線固定座 POWER CORD MOUNTING

6-148-4

- MATERIAL: NYLON 66(UL)
- FLAME CLASS: 94V-2
- COLOR: BLACK
- WITH M3 SCREW



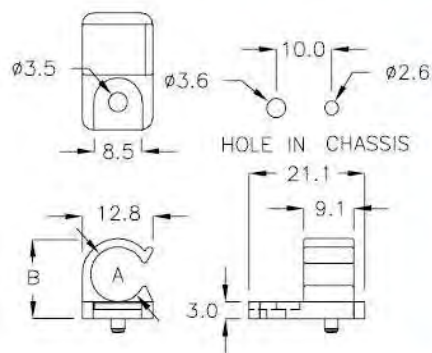
PART NO	A	PACKAGE
FWI-8CM	∅7.5~∅8.3	100



電線固定座 WIRE MOUNT

6-149-1

- MATERIAL: NYLON 66(UL)
- FLAME CLASS: 94V-2
- COLOR: NATURAL
- WITH M3 SCREW



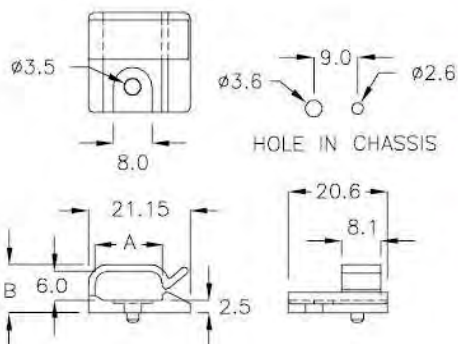
PART NO.	A	B	PACKAGE
FAF-10	10.0	14.5	500



電線固定座 WIRE MOUNT

6-149-2

- MATERIAL: NYLON 66(UL)
- FLAME CLASS: 94V-2
- COLOR: NATURAL
- WITH M3 SCREW



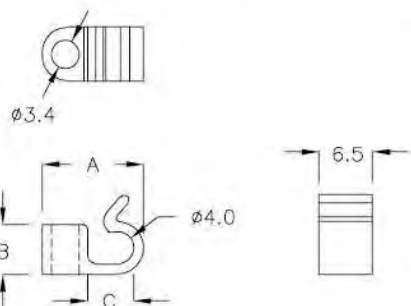
PART NO.	A	B	PACKAGE
FAG-01	14.0	9.9	500



電線固定座 WIRE MOUNT

6-149-3

- MATERIAL: NYLON 66(UL)
- FLAME CLASS: 94V-2
- COLOR: NATURAL
- WITH M3 SCREW



PART NO.	A	B	C	PACKAGE
CHG-04	12.3	6.0	5.6	1000

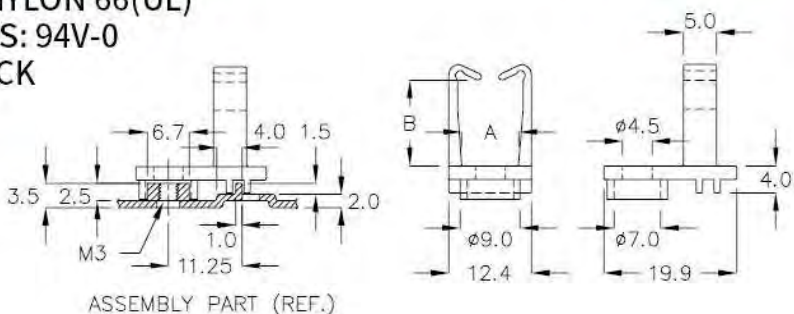


隔離束線座 WIRE SADDLE

6-149-4

- MATERIAL: NYLON 66(UL)
- FLAME CLASS: 94V-0
- COLOR: BLACK

NEW

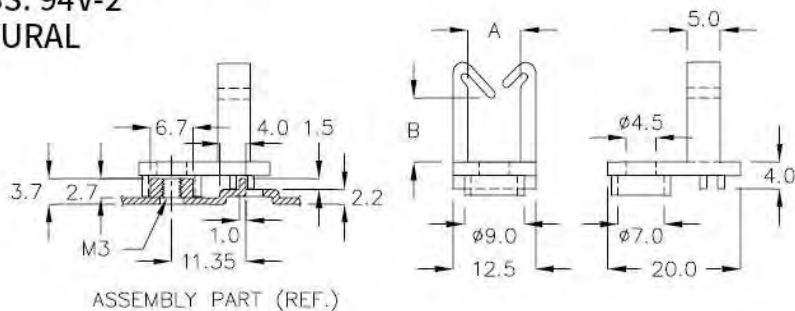


PART NO.	A	B	PACKAGE
★ CHF-11	8.0	12.8	500



隔離束線座 WIRE SADDLE | 6-150-1 |

- MATERIAL: NYLON 66(UL)
- FLAME CLASS: 94V-2
- COLOR: NATURAL

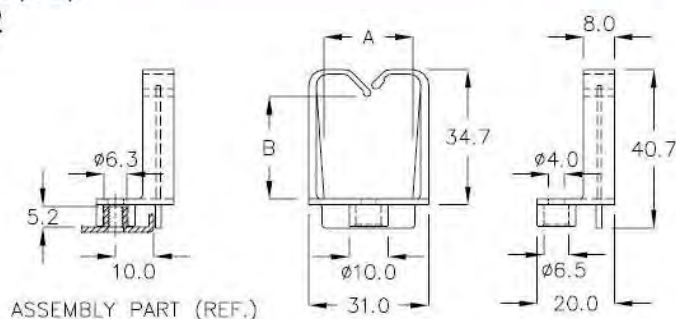


PART NO	A	B	PACKAGE
CHF-11E	8.0	11.2	500



隔離束線座 WIRE SADDLE | 6-150-2 |

- MATERIAL: NYLON 66(UL)
- FLAME CLASS: 94V-2
- COLOR: NATURAL
- WITH M3 SCREW

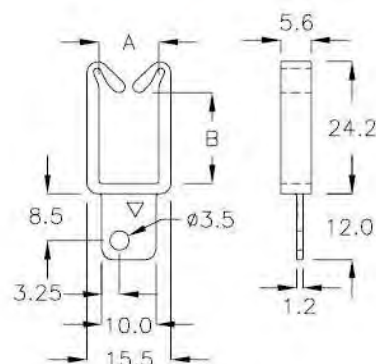


PART NO	A	B	PACKAGE
CHF-11E	8.0	11.2	500



隔離束線座 WIRE SADDLE | 6-150-3 |

- MATERIAL: NYLON 66(UL)
- FLAME CLASS: 94V-2
- COLOR: NATURAL
- WITH M3 SCREW

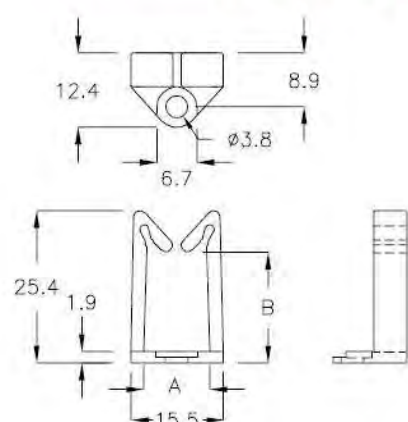


PART NO	A	B	PACKAGE
CNFK-11T	11.1	16.6	500



隔離束線座 WIRE SADDLE | 6-150-4 |

- MATERIAL: NYLON 66(UL)
- FLAME CLASS: 94V-2
- COLOR: NATURAL
- WITH M3 or #6-32 SCREW

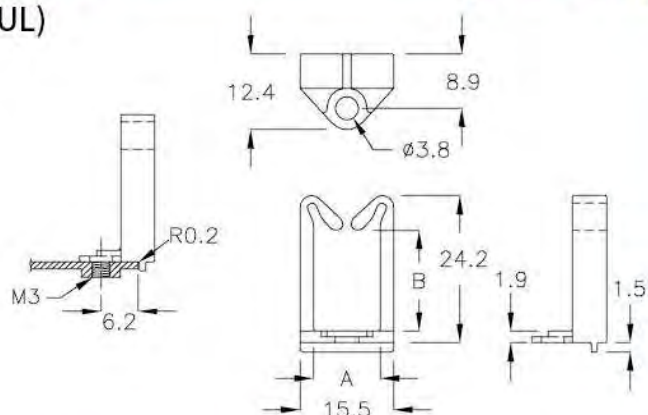


PART NO	A	B	PACKAGE
CNF-11	11.1	18.5	500



隔離束線座 WIRE SADDLE | 6-151-1 |

- MATERIAL: NYLON 66(UL)
- FLAME CLASS: 94V-2
- COLOR: NATURAL
- WITH M3 SCREW



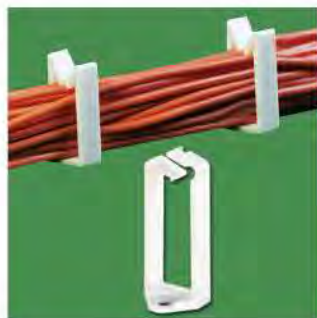
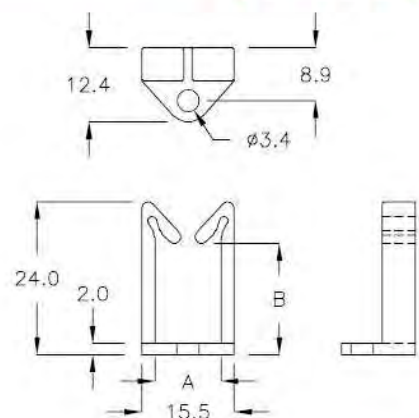
PART NO	A	B	PACKAGE
CNFA-11GS	11.1	16.6	500



隔離束線座 WIRE SADDLE | 6-151-2 |

- MATERIAL: NYLON 66(UL)
- FLAME CLASS: 94V-2
- COLOR: NATURAL
- WITH M3 SCREW

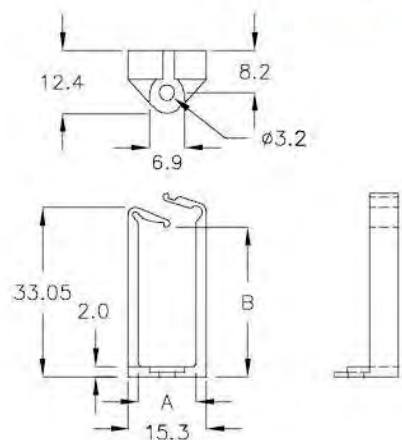
PART NO	A	B	PACKAGE
CNF-12R	12.0	18.5	500



隔離束線座 WIRE SADDLE | 6-151-3 |

- MATERIAL: NYLON 66(UL)
- FLAME CLASS: 94V-2
- COLOR: NATURAL
- WITH M3 SCREW

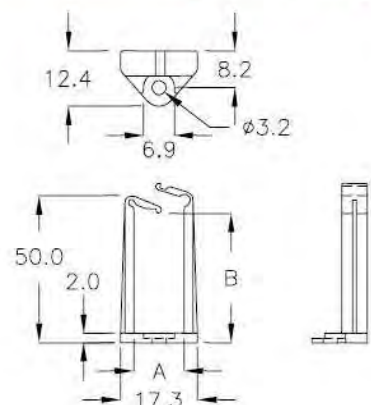
PART NO	A	B	PACKAGE
CNK-11DY	11.3	29.2	200



隔離束線座 WIRE SADDLE | 6-151-4 |

- MATERIAL: NYLON 66(UL)
- FLAME CLASS: 94V-2
- COLOR: BLACK
- WITH M3 SCREW

PART NO	A	B	PACKAGE
CNK-11PH	11.3	46.1	100



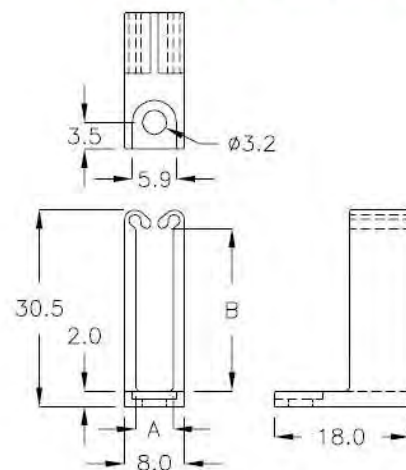


隔離束線座 WIRE SADDLE

6-152-1

- MATERIAL: NYLON 66(UL)
- FLAME CLASS: 94V-2
- COLOR: BLACK
- WITH M3 SCREW

PART NO	A	B	PACKAGE
CNTF-5HY	5.0	26.0	200

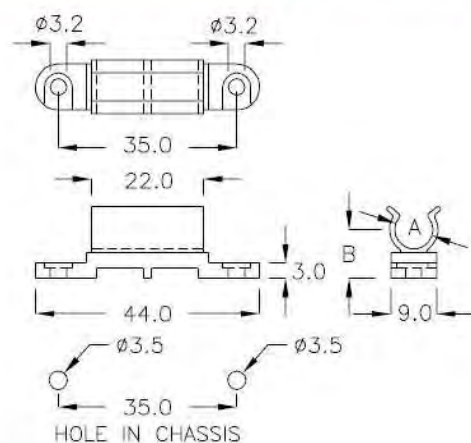


電線固定座 WIRE MOUNT

6-152-2

- MATERIAL: NYLON 66(UL)
- FLAME CLASS: 94V-2
- COLOR: NATURAL
- WITH M3 SCREW

PART NO	A	B	PACKAGE
CMS-22JC	7.5	9.5	500

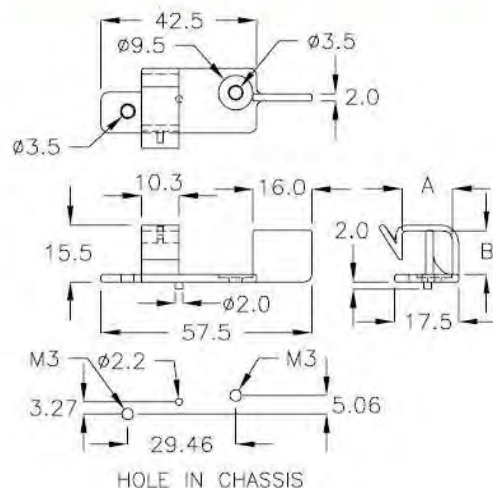


隔離束線座 WIRE SADDLE

6-152-3

- MATERIAL: NYLON 66(UL)
- FLAME CLASS: 94V-0
- COLOR: BLUE
- WITH M3 SCREW

PART NO	A	B	PACKAGE
CHFK-11JS	13.8	11.9	500



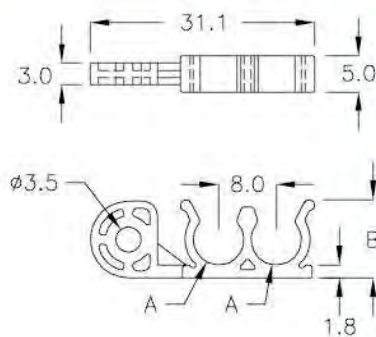


電線固定座 WIRE MOUNT

6-153-1

- MATERIAL: NYLON 66(UL)
- FLAME CLASS: 94V-2
- COLOR: BLACK
- WITH M3 SCREW

PART NO	A	B	PACKAGE
CNR-31A	∅7.0	10.8	500

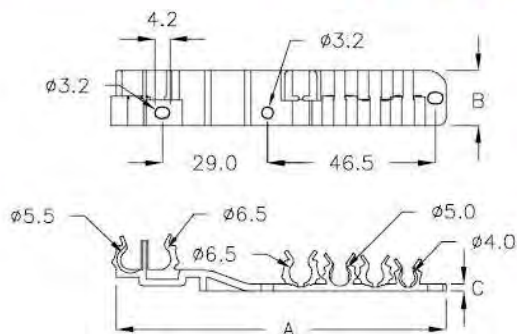


電線固定座 TIE MOUNT

6-153-2

- MATERIAL: NYLON 66(UL)
- FLAME CLASS: 94V-2
- COLOR: NATURAL
- WITH M3 SCREW

PART NO	A	B	C	PACKAGE
CTT-91	91.2	15.0	2.0	200

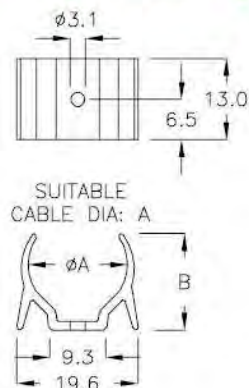


電線固定座 WIRE MOUNT

6-153-3

- MATERIAL: NYLON 66(UL)
- FLAME CLASS: 94V-2
- COLOR: BLACK
- WITH M3 SCREW

PART NO	A	B	PACKAGE
FW-08A	∅16.0	15.5	500

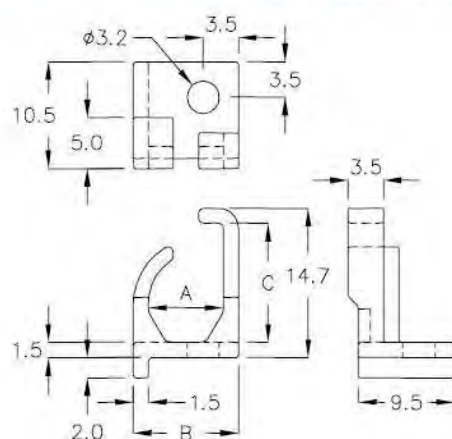


電線固定座 WIRE MOUNT

6-153-4

- MATERIAL: NYLON 66(UL)
- FLAME CLASS: 94V-0
- COLOR: NATURAL
- WITH M3 SCREW

PART NO	A	B	C	PACKAGE
CHFV-7A	∅7.2	10.4	11.7	500



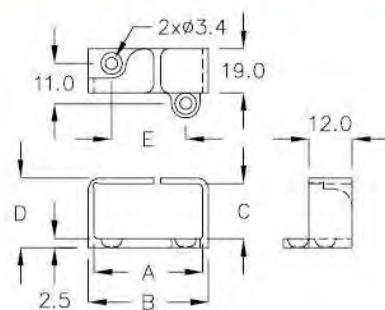


隔離束線座 WIRE SADDLE

6-154-1

- MATERIAL: NYLON 66(UL)
- FLAME CLASS: 94V-2
- COLOR: BLACK
- WITH M3 COUNTERSUNK SCREW

PART NO	A	B	C	D	E	PACKAGE
CNQ-30A	30.0	33.2	15.0	19.1	20.5	500
CNQ-40K	40.0	43.2	8.0	12.1	30.0	

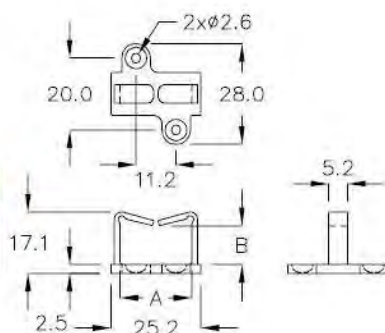


隔離束線座 WIRE SADDLE

6-154-2

- MATERIAL: NYLON 66(UL)
- FLAME CLASS: 94V-2
- COLOR: BLACK
- WITH M2.5 COUNTERSUNK SCREW

PART NO	A	B	D	E	F	PACKAGE
CNW-20AM	20.0	18.7	25.1	28.6	7.5	100
CNW-20TP	20.0	10.7	17.1	28.0	5.2	

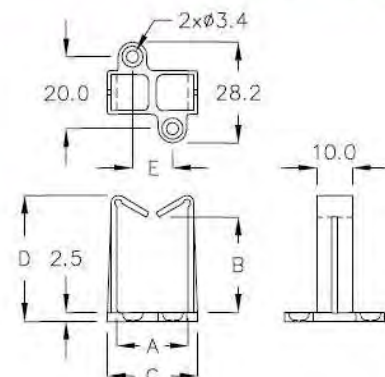


隔離束線座 WIRE SADDLE

6-154-3

- MATERIAL: NYLON 66(UL)
- FLAME CLASS: 94V-2
- COLOR: BLACK
- WITH M3 COUNTERSUNK SCREW

PART NO	A	B	C	D	E	PACKAGE
CNW-19AT	19.8	16.5	25.0	25.0	11.2	500
CNW-20K	20.0	26.5	25.2	35.0	14.2	

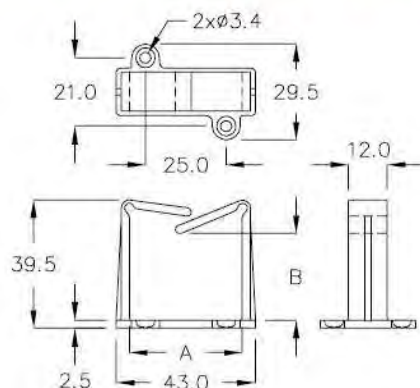


隔離束線座 WIRE SADDLE

6-154-4

- MATERIAL: NYLON 66(UL)
- FLAME CLASS: 94V-0
- COLOR: BLACK
- WITH M3 COUNTERSUNK SCREW

PART NO	A	B	PACKAGE
CNW-35H	35.0	26.7	100



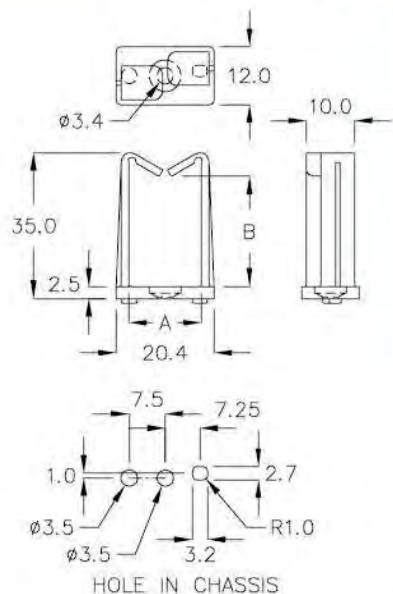


隔離束線座 WIRE SADDLE | 6-155-1 |

- MATERIAL: NYLON 66(UL)
- FLAME CLASS: 94V-0
- COLOR: BLACK
- WITH M3 COUNTERSUNK SCREW

NEW

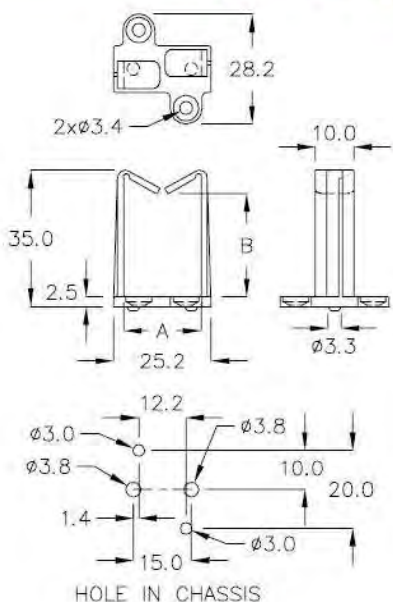
PART NO	A	B	PACKAGE
★ CNWF-15A	15.2	27.5	200



隔離束線座 WIRE SADDLE | 6-155-2 |

- MATERIAL: NYLON 66(UL)
- FLAME CLASS: 94V-0
- COLOR: BLACK
- WITH M3 COUNTERSUNK SCREW

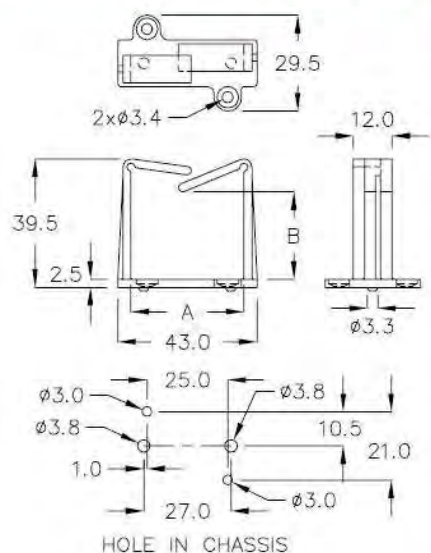
PART NO	A	B	PACKAGE
CNWZ-20D	20.0	26.5	500



隔離束線座 WIRE SADDLE | 6-155-3 |

- MATERIAL: NYLON 66(UL)
- FLAME CLASS: 94V-0
- COLOR: BLACK
- WITH M3 COUNTERSUNK SCREW

PART NO	A	B	PACKAGE
CNWZ-35M	35.0	26.9	100

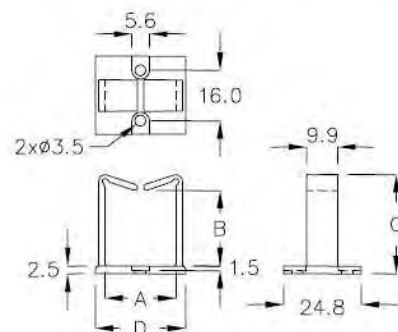




隔離束線座 WIRE SADDLE | 6-156-1 |

- MATERIAL: NYLON 66(UL)
- FLAME CLASS: 94V-2
- COLOR: BLACK
- WITH M3 SCREW

PART NO	A	B	C	D	PACKAGE
CNH-22DC	22.8	24.0	31.5	28.8	100
CNH-28MG	28.6	40.4	53.2	35.0	

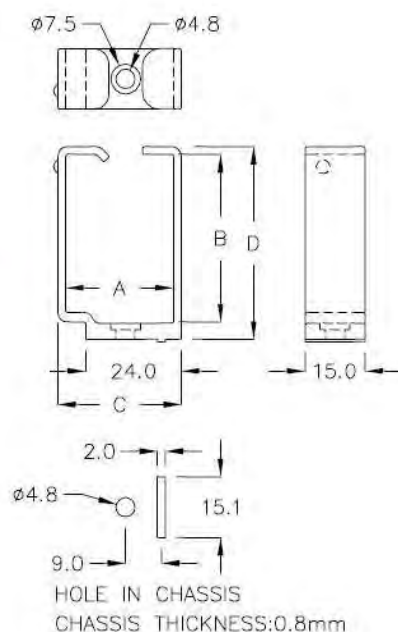


隔離束線座 WIRE SADDLE | 6-156-2 |

- MATERIAL: NYLON 66(UL)
- FLAME CLASS: 94V-0
- COLOR: BLACK
- WITH M4 SCREW

NEW

PART NO	A	B	C	D	PACKAGE
★ PACB-51Q	27.0	44.7	31.0	50.7	100

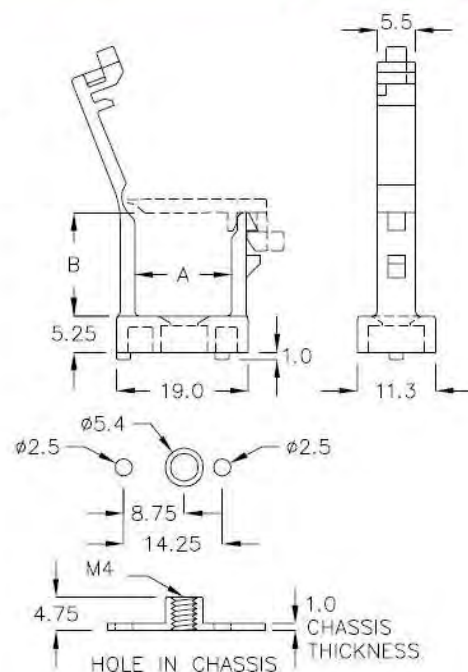


隔離束線座 WIRE SADDLE | 6-156-3 |

- MATERIAL: NYLON 66(UL)
- FLAME CLASS: 94V-0
- COLOR: NATURAL
- WITH M4 COUNTERSUNK SCREW

WITH LOCK FEATURE

PART NO	A	B	PACKAGE
CKFM-14QR	14.0	17.0	500

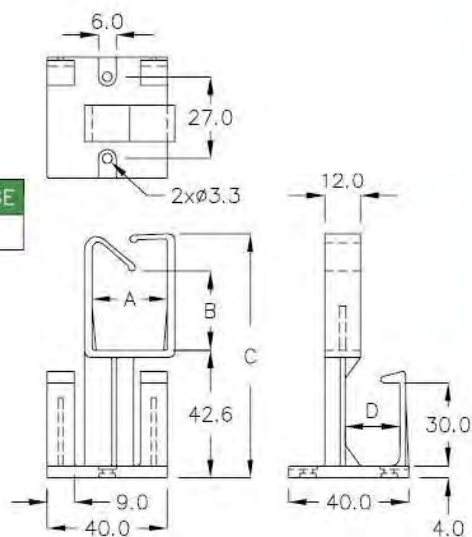




隔離束線座 WIRE SADDLE ————— | 6-157-1 |

- MATERIAL: NYLON 66(UL)
- FLAME CLASS: 94V-2
- COLOR: BLACK
- WITH M3 SCREW

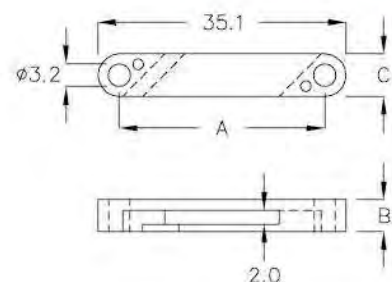
PART NO	A	B	C	D	PACKAGE
CNHA-25SK	25.0	31.0	85.7	18.25	50



排線固定座 FLAT CABLE CLIP ————— | 6-157-2 |

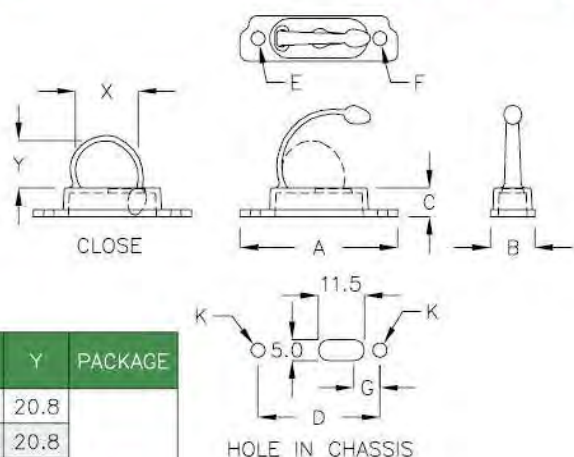
- MATERIAL: NYLON 66(UL)
- FLAME CLASS: 94V-2
- COLOR: NATURAL

PART NO	A	B	C	PACKAGE
FCM-01	29.1	4.5	6.0	500



電線固定座 WIRE MOUNT ————— | 6-157-3 |

- MATERIAL: NYLON 66(UL)
- FLAME CLASS: 94V-2
- COLOR: BLACK



WITH LOCK FEATURE

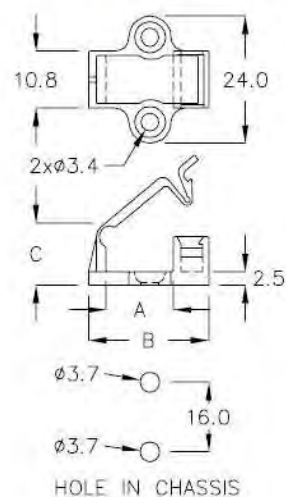
PART NO	A	B	C	D	E	F	G	K SCREW	X	Y	PACKAGE
CMD-3H	44.0	13.0	8.5	34.0	ø4.0	ø4.0	9.3	M3	18.0	20.8	200
CMD-3KZ	44.0	13.0	8.5	34.0	ø3.0	ø3.0	9.3	M2.5	18.0	20.8	
CMD-08	44.0	12.5	8.0	34.0	ø4.0	ø4.0	9.5	M3	14.7	11.0	
CMD-8F	44.0	13.0	8.5	34.0	ø3.8	ø3.8	9.3	M3	16.0	14.2	
CMD-8TM	56.0	15.0	8.5	46.0	3.2x4.0	ø3.2	10.8	M3	23.0	16.0	



電線固定座 WIRE MOUNT

6-158-1

- MATERIAL: NYLON 66(UL)
- FLAME CLASS: 94V-2
- COLOR: BLACK
- WITH M3 COUNTERSUNK SCREW



WITH LOCK FEATURE

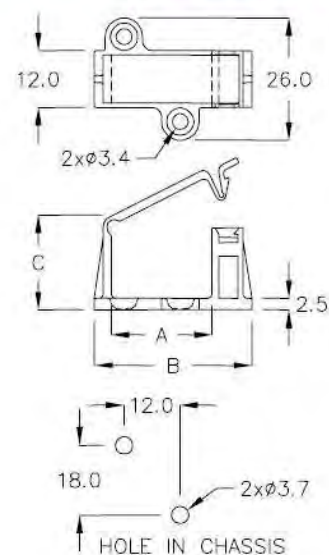
PART NO	A	B	C	PACKAGE
FCNQ-22BS	12.8	22.8	11.7	100



電線固定座 WIRE MOUNT

6-158-2

- MATERIAL: NYLON 66(UL)
- FLAME CLASS: 94V-2
- COLOR: BLACK
- WITH M3 COUNTERSUNK SCREW



WITH LOCK FEATURE

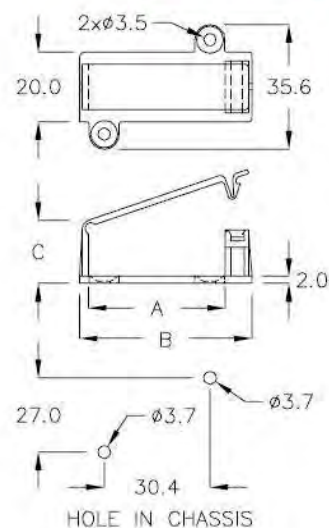
PART NO	A	B	C	PACKAGE
FCJS-33TY	21.5	33.7	20.2	100



電線固定板 CABLE CLAMP

6-158-3

- MATERIAL: NYLON 66(UL)
- FLAME CLASS: 94V-2
- COLOR: NATURAL
- WITH M3 COUNTERSUNK SCREW



WITH LOCK FEATURE

PART NO	A	B	C	PACKAGE
FAK-39LY	39.4	49.7	18.0	100

07

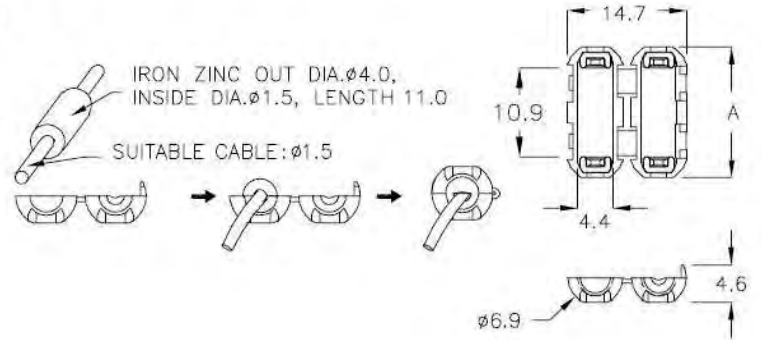


EMI 扣
SLEEVE FERRITE CLAMP

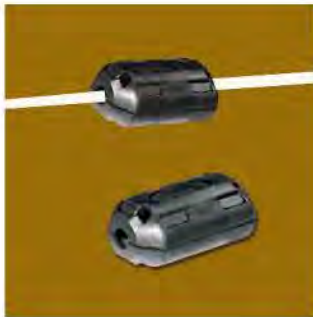


EMI 扣 SLEEVE FERRITE CLAMP ———— 7-2-1

- MATERIAL: NYLON 66(UL)
- FLAME CLASS: 94V-2
- COLOR: BLACK

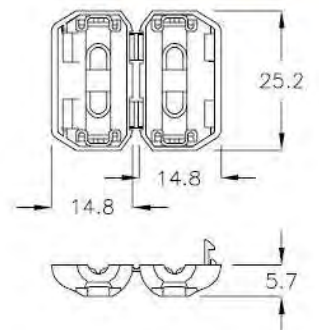


PART NO	A	SUIABLE CABLE	PACKAGE
EMR-1C	16.0	$\phi 1.15$	500

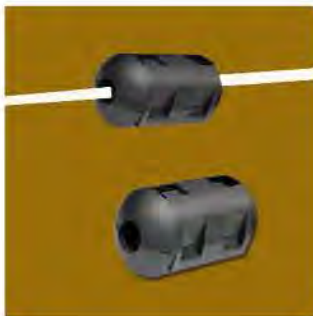


EMI 扣 SLEEVE FERRITE CLAMP ———— 7-2-2

- MATERIAL: NYLON 66(UL)
- FLAME CLASS: 94V-2
- COLOR: BLACK

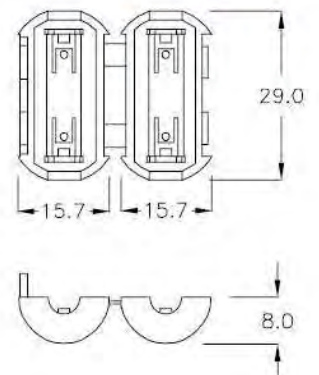


PART NO	SUIABLE CABLE	PACKAGE
EMR-3A	$\phi 3.5$	500

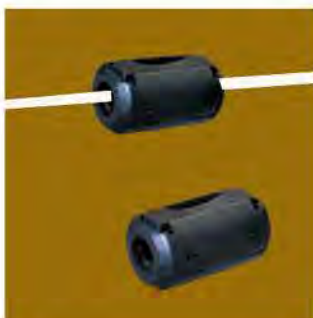


EMI 扣 SLEEVE FERRITE CLAMP ———— 7-2-3

- MATERIAL: NYLON 66(UL)
- FLAME CLASS: 94V-2
- COLOR: BLACK

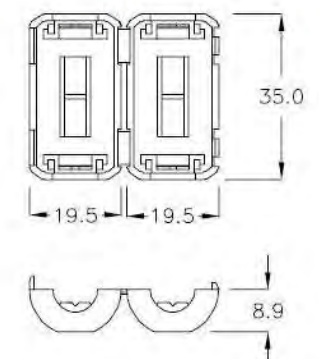


PART NO	SUIABLE CABLE	PACKAGE
EMR-05	$\phi 5.0$	200



EMI 扣 SLEEVE FERRITE CLAMP ———— 7-2-4

- MATERIAL: NYLON 66(UL)
- FLAME CLASS: 94V-2
- COLOR: BLACK



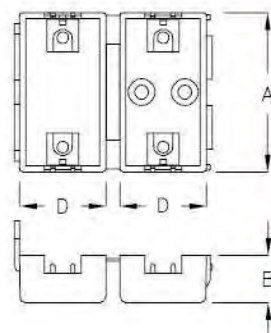
PART NO	SUIABLE CABLE	PACKAGE
EMR-7A	$\phi 7.5$	200



EMI 扣 SLEEVE FERRITE CLAMP 7-3-1

- MATERIAL: NYLON 66(UL)
- FLAME CLASS: 94V-2
- COLOR: BLACK

PART NO	A	B	D	SUITABLE CABLE	PACKAGE
EMQ-06	32.8	9.7	18.0	φ6.0	200
EMQ-13	32.7	15.0	30.0	φ13.0	100
EMQ-9A	32.8	11.6	22.7	φ8.5	

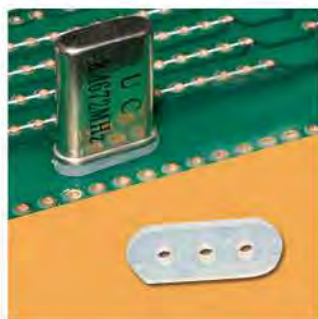


08



電子零附件

PCB,ELECTRONIC ASSEMBLY COMPONENTS:
WASHER
TRANSISTOR WASHER
SILICONE RUBBER

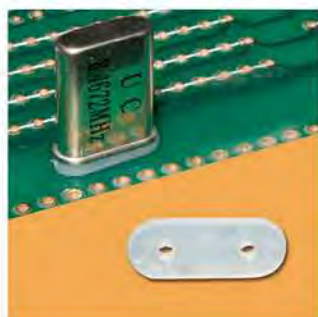
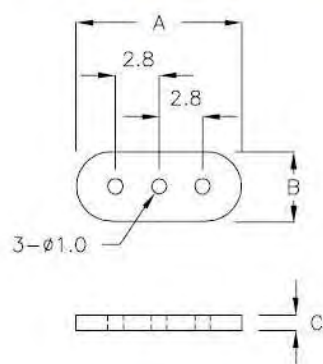


振盪晶體墊片 OSCILLATOR WASHER

8-2-1

- MATERIAL: NYLON 66(UL)
- FLAME CLASS: 94V-2
- COLOR: NATURAL

PART NO	A	B	C	PACKAGE
TQ-05	10.8	4.5	1.0	2000

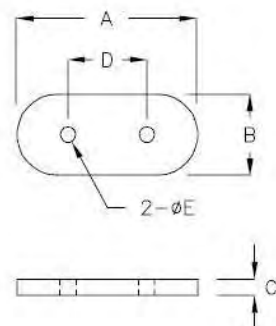


振盪晶體墊片 OSCILLATOR WASHER

8-2-2

- MATERIAL: NYLON 66(UL)
- FLAME CLASS: 94V-2
- COLOR: NATURAL

PART NO	A	B	C	D	E	PACKAGE
TQ-03	7.9	3.2	0.7	3.75	0.8	2000
TQ-03A	7.9	3.2	0.7	4.9	0.8	
TQ-06	11.2	5.0	1.0	4.9	1.2	
TQ-06A	11.2	5.0	1.5	4.9	1.2	
TQ-06H	11.2	6.5	1.5	4.75	2.2	

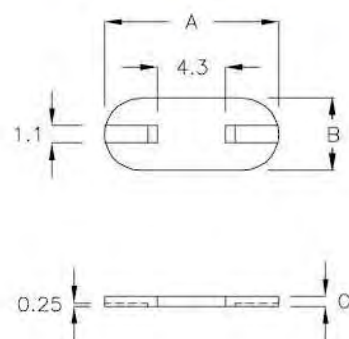


振盪晶體墊片 OSCILLATOR WASHER

8-2-3

- MATERIAL: NYLON 66(UL)
- FLAME CLASS: 94V-2
- COLOR: NATURAL

PART NO	A	B	C	PACKAGE
TQ-06F	11.0	4.5	0.7	2000

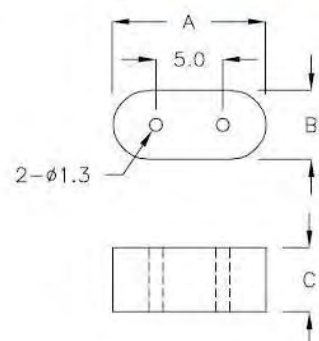


振盪晶體墊片 OSCILLATOR WASHER

8-2-4

- MATERIAL: CERAMICS
- COLOR: NATURAL

PART NO	A	B	C	PACKAGE
TQC-05	10.0	5.0	5.1	2000



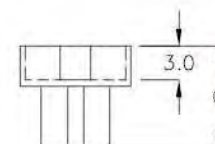
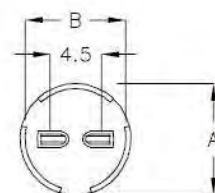


電容器座 E-CAP HOUSING

8-3-1

- MATERIAL: NYLON 66(UL)
- FLAME CLASS: 94V-2
- COLOR: NATURAL

PART NO	A	B	C	PACKAGE
CWX-10BK	∅11.0	∅10.0	10.0	1000

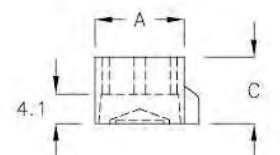
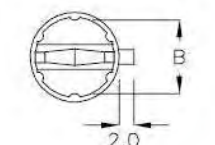


電容器座 E-CAP HOUSING

8-3-2

- MATERIAL: PP
- COLOR: NATURAL

PART NO	A	B	C	PACKAGE
CW-2	∅12.5	∅10.2	9.2	1000

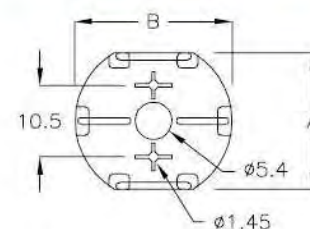


電容器墊片 CAPACITOR WASHER

8-3-3

- MATERIAL: NYLON 66(UL)
- FLAME CLASS: 94V-2
- COLOR: NATURAL

PART NO	A	B	C	PACKAGE
CW-10	20.0	∅23.0	2.6	1000

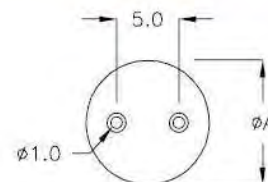


電容器墊片 CAPACITOR WASHER

8-3-4

- MATERIAL: NYLON 66(UL)
- FLAME CLASS: 94V-2
- COLOR: NATURAL

PART NO	A	C	PACKAGE
CW-1CQ	∅10.0	1.0	1000

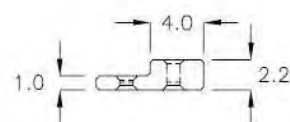
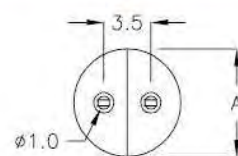




電容器墊片 CAPACITOR WASHER 8-4-1

- MATERIAL: NYLON 66+GF30%(UL)
- FLAME CLASS: 94V-0
- COLOR: BLACK

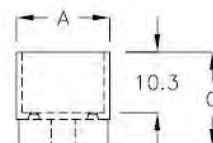
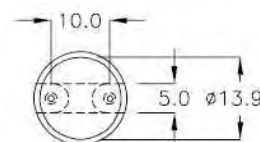
PART NO	A	PACKAGE
CW-2KM	ø8.0	1000



電容器座 E-CAP HOUSING 8-4-2

- MATERIAL: NYLON 66(UL)
- FLAME CLASS: 94V-2
- COLOR: NATURAL

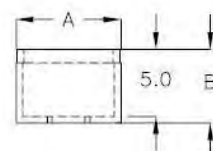
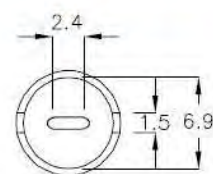
PART NO	A	C	PACKAGE
CW-003	ø16.0	16.0	1000



電容器座 E-CAP HOUSING 8-4-3

- MATERIAL: NYLON 66(UL)
- FLAME CLASS: 94V-0
- COLOR: BLACK

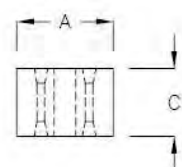
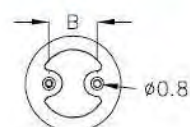
PART NO	A	B	PACKAGE
CWZ-7Q	ø7.9	5.5	2000



電容器座 E-CAP HOUSING 8-4-4

- MATERIAL: NYLON 66(UL)
- FLAME CLASS: 94V-2
- COLOR: BLACK

PART NO	A	B	C	PACKAGE
CWM-07	ø10.0	5.0	7.0	1000



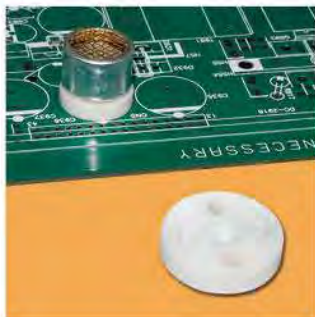
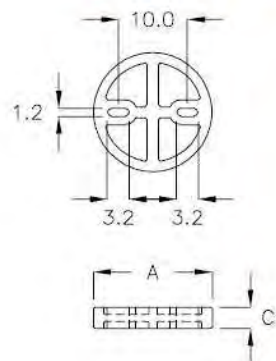


華司 WASHER

8-5-1

- MATERIAL: NYLON 66(UL)
- FLAME CLASS: 94V-2
- COLOR: NATURAL

PART NO	A	C	PACKAGE
WWD-3K	ø17.2	3.0	2000

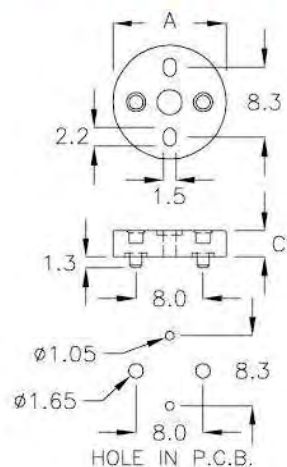


電容器墊片 E-CAP WASHER

8-5-2

- MATERIAL: NYLON 66(UL)
- FLAME CLASS: 94V-2
- COLOR: NATURAL

PART NO	A	C	PACKAGE
CWQ-13M	ø13.5	3.1	1000

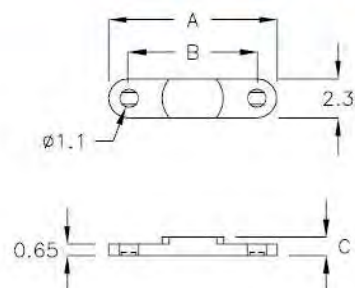


電容器墊片 E-CAP WASHER

8-5-3

- MATERIAL: NYLON 66(UL)
- FLAME CLASS: 94V-2
- COLOR: NATURAL

PART NO	A	B	C	PACKAGE
CWF-7H	9.9	7.5	1.1	2000

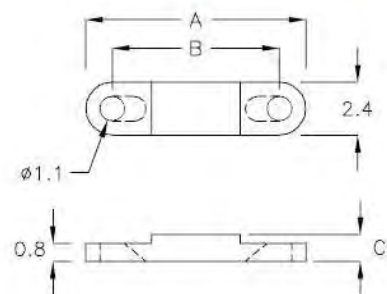


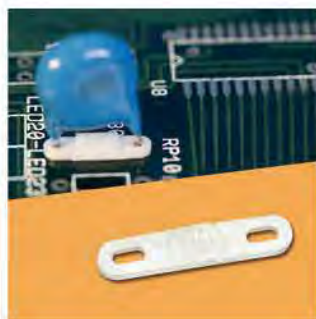
電容器墊片 E-CAP WASHER

8-5-4

- MATERIAL: NYLON 66(UL)
- FLAME CLASS: 94V-2
- COLOR: NATURAL

PART NO	A	B	C	PACKAGE
CWF-7K	10.0	7.6	1.2	2000



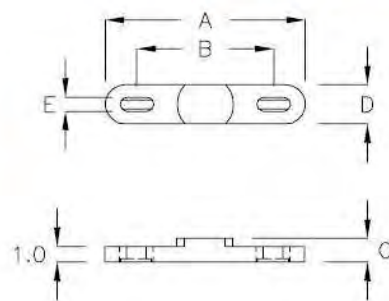


電容器墊片 E-CAP WASHER

8-6-1

- MATERIAL: NYLON 66(UL)
- FLAME CLASS: 94V-2
- COLOR: NATURAL

PART NO	A	B	C	D	E	PACKAGE
CWF-8H	12.8	8.75	1.5	2.5	0.9	2000
CWF-14A	14.2	10.0	1.5	3.0	1.5	

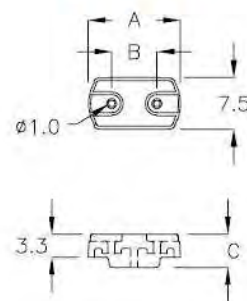


蜂鳴器固定座 BUZZER MOUNT

8-6-2

- MATERIAL: NYLON 66+30%FRP(UL)
- FLAME CLASS: 94V-0
- COLOR: BLACK

PART NO	A	B	C	PACKAGE
MTZ-4A	13.4	6.6	4.8	1000

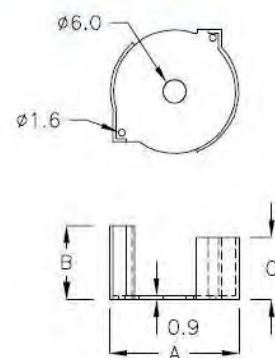


固定座 MOUNT

8-6-3

- MATERIAL: NYLON 66(UL)
- FLAME CLASS: 94V-2
- COLOR: BLACK

PART NO	A	B	C	PACKAGE
QDC-01	33.6	18.9	15.9	100

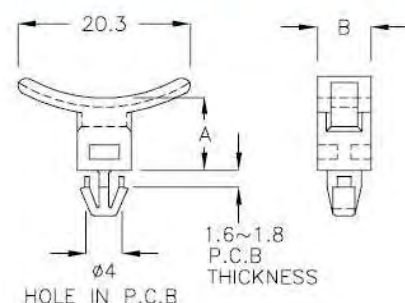


電容器座 E-CAP HOUSING

8-6-4

- MATERIAL: NYLON 66(UL)
- FLAME CLASS: 94V-2
- COLOR: NATURAL

PART NO	A	B	PACKAGE
MMH-08	8.0	6.0	1000



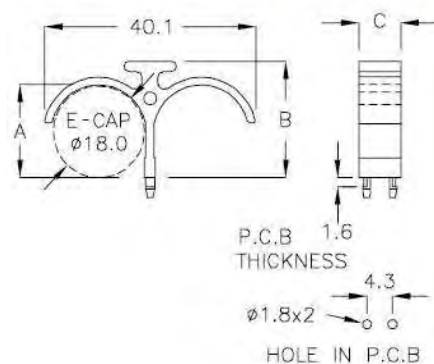


電容器座 E-CAP HOUSING

8-7-1

- MATERIAL: NYLON 46(UL)
- FLAME CLASS: 94V-0
- COLOR: NATURAL

PART NO	A	B	C	PACKAGE
CWB-01	17.8	22.0	8.0	200

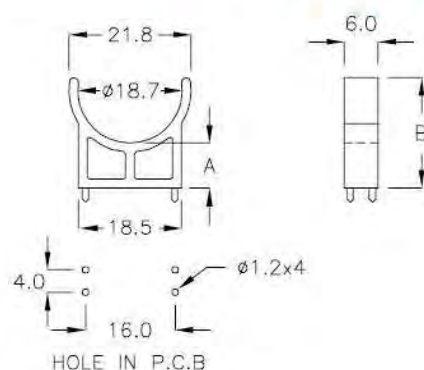


電容器座 E-CAP HOUSING

8-7-2

- MATERIAL: NYLON 66(UL)
- FLAME CLASS: 94V-0
- COLOR: NATURAL

PART NO	A	B	PACKAGE
CWC-08	8.0	19.7	1000

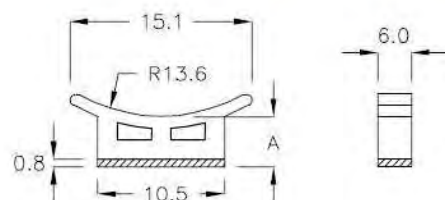


電容器座 E-CAP HOUSING

8-7-3

- MATERIAL: NYLON 66(UL)
- FLAME CLASS: 94V-0
- COLOR: NATURAL
- ADHESIVE TAPE: 3M

PART NO	A	PACKAGE
CWG-4A	4.3	1000

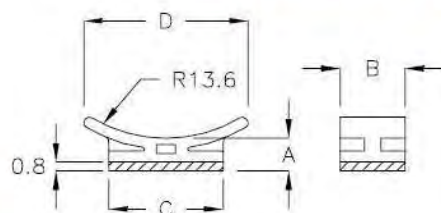


電容器座 E-CAP HOUSING

8-7-4

- MATERIAL: NYLON 66(UL)
- FLAME CLASS: 94V-0
- COLOR: NATURAL
- ADHESIVE TAPE: 3M

PART NO	A	B	C	D	PACKAGE
CWG-03	3.0	6.0	10.5	15.1	1000
CWG-3MF	3.0	5.0	10.0	15.1	
CWG-3TG	3.0	6.0	10.5	12.0	

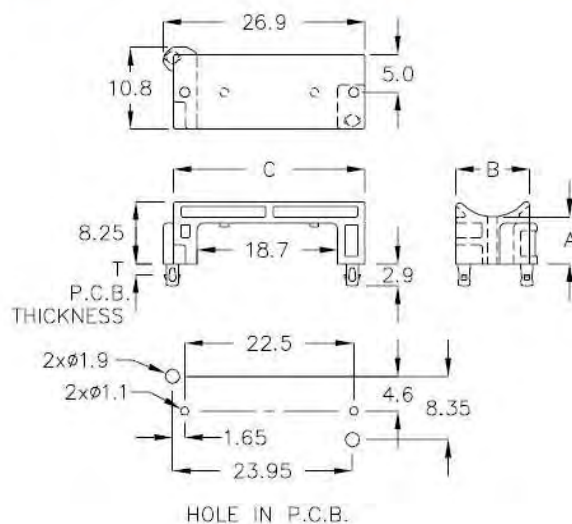




電容器座 E-CAP HOUSING

8-8-1

- MATERIAL: NYLON 66(UL)
- FLAME CLASS: 94V-0
- COLOR: NATURAL



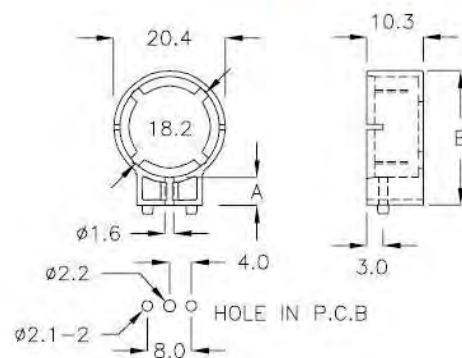
PART NO.	A	B	C	T P.C.B. THICKNESS	PACKAGE
CWFK-27A	6.22	9.85	25.5	1.2	500



電容器座 E-CAP HOUSING

8-8-2

- MATERIAL: NYLON 66(UL)
- FLAME CLASS: 94V-2
- COLOR: NATURAL
- WITH M2x5 TAPPING SCREW



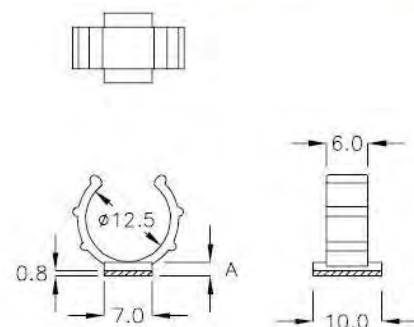
PART NO.	A	B	PACKAGE
CWS-01	5.0	24.4	500



電容器座 E-CAP HOUSING

8-8-3

- MATERIAL: NYLON 66(UL)
- FLAME CLASS: 94V-2
- COLOR: NATURAL
- ADHESIVE TAPE: 3M



PART NO.	A	PACKAGE
CWH-02	2.0	1000

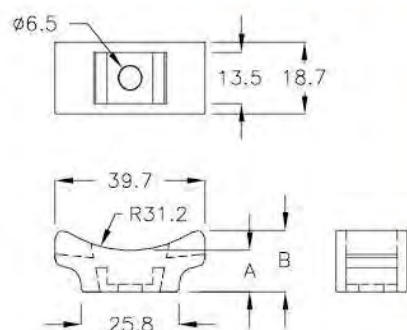


電容器座 E-CAP HOUSING

8-9-1

- MATERIAL: NYLON 66(UL)
- FLAME CLASS: 94V-2
- COLOR: BLACK

PART NO	A	B	PACKAGE
MLA-40	10.8	16.0	100

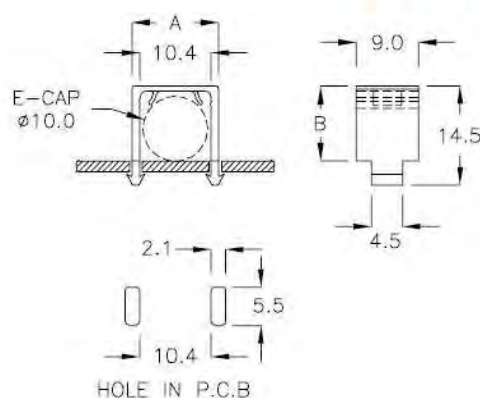


電容器座 E-CAP HOUSING

8-9-2

- MATERIAL: NYLON 66(UL)
- FLAME CLASS: 94V-0
- COLOR: NATURAL

PART NO	A	B	PACKAGE
CWD-01	12.6	10.8	1000

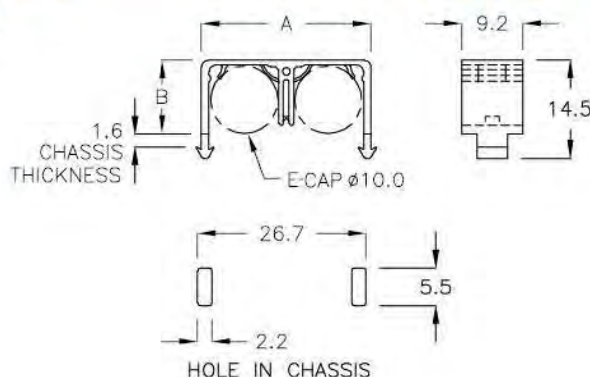


電容器座 E-CAP HOUSING

8-9-3

- MATERIAL: NYLON 66(UL)
- FLAME CLASS: 94V-0
- COLOR: NATURAL

PART NO	A	B	PACKAGE
CWD-02	25.2	10.9	500

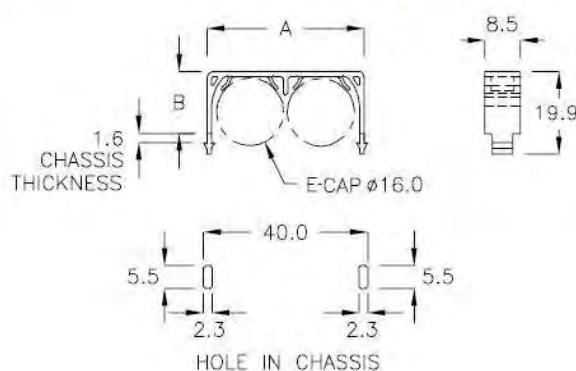


電容器座 E-CAP HOUSING

8-9-4

- MATERIAL: NYLON 66(UL)
- FLAME CLASS: 94V-2
- COLOR: NATURAL

PART NO	A	B	PACKAGE
CWD-16	38.0	15.3	200



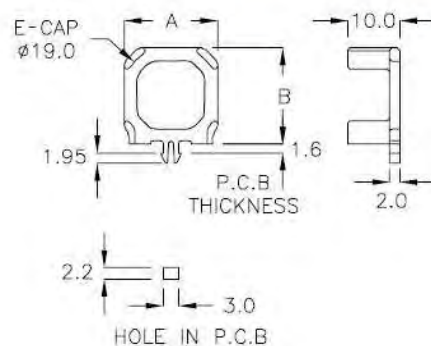


電容器座 E-CAP HOUSING

8-10-1

- MATERIAL: NYLON 66(UL)
- FLAME CLASS: 94V-2
- COLOR: NATURAL

PART NO	A	B	PACKAGE
CWL-19	18.0	18.4	500

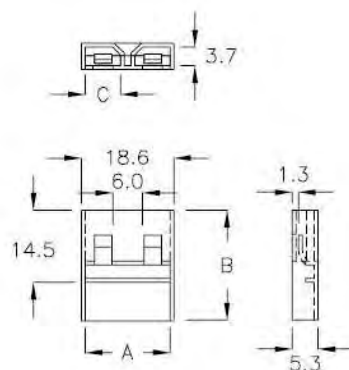


電容器座 E-CAP HOUSING

8-10-2

- MATERIAL: NYLON 66(UL)
- FLAME CLASS: 94V-0
- COLOR: NATURAL

PART NO	A	B	C	PACKAGE
CWJ-01	17.0	22.0	7.0	500

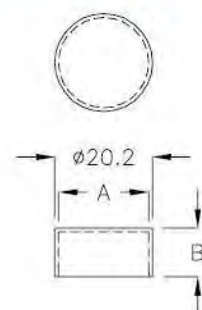


電容器帽套 E-CAP TUBE

8-10-3

- MATERIAL: NYLON 66(UL)
- FLAME CLASS: 94V-2
- COLOR: NATURAL

PART NO	A	B	PACKAGE
CWT-18A	ø18.6	10.0	100

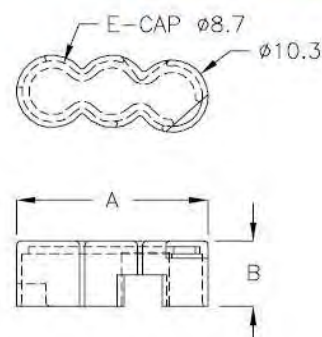


電容器帽套 E-CAP TUBE

8-10-4

- MATERIAL: NYLON 66(UL)
- FLAME CLASS: 94V-0
- COLOR: NATURAL

PART NO	A	B	PACKAGE
DXM-27H	27.45	9.3	500



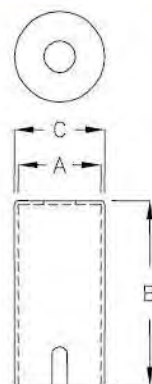


電容器帽套 E-CAP TUBE

8-11-1

- MATERIAL: PP(UL)
- FLAME CLASS: 94V-0
- COLOR: BLACK

PART NO	A	B	C	SUITABLE E-CAP	PACKAGE
DXA-31JK	φ10.5	27.5	φ11.5	φ9.5~φ10.2	500
DXA-50F	φ13.0	50.8	φ14.5	φ12.0~φ12.5	

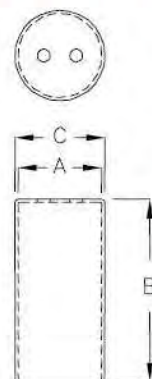


電容器帽套 E-CAP TUBE

8-11-2

- MATERIAL: PP(UL)
- FLAME CLASS: 94V-0
- COLOR: BLACK

PART NO	A	B	C	SUITABLE E-CAP	PACKAGE
DXK-30C	φ13.0	30.5	φ14.0	φ12.0~φ12.5	500

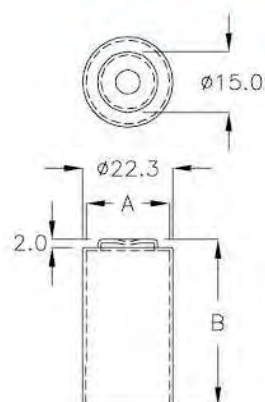


電容器帽套 E-CAP TUBE

8-11-3

- MATERIAL: NYLON 66(UL)
- FLAME CLASS: 94V-2
- COLOR: BLACK

PART NO	A	B	PACKAGE
CWY-50	φ20.5	40.9	100

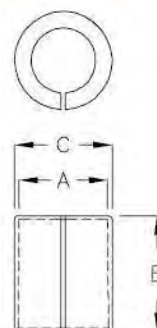


電容器帽套 E-CAP TUBE

8-11-4

- COLOR: BLACK

PART NO	MATERIAL	A	B	C	SUITABLE E-CAP	PACKAGE
DXA-16RC	PP V0	φ12.5	16.0	φ13.6	φ11.0~φ12.0	500
DXA-20KS	N66 V2	φ24.0	20.0	φ25.0	φ23.5~φ24.5	



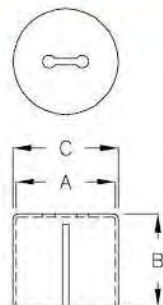


電容器帽套 E-CAP TUBE

8-12-1

- MATERIAL: PP(UL)
- FLAME CLASS: 94V-0
- COLOR: BLACK

PART NO	A	B	C	SUITABLE E-CAP	PACKAGE
DXP-28CA	ø31.0	28.0	ø32.0	ø29.5~ø30.5	500

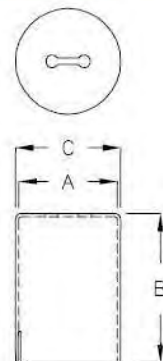


電容器帽套 E-CAP TUBE

8-12-2

- MATERIAL: PP(UL)
- FLAME CLASS: 94V-0
- COLOR: BLACK

PART NO	A	B	C	SUITABLE E-CAP	PACKAGE
DXP-46FM	ø31.5	46.5	ø32.9	ø30.0~ø31.0	500

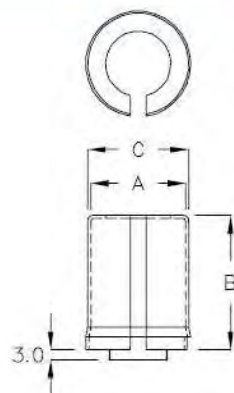


電容器帽套 E-CAP TUBE

8-12-3

- MATERIAL: NYLON 66(UL)
- FLAME CLASS: 94V-0
- COLOR: BLACK

PART NO	A	B	C	SUITABLE E-CAP	PACKAGE
DXA-41	ø30.0	41.0	ø31.0	ø29.2~ø31.2	486

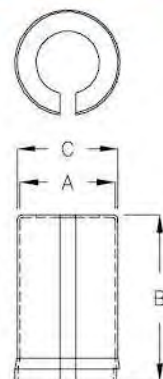


電容器帽套 E-CAP TUBE

8-12-4

- MATERIAL: NYLON 66(UL)
- FLAME CLASS: 94V-0
- COLOR: BLACK

PART NO	A	B	C	SUITABLE E-CAP	PACKAGE
DXA-51C	ø30.0	51.0	ø31.0	ø29.7~ø31.7	405



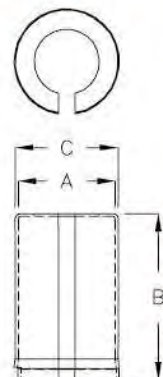


電容器帽套 E-CAP TUBE

8-13-1

- MATERIAL: PP(UL)
- FLAME CLASS: 94V-0
- COLOR: BLACK

PART NO	A	B	C	SUITABLE E-CAP	PACKAGE
DXA-51FL	∅30.0	51.0	∅31.6	∅29.7~∅31.7	405

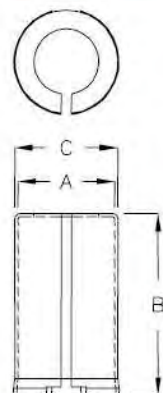


電容器帽套 E-CAP TUBE

8-13-2

- MATERIAL: PP(UL)
- FLAME CLASS: 94V-0
- COLOR: BLACK

PART NO	A	B	C	SUITABLE E-CAP	PACKAGE
DXA-55KT	∅30.0	55.5	∅31.6	∅29.7~∅31.7	405

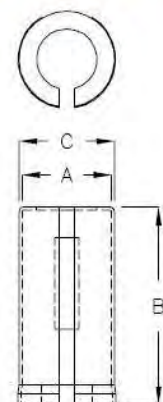


電容器帽套 E-CAP TUBE

8-13-3

- MATERIAL: PP(UL)
- FLAME CLASS: 94V-0
- COLOR: BLACK

PART NO	A	B	C	SUITABLE E-CAP	PACKAGE
DXA-65BH	∅30.0	65.0	∅31.6	∅29.5~∅31.0	324

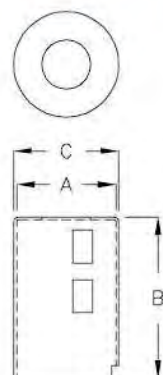


電容器帽套 E-CAP TUBE

8-13-4

- MATERIAL: PP(UL)
- FLAME CLASS: 94V-0
- COLOR: BLACK

PART NO	A	B	C	SUITABLE E-CAP	PACKAGE
DXS-49K	∅31.0	49.0	∅32.0	∅29.5~∅30.5	500



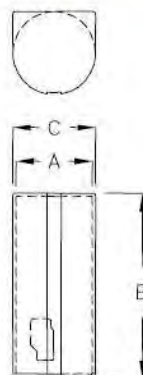


電容器帽套 E-CAP TUBE

8-14-1

- MATERIAL: PP(UL)
- FLAME CLASS: 94V-0
- COLOR: NATURAL

PART NO	A	B	C	SUITABLE E-CAP	PACKAGE
DXF-76	∅31.0	75.8	∅32.0	∅29.5~∅30.5	243

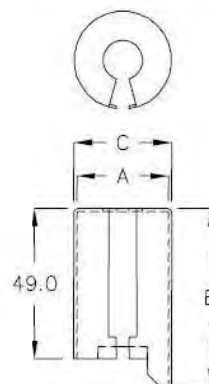


電容器帽套 E-CAP TUBE

8-14-2

- MATERIAL: PP(UL)
- FLAME CLASS: 94V-0
- COLOR: BLACK

PART NO	A	B	C	SUITABLE E-CAP	PACKAGE
DXC-58AS	∅31.0	58.0	∅32.0	∅29.0~∅31.0	324

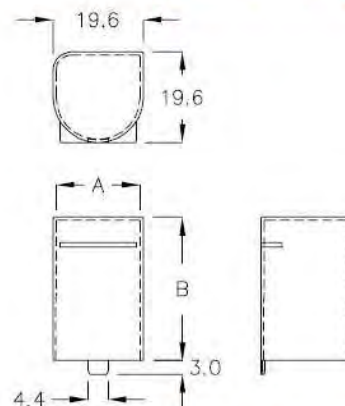


電容器帽套 E-CAP TUBE

8-14-3

- MATERIAL: NYLON 66(UL)
- FLAME CLASS: 94V-0
- COLOR: BLACK

PART NO	A	B	SUITABLE E-CAP	PACKAGE
DXH-31M	18.4	31.0	∅17.2~∅18.0	200

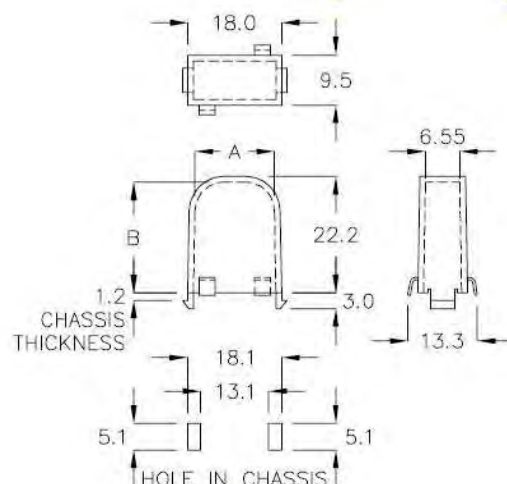


電容器座 E-CAP HOUSING

8-14-4

- MATERIAL: NYLON 66(UL)
- FLAME CLASS: 94V-2
- COLOR: BLACK

PART NO	A	B	PACKAGE
CWQ-01	15.25	21.1	500



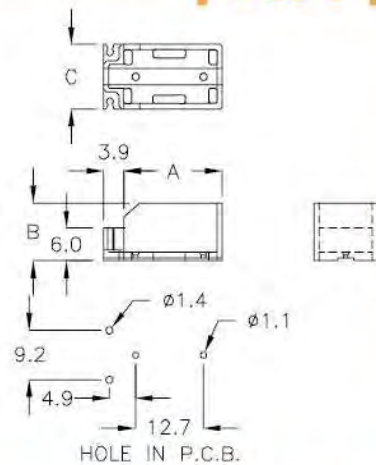


電感固定座 C. T. MOUNT

8-15-1

- MATERIAL: NYLON 66(UL)
- FLAME CLASS: 94V-0
- COLOR: BLACK

PART NO	A	B	C	PACKAGE
CWP-01	18.4	10.65	12.0	500

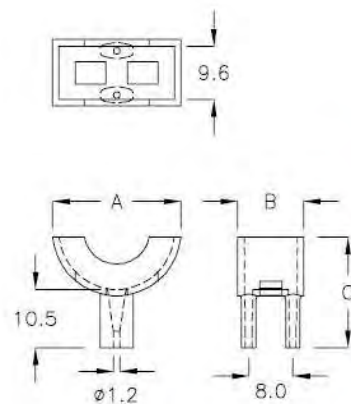


電感固定座 INDUCTOR HOUSING

8-15-2

- MATERIAL: PBT(UL)
- FLAME CLASS: 94V-0
- COLOR: NATURAL

PART NO	A	B	C	PACKAGE
CW-1A	23.3	12.0	20.0	1000

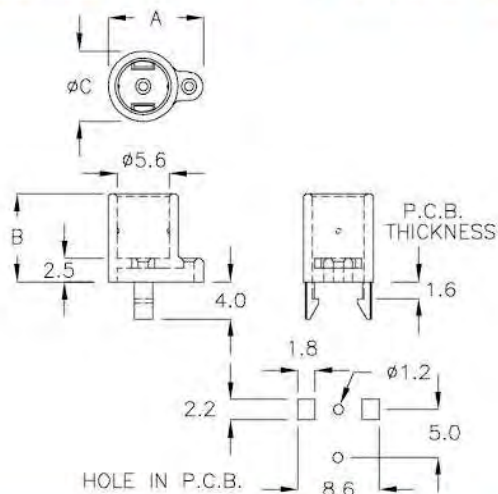


電感固定座 INDUCTOR HOUSING

8-15-3

- MATERIAL: NYLON 66(UL)
- FLAME CLASS: 94V-0
- COLOR: NATURAL

PART NO	A	B	C	PACKAGE
CW-005	10.4	9.5	7.6	2000

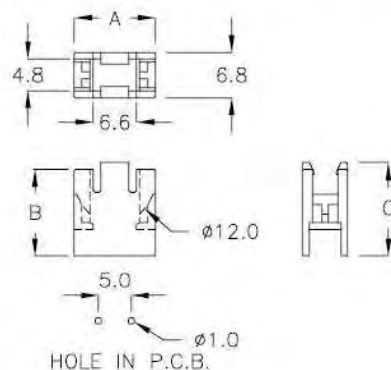


熱敏電阻座 PTC MOUNT

8-15-4

- MATERIAL: NYLON 66(UL)
- FLAME CLASS: 94V-0
- COLOR: NATURAL

PART NO	A	B	C	PACKAGE
PTC-2K	12.3	10.0	11.0	1000
PTC-05	12.3	13.0	14.1	

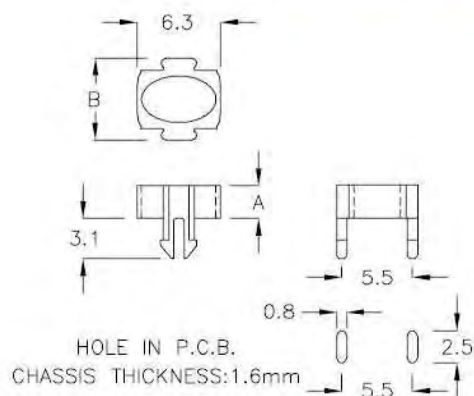




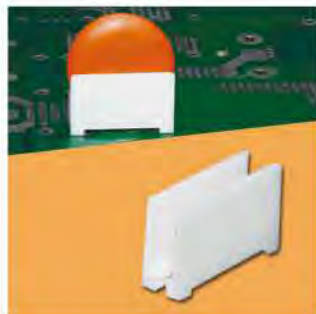
熱敏電阻座 NTC HOLDER

- MATERIAL: NYLON 66(UL)
- FLAME CLASS: 94V-0
- COLOR: BLACK

PART NO	A	B	PACKAGE
HUG-6A	2.5	6.5	2000



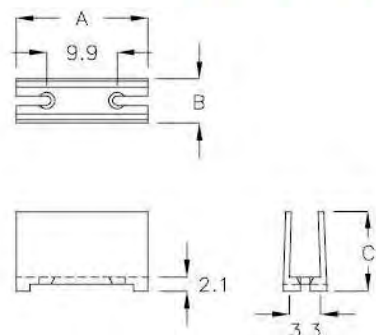
8-16-1



熱敏電阻座 NTC HOLDER

- MATERIAL: NYLON 66(UL)
- FLAME CLASS: 94V-0
- COLOR: NATURAL

PART NO	A	B	C	PACKAGE
HU-1	16.2	5.3	9.9	1000



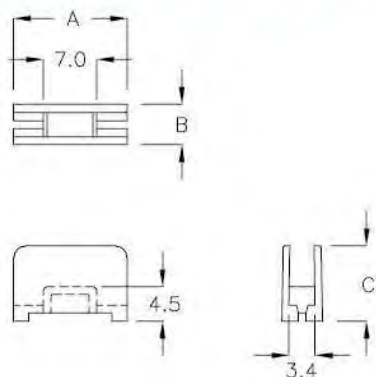
8-16-2



熱敏電阻座 NTC HOLDER

- MATERIAL: NYLON 66(UL)
- FLAME CLASS: 94V-0
- COLOR: NATURAL

PART NO	A	B	C	PACKAGE
HU-1PS	15.0	5.3	9.9	1000



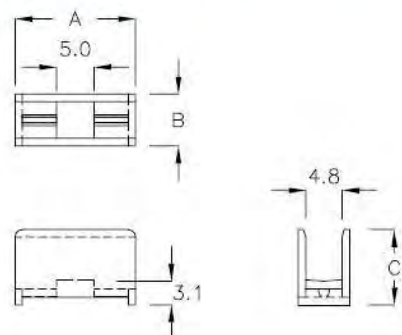
8-16-3



熱敏電阻座 NTC HOLDER

- MATERIAL: PPS(UL)
- FLAME CLASS: 94V-0
- COLOR: BLACK

PART NO	A	B	C	PACKAGE
HU-1C	16.0	6.8	9.9	1000



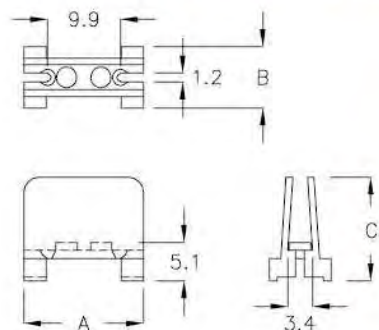
8-16-4



熱敏電阻座 NTC HOLDER 8-17-1

- MATERIAL: NYLON 66(UL)
- FLAME CLASS: 94V-0
- COLOR: NATURAL

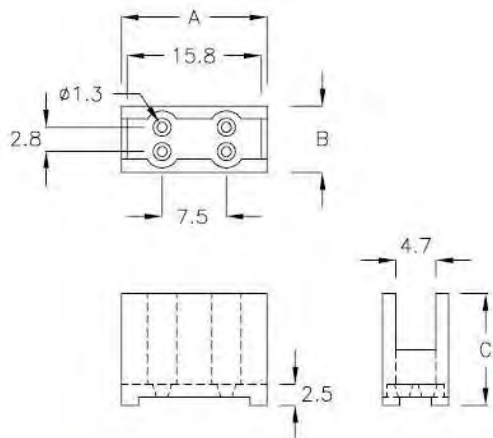
PART NO	A	B	C	PACKAGE
HU-1A	16.2	8.3	13.9	500



熱敏電阻座 NTC HOLDER 8-17-2

- MATERIAL: PBT(UL)
- FLAME CLASS: 94V-0
- COLOR: NATURAL

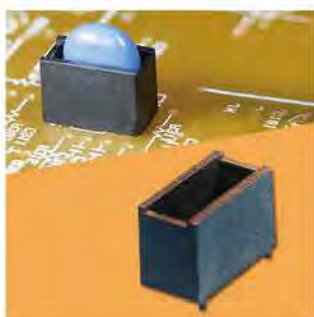
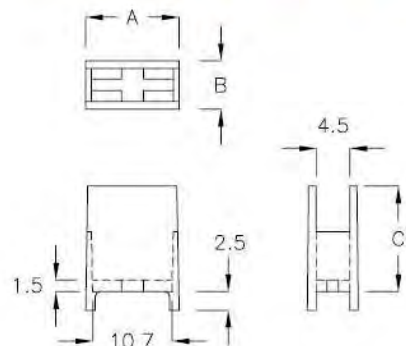
PART NO	A	B	C	PACKAGE
HU-3	17.2	7.7	13.1	500



熱敏電阻座 NTC HOLDER 8-17-3

- MATERIAL: PPS(UL)
- FLAME CLASS: 94V-0
- COLOR: BLACK

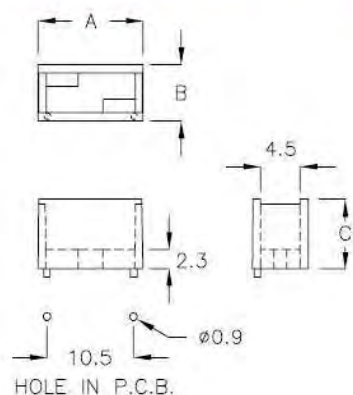
PART NO	A	B	C	PACKAGE
HU-4	12.6	6.8	14.1	500

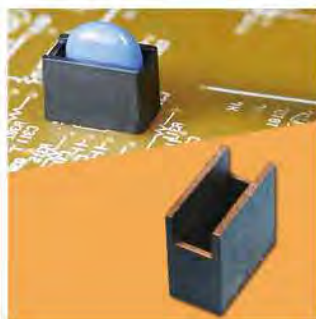


熱敏電阻座 NTC HOLDER 8-17-4

- MATERIAL: PPS(UL)
- FLAME CLASS: 94V-0
- COLOR: BLACK

PART NO	A	B	C	PACKAGE
HU-4A	12.7	6.8	8.5	500



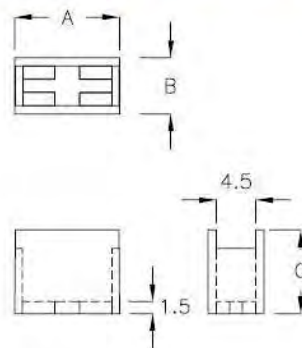


熱敏電阻座 NTC HOLDER

8-18-1

- MATERIAL: PPS(UL)
- FLAME CLASS: 94V-0
- COLOR: BLACK

PART NO	A	B	C	PACKAGE
HU-4C	12.7	6.8	12.0	500

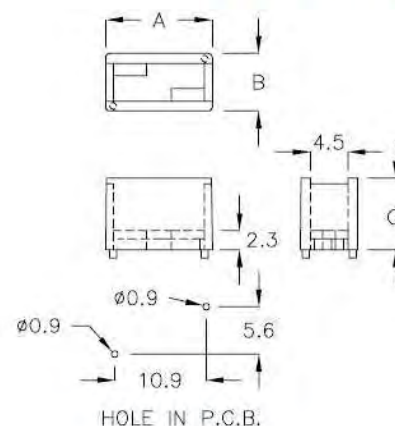


熱敏電阻座 NTC HOLDER

8-18-2

- MATERIAL: PPS(UL)
- FLAME CLASS: 94V-0
- COLOR: BLACK

PART NO	A	B	C	PACKAGE
HU-4TX	12.7	6.8	8.5	500

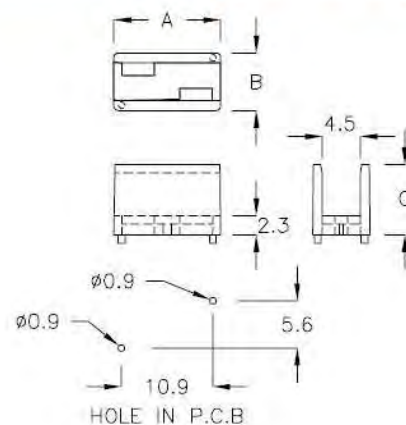


熱敏電阻座 NTC HOLDER

8-18-3

- MATERIAL: PPS(UL)
- FLAME CLASS: 94V-0
- COLOR: BLACK

PART NO	A	B	C	PACKAGE
HUX-4K	12.7	6.8	8.4	500

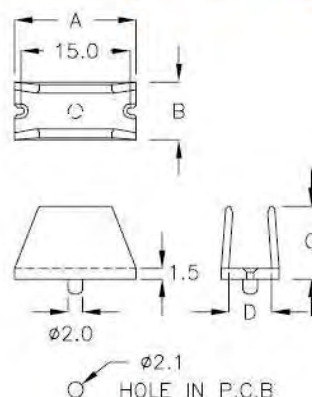


電容器座 CAPACITOR HOUSING

8-18-4

- MATERIAL: NYLON 66(UL)
- FLAME CLASS: 94V-0
- COLOR: NATURAL

PART NO	A	B	C	D	PACKAGE
CWA-4A	16.7	7.9	10.0	6.5	200
CWA-4C	16.7	7.2	10.0	5.2	
CWA-4KH	16.7	7.9	10.0	5.9	

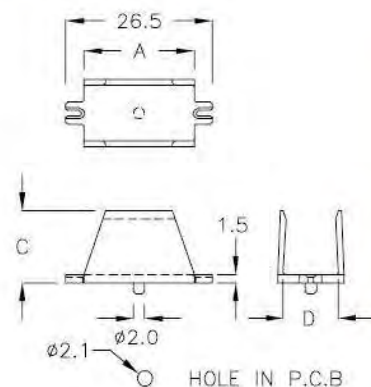




電容器座 CAPACITOR HOUSING 8-19-1

- MATERIAL: NYLON 66(UL)
- FLAME CLASS: 94V-0
- COLOR: NATURAL

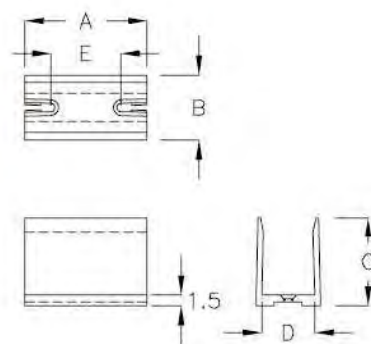
PART NO	A	C	D	PACKAGE
CWA-10	20.0	13.0	10.0	100



電容器座 CAPACITOR HOUSING 8-19-2

- MATERIAL: NYLON 66(UL)
- FLAME CLASS: 94V-0
- COLOR: NATURAL

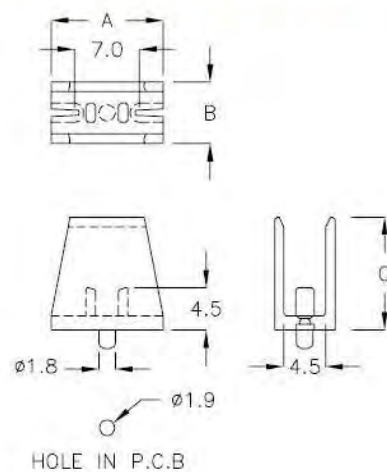
PART NO	A	B	C	D	E	PACKAGE
CWR-2C	17.5	9.2	12.5	7.6	10.0	200
CWR-26SK	26.3	11.7	10.0	10.2	21.7	



熱敏電阻座 NTC HOLDER 8-19-3

- MATERIAL: NYLON 66(UL)
- FLAME CLASS: 94V-0
- COLOR: NATURAL

PART NO	A	B	C	PACKAGE
CWA-4F	12.0	6.5	12.0	500

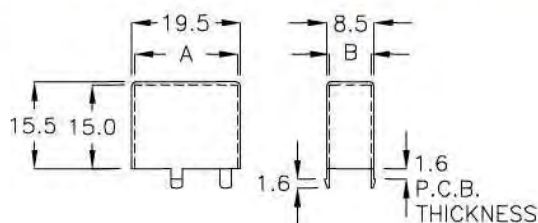




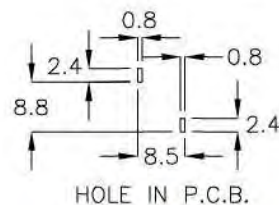
電容器座 E-CAP HOUSING

8-20-1

- MATERIAL: NYLON 66(UL)
- FLAME CLASS: 94V-0
- COLOR: BLACK



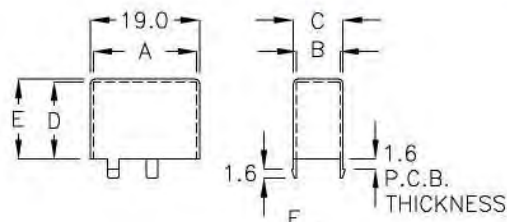
PART NO.	A	B	PACKAGE
CWW-19H	18.5	7.5	500



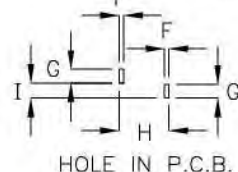
電容器座 E-CAP HOUSING

8-20-2

- MATERIAL: NYLON 66(UL)
- FLAME CLASS: 94V-0
- COLOR: BLACK



PART NO.	A	B	C	D	E	F	G	H	I	PACKAGE
CWW-19PJ	18.0	7.7	8.7	13.3	13.8	0.8	2.4	8.7	2.2	500
CWW-19AN	18.0	16.0	17.0	16.0	16.5	1.15	1.9	17.0	9.0	



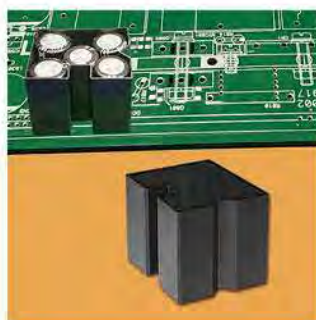
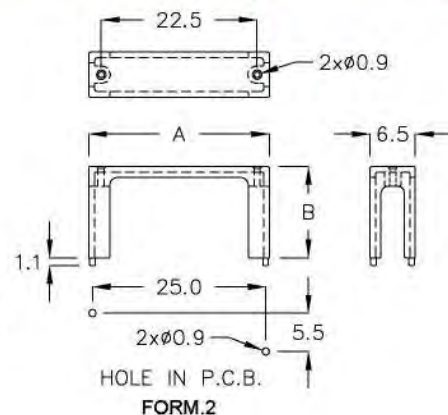
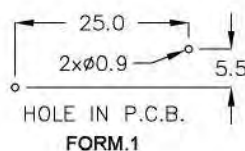
固定座 MOUNT

8-20-3

- MATERIAL: PPS(UL)
- FLAME CLASS: 94V-0
- COLOR: BLACK

NEW

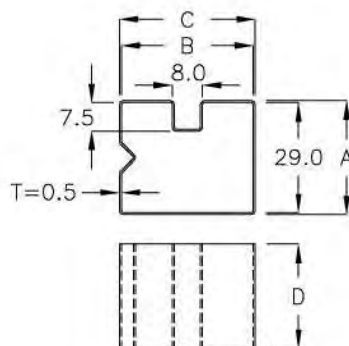
PART NO.	A	B	FORM	PACKAGE
★ MNS-26DT	26.0	13.1	1	500
★ MNS-26KH	26.0	10.0	2	



電容絕緣片 E-CAP INSULATING STRIP

8-20-4

- MATERIAL: PP
- FLAME CLASS: 94V-0
- COLOR: BLACK



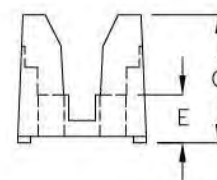
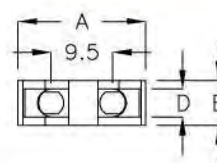
PART NO.	A	B	C	D	PACKAGE
CWU-36	30.0	35.0	36.0	27.5	675



熱敏電阻座 NTC HOLDER — 8-21-1

- MATERIAL: PBT(UL)
- FLAME CLASS: 94V-0
- COLOR: NATURAL

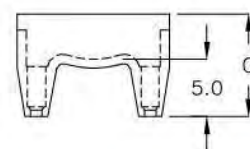
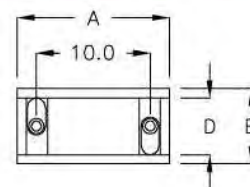
PART NO	A	B	C	D	E	PACKAGE
HU-5	20.0	7.4	20.0	4.6	7.5	500
HU-008	19.9	9.4	15.9	6.5	7.9	



熱敏電阻座 NTC HOLDER — 8-21-2

- MATERIAL: NYLON 66(UL)
- FLAME CLASS: 94V-0
- COLOR: NATURAL

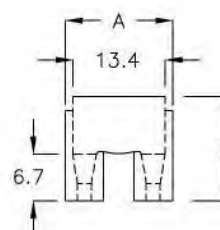
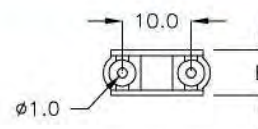
PART NO	A	B	C	D	PACKAGE
HU-05A	13.4	6.6	9.0	5.0	500



Y 電容座 Y CAPACITOR HOLDER — 8-21-3

- MATERIAL: NYLON 66(UL)
- FLAME CLASS: 94V-0
- COLOR: NATURAL

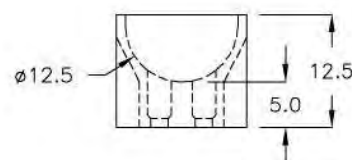
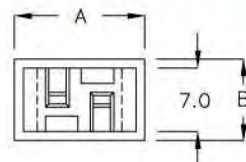
PART NO	A	B	C	PACKAGE
HU-05D	15.6	6.6	15.0	500



熱敏電阻座 NTC HOLDER — 8-21-4

- MATERIAL: PBT(UL)
- FLAME CLASS: 94V-0
- COLOR: NATURAL

PART NO	A	B	PACKAGE
HU-15	14.5	9.0	500

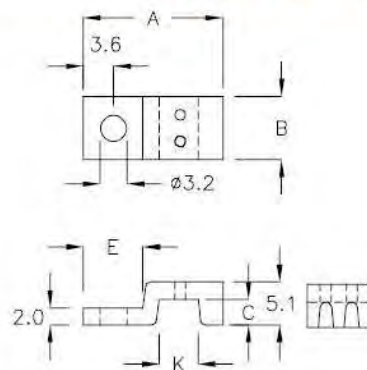




熱敏電阻座 NTC HOLDER

- MATERIAL: PBT(UL)
- FLAME CLASS: 94V-0
- COLOR: NATURAL

PART NO	A	B	C	E	K	PACKAGE
HU-7	16.6	7.5	3.0	7.1	4.6	1000
HU-7FG	16.6	7.5	3.0	7.0	6.1	
HU-07H	16.6	7.5	2.6	7.1	6.1	
HU-07L	16.6	7.5	3.5	7.1	5.9	



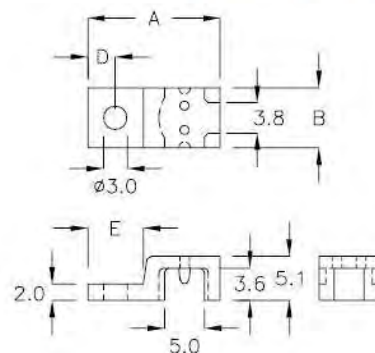
8-22-1



熱敏電阻座 NTC HOLDER

- MATERIAL: PBT(UL)
- FLAME CLASS: 94V-0
- COLOR: NATURAL

PART NO	A	B	D	E	PACKAGE
HU-07A	16.7	7.5	3.5	7.0	1000
HU-07K	19.5	7.5	3.3	9.8	
HU-07P	19.5	7.5	3.5	10.0	



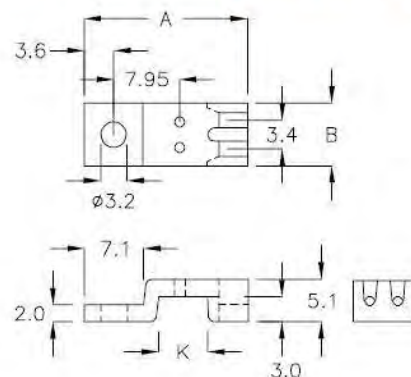
8-22-2



熱敏電阻座 NTC HOLDER

- MATERIAL: PBT(UL)
- FLAME CLASS: 94V-0
- COLOR: NATURAL

PART NO	A	B	K	PACKAGE
HU-07C	19.8	7.5	5.9	1000
HU-07J	20.8	7.5	6.9	
HU-07Q	19.8	7.5	7.4	



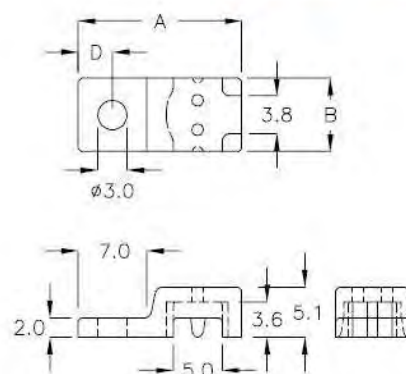
8-22-3



熱敏電阻座 NTC HOLDER

- MATERIAL: PBT(UL)
- FLAME CLASS: 94V-0
- COLOR: NATURAL

PART NO	A	B	D	PACKAGE
HU-7AC	16.7	7.5	3.5	1000



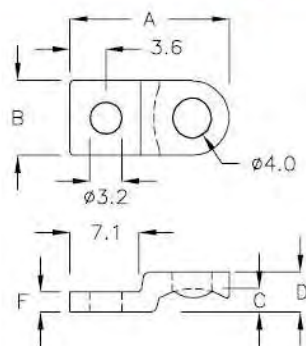
8-22-4



熱敏電阻座 NTC HOLDER

8-23-1

- MATERIAL: PBT(UL)
- FLAME CLASS: 94V-0
- COLOR: NATURAL



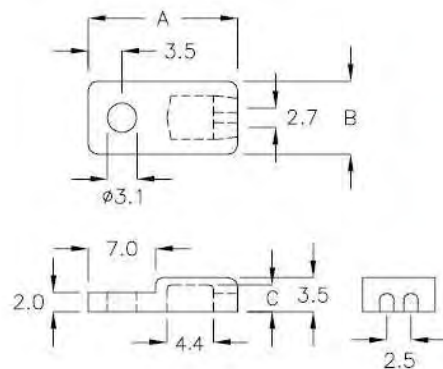
PART NO	A	B	C	D	F	PACKAGE
HU-07F	16.0	7.5	2.2	4.1	2.0	1000
HU-7PK	16.0	7.5	2.2	4.15	2.15	



熱敏電阻座 NTC HOLDER

8-23-2

- MATERIAL: PBT(UL)
- FLAME CLASS: 94V-0
- COLOR: NATURAL



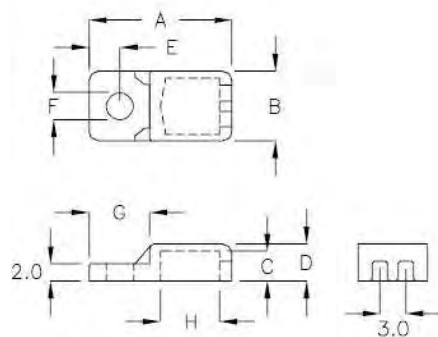
PART NO	A	B	C	PACKAGE
HU-07M	15.5	7.5	2.8	1000



熱敏電阻座 NTC HOLDER

8-23-3

- MATERIAL: PBT(UL)
- FLAME CLASS: 94V-0
- COLOR: NATURAL



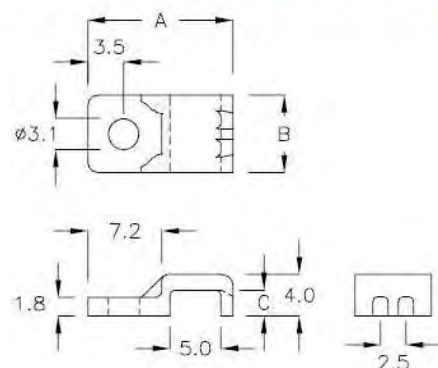
PART NO	A	B	C	D	E	F	G	H	PACKAGE
HU-7WF	16.55	8.0	3.5	4.3	3.6	3.2	7.0	6.9	1000
HU-8DM	16.7	7.5	3.0	4.0	3.5	3.0	8.0	5.7	



熱敏電阻座 NTC HOLDER

8-23-4

- MATERIAL: PBT(UL)
- FLAME CLASS: 94V-0
- COLOR: NATURAL



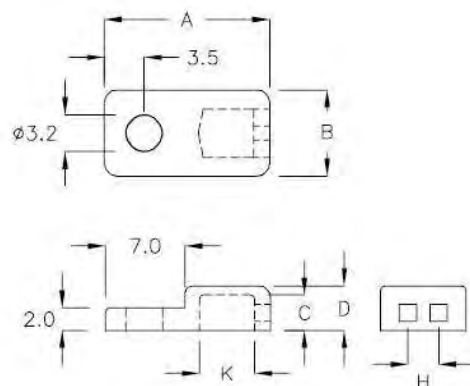
PART NO	A	B	C	PACKAGE
HU-7LA	14.2	7.5	2.5	1000



熱敏電阻座 NTC HOLDER

8-24-1

- MATERIAL: PBT(UL)
- FLAME CLASS: 94V-0
- COLOR: NATURAL



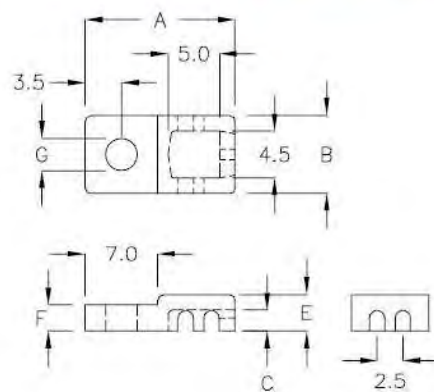
PART NO	A	B	C	D	K	H	PACKAGE
HU-07W	14.5	7.5	3.1	3.9	4.85	2.7	1000
HU-7AW	14.5	7.5	2.7	3.5	4.85	2.7	
HU-7WC	16.5	8.0	3.5	4.3	6.9	2.7	
HU-7WD	15.5	7.5	3.1	3.9	4.85	2.7	
HU-7QN	16.5	8.0	3.5	4.3	6.9	3.5	



熱敏電阻座 NTC HOLDER

8-24-2

- MATERIAL: PBT(UL)
- FLAME CLASS: 94V-0
- COLOR: NATURAL



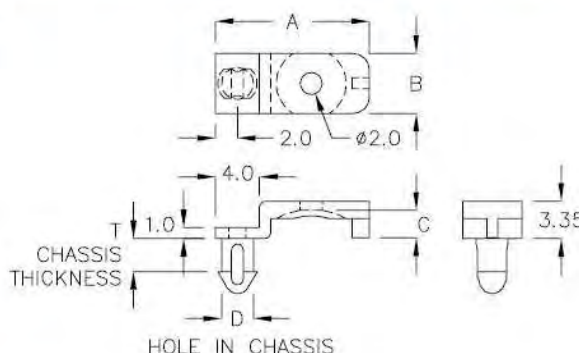
PART NO	A	B	C	E	F	G	PACKAGE
HU-7MA	14.5	7.5	2.0	3.5	2.5	∅3.2	1000
HU-7MK	14.5	7.5	2.8	3.5	2.5	∅3.1	
HU-7RH	14.5	7.5	1.8	3.3	2.3	∅3.2	



熱敏電阻座 NTC HOLDER

8-24-3

- MATERIAL: NYLON 66(UL)
- FLAME CLASS: 94V-0
- COLOR: NATURAL



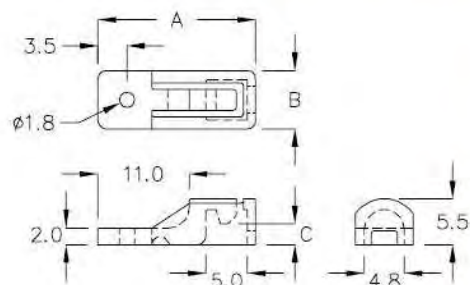
PART NO	A	B	G	D HOLE IN CHASSIS	T CHASSIS THICKNESS	PACKAGE
HU-07U	14.0	5.4	2.55	∅3.0	2.8	1000



熱敏電阻座 NTC HOLDER

8-25-1

- MATERIAL: NYLON 66(UL)
- FLAME CLASS: 94V-0
- COLOR: NATURAL



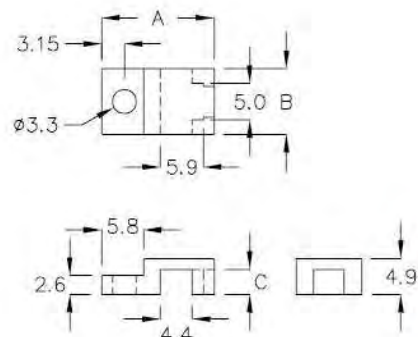
PART NO	A	B	C	PACKAGE
HUH-19	19.0	7.0	2.5	500



熱敏電阻座 NTC HOLDER

8-25-2

- MATERIAL: PBT(UL)
- FLAME CLASS: 94V-0
- COLOR: NATURAL



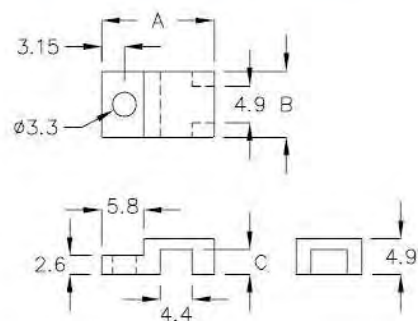
PART NO	A	B	C	PACKAGE
HU-09	15.5	9.0	3.4	1000



熱敏電阻座 NTC HOLDER

8-25-3

- MATERIAL: PBT(UL)
- FLAME CLASS: 94V-0
- COLOR: NATURAL



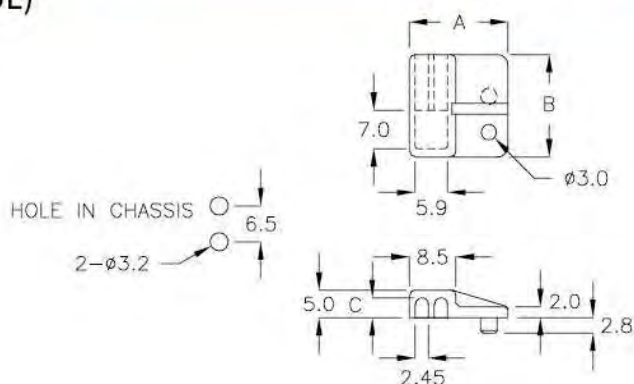
PART NO	A	B	C	PACKAGE
HU-09A	15.5	9.0	3.4	1000



熱敏電阻座 NTC HOLDER

8-25-4

- MATERIAL: NYLON 66(UL)
- FLAME CLASS: 94V-0
- COLOR: NATURAL



PART NO	A	B	C	PACKAGE
HU-09D	18.0	18.6	3.6	1000

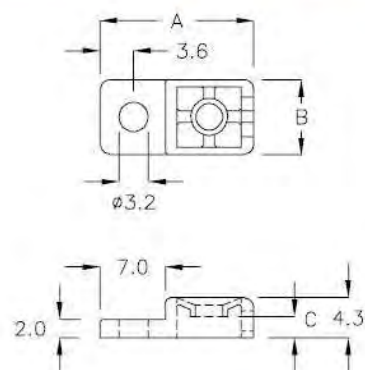


熱敏電阻座 NTC HOLDER

8-26-1

- MATERIAL: NYLON 66(UL)
- FLAME CLASS: 94V-0
- COLOR: NATURAL

PART NO	A	B	C	PACKAGE
HUD-01	16.55	8.0	2.3	1000

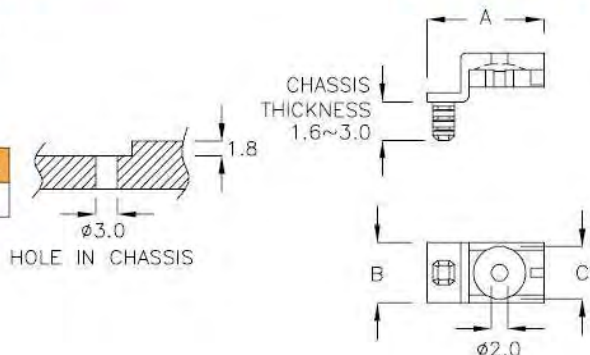


熱敏電阻座 NTC HOLDER

8-26-2

- MATERIAL: NYLON 66(UL)
- FLAME CLASS: 94V-0
- COLOR: NATURAL

PART NO	A	B	C	PACKAGE
HUA-04	14.0	7.2	6.2	1000

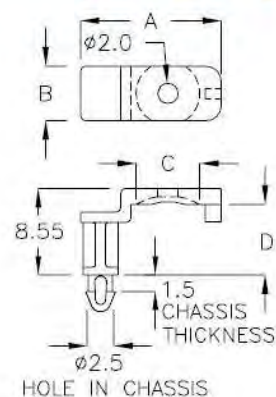


熱敏電阻座 NTC HOLDER

8-26-3

- MATERIAL: NYLON 66(UL)
- FLAME CLASS: 94V-0
- COLOR: NATURAL

PART NO	A	B	C	D	PACKAGE
HU-7FT	14.0	5.4	6.35	7.0	1000

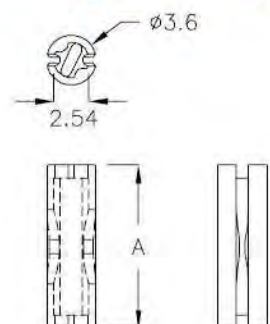


熱敏電阻座 NTC HOLDER

8-26-4

- MATERIAL: NYLON 66(UL)
- FLAME CLASS: 94V-2
- COLOR: NATURAL

PART NO	A	PACKAGE
HUL-12CP	12.0	1000



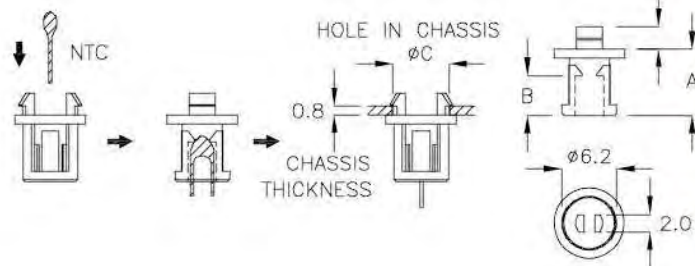


熱敏電阻座 NTC HOLDER

8-27-1

- MATERIAL: NYLON 66(UL)
- FLAME CLASS: 94V-0
- COLOR: BLACK

PART NO	A	B	C	PACKAGE
HUC-01	7.5	4.5	6.4	2000

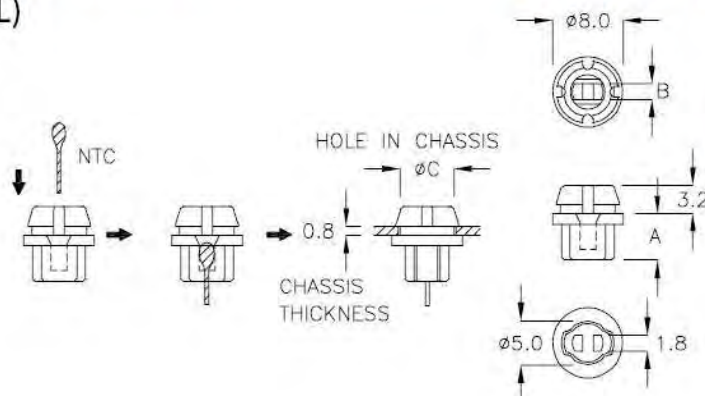


熱敏電阻座 NTC HOLDER

8-27-2

- MATERIAL: TPR(UL)
- COLOR: BLACK

PART NO	A	B	C	PACKAGE
HUC-02	5.2	1.8	6.4	2000

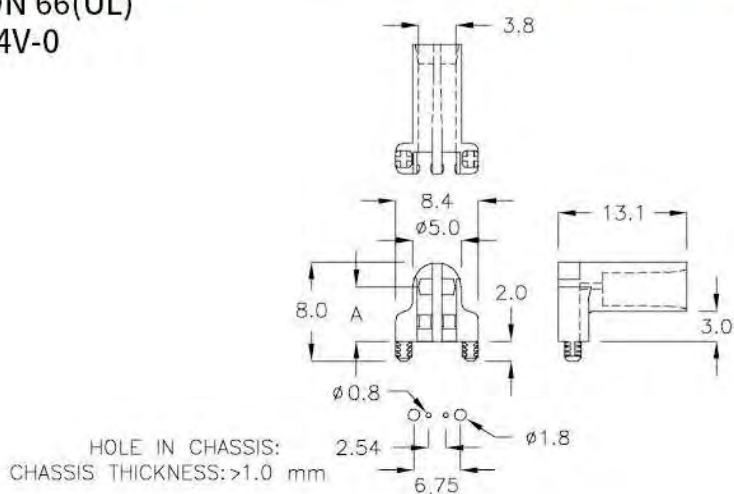


熱敏電阻座 NTC HOLDER

8-27-3

- MATERIAL: NYLON 66(UL)
- FLAME CLASS: 94V-0
- COLOR: BLACK

PART NO	A	PACKAGE
HUP-05	5.5	500



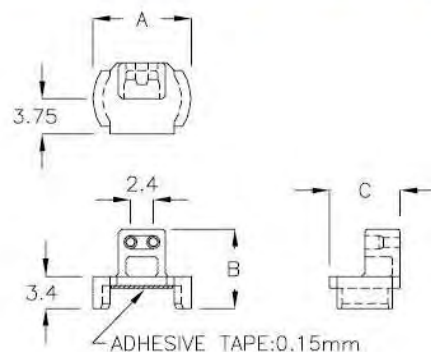


熱敏電阻座 NTC HOLDER

8-28-1

- MATERIAL: NYLON 66(UL)
- FLAME CLASS: 94V-0
- COLOR: NATURAL

PART NO	A	B	C	PACKAGE
DXW-8A	10.5	8.4	7.5	1000

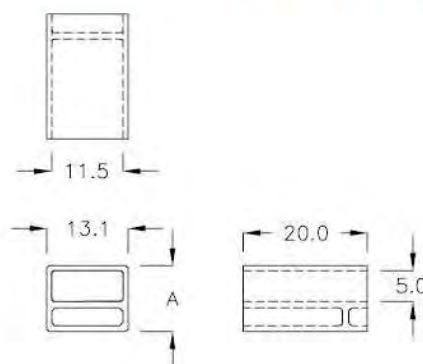


熱敏電阻座 NTC HOLDER

8-28-2

- MATERIAL: PPS(UL)
- FLAME CLASS: 94V-0
- COLOR: BLACK

PART NO	A	PACKAGE
HUM-20K	10.6	500

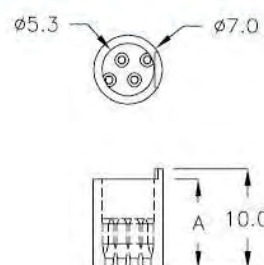


光感應器座 LIGHT SENSOR HOLDER

8-28-3

- MATERIAL: NYLON 66(UL)
- FLAME CLASS: 94V-2
- COLOR: NATURAL

PART NO	A	PACKAGE
MTU-09	9.0	1000

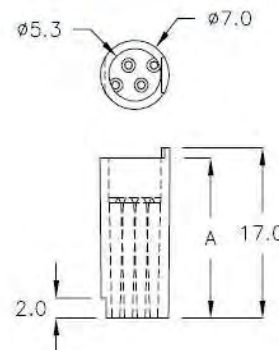


光感應器座 LIGHT SENSOR HOLDER

8-28-4

- MATERIAL: NYLON 66(UL)
- FLAME CLASS: 94V-2
- COLOR: NATURAL

PART NO	A	PACKAGE
MTU-16D	16.0	500



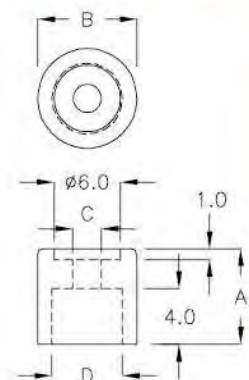


華司 WASHER

8-29-1

- MATERIAL: NYLON 66(UL)
- FLAME CLASS: 94V-2
- COLOR: NATURAL

PART NO	A	B	C	D	PACKAGE
U-6A	6.5	ø9.0	ø2.6	ø6.4	2000

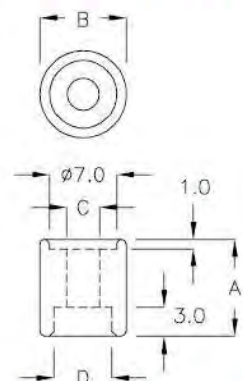


華司 WASHER

8-29-2

- MATERIAL: NYLON 66(UL)
- FLAME CLASS: 94V-2
- COLOR: NATURAL

PART NO	A	B	C	D	PACKAGE
U-10A	10.0	ø9.0	ø3.4	ø6.0	1000

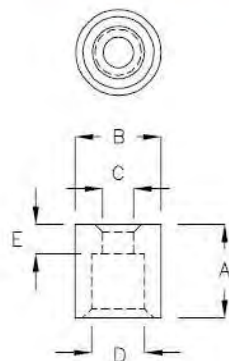


華司 WASHER

8-29-3

- MATERIAL: NYLON 66(UL)
- FLAME CLASS: 94V-2
- COLOR: NATURAL

PART NO	A	B	C	D	E	PACKAGE
UWA-01	9.9	ø9.2	ø3.3	ø5.6	3.1	1000

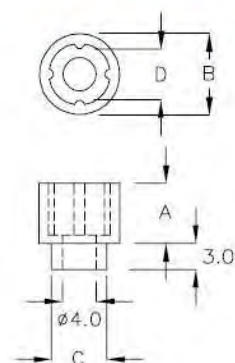


圓體間隔柱 SPACER SUPPORT

8-29-4

- MATERIAL: NYLON 66(UL)
- FLAME CLASS: 94V-2
- COLOR: NATURAL

PART NO	A	B	C	D	PACKAGE
UWB-07	7.0	ø9.4	ø6.5	ø5.9	1000

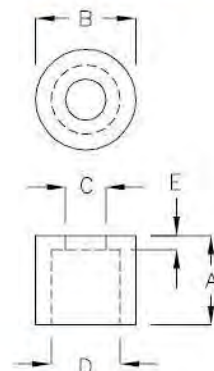




華司 WASHER

8-30-1

- MATERIAL: NYLON 66(UL)
- FLAME CLASS: 94V-2
- COLOR: NATURAL



PART NO	A	φB	φC	φD	E	PACKAGE
U-2DK	2.5	7.0	3.8	5.0	1.0	2000
U-3	3.2	6.0	3.1	4.4	0.7	
U-3A	3.2	6.0	3.0	5.0	1.2	
U-3C	3.0	5.0	2.2	4.0	0.5	
U-3S	3.3	5.0	2.2	4.1	1.3	
U-4	4.2	6.0	2.2	4.3	1.3	
U-04D	4.8	10.5	6.2	9.4	0.5	
U-4FR	4.5	8.5	4.5	7.0	1.0	
U-4HK	4.5	9.1	5.5	6.8	2.7	
U-4S	4.3	5.0	2.2	4.2	1.2	
U-4WP	4.25	8.0	5.2	7.1	2.25	
U-5	4.6	8.0	4.0	6.5	1.6	
U-5C	5.6	8.0	4.0	6.5	1.6	
U-5H	5.0	9.0	5.3	8.0	0.5	

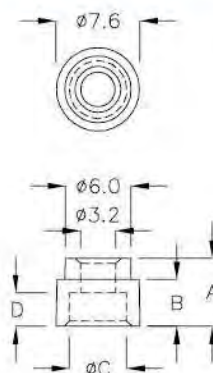
PART NO	A	φB	φC	φD	E	PACKAGE
U-5T	5.0	9.5	6.0	8.5	0.5	2000
U-05D	5.7	8.0	3.5	6.1	0.5	
U-6	6.5	8.0	3.5	6.1	0.85	
U-06C	6.0	10.5	6.5	9.5	0.5	
U-06D	6.5	10.4	6.9	9.4	0.5	1000
U-7	7.7	11.0	3.2	6.7	2.1	2000
U-7A	3.5	8.0	3.5	5.7	1.2	
U-07C	7.0	10.0	3.5	7.5	2.0	1000
U-8	7.7	11.0	4.0	7.1	1.6	
U-8A	7.5	12.4	8.2	11.4	0.5	
U-8S	7.7	11.0	4.0	7.1	2.0	
U-10	3.6	12.0	4.0	10.1	1.5	
U-12	12.0	10.0	3.2	6.3	1.5	
U-12A	12.0	8.5	4.5	7.0	6.0	



華司 WASHER

8-30-2

- MATERIAL: NYLON 66(UL)
- FLAME CLASS: 94V-2
- COLOR: NATURAL



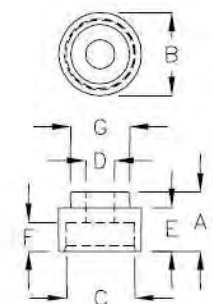
PART NO	A	B	C	D	PACKAGE
UWC-01	6.1	4.2	5.2	3.0	1000



華司 WASHER

8-30-3

- FLAME CLASS: 94V-0
- COLOR: NATURAL



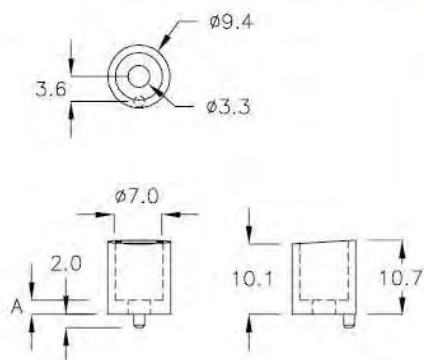
PART NO	MATERIAL	A	B	C	D	E	F	G	PACKAGE
UWT-5AC	N66	6.6	φ8.1	φ7.2	φ3.1	5.0	4.2	φ4.0	1000
UWT-6QR	PBT	8.2	φ11.5	φ9.5	φ4.1	6.0	4.0	φ8.2	2000



華司 WASHER

8-31-1

- MATERIAL: NYLON 66(UL)
- FLAME CLASS: 94V-2
- COLOR: NATURAL



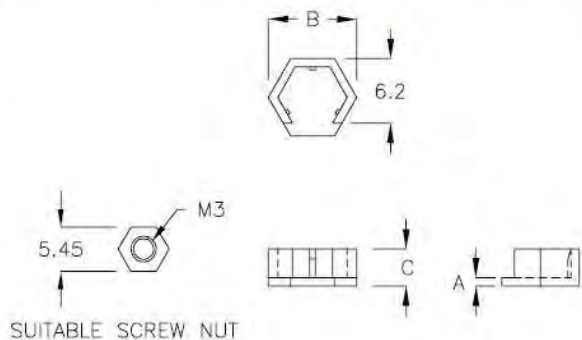
PART NO	A	PACKAGE
WRA-02	1.0	1000



華司 WASHER

8-31-2

- MATERIAL: NYLON 46(UL)
- FLAME CLASS: 94V-0
- COLOR: NATURAL
- SUITABLE NUT: M3 NUT



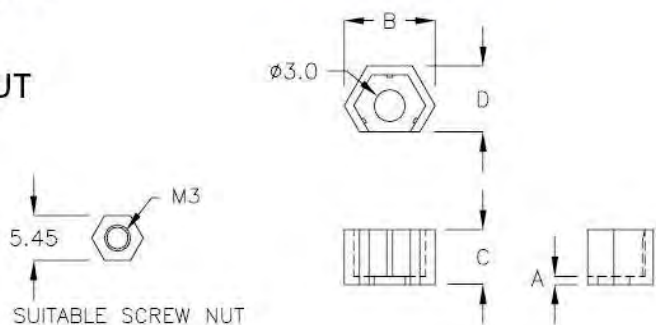
PART NO	A	B	C	PACKAGE
U-05M	0.8	8.6	3.6	2000



華司 WASHER

8-31-3

- MATERIAL: NYLON 46(UL)
- FLAME CLASS: 94V-0
- COLOR: NATURAL
- SUITABLE NUT: M3 NUT



PART NO	A	B	C	D	PACKAGE
U-05J	0.8	8.6	5.2	6.25	2000
U-05Y	0.8	7.8	4.0	5.8	
U-5QF	0.8	8.6	4.0	6.25	

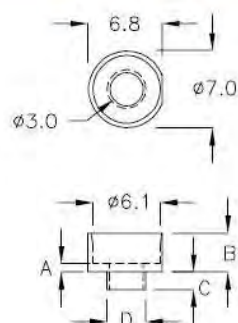


華司 WASHER

8-32-1

- FLAME CLASS: 94V-0
- COLOR: NATURAL, BLACK

PART NO	MATERIAL	A	B	C	D	PACKAGE
U-03D	N46	0.8	3.5	1.6	φ3.5	2000
U-03F	N46	0.8	3.8	2.2	φ3.5	
U-03L	N46	0.8	5.0	1.6	φ3.5	
U-03R	N46	0.8	2.5	2.2	φ3.5	
U-4RY	N66	0.8	4.0	3.5	φ3.8	
U-4XQ	PPS	0.8	3.9	2.0	φ3.5	
U-5AB	N46	1.9	4.9	2.4	φ3.5	
U-5AF	N46	1.9	3.9	2.4	φ3.5	
U-5KW	N46	1.9	4.9	3.6	φ5.0	

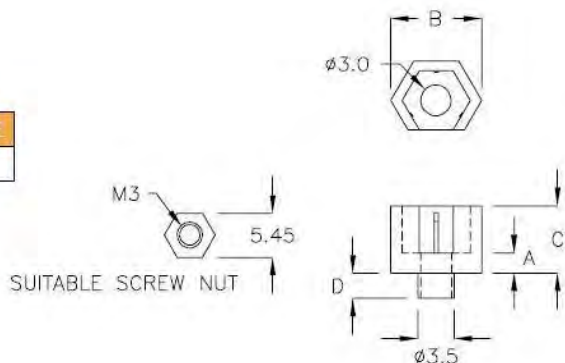


華司 WASHER

8-32-2

- MATERIAL: NYLON 46(UL)
- FLAME CLASS: 94V-0
- COLOR: NATURAL
- SUITABLE NUT: M3 NUT

PART NO	A	B	C	D	PACKAGE
U-5CG	1.9	8.6	6.4	2.4	2000

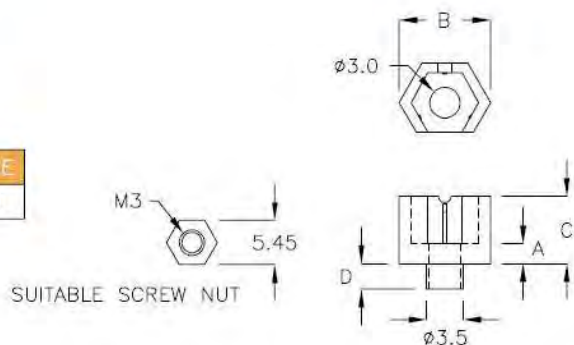


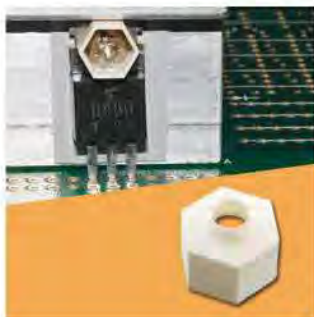
華司 WASHER

8-32-3

- MATERIAL: NYLON 46(UL)
- FLAME CLASS: 94V-0
- COLOR: NATURAL
- SUITABLE NUT: M3 NUT

PART NO	A	B	C	D	PACKAGE
U-5NR	1.9	8.6	6.0	2.2	2000



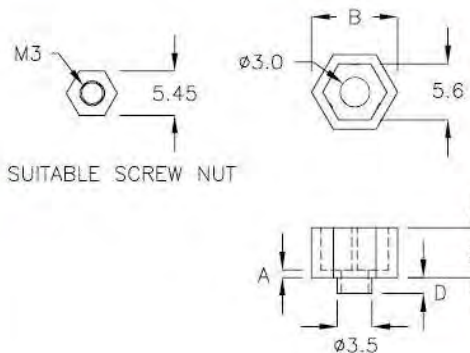


華司 WASHER

8-33-1

- MATERIAL: NYLON 46(UL)
- FLAME CLASS: 94V-0
- COLOR: NATURAL
- SUITABLE NUT: M3 NUT

PART NO	A	B	C	D	PACKAGE
U-05L	0.8	8.6	5.0	1.6	2000
U-05K	0.8	8.6	5.2	2.2	
U-05W	0.8	8.6	4.0	1.6	
U-5CF	1.9	8.6	6.3	2.4	
U-5CH	0.8	8.6	5.2	1.6	

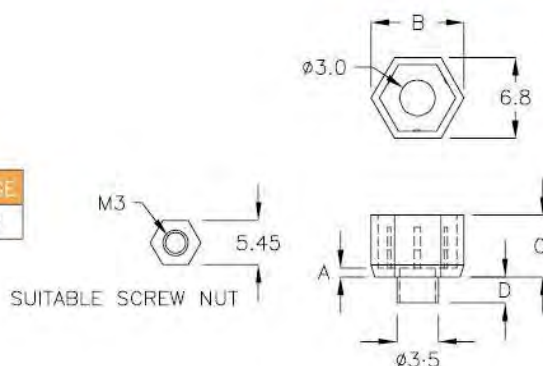


華司 WASHER

8-33-2

- MATERIAL: NYLON 66(UL)
- FLAME CLASS: 94V-0
- COLOR: NATURAL
- SUITABLE NUT: M3 NUT

PART NO	A	B	C	D	PACKAGE
U-05P	0.8	7.85	5.2	2.2	2000

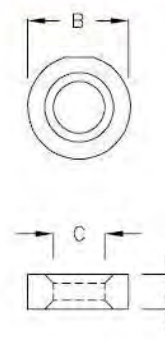


華司 WASHER

8-33-3

- MATERIAL: NYLON 66(UL)
- FLAME CLASS: 94V-2
- COLOR: BLACK
- WITH COUNTERSUNK SCREW

PART NO	A	B	C	PACKAGE
WS-3KP	2.0	φ6.0	φ3.0	2000
WS-3MD	2.0	φ6.0	φ3.7	
WS-3QR	1.8	φ5.8	φ3.5	

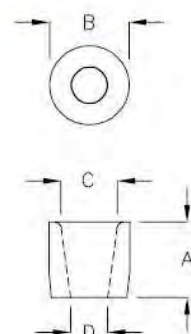


華司 WASHER

8-33-4

- MATERIAL: NYLON 66(UL)
- FLAME CLASS: 94V-2
- COLOR: BLACK

PART NO	A	B	C	D	PACKAGE
SHC-06	6.0	φ6.5	φ4.6	φ3.0	2000



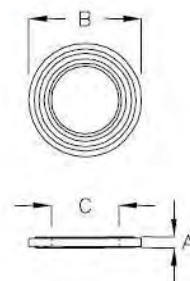


O 型環 ORING

8-34-1

- MATERIAL: SILICONE
- COLOR: BLACK

PART NO	A	B	C	PACKAGE
OPW-7A	1.5	∅13.5	∅7.2	1000
OPW-9CD	1.5	∅15.5	∅9.3	
OPW-15D	1.8	∅21.4	∅15.65	
OPW-19M	1.8	∅26.7	∅19.5	
OPW-20	1.8	∅28.2	∅20.0	
OPW-24A	2.0	∅31.5	∅24.3	

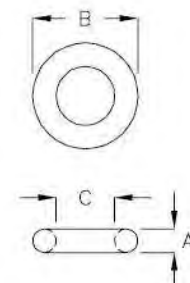


O 型環 ORING

8-34-2

- MATERIAL: SILICONE
- COLOR: BLACK, ORANGE

PART NO	A	B	C	PACKAGE
OIL-02C	1.0	∅4.5	∅2.5	5000
OIL-10	1.5	∅13.0	∅10.0	2000

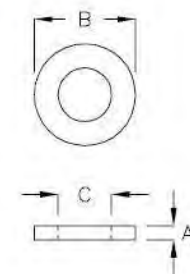


華司 WASHER

8-34-3

- MATERIAL: SILICONE
- COLOR: BLACK

PART NO	A	B	C	PACKAGE
UWX-11	1.5	∅11.0	∅5.8	1000
WSR-11RM	1.5	∅18.0	∅11.9	2500

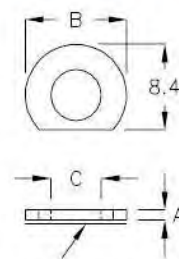


華司 WASHER

8-34-4

- MATERIAL: SILICONE
- COLOR: BLACK
- ADHESIVE TAPE: 3M or EQUIVALENT

PART NO	A	B	C	PACKAGE
WSU-10	1.0	∅10.0	∅5.0	2000



DOUBLE COATED TAPE

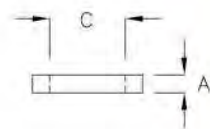
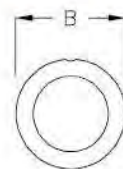


華司 WASHER

8-35-1

- MATERIAL: NYLON 66(UL)
- FLAME CLASS: 94V-2
- COLOR: NATURAL

PART NO	A	B	C	PACKAGE
MYC-18Y	0.5	ø18.7	ø14.5	1000



螺絲蓋 SCREW COVER

8-35-2

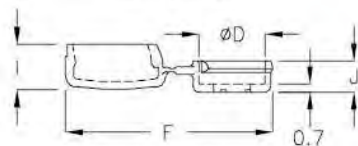
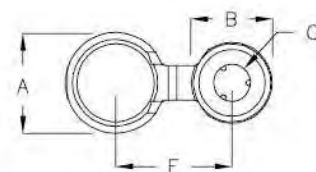
- MATERIAL: NYLON 66(UL)
- FLAME CLASS: 94V-2
- COLOR: BLACK

美觀保護螺絲

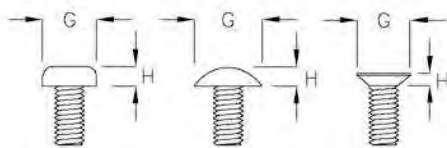
Better appearance and with Protection .

如有其他顏色需求, 歡迎來電詢問

If you have other color request, kindly feel free to contact with us.



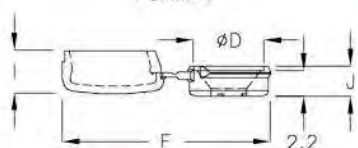
FORM.4



FORM.1

FORM.2

FORM.3



FORM.5

PART NO	A	B	C	D	E	F	I	J	SUITABLE SCREW				PACKAGE	
									SCREW	FORM	C	H		
M3P-8A	ø8.7	ø6.7	ø3.2	ø5.7	10.0	17.9	3.9	2.7	M3	1	5.5	2.0	4	1000
M3T-10K	ø10.1	ø8.1	ø3.2	ø7.1	11.4	20.7	3.9	2.7	M3	2	6.9	1.9	4	
M3F-9W	ø9.2	ø7.2	ø3.2	ø6.2	10.5	18.9	4.1	3.0	M3	3	6.0	1.8	5	
M4P-10A	ø10.2	ø8.2	ø4.2	ø7.2	11.5	20.9	4.4	3.3	M4	1	7.0	2.6	4	
M4T-12K	ø12.6	ø10.6	ø4.2	ø9.6	13.9	25.7	4.4	3.3	M4	2	9.4	2.5	4	
M4F-11W	ø11.2	ø9.2	ø4.2	ø8.2	12.5	22.9	4.1	3.0	M4	3	8.0	2.3	5	
UN6K-10K	ø10.1	ø8.1	ø3.7	ø7.1	11.4	20.6	3.9	2.8	#6-32	1	6.9	2.1	4	
UN6K-9D	ø9.8	ø7.8	ø3.7	ø6.8	11.1	20.1	4.4	3.3	#6-32	2	6.6	2.6	4	
UN6K-10FQ	ø10.3	ø8.3	ø3.7	ø7.3	11.6	21.1	4.1	3.0	#6-32	3	7.1	2.1	5	

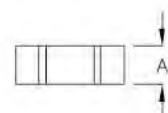
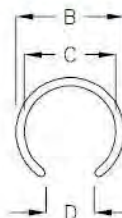


C型環 C RING

8-35-3

- MATERIAL: NYLON 66(UL)
- FLAME CLASS: 94V-2
- COLOR: NATURAL, BLACK

PART NO	A	B	C	D	PACKAGE
WCC-05	2.3	ø6.55	ø5.55	2.9	2000
WCC-5A	2.46	ø6.2	ø5.05	1.8	

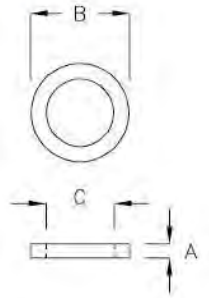




華司 WASHER

- MATERIAL: NYLON 66(UL)
- FLAME CLASS: 94V-2
- COLOR: NATURAL

8-36-1



PART NO	A	E	C	PACKAGE
WS-1BD	1.0	∅3.2	∅1.6	2000
WS-01N	0.45	∅3.9	∅1.85	
WS-2RK	1.0	∅4.0	∅2.0	
WS-2HR	1.0	∅4.1	∅2.2	
WS-0	0.4	∅4.2	∅2.5	
WS-04C	0.5	∅4.5	∅2.5	
WS-4KT	1.5	∅4.9	∅3.7	
WS-1D	1.0	∅5.0	∅2.7	
WS-1F	1.5	∅5.0	∅2.5	
WS-2DC	1.8	∅5.0	∅3.1	
WS-1B	0.5	∅5.5	∅2.5	
WS-1C	0.5	∅5.5	∅3.0	
WS-2FA	1.8	∅5.5	∅3.1	
WS-3GK	1.0	∅5.6	∅3.0	
WS-3A	1.4	∅5.6	∅2.9	
WS-6NZ	0.5	∅6.0	∅4.3	
WS-01L	0.8	∅6.0	∅3.1	
WS-2K	1.0	∅6.0	∅2.7	
WS-5HY	1.0	∅6.2	∅3.2	
WS-06K	1.5	∅6.35	∅3.3	
WS-06A	1.0	∅6.5	∅3.8	
WS-06C	1.35	∅6.8	∅4.9	
WS-07H	0.5	∅7.0	∅2.2	
WS-1R	0.6	∅7.0	∅4.6	
WS-1M	0.8	∅7.0	∅3.1	
WS-02M	1.0	∅7.0	∅3.2	
WS-3SB	1.0	∅7.0	∅3.5	
WS-07F	0.65	∅7.5	∅4.3	
WS-07C	1.55	∅7.5	∅5.1	
WS-08F	0.9	∅7.8	∅4.1	
WS-4	0.8	∅7.9	∅4.0	
WS-9	0.5	∅8.0	∅5.1	
WS-23	0.6	∅8.0	∅1.6	
WS-1S	0.7	∅8.0	∅3.0	
WS-8RM	0.8	∅8.0	∅3.2	
WS-6FP	0.8	∅8.0	∅5.8	
WS-1	1.0	∅8.0	∅3.2	
WS-57	1.6	∅8.0	∅3.0	
WS-9A	2.0	∅8.0	∅5.1	
WS-2	1.7	∅8.1	∅3.2	
WS-8MK	1.0	∅8.2	∅5.65	
WS-24	0.8	∅9.0	∅4.0	

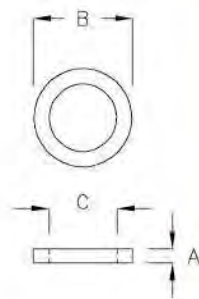
PART NO	A	B	C	PACKAGE
WS-9RC	0.75	∅9.0	∅5.85	2000
WS-9DK	0.75	∅9.0	∅6.25	
WS-9KR	0.8	∅9.0	∅4.4	
WS-4PS	1.0	∅9.0	∅4.5	
WS-06M	1.5	∅9.0	∅5.5	
WS-22	1.8	∅9.0	∅4.2	
WS-5KL	1.0	∅9.5	∅5.0	
WS-7DM	3.7	∅9.6	∅4.2	
WS-5	3.0	∅9.9	∅4.0	
WS-06D	0.8	∅10.0	∅6.7	
WS-10C	1.0	∅10.0	∅3.1	
WS-6	1.1	∅10.0	∅5.5	
WS-3	1.2	∅10.0	∅4.2	
WS-10F	2.65	∅10.0	∅6.6	
WS-10AC	3.0	∅10.0	∅6.6	
WS-7	3.5	∅10.0	∅6.0	
WS-10	4.0	∅10.0	∅3.6	1000
WS-10AH	0.4	∅10.2	∅6.5	2000
WS-11F	1.0	∅11.0	∅4.1	
WS-11MC	1.5	∅11.1	∅5.2	
WS-11KY	2.0	∅11.5	∅4.5	
WS-8	0.5	∅12.0	∅8.2	
WS-12S	1.0	∅12.0	∅3.1	
WS-12FG	1.0	∅12.0	∅7.4	
WS-12A	1.5	∅12.0	∅4.5	
WS-12	1.2	∅12.1	∅6.4	
WS-13	3.8	∅12.6	∅6.4	
WS-13A	4.2	∅13.0	∅3.6	2000
WS-13C	1.0	∅13.0	∅10.0	
WS-14	1.0	∅14.0	∅6.5	
WS-14F	1.0	∅14.0	∅10.4	
WS-56	1.6	∅14.1	∅8.2	
WS-15	4.8	∅14.7	∅12.6	1000
WS-16D	0.8	∅16.0	∅9.7	2000
WS-16A	1.6	∅16.0	∅9.7	
WS-16F	1.6	∅16.0	∅8.4	
WS-17	1.5	∅17.0	∅13.5	
WS-18	0.8	∅18.0	∅4.2	1000
WS-18QT	1.4	∅18.0	∅8.1	
WS-20	1.0	∅20.0	∅14.5	
WS-20A	2.0	∅20.0	∅10.5	
WS-21	1.0	∅21.0	∅14.1	
WS-22PM	1.5	∅22.0	∅16.5	
WS-26	1.5	∅26.0	∅20.5	
★ WS-60	2.0	∅60.0	∅9.0	500



華司 WASHER

8-37-1

- MATERIAL: NYLON 6
- COLOR: NATURAL
- OTHER MATERIAL & THICKNESS AVAILABLE FOR OPTIONAL REQUEST
(我司備有其他尺寸, 歡迎來電洽詢)



PART NO.	A	B	C	PACKAGE
NWT-01	0.5	ø4.5	ø2.1	5000
NWT-02	0.5	ø4.5	ø2.6	
NWT-03	0.5	ø4.6	ø2.5	
NWT-04	0.5	ø4.7	ø2.6	
NWT-05	0.5	ø5.0	ø2.2	
NWT-06	0.5	ø5.0	ø2.5	
NWT-07	0.5	ø5.0	ø2.6	
NWT-08	0.5	ø5.0	ø3.0	
NWT-09	0.5	ø5.0	ø3.1	
NWT-10	0.5	ø5.0	ø3.2	
NWT-11	0.5	ø5.0	ø3.5	
NWT-12	0.5	ø5.6	ø3.1	
NWT-13	0.5	ø5.6	ø4.8	
NWT-14	0.5	ø6.0	ø2.1	
NWT-15	0.5	ø6.0	ø3.1	
NWT-16	0.5	ø6.0	ø3.2	
NWT-17	0.5	ø6.0	ø3.6	
NWT-18	0.5	ø6.0	ø4.1	
NWT-19	0.5	ø6.0	ø4.3	
NWT-21	0.5	ø6.5	ø2.98	
NWT-22	0.5	ø6.5	ø3.5	
NWT-23	0.5	ø6.5	ø4.1	
NWT-24	0.5	ø7.0	ø2.5	
NWT-25	0.5	ø7.0	ø4.2	
NWT-26	0.5	ø7.0	ø5.1	
NWT-27	0.5	ø7.0	ø3.1	
NWT-28	0.5	ø7.5	ø4.8	
NWT-29	0.5	ø7.8	ø3.2	
NWT-30	0.5	ø8.0	ø3.1	

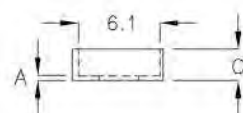
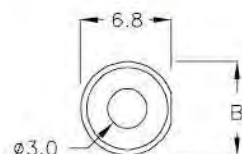
PART NO.	A	B	C	PACKAGE
NWT-31	0.5	ø8.0	ø4.1	5000
NWT-32	0.5	ø8.0	ø5.0	
NWT-33	0.5	ø8.0	ø5.1	
NWT-34	0.5	ø8.0	ø6.0	
NWT-36	0.5	ø8.8	ø4.0	
NWT-37	0.5	ø8.8	ø5.2	
NWT-38	0.5	ø9.0	ø4.5	
NWT-39	0.5	ø9.0	ø6.1	
NWT-40	0.5	ø10.0	ø3.1	
NWT-41	0.5	ø10.0	ø4.1	
NWT-42	0.5	ø10.0	ø5.1	
NWT-43	0.5	ø10.0	ø5.2	
NWT-44	0.5	ø10.0	ø5.5	
NWT-45	0.5	ø10.0	ø6.1	
NWT-46	0.5	ø10.0	ø6.4	
NWT-47	0.5	ø10.4	ø7.2	
NWT-48	0.5	ø10.5	ø6.6	
NWT-49	0.5	ø10.8	ø7.2	
NWT-50	0.5	ø11.0	ø5.0	
NWT-51	0.5	ø11.6	ø7.6	
NWT-52	0.5	ø12.0	ø3.6	
NWT-53	0.5	ø12.0	ø5.2	
NWT-54	0.5	ø12.0	ø6.0	
NWT-55	0.5	ø12.0	ø7.3	
NWT-56	0.5	ø12.0	ø8.0	
NWT-58	0.5	ø13.0	ø6.5	
NWT-59	0.5	ø13.0	ø7.95	
NWT-60	0.5	ø13.0	ø8.0	
NWT-99	0.5	ø9.1	ø4.0	



華司 WASHER

8-37-2

- MATERIAL: NYLON 46(UL)
- FLAME CLASS: 94V-0
- COLOR: NATURAL



PART NO.	A	B	C	PACKAGE
U-02A	0.3	ø7.0	2.3	2000

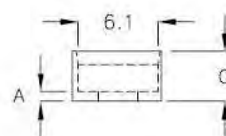
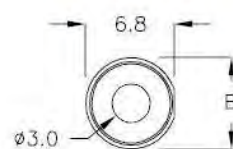


華司 WASHER

8-38-1

- MATERIAL: NYLON 46(UL)
- FLAME CLASS: 94V-0
- COLOR: NATURAL

PART NO	A	B	C	PACKAGE
U-02F	0.3	ø7.0	1.9	2000
U-03K	0.8	ø7.0	3.8	

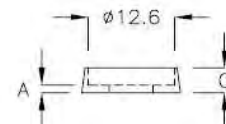
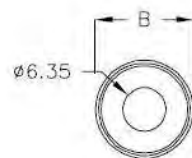


華司 WASHER

8-38-2

- MATERIAL: NYLON 66(UL)
- FLAME CLASS: 94V-2
- COLOR: BLACK

PART NO	A	B	C	PACKAGE
UWD-6K	1.1	ø14.3	3.65	1000

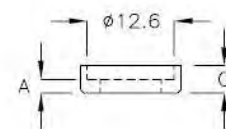
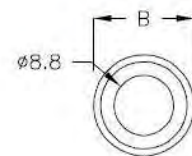


華司 WASHER

8-38-3

- MATERIAL: PPO(UL)
- FLAME CLASS: 94V-1
- COLOR: GRAY

PART NO	A	B	C	PACKAGE
UWJ-14Q	2.0	ø14.6	4.0	1000

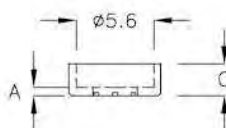
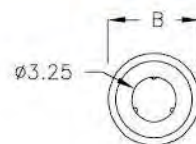


華司 WASHER

8-38-4

- MATERIAL: NYLON 66(UL)
- FLAME CLASS: 94V-2
- COLOR: BLACK
- WITH M3 SCREW

PART NO	A	B	C	PACKAGE
UWD-3F	0.6	ø6.7	2.3	1000



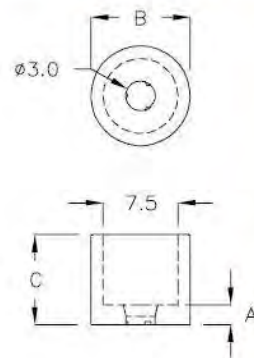


華司 WASHER

8-39-1

- MATERIAL: NYLON 66(UL)
- FLAME CLASS: 94V-2
- COLOR: NATURAL
- WITH M3 SCREW

PART NO	A	B	C	PACKAGE
UWK-9	2.0	10.0	9.0	1000

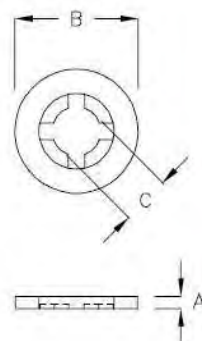


華司 WASHER

8-39-2

- MATERIAL: NYLON 66(UL)
- FLAME CLASS: 94V-2
- COLOR: NATURAL

PART NO	A	B	C	SCREW	PACKAGE
WSF-02	0.6	ø4.5	ø1.6	M2x0.4	2000
WSF-3	0.8	ø8.3	ø3.2	#6-32	
WSF-3A	0.75	ø6.7	ø2.5	M3x0.5	
WSF-3D	0.6	ø5.0	ø2.5	M3x0.5	
WSF-3GK	0.6	ø5.0	ø2.4		
WSF-3M	1.0	ø8.0	ø2.5	M3x0.5	
WSF-3S	0.6	ø8.3	ø3.2	#6-32	
WSF-04	1.0	ø12.5	ø3.6	M4x0.7	
WSF-06	2.0	ø12.0	ø5.25		
WSF-6KT	1.0	ø6.3	ø2.3		
WSF-10	0.7	ø10.0	ø5.2		

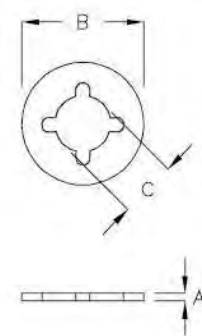


華司 WASHER

8-39-3

- MATERIAL: NYLON 66(UL)
- FLAME CLASS: 94V-2
- COLOR: NATURAL

PART NO	A	B	C	SCREW	PACKAGE
WSF-09	0.6	ø9.0	ø4.2	M5x0.8	2000

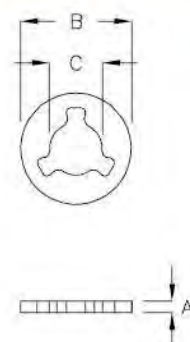


華司 WASHER

8-39-4

- MATERIAL: NYLON 6
- COLOR: NATURAL

PART NO	A	B	C	PACKAGE
WRD-2A	0.5	ø4.8	ø2.3	10000

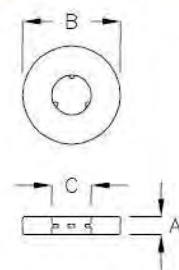




華司 WASHER

8-40-1

- MATERIAL: NYLON 66(UL)
- FLAME CLASS: 94V-2
- COLOR: NATURAL



PART NO	A	B	C	USE SCREW	PACKAGE
WS-5RM	1.0	∅5.5	∅3.2	M3	2000
WS-5WK	1.2	∅5.5	∅3.2		
WS-5YT	1.8	∅5.5	∅3.2		
WS-6AT	1.5	∅6.35	∅3.2		
WS-2T	0.9	∅6.5	∅3.25		
WS-7RT	0.8	∅7.0	∅3.2		
WS-7YM	1.2	∅7.0	∅4.2	M4	
WS-7TH	1.0	∅7.0	∅4.2		
WS-7AY	1.5	∅7.5	∅4.2		
WS-7FT	0.65	∅7.5	∅4.2		
WS-8WT	0.8	∅7.9	∅4.2		

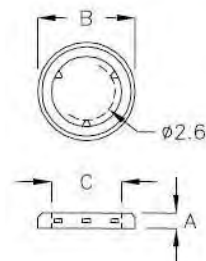
PART NO	A	B	C	USE SCREW	PACKAGE
WS-8HT	0.5	∅8.0	∅5.3	M5	2000
WS-8ST	1.0	∅8.0	∅3.2	M3	
WS-8TQ	2.0	∅8.0	∅3.2	M4	
WS-3T	1.2	∅10.0	∅4.2		
WS-11KT	1.0	∅11.0	∅4.2		
WS-11DF	2.0	∅11.0	∅4.2	M3	
WS-11QT	2.0	∅11.5	∅4.2		
WS-12T	1.0	∅12.0	∅3.2	M4	
WS-12CK	2.0	∅12.0	∅3.2		
WS-4T	3.0	∅14.0	∅4.2	M4	
WS-15T	1.0	∅15.0	∅3.2	M3	
WS-15KR	2.0	∅15.0	∅3.2		



華司 WASHER

8-40-2

- MATERIAL: NYLON 66(UL)
- FLAME CLASS: 94V-2
- COLOR: NATURAL



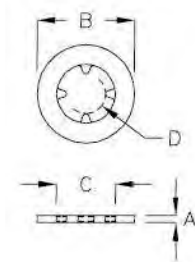
PART NO	A	B	C	USE SCREW	PACKAGE
WRK-3C	0.7	∅4.6	∅3.3	M3	2000



華司 WASHER

8-40-3

- MATERIAL: NYLON 66(UL)
- FLAME CLASS: 94V-2
- COLOR: NATURAL



PART NO	A	B	C	D	USE SCREW	PACKAGE
WRC-5Q	0.8	∅11.0	∅6.6	∅4.4	—	2000
WRC-3BA	1.0	∅8.0	∅3.5	∅2.7	M3	
WRC-4GC	0.8	∅10.0	∅4.5	∅3.7	M4	
★ WRC-5DH	1.0	∅11.0	∅5.35	∅4.5	M5	
WRC-5MK	1.0	∅11.0	∅5.5	∅4.7	M5	

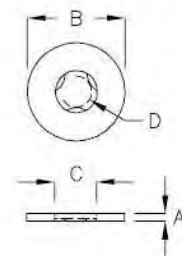


華司 WASHER

8-41-1

- MATERIAL: PE
- COLOR: NATURAL

PART NO	A	B	C	D	USE SCREW	PACKAGE
WRD-3K	0.8	∅10.0	∅4.4	∅3.2	M4	2000
WRD-5C	1.2	∅12.0	∅6.4	∅5.2	M6	

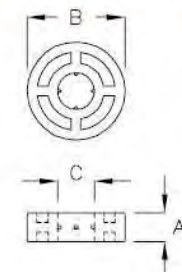


華司 WASHER

8-41-2

- MATERIAL: NYLON 66(UL)
- FLAME CLASS: 94V-2
- COLOR: NATURAL

PART NO	A	B	C	USE SCREW	PACKAGE
WS-20T	2.4	∅8.0	∅3.0	M3	2000

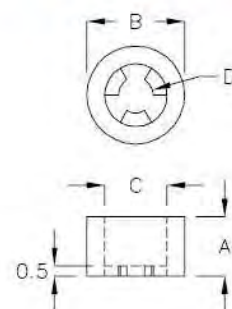


華司 WASHER

8-41-3

- MATERIAL: NYLON 66(UL)
- FLAME CLASS: 94V-2
- COLOR: NATURAL

PART NO	A	B	C	D	USE SCREW	PACKAGE
WSX-1A	3.0	∅5.0	∅3.2	∅1.8	M1.6	2000

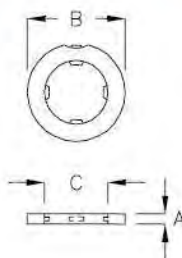


華司 WASHER

8-41-4

- MATERIAL: NYLON 66(UL)
- FLAME CLASS: 94V-2
- COLOR: NATURAL

PART NO	A	B	C	USE SCREW	PACKAGE
WS-4FT	1.0	∅7.0	∅4.2	M4	2000
WS-4XT	1.5	∅7.0	∅4.2		
WS-4BT	2.0	∅7.0	∅4.2		
WS-5T	0.8	∅8.0	∅5.2	M5	
WS-5WT	1.0	∅8.0	∅5.2		
WS-5LT	1.5	∅8.0	∅5.2		
WS-5BT	2.0	∅8.0	∅5.2	M6	
WS-6GT	1.0	∅9.0	∅6.2		
WS-6HT	1.5	∅9.0	∅6.2		
WS-6PT	2.0	∅9.0	∅6.2		



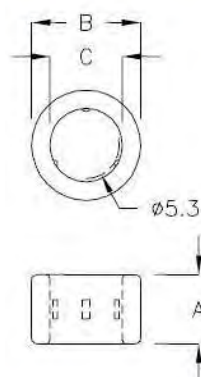


華司 WASHER

8-42-1

- MATERIAL: NYLON 66(UL)
- FLAME CLASS: 94V-2
- COLOR: NATURAL

PART NO.	A	B	C	PACKAGE
WRP-5LA	5.5	ø8.7	ø5.8	1000

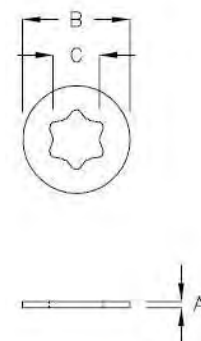


華司 WASHER

8-42-2

- MATERIAL: NYLON 66(UL)
- FLAME CLASS: 94V-2
- COLOR: NATURAL

PART NO.	A	B	C	USE SCREW	PACKAGE
WSH-08	0.5	ø8.0	3.4	#6-32	2000

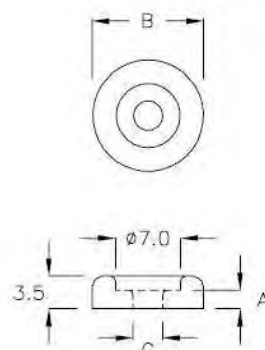


華司 WASHER

8-42-3

- MATERIAL: NYLON 66(UL)
- FLAME CLASS: 94V-2
- COLOR: NATURAL

PART NO.	A	B	C	PACKAGE
UWD-3D	2.0	ø12.0	ø3.2	1000

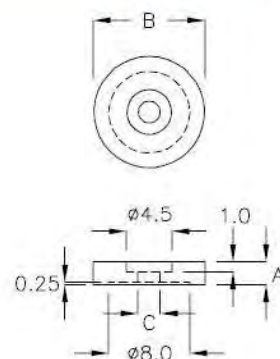


華司 WASHER

8-42-4

- MATERIAL: NYLON 66(UL)
- FLAME CLASS: 94V-2
- COLOR: NATURAL

PART NO.	A	B	C	PACKAGE
WWK-11A	2.25	ø11.0	ø2.2	2000



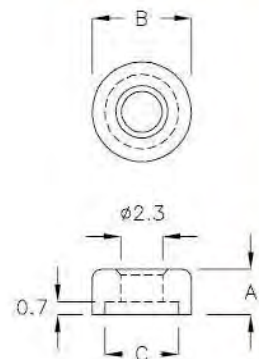


華司 WASHER

8-43-1

- MATERIAL: NYLON 66(UL)
- FLAME CLASS: 94V-0
- COLOR: BLACK

PART NO	A	B	C	PACKAGE
UWQ-2M	2.5	∅5.5	∅4.1	1000

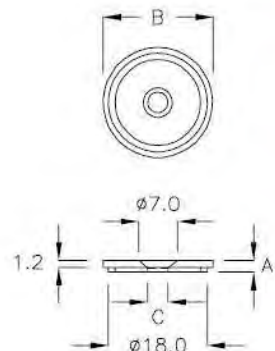


華司 WASHER

8-43-2

- MATERIAL: NYLON 66(UL)
- FLAME CLASS: 94V-2
- COLOR: NATURAL
- WITH COUNTERSUNK SCREW

PART NO	A	B	C	PACKAGE
WSA-02	2.1	∅20.0	∅3.7	1000

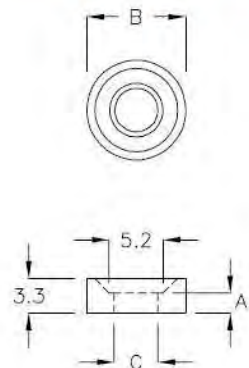


華司 WASHER

8-43-3

- MATERIAL: NYLON 66(UL)
- FLAME CLASS: 94V-2
- COLOR: BLACK
- WITH COUNTERSUNK SCREW

PART NO	A	B	C	PACKAGE
WRB-3A	1.9	∅9.6	∅4.2	2000
WRB-3C	1.9	∅11.5	∅4.2	

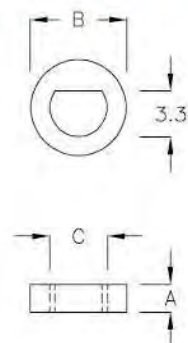


華司 WASHER

8-43-4

- MATERIAL: POM
- FLAME CLASS: 94HB
- COLOR: NATURAL

PART NO	A	B	C	PACKAGE
WRF-02	2.0	∅7.0	∅4.2	1000

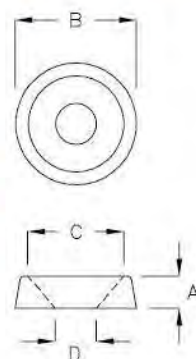




華司 WASHER

8-44-1

- MATERIAL: NYLON 66(UL)
- FLAME CLASS: 94V-2
- COLOR: NATURAL
- WITH COUNTERSUNK SCREW



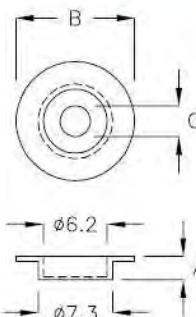
PART NO	A	B	C	D	USE SCREW	PACKAGE
UWM-03	2.5	ø9.6	ø6.3	ø3.1	M3	2000
UWM-04	2.7	ø11.6	ø8.4	ø4.1	M4	
UWM-05	3.2	ø13.6	ø10.4	ø5.1	M5	
UWS-11	2.55	ø11.0	ø8.0	ø3.9	NO. 6-32UNC	1000
UWS-13	2.9	ø13.0	ø9.4	ø4.4	NO. 8-32UNC	
UWS-14	3.85	ø14.7	ø11.6	ø5.0	NO. 10-24UNC	
UWS-15	4.0	ø15.4	ø12.7	ø5.8	NO. 12-24UNC	
UWS-17	4.65	ø17.3	ø14.5	ø6.5	1/4-20UNC	



華司 WASHER

8-44-2

- MATERIAL: NYLON 66(UL)
- FLAME CLASS: 94V-2
- COLOR: BLACK



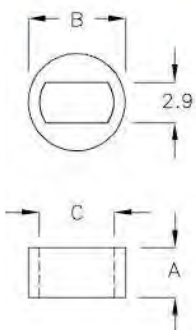
PART NO	A	B	C	PACKAGE
WSA-01	2.4	ø11.5	ø3.0	2000



固定座 MOUNT

8-44-3

- MATERIAL: NYLON 66(UL)
- FLAME CLASS: 94V-2
- COLOR: NATURAL



PART NO	A	B	C	PACKAGE
UWF-3PQ	3.6	ø7.0	ø5.4	2000
UWF-05	5.0	ø7.0	ø5.3	

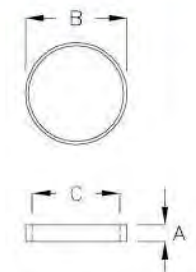


華司 WASHER

8-44-4

- MATERIAL: NYLON 66(UL)
- FLAME CLASS: 94V-0
- COLOR: NATURAL

NEW



PART NO	A	B	C	PACKAGE
★ UWXC-12A	2.2	ø13.5	ø12.7	1000

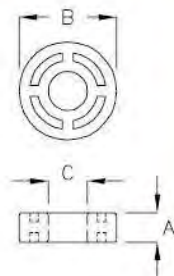


華司 WASHER

8-45-1

- MATERIAL: NYLON 66(UL)
- FLAME CLASS: 94V-2
- COLOR: BLACK

PART NO	A	B	C	PACKAGE
WSC-01	4.5	∅15.0	∅6.0	1000
WSC-1A	5.7	∅15.0	∅6.0	

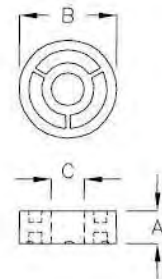


華司 WASHER

8-45-2

- MATERIAL: NYLON 66(UL)
- FLAME CLASS: 94V-2
- COLOR: BLACK

PART NO	A	B	C	PACKAGE
WSC-30KP	10.0	∅30.0	∅10.0	200

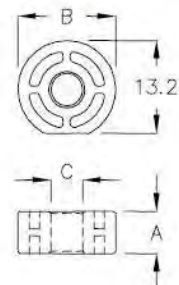


華司 WASHER

8-45-3

- MATERIAL: NYLON 66(UL)
- FLAME CLASS: 94V-2
- COLOR: NATURAL

PART NO	A	B	C	PACKAGE
WSC-06	6.0	∅14.0	∅4.6	1000

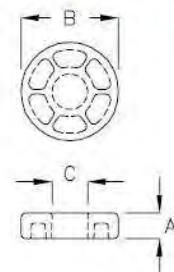


華司 WASHER

8-45-4

- MATERIAL: NYLON 66(UL)
- FLAME CLASS: 94V-2
- COLOR: NATURAL

PART NO	A	B	C	PACKAGE
WWF-4K	3.1	∅12.0	∅4.35	2000



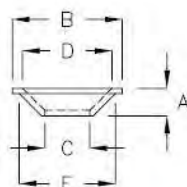


華司 WASHER

8-46-1

- MATERIAL: NYLON 66(UL)
- FLAME CLASS: 94V-2
- COLOR: NATURAL, BLACK

PART NO	A	B	C	D	E	PACKAGE
WSL-01	2.5	∅10.0	∅4.1	∅8.1	∅8.7	2000
WSL-02	1.5	∅7.0	∅3.1	∅5.1	∅5.7	

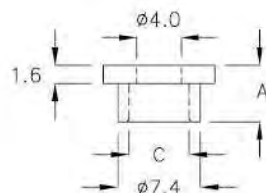


華司 WASHER

8-46-2

- MATERIAL: NYLON 66(UL)
- FLAME CLASS: 94V-2
- COLOR: BLACK

PART NO	A	B	C	PACKAGE
WSB-01	5.0	∅10.0	∅5.4	1000

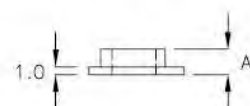
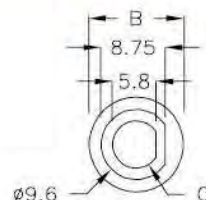


華司 WASHER

8-46-3

- MATERIAL: NYLON 66(UL)
- FLAME CLASS: 94V-2
- COLOR: BLACK

PART NO	A	B	C	PACKAGE
WSJ-01	3.4	∅13.0	∅6.3	2000

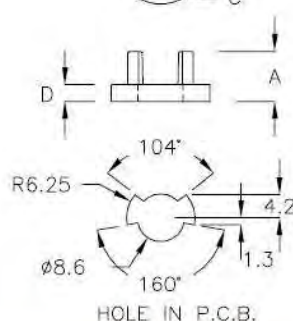


華司 WASHER

8-46-4

- MATERIAL: NYLON 66(UL)
- FLAME CLASS: 94V-2
- COLOR: BLACK

PART NO	A	B	C	D	PACKAGE
MIA-03	9.0	∅17.9	∅8.1	3.0	500
MIA-04	10.0	∅17.9	∅8.0	4.0	



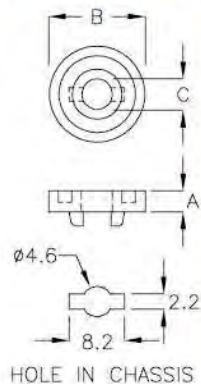
HOLE IN P.C.B.



華司 WASHER

8-47-1

- MATERIAL: NYLON 66(UL)
- FLAME CLASS: 94V-2
- COLOR: NATURAL



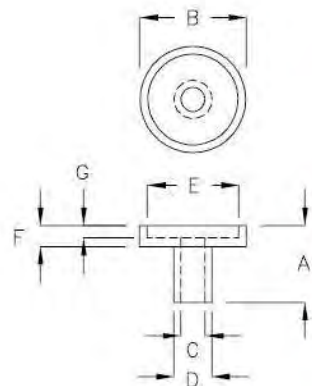
PART NO	A	B	C	PACKAGE
WST-14	3.0	∅14.0	∅4.5	500



華司 WASHER

8-47-2

- MATERIAL: NYLON 66(UL)
- FLAME CLASS: 94V-2
- COLOR: NATURAL



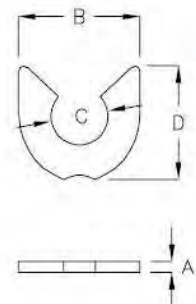
PART NO	A	B	C	D	E	F	G	PACKAGE
WSQ-01	10.0	∅14.0	∅3.2	∅5.0	∅12.0	2.8	1.6	500
WSQ-03	7.3	∅7.0	∅3.0	∅3.5	∅6.1	3.8	3.0	1000



華司 WASHER

8-47-3

- MATERIAL: POM
- FLAME CLASS: 94HB
- COLOR: NATURAL



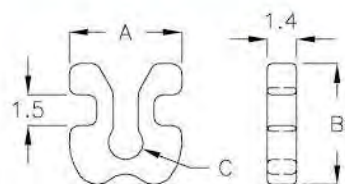
PART NO	A	B	C	D	PACKAGE
WU-1	0.8	12.6	∅5.9	11.5	2000
WU-002	0.6	9.5	∅4.1	8.9	



華司 WASHER

8-47-4

- MATERIAL: NYLON 66(UL)
- FLAME CLASS: 94V-2
- COLOR: NATURAL



PART NO	A	B	C	PACKAGE
WUS-1A	5.5	5.84	∅1.7	2000

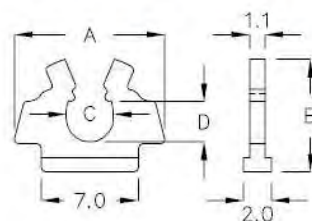


華司 WASHER

8-48-1

- MATERIAL: NYLON 66(UL)
- FLAME CLASS: 94V-2
- COLOR: NATURAL

PART NO	A	B	C	D	PACKAGE
WSM-01	10.8	8.0	3.3	2.9	2000

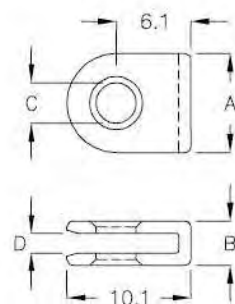


華司 WASHER

8-48-2

- MATERIAL: NYLON 66(UL)
- FLAME CLASS: 94V-2
- COLOR: NATURAL

PART NO	A	B	C	D	PACKAGE
WSU-01	8.0	3.6	∅3.3	1.6	2000

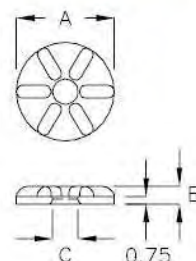


防震華司 SHOCK-ABSORB WASHER

8-48-3

- MATERIAL: TPE
- COLOR: GRAY
- WITH M2.6 SCREW

PART NO	A	B	C	PACKAGE
GSG-01	∅9.6	1.75	∅2.5	2000

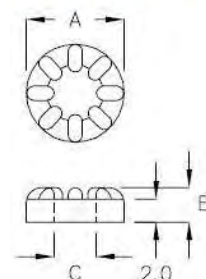


防震華司 SHOCK-ABSORB WASHER

8-48-4

- MATERIAL: SILICONE
- COLOR: BLACK

PART NO	A	B	C	PACKAGE
GSG-03	∅8.6	3.0	∅3.74	2000

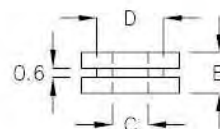
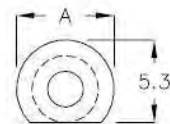




華司 WASHER

8-49-1

- MATERIAL: NYLON 66(UL)
- FLAME CLASS: 94V-2
- COLOR: NATURAL



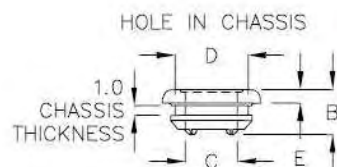
PART NO	A	B	C	D	PACKAGE
WSN-2A	ø6.3	2.6	ø2.3	ø4.3	2000



防震華司 SHOCK-ABSORB WASHER

8-49-2

- MATERIAL: TPE
- COLOR: BLACK



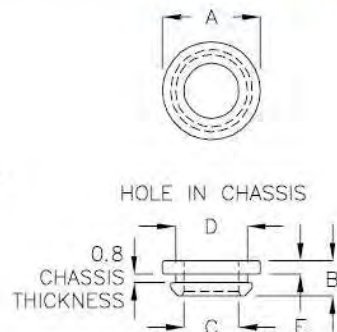
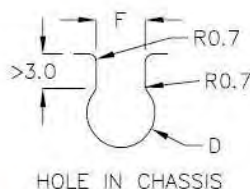
PART NO	A	B	C	D HOLE IN CHASSIS	E	PACKAGE
GLH-2A	ø10.3	4.7	ø5.5	ø8.0	1.4	2000
GLH-12MP	ø12.0	4.9	ø6.2	ø8.2	1.8	



防震華司 SHOCK-ABSORB WASHER

8-49-3

- MATERIAL: TPE
- COLOR: BLACK



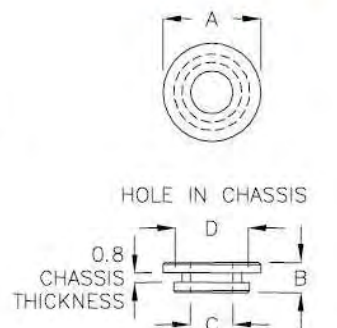
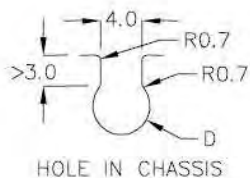
PART NO	A	B	C	D HOLE IN CHASSIS	E	F	PACKAGE
GLH-10CT	ø10.0	4.1	ø4.55	ø7.0	1.6	5.0	2000
GLH-3WD	ø11.0	3.9	ø6.4	ø8.1	1.5	6.0	



防震華司 SHOCK-ABSORB WASHER

8-49-4

- MATERIAL: TPE
- COLOR: BLACK

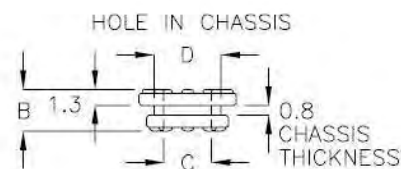


PART NO	A	B	C	D HOLE IN CHASSIS	PACKAGE
GQH-9AT	ø9.0	2.8	ø3.9	ø5.5	2000



防震華司 SHOCK-ABSORB WASHER ——— 8-50-1 |

- MATERIAL: TPE
- COLOR: BLACK

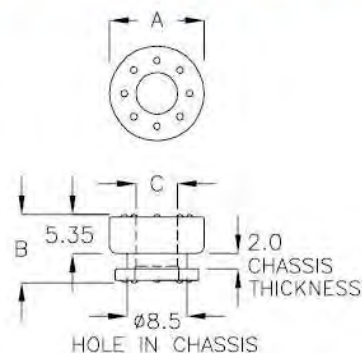
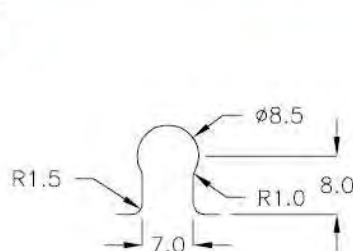


PART NO	A	B	C	D	HOLE IN CHASSIS	PACKAGE
GSQ-8AC	ø8.0	3.4	ø3.9	ø5.5		2000



防震華司 SHOCK-ABSORB WASHER ——— 8-50-2 |

- MATERIAL: TPE
- COLOR: BLACK

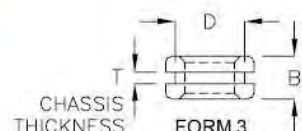
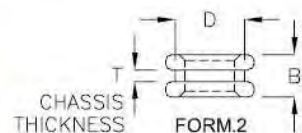
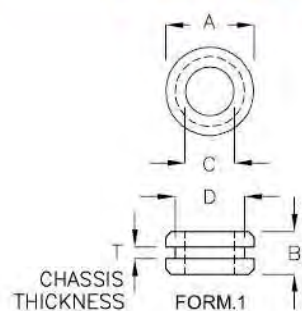
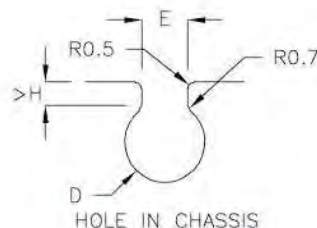


PART NO	A	B	C	PACKAGE
GSK-13A	ø13.0	9.35	ø5.6	1000



防震華司 SHOCK-ABSORB WASHER ——— 8-50-3 |

- MATERIAL: TPR,TPE,SILICONE
- COLOR: BLACK

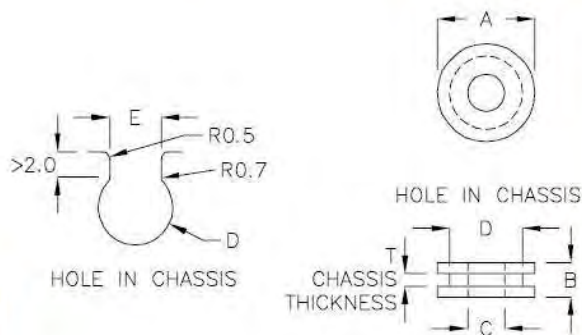


PART NO	MATERIAL	A	B	C	D	E	H	T	CHASSIS THICKNESS	FORM	PACKAGE
WSS-02C	TPR	ø7.0	2.8	ø3.9	ø5.5	4.0	1.6	0.8		1	2000
WSS-03A	SILICONE	ø7.0	3.4	ø3.9	ø5.5	4.0	1.6	0.8		2	
WSS-3RK	SILICONE	ø8.2	3.8	ø4.0	ø6.0	4.0	2.0	0.8		3	
WSS-07	TPE	ø7.0	5.0	ø3.9	ø5.5	4.0	1.6	0.8		1	
WSS-5GD	TPE	ø5.0	4.0	ø2.5	ø4.0	3.0	1.5	1.0		2	
WSS-10CQ	SILICONE	ø10.0	5.35	ø4.0	ø6.0	4.0	3.0	1.2		3	1000



防震華司 SHOCK-ABSORB WASHER 8-51-1

- MATERIAL: TPE
- COLOR: BLACK

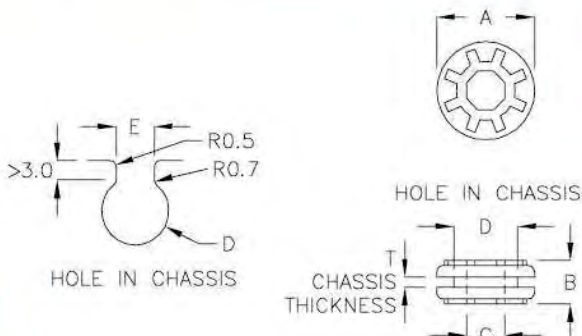


PART NO	A	B	C	D HOLE IN CHASSIS	E	T CHASSIS THICKNESS	PACKAGE
GSH-12RT	∅12.0	6.0	∅3.9	∅7.5	6.5	1.0	1000
GSH-12AP	∅12.0	9.0	∅6.0	∅9.0	8.0	1.0	
GSH-12	∅12.7	4.4	∅4.8	∅9.5	8.5	1.6	

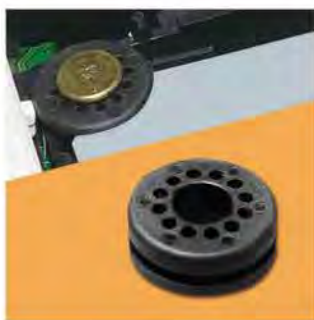


防震華司 SHOCK-ABSORB WASHER 8-51-2

- MATERIAL: TPE
- COLOR: BLACK

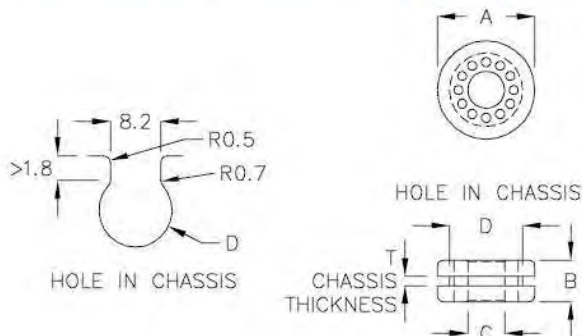


PART NO	A	B	C	D HOLE IN CHASSIS	E	T CHASSIS THICKNESS	PACKAGE
GSA-2C	∅16.0	7.0	6.3	∅10.5	9.0	1.6	500
GSA-2D	∅20.0	14.0	6.3	∅14.7	13.2	1.6	200



防震華司 SHOCK-ABSORB WASHER 8-51-3

- MATERIAL: TPE
- COLOR: BLACK



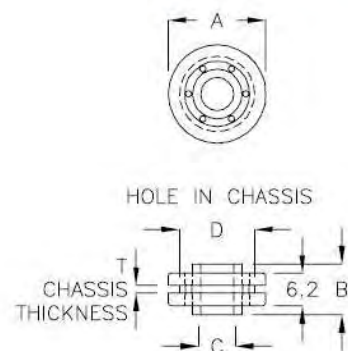
PART NO	A	B	C	D HOLE IN CHASSIS	T CHASSIS THICKNESS	PACKAGE
GSA-2H	∅12.7	5.4	∅4.8	∅9.2	1.0	1000



防震華司 SHOCK-ABSORB WASHER ——— 8-52-1

- MATERIAL: TPE
- COLOR: BLACK

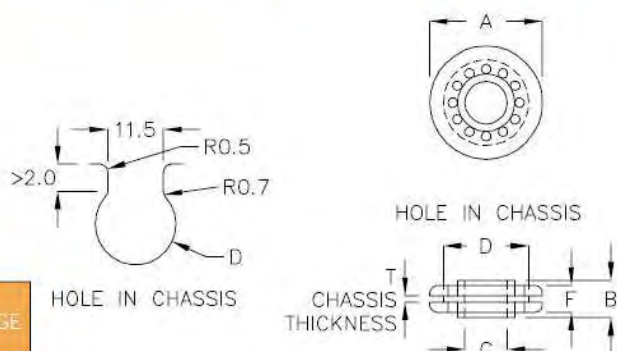
PART NO	A	B	C	D HOLE IN CHASSIS	T CHASSIS THICKNESS	PACKAGE
GSD-01	∅18.8	9.7	∅6.3	∅14.4	1.4	200



防震華司 SHOCK-ABSORB WASHER ——— 8-52-2

- MATERIAL: TPE
- COLOR: BLACK

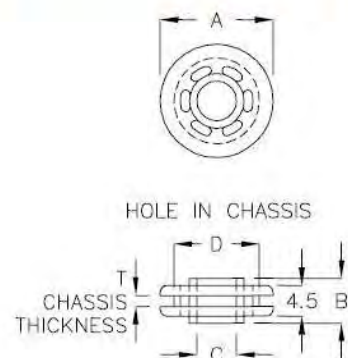
PART NO	A	B	C	D HOLE IN CHASSIS	F	T CHASSIS THICKNESS	PACKAGE
GSA-1A	∅16.5	5.45	∅6.2	∅12.5	3.85	0.85	500
GSA-2A	∅16.5	6.5	∅6.6	∅12.5	4.9	1.6	



防震華司 SHOCK-ABSORB WASHER ——— 8-52-3

- MATERIAL: TPE
- COLOR: BLACK

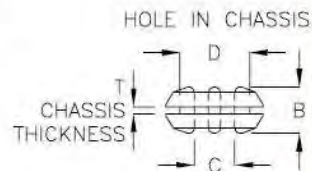
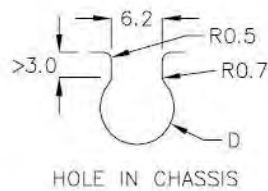
PART NO	A	B	C	D HOLE IN CHASSIS	T CHASSIS THICKNESS	PACKAGE
GSE-16A	∅16.5	6.5	∅5.8	∅12.5	1.6	500





防震華司 SHOCK-ABSORB WASHER — 8-53-1

- MATERIAL: TPE
- COLOR: BLACK

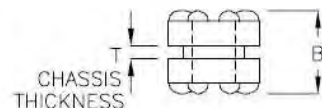
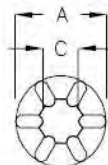
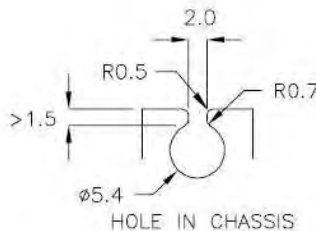


PART NO	A	B	C	D HOLE IN CHASSIS	T CHASSIS THICKNESS	PACKAGE
GSA-03	ø11.2	5.3	ø4.6	ø8.0	0.8	2000



防震華司 SHOCK-ABSORB WASHER — 8-53-2

- MATERIAL: SILICONE
- COLOR: BLACK

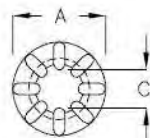
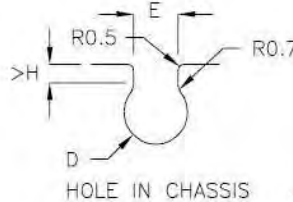


PART NO	A	B	C	T CHASSIS THICKNESS	PACKAGE
GSA-08	ø8.6	7.8	ø3.3	0.6~1.0	2000



防震華司 SHOCK-ABSORB WASHER — 8-53-3

- MATERIAL: TPE,SILICONE
- COLOR: BLACK

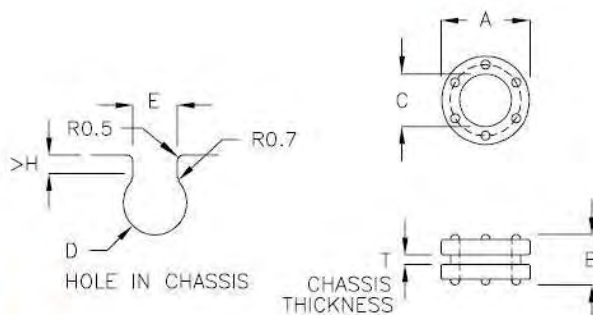


PART NO	MATERIAL	A	B	C	D	E	H	T CHASSIS THICKNESS	PACKAGE
GSA-7A	TPE	ø7.2	5.1	ø4.2	ø6.0	5.0	1.5	0.8	1000
GSA-8LM	TPE	ø7.8	4.5	ø4.0	ø5.8	4.2	1.5	1.0	2000
GSA-8QT	TPE	ø8.6	7.8	ø3.3	ø5.4	3.5	1.5	0.6~1.0	
GSA-010	TPE	ø9.6	5.8	ø3.9	ø6.3	5.0	1.8	1.2	1000
GSA-09	TPE	ø9.6	7.6	ø4.0	ø6.4	5.0	1.8	3.2	
GSA-9KP	TPE	ø9.6	4.6	ø4.3	ø6.5	5.0	1.9	1.0	
GSA-9SQ	TPE	ø9.6	5.8	ø3.9	ø6.3	5.0	4.5	0.8	
GSA-10A	TPE	ø9.6	5.8	ø3.9	ø6.3	5.0	4.5	1.0	
GSA-04	SILICONE	ø14.3	7.95	ø5.0	ø9.5	7.5	3.0	1.0	
GSA-14	TPE	ø14.3	8.2	ø4.7	ø9.5	7.5	3.0	1.6	
GSA-14A	TPE	ø14.3	9.5	ø5.6	ø9.5	7.5	3.0	3.2	



防震華司 SHOCK-ABSORB WASHER ——— 8-54-1

- MATERIAL: TPE
- COLOR: BLACK

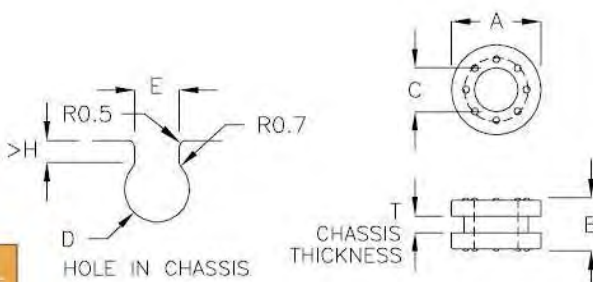


PART NO	A	B	C	D	E	H	T CHASSIS THICKNESS	PACKAGE
GSM-9F	ø9.5	5.4	ø5.6	ø7.5	6.1	1.8	1.0	1000



防震華司 SHOCK-ABSORB WASHER ——— 8-54-2

- MATERIAL: TPE
- COLOR: BLACK

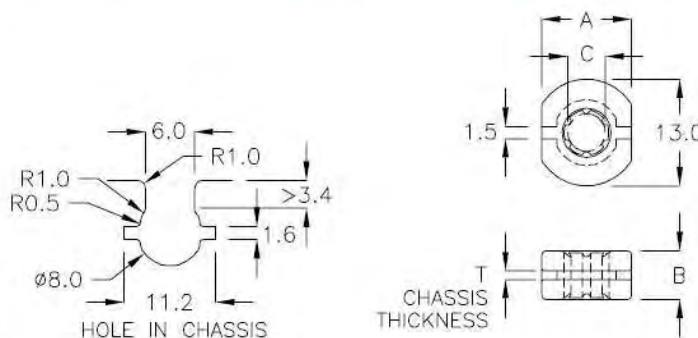


PART NO	A	B	C	D	E	H	T CHASSIS THICKNESS	PACKAGE
GSM-11K	ø11.5	6.8	ø5.6	ø8.4	7.0	2.8	2.0	500



防震華司 SHOCK-ABSORB WASHER ——— 8-54-3

- MATERIAL: TPE
- COLOR: BLACK



PART NO	A	B	C	T CHASSIS THICKNESS	PACKAGE
GSB-13K	11.0	5.9	ø4.6	1.0	1000



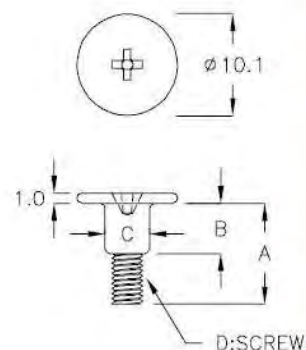
防震華司用螺絲 SCREW

8-55-1

- MATERIAL: STEEL PLATING NI
- COLOR: SILVER
- D: SCREW

PART NO	A	B	C	D	PACKAGE
SWA-05	9.8	5.0	φ4.4	M3	2000
SWA-5DA	9.8	5.0	φ4.4	#6-32	
SWA-5F	11.0	5.0	φ4.4	M3	

A SSEMBLE WITH P.G PART GSA-010 (Page 8-53-3)



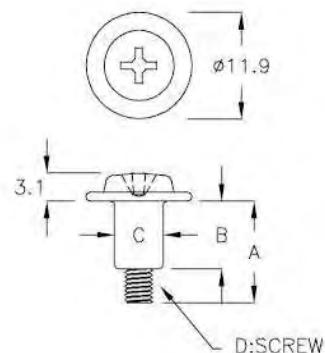
防震華司用螺絲 SCREW

8-55-2

- MATERIAL: STEEL PLATING NI
- COLOR: SILVER
- D: SCREW

PART NO	A	B	C	D	PACKAGE
SWA-7A	11.3	7.5	φ5.4	M3	1000

A SSEMBLE WITH P.G PART GSA-04 (Page 8-53-3)

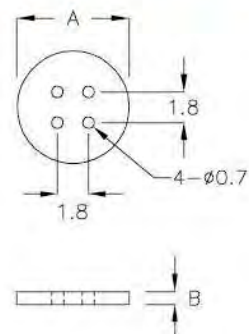


電晶體墊片 TRANSISTOR WASHER

8-55-3

- MATERIAL: NYLON 66(UL)
- FLAME CLASS: 94V-2
- COLOR: NATURAL

PART NO	A	B	PACKAGE
TRC-201	φ6.5	0.75	2000



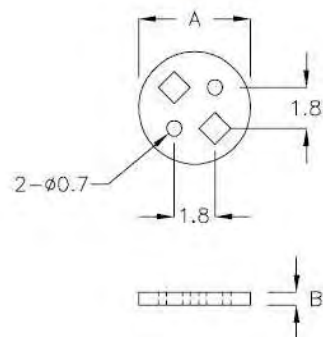


電晶體墊片 TRANSISTOR WASHER

8-56-1

- MATERIAL: NYLON 66(UL)
- FLAME CLASS: 94V-2
- COLOR: NATURAL

PART NO	A	B	PACKAGE
TRC-202	φ5.0	0.75	2000

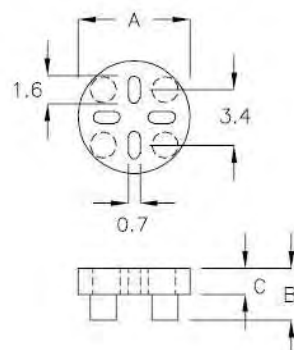


電晶體墊片 TRANSISTOR WASHER

8-56-2

- MATERIAL: NYLON 66(UL)
- FLAME CLASS: 94V-2
- COLOR: NATURAL

PART NO	A	B	C	PACKAGE
TRC-301	φ6.5	3.0	1.5	2000
TRC-301M	φ6.5	1.6	1.0	

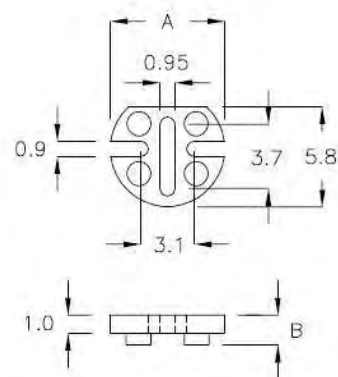


電晶體墊片 TRANSISTOR WASHER

8-56-3

- MATERIAL: NYLON 66(UL)
- FLAME CLASS: 94V-2
- COLOR: NATURAL

PART NO	A	B	PACKAGE
TRC-301S	φ6.5	1.7	2000

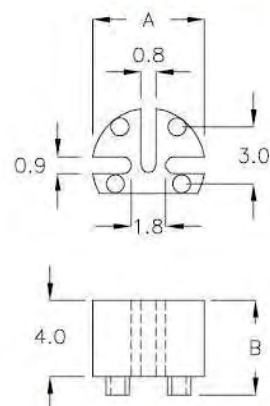


電晶體墊片 TRANSISTOR WASHER

8-56-4

- MATERIAL: NYLON 66(UL)
- FLAME CLASS: 94V-2
- COLOR: BLACK

PART NO	A	B	PACKAGE
TRC-302	φ6.0	5.0	2000

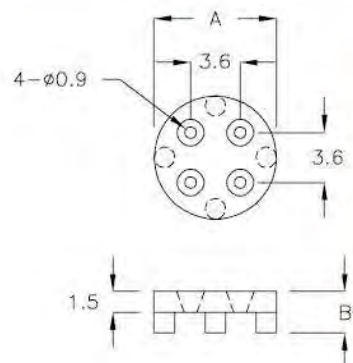




電晶體墊片 TRANSISTOR WASHER 8-57-1

- MATERIAL: NYLON 66(UL)
- FLAME CLASS: 94V-2
- COLOR: NATURAL

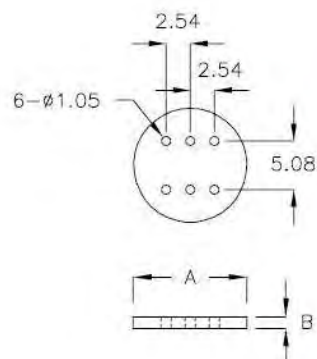
PART NO	A	B	PACKAGE
TRC-501	ø8.9	3.0	2000
TRC-501A	ø8.9	4.5	



電晶體墊片 TRANSISTOR WASHER 8-57-2

- MATERIAL: NYLON 66(UL)
- FLAME CLASS: 94V-2
- COLOR: NATURAL

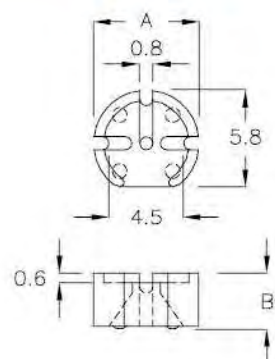
PART NO	A	B	PACKAGE
TRC-601	ø12.0	1.2	2000



電晶體墊片 TRANSISTOR WASHER 8-57-3

- MATERIAL: PBT(UL)
- FLAME CLASS: 94V-0
- COLOR: BLACK

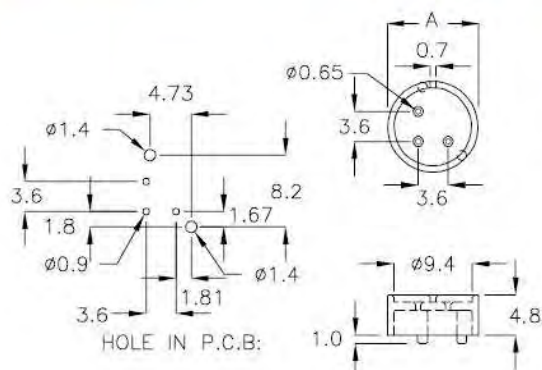
PART NO	A	B	PACKAGE
TRA-3A	ø6.4	3.4	2000



熱釋電紅外線感測器座 PIR HOLDER 8-57-4

- MATERIAL: NYLON 66(UL)
- FLAME CLASS: 94V-2
- COLOR: BLACK

PART NO	A	PACKAGE
TQJ-04	ø11.0	500

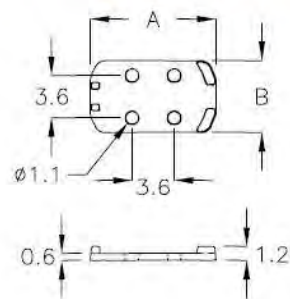




熱釋電紅外線感測器座 PIR HOLDER

8-58-1

- MATERIAL: PPS(UL)
- FLAME CLASS: 94V-0
- COLOR: BLACK



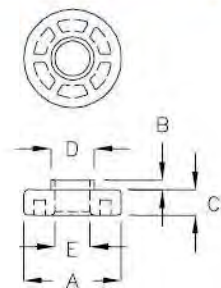
PART NO	A	B	PACKAGE
TQP-10C	10.7	6.15	2000



華司 WASHER

8-58-2

- MATERIAL: NYLON 66(UL)
- FLAME CLASS: 94V-2
- COLOR: NATURAL



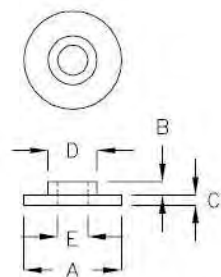
PART NO	A	B	C	D	E	PACKAGE
WSG-6C	φ12.0	1.2	3.1	φ5.3	φ4.3	2000



華司 WASHER

8-58-3

- MATERIAL: NYLON 66(UL)
- FLAME CLASS: 94V-2
- MATERIAL: POM(UL),TPE
- COLOR: NATURAL,BLACK



PART NO	MATERIAL	COLOR	A	B	C	D	E	PACKAGE
WSG-04	N66	NATURAL	φ5.6	0.6	0.8	φ3.85	φ2.9	2000
WSG-9Q	N66	NATURAL	φ7.2	0.7	1.0	φ5.2	φ3.2	
WSG-9C	POM	NATURAL	φ9.0	1.5	1.0	φ6.3	φ4.5	
WSG-01	N66	NATURAL	φ10.0	1.8	1.0	φ5.0	φ3.1	1000
WSG-02	TPE	BLACK	φ10.0	1.8	1.0	φ5.5	φ4.0	
WSG-10BD	N66	BLACK	φ10.0	2.0	1.2	φ7.0	φ4.3	
WSG-11B	N66	NATURAL	φ10.9	2.3	1.3	φ6.8	φ2.95	2000
WSG-06	N66	NATURAL	φ12.0	3.0	3.2	φ6.2	φ3.0	
WSG-6A	N66	NATURAL	φ12.0	3.0	1.4	φ8.0	φ3.0	
WSG-12CR	N66	NATURAL	φ12.7	0.8	0.8	φ6.2	φ4.4	
WSG-05	N66	NATURAL	φ12.85	0.8	1.6	φ9.5	φ6.4	
WSG-07	N66	NATURAL	φ13.0	5.0	1.5	φ8.2	φ3.0	
WSG-10M	N66	NATURAL	φ13.0	2.4	1.7	φ7.9	φ6.6	

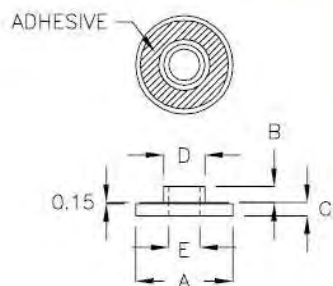


華司 WASHER

8-59-1

- MATERIAL: PPO(UL)
- FLAME CLASS: 94V-1
- COLOR: GRAY
- ADHESIVE TAPE: 3M

PART NO	A	B	C	D	E	PACKAGE
WSI-20P	∅20.0	3.35	2.65	∅8.4	∅6.4	1000

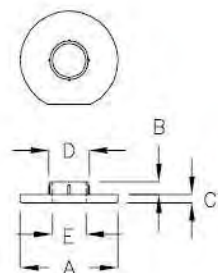


華司 WASHER

8-59-2

- MATERIAL: NYLON 66(UL)
- FLAME CLASS: 94V-2
- COLOR: BLACK

PART NO	A	B	C	D	E	PACKAGE
WSGT-10F	∅10.0	1.3	0.8	4.05	∅3.45	1000

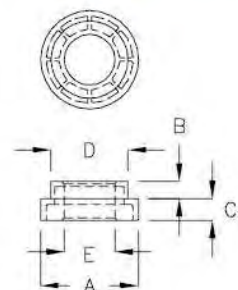


華司 WASHER

8-59-3

- MATERIAL: NYLON 66(UL)
- FLAME CLASS: 94V-2
- COLOR: BLACK

PART NO	A	B	C	D	E	PACKAGE
WSGB-20A	∅20.0	3.5	4.5	∅15.8	∅10.2	1000

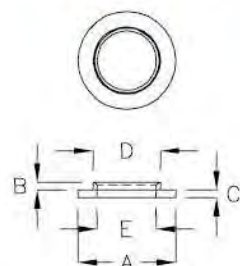


華司 WASHER

8-59-4

- MATERIAL: NYLON 66(UL)
- FLAME CLASS: 94V-2
- COLOR: NATURAL

PART NO	A	B	C	D	E	PACKAGE
WSG-03	∅16.0	1.0	0.85	∅11.0	∅9.7	2000



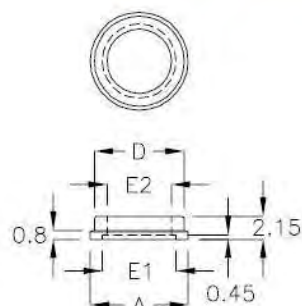


華司 WASHER

8-60-1

- MATERIAL: POM(UL)
- FLAME CLASS: 94HB
- COLOR: NATURAL

PART NO	A	D	E1	E2	PACKAGE
WSG-6F	∅12.55	∅11.5	∅9.3	∅8.1	2000
WSG-8A	∅12.35	∅11.4	∅9.35	∅8.15	

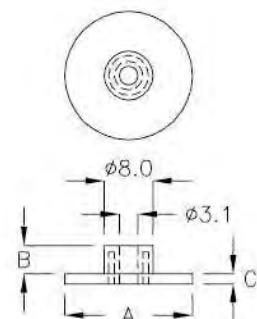


電晶體墊片 TRANSISTOR WASHER

8-60-2

- MATERIAL: NYLON 66(UL)
- FLAME CLASS: 94V-2
- COLOR: NATURAL

PART NO	A	B	C	PACKAGE
821	∅21.0	4.6	1.6	500

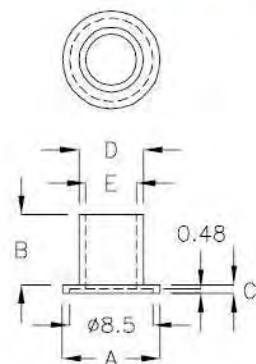


華司 WASHER

8-60-3

- MATERIAL: NYLON 66(UL)
- FLAME CLASS: 94V-2
- COLOR: NATURAL

PART NO	A	B	C	D	E	PACKAGE
WWA-01	∅10.0	7.1	0.9	∅6.6	∅5.2	1000

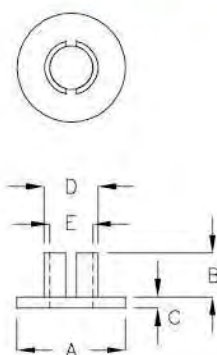


華司 WASHER

8-60-4

- MATERIAL: NYLON 66(UL)
- FLAME CLASS: 94V-2
- COLOR: NATURAL, BLACK

PART NO	A	B	C	D	E	PACKAGE
WSE-01	∅10.0	4.0	1.0	∅5.0	∅4.0	2000
WSE-02	∅15.8	3.8	1.5	∅8.6	∅6.5	
WSE-03	∅15.9	4.3	1.0	∅8.6	∅6.5	



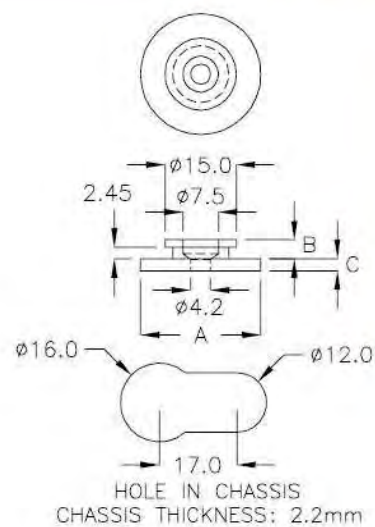


華司 WASHER

8-61-1

- MATERIAL: NYLON 66(UL)
- FLAME CLASS: 94V-2
- COLOR: BLACK
- WITH COUNTERSUNK SCREW

PART NO	A	B	C	PACKAGE
WSNA-25K	ø25.3	3.95	2.5	500

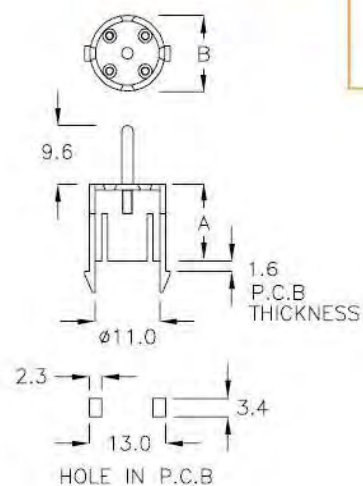


電感保護罩 INSULATED CAP

8-61-2

- MATERIAL: NYLON 66(UL)
- FLAME CLASS: 94V-2
- COLOR: BLACK

PART NO	A	B	PACKAGE
CAP-01	13.0	ø13.0	500

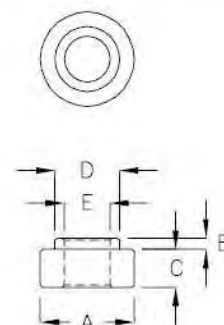


電晶體墊片 TRANSISTOR WASHER

8-61-3

- MATERIAL: PPS(UL)
- FLAME CLASS: 94V-0
- COLOR: BLACK

PART NO	A	B	C	D	E	PACKAGE
40M-2H	ø4.2	0.5	1.7	ø2.9	ø2.05	2000



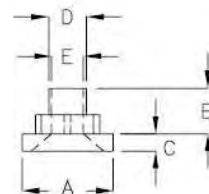


電晶體墊片 TRANSISTOR WASHER

8-62-1

- MATERIAL: NYLON 66(UL)
- FLAME CLASS: 94V-0
- COLOR: NATURAL
- WITH COUNTERSUNK SCREW

PART NO	A	B	C	D	E	PACKAGE
60M-16	ø8.5	4.35	1.6	ø3.5	ø3.0	2000

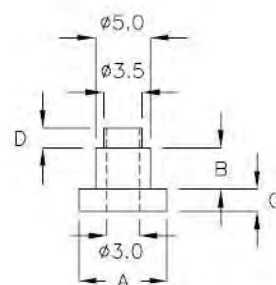


電晶體墊片 TRANSISTOR WASHER

8-62-2

- MATERIAL: NYLON 66(UL)
- FLAME CLASS: 94V-2
- COLOR: NATURAL

PART NO	A	B	C	D	PACKAGE
807	ø8.0	3.7	2.0	1.8	2000
807S	ø8.0	2.9	2.0	1.8	

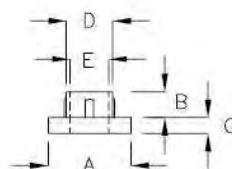
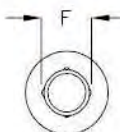


電晶體墊片 TRANSISTOR WASHER

8-62-3

- MATERIAL: PPS(UL)
- FLAME CLASS: 94V-0
- COLOR: BLACK

PART NO	A	B	C	D	E	F	PACKAGE
60T-12	ø6.4	2.0	1.2	3.7	3.0	3.76	2000
60T-20	ø6.4	2.0	1.2	3.6	3.0	3.86	

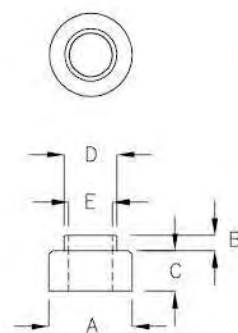




電晶體墊片 TRANSISTOR WASHER 8-63-1

- MATERIAL: NYLON 46(UL)
- FLAME CLASS: 94V-0
- COLOR: BLACK

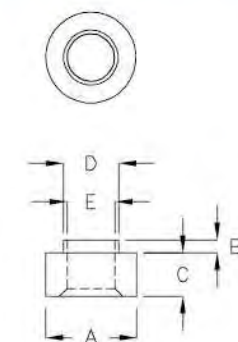
PART NO	A	B	C	D	E	PACKAGE
60K-29	ø6.0	1.1	2.9	ø3.8	ø3.2	2000
60K-28C	ø6.0	1.0	2.8	ø3.8	ø3.2	
602-46-1	ø6.1	1.6	1.4	ø3.5	ø3.0	



電晶體墊片 TRANSISTOR WASHER 8-63-2

- MATERIAL: NYLON 66(UL)
- FLAME CLASS: 94V-0
- COLOR: NATURAL

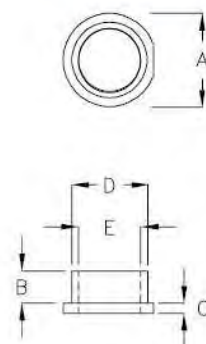
PART NO	A	B	C	D	E	PACKAGE
603FK	ø6.0	0.8	2.8	ø3.6	ø3.1	2000



電晶體墊片 TRANSISTOR WASHER 8-63-3

- MATERIAL: PPS(UL)
- FLAME CLASS: 94V-0
- COLOR: BLACK

PART NO	A	B	C	D	E	PACKAGE
603QT	ø4.4	1.5	0.5	ø3.55	ø2.95	2000

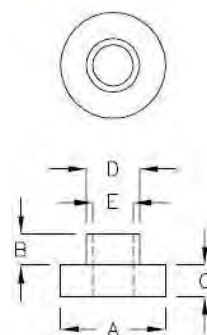




電晶體墊片 TRANSISTOR WASHER

8-64-1

- MATERIAL: NYLON 66(UL)
- FLAME CLASS: 94V-2
- OPTIONAL MATERIAL: NYLON 46(UL), PPS(UL)
- FLAME CLASS: 94V-0
- COLOR: NATURAL, BLACK



PART NO	A	B	C	D	E	PACKAGE
601A	ø3.6	2.8	1.0	ø3.0	ø1.8	2000
601C	ø3.6	2.8	1.0	ø3.0	ø2.0	
601	ø4.6	2.4	1.2	ø3.0	ø2.3	
603GK	ø4.7	3.25	0.7	ø3.55	ø3.0	
601W	ø5.0	1.0	0.8	ø3.0	ø2.0	
601M	ø5.0	1.7	1.0	ø3.0	ø2.2	
604PH	ø5.0	2.4	1.9	ø3.1	ø2.5	
602YH	ø5.0	1.6	1.3	ø3.5	ø3.0	
603NJ	ø5.0	2.0	1.9	ø3.5	ø3.0	
603QH	ø5.0	2.4	1.9	ø3.5	ø3.0	
601S	ø5.4	0.8	1.0	ø3.4	ø2.9	
601Q	ø5.5	2.16	1.04	ø3.64	ø2.56	
601R	ø5.7	1.75	0.95	ø3.55	ø2.95	
603	ø5.9	2.2	1.9	ø3.55	ø2.95	
601J	ø6.0	0.9	2.5	ø3.0	ø2.2	
601H	ø6.0	4.0	1.5	ø3.0	ø2.5	
601D	ø6.0	4.5	1.0	ø3.0	ø2.5	
602HC	ø6.0	1.6	1.3	ø3.5	ø2.95	
603D	ø6.0	2.5	1.2	ø3.5	ø2.7	
604P	ø6.0	2.54	2.0	ø3.5	ø2.88	
605A	ø6.0	5.7	1.2	ø3.5	ø2.95	
602S	ø6.0	1.2	1.3	ø3.55	ø2.95	
602	ø6.0	1.6	1.3	ø3.55	ø2.95	
602Y	ø6.0	1.6	1.3	ø3.55	ø3.0	
603L	ø6.0	2.0	2.0	ø3.55	ø2.95	
603M	ø6.0	2.3	1.8	ø3.55	ø2.95	
603P	ø6.0	2.3	1.8	ø3.55	ø3.0	
604S	ø6.0	3.1	1.5	ø3.55	ø2.95	
604	ø6.0	3.2	2.0	ø3.55	ø2.95	
608L	ø6.0	7.7	1.0	ø3.55	ø2.95	
605U	ø6.0	1.5	0.5	ø3.6	ø3.0	
602L	ø6.0	1.5	1.5	ø3.6	ø3.0	

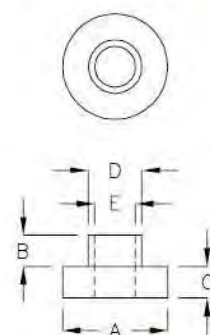
PART NO	A	B	C	D	E	PACKAGE
603AG	ø6.1	0.8	2.0	ø3.55	ø2.95	2000
602K	ø6.1	1.4	1.5	ø3.55	ø2.95	
602M	ø6.1	1.5	1.2	ø3.55	ø2.95	
603S	ø6.1	1.5	2.0	ø3.55	ø2.95	
603W	ø6.1	1.5	2.0	ø3.55	ø2.95	
603K	ø6.1	2.0	1.4	ø3.55	ø2.95	
603Y	ø6.1	2.25	2.0	ø3.55	ø2.95	
602MS	ø6.15	1.4	1.2	ø3.55	ø2.95	
602TK	ø6.2	1.2	1.0	ø3.5	ø2.9	
603MK	ø6.2	2.4	1.9	ø3.5	ø3.0	
602W	ø6.2	2.4	1.9	ø3.5	ø3.0	
604HQ	ø6.2	3.1	1.5	ø3.5	ø2.95	
602KD	ø6.2	0.6	1.2	ø3.55	ø2.95	
603U	ø6.2	3.0	1.9	ø3.55	ø3.0	
604V	ø6.2	3.1	1.5	ø3.55	ø2.95	
604C	ø6.2	3.6	1.2	ø3.55	ø2.95	
603A	ø6.2	2.9	1.9	ø3.6	ø2.95	
604K	ø6.22	3.1	1.02	ø3.56	ø2.95	
604M	ø6.3	2.6	2.0	ø3.55	ø2.95	
605AF	ø6.3	1.5	2.5	ø3.9	ø3.2	
605W	ø6.35	2.05	1.0	ø4.1	ø3.15	
605MF	ø6.35	2.05	1.02	ø4.35	ø3.08	
605N	ø6.4	2.0	1.2	ø3.53	ø3.0	
605T	ø6.4	3.0	1.5	ø3.53	ø3.0	
604L	ø6.4	2.0	1.3	ø3.55	ø2.95	
606S	ø6.5	1.7	2.5	ø4.15	ø3.2	
606	ø6.5	1.7	3.0	ø4.25	ø3.2	
603T	ø7.0	2.4	1.3	ø3.55	ø3.0	
605S	ø7.9	1.5	1.0	ø3.6	ø3.0	
605	ø8.0	5.7	1.2	ø3.5	ø2.95	
606A	ø8.0	6.3	1.2	ø3.55	ø2.9	
601F	ø8.0	3.9	0.5	ø6.0	ø3.5	
605K	ø10.0	5.7	2.2	ø3.95	ø2.95	
605F	ø12.0	5.7	2.7	ø3.95	ø2.95	



電晶體墊片 TRANSISTOR WASHER

8-65-1

- MATERIAL: NYLON 66(UL)
- FLAME CLASS: 94V-2
- COLOR: NATURAL
- OPTIONAL MATERIAL: NYLON 46(UL), PPS(UL), PBT(UL)
- FLAME CLASS: 94V-0
- COLOR: NATURAL, BLACK



PART NO	A	B	C	D	E	PACKAGE
706A	ø7.0	2.5	1.0	ø3.5	ø3.1	2000
701	ø7.0	4.4	2.0	ø3.55	ø2.95	
706C	ø7.0	1.67	1.06	ø4.5	ø2.35	
706D	ø7.0	1.67	0.81	ø4.5	ø2.35	
703	ø7.0	2.5	2.0	ø5.0	ø2.95	
704A	ø7.0	3.0	1.0	ø5.0	ø4.0	
705	ø7.0	4.0	1.0	ø5.0	ø4.0	
704	ø7.0	5.8	2.0	ø5.0	ø3.0	
702A	ø7.11	0.8	1.2	ø3.68	ø3.0	
805	ø7.8	3.65	1.2	ø5.9	ø3.1	
805A	ø7.9	2.5	1.2	ø5.9	ø3.2	
806H	ø8.0	2.7	1.3	ø3.05	ø2.5	
805C	ø8.0	1.2	4.0	ø3.5	ø3.0	
803A	ø8.0	2.4	1.3	ø3.5	ø2.95	
806F	ø8.0	2.7	1.3	ø3.5	ø2.5	
802	ø8.0	2.5	2.0	ø3.7	ø2.95	
806	ø8.0	1.9	1.45	ø3.9	ø3.2	
801A	ø8.0	0.9	2.0	ø4.4	ø3.2	
801C	ø8.0	0.9	2.0	ø4.65	ø4.0	
804A	ø8.0	5.1	1.0	ø4.55	ø3.65	
804C	ø8.0	0.9	3.2	ø4.65	ø3.1	
804	ø8.0	3.0	3.2	ø4.65	ø3.1	

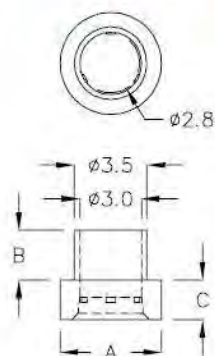
PART NO	A	B	C	D	E	PACKAGE
803	ø8.1	2.7	1.2	ø3.9	ø3.0	2000
801	ø8.1	0.8	1.0	ø4.9	ø3.1	
805B	ø8.1	6.65	1.25	ø6.0	ø3.1	
808F	ø8.8	2.0	0.8	ø5.0	ø4.1	
807B	ø9.0	3.75	2.0	ø6.0	ø3.0	
808D	ø9.5	1.55	0.8	ø4.95	ø4.35	
808A	ø9.5	1.2	2.0	ø6.2	ø3.8	
808	ø9.6	0.65	1.55	ø6.0	ø3.65	
809	ø10.0	4.0	1.0	ø5.0	ø4.0	
809A	ø10.0	3.0	1.0	ø5.0	ø4.0	
811	ø10.8	3.8	2.0	ø7.9	ø5.3	
811A	ø10.9	7.25	1.1	ø5.0	ø4.0	
813K	ø11.0	3.5	1.5	ø6.9	ø4.3	
812	ø11.8	2.0	2.0	ø5.9	ø3.0	
803K	ø11.8	1.9	0.5	ø6.0	ø4.0	
812C	ø11.8	2.0	1.2	ø5.9	ø3.0	
812L	ø11.9	3.0	2.6	ø7.9	ø4.0	
812A	ø12.3	9.0	1.1	ø5.3	ø4.5	
812D	ø12.7	1.6	1.6	ø7.96	ø3.58	
713	ø13.0	5.9	3.0	ø7.8	ø4.1	2000
814	ø14.0	18.9	1.3	ø6.6	ø5.1	500
817A	ø15.0	13.0	2.0	ø9.95	ø8.1	
815	ø15.9	1.65	2.0	ø5.9	ø3.1	
901	ø19.2	1.6	3.25	ø12.7	ø9.5	



電晶體墊片 TRANSISTOR WASHER

8-65-2

- MATERIAL: PPS(UL)
- FLAME CLASS: 94V-0
- COLOR: BLACK



PART NO	A	B	C	PACKAGE
603RA	ø5.0	2.4	1.9	2000

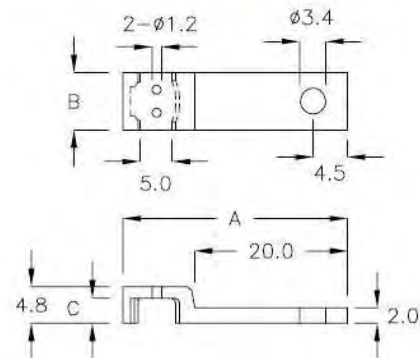


電晶體蓋 TRANSISTOR COVER

8-66-1

- MATERIAL: PBT(UL)
- FLAME CLASS: 94V-0
- COLOR: NATURAL

PART NO	A	B	C	PACKAGE
HU-19	29.5	7.5	3.3	1000

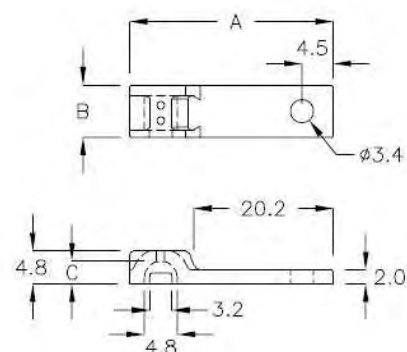


電晶體蓋 TRANSISTOR COVER

8-66-2

- MATERIAL: PBT(UL)
- FLAME CLASS: 94V-0
- COLOR: NATURAL

PART NO	A	B	C	PACKAGE
HU-19A	29.5	7.5	3.3	1000

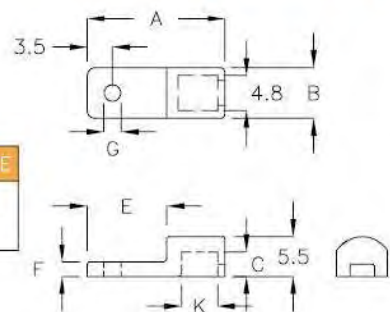


電晶體蓋 TRANSISTOR COVER

8-66-3

- MATERIAL: PBT(UL)
- FLAME CLASS: 94V-0
- COLOR: NATURAL

PART NO	A	B	C	E	F	G	K	PACKAGE
HUK-01	19.0	7.0	3.4	11.0	2.0	ø2.4	5.0	1000
HUK-2A	15.0	7.0	3.6	7.0	2.0	ø3.2	5.5	

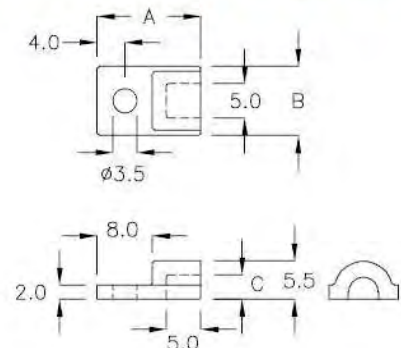


電晶體蓋 TRANSISTOR COVER

8-66-4

- MATERIAL: PBT(UL)
- FLAME CLASS: 94V-0
- COLOR: NATURAL

PART NO	A	B	C	PACKAGE
HUK-7Y	15.0	10.0	3.3	1000

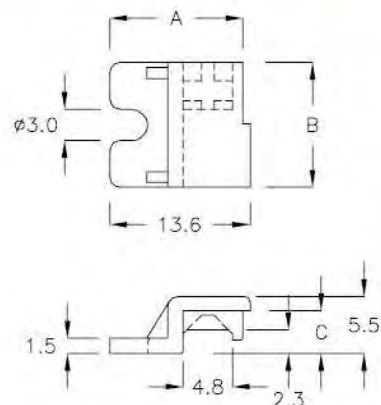




電晶體蓋 TRANSISTOR COVER 8-67-1

- MATERIAL: PBT(UL)
- FLAME CLASS: 94V-0
- COLOR: NATURAL

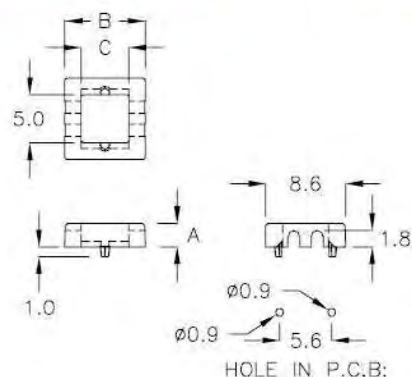
PART NO	A	B	C	PACKAGE
HU-07T	12.9	12.0	4.1	1000



光電耦合器保護蓋 OPTICAL COUPLER COVER 8-67-2

- MATERIAL: PC(UL)
- FLAME CLASS: 94V-2
- COLOR: BLACK

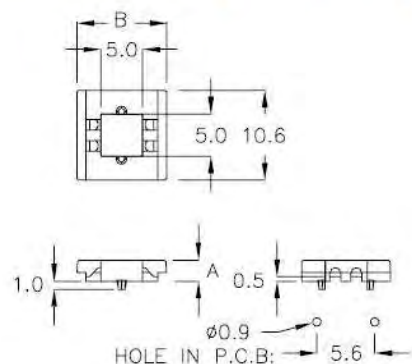
PART NO	A	B	C	PACKAGE
HUJ-01	2.5	8.6	5.0	2000
HUJ-1FD	3.0	8.6	5.0	
HUJ-2MK	2.5	11.6	8.0	



光電耦合器保護蓋 OPTICAL COUPLER COVER 8-67-3

- MATERIAL: PC(UL)
- FLAME CLASS: 94V-2
- COLOR: BLACK

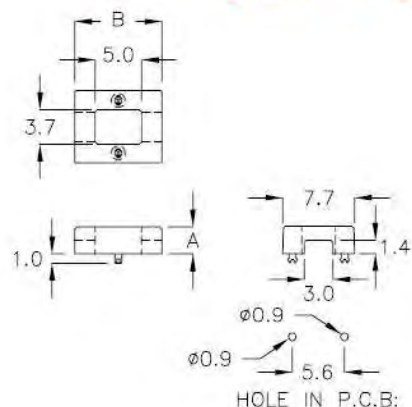
PART NO	A	B	PACKAGE
HUJ-3RS	2.5	10.6	1000



光電耦合器保護蓋 OPTICAL COUPLER COVER 8-67-4

- MATERIAL: PC(UL)
- FLAME CLASS: 94V-2
- COLOR: BLACK

PART NO	A	B	PACKAGE
HUJ-2A	2.4	9.4	2000
HUJ-2XY	2.9	9.4	



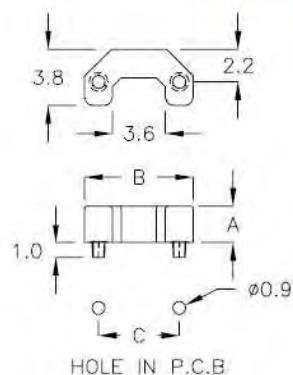


IC 保護蓋 IC COVER

8-68-1

- MATERIAL: PC(UL)
- FLAME CLASS: 94V-2
- COLOR: BLACK

PART NO	A	B	C	PACKAGE
MPT-7PN	2.5	7.4	5.5	2000

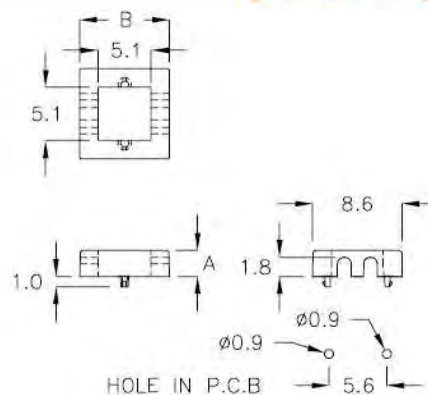


光電耦合器保護蓋 OPTICAL COUPLER COVER

8-68-2

- MATERIAL: PC(UL)
- FLAME CLASS: 94V-2
- COLOR: BLACK

PART NO	A	B	PACKAGE
HJA-2D	2.5	8.6	2000

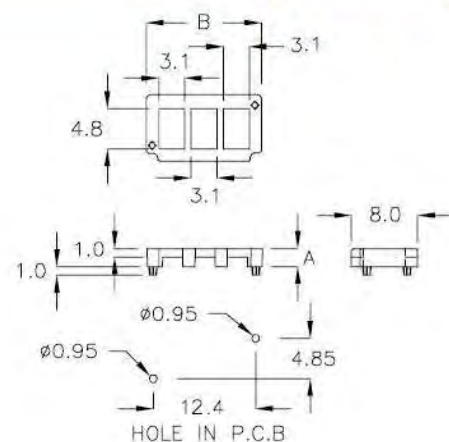


IC 保護蓋 IC COVER

8-68-3

- MATERIAL: PC(UL)
- FLAME CLASS: 94V-2
- COLOR: BLACK

PART NO	A	B	PACKAGE
HUJ-4HN	2.2	13.9	1000

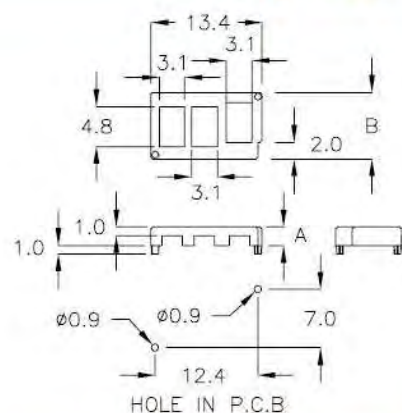


IC 保護蓋 IC COVER

8-68-4

- MATERIAL: PC(UL)
- FLAME CLASS: 94V-2
- COLOR: BLACK

PART NO	A	B	PACKAGE
HUJ-4QM	2.2	8.0	1000



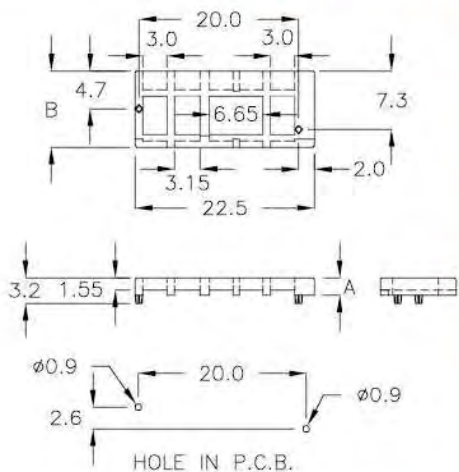


IC 保護蓋 IC COVER

8-69-1

- MATERIAL: PC(UL)
- FLAME CLASS: 94V-2
- COLOR: BLACK

PART NO	A	B	PACKAGE
HUJ-4CR	2.2	9.5	1000

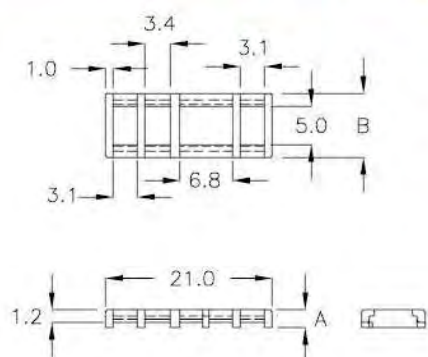


IC 保護蓋 IC COVER

8-69-2

- MATERIAL: NYLON 66(UL)
- FLAME CLASS: 94V-2
- COLOR: BLACK

PART NO	A	B	PACKAGE
HUT-2CD	2.2	8.2	1000

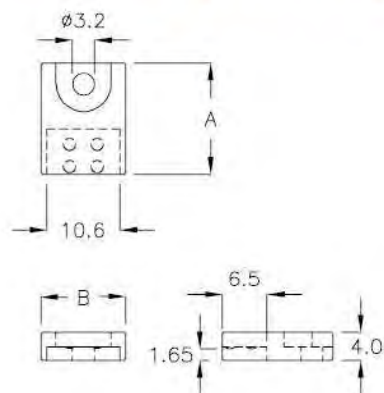


IC 保護蓋 IC COVER

8-69-3

- MATERIAL: NYLON 66(UL)
- FLAME CLASS: 94V-2
- COLOR: NATURAL

PART NO	A	B	PACKAGE
ICC-16	16.0	12.2	1000

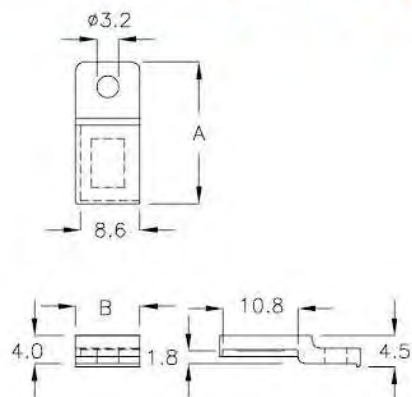


IC 保護蓋 IC COVER

8-69-4

- MATERIAL: NYLON 66(UL)
- FLAME CLASS: 94V-2
- COLOR: NATURAL

PART NO	A	B	PACKAGE
ICA-20A	20.4	9.3	500



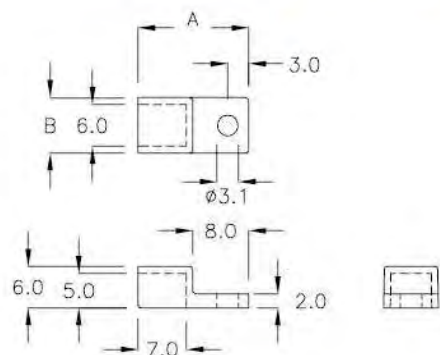


IC 保護蓋 IC COVER

8-70-1

- MATERIAL: NYLON 66(UL)
- FLAME CLASS: 94V-2
- COLOR: BLACK

PART NO	A	B	PACKAGE
HUQ-16	16.0	8.0	500

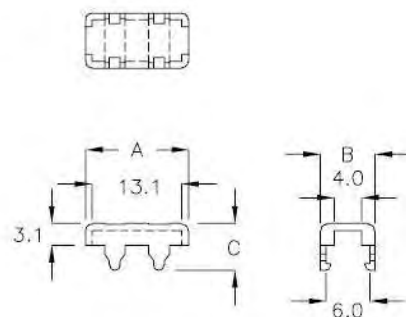


保護蓋 HOLE PROTECTOR

8-70-2

- MATERIAL: NYLON 66(UL)
- FLAME CLASS: 94V-0
- COLOR: NATURAL

PART NO	A	B	C	PACKAGE
MPR-05	15.1	8.0	6.8	1000

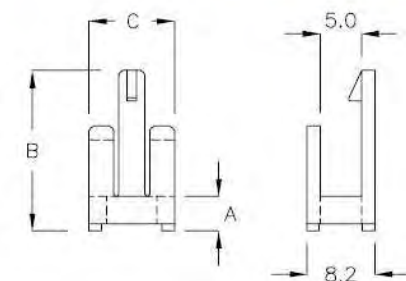


電晶體座 TRANSISTOR HOUSING

8-70-3

- MATERIAL: NYLON 66(UL)
- FLAME CLASS: 94V-2
- COLOR: BLACK
- FOR TO-220 TRANSISTOR

PART NO	A	B	C	PACKAGE
TRR-4A	4.1	19.2	10.3	1000

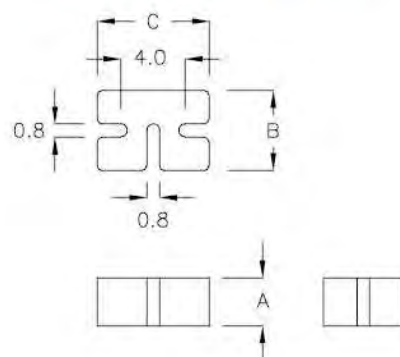


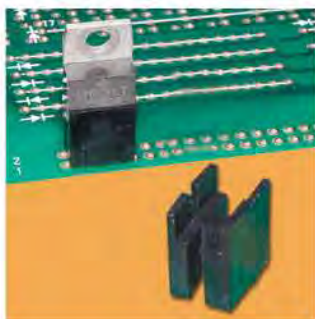
電晶體座 TRANSISTOR HOUSING

8-70-4

- MATERIAL: NYLON 66(UL)
- FLAME CLASS: 94V-2
- COLOR: BLACK

PART NO	A	B	C	PACKAGE
TR-01A	3.0	5.0	7.0	2000



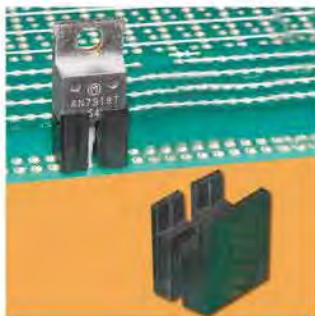
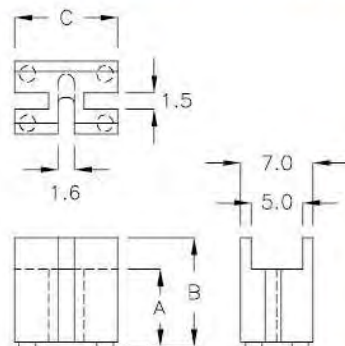


電晶體座 TRANSISTOR HOUSING

8-71-1

- MATERIAL: NYLON 66(UL)
- FLAME CLASS: 94V-2
- COLOR: BLACK
- FOR TO-220 TRANSISTOR

PART NO	A	B	C	PACKAGE
TR-01	7.6	10.5	10.0	1000

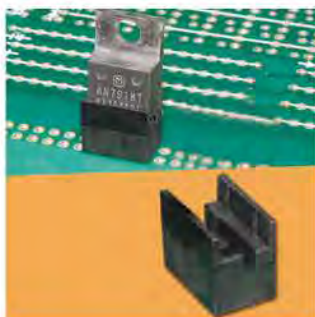
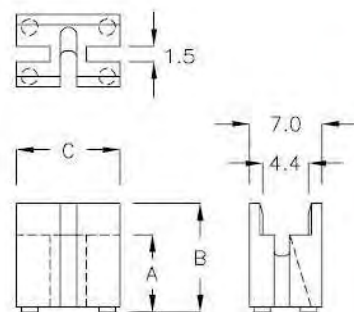


電晶體座 TRANSISTOR HOUSING

8-71-2

- MATERIAL: NYLON 66(UL)
- FLAME CLASS: 94V-2
- COLOR: BLACK
- FOR TO-220 TRANSISTOR

PART NO	A	B	C	PACKAGE
TR-01C	7.5	10.5	10.0	1000

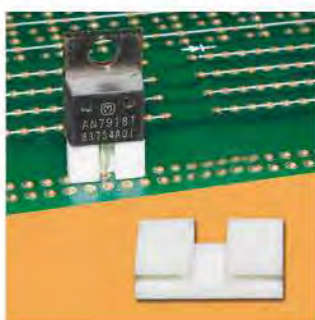
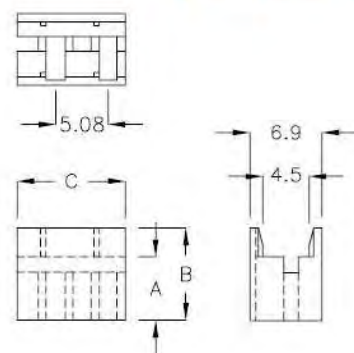


電晶體座 TRANSISTOR HOUSING

8-71-3

- MATERIAL: NYLON 66(UL)
- FLAME CLASS: 94V-2
- COLOR: BLACK

PART NO	A	B	C	PACKAGE
TR-01D	6.1	9.0	10.5	1000

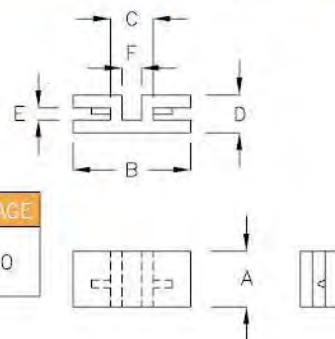


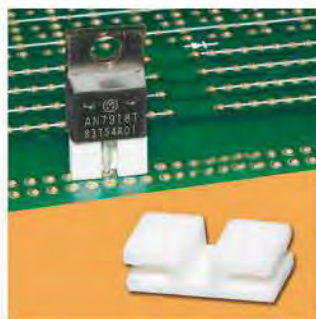
電晶體座 TRANSISTOR HOUSING

8-71-4

- MATERIAL: PBT,NYLON 66(UL)
- COLOR: NATURAL
- FOR TO-220 TRANSISTOR
- * FOR TO-247 TRANSISTOR

PART NO	MATERIAL	A	B	C	D	E	F	PACKAGE
TR-01H	PBT VO	4.5	9.5	3.4	3.0	1.0	1.6	2000
*TR-1MK	N66 V2	8.0	14.7	7.0	4.0	1.2	3.6	

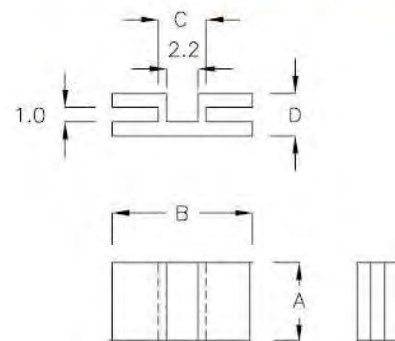




電晶體座 TRANSISTOR HOUSING ———— 8-72-1

- MATERIAL: PBT(UL)
- FLAME CLASS: 94V-0
- COLOR: NATURAL

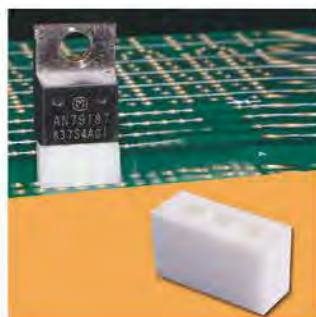
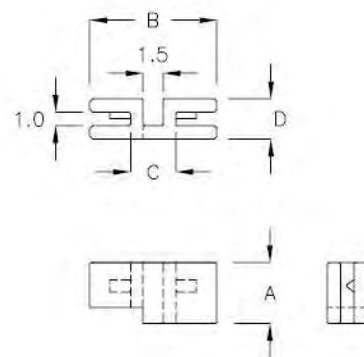
PART NO.	A	B	C	D	PACKAGE
TR-01F	5.5	10.0	3.4	3.0	2000



電晶體座 TRANSISTOR HOUSING ———— 8-72-2

- MATERIAL: PBT(UL)
- FLAME CLASS: 94V-0
- COLOR: NATURAL

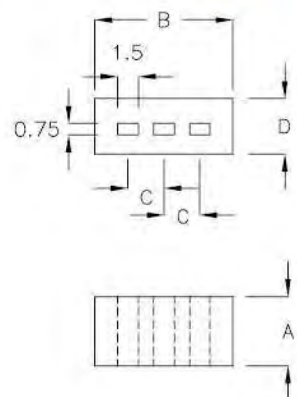
PART NO.	A	B	C	D	PACKAGE
TR-1YQ	4.5	9.45	3.4	3.0	2000



電晶體座 TRANSISTOR HOUSING ———— 8-72-3

- MATERIAL: NYLON 66(UL)
- FLAME CLASS: 94V-2
- COLOR: NATURAL
- FOR TO-220 TRANSISTOR
- * FOR TO-3P TRANSISTOR

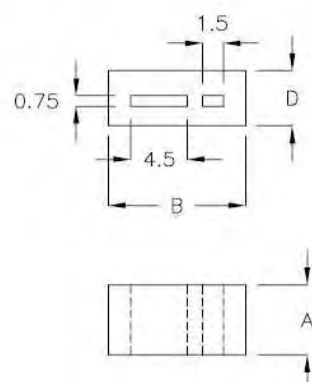
PART NO.	A	B	C	D	PACKAGE
TR-02	5.0	10.0	2.6	4.0	2000
*TR-02A	5.0	15.0	5.75	4.0	
TR-02C	3.7	10.0	2.7	3.7	

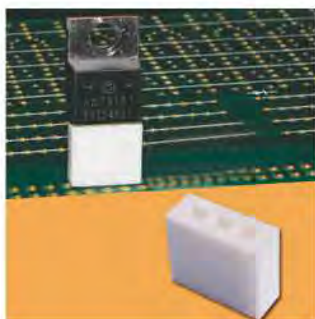


電晶體座 TRANSISTOR HOUSING ———— 8-72-4

- MATERIAL: NYLON 66(UL)
- FLAME CLASS: 94V-2
- COLOR: NATURAL
- FOR TO-220 TRANSISTOR

PART NO.	A	B	D	PACKAGE
TR-02D	5.0	10.0	4.0	2000

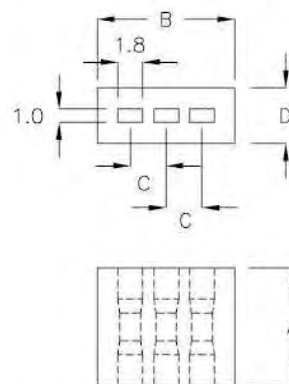




電晶體座 TRANSISTOR HOUSING 8-73-1

- MATERIAL: NYLON 66(UL)
- FLAME CLASS: 94V-2
- COLOR: NATURAL
- FOR TO-220 TRANSISTOR

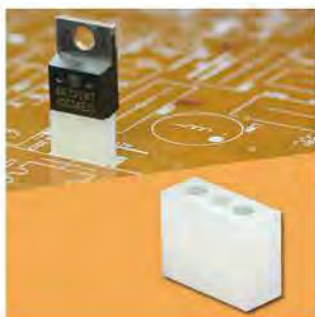
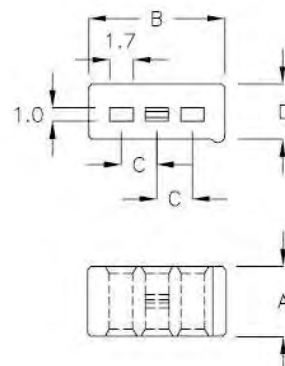
PART NO	A	B	C	D	PACKAGE
TR-02F	8.5	10.0	2.6	4.0	1000
TR-02H	9.5	10.0	2.6	4.0	



電晶體座 TRANSISTOR HOUSING 8-73-2

- MATERIAL: NYLON 66(UL)
- FLAME CLASS: 94V-0
- COLOR: BLACK
- FOR TO-220 TRANSISTOR

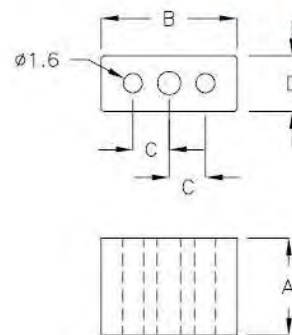
PART NO	A	B	C	D	PACKAGE
TR-2QM	5.0	10.0	2.6	4.0	2000



電晶體座 TRANSISTOR HOUSING 8-73-3

- MATERIAL: NYLON 66(UL)
- FLAME CLASS: 94V-2
- COLOR: NATURAL
- FOR TO-220 TRANSISTOR

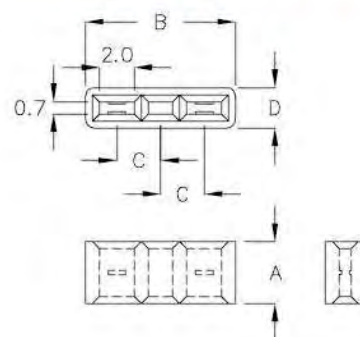
PART NO	A	B	C	D	PACKAGE
TRZ-07	7.0	9.8	2.6	4.0	1000



電晶體座 TRANSISTOR HOUSING 8-73-4

- MATERIAL: NYLON 66(UL)
- FLAME CLASS: 94V-0
- COLOR: NATURAL
- FOR TO-220 TRANSISTOR

PART NO	A	B	C	D	PACKAGE
TR-2DC	3.5	8.6	2.5	2.3	2000



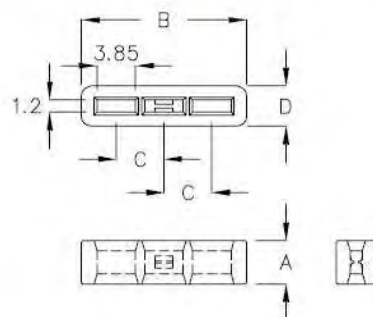


電晶體座 TRANSISTOR HOUSING

8-74-1

- MATERIAL: NYLON 66(UL)
- FLAME CLASS: 94V-2
- COLOR: NATURAL, BLACK
- FOR TO-247 TRANSISTOR

PART NO	A	B	C	D	PACKAGE
TR-2HK	4.3	15.0	4.8	2.8	2000
TR-2WS	4.3	16.5	4.8	4.0	

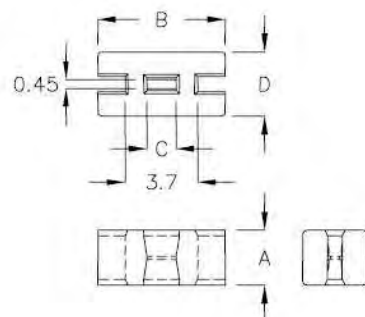


電晶體座 TRANSISTOR HOUSING

8-74-2

- MATERIAL: NYLON 66(UL)
- FLAME CLASS: 94V-2
- COLOR: BLACK

PART NO	A	B	C	D	PACKAGE
TRK-2A	2.8	6.5	1.5	3.0	2000

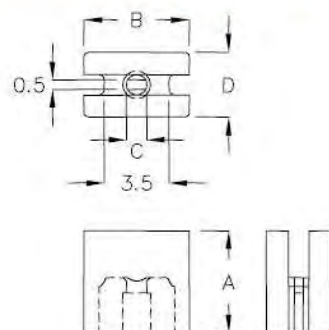


電晶體座 TRANSISTOR HOUSING

8-74-3

- MATERIAL: NYLON 66(UL)
- FLAME CLASS: 94V-2
- COLOR: NATURAL

PART NO	A	B	C	D	PACKAGE
TRT-5CS	5.5	5.7	∅1.1	3.5	2000

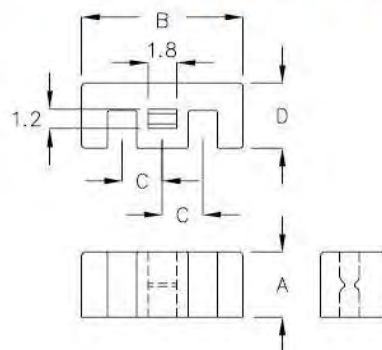


電晶體座 TRANSISTOR HOUSING

8-74-4

- MATERIAL: NYLON 66(UL)
- FLAME CLASS: 94V-0
- COLOR: NATURAL
- FOR TO-220FP TRANSISTOR

PART NO	A	B	C	D	PACKAGE
TRW-4YL	4.0	10.0	2.5	4.0	1000

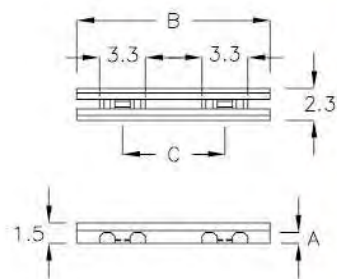




電晶體座 TRANSISTOR HOUSING 8-75-1

- MATERIAL: NYLON 66(UL)
- FLAME CLASS: 94V-0
- COLOR: NATURAL
- FOR TO-251 TRANSISTOR

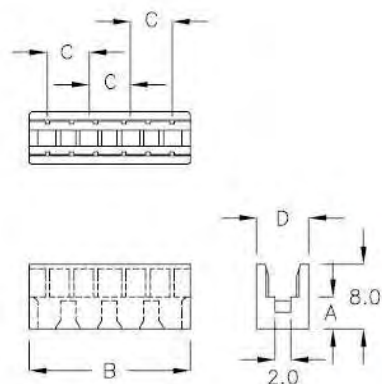
PART NO	A	B	C	PACKAGE
TRY-1A	0.8	14.0	7.4	1000



電晶體座 TRANSISTOR HOUSING 8-75-2

- MATERIAL: NYLON 66(UL)
- FLAME CLASS: 94V-2
- COLOR: NATURAL

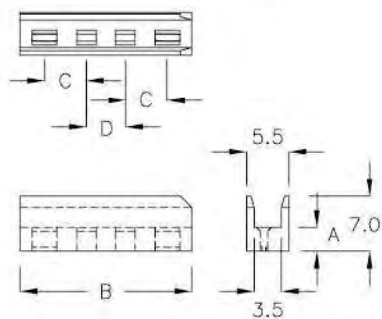
PART NO	A	B	C	D	PACKAGE
TR-20D	4.0	20.0	5.2	6.5	1000



電晶體座 TRANSISTOR HOUSING 8-75-3

- MATERIAL: PBT(UL)
- FLAME CLASS: 94V-0
- COLOR: BLACK

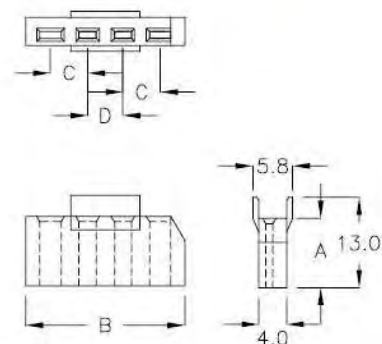
PART NO	A	B	C	D	PACKAGE
TR-22D	3.0	22.0	5.35	5.0	1000



電晶體座 TRANSISTOR HOUSING 8-75-4

- MATERIAL: NYLON 66(UL)
- FLAME CLASS: 94V-2
- COLOR: NATURAL

PART NO	A	B	C	D	PACKAGE
TRL-10	10.0	23.0	5.4	5.1	1000



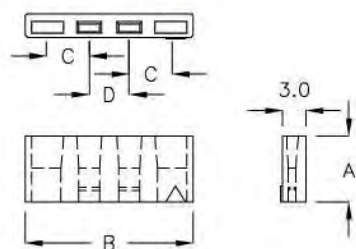


電晶體座 TRANSISTOR HOUSING

8-76-1

- MATERIAL: NYLON 66(UL)
- FLAME CLASS: 94V-0
- COLOR: NATURAL

PART NO	A	B	C	D	PACKAGE
TRN-9H	8.5	21.3	5.44	5.08	1000



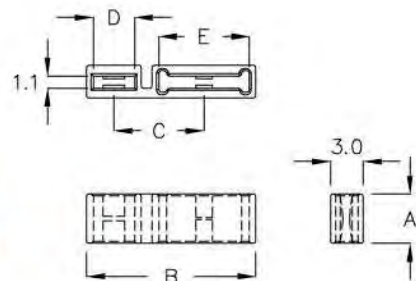
電晶體座 TRANSISTOR HOUSING

8-76-2

- MATERIAL: NYLON 66(UL)
- FLAME CLASS: 94V-0
- COLOR: NATURAL
- FOR TO-247-4L-M TRANSISTOR

NEW

PART NO	A	B	C	D	E	PACKAGE
★ TRNC-4A	4.5	15.5	8.25	3.8	8.3	1000

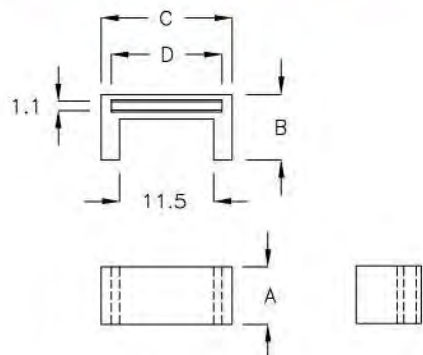


電晶體座 TRANSISTOR HOUSING

8-76-3

- MATERIAL: NYLON 66(UL)
- FLAME CLASS: 94V-2
- COLOR: NATURAL
- FOR TO-3P TRANSISTOR

PART NO	A	B	C	D	PACKAGE
QLL-16	7.0	8.0	16.0	13.5	2000

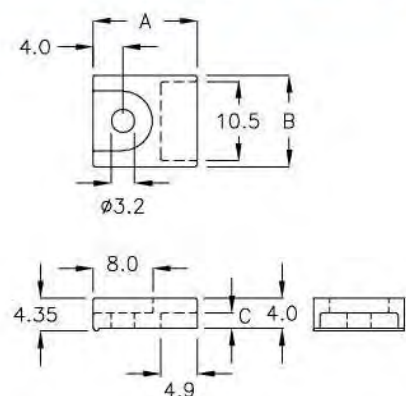


電晶體蓋 TRANSISTOR COVER

8-76-4

- MATERIAL: NYLON 66+GF30%
- FLAME CLASS: 94V-0
- COLOR: NATURAL

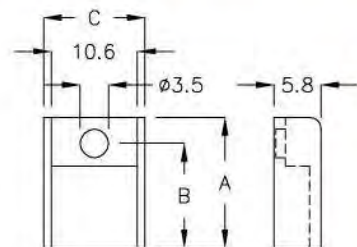
PART NO	A	B	C	PACKAGE
HUF-14	14.0	12.2	2.0	1000





電晶體蓋 TRANSISTOR COVER ——— 8-77-1 |

- MATERIAL: PBT(UL)
- FLAME CLASS: 94V-0
- COLOR: NATURAL
- FOR TO-220 TRANSISTOR

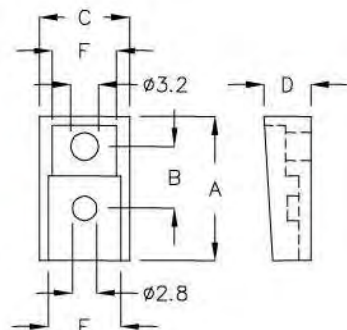


PART NO	A	B	C	PACKAGE
TR-03	16.0	12.8	12.5	500



電晶體蓋 TRANSISTOR COVER ——— 8-77-2 |

- MATERIAL: PBT(UL)
- FLAME CLASS: 94V-0
- COLOR: NATURAL

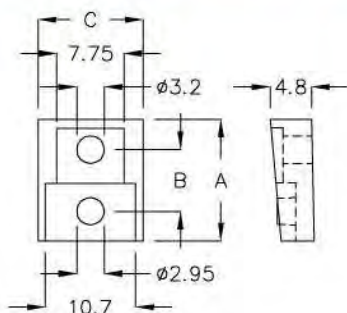


PART NO	A	B	C	D	E	F	PACKAGE
TR-03A	16.6	7.1	10.4	5.4	8.5	7.4	500
TR-03E	14.0	7.1	10.4	4.2	8.4	7.8	



電晶體蓋 TRANSISTOR COVER ——— 8-77-3 |

- MATERIAL: PBT(UL)
- FLAME CLASS: 94V-0
- COLOR: NATURAL

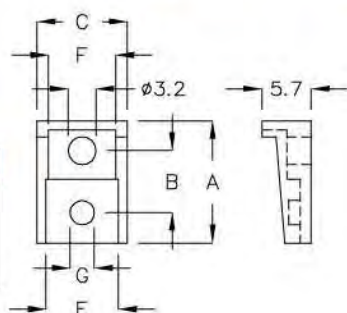


PART NO	A	B	C	PACKAGE
TR-03P	14.0	7.35	13.0	1000

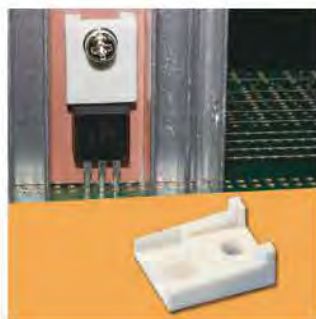


電晶體蓋 TRANSISTOR COVER ——— 8-77-4 |

- MATERIAL: PBT(UL)
- FLAME CLASS: 94V-0
- COLOR: NATURAL



PART NO	A	B	C	E	F	G	PACKAGE
TR-03C	14.0	7.1	10.4	8.4	7.8	φ2.8	500
TR-03D	14.0	7.1	12.0	10.2	7.7	φ3.4	
TR-03L	14.8	8.15	12.15	10.35	7.8	φ3.1	

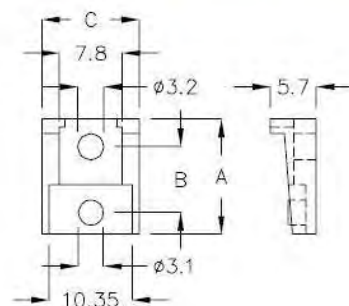


電晶體蓋 TRANSISTOR COVER

8-78-1

- MATERIAL: PBT(UL)
- FLAME CLASS: 94V-0
- COLOR: NATURAL
- FOR TO-220 TRANSISTOR

PART NO	A	B	C	PACKAGE
TR-03N	14.2	8.15	12.15	500

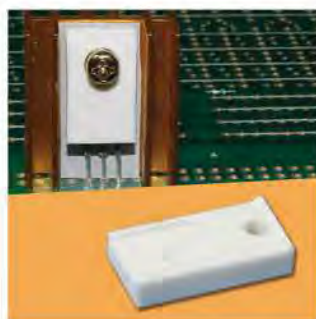
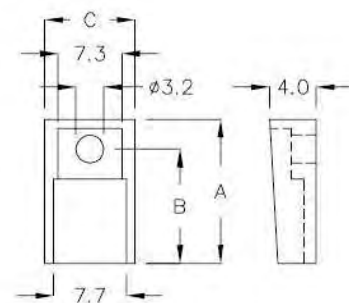


電晶體蓋 TRANSISTOR COVER

8-78-2

- MATERIAL: PBT(UL)
- FLAME CLASS: 94V-0
- COLOR: NATURAL

PART NO	A	B	C	PACKAGE
TR-03F	16.0	12.8	10.3	500

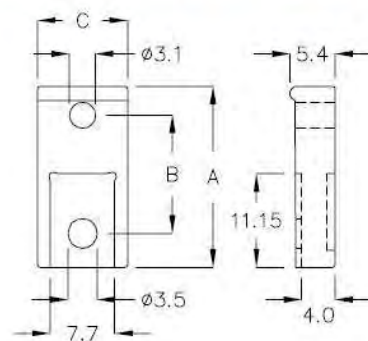


電晶體蓋 TRANSISTOR COVER

8-78-3

- MATERIAL: PBT(UL)
- FLAME CLASS: 94V-0
- COLOR: NATURAL

PART NO	A	B	C	PACKAGE
TR-03K	21.55	14.1	10.8	500

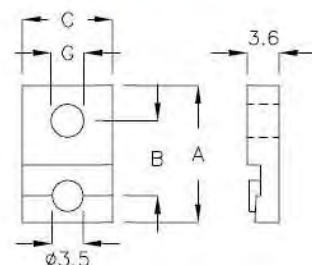


電晶體蓋 TRANSISTOR COVER

8-78-4

- MATERIAL: PBT(UL)
- FLAME CLASS: 94V-0
- COLOR: BLACK
- FOR TO-220 TRANSISTOR

PART NO	A	B	C	G	PACKAGE
TR-04A	15.3	8.35	10.1	ø3.7	1000
TR-04H	13.0	6.0	10.1	ø3.2	

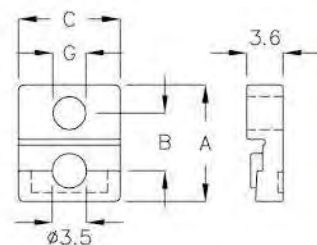




電晶體蓋 TRANSISTOR COVER 8-79-1

- MATERIAL: PBT(UL)
- FLAME CLASS: 94V-0
- COLOR: NATURAL
- FOR TO-220 TRANSISTOR

NEW

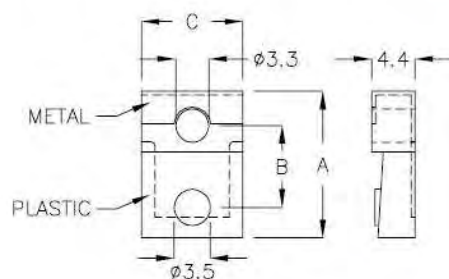


PART NO	A	B	C	G	PACKAGE
★ TR-4ND	11.45	5.65	10.1	$\phi 3.2$	1000



電晶體蓋 TRANSISTOR COVER 8-79-2

- METAL MATERIAL: PHOSPHOR BRONZE
- PLASTIC MATERIAL: NYLON 66(UL)
- FLAME CLASS: 94V-2
- COLOR: BLACK
- FOR TO-220 TRANSISTOR

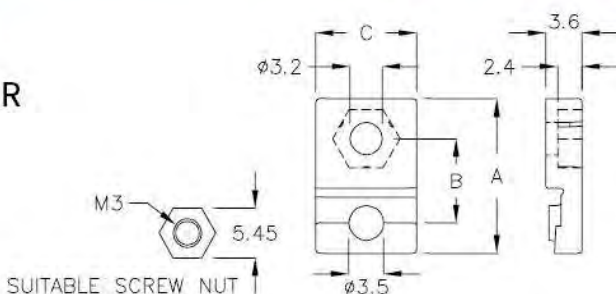


PART NO	A	B	C	PACKAGE
TR-04	14.6	8.2	10.2	1000



電晶體蓋 TRANSISTOR COVER 8-79-3

- MATERIAL: PBT(UL)
- FLAME CLASS: 94V-0
- COLOR: NATURAL
- FOR TO-220 TRANSISTOR

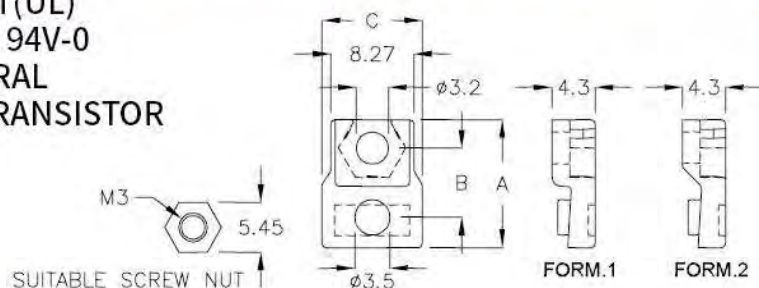


PART NO	A	B	C	PACKAGE
TR-4GS	15.3	8.35	10.1	1000
TR-4YK	14.3	7.4	10.1	



電晶體蓋 TRANSISTOR COVER 8-79-4

- MATERIAL: PBT(UL)
- FLAME CLASS: 94V-0
- COLOR: NATURAL
- FOR TO-220 TRANSISTOR



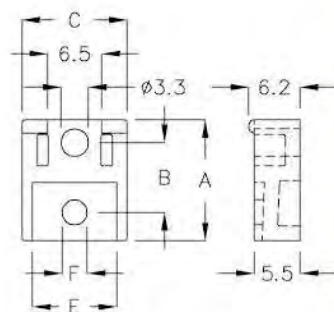
PART NO	A	B	C	FORM	PACKAGE
TR-4LF	12.65	6.85	10.0	1	1000
TR-4JW	12.65	6.85	10.0	2	



電晶體蓋 TRANSISTOR COVER 8-81-1

- MATERIAL: PBT(UL)
- FLAME CLASS: 94V-0
- COLOR: NATURAL
- FOR TO-220 TRANSISTOR

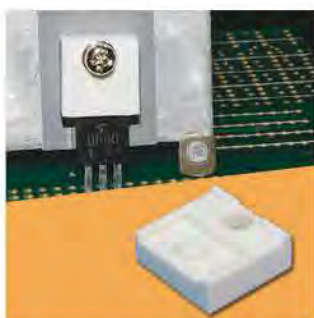
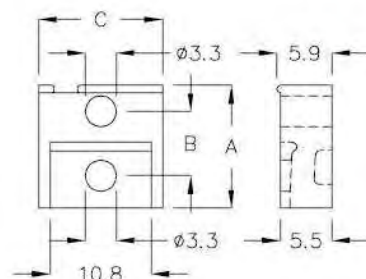
PART NO	A	B	C	E	F	PACKAGE
TR-06H	14.3	8.3	12.6	10.3	φ3.0	200
TR-06J	14.3	8.3	13.2	10.5	φ3.2	



電晶體蓋 TRANSISTOR COVER 8-81-2

- MATERIAL: PBT(UL)
- FLAME CLASS: 94V-0
- COLOR: NATURAL
- FOR TO-220 TRANSISTOR

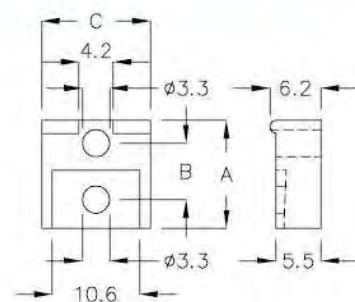
PART NO	A	B	C	PACKAGE
TR-06K	13.0	6.8	13.2	200



電晶體蓋 TRANSISTOR COVER 8-81-3

- MATERIAL: PBT(UL)
- FLAME CLASS: 94V-0
- COLOR: NATURAL
- FOR TO-220 TRANSISTOR

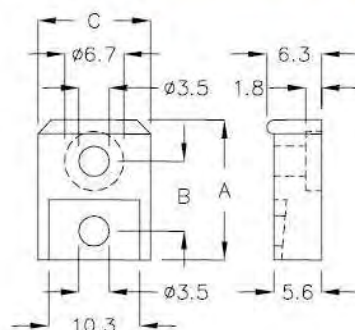
PART NO	A	B	C	PACKAGE
TR-06D	13.0	6.8	13.2	200

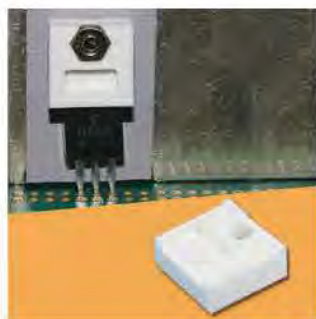


電晶體蓋 TRANSISTOR COVER 8-81-4

- MATERIAL: PBT(UL)
- FLAME CLASS: 94V-0
- COLOR: NATURAL
- FOR TO-220 TRANSISTOR

PART NO	A	B	C	PACKAGE
TR-08C	16.0	8.0	13.0	200

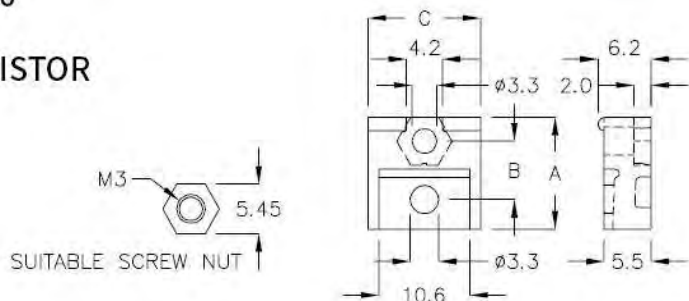




電晶體蓋 TRANSISTOR COVER

8-82-1

- MATERIAL: PBT(UL)
- FLAME CLASS: 94V-0
- COLOR: NATURAL
- FOR TO-220 TRANSISTOR



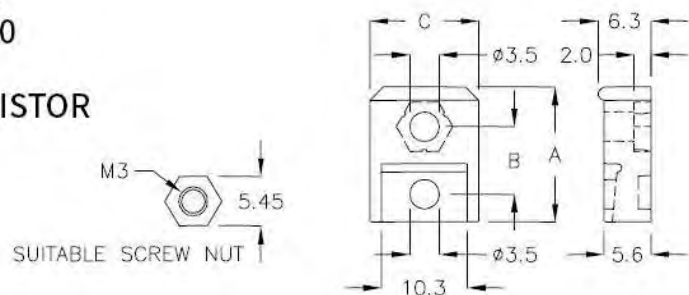
PART NO	A	B	C	PACKAGE
TR-6AF	13.0	6.8	13.2	200



電晶體蓋 TRANSISTOR COVER

8-82-2

- MATERIAL: PBT(UL)
- FLAME CLASS: 94V-0
- COLOR: NATURAL
- FOR TO-220 TRANSISTOR



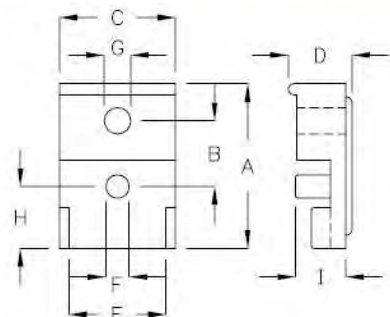
PART NO	A	B	C	PACKAGE
TR-8CF	16.0	8.0	13.0	200



電晶體蓋 TRANSISTOR COVER

8-82-3

- MATERIAL: PBT(UL)
- FLAME CLASS: 94V-0
- COLOR: NATURAL
- FOR TO-220 TRANSISTOR
- * FOR TO-3P TRANSISTOR



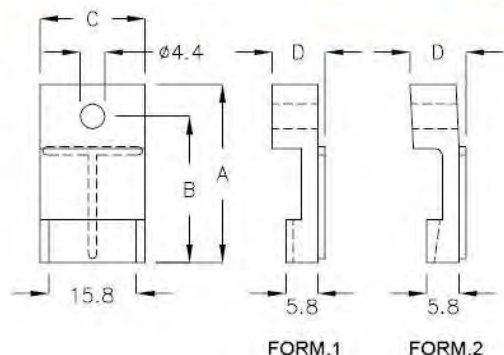
PART NO	A	B	C	D	E	F	G	H	I	PACKAGE
TR-09	22.9	9.3	12.9	9.4	10.4	∅2.9	∅3.5	8.5	7.8	200
* TR-26	26.3	10.6	18.6	10.2	15.3	∅3.6	∅4.1	9.6	7.2	



電晶體蓋 TRANSISTOR COVER

8-82-4

- MATERIAL: PBT(UL)
- FLAME CLASS: 94V-0
- COLOR: NATURAL
- FOR TO-3P TRANSISTOR



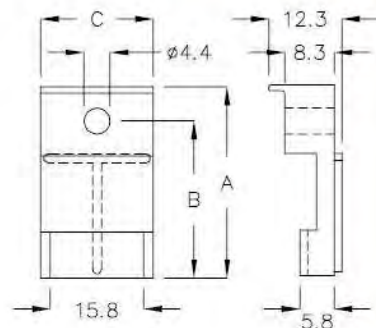
PART NO	A	B	C	D	FORM	PACKAGE
TR-10	32.0	26.3	19.1	9.75	1	200
TR-10KD	32.0	26.3	19.1	10.0	2	



電晶體蓋 TRANSISTOR COVER

8-83-1

- MATERIAL: PBT(UL)
- FLAME CLASS: 94V-0
- COLOR: NATURAL
- FOR TO-3P TRANSISTOR



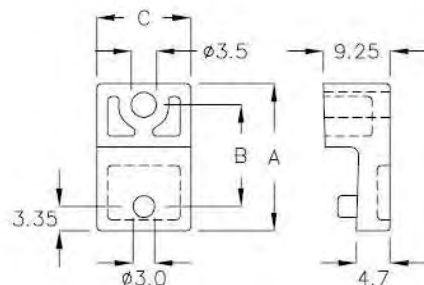
PART NO	A	B	C	PACKAGE
TR-11	32.0	26.3	19.0	200



電晶體蓋 TRANSISTOR COVER

8-83-2

- MATERIAL: PBT(UL)
- FLAME CLASS: 94V-0
- COLOR: NATURAL
- FOR TO-247 TRANSISTOR



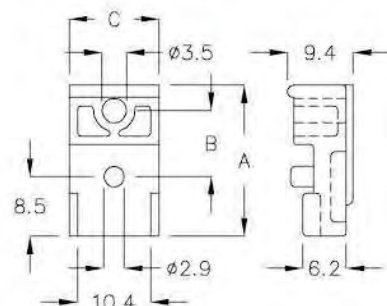
PART NO	A	B	C	PACKAGE
TR-20MK	20.25	14.0	13.0	500



電晶體蓋 TRANSISTOR COVER

8-83-3

- MATERIAL: PBT(UL)
- FLAME CLASS: 94V-0
- COLOR: NATURAL
- FOR TO-220 TRANSISTOR



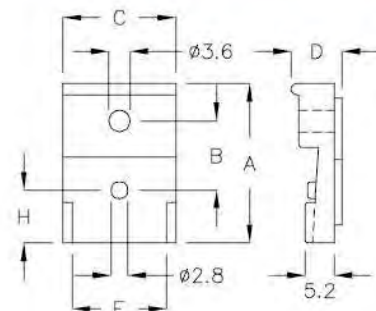
PART NO	A	B	C	PACKAGE
TR-21KP	21.5	9.3	12.9	200



電晶體蓋 TRANSISTOR COVER

8-83-4

- MATERIAL: PBT(UL)
- FLAME CLASS: 94V-0
- COLOR: NATURAL
- FOR TO-3P TRANSISTOR



PART NO	A	B	C	D	E	H	PACKAGE
TR-25	27.0	12.3	18.5	8.4	15.5	8.6	200
TR-30	32.3	9.7	21.3	9.5	18.3	15.6	
TR-30A	33.2	12.3	21.3	9.5	18.3	14.0	

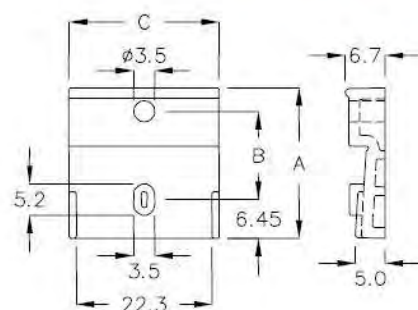


電晶體蓋 TRANSISTOR COVER

8-84-1

- MATERIAL: PBT(UL)
- FLAME CLASS: 94V-0
- COLOR: NATURAL

PART NO	A	B	C	PACKAGE
TR-31	25.0	14.65	25.1	200

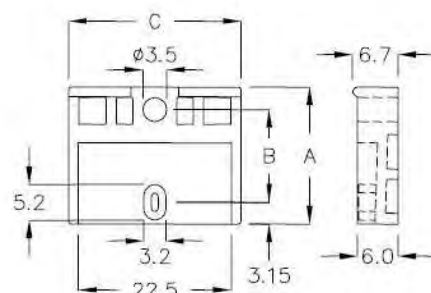


電晶體蓋 TRANSISTOR COVER

8-84-2

- MATERIAL: PBT(UL)
- FLAME CLASS: 94V-0
- COLOR: NATURAL

PART NO	A	B	C	PACKAGE
TR-31A	20.0	13.55	25.4	200

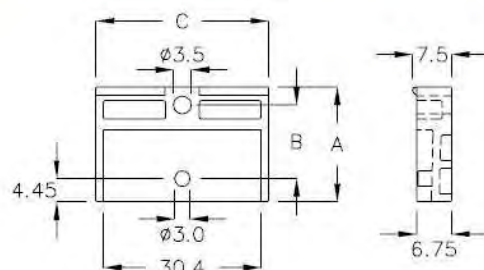


電晶體蓋 TRANSISTOR COVER

8-84-3

- MATERIAL: PBT(UL)
- FLAME CLASS: 94V-0
- COLOR: NATURAL

PART NO	A	B	C	PACKAGE
TR-33MQ	22.0	14.1	33.3	200

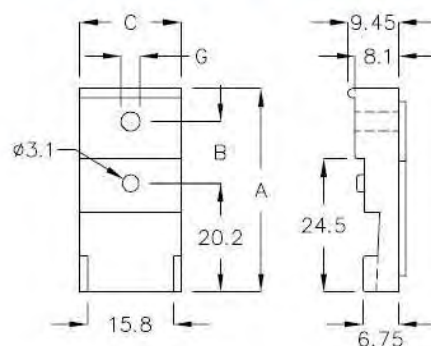


電晶體蓋 TRANSISTOR COVER

8-84-4

- MATERIAL: PBT(UL)
- FLAME CLASS: 94V-0
- COLOR: NATURAL

PART NO	A	B	C	G	PACKAGE
TR-35	37.7	11.4	18.8	ø3.6	200
TR-35A	37.7	11.4	18.8	ø4.1	



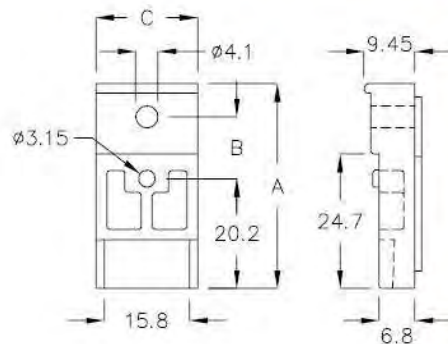


電晶體蓋 TRANSISTOR COVER

8-85-1

- MATERIAL: PBT(UL)
- FLAME CLASS: 94V-0
- COLOR: NATURAL

PART NO	A	B	C	PACKAGE
TR-35C	37.7	11.4	18.8	200

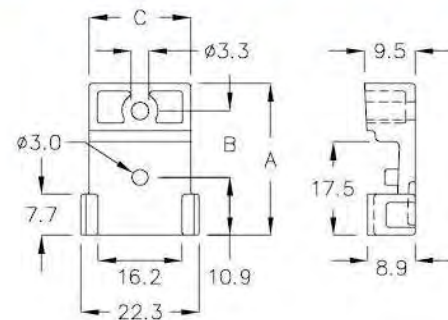


電晶體蓋 TRANSISTOR COVER

8-85-2

- MATERIAL: PBT(UL)
- FLAME CLASS: 94V-0
- COLOR: NATURAL

PART NO	A	B	C	PACKAGE
TRX-28K	28.5	12.4	19.1	100

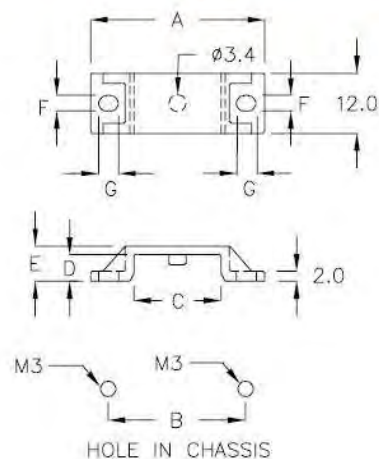


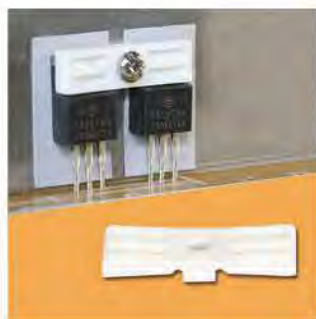
電晶體蓋 TRANSISTOR COVER

8-85-3

- MATERIAL: PBT(UL)
- FLAME CLASS: 94V-0
- COLOR: NATURAL

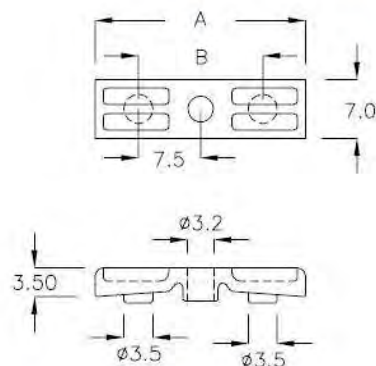
PART NO	A	B	C	D	E	F	G	PACKAGE
TRM-01	32.0	25.5	16.0	4.7	6.2	3.2	3.2	500
TRM-2A	35.0	27.65	17.5	5.3	7.0	3.2	4.0	





電晶體座 TRANSISTOR HOUSING 8-86-1

- MATERIAL: PBT(UL)
- FLAME CLASS: 94V-0
- COLOR: NATURAL
- FOR TO-220 TRANSISTOR

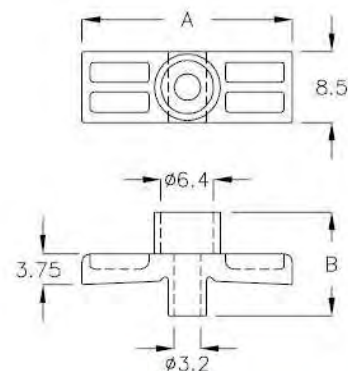


PART NO	A	B	PACKAGE
TRJ-25F	25.4	15.0	500



電晶體座 TRANSISTOR HOUSING 8-86-2

- MATERIAL: PBT(UL)
- FLAME CLASS: 94V-0
- COLOR: NATURAL
- FOR TO-247 TRANSISTOR



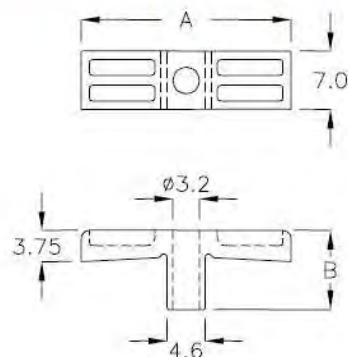
NEW

PART NO	A	B	PACKAGE
★ TRJP-25BC	25.4	12.5	500
★ TRJP-36AK	36.3	15.15	

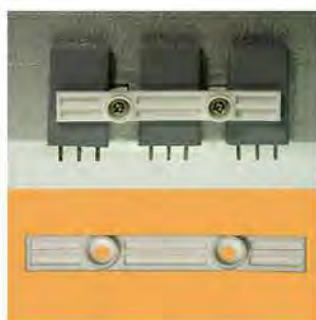


電晶體座 TRANSISTOR HOUSING 8-86-3

- MATERIAL: PBT(UL)
- FLAME CLASS: 94V-0
- COLOR: NATURAL
- FOR TO-247-3 TRANSISTOR

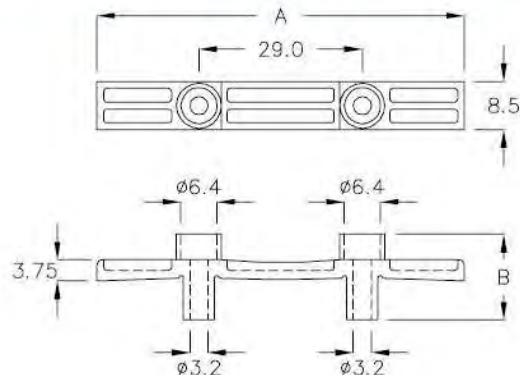


PART NO	A	B	PACKAGE
TRJQ-25A	25.4	9.5	500



電晶體座 TRANSISTOR HOUSING 8-86-4

- MATERIAL: PBT(UL)
- FLAME CLASS: 94V-0
- COLOR: NATURAL
- FOR TO-247 TRANSISTOR



NEW

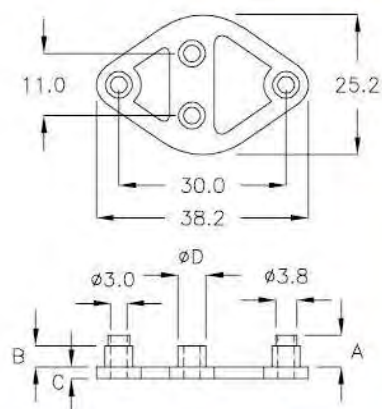
PART NO	A	B	PACKAGE
★ TRJW-65C	65.3	15.15	200



電晶體座 TRANSISTOR HOUSING 8-87-1

- MATERIAL: NYLON 66(UL)
- FLAME CLASS: 94V-2
- COLOR: NATURAL

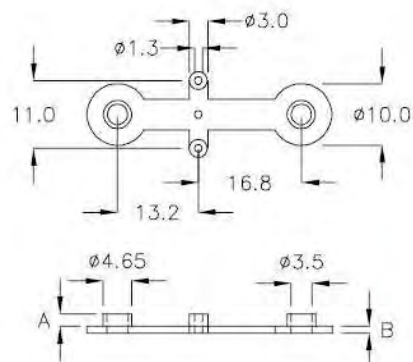
PART NO	A	B	C	D	PACKAGE
TR-20	5.6	3.8	2.1	5.0	200
TR-20A	8.2	5.9	2.0	6.0	



電晶體座 TRANSISTOR HOUSING 8-87-2

- MATERIAL: NYLON 66(UL)
- FLAME CLASS: 94V-0
- COLOR: NATURAL

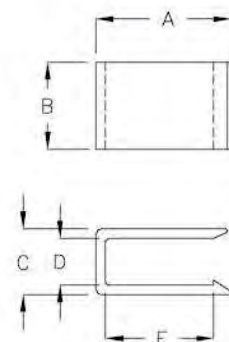
PART NO	A	B	PACKAGE
TR-20B	2.0	1.1	500



電晶體固定扣 TRANSISTOR CLAMP 8-87-3

- MATERIAL: PBT(UL)
- FLAME CLASS: 94V-0
- COLOR: NATURAL

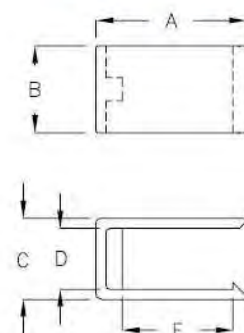
PART NO	A	B	C	D	E	PACKAGE
TRQ-4H	13.75	6.0	6.3	4.5	11.5	1000
TRQ-5CN	12.6	8.0	7.5	5.7	10.0	
TRQ-5ZL	17.25	8.0	6.8	5.0	14.7	
TRQ-10	12.5	8.0	7.0	5.2	10.0	
TRQ-10A	12.5	8.0	8.0	6.2	10.0	
TRQ-10F	12.5	8.0	7.3	5.5	10.0	
TRQ-10W	12.5	8.0	6.1	4.3	10.0	



電晶體固定扣 TRANSISTOR CLAMP 8-87-4

- MATERIAL: PBT(UL)
- FLAME CLASS: 94V-0
- COLOR: NATURAL

PART NO	A	B	C	D	E	PACKAGE
TRQ-5K	13.6	7.8	7.3	5.5	10.0	1000
TRQ-5P	12.6	7.8	7.3	5.5	9.0	
TRQ-7A	13.6	8.0	8.8	7.0	10.0	



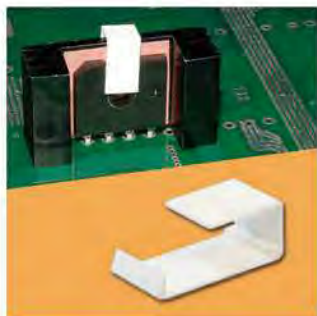
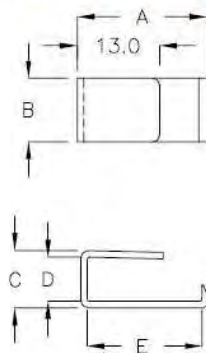


電晶體固定扣 TRANSISTOR CLAMP

8-88-1

- MATERIAL: PBT(UL)
- FLAME CLASS: 94V-0
- COLOR: NATURAL

PART NO	A	B	C	D	E	PACKAGE
TRQ-7DM	20.4	10.0	9.0	7.0	18.1	1000

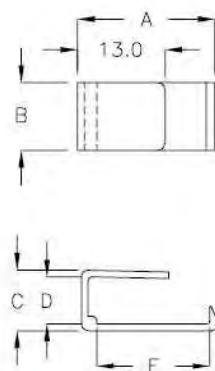


電晶體固定扣 TRANSISTOR CLAMP

8-88-2

- MATERIAL: PBT(UL)
- FLAME CLASS: 94V-0
- COLOR: NATURAL

PART NO	A	B	C	D	E	PACKAGE
TRQ-7F	21.9	10.0	9.0	7.0	18.2	1000

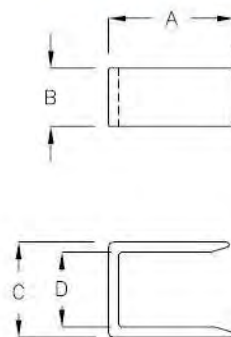


電晶體固定扣 TRANSISTOR CLAMP

8-88-3

- MATERIAL: PBT(UL)
- FLAME CLASS: 94V-0
- COLOR: NATURAL

PART NO	A	B	C	D	PACKAGE
TRQ-5JX	6.8	4.5	6.6	5.0	1000
TRQ-6MQ	6.8	4.5	7.9	6.3	
TRQ-7HL	6.8	4.5	8.6	7.0	
TRQ-7SK	8.2	4.5	8.6	7.0	

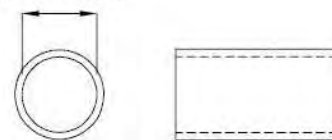


熱收縮套管 HEAT SHRINKING TUBE

8-88-4

- SIZE: $\phi 1.2 \sim \phi 50.8$
- COLOR: BLACK
- LENGTH IS ACCORDING TO CUSTOMER'S DEMAND

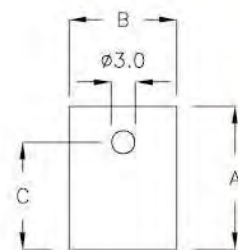
適用線徑
 $\phi 1.2 \sim \phi 50.8$





矽膠片 SILICONE RUBBER ———— | 8-89-1 |

- MATERIAL: SILICONE (UL)
- COLOR: GRAY
- FLAME CLASS: 94V-0
- THICKNESS: 0.3~0.8mm
- LENGTH IS ACCORDING TO CUSTOMER'S DEMAND

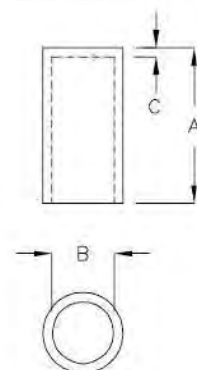


PART NO	A	B	C	PACKAGE
TO-3P3A	25.0	20.0	16.5	1000
TO-2203A	18.0	13.0	13.5	



矽膠套管 SILICONE RUBBER TUBE ———— | 8-89-2 |

- MATERIAL: SILICONE(UL)
- FLAME CLASS: 94V-0
- COLOR: GRAY

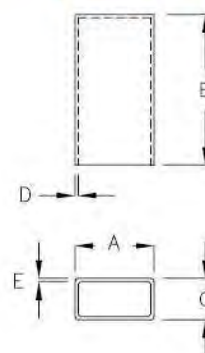


PART NO	A	B	C	PACKAGE
CST-1315	15.0	∅13.2	0.45	1000
CST-1925	25.0	∅18.7	0.45	500



矽膠套管 SILICONE RUBBER TUBE ———— | 8-89-3 |

- MATERIAL: SILICONE(UL)
- COLOR: GRAY
- FLAME CLASS: 94V-0
- ACCORDING TO CUSTOMER'S DEMAND

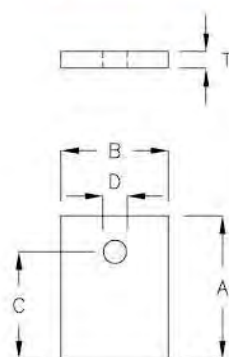


PART NO	A	B	C	D	E	PACKAGE
TO-220ST	11.4	21.5	5.8	0.45	0.45	1000
TO-220ST-B	11.4	16.0	5.8	0.45	0.45	
TO-3PST	17.5	28.5	5.9	0.45	0.45	
TO-4PST	23.5	22.0	5.0	0.4	0.4	



陶瓷片 CERAMICS ———— | 8-89-4 |

- MATERIAL: CERAMICS
- COLOR: NATURAL



PART NO	A	B	C	D	T	PACKAGE
TQA-01	19.2	13.8	14.6	∅3.7	2.0	1000
TQA-02	30.0	19.0	22.0	∅4.0	2.5	500
TQA-05	21.7	14.9	15.6	∅3.6	1.5	1000
TQA-07	14.2	10.3	9.4	∅3.8	3.0	



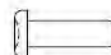
腳墊, 燙金腳墊, 墊座

PLASTIC RUBBER FOOT

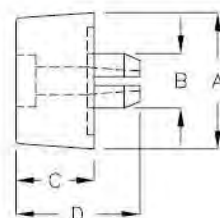


腳墊 PLASTIC FOOT

- MALE MATERIAL: PP
- FEMALE MATERIAL: EVA
- COLOR: BLACK
- INCLUDE PIN
- * 附 PIN



MALE



FEMALE

PART NO	A	B HOLE IN CHASSIS	C	D	CHASSIS THICKNESS	PACKAGE
GL-13	∅13.1	∅5.0	4.6	9.0	1.0~2.0	500
GL-16	∅15.8	∅5.0	4.5	8.8	1.0~2.0	
GL-18	∅19.9	∅8.0	18.0	23.5	0.8~1.0	
GL-18S	∅20.0	∅8.0	18.0	21.9	0.8~1.0	
GL-19S	∅19.4	∅8.0	4.0	7.0	1.0~2.0	
GL-19	∅19.5	∅8.0	5.0	10.4	1.0~2.5	
GL-19M	∅19.8	∅8.0	7.0	11.0	1.0~2.0	
GL-19H	∅20.3	∅8.0	10.2	15.7	1.0~2.5	
GL-20H	∅20.0	∅8.0	20.3	25.9	1.0~3.5	200
GL-24	∅24.0	∅8.0	5.0	10.4	1.0~2.5	500
GL-24L	∅24.0	∅8.0	5.0	10.8	1.0~2.7	
GL-24H	∅24.0	∅8.0	10.5	15.8	1.0~2.5	
GL-27C	∅27.0	∅10.0	7.0	12.0	0.8~1.2	200
GL-29	∅28.6	∅10.0	8.0	13.8	1.0~3.5	500
GL-30	∅29.5	∅10.0	15.0	23.3	0.8~2.5	200
GL-30PR	∅30.0	∅8.0	3.5	7.5	0.8~1.0	500
GL-32	∅31.5	∅10.0	7.8	13.6	1.0~3.5	
GL-32S	∅32.0	∅10.0	7.8	11.3	0.8~1.2	

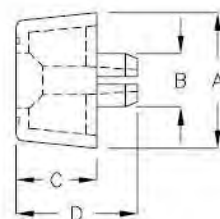


腳墊 PLASTIC FOOT

- MALE MATERIAL: PP
- FEMALE MATERIAL: EVA
- COLOR: BLACK
- INCLUDE PIN
- * 附 PIN



MALE



FEMALE

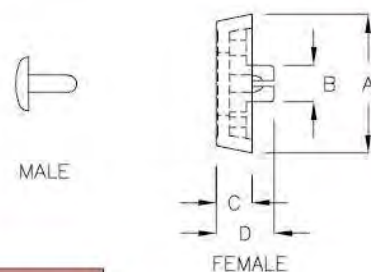
PART NO	A	B HOLE IN CHASSIS	C	D	CHASSIS THICKNESS	PACKAGE
GL-20K	∅26.7	∅7.8	16.0	21.0	0.8~1.4	200
GL-20L	∅20.0	∅8.0	12.0	18.0	0.8~1.8	
GL-20P	∅19.5	∅8.0	8.0	12.5	0.8~1.2	500
GL-27	∅27.0	∅8.0	13.0	18.0	0.8~1.8	200
GL-27F	∅26.7	∅7.8	5.0	10.0	0.8~1.2	
GL-27K	∅26.7	∅7.8	10.0	15.0	0.8~1.2	
GL-32D	∅33.0	∅8.4	16.0	21.7	0.8~1.6	



腳墊 PLASTIC FOOT

9-3-1

- MALE MATERIAL: NYLON 66(UL)
- FEMALE MATERIAL: TPR(UL)
- FLAME CLASS: 94V-0
- COLOR: BLACK,GRAY
- INCLUDE PIN
- * 附 PIN



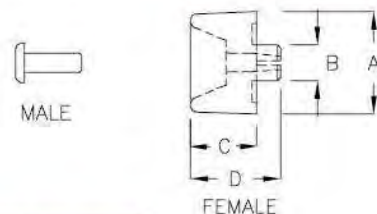
PART NO	CHASSIS THICKNESS	A	B HOLE IN CHASSIS	C	D	PACKAGE
GL-20M	0.8	∅20.0	∅5.3	5.2	8.4	500



腳墊 PLASTIC FOOT

9-3-2

- MALE MATERIAL: PP
- FEMALE MATERIAL: EVA
- COLOR: BLACK,GRAY
- INCLUDE PIN
- * 附 PIN



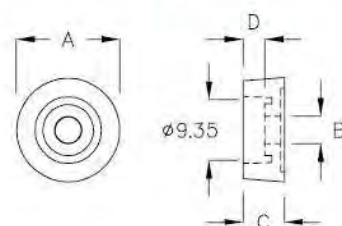
PART NO	CHASSIS THICKNESS	A	B HOLE IN CHASSIS	C	D	PACKAGE
GL-23D	0.8~1.6	∅23.0	∅8.2	15.0	20.5	200
GL-23F	0.8~1.6	∅23.0	∅8.0	23.0	28.5	



腳墊 PLASTIC FOOT

9-3-3

- MATERIAL: TPR(UL)
- FLAME CLASS: 94V-0
- COLOR: BLACK
- MUST BE FASTENED BY M3 SCREW



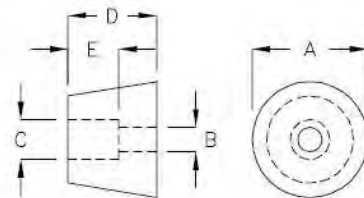
PART NO	A	B	C	D	PACKAGE
GL-03	∅15.0	∅4.2	6.0	3.2	500



腳墊 PLASTIC FOOT

9-4-1

- MATERIAL: TPE
- COLOR: BLACK
- MUST BE FASTENED BY M3 SCREW
- GL-7 CAN BE USED WITH SR-5 TO SNAP IN



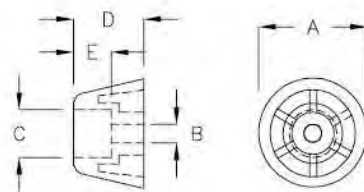
PART NO	A	B	C	D	E	PACKAGE
GL-2	∅13.8	∅3.2	∅5.9	10.0	6.0	1000
GL-2C	∅12.0	∅3.5	∅6.35	8.0	3.3	
GL-4	∅20.0	∅3.4	∅8.7	10.4	4.5	500
GL-4D	∅20.0	∅4.5	∅8.8	10.4	4.6	
GL-5	∅28.0	∅3.8	∅8.2	19.8	13.8	100
GL-6K	∅19.0	∅3.8	∅9.0	6.3	3.2	500
GL-6S	∅18.2	∅4.2	∅9.0	7.8	3.8	1000
GL-7	∅14.7	∅5.0	∅9.0	6.0	2.2	
GL-7S	∅14.7	∅5.0	∅9.0	5.0	2.2	



腳墊 PLASTIC FOOT

9-4-2

- MATERIAL: EVA
- COLOR: BLACK
- MUST BE FASTENED BY M3 SCREW



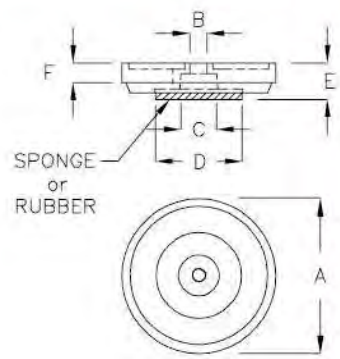
PART NO	A	B	C	D	E	PACKAGE
GL-4A	∅20.0	∅4.2	∅9.0	10.4	6.5	500
GL-4L	∅19.7	∅3.4	∅8.7	12.6	6.8	
GL-6	∅18.6	∅3.95	∅8.8	6.4	3.3	
GL-9	∅25.0	∅3.3	∅9.0	6.4	3.4	
GL-20	∅20.0	∅4.2	∅9.2	20.0	14.0	200



燙金腳墊 HOT STAMPING FOOT

9-5-1

- MATERIAL: ABS+SPONGE
- COLOR: BLACK(ABS), BLACK+GOLD, BLACK+SILVER
- MUST BE FASTENED BY M3 SCREW



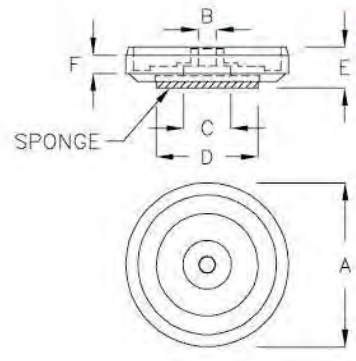
PART NO	A	B	C	D	E	F HOT STAMPING	COLOR	PACKAGE
GLA-30C	ø30.2	ø3.6	ø8.1	ø25.0	9.3	6.4	STAMPING GOLD	100
GLA-30F	ø30.0	ø4.3	ø11.5	ø25.0	6.0	4.0	STAMPING GOLD	
GLA-40F	ø40.0	ø4.3	ø11.5	ø25.0	8.0	4.5	STAMPING SILVER	
GLA-45F	ø44.8	ø4.0	ø10.3	ø25.0	10.9	5.8	ABS BLACK	50
GLA-50F	ø50.0	ø4.3	ø11.5	ø35.0	13.5	8.0		



燙金腳墊 HOT STAMPING FOOT

9-5-2

- MATERIAL: ABS+SPONGE
- COLOR: BLACK(ABS), BLACK+GOLD, BLACK+SILVER
- MUST BE FASTENED BY M3 SCREW



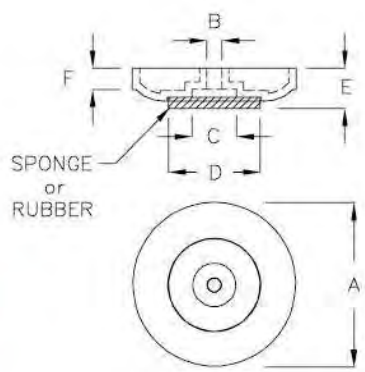
PART NO	A	B	C	D	E	F HOT STAMPING	PACKAGE
GLA-40H	ø40.0	ø4.3	ø11.5	ø25.0	10.0	4.5	100



燙金腳墊 HOT STAMPING FOOT

9-5-3

- MATERIAL: ABS+SPONGE
- COLOR: BLACK(ABS), BLACK+GOLD, BLACK+SILVER
- MUST BE FASTENED BY M3 SCREW



PART NO	A	B	C	D	E	F HOT STAMPING	COLOR	PACKAGE
GLA-45C	ø44.5	ø4.0	ø12.0	ø25.0	10.9	5.7	STAMPING GOLD STAMPING SILVER ABS BLACK	50

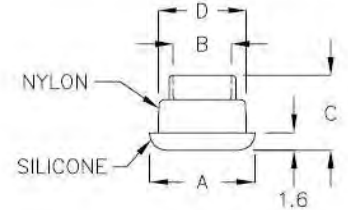
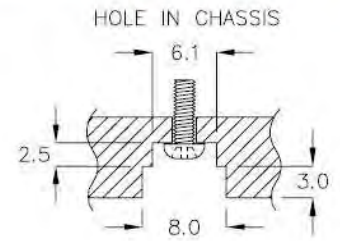


腳墊 RUBBER FOOT

9-6-1

- PLASTIC MATERIAL: NYLON 66(UL)
- FLAME CLASS: 94V-0
- SOFT MATERIAL: SILICONE
- COLOR: BLACK

PART NO	A	B	C	D	PACKAGE
WHT-6C	ø9.6	ø5.3	6.8	ø8.0	2000

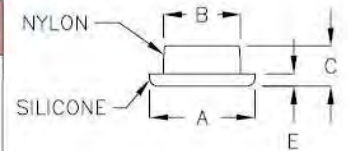
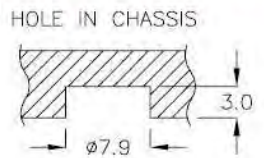


腳墊 RUBBER FOOT

9-6-2

- PLASTIC MATERIAL: NYLON 66, NYLON 46(UL)
- FLAME CLASS: 94HB, 94V-0
- SOFT MATERIAL: SILICONE
- COLOR: BLACK, GRAY

PART NO	PLASTIC MATERIAL	A	B	C	E	PACKAGE
WHT-6F	N66/BLACK	ø11.0	ø8.0	4.15	1.25	2000
	N66/GRAY	ø9.6	ø7.9	4.55	1.75	
	N46/BLACK	ø9.6	ø8.0	4.55	1.65	

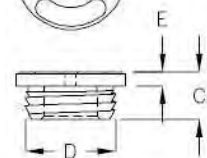


腳墊 RUBBER FOOT

9-6-3

- MATERIAL: TPE
- COLOR: BLACK

PART NO	A	C	D	E	PACKAGE
GLE-01	ø20.0	8.5	ø15.7	2.5	500
GLE-02	ø22.8	9.1	ø20.0	2.4	
GLE-03	ø20.0	7.3	ø15.7	2.5	

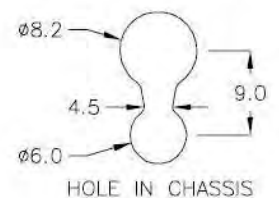
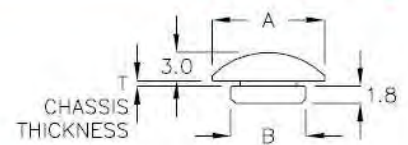


墊座 SILICONE RUBBER FOOT

9-6-4

- MATERIAL: SILICONE
- COLOR: BLACK

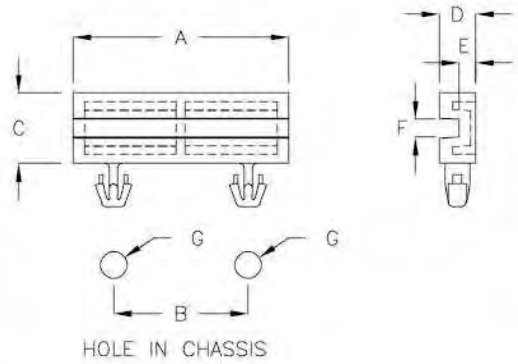
PART NO	A	B	T	PACKAGE
GMC-3CD	ø12.0	ø8.0	0.6	2000



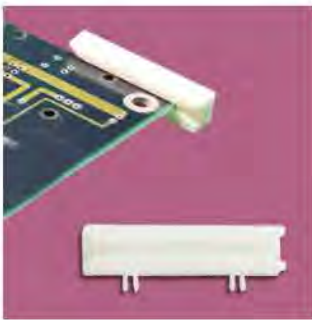


印刷電路板導槽 PCB GUIDE RAIL 11-3-1

- MATERIAL: NYLON 66(UL)
- FLAME CLASS: 94V-2
- COLOR: NATURAL
- NO EXTRA SCREW NEEDED

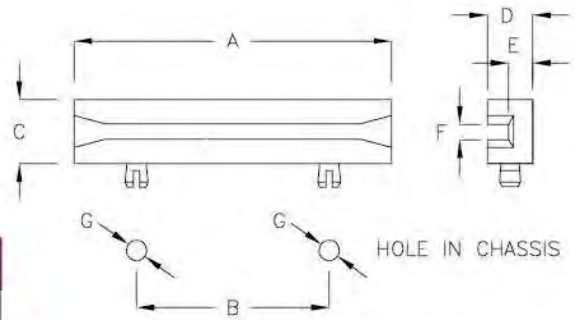


PART NO	A	B	C	D	E	F	G	CHASSIS THICKNESS	PACKAGE
CG-24RM	24.0	15.0	7.8	4.0	1.8	2.0	∅3.0	2.0	500



印刷電路板導槽 PCB GUIDE RAIL 11-3-2

- MATERIAL: NYLON 66(UL)
- FLAME CLASS: 94V-2
- COLOR: NATURAL
- NO EXTRA SCREW NEEDED

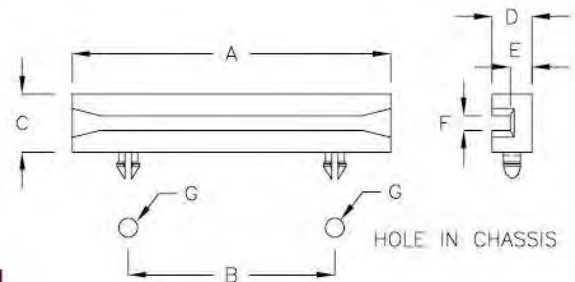


PART NO	A	B	C	D	E	F	G	MAXIMUM THICKNESS	PACKAGE
CG-4A	38.3	20.2	9.3	6.5	3.5	2.3	∅3.0	1.2	500



印刷電路板導槽 PCB GUIDE RAIL 11-3-3

- MATERIAL: NYLON 66(UL)
- FLAME CLASS: 94V-2
- COLOR: NATURAL
- NO EXTRA SCREW NEEDED

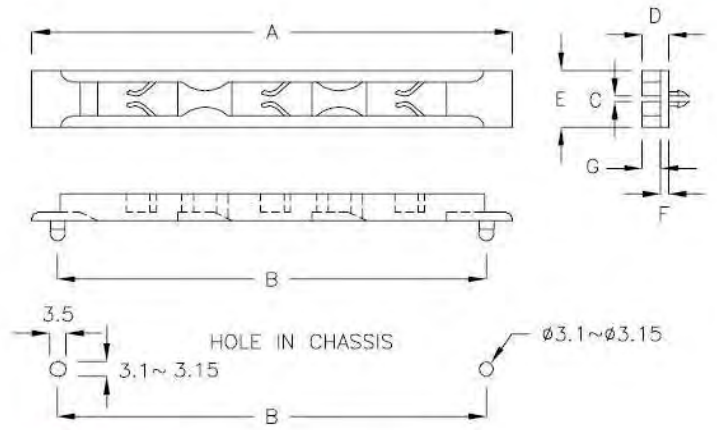


PART NO	A	B	C	D	E	F	G	MAXIMUM THICKNESS	PACKAGE
CG-04E	38.3	20.0	9.3	6.5	3.5	1.8	∅3.5	1.6	500
CG-04C	38.3	20.2	9.3	6.5	3.5	2.3	∅3.2	1.6	
CG-04H	50.0	40.0	7.0	6.0	3.0	2.0	∅3.2	1.6	200
CG-08C	80.5	60.0	9.4	6.4	3.4	2.3	∅3.2	1.6	100
CG-08D	80.5	60.0	8.0	6.0	3.0	2.0	∅3.2	1.6	
CG-08H	80.5	60.0	8.0	6.0	3.0	2.0	∅3.2	2.6	



印刷電路板導槽 PCB GUIDE RAIL 11-4-1

- MATERIAL: NYLON 66(UL)
- FLAME CLASS: 94V-2
- COLOR: BLACK
- NO EXTRA SCREW NEEDED

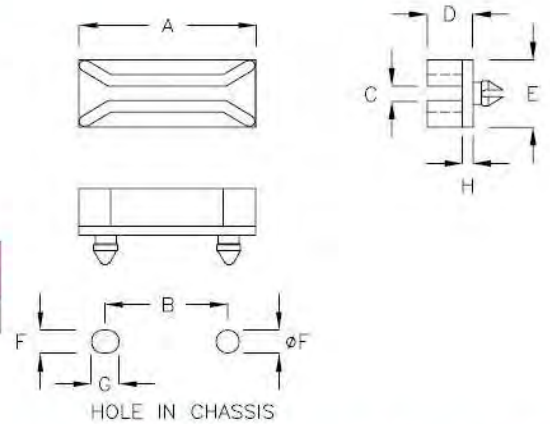


PART NO	A	B	C	D	E	F	G	MAXIMUM THICKNESS	PACKAGE
CG-10B	102.8	91.9	1.1	5.6	11.9	1.7	3.9	2.3	100



印刷電路板導槽 PCB GUIDE RAIL 11-4-2

- MATERIAL: NYLON 66(UL)
- FLAME CLASS: 94V-2
- COLOR: NATURAL
- NO EXTRA SCREW NEEDED

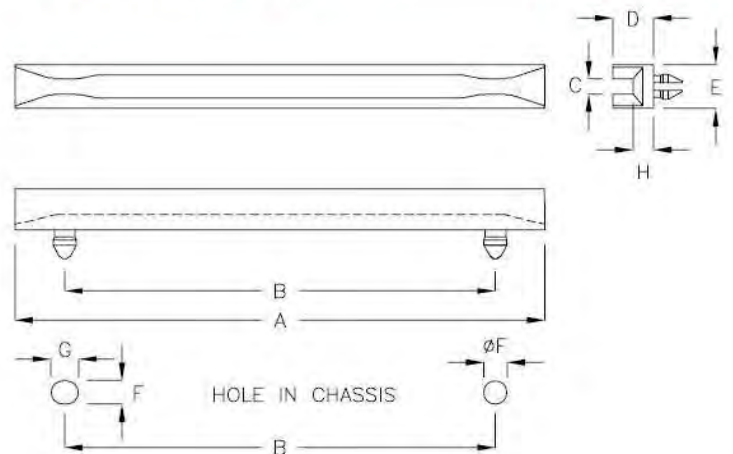


PART NO	A	B	C	D	E	F	G	H	MAXIMUM THICKNESS	PACKAGE
CG-2A	26.0	18.0	1.9	6.8	9.7	3.4	4.0	1.3	1.2	500



印刷電路板導槽 PCB GUIDE RAIL 11-4-3

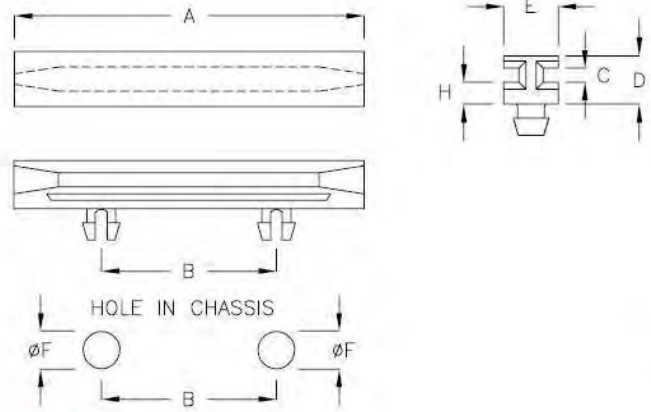
- MATERIAL: NYLON 66(UL)
- FLAME CLASS: 94V-2
- COLOR: BLACK
- NO EXTRA SCREW NEEDED



PART NO	A	B	C	D	E	F	G	H	MAXIMUM THICKNESS	PACKAGE
CG-06A	76.8	62.5	2.2	5.9	6.3	3.4	4.0	3.0	1.0	200



印刷電路板導槽 PCB GUIDE RAIL 11-5-1

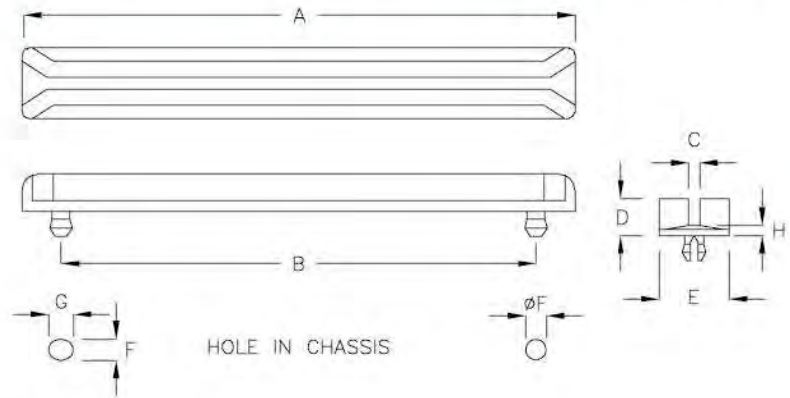


- MATERIAL: NYLON 66(UL)
- FLAME CLASS: 94V-2
- COLOR: NATURAL
- NO EXTRA SCREW NEEDED

PART NO	A	B	C	D	E	F	H	MAXIMUM THICKNESS	PACKAGE
CG-5D	50.8	25.4	2.0	7.0	7.9	4.4	3.2	1.6	200



印刷電路板導槽 PCB GUIDE RAIL 11-5-2

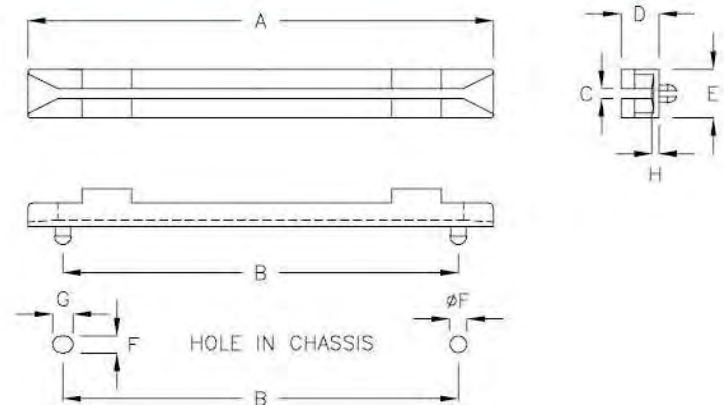


- MATERIAL: NYLON 66(UL)
- FLAME CLASS: 94V-2
- COLOR: NATURAL
- NO EXTRA SCREW NEEDED

PART NO	A	B	C	D	E	F	G	H	MAXIMUM THICKNESS	PACKAGE
CG-9B	89.2	76.85	1.9	6.0	11.3	3.4	4.0	1.6	1.2	100

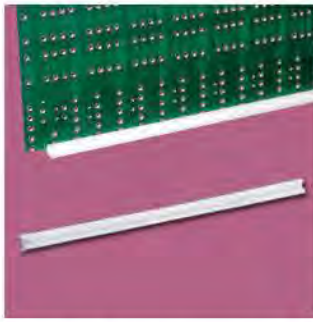


印刷電路板導槽 PCB GUIDE RAIL 11-5-3



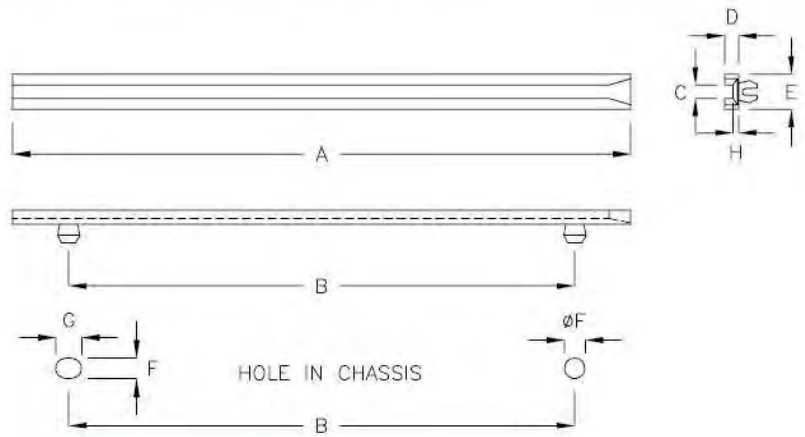
- MATERIAL: NYLON 66(UL)
- FLAME CLASS: 94V-2
- COLOR: NATURAL
- NO EXTRA SCREW NEEDED

PART NO	A	B	C	D	E	F	G	H	MAXIMUM THICKNESS	PACKAGE
CG-9AW	89.7	76.7	1.9	11.6	9.7	3.4	4.0	1.3	1.2	100
CG-9D	89.7	76.8	1.9	7.1	9.5	3.4	4.0	1.4	1.2	



印刷電路板導槽 PCB GUIDE RAIL 11-6-1

- MATERIAL: NYLON 66(UL)
- FLAME CLASS: 94V-2
- COLOR: NATURAL
- NO EXTRA SCREW NEEDED

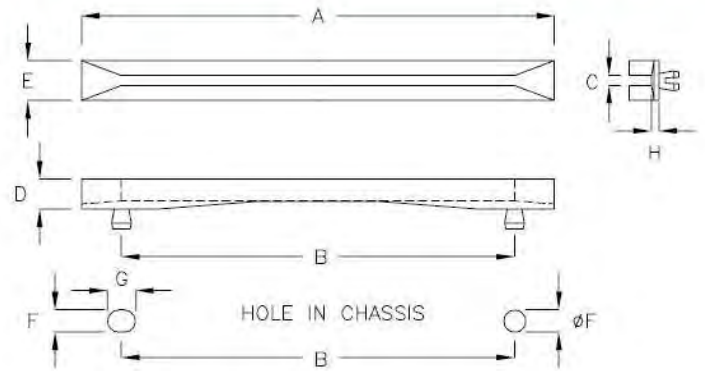


PART NO	A	B	C	D	E	F	G	H	MAXIMUM THICKNESS	PACKAGE
CG-14C	140.2	114.8	2.0	3.2	8.0	4.8	5.9	1.3	1.2	100
CG-14D	140.2	114.8	3.0	3.2	8.0	4.8	5.9	1.3	1.7	

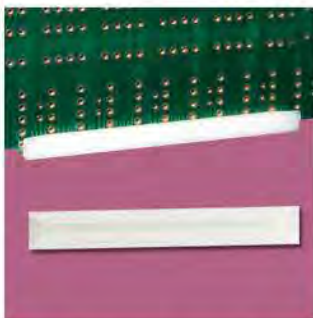


印刷電路板導槽 PCB GUIDE RAIL 11-6-2

- MATERIAL: NYLON 66(UL)
- FLAME CLASS: 94V-2
- COLOR: NATURAL
- NO EXTRA SCREW NEEDED

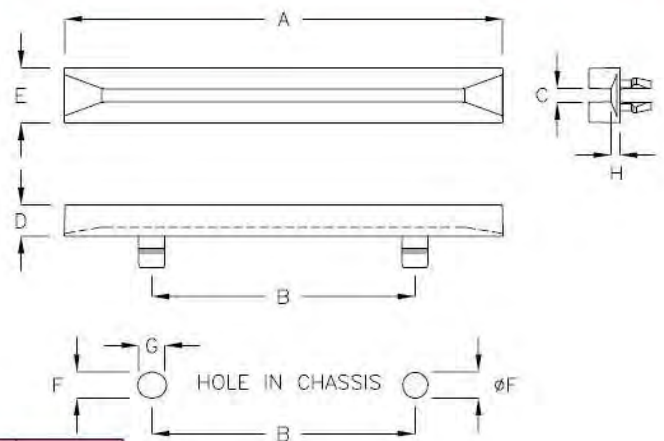


PART NO	A	B	C	D	E	F	G	H	MAXIMUM THICKNESS	PACKAGE
CG-7B	76.2	63.5	1.9	4.8	6.4	3.2	4.1	0.9	1.3	100



印刷電路板導槽 PCB GUIDE RAIL 11-6-3

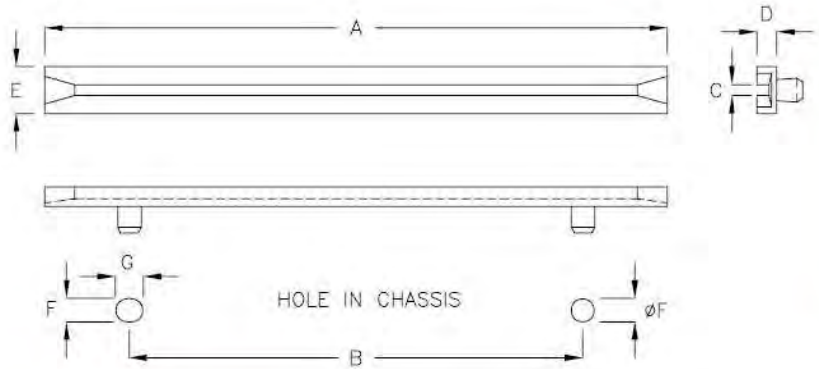
- MATERIAL: NYLON 66(UL)
- FLAME CLASS: 94V-2
- COLOR: NATURAL
- NO EXTRA SCREW NEEDED



PART NO	A	B	C	D	E	F	G	H	MAXIMUM THICKNESS	PACKAGE
CG-06H	63.5	38.1	1.9	4.5	7.9	4.6	5.0	1.3	1.6	200
CG-6J	63.5	38.1	2.3	2.8	4.6	3.4	4.0	1.0	1.0	
CG-5QT	63.5	38.1	2.3	6.4	6.4	4.5	5.1	1.3	1.0	



印刷電路板導槽 PCB GUIDE RAIL 11-7-1

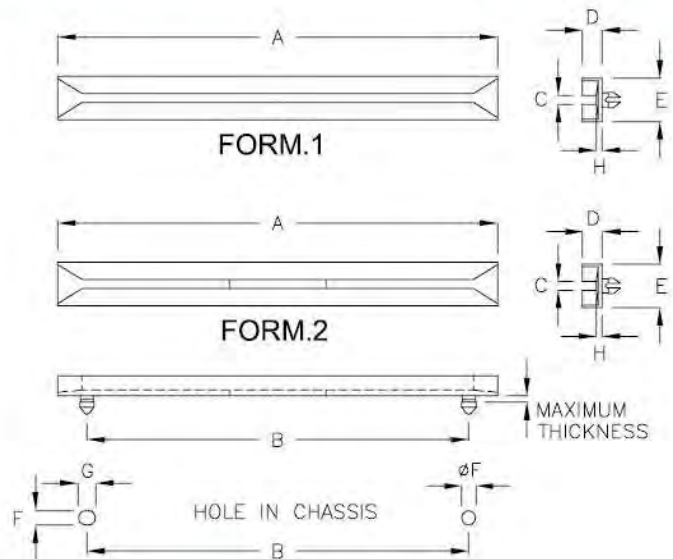


- MATERIAL: NYLON 66(UL)
- FLAME CLASS: 94V-2
- COLOR: NATURAL
- NO EXTRA SCREW NEEDED

PART NO	A	B	C	D	E	F	G	MAXIMUM THICKNESS	PACKAGE
CG-10N	101.6	88.9	1.9	4.4	6.4	3.2	4.0	1.1	100
CG-16N	164.1	152.4	2.0	4.4	6.5	3.2	3.9	1.1	



印刷電路板導槽 PCB GUIDE RAIL 11-7-2



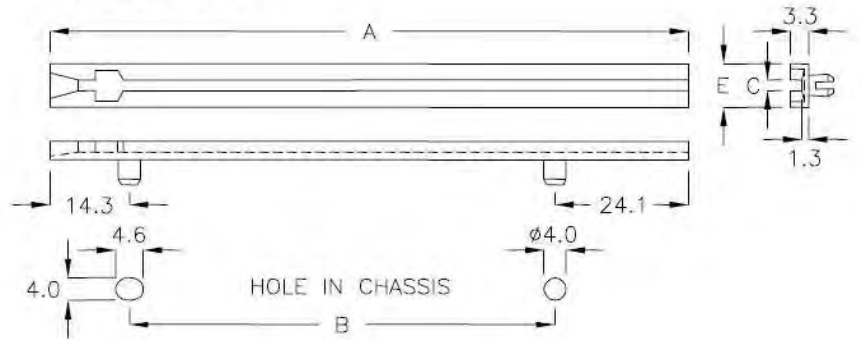
- MATERIAL: NYLON 66(UL)
- FLAME CLASS: 94V-2
- COLOR: NATURAL
- NO EXTRA SCREW NEEDED

PART NO	A	B	C	D	E	F	G	H	MAXIMUM THICKNESS	FORM	PACKAGE
CG-3A	38.0	25.4	1.9	4.6	9.6	3.4	4.0	1.5	1.2	1	500
CG-5A	50.8	38.0	2.3	4.6	9.6	3.4	4.0	1.5	1.1	1	200
CG-7A	76.6	63.5	2.2	4.6	10.0	3.4	4.0	1.4	1.2	1	100
CG-7C	76.6	63.5	2.1	4.1	10.0	3.4	4.0	1.1	1.2	1	
CG-9A	89.7	76.7	1.9	4.5	9.7	3.4	4.0	1.5	1.2	2	
CG-9F	89.2	76.7	2.3	4.4	6.4	3.4	4.0	1.1	1.2	1	
CG-10A	102.1	89.5	2.2	4.6	6.3	3.4	4.0	1.1	1.2	1	100
CG-10M	100.0	70.0	2.0	4.3	7.5	4.8	6.0	2.3	1.1	1	
CG-10P	100.0	70.0	2.0	4.3	7.5	4.8	6.4	1.5	1.2	1	
CG-12D	114.3	88.9	1.9	6.4	6.4	4.8	5.5	1.3	1.2	1	
CG-13A	127.0	101.6	2.3	4.6	6.4	3.4	4.0	1.1	1.5	1	
CG-13C	110.0	101.6	2.3	4.6	6.4	3.4	4.0	1.1	1.2	1	
CG-14A	136.0	114.5	2.2	4.6	6.3	3.4	4.0	1.1	1.5	1	
CG-15C	153.8	141.6	2.1	4.8	6.5	3.4	4.0	1.4	1.2	1	
CG-18A	181.1	161.3	2.0	4.6	6.5	3.4	4.6	1.2	1.2	1	
CG-19A	191.1	177.0	2.0	5.5	6.4	3.4	4.0	1.8	1.2	1	
CG-21A	217.8	205.0	2.0	4.6	6.6	3.4	4.0	1.2	1.0	1	
CG-21B	218.7	205.0	2.2	7.7	6.6	3.4	4.0	1.3	1.2	1	

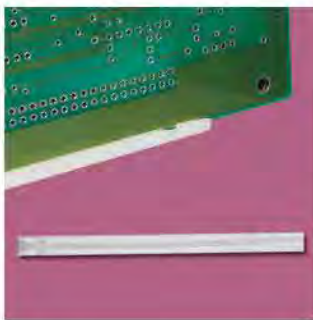


印刷電路板導槽 PCB GUIDE RAIL ———— 11-8-1 |

- MATERIAL: NYLON 66(UL)
- FLAME CLASS: 94V-2
- COLOR: NATURAL
- NO EXTRA SCREW NEEDED

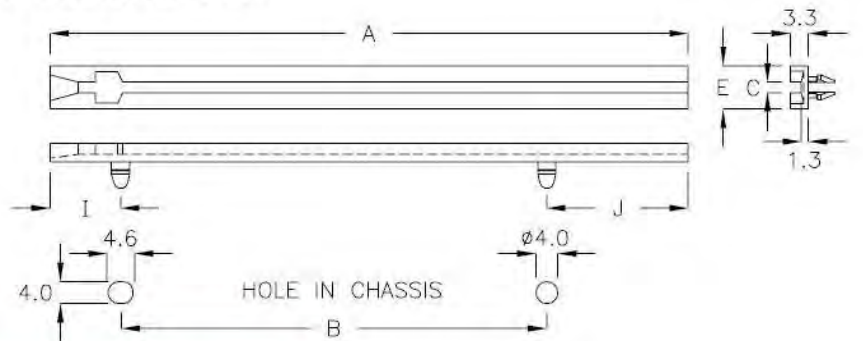


PART NO	A	B	C	E	MAXIMUM THICKNESS	PACKAGE
CG-11A	115.5	77.1	2.0	7.9	1.2	100



印刷電路板導槽 PCB GUIDE RAIL ———— 11-8-2 |

- MATERIAL: NYLON 66(UL)
- FLAME CLASS: 94V-2
- COLOR: NATURAL
- NO EXTRA SCREW NEEDED

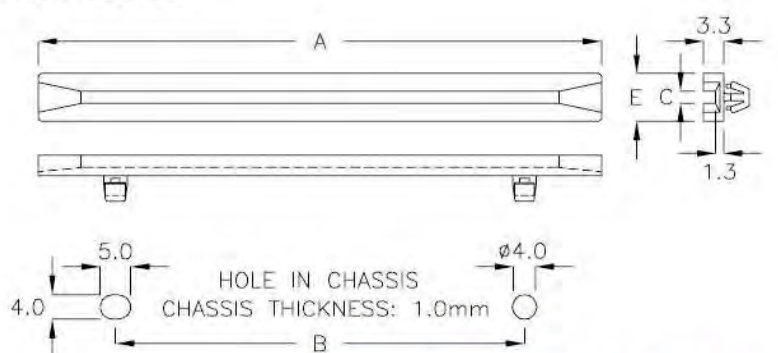


PART NO	A	B	C	E	I	J	MAXIMUM THICKNESS	PACKAGE
CG-11F	115.5	77.1	1.9	7.9	12.8	25.6	1.4	100
CG-92TK	92.0	67.4	1.9	7.9	12.7	11.9	1.4	



印刷電路板導槽 PCB GUIDE RAIL ———— 11-8-3 |

- MATERIAL: NYLON 66(UL)
- FLAME CLASS: 94V-2
- COLOR: NATURAL
- NO EXTRA SCREW NEEDED



PART NO	A	B	C	E	PACKAGE
CG-92FM	92.8	67.4	1.9	7.9	100

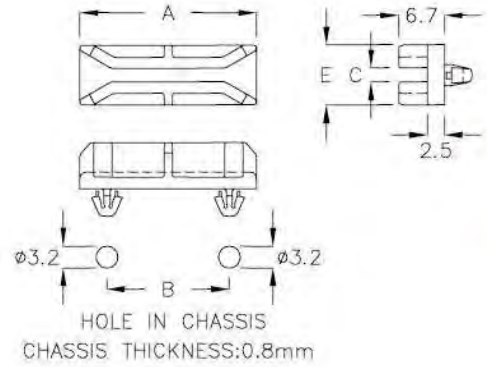


印刷電路板導槽 PCB GUIDE RAIL ———— | 11-9-1 |

- MATERIAL: NYLON 66(UL)
- FLAME CLASS: 94V-0
- COLOR: NATURAL
- NO EXTRA SCREW NEEDED

NEW

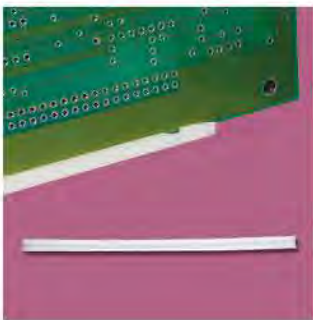
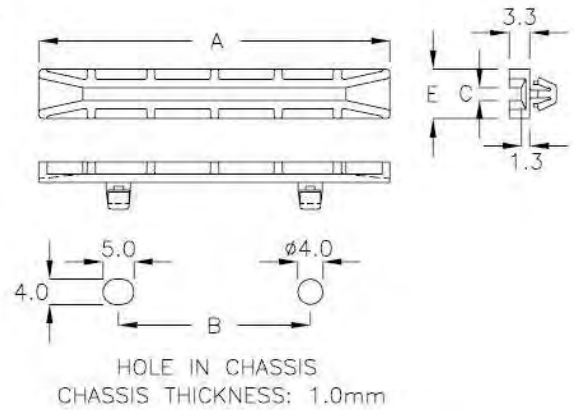
PART NO	A	B	C	E	PACKAGE
★ CG-2RQ	25.8	17.9	2.0	8.7	500



印刷電路板導槽 PCB GUIDE RAIL ———— | 11-9-2 |

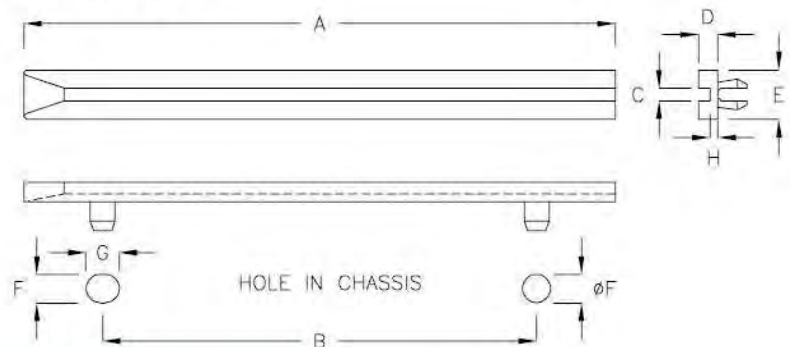
- MATERIAL: NYLON 66(UL)
- FLAME CLASS: 94V-2
- COLOR: NATURAL
- NO EXTRA SCREW NEEDED

PART NO	A	B	C	E	PACKAGE
CG-56FY	56.0	30.6	2.0	7.8	200



印刷電路板導槽 PCB GUIDE RAIL ———— | 11-9-3 |

- MATERIAL: NYLON 66(UL)
- FLAME CLASS: 94V-2
- COLOR: NATURAL
- NO EXTRA SCREW NEEDED

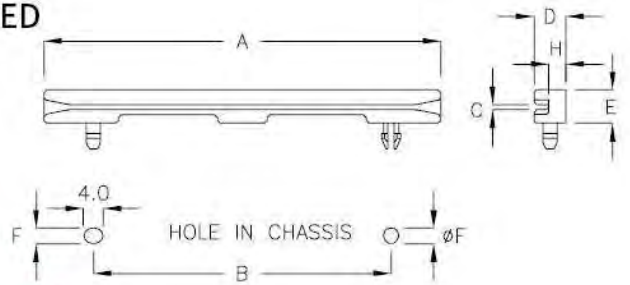


PART NO	A	B	C	D	E	F	G	H	MAXIMUM THICKNESS	PACKAGE
CG-20A	203.2	177.8	2.0	3.2	7.9	4.6	5.4	1.3	1.7	100



印刷電路板導槽 PCB GUIDE RAIL 11-10-1

- MATERIAL: NYLON 66(UL)
- FLAME CLASS: 94V-2
- COLOR: BLACK
- NO EXTRA SCREW NEEDED

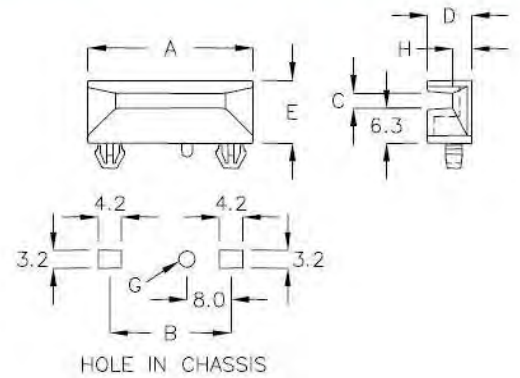


PART NO	A	B	C	D	E	F	H	MAXIMUM THICKNESS	PACKAGE
CG-08K	80.0	60.0	1.1	6.5	6.7	3.2	3.5	2.0	100



印刷電路板導槽 PCB GUIDE RAIL 11-10-2

- MATERIAL: NYLON 66(UL)
- FLAME CLASS: 94V-2
- COLOR: NATURAL
- NO EXTRA SCREW NEEDED

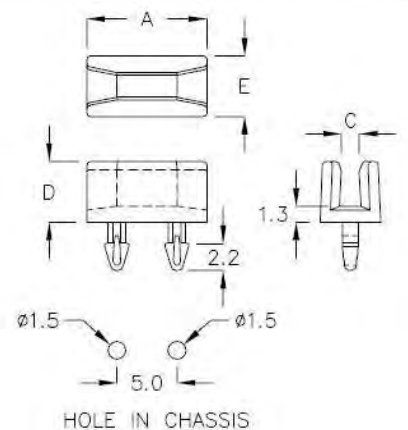


PART NO	A	B	C	D	E	G	H	CHASSIS THICKNESS	PACKAGE
CG-3WX	30.0	22.0	2.7	8.0	11.3	∅3.0	3.4	0.8	500



印刷電路板導槽 PCB GUIDE RAIL 11-10-3

- MATERIAL: NYLON 66(UL)
- FLAME CLASS: 94V-2
- COLOR: NATURAL
- NO EXTRA SCREW NEEDED

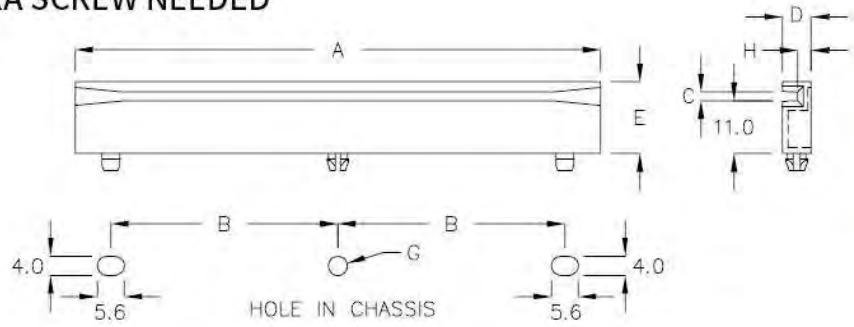


PART NO	A	C	D	E	CHASSIS THICKNESS	PACKAGE
CGD-1KF	10.0	1.7	5.0	5.0	1.6	500



印刷電路板導槽 PCB GUIDE RAIL ———— | 11-11-1 |

- MATERIAL: NYLON 66(UL)
- FLAME CLASS: 94V-2
- COLOR: BLACK
- NO EXTRA SCREW NEEDED

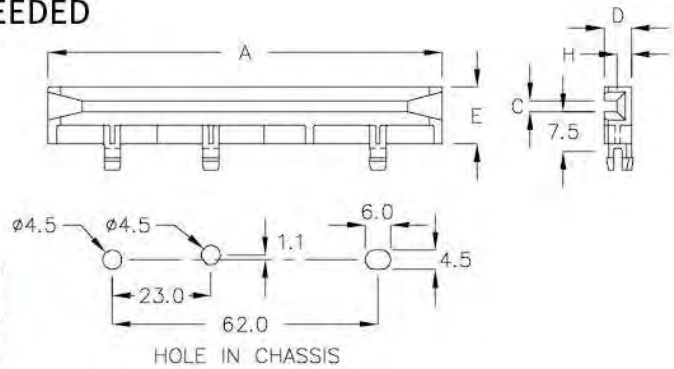


PART NO	A	B	C	D	E	G	H	CHASSIS THICKNESS	PACKAGE
CG-11K	110.0	47.5	1.8	6.0	14.9	∅4.0	2.8	1.2	100



印刷電路板導槽 PCB GUIDE RAIL ———— | 11-11-2 |

- MATERIAL: NYLON 66(UL)
- FLAME CLASS: 94V-0
- COLOR: NATURAL
- NO EXTRA SCREW NEEDED

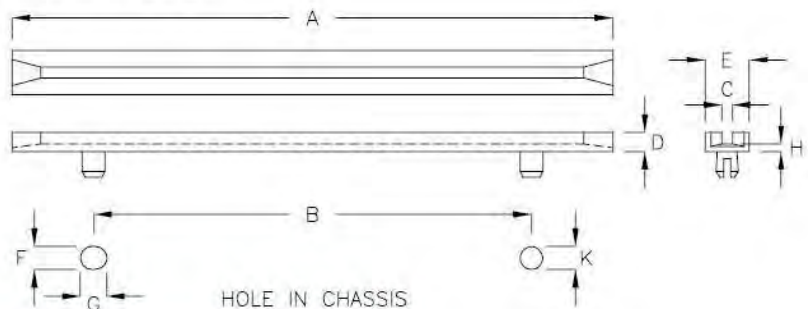


PART NO	A	C	D	E	H	MAXIMUM THICKNESS	PACKAGE
CGU-92F	92.0	2.5	6.4	13.2	3.4	3.0	100



印刷電路板導槽 PCB GUIDE RAIL ———— | 11-11-3 |

- MATERIAL: NYLON 66(UL)
- FLAME CLASS: 94V-2
- COLOR: NATURAL
- NO EXTRA SCREW NEEDED

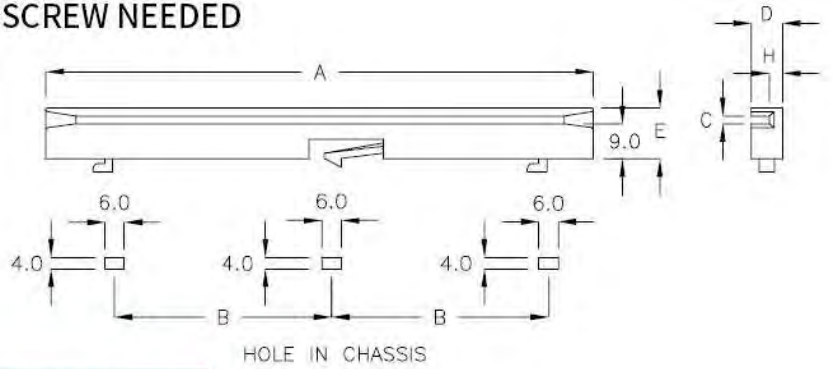


PART NO	A	B	C	D	E	F	G	H	K	CHASSIS THICKNESS	PACKAGE
CG-45RK	45.0	23.0	1.9	3.3	7.9	∅4.5	5.1	1.3	∅4.6	1.4~1.6	200
CG-5C	63.5	38.1	2.3	6.4	6.4	∅4.5	5.1	1.3	∅4.5	1.2~1.6	
CG-6F	63.5	38.1	1.9	4.5	7.9	∅4.6	5.0	1.3	∅4.6	1.2~1.6	
CG-08L	88.9	63.5	1.9	4.5	7.9	∅4.6	5.0	1.3	∅4.6	1.4~1.6	100
CG-88D	88.9	63.5	1.9	3.3	7.9	∅4.5	5.1	1.3	∅4.6	1.4~1.6	
CG-9AL	89.1	77.4	2.2	7.1	10.0	∅3.4	4.0	1.6	∅3.4	1.6	



印刷電路板導槽 PCB GUIDE RAIL ———— 11-12-1

- MATERIAL: NYLON 66(UL)
- FLAME CLASS: 94V-2
- COLOR: BLACK
- NO EXTRA SCREW NEEDED

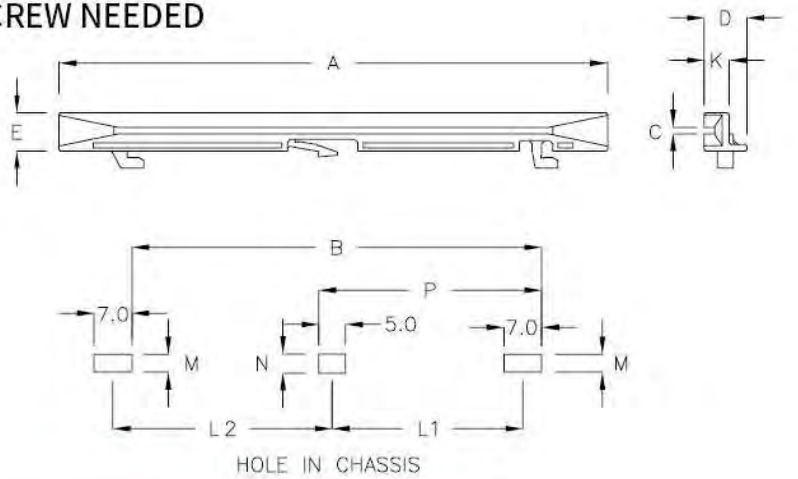


PART NO	A	B	C	D	E	H	MAXIMUM THICKNESS	PACKAGE
CG-16C	190.0	80.0	2.0	6.4	13.1	3.2	1.0	100



印刷電路板導槽 PCB GUIDE RAIL ———— 11-12-2

- MATERIAL: NYLON 66(UL)
- FLAME CLASS: 94V-2
- COLOR: NATURAL
- NO EXTRA SCREW NEEDED

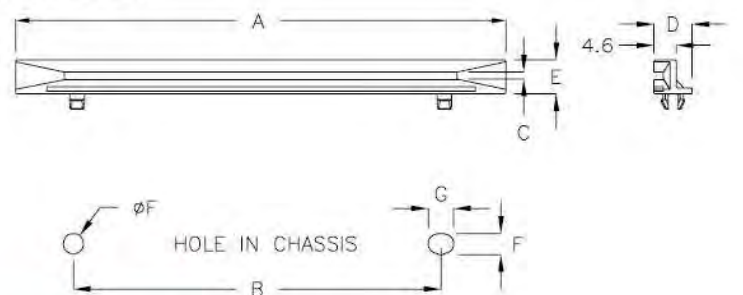


PART NO	A	B	C	D	E	K	M	N	P	L1	L2	MAXIMUM THICKNESS	PACKAGE
CG-8M	81.0	65.4	2.0	8.0	10.65	6.5	5.65	5.65	33.0	27.0	38.4	1.0	100
CG-10Q	101.6	75.9	1.2	7.9	7.0	4.6	3.3	3.6	41.3	35.3	40.6	1.0	



印刷電路板導槽 PCB GUIDE RAIL ———— 11-12-3

- MATERIAL: NYLON 66(UL)
- FLAME CLASS: 94V-2
- COLOR: NATURAL
- NO EXTRA SCREW NEEDED



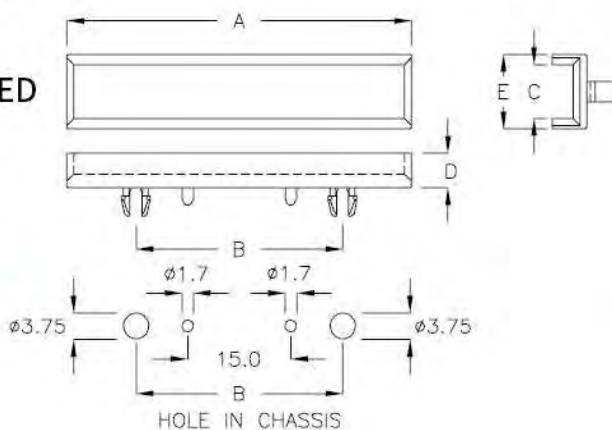
PART NO	A	B	C	D	E	F	G	MAXIMUM THICKNESS	PACKAGE
CG-10K	101.6	76.2	1.2	7.9	7.0	4.4	5.4	1.0	100



印刷電路板導槽 PCB GUIDE RAIL ———— | 11-13-1 |

- MATERIAL: NYLON 66(UL)
- FLAME CLASS: 94V-2
- COLOR: NATURAL
- NO EXTRA SCREW NEEDED

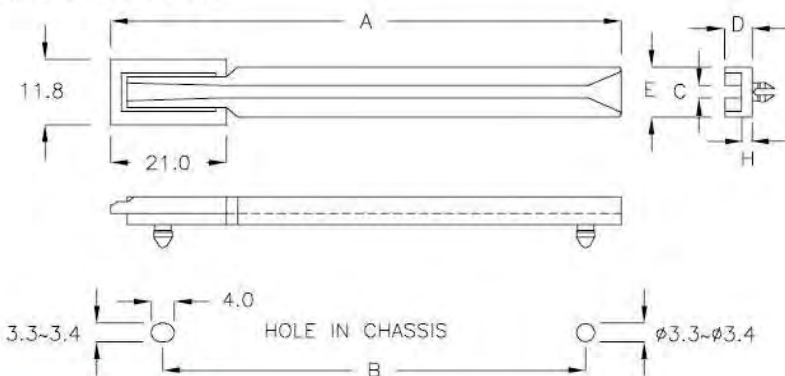
PART NO	A	B	C	D	E	MAXIMUM THICKNESS	PACKAGE
CG-5K	50.0	30.0	7.75	5.0	10.75	1.0	200



印刷電路板導槽 PCB GUIDE RAIL ———— | 11-13-2 |

- MATERIAL: PC(UL)
- FLAME CLASS: 94V-2
- COLOR: BLACK
- NO EXTRA SCREW NEEDED

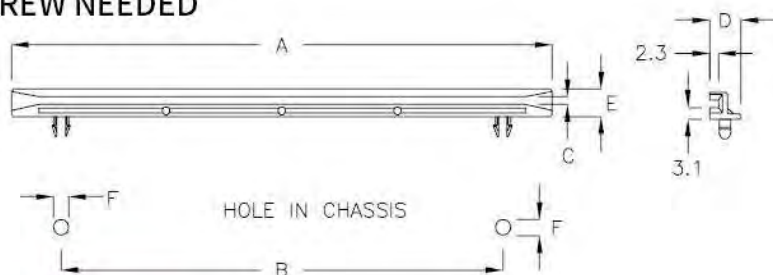
PART NO	A	B	C	D	E	H	MAXIMUM THICKNESS	PACKAGE
CG-09H	91.0	76.7	2.2	5.0	9.0	2.0	1.2	100
CG-09J	99.5	76.7	2.2	5.0	9.0	2.0	1.2	
CG-09C	72.6	50.0	1.9	5.0	9.0	2.0	1.0	



印刷電路板導槽 PCB GUIDE RAIL ———— | 11-13-3 |

- MATERIAL: NYLON 66(UL)
- FLAME CLASS: 94V-2
- COLOR: BLACK
- NO EXTRA SCREW NEEDED

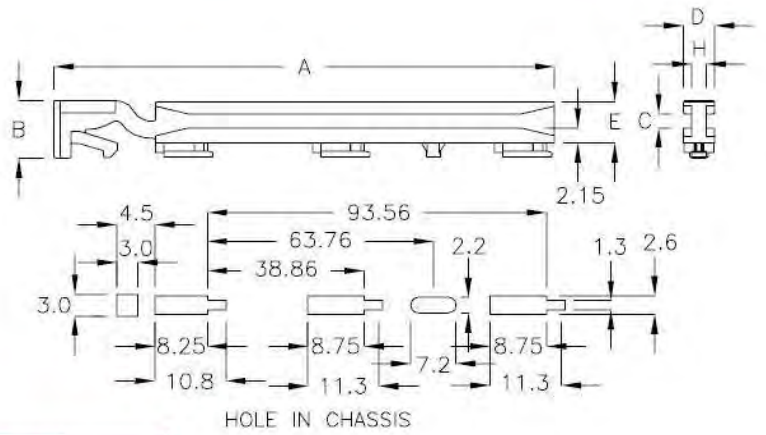
PART NO	A	B	C	D	E	F	MAXIMUM THICKNESS	PACKAGE
CG-14H	140.0	114.5	1.9	8.0	7.0	φ4.4	1.5	100





印刷電路板導槽 PCB GUIDE RAIL ———— 11-14-1

- MATERIAL: NYLON 66(UL)
- FLAME CLASS: 94V-0
- COLOR: BLACK
- NO EXTRA SCREW NEEDED

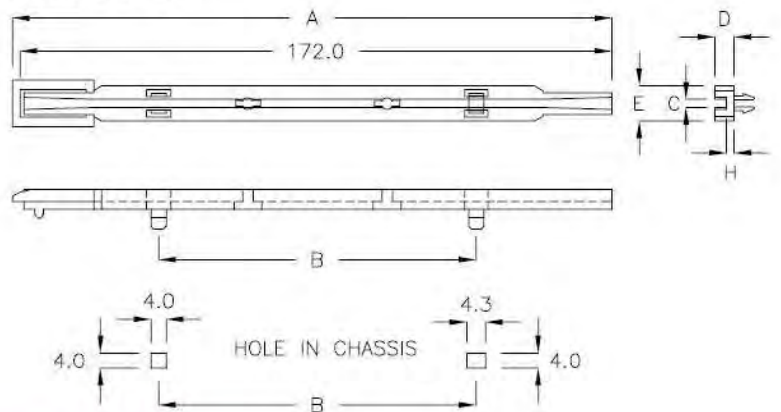


PART NO	A	B	C	D	E	H	MAXIMUM THICKNESS	PACKAGE
CGL-116JS	116.9	8.0	2.0	4.5	5.9	2.1	0.8	100



印刷電路板導槽 PCB GUIDE RAIL ———— 11-14-2

- MATERIAL: PC(UL)
- FLAME CLASS: 94V-2
- COLOR: BLACK
- NO EXTRA SCREW NEEDED

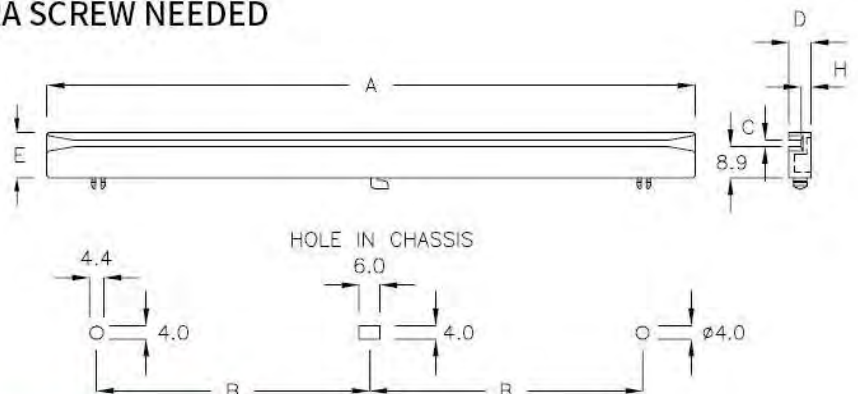


PART NO	A	B	C	D	E	H	MAXIMUM THICKNESS	PACKAGE
CG-17A	175.0	102.0	2.2	5.0	9.0	2.0	1.6	100



印刷電路板導槽 PCB GUIDE RAIL ———— 11-14-3

- MATERIAL: NYLON 66(UL)
- FLAME CLASS: 94V-2
- COLOR: BLACK
- NO EXTRA SCREW NEEDED



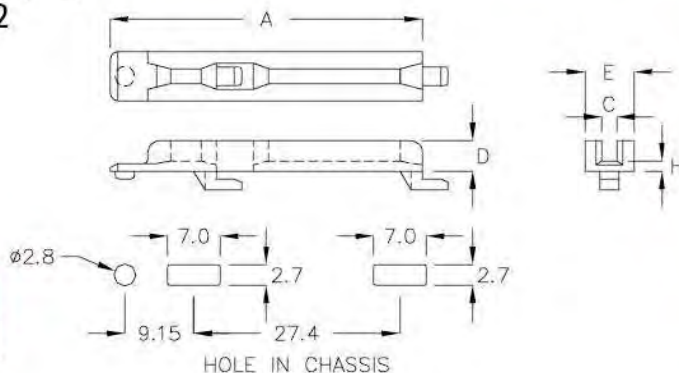
PART NO	A	B	C	D	E	H	MAXIMUM THICKNESS	PACKAGE
CG-19C	190.0	80.0	2.0	6.4	13.1	3.1	1.1	100



印刷電路板導槽 PCB GUIDE RAIL ———— | 11-15-1 |

- MATERIAL: NYLON 66(UL)
- FLAME CLASS: 94V-2
- COLOR: BLACK

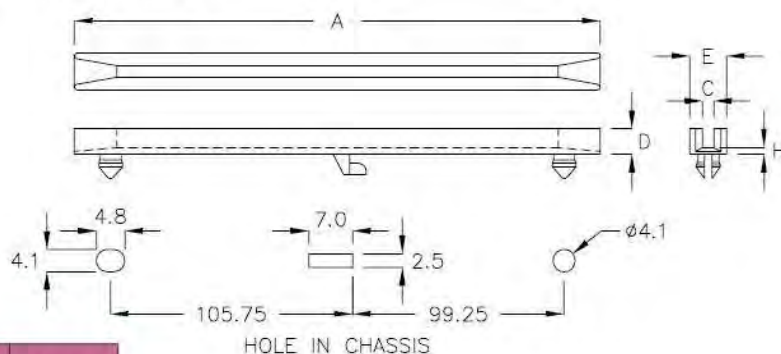
PART NO	A	C	D	E	H	CHASSIS THICKNESS	PACKAGE
CG-04FN	41.5	2.0	4.0	6.5	1.3	0.8	200



印刷電路板導槽 PCB GUIDE RAIL ———— | 11-15-2 |

- MATERIAL: NYLON 66(UL)
- FLAME CLASS: 94V-2
- COLOR: BLACK
- NO EXTRA SCREW NEEDED

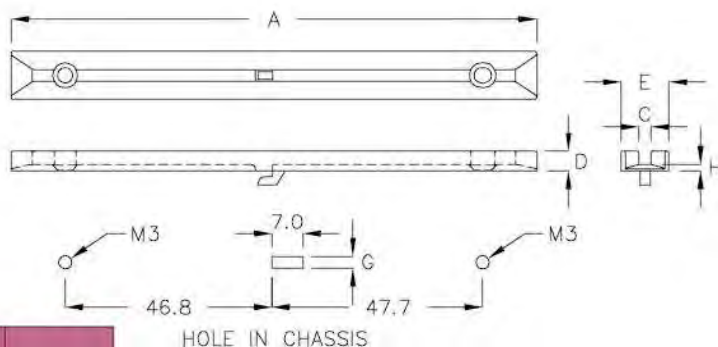
PART NO	A	C	D	E	H	MAXIMUM THICKNESS	PACKAGE
CG-21C	218.0	1.85	4.7	6.6	1.3	1.5	100



印刷電路板導槽 PCB GUIDE RAIL ———— | 11-15-3 |

- MATERIAL: NYLON 66(UL)
- FLAME CLASS: 94V-2
- COLOR: NATURAL

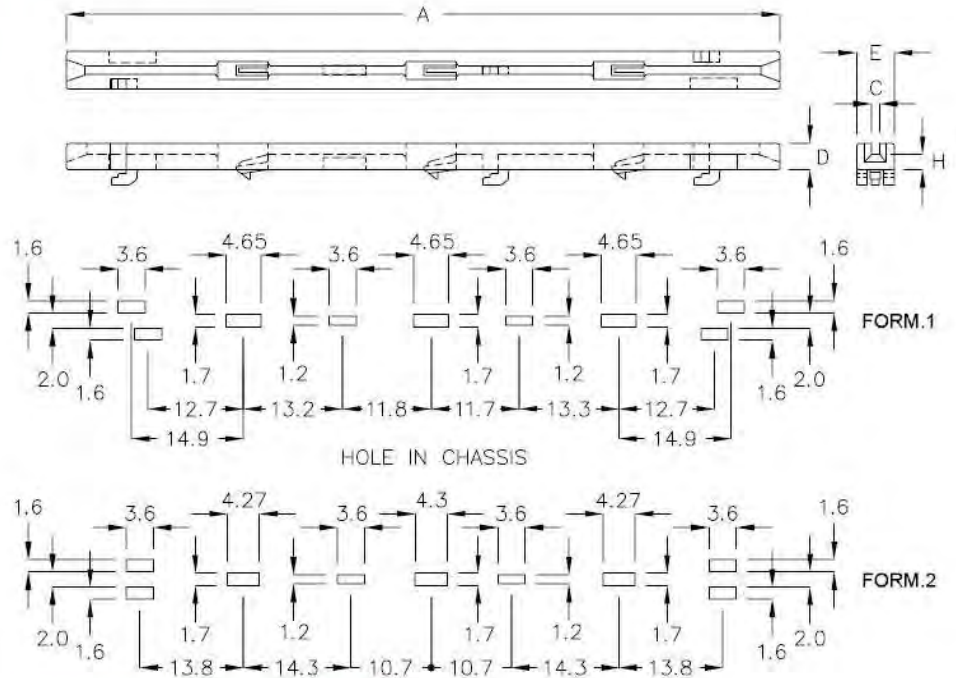
PART NO	A	C	D	E	G	H	MAXIMUM THICKNESS	PACKAGE
CG-12AT	119.0	2.6	4.5	10.8	2.1	1.5	1.0	100
CG-12BG	119.0	3.2	4.5	10.8	2.7	1.5	1.0	





印刷電路板導槽 PCB GUIDE RAIL 11-16-1

- MATERIAL: NYLON 66(UL)
- FLAME CLASS: 94V-0
- COLOR: BLACK

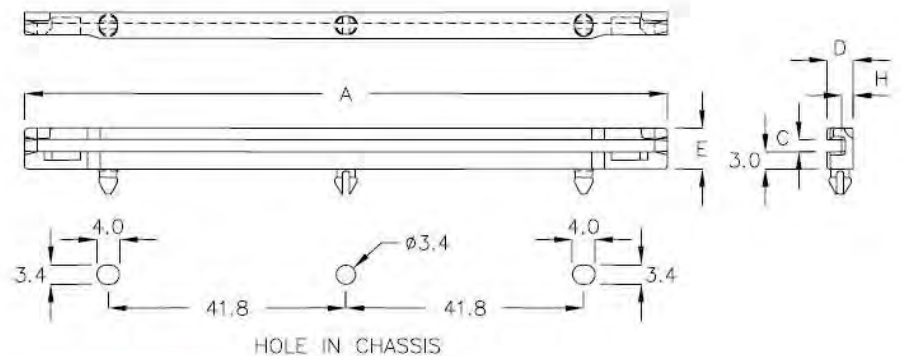


PART NO	A	C	D	E	H	CHASSIS THICKNESS	FORM	PACKAGE
CGJ-95RY	95.0	1.1	3.5	5.0	2.0	0.5	1	100
						0.8~1.0	2	



印刷電路板導槽 PCB GUIDE RAIL 11-16-2

- MATERIAL: NYLON 66(UL)
- FLAME CLASS: 94V-2
- COLOR: BLACK
- NO EXTRA SCREW NEEDED

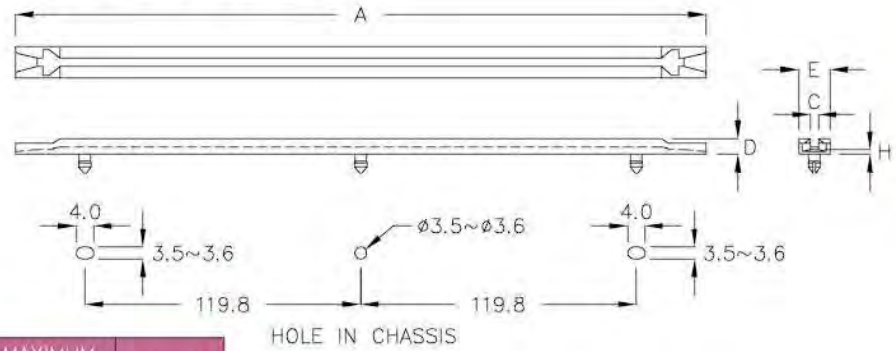


PART NO	A	C	D	E	H	MAXIMUM THICKNESS	PACKAGE
CGT-113F	113.0	2.1	4.6	7.1	2.0	1.6	100



印刷電路板導槽 PCB GUIDE RAIL | 11-17-1 |

- MATERIAL: PC(UL)
- FLAME CLASS: 94V-2
- COLOR: BLACK
- NO EXTRA SCREW NEEDED

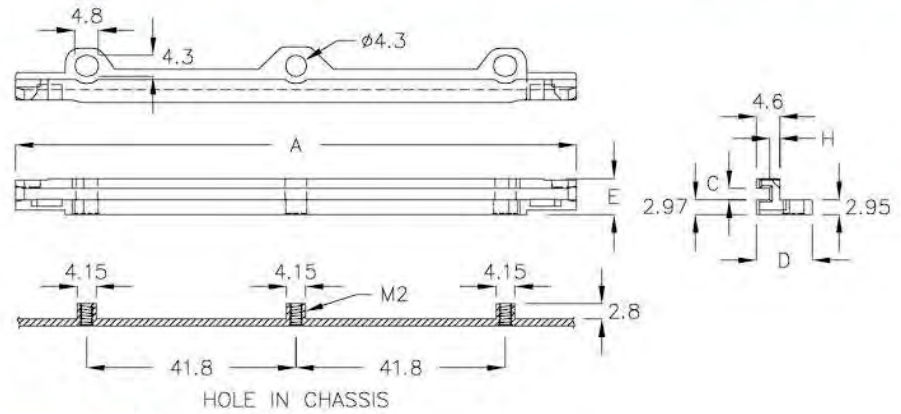


PART NO	A	C	D	E	H	MAXIMUM THICKNESS	PACKAGE
CG-28A	280.0	2.35	4.5	9.0	2.0	1.7	100



印刷電路板導槽 PCB GUIDE RAIL | 11-17-2 |

- MATERIAL: NYLON 66(UL)
- FLAME CLASS: 94V-0
- COLOR: BLACK

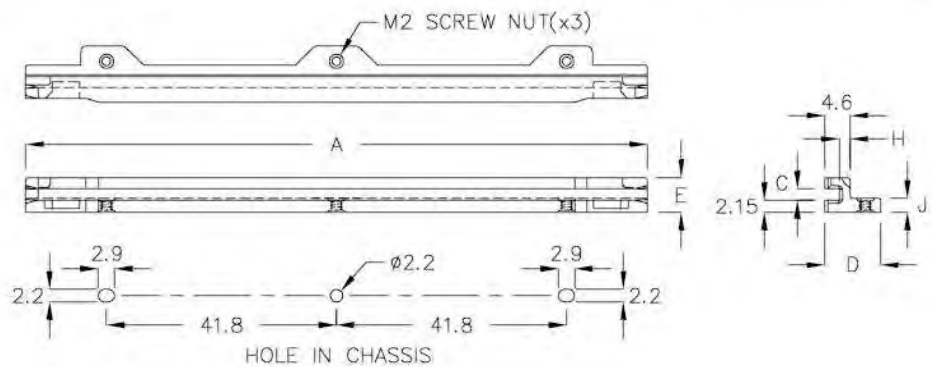


PART NO	A	C	D	E	H	PACKAGE
CGW-112A	112.0	2.25	11.1	7.16	2.0	100



印刷電路板導槽 PCB GUIDE RAIL | 11-17-3 |

- MATERIAL: ABS+PC(UL)
- FLAME CLASS: 94V-0
- COLOR: BLACK
- USE M2 SCREW

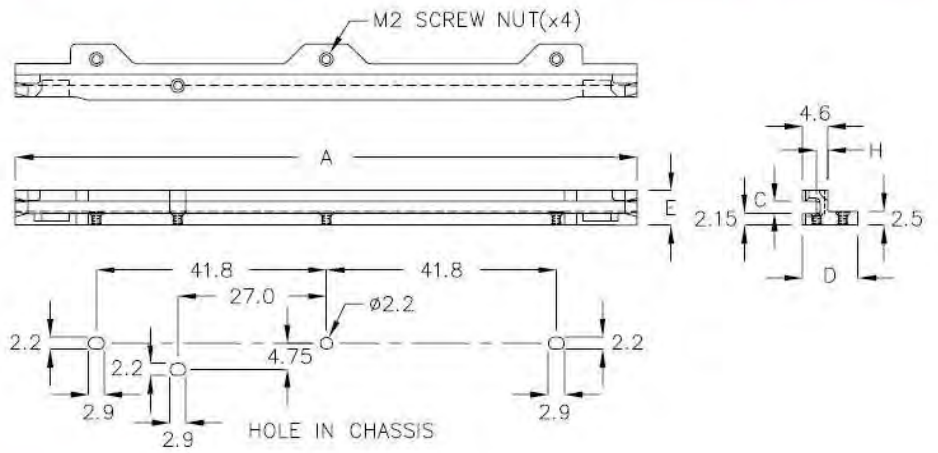


PART NO	A	C	D	E	J	H	PACKAGE
CGZ-113AT	113.0	2.1	10.1	6.25	2.0	2.0	100
CGZ-113K	113.0	2.1	10.1	6.25	2.5	2.0	



印刷電路板導槽 PCB GUIDE RAIL ———— 11-18-1

- MATERIAL: ABS+PC(UL)
- FLAME CLASS: 94V-0
- COLOR: BLACK
- USE M2 SCREW

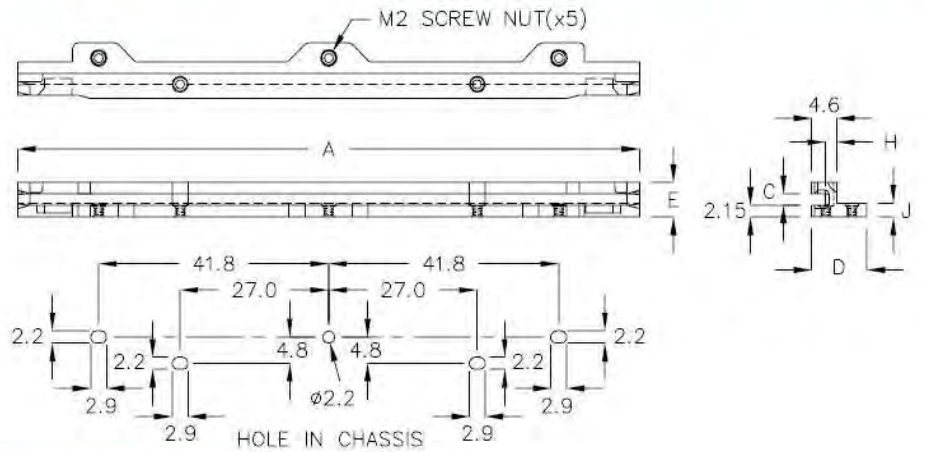


PART NO	A	C	D	E	H	PACKAGE
CGZ-113NR	113.0	2.1	10.1	6.25	2.0	100



印刷電路板導槽 PCB GUIDE RAIL ———— 11-18-2

- MATERIAL: ABS+PC(UL)
- FLAME CLASS: 94V-0
- COLOR: BLACK
- USE M2 SCREW

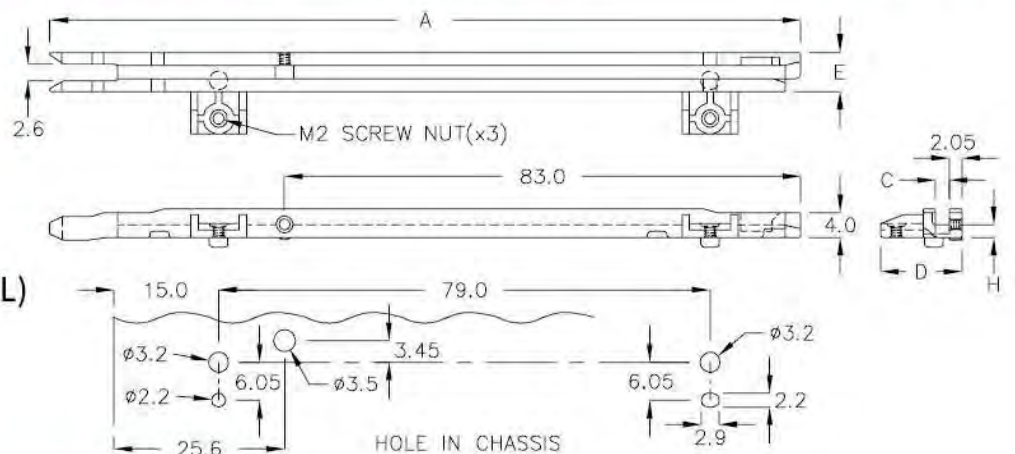


PART NO	A	C	D	E	J	H	PACKAGE
CGZ-113TY	113.0	2.1	10.1	6.25	2.0	2.0	100
CGZ-113FL	113.0	2.1	10.1	6.25	2.5	2.0	



印刷電路板導槽 PCB GUIDE RAIL ———— 11-18-3

- MATERIAL: ABS+PC(UL)
- FLAME CLASS: 94V-0
- COLOR: BLACK
- USE M2 SCREW

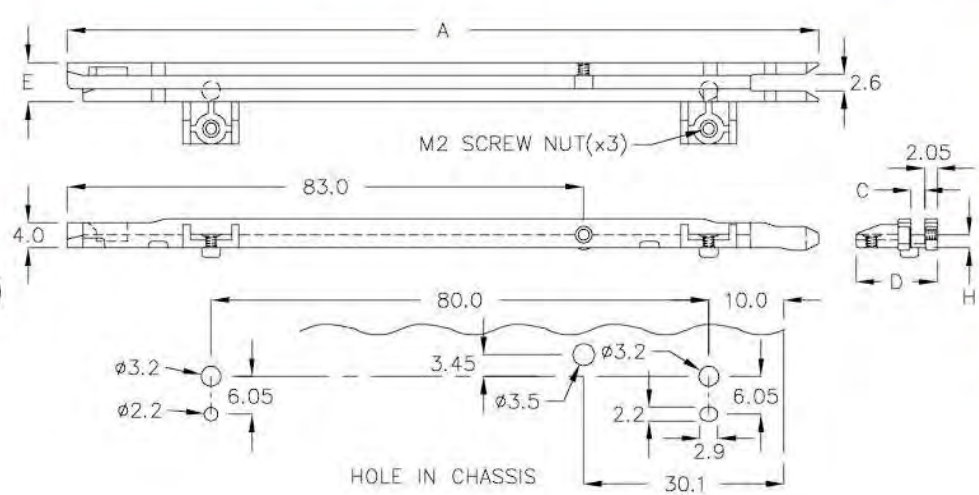


PART NO	A	C	D	E	H	PACKAGE
CGZA-120L	120.7	2.2	13.05	6.25	2.0	100

印刷電路板導槽 PCB GUIDE RAIL 11-19-1



- MATERIAL: ABS+PC(UL)
- FLAME CLASS: 94V-0
- COLOR: BLACK
- USE M2 SCREW

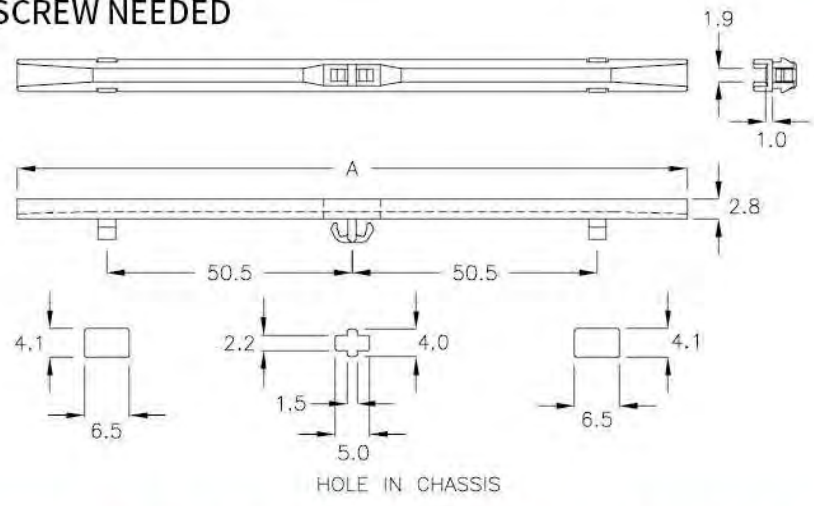


PART NO	A	C	D	E	H	PACKAGE
CGZA-120R	120.7	2.2	13.05	6.25	2.0	100

印刷電路板導槽 PCB GUIDE RAIL 11-19-2



- MATERIAL: NYLON 66(UL)
- FLAME CLASS: 94V-2
- COLOR: BLACK
- NO EXTRA SCREW NEEDED

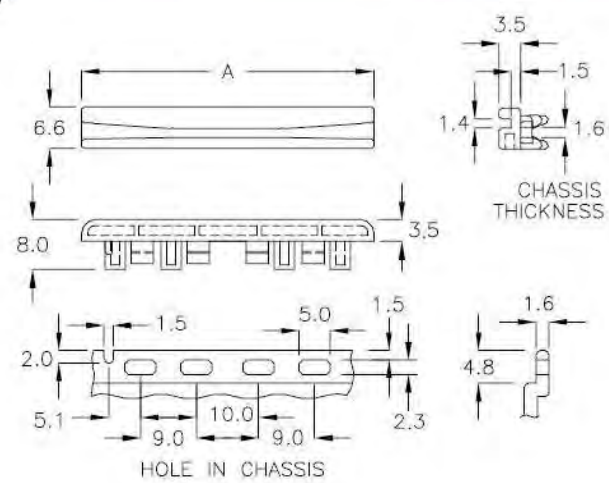


PART NO	A	MAXIMUM THICKNESS	PACKAGE
CGB-127	127.0	1.0	100

印刷電路板導槽 PCB GUIDE RAIL 11-19-3



- MATERIAL: NYLON 66(UL)
- FLAME CLASS: 94V-2
- COLOR: NATURAL



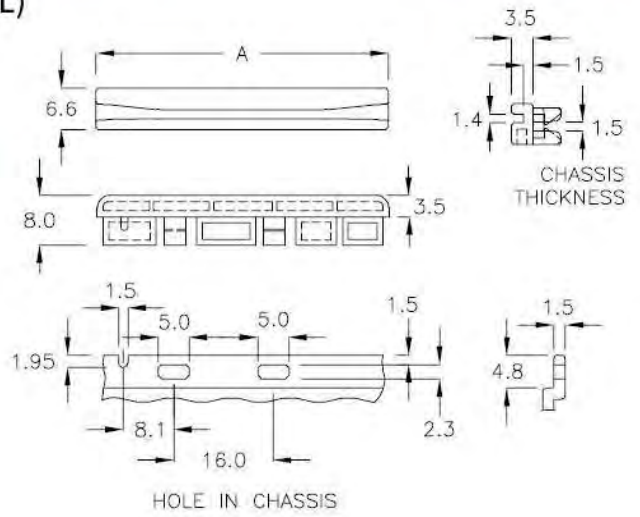
PART NO	A	PACKAGE
CGM-47	47.0	200



印刷電路板導槽 PCB GUIDE RAIL ———— 11-20-1

- MATERIAL: NYLON 66(UL)
- FLAME CLASS: 94V-2
- COLOR: NATURAL

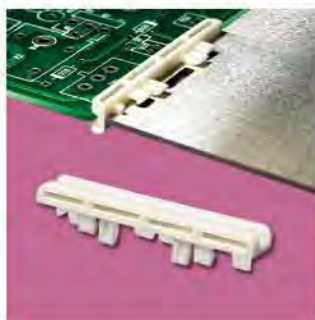
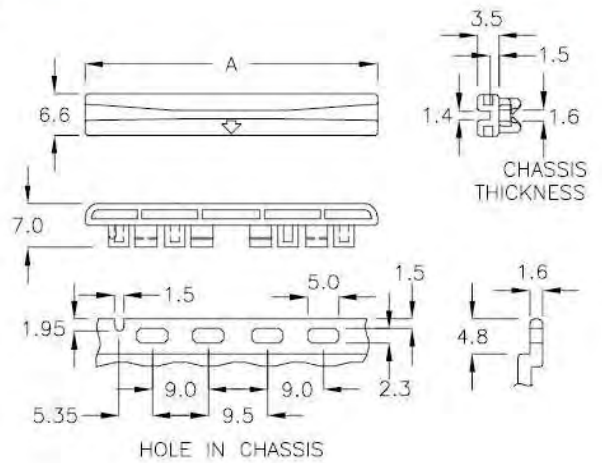
PART NO	A	PACKAGE
CGM-47SJ	47.0	200



印刷電路板導槽 PCB GUIDE RAIL ———— 11-20-2

- MATERIAL: NYLON 66(UL)
- FLAME CLASS: 94V-2
- COLOR: NATURAL

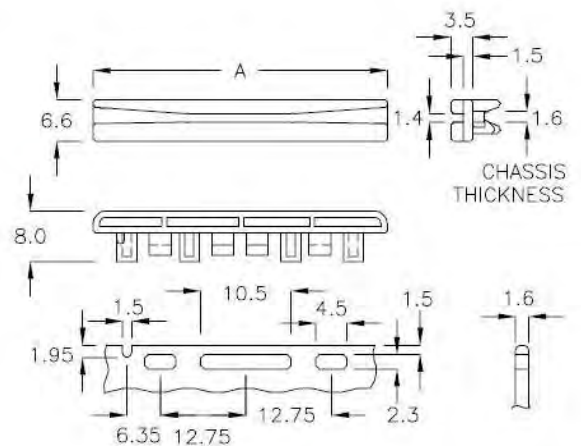
PART NO	A	PACKAGE
CGM-47YK	47.0	200



印刷電路板導槽 PCB GUIDE RAIL ———— 11-20-3

- MATERIAL: NYLON 66(UL)
- FLAME CLASS: 94V-2
- COLOR: NATURAL

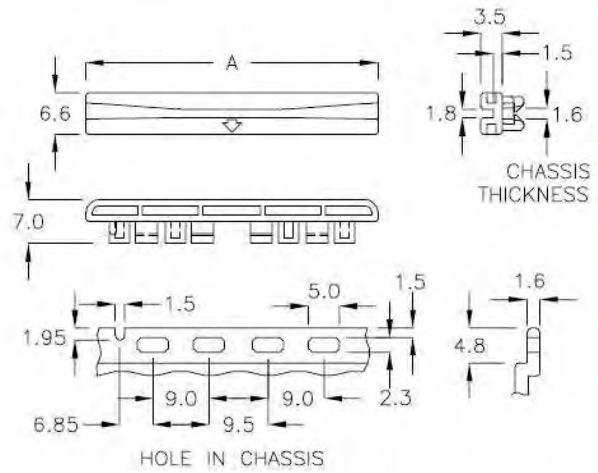
PART NO	A	PACKAGE
CGM-47DK	47.0	200





印刷電路板導槽 PCB GUIDE RAIL ———— | 11-21-1 |

- MATERIAL: NYLON 66(UL)
- FLAME CLASS: 94V-2
- COLOR: NATURAL

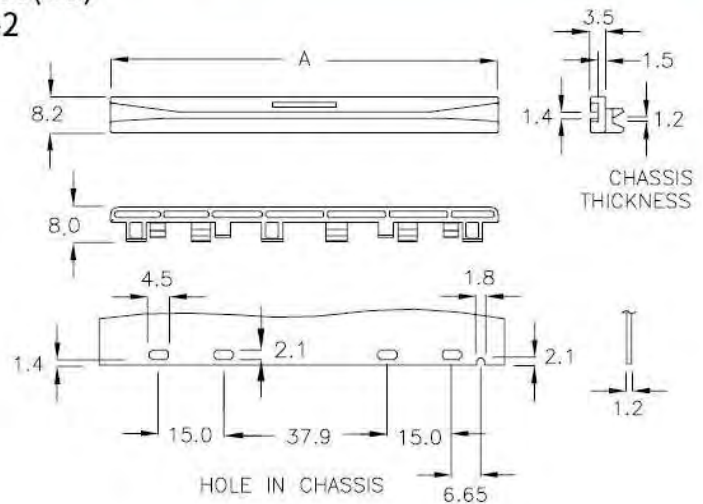


PART NO	A	PACKAGE
CGM-50RT	50.0	200



印刷電路板導槽 PCB GUIDE RAIL ———— | 11-21-2 |

- MATERIAL: NYLON 66(UL)
- FLAME CLASS: 94V-2
- COLOR: NATURAL

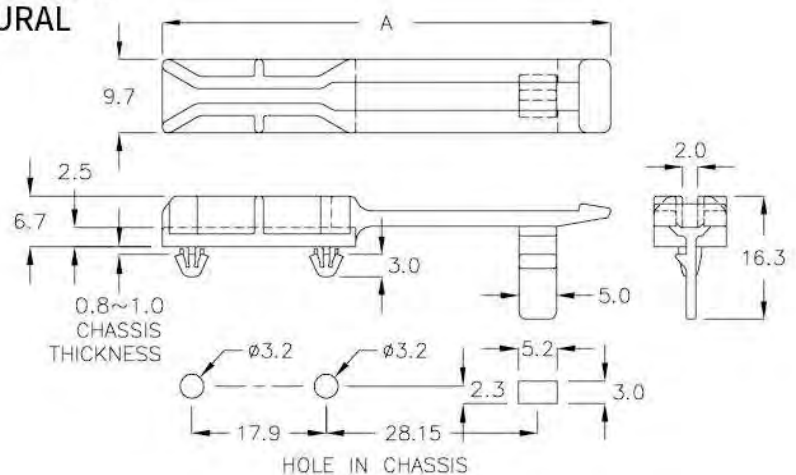


PART NO	A	PACKAGE
CGM-90	90.0	200



印刷電路板導槽 PCB GUIDE RAIL ———— | 11-21-3 |

- MATERIAL: NYLON 66(UL)
- FLAME CLASS: 94V-2
- COLOR: NATURAL



PART NO	A	PACKAGE
CGH-60PL	59.7	200

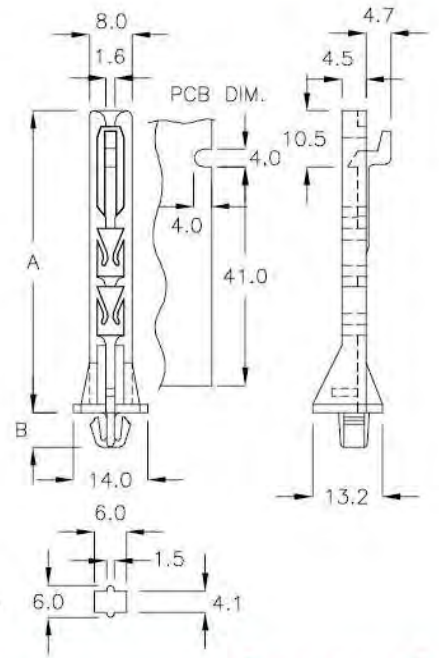


直立式導槽 PCB GUIDE RAIL

11-22-1

- MATERIAL: NYLON 66(UL)
- FLAME CLASS: 94V-2
- COLOR: NATURAL
- NO EXTRA SCREW NEEDED

PART NO	A	B	PACKAGE
HCG-5	56.5	6.5	200



HOLE IN CHASSIS
MAXIMUM THICKNESS:1.6mm

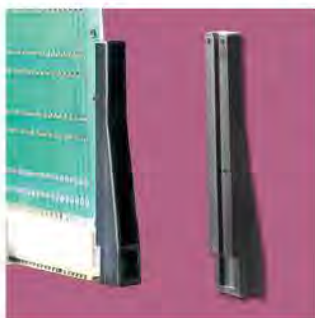
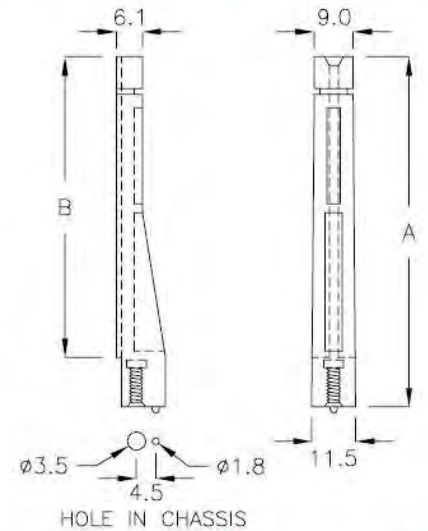
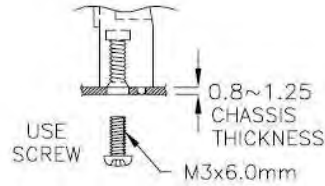


直立式導槽 PCB GUIDE RAIL

11-22-2

- MATERIAL: NYLON 66(UL)
- FLAME CLASS: 94V-2
- COLOR: WHITE

PART NO	A	B	PACKAGE
HCG-9	89.2	77.2	50
HCG-13	130.0	118.5	

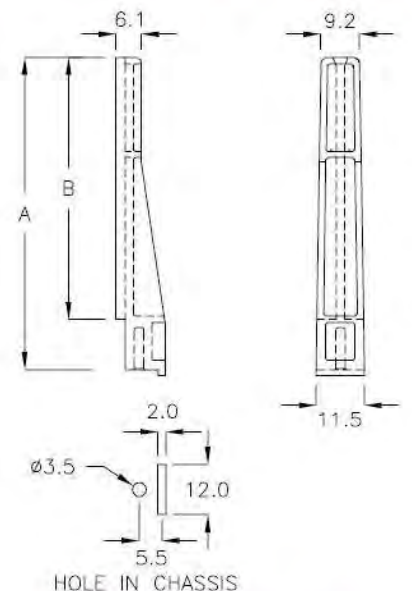


直立式導槽 PCB GUIDE RAIL

11-22-3

- MATERIAL: NYLON 66(UL)
- FLAME CLASS: 94V-2
- COLOR: BLACK
- USE M3x8 TAPPING SCREW

PART NO	A	B	PACKAGE
HCG-74A	74.2	62.2	200



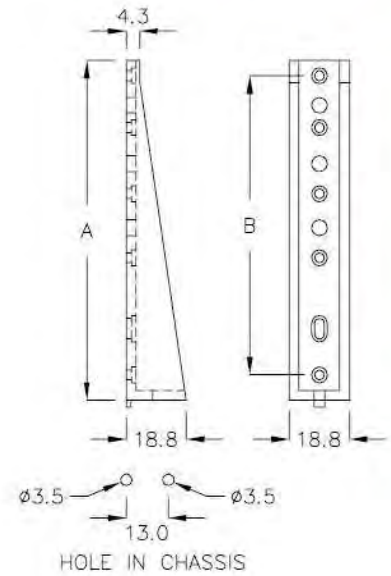


直立式導槽 PCB GUIDE RAIL | 11-23-1 |

- MATERIAL: NYLON 66(UL)
- FLAME CLASS: 94V-2
- COLOR: BLACK
- USE M3x10 TAPPING SCREW

PART NO	A	B	PACKAGE
HCG-10	105.0	92.0	200

ASSEMBLE WITH P.G PART CG-10B
(Page 11-4-1)



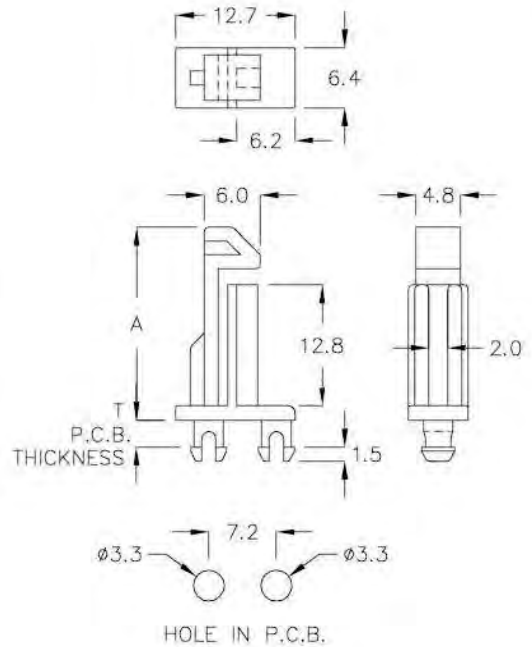
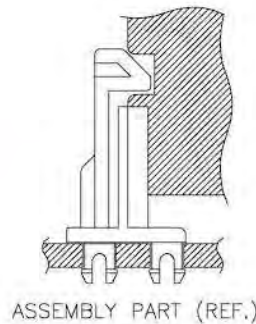
直立式導槽 PCB GUIDE RAIL | 11-23-2 |

- MATERIAL: NYLON 66(UL)
- FLAME CLASS: 94V-0
- COLOR: NATURAL

NEW

PART NO	A	T P.C.B. THICKNESS	PACKAGE
★ HCGT-20A	8.0	2.7	200

★



12

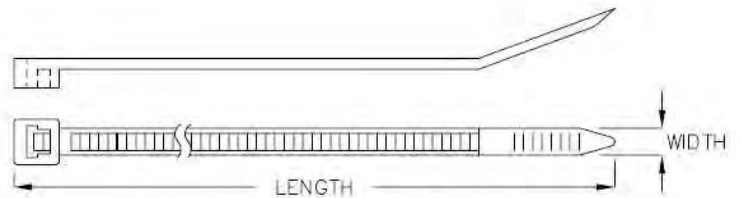


束線帶
CABLE TIES

電線束線帶 CABLE TIE

12-2-1

- MATERIAL: NYLON 66(UL)
- FLAME CLASS: 94V-2
- COLOR: NATURAL



SUGGEST: MIN BUNDLE DIA #5.0

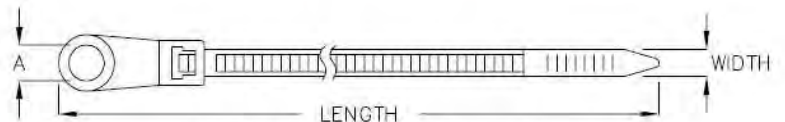


PART NO	APPROX LENGTH mm(in)	APPROX WIDTH mm(in)	MAX BUNDLE DIA mm(in)	MIN. LOOP TENSILE STRENGTH kgs(Lbs)	PACKAGE
YJ-80	80(3.15")	2.2(0.08")	17(0.67")	8(18)	1000
YJ-90	90(3.54")		21(0.83")		
YJ-98	98(3.86")		22(0.87")		
YJ-100	100(4.00")		23(0.91")		
YJ-115	115(4.53")	4.8(0.19")	29(1.15")	23(50)	500
YJ-120	120(4.72")	2.5(0.10")	30(1.18")	8(18)	1000
YJ-140	140(5.50")	4.8(0.19")	34(1.34")	23(50)	500
YJ-142	142(5.59")	3.6(0.14")		18(40)	
YJ-142S	142(5.59")	2.5(0.10")	36(1.42")	8(18)	1000
YJ-160	160(6.30")		42(1.66")		
YJ-203	203(8.00")	3.6(0.14")	55(2.17")	18(40)	500
YJ-203S	203(8.00")	2.5(0.10")	56(2.21")	8(18)	1000

電線束線帶 SCREW-ON CABLE TIE

12-2-2

- MATERIAL: NYLON 66(UL)
- FLAME CLASS: 94V-2
- COLOR: NATURAL



SUGGEST: MIN BUNDLE DIA #10.0

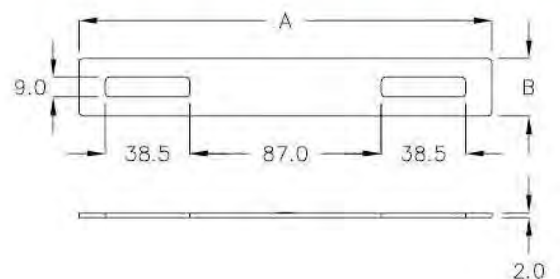
PART NO	APPROX LENGTH mm(in)	APPROX WIDTH mm(in)	MAX BUNDLE DIA mm(in)	A	PACKAGE
YJ-156	156(6.14")	3.6(0.14")	34(1.33")	ø4.3	500
YJ-205	205(8.00")	4.8(0.19")	51(2.01")	ø5.5	



把手座 HANDLE MOUNTING PLATE

12-2-3

- MATERIAL: PE
- COLOR: BLACK



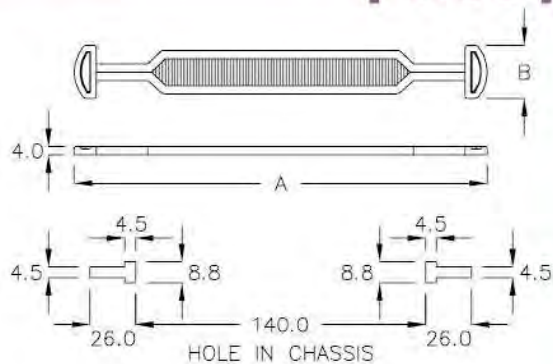
PART NO	A	B	PACKAGE
BSTH-188F	188.0	26.0	100

CAN BE USED AN OPTION P.G PART BST-07 (Page 12-3-1)



紙箱把手 PULLER 12-3-1

- MATERIAL: PE
- COLOR: WHITE



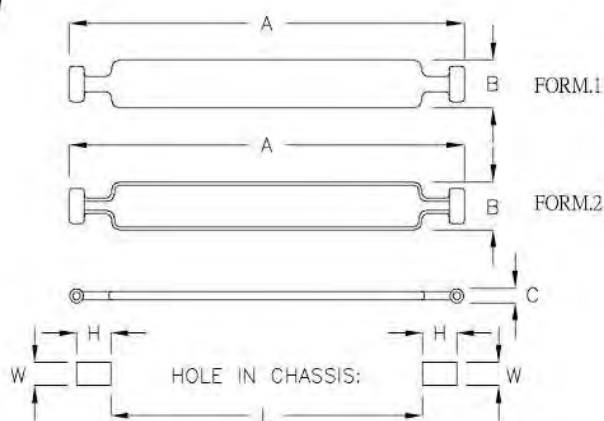
PART NO	A	B	PACKAGE
BST-07	198.0	25.4	200

CAN BE USED AN OPTION P.G PART BSTH-188F (Page 12-2-3)



把手 PULLER 12-3-2

- MATERIAL: NYLON 66(UL)
- FLAME CLASS: 94V-2
- COLOR: NATURAL

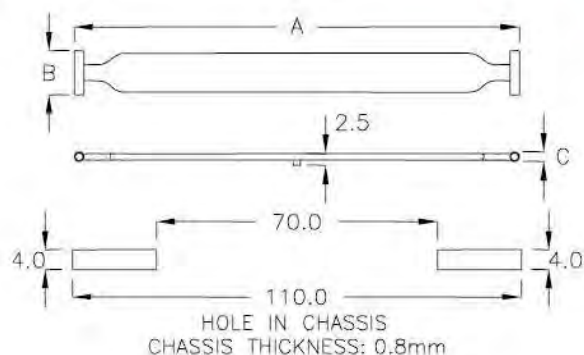


PART NO	A	B	C	H	W	L	FORM	PACKAGE
BST-60A	60.6	9.4	∅2.3	8.0	3.7	30.0	1	1000
BST-70	70.0	8.0	∅2.0	7.0	4.0	46.0	1	500
BST-8D	79.8	9.4	∅2.3	15.0	3.7	46.0	1	
BST-9A	90.5	9.4	∅2.3	7.0	3.8	60.5	2	
BST-120	120.0	11.9	∅2.3	9.2	6.0	80.0	2	



把手 PULLER 12-3-3

- MATERIAL: NYLON 66(UL)
- FLAME CLASS: 94V-2
- COLOR: BLACK



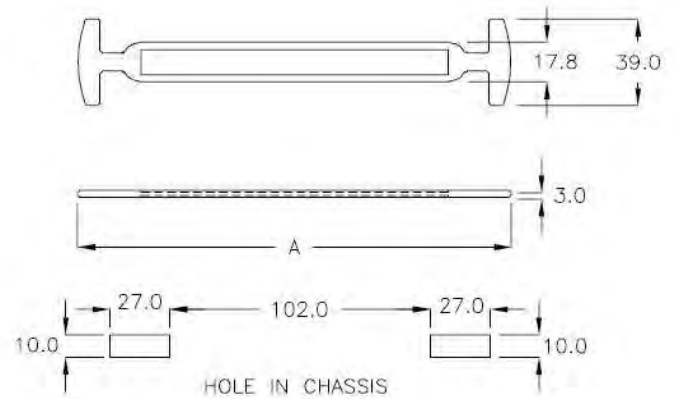
PART NO	A	B	C	PACKAGE
BSX-110K	110.6	9.0	∅2.0	500



把手 PULLER 12-4-1

- MATERIAL: NYLON 66(UL)
- FLAME CLASS: 94V-2
- COLOR: NATURAL

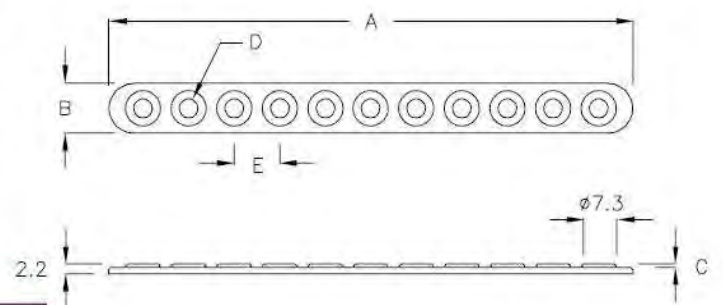
PART NO	A	PACKAGE
BST-180Q	180.0	200



固定座 MOUNTING 12-4-2

- MATERIAL: NYLON 66(UL)
- FLAME CLASS: 94V-2
- COLOR: BLACK
- USE M4 SCREW

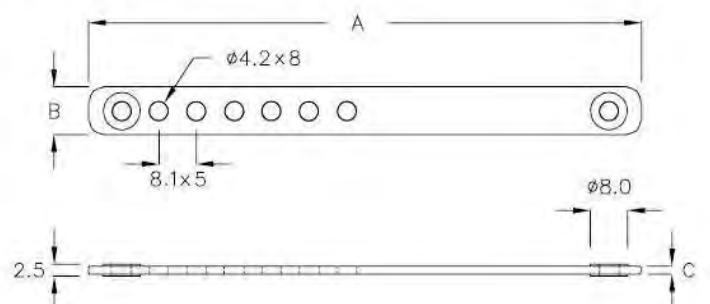
PART NO	A	B	C	D	E	PACKAGE
BSW-115	115.0	11.0	0.7	∅4.3x11	10.0x10	500
BSW-155	155.0	11.0	0.7	∅4.3x15	10.0x14	



固定座 MOUNTING 12-4-3

- MATERIAL: NYLON 66(UL)
- FLAME CLASS: 94V-2
- COLOR: BLACK
- USE M4 SCREW

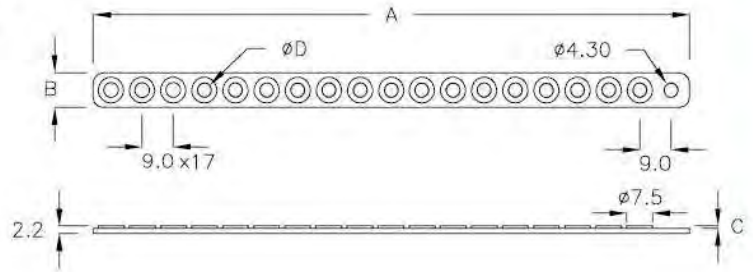
PART NO	A	B	C	PACKAGE
BSW-119	118.8	10.2	1.7	500





固定座 MOUNTING ————— | 12-5-1 |

- MATERIAL: NYLON 66(UL)
- FLAME CLASS: 94V-2
- COLOR: BLACK
- USE M4 SCREW

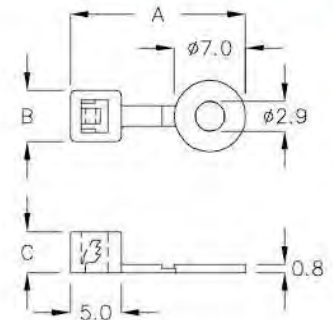
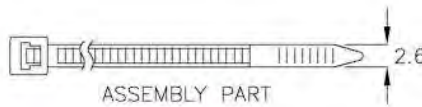


PART NO	A	B	C	D	PACKAGE
BSW-172	172.7	10.0	0.7	ø4.3x18	500



束線固定座 MOUNTING ————— | 12-5-2 |

- MATERIAL: NYLON 66(UL)
- FLAME CLASS: 94V-2
- COLOR: BLACK



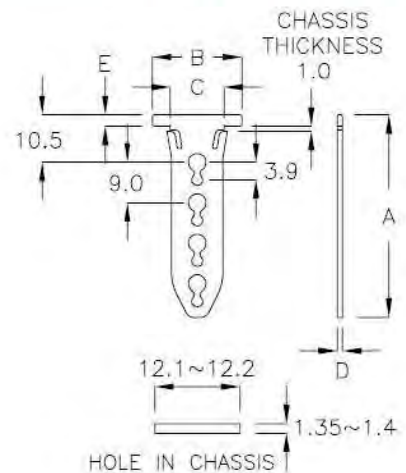
PART NO	A	B	C	ASSEMBLE WITH P.G. PART	PACKAGE
YAD-01	17.2	5.0	4.0	YJ-80, YJ-90, YJ-98 YJ-100, YJ-120, YJ-142S YJ-160, YJ-203S	2000

ASSEMBLE WITH P.G PART YJ-SERIES (Page 12-2-1)
MUST BE ASSEMBLED WITH CABLE TIE, WIDTH UP TO 2.6mm



電源線固定帶 CABLE TIE ————— | 12-5-3 |

- MATERIAL: NYLON 66(UL)
- FLAME CLASS: 94V-2
- COLOR: BLACK



PART NO	A	B	C	D	E	PACKAGE
PSA-01	45.0	20.0	11.9	1.2	2.5	500

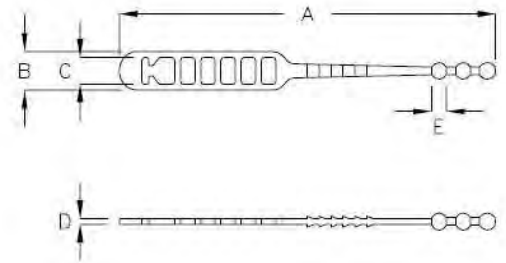
ASSEMBLE WITH P.G PART PSA-02 (Page 12-6-1)



電源線固定帶 CABLE TIE

12-6-1

- MATERIAL: NYLON 66(UL)
- FLAME CLASS: 94V-2
- COLOR: BLACK



PART NO	A	B	C	D	E	PACKAGE
PSA-02	78.25	8.0	5.6	1.2	∅3.5	500

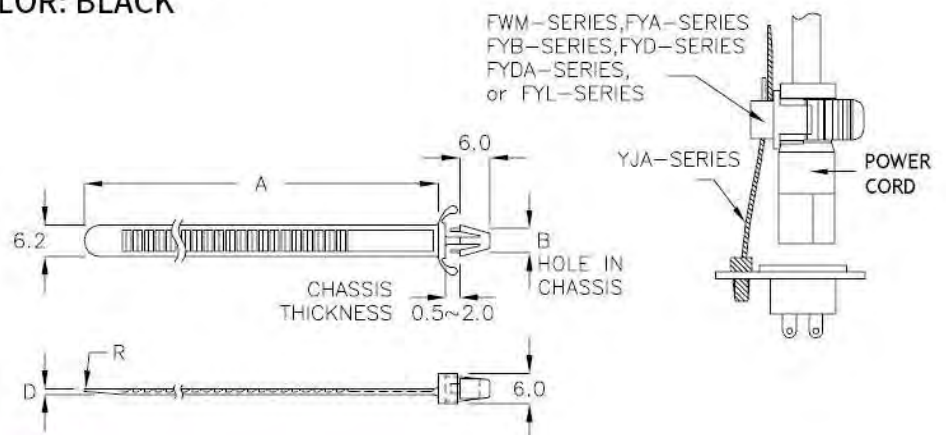
ASSEMBLE WITH P.G PART PSA-01 (Page 12-5-3)

電源線固定帶 CABLE TIE

12-6-2



- MATERIAL: NYLON 66(UL)
- FLAME CLASS: 94V-2
- COLOR: BLACK



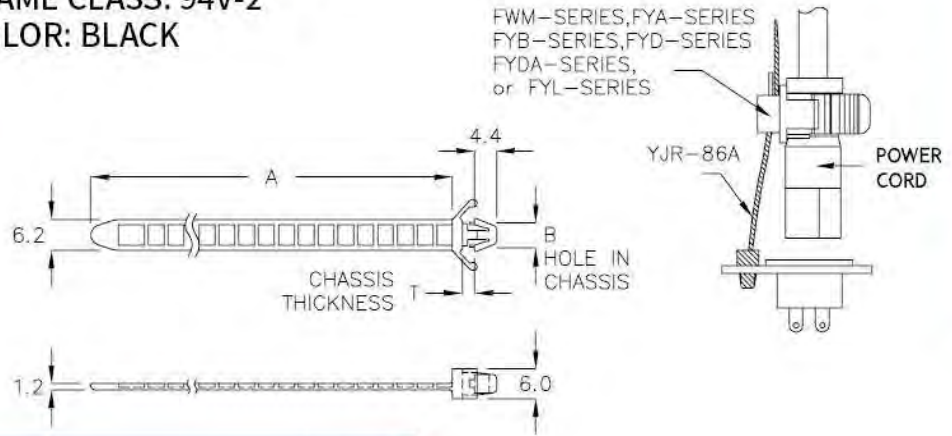
PART NO	A	B HOLE IN CHASSIS	D	R	ASSEMBLE WITH P.G. PART	PACKAGE
YJA-85	85.0	∅5.0	1.2	R0.1	FWM-7GQ, FWM-8K FWM-11A, FWM-11KN FWM-15A, FWM-19M FYA-15KC, FYA-15TR	100
YJA-85KT	85.0	∅5.0	1.2	R0.4	FYB-15NK, FYD-13K FYDA-13C, FYL-17C	
YJA-85PD	85.0	∅5.0	1.5	R0.1	FWM-11PH, FWM-15PD	

ASSEMBLE WITH P.G PART FWM-SERIES, FYA-SERIES, FYB-SERIES, FYD-SERIES, FYDA-SERIES or FYL-SERIES (Page 12-14-2, 12-15, 12-16-2, 12-17-1)



電源線固定帶 CABLE TIE 12-7-1

- MATERIAL: NYLON 66(UL)
- FLAME CLASS: 94V-2
- COLOR: BLACK



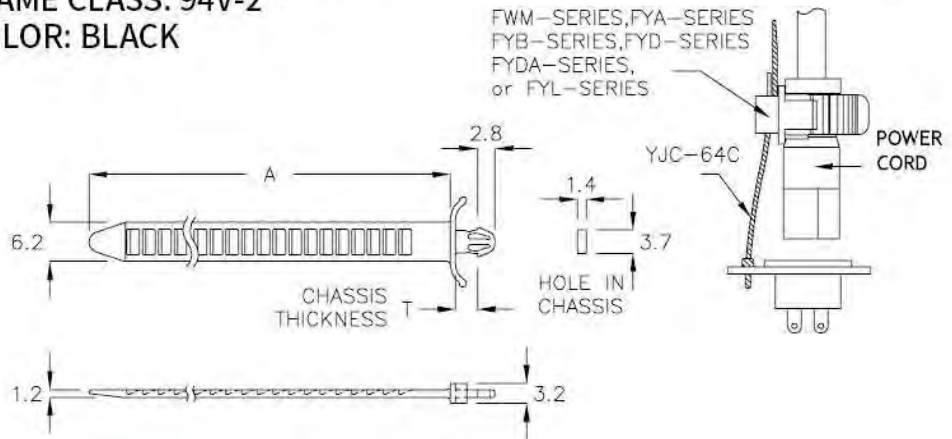
PART NO	A	B HOLE IN CHASSIS	T CHASSIS THICKNESS	ASSEMBLE WITH P.G. PART	PACKAGE
YJR-86A	86.75	ø5.0	0.8~2.0	FWM-7GQ, FWM-8K FWM-11A, FWM-11KN FWM-15A, FWM-19M FYA-15KC, FYA-15TR FYB-15NK, FYD-13K FYDA-13C, FYL-17C	100

ASSEMBLE WITH P.G. PART FWM-SERIES, FYA-SERIES, FYB-SERIES, FYD-SERIES, FYDA-SERIES or FYL-SERIES (Page 12-14-2, 12-15, 12-16-2, 12-17-1)



電源線固定帶 CABLE TIE 12-7-2

- MATERIAL: NYLON 66(UL)
- FLAME CLASS: 94V-2
- COLOR: BLACK



PART NO	A	T CHASSIS THICKNESS	ASSEMBLE WITH P.G. PART	PACKAGE
YJC-64C	64.2	1.8~2.8	FWM-7GQ, FWM-8K FWM-11A, FWM-11KN FWM-15A, FWM-19M FYA-15KC, FYA-15TR FYB-15NK, FYD-13K FYDA-13C, FYL-17C	500

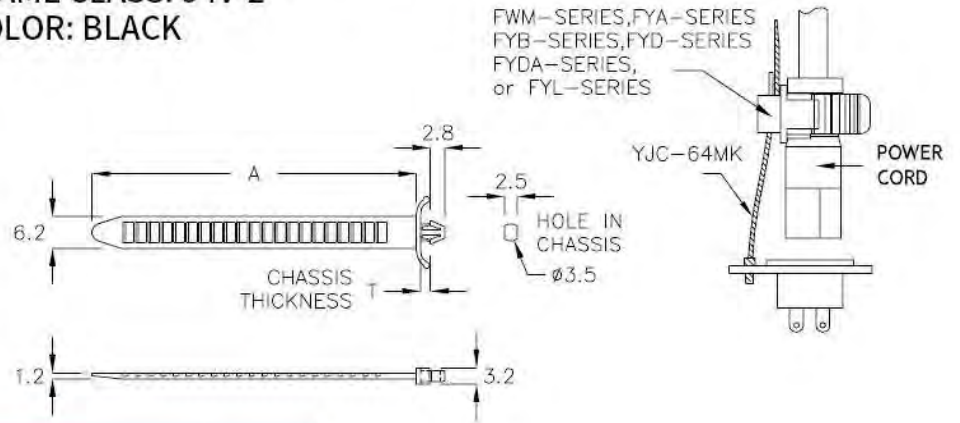
ASSEMBLE WITH P.G. PART FWM-SERIES, FYA-SERIES, FYB-SERIES, FYD-SERIES, FYDA-SERIES or FYL-SERIES (Page 12-14-2, 12-15, 12-16-2, 12-17-1)



電源線固定帶 CABLE TIE

12-8-1

- MATERIAL: NYLON 66(UL)
- FLAME CLASS: 94V-2
- COLOR: BLACK



PART NO	A	T CHASSIS THICKNESS	ASSEMBLE WITH P.G. PART	PACKAGE
YJC-64MK	64.2	1.0~1.4	FWM-7GQ, FWM-8K FWM-11A, FWM-11KN FWM-15A, FWM-19M FYA-15KC, FYA-15TR FYB-15NK, FYD-13K FYDA-13C, FYL-17C	500

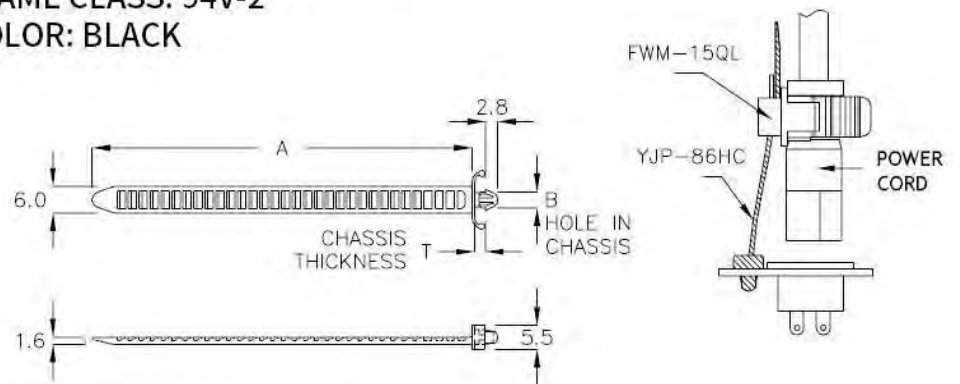
ASSEMBLE WITH P.G PART FWM-SERIES, FYA-SERIES, FYB-SERIES, FYD-SERIES, FYDA-SERIES or FYL-SERIES (Page 12-14-2, 12-15, 12-16-2, 12-17-1)



電源線固定帶 CABLE TIE

12-8-2

- MATERIAL: NYLON 66(UL)
- FLAME CLASS: 94V-2
- COLOR: BLACK



PART NO	A	B HOLE IN CHASSIS	T CHASSIS THICKNESS	ASSEMBLE WITH P.G. PART	PACKAGE
YJP-86HC	86.74	3.5	0.8~2.0	FWM-15QL	100

ASSEMBLE WITH P.G PART FWM-15QL (Page 12-15-2)

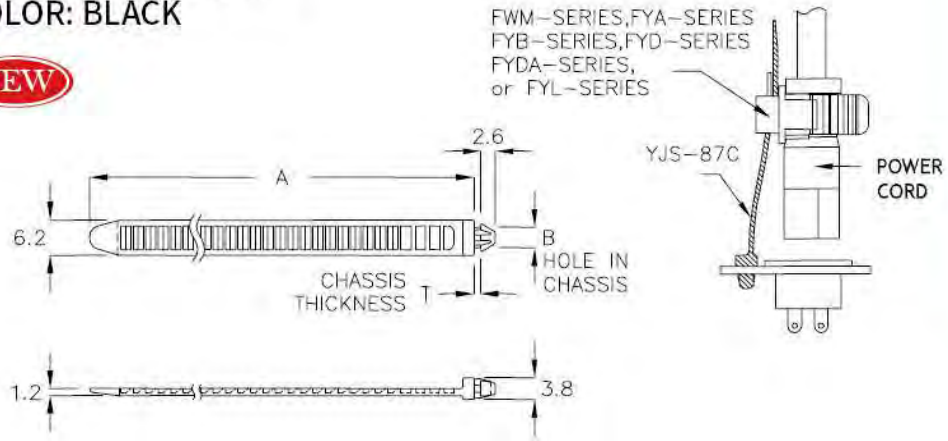


電源線固定帶 CABLE TIE

12-9-1

- MATERIAL: NYLON 66(UL)
- FLAME CLASS: 94V-2
- COLOR: BLACK

NEW



PART NO	A	B HOLE IN CHASSIS	T CHASSIS THICKNESS	ASSEMBLE WITH P.G. PART	PACKAGE
★ YJS-87C	89.0	∅3.5	0.8	FWM-7GQ, FWM-8K FWM-11A, FWM-11KN FWM-15A, FWM-19M FYA-15KC, FYA-15TR FYB-15NK, FYD-13K FYDA-13C, FYL-17C	100

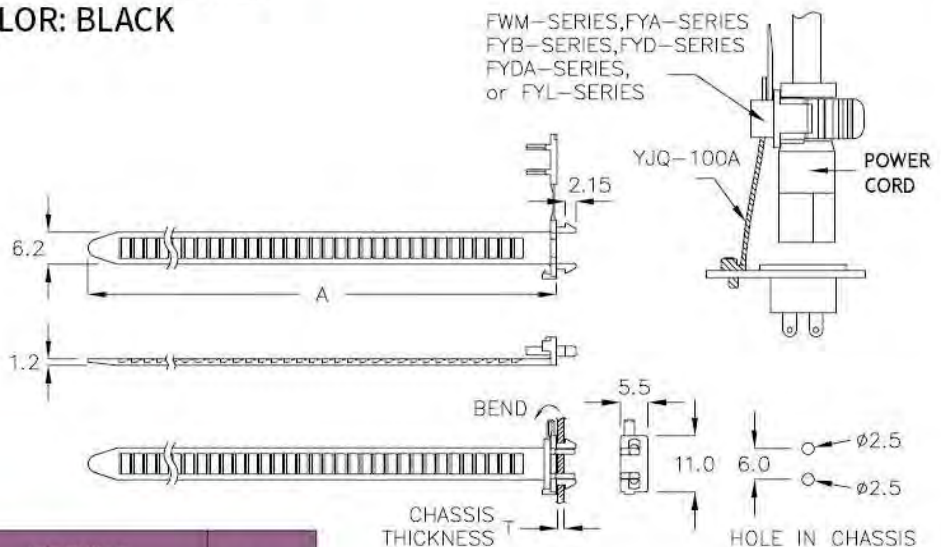
ASSEMBLE WITH P.G PART FWM-SERIES, FYA-SERIES, FYB-SERIES, FYD-SERIES, FYDA-SERIES or FYL-SERIES (Page 12-14-2, 12-15, 12-16-2, 12-17-1)



電源線固定帶 CABLE TIE

12-9-2

- MATERIAL: NYLON 66(UL)
- FLAME CLASS: 94V-2
- COLOR: BLACK



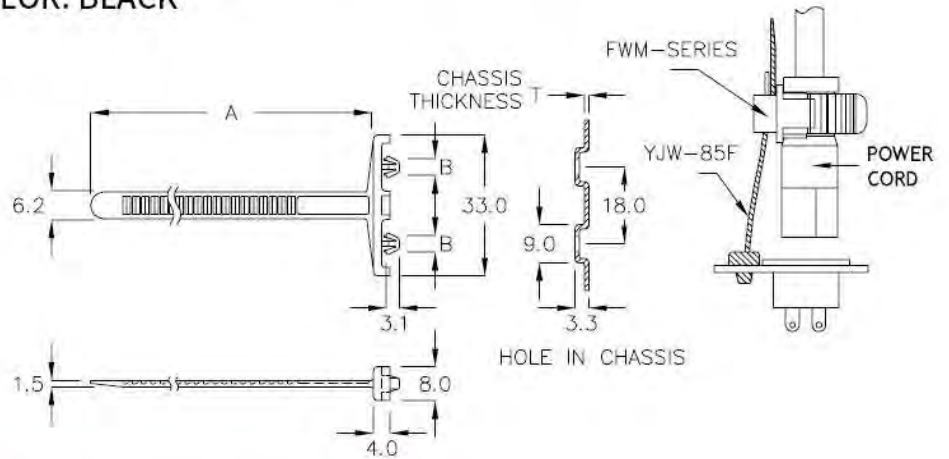
PART NO	A	T CHASSIS THICKNESS	ASSEMBLE WITH P.G. PART	PACKAGE
YJQ-100A	100.0	1.6	FWM-7GQ, FWM-8K FWM-11A, FWM-11KN FWM-15A, FWM-19M FYA-15KC, FYA-15TR FYB-15NK, FYD-13K FYDA-13C, FYL-17C	100

ASSEMBLE WITH P.G PART FWM-SERIES, FYA-SERIES, FYB-SERIES, FYD-SERIES, FYDA-SERIES or FYL-SERIES (Page 12-14-2, 12-15, 12-16-2, 12-17-1)



電源線固定帶 CABLE TIE 12-10-1

- MATERIAL: NYLON 66(UL)
- FLAME CLASS: 94V-2
- COLOR: BLACK



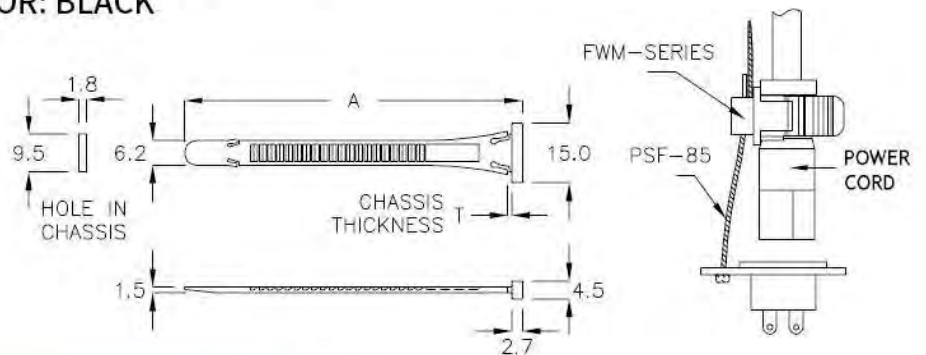
PART NO	A	B HOLE IN CHASSIS	T CHASSIS THICKNESS	ASSEMBLE WITH P.G. PART	PACKAGE
YJW-85F	85.0	∅4.0	1.0	FWM-11PH, FWM-15PD	100

ASSEMBLE WITH P.G PART FWM-SERIES (Page 12-14-2)



電源線固定帶 CABLE TIE 12-10-2

- MATERIAL: NYLON 66(UL)
- FLAME CLASS: 94V-2
- COLOR: BLACK



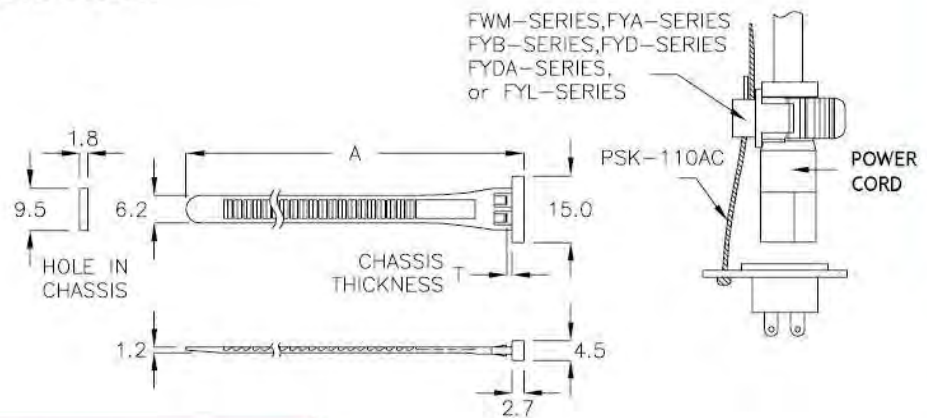
PART NO	A	T CHASSIS THICKNESS	ASSEMBLE WITH P.G. PART	PACKAGE
PSF-85	85.0	0.8	FWM-11PH, FWM-15PD	500

ASSEMBLE WITH P.G PART FWM-SERIES (Page 12-14-2)



電源線固定帶 CABLE TIE 12-11-1

- MATERIAL: NYLON 66(UL)
- FLAME CLASS: 94V-2
- COLOR: BLACK



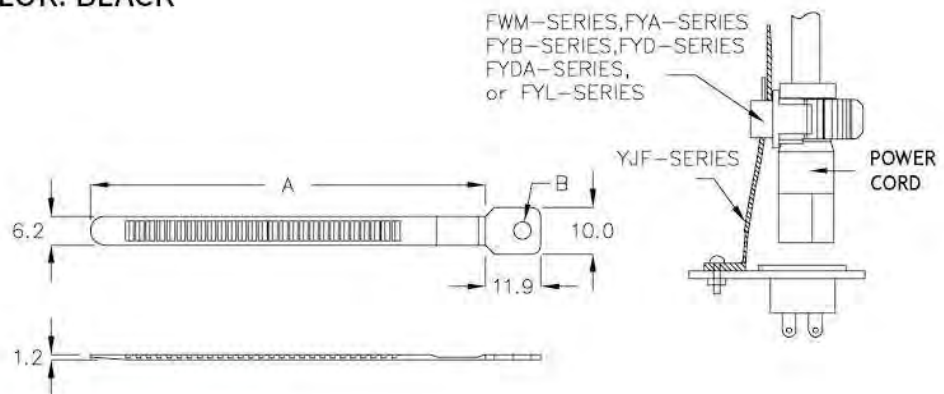
PART NO	A	T CHASSIS THICKNESS	ASSEMBLE WITH P.G. PART	PACKAGE
PSK-110AC	110.0	0.8	FWM-7GQ, FWM-8K FWM-11A, FWM-11KN FWM-15A, FWM-19M FYA-15KC, FYA-15TR FYB-15NK, FYD-13K FYDA-13C, FYL-17C	500

ASSEMBLE WITH P.G. PART FWM-SERIES, FYA-SERIES, FYB-SERIES, FYD-SERIES, FYDA-SERIES or FYL-SERIES (Page 12-14-2, 12-15, 12-16-2, 12-17-1)



電源線固定帶 CABLE TIE 12-11-2

- MATERIAL: NYLON 66(UL)
- FLAME CLASS: 94V-2
- COLOR: BLACK



PART NO	A	B	ASSEMBLE WITH P.G. PART	PACKAGE
YJF-94	85.0	ø3.8	FWM-7GQ, FWM-8K FWM-11A, FWM-11KN FWM-15A, FWM-19M FYA-15KC, FYA-15TR FYB-15NK, FYD-13K FYDA-13C, FYL-17C	100
YJF-116KH	105.0	ø6.0	FWM-7GQ, FWM-8K FWM-11A, FWM-11KN FWM-15A, FWM-19M FYA-15KC, FYA-15TR FYB-15NK, FYD-13K FYDA-13C, FYL-17C	100

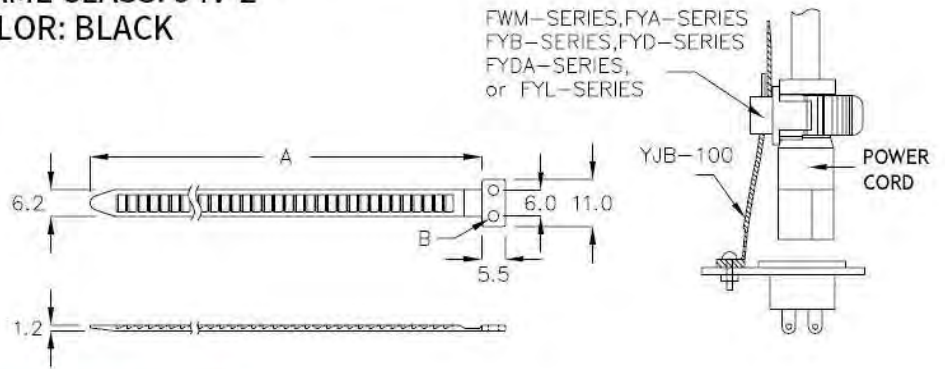
ASSEMBLE WITH P.G. PART FWM-SERIES, FYA-SERIES, FYB-SERIES, FYD-SERIES, FYDA-SERIES or FYL-SERIES (Page 12-14-2, 12-15, 12-16-2, 12-17-1)



電源線固定帶 CABLE TIE

12-12-1

- MATERIAL: NYLON 66(UL)
- FLAME CLASS: 94V-2
- COLOR: BLACK



PART NO	A	B	ASSEMBLE WITH P.G. PART	PACKAGE
YJB-100	100.0	∅2.5	FWM-7GQ, FWM-8K FWM-11A, FWM-11KN FWM-15A, FWM-19M FYA-15KC, FYA-15TR FYB-15NK, FYD-13K FYDA-13C, FYL-17C	100

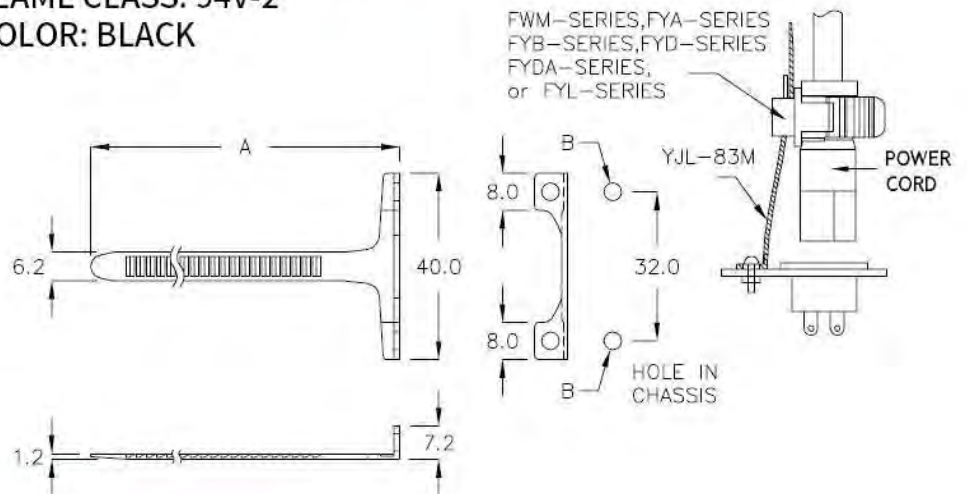
ASSEMBLE WITH P.G PART FWM-SERIES, FYA-SERIES, FYB-SERIES, FYD-SERIES, FYDA-SERIES or FYL-SERIES (Page 12-14-2, 12-15, 12-16-2, 12-17-1)



電源線固定帶 CABLE TIE

12-12-2

- MATERIAL: NYLON 66(UL)
- FLAME CLASS: 94V-2
- COLOR: BLACK



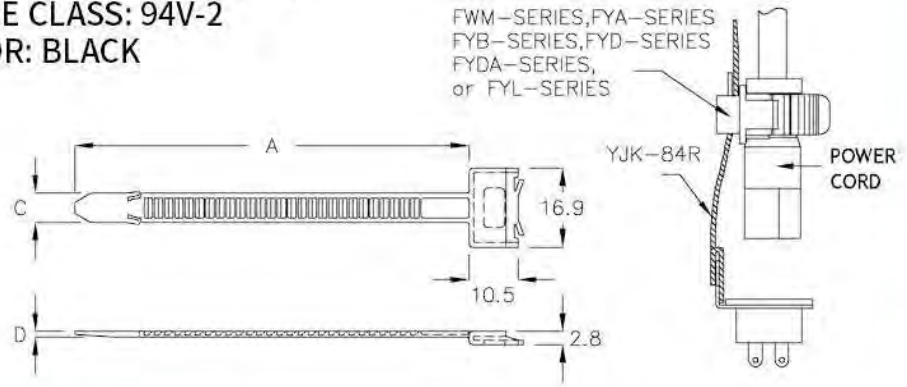
PART NO	A	B HOLE IN CHASSIS	ASSEMBLE WITH P.G. PART	PACKAGE
YJL-83M	83.5	∅3.5	FWM-7GQ, FWM-8K FWM-11A, FWM-11KN FWM-15A, FWM-19M FYA-15KC, FYA-15TR FYB-15NK, FYD-13K FYDA-13C, FYL-17C	100

ASSEMBLE WITH P.G PART FWM-SERIES, FYA-SERIES, FYB-SERIES, FYD-SERIES, FYDA-SERIES or FYL-SERIES (Page 12-14-2, 12-15, 12-16-2, 12-17-1)



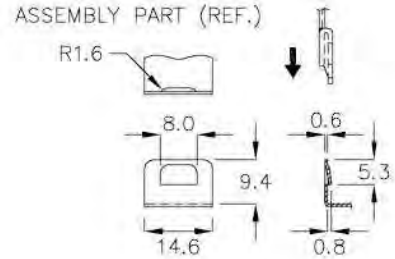
電源線固定帶 CABLE TIE 12-13-1

- MATERIAL: NYLON 66(UL)
- FLAME CLASS: 94V-2
- COLOR: BLACK



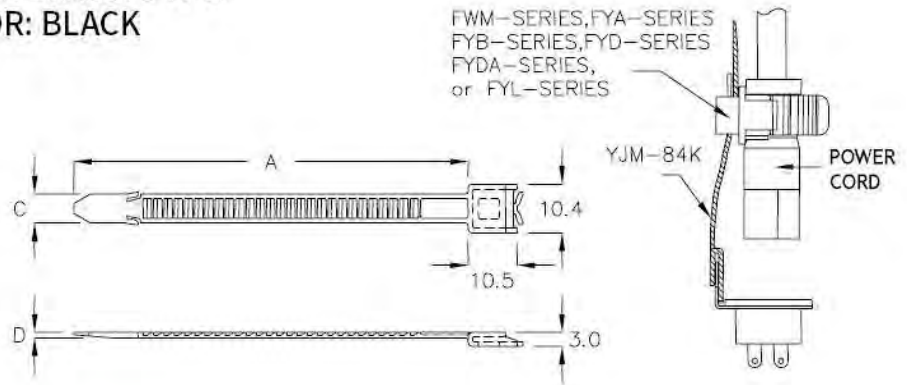
PART NO	A	C	D	ASSEMBLE WITH P.G. PART	PACKAGE
YJK-84R	84.6	6.2	1.2	FWM-7GQ, FWM-8K FWM-11A, FWM-11KN FWM-15A, FWM-19M FYA-15KC, FYA-15TR FYB-15NK, FYD-13K FYDA-13C, FYL-17C	100

ASSEMBLE WITH P.G PART FWM-SERIES, FYA-SERIES, FYB-SERIES, FYD-SERIES, FYDA-SERIES or FYL-SERIES (Page 12-14-2, 12-15, 12-16-2, 12-17-1)



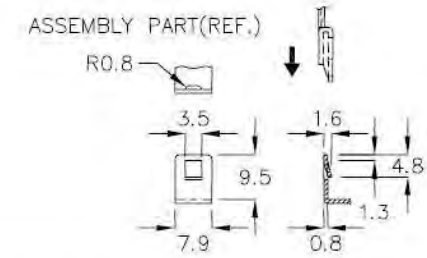
電源線固定帶 CABLE TIE 12-13-2

- MATERIAL: NYLON 66(UL)
- FLAME CLASS: 94V-2
- COLOR: BLACK



PART NO	A	C	D	ASSEMBLE WITH P.G. PART	PACKAGE
YJM-84K	84.6	6.2	1.2	FWM-7GQ, FWM-8K FWM-11A, FWM-11KN FWM-15A, FWM-19M FYA-15KC, FYA-15TR FYB-15NK, FYD-13K FYDA-13C, FYL-17C	100

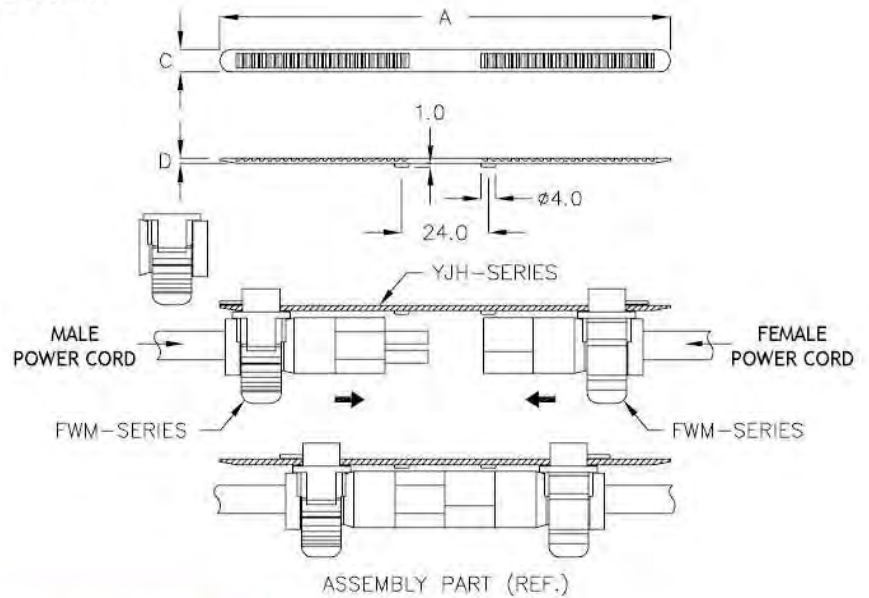
ASSEMBLE WITH P.G PART FWM-SERIES, FYA-SERIES, FYB-SERIES, FYD-SERIES, FYDA-SERIES or FYL-SERIES (Page 12-14-2, 12-15, 12-16-2, 12-17-1)





電源線固定帶 CABLE TIE 12-14-1

- MATERIAL: NYLON 66(UL)
- FLAME CLASS: 94V-2
- COLOR: BLACK



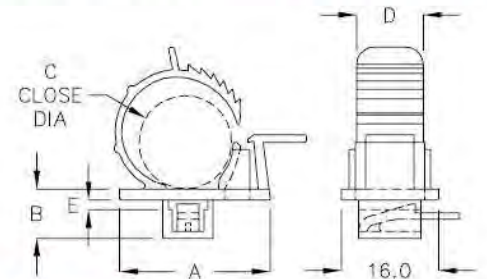
PART NO	A	C	D	ASSEMBLE WITH P.G. PART	PACKAGE
YJH-125	125.0	6.2	1.5	FWM-11PH, FWM-15PD	100
YJH-180HG	180.0	6.2	1.5	FWM-26SA	

ASSEMBLE WITH P.G PART FWM-SERIES (Page 12-14-2, 12-16-1)



電源線固定座 POWER CORD MOUNTING 12-14-2

- MATERIAL: NYLON 66(UL)
- FLAME CLASS: 94V-2
- COLOR: BLACK



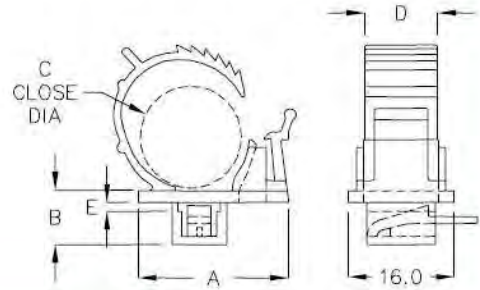
PART NO	A	B	C CLOSE DIA	D	E	R	ASSEMBLE WITH P.G. PART	PACKAGE	
FWM-7GQ	18.0	8.1	ø5.0~ø6.5	11.0	1.3	R0.1	YJA-85, YJA-85KT	100	
FWM-8K	18.0	8.1	ø7.2~ø8.3				YJB-100, YJC-64C		
FWM-11A	25.0	8.3	ø8.0~ø11.0	11.0	1.3	R0.2	YJC-64MK, YJF-94		
FWM-11KN	25.0	8.3	ø8.0~ø11.0				YJF-116KH, YJK-84R		
FWM-15A	24.7	8.1	ø11.5~ø15.3	11.0	1.3	R0.1	YJL-83M, YJM-84K		
FWM-19M	28.3	8.3	ø15.3~ø19.0				YJQ-100A, YJR-86A		
FWM-11PH	25.0	8.3	ø8.0~ø11.0	11.0	1.6	R0.1	YJS-87C, PSK-110AC		
FWM-15PD	24.8	8.1	ø11.5~ø15.3				YJA-85PD, YJH-125		
							YJH-180HG, YJW-85F		
							PSF-85		

ASSEMBLE WITH P.G PART YJA-SERIES, YJB-SERIES, YJC-SERIES, YJF-SERIES, YJH-SERIES, YJK-SERIES, YJL-SERIES, YJM-SERIES, YJQ-SERIES, YJR-SERIES, YJS-SERIES, YJW-SERIES or PSK-SERIES (Page 12-6-2, 12-7, 12-8-1, 12-9, 12-10, 12-11, 12-12, 12-13, 12-14-1)



電源線固定座 POWER CORD MOUNTING — 12-15-1

- MATERIAL: NYLON 66(UL)
- FLAME CLASS: 94V-2
- COLOR: BLACK



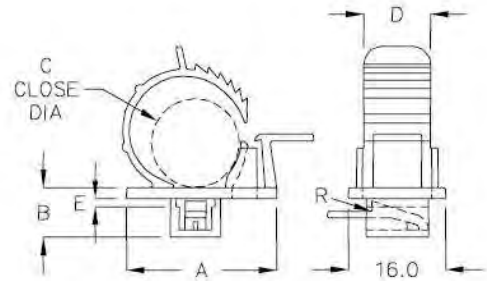
PART NO	A	B	C CLOSE DIA	D	E	ASSEMBLE WITH P.G. PART	PACKAGE
FYB-15NK	22.7	8.1	∅11.5~∅15.3	11.0	1.3	YJA-85, YJA-85KT, YJB-100 YJC-64C, YJC-64MK, YJF-94 YJF-116KH, YJK-84R, YJL-83M YJM-84K, YJQ-100A, YJR-86A YJS-87C, PSK-110AC	100

ASSEMBLE WITH P.G PART YJA-SERIES, YJB-SERIES, YJC-SERIES, YJF-SERIES, YJK-SERIES, YJL-SERIES, YJM-SERIES, YJQ-SERIES, YJR-SERIES, YJS-SERIES or PSK-SERIES (Page 12-6-2, 12-7, 12-8-1, 12-9, 12-11, 12-12, 12-13)



電源線固定座 POWER CORD MOUNTING — 12-15-2

- MATERIAL: NYLON 66(UL)
- FLAME CLASS: 94V-2
- COLOR: BLACK



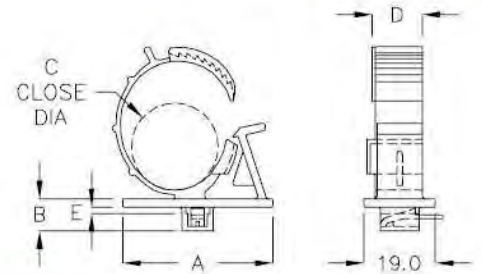
PART NO	A	B	C CLOSE DIA	D	E	R	ASSEMBLE WITH P.G. PART	PACKAGE
FWM-15QL	20.5	8.3	∅11.5~∅15.3	11.0	1.3	R0.1	YJP-86HC	100
FYA-15KC	24.8	8.1	∅11.5~∅15.3	11.0	1.35	R0.2	YJA-85, YJA-85KT, YJB-100 YJC-64C, YJC-64MK, YJF-94 YJF-116KH, YJK-84R, YJL-83M YJM-84K, YJQ-100A, YJR-86A YJS-87C, PSK-110AC	
FYA-15TR	24.8	8.1	∅11.5~∅15.3	11.0	1.3	R0.1		

ASSEMBLE WITH P.G PART YJA-SERIES, YJB-SERIES, YJC-SERIES, YJF-SERIES, YJK-SERIES, YJL-SERIES, YJM-SERIES, YJP-SERIES, YJQ-SERIES, YJR-SERIES, YJS-SERIES or PSK-SERIES (Page 12-6-2, 12-7, 12-8, 12-9, 12-11, 12-12, 12-13)



電源線固定座 POWER CORD MOUNTING — 12-16-1

- MATERIAL: NYLON 66(UL)
- FLAME CLASS: 94V-2
- COLOR: BLACK



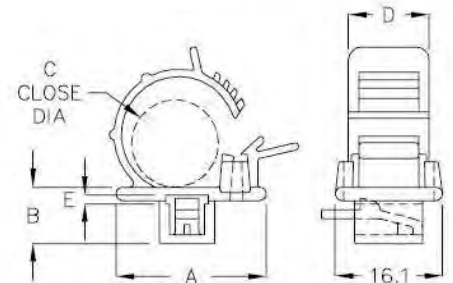
PART NO	A	B	C CLOSE DIA	D	E	ASSEMBLE WITH P.G. PART	PACKAGE
FWM-26SA	39.9	8.5	∅21.0~∅26.5	13.3	1.65	YJA-85PD, YJH-125 YJH-180HG, YJW-85F PSF-85	100

ASSEMBLE WITH P.G PART YJA-SERIES, YJH-SERIES, YJW-SERIES, PSF-SERIES.
(Page 12-6-2, 12-10, 12-14-1)



電源線固定座 POWER CORD MOUNTING — 12-16-2

- MATERIAL: NYLON 66(UL)
- FLAME CLASS: 94V-2
- COLOR: BLACK



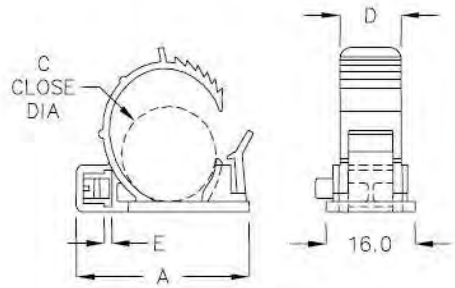
PART NO	A	B	C CLOSE DIA	D	E	ASSEMBLE WITH P.G. PART	PACKAGE
FYD-13K	22.5	8.4	∅11.0~∅13.0	12.1	1.3	YJA-85, YJA-85KT, YJB-100 YJC-64C, YJC-64MK, YJF-94 YJF-116KH, YJK-84R, YJL-83M	100
★ FYDA-13C	22.5	8.45	∅11.0~∅13.0	12.0	1.35	YJM-84K, YJQ-100A, YJR-86A YJS-87C, PSK-110AC	

ASSEMBLE WITH P.G PART YJA-SERIES, YJB-SERIES, YJC-SERIES, YJF-SERIES, YJK-SERIES,
YJL-SERIES, YJM-SERIES, YJQ-SERIES, YJR-SERIES, YJS-SERIES or PSK-SERIES
(Page 12-6-2, 12-7, 12-8-1, 12-9, 12-11, 12-12, 12-13)



電源線固定座 POWER CORD MOUNTING — 12-17-1

- MATERIAL: NYLON 66(UL)
- FLAME CLASS: 94V-2
- COLOR: BLACK



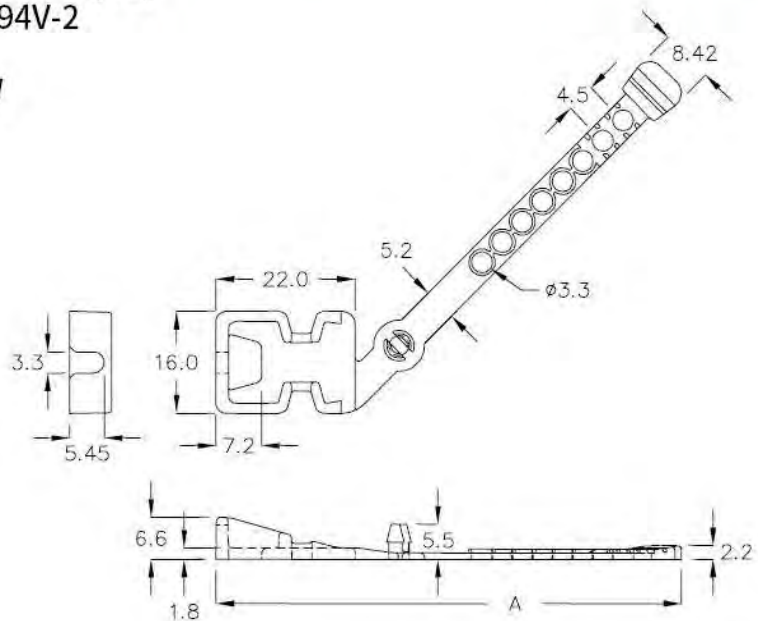
PART NO	A	C CLOSE DIA	D	E	ASSEMBLE WITH P.G. PART	PACKAGE
FYL-17C	31.1	∅15.0~∅17.0	11.0	1.35	YJA-85, YJA-85KT, YJB-100 YJC-64C, YJC-64MK, YJF-94 YJF-116KH, YJK-84R, YJL-83M YJM-84K, YJQ-100A, YJR-86A YJS-87C, PSK-110AC	100

ASSEMBLE WITH P.G. PART YJA-SERIES, YJB-SERIES, YJC-SERIES, YJF-SERIES, YJK-SERIES, YJL-SERIES, YJM-SERIES, YJQ-SERIES, YJR-SERIES, YJS-SERIES or PSK-SERIES
(Page 12-6-2, 12-7, 12-8-1, 12-9, 12-11, 12-12, 12-13)



電源線固定座 POWER CORD MOUNTING — 12-17-2

- MATERIAL: NYLON 66(UL)
- FLAME CLASS: 94V-2
- COLOR: BLACK
- USE M3 SCREW

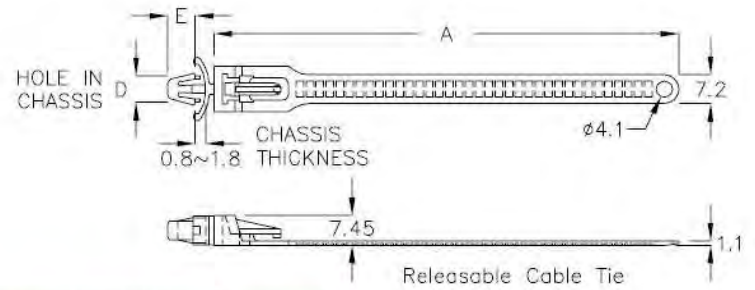


PART NO	A	SUITABLE BUNDLE DIA	PACKAGE
YAT-83A	83.06	∅8.0~∅16.0	100



電線束線帶 MOUNTING CABLE TIE ———— 12-18-1

- MATERIAL: NYLON 66(UL)
- FLAME CLASS: 94V-2
- COLOR: NATURAL

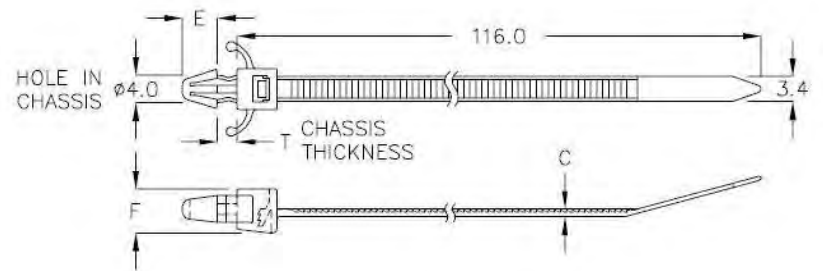


PART NO	A	D HOLE IN CHASSIS	E	APPROX LENGTH	APPROX WIDTH	MAX BUNDLE DIA	PACKAGE
YAA-118	117.4	∅6.5	7.1	129(5.08")	7.2(0.284")	28.5(1.125")	100
YAA-150	150.0	∅3.8	5.0	160(6.30")	7.2(0.284")	40.0(1.575")	

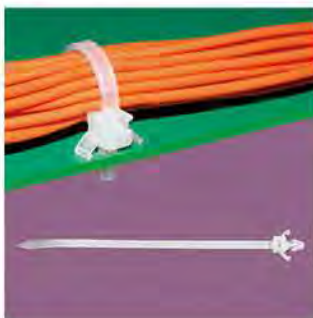


電線束線帶 MOUNTING CABLE TIE ———— 12-18-2

- MATERIAL: NYLON 66(UL)
- FLAME CLASS: 94V-2
- COLOR: NATURAL



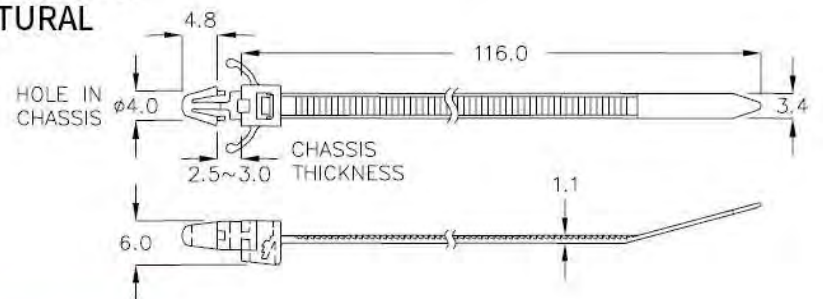
PART NO	C	E	F	T CHASSIS THICKNESS	APPROX LENGTH	APPROX WIDTH	MAX BUNDLE DIA	PACKAGE
YJ-123	1.1	4.35	6.8	0.8~2.0	123(4.84")	3.4(0.13")	25.4(1.00")	500
YJ-123TK	1.3	4.8	6.0	2.0~2.5	123(4.84")	3.4(0.13")	25.4(1.00")	



電源線固定帶 CABLE TIE ———— 12-18-3

- MATERIAL: NYLON 66(UL)
- FLAME CLASS: 94V-2
- COLOR: NATURAL

NEW



PART NO	APPROX LENGTH	APPROX WIDTH	MAX BUNDLE DIA	PACKAGE
★ YJ-123HR	123.6(4.86")	3.4(0.13")	25.4(1.00")	500

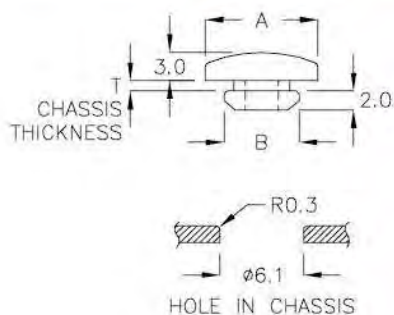


墊座 SILICONE RUBBER FOOT

9-7-1

- MATERIAL: SILICONE
- COLOR: BLACK

PART NO	A	B	T CHASSIS THICKNESS	PACKAGE
GMC-3RF	∅12.0	∅8.0	1.2	2000

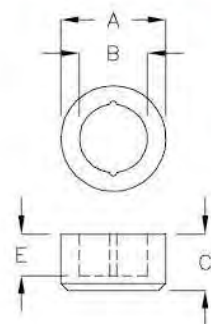


墊座 RUBBER FOOT

9-7-2

- MATERIAL: PU
- COLOR: BLACK

PART NO	A	B	C	E	PACKAGE
LGA-01	∅15.0	∅9.7	8.0	5.9	500
LGA-02	∅15.0	∅9.7	8.5	6.2	

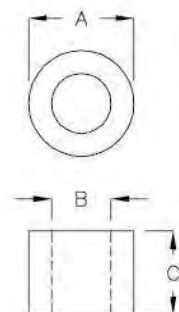


墊座 SILICONE RUBBER FOOT

9-7-3

- MATERIAL: SILICONE
- COLOR: BLACK

PART NO	A	B	C	PACKAGE
C120609A	∅12.0	∅6.8	9.5	2000

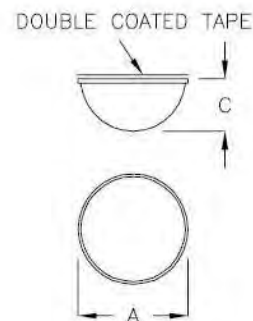




墊座 SILICONE RUBBER FOOT

9-8-1

- MATERIAL: SILICONE
- COLOR: BLACK
- ADHESIVE TAPE: 3M or EQUIVALENT



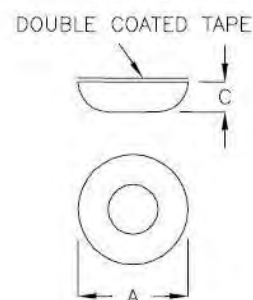
PART NO	A	C	PACKAGE
S0603	ø6.3	3.0	3200
S0702	ø7.0	2.0	3000
S0803D	ø8.0	3.5	
S0904	ø8.8	3.6	1000
S0904MF	ø8.8	4.3	
S1105	ø10.7	5.2	
S1106	ø11.0	6.0	
S1608	ø15.7	8.0	



墊座 SILICONE RUBBER FOOT

9-8-2

- MATERIAL: SILICONE
- COLOR: BLACK,GRAY
- ADHESIVE TAPE: 3M or EQUIVALENT



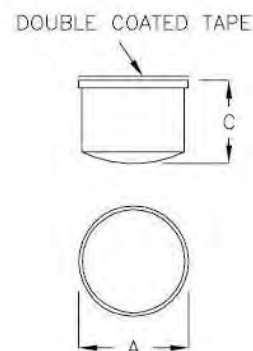
PART NO	A	C	PACKAGE
★ S1303K	ø13.0	3.35	500
★ S1303NH	ø13.0	3.55	



墊座 SILICONE RUBBER FOOT

9-8-3

- MATERIAL: SILICONE
- COLOR: BLACK
- ADHESIVE TAPE: 3M or EQUIVALENT



PART NO	A	C	PACKAGE
U0802F	ø8.0	2.6	2000
U0802KM	ø8.0	2.4	1000
U1815	ø18.0	14.5	500

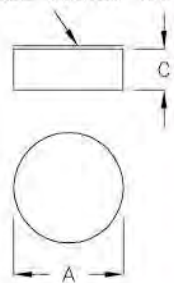
墊座 SILICONE RUBBER FOOT 9-9-1



- * MATERIAL: SILICONE
- * COLOR: BLACK
- * ADHESIVE TAPE: 3M or EQUIVALENT
- * ACCEPTABLE FOR CUSTOMIZED REQUEST

◎ 我司可接受特別尺寸訂購

DOUBLE COATED TAPE



PART NO	A	C	PACKAGE
R0301A	ø3.8	0.5	2000
R0401	ø4.0	1.0	
R0402	ø4.0	1.8	
R0501	ø4.8	1.0	
R0501A	ø5.0	1.5	
R0502	ø5.0	1.8	
R0502J	ø5.0	2.4	
R0503A	ø5.0	3.5	
R0601	ø5.7	1.0	
R0602	ø6.0	1.5	
R0602A	ø6.0	2.0	
R0602C	ø6.0	2.5	
R0603	ø6.0	3.0	
R0603S	ø6.4	2.6	
R0702F	ø6.5	2.0	
R0703A	ø6.5	3.2	
R0701J	ø7.0	1.0	
R0702C	ø7.0	2.0	
R0702A	ø7.0	2.2	
R0703	ø7.0	3.0	
R0701K	ø7.5	0.65	
R0801C	ø8.0	0.7	
R0801	ø8.0	1.0	
R0802H	ø8.0	1.5	
R0802	ø8.0	1.8	

PART NO	A	C	PACKAGE
R0802C	ø8.0	2.0	2000
R0802P	ø8.0	2.2	
R0803S	ø8.0	2.6	
R0803C	ø8.0	3.0	
R0803	ø8.0	3.2	
R0803F	ø8.0	3.4	
R0803D	ø8.0	3.5	
R0802L	ø8.2	2.0	
R0802K	ø8.5	2.0	
R0902C	ø9.0	2.0	
R0901	ø9.5	1.5	
R0902A	ø9.5	2.0	
R1001K	ø10.0	0.65	
R1001	ø10.0	1.0	
R1002	ø10.0	2.0	
R1002C	ø10.0	2.5	
R1003C	ø10.0	3.0	
R1003A	ø10.0	3.3	
R1202A	ø12.0	2.0	
R1202D	ø12.0	2.5	
R1202	ø12.7	2.0	
R1202C	ø12.7	2.5	
R1501	ø15.0	1.0	
R1502C	ø15.0	2.0	
R2103	ø21.0	3.0	
R2802M	ø28.0	2.5	

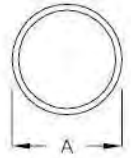
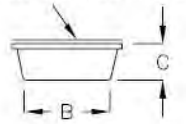


墊座 SILICONE RUBBER FOOT

9-10-1

- * MATERIAL: SILICONE
 - * COLOR: BLACK
 - * ADHESIVE TAPE: 3M or EQUIVALENT
 - * ACCEPTABLE FOR CUSTOMIZED REQUEST
- ◎ 我司可接受特別尺寸訂購

DOUBLE COATED TAPE



PART NO	A	B	C	PACKAGE
R0805	ø8.2	ø6.6	5.0	2000
R0806A	ø8.0	ø7.3	6.0	
R0808	ø8.0	ø7.04	8.0	
R0903	ø9.5	ø8.5	3.7	
R0906C	ø9.5	ø7.75	6.1	
R1003	ø10.9	ø10.0	3.0	
R1008	ø10.0	ø8.8	8.0	1000
R1105	ø10.9	ø9.7	5.0	2000
R1204A	ø11.7	ø7.0	4.0	
R1205	ø12.0	ø11.0	5.0	

PART NO	A	B	C	PACKAGE
R1302A	ø12.7	ø11.7	2.0	2000
R1303	ø12.6	ø10.0	3.5	
R1304	ø12.7	ø11.5	4.0	
R1305	ø12.7	ø10.6	4.7	
R1306	ø12.7	ø10.3	6.2	1000
R1307A	ø12.7	ø10.1	7.35	500
R1511	ø15.0	ø13.5	11.0	
R1904	ø19.0	ø15.5	4.2	
R1907	ø19.0	ø17.0	7.0	

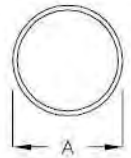
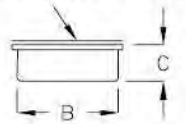
墊座 SILICONE RUBBER FOOT

9-10-2



- * MATERIAL: SILICONE
 - * COLOR: BLACK
 - * ADHESIVE TAPE: 3M or EQUIVALENT
 - * ACCEPTABLE FOR CUSTOMIZED REQUEST
- ◎ 我司可接受特別尺寸訂購

DOUBLE COATED TAPE



PART NO	A	B	C	PACKAGE
R0401D	ø4.5	ø4.0	1.7	2000
R0402ADK	ø4.5	ø4.0	2.5	
R0404	ø4.0	ø3.7	4.5	
R0502KM	ø5.0	ø4.7	2.0	
R0502LK	ø5.5	ø5.2	2.2	
R0504	ø5.8	ø5.4	4.0	
R0603H	ø6.0	ø5.5	3.0	
R0603C	ø6.8	ø6.6	3.1	
R0605	ø6.0	ø5.7	5.2	
R0703C	ø7.0	ø6.8	3.2	
R0704K	ø7.0	ø6.5	4.0	
R0705A	ø7.0	ø6.7	4.6	
R0801LM	ø8.0	ø7.4	1.8	
R0802PQ	ø8.0	ø7.5	2.0	
R0803HD	ø8.0	ø7.5	2.6	

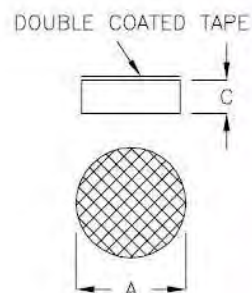
PART NO	A	B	C	PACKAGE
R0803GQ	ø8.0	ø7.5	3.0	2000
R0803MK	ø8.0	ø7.7	3.5	
R0804	ø8.0	ø7.8	3.7	1000
R0804A	ø8.0	ø7.8	4.5	
R0804F	ø8.5	ø8.0	4.0	2000
R0903S	ø9.4	ø9.0	3.2	
R1004	ø9.7	ø9.4	4.2	
R0910A	ø9.0	ø8.8	10.2	500
R1004C	ø10.5	ø10.5	4.5	1000
R1005D	ø10.0	ø9.7	5.5	
R1009A	ø10.0	ø9.8	9.4	500
R1011	ø10.0	ø9.0	11.5	
R1505	ø15.4	ø14.9	5.1	
R1507	ø15.0	ø14.4	7.0	
R2210	ø22.0	ø21.7	10.4	



墊座 SILICONE RUBBER FOOT 9-11-1

- MATERIAL: SILICONE
- COLOR: BLACK
- ADHESIVE TAPE: 3M or EQUIVALENT

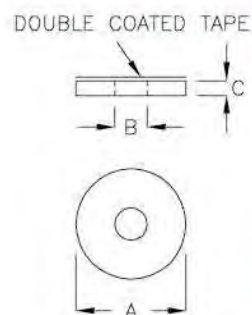
PART NO	A	C	PACKAGE
RX0902	ø9.0	2.0	2000
RX1003	ø10.0	3.0	
RX1203	ø12.0	3.0	
RX1202	ø12.5	2.0	1000
RX1502	ø15.0	2.0	
RX2503	ø25.0	3.0	



墊座 SILICONE RUBBER FOOT 9-11-2

- MATERIAL: SILICONE
- COLOR: BLACK
- ADHESIVE TAPE: 3M or EQUIVALENT

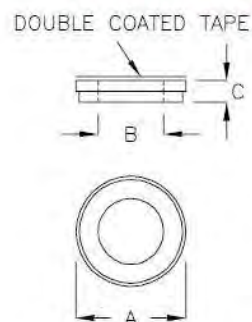
PART NO	A	B	C	PACKAGE
C060301	ø6.0	ø3.0	1.0	2000
C060302	ø6.0	ø3.0	2.0	
C070301	ø7.0	ø3.0	1.0	
C080401C	ø8.0	ø4.7	0.9	
C090202A	ø9.0	ø2.5	2.5	
C100501	ø10.0	ø5.0	1.0	
C120206	ø12.0	ø6.0	2.5	1000
C190603	ø18.9	ø5.6	2.54	
C311303	ø31.5	ø13.0	3.0	50



墊座 SILICONE RUBBER FOOT 9-11-3

- MATERIAL: SILICONE
- COLOR: BLACK, WHITE
- ADHESIVE TAPE: 3M or EQUIVALENT

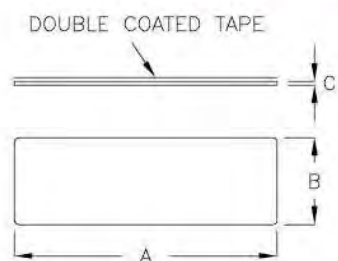
PART NO	A	B	C	PACKAGE
WRX-3C	ø5.0	ø3.0	1.0	2000
WRX-6MT	ø12.0	ø6.0	2.5	1000



墊座 SILICONE RUBBER FOOT 9-11-4

- MATERIAL: SILICONE
- COLOR: BLACK
- ADHESIVE TAPE: 3M or EQUIVALENT

PART NO	A	B	C	PACKAGE
L1193901M	119.0	39.0	0.5	500





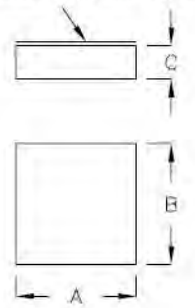
墊座 SILICONE RUBBER FOOT

9-12-1

- MATERIAL: SILICONE
- COLOR: BLACK
- ADHESIVE TAPE: 3M or EQUIVALENT
- *ACCEPTABLE FOR CUSTOMIZED REQUEST

© 我司可接受特別尺寸訂購

DOUBLE COATED TAPE



PART NO	A	B	C	PACKAGE
L040401	4.0	4.0	1.0	2000
L040402	4.0	4.0	2.0	
L040402A	4.0	4.0	2.5	
L040403	4.0	4.0	3.0	
L040404	4.0	4.0	4.0	
L050302	5.0	3.0	2.5	
L050501KM	5.0	5.0	1.0	
L050502	5.0	5.0	2.0	
L050502C	5.0	5.0	2.5	
L050503	5.0	5.0	3.0	
L050504	5.0	5.0	4.0	
L050506	5.0	5.0	6.5	
L060201C	6.0	2.0	1.5	
L060602D	6.0	6.0	2.0	
L060602A	6.0	6.0	2.5	
L060603	6.0	6.0	3.0	
L060604	6.0	6.0	4.0	
L070707	6.5	6.5	6.5	
L080202C	8.0	2.5	2.2	
L080203	8.0	2.5	3.0	
L080403	8.0	4.0	3.5	
L080405	8.0	4.0	5.0	
L080602A	8.0	6.0	2.3	
L080802	8.0	8.0	2.5	
L080803	8.0	8.0	3.5	
L080804	8.0	8.0	4.0	
L080805	8.0	8.0	5.0	
L080806	8.0	8.0	6.0	
L080809	8.0	8.0	9.0	
L080811	8.0	8.0	11.5	
L100502A	10.0	5.0	2.5	
L100503A	10.0	5.0	3.5	
L100505	10.0	5.0	5.0	
L100705	10.0	7.0	5.0	
L100801A	10.0	8.0	1.8	
L100802	10.0	8.0	2.5	
L100805	10.0	8.0	5.0	
L101001	10.0	10.0	1.0	
L101002	10.0	10.0	2.5	
L101003A	10.0	10.0	3.0	

PART NO	A	B	C	PACKAGE
L101003	10.0	10.0	3.5	2000
L101004	10.0	10.0	4.0	
L101004A	10.0	10.0	4.6	
L101005	10.0	10.0	5.0	
L120802	12.0	8.0	2.5	
L120803	12.0	8.0	3.5	
L121003	12.0	10.0	3.5	
L121202	12.0	12.0	2.5	
L121203	12.0	12.0	3.5	
L121204	12.0	12.0	4.0	
L121205	12.0	12.0	5.0	
L150508	15.0	5.0	0.8	
L150603	15.0	6.0	3.0	
L150803	15.0	8.0	3.0	
L151005	15.0	10.0	5.0	
L160805	16.0	8.0	5.0	
L180802	18.0	8.0	2.5	
L180803	18.0	8.0	3.5	
L180804	18.0	8.0	4.0	
L180805	18.0	8.0	5.0	
L181003	18.0	10.0	3.5	
L181004	18.0	10.0	4.0	
L181005	18.0	10.0	5.0	
L181202	18.0	12.0	2.5	
L181204	18.0	12.0	4.0	
L181205	18.0	12.0	5.0	
L181802	18.0	18.0	2.5	
L181803	18.0	18.0	3.5	
L181804	18.0	18.0	4.0	
L181805	18.0	18.0	5.0	
L201002S	20.0	10.0	2.5	1000
L201008	20.0	10.0	8.0	
L251501	25.0	15.0	1.5	500
L281901M	28.5	19.0	0.5	
L303008	30.0	30.0	8.0	
L351002	35.0	10.0	2.3	
L400602A	40.0	6.4	2.0	
L454504	45.0	45.0	4.0	
L602005	60.0	20.0	5.0	
L18004003	180.0	40.0	3.0	
L3300702A	330.8	7.2	2.0	

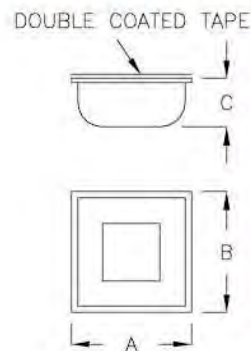


墊座 SILICONE RUBBER FOOT

9-13-1

- MATERIAL: SILICONE
- COLOR: BLACK
- ADHESIVE TAPE: 3M or EQUIVALENT

PART NO	A	B	C	PACKAGE
Q202008	20.4	20.4	8.0	500
Q381015C	38.0	10.5	14.5	200
Q381410C	38.0	14.5	10.5	500

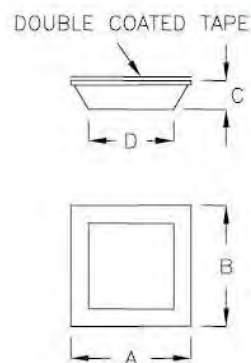


墊座 SILICONE RUBBER FOOT

9-13-2

- MATERIAL: SILICONE
- COLOR: BLACK
- ADHESIVE TAPE: 3M or EQUIVALENT

PART NO	A	B	C	D	PACKAGE
T110803	10.5	10.5	3.0	8.0	2000
T130706	12.7	12.7	6.0	6.8	
T130903	12.7	12.7	3.0	9.0	
T131003	12.7	12.7	3.1	10.0	
T202023	20.0	20.0	23.0	17.8	500
T211308	20.5	20.5	7.6	12.3	

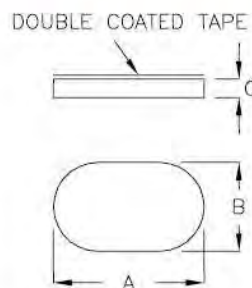


墊座 SILICONE RUBBER FOOT

9-13-3

- MATERIAL: SILICONE
- COLOR: BLACK
- ADHESIVE TAPE: 3M or EQUIVALENT

PART NO	A	B	C	PACKAGE
GLQ-2K	18.4	6.4	2.0	2000
GLQ-12	12.0	4.5	1.2	
GLQ-16	16.0	8.0	2.0	
GLQ-16A	16.0	8.0	2.5	

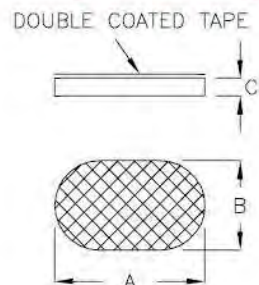


墊座 SILICONE RUBBER FOOT

9-13-4

- MATERIAL: SILICONE
- COLOR: BLACK
- ADHESIVE TAPE: 3M or EQUIVALENT

PART NO	A	B	C	PACKAGE
GLQ-19	19.4	7.4	1.2	2000
★ GLQ-3H	26.8	12.8	3.0	1000



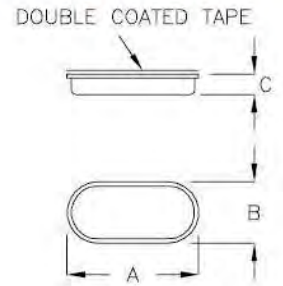


墊座 SILICONE RUBBER FOOT

9-14-1

- MATERIAL: SILICONE
- COLOR: BLACK
- ADHESIVE TAPE: 3M or EQUIVALENT

PART NO	A	B	C	PACKAGE
GLQ-13	13.0	6.0	2.0	2000
GLQ-3K	13.1	6.1	3.5	1000

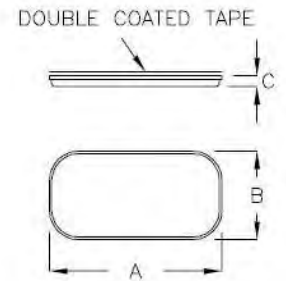


墊座 SILICONE RUBBER FOOT

9-14-2

- MATERIAL: SILICONE
- COLOR: BLACK
- ADHESIVE TAPE: 3M or EQUIVALENT

PART NO	A	B	C	PACKAGE
GLQ-2J	41.5	22.1	2.5	500

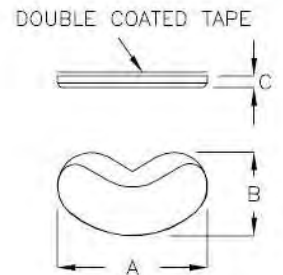


墊座 SILICONE RUBBER FOOT

9-14-3

- MATERIAL: SILICONE
- COLOR: BLACK
- ADHESIVE TAPE: 3M or EQUIVALENT

PART NO	A	B	C	PACKAGE
GLC-2A	37.05	20.5	2.5	1000

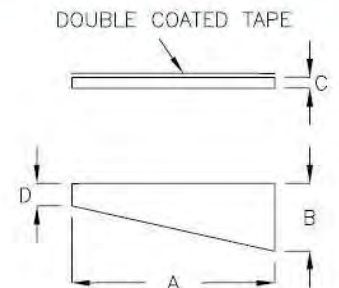


墊座 SILICONE RUBBER FOOT

9-14-4

- MATERIAL: SILICONE
- COLOR: BLACK
- ADHESIVE TAPE: 3M or EQUIVALENT

PART NO	A	B	C	D	PACKAGE
GTT-45	45.0	15.0	2.5	5.0	2000

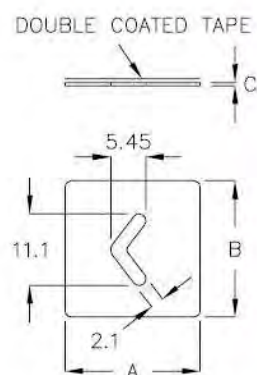




墊座 SILICONE RUBBER FOOT 9-15-1

- MATERIAL: SILICONE
- COLOR: BLACK
- ADHESIVE TAPE: 3M or EQUIVALENT

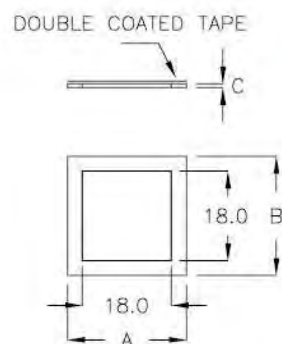
PART NO	A	B	C	D	PACKAGE
GXA-01	20.0	10.0	1.5	φ3.5	2000



墊座 SILICONE RUBBER FOOT 9-15-2

- MATERIAL: SILICONE
- COLOR: BLACK
- ADHESIVE TAPE: 3M or EQUIVALENT

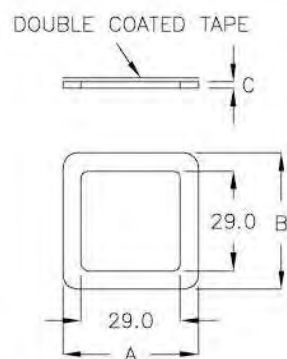
PART NO	A	B	C	PACKAGE
GSP-24	24.0	24.0	0.6	500



墊座 SILICONE RUBBER FOOT 9-15-3

- MATERIAL: SILICONE
- COLOR: BLACK
- ADHESIVE TAPE: 3M or EQUIVALENT

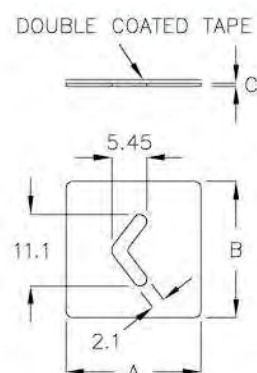
PART NO	A	B	C	PACKAGE
LDA-3901XB	39.6	39.6	1.9	400



墊座 SILICONE RUBBER FOOT 9-15-4

- MATERIAL: SILICONE
- COLOR: BLUE
- ADHESIVE TAPE: 3M or EQUIVALENT

PART NO	A	B	C	PACKAGE
GLD-21	21.0	21.0	0.5	500



10



拉柄

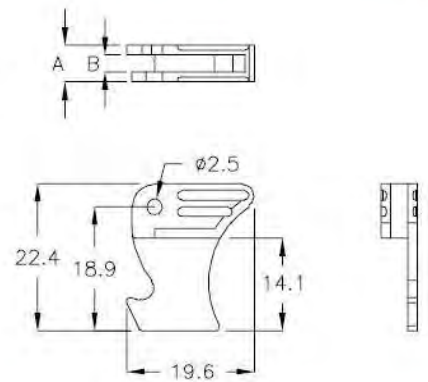
CIRCUIT BOARD EJECTOR



把手蓋 EJECTOR COVER | 10-2-1 |

- MATERIAL: ABS+PC
- FLAME CLASS: 94V-0
- COLOR: ORANGE

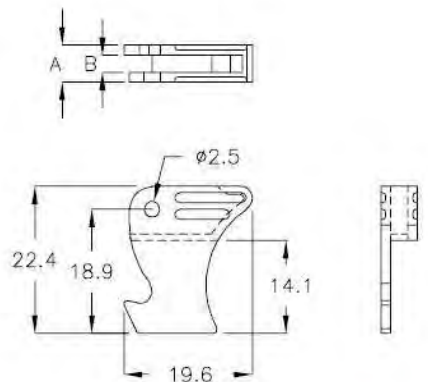
PART NO	A	B	PACKAGE
MKL-01	5.6	2.6	500



把手蓋 EJECTOR COVER | 10-2-2 |

- MATERIAL: ABS+PC
- FLAME CLASS: 94V-0
- COLOR: BLACK

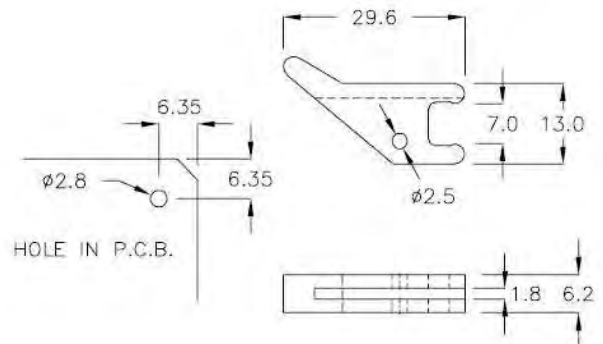
PART NO	A	B	PACKAGE
MKL-2A	5.6	2.6	500



拉柄 CIRCUIT BOARD EJECTOR | 10-2-3 |

- MATERIAL: POM(UL)
- FLAME CLASS: 94HB
- COLOR: NATURAL
- *WITH PIN
- 附 PIN

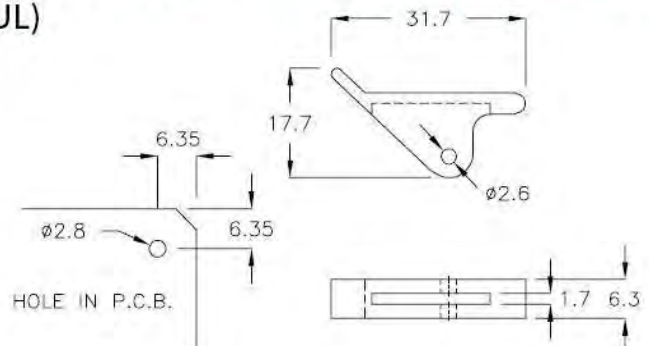
PART NO	PACKAGE
CP-10	200



拉柄 CIRCUIT BOARD EJECTOR | 10-2-4 |

- MATERIAL: NYLON 66(UL)
- FLAME CLASS: 94V-2
- COLOR: NATURAL
- *WITH PIN
- 附 PIN

PART NO	PACKAGE
CP-15	200

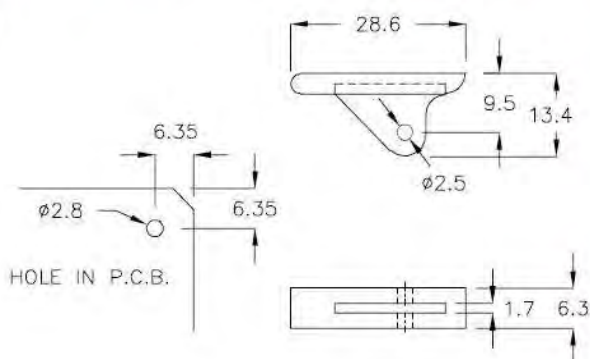




拉柄 CIRCUIT BOARD EJECTOR | 10-3-1 |

- MATERIAL: NYLON 66(UL)
- FLAME CLASS: 94V-2
- COLOR: NATURAL
- *WITH PIN
- 附 PIN

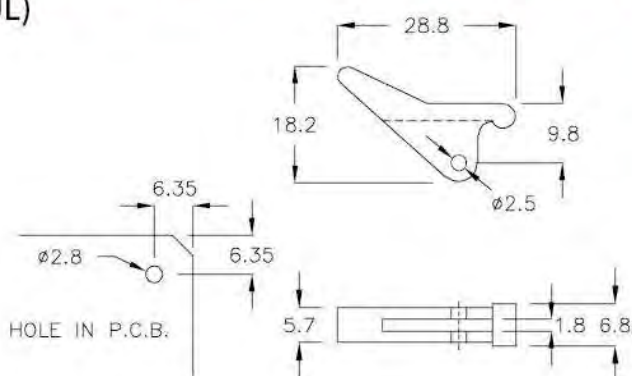
PART NO	PACKAGE
CP-20	200



拉柄 CIRCUIT BOARD EJECTOR | 10-3-2 |

- MATERIAL: NYLON 66(UL)
- FLAME CLASS: 94V-2
- COLOR: NATURAL
- *WITH PIN
- 附 PIN

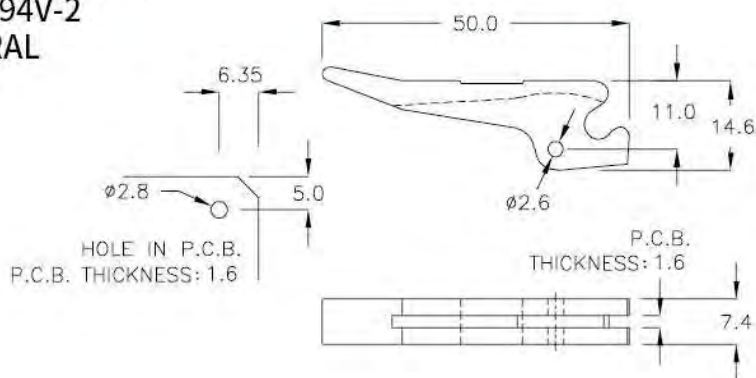
PART NO	PACKAGE
CP-25	200



拉柄 CIRCUIT BOARD EJECTOR | 10-3-3 |

- MATERIAL: NYLON 66(UL)
- FLAME CLASS: 94V-2
- COLOR: NATURAL
- *WITH PIN
- 附 PIN

PART NO	PACKAGE
CP-30	200

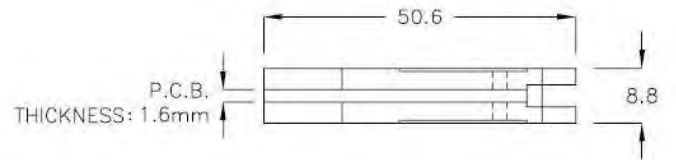
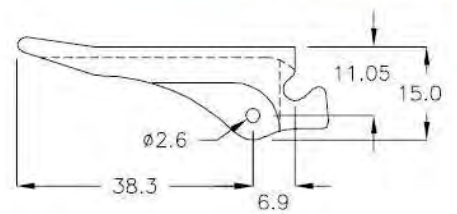




PART NO	PACKAGE
CP-31	200

拉柄 CIRCUIT BOARD EJECTOR 10-4-1

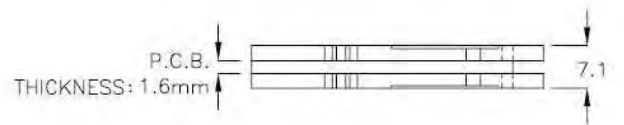
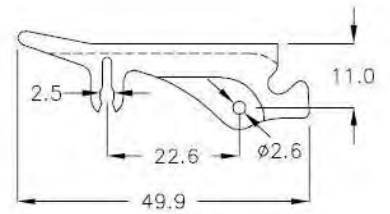
- MATERIAL: NYLON 66(UL)
- FLAME CLASS: 94V-2
- COLOR: NATURAL
- *WITH PIN
附 PIN



PART NO	PACKAGE
CP-31C	200

拉柄 CIRCUIT BOARD EJECTOR 10-4-2

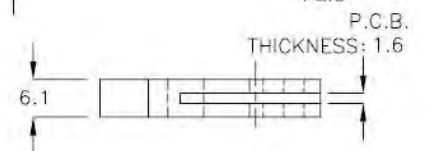
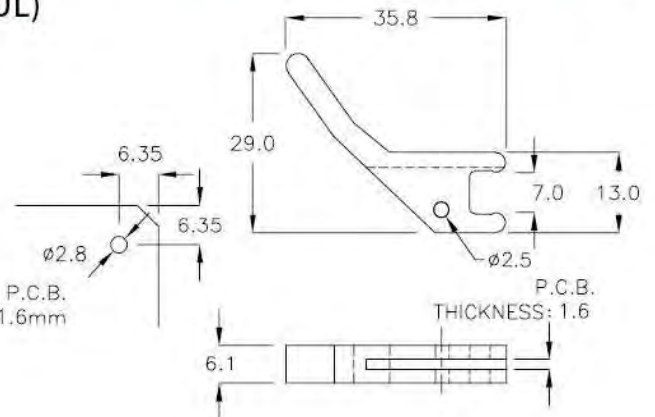
- MATERIAL: NYLON 66(UL)
- FLAME CLASS: 94V-2
- COLOR: NATURAL
- *WITH PIN
附 PIN



PART NO	PACKAGE
CP-32	200

拉柄 CIRCUIT BOARD EJECTOR 10-4-3

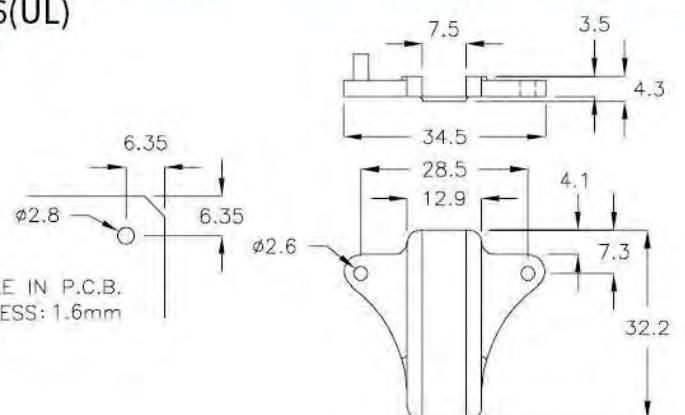
- MATERIAL: NYLON 66(UL)
- FLAME CLASS: 94V-2
- COLOR: NATURAL
- *WITH PIN
附 PIN



PART NO	PACKAGE
CP-33	500

拉柄 CIRCUIT BOARD EJECTOR 10-4-4

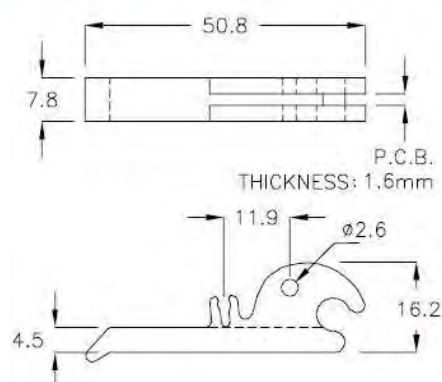
- MATERIAL: NYLON 66(UL)
- FLAME CLASS: 94V-2
- COLOR: NATURAL





拉柄 CIRCUIT BOARD EJECTOR 10-5-1

- MATERIAL: NYLON 66(UL)
- FLAME CLASS: 94V-2
- COLOR: NATURAL
- *WITH PIN
附 PIN

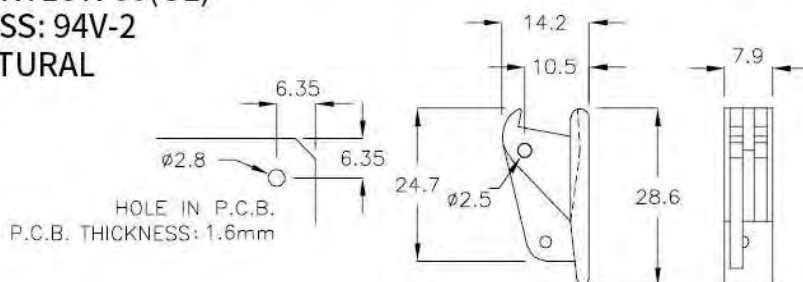


PART NO	PACKAGE
CP-034	200



拉柄 CIRCUIT BOARD EJECTOR 10-5-2

- MATERIAL: NYLON 66(UL)
- FLAME CLASS: 94V-2
- COLOR: NATURAL
- *WITH PIN
附 PIN

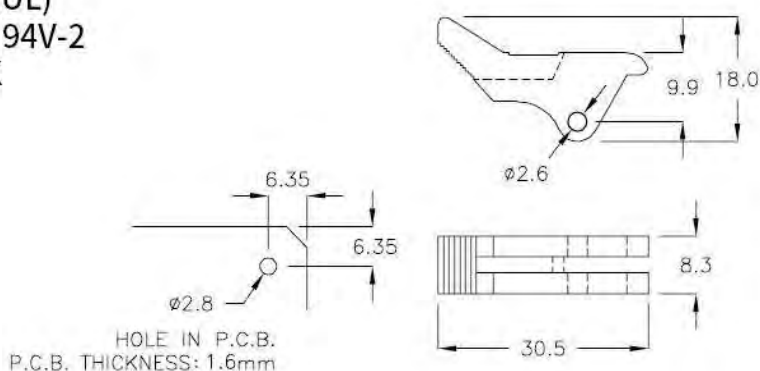


PART NO	PACKAGE
CP-35	200



拉柄 CIRCUIT BOARD EJECTOR 10-5-3

- MATERIAL: PC(UL)
- FLAME CLASS: 94V-2
- COLOR: BLACK
- *WITH PIN
附 PIN



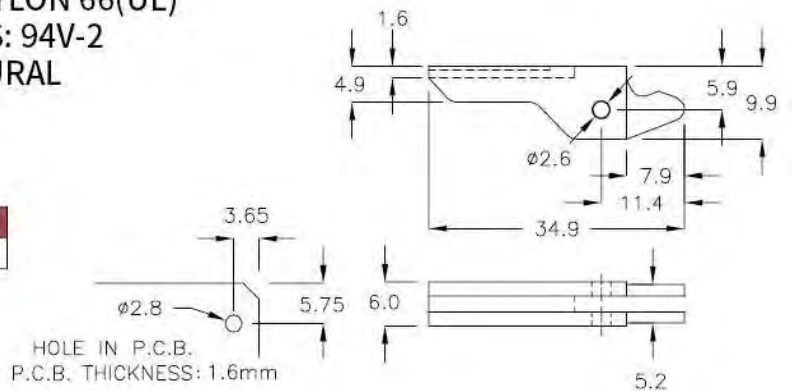
PART NO	PACKAGE
CP-36	200



拉柄 CIRCUIT BOARD EJECTOR 10-6-1

- MATERIAL: NYLON 66(UL)
- FLAME CLASS: 94V-2
- COLOR: NATURAL
- *WITH PIN
- 附 PIN

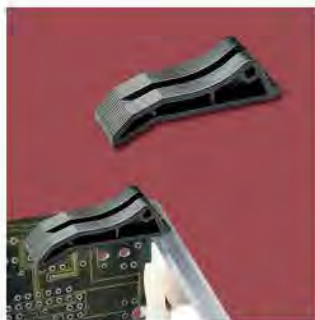
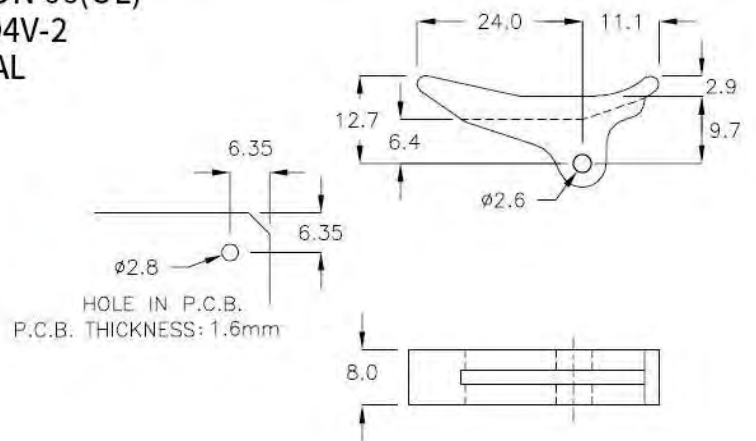
PART NO	PACKAGE
CP-37	200



拉柄 CIRCUIT BOARD EJECTOR 10-6-2

- MATERIAL: NYLON 66(UL)
- FLAME CLASS: 94V-2
- COLOR: NATURAL
- *WITH PIN
- 附 PIN

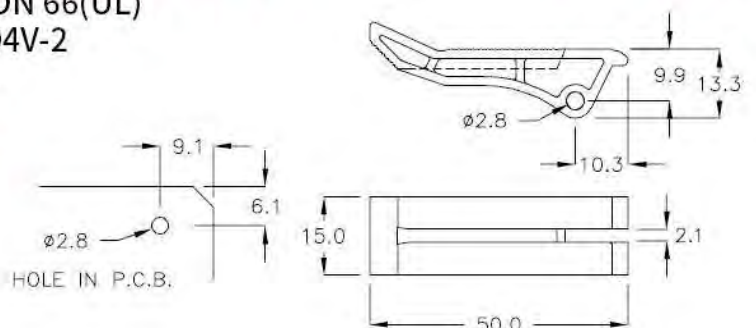
PART NO	PACKAGE
CP-39	200



拉柄 CIRCUIT BOARD EJECTOR 10-6-3

- MATERIAL: NYLON 66(UL)
- FLAME CLASS: 94V-2
- COLOR: BLACK

PART NO	PACKAGE
CP-50D	200

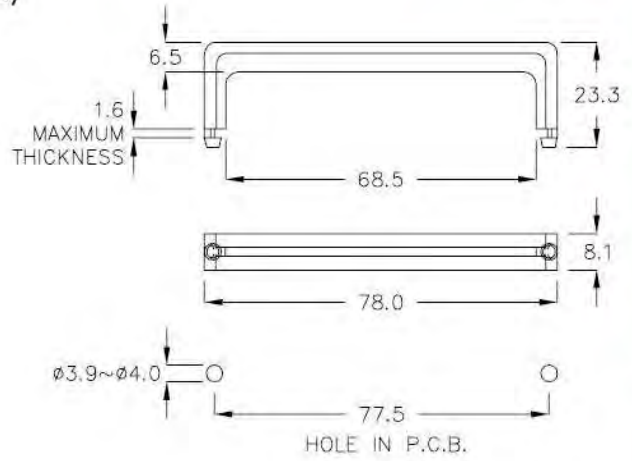




拉柄 CIRCUIT BOARD EJECTOR 10-7-1

- MATERIAL: NYLON 66(UL)
- FLAME CLASS: 94V-2
- COLOR: NATURAL

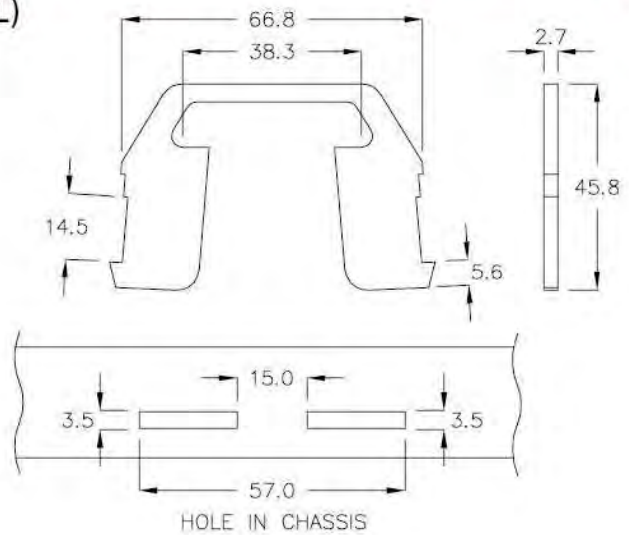
PART NO	PACKAGE
CP-50	100



拉柄 CIRCUIT BOARD EJECTOR 10-7-2

- MATERIAL: NYLON 66(UL)
- FLAME CLASS: 94V-2
- COLOR: NATURAL

PART NO	PACKAGE
CP-60	100



11



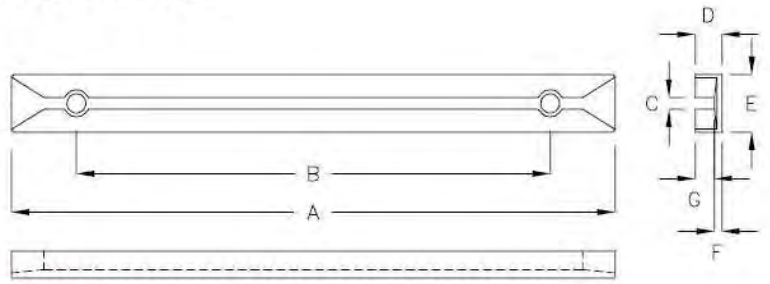
導槽

P.C.B GUIDE RAIL



印刷電路板導槽 PCB GUIDE RAIL 11-2-1

- MATERIAL: NYLON 66(UL)
- FLAME CLASS: 94V-2
- COLOR: NATURAL
- USE M3x6 FLAT HEAD SCREW

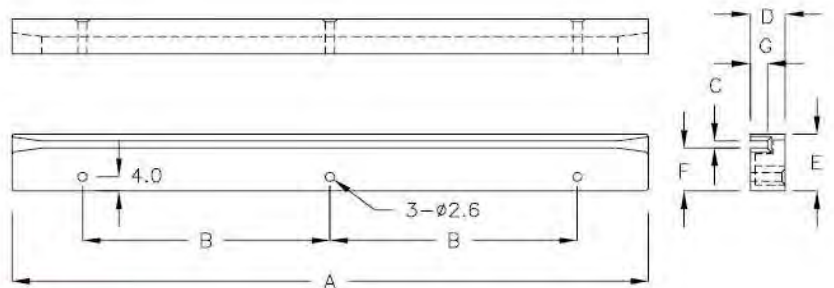


PART NO	A	B	C	D	E	F	G	PACKAGE
CG-9	89.0	64.5	1.9	4.5	9.8	1.5	3.0	100
CG-9AS	100.0	77.4	2.2	7.2	10.0	1.7	5.5	
CG-9L	91.0	67.0	1.9	8.8	9.2	1.6	7.2	
CG-12	119.0	94.5	1.6	4.5	9.8	1.5	3.0	
CG-12F	119.0	94.5	1.9	4.5	9.8	1.5	3.0	
CG-14	139.8	114.5	1.9	4.3	9.7	1.5	2.8	
CG-16	158.7	135.0	1.9	4.3	9.7	1.5	2.8	
CG-18	180.0	150.0	3.5	9.0	12.0	3.0	6.0	



印刷電路板導槽 PCB GUIDE RAIL 11-2-2

- MATERIAL: NYLON 66(UL)
- FLAME CLASS: 94V-2
- COLOR: NATURAL

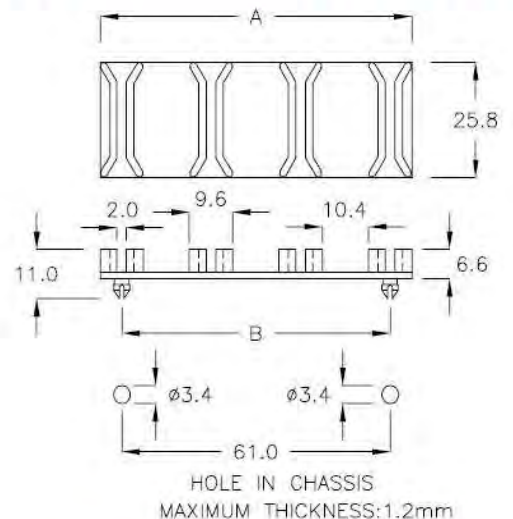


PART NO	A	B	C	D	E	F	G	PACKAGE
CF-180	180.5	70.0	2.0	10.0	16.0	12.0	5.0	50

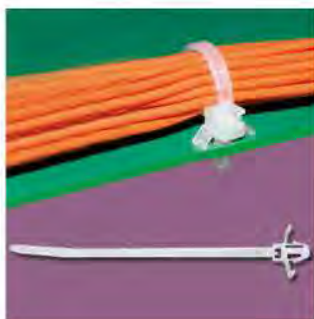


印刷電路板導槽 PCB GUIDE RAIL 11-2-3

- MATERIAL: NYLON 66(UL)
- FLAME CLASS: 94V-2
- COLOR: NATURAL
- NO EXTRA SCREW NEEDED

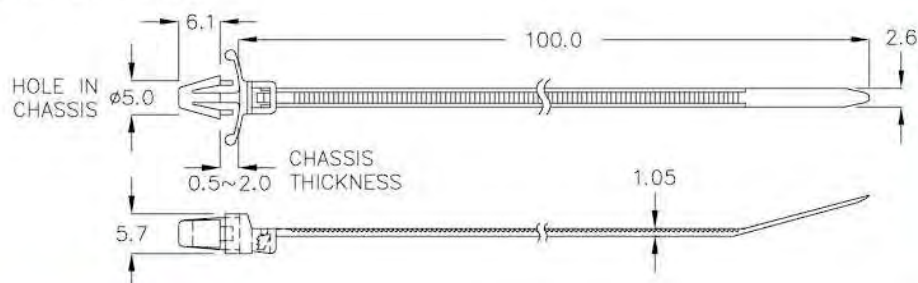


PART NO	A	B	PACKAGE
CG-2Ax4	70.5	61.0	50



電線束線帶 MOUNTING CABLE TIE ———— | 12-19-1 |

- MATERIAL: NYLON 66(UL)
- FLAME CLASS: 94V-2
- COLOR: NATURAL

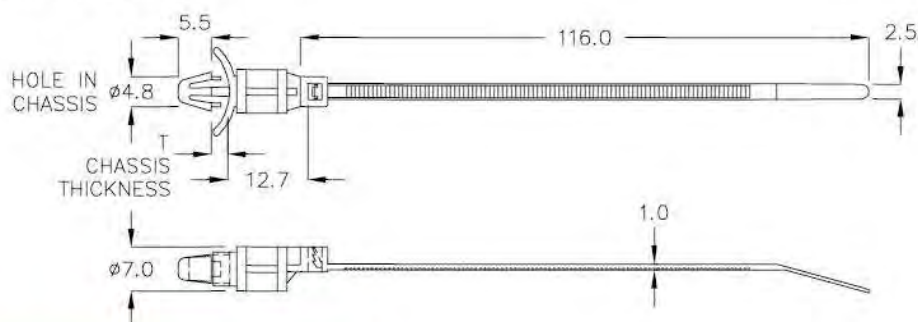


PART NO	APPROX LENGTH	APPROX WIDTH	MAX BUNDLE DIA	PACKAGE
YJ-99T	108(4.25")	2.6(0.10")	22.0(0.86")	500



電線束線帶 MOUNTING CABLE TIE ———— | 12-19-2 |

- MATERIAL: NYLON 66(UL)
- FLAME CLASS: 94V-2
- COLOR: NATURAL

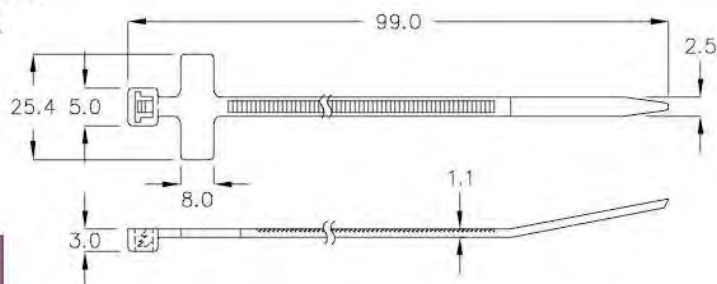


PART NO	APPROX LENGTH	APPROX WIDTH	MAX BUNDLE DIA	T CHASSIS THICKNESS	PACKAGE
YJ-138T	114.8(4.52")	2.5(0.10")	25.4(1.00")	0.6~2.0	500



電線束線帶 MARKER TIE ———— | 12-19-3 |

- MATERIAL: NYLON 66(UL)
- FLAME CLASS: 94V-2
- COLOR: NATURAL

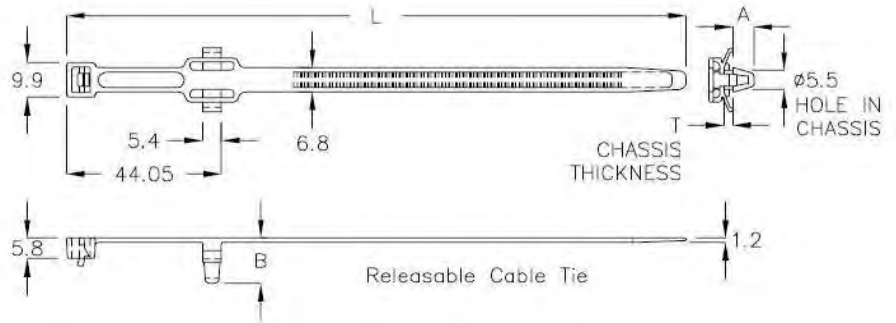


PART NO	APPROX LENGTH	APPROX WIDTH	MAX BUNDLE DIA	PACKAGE
MCT-98	99(3.86")	2.5(0.10")	21.0(0.81")	500



電線束線帶 MOUNTING CABLE TIE ———— | 12-20-1 |

- MATERIAL: NYLON 66(UL)
- FLAME CLASS: 94V-0
- COLOR: BLACK

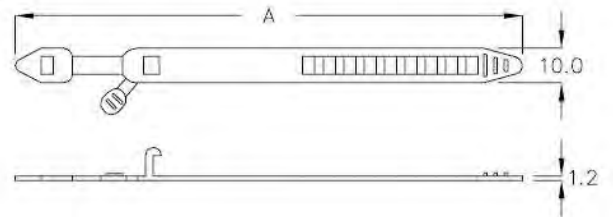


PART NO	A	B	L	APPROX WIDTH	MAX BUNDLE DIA	T CHASSIS THICKNESS	PACKAGE
YAM-180MQ	6.0	12.8	180(7.09")	6.8(0.268")	45.0(1.772")	0.5~2.0	200
YAM-180RC	5.1	12.4	180(7.09")	6.8(0.268")	45.0(1.772")	2.3~2.5	



電源收線固定帶 STRAP TIE ———— | 12-20-2 |

- MATERIAL: PE
- COLOR: NATURAL, BLACK

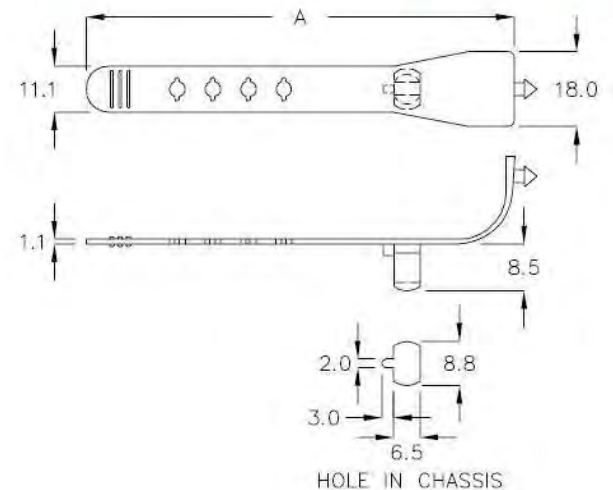


PART NO	A	SUITABLE BUNDLE DIA	PACKAGE
BST-1	138.8	∅10.0~∅27.0	500



電源收線固定帶 STRAP TIE ———— | 12-20-3 |

- MATERIAL: PE
- COLOR: BLACK

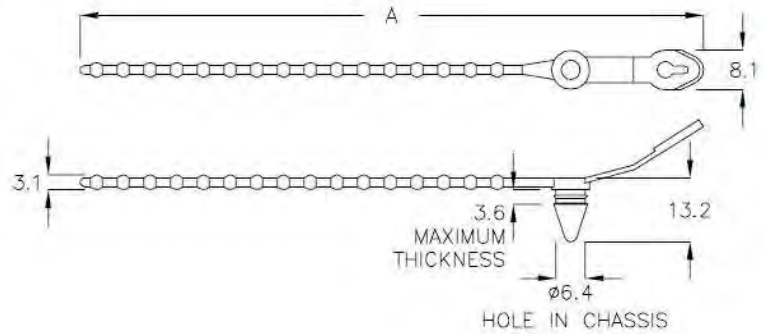


PART NO	A	PACKAGE
BST-2	103.6	200



電源收線固定帶 STRAP TIE | 12-21-1 |

- MATERIAL: NYLON 66(UL)
- FLAME CLASS: 94V-2
- COLOR: NATURAL, BLACK

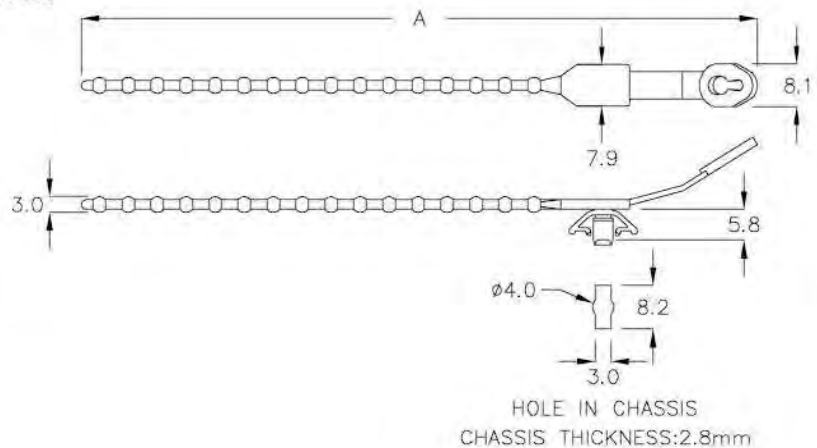


PART NO	A	SUITABLE BUNDLE DIA	PACKAGE
BST-3	129.0	φ15.0~φ35.0	500



電源收線固定帶 STRAP TIE | 12-21-2 |

- MATERIAL: NYLON 66(UL)
- FLAME CLASS: 94V-2
- COLOR: BLACK



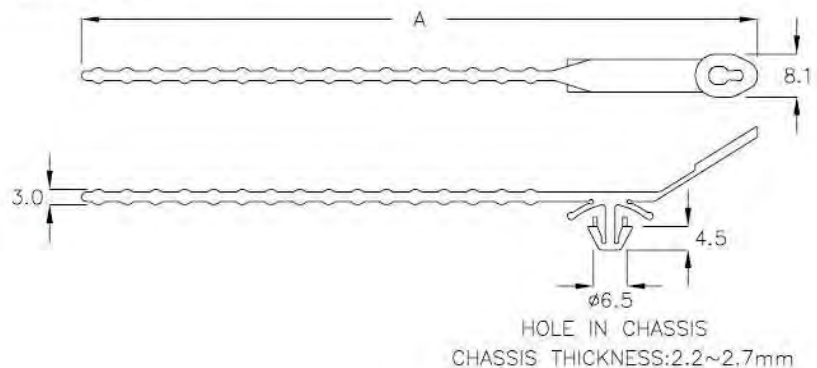
INSERT WITH 90 DEGREE ANGLE
AND PRESS DOWN

PART NO	A	SUITABLE BUNDLE DIA	PACKAGE
BST-128	128.3	φ15.0~φ33.0	500



電源收線固定帶 STRAP TIE | 12-21-3 |

- MATERIAL: NYLON 66(UL)
- FLAME CLASS: 94V-2
- COLOR: NATURAL, BLACK



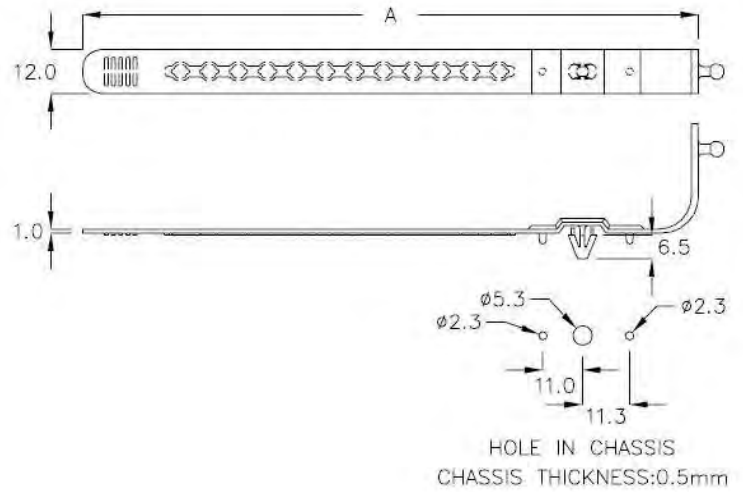
PART NO	A	SUITABLE BUNDLE DIA	PACKAGE
BST-129	129.0	φ15.0~φ35.0	500



電源收線固定帶 STRAP TIE 12-22-1

- MATERIAL: PE
- COLOR: BLACK

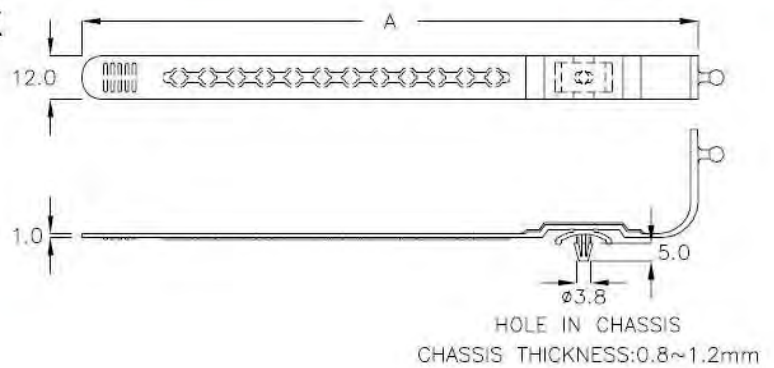
PART NO	A	SUITABLE BUNDLE DIA	PACKAGE
BST-170C	170.0	φ30.0~φ44.0	100



電源收線固定帶 STRAP TIE 12-22-2

- MATERIAL: PE
- COLOR: BLACK

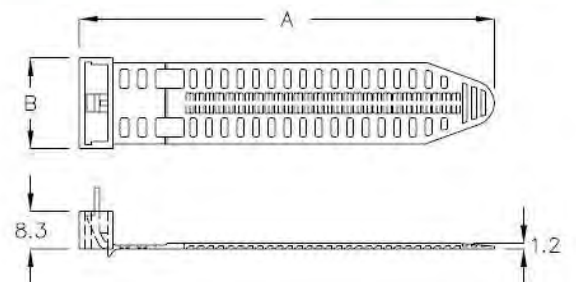
PART NO	A	SUITABLE BUNDLE DIA	PACKAGE
BST-172CF	172.0	φ30.0~φ44.0	200



電源收線固定帶 STRAP TIE 12-22-3

- MATERIAL: NYLON 66(UL)
- FLAME CLASS: 94V-2
- COLOR: BLACK

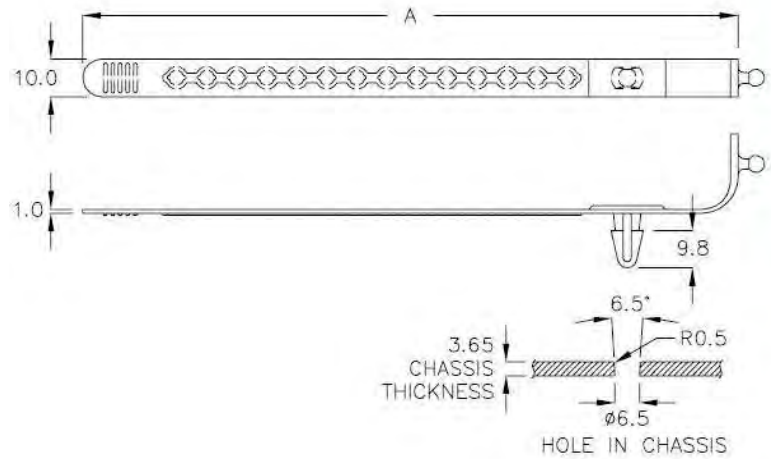
PART NO	A	B	SUITABLE BUNDLE DIA	PACKAGE
YJD-85H	92.5	20.1	φ9.0~φ19.0	100





電源收線固定帶 STRAP TIE | 12-23-1 |

- MATERIAL: PE
- COLOR: BLACK

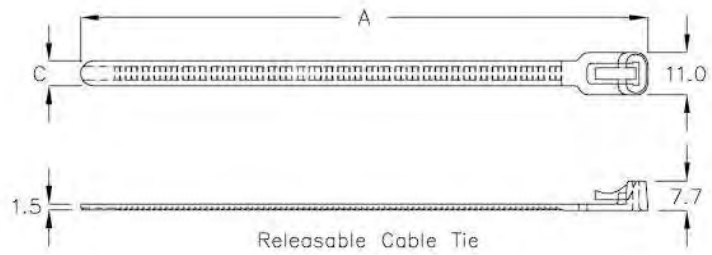


PART NO	A	SUITABLE BUNDLE DIA	PACKAGE
BST-174A	174.5	φ25.0~φ44.0	100



電源收線固定帶 STRAP TIE | 12-23-2 |

- MATERIAL: NYLON 66(UL)
- FLAME CLASS: 94V-2
- COLOR: NATURAL

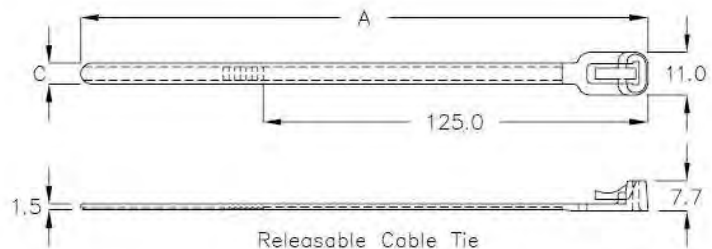


PART NO	A	C	SUITABLE BUNDLE DIA	PACKAGE
YAK-148	148.0	7.5	φ8.0~φ36.0	500
YAK-196A	196.4	5.5	φ8.0~φ50.0	



電源收線固定帶 STRAP TIE | 12-23-3 |

- MATERIAL: NYLON 66(UL)
- FLAME CLASS: 94V-2
- COLOR: BLACK



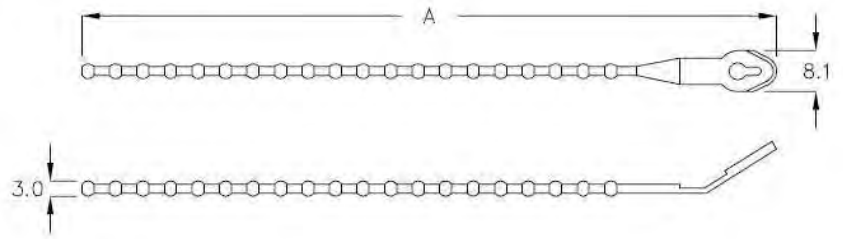
PART NO	A	C	SUITABLE BUNDLE DIA	PACKAGE
YAKS-196	196.4	5.5	φ33.0~φ35.0	500



電源收線固定帶 STRAP TIE 12-24-1

- MATERIAL: NYLON 66(UL)
- FLAME CLASS: 94V-2
- COLOR: NATURAL, BLACK

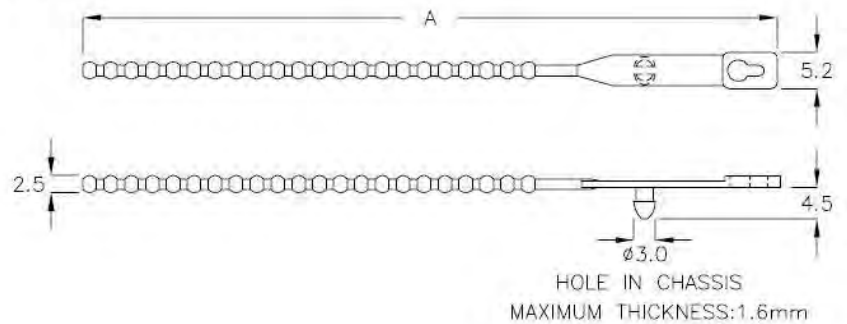
PART NO	A	SUITABLE BUNDLE DIA	PACKAGE
BST-3A	142.0	∅5.5~∅39.0	500



電源收線固定帶 STRAP TIE 12-24-2

- MATERIAL: NYLON 66(UL)
- FLAME CLASS: 94V-2
- COLOR: BLACK

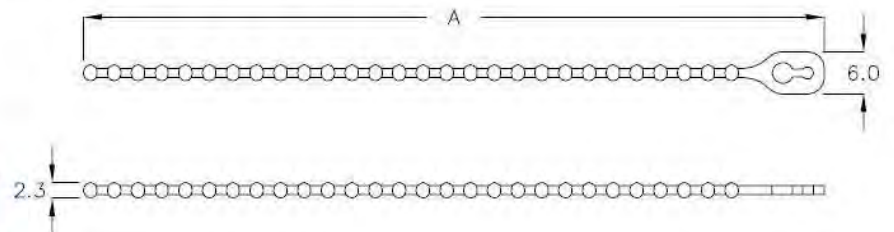
PART NO	A	SUITABLE BUNDLE DIA	PACKAGE
BST-5	103.0	∅9.5~∅27.0	500



活動束線帶 MOVABLE TIE 12-24-3

- MATERIAL: NYLON 66(UL)
- FLAME CLASS: 94V-2
- COLOR: NATURAL, BLACK

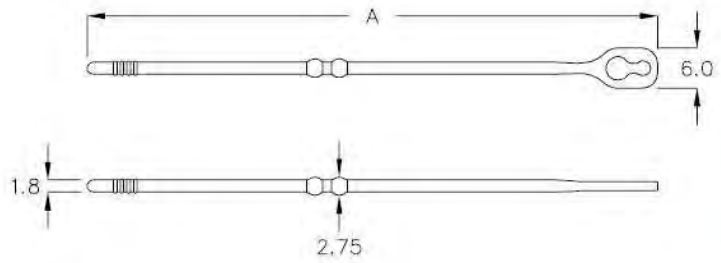
PART NO	A	SUITABLE BUNDLE DIA	PACKAGE
BST-6C	70.0	∅6.0~∅17.0	500
BST-6HJ	88.0	∅6.0~∅20.0	
BST-6A	106.0	∅6.0~∅27.0	





活動束線帶 STRAP TIE | 12-25-1 |

- MATERIAL: NYLON 66(UL)
- FLAME CLASS: 94V-2
- COLOR: BLACK

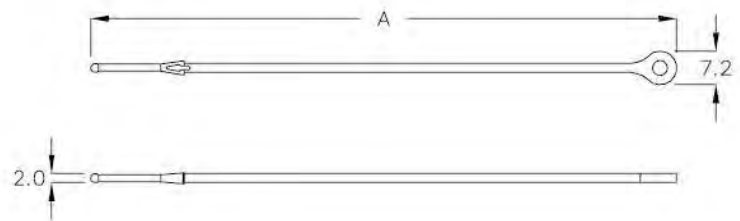


PART NO	A	SUITABLE BUNDLE DIA	PACKAGE
BXR-86	86.0	∅13.0	500



活動束線帶 STRAP TIE | 12-25-2 |

- MATERIAL: NYLON 66(UL)
- FLAME CLASS: 94V-2
- COLOR: NATURAL, BLACK

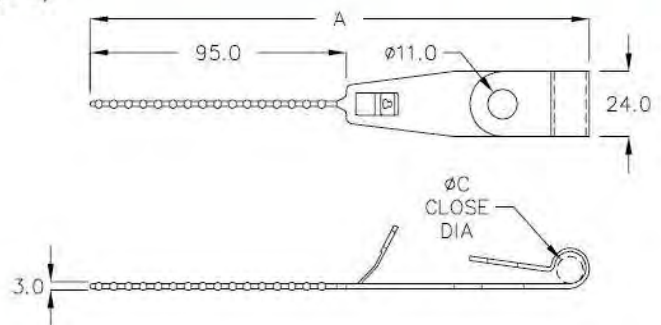


PART NO	A	SUITABLE BUNDLE DIA	PACKAGE
BFN-102	125.6	∅30.0	500



活動束線帶 STRAP TIE | 12-25-3 |

- MATERIAL: NYLON 66(UL)
- FLAME CLASS: 94V-2
- COLOR: BLACK

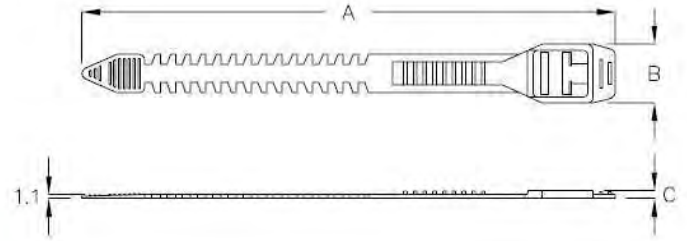


PART NO	A	C CLOSE DIA	SUITABLE BUNDLE DIA	PACKAGE
BST-185P	185.0	∅10.0	∅15.4~∅32.4	10



電源收線固定帶 STRAP TIE 12-26-1

- MATERIAL: PE
- COLOR: NATURAL, BLACK

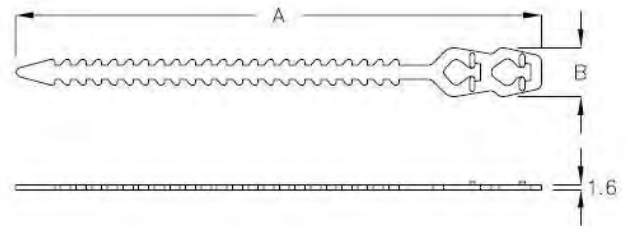


PART NO	A	B	C	SUITABLE BUNDLE DIA	PACKAGE
LST-6	141.5	15.5	2.05	∅16.0~∅34.0	500
LST-8	158.5	15.8	2.5	∅26.0~∅38.0	100



電源收線固定帶 STRAP TIE 12-26-2

- MATERIAL: PE
- COLOR: NATURAL, BLACK

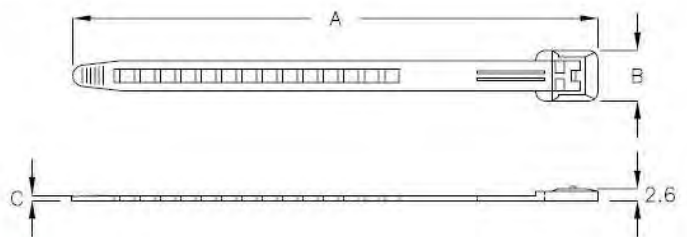


PART NO	A	B	SUITABLE BUNDLE DIA	PACKAGE
LST-10	208.0	14.6	∅5.0~∅47.0	500

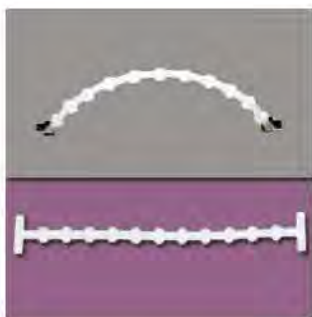


電源收線固定帶 STRAP TIE 12-26-3

- COLOR: NATURAL, BLACK

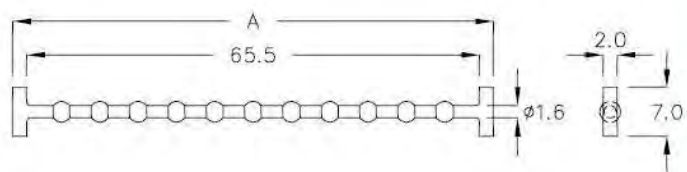


PART NO	MATERIAL	A	B	C	SUITABLE BUNDLE DIA	PACKAGE
PST-1	N66	125.0	13.0	1.6	∅15.0~∅33.0	500
PST-2A	N66/PE	151.5	14.5	1.4	∅15.0~∅39.0	
PST-5	PE	180.4	14.5	1.5	∅15.5~∅47.5	
PST-6	PE	209.0	14.5	1.5	∅20.0~∅55.0	



活動束線帶 STRAP TIE 12-27-1

- MATERIAL: NYLON 66(UL)
- FLAME CLASS: 94V-2
- COLOR: NATURAL

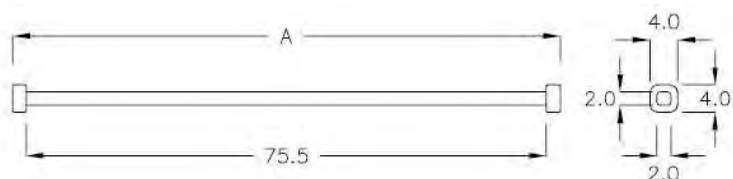


PART NO	A	PACKAGE
BST-4	69.5	1000

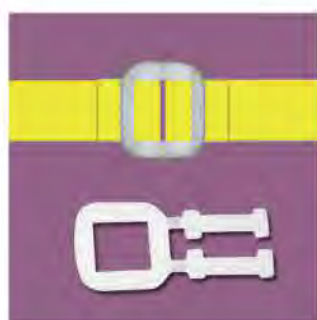


把手 PULLER 12-27-2

- MATERIAL: NYLON 66(UL)
- FLAME CLASS: 94V-2
- COLOR: BLACK

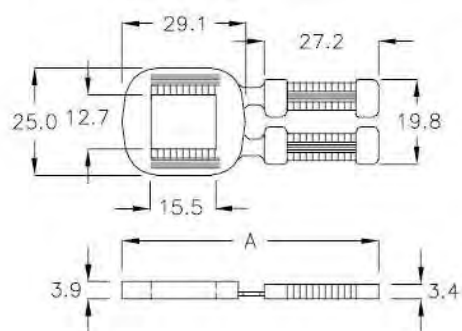


PART NO	A	PACKAGE
BSQ-75A	79.5	2000



打包扣 PACKING FASTENER 12-27-3

- MATERIAL: PP
- COLOR: NATURAL



PART NO	A	PACKAGE
PF-1	60.8	200



其他塑膠製品

HANDLE
HOUSING
COVER

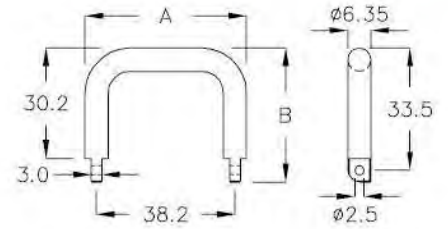


把手 HANDLE

13-2-1

- MATERIAL: POM(UL)
- FLAME CLASS: 94HB
- COLOR: BLACK

PART NO	A	B	PACKAGE
BSA-38	44.55	36.7	200

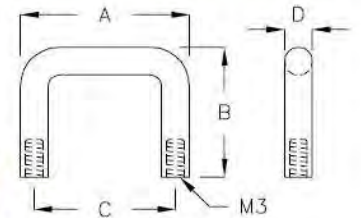


把手 HANDLE

13-2-2

- MATERIAL: ABS+PC, PC(UL)
- FLAME CLASS: 94V-0
- COLOR: BLACK
- MATERIAL: BRASS

PART NO	MATERIAL	A	B	C	D	PACKAGE
BWK-32PM	ABS+PC	38.3	29.3	32.0	6.3	200
BWK-45DK	PC	52.3	22.5	45.3	7.0	
BWK-51CT	ABS+PC	57.3	32.0	51.0	6.3	

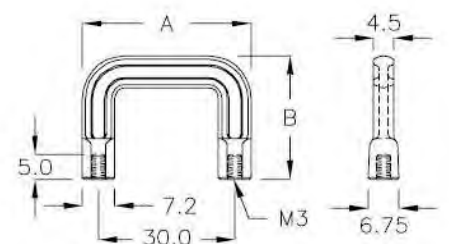


把手 HANDLE

13-2-3

- MATERIAL: PC(UL)
- FLAME CLASS: 94V-0
- COLOR: BLACK
- MATERIAL: BRASS

PART NO	A	B	PACKAGE
BSG-30MF	37.2	27.0	200

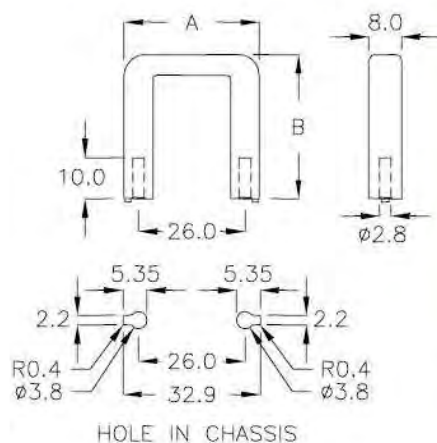




把手 HANDLE 13-3-1

- MATERIAL: ABS+PC
- FLAME CLASS: 94V-0
- COLOR: BLACK
- USE M3.5x8 TAPPING SCREW

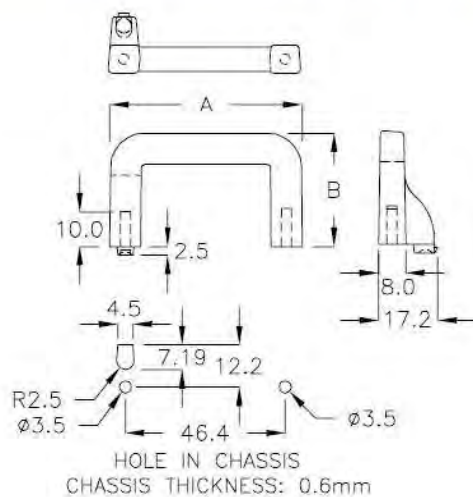
PART NO	A	B	PACKAGE
BWN-26	33.0	35.0	200



把手 HANDLE 13-3-2

- MATERIAL: PC(UL)
- FLAME CLASS: 94V-0
- COLOR: NATURAL
- USE M3.5x8 TAPPING SCREW

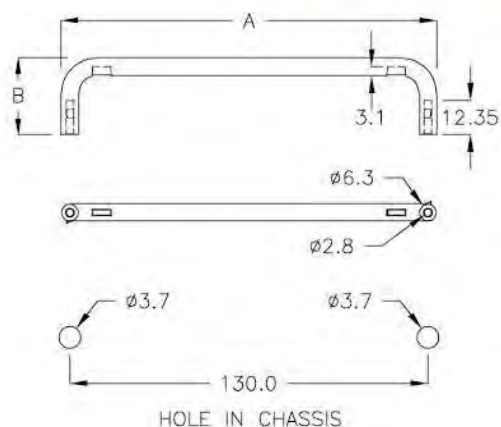
PART NO	A	B	PACKAGE
BSA-46K	55.4	32.7	200



把手 HANDLE 13-3-3

- MATERIAL: ABS+PC(UL)
- FLAME CLASS: 94V-0
- COLOR: BLACK
- USE: M3.5 TAPPING SCREW

PART NO	A	B	PACKAGE
BSA-130	136.3	27.65	100



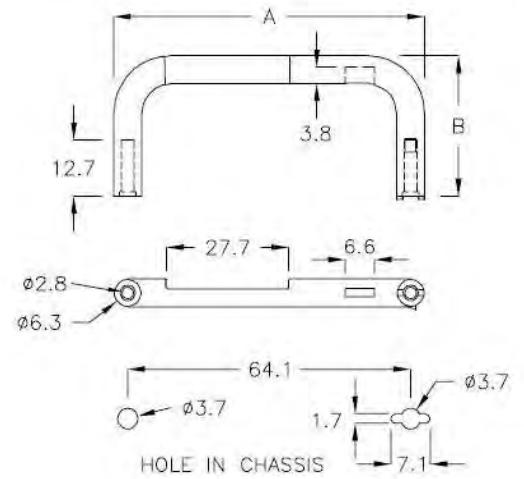


把手 HANDLE

13-4-1

- MATERIAL: ABS+PC(UL)
- FLAME CLASS: 94V-0
- COLOR: BLACK
- USE M3.5 TAPPING SCREW

PART NO	A	B	PACKAGE
BSA-64	70.4	31.6	200

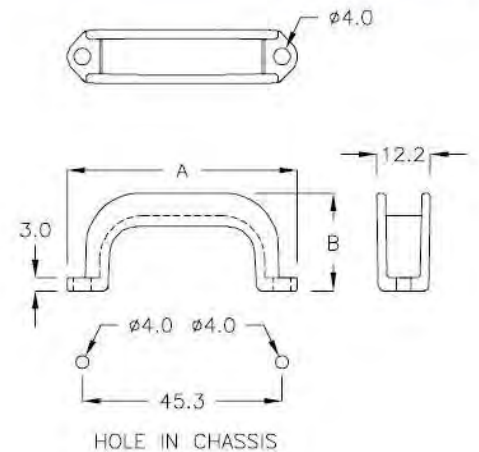


把手 HANDLE

13-4-2

- MATERIAL: ABS+PC(UL)
- FLAME CLASS: 94V-0
- COLOR: BLACK

PART NO	A	B	PACKAGE
BSC-33	52.0	22.0	200

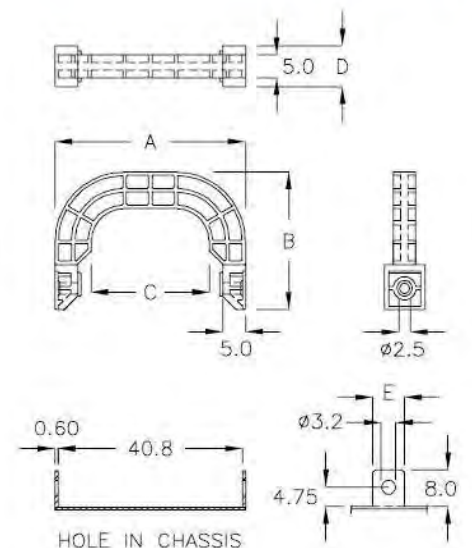


把手 HANDLE

13-4-3

- MATERIAL: ABS+PC(UL)
- FLAME CLASS: 94V-0
- COLOR: BLACK
- USE M3 TAPPING SCREW

PART NO	A	B	C	D	E	PACKAGE
BWA-36	42.0	30.25	26.0	9.3	7.1	200
BWA-40H	42.0	20.0	30.0	10.0	6.8	



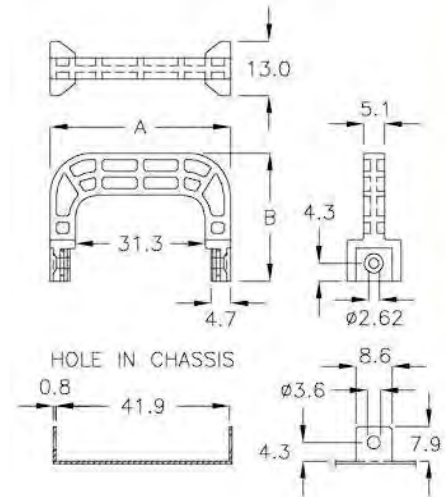


把手 HANDLE

13-5-1

- MATERIAL: ABS+PC(UL)
- FLAME CLASS: 94V-0
- COLOR: BLACK
- USE M3x4 TAPPING SCREW

PART NO	A	B	PACKAGE
BWH-43A	43.5	30.65	200

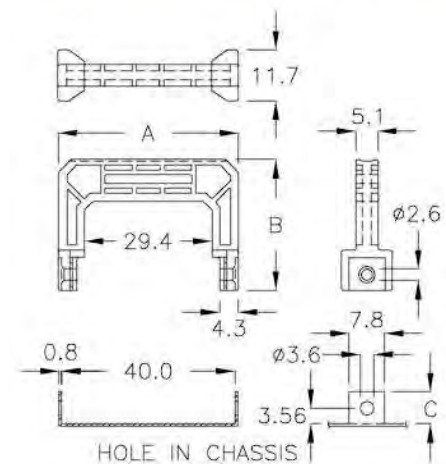


把手 HANDLE

13-5-2

- MATERIAL: PC(UL)
- FLAME CLASS: 94V-0
- COLOR: BLACK
- USE M3x4 TAPPING SCREW

PART NO	A	B	C	PACKAGE
BWF-40GP	41.6	30.0	7.25	200
BWF-40TS	41.6	30.0	6.85	

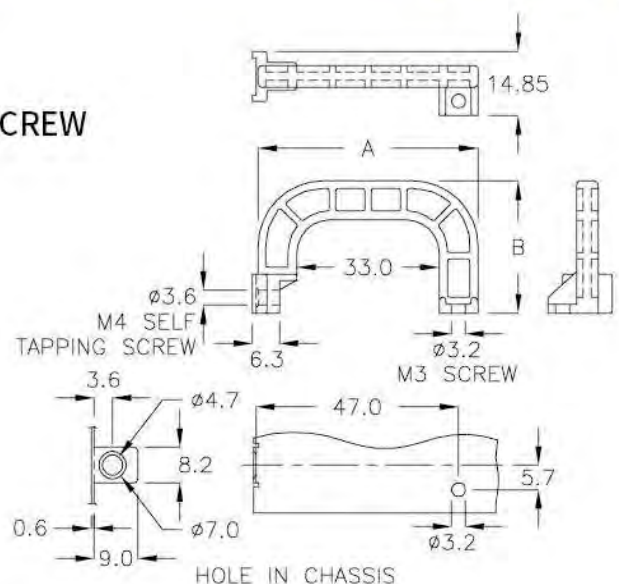


把手 HANDLE

13-5-3

- MATERIAL: PC(UL)
- FLAME CLASS: 94V-0
- COLOR: BLACK
- USE M4 SELF TAPPING SCREW or M3 SCREW

PART NO	A	B	PACKAGE
BWD-47	51.0	30.5	200



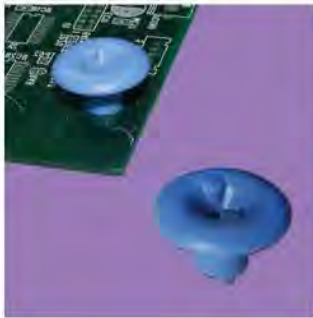
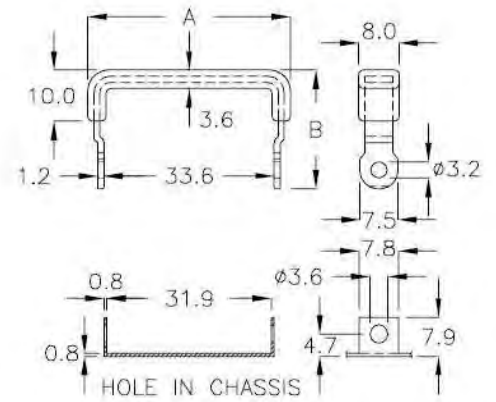


把手 HANDLE

13-6-1

- MATERIAL: ABS+PC(UL)
- FLAME CLASS: 94V-0
- COLOR: BLACK
- MATERIAL: SGCC

PART NO	A	B	PACKAGE
BWJ-33GH	40.0	23.25	35

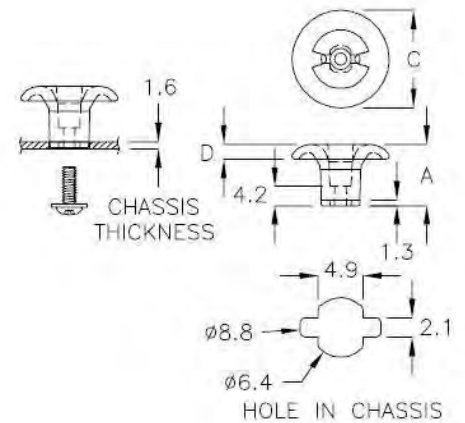


把手 HANDLE

13-6-2

- MATERIAL: ABS+PC(UL)
- FLAME CLASS: 94V-0
- COLOR: BLUE
- SCREW: M3 TAPPING SCREW

PART NO	A	C	D	PACKAGE
BJA-13K	13.2	21.0	3.2	100

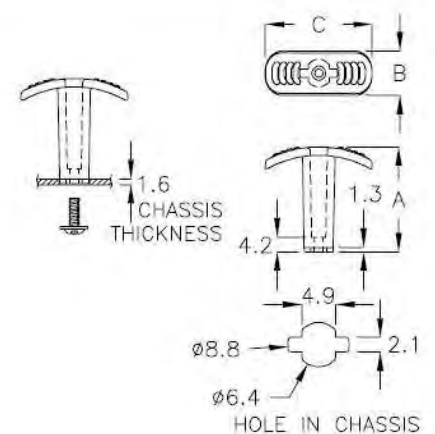


把手 HANDLE

13-6-3

- MATERIAL: ABS+PC(UL)
- FLAME CLASS: 94V-0
- COLOR: BLUE
- USE M3 TAPPING SCREW

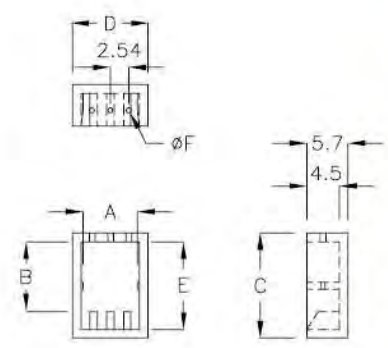
PART NO	A	B	C	PACKAGE
BJA-30C	30.2	12.9	30.9	100





IR 座 IR RECEIVER HOUSING | 13-7-1 |

- MATERIAL: NYLON 66(UL)
- FLAME CLASS: 94V-2
- COLOR: BLACK

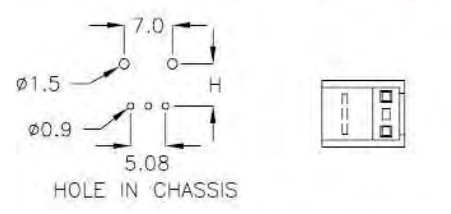


PART NO	A	B	C	D	E	F	PACKAGE
CDS-1A	7.5	9.6	14.4	10.4	12.0	ø0.8	500
CDS-1C	6.6	8.6	14.4	9.3	10.4	ø1.0	

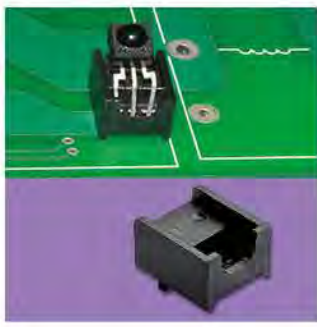
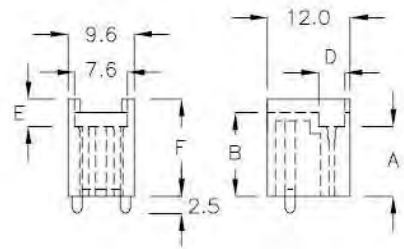


IR 座 IR RECEIVER HOUSING | 13-7-2 |

- MATERIAL: NYLON 66(UL)
- FLAME CLASS: 94V-2
- COLOR: NATURAL

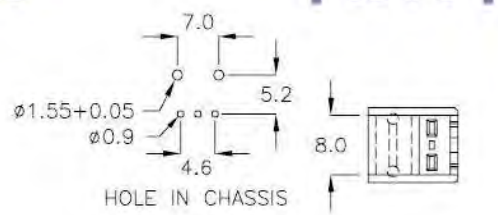


PART NO	A	B	D	E	F	H	PACKAGE
CDS-2A	1.5	3.5	3.8	4.0	5.5	6.0	500
CDS-2M	1.5	3.5	3.8	4.0	5.5	6.0	
CDS-4G	4.5	6.5	3.8	4.0	8.5	6.0	
CDS-4WP	4.15	6.5	5.0	4.35	8.5	6.0	
CDS-5F	4.5	6.5	3.8	3.5	8.0	6.0	
CDS-07	7.0	9.0	3.8	4.0	11.0	6.0	
CDS-10A	10.0	12.0	3.8	4.0	14.0	6.0	
CDS-13A	13.7	15.7	3.8	4.0	17.7	5.3	
CDS-13DF	13.35	15.7	5.0	4.35	17.7	5.3	

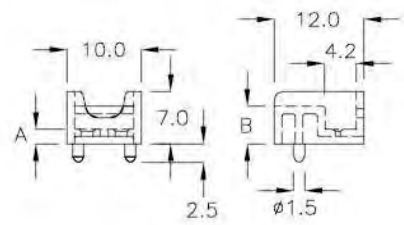


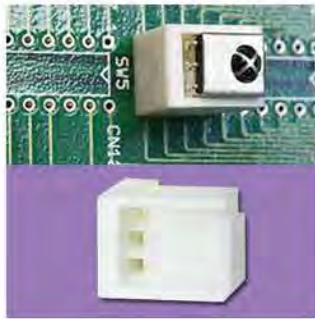
IR 座 IR RECEIVER HOUSING | 13-7-3 |

- MATERIAL: NYLON 66(UL)
- FLAME CLASS: 94V-2
- COLOR: BLACK



PART NO	A	B	PACKAGE
CDS-2D	2.0	5.0	500



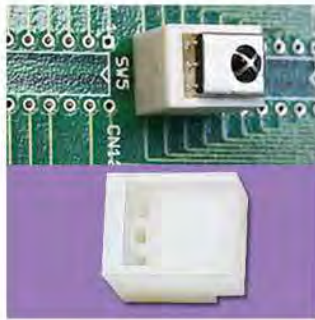
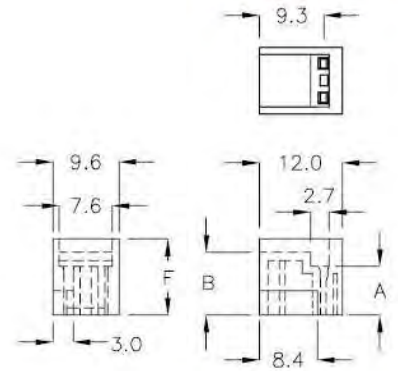


IR 座 IR RECEIVER HOUSING

13-8-1

- MATERIAL: NYLON 66(UL)
- FLAME CLASS: 94V-2
- COLOR: NATURAL

PART NO	A	B	F	PACKAGE
CDS-7A	7.0	9.0	11.0	500

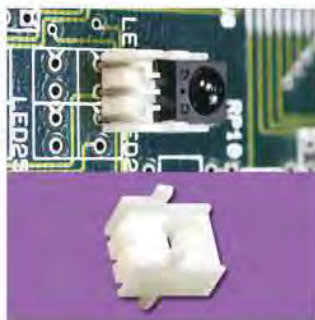
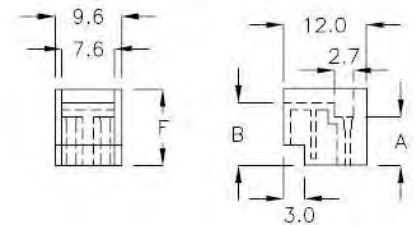


IR 座 IR RECEIVER HOUSING

13-8-2

- MATERIAL: NYLON 66(UL)
- FLAME CLASS: 94V-2
- COLOR: NATURAL

PART NO	A	B	F	PACKAGE
CDS-7B	7.0	9.0	11.0	500

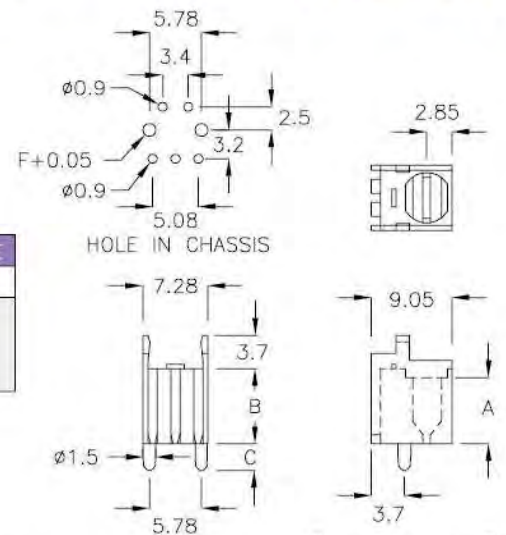


IR 座 IR RECEIVER HOUSING

13-8-3

- MATERIAL: NYLON 66(UL)
- FLAME CLASS: 94V-2
- COLOR: NATURAL

PART NO	A	B	C	F	PACKAGE
CDS-04	3.0	4.0	3.0	1.55	1000
CDS-4H	3.0	4.0	1.4	1.55	500
CDS-8A	6.6	7.6	3.0	1.60	
CDS-12	10.9	11.9	3.0	1.55	

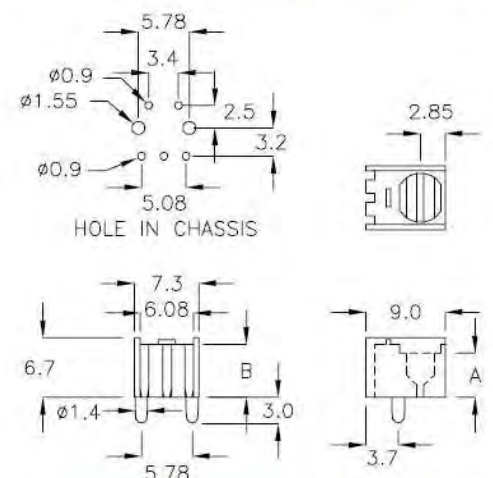


IR 座 IR RECEIVER HOUSING

13-8-4

- MATERIAL: NYLON 66(UL)
- FLAME CLASS: 94V-2
- COLOR: BLACK

PART NO	A	B	PACKAGE
CDS-6A	5.0	6.0	500

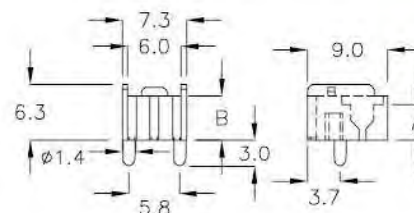
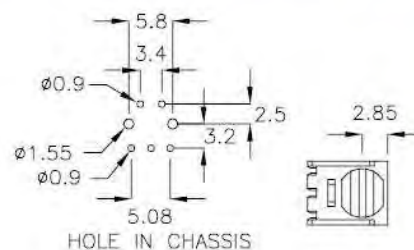




IR 座 IR RECEIVER HOUSING

13-9-1

- MATERIAL: NYLON 66(UL)
- FLAME CLASS: 94V-2
- COLOR: BLACK



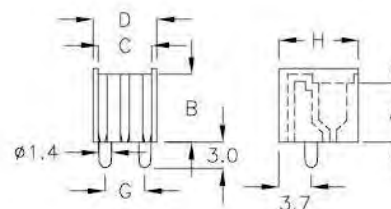
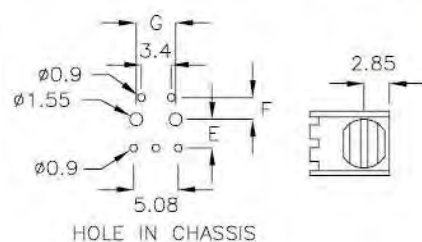
PART NO	A	B	PACKAGE
CDS-4D	4.0	5.0	1000



IR 座 IR RECEIVER HOUSING

13-9-2

- MATERIAL: NYLON 66(UL)
- FLAME CLASS: 94V-2
- COLOR: BLACK



PART NO	A	B	C	D	E	F	G	H	PACKAGE
CDS-03	2.0	3.0	7.7	8.9	3.2	4.5	5.78	11.5	500
CDS-6C	5.0	6.0	6.1	7.3	3.2	2.5	4.5	9.05	
CDS-6D	5.0	6.0	6.1	7.3	3.2	2.5	4.5	9.05	
CDS-8C	5.0	8.0	6.1	7.3	3.2	2.5	4.5	9.05	

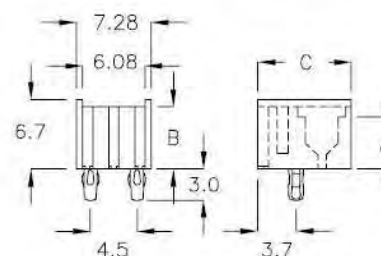
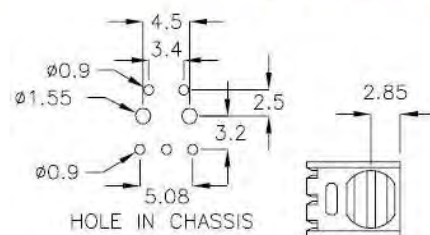


IR 座 IR RECEIVER HOUSING

13-9-3

- MATERIAL: NYLON 66(UL)
- FLAME CLASS: 94V-2
- COLOR: BLACK

PART NO	A	B	C	PACKAGE
CDS-6J	5.0	6.0	9.05	500



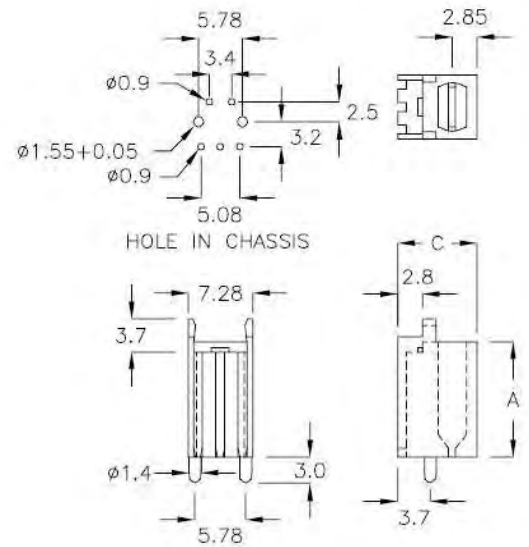


IR 座 IR RECEIVER HOUSING

13-10-1

- MATERIAL: NYLON 66(UL)
- FLAME CLASS: 94V-2
- COLOR: BLACK

PART NO	A	C	PACKAGE
CDS-13	13.0	9.05	500

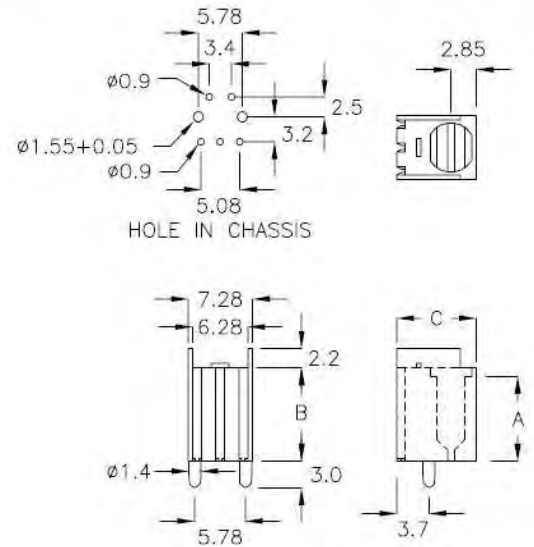


IR 座 IR RECEIVER HOUSING

13-10-2

- MATERIAL: NYLON 66(UL)
- FLAME CLASS: 94V-2
- COLOR: BLACK

PART NO	A	B	C	PACKAGE
CDS-10C	9.6	10.6	9.05	500

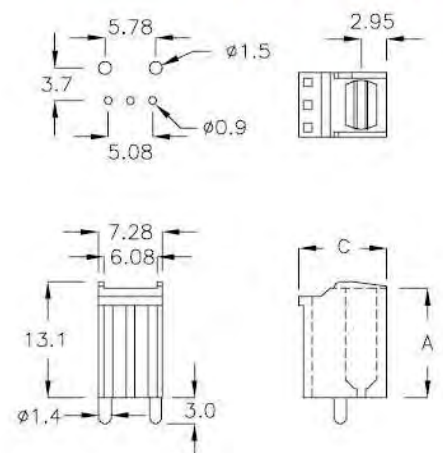


IR 座 IR RECEIVER HOUSING

13-10-3

- MATERIAL: NYLON 66(UL)
- FLAME CLASS: 94V-2
- COLOR: BLACK

PART NO	A	C	PACKAGE
CDS-11A	12.4	10.0	500

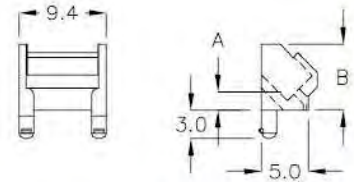
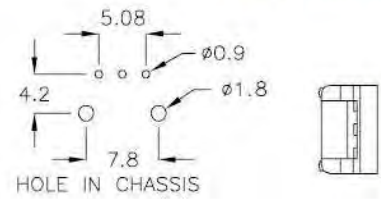




IR 座 IR RECEIVER HOUSING | 13-11-1 |

- MATERIAL: NYLON 66(UL)
- FLAME CLASS: 94V-2
- COLOR: NATURAL

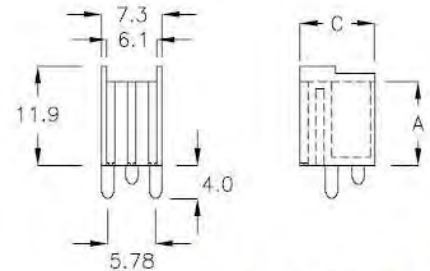
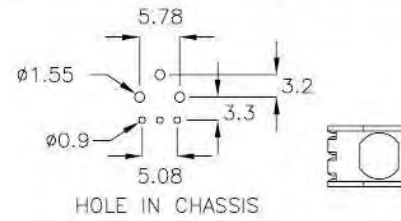
PART NO	A	B	PACKAGE
CDS-2C	2.0	7.0	1000
CDS-2F	5.0	10.0	



IR 座 IR RECEIVER HOUSING | 13-11-2 |

- MATERIAL: NYLON 66(UL)
- FLAME CLASS: 94V-2
- COLOR: BLACK

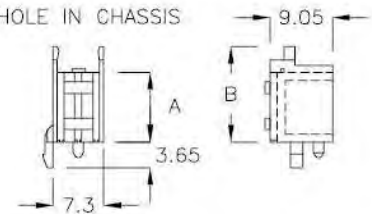
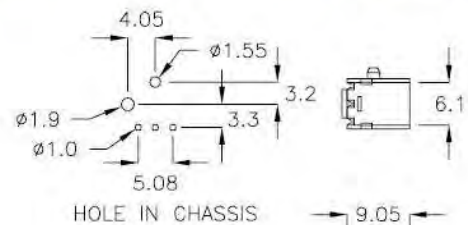
PART NO	A	C	PACKAGE
CDS-10D	10.1	9.04	500



IR 座 IR RECEIVER HOUSING | 13-11-3 |

- MATERIAL: NYLON 66(UL)
- FLAME CLASS: 94V-2
- COLOR: BLACK

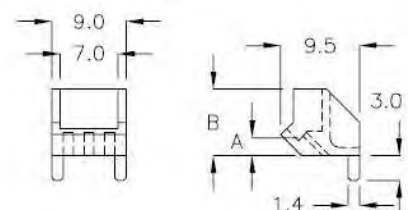
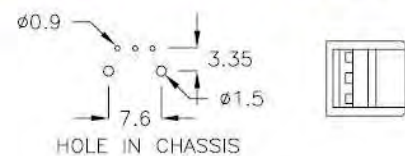
PART NO	A	B	PACKAGE
CDS-6K	6.1	10.3	500
CDS-10F	10.1	14.3	
CDS-11K	11.6	15.8	



IR 座 IR RECEIVER HOUSING | 13-11-4 |

- MATERIAL: NYLON 66(UL)
- FLAME CLASS: 94V-2
- COLOR: BLACK

PART NO	A	B	PACKAGE
CDS-2H	2.6	8.0	1000



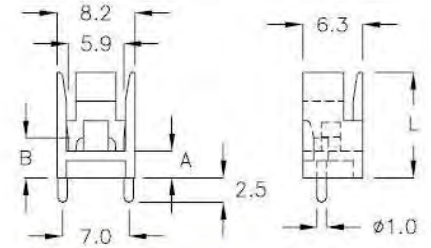
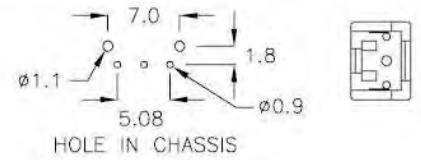


IR 座 IR RECEIVER HOUSING

13-12-1

- MATERIAL: NYLON 66(UL)
- FLAME CLASS: 94V-2
- COLOR: BLACK

PART NO	A	B	L	PACKAGE
CDS-4C	2.85	4.15	11.1	1000
CDS-5DM	4.45	5.75	12.6	

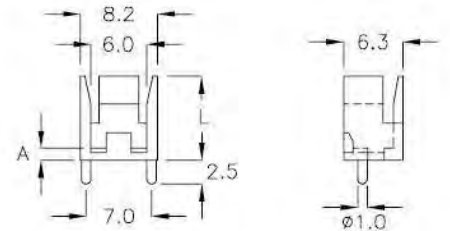
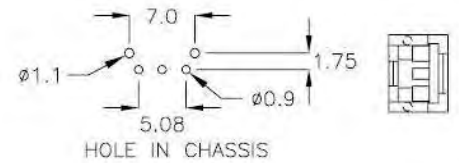


IR 座 IR RECEIVER HOUSING

13-12-2

- MATERIAL: NYLON 66(UL)
- FLAME CLASS: 94V-2
- COLOR: BLACK

PART NO	A	L	PACKAGE
CDS-1J	1.3	8.9	1000
CDS-8DQ	8.3	15.9	500

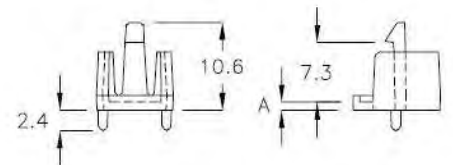
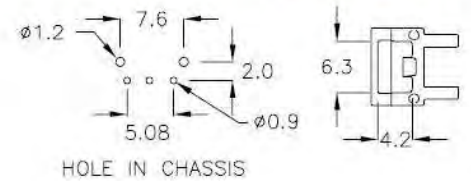


IR 座 IR RECEIVER HOUSING

13-12-3

- MATERIAL: NYLON 66(UL)
- FLAME CLASS: 94V-2
- COLOR: BLACK

PART NO	A	PACKAGE
CDS-1F	1.0	2000

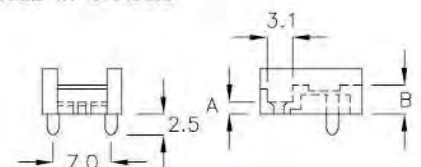
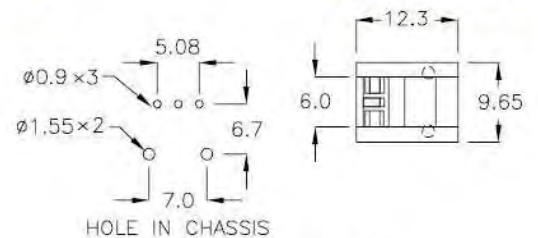


IR 座 IR RECEIVER HOUSING

13-12-4

- MATERIAL: NYLON 66(UL)
- FLAME CLASS: 94V-2
- COLOR: NATURAL

PART NO	A	B	PACKAGE
CDS-2J	1.5	3.5	500

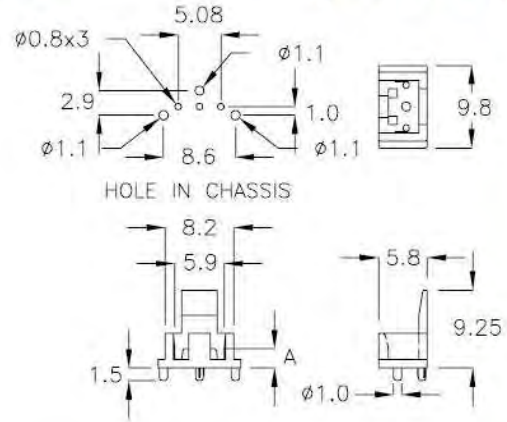




IR 座 IR RECEIVER HOUSING | 13-13-1 |

- MATERIAL: NYLON 66(UL)
- FLAME CLASS: 94V-2
- COLOR: BLACK

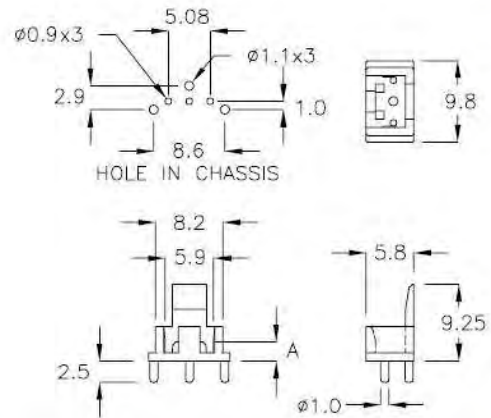
PART NO	A	PACKAGE
CDS-2PS	2.3	1000



IR 座 IR RECEIVER HOUSING | 13-13-2 |

- MATERIAL: NYLON 66(UL)
- FLAME CLASS: 94V-2
- COLOR: BLACK

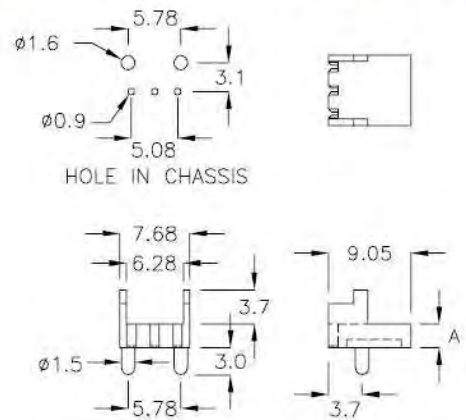
PART NO	A	PACKAGE
CDS-2K	2.3	1000



IR 座 IR RECEIVER HOUSING | 13-13-3 |

- MATERIAL: NYLON 66(UL)
- FLAME CLASS: 94V-2
- COLOR: BLACK

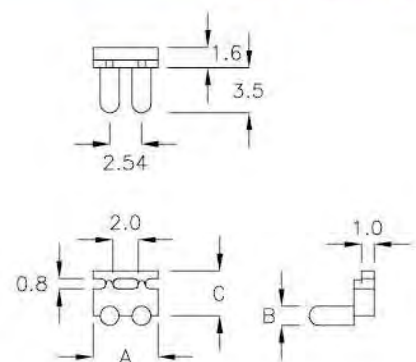
PART NO	A	PACKAGE
CDS-2L	1.7	500



IR 座 IR RECEIVER HOUSING | 13-13-4 |

- MATERIAL: NYLON 66(UL)
- FLAME CLASS: 94V-2
- COLOR: BLACK

PART NO	A	B	C	PACKAGE
CDS-4F	5.08	$\phi 1.5$	3.5	1000



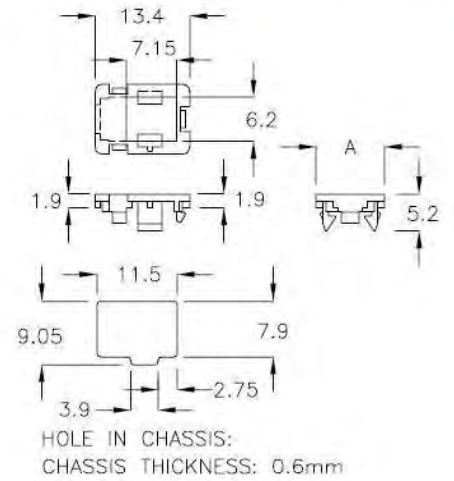


IR 座 IR RECEIVER HOUSING

13-14-1

- MATERIAL: NYLON 66(UL)
- FLAME CLASS: 94V-2
- COLOR: BLACK

PART NO	A	PACKAGE
CDS-1TR	9.8	1000

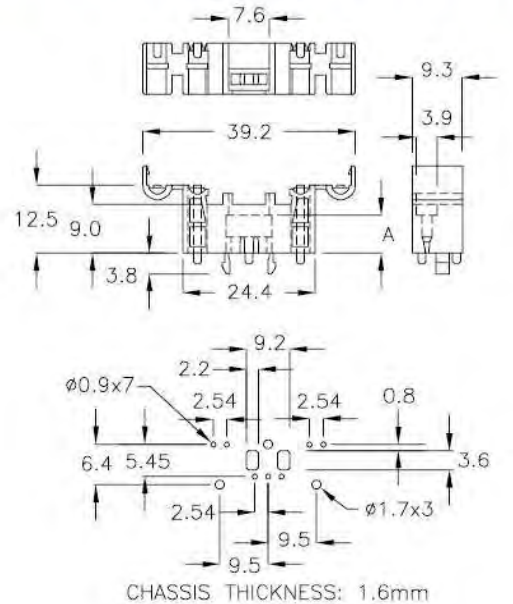
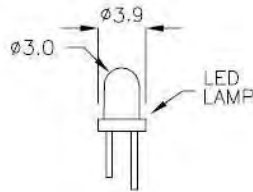


IR 座 IR RECEIVER HOUSING

13-14-2

- MATERIAL: NYLON 66(UL)
- FLAME CLASS: 94V-2
- COLOR: BLACK

PART NO	A	T CHASSIS THICKNESS	PACKAGE
CDY-7M	7.0	1.6	200

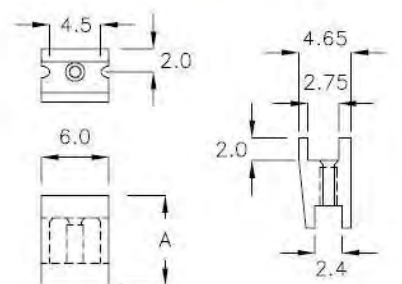


IR 座 IR RECEIVER HOUSING

13-14-3

- MATERIAL: NYLON 66(UL)
- FLAME CLASS: 94V-2
- COLOR: BLACK

PART NO	A	PACKAGE
CDA-08	8.0	1000



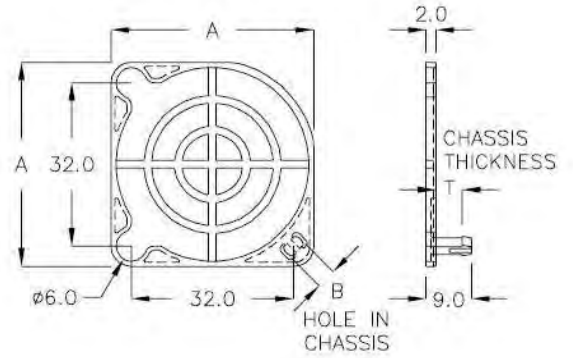


風扇罩 FAN COVER

13-16-1

- MATERIAL: PC(UL)
- FLAME CLASS: 94V-0
- COLOR: BLACK

PART NO	A	B HOLE IN CHASSIS	T CHASSIS THICKNESS	PACKAGE
NBR-40A	40.0	∅3.5	5.0	200

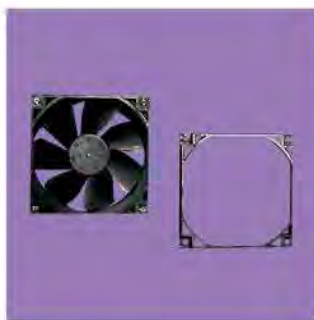
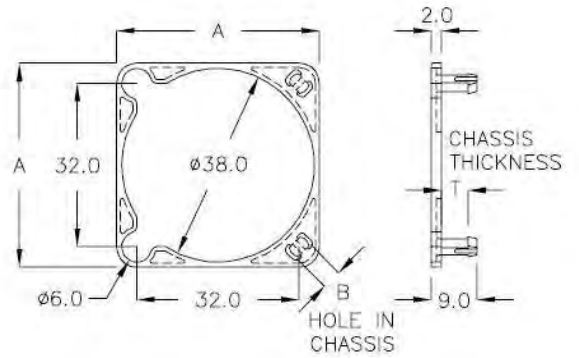


風扇罩 FAN COVER

13-16-2

- MATERIAL: PC(UL)
- FLAME CLASS: 94V-0
- COLOR: BLACK

PART NO	A	B HOLE IN CHASSIS	T CHASSIS THICKNESS	PACKAGE
NBT-40	40.0	∅3.5	5.0	100

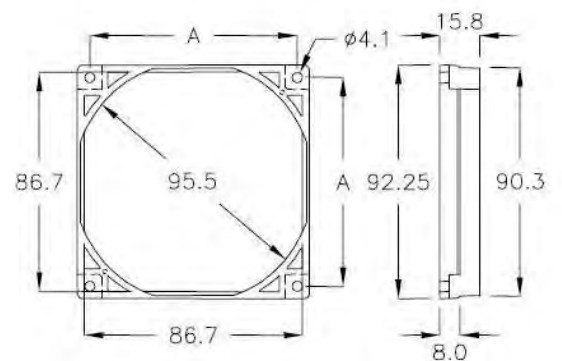


風扇罩 FAN COVER

13-16-3

- MATERIAL: ABS+PC(UL)
- FLAME CLASS: 94V-0
- COLOR: BLACK

PART NO	A	PACKAGE
NBC-01	82.5	20

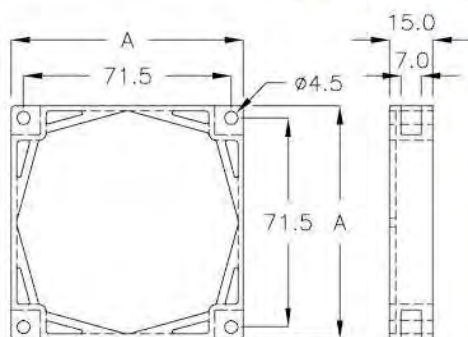




風扇罩 FAN COVER 13-17-1

- MATERIAL: PBT(UL)
- FLAME CLASS: 94V-0
- COLOR: BLACK

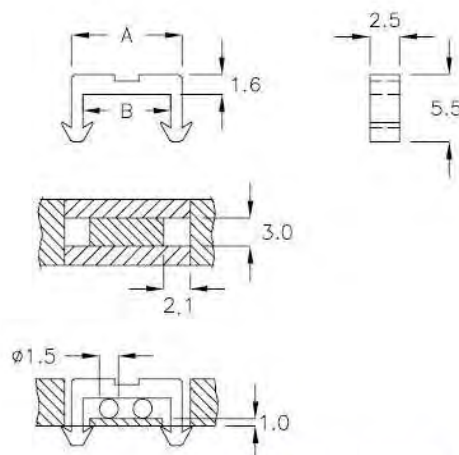
PART NO	A	PACKAGE
NBC-80	80.0	20



電線固定座 WIRE MOUNT 13-17-2

- MATERIAL: NYLON 66(UL)
- FLAME CLASS: 94V-2
- COLOR: BLACK

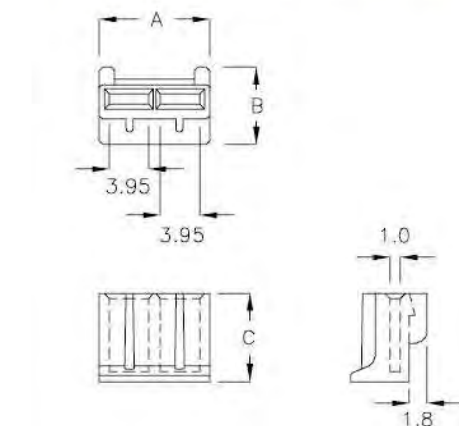
PART NO	A	B	PACKAGE
FBA-7A	9.1	7.25	1000



風扇電源座 MOUNT 13-17-3

- MATERIAL: NYLON 66(UL)
- FLAME CLASS: 94V-2
- COLOR: NATURAL

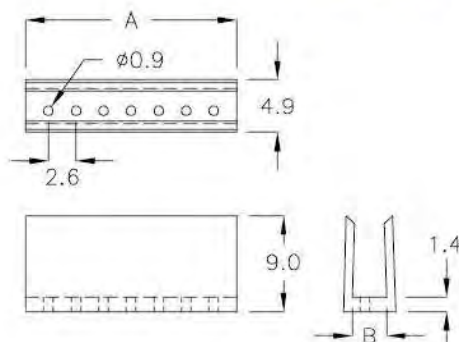
PART NO	A	B	C	PACKAGE
HFC-01	11.1	7.7	8.8	500



固定座 HOUSING 13-17-4

- MATERIAL: NYLON 66(UL)
- FLAME CLASS: 94V-2
- COLOR: NATURAL

PART NO	A	B	PACKAGE
PH-5	20.2	3.2	500



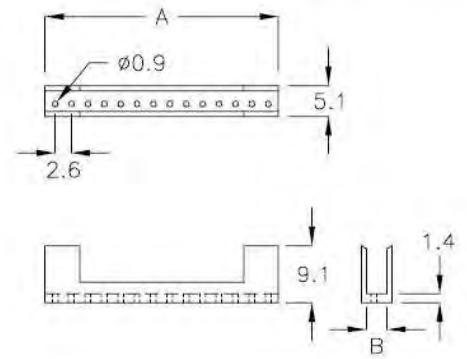


固定座 HOUSING

13-18-1

- MATERIAL: NYLON 66(UL)
- FLAME CLASS: 94V-2
- COLOR: NATURAL

PART NO	A	B	PACKAGE
PH-6	36.0	3.4	500

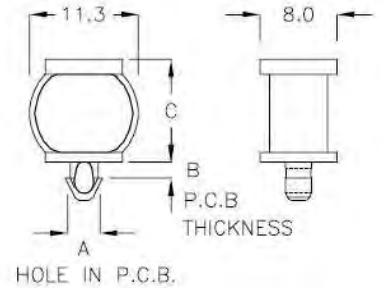


防震座 ANTI-SHOCK HOUSING

13-18-2

- MATERIAL: NYLON 66(UL)
- FLAME CLASS: 94V-2
- COLOR: NATURAL

PART NO	A	B	C	PACKAGE
CQ-010	∅3.0	1.6	10.5	1000
CQ-008	∅3.0	1.6	8.0	
CQ-10NR	∅2.0	1.6	10.5	

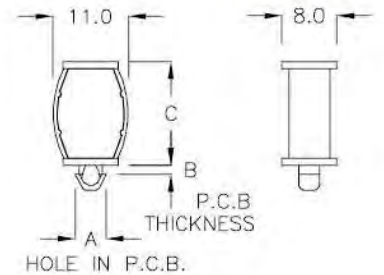


防震座 ANTI-SHOCK HOUSING

13-18-3

- MATERIAL: NYLON 66(UL)
- FLAME CLASS: 94V-2
- COLOR: NATURAL

PART NO	A	B	C	PACKAGE
CQ-015	∅3.5	1.2	15.0	1000
CQ-15A	∅4.0	1.6	15.0	
CQ-15C	∅3.5	1.4	15.0	
CQ-15D	∅4.0	1.7	15.0	
CQ-017	∅3.5	1.2	17.0	

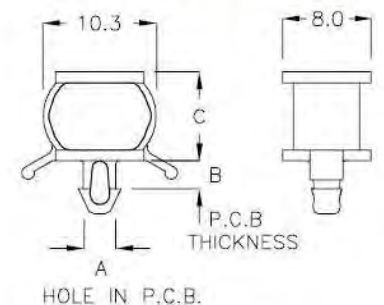


防震座 ANTI-SHOCK HOUSING

13-18-4

- MATERIAL: NYLON 66(UL)
- FLAME CLASS: 94V-2
- COLOR: NATURAL

PART NO	A	B	C	PACKAGE
CQ-08A	∅3.0	1.1~1.6	8.05	1000



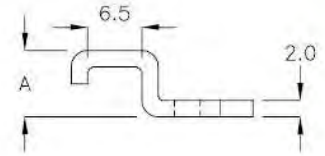
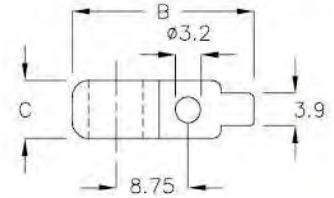


固定夾 CLIP

13-19-1

- MATERIAL: POM(UL)
- FLAME CLASS: 94HB
- COLOR: BLACK

PART NO	A	B	C	PACKAGE
HP-6	8.0	22.0	7.0	1000

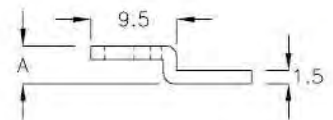
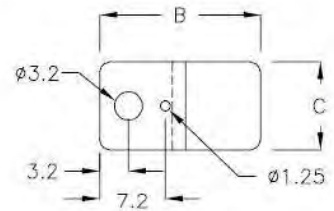


CCD 座 CCD HOUSING

13-19-2

- MATERIAL: NYLON 66(UL)
- FLAME CLASS: 94V-2
- COLOR: NATURAL

PART NO	A	B	C	PACKAGE
MDV-01	4.15	17.7	9.6	2000



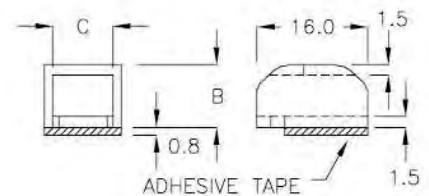
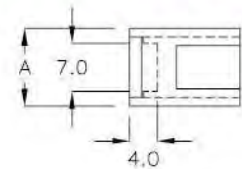
電池端子保護座

CONNECTOR PROTECT HOUSING

13-19-3

- MATERIAL: PC(UL)
- FLAME CLASS: 94V-2
- COLOR: CLEAR
- ADHESIVE TAPE: 3M

PART NO	A	B	C	PACKAGE
MD-16S	11.2	9.0	8.8	500
MD-017	13.5	10.8	10.5	



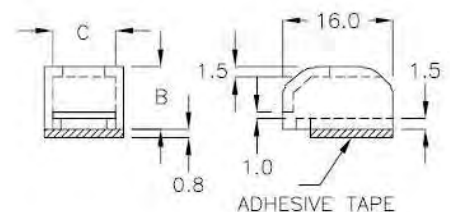
電池端子保護座

CONNECTOR PROTECT HOUSING

13-19-4

- MATERIAL: PC(UL)
- FLAME CLASS: 94V-2
- COLOR: CLEAR
- ADHESIVE TAPE: 3M

PART NO	A	B	C	PACKAGE
MD-16A	11.4	9.0	9.1	500



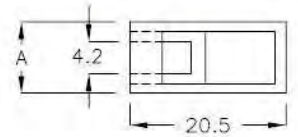


電池端子保護座

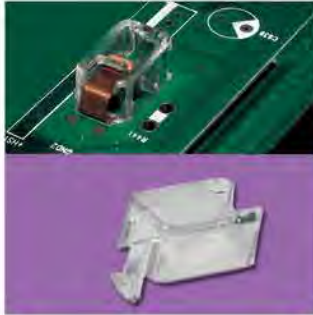
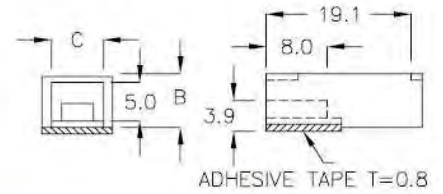
CONNECTOR PROTECT HOUSING

13-20-1

- MATERIAL: PC(UL)
- FLAME CLASS: 94V-2
- COLOR: CLEAR
- ADHESIVE TAPE: 3M



PART NO	A	B	C	PACKAGE
MD-020	9.3	7.0	6.9	500

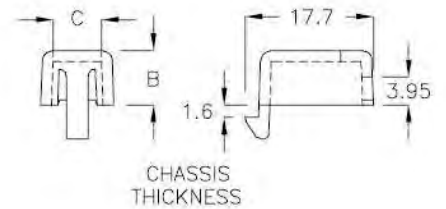
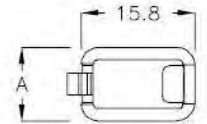


保護蓋 HOLE PROTECTOR

13-20-2

- MATERIAL: PC(UL)
- FLAME CLASS: 94V-2
- COLOR: CLEAR

PART NO	A	B	C	PACKAGE
MVA-01	10.2	7.4	6.65	500

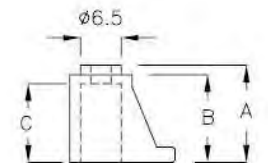
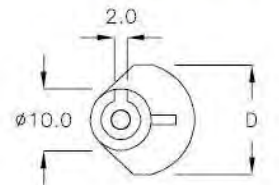


固定座 MOUNT

13-20-3

- MATERIAL: ABS(UL)
- FLAME CLASS: 94V-0
- COLOR: NATURAL

PART NO	A	B	C	D	PACKAGE
MDJ-01	17.0	15.5	14.0	17.5	200
MDJ-02	12.6	11.1	9.6	17.2	500

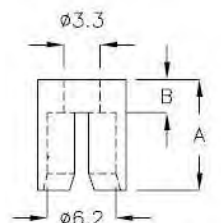
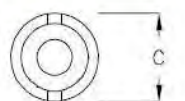


固定座 MOUNT

13-20-4

- MATERIAL: NYLON 66(UL)
- FLAME CLASS: 94V-2
- COLOR: NATURAL

PART NO	A	B	C	PACKAGE
MDA-01	10.0	3.0	$\phi 8.0$	1000
MDA-02	10.0	1.6	$\phi 8.0$	



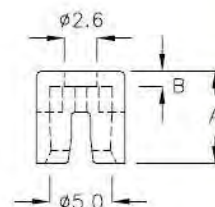
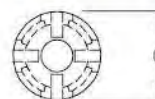


固定座 MOUNT

13-21-1

- MATERIAL: NYLON 66(UL)
- FLAME CLASS: 94V-2
- COLOR: NATURAL

PART NO	A	B	C	PACKAGE
MDA-7BC	7.2	1.2	∅7.0	1000

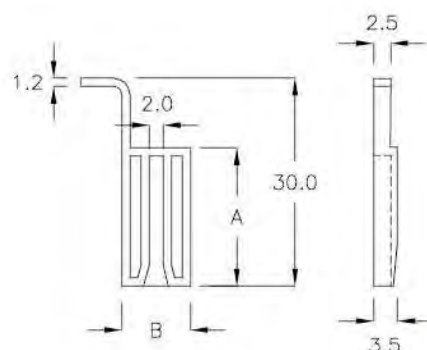


固定座 MOUNT

13-21-2

- MATERIAL: NYLON 66(UL)
- FLAME CLASS: 94V-2
- COLOR: NATURAL

PART NO	A	B	PACKAGE
MDB-01	20.0	10.0	1000

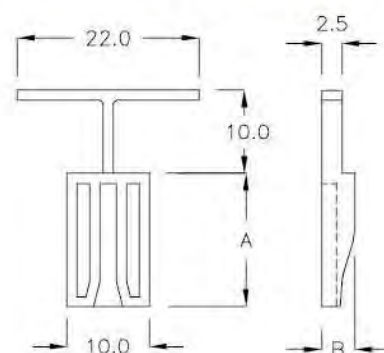


固定座 MOUNT

13-21-3

- MATERIAL: NYLON 66(UL)
- FLAME CLASS: 94V-2
- COLOR: NATURAL

PART NO	A	B	PACKAGE
MDB-02	20.0	4.0	500
MDB-04	16.0	4.0	
MDB-05	15.0	3.2	1000

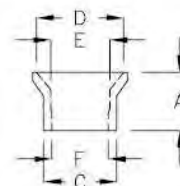


固定座 MOUNT

13-21-4

- MATERIAL: NYLON 66(UL)
- FLAME CLASS: 94V-2
- COLOR: BLACK

PART NO	A	B	C	D	E	F	PACKAGE
UW-1	7.0	∅11.5	∅8.8	∅10.5	∅7.2	∅6.8	1000
UW-1K	6.6	∅11.0	∅7.5	∅10.0	∅5.45	∅5.05	
UW-1Y	6.6	∅8.8	∅7.55	∅7.8	∅5.45	∅5.05	2000



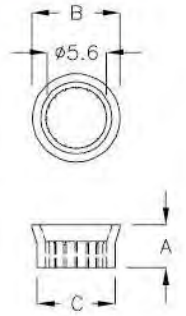


固定座 MOUNT

13-22-1

- MATERIAL: NYLON 66(UL)
- FLAME CLASS: 94V-2
- COLOR: BLACK

PART NO	A	B	C	PACKAGE
UW-6F	4.0	∅8.4	∅7.4	1000

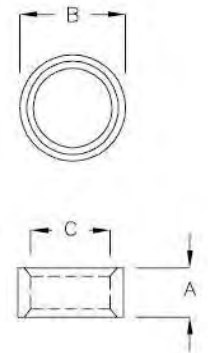


固定座 MOUNT

13-22-2

- MATERIAL: NYLON 66(UL)
- FLAME CLASS: 94V-2
- COLOR: BLACK

PART NO	A	B	C	PACKAGE
UW-1S	4.2	∅9.1	∅6.85	1000
UW-01C	6.35	∅5.8	∅4.8	
UW-01M	4.3	∅9.2	∅6.7	
UW-01J	6.7	∅11.2	∅7.2	
UW-4TM	4.35	∅6.2	∅5.0	2000
UW-8MK	8.0	∅7.0	∅5.4	1000

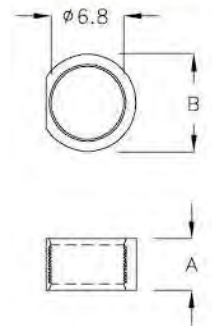


固定座 MOUNT

13-22-3

- MATERIAL: NYLON 66(UL)
- FLAME CLASS: 94V-2
- COLOR: BLACK

PART NO	A	B	PACKAGE
UW-01A	4.8	∅9.1	1000

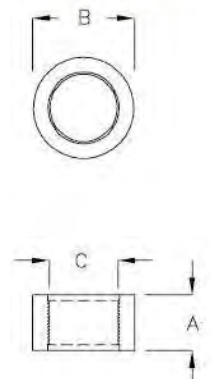


固定座 MOUNT

13-22-4

- MATERIAL: NYLON 66(UL)
- FLAME CLASS: 94V-2
- COLOR: BLACK

PART NO	A	∅B	∅C	PACKAGE
UW-01D	3.0	6.1	4.5	1000
UW-02A	4.2	9.2	7.1	
UW-04A	5.0	9.2	6.4	
UW-08A	8.2	9.0	7.0	
UW-8CD	8.2	9.0	6.8	

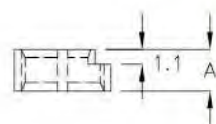
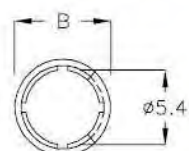




固定座 MOUNT 13-23-1

- MATERIAL: NYLON 66(UL)
- FLAME CLASS: 94V-2
- COLOR: BLACK

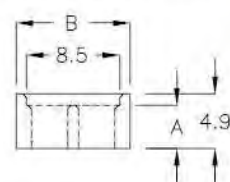
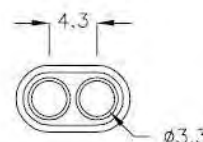
PART NO	A	B	PACKAGE
UW-01G	3.0	ø7.0	1000



固定座 MOUNT 13-23-2

- MATERIAL: NYLON 66(UL)
- FLAME CLASS: 94V-2
- COLOR: BLACK

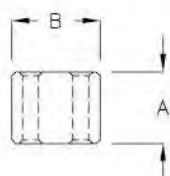
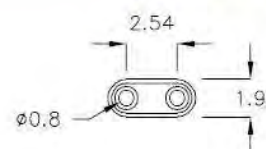
PART NO	A	B	PACKAGE
MTH-05	3.9	10.3	1000



固定座 MOUNT 13-23-3

- MATERIAL: NYLON 66(UL)
- FLAME CLASS: 94V-2
- COLOR: BLACK

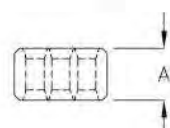
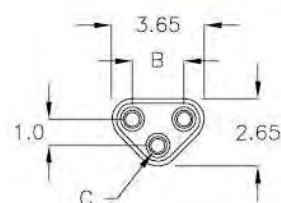
PART NO	A	B	PACKAGE
MTN-3H	4.15	4.45	2000



固定座 MOUNT 13-23-4

- MATERIAL: NYLON 66(UL)
- FLAME CLASS: 94V-2
- COLOR: NATURAL

PART NO	A	B	C	PACKAGE
MTJ-02	2.0	2.0	ø0.8	2000
MTJ-3A	1.55	2.54	ø0.8	
MTJ-3HD	3.5	2.0	ø0.7	



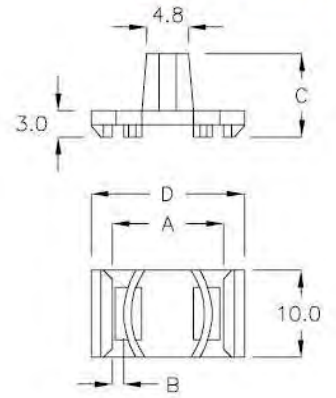


固定座 MOUNT

13-24-1

- MATERIAL: NYLON 66(UL)
- FLAME CLASS: 94V-2
- COLOR: NATURAL

PART NO	A	B	C	D	PACKAGE
MDK-01	12.8	1.15	9.5	17.6	500
MDK-03	12.8	1.3	11.0	17.6	
MDK-04	13.0	1.9	10.5	17.6	
MDK-05	10.8	1.5	10.5	15.6	

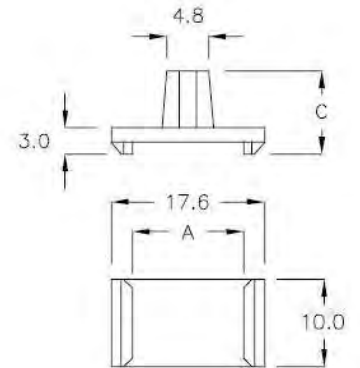


固定座 MOUNT

13-24-2

- MATERIAL: NYLON 66(UL)
- FLAME CLASS: 94V-2
- COLOR: NATURAL

PART NO	A	C	PACKAGE
MDK-02	12.8	6.9	1000

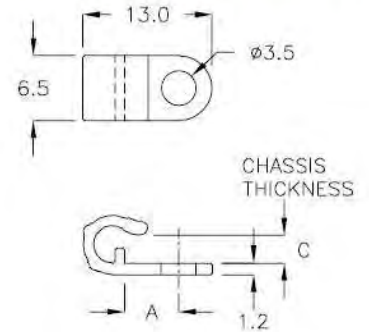


散熱片固定座 HEAT SINK MOUNT

13-24-3

- MATERIAL: NYLON 66(UL)
- FLAME CLASS: 94V-2
- COLOR: NATURAL

PART NO	A	C CHASSIS THICKNESS	PACKAGE
DAP-1A	5.4	3.0	2000

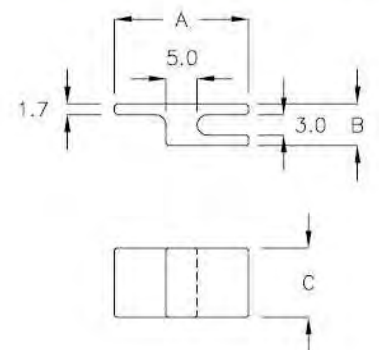


固定座 MOUNT

13-24-4

- MATERIAL: NYLON 66(UL)
- FLAME CLASS: 94V-2
- COLOR: NATURAL

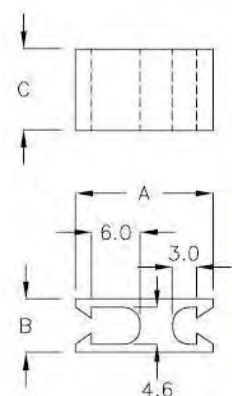
PART NO	A	B	C	PACKAGE
DAB-01	19.5	6.0	10.0	500





固定座 MOUNT 13-25-1

- MATERIAL: NYLON 66(UL)
- FLAME CLASS: 94V-2
- COLOR: NATURAL

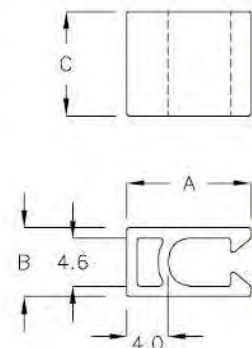


PART NO	A	B	C	PACKAGE
DAB-02	17.0	6.6	10.0	500



固定座 MOUNT 13-25-2

- MATERIAL: NYLON 66(UL)
- FLAME CLASS: 94V-2
- COLOR: NATURAL

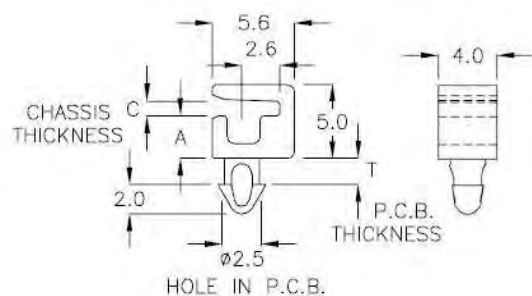


PART NO	A	B	C	PACKAGE
DAB-3A	12.0	6.6	10.0	500



散熱片固定座 HEAT SINK MOUNT 13-25-3

- MATERIAL: NYLON 66(UL)
- FLAME CLASS: 94V-2
- COLOR: NATURAL

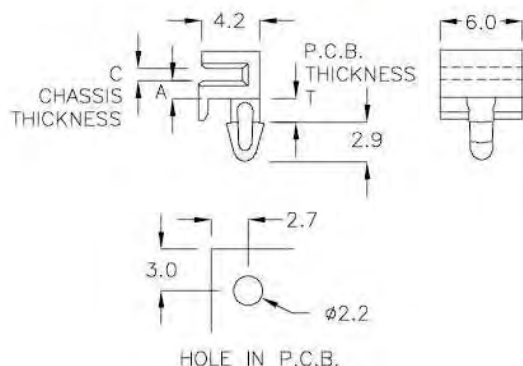


PART NO	A	C CHASSIS THICKNESS	T P.C.B. THICKNESS	PACKAGE
UBA-3A	2.9	0.8	1.6	2000



固定座 MOUNT 13-25-4

- MATERIAL: NYLON 66(UL)
- FLAME CLASS: 94V-2
- COLOR: BLACK



PART NO	A	C CHASSIS THICKNESS	T P.C.B. THICKNESS	PACKAGE
MTQ-2A	1.3	0.8	1.6	2000

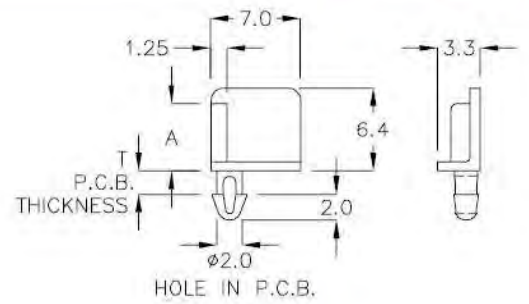


固定座 MOUNT

13-26-1

- MATERIAL: NYLON 66(UL)
- FLAME CLASS: 94V-2
- COLOR: NATURAL

PART NO	A	T P.C.B. THICKNESS	PACKAGE
MRA-6C	5.2	1.6	2000

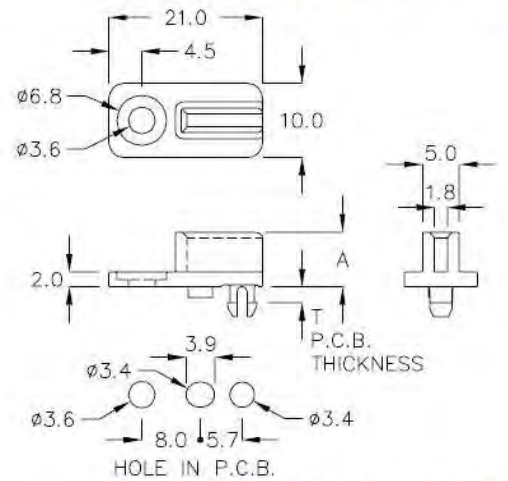


固定座 MOUNT

13-26-2

- MATERIAL: NYLON 66(UL)
- FLAME CLASS: 94V-2
- COLOR: BLACK

PART NO	A	T P.C.B. THICKNESS	PACKAGE
MFG-21HC	7.4	2.0	200



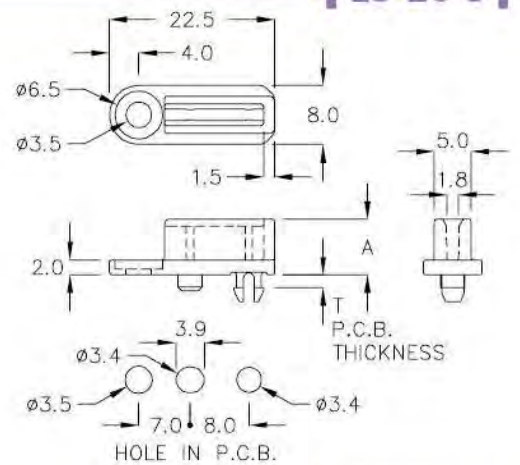
固定座 MOUNT

13-26-3

- MATERIAL: NYLON 66(UL)
- FLAME CLASS: 94V-2
- COLOR: BLACK

NEW

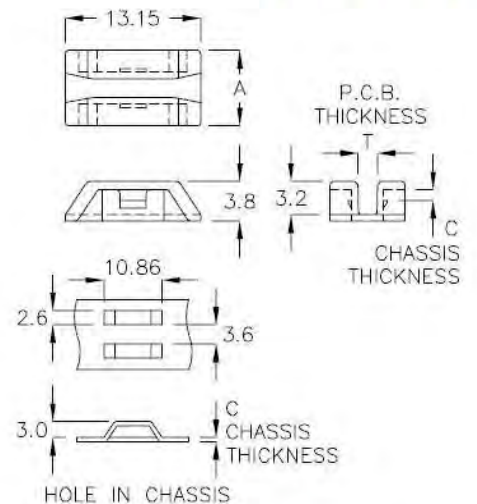
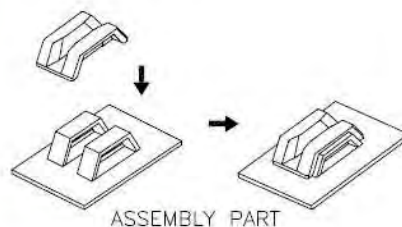
PART NO	A	T P.C.B. THICKNESS	PACKAGE
★ MFG-22TK	7.5	1.6	500



固定座 MOUNT

13-26-4

- MATERIAL: NYLON 66(UL)
- FLAME CLASS: 94V-2
- COLOR: BLACK



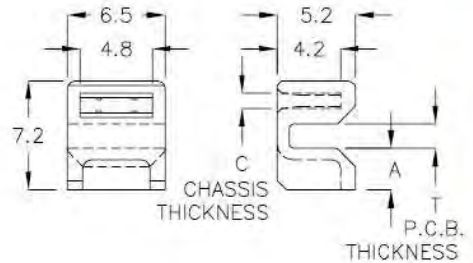
PART NO	A	C CHASSIS THICKNESS	T P.C.B. THICKNESS	PACKAGE
MTB-13A	7.3	0.8	1.6	2000



固定座 MOUNT

13-27-1

- MATERIAL: NYLON 66(UL)
- FLAME CLASS: 94V-2
- COLOR: BLACK



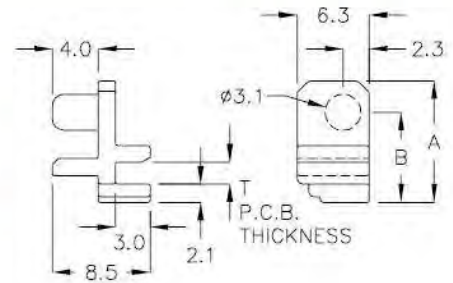
PART NO	A	C CHASSIS THICKNESS	T P.C.B. THICKNESS	PACKAGE
MDL-01	2.75	0.8	1.6	2000



固定座 MOUNT

13-27-2

- MATERIAL: NYLON 66(UL)
- FLAME CLASS: 94V-2
- COLOR: NATURAL



PART NO	A	B	T P.C.B. THICKNESS	PACKAGE
MGM-11	11.0	8.3	1.6	500
MGM-11SK	11.0	8.8	1.6	

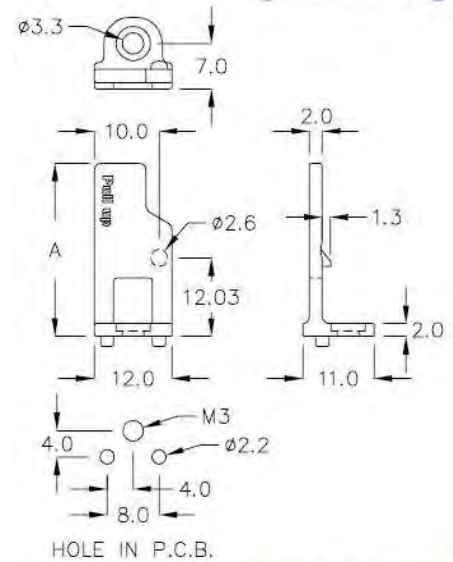


固定座 MOUNT

13-27-3

- MATERIAL: NYLON 66(UL)
- FLAME CLASS: 94V-0
- COLOR: BLUE

NEW



PART NO	A	PACKAGE
★ MGMB-28	26.5	500

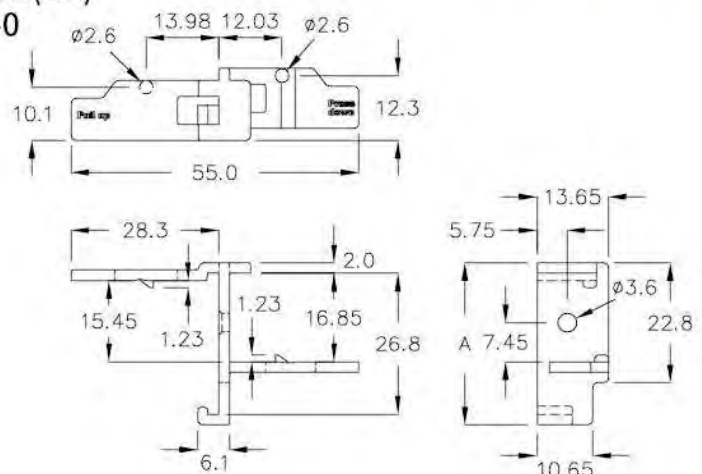


固定座 MOUNT

13-27-4

- MATERIAL: NYLON 66(UL)
- FLAME CLASS: 94V-0
- COLOR: BLUE

NEW



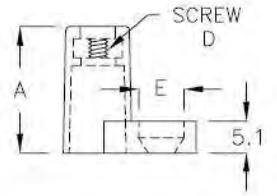
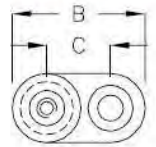
PART NO	A	PACKAGE
★ MGMA-30	30.8	500



固定座 MOUNT

- FLAME CLASS: 94V-0
- COLOR: BLACK
- MATERIAL: BRASS

13-28-1



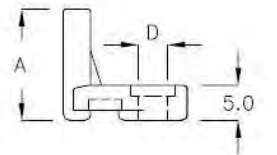
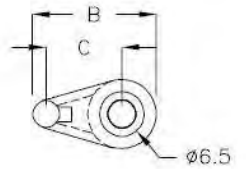
PART NO	MATERIAL	A	B	C	D	E	PACKAGE
LCM3-20	ABS	20.0	21.0	10.1	M3	φ7.1	500
LCM5-20	PBT	20.0	26.0	12.5	M5	φ10.0	



固定座 MOUNT

- MATERIAL: NYLON 66+30%FRP(UL)
- FLAME CLASS: 94V-0
- COLOR: BLACK

13-28-2



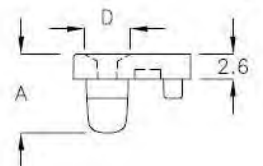
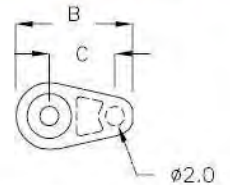
PART NO	A	B	C	D	PACKAGE
MGZ-18	16.0	18.0	11.0	φ4.2	500



固定座 MOUNT

- MATERIAL: NYLON 66(UL)
- FLAME CLASS: 94V-2
- COLOR: NATURAL

13-28-3



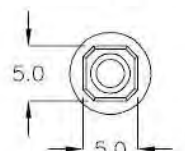
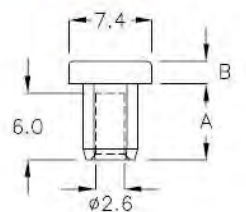
PART NO	A	B	C	D	PACKAGE
MMW-12A	8.15	12.1	6.8	φ4.7	500



固定座 MOUNT

- MATERIAL: NYLON 66(UL)
- FLAME CLASS: 94V-2
- COLOR: BLACK

13-28-4



PART NO	A	B	PACKAGE
MMW-7	6.9	2.0	500

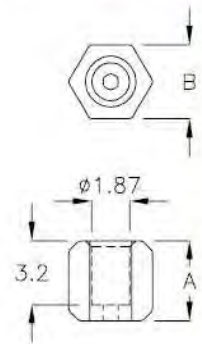


固定座 MOUNT

13-29-1

- MATERIAL: NYLON 66(UL)
- FLAME CLASS: 94V-2
- COLOR: BLACK

PART NO	A	B	PACKAGE
MGL-04	4.0	3.8	1000

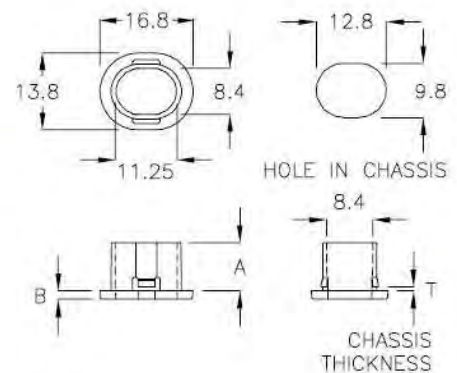


塞環 HOLE PLUG

13-29-2

- MATERIAL: NYLON 66(UL)
- FLAME CLASS: 94V-2
- COLOR: NATURAL

PART NO	A	B	T CHASSIS THICKNESS	PACKAGE
MGF-01	8.75	1.5	0.7	500

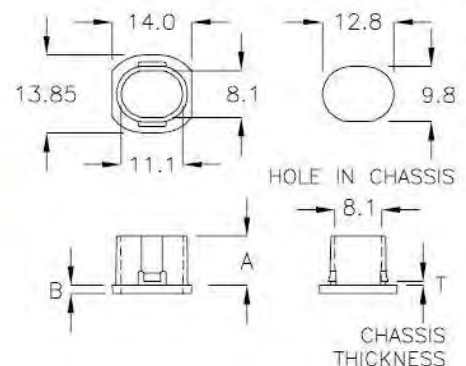


塞環 HOLE PLUG

13-29-3

- MATERIAL: NYLON 66(UL)
- FLAME CLASS: 94V-2
- COLOR: NATURAL

PART NO	A	B	T CHASSIS THICKNESS	PACKAGE
MGF-14	7.25	1.5	0.6	500

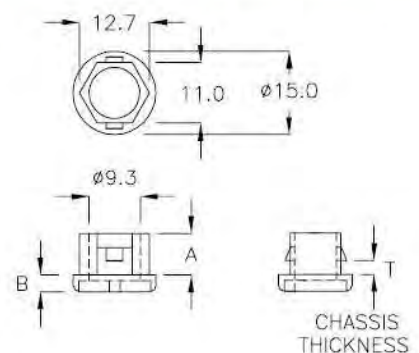


固定座 MOUNT

13-29-4

- MATERIAL: ABS
- FLAME CLASS: 94V-0
- COLOR: NATURAL

PART NO	A	B	T CHASSIS THICKNESS	PACKAGE
PED-01	7.5	3.0	2.2	1000



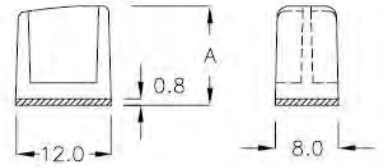
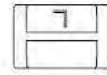


固定座 MOUNT

13-30-1

- MATERIAL: NYLON 66(UL)
- FLAME CLASS: 94V-2
- COLOR: NATURAL
- ADHESIVE TAPE: 3M

PART NO	A	PACKAGE
MML-11A	12.4	500

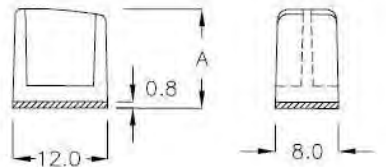
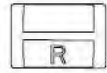


固定座 MOUNT

13-30-2

- MATERIAL: NYLON 66(UL)
- FLAME CLASS: 94V-2
- COLOR: NATURAL
- ADHESIVE TAPE: 3M

PART NO	A	PACKAGE
MMR-11A	12.4	500

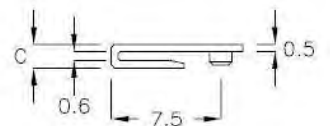
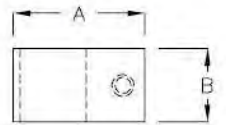


固定座 MOUNT

13-30-3

- MATERIAL: NYLON 66(UL)
- FLAME CLASS: 94V-2
- COLOR: BLACK

PART NO	A	B	C	PACKAGE
MWC-05	9.0	5.0	1.6	1000

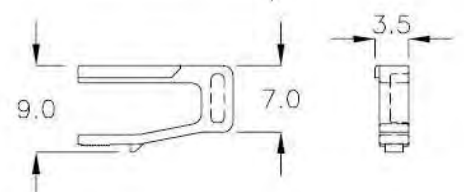
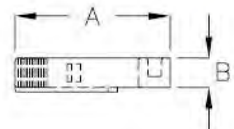


固定座 MOUNT

13-30-4

- MATERIAL: NYLON 66(UL)
- FLAME CLASS: 94V-2
- COLOR: NATURAL

PART NO	A	B	PACKAGE
HPA-16K	16.6	3.1	500

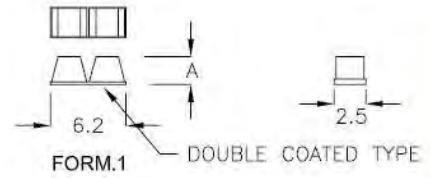




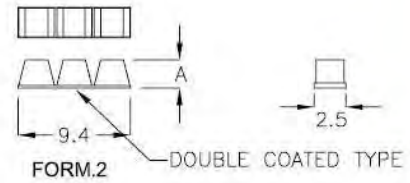
支撐柱 CHIP SUPPORT

13-31-1

- MATERIAL: NYLON 66(UL)
- FLAME CLASS: 94V-2
- COLOR: BLACK
- ADHESIVE TAPE: DEXERIALS or EQUIVALENT



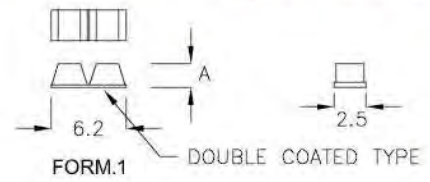
PART NO	A	FORM	PACKAGE
DPM-02T	2.5	1	5000
DPM-3AT	2.5	2	



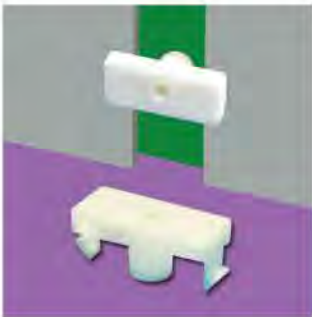
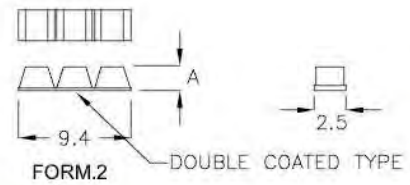
支撐柱 CHIP SUPPORT

13-31-2

- MATERIAL: NYLON 66(UL)
- FLAME CLASS: 94V-2
- COLOR: BLACK
- ADHESIVE TAPE: DEXERIALS or EQUIVALENT



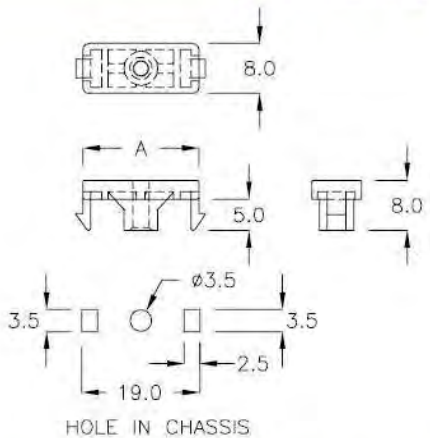
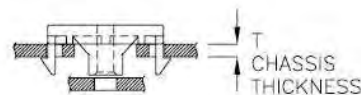
PART NO	A	FORM	PACKAGE
DPS-2CK	2.2	1	5000
DPS-3FQ	2.2	2	



固定座 MOUNT

13-31-3

- MATERIAL: NYLON 66(UL)
- FLAME CLASS: 94V-2
- COLOR: NATURAL
- USE M3 TAPPING SCREW



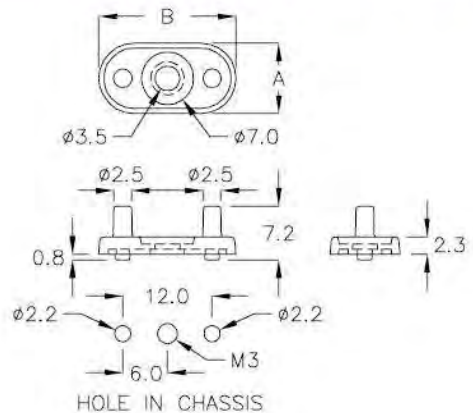
PART NO	A	T CHASSIS THICKNESS	PACKAGE
MGK-18F	18.7	2.0	500



固定座 MOUNT

13-31-4

- MATERIAL: NYLON 66(UL)
- FLAME CLASS: 94V-0
- COLOR: BLACK



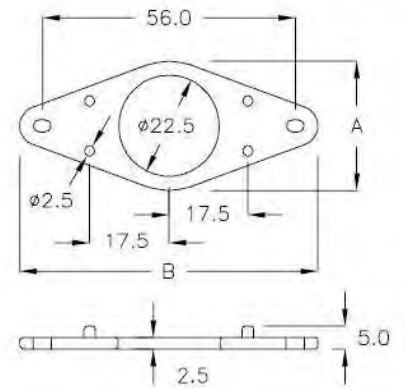
PART NO	A	B	PACKAGE
MGKH-18	9.4	18.4	500



喇叭座 SPEAKER HOUSING

13-32-1

- MATERIAL: POM
- COLOR: WHITE



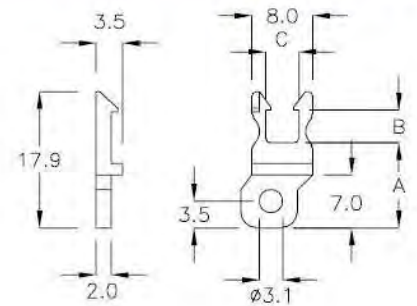
PART NO	A	B	PACKAGE
SP-2866	28.5	66.0	200



電線固定扣 CABLE CLAMP

13-32-2

- MATERIAL: NYLON 66(UL)
- FLAME CLASS: 94V-2
- COLOR: NATURAL



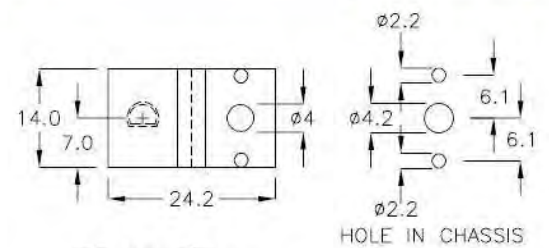
PART NO	A	B	C	PACKAGE
LQC-02	11.2	4.2	4.4	500



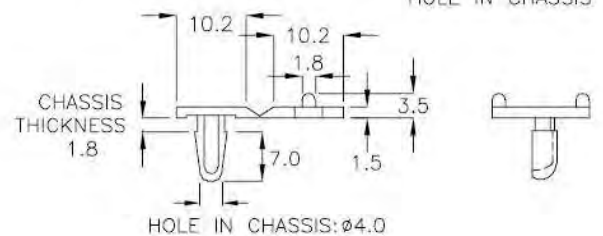
P.C. 板固定扣 P.C.B. HINGE

13-32-3

- MATERIAL: PP
- COLOR: NATURAL



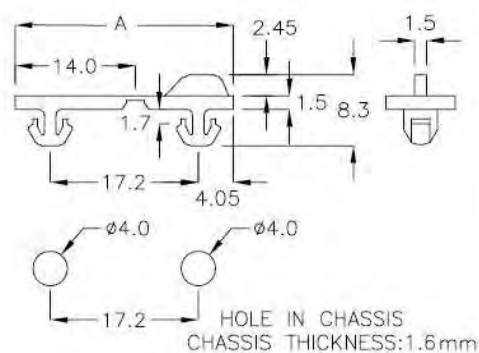
PART NO	A	PACKAGE
BH-5	24.2	1000





P.C. 板固定扣 P.C.B. HINGE 13-33-1

- MATERIAL: NYLON 66(UL)
- FLAME CLASS: 94V-2
- COLOR: NATURAL

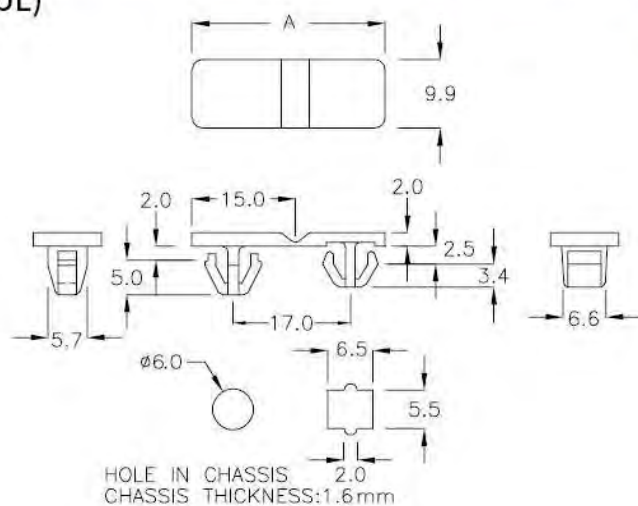


PART NO	A	PACKAGE
BH-6	25.3	500



P.C. 板固定扣 P.C.B. HINGE 13-33-2

- MATERIAL: NYLON 66(UL)
- FLAME CLASS: 94V-2
- COLOR: NATURAL

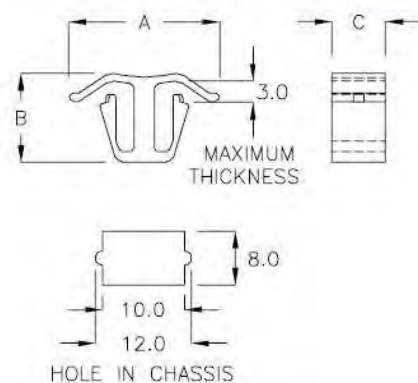


PART NO	A	PACKAGE
BH-7	28.0	500



固定扣 CANOE CLIP 13-33-3

- MATERIAL: PC(UL)
- FLAME CLASS: 94V-2
- COLOR: BLACK



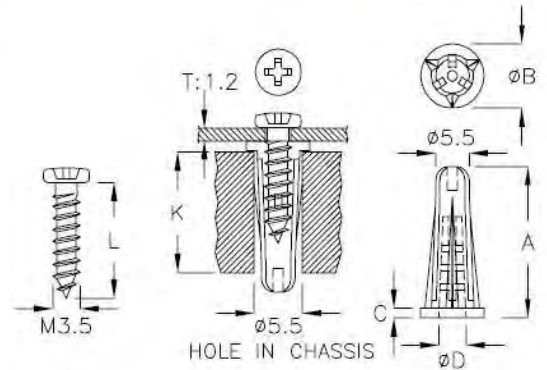
PART NO	A	B	C	PACKAGE
DCQ-01	21.9	12.8	7.8	500



螺絲固定座 WALL INSERT

13-34-1

- MATERIAL: NYLON 66(UL)
- FLAME CLASS: 94V-2
- COLOR: NATURAL



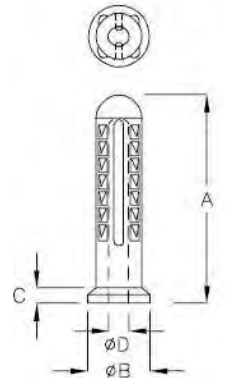
PART NO	A	B	C	D	K CHASSIS THICKNESS	L SCREW LENGTH	PACKAGE
MHW-01	18.7	7.9	1.2	3.4	>22.0	12.0	1000
MHW-02	22.0	8.2	1.0	4.6	>25.0	14.0	
MHW-03	22.3	8.0	1.0	3.8	>25.0	14.0	
MHW-04	33.0	8.0	1.0	3.5	>35.0	20.0	



螺絲固定座 WALL INSERT

13-34-2

- MATERIAL: PE
- COLOR: NATURAL



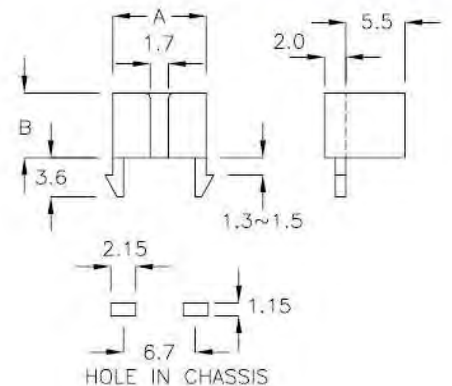
PART NO	A	B	C	D	HOLE IN CHASSIS	CHASSIS THICKNESS	TAPPING SCREW	SCREW LENGTH	PACKAGE
MHM-30	30.0	9.0	2.2	2.9	ø6.7	33.0	M4	12.0	500



固定座 EDGE CONNECT BASE

13-34-3

- MATERIAL: NYLON 66(UL)
- FLAME CLASS: 94V-2
- COLOR: NATURAL



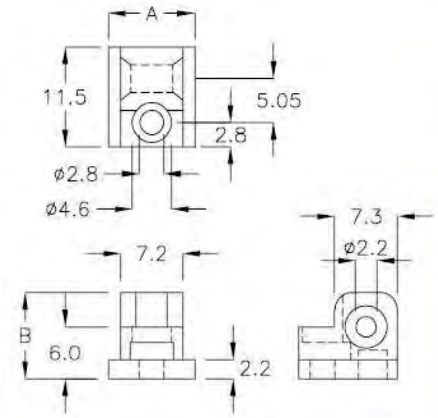
PART NO	A	B	PACKAGE
MH-4	8.7	6.0	1000



固定座 EDGE CONNECT BASE 13-35-1

- MATERIAL: NYLON 66(UL)
- FLAME CLASS: 94V-2
- COLOR: NATURAL
- WITH COUNTERSUNK SCREW

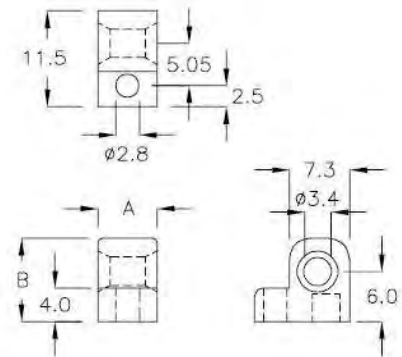
PART NO	A	B	PACKAGE
MH-5	10.0	10.0	1000



固定座 EDGE CONNECT BASE 13-35-2

- MATERIAL: NYLON 66(UL)
- FLAME CLASS: 94V-2
- COLOR: NATURAL
- WITH COUNTERSUNK SCREW

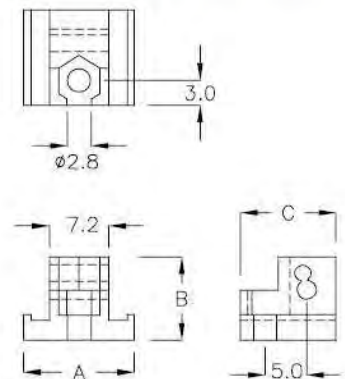
PART NO	A	B	PACKAGE
MH-05C	7.2	10.0	1000



固定座 EDGE CONNECT BASE 13-35-3

- MATERIAL: NYLON 66(UL)
- FLAME CLASS: 94V-2
- COLOR: NATURAL

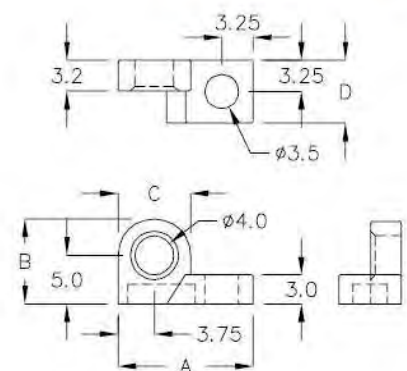
PART NO	A	B	C	PACKAGE
MH-6	13.4	10.0	11.5	500



固定座 EDGE CONNECT BASE 13-35-4

- MATERIAL: NYLON 66(UL)
- FLAME CLASS: 94V-2
- COLOR: NATURAL

PART NO	A	B	C	D	PACKAGE
MH-6A	14.0	8.75	7.5	6.5	500

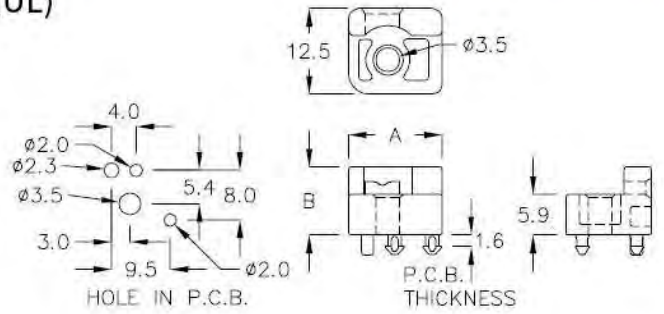




固定座 MOUNT

13-36-1

- MATERIAL: NYLON 66(UL)
- FLAME CLASS: 94V-0
- COLOR: BLACK



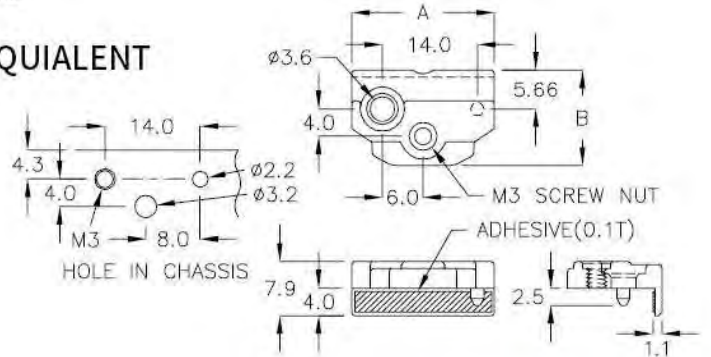
PART NO	A	B	PACKAGE
MH-13AK	13.8	9.9	500



固定座 MOUNT

13-36-2

- MATERIAL: ABS(UL)
- FLAME CLASS: 94HB
- COLOR: NATURAL
- ADHESIVE TAPE: EQUIALENT



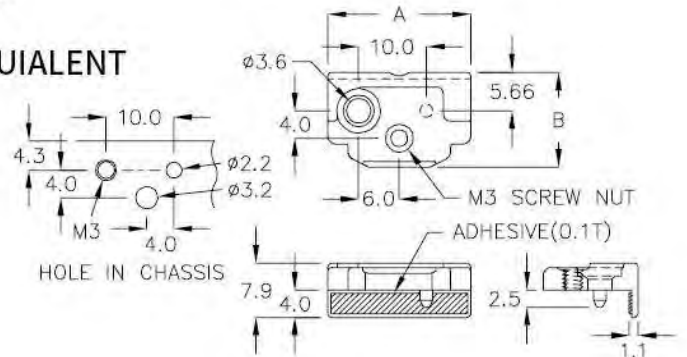
PART NO	A	B	PACKAGE
MRN-21KG	21.0	13.9	500



固定座 MOUNT

13-36-3

- MATERIAL: ABS(UL)
- FLAME CLASS: 94HB
- COLOR: BLACK
- ADHESIVE TAPE: EQUIALENT



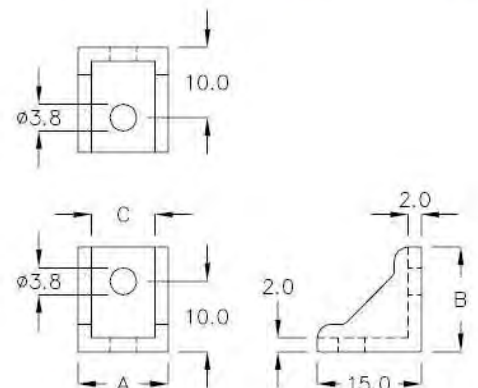
PART NO	A	B	PACKAGE
MRN-21YL	21.0	13.9	500



固定座 EDGE CONNECT BASE

13-36-4

- MATERIAL: NYLON 66(UL)
- FLAME CLASS: 94V-0
- COLOR: BLACK

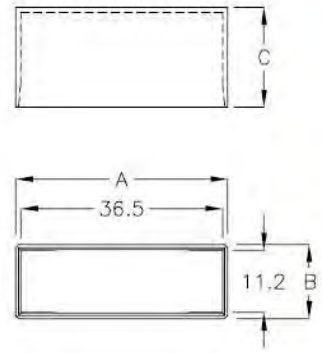


PART NO	A	B	C	PACKAGE
MMX-15F	13.0	15.0	9.0	200



散熱片護套 HEAT SINK COVER ————— | 13-37-1 |

- MATERIAL: NYLON 66(UL)
- FLAME CLASS: 94V-2
- COLOR: BLACK

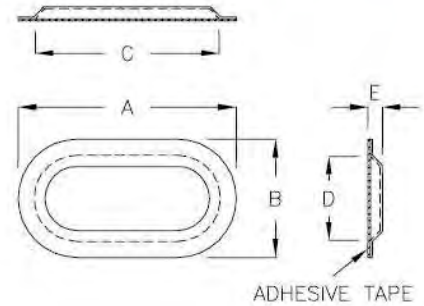


PART NO	A	B	C	PACKAGE
HDA-01	38.5	13.3	18.0	200



保護罩 INSULATION CAP ————— | 13-37-2 |

- MATERIAL: PP
- COLOR: BLACK

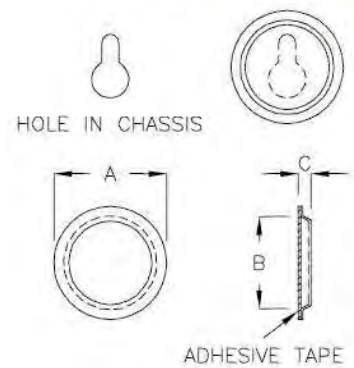


PART NO	A	B	C	D	E	PACKAGE
HD-27MQ	27.0	17.5	20.4	10.9	3.43	1200
HD-34	33.4	19.1	27.3	13.0	2.3	840
HD-35FC	35.3	21.5	28.4	14.9	5.13	840
HD-52	51.7	28.0	44.0	20.0	3.0	450



保護罩 INSULATION CAP ————— | 13-37-3 |

- MATERIAL: PP(UL)
- COLOR: BLACK



PART NO	A	B	C	PACKAGE
HD-24C	∅24.0	∅18.0	2.3	990
HD-26	∅26.0	∅19.7	2.3	
HD-31A	∅31.6	∅21.3	2.8	690
★ HD-31CD	∅31.6	∅21.3	3.2	

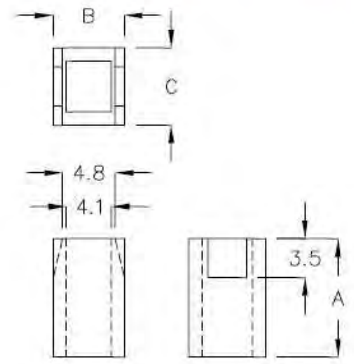


固定座 MOUNT

13-38-1

- MATERIAL: NYLON 66(UL)
- FLAME CLASS: 94V-2
- COLOR: BLACK

PART NO	A	B	C	PACKAGE
D-0710	10.8	6.5	7.0	1000

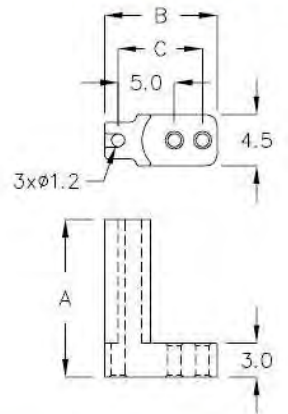


固定座 MOUNT

13-38-2

- MATERIAL: PBT
- FLAME CLASS: 94V-0
- COLOR: NATURAL

PART NO	A	B	C	D	PACKAGE
MJC-15	15.5	10.0	7.5	Ø1.2	500

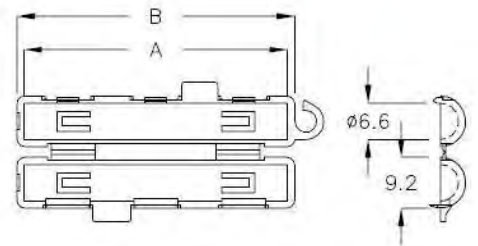


保險絲盒 FUSE BOX

13-38-3

- MATERIAL: NYLON 66(UL)
- FLAME CLASS: 94V-2
- COLOR: NATURAL

PART NO	A	B	PACKAGE
MFH-50	48.2	51.0	500



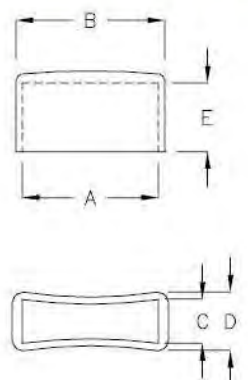
保險絲蓋 FUSE COVER

13-38-4

- MATERIAL: PVC
- COLOR: NATURAL

UL® E122477(S)

PART NO	A	B	C	D	E	UL	PACKAGE
FH-1	19.8	22.6	5.6	8.4	11.0	UL	1000
FH-1L	22.0	24.0	6.0	8.0	11.0	UL	
FH-1S	18.0	20.5	5.3	7.8	10.0	UL	
FH-3	31.6	33.6	9.5	12.0	13.0	UL	500
FH-3A	31.0	33.6	8.1	10.5	11.5	UL	
FH-13	12.2	14.2	4.7	6.7	9.0	UL	1000

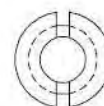
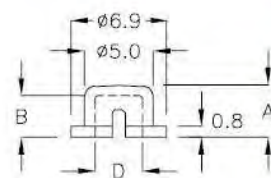




開關延長蓋 SWITCH EXTENDING COVER — 13-39-1

- MATERIAL: NYLON 66(UL)
- FLAME CLASS: 94V-2
- COLOR: BLACK

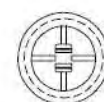
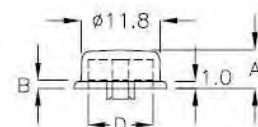
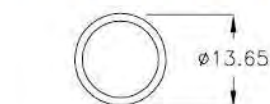
PART NO	A	B	D	PACKAGE
HSA-01	3.8	3.0	ø3.4	1000



開關延長蓋 SWITCH EXTENDING COVER — 13-39-2

- MATERIAL: NYLON 66(UL)
- FLAME CLASS: 94V-2
- COLOR: BLACK

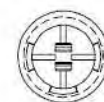
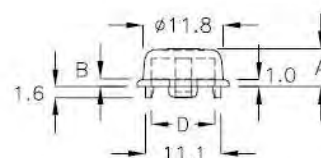
PART NO	A	B	D	PACKAGE
HS-5A	5.6	1.2	ø9.5	1000



開關延長蓋 SWITCH EXTENDING COVER — 13-39-3

- MATERIAL: NYLON 66(UL)
- FLAME CLASS: 94V-2
- COLOR: BLACK

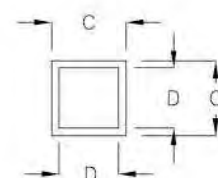
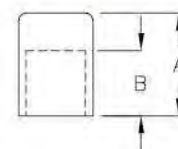
PART NO	A	B	D	PACKAGE
HS-5K	5.6	1.2	ø9.5	1000



開關延長蓋 SWITCH EXTENDING COVER — 13-39-4

- MATERIAL: NYLON 66(UL)
- FLAME CLASS: 94V-2
- COLOR: NATURAL

PART NO	A	B	C	D	PACKAGE
HS-1	5.5	3.5	4.0	3.2	2000
HS-01A	4.7	3.45	5.25	3.2	
HS-1S	4.7	3.45	5.25	3.3	
HS-2	6.5	4.5	5.0	2.8	
HS-2H	4.4	3.0	5.0	2.7	

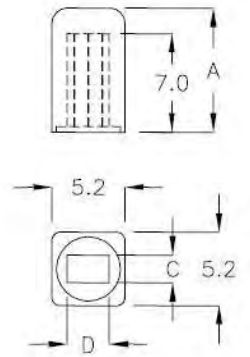




開關延長蓋 SWITCH EXTENDING COVER — 13-40-1

- MATERIAL: ABS
- FLAME CLASS: 94HB
- COLOR: BLACK

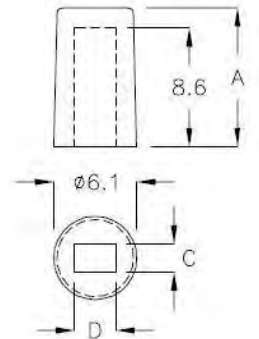
PART NO	A	C	D	PACKAGE
HS-009	8.8	2.0	3.0	2000



開關延長蓋 SWITCH EXTENDING COVER — 13-40-2

- MATERIAL: NYLON 66(UL)
- FLAME CLASS: 94V-2
- COLOR: BLACK, NATURAL

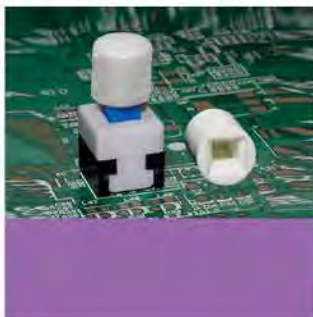
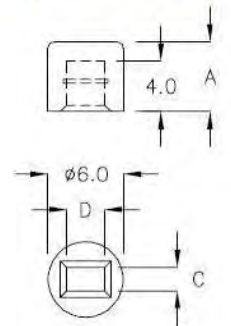
PART NO	A	C	D	PACKAGE
HS-1C	9.6	2.0	3.0	2000



開關延長蓋 SWITCH EXTENDING COVER — 13-40-3

- MATERIAL: NYLON 66(UL)
- FLAME CLASS: 94V-2
- COLOR: BLACK, NATURAL

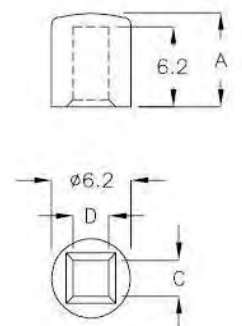
PART NO	A	C	D	PACKAGE
HS-06C	5.5	1.9	3.0	2000



開關延長蓋 SWITCH EXTENDING COVER — 13-40-4

- MATERIAL: ABS
- FLAME CLASS: 94HB
- COLOR: NATURAL

PART NO	A	C	D	PACKAGE
HSQ-7C	7.3	2.8	2.8	2000

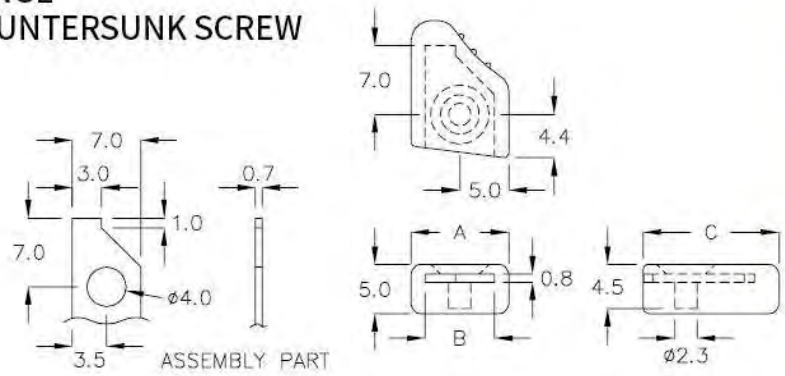




把手蓋 EJECTOR COVER | 13-61-1 |

- MATERIAL: PC(UL)
- COLOR: ORANGE
- USE M2.5 COUNTERSUNK SCREW

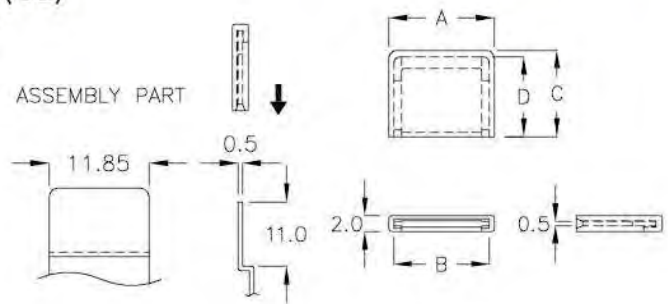
PART NO	A	B	C	PACKAGE
MHL-10KF	10.0	7.1	13.9	500



把手蓋 EJECTOR COVER | 13-61-2 |

- MATERIAL: NYLON 66(UL)
- FLAME CLASS: 94V-0
- COLOR: BLACK

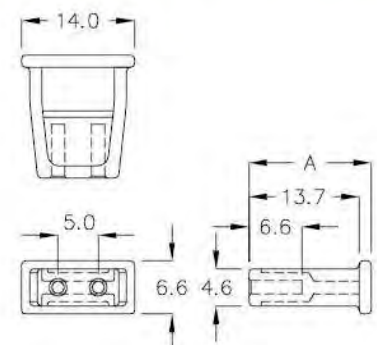
PART NO	A	B	C	D	PACKAGE
MHL-13CK	13.3	12.1	10.85	10.05	1000



把手蓋 EJECTOR COVER | 13-61-3 |

- MATERIAL: NYLON 66(UL)
- FLAME CLASS: 94V-0
- COLOR: BLUE
- USE M2 TAPPING SCREW

PART NO	A	PACKAGE
MHLF-15A	15.2	500

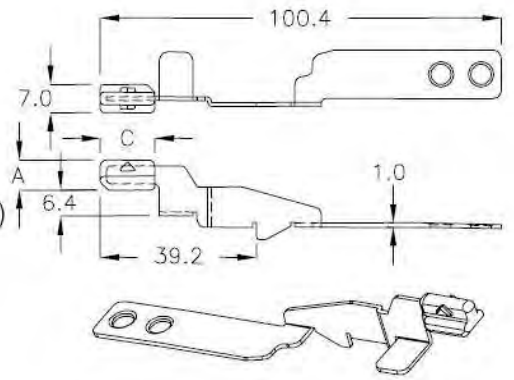




把手蓋 EJECTOR COVER 13-62-1

- MATERIAL: ABS+PC
- FLAME CLASS: 94V-0
- COLOR: GREEN
- MATERIAL: SUS301
- COLOR: NATURAL

鐵件為客戶提供，我司協助包埋射出
(此為客製品，歡迎提供鐵件，我司協助包埋)



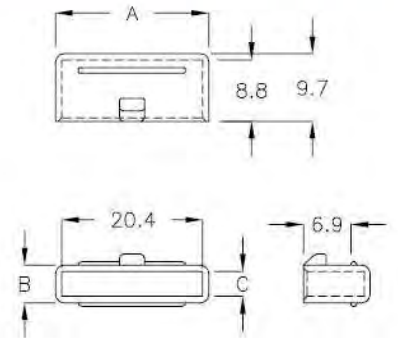
PART NO	A	C	PACKAGE
MHLA-14GP	7.5	13.7	50



SATA 防塵蓋 SATA DUST COVER 13-62-2

- MATERIAL: NYLON 66(UL)
- FLAME CALSS: 94V-2
- COLOR: BLACK

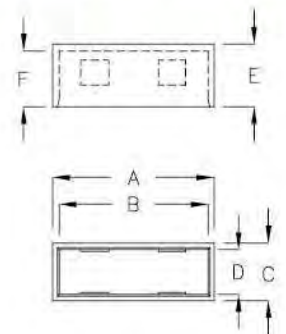
PART NO	A	B	C	PACKAGE
HTD-20A	22.2	5.4	3.6	1000

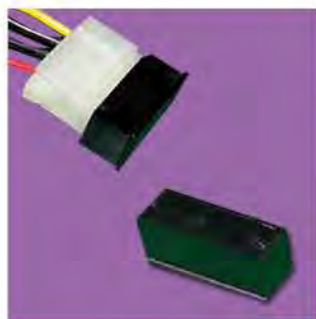


SATA 防塵蓋 SATA DUST COVER 13-62-3

- MATERIAL: NYLON 66(UL)
- FLAME CALSS: 94V-2
- COLOR: NATURAL

PART NO	A	B	C	D	E	F	PACKAGE
HC-21	23.4	21.6	8.2	6.4	9.0	8.0	500

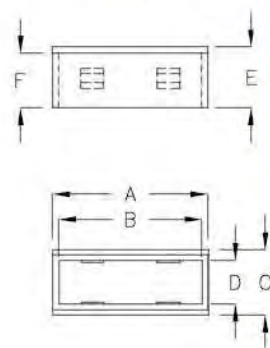




SATA 防塵蓋 SATA DUST COVER ———— | 13-63-1 |

- MATERIAL: NYLON 66(UL)
- FLAME CLASS: 94V-2
- COLOR: BLACK

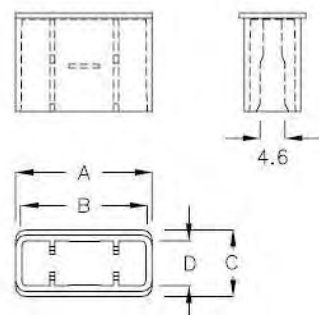
PART NO	A	B	C	D	E	F	PACKAGE
HC-21F	23.9	22.0	10.0	6.6	9.3	8.3	500
HC-21H	23.0	21.1	10.4	6.5	9.1	8.1	



SATA 防塵蓋 SATA DUST COVER ———— | 13-63-2 |

- MATERIAL: ABS(UL)
- FLAME CLASS: 94V-2
- COLOR: BLACK

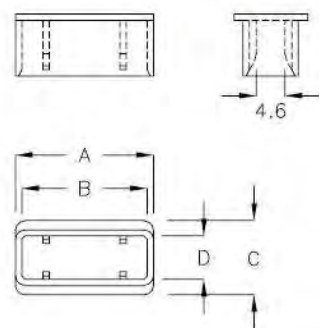
PART NO	A	B	C	D	PACKAGE
HC-27A	26.7	24.7	13.0	8.6	500



SATA 防塵蓋 SATA DUST COVER ———— | 13-63-3 |

- MATERIAL: PC(UL)
- FLAME CLASS: 94V-2
- COLOR: BLACK

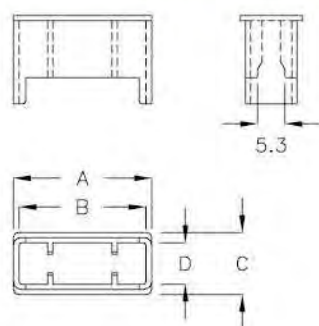
PART NO	A	B	C	D	PACKAGE
HCQ-22KR	22.5	20.5	12.0	7.0	500



SATA 防塵蓋 SATA DUST COVER ———— | 13-63-4 |

- MATERIAL: ABS(UL)
- FLAME CLASS: 94V-0
- COLOR: BLACK

PART NO	A	B	C	D	PACKAGE
HC-27C	26.8	24.4	12.0	8.0	500



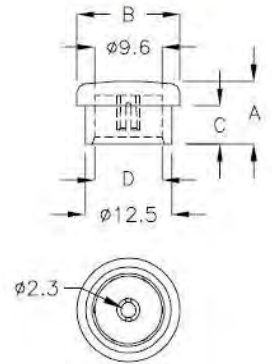


網通光纖接頭防塵蓋 TRANSPORTER COVER

- MATERIAL: NYLON 66(UL)
- FLAME CLASS: 94V-2
- COLOR: BLACK

PART NO	A	B	C	D	PACKAGE
HB-01	9.0	ø15.0	5.5	ø9.8	1000

13-64-1

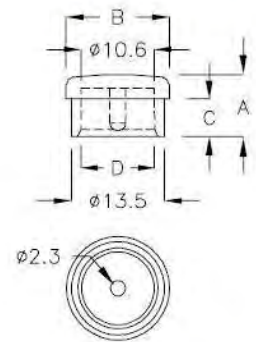


網通光纖接頭防塵蓋 TRANSPORTER COVER

- MATERIAL: NYLON 66(UL)
- FLAME CLASS: 94V-2
- COLOR: BLACK

PART NO	A	B	C	D	PACKAGE
HB-02	9.0	ø15.0	5.5	ø10.7	1000

13-64-2

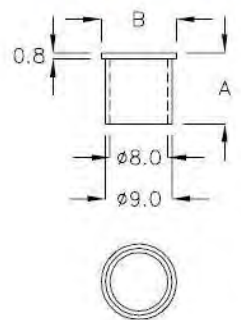


PS/2 防塵蓋 PS/2 DUST COVER

- MATERIAL: PP
- COLOR: BLACK

PART NO	A	B	PACKAGE
HB-03	10.4	ø10.5	1000

13-64-3

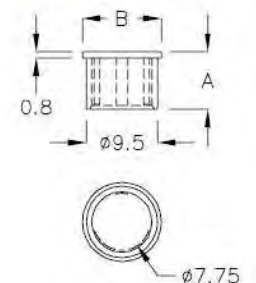


BNC 防塵蓋 BNC DUST COVER

- MATERIAL: NYLON 66(UL)
- FLAME CLASS: 94V-2
- COLOR: BLACK

PART NO	A	B	PACKAGE
HBK-8D	7.6	ø10.5	500

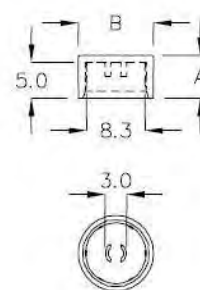
13-64-4





AVI 端子防塵蓋 DUST COVER 13-65-1

- MATERIAL: NYLON 66(UL)
- FLAME CLASS: 94V-2
- COLOR: BLACK

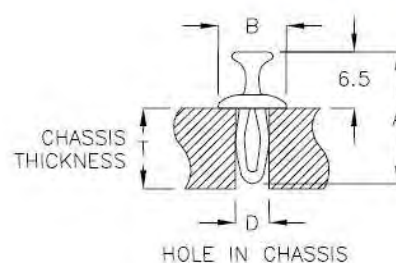


PART NO	A	B	PACKAGE
AVI-01	6.0	∅10.6	1000



音源孔插頭蓋 AUDIO SOURCE HOLE COVER 13-65-2

- MATERIAL: NYLON 66(UL)
- FLAME CLASS: 94V-2
- COLOR: BLACK

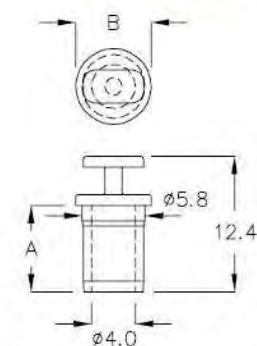


PART NO	A	B	T CHASSIS THICKNESS	D HOLE IN CHASSIS	PACKAGE
MBJ-3A	15.3	∅7.9	>8.8	∅3.6~∅3.65	2000



插頭蓋 DC COVER 13-65-3

- MATERIAL: NYLON 66(UL)
- FLAME CLASS: 94V-2
- COLOR: BLACK

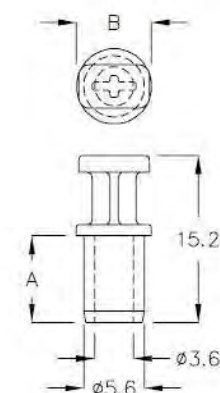


PART NO	A	B	PACKAGE
DCC-5JA	7.9	∅6.9	2000



插頭蓋 DC COVER 13-65-4

- MATERIAL: NYLON 66(UL)
- FLAME CLASS: 94V-2
- COLOR: BLACK



PART NO	A	B	PACKAGE
DCJ-5GK	7.9	∅6.9	2000

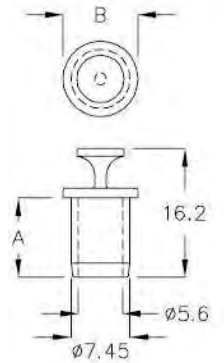


插頭蓋 DC COVER

13-66-1

- MATERIAL: NYLON 66(UL)
- FLAME CLASS: 94V-2
- COLOR: BLACK

PART NO	A	B	PACKAGE
DCC-7AK	10.0	ø9.5	2000

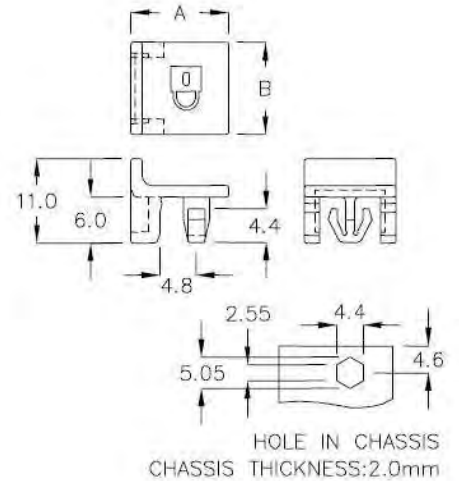


固定座 MOUNT

13-66-2

- MATERIAL: NYLON 66(UL)
- FLAME CLASS: 94V-2
- COLOR: BLACK

PART NO	A	B	PACKAGE
DHD-01	12.8	12.0	500

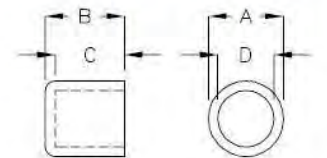


防塵蓋 DUST COVER

13-66-3

- COLOR: NATURAL, BLACK

PART NO	MATERIAL	A	B	C	D	PACKAGE
HC-5	N66	ø8.0	5.2	4.7	ø6.5	2000
HC-5S	N66	ø8.0	3.0	2.6	ø6.5	
HC-6	TPE	ø8.0	8.5	7.4	ø6.0	1000
HC-6DP	TPE	ø8.0	5.4	4.3	ø6.0	
HC-8	N66	ø10.7	8.2	6.8	ø8.0	
HC-9	TPE	ø11.0	9.7	8.7	ø9.0	
HC-10	N66	ø12.0	9.2	8.0	ø10.0	

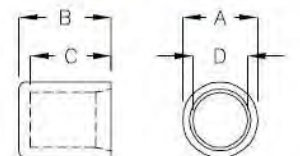


防塵蓋 DUST COVER

13-66-4

- MATERIAL: SILICONE
- COLOR: BLACK

PART NO	A	B	B	D	PACKAGE
VCK-5A	ø6.6	8.1	7.1	ø4.8	2000
VCK-7K	ø7.7	12.0	11.5	ø6.7	1000
VCK-8D	ø9.6	12.0	11.5	ø8.6	

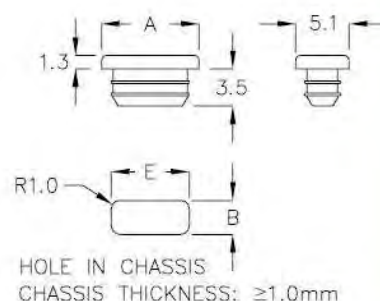




K-LOCK 防塵蓋 K-LOCK COVER ————— | 13-67-1 |

- MATERIAL: TPE
- COLOR: BLACK

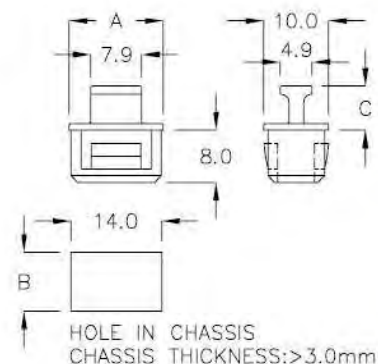
PART NO	A	B	E	PACKAGE
NEF-9DL	9.3	3.2	7.4	2000
NEF-9WS	9.3	3.0	7.0	



SFP 防塵蓋 SFP CONNECTOR COVER ————— | 13-67-2 |

- MATERIAL: PE
- COLOR: BLACK

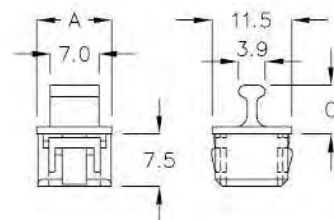
PART NO	A	B	C	PACKAGE
NEP-01	14.5	9.0	6.9	500
NEP-1QM	14.0	8.9	6.8	



MINI SAS 防塵蓋 MINI SAS CONNECTOR COVER ————— | 13-67-3 |

- MATERIAL: NYLON 66(UL)
- FLAME CLASS: 94V-2
- COLOR: BLACK

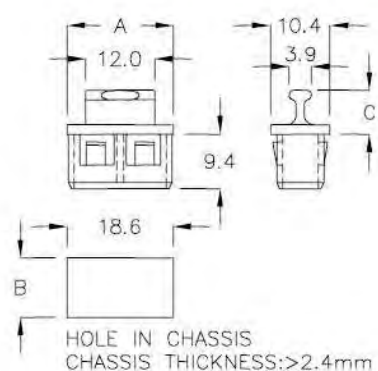
PART NO	A	C	PACKAGE
NSA-10C	10.85	7.0	500



QSFP 防塵蓋 QSFP CONNECTOR COVER ————— | 13-67-4 |

- MATERIAL: NYLON 66(UL)
- FLAME CLASS: 94V-2
- COLOR: BLACK

PART NO	A	B	C	PACKAGE
NEC-18	18.6	8.85	7.6	500
NEC-18GD	18.6	8.35	7.6	

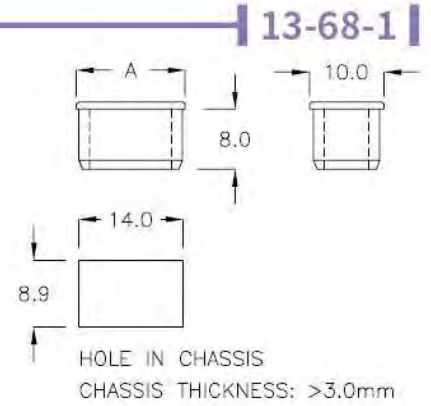




SFP 防塵蓋 SFP CONNECTOR COVER

- MATERIAL: PE
- COLOR: BLACK

PART NO	A	PACKAGE
NEK-14	14.6	500



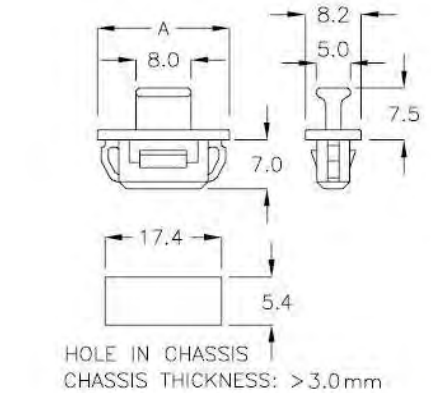
13-68-1



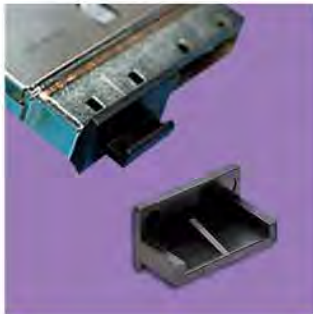
MINI SII 插頭蓋 MINI SII COVER

- MATERIAL: PE
- COLOR: BLACK

PART NO	A	PACKAGE
NEY-01	19.2	500



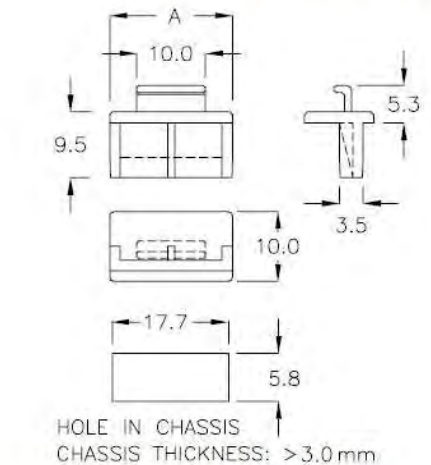
13-68-2



MINI SII 插頭蓋 MINI SII COVER

- MATERIAL: PP
- COLOR: BLACK

PART NO	A	PACKAGE
NEY-2A	17.8	500



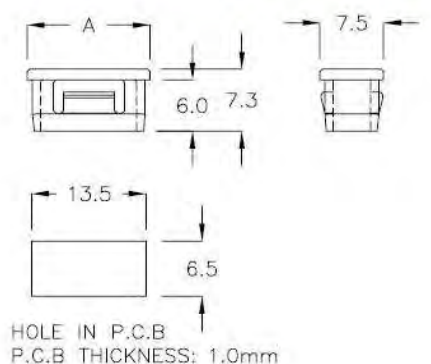
13-68-3



防塵蓋 DUST COVER

- MATERIAL: NYLON 66(UL)
- FLAME CLASS: 94V-2
- COLOR: BLACK

PART NO	A	PACKAGE
HBC-14CK	14.5	1000



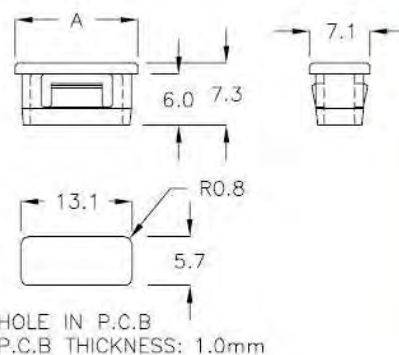
13-68-4



防塵蓋 DUST COVER 13-69-1

- MATERIAL: NYLON 66(UL)
- FLAME CLASS: 94V-2
- COLOR: BLACK

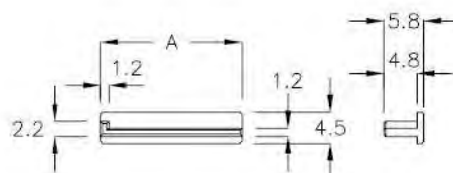
PART NO	A	PACKAGE
HBC-14FM	14.5	1000



防塵蓋 POWER CONNECTOR COVER 13-69-2

- MATERIAL: NYLON 66(UL)
- FLAME CLASS: 94V-2
- COLOR: BLACK

PART NO	A	PACKAGE
HBF-01	20.5	1000

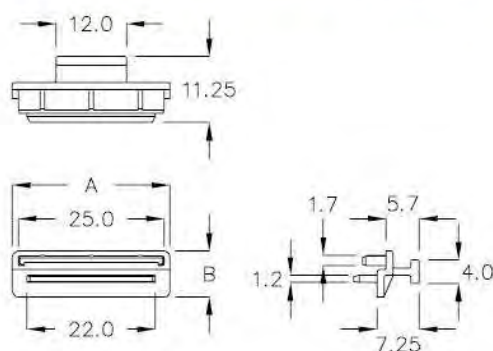


MCIO 防塵蓋 MCIO CONNECTOR COVER 13-69-3

- MATERIAL: ABS+PC
- COLOR: BLACK

NEW

PART NO	A	B	PACKAGE
★ HCKA-27	27.0	7.8	500

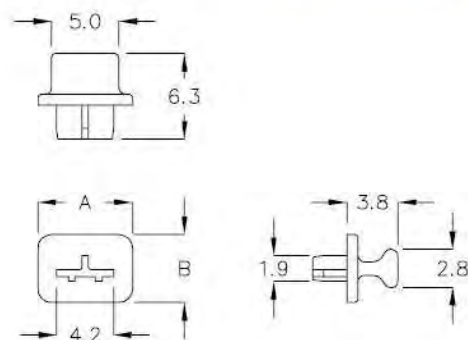


防塵蓋 DUST COVER 13-69-4

- MATERIAL: ABS+PC
- COLOR: BLACK

NEW

PART NO	A	B	PACKAGE
★ HCKB-4A	7.0	5.0	500



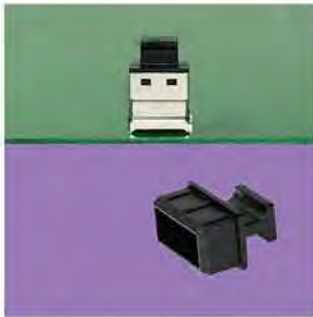
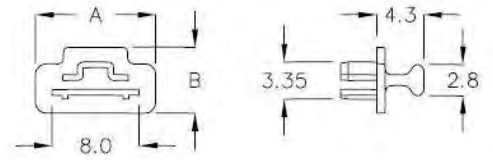
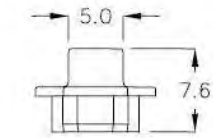


防塵蓋 DUST COVER 13-70-1

- MATERIAL: ABS+PC
- COLOR: BLACK

NEW

PART NO.	A	B	PACKAGE
★ HCKC-8A	11.0	6.0	500

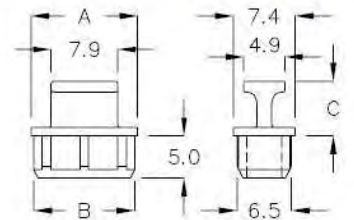


SLIM SAS X4 防塵蓋 SLIM SAS X4 CONNECTOR COVER 13-70-2

- MATERIAL: ABS+PC
- COLOR: BLACK

NEW

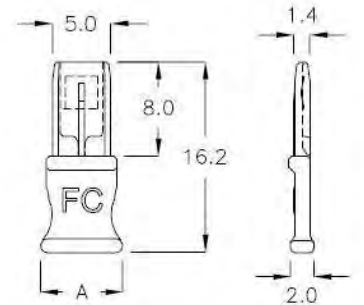
PART NO.	A	B	C	PACKAGE
★ HCKF-12	12.7	12.0	6.5	500



防塵蓋 DUST COVER 13-70-3

- MATERIAL: NYLON 66(UL)
- FLAME CLASS: 94V-2
- COLOR: BLACK

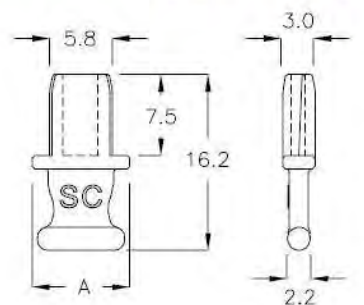
PART NO.	A	PACKAGE
HCL-5M	7.0	1000



防塵蓋 DUST COVER 13-70-4

- MATERIAL: TPE
- COLOR: BLACK

PART NO.	A	PACKAGE
HCW-6T	9.0	1000

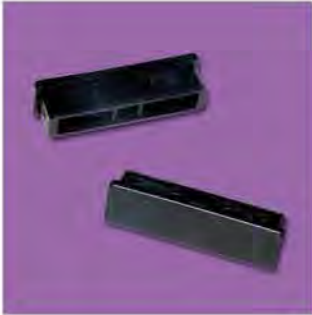
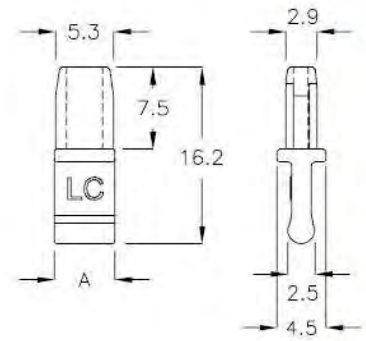




防塵蓋 DUST COVER 13-71-1

- MATERIAL: TPE
- COLOR: BLACK

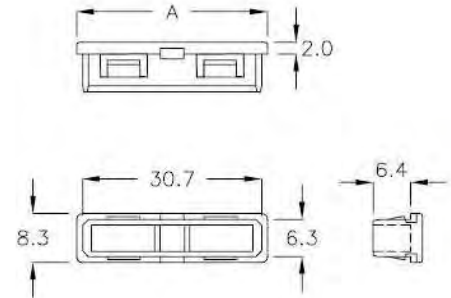
PART NO	A	PACKAGE
HCZ-5A	5.6	1000



防塵蓋 DUST COVER 13-71-2

- MATERIAL: PE
- COLOR: BLACK

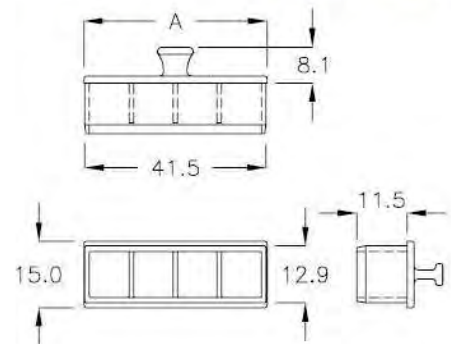
PART NO	A	PACKAGE
NER-30A	32.5	500



防塵蓋 DUST COVER 13-71-3

- MATERIAL: NYLON 66(UL)
- FLAME CLASS: 94V-2
- COLOR: BLACK

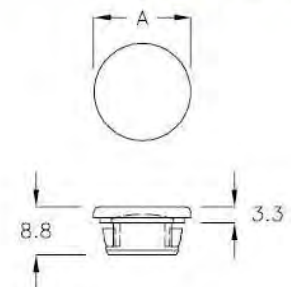
PART NO	A	PACKAGE
CFP-41A	41.7	200



防塵蓋 DUST COVER 13-71-4

- MATERIAL: NYLON 66(UL)
- FLAME CLASS: 94V-2
- COLOR: NATURAL

PART NO	A	PACKAGE
HBA-01	∅18.0	1000



HOLE IN CHASSIS: ∅13.5
CHASSIS THICKNESS: >2.0mm

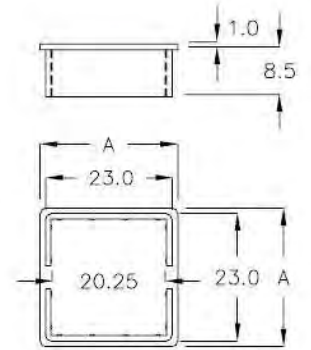


防塵蓋 DUST COVER

13-72-1

- MATERIAL: NYLON 66(UL)
- FLAME CLASS: 94V-2
- COLOR: NATURAL

PART NO	A	PACKAGE
HKA-20A	25.0	200

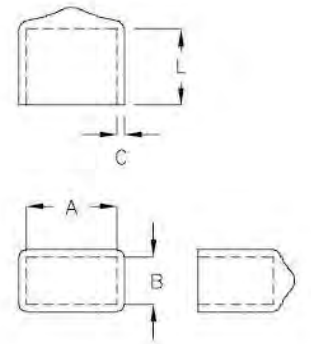


防塵蓋 VCP CAP

13-72-2

- MATERIAL: PVC
- COLOR: BLACK

PART NO	A	B	L	C	PACKAGE
VCQ-7A	7.4	9.0	12.8	1.0	1000
VCQ-08	8.3	1.0	8.0	0.8	2000
VCQ-9A	9.6	4.5	16.0	1.2	1000
VCQ-10	10.1	1.0	7.0	1.0	
VCQ-12	12.0	4.7	10.0	1.0	

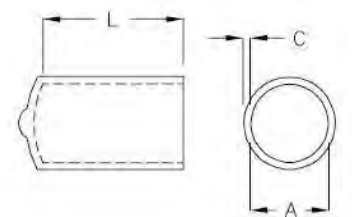


防塵蓋 VCP CAP

13-72-3

- MATERIAL: PVC
- COLOR: BLACK, RED, WHITE, BLUE, YELLOW, GREEN
- UL STANDARD ALSO AVAILABLE

PART NO	A	L	C	PACKAGE
VCP-3.2	3.2	13.0	0.8	2000
VCP-4.0	4.0	8.0	0.8	1000
VCP-4.8	4.8	13.0	0.8	
VCP-5.7	5.7	13.0	1.0	
VCP-6.5	6.5	13.0	1.0	
VCP-7.6	7.6	8.0	1.0	
VCP-8.0	8.0	10.0	1.0	
VCP-9.5	9.4	16.0	1.0	
VCP-9.5A	9.5	13.0	1.0	
VCP-11	11.4	20.0	1.2	
VCP-12	12.0	16.0	1.2	
VCP-14	14.0	35.0	1.2	500
VCP-18	18.0	13.0	1.2	
VCP-18C	18.0	18.0	1.2	

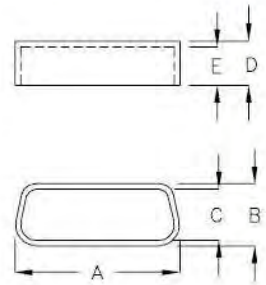




插頭蓋 HOUSING COVER

13-73-1

- MATERIAL: PP
- COLOR: NATURAL



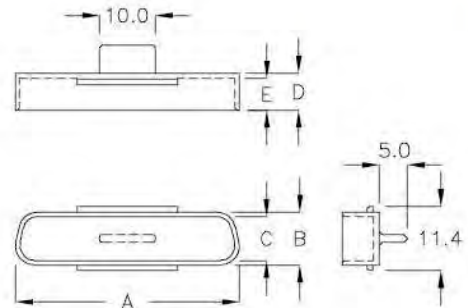
PART NO	A	B	C	D	E	SUITABLE SOCKET	PACKAGE
HC-0	18.1	9.2	7.85	6.5	5.7	9 PIN FEMALE	500
HC-1	26.0	9.2	7.85	6.5	5.7	15 PIN FEMALE	
HC-2	20.0	11.0	9.2	7.2	6.1	9 PIN MALE	
HC-15	39.8	9.2	7.85	6.5	5.7	25 PIN FEMALE	
HC-16	42.0	10.9	9.1	7.3	6.3	25 PIN MALE	200



插頭蓋 HOUSING COVER

13-73-2

- MATERIAL: NYLON 66(UL)
- FLAME CLASS: 94V-2
- COLOR: BLACK



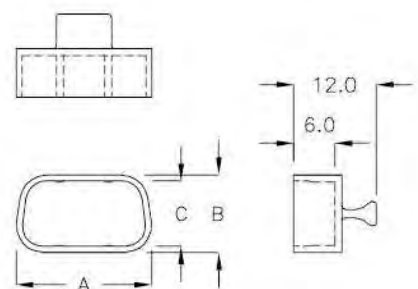
PART NO	A	B	C	D	E	SUITABLE SOCKET	PACKAGE
HC-15QC	40.05	9.4	7.75	6.6	5.6	25 PIN FEMALE	500



插頭蓋 HOUSING COVER

13-73-3

- MATERIAL: NYLON 66(UL)
- FLAME CLASS: 94V-2
- COLOR: BLACK



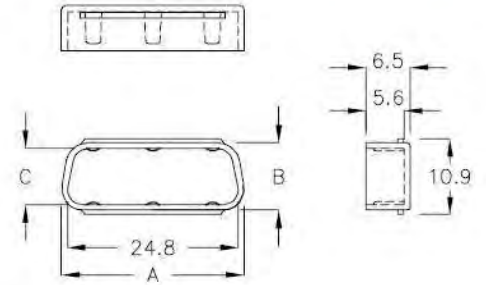
PART NO	A	B	C	SUITABLE SOCKET	PACKAGE
HCM-19J	19.6	11.1	9.4	9 PIN MALE	500



插頭蓋 HOUSING COVER

13-74-1

- MATERIAL: NYLON 66(UL)
- FLAME CLASS: 94V-2
- COLOR: NATURAL



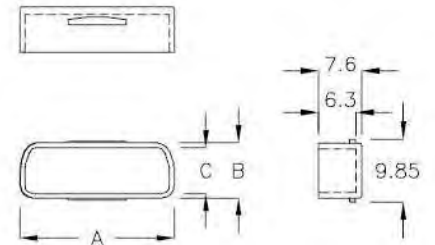
PART NO	A	B	C	SUITABLE SOCKET	PACKAGE
HC-1A	26.5	9.7	8.1	15 PIN FEMALE	500



DVI 防塵蓋 DVI COVER

13-74-2

- MATERIAL: PE
- COLOR: NATURAL



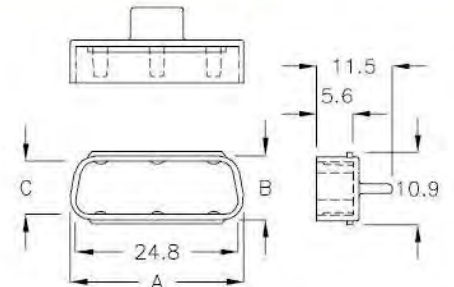
PART NO	A	B	C	PACKAGE
HC-1PZ	25.85	9.25	7.65	500



插頭蓋 HOUSING COVER

13-74-3

- MATERIAL: NYLON 66(UL)
- FLAME CLASS: 94V-2
- COLOR: BLACK



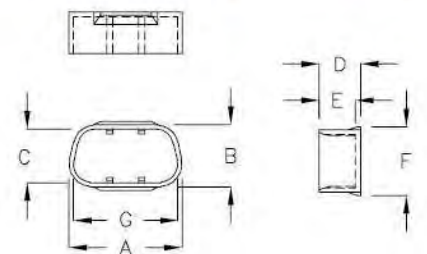
PART NO	A	B	C	SUITABLE SOCKET	PACKAGE
HCM-26F	26.5	9.7	8.1	15 PIN FEMALE	500



插頭蓋 HOUSING COVER

13-74-4

- MATERIAL: NYLON 66(UL)
- FLAME CLASS: 94V-2
- COLOR: BLACK

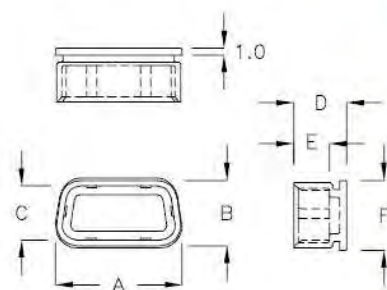


PART NO	A	B	C	D	E	F	G	SUITABLE SOCKET	PACKAGE
HC-02A	17.8	9.7	8.3	6.5	5.7	10.7	16.4	9 PIN FEMALE	500
HC-02C	18.4	10.0	8.0	6.1	5.0	11.2	16.4	9 PIN FEMALE	
HC-2FH	19.6	11.1	9.3	7.0	6.0	12.5	17.8	9 PIN MALE	



插頭蓋 HOUSING COVER ————— | 13-75-1 |

- MATERIAL: PE
- COLOR: NATURAL

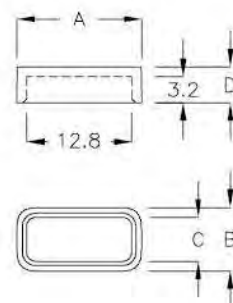


PART NO.	A	B	C	D	E	F	SUITABLE SOCKET	PACKAGE
HC-2RF	18.0	9.4	7.8	7.7	5.2	10.1	9 PIN FEMALE	500



插頭蓋 HOUSING COVER ————— | 13-75-2 |

- MATERIAL: PP
- COLOR: NATURAL

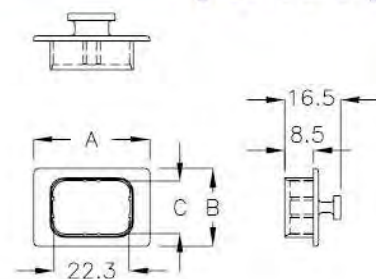


PART NO.	A	B	C	D	PACKAGE
HC-12A	15.2	7.6	5.3	4.3	500



PDU-C14 防塵蓋 PDU-C14 CONNECTOR COVER ————— | 13-75-3 |

- MATERIAL: PE
- COLOR: BLACK

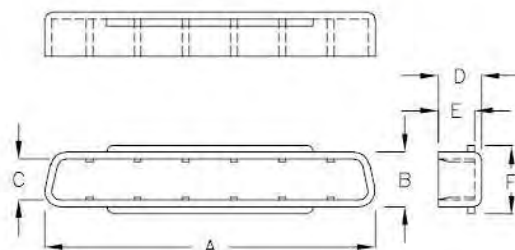


PART NO.	A	B	C	PACKAGE
HDZ-23C	34.6	23.0	15.4	200



插頭蓋 HOUSING COVER ————— | 13-75-4 |

- MATERIAL: NYLON 66(UL)
- FLAME CLASS: 94V-2
- COLOR: NATURAL



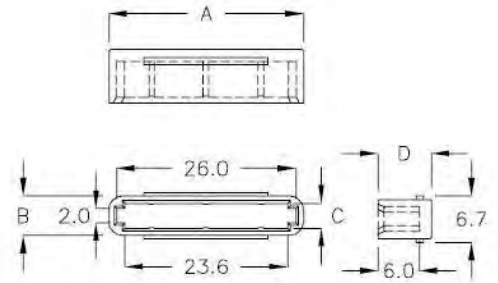
PART NO.	A	B	C	D	E	F	PACKAGE
HC-17	48.0	7.9	5.9	6.3	5.3	9.9	200
HC-18	58.0	10.4	8.4	6.8	5.8	12.4	



防塵蓋 DUST COVER

13-76-1

- MATERIAL: NYLON 66(UL)
- FLAME CLASS: 94V-2
- COLOR: BLACK



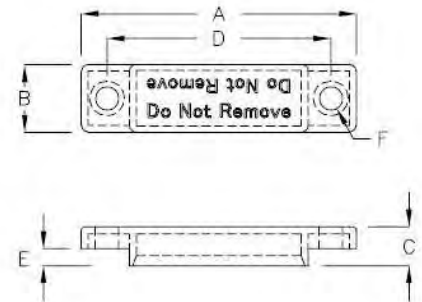
PART NO	A	B	C	D	PACKAGE
HC-28	28.2	5.7	3.6	7.7	500



DVI 防塵蓋 DVI COVER

13-76-2

- MATERIAL: ABS(UL)
- FLAME CLASS: 94HB
- COLOR: BLACK



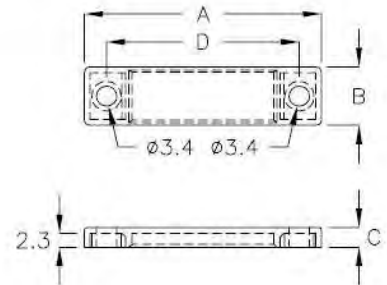
PART NO	A	B	C	D	E	F	PACKAGE
HC-24	40.1	9.8	5.7	32.6	2.5	∅3.4	500



DVI 防塵蓋 DVI COVER

13-76-3

- MATERIAL: ABS(UL)
- FLAME CLASS: 94HB
- COLOR: BLACK



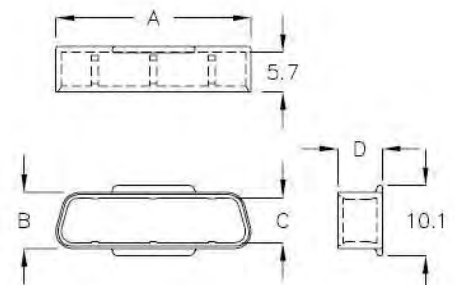
PART NO	A	B	C	D	PACKAGE
HC-24A	40.0	9.8	3.3	32.5	500



MDR 防塵蓋 MDR DUST COVER

13-76-4

- MATERIAL: NYLON 66(UL)
- FLAME CLASS: 94V-2
- COLOR: BLACK



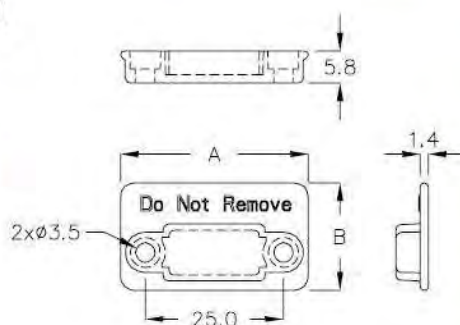
PART NO	A	B	C	D	PACKAGE
HC-28DX	28.4	8.1	6.5	6.5	500



VGA 插頭蓋 VGA COVER ———— | 13-77-1 |

- MATERIAL: ABS(UL),NYLON 66(UL)
- FLAME CLASS: 94HB,94V-0
- COLOR: BLACK

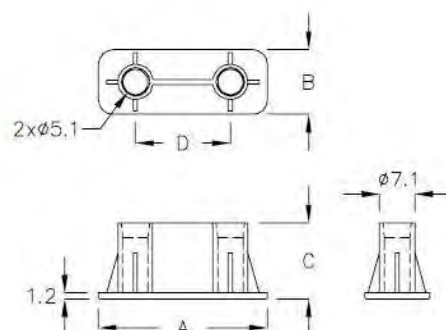
PART NO	MATERIAL	A	B	PACKAGE
HDD-2A	ABS HB	34.0	19.3	200
★HDE-2A	N66 V0	34.0	13.5	



PLUG 防塵蓋 PLUG DUST COVER ———— | 13-77-2 |

- MATERIAL: PE
- COLOR: BLACK

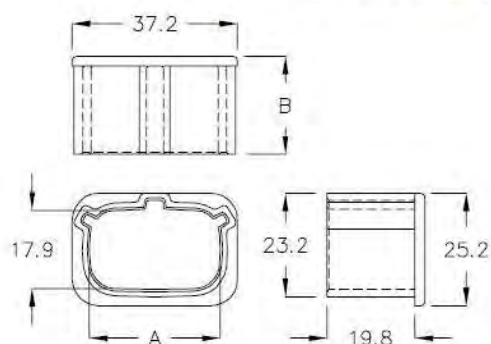
PART NO	A	B	C	D	PACKAGE
HDK-34	34.0	13.0	15.2	19.1	500



防塵蓋 DUST COVER ———— | 13-77-3 |

- MATERIAL: PP(UL)
- COLOR: NATURAL

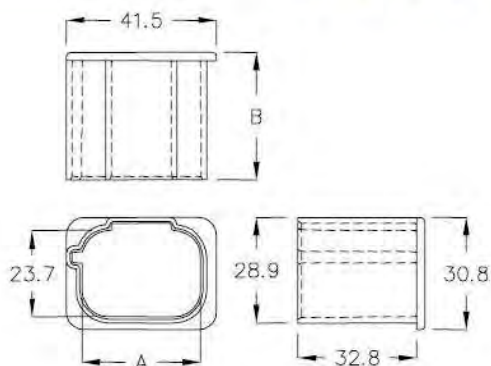
PART NO	A	B	PACKAGE
HCWT-37KF	29.4	22.0	200



防塵蓋 DUST COVER ———— | 13-77-4 |

- MATERIAL: PP(UL)
- COLOR: NATURAL

PART NO	A	B	PACKAGE
HCWT-41BQ	32.7	35.0	100



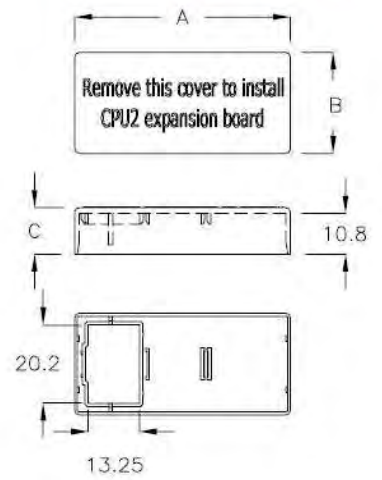


QPI 防塵蓋 QPI DUST COVER

13-78-1

- MATERIAL: NYLON 66(UL)
- FLAME CLASS: 94V-2
- COLOR: BLACK

PART NO	A	B	C	PACKAGE
QPI-57A	57.1	26.6	12.3	500

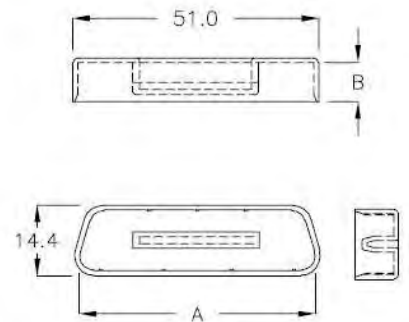


插頭蓋 HOUSING COVER

13-78-2

- MATERIAL: PP
- COLOR: NATURAL

PART NO	A	B	PACKAGE
HC-049	49.0	8.0	200

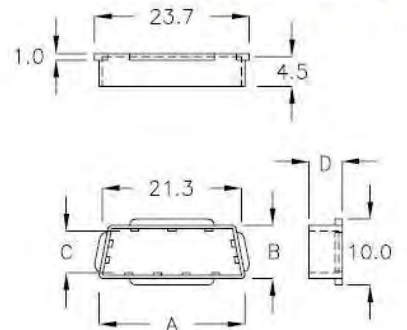


插頭蓋 HOUSING COVER

13-78-3

- MATERIAL: NYLON 66(UL)
- FLAME CLASS: 94V-2
- COLOR: BLACK

PART NO	A	B	C	D	PACKAGE
HC-51	22.3	8.1	6.2	5.0	500

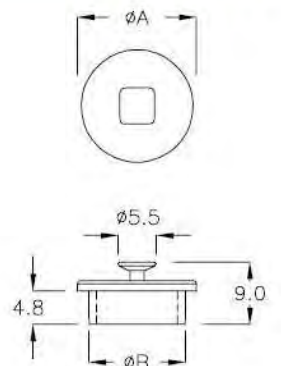


插頭蓋 HOUSING COVER

13-78-4

- MATERIAL: PE
- COLOR: BLACK

PART NO	A	B	PACKAGE
HC-5C	17.3	14.0	2000

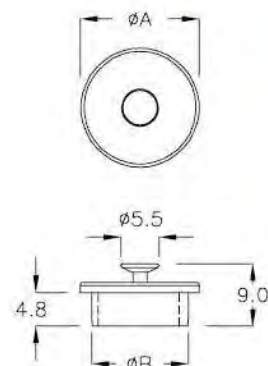




插頭蓋 HOUSING COVER | 13-79-1 |

- MATERIAL: PE
- COLOR: BLACK

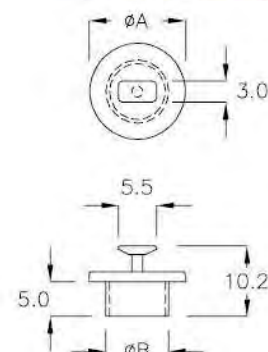
PART NO	A	B	PACKAGE
HC-5D	12.0	9.9	2000



插頭蓋 PS-2 COVER | 13-79-2 |

- MATERIAL: PP(UL)
- COLOR: BLACK

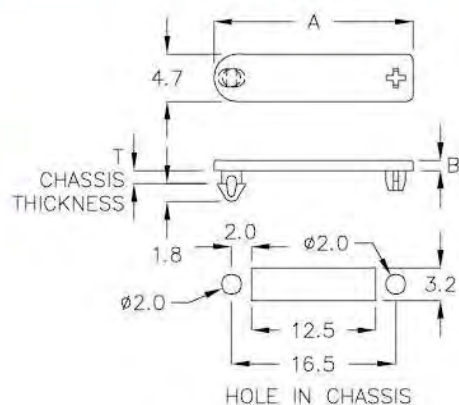
PART NO	A	B	PACKAGE
HC-5A	14.0	9.1	2000



防塵蓋 DUST COVER | 13-79-3 |

- MATERIAL: NYLON 66(UL)
- FLAME CLASS: 94V-2
- COLOR: NATURAL

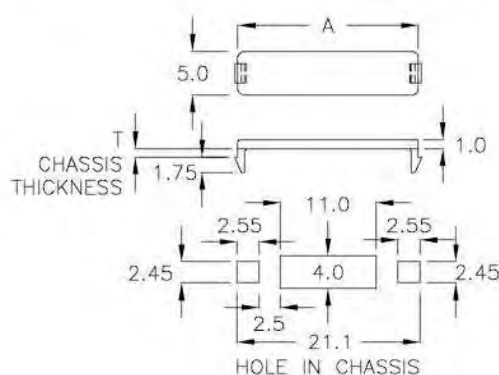
PART NO	A	B	T CHASSIS THICKNESS	PACKAGE
HCR-20	20.0	1.0	0.8	2000
HCR-20CL	20.0	0.8	1.0	



保護蓋 HOLE PROTECT COVER | 13-79-4 |

- MATERIAL: NYLON 66(UL)
- FLAME CLASS: 94V-2
- COLOR: BLACK

PART NO	A	T CHASSIS THICKNESS	PACKAGE
BHR-21A	20.8	0.8	1000



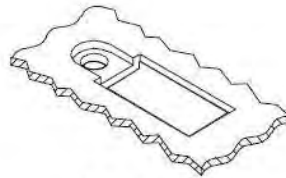


防塵蓋 DUST COVER

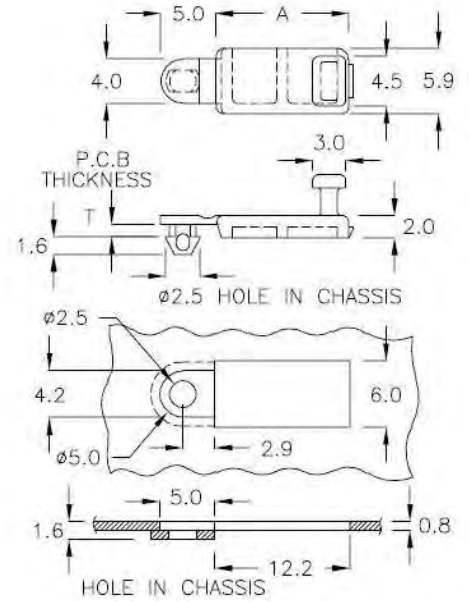
13-80-1

- MATERIAL: TPR(UL)
- FLAME CLASS: 94V-0
- COLOR: BLACK

PART NO.	A	T P.C.B THICKNESS	PACKAGE
HCD-01	12.0	0.8	1000



HOLE IN CHASSIS

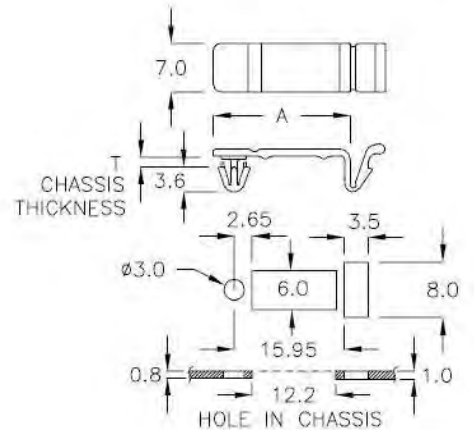


防塵蓋 DUST COVER

13-80-2

- MATERIAL: NYLON 66(UL)
- FLAME CLASS: 94V-2
- COLOR: NATURAL

PART NO.	A	T CHASSIS THICKNESS	PACKAGE
HCP-24D	19.8	0.8	1000

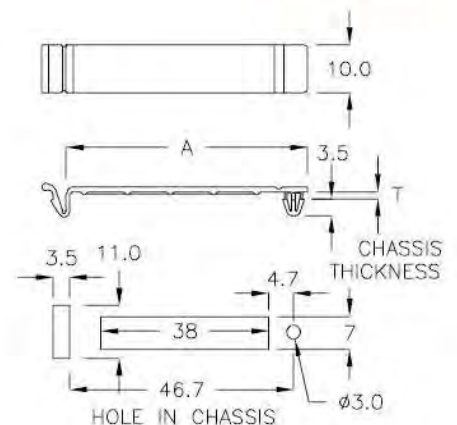


固定座 MOUNT

13-80-3

- MATERIAL: NYLON 66(UL)
- FLAME CLASS: 94V-2
- COLOR: BLACK

PART NO.	A	T CHASSIS THICKNESS	PACKAGE
HCP-55F	50.5	0.8	200

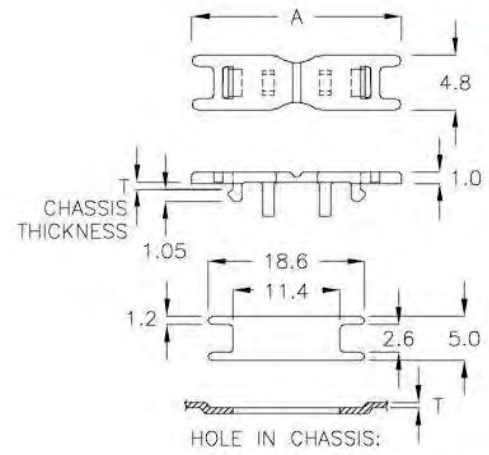




防塵蓋 DUST COVER ————— | 13-81-1 |

- MATERIAL: NYLON 66(UL)
- FLAME CLASS: 94V-2
- COLOR: BLACK

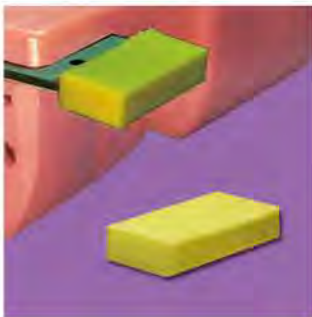
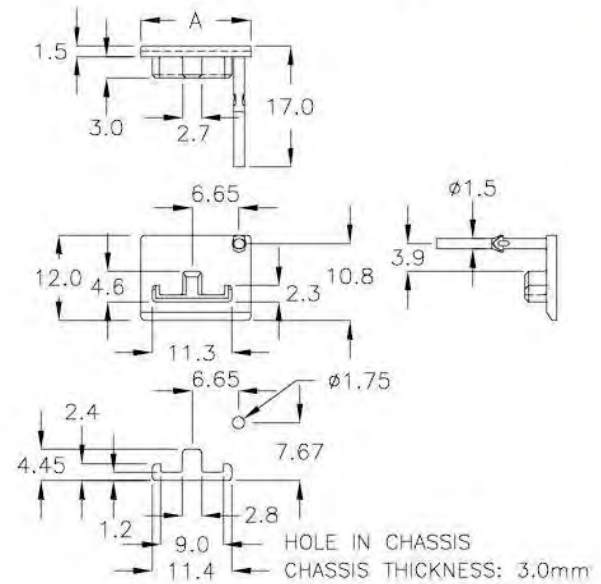
PART NO	A	T CHASSIS THICKNESS	PACKAGE
HCR-18K	18.4	0.8	2000



防塵蓋 DUST COVER ————— | 13-81-2 |

- MATERIAL: TPE
- COLOR: GRAY

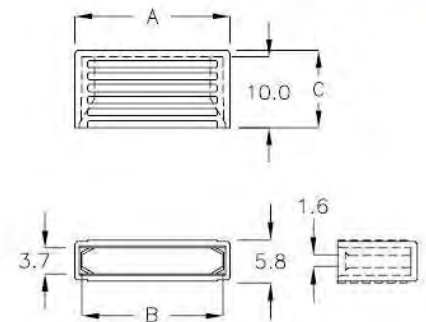
PART NO	A	PACKAGE
HCX-15A	15.5	1000



防塵蓋 DUST COVER ————— | 13-81-3 |

- MATERIAL: PE
- COLOR: YELLOW

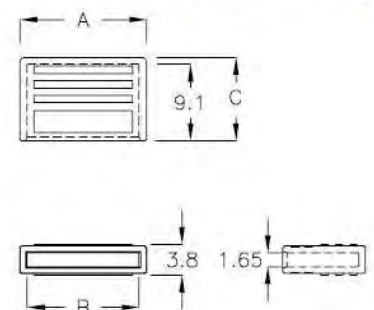
PART NO	A	B	C	PACKAGE
HCS-22	22.0	20.0	10.9	1000



防塵蓋 DUST COVER ————— | 13-81-4 |

- MATERIAL: PE
- COLOR: NATURAL

PART NO	A	B	C	PACKAGE
HCS-15KN	15.3	13.5	10.0	1000



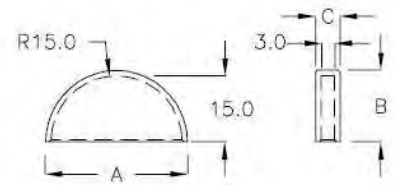


保護蓋 PROTECT COVER

13-82-1

- MATERIAL: PE
- COLOR: BLACK

PART NO	A	B	C	PACKAGE
HDT-30	32.6	16.3	5.6	200

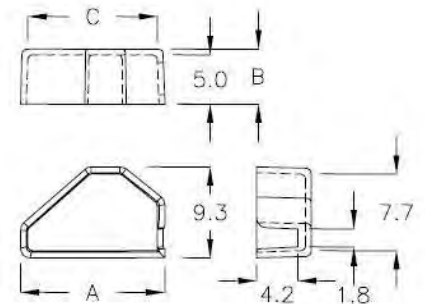


保護罩 INSULATION CAP

13-82-2

- MATERIAL: NYLON 66(UL)
- FLAME CLASS: 94V-0
- COLOR: BLACK

PART NO	A	B	C	PACKAGE
HDQ-5C	14.8	5.6	13.3	1000



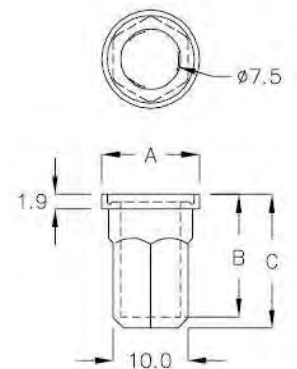
保護蓋 PROTECT COVER

13-82-3

- MATERIAL: NYLON 66(UL)
- FLAME CLASS: 94V-0
- COLOR: BLACK

NEW

PART NO	A	B	C	PACKAGE
★ HDTC-17K	∅13.0	16.7	17.7	200

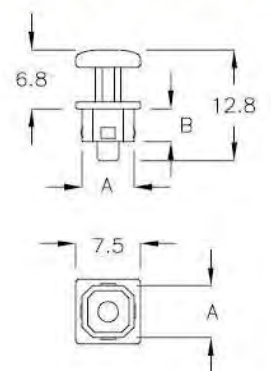


光纖插頭蓋 TRANSPORTER COVER

13-82-4

- MATERIAL: NYLON 66(UL)
- FLAME CLASS: 94V-2
- COLOR: BLACK

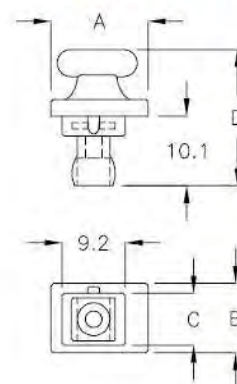
PART NO	A	B	PACKAGE
HF-01	6.0	3.8	500



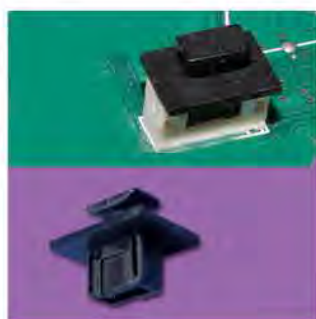


光纖插頭蓋 TRANSPORTER COVER 13-83-1

- MATERIAL: TPE
- COLOR: BLACK

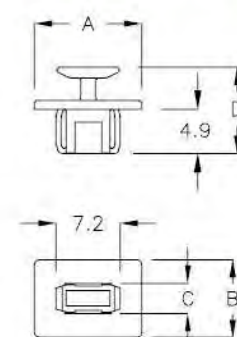


PART NO	A	B	C	D	PACKAGE
HFK-01	14.1	10.0	7.5	19.6	500



插頭蓋 COVER 13-83-2

- MATERIAL: NYLON 66(UL)
- FLAME CLASS: 94V-2
- COLOR: BLACK

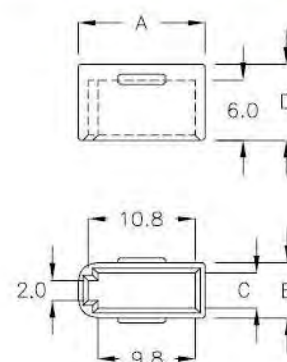


PART NO	A	B	C	D	PACKAGE
HCK-7A	12.0	8.6	3.3	9.6	500



插頭蓋 SATA DUST COVER 13-83-3

- MATERIAL: PE
- COLOR: NATURAL

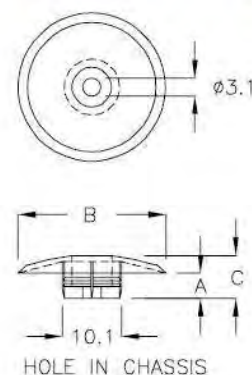


PART NO	A	B	C	D	PACKAGE
HTA-10A	12.8	5.5	3.4	7.6	1000



固定座 MOUNT 13-83-4

- MATERIAL: NYLON 66(UL)
- FLAME CLASS: 94V-2
- COLOR: BLACK



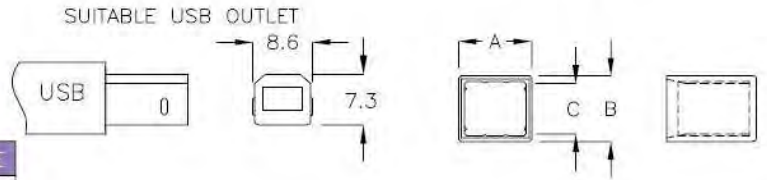
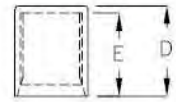
PART NO	A	φB	C	PACKAGE
PEB-01	4.3	25.3	7.3	1000



USB 插頭蓋 USB COVER

13-84-1

- MATERIAL: PP
- COLOR: NATURAL



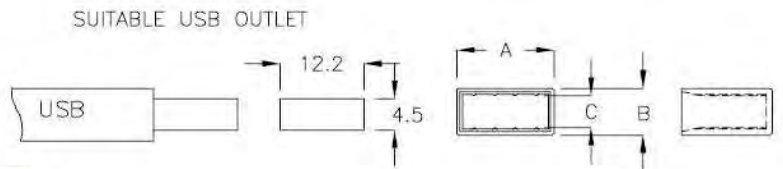
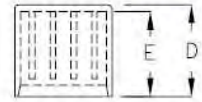
PART NO	A	B	C	D	E	PACKAGE
USB-01	10.6	9.5	7.35	13.0	12.0	1000



USB 插頭蓋 USB COVER

13-84-2

- MATERIAL: PP
- COLOR: NATURAL



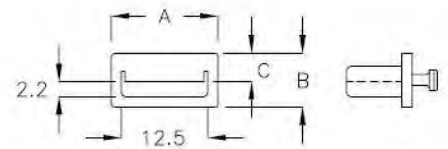
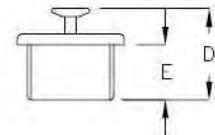
PART NO	A	B	C	D	E	PACKAGE
USB-02	14.15	6.8	4.55	13.2	12.2	1000



USB 插頭蓋 USB COVER

13-84-3

- MATERIAL: PP
- COLOR: BLACK



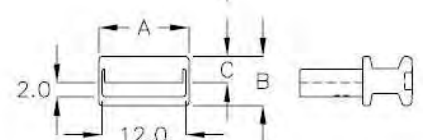
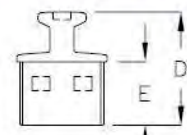
PART NO	A	B	C	D	E	PACKAGE
USB-03	15.5	7.8	4.1	13.2	8.0	1000



USB 插頭蓋 USB COVER

13-84-4

- MATERIAL: ABS(UL)
- FLAME CLASS: 94HB
- COLOR: BLACK



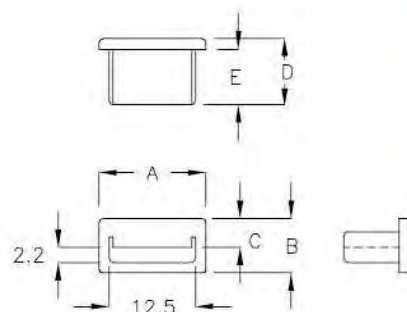
PART NO	A	B	C	D	E	PACKAGE
USB-3GJ	13.0	7.0	3.75	16.2	9.0	1000



USB 插頭蓋 USB COVER 13-85-1

- MATERIAL: PP
- COLOR: NATURAL, BLACK

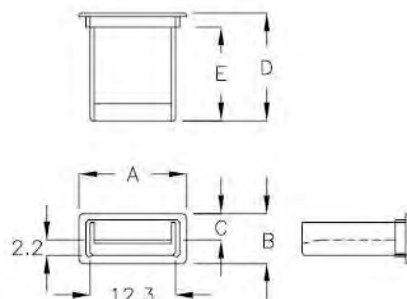
PART NO	A	B	C	D	E	PACKAGE
USB-3A	15.5	7.8	4.1	9.5	8.0	500



USB 插頭蓋 USB COVER 13-85-2

- MATERIAL: PP
- COLOR: NATURAL, BLACK

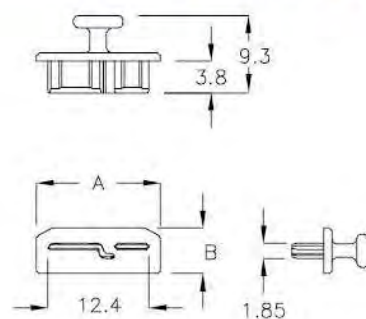
PART NO	A	B	C	D	E	PACKAGE
USB-3FK	15.6	7.2	3.85	15.5	13.5	500



USB 3.0 插頭蓋 MICRO USB 3.0 COVER 13-85-3

- MATERIAL: NYLON 66(UL)
- FLAME CLASS: 94V-2
- COLOR: NATURAL, BLACK

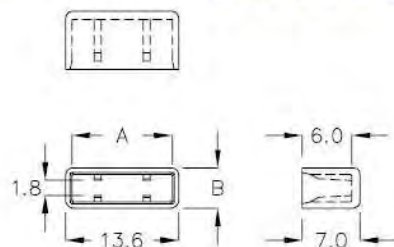
PART NO	A	B	PACKAGE
USB-3HQ	15.0	5.5	500



USB 3.0 插頭蓋 MICRO USB 3.0 COVER 13-85-4

- MATERIAL: NYLON 66(UL)
- FLAME CLASS: 94V-2
- COLOR: NATURAL

PART NO	A	B	PACKAGE
USB-3RT	12.1	4.8	500

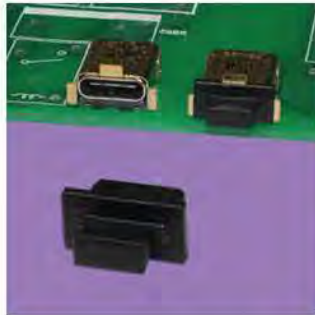
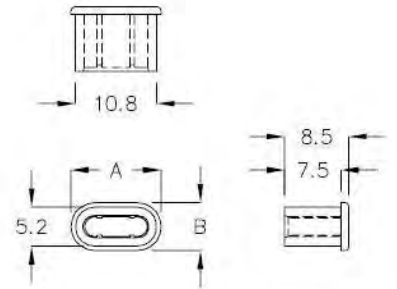




TYPE-C 插頭蓋 TYPE-C COVER ———— | 13-86-1 |

- MATERIAL: NYLON 66(UL)
- FLAME CLASS: 94V-2
- COLOR: NATURAL

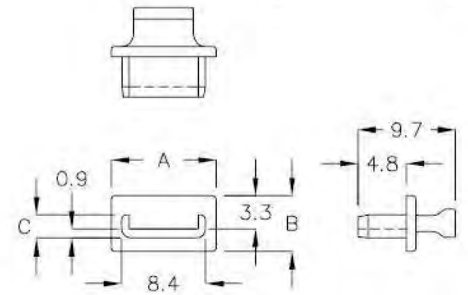
PART NO	A	B	PACKAGE
USB-3WP	12.0	6.4	500



TYPE-C 插頭蓋 TYPE-C COVER ———— | 13-86-2 |

- MATERIAL: PE
- COLOR: BLACK

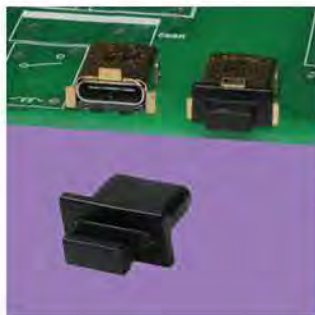
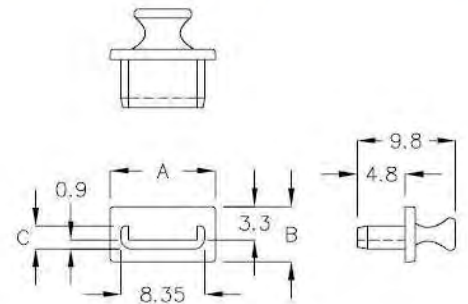
PART NO	A	B	C	PACKAGE
USB-3GT	10.5	5.5	2.3	2000



TYPE-C 插頭蓋 TYPE-C COVER ———— | 13-86-3 |

- MATERIAL: NYLON 66(UL)
- FLAME CLASS: 94V-0
- COLOR: BLACK

PART NO	A	B	C	PACKAGE
USB-3KN	10.5	5.5	2.3	500

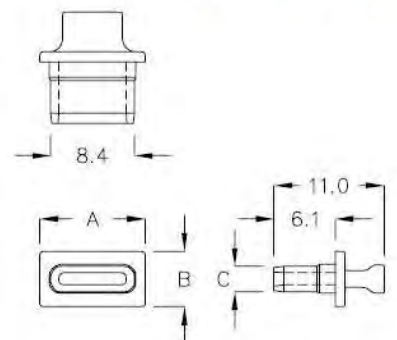


TYPE-C 插頭蓋 TYPE-C COVER ———— | 13-86-4 |

- MATERIAL: PE
- COLOR: BLACK

NEW

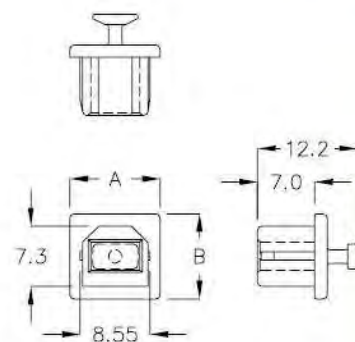
PART NO	A	B	C	PACKAGE
★ USB-3QA	10.5	5.5	2.5	2000





USB1394 插頭蓋 USB COVER | 13-87-1 |

- MATERIAL: NYLON 66(UL)
- FLAME CLASS: 94V-2
- COLOR: BLACK

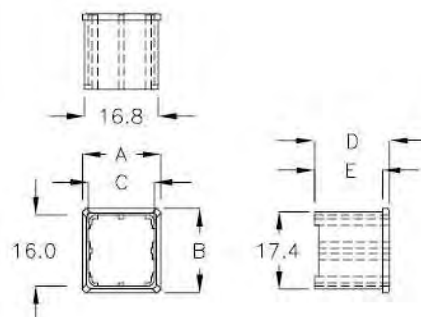


PART NO	A	B	PACKAGE
USB-04	11.0	10.3	1000



USB 插頭蓋 USB COVER | 13-87-2 |

- MATERIAL: ABS(UL)
- FLAME CLASS: 94V-0
- COLOR: BLACK

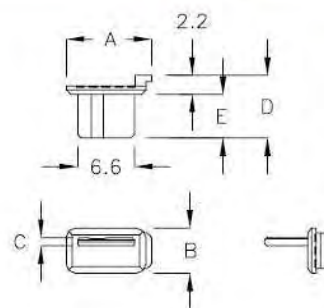


PART NO	A	B	C	D	E	PACKAGE
USB-05	17.8	19.0	15.0	17.0	15.5	500



MINI USB 插頭蓋 USB COVER | 13-87-3 |

- MATERIAL: PE
- COLOR: BLACK

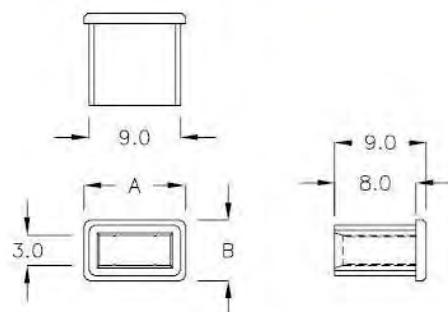


PART NO	A	B	C	D	E	PACKAGE
USB-06	9.5	4.8	1.0	7.2	5.0	1000



MINI USB 插頭蓋 USB COVER | 13-87-4 |

- MATERIAL: NYLON 66(UL)
- FLAME CLASS: 94V-2
- COLOR: NATURAL, BLACK



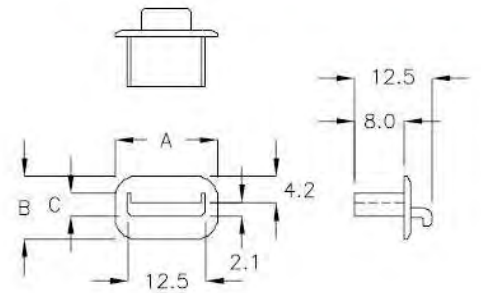
PART NO	A	B	PACKAGE
USB-9MT	10.0	6.0	1000



USB 插頭蓋 USB COVER

13-88-1

- MATERIAL: PP
- COLOR: BLACK



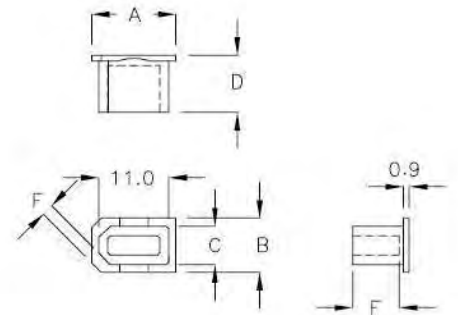
PART NO	A	B	C	PACKAGE
USB-07	16.5	10.0	3.7	2000



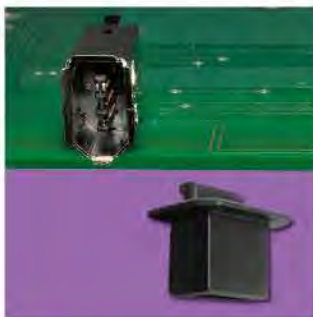
USB1394 保護蓋 USB COVER

13-88-2

- MATERIAL: PE
- COLOR: BLACK



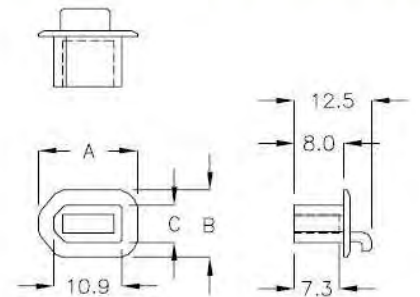
PART NO	A	B	C	D	E	F	PACKAGE
USF-01	13.2	8.5	6.0	8.9	7.3	1.8	2000
USF-02	13.2	8.5	6.0	8.9	7.3	1.0	



USB1394 保護蓋 USB COVER

13-88-3

- MATERIAL: PP
- COLOR: BLACK



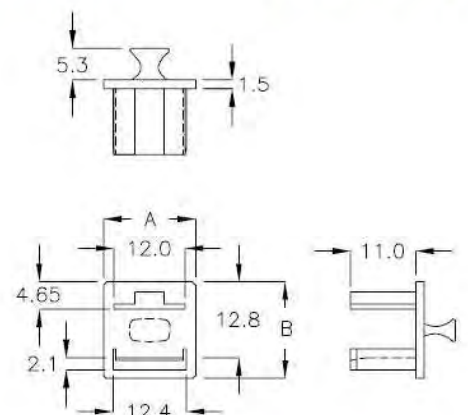
PART NO	A	B	C	PACKAGE
USF-03	16.0	10.8	6.0	2000



USB 保護蓋 USB COVER

13-88-4

- MATERIAL: NYLON 66(UL)
- FLAME CLASS: 94V-2
- COLOR: BLACK



PART NO	A	B	PACKAGE
USJ-2JM	15.6	16.3	500

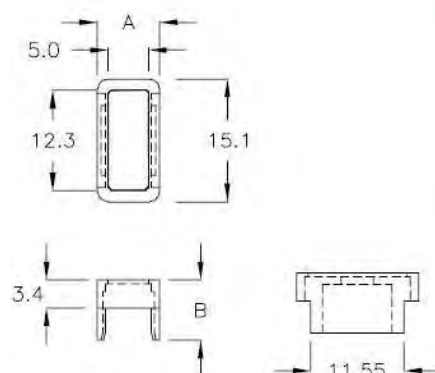


USB 保護蓋 USB COVER

13-89-1

- MATERIAL: PP
- COLOR: BLACK

PART NO	A	B	PACKAGE
USQ-15C	7.7	7.4	500

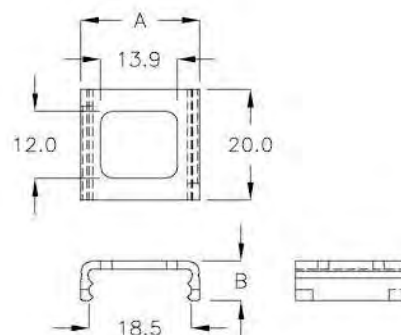


保護蓋 GPS COVER

13-89-2

- MATERIAL: NYLON 66(UL)
- FLAME CLASS: 94V-0
- COLOR: NATURAL

PART NO	A	B	PACKAGE
LHZ-21K	21.5	7.17	500

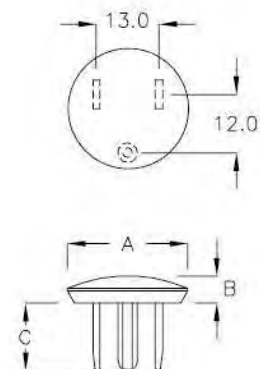


電源插座保護蓋 SOCKET COVER

13-89-3

- MATERIAL: ABS(UL)
- FLAME CLASS: 94V-0
- COLOR: NATURAL

PART NO	A	B	C	PACKAGE
HDB-01	∅25.0	5.5	14.0	200

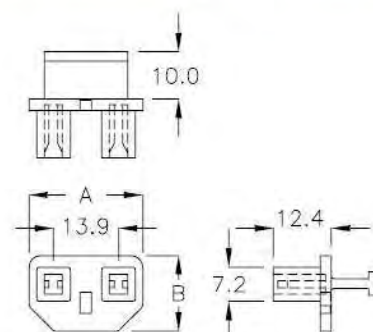


電源插座防塵蓋 DUST COVER

13-89-4

- MATERIAL: TPE(UL)
- FLAME CLASS: 94V-0
- COLOR: BLACK

PART NO	A	B	PACKAGE
HDY-16A	24.3	16.0	500

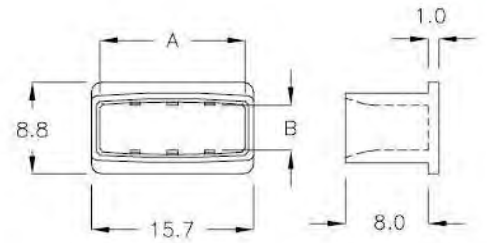




HDMI 插頭蓋 HDMI COVER

13-90-1

- MATERIAL: NYLON 66(UL)
- FLAME CLASS: 94V-2
- COLOR: NATURAL



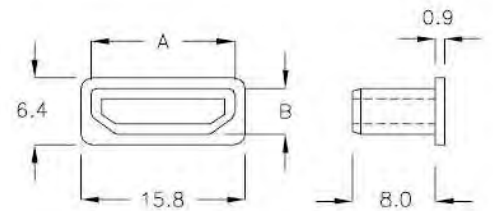
PART NO	A	B	PACKAGE
DMI-01	14.2	4.2	500



HDMI 插頭蓋 HDMI COVER

13-90-2

- MATERIAL: NYLON 66(UL)
- FLAME CLASS: 94V-2
- COLOR: NATURAL



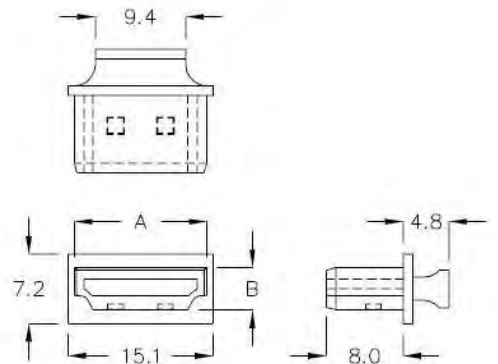
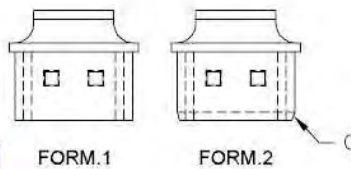
PART NO	A	B	PACKAGE
DMI-02	13.8	4.4	1000



HDMI 插頭蓋 HDMI COVER

13-90-3

- MATERIAL: PE
- COLOR: NATURAL, BLACK



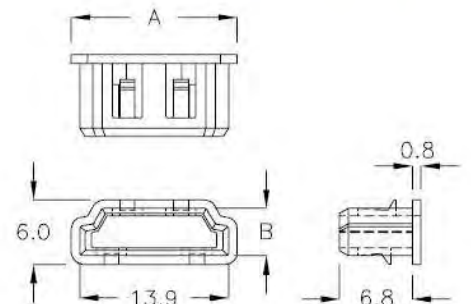
PART NO	A	B	FORM	PACKAGE
DMI-2C	13.8	4.4	1	1000
★ DMI-2P	13.8	4.4	2	



HDMI 插頭蓋 HDMI COVER

13-90-4

- MATERIAL: NYLON 66(UL)
- FLAME CLASS: 94V-2
- COLOR: BLACK



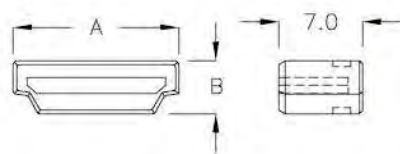
PART NO	A	B	PACKAGE
DMI-2TA	15.5	4.4	1000



HDMI 插頭蓋 HDMI COVER | 13-91-1 |

- MATERIAL: PP
- COLOR: BLACK

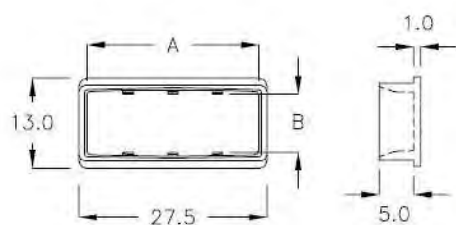
PART NO	A	B	PACKAGE
DMI-3K	13.9	4.4	1000



DVI 插頭蓋 DVI COVER | 13-91-2 |

- MATERIAL: NYLON 66(UL)
- FLAME CLASS: 94V-2
- COLOR: NATURAL

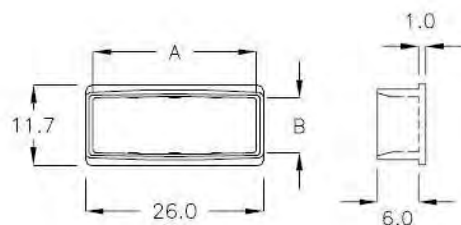
PART NO	A	B	PACKAGE
DVI-01	25.1	8.5	500



DVI 插頭蓋 DVI COVER | 13-91-3 |

- MATERIAL: NYLON 66(UL)
- FLAME CLASS: 94V-2
- COLOR: NATURAL

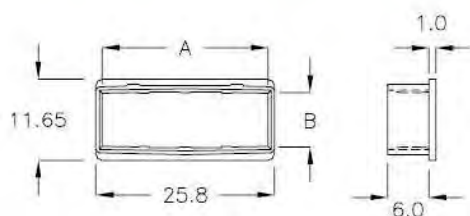
PART NO	A	B	PACKAGE
DVI-02	23.9	8.0	500

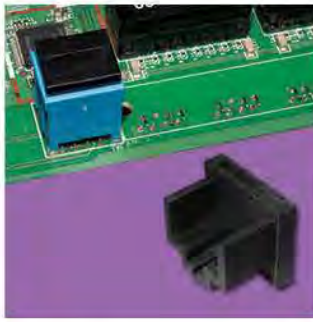


DVI 插頭蓋 DVI COVER | 13-91-4 |

- MATERIAL: NYLON 66(UL)
- FLAME CLASS: 94V-2
- COLOR: NATURAL

PART NO	A	B	PACKAGE
DVI-2WT	23.8	7.8	500

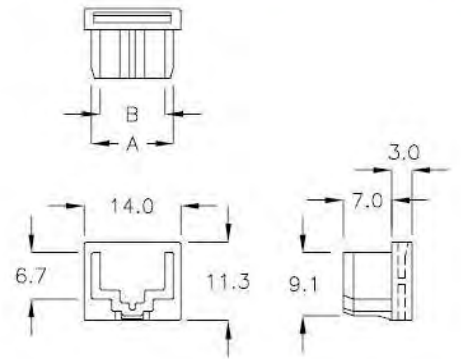




RJ45 插頭蓋 RJ45 COVER

13-92-1

- MATERIAL: NYLON 66(UL)
- FLAME CLASS: 94V-2
- COLOR: BLACK



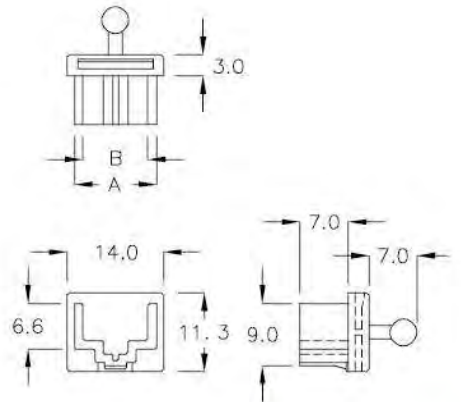
PART NO	A	B	PACKAGE
NET-1QH	11.9	9.4	500



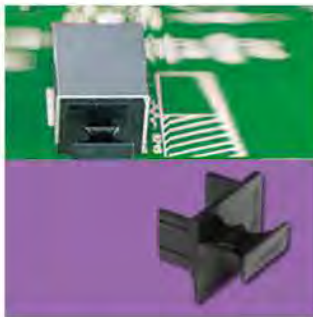
RJ45 插頭蓋 RJ45 COVER

13-92-2

- MATERIAL: PP
- COLOR: BLACK



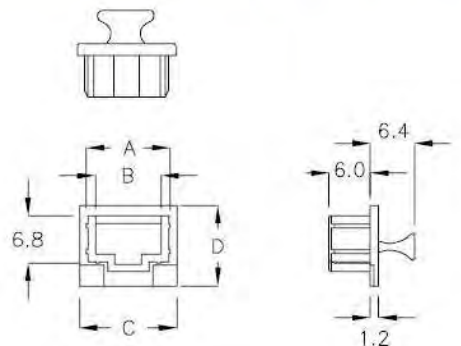
PART NO	A	B	PACKAGE
NEX-01	11.9	9.4	500



RJ45 插頭蓋 RJ45 COVER

13-92-3

- MATERIAL: NYLON 66(UL)
- FLAME CLASS: 94V-2
- MATERIAL: TPE
- FLAME CLASS: 94V-0
- COLOR: BLACK



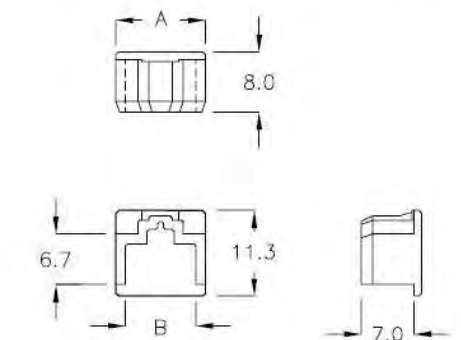
PART NO	A	B	C	D	MATERIAL	PACKAGE
NEX-02	12.1	9.5	14.1	11.6	N66	500
NEX-3K	11.9	9.0	17.6	13.25	N66	
NEX-4KJ	12.0	9.5	13.5	11.6	TPE	



RJ45 插頭蓋 RJ45 COVER

13-92-4

- MATERIAL: NYLON 66(UL)
- FLAME CLASS: 94V-2
- COLOR: BLACK



PART NO	A	B	PACKAGE
NET-2FM	12.0	9.4	500

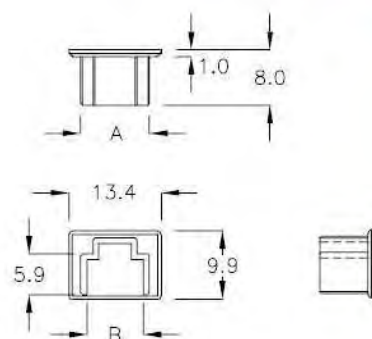


RJ12 插頭蓋 RJ12 COVER

13-93-1

- MATERIAL: PP
- COLOR: BLACK,NATURAL

PART NO	A	B	PACKAGE
NET-02	10.0	8.2	500

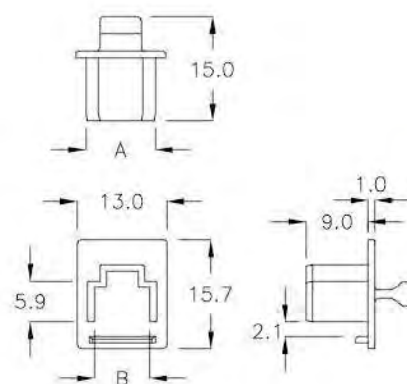


RJ12 插頭蓋 RJ12 COVER

13-93-2

- MATERIAL: NYLON 66(UL)
- FLAME CLASS: 94V-2
- COLOR: BLACK

PART NO	A	B	PACKAGE
NET-2HK	10.0	8.0	500

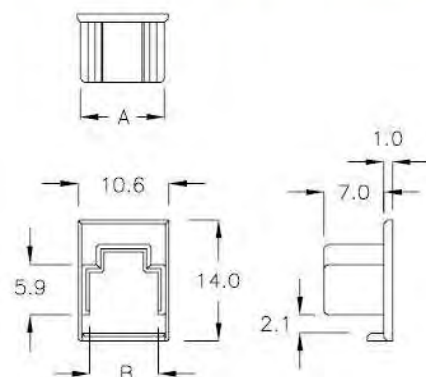


RJ12 插頭蓋 RJ12 COVER

13-93-3

- MATERIAL: PP
- COLOR: BLACK

PART NO	A	B	PACKAGE
NET-02A	9.8	8.0	500

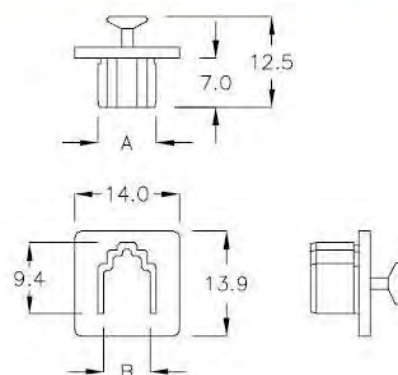


RJ11 防塵蓋 RJ11 COVER

13-93-4

- MATERIAL: NYLON 66(UL)
- FLAME CLASS: 94V-2
- COLOR: BLACK

PART NO	A	B	PACKAGE
RJ-12	7.75	6.2	1000



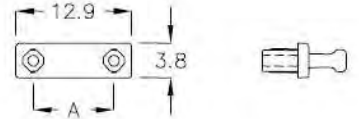
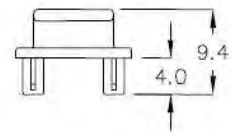


MICRO FIT 防塵蓋 MICRO FIT COVER ———— | 13-94-1 |

- MATERIAL: ABS+PC
- COLOR: BLACK

NEW

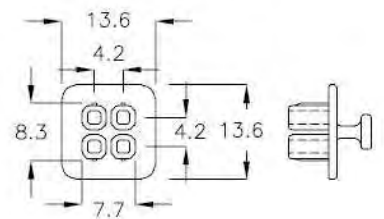
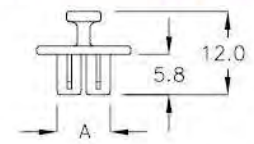
PART NO	A	PACKAGE
★ NEG-12K	9.0	1000



電源連接座插頭蓋 CONNECTOR COVER ———— | 13-94-2 |

- MATERIAL: NYLON 66(UL)
- FLAME CLASS: 94V-2
- COLOR: BLACK

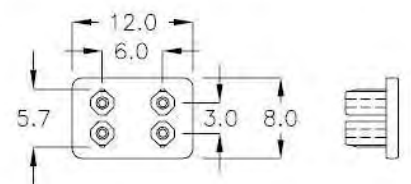
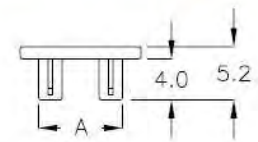
PART NO	A	PACKAGE
NES-4A	7.7	500



電源連接座插頭蓋 CONNECTOR COVER ———— | 13-94-3 |

- MATERIAL: NYLON 66(UL)
- FLAME CLASS: 94V-2
- COLOR: BLACK

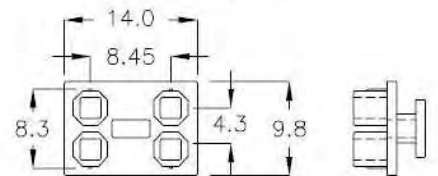
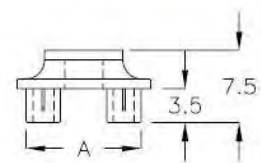
PART NO	A	PACKAGE
NEA-12J	8.35	500



電源連接座插頭蓋 CONNECTOR COVER ———— | 13-94-4 |

- MATERIAL: PP
- COLOR: BLACK

PART NO	A	PACKAGE
NES-14A	12.04	500

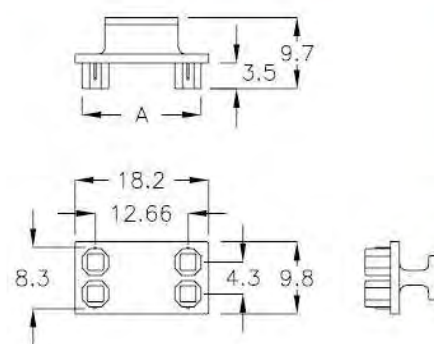




電源連接座插頭蓋 CONNECTOR COVER ——— | 13-95-1 |

- MATERIAL: NYLON 66(UL)
- FLAME CLASS: 94V-2
- COLOR: BLACK

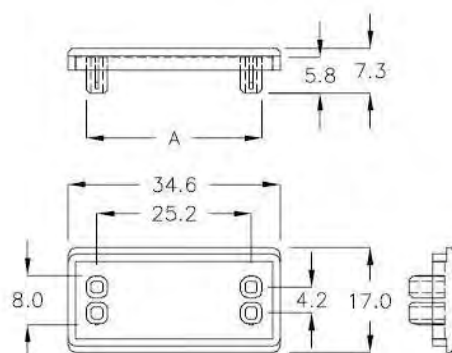
PART NO	A	PACKAGE
NES-18C	16.3	500



電源連接座插頭蓋 CONNECTOR COVER ——— | 13-95-2 |

- MATERIAL: NYLON 66(UL)
- FLAME CLASS: 94V-2
- COLOR: NATURAL

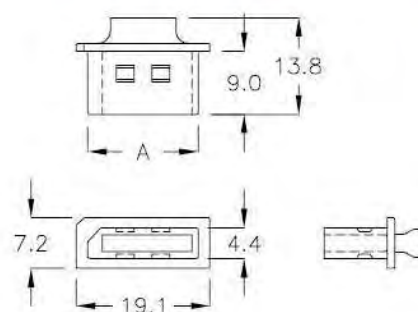
PART NO	A	PACKAGE
NEQ-34K	28.7	500



DP 防塵蓋 DP COVER ——— | 13-95-3 |

- MATERIAL: PE
- COLOR: NATURAL

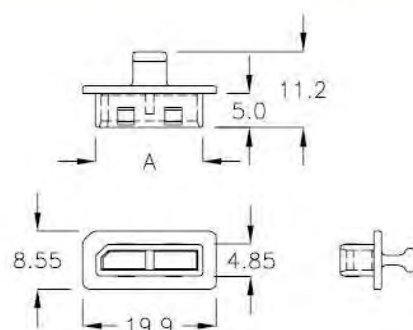
PART NO	A	PACKAGE
DP-2KT	15.9	1000



DP 防塵蓋 DP COVER ——— | 13-95-4 |

- MATERIAL: NYLON 66(UL)
- FLAME CLASS: 94V-2
- COLOR: BLACK

PART NO	A	PACKAGE
DP-01	15.9	1000

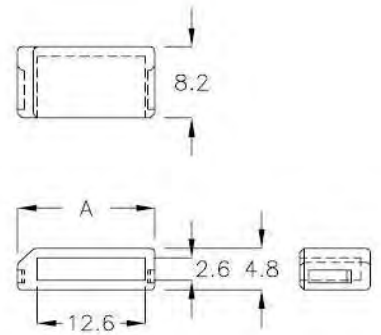




DP 防塵蓋 DP COVER

13-96-1

- MATERIAL: PP
- COLOR: BLACK



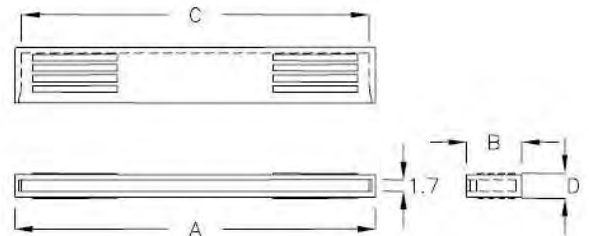
PART NO	A	PACKAGE
DP-3F	16.0	1000



PCIE 防塵蓋 PCI EXPRESS COVER

13-96-2

- MATERIAL: PE
- COLOR: BLACK



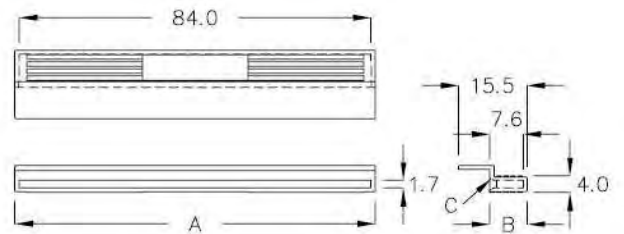
PART NO	A	B	C	D	PACKAGE
HCS-44AT	44.0	8.0	41.8	4.0	500
HCS-55FN	55.4	8.6	53.2	3.8	



PCIE 防塵蓋 PCI EXPRESSx16 COVER

13-96-3

- MATERIAL: PE
- COLOR: NATURAL



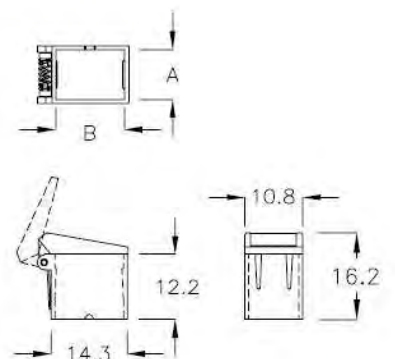
PART NO	A	B	C	PACKAGE
HCS-86FQ	86.0	8.5	—	200
★ HCS-86HX	86.0	8.5	1.0	



SC 型光纖蓋組合
OPTICAL FIBER COVER

13-96-4

- MATERIAL: NYLON 66(UL)
- FLAME CLASS: 94V-0
- COLOR: GREEN



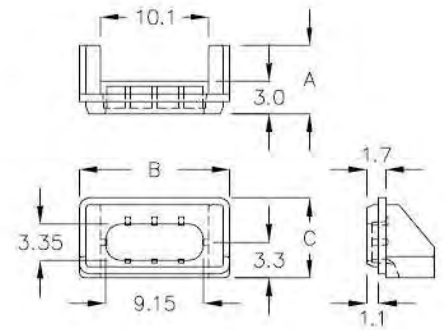
PART NO	A	B	PACKAGE
FIB-13-NOH	9.4	12.9	500



TYPE-C 固定座 MOUNT

13-98-1

- MATERIAL: ABS+PC(UL)
- FLAME CLASS: 94V-0
- COLOR: BLACK

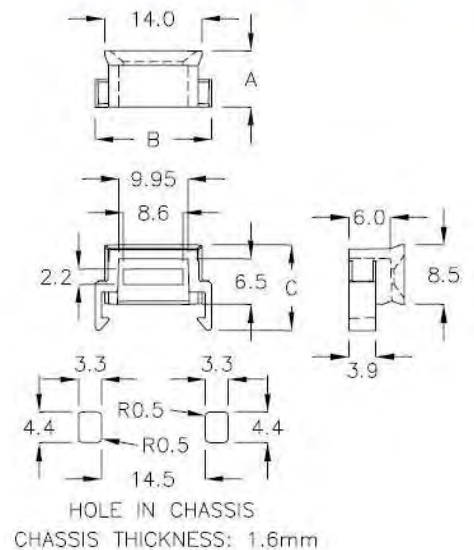


PART NO	A	B	C	PACKAGE
MIR-14	6.3	14.0	7.4	200

MICRO-FIT 固定座
MICRO-FIT CONNECTOR HOLDER

13-98-2

- MATERIAL: NYLON 66(UL)
- FLAME CLASS: 94V-0
- COLOR: BLACK



PART NO	A	B	C	PACKAGE
MJQB-18AT	8.0	16.7	12.2	500

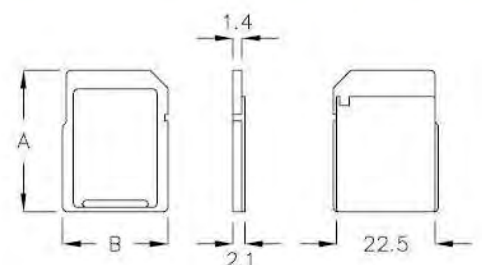


SD 卡保護座 SD CARD SOCKET COVER

13-98-3

- MATERIAL: ABS(UL)
- COLOR: BLACK

PART NO	A	B	PACKAGE
SDH-01	32.0	24.0	500

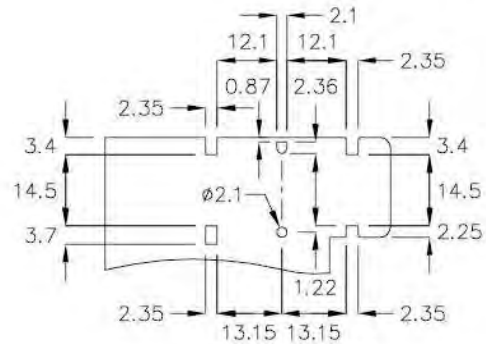
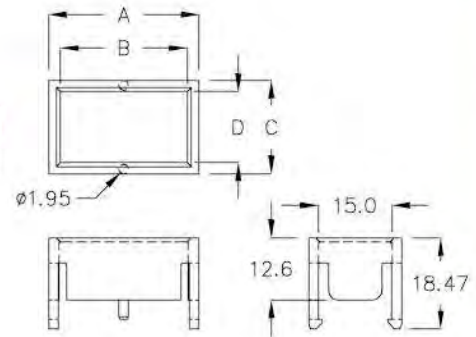




連接器固定座 CONNECTOR MOUNT ———— | 13-99-1 |

- MATERIAL: NYLON 66(UL)
- FLAME CLASS: 94V-2
- COLOR: BLACK

PART NO	A	B	C	D	PACKAGE
MNK-30YM	30.6	25.8	18.9	14.4	200



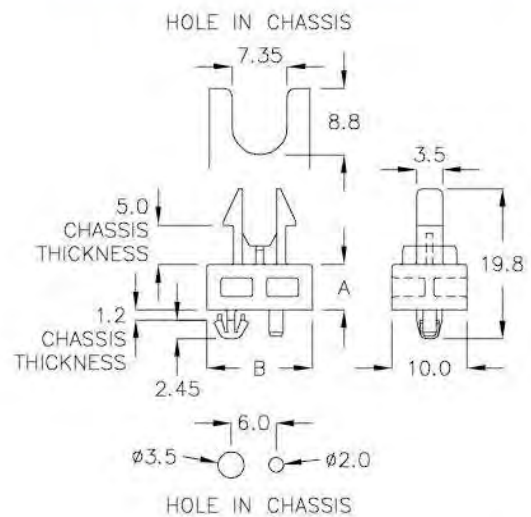
HOLE IN CHASSIS
CHASSIS THICKNESS:3.75mm



連接器固定座 CONNECTOR MOUNT ———— | 13-99-2 |

- MATERIAL: NYLON 66(UL)
- FLAME CLASS: 94V-0
- COLOR: BLACK

PART NO	A	B	PACKAGE
MTQA-6KF	6.0	14.0	1000



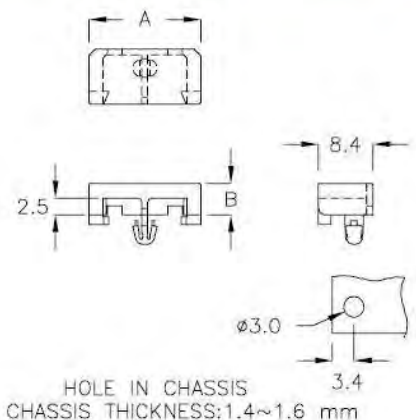
HOLE IN CHASSIS



固定座 MOUNT ———— | 13-99-3 |

- MATERIAL: NYLON 66(UL)
- FLAME CLASS: 94V-2
- COLOR: BLACK

PART NO	A	B	PACKAGE
MRQ-14M	17.3	4.8	1000

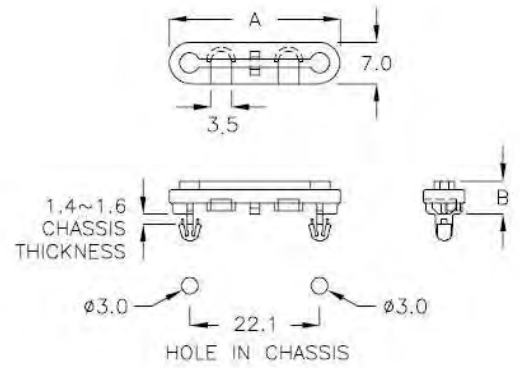


HOLE IN CHASSIS
CHASSIS THICKNESS:1.4~1.6 mm



固定座 MOUNT ————— |13-100-1|

- MATERIAL: NYLON 66(UL)
- FLAME CLASS: 94V-2
- COLOR: BLACK

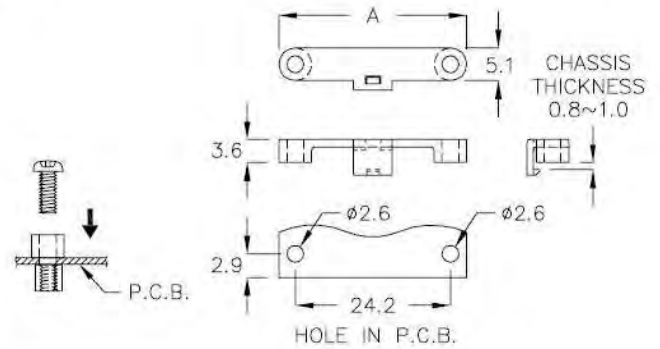


PART NO	A	B	PACKAGE
MRQ-29	29.1	5.6	1000



網通卡固定座 MOUNT ————— |13-100-2|

- MATERIAL: NYLON 66(UL)
- FLAME CLASS: 94V-2
- COLOR: NATURAL
- USE M2.5 SCREW

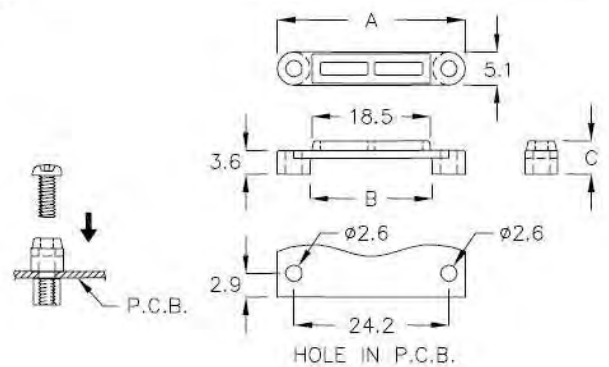


PART NO	A	PACKAGE
MRR-29	29.3	2000



網通卡固定座 MOUNT ————— |13-100-3|

- MATERIAL: NYLON 66(UL)
- FLAME CLASS: 94V-0
- COLOR: NATURAL
- USE M2.5 SCREW

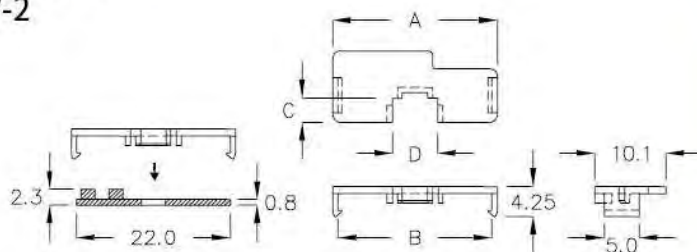


PART NO	A	B	C	PACKAGE
MRR-29AK	29.3	19.1	5.1	2000
★ MRR-29HC	29.3	20.1	4.4	



M.2 卡固定座 MOUNT 13-101-1

- MATERIAL: NYLON 66(UL)
- FLAME CLASS: 94V-2
- COLOR: BLACK

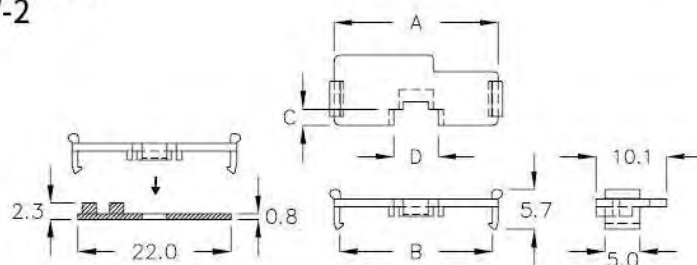


PART NO	A	B	C	D	PACKAGE
MRH-23FC	23.4	21.9	3.4	6.4	2000



M.2 卡固定座 MOUNT 13-101-2

- MATERIAL: NYLON 66(UL)
- FLAME CLASS: 94V-2
- COLOR: NATURAL

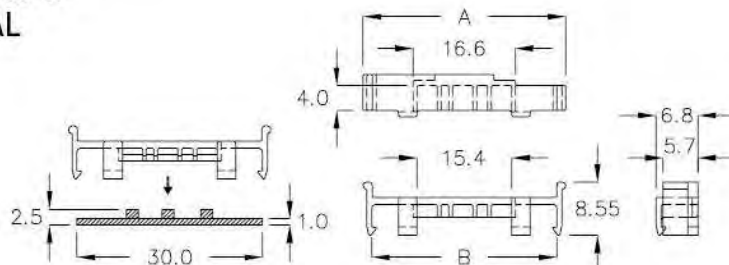


PART NO	A	B	C	D	PACKAGE
MRH-23AC	23.6	21.8	2.4	6.4	2000
MRH-23TG	23.6	21.9	2.4	5.0	
MRH-23SK	23.6	21.9	3.4	6.4	



M.2 卡固定座 MOUNT 13-101-3

- MATERIAL: NYLON 66(UL)
- FLAME CLASS: 94V-2
- COLOR: NATURAL



PART NO	A	B	PACKAGE
MRM-31C	32.9	30.1	1000

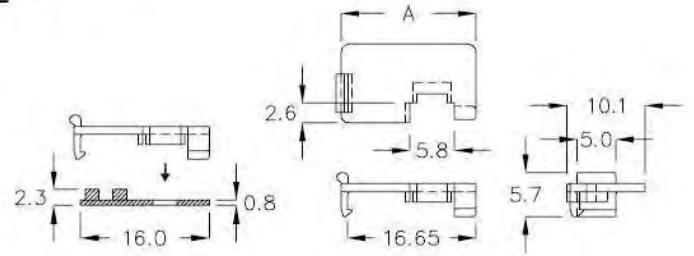


PART NO	A	PACKAGE
MRX-16D	17.5	2000

M.2 卡固定座 MOUNT

13-102-1

- MATERIAL: NYLON 66(UL)
- FLAME CLASS: 94V-2
- COLOR: NATURAL

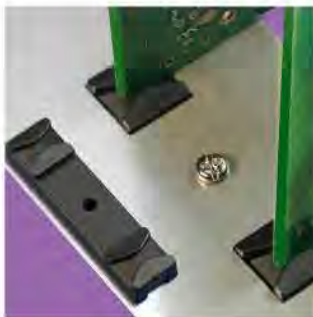
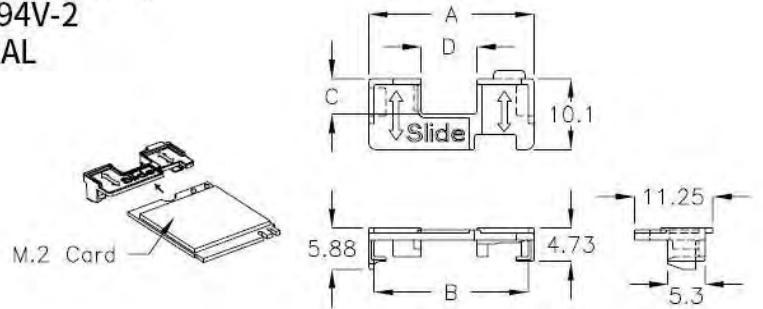


PART NO	A	B	C	D	PACKAGE
MRY-23CL	23.6	22.05	5.05	8.0	2000

M.2 卡固定座 MOUNT

13-102-2

- MATERIAL: NYLON 66(UL)
- FLAME CLASS: 94V-2
- COLOR: NATURAL

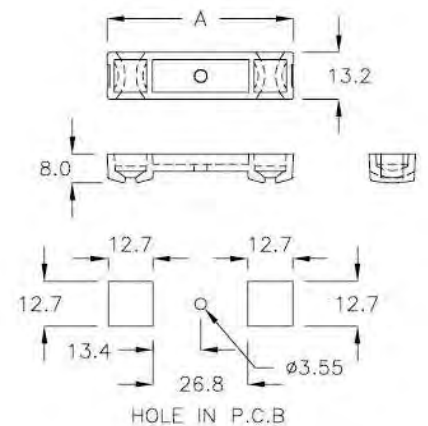


固定座 MOUNT

13-102-3

- MATERIAL: NYLON 66(UL)
- FLAME CLASS: 94V-2
- COLOR: BLACK

PART NO	A	PACKAGE
CGR-52A	52.7	200

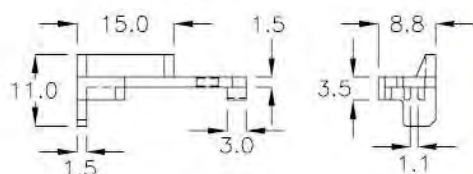
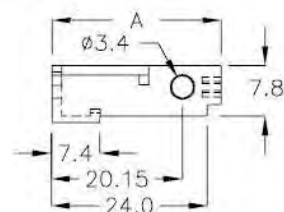




固定座 MOUNT |13-103-1|

- MATERIAL: ABS(UL)
- FLAME CLASS: 94HB
- COLOR: BLACK

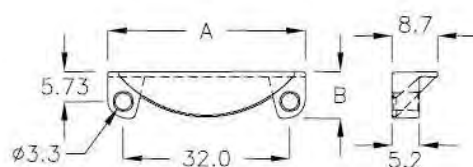
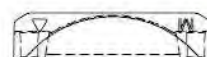
PART NO	A	PACKAGE
MJGP-26K	26.15	200



固定座 HOUSING |13-103-2|

- MATERIAL: ABS+PC(UL)
- FLAME CLASS: 94V-0
- COLOR: BLACK

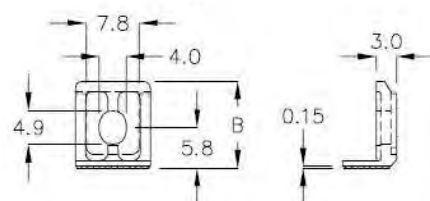
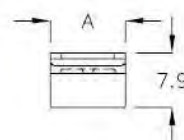
PART NO	A	B	PACKAGE
MLW-38HC	38.0	9.0	200



固定座 MOUNT |13-103-3|

- MATERIAL: PC(UL)
- FLAME CLASS: 94V-2
- COLOR: BLACK
- ADHESIVE TAPE: 3M

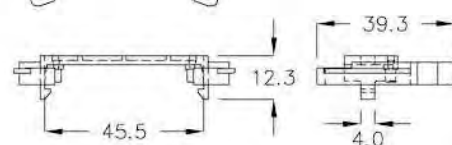
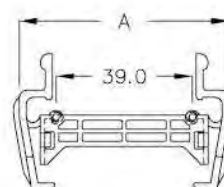
PART NO	A	B	PACKAGE
UAC-12B	11.0	12.55	500



SATA 固定扣 NIFLATCH |13-103-4|

- MATERIAL: NYLON 66(UL)
- FLAME CLASS: 94V-0
- COLOR: BLACK

PART NO	A	PACKAGE
HPM-56A	60.2	200

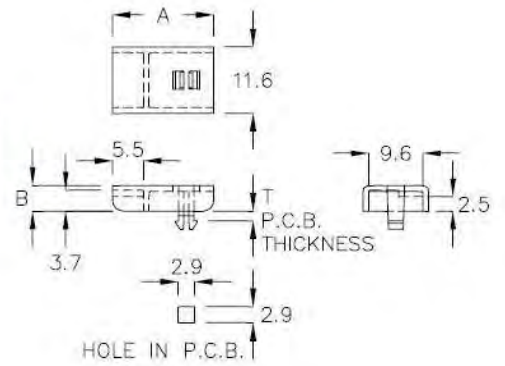




固定座 MOUNT |13-104-1|

- MATERIAL: NYLON 66(UL)
- FLAME CLASS: 94V-2
- COLOR: NATURAL

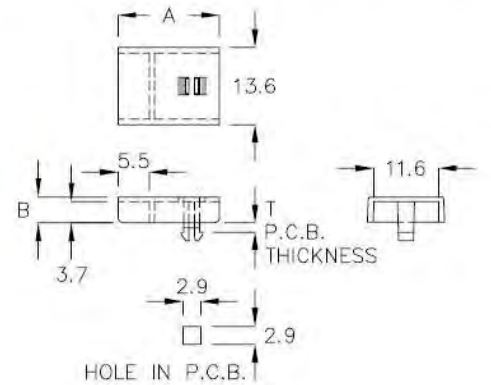
PART NO	A	B	T P.C.B. THICKNESS	PACKAGE
MMF-01	18.0	4.5	1.4~1.6	1000



固定座 MOUNT |13-104-2|

- MATERIAL: NYLON 66+30%FRP
- FLAME CLASS: 94V-0
- COLOR: BLACK

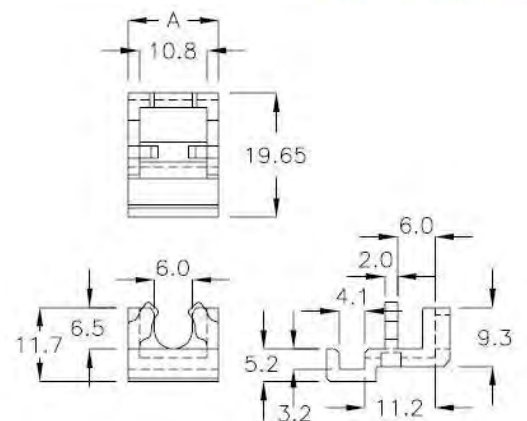
PART NO	A	B	T P.C.B. THICKNESS	PACKAGE
MMF-1K	18.0	4.5	1.4~1.6	1000



固定座 MOUNT |13-104-3|

- MATERIAL: NYLON 66(UL)
- FLAME CLASS: 94V-2
- COLOR: BLACK

PART NO	A	PACKAGE
MMFA-20T	14.4	1000

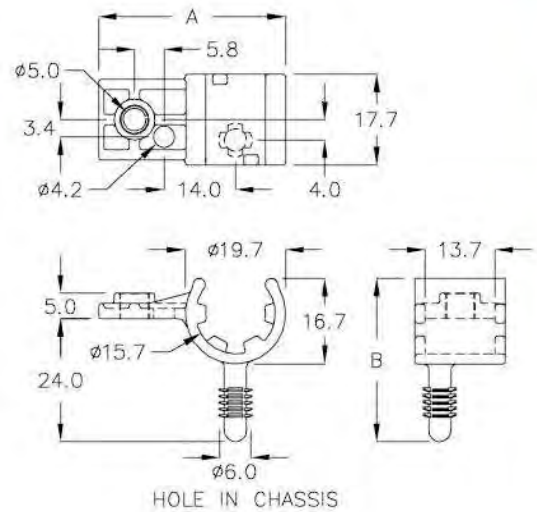




固定座 MOUNT |13-105-1|

- MATERIAL: NYLON 66(UL)
- FLAME CLASS: 94V-0
- COLOR: BLACK

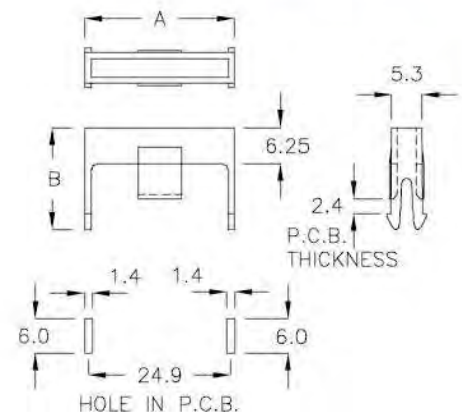
PART NO	A	B	PACKAGE
MRAT-15M	36.65	31.9	100



固定座 MOUNT |13-105-2|

- MATERIAL: NYLON 66(UL)
- FLAME CLASS: 94V-2
- COLOR: BLACK

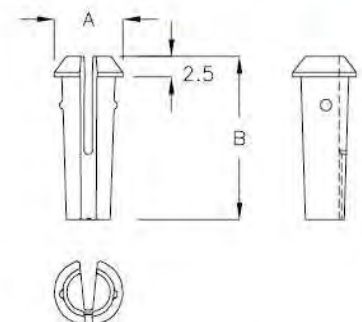
PART NO	A	B	PACKAGE
MGL-26A	26.1	17.7	500



固定座 MOUNT |13-105-3|

- MATERIAL: ABS+PC(UL)
- FLAME CLASS: 94V-0
- COLOR: BLACK

PART NO	A	B	PACKAGE
MMS-20	8.4	20.0	1000



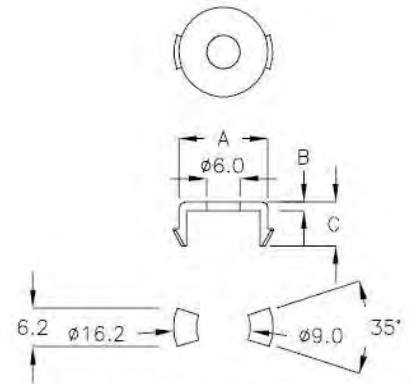
HOLE IN CHASSIS: $\phi 6.0$
CHASSIS THICKNESS: 2.5mm



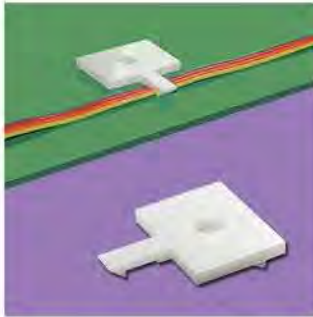
保護蓋 HOLE PROTECTOR 13-106-1

- MATERIAL: NYLON 66(UL)
- FLAME CLASS: 94V-2
- COLOR: NATURAL

PART NO	A	B	C	PACKAGE
MHY-01	∅16.0	1.5	6.3	1000



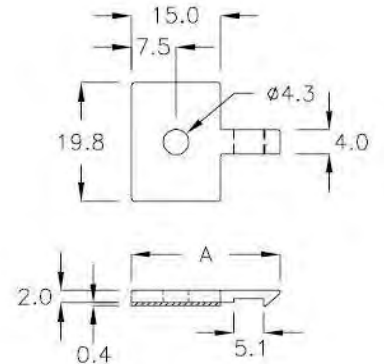
CHASSIS THICKNESS: 3.0mm



固定座 MOUNT 13-106-2

- MATERIAL: ABS(UL)
- FLAME CLASS: 94HB
- COLOR: NATURAL
- ADHESIVE TAPE: 3M

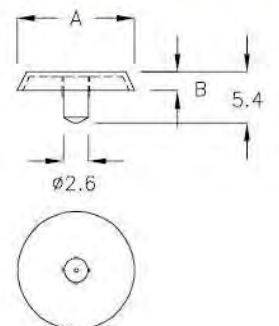
PART NO	A	PACKAGE
MZT-25	25.0	1000



塞頭 HOLE PLUG 13-106-3

- MATERIAL: NYLON 66(UL)
- FLAME CLASS: 94V-2
- COLOR: BLACK

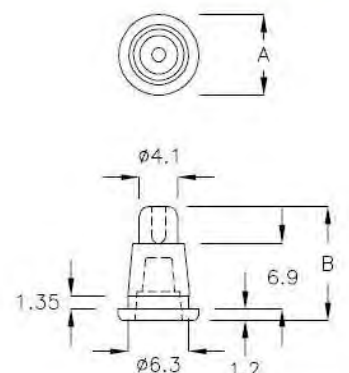
PART NO	A	B	PACKAGE
P-1	∅12.5	2.0	1000



定位銷 PIN PLANAR LOCATOR 13-106-4

- MATERIAL: NYLON 66(UL)
- FLAME CLASS: 94V-2
- COLOR: NATURAL

PART NO	A	B	PACKAGE
P-5	∅8.5	12.0	1000

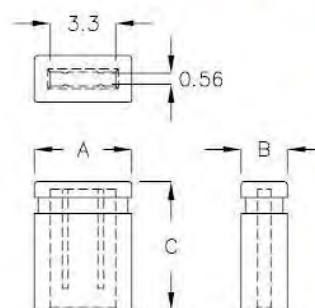




保護蓋 PIN HEADER PROTECTOR |13-107-1|

- MATERIAL: PBT(UL)
- FLAME CLASS: 94V-0
- COLOR: BLACK

PART NO	A	B	C	PACKAGE
MGX-6AK	4.95	2.35	6.5	2000

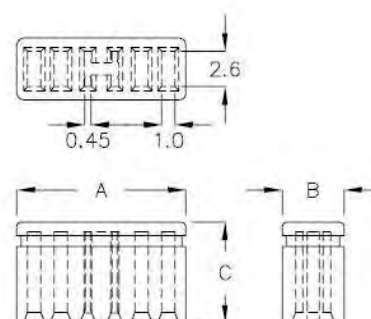


保護蓋 PIN HEADER PROTECTOR |13-107-2|

- MATERIAL: NYLON 66(UL)
- FLAME CLASS: 94V-0
- COLOR: BLACK

NEW

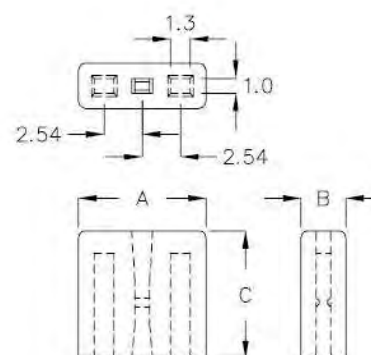
PART NO	A	B	C	PACKAGE
★ MGX-7BL	12.6	4.6	7.5	2000



保護蓋 PIN HEADER PROTECTOR |13-107-3|

- MATERIAL: PBT(UL)
- FLAME CLASS: 94V-0
- COLOR: BLACK

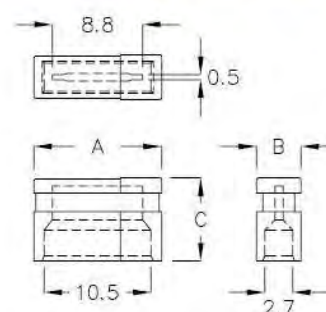
PART NO	A	B	C	PACKAGE
MGX-8CK	8.5	3.0	8.5	2000



保護蓋 PIN HEADER PROTECTOR |13-107-4|

- MATERIAL: PBT(UL)
- FLAME CLASS: 94V-0
- COLOR: BLACK

PART NO	A	B	C	PACKAGE
MGX-8MS	12.5	4.35	8.1	2000



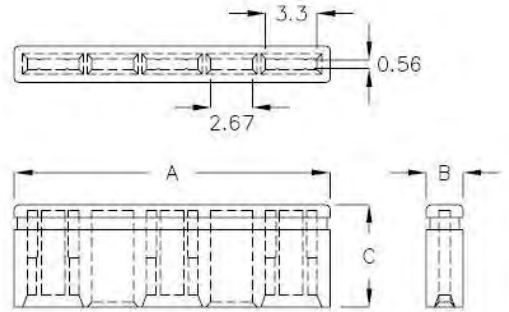


保護蓋 PIN HEADER PROTECTOR |13-108-1|

- MATERIAL: PBT(UL)
- FLAME CLASS: 94V-0
- COLOR: BLACK

NEW

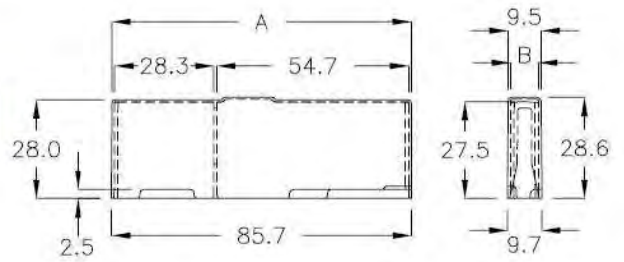
PART NO	A	B	C	PACKAGE
★ MGX-20FT	20.2	2.35	6.5	1000



保護蓋 HOLE PROTECTOR |13-108-2|

- MATERIAL: PP(UL)
- FLAME CLASS: 94V-0
- COLOR: NATURAL

PART NO	A	B	PACKAGE
DXCF-85KB	85.5	7.9	100

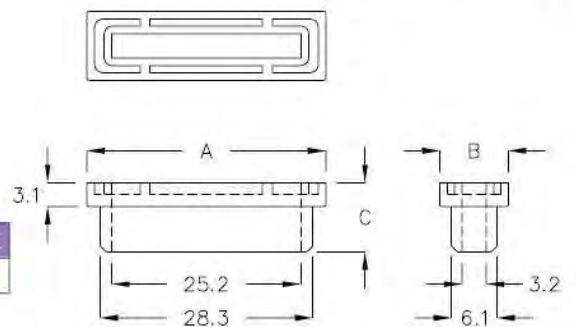


保護蓋 HOLE PROTECT COVER |13-108-3|

- MATERIAL: PC(UL)
- COLOR: BLACK

NEW

PART NO	A	B	C	PACKAGE
★ MDC-31A	31.8	9.1	9.1	500

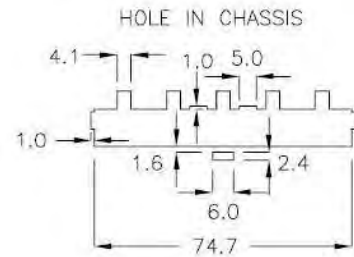
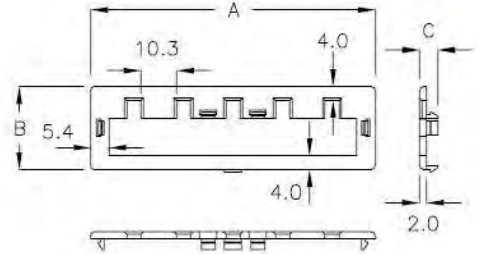




保護蓋 HOLE PROTECTOR |13-109-1|

- MATERIAL: NYLON 66(UL)
- FLAME CLASS: 94V-2
- COLOR: BLACK

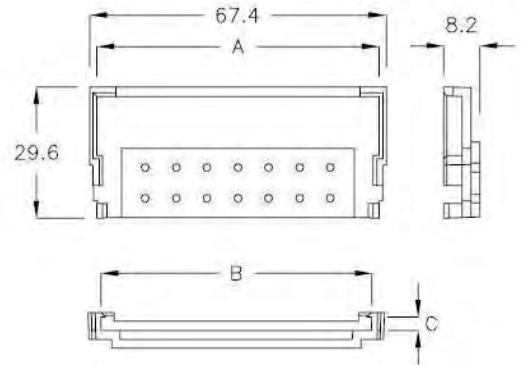
PART NO	A	B	C	PACKAGE
MPR-01	82.6	23.9	5.2	100



記憶卡保護蓋 MEMORY CARD COVER |13-109-2|

- MATERIAL: NYLON 66(UL)
- FLAME CLASS: 94V-2
- COLOR: BLACK

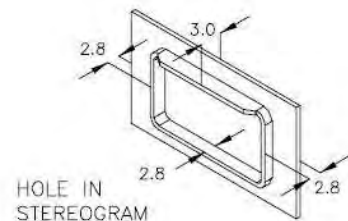
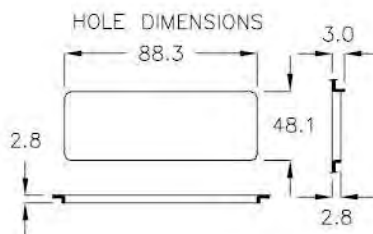
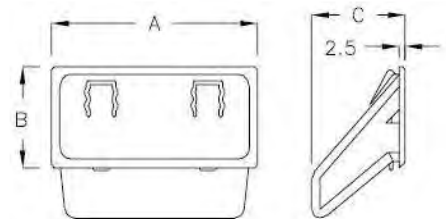
PART NO	A	B	C	PACKAGE
VFA-02	64.5	61.5	3.1	100



提把 HANDLE |13-109-3|

- MATERIAL: ABS(UL)
- FLAME CLASS: 94V-0
- COLOR: BLACK

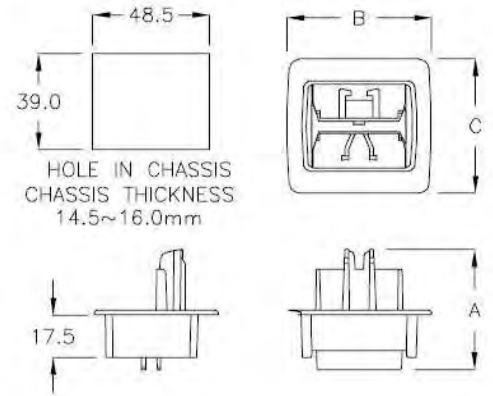
PART NO	A	B	C	PACKAGE
MKP-91	92.3	52.3	41.7	50





紙箱固定座 CARTON BOX HANDLE ————|13-110-1|

- MATERIAL: PP
- COLOR: NATURAL

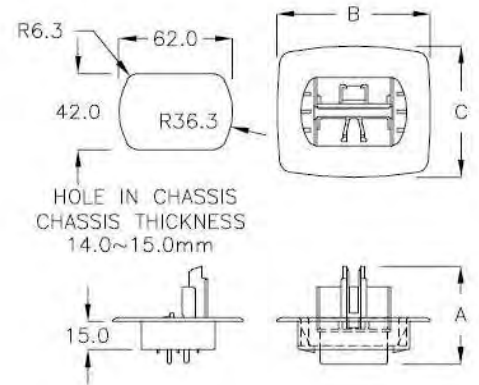


PART NO	A	B	C	PACKAGE
MKK-82A	50.0	59.0	54.0	50



紙箱固定座 CARTON BOX HANDLE ————|13-110-2|

- MATERIAL: PP
- COLOR: NATURAL

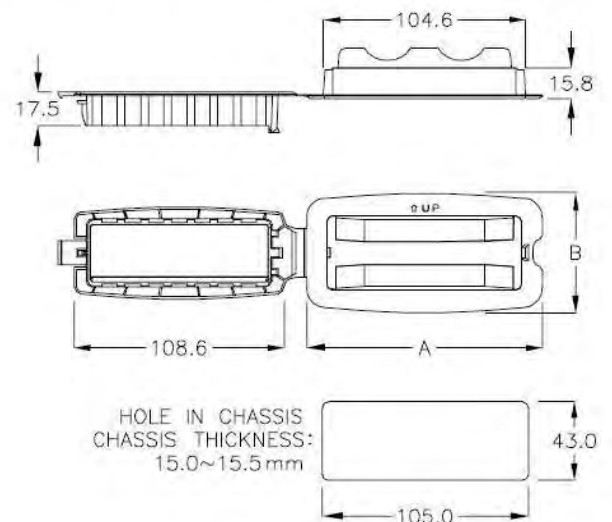


PART NO	A	B	C	PACKAGE
MKK-81DZ	51.2	81.0	69.0	50

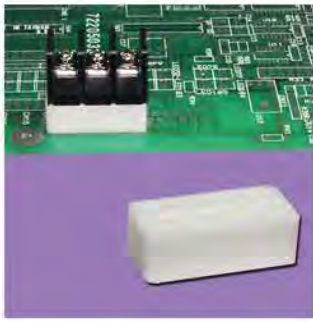


紙箱固定座 CARTON BOX HANDLE ————|13-110-3|

- MATERIAL: PP
- COLOR: NATURAL



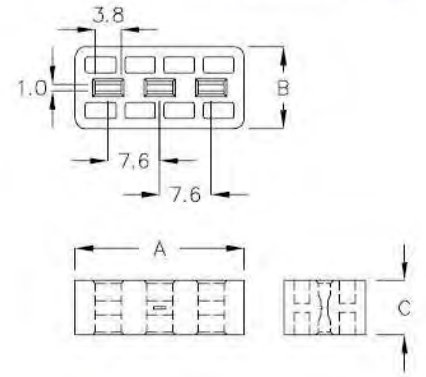
PART NO	A	B	PACKAGE
MKK-92	122.0	62.0	10



端子固定座 MOUNT |13-112-1|

- MATERIAL: NYLON 66(UL)
- FLAME CLASS: 94V-0
- COLOR: NATURAL

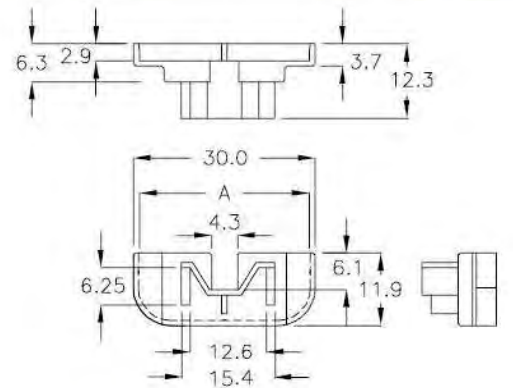
PART NO	A	B	C	PACKAGE
TGB-25K	25.0	12.0	8.0	500



插頭絕緣套 SOCKET INSULATOR HOLDER |13-112-2|

- MATERIAL: NYLON 66(UL)
- FLAME CLASS: 94V-2
- COLOR: BLACK

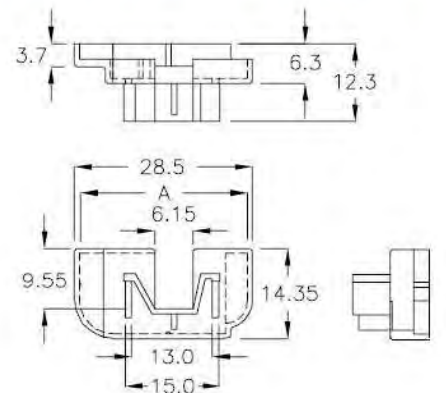
PART NO	A	PACKAGE
MTY-01	28.0	200



插頭絕緣套 SOCKET INSULATOR HOLDER |13-112-3|

- MATERIAL: NYLON 66(UL)
- FLAME CLASS: 94V-2
- COLOR: BLACK

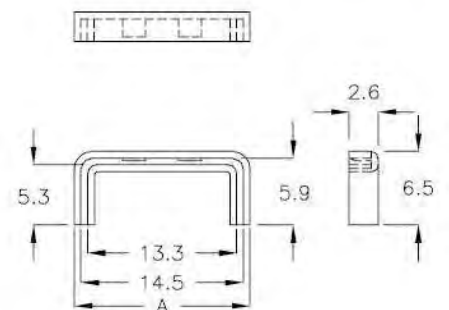
PART NO	A	PACKAGE
MTY-3F	26.7	200



固定座 MOUNT |13-112-4|

- MATERIAL: NYLON 46(UL)
- FLAME CLASS: 94V-0
- COLOR: BLACK

PART NO	A	PACKAGE
MPG-15A	15.7	500

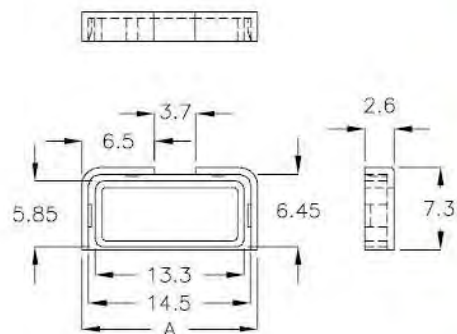




固定座 MOUNT |13-113-1|

- MATERIAL: NYLON 46(UL)
- FLAME CLASS: 94V-0
- COLOR: BLACK

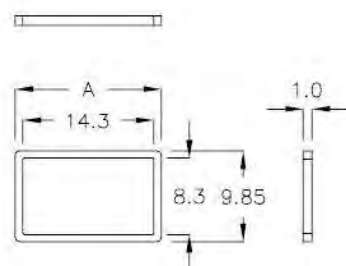
PART NO	A	PACKAGE
MPG-15WF	15.7	500



固定座 MOUNT |13-113-2|

- MATERIAL: NYLON 66(UL)
- FLAME CLASS: 94V-2
- COLOR: NATURAL

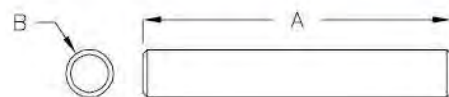
PART NO	A	PACKAGE
MWJ-16	16.0	1000



銷 PIN |13-113-3|

- MATERIAL: NYLON 66(UL)
- FLAME CLASS: 94V-2
- COLOR: NATURAL

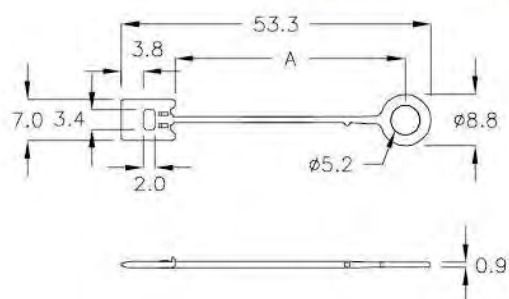
PART NO	A	B	PACKAGE
PIN-13	13.0	ø2.0	1000



固定帶 STRAP TIE |13-113-4|

- MATERIAL: NYLON 66(UL)
- FLAME CLASS: 94V-2
- COLOR: BLACK

PART NO	A	PACKAGE
BFA-40	39.6	500

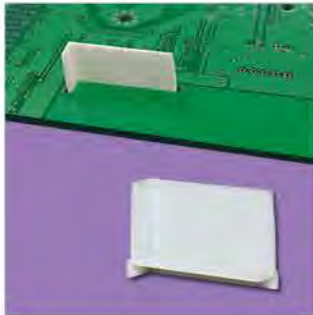
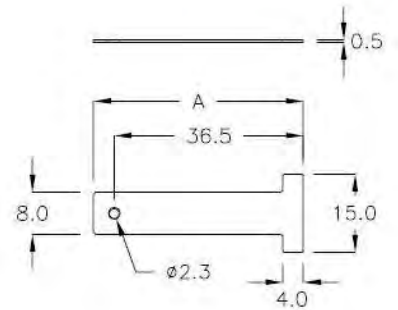




固定帶 STRAP TIE 13-114-1

- MATERIAL: NYLON 66(UL)
- FLAME CLASS: 94V-2
- COLOR: NATURAL

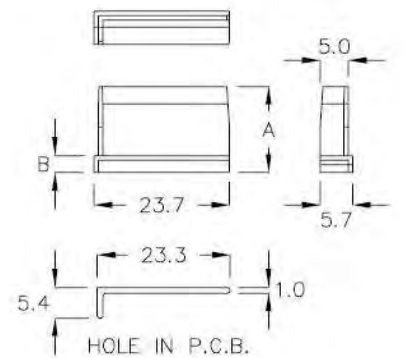
PART NO	A	PACKAGE
TPW-40A	40.5	2000



固定座 MOUNT 13-114-2

- MATERIAL: NYLON 66(UL)
- FLAME CLASS: 94V-0
- COLOR: NATURAL

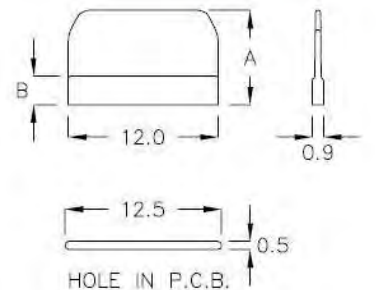
PART NO	A	B	PACKAGE
MPB-03	15.0	3.0	1000



固定座 MOUNT 13-114-3

- MATERIAL: PC(UL)
- COLOR: BLACK

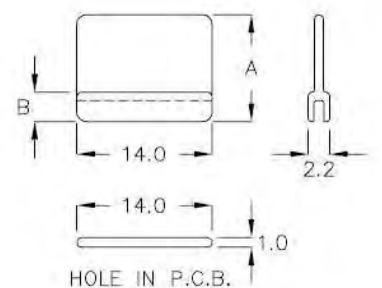
PART NO	A	B	PACKAGE
MPB-12FC	7.5	2.3	1000



固定座 MOUNT 13-114-4

- MATERIAL: NYLON 66(UL)
- FLAME CLASS: 94V-0
- COLOR: NATURAL

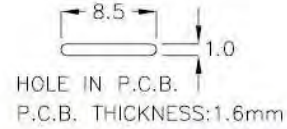
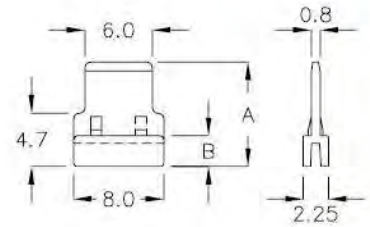
PART NO	A	B	PACKAGE
MPB-3A	11.0	3.0	500





固定座 MOUNT 13-115-1

- MATERIAL: NYLON 66(UL)
- FLAME CLASS: 94V-0
- COLOR: NATURAL

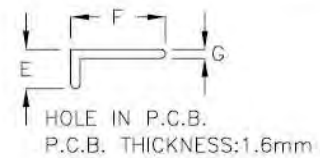
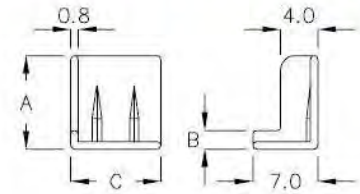


PART NO	A	B	PACKAGE
MPB-8ST	9.2	2.7	1000



固定座 MOUNT 13-115-2

- MATERIAL: NYLON 66(UL)
- FLAME CLASS: 94V-0
- COLOR: NATURAL, BLACK

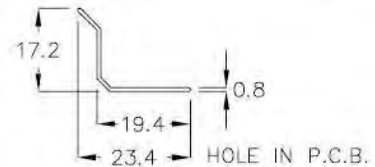
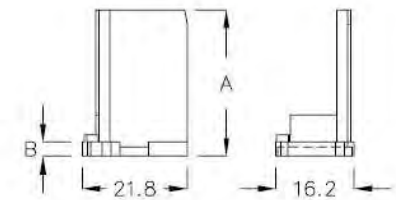


PART NO	A	B	C	E	F	G	PACKAGE
MPB-9FT	9.0	2.0	9.0	4.65	9.5	1.1	1000
MPB-10GK	10.0	2.0	9.7	4.2	10.2	1.0	



固定座 MOUNT 13-115-3

- MATERIAL: NYLON 66+30%FRP
- FLAME CLASS: 94V-0
- COLOR: NATURAL

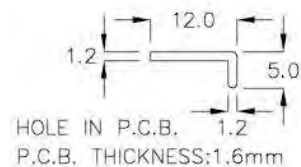
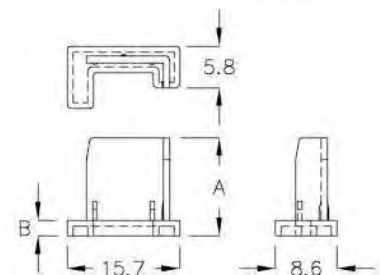


PART NO	A	B	PACKAGE
MPB-4A	30.2	2.95	500



固定座 MOUNT 13-115-4

- MATERIAL: NYLON 66(UL)
- FLAME CLASS: 94V-0
- COLOR: NATURAL



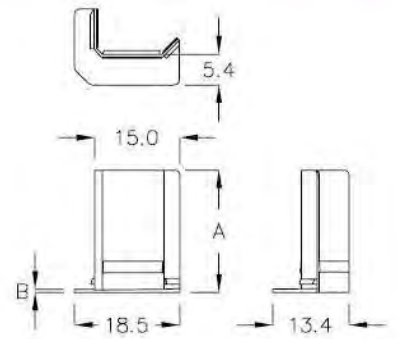
PART NO	A	B	PACKAGE
MPB-15GK	13.6	2.2	500



固定座 MOUNT 13-116-1

- MATERIAL: NYLON 66(UL)
- FLAME CLASS: 94V-0
- COLOR: BLACK

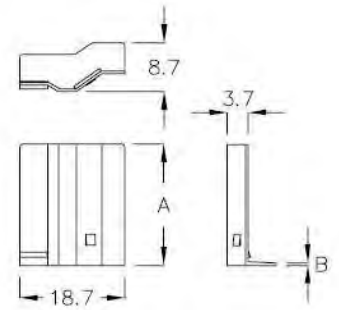
PART NO	A	B	PACKAGE
MPB-18MD	21.4	0.45	500



固定座 MOUNT 13-116-2

- MATERIAL: NYLON 66(UL)
- FLAME CLASS: 94V-0
- COLOR: BLACK

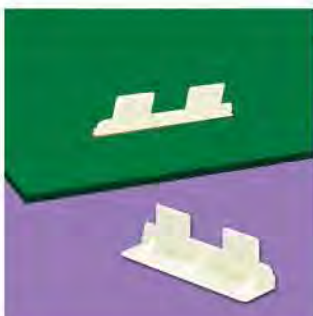
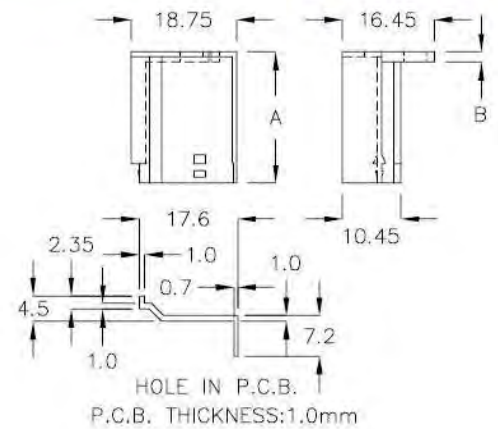
PART NO	A	B	PACKAGE
MPB-18PQ	21.4	0.45	500



固定座 MOUNT 13-116-3

- MATERIAL: NYLON 66(UL)
- FLAME CLASS: 94V-0
- COLOR: NATURAL

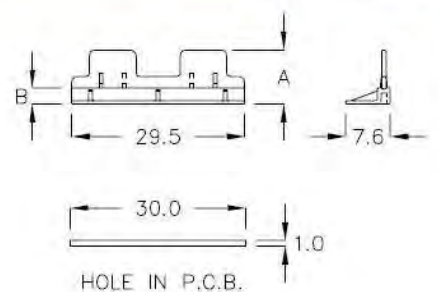
PART NO	A	B	PACKAGE
MPB-18CR	23.2	1.8	500

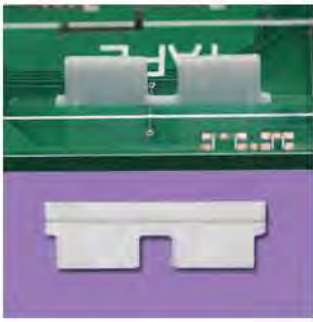


固定座 MOUNT 13-116-4

- MATERIAL: NYLON 66(UL)
- FLAME CLASS: 94V-0
- COLOR: NATURAL

PART NO	A	B	PACKAGE
MPB-29LY	9.2	2.7	500

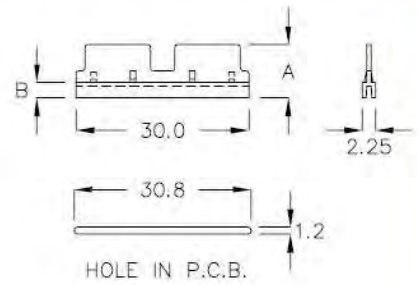




固定座 MOUNT |13-117-1|

- MATERIAL: NYLON 66(UL)
- FLAME CLASS: 94V-0
- COLOR: NATURAL

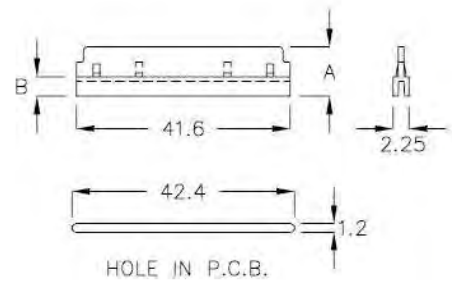
PART NO	A	B	PACKAGE
MPB-30KM	9.2	2.7	500



固定座 MOUNT |13-117-2|

- MATERIAL: NYLON 66(UL)
- FLAME CLASS: 94V-0
- COLOR: NATURAL

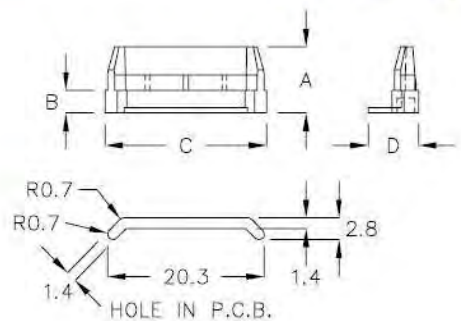
PART NO	A	B	PACKAGE
MPB-42QW	6.8	2.7	500



固定座 MOUNT |13-117-3|

- MATERIAL: NYLON 66(UL)
- FLAME CLASS: 94V-0
- COLOR: NATURAL

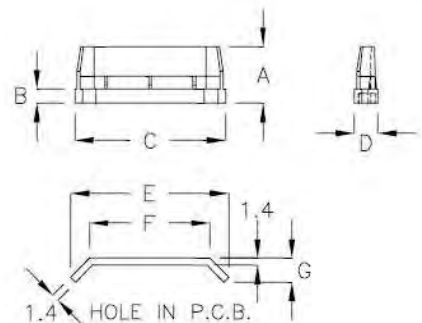
PART NO	A	B	C	D	PACKAGE
MPB-21HT	8.5	2.9	20.9	6.5	1000



固定座 MOUNT |13-117-4|

- COLOR: NATURAL

PART NO	MATERIAL	A	B	C	D	E	F	G	PACKAGE
MPB-27SQ	N66 94V-0	8.25	2.15	27.6	4.9	29.5	22.3	4.6	500
MPB-30J	N66 94V-0	11.55	2.95	30.8	4.8	32.4	24.6	4.9	
MPB-32HW	N66 94V-0	9.05	2.95	32.8	4.9	33.0	25.8	4.6	
MPB-32K	N66+30%FRP	11.55	2.95	32.8	4.9	33.0	25.8	4.6	



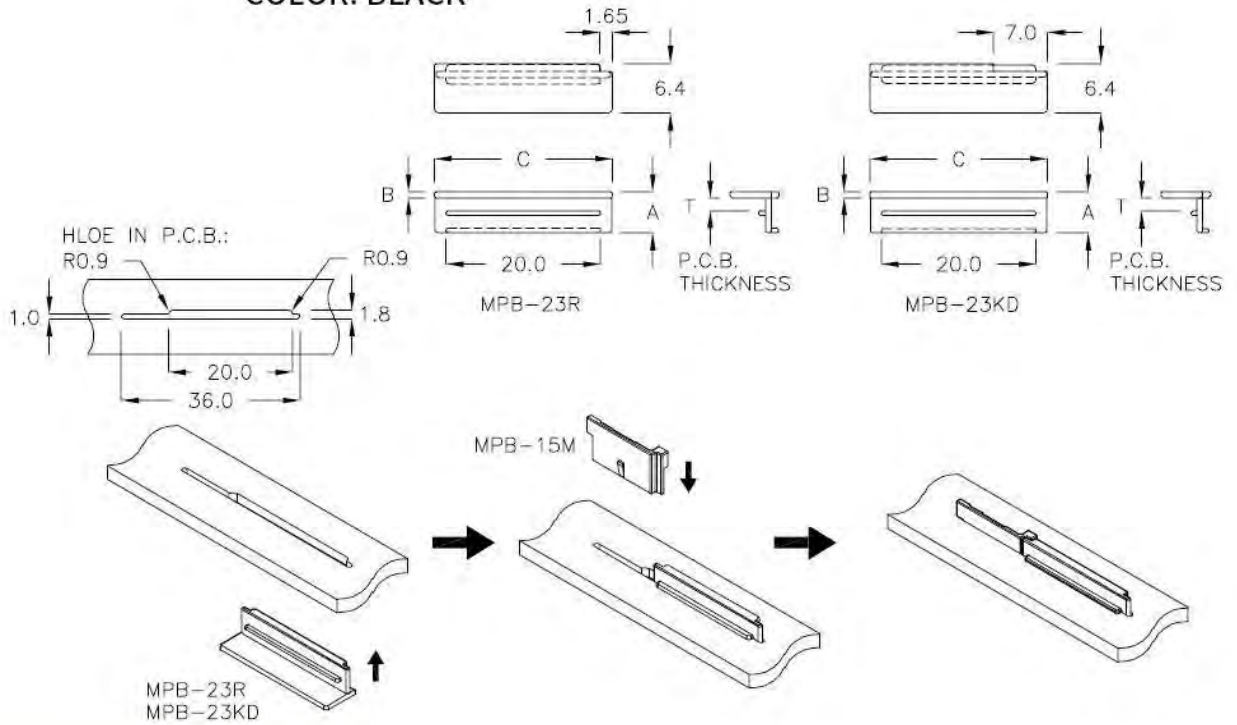
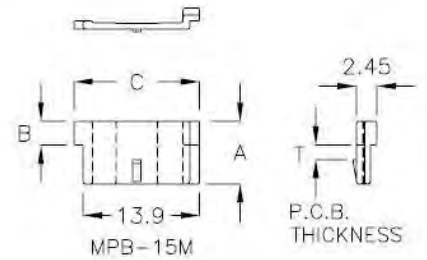


固定座 MOUNT

13-118-1

- MPB-15M**
- MATERIAL: NYLON 66(UL)
 - FLAME CLASS: 94V-0
 - COLOR: NATURAL

- MPB-23R/MPB-23KD**
- MATERIAL: PPS(UL)
 - FLAME CLASS: 94V-0
 - COLOR: BLACK



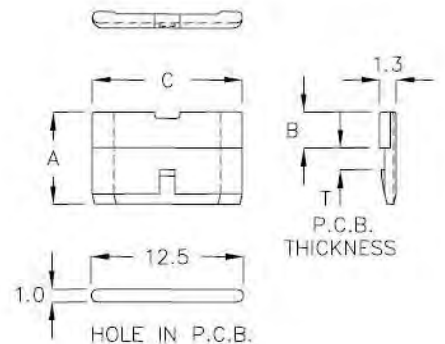
PART NO	A	B	C	T CHASSIS THICKNESS	PACKAGE
MPB-15M	7.4	2.8	15.0	1.6	1000
MPB-23R	5.3	0.8	23.0	1.6	500
MPB-23KD	5.3	0.8	23.0	1.6	



固定座 MOUNT

13-118-2

- MPB-11TN**
- MATERIAL: NYLON 66(UL)
 - FLAME CLASS: 94V-0
 - COLOR: NATURAL

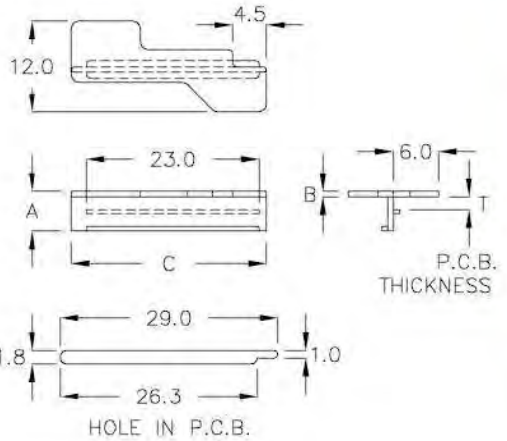


PART NO	A	B	C	T P.C.B. THICKNESS	PACKAGE
MPB-11TN	7.2	2.8	12.0	1.6	1000
MPB-11GL	14.0	2.8	12.0	1.6	500



固定座 MOUNT |13-119-1|

- MATERIAL: PPS(UL)
- FLAME CLASS: 94V-0
- COLOR: BLACK

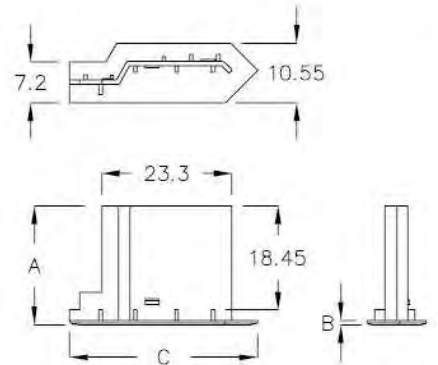


PART NO	A	B	C	T P.C.B. THICKNESS	PACKAGE
MPB-26CK	5.3	0.7	26.0	1.6	500



固定座 MOUNT |13-119-2|

- MATERIAL: NYLON 66(UL)
- FLAME CLASS: 94V-0
- COLOR: NATURAL

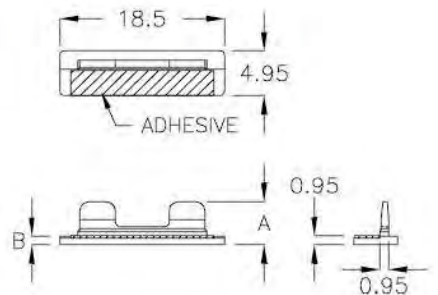


PART NO	A	B	C	PACKAGE
MPB-35TK	21.1	0.8	33.5	500



固定座 MOUNT |13-119-3|

- MATERIAL: PC(UL)
- COLOR: BLACK
- ADHESIVE TAPE: JUSTAPE



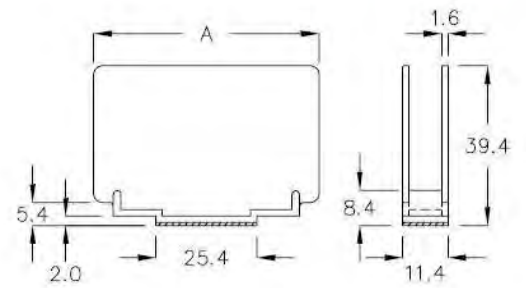
PART NO	A	B	PACKAGE
HCHA-18M	4.8	0.9	1000



固定座 MOUNT |13-120-1|

- MATERIAL: NYLON 66(UL)
- FLAME CLASS: 94V-2
- COLOR: BLACK
- ADHESIVE TAPE: 3M

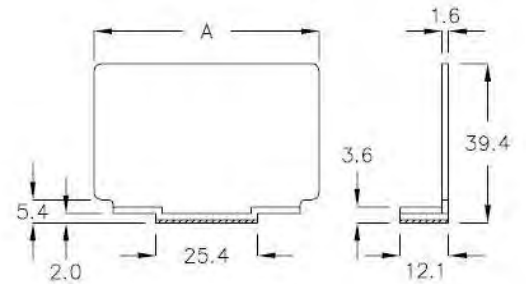
PART NO	A	PACKAGE
MPBH-56K	56.5	100



固定座 MOUNT |13-120-2|

- MATERIAL: NYLON 66(UL)
- FLAME CLASS: 94V-2
- COLOR: BLACK
- ADHESIVE TAPE: 3M

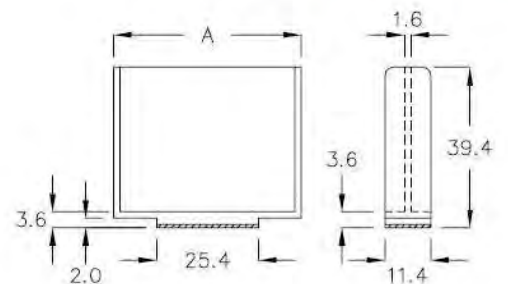
PART NO	A	PACKAGE
MPBL-56A	56.5	100



固定座 MOUNT |13-120-3|

- MATERIAL: NYLON 66(UL)
- FLAME CLASS: 94V-2
- COLOR: BLACK
- ADHESIVE TAPE: 3M

PART NO	A	PACKAGE
MPBT-46C	46.8	100



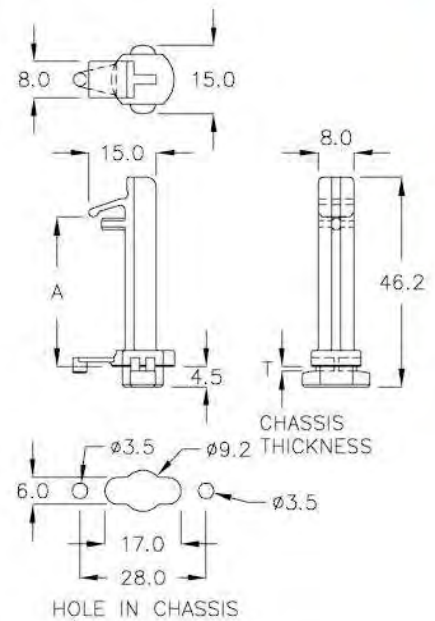


固定座 MOUNT |13-121-1|

- MATERIAL: POM(UL)
- FLAME CLASS: 94HB
- COLOR: NATURAL

INSERT WITH 90 DEGREE ANGLE
AND PRESS DOWN

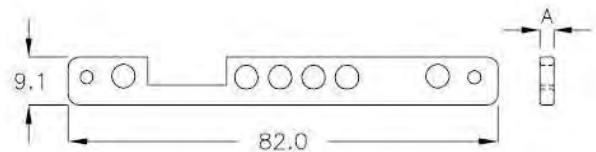
PART NO	A	T CHASSIS THICKNESS	PACKAGE
MGS-46CH	32.9	1.0	100



PIN 固定座 PIN MOUNT |13-121-2|

- MATERIAL: NYLON 66+30%FRP
- FLAME CLASS: 94V-0
- COLOR: BLACK

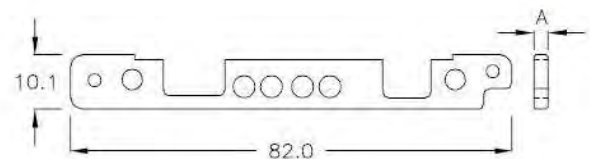
PART NO	A	PACKAGE
DC-01	2.7	500



PIN 固定座 PIN MOUNT |13-121-3|

- MATERIAL: NYLON 66+25%FRP
- FLAME CLASS: 94V-0
- COLOR: BLACK

PART NO	A	PACKAGE
DC-02	2.7	500

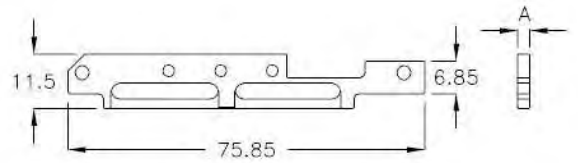




PIN 固定座 PIN MOUNT |13-122-1|

- MATERIAL: NYLON 66+30%FRP
- FLAME CLASS: 94V-0
- COLOR: BLACK

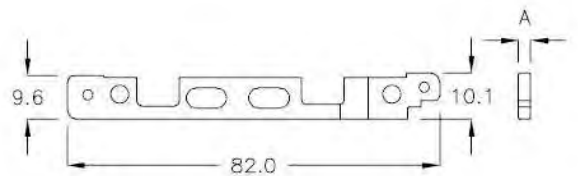
PART NO	A	PACKAGE
DC-2Q	2.6	200



PIN 固定座 PIN MOUNT |13-122-2|

- MATERIAL: NYLON 66+30%FRP
- FLAME CLASS: 94V-0
- COLOR: BLACK

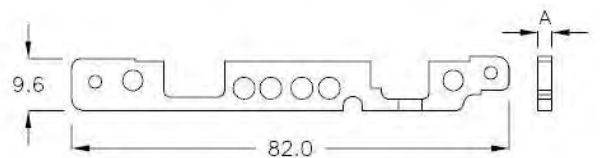
PART NO	A	PACKAGE
DC-2RM	2.7	200



PIN 固定座 PIN MOUNT |13-122-3|

- MATERIAL: NYLON 46(UL)
- FLAME CLASS: 94V-0
- COLOR: BLACK

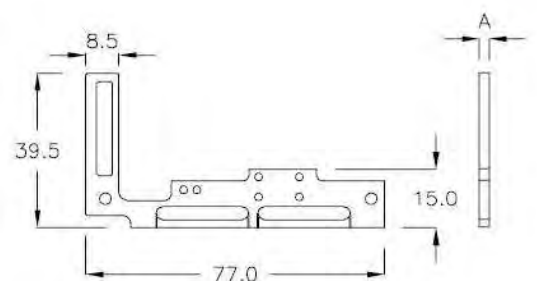
PART NO	A	PACKAGE
DC-3F	2.6	200



PIN 固定座 PIN MOUNT |13-122-4|

- MATERIAL: NYLON 46(UL)
- FLAME CLASS: 94V-0
- COLOR: BLACK

PART NO	A	PACKAGE
DC-2H	2.6	200

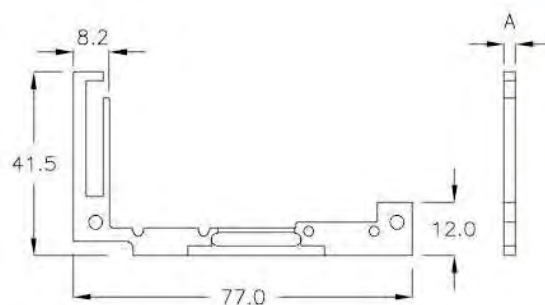




PIN 固定座 PIN MOUNT |13-123-1|

- MATERIAL: PPS
- FLAME CLASS: 94V-0
- COLOR: BLACK

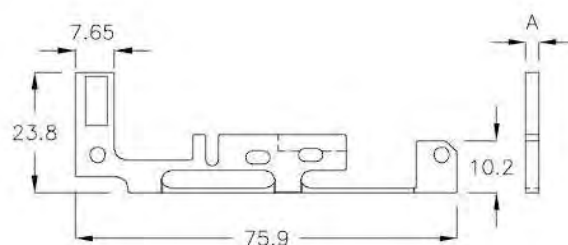
PART NO	A	PACKAGE
DC-4LS	2.7	200



PIN 固定座 PIN MOUNT |13-123-2|

- MATERIAL: NYLON 66+30%FRP
- FLAME CLASS: 94V-0
- COLOR: BLACK

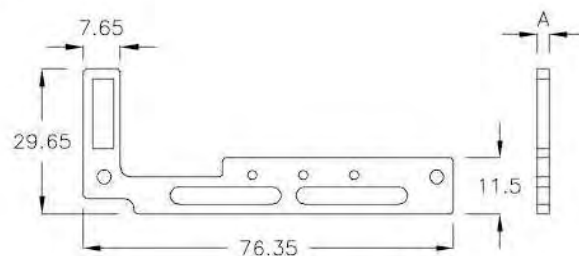
PART NO	A	PACKAGE
DC-4QF	2.6	200



PIN 固定座 PIN MOUNT |13-123-3|

- MATERIAL: NYLON 66+30%FRP
- FLAME CLASS: 94V-0
- COLOR: BLACK

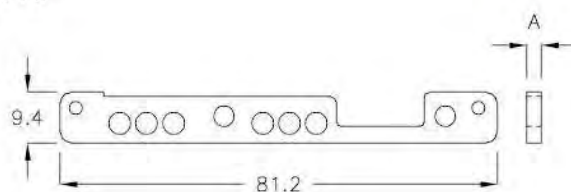
PART NO	A	PACKAGE
DC-4RK	2.6	200



PIN 固定座 PIN MOUNT |13-123-4|

- MATERIAL: NYLON 66+30%FRP
- FLAME CLASS: 94V-0
- COLOR: BLACK

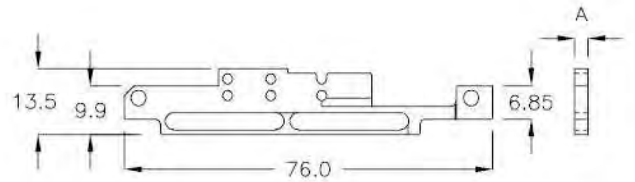
PART NO	A	PACKAGE
DC-5MA	2.7	200



PIN 固定座 PIN MOUNT |13-124-1|

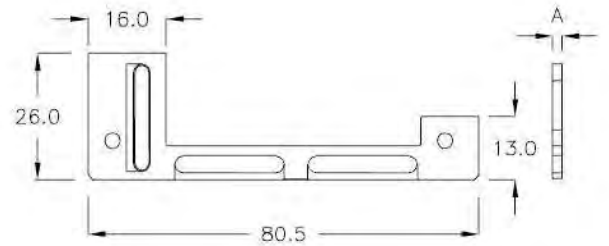
- MATERIAL: NYLON 46(UL)
- FLAME CLASS: 94V-0
- COLOR: BLACK

PART NO	A	PACKAGE
DC-6CN	2.7	200

PIN 固定座 PIN MOUNT |13-124-2|

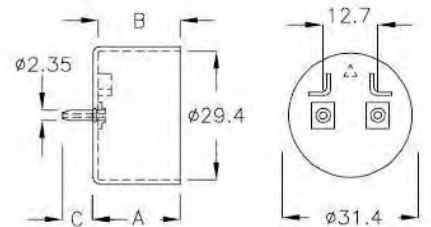
- MATERIAL: NYLON 46(UL)
- FLAME CLASS: 94V-0
- COLOR: BLACK

PART NO	A	PACKAGE
DC-7XK	2.6	200

燈帽 LAMP TUBE CAP |13-124-3|

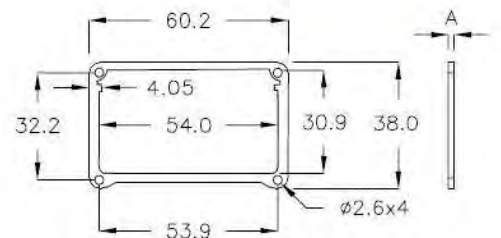
- MATERIAL: PC
- FLAME CLASS: 94V-0
- COLOR: WHITE

FOR T9 LAMP				
PART NO	A	B	C	PACKAGE
T9A-3C	20.0	18.8	7.1	100

墊圈 GASKET |13-124-4|

- MATERIAL: SILICONE
- FLAME CLASS: 94V-0
- COLOR: BLACK

PART NO	A	PACKAGE
LRA-60	1.7	500



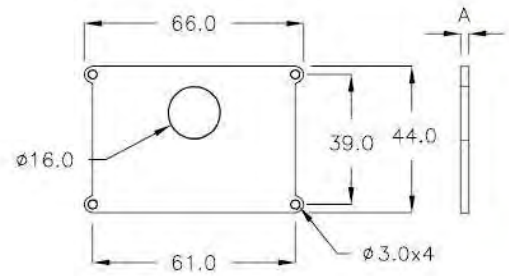


墊片 SILICONE PAD

13-125-1

- MATERIAL: SILICONE
- FLAME CLASS: 94V-0
- COLOR: BLACK

PART NO	A	PACKAGE
GCA-66	0.8	200

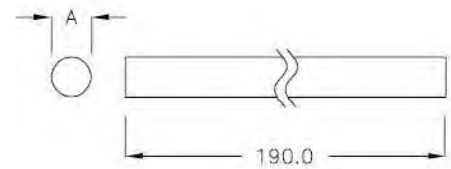


膠條 SILICONE TIE

13-125-2

- MATERIAL: SILICONE
- COLOR: BLACK

PART NO	A	PACKAGE
LPL-2D	1.0	500

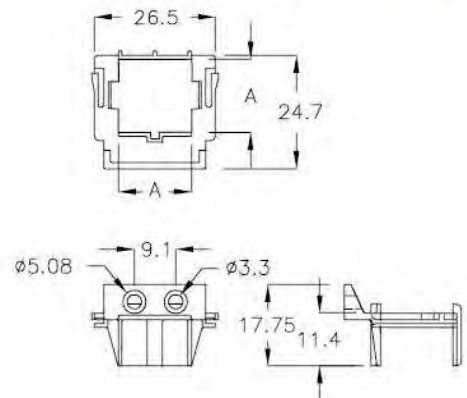


固定座 MOUNT

13-125-3

- MATERIAL: ABS+PC(UL)
- FLAME CLASS: 94V-0
- COLOR: NATURAL, BLACK

PART NO	A	PACKAGE
MPW-24Q	16.0	200

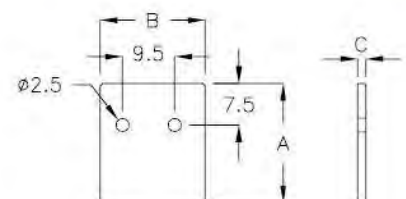


固定座 MOUNT

13-125-4

- MATERIAL: NYLON 66(UL)
- FLAME CLASS: 94V-2
- COLOR: NATURAL

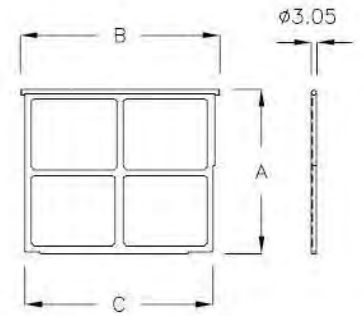
PART NO	A	B	C	PACKAGE
MDD-21H	21.5	19.0	1.5	500





防塵蓋 COVER 13-126-1

- MATERIAL: NYLON 66(UL)
- FLAME CLASS: 94V-2
- COLOR: BLACK

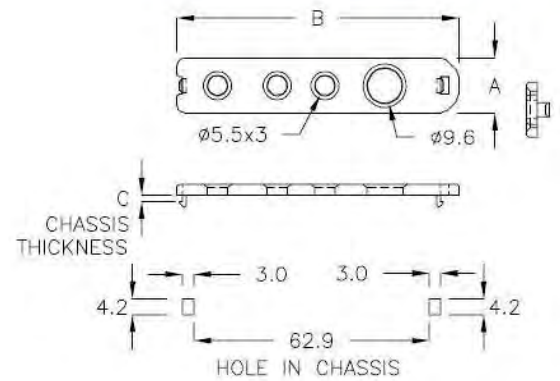


PART NO	A	B	C	PACKAGE
DUA-103C	84.4	103.2	97.0	20
DUA-105K	84.4	105.2	98.9	



固定座 MOUNT 13-126-2

- MATERIAL: ABS+PC(UL)
- FLAMECLASS: 94V-0
- COLOR: BLACK

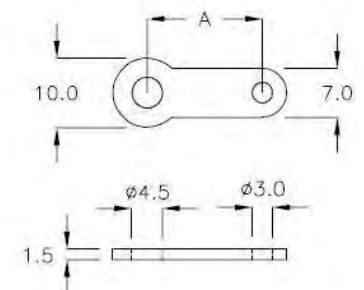


PART NO	A	B	C CHASSIS THICKNESS	PACKAGE
MGW-75	14.6	75.0	1.6	100



固定帶 STRAP MOUNT 13-126-3

- MATERIAL: SILICONE
- FLAME CLASS: 94V-0
- COLOR: BLACK

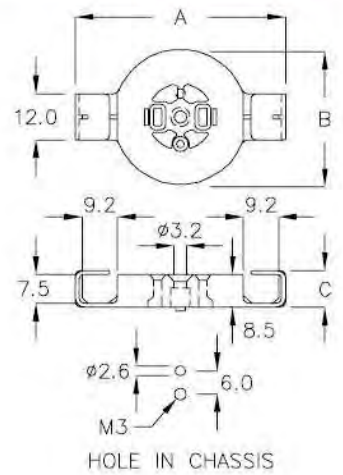


PART NO	A	PACKAGE
DHM-25A	16.7	1000



光纖固定座 OPTICAL FIBER MOUNT ————|13-128-1|

- MATERIAL: NYLON 66(UL)
- FLAME CLASS: 94V-2
- COLOR: NATURAL

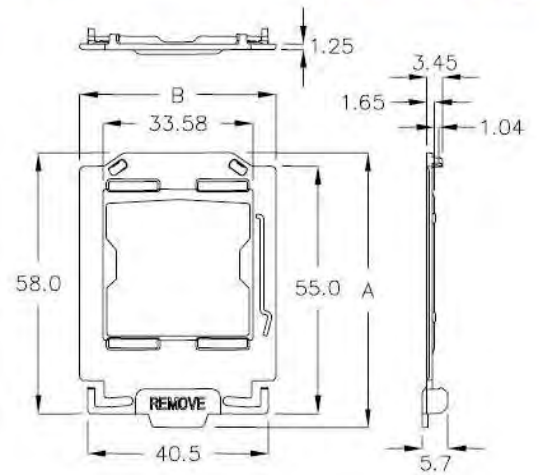


PART NO	A	B	C	PACKAGE
WC-55F	54.8	∅35.0	9.5	200



CPU 插座蓋 CPU SOCKET COVER ————|13-128-2|

- MATERIAL: PC(UL)
- COLOR: BLACK

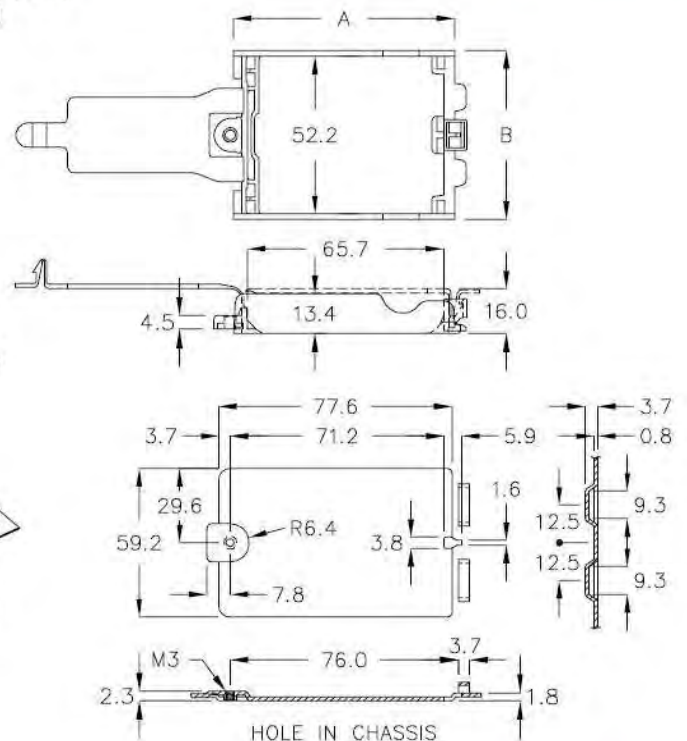


PART NO	A	B	PACKAGE
HFX-61CP	61.0	44.0	100

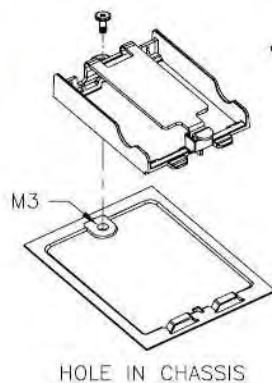


電池盒 BATTERY BRACKET ————|13-128-3|

- MATERIAL: NYLON 66(UL)
- FLAME CLASS: 94V-0
- COLOR: BLACK
- USE M3 SCREW

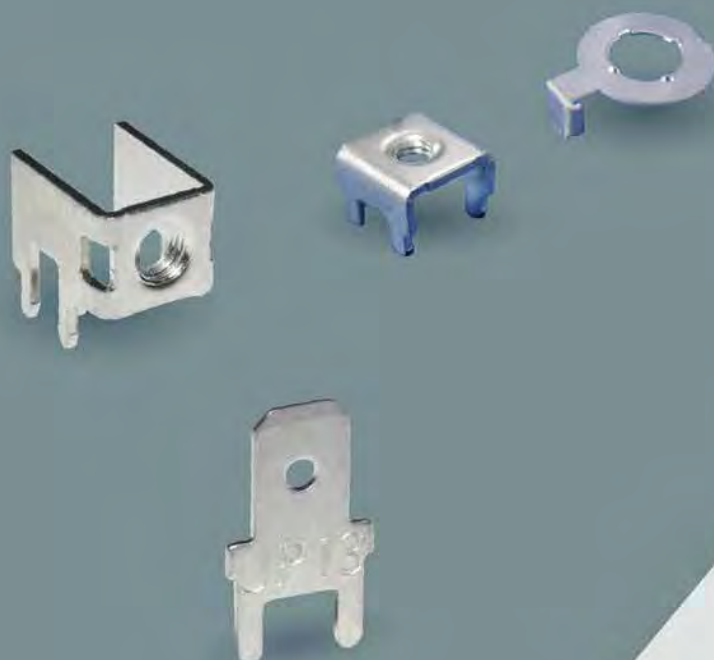


PART NO	A	B	PACKAGE
MVJ-65H	73.5	55.8	50



端子附件
CONNECTORS

14



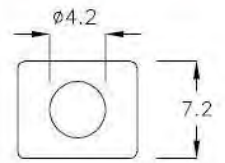
五金

WIRE CLIPS, TEST PIN



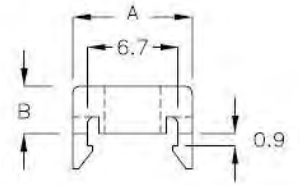
端子隔離座 CONNECTOR SADDLE 14-2-1

- MATERIAL: NYLON 66(UL)
- FLAME CLASS: 94V-2
- COLOR: BLACK



PART NO	A	B	PACKAGE
P-2	8.7	3.5	1000
P-2C	8.7	4.5	

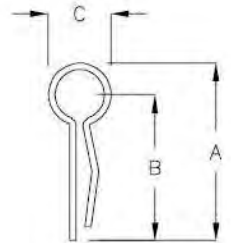
★ TO BE USED WITH P.G. PART JH-8 (Page 14-4-2)



測試點 TEST PIN 14-2-2

- MATERIAL: PHOSPHOR BRONZE WIRE
- PLATING: GOLD
- COLOR: GOLD
- HOLE IN P.C.B.: $\phi 0.9 \sim \phi 1.0$

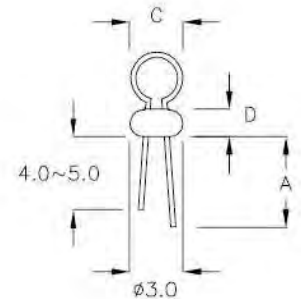
PART NO	A	B	C	PACKAGE
JT-0	9.5	8.1	$\phi 2.8$	1000
JT-1S	10.65	8.75	$\phi 3.8$	



測試點 TEST PIN 14-2-3

- MATERIAL: PHOSPHOR BRONZE WIRE
- PLATING: GOLD
- PLASTIC MATERIAL: PBT
- COLOR: RED, YELLOW, GREEN, BLUE, BLACK, WHITE
- HOLE IN P.C.B.: $\phi 0.9 \sim \phi 1.0$

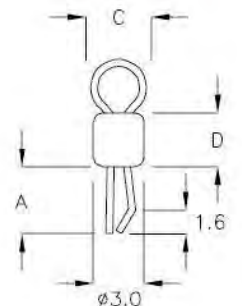
PART NO	A	C	D	PACKAGE
JT-1P	5.0~6.0	$\phi 3.1$	2.2	1000



測試點 TEST PIN 14-2-4

- MATERIAL: PHOSPHOR BRONZE WIRE
- PLATING: GOLD
- PLASTIC MATERIAL: PBT
- COLOR: GOLD, YELLOW
- HOLE IN P.C.B.: $\phi 0.9 \sim \phi 1.0$

PART NO	A	C	D	PACKAGE
JT-1Q	3.6~4.0	$\phi 3.1$	3.3	1000

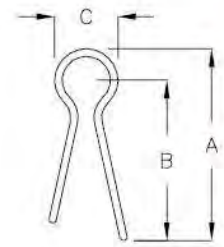




測試點 TEST PIN

14-3-1

- MATERIAL: PHOSPHOR BRONZE WIRE
- PLATING: GOLD
- COLOR: GOLD
- HOLE IN P.C.B.: $\phi 0.9 \sim \phi 1.0$



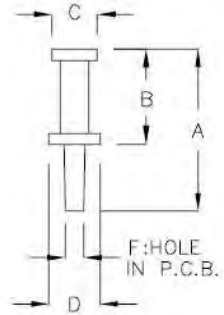
PART NO	A	B	C	PACKAGE
JT-1N	10.2	8.55	$\phi 3.3$	1000



測試點 TEST PIN

14-3-2

- MATERIAL: BRASS
- PLATING: GOLD
- COLOR: GOLD



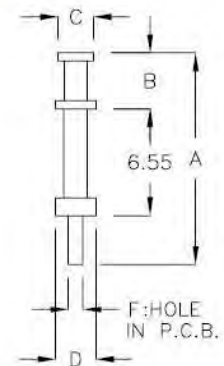
PART NO	A	B	C	D	F	PACKAGE
JT-8	7.9	4.7	$\phi 2.2$	$\phi 2.5$	$\phi 1.0$	1000



測試點 TEST PIN

14-3-3

- MATERIAL: BRASS
- PLATING: GOLD
- COLOR: GOLD



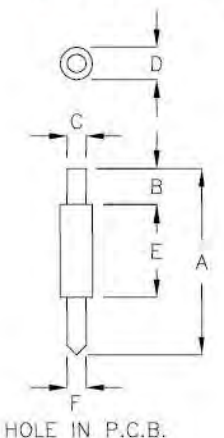
PART NO	A	B	C	D	F	PACKAGE
JT-13	13.0	3.45	$\phi 2.2$	$\phi 2.5$	$\phi 0.9$	1000



測試點 TEST PIN

14-3-4

- MATERIAL: BRASS
- PLATING: TIN



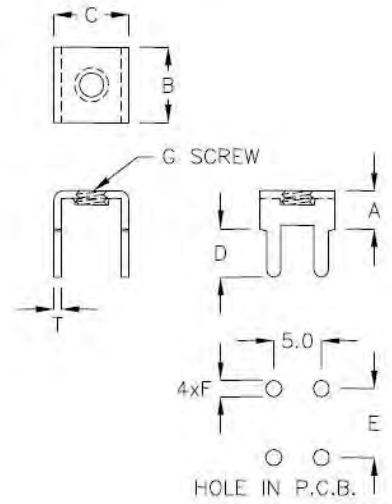
PART NO	A	B	C	D	E	F HOLE IN P.C.B.	PACKAGE
JT-08D	8.5	2.0	$\phi 1.0$	$\phi 1.8$	2.0	$\phi 1.05$	1000
JT-9A	9.5	1.0	$\phi 1.0$	$\phi 1.8$	5.0	$\phi 1.05$	
★ JT-9DM	9.0	2.5	$\phi 2.0$	$\phi 2.8$	2.0	$\phi 2.05$	
JT-10	10.0	2.0	$\phi 1.04$	$\phi 1.8$	4.5	$\phi 1.05$	



端子 CONNECTOR

14-4-1

- MATERIAL: BRASS
- PLATING: TIN



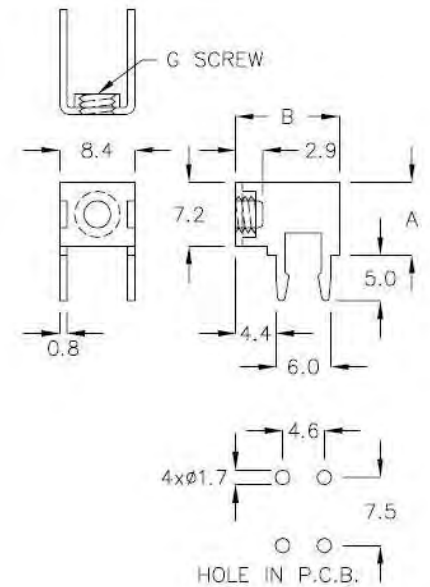
PART NO	A	B	C	D	E	F	G SCREW	T	PACKAGE
JH-4A	4.0	7.9	7.9	2.5	7.2	∅1.75	M3	0.8	500
JH-4	4.0	7.9	7.9	5.0	7.2	∅1.75	M3	0.8	
JH-4L	8.5	9.2	11.2	4.0	10.1	∅1.8	M4	1.0	200
JH-04K	8.5	9.0	11.1	4.0	10.15	∅1.8	M5	1.0	
JH-5	5.0	9.2	11.2	4.0	10.15	∅1.85	M4	1.0	500



端子 CONNECTOR

14-4-2

- MATERIAL: BRASS
- PLATING: TIN
- C: SCREW



PART NO	A	B	G SCREW	PACKAGE
JH-8	8.0	11.4	M4	500
JH-8M3	8.0	11.4	M3	

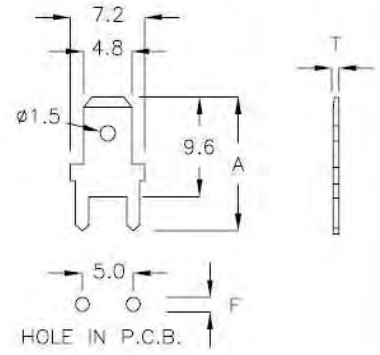
TO BE USED WITH P.G. PART P-2 (Page 14-2-1)



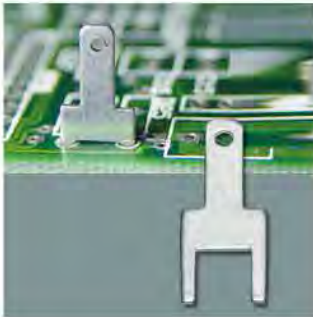
端子 CONNECTOR

14-5-1

- MATERIAL: BRASS
- PLATING: TIN



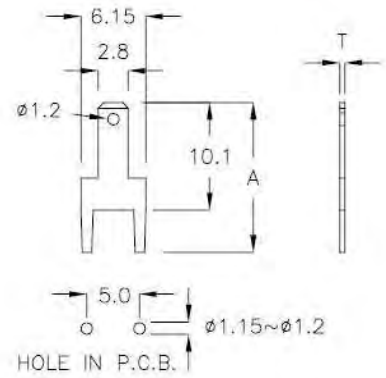
PART NO	A	F	T	PACKAGE
JP-13	13.1	∅1.35	0.5	2000
JP-13T	13.1	∅1.4	0.8	



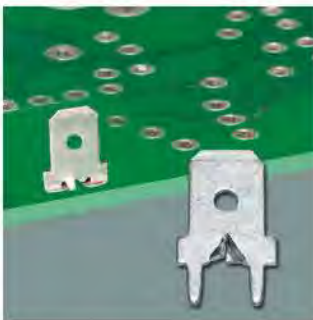
端子 CONNECTOR

14-5-2

- MATERIAL: BRASS
- PLATING: TIN



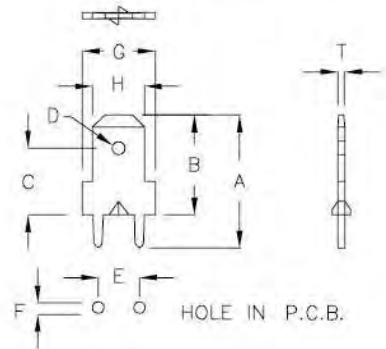
PART NO	A	T	PACKAGE
JP-14A	14.1	0.5	2000



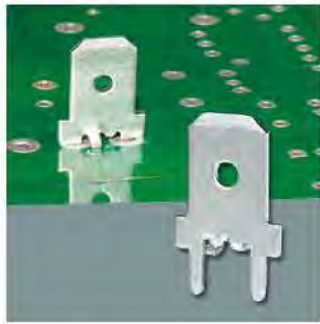
端子 CONNECTOR

14-5-3

- MATERIAL: BRASS
- PLATING: TIN



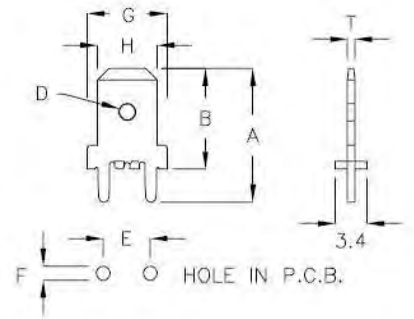
PART NO	A	B	C	D	E	F	G	H	T	PACKAGE
JP-14B	13.7	10.2	5.4	∅1.7	5.0	∅1.48	8.2	6.3	0.8	2000
JP-14C	14.1	10.7	6.0	∅1.8	5.0	∅1.43	8.6	6.3	0.8	
JP-16B	16.2	12.2	8.0	∅1.6	5.0	∅1.38	8.8	6.3	0.8	



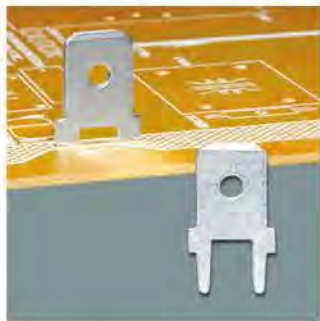
端子 CONNECTOR

14-6-1

- MATERIAL: BRASS
- PLATING: TIN



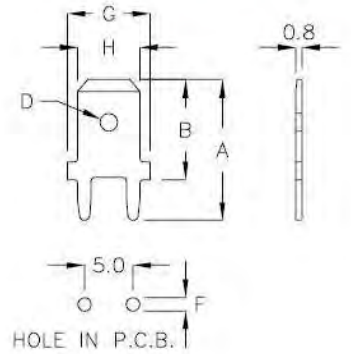
PART NO	A	B	D	E	F	G	H	T	PACKAGE
JP-14P	14.1	10.6	∅1.8	5.0	∅1.5	8.5	6.4	0.8	1000



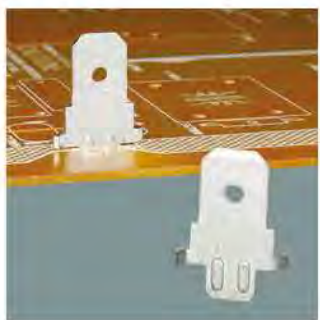
端子 CONNECTOR

14-6-2

- MATERIAL: BRASS
- PLATING: TIN



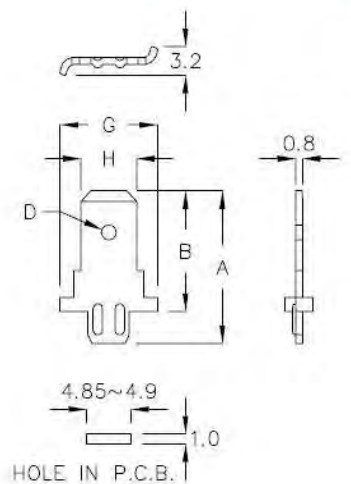
PART NO	A	B	D	F	G	H	PACKAGE
JP-14	14.0	10.2	∅2.0	∅1.35~∅1.4	8.0	6.4	2000
JP-16A	16.3	12.3	∅1.6	∅1.7	9.0	6.5	
JP-18	18.0	13.6	∅1.5	∅1.65~∅1.7	8.1	6.3	



端子 CONNECTOR

14-6-3

- MATERIAL: BRASS
- PLATING: TIN

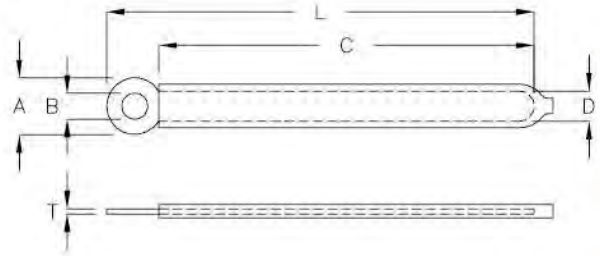


PART NO	A	B	D	G	H	PACKAGE
JP-16D	16.35	12.75	∅1.7	11.1	6.4	2000



電線固定片 LOCKING CABLE CLIP ———— 14-7-1

- MATERIAL: SPTE+HEAT SHRINKING TUBE
or SECC+ HEAT SHRINKING TUBE
- COLOR: BLACK

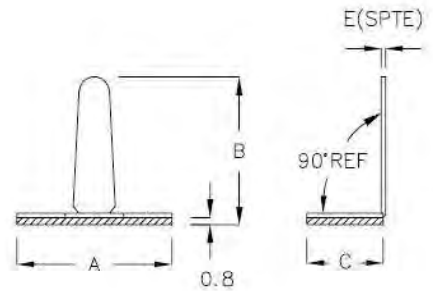


PART NO	A	B	C	D	L	T	PACKAGE
WC-1A	7.6	3.1	27.5	1.6	35.6	0.3	1000
WC-1AM	5.6	2.8	30.1	1.7	35.6	0.6	
WC-1AL	7.6	3.1	27.5	1.6	35.6	0.6	
WC-1	8.0	3.4	33.5	4.0	41.0	0.3	
WC-2	8.0	3.4	48.2	4.0	55.8	0.3	
WC-2A	8.0	3.4	52.5	3.0	60.0	0.3	
WC-2L	8.0	3.2	46.5	6.0	54.0	0.45	
WC-3	8.0	4.1	48.2	4.0	56.0	0.3	
WC-3L	8.0	4.1	78.5	4.0	86.0	0.5	
WC-6	8.0	3.4	52.3	3.0	60.0	0.5	



電線固定片 LOCKING CABLE CLAMP ———— 14-7-2

- MATERIAL: SPTE
- ADHESIVE TAPE: 3M

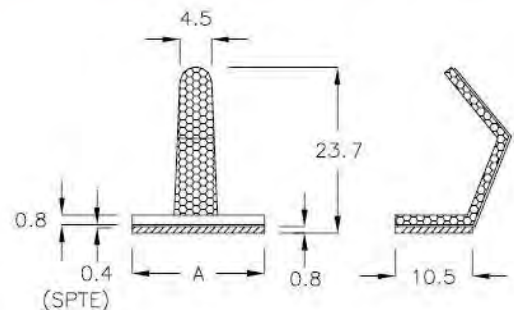


PART NO	A	B	C	E	PACKAGE
JFW-4L	15.1	14.3	7.7	0.4	500



電線固定片 LOCKING CABLE CLAMP ———— 14-7-3

- MATERIAL: SPTE+SPONGE
- ADHESIVE TAPE: 3M



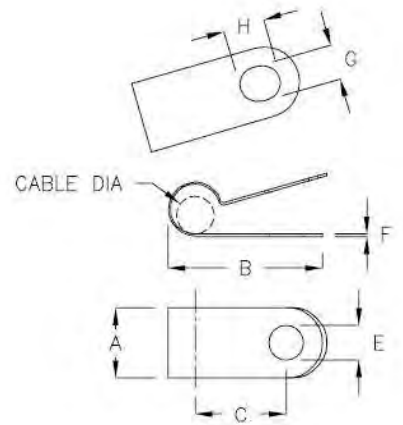
PART NO	A	PACKAGE
JFW-7	18.5	500



接地線夾 GROUNDING CABLE CLAMP ———— 14-8-1

• MATERIAL: SPTE

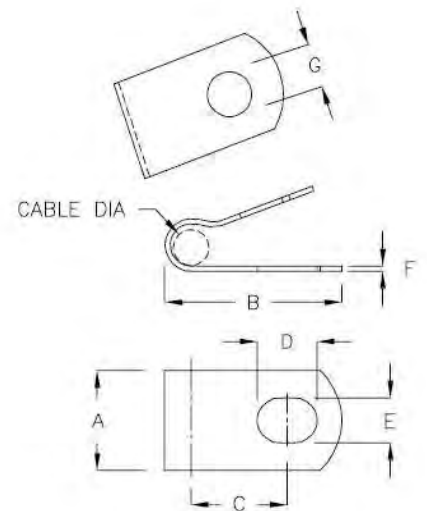
PART NO	A	B	C	E	F	G	H	CABLE DIA	PACKAGE
FN-008	8.5	14.3	8.5	∅4.2	0.3	∅4.2	5.0	∅2.5	500
FN-010	8.6	19.6	11.3	∅4.2	0.6	∅4.2	5.0	∅5.8	
FN-011	8.5	18.7	11.0	∅4.2	0.3	∅4.2	5.0	∅4.8	



接地線夾 GROUNDING CABLE CLAMP ———— 14-8-2

• MATERIAL: SPCC (FN-005, FN-007)
 • MATERIAL: STEEL (FN-017)
 • PLATING: NICKEL

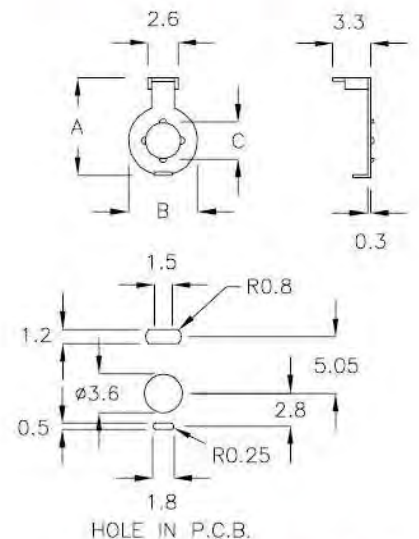
PART NO	A	B	C	D	E	F	G	CABLE DIA	PACKAGE
FN-005	10.1	18.4	10.25	6.0	∅4.5	0.5	∅4.4	∅3.0~∅2.8	500
FN-007	9.8	18.5	10.0	6.0	∅4.5	0.5	∅4.4	∅3.7~∅3.9	
FN-017	8.6	19.8	11.0	6.0	∅4.5	0.3	∅4.5	∅6.4	



接地端子 GROUNDING CONNECTOR ———— 14-8-3

• MATERIAL: PHOSPHOR BRONZE
 • PLATING: TIN

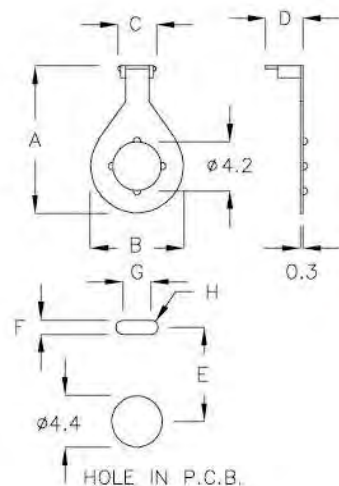
PART NO	A	B	C	PACKAGE
JG-6L	8.5	∅5.9	∅3.1	2000
JG-06A	8.5	∅5.9	∅3.6	





接地端子 GROUNDING CONNECTOR ——— | 14-9-1 |

- MATERIAL: BRASS
- PLATING: TIN

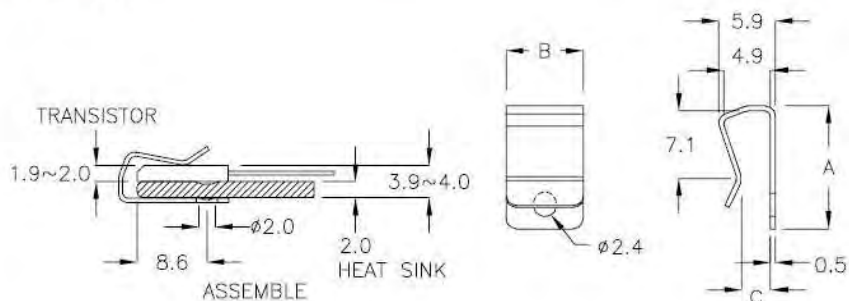


PART NO	A	B	C	D	E	F	G	H	PACKAGE
JG-10	12.5	∅8.0	3.3	3.5	8.0	1.2	2.4	R0.6	2000



電晶體固定片 TRANSISTOR CLIP ——— | 14-9-2 |

- MATERIAL: SUS301

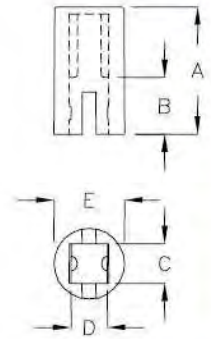


PART NO	A	B	C	PACKAGE
IRK-12H	12.7	8.0	3.0	1000



開關延長蓋 SWITCH EXTENDING COVER ——— | 13-41-1 |

• COLOR: NATURAL, BLACK

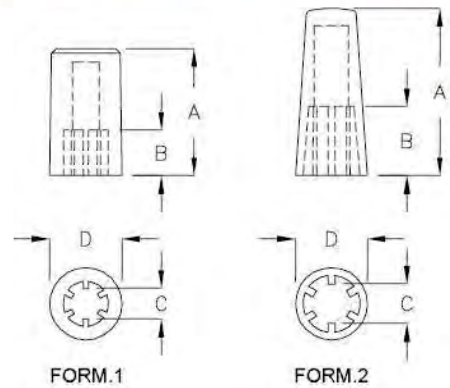


PART NO	MATERIAL	A	B	C	D	E	PACKAGE
HS-09C	ABS V0	9.0	4.0	2.8	2.6	ø5.0	2000
HS-09D	N66 V2	9.0	3.0	2.5	2.15	ø4.6	



開關延長蓋 SWITCH EXTENDING COVER ——— | 13-41-2 |

• COLOR: NATURAL, BLACK

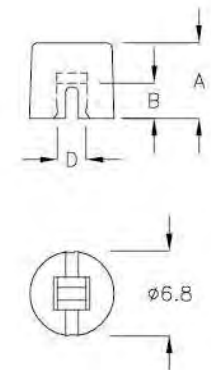


PART NO	MATERIAL	A	B	D	E	FORM	PACKAGE
HS-10C	ABS HB	9.9	4.2	ø3.2	ø8.0	1	1000
HS-12A	ABS HB	12.0	4.2	ø3.3	ø8.0	1	
HS-14A	ABS HB	14.0	4.2	ø3.4	ø8.0	1	
HS-16FA	N66 V2	16.5	7.0	ø3.45	ø6.3	2	
HS-18	N66 V2	18.0	7.0	ø3.45	ø6.3	2	



開關延長蓋 SWITCH EXTENDING COVER ——— | 13-41-3 |

• MATERIAL: NYLON 66(UL)
 • FLAME CLASS: 94V-2
 • COLOR: NATURAL, BLACK

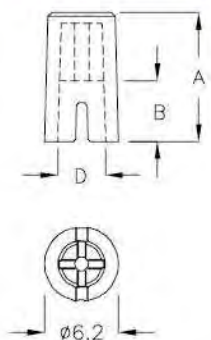


PART NO	A	B	D	PACKAGE
HS-6F	6.0	2.8	2.3	2000
HS-6M	6.5	2.8	2.4	
HS-7K	7.5	2.8	2.4	
HS-8HY	8.0	2.8	2.4	
HS-8MA	8.5	2.8	2.4	



開關延長蓋 SWITCH EXTENDING COVER ——— | 13-41-4 |

• MATERIAL: ABS
 • FLAME CLASS: 94HB
 • COLOR: BLACK



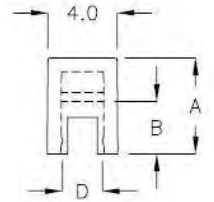
PART NO	A	B	D	PACKAGE
HS-15	9.9	4.55	ø3.7	1000



開關延長蓋 SWITCH EXTENDING COVER ——— | 13-42-1 |

- MATERIAL: ABS
- FLAME CLASS: 94HB
- COLOR: WHITE, NATURAL

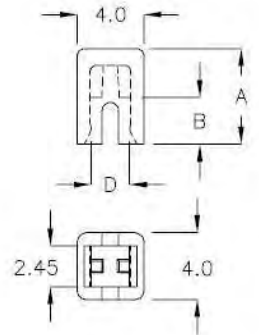
PART NO	A	B	D	PACKAGE
HS-16	5.5	3.0	2.28	2000



開關延長蓋 SWITCH EXTENDING COVER ——— | 13-42-2 |

- MATERIAL: ABS
- FLAME CLASS: 94HB
- COLOR: NATURAL

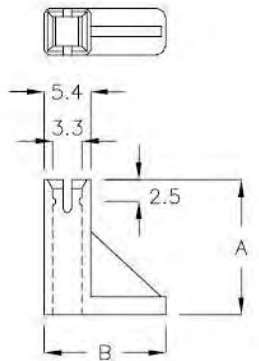
PART NO	A	B	D	PACKAGE
HSM-5K	5.7	2.8	2.3	2000



開關延長蓋 SWITCH EXTENDING COVER ——— | 13-42-3 |

- MATERIAL: NYLON 66(UL)
- FLAME CLASS: 94V-2
- COLOR: NATURAL

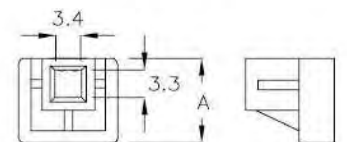
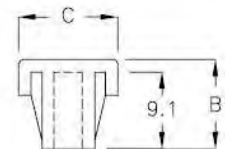
PART NO	A	B	PACKAGE
HS-05S	11.8	14.2	1000
HS-5	15.8	14.2	



開關延長蓋 SWITCH EXTENDING COVER ——— | 13-42-4 |

- MATERIAL: ABS
- FLAME CLASS: 94V-0
- COLOR: GRAY

PART NO	A	B	C	PACKAGE
HS-6	10.2	10.8	12.0	500

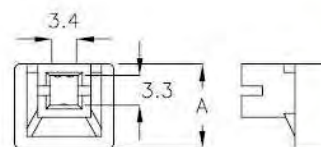
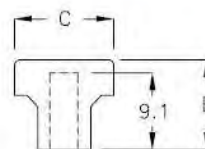




開關延長蓋 SWITCH EXTENDING COVER — 13-43-1

- MATERIAL: ABS
- FLAME CLASS: 94V-0
- COLOR: GRAY

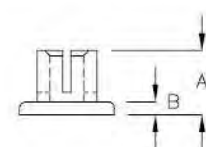
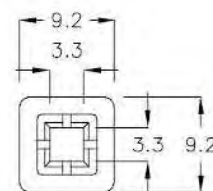
PART NO	A	B	C	PACKAGE
HS-06A	10.3	10.8	12.2	500



開關延長蓋 SWITCH EXTENDING COVER — 13-43-2

- MATERIAL: NYLON 66(UL)
- FLAME CLASS: 94V-2
- COLOR: NATURAL

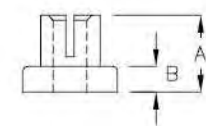
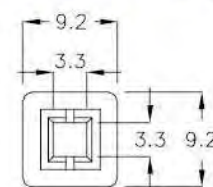
PART NO	A	B	PACKAGE
HS-007	6.3	1.2	1000



開關延長蓋 SWITCH EXTENDING COVER — 13-43-3

- MATERIAL: NYLON 66(UL)
- FLAME CLASS: 94V-2
- COLOR: BLACK

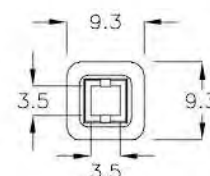
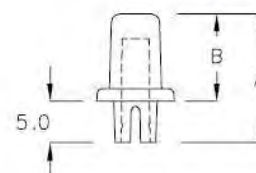
PART NO	A	B	PACKAGE
HS-07A	9.5	2.5	1000



開關延長蓋 SWITCH EXTENDING COVER — 13-43-4

- MATERIAL: NYLON 66(UL)
- FLAME CLASS: 94V-2
- COLOR: BLACK

PART NO	A	B	PACKAGE
HS-04	15.5	10.5	1000

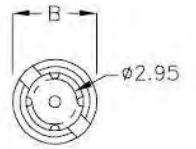
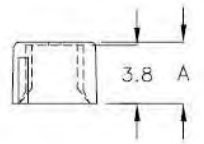




開關延長蓋 SWITCH EXTENDING COVER — 13-44-1

- MATERIAL: NYLON 66(UL)
- FLAME CLASS: 94V-2
- COLOR: NATURAL, BLACK

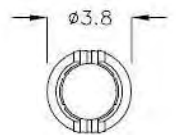
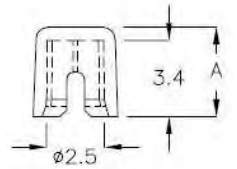
PART NO	A	B	PACKAGE
HS-008	4.0	∅5.5	2000
HS-012	6.3	∅5.5	



開關延長蓋 SWITCH EXTENDING COVER — 13-44-2

- MATERIAL: NYLON 66(UL)
- FLAME CLASS: 94V-2
- COLOR: BLACK

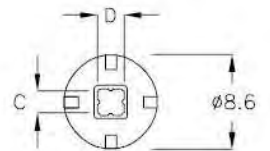
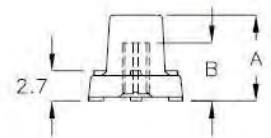
PART NO	A	PACKAGE
HS-4CF	4.0	2000



開關延長蓋 SWITCH EXTENDING COVER — 13-44-3

- MATERIAL: ABS+PC(UL)
- FLAME CLASS: 94V-0
- COLOR: BLACK

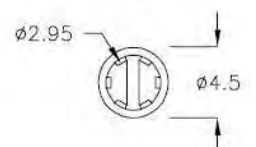
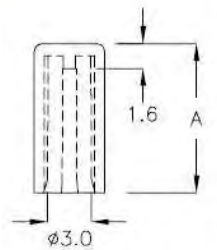
PART NO	A	B	C	D	PACKAGE
HSD-01	7.8	5.3	2.0	2.0	2000



開關延長蓋 SWITCH EXTENDING COVER — 13-44-4

- MATERIAL: NYLON 66(UL)
- FLAME CLASS: 94V-2
- COLOR: NATURAL, BLACK

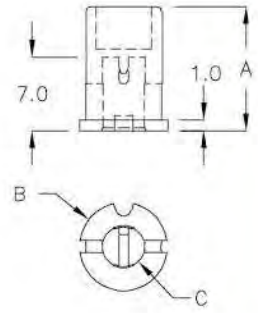
PART NO	A	PACKAGE
DAH-9H	9.5	1000





開關延長蓋 SWITCH EXTENDING COVER ———— 13-45-1

- MATERIAL: NYLON 66(UL)
- FLAME CLASS: 94V-2
- COLOR: BLACK

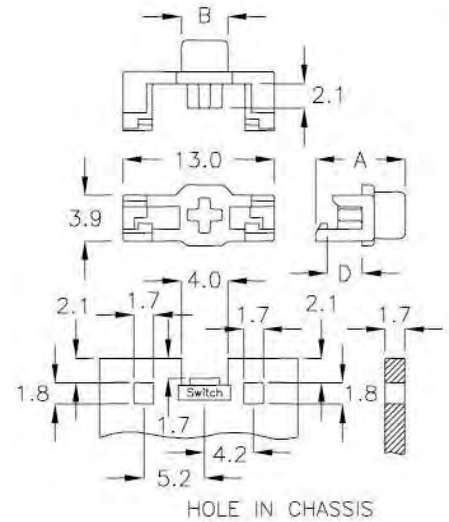


PART NO	A	B	C	PACKAGE
HSL-11A	11.8	∅8.5	∅4.1	1000
HSL-11SP	11.8	∅7.5	∅3.3	



開關延長蓋 SWITCH EXTENDING COVER ———— 13-45-2

- MATERIAL: NYLON 66(UL)
- FLAME CLASS: 94V-0
- COLOR: BLACK

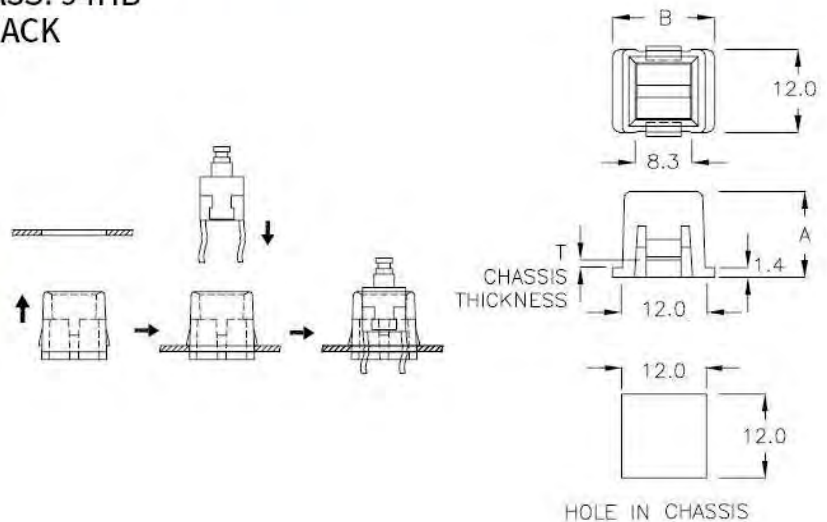


PART NO	A	B	D	PACKAGE
HSW-13FH	7.7	∅4.0	3.0	1000



開關座 PUSH SWITCH HOLDER ———— 13-45-3

- MATERIAL: ABS
- FLAME CLASS: 94HB
- COLOR: BLACK



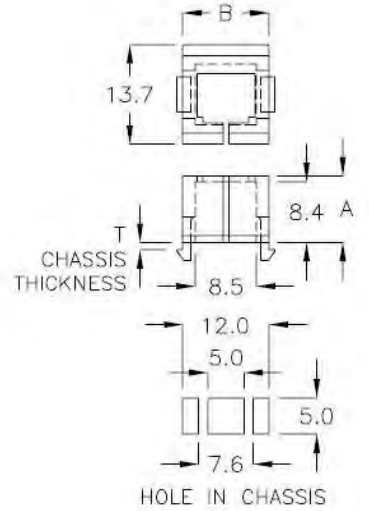
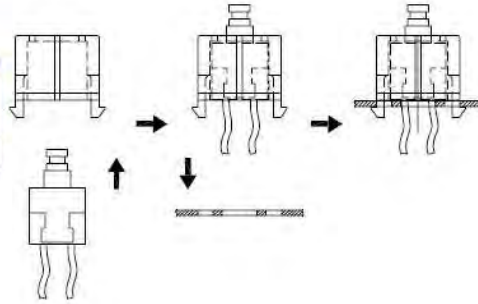
PART NO	A	B	T CHASSIS THICKNESS	PACKAGE
HS-08A	12.4	14.8	0.8	1000



開關座 PUSH SWITCH HOLDER ————— | 13-46-1 |

- MATERIAL: NYLON 66(UL)
- FLAME CLASS: 94V-2
- COLOR: BLACK

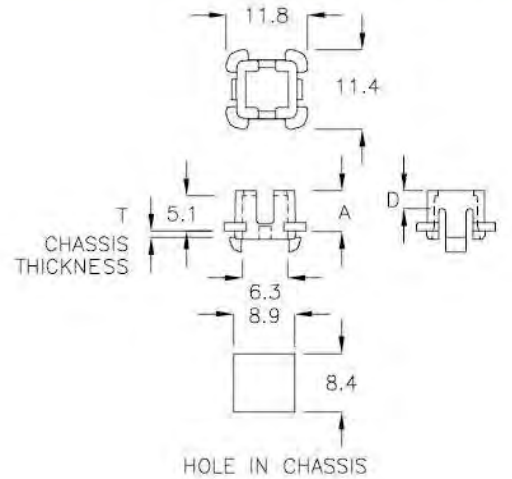
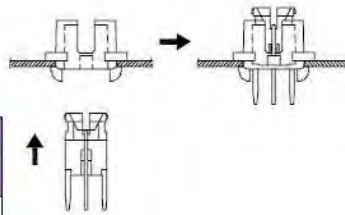
PART NO	A	B	T CHASSIS THICKNESS	PACKAGE
HS-11	9.2	11.95	0.8	500



開關座 SWITCH HOLDER ————— | 13-46-2 |

- MATERIAL: NYLON 66(UL)
- FLAME CLASS: 94V-2
- COLOR: BLACK

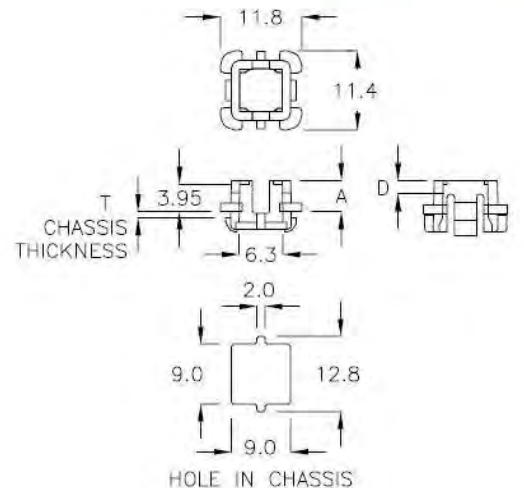
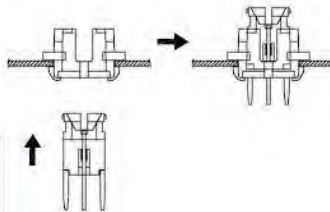
PART NO	A	D	T CHASSIS THICKNESS	PACKAGE
HSF-01	5.8	2.5	0.8	1000

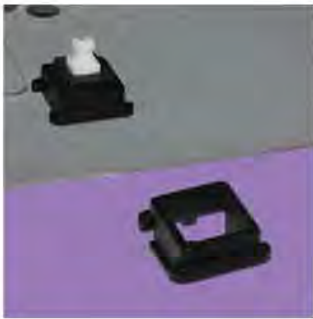


開關座 SWITCH HOLDER ————— | 13-46-3 |

- MATERIAL: NYLON 66(UL)
- FLAME CLASS: 94V-2
- COLOR: BLACK

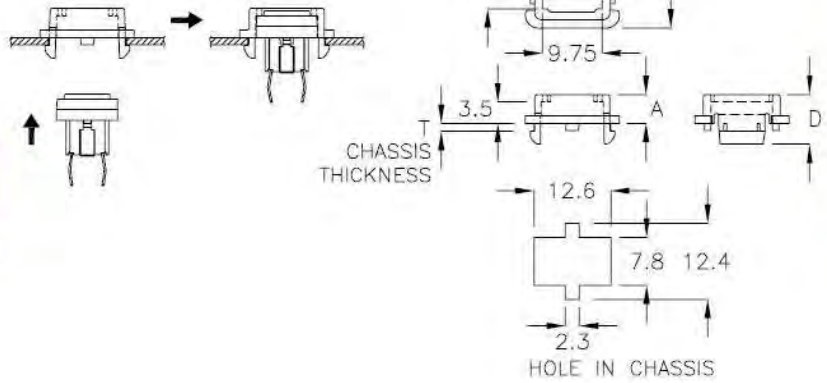
PART NO	A	D	T CHASSIS THICKNESS	PACKAGE
HSF-02	4.5	1.8	0.8	1000
HSF-2KD	4.5	1.8	0.6	





開關座 SWITCH HOLDER ———— | 13-47-1 |

- MATERIAL: NYLON 66(UL)
- FLAME CLASS: 94V-0
- COLOR: BLACK

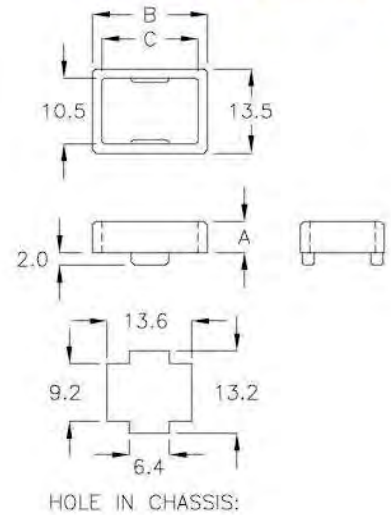


PART NO	A	D	T CHASSIS THICKNESS	PACKAGE
HSF-4WR	4.7	8.05	1.2	1000



電源開關座 SWITCH COVER ———— | 13-47-2 |

- MATERIAL: NYLON 66(UL)
- FLAME CLASS: 94V-2
- COLOR: BLACK

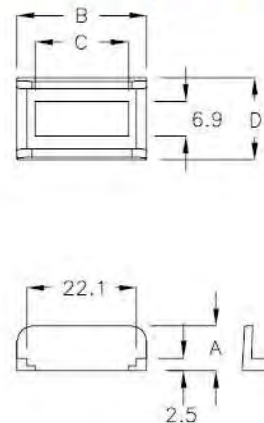


PART NO	A	B	C	PACKAGE
HCA-15D	5.0	18.5	15.5	500



電源開關座 SWITCH COVER ———— | 13-47-3 |

- MATERIAL: ABS
- COLOR: BLACK



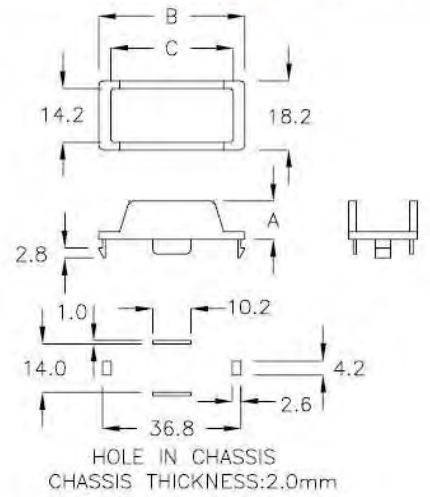
PART NO	A	B	C	D	PACKAGE
HCA-18	9.0	26.1	18.8	16.4	500



電源開關座 SWITCH COVER

13-48-1

- MATERIAL: NYLON 66(UL)
- FLAME CALSS: 94V-0
- COLOR: BLACK



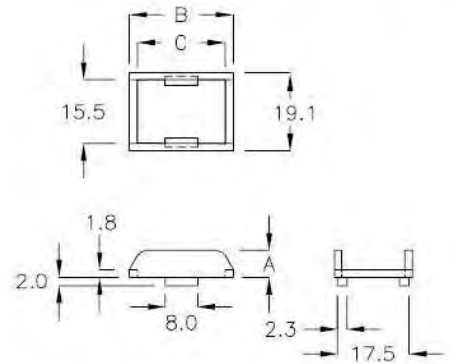
PART NO	A	B	C	PACKAGE
HCA-32	10.0	38.6	32.4	500



電源開關座 SWITCH COVER

13-48-2

- MATERIAL: NYLON 66(UL)
- FLAME CLASS: 94V-2
- COLOR: BLACK



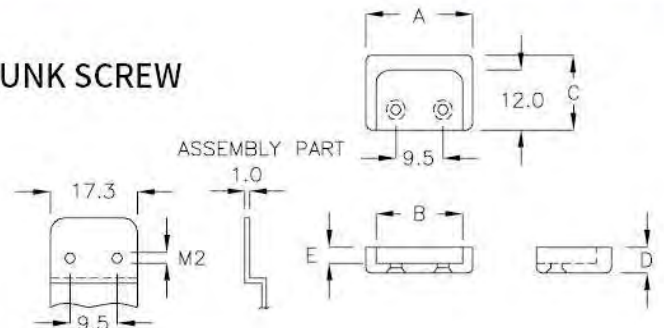
PART NO	A	B	C	PACKAGE
HCA-21K	6.5	25.5	21.5	500



把手蓋 EJECTOR COVER

13-48-3

- MATERIAL: ABS+PC
- COLOR: GREEN
- USE M2X6 COUNTERSUNK SCREW

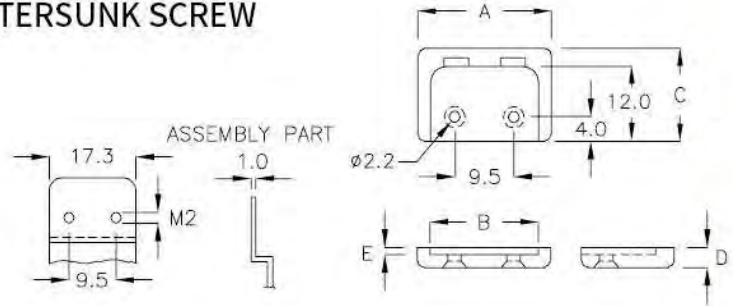


PART NO	A	B	C	D	E	PACKAGE
MHL-21	21.5	17.5	15.0	4.6	2.6	500



把手蓋 EJECTOR COVER | 13-49-1 |

- MATERIAL: ABS+PC
- COLOR: GREEN
- USE M2x6 COUNTERSUNK SCREW

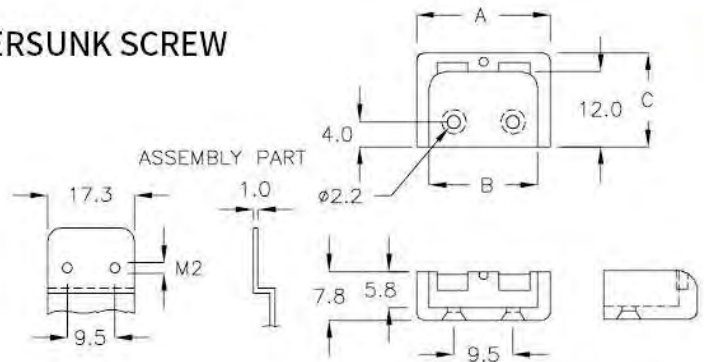


PART NO	A	B	C	D	E	PACKAGE
MHL-03	21.5	17.5	15.0	7.8	5.8	500
MHL-14	21.5	17.5	15.0	3.2	1.2	



把手蓋 EJECTOR COVER | 13-49-2 |

- MATERIAL: ABS+PC
- COLOR: GREEN
- USE M2x6 COUNTERSUNK SCREW

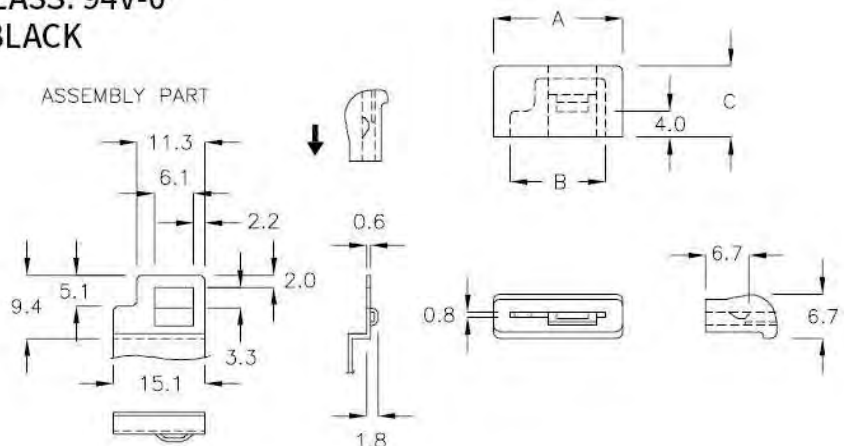


PART NO	A	B	C	PACKAGE
MHL-20	21.5	17.5	15.0	500



把手蓋 EJECTOR COVER | 13-49-3 |

- MATERIAL: TPR
- FLAME CLASS: 94V-0
- COLOR: BLACK

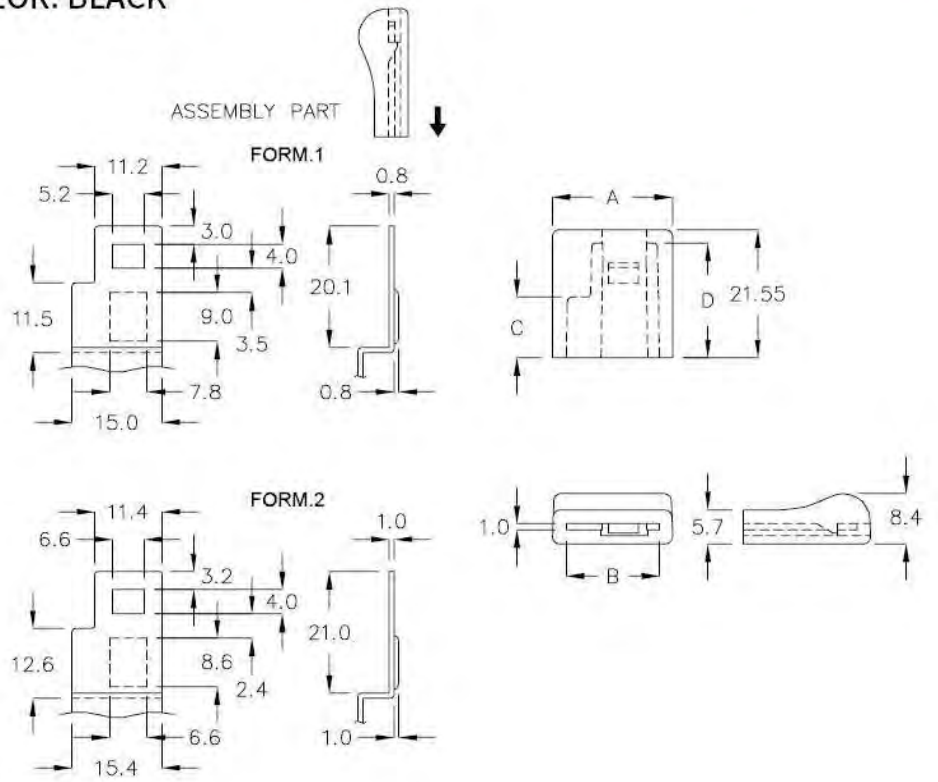


PART NO	A	B	C	PACKAGE
MHL-06	20.0	14.8	11.0	500



把手蓋 EJECTOR COVER 13-50-1

•COLOR: BLACK

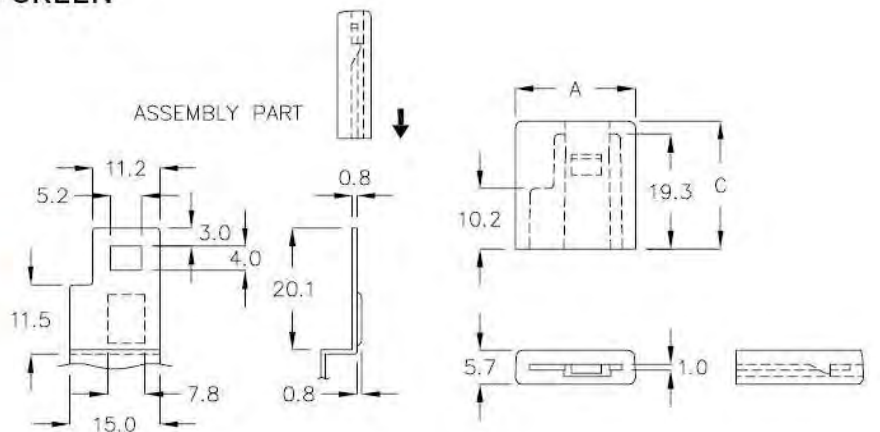


PART NO	MATERIAL	A	B	C	D	FORM	PACKAGE
MHL-05	TPR	20.35	15.75	10.16	19.3	1	500
MHL-5CN	TPR	20.4	15.8	10.16	19.3	2	
MHL-5DM	TPR	20.35	15.4	10.16	19.3	1	
MHL-5FG	TPE	20.34	15.75	10.6	20.5	2	



把手蓋 EJECTOR COVER 13-50-2

•MATERIAL: TPR
•COLOR: GREEN

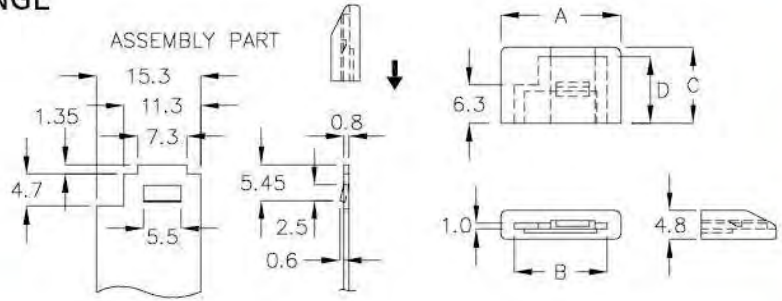


PART NO	A	B	C	PACKAGE
MHL-08	20.3	15.75	21.6	500

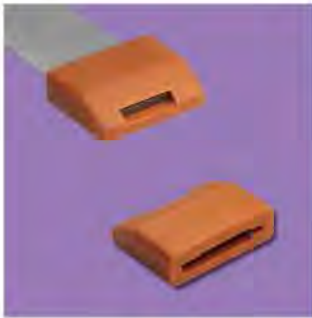


把手蓋 EJECTOR COVER | 13-51-1 |

- MATERIAL: TPR
- COLOR: ORANGE

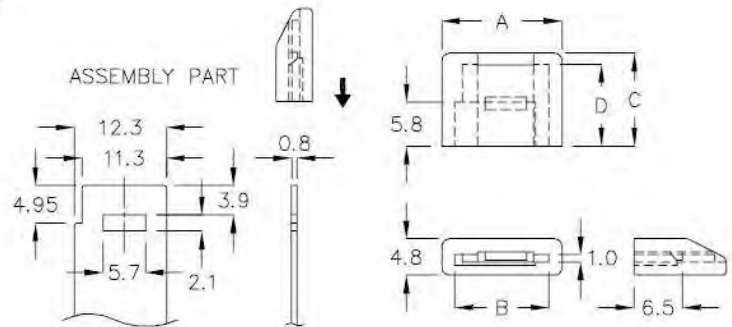


PART NO	A	B	C	D	PACKAGE
MHL-15	20.0	15.5	12.5	11.0	500



把手蓋 EJECTOR COVER | 13-51-2 |

- MATERIAL: TPE
- COLOR: ORANGE

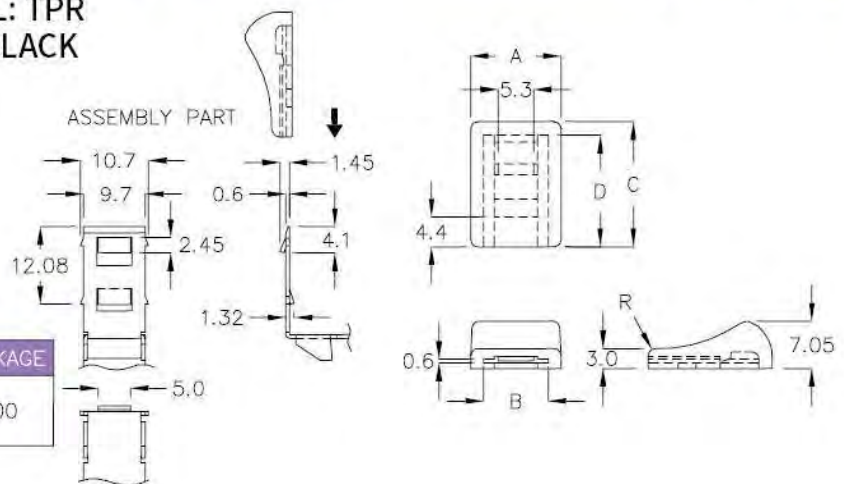


PART NO	A	B	C	D	PACKAGE
MHL-16KM	16.0	12.5	12.3	10.8	500



把手蓋 EJECTOR COVER | 13-51-3 |

- MATERIAL: TPR
- COLOR: BLACK



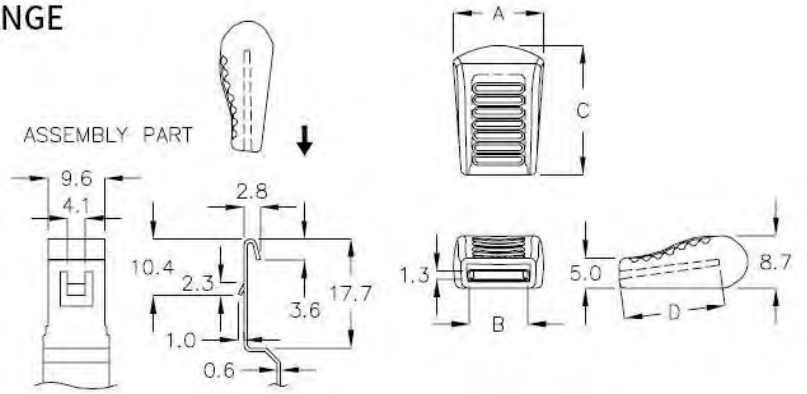
PART NO	A	B	C	D	R	PACKAGE
MHL-04	13.5	9.7	18.6	16.6	1.0	500
MHL-04TC	13.5	9.7	18.6	16.6	0.5	



把手蓋 EJECTOR COVER 13-52-1

- MATERIAL: TPR
- COLOR: ORANGE

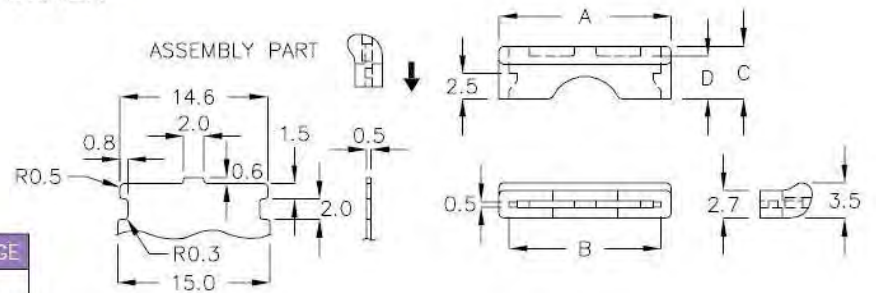
PART NO	A	B	C	D	PACKAGE
MHL-10	15.0	9.9	21.7	17.1	500



把手蓋 EJECTOR COVER 13-52-2

- MATERIAL: TPE
- COLOR: BLACK

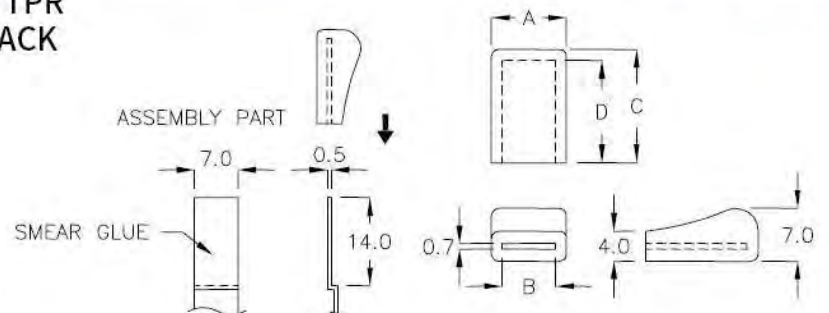
PART NO	A	B	C	D	PACKAGE
MHL-15AP	17.0	15.0	5.15	4.2	500



把手蓋 EJECTOR COVER 13-52-3

- MATERIAL: TPR
- COLOR: BLACK

PART NO	A	B	C	D	PACKAGE
MHL-11	10.0	7.1	15.0	13.5	2000

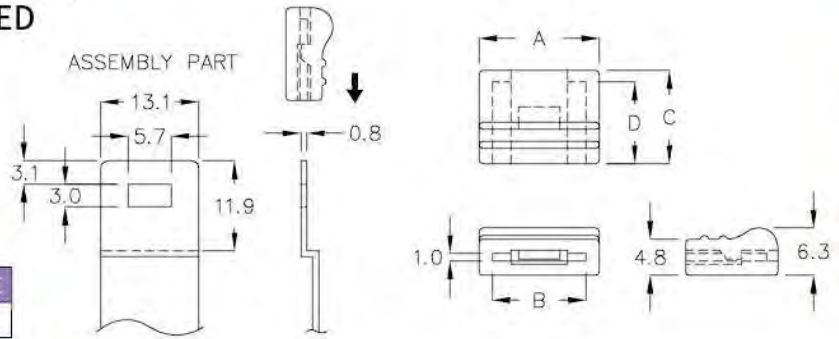




把手蓋 EJECTOR COVER

13-53-1

- MATERIAL: TPE
- COLOR: RED



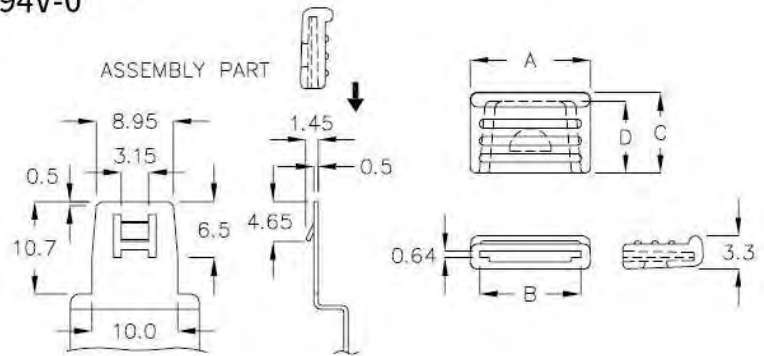
PART NO	A	B	C	D	PACKAGE
MHL-12DC	16.0	12.5	12.3	10.8	500



把手蓋 EJECTOR COVER

13-53-2

- MATERIAL: ABS+PC(UL)
- FLAME CLASS: 94V-0
- COLOR: BLACK



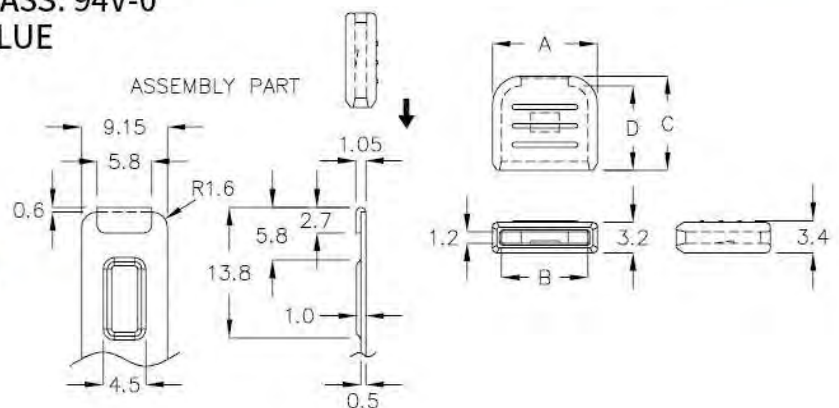
PART NO	A	B	C	D	PACKAGE
MHL-8QM	12.0	9.94	8.0	7.1	500



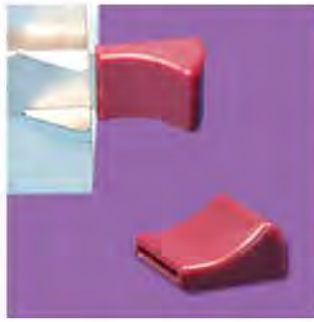
把手蓋 EJECTOR COVER

13-53-3

- MATERIAL: ABS+PC(UL)
- FLAME CLASS: 94V-0
- COLOR: BLUE



PART NO	A	B	C	D	PACKAGE
MHL-11FT	11.2	9.2	10.0	9.0	1000

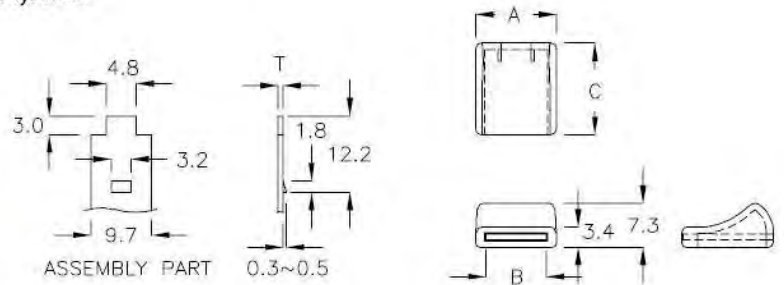


把手蓋 EJECTOR COVER

13-54-1

- MATERIAL: ABS+PC
- FLAME CLASS: 94V-0
- COLOR: BLACK,RED

PART NO	A	B	C	T	PACKAGE
MHL-15KD	13.5	10.0	15.2	1.0	1000
MHL-19	13.5	10.0	15.2	0.8	

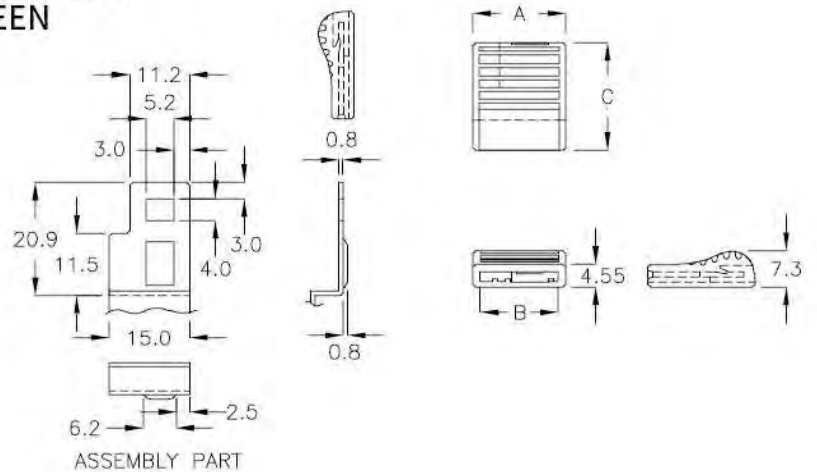


把手蓋 EJECTOR COVER

13-54-2

- MATERIAL: ABS+PC
- FLAME CLASS: 94V-0
- COLOR: GREEN

PART NO	A	B	C	PACKAGE
MHL-23	18.7	16.2	21.5	500

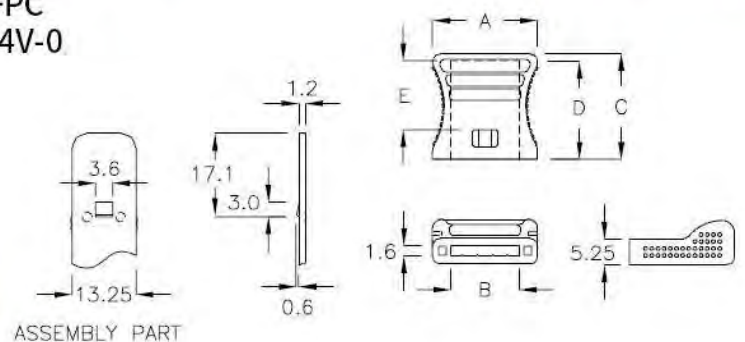


把手蓋 EJECTOR COVER

13-54-3

- MATERIAL: ABS+PC
- FLAME CLASS: 94V-0
- COLOR: GRAY

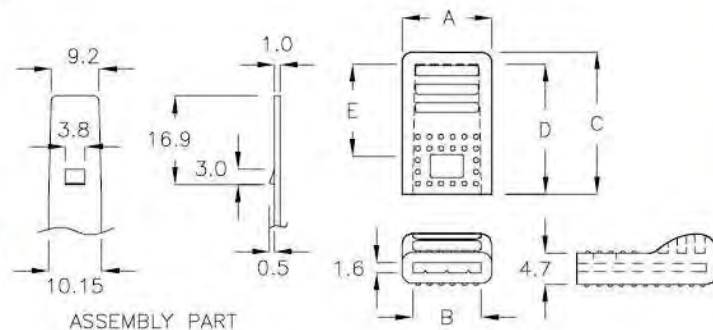
PART NO	A	B	C	D	E	PACKAGE
MHL-21FS	21.6	14.2	21.6	19.8	13.7	500





把手蓋 EJECTOR COVER 13-55-1

- MATERIAL: ABS+PC
- FLAME CLASS: 94V-0
- COLOR: BLACK

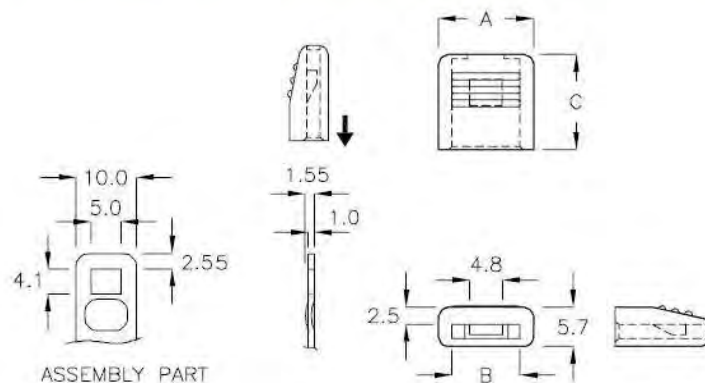


PART NO	A	B	C	D	E	PACKAGE
MHL-21KQ	13.7	10.45	21.6	19.7	13.6	500



把手蓋 EJECTOR COVER 13-55-2

- MATERIAL: TPE
- COLOR: BLACK

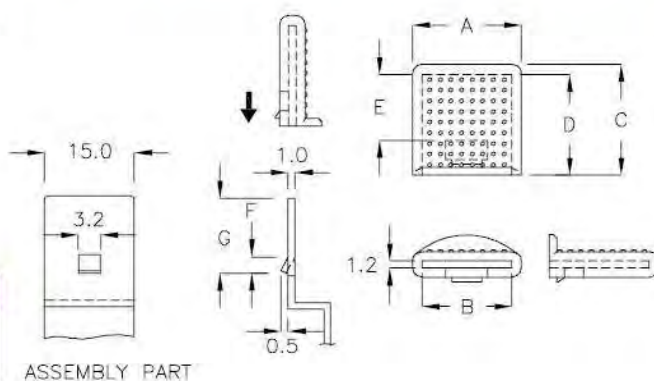


PART NO	A	B	C	PACKAGE
MHL-25	14.0	10.0	13.9	1000

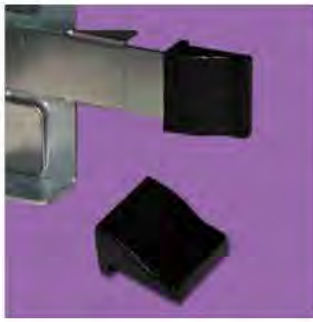


把手蓋 EJECTOR COVER 13-55-3

- MATERIAL: ABS+PC
- FLAME CLASS: 94V-0
- COLOR: BLACK

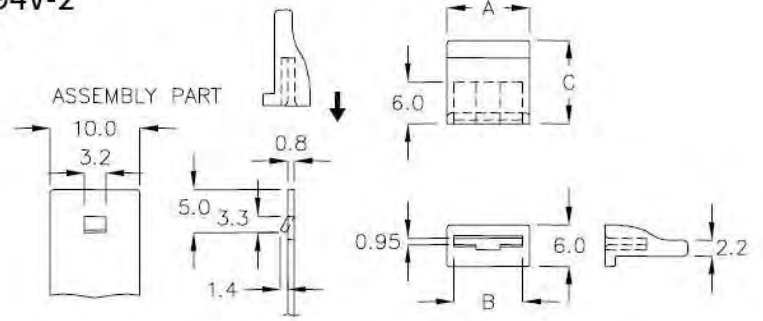


PART NO	A	B	C	D	E	F	G	PACKAGE
MHL-13	18.3	15.1	18.5	16.7	11.2	3.0	14.0	500
MHL-13A	18.3	15.2	18.5	17.2	10.9	3.3	14.5	



把手蓋 EJECTOR COVER | 13-56-1 |

- MATERIAL: NYLON 66(UL)
- FLAME CLASS: 94V-2
- COLOR: BLACK

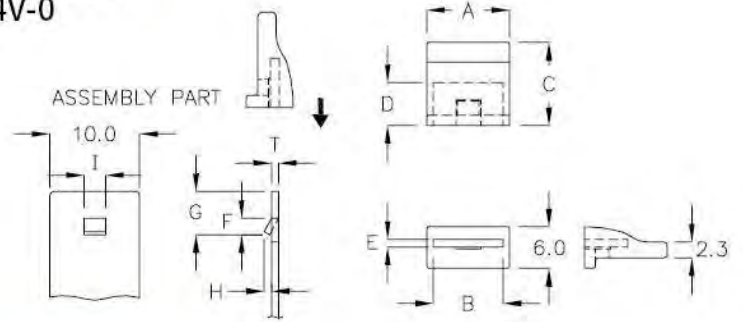


PART NO	A	B	C	PACKAGE
MHL-12	12.0	10.0	12.0	500



把手蓋 EJECTOR COVER | 13-56-2 |

- MATERIAL: NYLON 66(UL)
- FLAME CLASS: 94V-0
- COLOR: RED

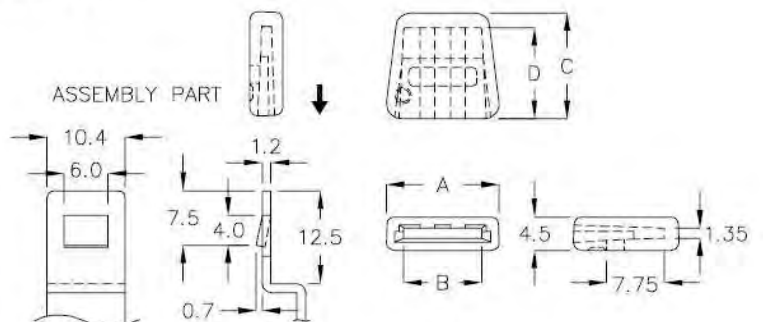


PART NO	A	B	C	D	E	F	G	H	I	T	PACKAGE
MHL-12DT	12.0	10.1	12.0	7.0	0.9	3.3	5.3	2.2	3.2	0.8	500
MHL-12KF	12.0	10.0	12.0	6.2	1.0	2.0	4.6	0.5	2.8	1.0	



把手蓋 EJECTOR COVER | 13-56-3 |

- MATERIAL: ABS+PC(UL)
- COLOR: GRAY



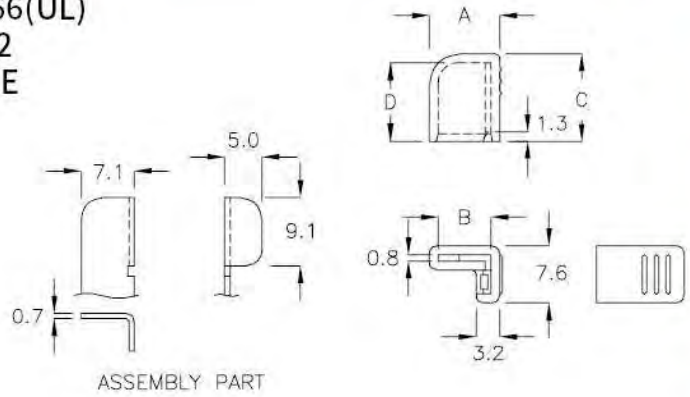
PART NO	A	B	C	D	PACKAGE
MHL-14ST	15.2	10.5	14.2	12.2	500



把手蓋 EJECTOR COVER | 13-57-1 |

- MATERIAL: NYLON 66(UL)
- FLAME CLASS: 94V-2
- COLOR: BLACK,BLUE

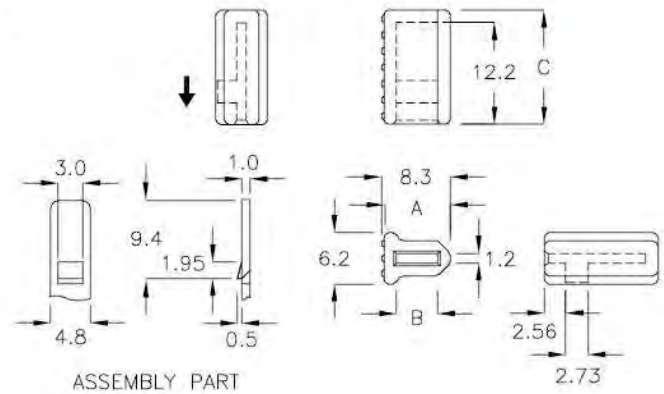
PART NO	A	B	C	D	PACKAGE
MHL-16	9.5	7.1	11.7	10.5	500



把手蓋 EJECTOR COVER | 13-57-2 |

- MATERIAL: ABS+PC
- FLAME CLASS: 94V-0
- COLOR: RED

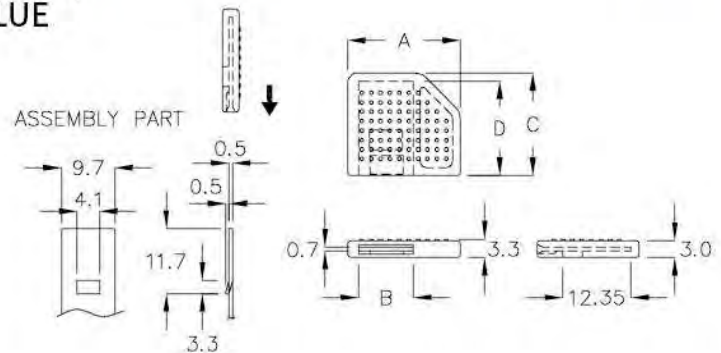
PART NO	A	B	C	PACKAGE
MHL-17	8.0	5.0	13.7	500



把手蓋 EJECTOR COVER | 13-57-3 |

- MATERIAL: ABS+PC(UL)
- COLOR: GREEN,BLUE

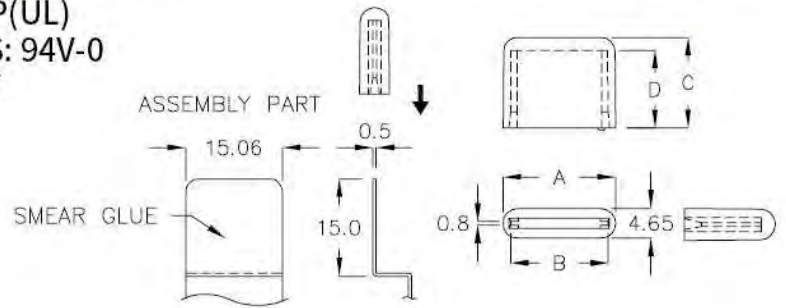
PART NO	A	B	C	D	PACKAGE
MHL-18FR	20.4	9.9	18.5	17.0	500





把手蓋 EJECTOR COVER 13-58-1

- MATERIAL: PP(UL)
- FLAME CLASS: 94V-0
- COLOR: GRAY

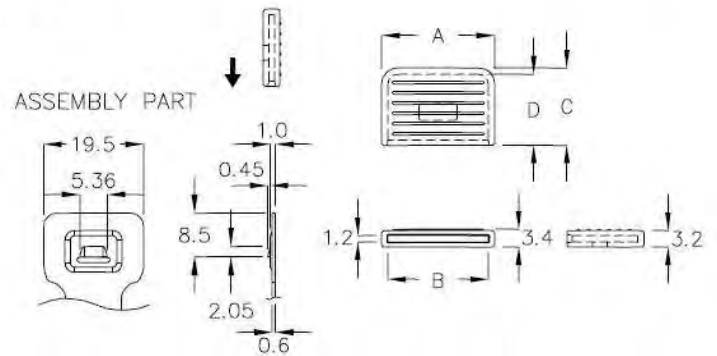


PART NO	A	B	C	D	PACKAGE
MHL-18	17.6	15.0	14.2	12.0	1000

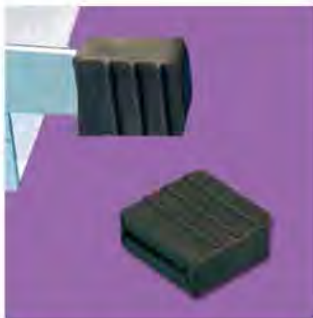


把手蓋 EJECTOR COVER 13-58-2

- MATERIAL: ABS+PC(UL)
- COLOR: BLUE

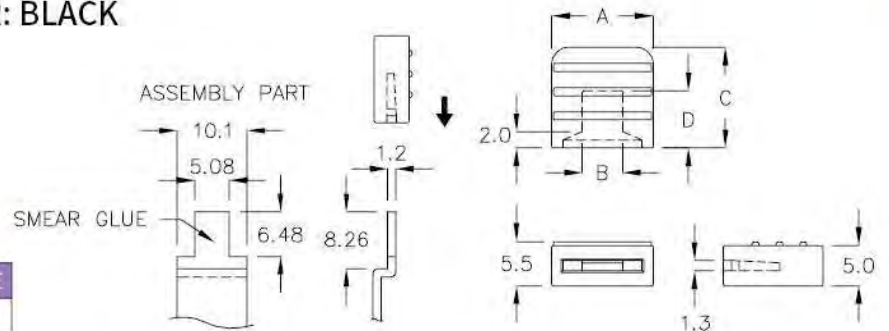


PART NO	A	B	C	D	PACKAGE
MHL-19TD	22.0	19.6	15.0	13.8	1000



把手蓋 EJECTOR COVER 13-58-3

- MATERIAL: TPR
- COLOR: BLACK



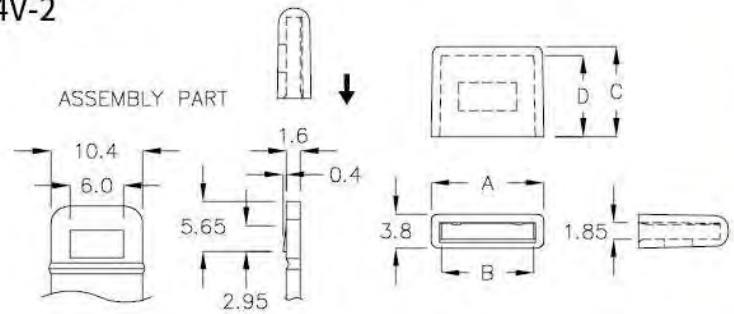
PART NO	A	B	C	D	PACKAGE
MHL-22	12.7	4.8	12.5	7.1	1000



把手蓋 EJECTOR COVER

13-59-1

- MATERIAL: NYLON 66(UL)
- FLAME CLASS: 94V-2
- COLOR: BLACK



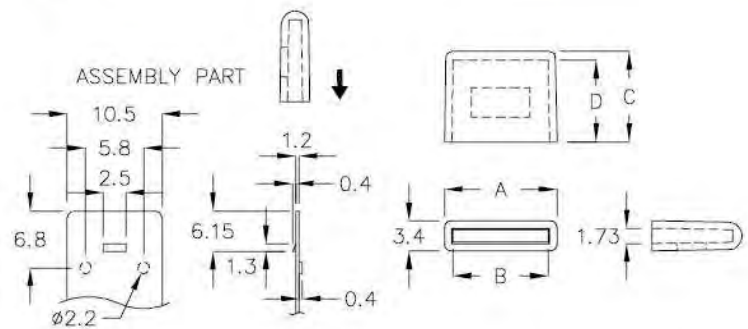
PART NO	A	B	C	D	PACKAGE
MHL-12YW	12.7	10.8	10.15	9.05	500



把手蓋 EJECTOR COVER

13-59-2

- MATERIAL: ABS+PC(UL)
- COLOR: RED



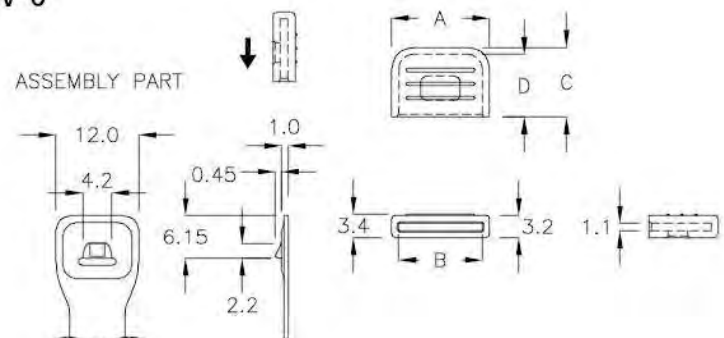
PART NO	A	B	C	D	PACKAGE
MHL-24	12.7	10.7	10.16	9.1	1000



把手蓋 EJECTOR COVER

13-59-3

- MATERIAL: ABS+PC
- FLAME CLASS: 94V-0
- COLOR: BLUE

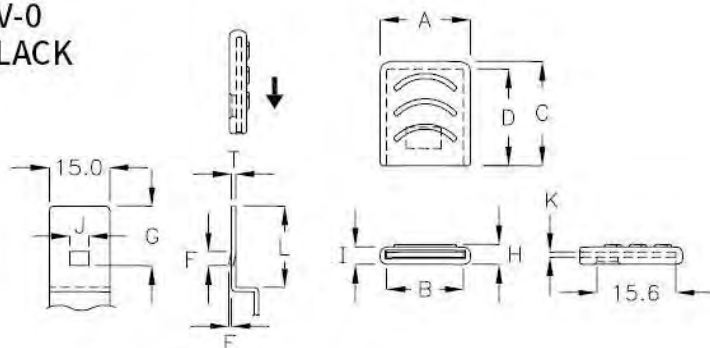


PART NO	A	B	C	D	PACKAGE
MHL-14JP	14.2	12.1	10.0	9.0	500



把手蓋 EJECTOR COVER 13-60-1

- MATERIAL: ABS+PC
- FLAME CLASS: 94V-0
- COLOR: GREEN, BLACK



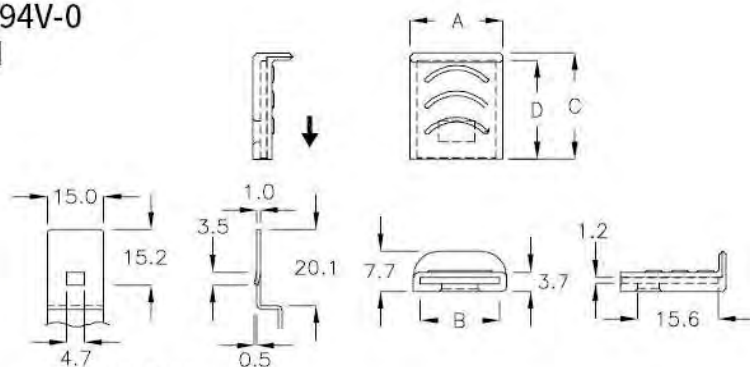
ASSEMBLY PART

PART NO	A	B	C	D	E	F	G	H	I	J	K	L	T	PACKAGE
MHL-24QM	18.0	15.3	20.5	19.0	0.5	3.5	15.2	4.0	3.7	4.7	1.2	20.1	1.0	500
MHL-24RK	18.0	15.3	20.5	19.0	0.5	3.4	15.4	4.5	4.0	4.1	1.0	20.3	0.8	
MHL-24SY	18.3	15.1	20.7	19.1	0.5	3.4	15.4	4.6	4.1	4.1	1.05	20.3	0.8	
MHL-24TL	18.0	15.3	20.5	19.0	0.7	3.6	15.6	4.7	4.2	3.5	1.2	20.0	1.0	



把手蓋 EJECTOR COVER 13-60-2

- MATERIAL: ABS+PC
- FLAME CLASS: 94V-0
- COLOR: GREEN



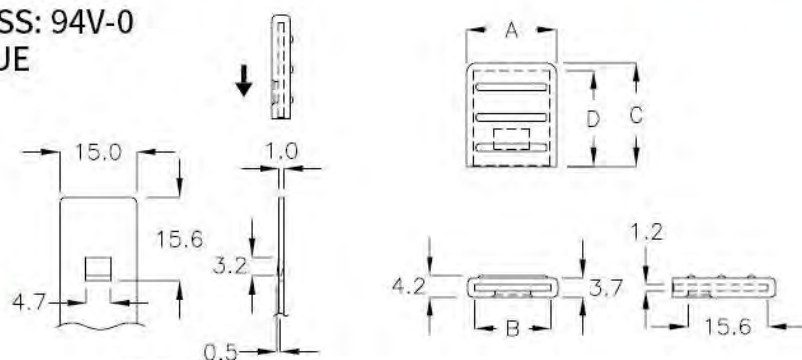
ASSEMBLY PART

PART NO	A	B	C	D	PACKAGE
MHL-18CL	18.0	15.3	20.5	19.0	500



把手蓋 EJECTOR COVER 13-60-3

- MATERIAL: ABS+PC
- FLAME CLASS: 94V-0
- COLOR: BLUE



ASSEMBLY PART

PART NO	A	B	C	D	PACKAGE
MHL-18DF	18.0	15.2	20.5	19.0	500

總公司

115027 台北市八德路四段768巷1弄8號

HEAD OFFICE:

No.8, ALLEY 1, LANE 768, SEC 4, PATEH RD.,

TAIPEI, 115027 TAIWAN

TEL: 886-2-27885767

FAX: 886-2-27885768

E-MAIL: sales@pingood.com.tw

http://www.pingood.com.tw



品基電子(東莞)有限公司

廣東省東莞市塘廈鎮果嶺路1號

DONGGUAN FACTORY:

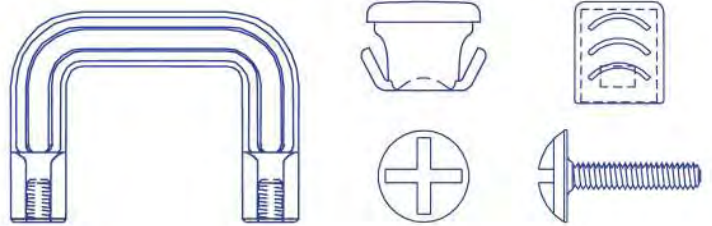
No.1, GUO LING RD.,TANG XIA,

DONGGUAN, GUANGDONG, CHINA

TEL: 86-769-87910231

FAX: 86-769-87910232

E-MAIL: pj@pingood.com.cn



蘇州品基電子科技有限公司

江蘇省蘇州市吳中區橫涇街道天鵝蕩路2986號

SUZHOU FACTORY:

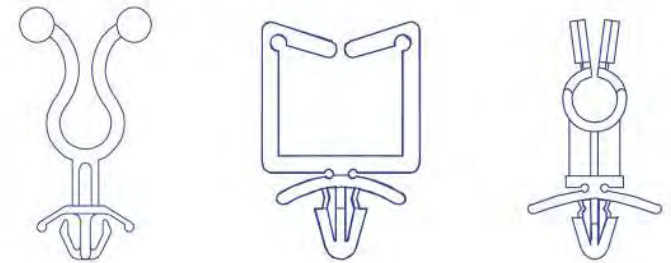
No.2986, TIAN EDANG RD., HENGJING TOWN,

WUZHONG, SUZHOU JIANGSU PROVINCE, CHINA

TEL: 86-512-65629123

FAX: 86-512-65611221

E-MAIL: spj@pingood.com.cn



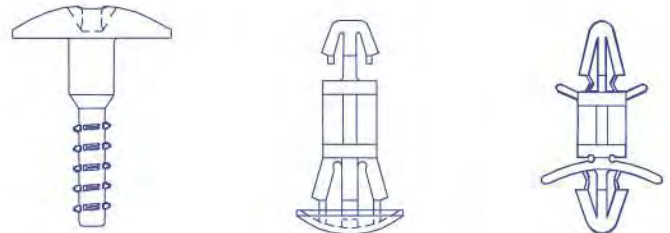
中壢工廠

320023 桃園市中壢區東園路21號

ZHONGLI FACTORY:

No.21, DONGYUAN RD., ZHONGLI DIST.,

TAOYUAN CITY, 320023 TAIWAN



SINGAPORE BRANCH

UNITRONIC COMPONENTS PTE.LTD

TEL: 65-62847555 FAX: 65-62842877



f Pingood品固 塑膠固扣件

