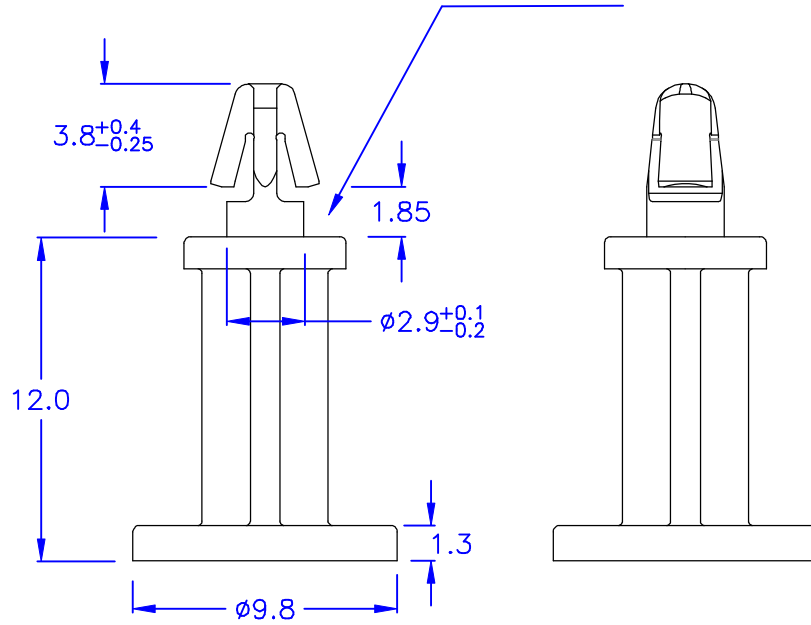


◎ HOLE IN P.C.B.:  $\phi 3.0 \pm 0.05$

◎ P.C.B. THICKNESS:  $1.6 \pm 0.05$  mm



- ◎ Halogen Free 低鹵
- ◎ ROHS 2.0
- ◎ ROHS 六項 compliant

DRAW NO. PGAS023671

GJS

<b>PLASTIC TOLERANCE:</b>	
L ≤ 10	±0.2
10 < L ≤ 30	±0.3
30 < L ≤ 50	±0.5
50 < L ≤ 100	±0.7
100 < L ≤ 250	±1.2
ABOVE 250	±1.5

網頁圖示供參考，最終以品固公司正式圖面為主  
The plastic tolerance is just for your reference; all the measurements and dimensions are according to the "DATA SHEET" issued by PINGOOD.



品固企業股份有限公司  
品基電子(東莞)有限公司  
蘇州品基電子科技有限公司  
鑽隆有限公司  
PINGOOD ENTERPRISE CO.,LTD.

MATERIAL: N66 V0 or EQUIVALENT

PART NAME:

P.C. 板間隔柱  
SPACER SUPPORT

A	VERSION
	2
SIZE	

COLOR: NATURAL

PART NO:

TAX-12D-NOW

SHEET 1 OF 1

	UNIT	SCALE
	mm	