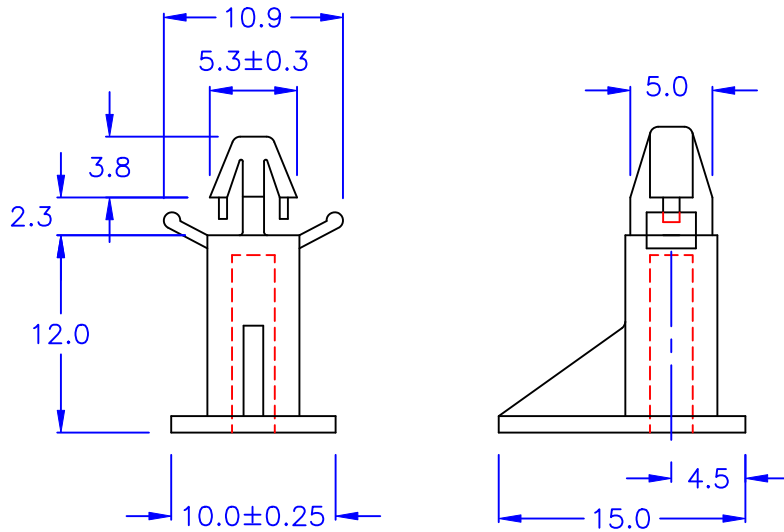
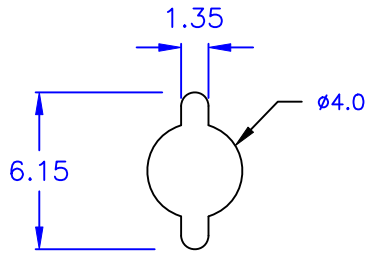


◎ P.C.B. THICKNESS: 1.2~2.1 mm

◎ HOLE IN P.C.B.:



- ◎ Halogen Free 低鹵
- ◎ ROHS 2.0
- ◎ ROHS 六項 compliant

DRAW NO. PGAS029962

GJS

<b>PLASTIC TOLERANCE:</b>	
L ≤ 10	±0.2
10 < L ≤ 30	±0.3
30 < L ≤ 50	±0.5
50 < L ≤ 100	±0.7
100 < L ≤ 250	±1.2
ABOVE 250	±1.5

網頁圖示供參考, 最終以品固公司正式圖面為主  
The plastic tolerance is just for your reference; all the measurements and dimensions are according to the "DATA SHEET" issued by PINGOOD.

**MATERIAL: N66 V0 or EQUIVALENT**

**COLOR: NATURAL**



品固企業股份有限公司  
品基電子(東莞)有限公司  
蘇州品基電子科技有限公司  
東莞市鑽隆商貿有限公司  
PINGOOD ENTERPRISE CO.,LTD.

PART NAME:

**P.C. 板間隔柱  
SPACER SUPPORT**

**A**

SIZE

VERSION

3A

PART NO:

TAJ-12-NOW

SHEET 1 OF 1

	UNIT	SCALE
	mm	

表單號碼QF135