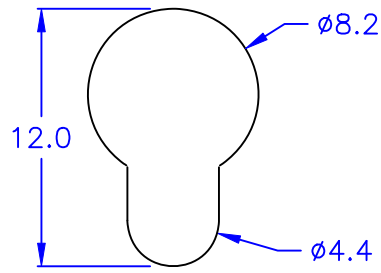
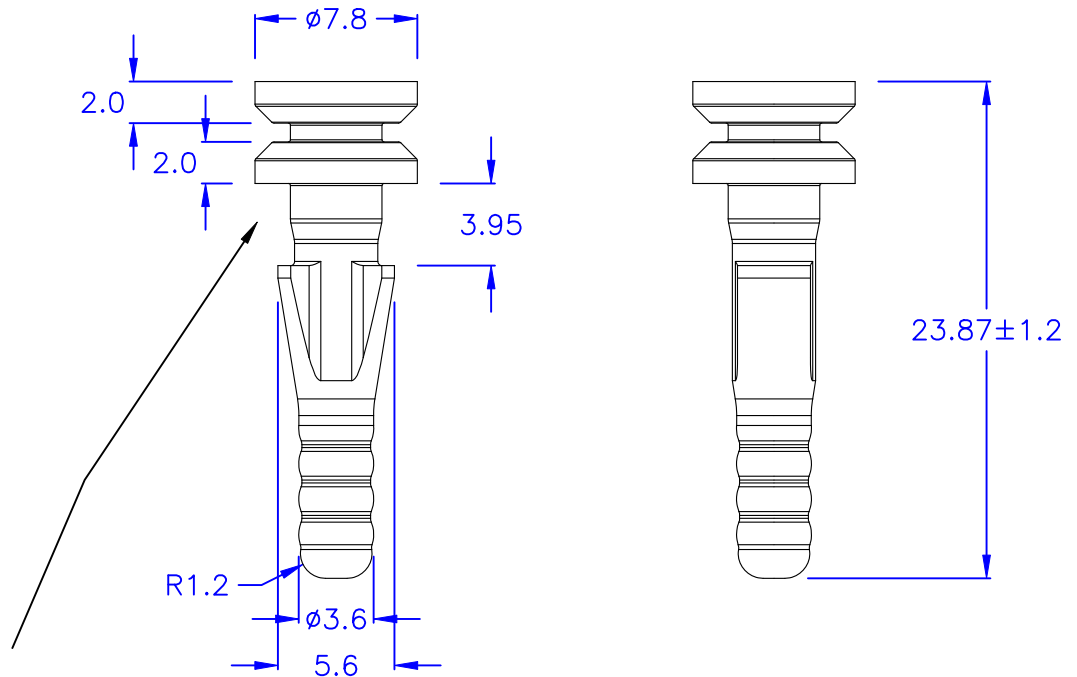


◎ HOLE IN CHASSIS:



◎ CHASSIS THICKNESS: 0.8 mm



◎ HOLE IN FAN: $\phi 4.3$

◎ FAN CHASSIS THICKNESS: 4.0 mm

◎Halogen Free 低鹵

DRAW NO. PGAS033766

GJS

PLASTIC TOLERANCE:

L<10	± 0.3
L ≥ 10	± 0.5
ABOVE 80	± 1.0

網頁圖示供參考,最終以品固公司正式圖面為主
The plastic tolerance is just for your reference; all the measurements and dimensions are according to the "DATA SHEET" issued by PINGOOD.



品固企業股份有限公司
品基電子(東莞)有限公司
蘇州品基電子科技有限公司
東莞市崑隆商貿有限公司
鑽隆有限公司
PINGOOD ENTERPRISE CO.,LTD.

MATERIAL: TPE V0 or EQUIVALENT

PART NAME:

風扇鉚釘
FAN SNAP RIVET

A	VERSION
	1
SIZE	

COLOR: BLACK

PART NO:

SRD-7AK-XZB

SHEET 1 OF 1

	UNIT	SCALE
	mm	

試片硬度: $50^{\circ} \pm 5^{\circ}$