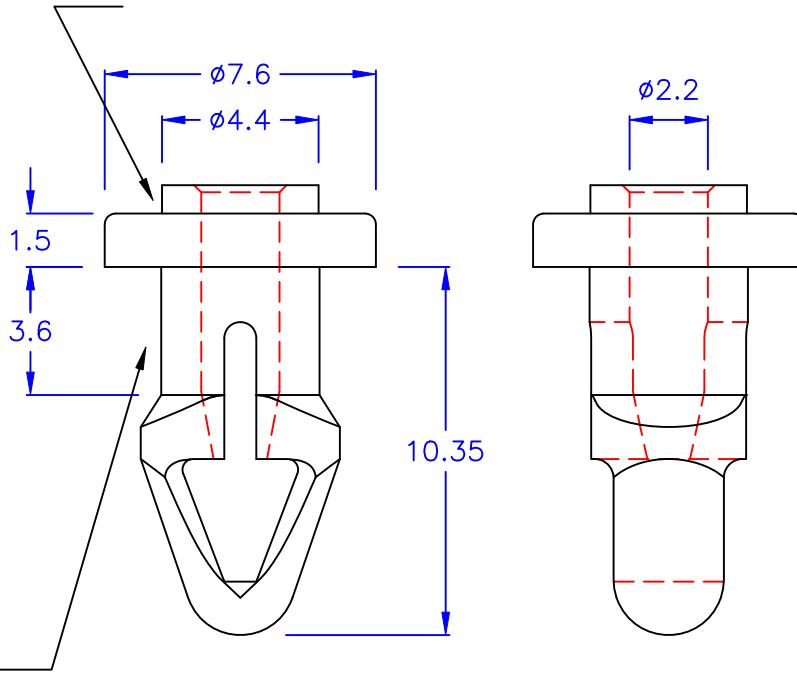


◎ CHASSIS THICKNESS: 1.0~1.2 mm

◎ HOLE IN CHASSIS: $\phi 4.5$



◎ HOLE IN FAN: $\phi 4.45$

◎ FAN CHASSIS THICKNESS: 4.0 mm

◎ 所有尺寸量測皆不含進膠口,膠口凸出1.2mm之內

◎ Halogen Free 低鹵
 ◎ ROHS 2.0
 ◎ ROHS 六項 compliant

DRAW NO. PGAS027708

GJS

PLASTIC TOLERANCE:

L < 10 ± 0.3
 L \geq 10 ± 0.5
 ABOVE 80 ± 1.0

網頁圖示供參考,最終以品固公司正式圖面為主
 The plastic tolerance is just for your reference; all the measurements and dimensions are according to the "DATA SHEET" issued by PINGOOD.



品固企業股份有限公司
 品基電子(東莞)有限公司
 蘇州品基電子科技有限公司
 東莞市鑽隆商貿有限公司
 PINGOOD ENTERPRISE CO.,LTD.

MATERIAL: TPE

COLOR: BLACK

試片硬度: 75°

PART NAME:

風扇鉚釘
 FAN SNAP RIVET

PART NO:

SR-46Y-TSB-Z

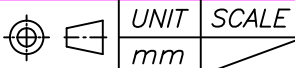
A

SIZE

VERSION

1

SHEET 1 OF 1



UNIT SCALE
 mm