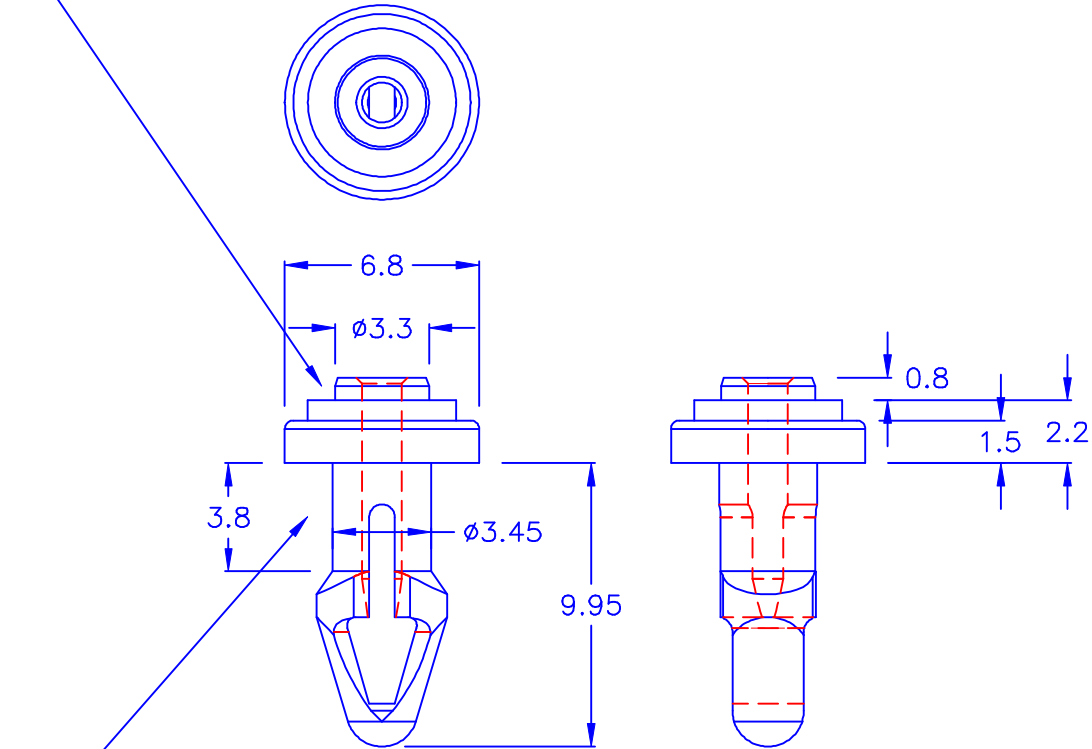


◎ HOLE IN CHASSIS:  $\phi 3.5$

◎ CHASSIS THICKNESS: 0.8 mm



◎ HOLE IN FAN:  $\phi 3.5$

◎ FAN CHASSIS THICKNESS: 4.0 mm

◎ 所有尺寸量測皆不含進膠口, 膠口凸出1.2 mm 之內

◎ Halogen Free 低鹵  
 ◎ ROHS 2.0  
 ◎ ROHS 六項 compliant

DRAW NO. PGAS021297

GJS

PLASTIC TOLERANCE:

L < 10	±0.3
L ≥ 10	±0.5
ABOVE 80	±1.0

網頁圖示供參考, 最終以品固公司正式圖面為主  
 The plastic tolerance is just for your reference; all the measurements and dimensions are according to the "DATA SHEET" issued by PINGOOD.



品固企業股份有限公司  
 品基電子(東莞)有限公司  
 蘇州品基電子科技有限公司  
 鑽隆有限公司  
 PINGOOD ENTERPRISE CO.,LTD.

MATERIAL: TPE

COLOR: BLACK

試片硬度: 75 $\pm$ 5°

PART NAME:

風扇鉚釘  
 FAN SNAP RIVET

PART NO:

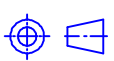
SR-44Y-TSB-Z

A

SIZE

VERSION

1A



UNIT	SCALE
mm	

SHEET 1 OF 1

表單號碼QF135