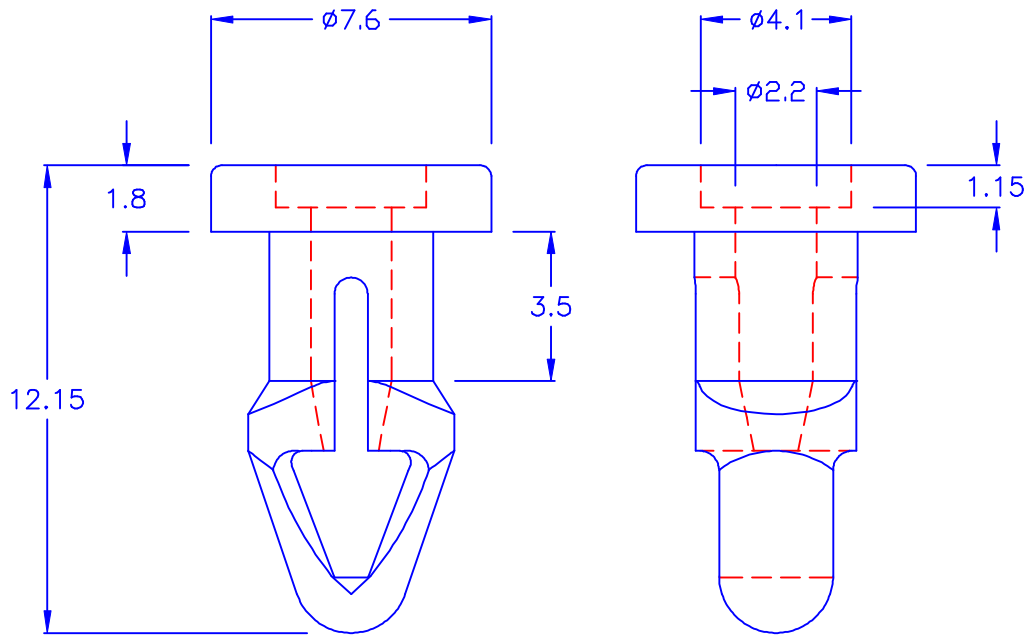


◎ CHASSIS THICKNESS: 1.2 mm

◎ HOLE IN CHASSIS:  $\phi 4.1$



◎ FAN CHASSIS THICKNESS: 4.0~4.2 mm

◎ HOLE IN FAN:  $\phi 4.45$

◎ 所有尺寸量測皆不含進膠口,膠口凸出1.2mm 之內

1.符合歐盟規範

◎ 鎘 (Cd) <100ppm

◎ 鉛 (Pb) <1000ppm

◎ 汞 (Hg) <1000ppm

◎ 六價鉻 (Cr6+) <1000ppm

◎ 多溴聯苯類 (PBB s) <1000ppm

◎ 多溴聯苯醚類 (PBDE s) <1000ppm

2.有鹵

DRAW NO. PGAS020813

GJS

PLASTIC TOLERANCE:

L ≤ 10	±0.2
10 < L ≤ 30	±0.3
30 < L ≤ 50	±0.5
50 < L ≤ 100	±0.7
100 < L ≤ 250	±1.2
ABOVE 250	±1.5

網頁圖示供參考,最終以品固公司正式圖面為主  
The plastic tolerance is just for your reference; all the measurements and dimensions are according to the "DATA SHEET" issued by PINGOOD.

MATERIAL: Santoprene 251-80  
or EQUIVALENT

COLOR: BLACK

試片硬度: 86 ± 10°



品固企業股份有限公司  
品基電子(東莞)有限公司  
蘇州品基電子科技有限公司  
鑽隆有限公司  
PINGOOD ENTERPRISE CO.,LTD.

PART NAME:

風扇鉚釘  
FAN SNAP RIVET

PART NO.:

SR-23YR4BZ

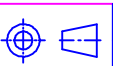
A

SIZE

VERSION

1C

SHEET 1 OF 1



UNIT SCALE  
mm