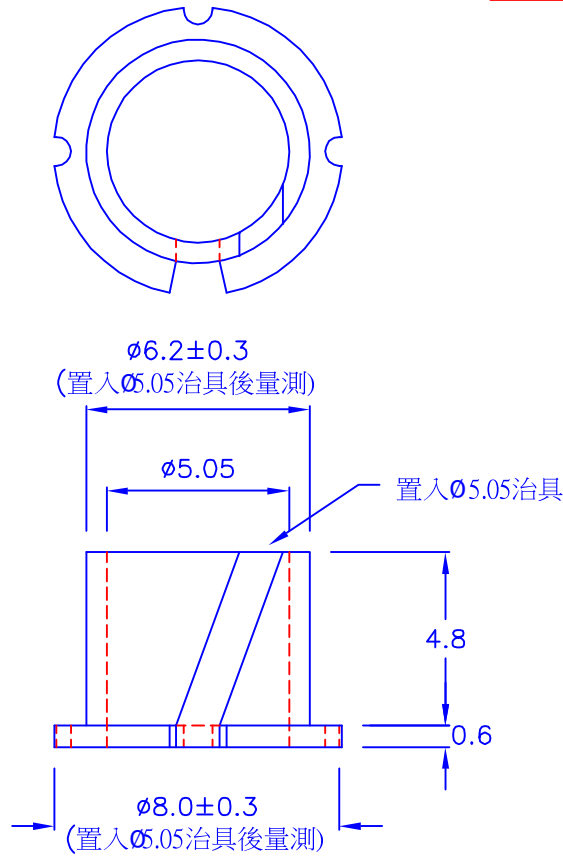


內孔尺寸，需以 $\phi 5.05$ 塞規檢驗



©HF
©ROHS compliant

DRAW NO. PGAS016847

GJS

PLASTIC TOLERANCE:			網頁圖示供參考，最終以品固公司正式圖面為主 The plastic tolerance is just for your reference; all the measurements and dimensions are according to the "DATA SHEET" issued by PINGOOD.
$L \leq 10$	± 0.2		
$10 < L \leq 30$	± 0.3		
$30 < L \leq 50$	± 0.5		
$50 < L \leq 100$	± 0.7		
$100 < L \leq 250$	± 1.2		
ABOVE 250	± 1.5		

MATERIAL: N66 V2 or EQUIVALENT

COLOR: NATURAL



品固企業股份有限公司
品基電子(東莞)有限公司
蘇州品基電子科技有限公司
鑽隆有限公司
PINGOOD ENTERPRISE CO.,LTD.

PART NAME:

保護座
PROTECT HOUSING

PART NO:

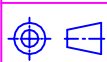
SG-05-BKW

A
SIZE

VERSION

2A

SHEET 1 OF 1



UNIT	SCALE
mm	

表單號碼QF135