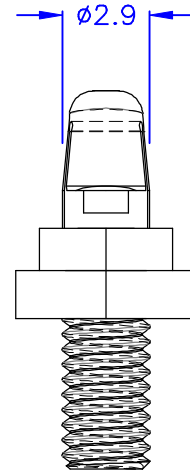
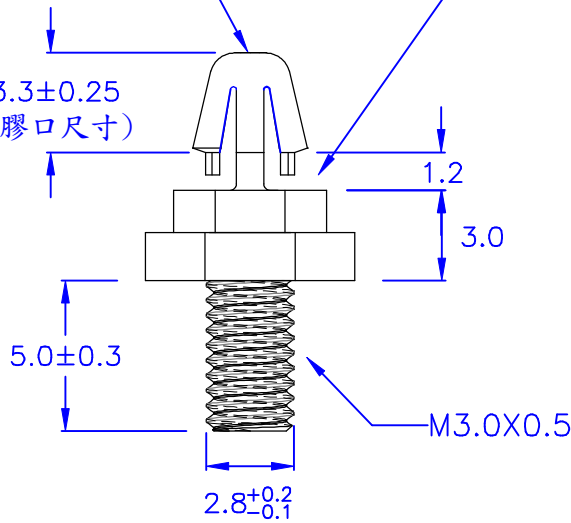


◎ HOLE IN P.C.B.:  $\phi 3.0$

◎ P.C.B. THICKNESS: 0.8~1.0 mm

進膠口不可凸出0.4mm

3.3 ± 0.25  
(不包含進膠口尺寸)



◎ Halogen Free 低鹵  
◎ ROHS 2.0  
◎ ROHS 六項 compliant

DRAW NO. PGAS026415

GJS

PLASTIC TOLERANCE:	
L ≤ 10	±0.2
10 < L ≤ 30	±0.3
30 < L ≤ 50	±0.5
50 < L ≤ 100	±0.7
100 < L ≤ 250	±1.2
ABOVE 250	±1.5

網頁圖示供參考, 最終以品固公司正式圖面為主  
The plastic tolerance is just for your reference; all the measurements and dimensions are according to the "DATA SHEET" issued by PINGOOD.

MATERIAL: N66 V2 or EQUIVALENT

COLOR: NATURAL



品固企業股份有限公司  
品基電子(東莞)有限公司  
蘇州品基電子科技有限公司  
鑽隆有限公司  
PINGOOD ENTERPRISE CO.,LTD.

PART NAME:

P.C. 板間隔柱  
SPACER SUPPORT

A  
SIZE

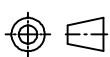
VERSION

1A

PART NO:

SDM-03-N2W

SHEET 1 OF 1



UNIT  
mm

SCALE

表單號碼 QF135