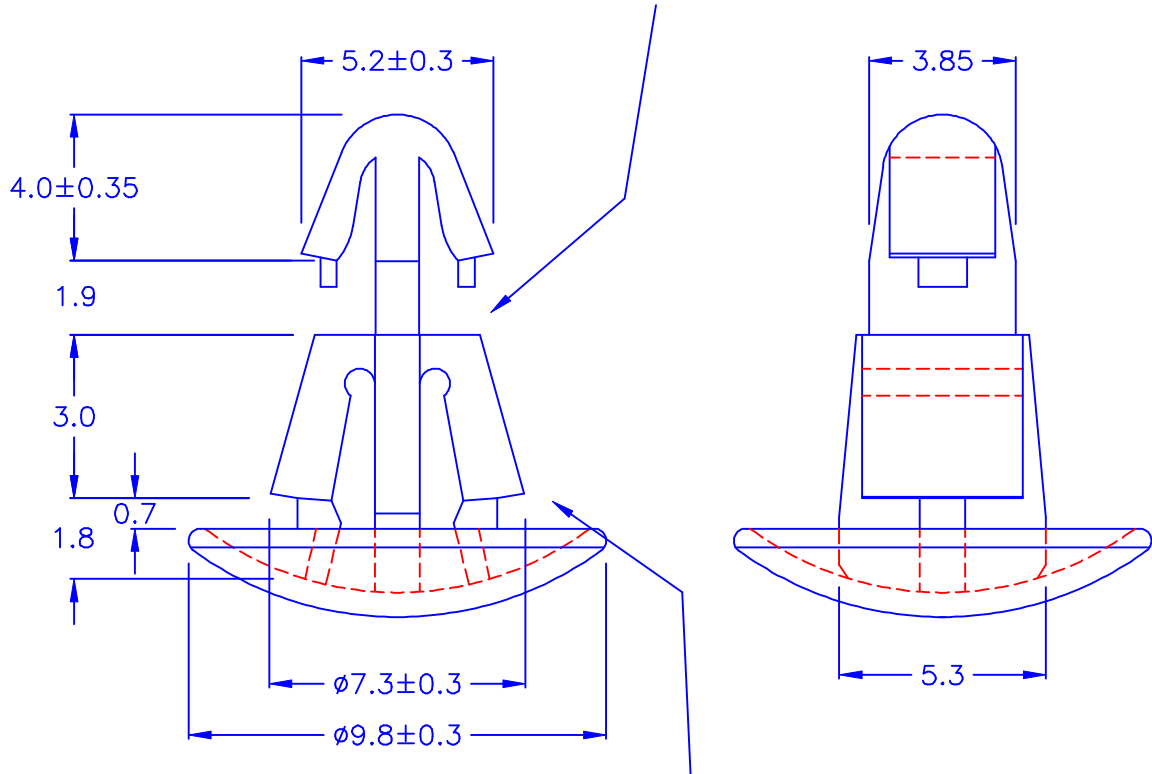


◎ HOLE IN DIMENSIONS:  $\phi 4.0$

◎ CHASSIS THICKNESS: 1.2~1.6 mm



◎ HOLE IN DIMENSIONS:  $\phi 5.5$

◎ CHASSIS THICKNESS: 0.8~1.6 mm

◎ Halogen Free 低鹵

◎ ROHS 2.0

◎ ROHS 六項 compliant

DRAW NO. PGAS022344

GJS

PLASTIC TOLERANCE:

$L \leq 10$	$\pm 0.2$
$10 < L \leq 30$	$\pm 0.3$
$30 < L \leq 50$	$\pm 0.5$
$50 < L \leq 100$	$\pm 0.7$
$100 < L \leq 250$	$\pm 1.2$
ABOVE 250	$\pm 1.5$

網頁圖示供參考, 最終以品固公司正式圖面為主

The plastic tolerance is just for your reference; all the measurements and dimensions are according to the "DATA SHEET" issued by PINGOOD.

MATERIAL: N66 V2 or EQUIVALENT

COLOR: NATURAL



品固企業股份有限公司  
品基電子(東莞)有限公司  
蘇州品基電子科技有限公司  
鑽隆有限公司  
PINGOOD ENTERPRISE CO.,LTD.

PART NAME:

P.C. 板間隔柱  
SPACER SUPPORT

A

SIZE

VERSION

4B

PART NO:

SCT-3

SHEET 1 OF 1

	UNIT	SCALE
	mm	