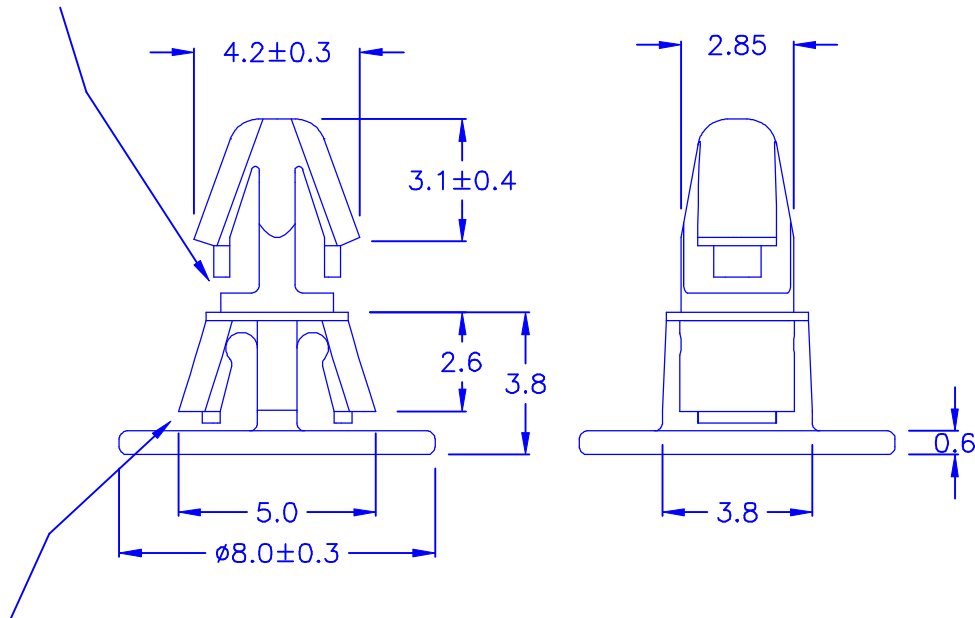


- ◎ HOLE IN DIMENSIONS: $\phi 3.0$
- ◎ CHASSIS THICKNESS: 1.6mm



- ◎ HOLE IN DIMENSIONS: $\phi 4.0$
- ◎ CHASSIS THICKNESS: 0.5mm

- ◎Halogen Free
- ◎ROHS compliant

DRAW NO. PGAS019169 GJS

PLASTIC TOLERANCE:	
L ≤ 10	±0.2
10 < L ≤ 30	±0.3
30 < L ≤ 50	±0.5
50 < L ≤ 100	±0.7
100 < L ≤ 250	±1.2
ABOVE 250	±1.5

網頁圖示供參考,最終以品固公司正式圖面為主
The plastic tolerance is just for your reference; all the measurements and dimensions are according to the "DATA SHEET" issued by PINGOOD.



品固企業股份有限公司
品基電子(東莞)有限公司
蘇州品基電子科技有限公司
鑽隆有限公司
PINGOOD ENTERPRISE CO.,LTD.

MATERIAL: N66 V2 or EQUIVALENT
COLOR: NATURAL

PART NAME:

P.C. 板間隔柱
SPACER SUPPORT

A
SIZE

VERSION
1B

PART NO:

SCG-2A-N2W

SHEET 1 OF 1

UNIT	SCALE
mm	