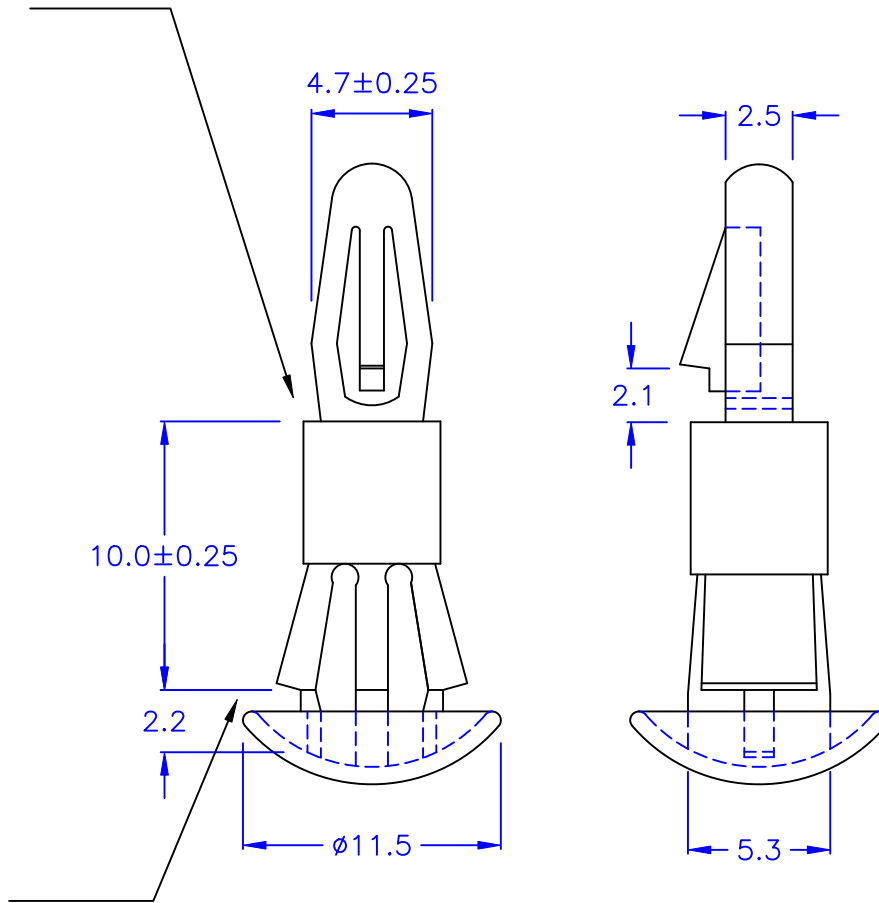


◎ HOLE IN DIMENSIONS: $\phi 4.0$
 ◎ CHASSIS THICKNESS: 0.8~1.9 mm



◎ HOLE IN DIMENSIONS: $\phi 5.5$
 ◎ CHASSIS THICKNESS: 1.0~1.6 mm

◎ Halogen Free 低鹵
 ◎ ROHS 2.0
 ◎ ROHS 六項 compliant

DRAW NO. PGAS032554 GJS

PLASTIC TOLERANCE:		網頁圖示供參考,最終以品固公司正式圖面為主 The plastic tolerance is just for your reference; all the measurements and dimensions are according to the "DATA SHEET" issued by PINGOOD.
L ≤ 10	±0.2	
10 < L ≤ 30	±0.3	
30 < L ≤ 50	±0.5	
50 < L ≤ 100	±0.7	
100 < L ≤ 250	±1.2	
ABOVE 250	±1.5	
MATERIAL: N66 V2 or EQUIVALENT		
COLOR: NATURAL		



品固企業股份有限公司
 品基電子(東莞)有限公司
 蘇州品基電子科技有限公司
 東莞市鑽隆商貿有限公司
 PINGOOD ENTERPRISE CO.,LTD.

PART NAME:		A	VERSION
P.C. 板間隔柱 SPACER SUPPORT			
PART NO:		SHEET 1 OF 1	
SCD-10S			

	UNIT	SCALE
	mm	