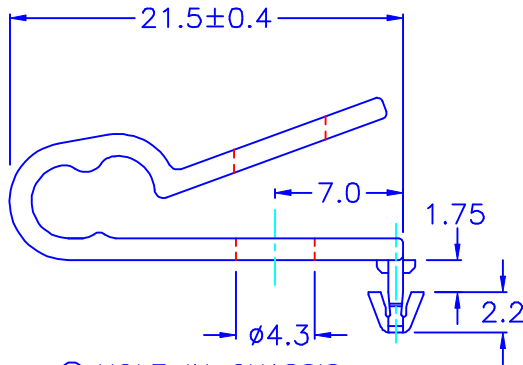
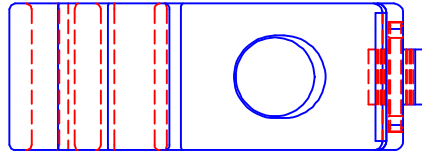
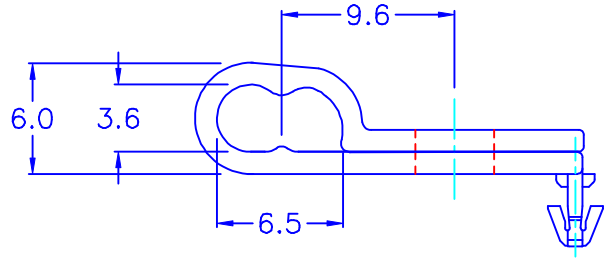
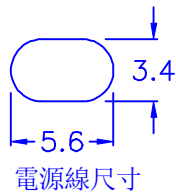
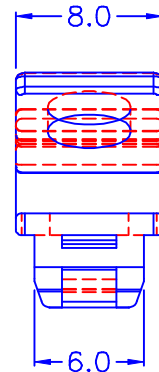


閉合示意圖



◎ HOLE IN CHASSIS:

2.3±0.05



◎ CHASSIS THICKNESS: 1.6 mm

- ◎Halogen Free 低鹵
- ◎ROHS 2.0
- ◎ROHS 六項 compliant

DRAW NO. PGAS020668

GJS

PLASTIC TOLERANCE:

$L \leq 10$	±0.2
$10 < L \leq 30$	±0.3
$30 < L \leq 50$	±0.5
$50 < L \leq 100$	±0.7
$100 < L \leq 250$	±1.2
ABOVE 250	±1.5

網頁圖示供參考, 最終以品固公司正式圖面為主
The plastic tolerance is just for your reference; all the measurements and dimensions are according to the "DATA SHEET" issued by PINGOOD.

MATERIAL: N66 V2 or EQUIVALENT

COLOR: BLACK



品固企業股份有限公司
品基電子(東莞)有限公司
蘇州品基電子科技有限公司
鑽隆有限公司
PINGOOD ENTERPRISE CO.,LTD.

PART NAME:

電線固定扣
CABLE CLAMP

PART NO:

PLB-3Q-N2B

A

SIZE

VERSION

1

SHEET 1 OF 1

	UNIT	SCALE
	mm	