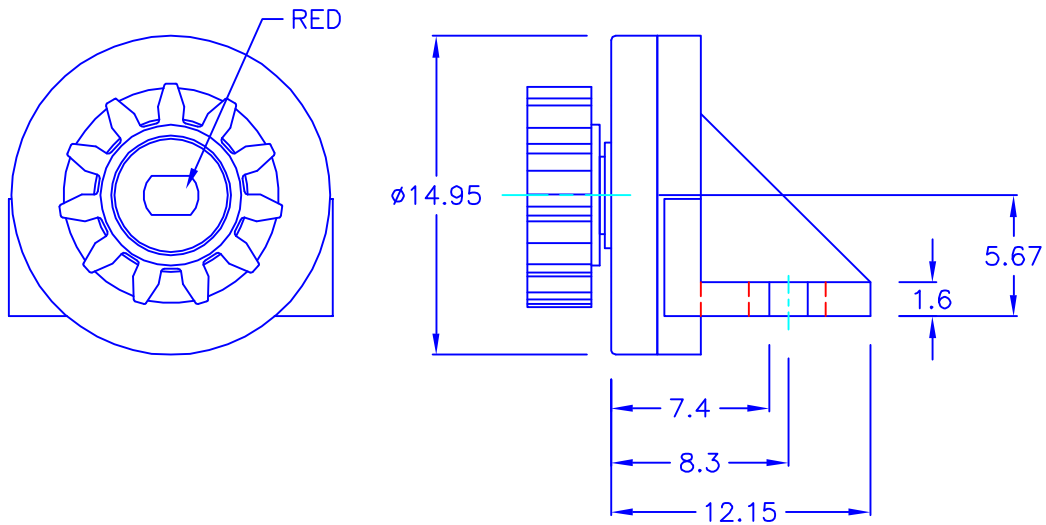
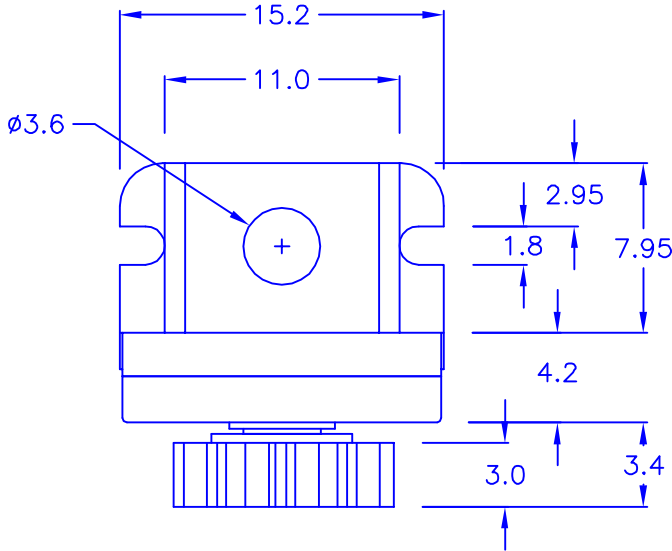


CLASSIFICATION: GEAR
 STYLE: SPLINE
 PRESSURE ANGLE: 20°
 TOOTH NUMBER: 11
 PITCH DIAMETER: ϕ 8.8
 MODULE: 0.8
 OUTSIDE DIAMETER: ϕ 10.5
 AVAILABLE TORQUE: $100 \begin{smallmatrix} +30 \\ -20 \end{smallmatrix}$ gf-cm (23°C)
 THE ROTATION RATE: 15 RPM
 * The temperature and R.P.M will be affected the torque



©ROHS compliant

DRAW NO. PGAS016482

GJS

PLASTIC TOLERANCE:		
L ≤ 10	±0.2	
10 < L ≤ 30	±0.3	
30 < L ≤ 50	±0.5	
50 < L ≤ 100	±0.7	
100 < L ≤ 250	±1.2	
ABOVE 250	±1.5	

網頁圖示供參考, 最終以品固公司正式圖面為主
 The plastic tolerance is just for your reference; all the measurements and dimensions are according to the "DATA SHEET" issued by PINGOOD.



品固企業股份有限公司
 品基電子(東莞)有限公司
 蘇州品基電子科技有限公司
 鑽隆有限公司
 PINGOOD ENTERPRISE CO.,LTD.

MATERIAL:
 POM 94HB or EQUIVALENT
 PC 94V2 or EQUIVALENT

PART NAME:
 ROTARY DAMPER

VERSION	A
	1
SIZE	A

	UNIT	SCALE
	mm	

COLOR: BLACK

PART NO.:
 PG-12-100R

SHEET 1 OF 1

EF0404505