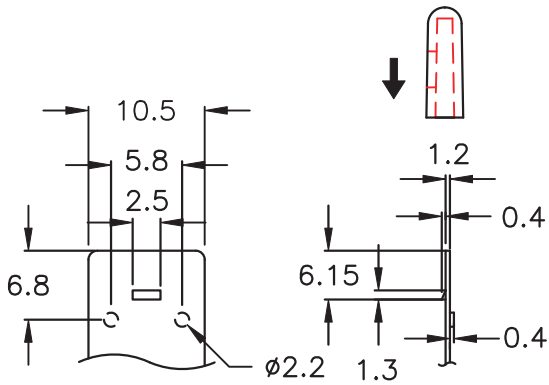


© ASSEMBLY PART



DRAW NO. PGAS029121

GJS

PLASTIC TOLERANCE:

$L \leq 10$	± 0.2
$10 < L \leq 30$	± 0.3
$30 < L \leq 50$	± 0.5
$50 < L \leq 100$	± 0.7
$100 < L \leq 250$	± 1.2
ABOVE 250	± 1.5

網頁圖示供參考, 最終以品固公司正式圖面為主
The plastic tolerance is just for your reference; all the measurements and dimensions are according to the "DATA SHEET" issued by PINGOOD.



品固企業股份有限公司
品基電子(東莞)有限公司
蘇州品基電子科技有限公司
東莞市鑽隆商貿有限公司
PINGOOD ENTERPRISE CO.,LTD.

MATERIAL:

ABS+PC V0 or EQUIVALENT

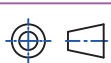
PART NAME:

把手蓋
EJECTOR COVER

A
SIZE

VERSION

1



UNIT
mm

SCALE

COLOR: RED (紫紅色)

PART NO:

MHL-24-A9R2

SHEET 1 OF 1