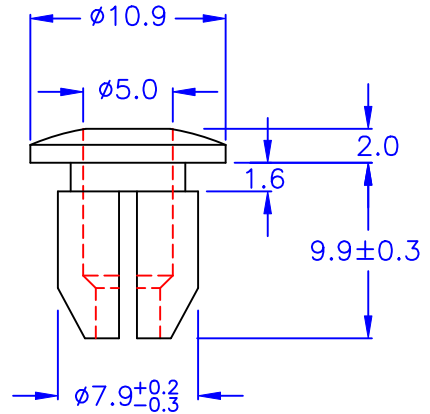
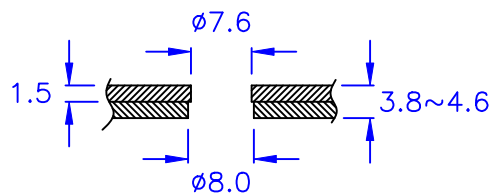


LH-2D-A



LH-2D-Z

◎ CHASSIS THICKNESS:
 ◎ HOLE IN DIMENSIONS:



◎Halogen Free 低鹵
 ◎ROHS 2.0
 ◎ROHS 六項 compliant

DRAW NO. PGAS027198

GJS

PLASTIC TOLERANCE:	
L ≤ 10	±0.2
10 < L ≤ 30	±0.3
30 < L ≤ 50	±0.5
50 < L ≤ 100	±0.7
100 < L ≤ 250	±1.2
ABOVE 250	±1.5

網頁圖示供參考, 最終以品固公司正式圖面為主
 The plastic tolerance is just for your reference; all the measurements and dimensions are according to the "DATA SHEET" issued by PINGOOD.

MATERIAL(MALE): N66 V2 or EQUIVALENT

MATERIAL(FEMALE): PC V2 or EQUIVALENT

COLOR: BLACK



品固企業股份有限公司
 品基電子(東莞)有限公司
 蘇州品基電子科技有限公司
 東莞市鑽隆商貿有限公司
 PINGOOD ENTERPRISE CO.,LTD.

PART NAME:

固定扣
 NIFLATCH

PART NO:

LH-2D

A

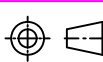
SIZE

VERSION

2A

SHEET 1 OF 1

表單號碼QF135



UNIT	SCALE
mm	