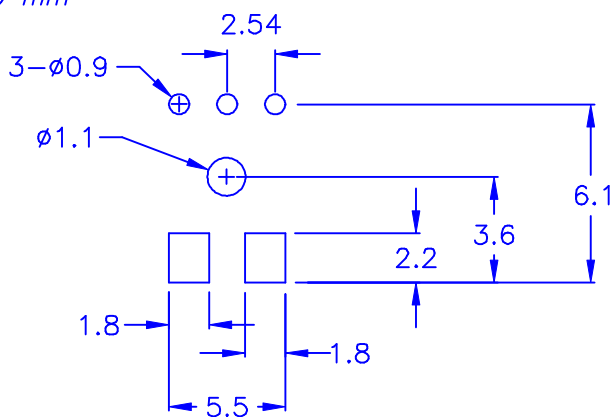


◎ CHASSIS THICKNESS: 1.6 mm
 ◎ HOLE IN P.C.B:



◎ Halogen Free
 ◎ ROHS compliant

DRAW NO. PGAS019753 GJS

PLASTIC TOLERANCE:	
L ≤ 10	±0.2
10 < L ≤ 30	±0.3
30 < L ≤ 50	±0.5
50 < L ≤ 100	±0.7
100 < L ≤ 250	±1.2
ABOVE 250	±1.5

網頁圖示供參考, 最終以品固公司正式圖面為主
 The plastic tolerance is just for your reference; all the measurements and dimensions are according to the "DATA SHEET" issued by PINGOOD.



品固企業股份有限公司
 品基電子(東莞)有限公司
 蘇州品基電子科技有限公司
 鑽隆有限公司
 PINGOOD ENTERPRISE CO.,LTD.

MATERIAL: N66 V2 or EQUIVALENT

COLOR: BLACK

PART NAME:

LED座
 LED HOUSING

A
 SIZE

VERSION

2A

PART NO:

LEK5-5TX-B

SHEET 1 OF 1



UNIT	SCALE
mm	