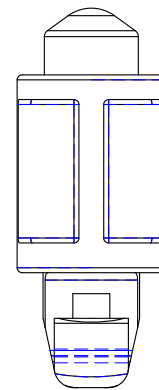
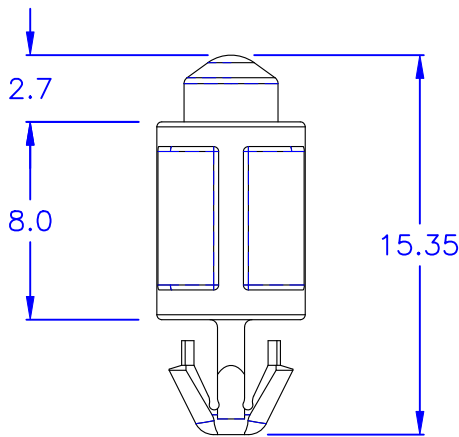
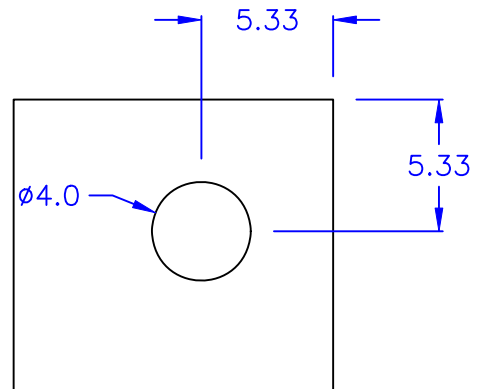
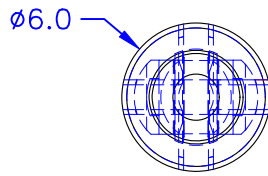


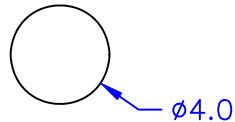
◎ P.C.B THICKNESS: 1.6 mm

◎ HOLE IN P.C.B. :



◎ P.C.B THICKNESS: 1.6 mm

◎ HOLE IN P.C.B. :



- ◎Halogen Free 低鹵
- ◎ROHS 2.0
- ◎ROHS 六項 compliant

DRAW NO. PGAS033721

GJS

PLASTIC TOLERANCE:

L ≤ 10	±0.2
10 < L ≤ 30	±0.3
30 < L ≤ 50	±0.5
50 < L ≤ 100	±0.7
100 < L ≤ 250	±1.2
ABOVE 250	±1.5

網頁圖示供參考,最終以品固公司正式圖面為主

The plastic tolerance is just for your reference; all the measurements and dimensions are according to the "DATA SHEET" issued by PINGOOD.

MATERIAL: N66 V0 or EQUIVALENT

COLOR: BLACK



品固企業股份有限公司
品基電子(東莞)有限公司
蘇州品基電子科技有限公司
東莞市鑽隆商貿有限公司
PINGOOD ENTERPRISE CO.,LTD.

PART NAME:

P.C 板間隔柱
SPACER SUPPORT

A
SIZE

VERSION

1A

PART NO:

LCZ-8PH-NOB

SHEET 1 OF 1

	UNIT	SCALE
	mm	