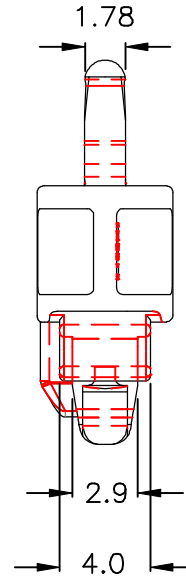
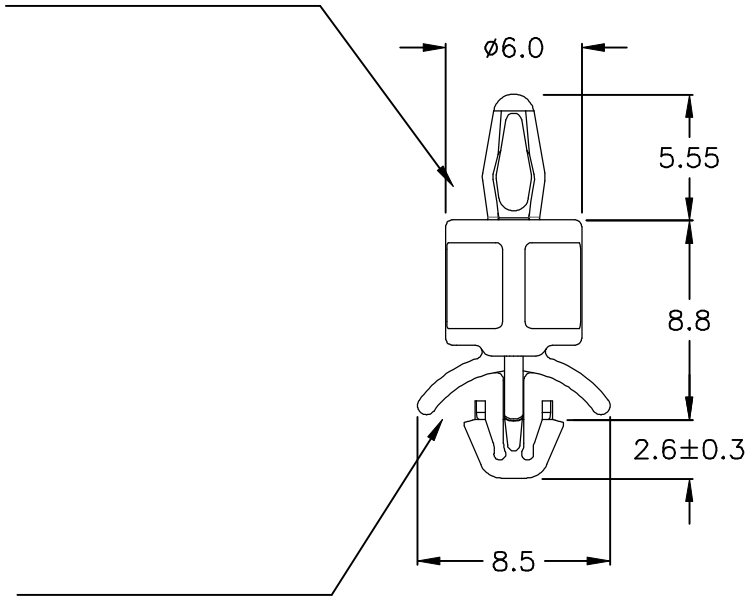
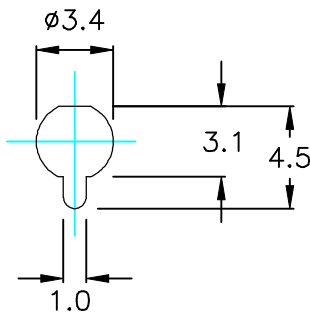


◎P.C.B THICKNESS: 1.6 mm  
 ◎HOLE IN DIMENSIONS:  $\phi 2.5$



◎ HOLE IN CHASSIS:



◎Halogen Free 低鹵  
 ◎ROHS 2.0  
 ◎ROHS 六項 compliant

DRAW NO. PGAS025588

GJS

PLASTIC TOLERANCE:

$L \leq 10$	$\pm 0.2$
$10 < L \leq 30$	$\pm 0.3$
$30 < L \leq 50$	$\pm 0.5$
$50 < L \leq 100$	$\pm 0.7$
$100 < L \leq 250$	$\pm 1.2$
ABOVE 250	$\pm 1.5$

網頁圖示供參考,最終以品固公司正式圖面為主

The plastic tolerance is just for your reference; all the measurements and dimensions are according to the "DATA SHEET" issued by PINGOOD.

MATERIAL: N66 V0 or EQUIVALENT

COLOR: BLACK



品固企業股份有限公司  
 品基電子(東莞)有限公司  
 蘇州品基電子科技有限公司  
 鑽隆有限公司  
 PINGOOD ENTERPRISE CO.,LTD.

PART NAME:

P.C. 板間隔柱  
 SPACER SUPPORT

PART NO:

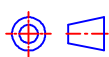
LCY-7SA-NOB

A

SIZE

VERSION

1



UNIT  
mm

SCALE

SHEET 1 OF 1