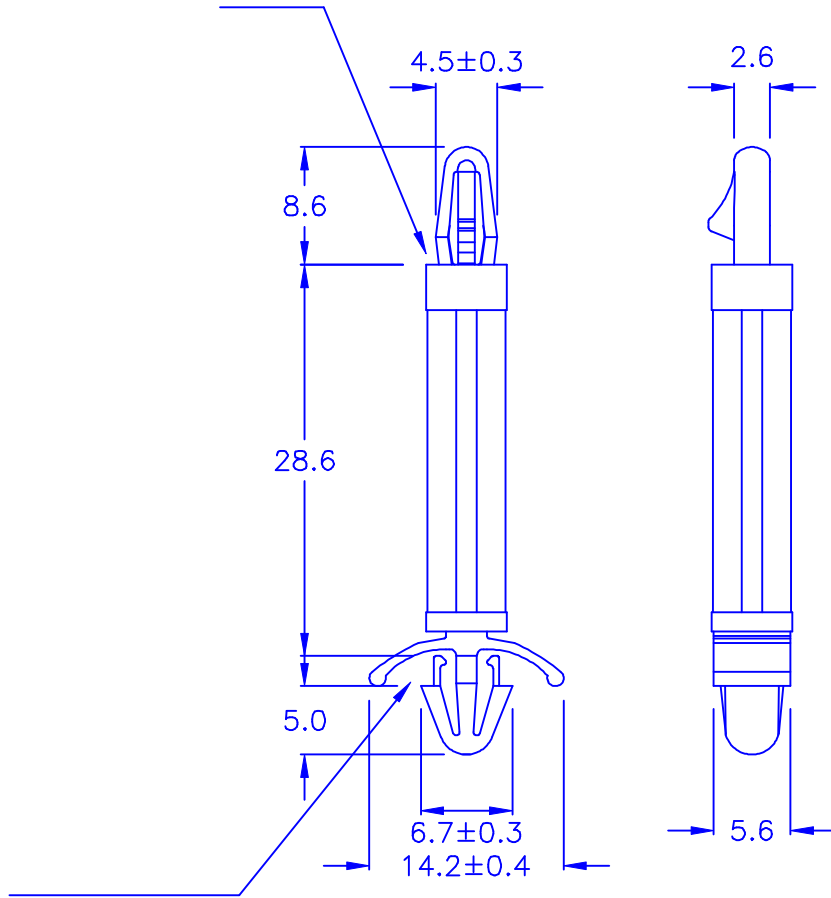


◎ HOLE IN P.C.B.:  $\phi 4.0$   
 ◎ P.C.B. THICKNESS: 1.2~1.6 mm



◎ HOLE IN P.C.B.:  $\phi 4.8$   
 ◎ P.C.B. THICKNESS: 0.5~2.0 mm

◎ Halogen Free 低鹵  
 ◎ ROHS 2.0  
 ◎ ROHS 六項 compliant

DRAW NO. PGAS022400

GJS

<b>PLASTIC TOLERANCE:</b>	
$L \leq 10$	$\pm 0.2$
$10 < L \leq 30$	$\pm 0.3$
$30 < L \leq 50$	$\pm 0.5$
$50 < L \leq 100$	$\pm 0.7$
$100 < L \leq 250$	$\pm 1.2$
ABOVE 250	$\pm 1.5$

網頁圖示供參考, 最終以品固公司正式圖面為主  
 The plastic tolerance is just for your reference; all the measurements and dimensions are according to the "DATA SHEET" issued by PINGOOD.

MATERIAL: N66 V2 or EQUIVALENT

COLOR: NATURAL



品固企業股份有限公司  
 品基電子(東莞)有限公司  
 蘇州品基電子科技有限公司  
 鑽隆有限公司  
 PINGOOD ENTERPRISE CO.,LTD.

PART NAME:

P.C. 板間隔柱  
 SPACER SUPPORT

A  
 SIZE

VERSION

2A

PART NO:

LCC-28AN2W

SHEET 1 OF 1

	UNIT	SCALE
	mm	