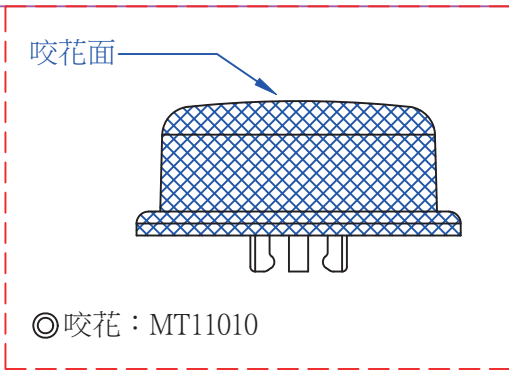
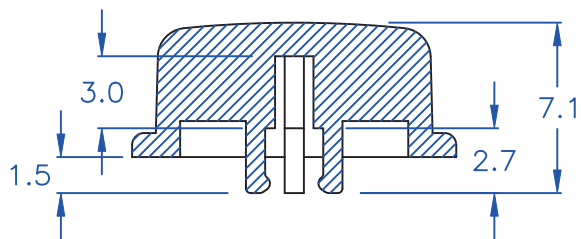
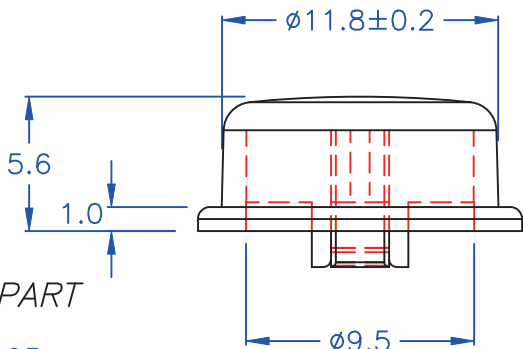


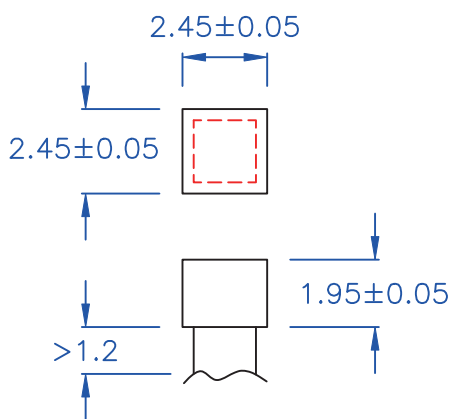
ø13.65±0.2



◎咬花：MT11010



◎ ASSEMBLY PART



◎Halogen Free 低鹵  
 ◎ROHS 2.0  
 ◎ROHS 六項 compliant

DRAW NO. PGAS031669

GJS

PLASTIC TOLERANCE:

L ≤ 10	±0.2
10 < L ≤ 30	±0.3
30 < L ≤ 50	±0.5
50 < L ≤ 100	±0.7
100 < L ≤ 250	±1.2
ABOVE 250	±1.5

網頁圖示供參考，最終以品固公司正式圖面為主

The plastic tolerance is just for your reference; all the measurements and dimensions are according to the "DATA SHEET" issued by PINGOOD.

MATERIAL: N66 V2 or EQUIVALENT

COLOR: BLACK



品固企業股份有限公司  
 品基電子(東莞)有限公司  
 蘇州品基電子科技有限公司  
 東莞市鑽隆商貿有限公司  
 PINGOOD ENTERPRISE CO.,LTD.

PART NAME:

開關延長蓋  
 SWITCH EXTENDING COVER

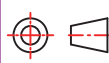
A  
 SIZE

VERSION  
 1A

PART NO:

HS-5A-N2B

SHEET 1 OF 1



UNIT	SCALE
mm	