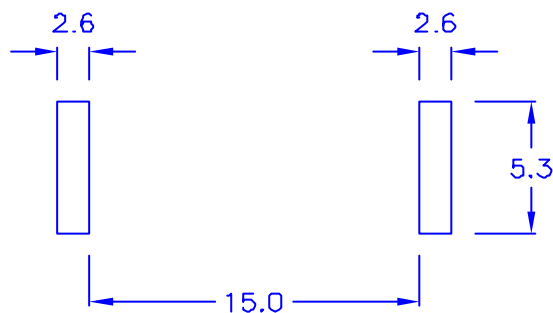


◎ HOLE IN:



◎ CHASSIS THICKNESS: 0.8~1.6 mm

◎ROHS compliant

DRAW NO. PGAS012982

GJS

<b>PLASTIC TOLERANCE:</b>	
L ≤ 10	±0.2
10 < L ≤ 30	±0.3
30 < L ≤ 50	±0.5
50 < L ≤ 100	±0.7
100 < L ≤ 250	±1.2
ABOVE 250	±1.5

網頁圖示供參考, 最終以品固公司正式圖面為主  
The plastic tolerance is just for your reference; all the measurements and dimensions are according to the "DATA SHEET" issued by PINGOOD.

**MATERIAL:** N66 V2 or EQUIVALENT  
**COLOR:** NATURAL



品固企業股份有限公司  
品基電子(東莞)有限公司  
蘇州品基電子科技有限公司  
鑽隆有限公司  
PINGOOD ENTERPRISE CO.,LTD.

**PART NAME:**

排線固定夾  
FLAT CABLE CLAMP

**PART NO.:**

FBC-15-N2W

**A**  
SIZE

REV.

1

SHEET 1 OF 1

	UNIT	SCALE
	mm	

EF0404505