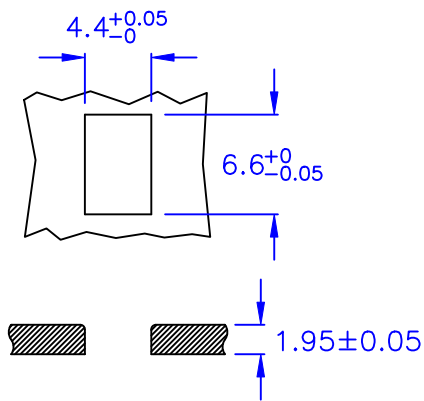


◎ HOLE IN CHASSIS:



◎ The normal temperature durability 0.8 kg

◎ Halogen Free

DRAW NO. PGAS029956

GJS

PLASTIC TOLERANCE:

$L \leq 10$	± 0.2
$10 < L \leq 30$	± 0.3
$30 < L \leq 50$	± 0.5
$50 < L \leq 100$	± 0.7
$100 < L \leq 250$	± 1.2
ABOVE 250	± 1.5

網頁圖示供參考, 最終以品固公司正式圖面為主
The plastic tolerance is just for your reference; all the measurements and dimensions are according to the "DATA SHEET" issued by PINGOOD.

HOUSING MATERIAL: PC V2 or EQUIVALENT

CLIP MATERIAL: N66 V0 or EQUIVALENT

COLOR: BLACK



品固企業股份有限公司
品基電子(東莞)有限公司
蘇州品基電子科技有限公司
東莞市鑽隆商貿有限公司
鑽隆有限公司
PINGOOD ENTERPRISE CO.,LTD.

PART NAME:

PUSH LATCH

PART NO:

DL-250

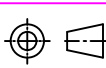
A

SIZE

VERSION

1A

SHEET 1 OF 1



UNIT	SCALE
mm	