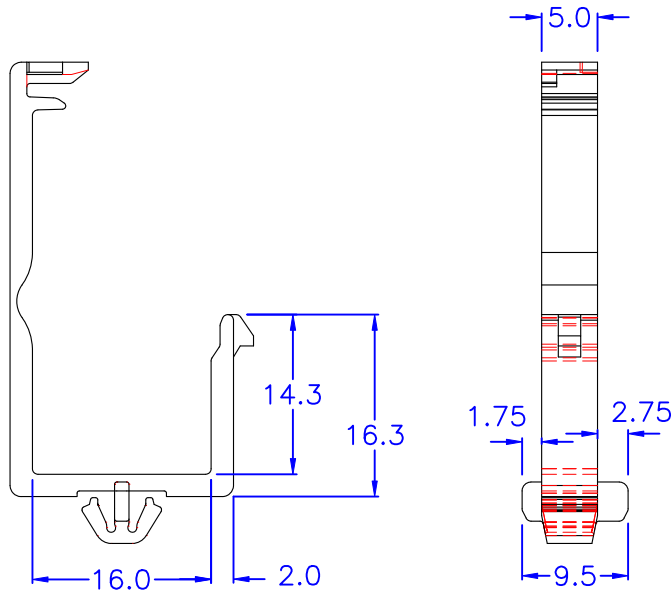
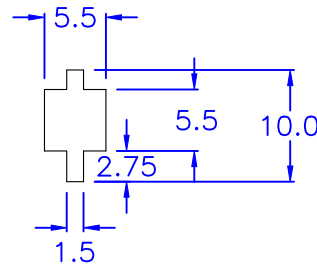


扣合圖示



◎ HOLE IN CHASSIS:



◎ CHASSIS THICKNESS: 0.6 mm

- ◎ Halogen Free 低鹵
- ◎ ROHS 2.0
- ◎ ROHS 六項 compliant

DRAW NO. PGAS029551

GJS

PLASTIC TOLERANCE:		網頁圖示供參考, 最終以品固公司正式圖面為主 The plastic tolerance is just for your reference; all the measurements and dimensions are according to the "DATA SHEET" issued by PINGOOD.
L ≤ 10	±0.2	
10 < L ≤ 30	±0.3	
30 < L ≤ 50	±0.5	
50 < L ≤ 100	±0.7	
100 < L ≤ 250	±1.2	MATERIAL: N66 V2 or EQUIVALENT
ABOVE 250	±1.5	COLOR: BLACK



品固企業股份有限公司
品基電子(東莞)有限公司
蘇州品基電子科技有限公司
東莞市鑽隆商貿有限公司
PINGOOD ENTERPRISE CO.,LTD.

PART NAME:

隔離束線座
WIRE SADDLE

PART NO:

CYK-16G-N2B

A

SIZE

VERSION

1

SHEET 1 OF 1

	UNIT	SCALE
	mm	