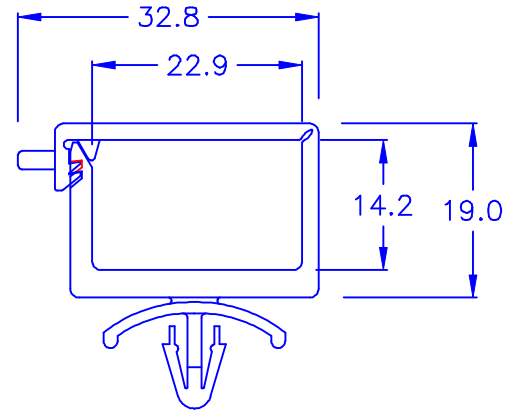


閉合尺寸:



- ◎ HOLE IN CHASSIS:  $\phi 5.0$  mm
- ◎ MAXIMUM THICKNESS: 3.2 mm

- ◎ Halogen Free 低鹵
- ◎ ROHS 2.0
- ◎ ROHS 六項 compliant

DRAW NO. PGAS022875 GJS

<b>PLASTIC TOLERANCE:</b> L≤10 ±0.2 10<L≤30 ±0.3 30<L≤50 ±0.5 50<L≤100 ±0.7 100<L≤250 ±1.2 ABOVE 250 ±1.5	網頁圖示供參考,最終以品固公司正式圖面為主 The plastic tolerance is just for your reference; all the measurements and dimensions are according to the "DATA SHEET" issued by PINGOOD.	
	<b>MATERIAL: N66 V2 or EQUIVALENT</b>	
	<b>COLOR: NATURAL</b>	



品固企業股份有限公司  
 品基電子(東莞)有限公司  
 蘇州品基電子科技有限公司  
 鑽隆有限公司  
 PINGOOD ENTERPRISE CO.,LTD.

PART NAME:  
 隔離束線座  
 WIRE SADDLE

A	VERSION
	3A
SIZE	

PART NO:  
 CH-20A-N2W

SHEET 1 OF 1

	UNIT	SCALE
	mm	