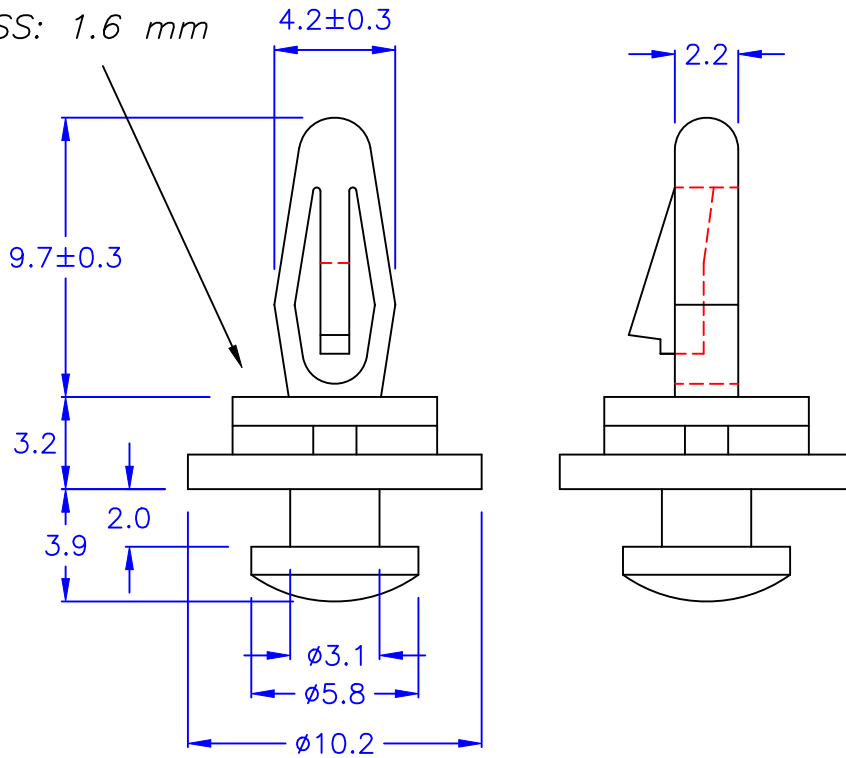
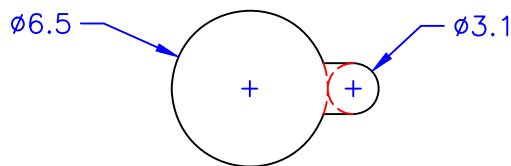


- ◎ HOLE IN P.C.B:  $\phi 3.5$  mm
- ◎ P.C.B THICKNESS: 1.6 mm



◎ HOLE IN CHASSIS:



◎ CHASSIS THICKNESS: 1.0~1.7 mm

- ◎ Halogen Free 低鹵
- ◎ ROHS 2.0
- ◎ ROHS 六項 compliant

DRAW NO. PGAS032173 GJS

<b>PLASTIC TOLERANCE:</b> $L \leq 10 \pm 0.2$ $10 < L \leq 30 \pm 0.3$ $30 < L \leq 50 \pm 0.5$ $50 < L \leq 100 \pm 0.7$ $100 < L \leq 250 \pm 1.2$ ABOVE 250 $\pm 1.5$	網頁圖示供參考, 最終以品固公司正式圖面為主 The plastic tolerance is just for your reference; all the measurements and dimensions are according to the "DATA SHEET" issued by PINGOOD.
	<b>MATERIAL: N66 V2 or EQUIVALENT</b>
	<b>COLOR: NATURAL</b>



品固企業股份有限公司  
 品基電子(東莞)有限公司  
 蘇州品基電子科技有限公司  
 東莞市鑽隆商貿有限公司  
 PINGOOD ENTERPRISE CO.,LTD.

<b>PART NAME:</b> PC板間隔柱 SPACER SUPPORT	<b>VERSION</b> A <b>SIZE</b> 4B

	<b>UNIT</b> mm	<b>SCALE</b> 1:1
	SHEET 1 OF 1	