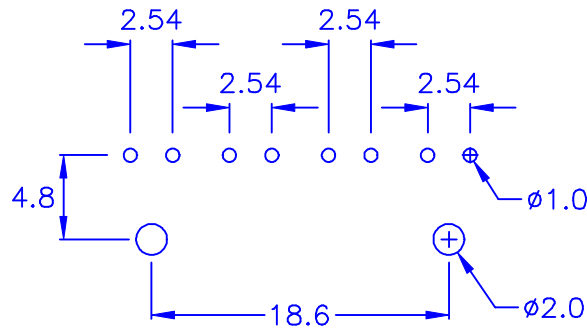


◎ HOLE IN P.C.B:



◎ Halogen Free
 ◎ ROHS compliant

DRAW NO. PGAS021050 GJS

| | |
|--------------------|-----------|
| PLASTIC TOLERANCE: | |
| $L \leq 10$ | ± 0.2 |
| $10 < L \leq 30$ | ± 0.3 |
| $30 < L \leq 50$ | ± 0.5 |
| $50 < L \leq 100$ | ± 0.7 |
| $100 < L \leq 250$ | ± 1.2 |
| ABOVE 250 | ± 1.5 |

網頁圖示供參考, 最終以品固公司正式圖面為主
 The plastic tolerance is just for your reference; all the measurements and dimensions are according to the "DATA SHEET" issued by PINGOOD.

MATERIAL: N66 V2 or EQUIVALENT
 COLOR: BLACK



品固企業股份有限公司
 品基電子(東莞)有限公司
 蘇州品基電子科技有限公司
 鑽隆有限公司
 PINGOOD ENTERPRISE CO.,LTD.

PART NAME:

LED座
 LED HOUSING

A
 SIZE

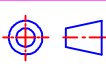
VERSION

3A

PART NO:

4LEL-6A

SHEET 1 OF 1



UNIT SCALE
 mm